

SERVICE TECHNICAL INFORMATION

ONE POINT REPAIR

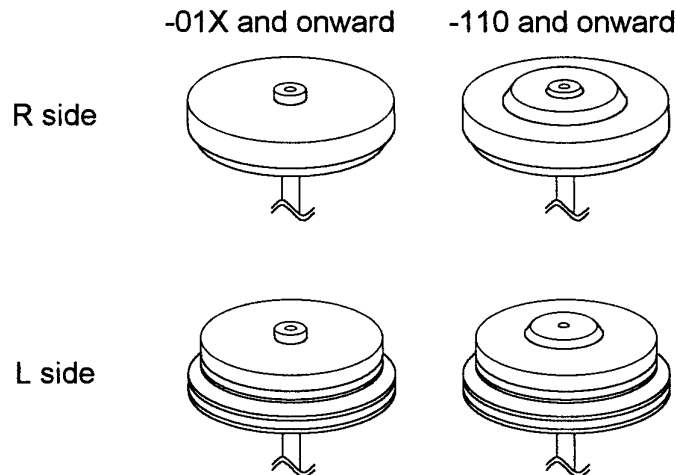
UTSUNOMIYA, JANUARY 17, 1999
 REF. NO.: SI-98-041
 CUSTOMER RELATIONS & SERVICE DIV.

MODEL : HS-JX869, 879, and 8000

SUBJECT : Compatibility of flywheels

DESCRIPTION : Some units employed flywheels which are different from ones specified by the service manual. Flywheels which have part numbers ending with "-01X" have no compatibility with later ones, which have part numbers ending with "-110" and onward.

REMEDIES : Study the following figures and use appropriate flywheels on each unit.



Ref.	Part Name	Part No.	Remarks
	FLY-WHL,ASSY L M-6 REC FLY-WHL,ASSY R M-6 REC	87-ZM6-224-110 87-ZM6-220-210	L side flywheel (specified by the service manual) R side flywheel (specified by the service manual)
	FW,REC L ASSY FW,REC R ASSY	87-ZM6-224-01X 87-ZM6-220-01X	L-side flywheel ("-01X" part number) R-side flywheel ("-01X" part number)

The parts specified above cannot be substituted by any other parts.