

SERVICE TECHNICAL INFORMATION

ONE POINT REPAIR

UTSUNOMIYA, FEBRUARY 28, 1996

REF. NO. : SI-95-055

CUSTOMER RELATIONS & SERVICE DIV.

MODEL : CA-DW700M / DW710M / NSX-E7M
SUBJECT : Measures to prevent locking of the CD mechanism
SYMPTOM : The mechanism becomes locked due to slippage of the 7-CD changer gear position. To prevent the mechanism from locking, perform the remedy described below.

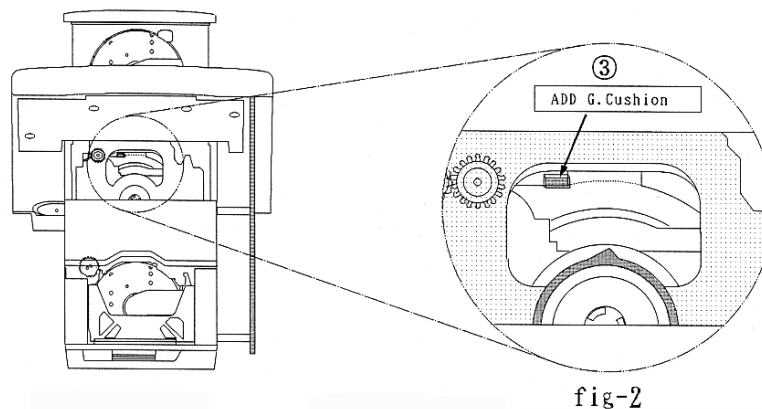
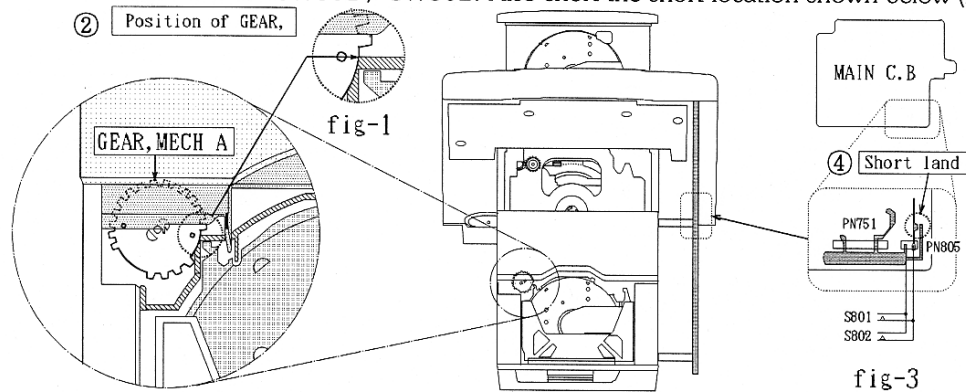
REMEDY : **Method**

- ① Remove the rear cabinet.
- ② Check the position of GEAR, MECH A (chucking condition).
If there is slippage, adjust the position as shown below (fig-1).
- ③ Open TRAY L. Add a G • cushion to the position shown below (fig-2).
(with TRAY, DISC not in the chucking position)

Confirmation

- ④ After reset operations (press the POWER button while holding down the CLEAR button), turn on the power and confirm that CD initialization operations (tray disc search • about 80 sec.) are normal.

Note: When performing this remedy with the rear cabinet removed, short the inclination detection switch SW801 / SW802. Also short the short location shown below (fig-3).



* Add a [K] mark to the end of the serial number of each repaired set.

* Sets with a [K] mark stamped at the end of their serial numbers have already been repaired.

Part No.	Part Name	Ref. No.
84-ZG2-247-010	CUSH-G, 5-10-2.5	---