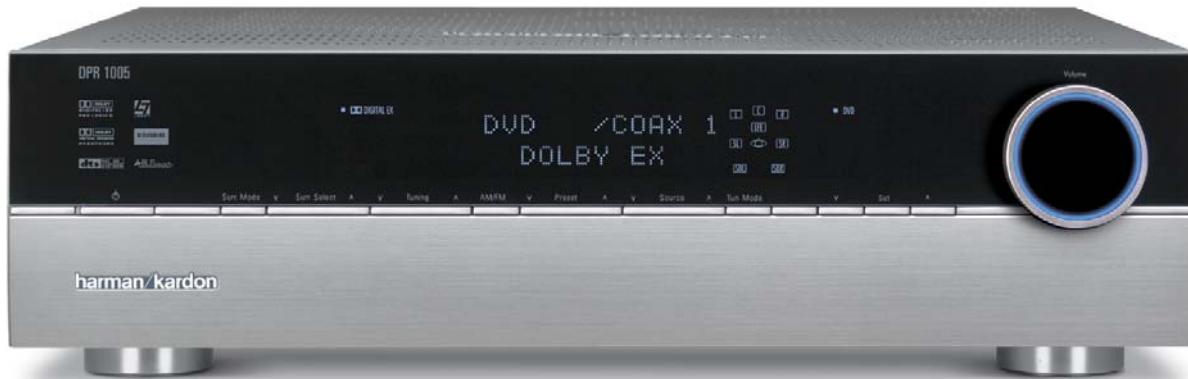


DPR 1005 - 2005 Digital Path Receiver Rev 2

SERVICE MANUAL



harman/kardon®

Power for the Digital Revolution®

Technical Specifications

Audio Section

Stereo Mode

Continuous Average Power (FTC)

120 Watts per channel, 20Hz–20kHz,

@ < 0.15% THD, both channels driven into 8 ohms

5/7 Channel Surround Modes

Power Per Individual Channel

Front L&R channels:

120 Watts per channel,

@ < 0.15% THD, 20Hz–20kHz into 8 ohms

Center channel:

120 Watts, @ < 0.15% THD, 20Hz–20kHz into 8 ohms

Surround (L & R Side, L & R Back) channels:

120 Watts per channel,

@ < 0.15% THD, 20Hz–20kHz into 8 ohms

Input Sensitivity/Impedance

Linear (High Level) 200mV/47kohms

Signal-to-Noise Ratio (IHF-A) 97dB

Surround System Adjacent Channel Separation

Analog Decoding 40dB

(Pro Logic, etc.)

Dolby Digital (AC-3) 55dB

DTS 55dB

FM Tuner Section

Frequency Range 87.5–108MHz

Usable Sensitivity IHF 1.3 μ V/13.2dBf

Signal-to-Noise Ratio Mono/Stereo: 70/68dB (DIN)

Distortion Mono/Stereo: 0.2/0.3%

Stereo Separation 40dB @ 1kHz

Selectivity \pm 400kHz: 70dB

Image Rejection 80dB

IF Rejection 90dB

AM Tuner Section

Frequency Range 520–1710kHz

Signal-to-Noise Ratio 45dB

Usable Sensitivity Loop: 500 μ V

Distortion 1kHz, 50% Mod: 0.8%

Selectivity \pm 10kHz: 30dB

Video Section

Video Format PAL/NTSC

Input Level/Impedance 1Vp-p/75 ohms

Output Level/Impedance 1Vp-p/75 ohms

Video Frequency Response (Composite and S-Video) 10Hz–8MHz (–3dB)

Video Frequency Response (Component) 10Hz–50MHz (–3dB)

General

Power Requirement AC 220–240V/50Hz

Power Consumption 59W idle, 1073W maximum (7 channels driven)

Dimensions (Max)

Width 440mm

Height 114mm

Depth 476mm

Weight 10.5 kg

Depth measurement includes knobs, buttons and terminal connections.

Height measurement includes feet and chassis.

All features and specifications are subject to change without notice.

Harman Kardon and Power for the Digital Revolution are registered trademarks of Harman International Industries, Incorporated.

IIIzSet™ is a trademark of Harman International Industries, Inc. (Patent No. 5,386,478).

*Manufactured under license from Dolby Laboratories.

"Dolby," "Pro Logic," "Pro Logic II" and the Double-D symbol are trademarks of Dolby Laboratories. Confidential Unpublished Works. ©1992–1999 Dolby Laboratories, Inc. All rights reserved.

DTS and DTS Surround, DTS-ES and DTS Neo:6 are trademarks of Digital Theater Systems, Inc.

VMAx is a trademark of Harman International Industries, Inc., and is an implementation of Cooper Bauck Transaural Stereo under patent license.

Logic 7 is a registered trademark of Harman International Industries, Incorporated.

HDCD is a registered trademark of Pacific Microsonics, Inc.

A-BUS and A-BUS Ready are registered trademarks of Leisure Tech Electronics Pty Ltd Australia.

**Without input anti slewing and output isolation networks.

TiVo is a registered trademark of TiVo, Inc.

Replay TV is a registered trademark of Digital Networks North America, Inc.

Technical Specifications

Audio Section

Stereo Mode

Continuous Average Power (FTC)

70 Watts per channel, 20Hz–20kHz,
@ < 0.15% THD, both channels driven into 8 ohms

5/7 Channel Surround Modes

Power Per Individual Channel

Front L&R channels:
70 Watts per channel,
@ < 0.15% THD, 20Hz–20kHz into 8 ohms

Center channel:
70 Watts, @ < 0.15% THD, 20Hz–20kHz into 8 ohms

Surround (L & R Side, L & R Back) channels:
70 Watts per channel,
@ < 0.15% THD, 20Hz–20kHz into 8 ohms

Input Sensitivity/Impedance

Linear (High Level) 200mV/47kohms

Signal-to-Noise Ratio (IHF-A) 97dB

Surround System Adjacent Channel Separation

Analog Decoding 40dB
(Pro Logic, etc.)

Dolby Digital (AC-3) 55dB

DTS 55dB

FM Tuner Section

Frequency Range 87.5–108MHz
Usable Sensitivity IHF 1.3 μ V/13.2dBf
Signal-to-Noise Ratio Mono/Stereo: 70/68dB (DIN)
Distortion Mono/Stereo: 0.2/0.3%
Stereo Separation 40dB @ 1kHz
Selectivity \pm 400kHz: 70dB
Image Rejection 80dB
IF Rejection 90dB

AM Tuner Section

Frequency Range 520–1710kHz
Signal-to-Noise Ratio 45dB
Usable Sensitivity Loop: 500 μ V
Distortion 1kHz, 50% Mod: 0.8%
Selectivity \pm 10kHz: 30dB

Video Section

Video Format PAL/NTSC
Input Level/Impedance 1Vp-p/75 ohms
Output Level/Impedance 1Vp-p/75 ohms
Video Frequency Response (Composite and S-Video) 10Hz–8MHz (–3dB)
Video Frequency Response (Component) 10Hz–50MHz (–3dB)

General

Power Requirement AC 220-240V/50Hz
Power Consumption 52W idle, 760W maximum
(7 channels driven)

Dimensions (Max)

Width 440mm
Height 114mm
Depth 476mm
Weight 9.1 kg

Depth measurement includes knobs, buttons and terminal connections.

Height measurement includes feet and chassis.

All features and specifications are subject to change without notice.

Harman Kardon and Power for the Digital Revolution are registered trademarks of Harman International Industries, Incorporated.

IIIeZet™ is a trademark of Harman International Industries, Inc.
(Patent No. 5,386,478).

*Manufactured under license from Dolby Laboratories.

"Dolby," "Pro Logic," "Pro Logic II" and the Double-D symbol are trademarks of Dolby Laboratories. Confidential Unpublished Works. ©1992–1999 Dolby Laboratories, Inc. All rights reserved.

DTS and DTS Surround, DTS-ES and DTS Neo:6 are trademarks of Digital Theater Systems, Inc.

VMAx is a trademark of Harman International Industries, Inc., and is an implementation of Cooper Bauck Transaural Stereo under patent license.

Logic 7 is a registered trademark of Harman International Industries, Incorporated.

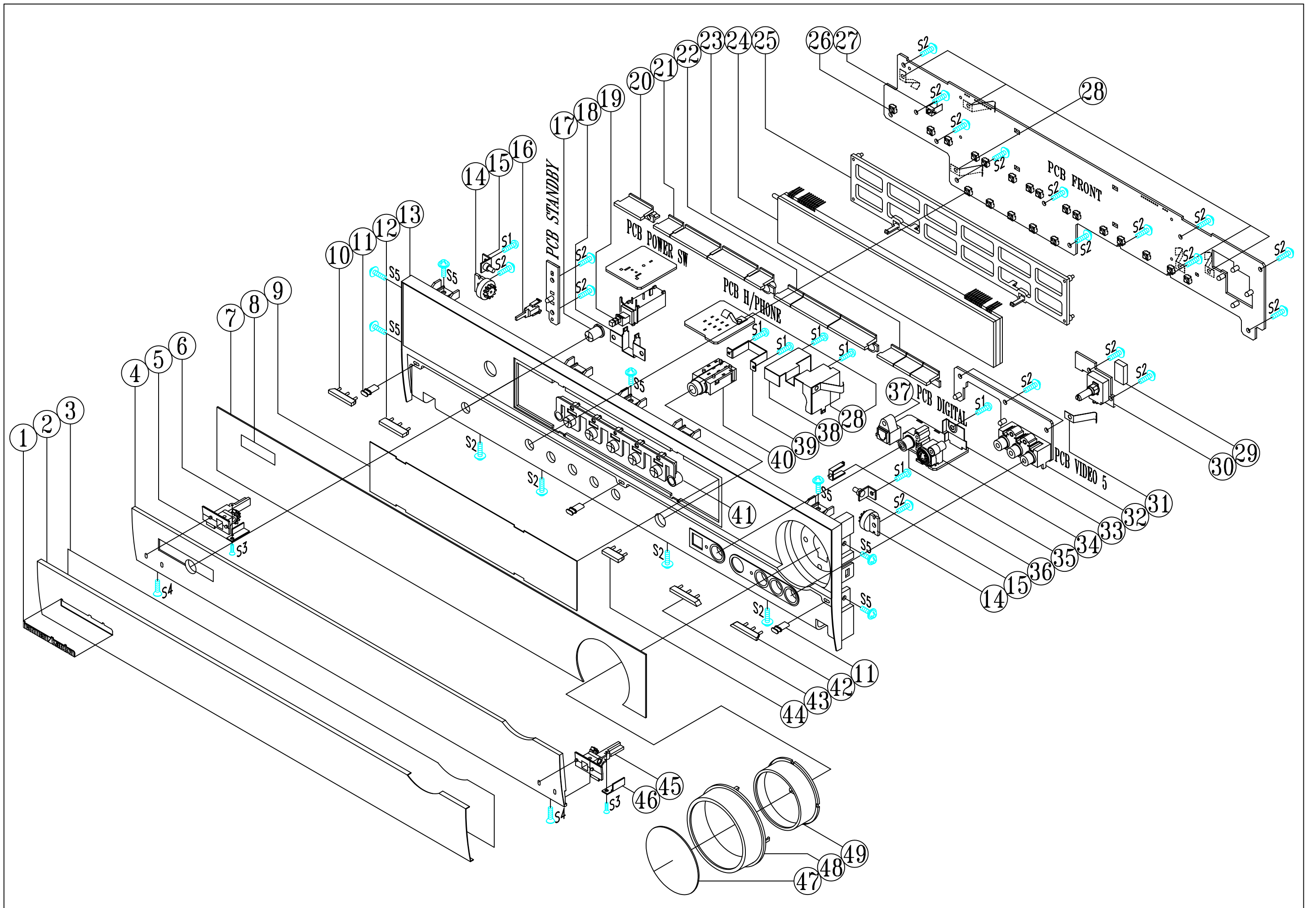
HDCD is a registered trademark of Pacific Microsonics, Inc.

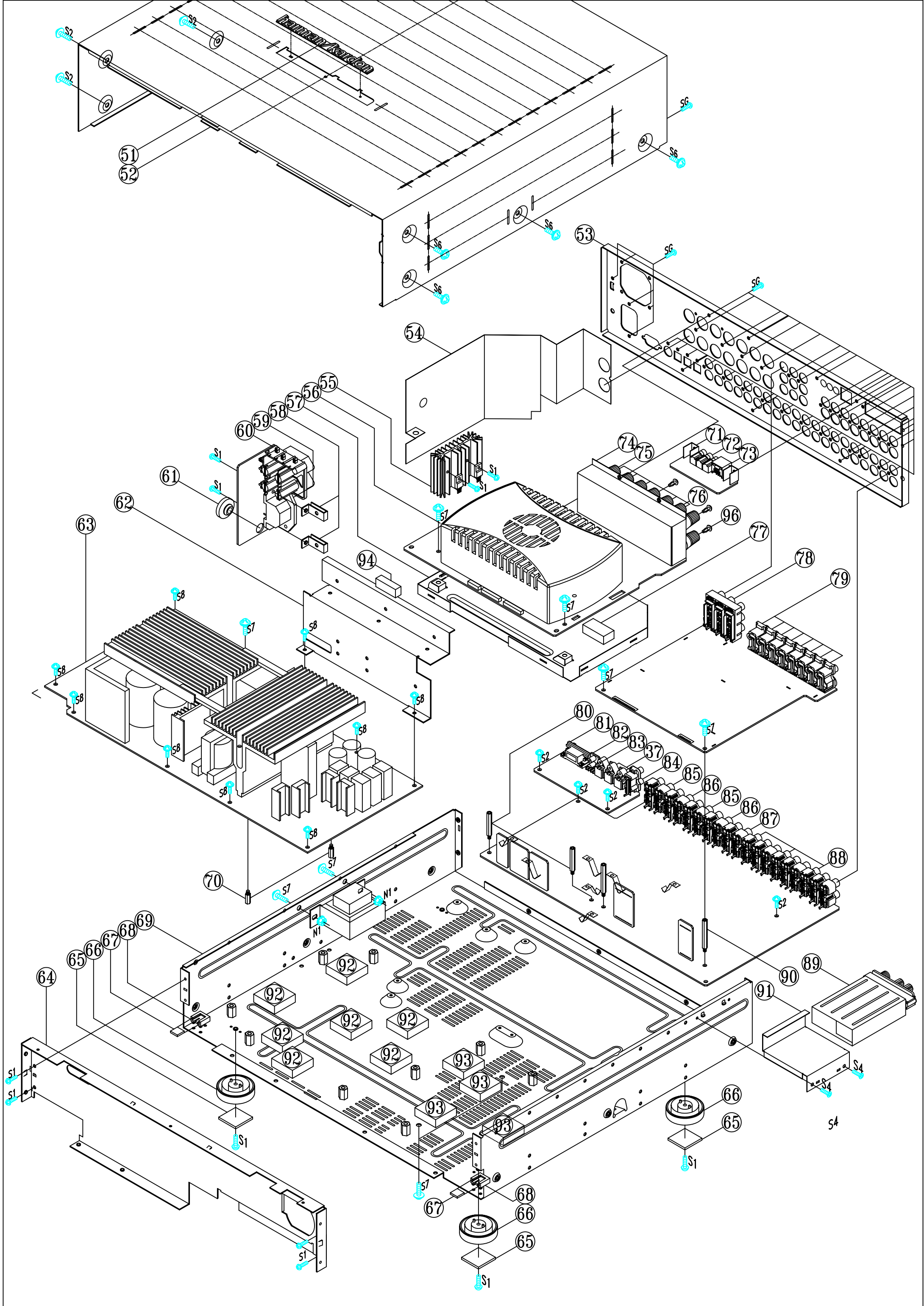
A-BUS and A-BUS Ready are registered trademarks of Leisure Tech Electronics Pty Ltd Australia.

**Without input anti slewing and output isolation networks.

TiVo is a registered trademark of TiVo, Inc.

Replay TV is a registered trademark of Digital Networks North America, Inc.





NO	PART NO.	DESCRIPTION	Q'TY
1	H01-ZMC12S20A00	AL BADGE HARMAN/KARDON SILVER	1
2	H01-ZMD03S00300-8	AL PANEL DOOR	1
3	H01-ZVD03DWT434-7	TAPE AL PANEL DOOR	1
4	H01-ZMD03S00200-6	AL DOOR	1
5	H01-ZMD03S05A00-8	BKT MAGNET LEFT	1
6	H01-ZPD0320GABK-8	DOOR HINGE-LEFT	1
7	H01-ZPD0619GABT-A	WINDOW DISPLAY DPR1005EU	1
	H01-ZPD0719GABT-8	WINDOW DISPLAY DPR2005EU	1
8	ZKC1270HA00	LABEL "PLEASE"	1
9	H01-ZPC1018GART-7	FILTER VFD	1
10	H01-ZPD0301GASG	BTN DUMMY -1	1
11	ZFNR10803GY	DOOR RUBBER	3
12	H01-ZPD0302GASG	BTN DUMMY -2	1
13	H01-ZPD0312GAGY-A	PANEL FRONT DPR1005	1
	H01-ZPD0412GAGY-8	PANEL FRONT DPR2005	1
14	H01-ZVD03GEAR01-5	DAMPER GEAR DP102	2
15	H01-ZMD03S04A00-7	BKT HINGE	2
16	H01-ZPD0314GAMW-5	INDICATOR STANBY	1
17	ZPD0303GAGY-8	BTN POWER	1
18	H01-ZMD03S09A00-1	BKT SHIELD POWER	1
19	H01-SWE4A21PDA%-5	SW POWER SDKVB10100 5A 250V 4P	1
20	H01-ZPD0306GAGY-3	BTN 1 KEY	1
21	H01-ZPD0307GAGY-1	BTN 4KEY	1
22	H01-ZPD0310GAGY-3	BTN 3 KEY-A	1
23	H01-ZPD0308GAGY-A	BTN 3KEY-B	1
24	H01-VDHCA18LL03-7	FL HCA-18LL03 Display	1
25	ZPC1017GABK	HOLDER VFD AVR430/630	1
26	H01-SWP1280APS1-8	SW TACH JTP1280AP	20
27	H01-ICRPM6938NN	IC-REMOTE RPM6938-RSIP-A3 RECEIVER 38KHZ	1
28	H01-ZMB01S02200	SPRING PLATE GND C5212 0.2T	14
29	ZUD040916BK-A	SPONGE VOLUMN	1
30	H01-SWE3A0505S1	VR ROT EC16B24204 5V 500U0A 10T 3P 0 0	1
31	H01-ZMD03S19A00	SPRING-A PLATE	1
32	H01-SORA3W019NN-9	JACK RCA 3P JC03W0191N	1
33	H01-ZMD03S03A00	BKT JACK	1
34	H01-SORAC5016NN-5	JACK S-VIDEO C50160272N	1
35	H01-SORA1JE01NN-0	JACK RCA 1P JE010003MN GND OR	1
36	H01-ZPD0318GAMW-8	INDICATOR VIDEO	2
37	H01-SOTOR179LBA-0	JACK D-LEM TORX-179L	3
38	H01-ZMD03S18A00	BKTSHIELD DIGITAL	1
39	H01-ZMB01S00100	BKT HEADPHONE JACK	1
40	H01-SOSS9CKX3NN-9	JACK PHONE 6.35 H70980110S 9P BK	1
41	H01-ZPD0309GAGY-8	BTN 5KEY	1
42	H01-ZPD0305GASG-2	BTN DUMMY-5	1
43	H01-ZPD0304GASG-4	BTN DUMMY-4	1
44	H01-ZPD0303GASG-6	BTN DUMMY -3	1
45	H01-ZPD0321GABK-6	DOOR HINGE-RIGHT	1
47	H01-ZMD03S05B00-A	BKT MAGNET RIGHT	1
47	H01-ZPD0317GACR-4	KNOB VOLUMN CAP	1
48	H01-ZPD0316GASG-A	KNOB COVER	1
49	H01-ZPD0315GAMW-3	KNOB VOLUMN	1
50		BLANK	
51	H01-ZMGEN00GAGY-0	AL LOGO BADGE TOP	1
52	H01-ZMD03S08A00-0	COVER TOP	1
53	H01-ZMD06S11A00-7	PANEL REAR DPR1005 EU	1
	H01-ZMD07S11A00-5	PANEL REAR DPR2005 EU	1
54	H01-ZMD03S10A00	SHIELD AMP DPR2005	1
55	H01-ZMD04HS0400	HEATSINK AMP	1
56	H01-ZVD03007000-A	ASS'Y AMP MODULE GR0070-7	1
	H01-ZVD04012000-1	ASS'Y AMP MODULE GR0120-7	1
57	H01-ZMD03S21A00	BKT SHIELD AMP DPR2005	1
58	H01-ZMC12S19A00	BKT AC INLET	2

NO	PART NO.	DESCRIPTION	Q'TY
59	H01-SOXA27014NN-9	JACK A/C INLET 7014-NGP AC05-4S020A	1
60	H01-SOPA20019BK-A	JACK AC OUTLET 2P 220V FE 19MM2 BK 0 0	1
61	ZFNRB228700	POWER RUBBER	1
62	H01-ZMD03S02A00	BKT MIDDLE	1
63	H01-ZVD06701301-1	SMPS ASS'Y SMPS KJP-7013 70W-EU	1
	H01-ZVD07013E00-5	SMPS ASS'Y SMPS KJP-10013 120W-EU	1
64	H01-ZMD03S07A00-A	CH FRONT	1
65	ZFNR19720SB-5	FOOT RUBBER 19.7X19.7X2T BK	4
66	ZPC1103GAGY-A	FOOT 50MM 15.8MM	4
67	H01-ZMD03MAGN00-2	MAGNET	2
68	H01-ZPD0313GAGY-8	MAGNET CASE	2
69	H01-ZMD03S13A00	CH MAIN	1
70	H01-ZMD03S04AYE-5	STUD-3 H 11MM	2
71	H01-ZMC12S16A00	BKT GROUND	2
72	H01-SOJW2350SNN-A	JACK PHONE 3.6 EP-1401A 1P BK	3
73	S00A18P8CNN-7	JACK-TELE SNAP-IN GOLDEN TELECOM GDL1-8P8C 8T BK 0 0	1
74	H01-ZMD03S20A00	SHIELD VIDEO TERMINAL	1
75	H01-SOPA81900NN-8	JACK TERMINAL SPKR 8P SH081136JP FE 19MM 8 -- 0 0	1
76	H01-SOPA619BKNN-7	JACK TERMINAL SPKR 6P SH0611708P FE 19MM 6 BK 0 0	1
77	ZUC1203AABK	SPONGE 15X30X8T BK	2
78	H01-SORA90173NN-6	JACK RCA 9P JB090173FN	1
79	H01-SORA11Y00NN-5	JACK RCA+S VIDEO C5016031DN	8
80	H01-ZMD03S05AYE	STUD STANDOFF HEX M4X0.7 6X27.5H	2
81	SOPA96063NN-0	JACK D-SUB 9P 87204-6063 W/DUST COVER BK	1
82	H01-SORA1J440CE-0	JACK RCA 1P PPJ-440CE	1
83	H01-SOTOT179LBA-7	JACK D-LEM TOTX-179L	1
84	H01-SORA20130JN-9	JACK RCA 2P JB020130JN	1
85	H01-SORA40RSANN-6	JACK RCA 4P JB040131ZN GN BN PP TA	2
86	H01-SORA40RSCNN-A	JACK RCA 4P JB040131QN WH BU RD GY	2
87	H01-SORA40GNDNN-7	JACK RCA 4P JB040131PN WWRR	1
88	H01-SOPA81900NN-8	JACK RCA 6P JB060132PN	3
89	H01-ZVD06TUNE00-3	TUNER MODULE KST-MV114MA1-83	1
90	H01-ZMD03S03AYE	STUD-1 H34MM	2
91	H01-ZMD04S12A00	SHIELD TUNER DPR2005	1
92	H01-ZUD0301AABK-A	SPONGE UL	7
93	ZUC1201AABK-7	SPONGE 30X30X10T BK	4
94	ZQB0101AA00	SHIELD FOAM GASKET (WOORI)	1
95	H01-RLHMCRE2500	HMC REACTOR	1
96	H01-ZPC1219ZABK-2	SPEAKER TER'BOARD SH08M790B0	14

NO	PART NO.	DESCRIPTION	Q'TY
S1	ZSTBM3010BB	SCREW ST BH 3X10	22
S2	ZSTWM3008BY	SCREW ST WPH 3X8	32
S3	ZSTPM2006BZ	SCREW S-TPG,WASHER 4.8MM,2.0X6,ZI-PLATED	2
S4	ZSTFM0308BN	SCREW S.T 3X8 F/H NI PLATED	4
S5	ZSTWM3006BY	SCREW S.T 3X6 W/H YELLOW ZINC PLATED	7
S6	ZSTWM4008BC	SCREW ST WPH 4X8 SILVER CHROM	8
S7	ZSMWM4008BZ	SCREW M.S M4X8 W/H ZN PLATED	8
S8	ZSMWM3008BZ	SCREW M.S M3X8 W/H ZN PLATED	10
SG	ZSTGM3010BB	SCREW ST BH 3X10 GROUND	49
N1	ZNSSM4045HZ	NUT M4 HEXAGON CIRCULAR EXTERNAL	2

AMP section	DPR1005-2005/230	1/2
Location	Description	Part number
C37	CE 470U0F M 63.0V 12.5X20 SHL	H01-CEHJA0477MN-5
C16 18 19 21	CAP ELEC 2200UF 63V M SHL SAMYOUNG	H01-CEMJA0228AH-3
D2	DIODE SCHOTTKY SB360 60V 3A DO-201AD	H01-DRSB36060NA-1
IC1	IC VOLTAGE REGULATOR KIA7808AP TO-220AB	H03-ICKIA7808I2-8
IC2	IC POWER CONVERTER LM2593HVT-ADJ TA07B	H01-ICLMO259307-1
L1	COIL CHOKE 190UH TOROIDAL	H01-LCNN18190NA-4
L11 12	TFPULSE TRANSFORMER 110UH FP-110 FERRIT MAGNET	H01-LF11030A2NA-4
SK2	RELAYPWR 5.0V 166.0OHM 1.0A 24.0V	H01-RLLO516632B-A
NJ3	CONN-SPE TERMINAL SPKR 6P SH0611708P FE 19MM 6 BK 0 0	H01-SOPA619BKNN-7
NJ2	CONN-SPE TERMINAL SPKR 8P SH081136JP FE 19MM 8 -- 0 0	H01-SOPA81900NN-8
NJ8	JACK RCA 1P PPJ-440CE	H01-SORA1J440CE-0
NJ71	JACK RCA 1P JE010003MN GND OR	H01-SORA1JE01NN-0
NJ9	JACK RCA 2P JB020130JN	H01-SORA20130JN-9
NJ72	JACK S-VIDEO C50160272N	H01-SORAC5016NN-5
NJ10 11 70	D-LEM TORX-179L	H01-SOTOR179LBA-0
NJ12	D-LEM TOTX-179L	H01-SOTOT179LBA-7
N1	WIRE ASS'Y UL1007#24 STR 530mm 2.5mm 2P GRY	H01-WG02SD85300-4
N2	WIRE ASS'Y UL1007#16 STR 460mm 3.96mm 8P RED	H01-WG08SE84600-1
P3	CONN 2.0MM 2 MA ST NAT GT201-2P-TS	H01-WN02SB00000-9
P5 P701	CONN 2.0MM 3 MA ST NAT GT201-3P-TS	H01-WN03SB00000-6
N5	CONN 2.0MM 5 MA ST NAT GT201-5P-TS	H01-WN05SB00000-0
P4	CNT PLUG BD'BD SOCKET 2.0mm 35237-0610	H01-WN06AB00001-4
P6 7	CONN 2.0MM 11 MA R NAT SOCKET MOLEX 35237-1110 0 0	H01-WN11AB00000-0
N700	WIRE ASS'Y UL1007/1533 #26 980MM 2.0MM 5P RED SHI	H01-WS5269805EN-A
N4	WIRE ASS'Y 7P 180MM UL1007/1533#26 BLK	H01-WS7261843EN-A
N3	WIRE ASS'Y 13P 170MM UL1533/1007 #26 2.0MM RED SHIELD	H01-WSC261705EN-8
FG96	SPRING PLATE GND C5212 0.2T	H01-ZMB01S02200-9
BK71	SHIELD DIGITAL	H01-ZMD03S18A00-9
SH1	SHIELD VIDEO	H01-ZMD03S20A00-A
HS1	HEATSINK AMP	H01-ZMD04HS0400-4
AMP1	ASS'Y AMP MODULE GR0120-7	H01-ZVD04012000-1
NJ55	JACK D-SUB 9P 87204-6063 W/DUST COVER BK	SOPA96063NN-0
L7	BEAD CORE H610-04	H03-FBOH61004NN-8
L3 4 5 700	LF 47U0H +10% 5.8 OHM 500MIOA	H01-LAINB0470CR-2
D1 3 4 5 7	D-SR 1N4004 400.0V 1.0A	H01-DR1N04004NA-1
	PCB DUAL DPR2005 AMP 233.9MM*219MM *1.6t FR-4	PBD04KAMB20-A
D8	DIODE SCHOTTKY RECTION 1N5819 40V 1A DO-41	H01-DR1N05819NA-6
C408 412 418	CCCFMIC 22P0F +5% -5% 50.0V NP0 0603	CZJII0220BE-5
C407 411 420	CAP CHIP 10N0F +10% -10% 50.0V X7R 0603	CZKI0103BC-5
C38	CAP CHIP 3N3F +10% -10% 50.0V X7R 0603	CZKI0332BC-1
C22 23 24 25 28 29 32 33 34 35 36 396 404 413 416 423 424 437 43 47 48 49 50 700	CAP CHIP 100N0F +80% -20% 16.0V Y5V 0603	CZZFI0104BF-8
C15 17 20 31	CAP CHIP 100NF 100V X7R 10% 1206	CZIKI0104DC-3
D9	D-SLP 1SS355 35.0V 225MIOA	H01-DS1S50094NB-A
C1 10 11 12 13 14 2 3 4 5 6 7 8 9	CAP CHIP 470PF 100V X7R 10% 1206	CZIKI0471DC-9
B10 11 12 13 17	FBEAD SURFACE MT 2500OHM FCM2012H-252T02	H01-FB2K52012NN-5
L2 6	FBEAD SURFACE MT 300OHM FCM2012V-301T07	H01-FB3002012NN-4
IC3 47 49	IC-LOGIC M74HCU04M1R INVERTER HCT	H01-ICM74H04MD4-2
IC43	IC-SPECFUNC UPD4721 DRIVERS/RECEIVERS CMOS RS-232C	H01-ICUPD4721D8-3
Q3 4 5 26	TR-SSD DTC114YKA N 10K0 OHM 47K0 OHM	H01-TRDTC114YNI-5
R11 12 13 14	RES,CHIP,1K,1/8W,+/-5%,0805	RS3CB0102NN-8
R16 17 420 438	RMGCFMIC 10R0 OHM +5% 62MI5W	RS3AD0100NA-7
R422 425 437	RMGCFMIC 100R0 OHM +5% 62MI5W	RS3AD0101NA-5
R4 5 8 701	RMGCFMIC 1K0 OHM +5% 62MI5W	RS3AD0102NA-3
R484 15 493	RES CHIP,15K 1/16W,+/-5%,0603.	RS3AD0153NA-8
R445	RMGCFMIC 2R2 OHM +5% 62MI5W	RS3AD022ANA-7
R483 487 6	RMGCFMIC 1K2 OHM +5% 62MI5W	RS3AD0122NA-8
R1 2 19	RMGCFMIC 4K3 OHM +5% 62MI5W	RS3AD0432NA-4
R392 393 7	RMGCFMIC 4K7 OHM +5% 62MI5W	RS3AD0472NA-3
R20	RMGCFMIC 10K0 OHM +5% 62MI5W	RS3AD0103NA-1

AMP section	DPR1005-2005/230	2/2
Location	Description	Part number
R423 426 429 442 435	RMGCFMIC 560R0 OHM +5% 62MI5W	RS3AD0561NA-4
R424 436	RMGCFMIC 620R0 OHM +5% 62MI5W	RS3AD0621NA-1
R10	RMGCFMIC 510R0 OHM +5% 62MI5W	RS3AD0511NA-8
R428 432 439	RMGCFMIC 75R0 OHM +5% 62MI5W	RS3AD0750NA-1
D6	DIODE BAT54 SMALL SIGNAL SOT-23	H01-DSBAT0054NB-7
R9	RMGCFMIC 8K2 OHM +5% 62MI5W	RS3AD0822NA-2
C702 703	DIODE PG05GBUSC	H03-DS05GBUSCNB-5
R21	RMGCFMIC 220R0 OHM +5% 62MI5W	RS3AD0221NA-6
C46	CCCFMIC 10P0F +0P5F -0P5F 50.0V NP0 0603	CZEI0100BE-0
C704	CE 100UF +20% 16V D6.3XL7 P2.5MM 2000hours 85C	CEHFC01072S-9
C397 403 27 41 42	CE 100UF +20% 16.0V D6.3XL11 P5MM 85C	CEHFC01075E-1
C392 393 394 395 401	CE 1UF +20% 50V D5XL11 P5MM 85C	CEHIC01055E-6
C40	CE 470UF 25V M 10X16 NXB	H01-CEMGC0477AH-7
C30 39	CAP ELEC 220UF 16V M5X11 ELITE	CEMFC0227NN-7
FRONT section	DPR1005-2005/230	1/2
Location	Description	Part number
D902 903 904 905	D-LEM 30B3-20-15 GaN SUPER BLUE WATER CLEAR 15	H01-DL30B2015AA-A
RM90	IC-REMOTE RPM6938-RSIP-A3 RECEIVER 38KHZ	H01-ICRPM6938NN-3
NJ80	JACK PHONE 6.35 H70980110S 9P BK	H01-SOSS9CKX3NN-9
VR60	SWIROT EC16B24204 5V 500U0A 10T 3P 0 0	H01-SWE3A0505S1-9
W601	WIRE ASS'Y UL1007 #22 TC 40MM 1P BLK	H01-WC1220405C1-9
DP90	FL HCA-18LL03 DISPLAY	H01-VDHCA18LL03-7
NJ60	JACK RCA 3P JC03W0191N	H01-SORA3W019NN-9
P819	CNT PLUG BD'BD SOCKET 2.0mm 35237-0610	H01-WN06AB00001-4
P818	CNT PLUG BD'BD PLUG 2.0mm 35336-0610 6P	H01-WN06SB01000-9
P811	CONNECT WAFER 2.0MM 8P 35237-0810 WHT	H01-WN08AB100WH-7
P810	CONNECT WFER 2.0MM 8P 35336-0810 WHT	H01-WN08SB100WH-4
N900	WIRE ASS'Y 11P 420MM UL1007#20 2.5MM STR	H01-WG11SD84220-6
N901	WIRE ASS'Y UL1007#26 STR 90MM 2.0MM 3P RED-UP	H01-WG03AB809UP-A
P815 817	CONN 2.0MM 11 MA R NAT SOCKET MOLEX 35237-1110 0 0	H01-WN11AB00000-0
P814 816	CONN 2.0MM 11P MA ST NAT MOLEX 35336-1110 0 0	H01-WN11SB00000-8
P813	CONN WAFER 2.0MM 12P 35237-1210 WHT	H01-WN12AB00000-8
P812	CONN WAFER 2.0MM 12P 35336-1210 WHT	H01-WN12SB100WH-7
P900	CONNECTOR FFC 17P 1.25MM ANG SCB-1017-00-2	H01-WN17AI00000-8
H901	HOLDER VFD AVR430/630	ZPC1017GABK-6
N902	WIRE ASS'Y 2.0MM 3P 50MM UL1007#26 RED	H01-WG03SB80500-2
N602	WIRE ASS'Y 2.0MM 3P 70MM UL1007#26 RED	H01-WG03SB80700-6
N601	WIRE ASS'Y UL1007/1533 #26 480MM 2.0MM 13P RED SHIELD	H01-WSC264805EN-3
FG93	SPRING-A PLATE	H01-ZMD03S19A00-A
N800	WIRE ASS'Y UL1007/2547 #26 580MM 2.0MM 4P RED	H01-WS4265805FN-A
D830	D-LEM BLUE/AMBER 3PIE RD RND CL L-3VYMBC	H01-DL3BA05V0BA-2
D600 605	D-LEM RED/GREEN 3F RD RND CL	H01-DLRED3FRDBA-5
FG81 90 91 94 97	SPRING PLATE GND C5212 0.2T	H01-ZMB01S02200-9
R906 907	RCF 470R0 OHM +5% 250MIOW	RC3DI04711N-0
L800 901	LF 47U0H +10% 5.8 OHM 500MIOA	H01-LAINB0470CR-2
	PCB SINGLE FRONT DPR2005 397MM*163MM*1.6t FR-4	PBD07KFCI20-A
R941 942	RCF 1R0 OHM +5% 250MIOW	RC3DI010AIN-1
L900	LF 4U7H +10% 1.7 OHM 190.0A	H01-LAINB047ACR-3
C803 907 501 502 503 504	CC 100N0F +80% -20% 50.0V F	CCZID0104NA-2
L911 912	BEAD AXIAL/TAP,HC3580 80.5ohm	H03-FB05B3580NN-7
C505 506	CC 680P0F +10% -10% 50.0V 2B4	CCKID0681NN-3
C911	CE47UF +20% 16.0V D5XL11 P5MM 85C	CEHFC04765E-3
C900 901	CPF 47N0F +10% 100.0V	CPIKC0473NN-0
S900 901 902 903 904 905 906 907 908 909 910 911 912 913 914 915 916 917 918 919	SWITCH TACH JTP1280AP	H01-SWP1280APS1-8
Q901	TR-SLPLF MP5A56 Y P -500MIOA -300V	H03-TRMP5A56YNA-0
C603 604 609 610	CCCFMIC 100P0F +5% -5% 50.0V NP0 0603	CZJII0101BE-2
C801 802	CAP CHIP 2N2F +10% -10% 50.0V X7R 0603	CZKII0222BC-8
C606 800 902 910 912 913	CAP CHIP 100N0F +80% -20% 16.0V Y5V 0603	CZZFI0104BF-8
C600 601	CAP CHIP 820P0F +10% -10% 50.0V X7R 0603	CZKII0821BC-8

FRONT section	DPR1005-2005/230	2/2
Location	Description	Part number
C908 909	CAP CHIP 22NOF +80% -20% 50.0V Y5V 0603	CZZI0223BF-1
D603 604 800 801 919	D-SLP 1SS355 35.0V 225MI0A	H01-DS1S50094NB-A
D918	D-ZENER UDZS 9.1B 9.1V 200MI0W	H01-DSUDZ09V1NB-7
B501 502	FBEAD SURFACE MT 300OHM FCM2012V-301T07	H01-FB3002012NN-4
Q600 601 602 603 900 902 905	TR-SSD DTC114YKA N 10K0 OHM 47K0 OHM	H01-TRDTC114YNI-5
R929 501	RMGCFMIC 10R0 OHM +5% 62MI5W	RS3AD0100NA-7
R939 940	RMGCFMIC 100R0 OHM +5% 62MI5W	RS3AD0101NA-5
R912 921 937	RMGCFMIC 1K0 OHM +5% 62MI5W	RS3AD0102NA-3
R913 922 610	RMGCFMIC 1K2 OHM +5% 62MI5W	RS3AD0122NA-8
R914 930	RMGCFMIC 1K5 OHM +5% 62MI5W	RS3AD0152NA-A
R943	RMGCFMIC 10K0 OHM +5% 62MI5W	RS3AD0103NA-1
R920 936	RMGCFMIC 18K0 OHM +5% 62MI5W	RS3AD0183NA-A
R901 923 924	RMGCFMIC 220R0 OHM +5% 62MI5W	RS3AD0221NA-6
R915 931	RMGCFMIC 2K2 OHM +5% 62MI5W	RS3AD0222NA-4
R800 801	RMGCFMIC 2R2 OHM +5% 62MI5W	RS3AD022ANA-7
R916 932	RMGCFMIC 2K7 OHM +5% 62MI5W	RS3AD0272NA-0
R917 933	RMGCFMIC 3K3 OHM +5% 62MI5W	RS3AD0332NA-8
R602 603 606 607	RMGCFMIC 390R0 OHM +5% 62MI5W	RS3AD0391NA-3
R600 601 604 605 608 609 925 926	RMGCFMIC 470R0 OHM +5% 62MI5W	RS3AD0471NA-5
R918 934	RMGCFMIC 5K6 OHM +5% 62MI5W	RS3AD0562NA-2
Q904	TR-SLPSWA KTD1304 N 20V 300MI0A SOT-23	H03-TRKTD1304ND-0
R910 911	RMGCFMIC 68K0 OHM +5% 62MI5W	RS3AD0683NA-1
R919 935	RMGCFMIC 8K2 OHM +5% 62MI5W	RS3AD0822NA-2
C605	CCCFMIC 33P0F +5% -5% 50.0V NP0 0603	CZJII0330BE-9
C510	CAP CHIP FORM,4P +-0.25P,50V,0603,C0G.	CSDIE040ABG-1
C602 R902 903 904 905 D601 602	RMGCFMIC 0 OHM +0% 62MI5W	RS3AD0000NA-0
PROCESSOR section	DPR1005-2005/230	1/5
Location	Description	Part number
	AC EMBD IMA PROCESSOR BD DPR2005EU	3SA-3154EU-POMI-1-2
C601	CC 100N0F +80% -20% 50.0V F	CCZID0104NA-2
C602	CE 10UF +20% 16V D4XL7 P2.5MM 2000hours 85C	CEHFC01062S-0
C437	CM 47MI0F +80% -20% 5.5V 70C	CEZXA0479MN-5
IC54	IC-KA78R08API TO-220IS-4PIN	H03-ICKA78R08I2-A
IC21	IC OP AMP NJM4556AD DIP8	H01-ICNJM4556B2-7
Y2	OSCILLATOR 12.288MHz 3.3V	H01-OSCEM12M2RU-9
Y1	CSTLS20MOX51-B0	H01-OSCN120MOCU-6
NJ1	JACK RCA 4P JB040131PN WWRR	H01-SORA40GNDNN-7
NJ16 6	JACK RCA 4P JB040131ZN GN BN PP TA	H01-SORA40RSANN-6
NJ15 5	JACK RCA 4P JB040131QN WH BU RD GY	H01-SORA40RSCNN-A
NJ2 3 4	JACK RCA 6P JB060132PN	H01-SORA64105NN-5
SW80	SWITCH POWER SDKVB10100 5A 250V 4P	H01-SWE4A21PDA%-5
W100	WIRE ASS'Y UL1007 #22 TC30MM 1P BLK	H01-WC1220305C1-0
P820	CONN 2.0MM 2 MA ST NAT GT201-2P-TS	H01-WN02SB00000-9
P821	CON 3.96MM PITCH HEADER 2 POS MOLEX 35328-0210	H01-WN02SE00000-6
P7	CONN 2.0MM 4 MA ST NAT GT201-4P-TS	H01-WN04SB00000-3
P13	CNT PLUG BD'BD PLUG 2.0mm 35336-0610 6P	H01-WN06SB01000-9
P10	CONN 2.0MM 7P GIL-S-7P-S2T2-EF	H01-WN07SB00001-9
P6	CONNECT WFER 2.0MM 8P 35336-0810 WHT	H01-WN08SB100WH-4
P4	CONNECT WAFER 2.5MM 10 5267-10A 10P WHT	H01-WN10SD100WH-0
P11 12	CONN 2.0MM 11P MA ST NAT MOLEX 35336-1110 0 0	H01-WN11SB00000-8
P5	CONN WAFER 2.0MM 12P 35336-1210 WHT	H01-WN12SB100WH-7
P9	CONN 2.0MM 13P GIL-S-13P-S2T2	H01-WN13SB00000-2
P14	CONN FFC 1.25MM SCB-1113-00-2 13P VER	H01-WN13SI00000-6
P3	CONN FFC 1.25MM 17P SCB-1117-00-2 VER	H01-WN17SI00000-5
N1	WIRE ASS'Y UL2547/1007#26 380MM 2.0MM 10P RED	H01-WS0263805FN-6
N2	WIRE ASS'Y 2.0MM 3P 210MM UL2547#26 RED STR	H01-WS3262105FN-9
FG1 2 3 4 6 7 8	SPRING PLATE GND C5212 0.2T	H01-ZMB01S02200-9
BK72	BRACKET SHIELD POWER	H01-ZMD03S09A00-1
L3 5 6	LF 4U7H +10% 1.7 OHM 190.0A	H01-LAINB047ACR-3
R20	RCF 2K2 OHM +5% 250MI0W	RC3DI0222IN-A

PROCESSOR section	DPR1005-2005/230	2/5
Location	Description	Part number
R431 440 500 509	RCF 180 OHM +5% 250MI0W	RC3DI0181IN-9
D15 16	D-SR 1N4004 400.0V 1.0A	H01-DR1N04004NA-1
L1 13	INDUCTOR COIL AL04TB470K 47UH 1.34OHM	H01-LA1340470NN-4
L7	D-SLP 1N4148 100.0V 150E-3A	H01-DG1N04148NB-4
C10 102 103 111 119 120 128 129 13 133 134 139 14 140 147 148 149 150 151 152 159 160 161 162 173 176 185 186 191 192 193 194 197 198 199 200 212 215 216 219 226 229 244 245 339 342 343 345 346 347 348 349 350 351 352 368 369 371 372 377 378 384 385 386 387 392 393 396 397 400 409 417 445 446 449 452 469 470 483 489 490 491 500 505 520 521 522 525 526 546 547 556 557 560 561 566 567 570 571 73 74 77 78 79 80 83 84 85 86 89 9 90 91 92 95 96 579	CE 10UF +20% 16V D4XL7 P2.5MM 2000hours 85C	CEHFC01062S-0
C122 131 136 138 177 20 203 21 27 277 280 281 293 294 3 323 324 353 424 456 461 463 464 468 473 475 482 494 495 501 508	CE 100UF +20% 16V D6.3XL7 P2.5MM 2000hours 85C	CEHFC01072S-9
C125 126 137 142 145 155 157 163 165 167 170 171 174 175 18 19 195 196 222 225 248 249 276 279 287 288 299 300 305 306 311 312 317 318 329 330 335 336 358 359 364 365 370 383 388 403 404 426 447 459 492 499 545 558 559 562 563 568 569 75 76 81 82 87 88 93 94	CE 47UF +20% 16V D5XL7 P2.5MM 2000hours 85C	CEHFC04762S-0
C523	CE 100NF +20% 50V SSE TYPE D4XL7 P2.5MM 85C	CEHIC01042S-5
C123 127 498	CE 1UF +20% 50V D5XL11 P5MM 85C	CEHIC01055E-6
C113 114 534	CE 2U2F +20% 50.0V 85C 5X11 SHL	H01-CEHIC0225AH-5
C830	CAP ELEC 22UF 16V M ELITE	CEMFC0226NN-9
Q38	TR-SLPLF MP5A06 N 500MIOA TO-92	H03-TRMP5A06NNA-A
C549	CE 100UF 16V M 5X11 SHL P2.5MM	H01-CEMFC0107MN-3
C573 574	CE 100UF 35V M 6.3X11	CEMHC0107NN-3
C550 551 552 553 575 576 577	CE 470UF 16V M 8X11.5 SHL	H01-CEMFC0477AH-A
C253 254	CE 330UF 16V M 8X11.5 SHL	H01-CEMFC0337NN-5
C1 100 164 166 168 169 178 2 201 202 206 207 211 213 214 217 218 220 221 223 230 231 232 233 236 237 241 242 250 251 255 259 29 30 31 32 33 34 35 36 37 38 389 39 399 40 405 41 410 419 42 43 438 439 440 44 45 46 47 472 477 48 485 49 50 509 51 512 511 513 514 52 527 53 539 54 55 56 57 58 59 60 61 62 63 64 65 66 67 68 69 70 71 72 97 98 99 587	CCCFMIC 100P0F +5% -5% 50.0V NP0 0603	CZJII0101BE-2
C106 107 108 109 11 110 118 12 15 16 183 184 189 190 22 23 240 243 269 270 420 423 548 564 565 572	CCCFMIC 33P0F +5% -5% 50.0V NP0 0603	CZJII0330BE-9
C421	CAP CHIP 1N2F +10% -10% 50.0V X7R 0603	CZKII0122BC-1
C143 144 156 158	CAP CHIP 2N7F +10% -10% 50.0V X7R 0603	CZKII0272BC-4
C141 146 153 154 394 395	CAP CHIP 560P0F +10% -10% 50.0V X7R 0603	CZKII0561BC-8
C130 135 204 205 208 209 210 224 24 246 247 25 252 256 257 26 260 261 262 263 264 265 266 271 272 28 425 427 428 429 430 431 433 434 435 436 441 442 443 444 448 450 451 453 454 455 457 471 474 479 480 481 497 5 502 504 510 517 518 519 524 528 530 531 533 537 554 555 818 907 908 915 916	CAP CHIP 100N0F +80% -20% 16.0V Y5V 0603	CZZFI0104BF-8
C411 414 416	CAP CHIP 10N0F +10% -10% 50.0V X7R 0603	CZKII0103BC-5
L12 17 2 22 28 30 4	FBEAD SURFACE MT 300OHM FCM2012V-301T07	H01-FB3002012NN-4
D1 2 4 5 14 25	D-SLP 1SS355 35.0V 225MIOA	H01-DS1S50094NB-A
IC9	IC-SWITCH TC9273F-004 SOP28 ANALOG SWITCH	H01-ICTC9273NDA-0
Q16 18 25 42 58 59	TR-SSD DTA114YKA P 10K0 OHM 47K0 OHM	H01-TRDTA114YNI-9
Q12 13 26 39 7 8	TR-SLPSWA KTD1304 N 20V 300MIOA SOT-23	H03-TRKTD1304ND-0

PROCESSOR section	DPR1005-2005/230	3/5
Location	Description	Part number
R632 638 641 642 653 656 659 660 692 693 696 699	RES CHIP 30K OHM 1/16W 1% 0603	RS1AD0303NA-9
C274 275 307 308 309 310 337 338 356 357 366 367	CAP CHIP, 270PF 50V +/-5% CH J 0603	CZJII0271BE-A
C586	CAP CHIP 1N0F +10% -10% 50.0V X7R 0603	CZKII0102BC-7
R443 513 592 594 595 596	RMGCFMIC 100R0 OHM +5% 62MI5W	RS3AD0101NA-5
R100 103 104 105 106 108 118 119 129 130 159 161 162 163 164 166 168 172 174 242 243 248 249 250 251 252 258 259 26 267 268 27 270 280 290 300 306 377 423 424 425 426 484 485 512 633 634 643 644 654 655 664 665 689 691 697 698	RMGCFMIC 1K0 OHM +5% 62MI5W	RS3AD0102NA-3
R107 111 112 236 276 277 287 288 289 291 301 302 303 304 314 315 316 321 337 341 342 343 354 355 356 357 373 374 375 464 466 473 474 527 528 580 589 8 9 624 651	RMGCFMIC 10K0 OHM +5% 62MI5W	RS3AD0103NA-1
R32 33 34 35 42 43 46 465 469 47 56 57 58 59 64 65 84 85 90 91	RMGCFMIC 100K0 OHM +5% 62MI5W	RS3AD0104NA-A
R12 13 136 137 147 148 328 329 339 340 370 378 432 433 451 460	RMGCFMIC 1K2 OHM +5% 62MI5W	RS3AD0122NA-8
R16 17 320 323 358 359 382 383	RMGCFMIC 150R0 OHM +5% 62MI5W	RS3AD0151NA-1
C289 290 297 298 319 320 327 328 375 376 379 382	CCCFMIC 180P0F +5% -5% 50.0V NPO 0603	CZJII0181BE-0
R603 604 611 613	RES CHIP,1.8K,1/16W,+5%,0603.	RS3AD0182NA-1
R216	RMGCFMIC 910 OHM +5% 62MI5W	RS3AD0911NA-3
R124 128 139 140 418 430 588	RMGCFMIC 2K2 OHM +5% 62MI5W	RS3AD0222NA-4
R177 178	RMGCFMIC 2K4 OHM +5% 62MI5W	RS3AD0242NA-9
R176 179 470 471	RMGCFMIC 3K9 OHM +5% 62MI5W	RS3AD0392NA-1
R415 526 534	RMGCFMIC 3K3 OHM +5% 62MI5W	RS3AD0332NA-8
R224 246 247 260 261 265 266 274 275 30 31 36 37 38 39 40 41 44 45 48 49 52 53 54 55 60 61 62 63 66 67 86 87	RMGCFMIC 470R0 OHM +5% 62MI5W	RS3AD0471NA-5
R167 2 229 4 5 529 530 531 549 570 571 673 675	RMGCFMIC 4K7 OHM +5% 62MI5W	RS3AD0472NA-3
R14 15 169 173 201 203 207 211 212 324 325 348 350 380 381 402 403 486 487 497 616	RMGCFMIC 47K0 OHM +5% 62MI5W	RS3AD0473NA-1
R171 175 223 278 279 312 313 322 326 371 372 674 676	RMGCFMIC 5K1 OHM +5% 62MI5W	RS3AD0512NA-6
R206	RMGCFMIC 6K8 OHM +5% 62MI5W	RS3AD0682NA-3
R24 25	RMGCFMIC 9K1 OHM +5% 62MI5W	RS3AD0912NA-1
R135 141 144 146	RMGCFMIC 5K6 OHM +5% 62MI5W	RS3AD0562NA-2
R227 C408	RMGCFMIC 220R0 OHM +5% 62MI5W	RS3AD0221NA-6
R623 650	RMGCFMIC 3K0 OHM +5% 62MI5W	RS3AD0302NA-6
R476	RMGCFMIC 2R2 OHM +5% 62MI5W	RS3AD022ANA-7
Q31 32 33 36 53	TR-SSD DTC114YKA N 10K0 OHM 47K0 OHM	H01-TRDTC114YNI-5
C373 374 380 381 390 398 422 432 465 466 486 487 506 507 529 532	CAP CHIP 1N8F 50V X7R K 0603	CZKII0182BC-5
D12 20 21 22	DIODE ZENER UDZ5.1B 5.1V 200MI0W	H01-DSUDZ05V1NB-4
IC45	IC-LOWFREQ KIC9459F SOP24 TONE/VOL/BAL/MUTE	H01-ICKIC9459D5-8
IC6	IC-OPERAMP NJM2068M DUAL SOP8	H01-ICLM02068D2-A
R605 606 610 614	RES CHIP 15K OHM 1/16W 1% 0603	RS1AD0153NA-2
C401	RMGCFMIC 10R0 OHM +5% 62MI5W	RS3AD0100NA-7
C460 467	CAP CHIP 4N7F 50V X7R K 0603	CZKII0472BC-7
C172	CAP CHIP 22N0F +10% -10% 50.0V X7R 0603	CZKII0223BC-6
C17 238 239 258 462 515 516 541 580 581 582 583	CCCFMIC 100P0F +5% -5% 50.0V NPO 0603	CZJII0101BE-2
C115 116 234 235 406 407 542 543 544	CCCFMIC 33P0F +5% -5% 50.0V NPO 0603	CZJII0330BE-9
C851	CCCFMIC 470P0F +5% -5% 50.0V NPO 0603	CZJII0471BE-2
C535	CAPACITOR CERAMIC CHIP 68PF 50V CH J NPO 0603	CZJII0680BE-4
C538	CAP CHIP 18NF 25V +/-10% 0603 X7R	CZKGI0183BC-6
C291 292 295 296 321 322 325 326 354 355 540	CAP CHIP 1N0F +10% -10% 50.0V X7R 0603	CZKII0102BC-7
C402 412 413 415 476	CAP CHIP 10N0F +10% -10% 50.0V X7R 0603	CZKII0103BC-5
C536	CAP CHIP 1N2F +10% -10% 50.0V X7R 0603	CZKII0122BC-1

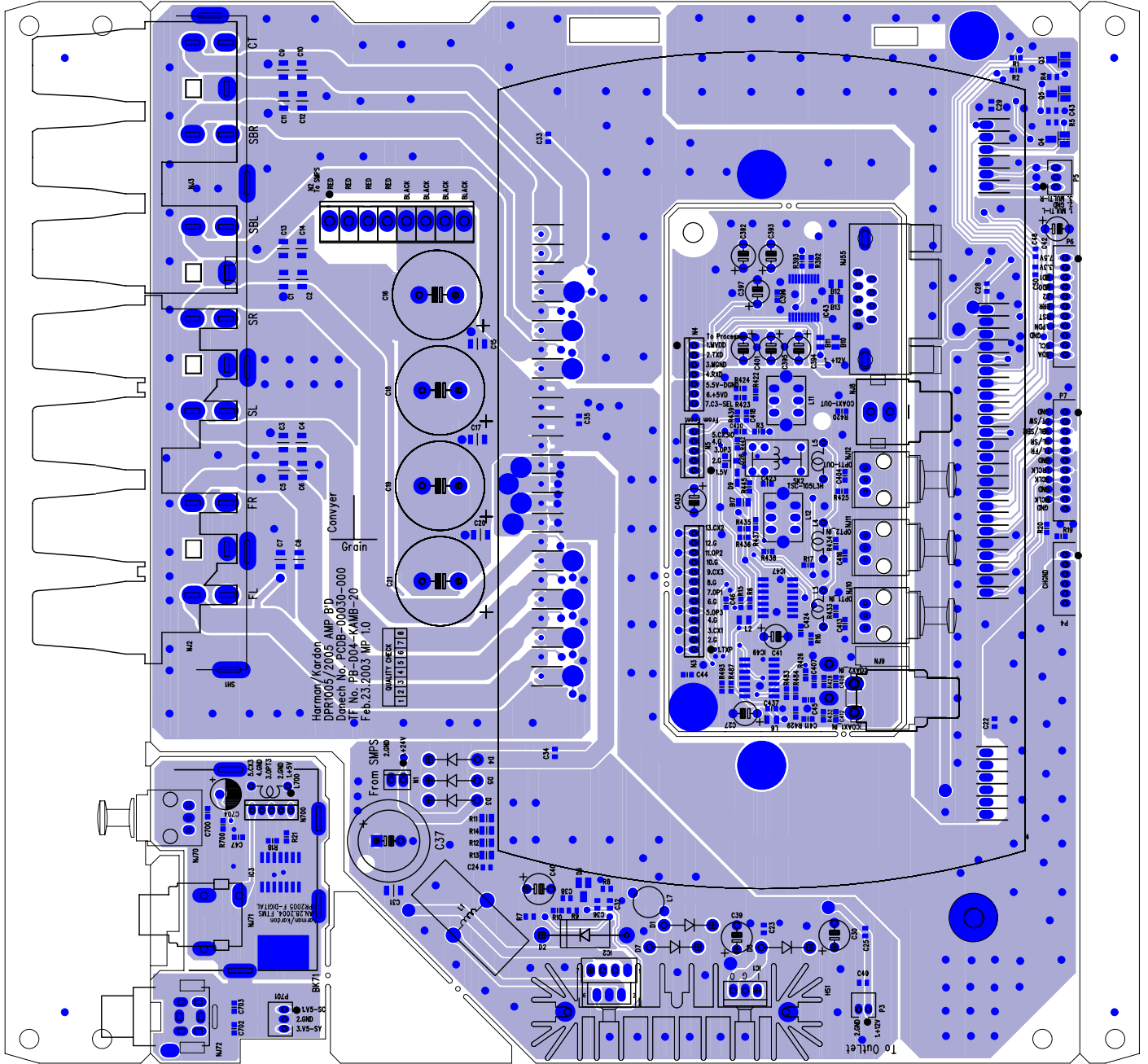
PROCESSOR section	DPR1005-2005/230	4/5
Location	Description	Part number
C101 104 105 112 117 121 124 132 179 180 181 182 187 188 227 228 267 268 273 278 282 283 284 285 286 301 302 303 304 313 314 315 316 331 332 333 334 340 341 344 360 361 362 363 391 4 418 458 478 484 488 493 496 503 578 588 589 590 591 592 593 594 595 596 597 7 8 901 902 903 904 905 906 909 910 911 912 913 914 918 919	CAP CHIP 100N0F +80% -20% 16.0V Y5V 0603	CZZFI0104BF-8
D13 17 3 6	D-SLP 1SS355 35.0V 225MI0A	H01-DS1S50094NB-A
D18 19 23 24	DIODE ZENER UDZ5.1B 5.1V 200MI0W	H01-DSUDZ05V1NB-4
L10 11 14 15 16 18 19 20 21 23 24 25 26 27 29 31 32 33 34 35 41 42 44 47 48 8 9	FBEAD SURFACE MT 300OHM FCM2012V-301T07	H01-FB3002012NN-4
IC26	IC-FLASH MEMORY ROM AT49LV8192A 70ns	H01-IC49L8192I5-A
IC57	IC OPEN COLLECTOR INVER DM74LS05M SOP24	H01-IC74LS05MD5-1
IC23 59	IC-LOGIC 74VHCT244A INVERTER CMOS	H01-IC74V244MG5-3
IC60	IC-LOGIC 74VHC244A INVERTER CMOS	H01-IC74VC244G5-6
IC10 22	IC A/D CONVERTOR AK5384 SOP28	H01-ICAK05384DA-6
IC56	IC CMOS BU4094BF SOP16	H01-ICBU4094BD3-2
IC61	IC-CODEC CS42528CQ	H01-ICCS42528EC-0
IC24	IC CONV CS4391A-KZ SOP20	H01-ICCS4391AD8-5
IC58	IC-DSP CS494003-CQ LQFP144	H01-ICCS49400ED-3
IC62	IC-MICOM FLASH NEC UPD70F3033BGF 0228KK001 JAPAN QFP1	H01-ICD703033E1-5
IC44	IC MICOM DDX8228 TQFP64	H01-ICDDX8228E6-5
IC52	IC-SDRAM K4S161622E-TC70 OR TC80	H01-ICK4S1616M6-9
IC15	IC-SWITCH KIC9162AF SOP28 ANALOG SWITCH	H01-ICKIC9162DA-5
IC14	IC-LOWFREQ KIC9459F SOP24 TONE/VOL/BAL/MUTE	H01-ICKIC9459D5-8
IC12 13 16 17 18 19 2 20 25 27 28 29 3 30 31 32 33 34 35 36 37 38 39 4 40 41 42 46 47 5 7 8	IC-OPERAMP NJM2068M DUAL SOP8	H01-ICLM02068D2-A
IC55	IC-EEPROM M24C04WMN6T	H01-ICM24C04WD2-1
IC70	IC MM1662H LOW DROP VOLTAGE REGULATOR SOP-8	H01-ICMM1662HI3-2
IC43 48	IC NC7SV17	H01-ICNC7SV17XX-4
IC1	IC-NJM2391DL1-33 LOW VOLTAGE	H01-ICNJM239133-A
IC11	IC-SWITCH TC9273F-004 SOP28 ANALOG SWITCH	H01-ICTC9273NDA-0
Q11 14 15 17 21 44 47 48 51	TR-SSD DTA114YKA P 10K0 OHM 47K0 OHM	H01-TRDTA114YNI-9
Q28 29 30 34 35 37 52	TR-SSD DTC114YKA N 10K0 OHM 47K0 OHM	H01-TRDTC114YNI-5
Q1 10 19 2 20 22 23 24 27 3 4 40 41 43 45 46 49 5 50 54 55 56 57 6 9	TR-SLPSWA KTD1304 N 20V 300MI0A SOT-23	H03-TRKTD1304ND-0
R545	RES CHIP 3.32K OHM 1/16W 1% 0603	RS1AD3321NA-3
C584 585	RMGCFMIC 0 OHM +0% 62MI5W	RS3AD0000NA-0
R446 459 462 463 475 492 577 578 579 612	RMGCFMIC 10R0 OHM +5% 62MI5W	RS3AD0100NA-7
R10 11 115 116 117 121 122 132 152 153 154 156 157 158 184 185 188 189 192 193 200 202 21 210 218 22 225 226 23 230 233 237 238 281 282 285 286 305 306 308 311 327 331 332 333 334 335 336 338 361 362 366 367 368 369 394 395 397 398 404 405 406 407 413 414 428 429 438 453 454 455 456 457 458 461 478 479 482 502 523 550 551 559 560 561 562 563 564 565 566 569 587 590 615 622 627 629 631 647 652 663 666 679 680 7 700 72 73 78 79 88 89 94 95	RMGCFMIC 100R0 OHM +5% 62MI5W	RS3AD0101NA-5
R1 120 123 145 150 253 254 255 439 442 445 447 448 505 506 507 508 520 521 522 546 547 548 568 575 582 6 617	RMGCFMIC 1K0 OHM +5% 62MI5W	RS3AD0102NA-3
R412 493 496 501 503 504 514 515 518 532 535 538 540 541 542 543	RMGCFMIC 10K0 OHM +5% 62MI5W	RS3AD0103NA-1
R125 126 155 160 18 180 181 186 187 19 190 191 196 197 198 199 208 209 213 214 215 222 239 240 318 319 360 363 384 385 392 393 396 401 408 409 410 417 436 437 449 450 519 583 584 585 586 618 619 620 625 626 628 636 637 648 649 661 662 671 672 68 69 713 714 74 75 76 77 82 83 92 93 98 99	RMGCFMIC 100K0 OHM +5% 62MI5W	RS3AD0104NA-A

PROCESSOR section	DPR1005-2005/230	5/5
Location	Description	Part number
R498	RES, CHIP, 1, 1/16W, +/-5%, 0603	RS3AD010ANA-6
R452 494	RMGCFMIC 120R0 OHM +5% 62MI5W	RS3AD0121NA-A
R411 420 422 552	RMGCFMIC 150R0 OHM +5% 62MI5W	RS3AD0151NA-1
R441 572	RMGCFMIC 2K0 OHM +5% 62MI5W	RS3AD0202NA-A
R553 554 593 597 598 567 576	RMGCFMIC 220R0 OHM +5% 62MI5W	RS3AD0221NA-6
R109 110 113 114 133 134 165 170 217 219 244 245 257 262 263 264 272 273 419 421 427 480 488 489 495 50 51 517 574 581 678	RMGCFMIC 2K2 OHM +5% 62MI5W	RS3AD0222NA-4
R231 444 490 491 621 682	RMGCFMIC 2R2 OHM +5% 62MI5W	RS3AD022ANA-7
R539	RMGCFMIC 3K0 OHM +5% 62MI5W	RS3AD0302NA-6
R292 293 294 295 296 297 298 299 344 345 346 347 349 351 352 353 555 556 557 558	RMGCFMIC 330R0 OHM +5% 62MI5W	RS3AD0331NA-A
R472 481 525 533 536 537 544	RMGCFMIC 3K3 OHM +5% 62MI5W	RS3AD0332NA-8
R102 499 591 600 607 608 639 640 645 646 657 658 669 670 685 687 694 695	RMGCFMIC 4K3 OHM +5% 62MI5W	RS3AD0432NA-4
R477	RMGCFMIC 47R0 OHM +5% 62MI5W	RS3AD0470NA-7
R182 183 194 195 204 205 28 29 390 391 399 400 434 435 599 601 630 635 667 668 70 71 80 81 96 97	RMGCFMIC 470R0 OHM +5% 62MI5W	RS3AD0471NA-5
R138 220 228 232 234 241 256 269 271 283 284 330 379 416 468 524 573 677	RMGCFMIC 4K7 OHM +5% 62MI5W	RS3AD0472NA-3
R221 3 307 309 310 317 364 365 388 389 516	RMGCFMIC 47K0 OHM +5% 62MI5W	RS3AD0473NA-1
R602 609	RES CHIP,4R7 1/16W +/-5%,0603.	RS3AD047ANA-6
R101 142 143 149 151	RMGCFMIC 5K1 OHM +5% 62MI5W	RS3AD0512NA-6
R127 131	RMGCFMIC 560R0 OHM +5% 62MI5W	RS3AD0561NA-4
R235	RMGCFMIC 5K6 OHM +5% 62MI5W	RS3AD0562NA-2
R483	RMGCFMIC 75R0 OHM +5% 62MI5W	RS3AD0750NA-1
R386 387 510 511	RES CHIP 91OHM 1/16W 5% 0603	RS3AD0910NA-5
RS1 3 4 5	RCA 10K0 OHM +5% 62M15W 4	RS3AY0103NA-7
RS2	RCA 3K3 OHM +5% 62M15W 4	RS3AY0332NA-3
RS10 11 12 13 14 6 7 8 9	RCA 47R0 OHM +5% 62M15W 4	RS3AY0470NA-2
C603	CAP CHIP FORM,4P +0.25P,50V,0603,C0G.	CSDIE040ABG-1
	AC EMBD IMA VIDEO BD DPR2005	3SA-3151US-VDMI-1-9
IC32	IC KIA7806AP VOLTQAGE REGULATOR TO-220AB	H03-ICKIA7806I2-4
Y100	CRYSTAL 14.31818MHz WOOIN	H01-OSXBE14M3AU-7
Y101	CRYSTAL 17.734475MHz WOOIN	H01-OSXBE17M7AU-9
SK10 11	RELAY D3009(1-1462033-4)	H01-RLL0517811A-A
NJ10 11 12 13 14 15 16 17	JACK RCA+S VIDEO C5016031DN	H01-SORA11Y00NN-5
NJ19	JACK RCA 9P JB090173FN	H01-SORA90173NN-6
P100	CONNECT WAFER 2.0MM 8P 35237-0810 WHT	H01-WN08AB100WH-7
P101	CONN WAFER 2.0MM 12P 35237-1210 WHT	H01-WN12AB00000-8
P102	CONN 2.0MM 13P GIL-S-13P-S2T2	H01-WN13SB00000-2
C230	CE 100UF +20% 16.0V D6.3XL11 P5MM 85C	CEHFC01075E-1
D102 104	D-SLP 1N4148 100.0V 150E-3A	H01-DG1N04148NB-4
L100 101 102	BEAD AXIAL/TAP,HC3580 80.5ohm	H03-FB05B3580NN-7
L107	INDUCTOR COIL AL02TB5R6J 5.6UH 1.9OHM +5%	H01-LALNB056ACR-A
L104 105 106 108 110	LF 47U0H +10% 5.8 OHM 500MIOA	H01-LAINB0470CR-2
VIDEO section	DPR1005-2005/230	1/3
Location	Description	Part number
C104 106 107 109 115 117 122 124 125 127 155 156 163 165 220 244 248 252 263	CE 220UF +20% 10.0V D6.3XL11 P5MM 85C	CEHEC02275E-9
C269	CE 10U0F +20% 50.0V 85C P5MM 5X11	CEHIC01065E-4
C149 150 151 152 157 158 159 160 161 162 166 167	CE 470U0F +20% 10.0V 6.3X11 85C ELITE	CEHEC0477MN-A
C105 108 112 116 123 126 164 183 186 191 238 247 251 264	CE 10U0F +20% 16.0V 85C AH SAMYOUNG	H01-CEHFC0106AH-5
C188 193 198 229 231 233 236 239 242 245 249 266 267 268	CE 100UF +20% 16.0V D6.3XL11 P5MM 85C	CEHFC01075E-1
C154 172 174 179 222 235 241	CE47UF +20% 16.0V D5XL11 P5MM 85C	CEHFC04765E-3
C102 215	CAP ELEC 22UF 16V M ELITE	CEMFC0226NN-9

VIDEO section	DPR1005-2005/230	2/3
Location	Description	Part number
C195 204 208 213	CE 1UF +20% 50V D5XL11 P5MM 85C	CEHIC01055E-6
C185 189	CE 2U2F +20% 50.0V 85C 5X11 SHL	H01-CEHIC0225AH-5
C205	CE 470N0F +20% 50.0V 85C 5X11 ELITE	CEHIC0474NN-9
C194	CPF 22N0F +10% 50.0V	CPIIC0223NN-4
C196	CPF 6N8F +10% 50.0V	CPIIC0682NN-5
Q101 104 114 116	TR-SLPLF 2SA933ASR P -3.0A -20V	H01-TR2SA933ANW-2
Q100 117	TR-SLPLF 2SC1740S R N 150MIOA 50V	H01-TR2SC1740NW-9
Q115	TR-SLPLF MP5A56 Y P -500MIOA -300V	H03-TRMP5A56YNA-0
C200	CCCFMIC 10P0F +0P5F -0P5F 50.0V NP0 0603	CZEI10100BE-0
C100 101 103 110 111 114 118 119 121 153 168 169 170 175 176 177 180 181 182 209 210 211	CCCFMIC 100P0F +5% -5% 50.0V NP0 0603	CZJII0101BE-2
C202	CCCFMIC 27P0F +5% -5% 50.0V NP0 0603	CZJII0270BE-1
C201	CAP,CHIP FORM 30P +/-5% 50V C0G 0603	CSJIE0300BG-2
C203 206 207 214	CAP CHIP 39PF 50V CH J NP0 0603	CZJII0390BE-2
C228	CCCFMIC 180P0F +5% -5% 50.0V NP0 0603	CZJII0181BE-0
C184 187 192 197 199	CAP CHIP 10N0F +10% -10% 50.0V X7R 0603	CZKII0103BC-5
C227	CAP CHIP 560P0F +10% -10% 50.0V X7R 0603	CZKII0561BC-8
C171 173 178 221 225 226 232 234 237 240 243 246 250	CAP CHIP 100N0F +80% -20% 16.0V Y5V 0603	CZZFI0104BF-8
C190	CAP CHIP 22N0F +10% -10% 50.0V X7R 0603	CZKII0223BC-6
D100 101 103 106 107	D-SLP 1SS355 35.0V 225MIOA	H01-DS1S50094NB-A
IC19 28	IC BU4053BCF SOP16 ANALOG MPX/DMPX	H01-ICBU4053BB4-7
IC29 30 31	IC CMOS BU4094BF SOP16	H01-ICBU4094BD3-2
IC33	IC OSD LC74763M SOP30	H01-ICLC74763I4-1
IC13 14 26	IC-VIDEO SW MM1501XNRE SOT-26B	H01-ICMM1501XDL-A
IC16 17 18	IC-LINEAR NJM2296	H01-ICNJM2296D3-7
IC27	IC-VIDEOPROC TSH95ID VIDEO AMPLIFIER	H01-ICTSH95IDB4-6
Q102 103	TR-SSD DTA114YKA P 10K0 OHM 47K0 OHM	H01-TRDTA114YNI-9
Q105 106 107 110 111 113	TR-SSD DTC114YKA N 10K0 OHM 47K0 OHM	H01-TRDTC114YNI-5
R136 137 138 140 141 142 144 145 146 160 180 190 191 192 195 200 239	RMGCFMIC 1K0 OHM +5% 62MI5W	RS3AD0102NA-3
R147	RMGCFMIC 100K0 OHM +5% 62MI5W	RS3AD0104NA-A
IC15	IC-VIDEO SW MM1511XNRE SOT-26B	H01-ICMM1511XDL-8
R182	RMGCFMIC 100R0 OHM +5% 62MI5W	RS3AD0101NA-5
R100 104 105 112 117 118 122 126 127 158 159 163 165 179 199 201 210 211 212 213 214 215 238	RMGCFMIC 10K0 OHM +5% 62MI5W	RS3AD0103NA-1
R185 188	RES CHIP 1M 1/16W +5% 0603	RS3AD0105NA-8
R186 187 197	RMGCFMIC 120R0 OHM +5% 62MI5W	RS3AD0121NA-A
R162 166 167	RMGCFMIC 1K2 OHM +5% 62MI5W	RS3AD0122NA-8
R139 143	RMGCFMIC 12K0 OHM +5% 62MI5W	RS3AD0123NA-6
R202	RMGCFMIC 120K0 OHM +5% 62MI5W	RS3AD0124NA-4
D108 109 110 111 112 113 114 115 116 117	DIODE PG05GBUSC	H03-DS05GBUSCNB-5
R196	RMGCFMIC 1K5 OHM +5% 62MI5W	RS3AD0152NA-A
R168 194	RMGCFMIC 150K0 OHM +5% 62MI5W	RS3AD0154NA-6
R181	RMGCFMIC 220R0 OHM +5% 62MI5W	RS3AD0221NA-6
R206 207	RMGCFMIC 2K2 OHM +5% 62MI5W	RS3AD0222NA-4
R153 161 164 240	RMGCFMIC 22K0 OHM +5% 62MI5W	RS3AD0223NA-2
R203	RMGCFMIC 220K0 OHM +5% 62MI5W	RS3AD0224NA-0
R150 152	RES CHIP 158OHM 1% 1/16W 0603	RS1AD1580NA-0
IC10 11 12	IC-VIDEO SW MM1510XNRE SOT-26A	H01-ICMM1510XDL-7
R154	RES CHIP,430 OHM,1/16W,+/-5%,0603	RS3AD0431NA-6
R241	RES CHIP 18 OHM 1/16W +/-5% 0603.	RS3AD0180NA-5
R149	RMGCFMIC 330R0 OHM +5% 62MI5W	RS3AD0331NA-A
R205 208	RMGCFMIC 33K0 OHM +5% 62MI5W	RS3AD0333NA-6
R217 218 219 220 221 222 223 224 226 227 228 229 230 231 232 233 234 235 236	RES, CHIP, 1, 1/16W, +/-5%, 0603	RS3AD010ANA-6
R155 156	RMGCFMIC 43R0 OHM +5% 62MI5W	RS3AD0430NA-8
R176	RESISTOR CHIP 470OHM 1/16W 1% 0603	RS1AD0471NA-A
R177	RES CHIP 510OHM 1% 1/16W 0603	RS1AD0511NA-2
R193	RMGCFMIC 51K0 OHM +5% 62MI5W	RS3AD0513NA-4

VIDEO section	DPR1005-2005/230	3/3
Location	Description	Part number
R204 209	RMGCFMIC 68R0 OHM +5% 62MI5W	RS3AD0680NA-7
R198	RMGCFMIC 6K8 OHM +5% 62MI5W	RS3AD0682NA-3
R101 102 103 106 107 108 109 110 111 119 120 121 128 129 130 131 132 133	RES CHIP 75OHM 1% 1/16W 0603	RS1AD0750NA-6
R225	RMGCFMIC 82R0 OHM +5% 62MI5W	RS3AD0820NA-6
R169	RMGCFMIC 8K2 OHM +5% 62MI5W	RS3AD0822NA-2
SK10 11	RELAY D3009(1-1462033-4)	H03-RLLO517811A-5
R113 114 115 116 123 124 125	RES CHIP 78.7OHM 1% 1/16W 0603	H01-RS1AD78R7NA-9
DATA IN/OUT section	DPR1005-2005/230	1/1
Location	Description	Part number
C403	CAPACITOR CERAMIC 0.0047UF 400V M	CCMPA0472NA-2
F401	FUSVDETIMELG 2.0A 250.0 V 5X20	H01-FUGF202A0XX-4
IC51 52 53	IC PHOTOCOUPLER PC-17T1 DIP4 KODENSHI	H01-ICPC17T10B1-2
SK41 42	RELAYPWR 12.0V 270.0OHM 10.0A	H01-RL1227111K-1
NJ51 52 53	JACK PHONE 3.6 EP-1401A 1P BK	H01-SOJW2350SNN-A
NJ42	CONN-SPE AC OUTLET 2P 220V FE 19MM2 BK 0 0	H01-SOPA20019BK-A
NJ41	CON MAINS INLET A/C INLET 7014-NGP AC05-4S020A	H01-SOXA27014NN-9
N403	WIRE ASS'Y UL1007#26 STR 220MM 2.0MM 2P RED	H01-WG02SB82200-1
N404	WIRE ASS'Y UL1007 #26 STR 450MM 2.0MM 2P RED	H01-WG02SB84500-9
N401	WIRE ASS'Y UL1617#22 STR 480MM 7.92/3.96MM 2P WHT	H01-WG02SG84800-A
P402	CONNECTOR WAFER B02P-VL 12.0MM 2P	H01-WN02S12MM00-A
P501	CONNECT 2.0MM 10P GIL-S-10P-S2T2-EF	H01-WN10SB00000-0
BK51 52	BKT GROUND	H01-ZMC12S16A00-A
NJ54	JACK-TELE SNAP-IN GOLDEN TELECOM GDL1-8P8C 8T BK 0 0	SO0A18P8CNN-7
C514	CC 100N0F +80% -20% 50.0V F	CCZID0104NA-2
C502	CE 100UF +20% 16.0V D6.3XL11 P5MM 85C	CEHFC01075E-1
C501	CE 100U0F +20% 50.0V 85C SHL	H01-CEHIC0107AH-9
Q501 502 503	TR-SLPSWA KRA107M P	H03-TRKTA107MNA-2
F501	FUSE T 2A 250V 7.6X8.6 SS-5 SAVE FUSETECH	H01-FURN2200006-6
FH41 42	TERMFUSEHLDR FUSE-HOLDER J4210020001X	H01-SOPS12FEHDNN-9
C503 504 505 506	CCCFMIC 100P0F +5% -5% 50.0V NPO 0603	CZJII0101BE-2
C512 513	CAP CHIP 100N0F +80% -20% 16.0V Y5V 0603	CZZFIO104BF-8
D503 504 505 506	D-SLP 1SS355 35.0V 225MI0A	H01-DS1S50094NB-A
L501 502	FBEAD SURFACE MT 2500OHM FCM2012H-252T02	H01-FB2K52012NN-5
R503	RMGCFMIC 270R0 OHM +5% 62MI5W	RS3AD0271NA-2
R507 508	RMGCFMIC 3K9 OHM +5% 62MI5W	RS3AD0392NA-1
R510 511	RMGCFMIC 47R0 OHM +5% 62MI5W	RS3AD0470NA-7
R501 502 521 522	RMGCFMIC 470R0 OHM +5% 62MI5W	RS3AD0471NA-5
R504 505 506	RMGCFMIC 4K7 OHM +5% 62MI5W	RS3AD0472NA-3
R509	RMGCFMIC 100K0 OHM +5% 62MI5W	RS3AD0104NA-A
C511 D511 512	RMGCFMIC 0 OHM +0% 62MI5W	RS3AD0000NA-0
D401 402	D-SLP 1N4148 100.0V 150E-3A	H01-DG1N04148NB-4
	PCB SINGLE DPR1005EU OUT 174MMX144MM*1.6t FR-1-EU	PBD06KOU100-5
R515	RCF 100R0 OHM +5% 250MI0W	RC3DI0101IN-0
R401 402	RESISTOR CARBON FILM 33 OHM 1/4W 5%	RC3DI0330IN-7
MODULES AND PCB ASSY'S	DPR1005-2005/230	1/1
AMP MODULE DPR1005	ASS'Y AMP MODULE GR0070-7	H01-ZVD03007000-A
AMP MODULE DPR2005	ASS'Y AMP MODULE GR0120-7	H01-ZVD04012000-1
POWER SUPPLY DPR1005	SMPS ASS'Y SMPS KJP-7013 70W-EU	H01-ZVD06701301-1
POWER SUPPLY DPR2005	SMPS ASS'Y SMPS KJP-10013 120W-EU	H01-ZVD07013E00-5
FRONT PCB DPR 1005	AC EMBD IMA FRONT BD DPR1005	3SA-3150US-FCMI-15
FRONT PCB DPR 2005	AC EMBD IMA FRONT BD DPR2005	3SA-3151US-FCMI-1-2
IR IN/OUT-RS232 PCB	AC ESABD IMA OUT BD DPR1005EU/DPR2005	3SA-3153EU-OUMI-1-5
DSP-INPUT-PROCESSOR PCB	AC EMBD IMA PROCESSOR BD DPR1005EU	3SA-3153EU-POMI-15
DSP-INPUT-PROCESSOR PCB	AC EMBD IMA PROCESSOR BD DPR2005EU	3SA-3154EU-POMI-1-2
VIDEO PCB DPR1005	AC EMBD IMA VIDEO BD DPR2005	3SA-3151US-VDMI-1-9
VIDEO PCB DPR2005	AC EMBD IMA VIDEO BD DPR2005	3SA-3151US-VDMI-1-9

AMP BOARD (TOP VIEW)

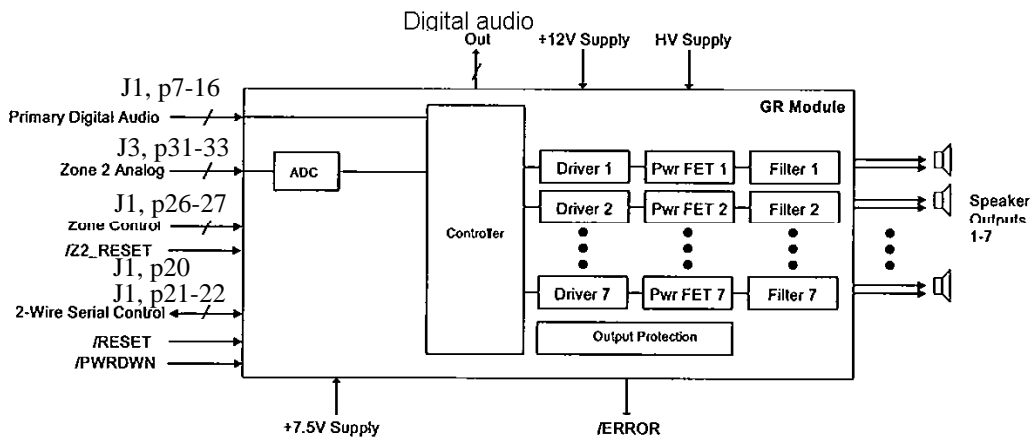
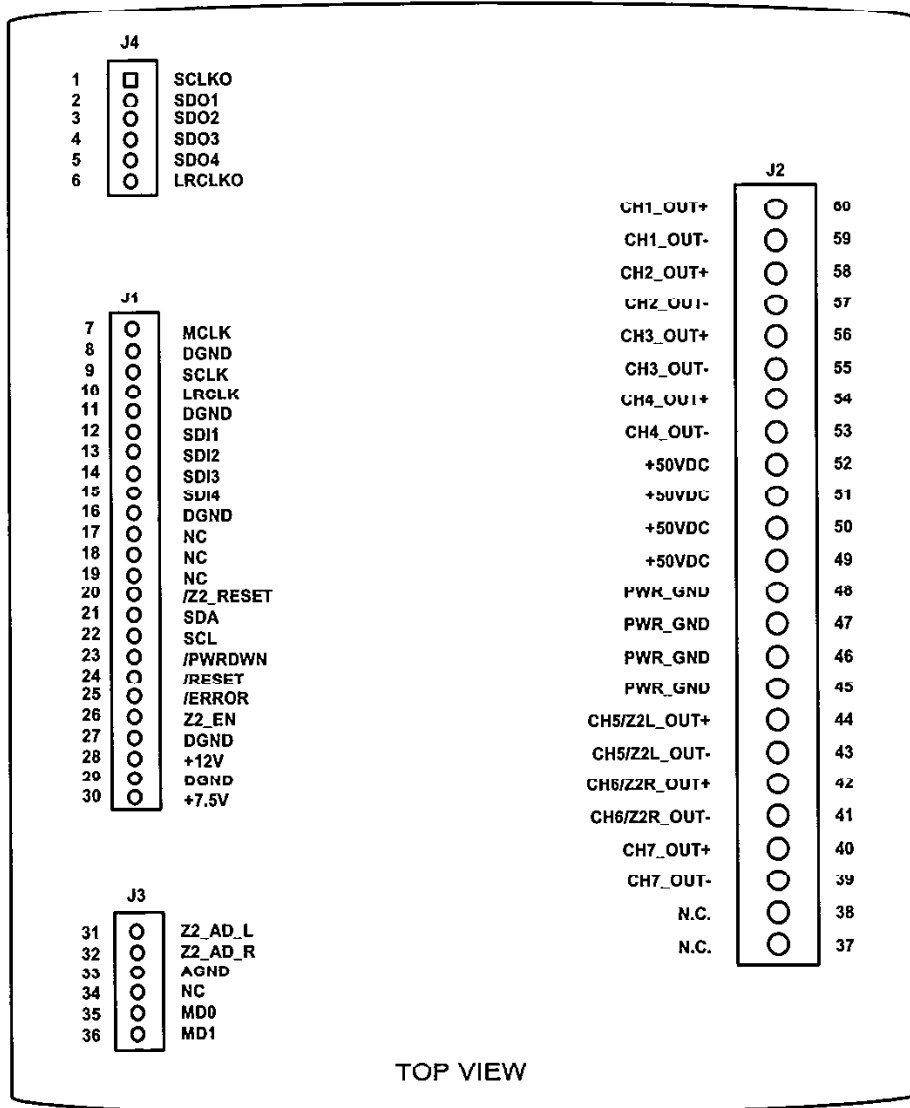


Harman/Kardon
DPR1005/2005 AMP B/D
Donech No. PCB-00030-000
TF No. PB-1014-KAMB-20
Feb.23.2003 MP.1.0

QUALITY CHECK
1 2 3 4 5 6 7 8

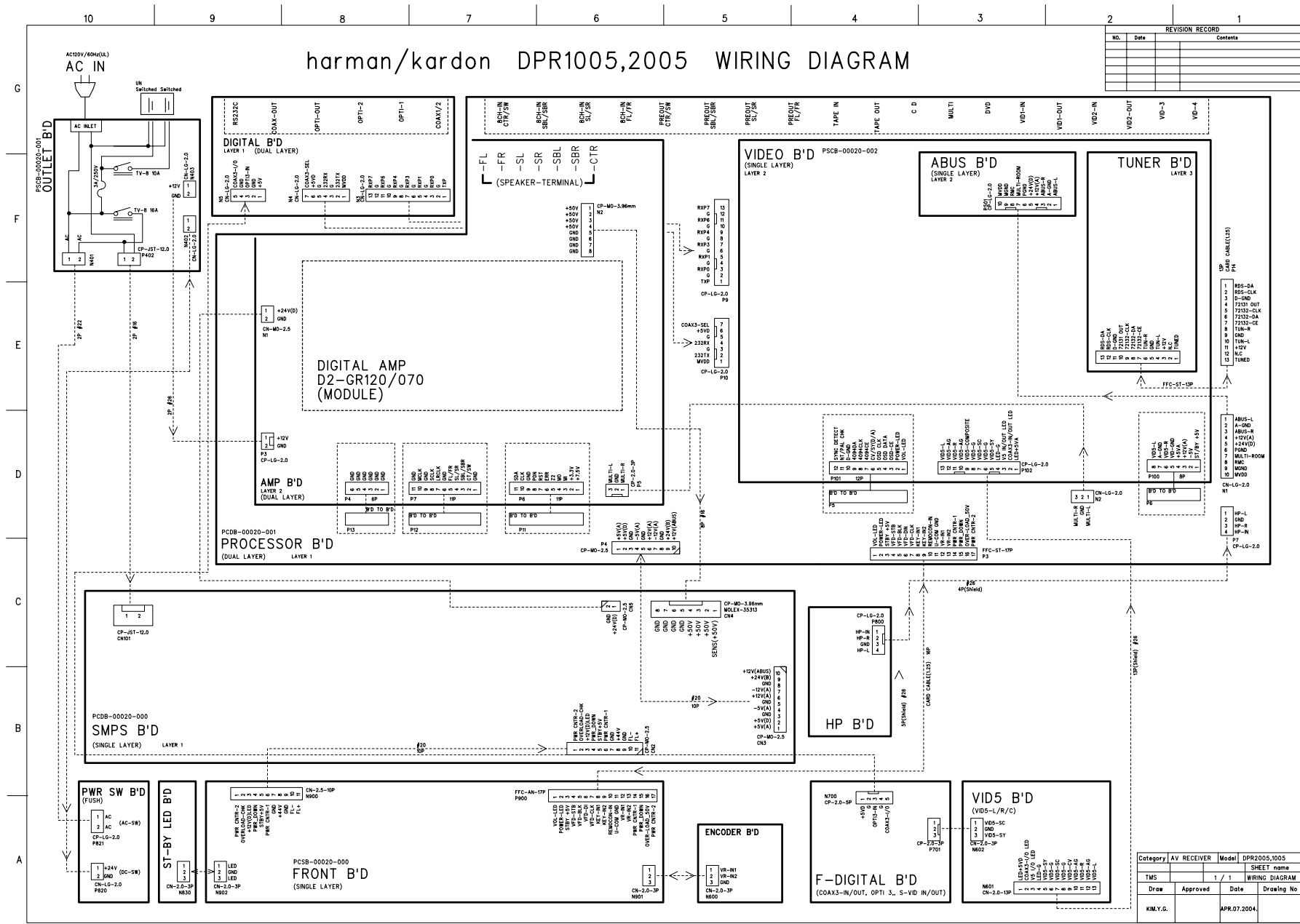
To Outlet

MODULE PINOUT



harman/kardon DPR1005,2005 WIRING DIAGRAM

REVISION RECORD		
No.	Date	Contents



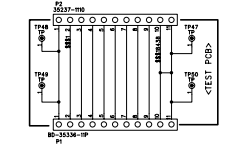
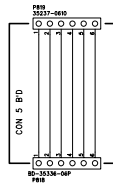
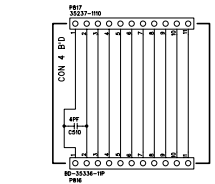
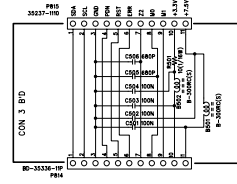
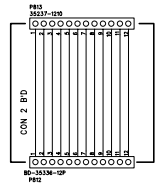
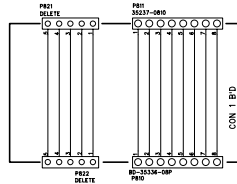
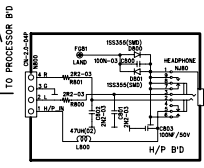
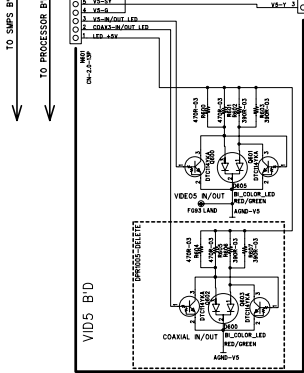
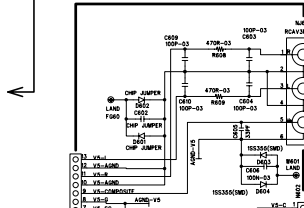
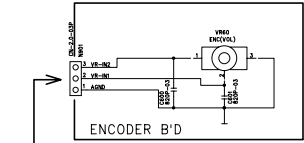
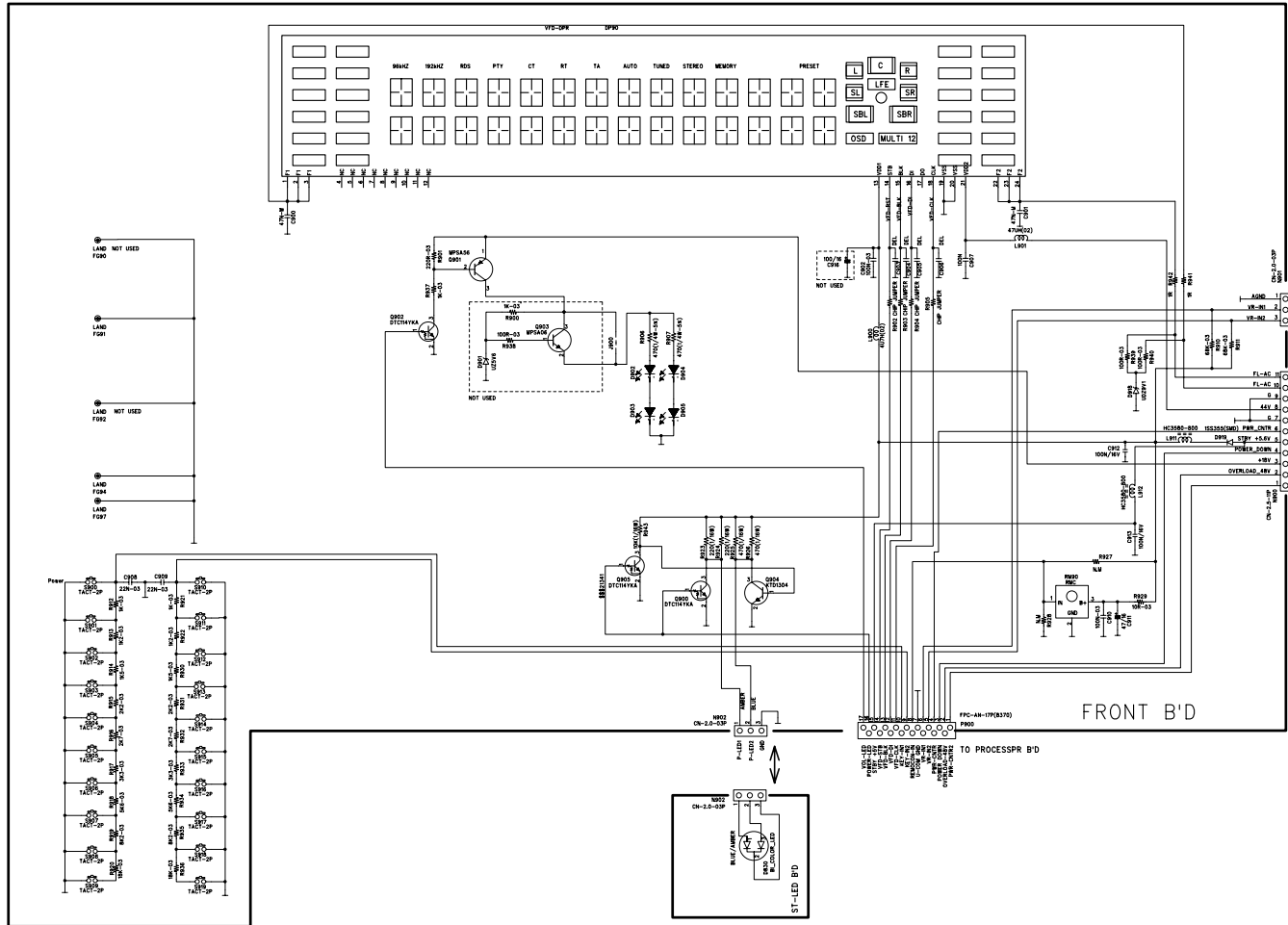
Category	AV RECEIVER	Model	DPR1005,2005
TMS	1 / 1	WIRING DIAGRAM	SHEET 1000
Draw	Approved	Date	Drawing No.
KIM.Y.G.		APR.07.2004.	

SCHEMATIC DIAGRAM harman/kardon DPR1005/2005 FRONT B'D

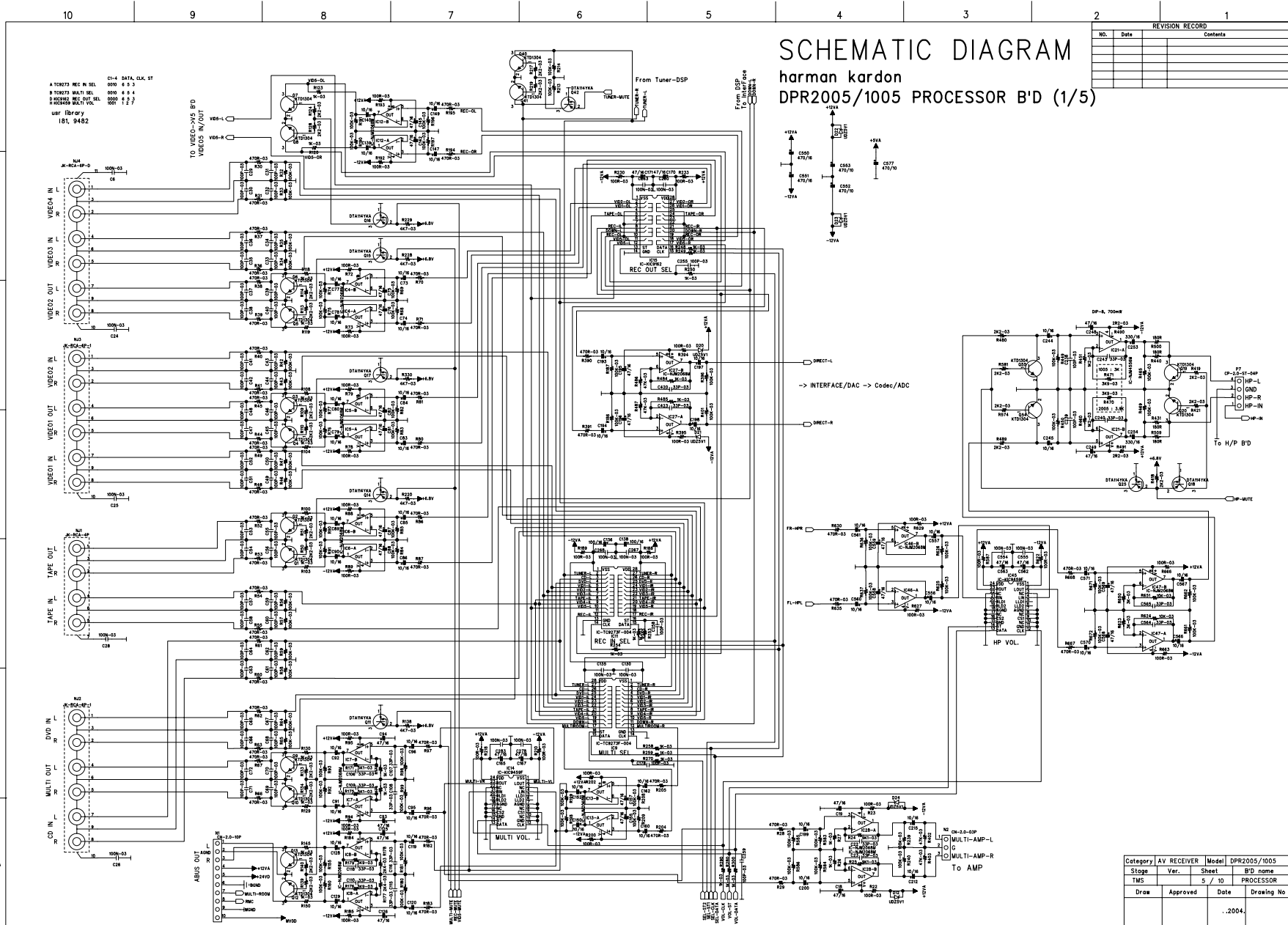
10 9 8 7 6 5 4 3 2 1

G
F
E
D
C
B
A

REVISION RECORD		
No.	Date	Contents



Category	AV RECEIVER	Model	DPR2005/1005
Stage	Ver.	3 / 10	FRONT
Draw	Approved	Date	Drawing No



SCHEMATIC DIAGRAM
harman kardon
DPR2005/1005 PROCESSOR B'D (1/5)

REVISION RECORD		
No.	Date	Contents

A TC90273 REC IN SEL
 0000 4 5 3
 B TC90273 MULTI SEL
 0000 4 5 4
 C DS90LV02 REC OUT SEL
 0000 4 2 2
 D000 1 2 2
 181, 9482

VIDEO 4 IN
 VIDEO 3 IN
 VIDEO 2 IN
 VIDEO 1 IN

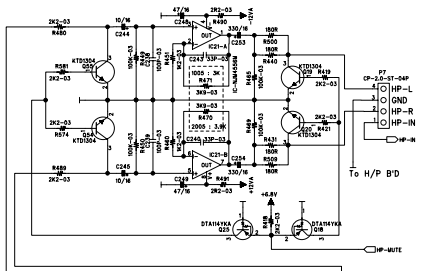
VIDEO 4 OUT
 VIDEO 3 OUT
 VIDEO 2 OUT
 VIDEO 1 OUT

TAPE IN
 TAPE OUT

DVD IN
 MULTI IN
 MULTI OUT
 DVD OUT

REC IN SEL
 REC OUT SEL

MULTI VOL
 MULTI SEL



Category	AV RECEIVER	Model	DPR2005/1005
Sheet	1	Sheet	1
Draw		Approved	
Date		Drawing No.	.2004.

10

9

8

7

6

5

4

3

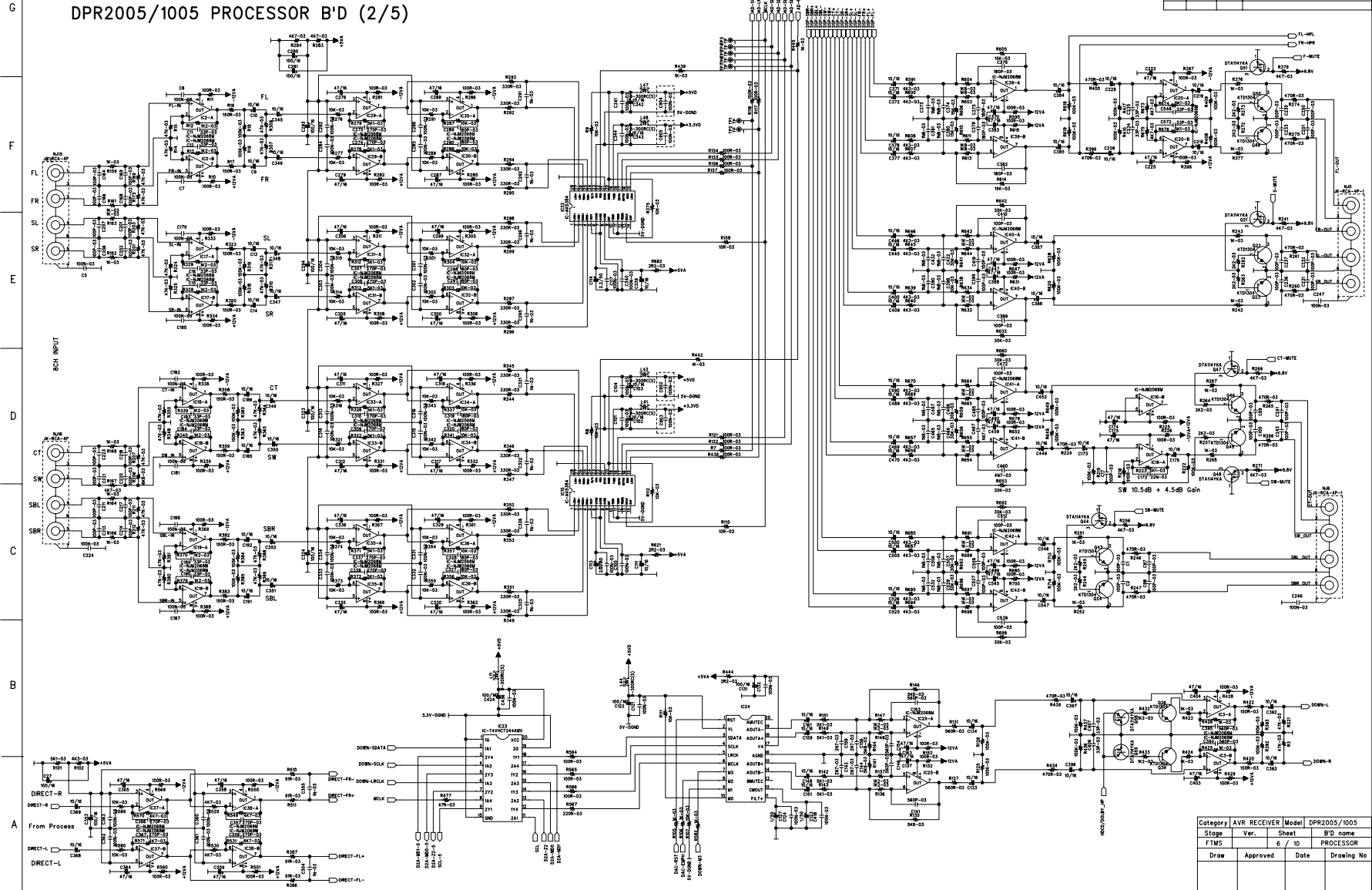
2

1

SCHEMATIC DIAGRAM

harman kardon
DPR2005/1005 PROCESSOR B'D (2/5)

REVISION RECORD		
No.	Date	Contents

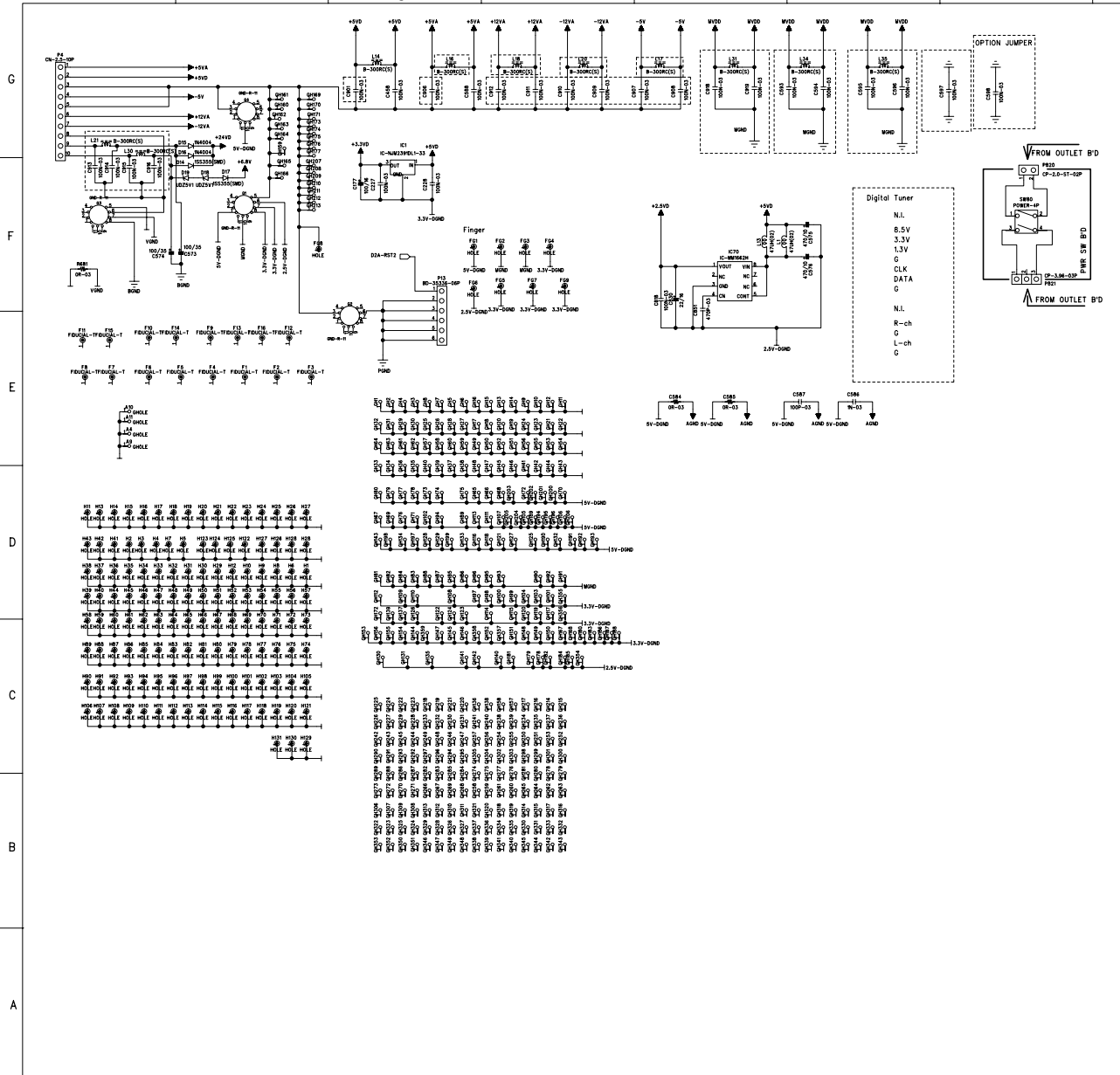


Category	AVR RECEIVER	Model	DPR2005/1005
Sheet	6	Ver.	1.0
Draw	Approved	Date	Drawing No.

REVISION RECORD		
No.	Date	Contents

SCHEMATIC DIAGRAM

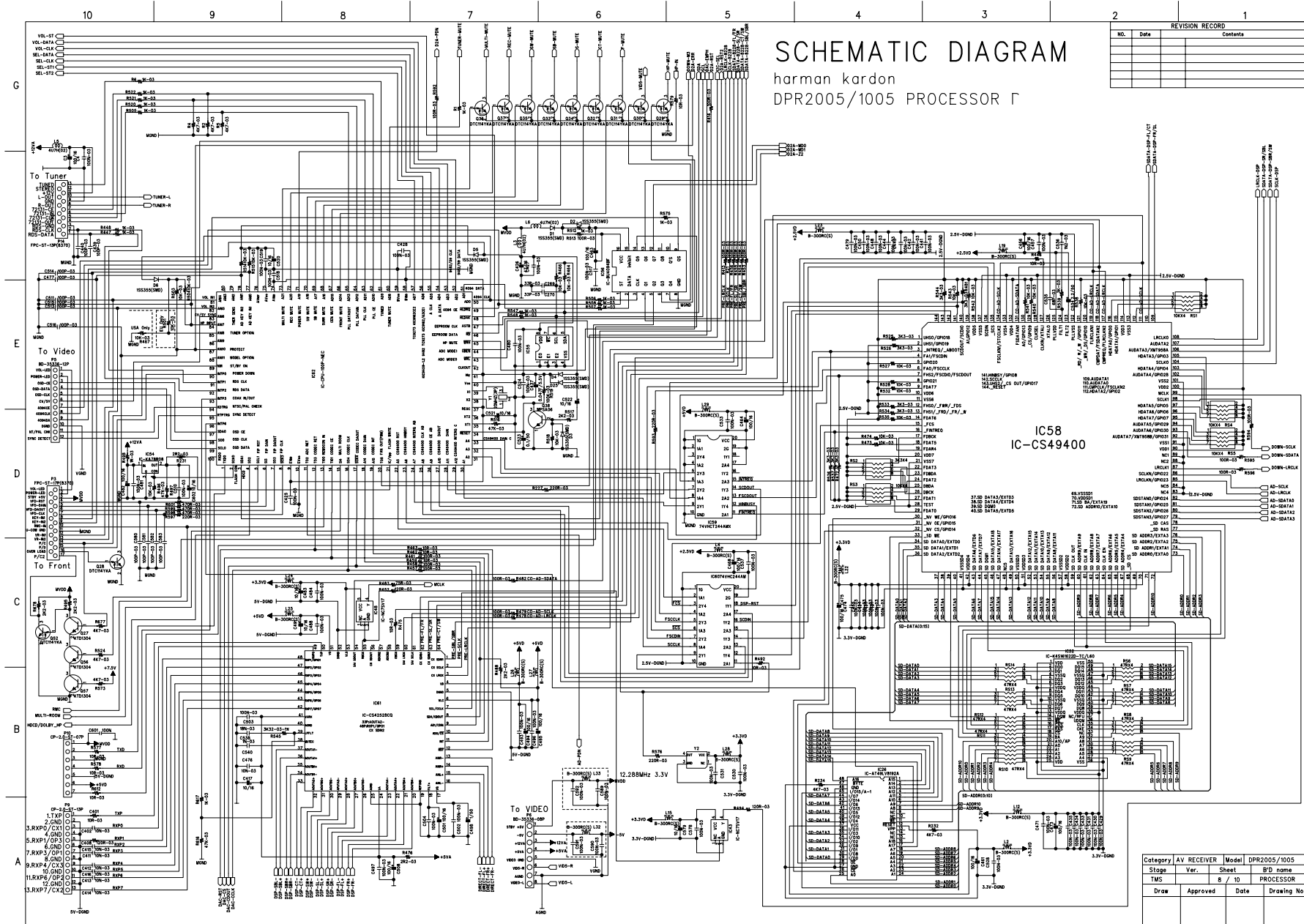
harman kardon DPR2005/1005 PROCESSOR B'D (3/5)



QUALITY CHECK	

Q72
CONVEY

Category	AV RECEIVER	Model	DPR2005/1005
Stage	Ver.	Sheet	B'D name
TMS		7 / 10	PROCESSOR
Draw	Approved	Date	Drawing No.



SCHEMATIC DIAGRAM

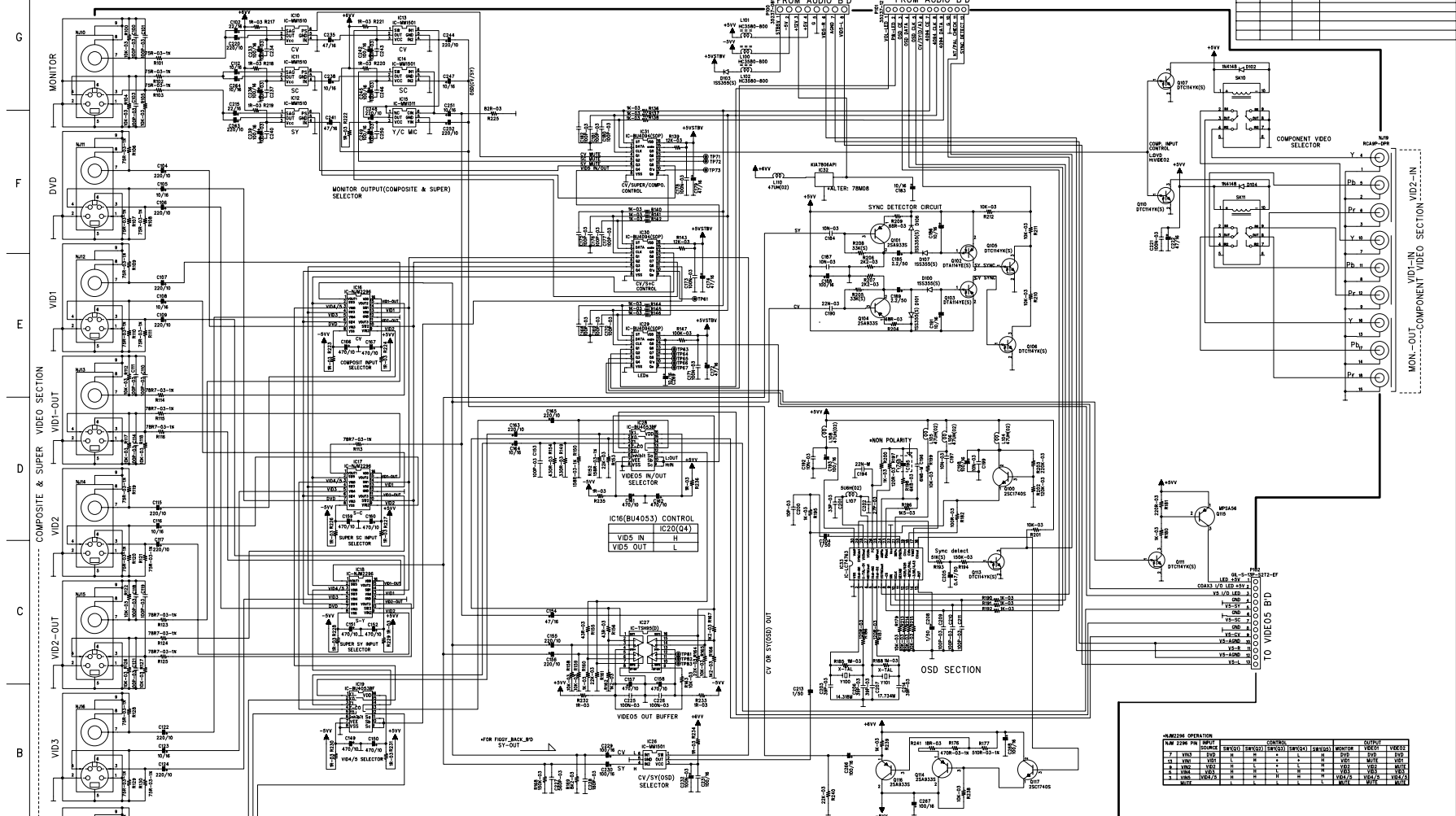
harman kardon
DPR2005/1005 PROCESSOR

REVISION RECORD		
No.	Date	Contents

Category	AV RECEIVER	Model	DPR2005/1005
Sheet	Ver.	8	10
Draw	Approved	Date	Drawing No.

SCHEMATIC DIAGRAM harman/kardon DPR1005/2005 VIDEO B'D

REVISION RECORD	
No.	Date



SWITCHING TABLE			*MONITOR OUT OPERATION - OSD FUNCTION												
IC31(4094) CONTROL			IC30(4094) CONTROL		IC29(4094) CONTROL		OUTPUT		INPUT CONDITION						
Q1	Q2	Q3	Q1	Q2	Q1	Q2	Q1(IC31)	Q2(IC31)	Q3(IC31)	Q6(IC30)	Q8(IC31)	Q7(IC30)	CV-DETECT	SY-DETECT	FULL OSD
CV OUT MUTE(NMHS0)	IC OUT (OSB/ANL OSD)	SY OUT MUTE(NMHS0)	NM2296 SW1	NM2296 SW2	VOLUME LED	POWER LED	SEMI OSD	ON(H)	NON OSD(L)	OFF(L)	CV(L)	OFF(L)	H	L	OFF
Q4	Q5	Q6	Q3	Q4	Q3	Q4	FULL OSD	ON(H)	ON(H)	ON(H)	ON(H)	ON(H)	*	*	ON
VIDS IN/OUT	COMP/NTA SELECT(NMHS)	NC	NM2296 SW3	NM2296 SW4	+5V LED	COAX I/O LED	SEMI OSD	ON(H)	NON OSD(L)	ON(H)	SY(H)	ON(H)	*	H	OFF
Q7	Q8	Q7	Q5	Q6	Q5	Q6	FULL OSD	ON(H)	OSD(H)	ON(H)	ON(H)	ON(H)	*	*	ON
CV S+V SELECT	VID4/VID5 SELECT	NC	NM2296 SW5	CV/SY IN SELECT	VID5 I/O LED	VID5 I/O LED	SEMI OSD	ON(H)	OSD(H)	ON(H)	ON(H)	ON(H)	*	L	OFF
SC-OUT MUTE			Q7	Q8	Q7	Q8	FULL OSD	ON(H)	OSD(H)	ON(H)	ON(H)	ON(H)	*	*	ON
							MUTE	OFF(L)	OSD(H)	OFF(L)	OFF(L)	OFF(L)	*	*	

NM 2296 PIN	FN	DRIFT	CONTROL	MONITOR	OUTPUT	VIDEO
1	VIN1	H	L	H	DND	DND
2	VIN2	H	L	H	DND	DND
3	VIN3	H	L	H	VHS	VHS
4	VIN4	H	L	H	VHS	VHS
5	VIN5	H	L	H	VHS	VHS
6	VIN6	H	L	H	VHS	VHS
7	VIN7	H	L	H	VHS	VHS
8	VIN8	H	L	H	VHS	VHS
9	VIN9	H	L	H	VHS	VHS
10	VIN10	H	L	H	VHS	VHS

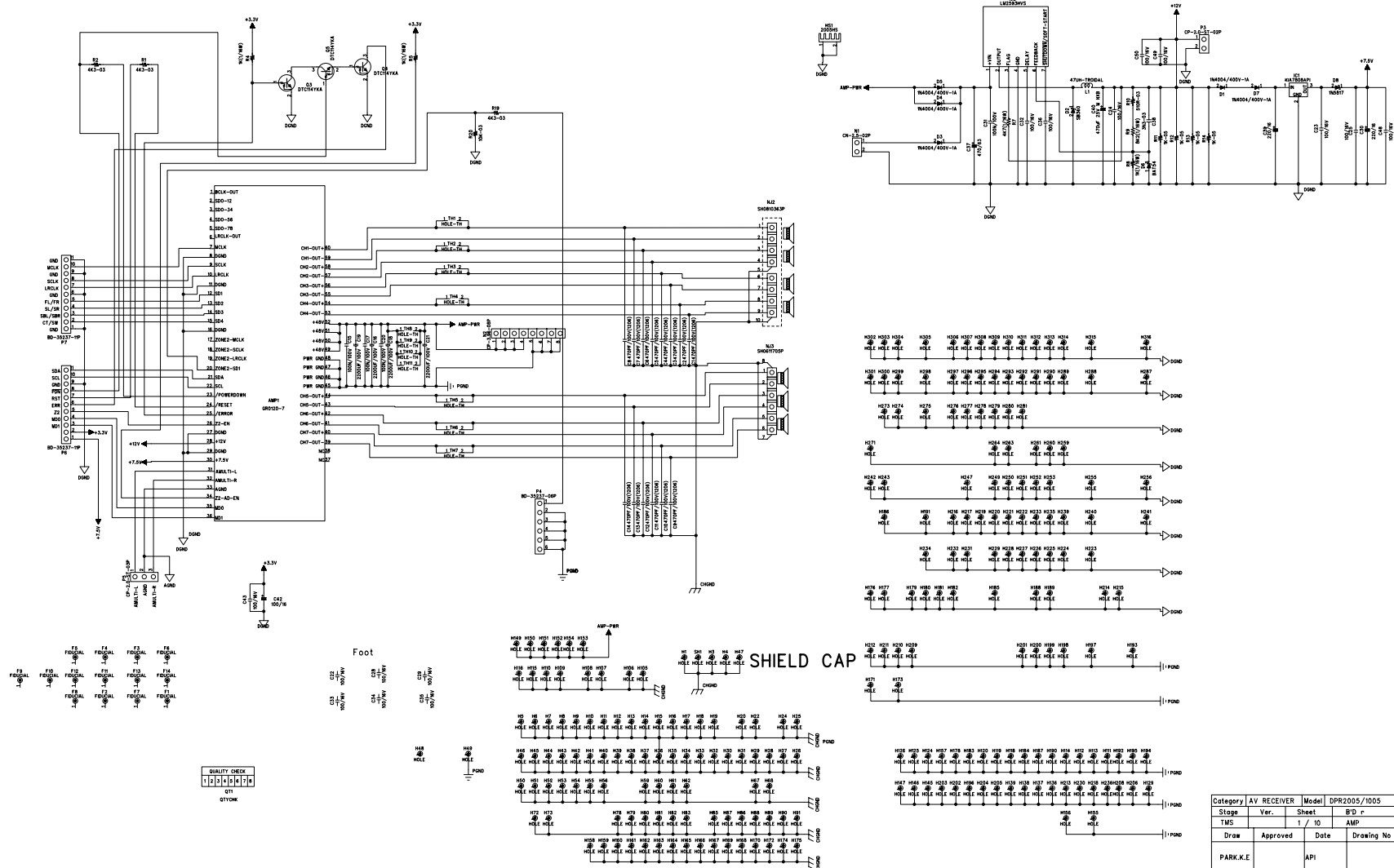
Category	AV RECEIVER	Model	DPR2005/1005
MP			
Stage		1 / 2	VIDEO
Draw	Approved	Date	Drawing No

REVISION RECORD		
No.	Date	Contents

SCHEMATIC DIAGRAM

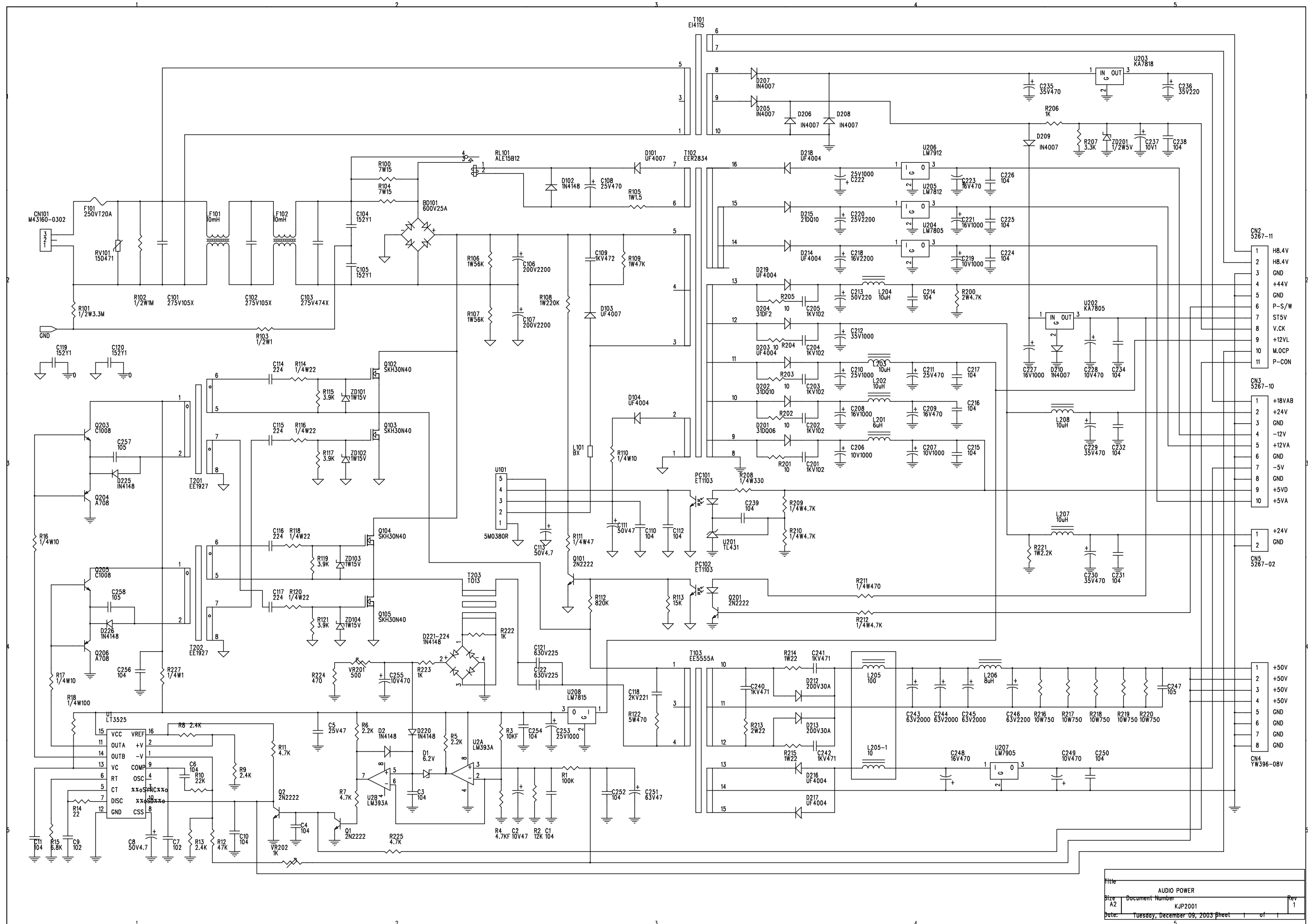
harman kardon DPR2005/1005 AMP B'D (1/2)

G
F
E
D
C
B
A



Category	AV RECEIVER	Model	DPR2005/1005
Stage	Ver.	Sheet	B'D 1
TMS		1 / 10	AMP
Draw	Approved	Date	Drawing No.
PARK,KE	API		

No spare parts available for the SMPS from HCGI use complete SMPS part #H01-ZVD06701301-1



File	AUDIO POWER	
Size	Document Number	Rev 1
A2	KJP2001	
Date:	Tuesday, December 09, 2003 9:00	Sheet 1 of 1

