

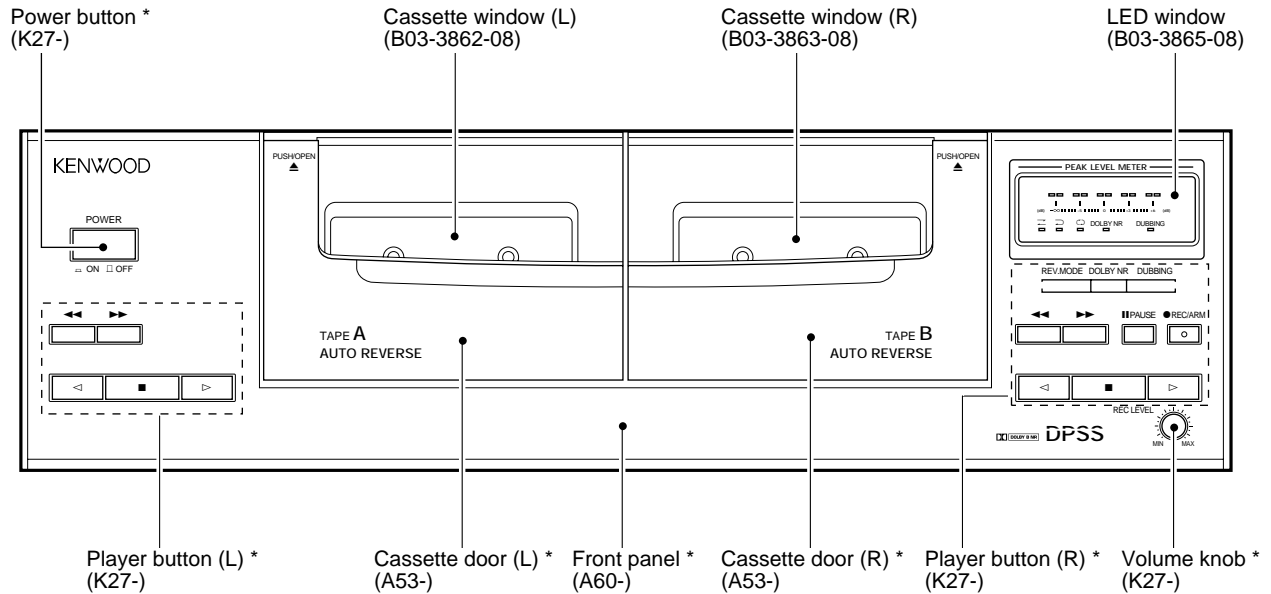
CT-401/403

KXF-W1030/W1030-S

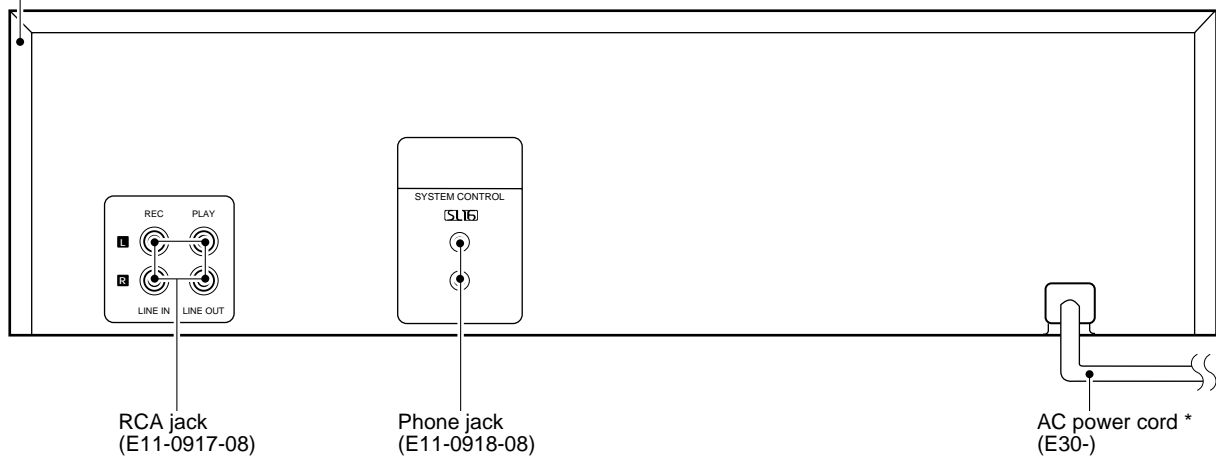
KXF-W3030/W3030E/W3030-S

SERVICE MANUAL

© 2000-2/B51-5600-00 (K/K) 3473



Metallic cabinet * (A01-)



* Illustration is CT-403/KXF-W3030.

* Refer to parts list on page 13.



CT-401/403/KXF-W1030/W3030

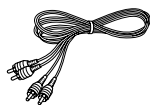
CONTENTS / ACCESSORIES

Contents

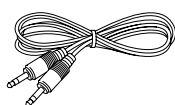
CONTENTS / ACCESSORIES	2	SCHEMATIC DIAGRAM	7
CONTROLS	2	EXPLODED VIEW	12
CIRCUIT DESCRIPTION	3	PARTS LIST	13
ADJUSTMENT	4	SPECIFICATIONS	Back cover
PC BOARD	5		

Accessories

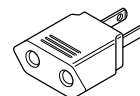
Audio cord..... (2)
(E30-0505-05)



System control cord ... (1)
(E30-2816-05)



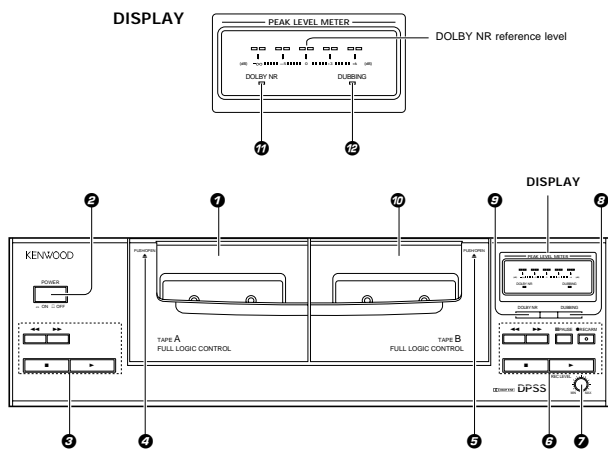
AC plug adaptor..... (1)
(E03-0115-05)



(Except for Europe and Australia)
For the unit with an European AC
plug in areas other than Europe.

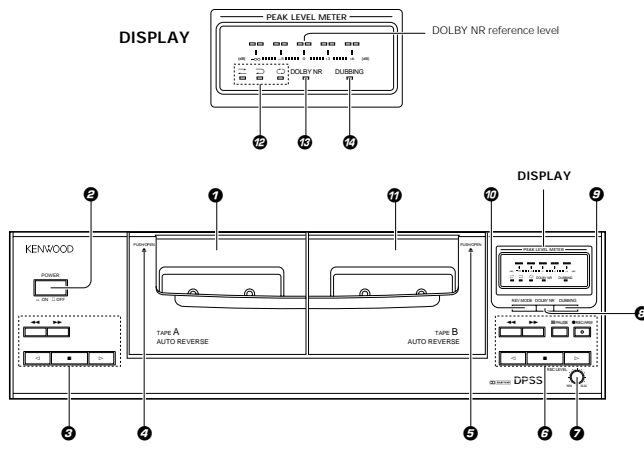
CONTROLS

CT-401/KXF-W1030



- 1 Deck A
Playback-only tape deck.
- 2 POWER switch:
Press to turn power ON and OFF.
- 3 Deck A operation keys
▶ key:
Play key.
◀ key:
Rewind key. (for fast winding of tape toward the left reel seen from you)
▶▶ key:
Fast forward key (for fast winding of tape toward the right reel seen from you)
■ key:
Stop key.
- 4 Cassette holder (Deck A)
Press the area marked "PUSH/OPEN ▲" to load or eject a tape.
- 5 Cassette holder (Deck B)
Press the area marked "PUSH/OPEN ▲" to load or eject a tape.
- 6 Deck B operation keys
▶ key:
Play key.
◀ key:
Rewind key (for fast winding of tape toward the left reel seen from you)
▶▶ key:
Fast forward key (for fast winding of tape toward the right reel seen from you)
■ key:
Stop key.
● REC/ARM key:
Press in stop mode to start recording or press in record mode to let the recording pause after leaving a non-recorded blank of 4 seconds.
- 7 Indicator : (Recording indicator)
■ PAUSE key:
Press to let recording pause temporarily.
- 8 REC LEVEL control:
Adjusts the recording level.
- 9 DUBBING key:
Press to start tape dubbing.
- 10 DOLBY NR key:
Press to select the Dolby Noise Reduction mode.
- 11 Deck B
Tape deck which is capable of both playback and recording.
- 12 DOLBY NR indicator
- 13 DUBBING indicator

CT-403/KXF-W3030



- 1 Deck A
Playback-only tape deck.
- 2 POWER switch:
Press to turn power ON and OFF.
- 3 Deck A operation keys / indicators
◀, ▶ keys : (Play keys)
◀, ▶ indicators : (direction indicators)
Tapes are played in the directions indicated by their respective indicators.
- 4 Deck B
Tape deck which is capable of both playback and recording.
- 5 DOLBY NR indicator
- 6 DUBBING indicator
- 7 Deck B operation keys
◀, ▶ keys : (direction indicators)
▶▶ key:
Fast forward key (for fast winding of tape toward the right reel seen from you)
▶▶▶ key:
Fast forward key (for fast winding of tape toward the right reel seen from you)
■ key:
Stop key.
● REC/ARM key:
Press in stop mode to start recording or press in record mode to let the recording pause after leaving a non-recorded blank of 4 seconds.
- 8 Indicator : (Recording indicator)
■ PAUSE key:
Press to let recording pause temporarily.
- 9 REC LEVEL control:
Adjusts the recording level.
- 10 DOLBY NR key:
Press to select the Dolby Noise Reduction mode.
- 11 DUBBING key:
Press to select the DUBBING mode.
- 12 REV.MODE key:
Press to select the REVERS mode.
- 13 Deck B
This deck is capable of both playback and recording.
- 14 Reverse mode indicators
- 15 DOLBY NR indicator
- 16 DUBBING indicator

1. Pin description of microprocessor. LC865612A(IC302)

Pin No.	Pin Name	I/O	Description	Active	
				H	L
1	AC-CHK	I	Power failure input.	AC on	AC off
2,3	VSS	I	Connected to ground.		
4	SYS-DATA	I	System control data in.		
5	SYS-BUSY	I/O	System control busy output.		
6	DOLBY	O	Dolby NR output.	off	on
7	METER-GAIN	O	Meter amplifier gain control.	other	DPSS
8	REC/PB	O	Dolby NR REC/PB control.	PB	REC
9	PB-EQ/NORMAL	O	PB EQ. switch control.	70u	120u
10	REC-EQ-TYPE 1	O	Rec EQ. switch (TYPE 1) control.	○	
11	REC-EQ-TYPE 2	O	Rec EQ. switch (TYPE 2) control.	○	
12	SYS-DO	O	Connected with system data.		
13	LED-A-FWD PLAY	O	LED control port of A FWD PLAY.		○
14	LED-A-REV PLAY	O	LED control port of A REV PLAY.		○
15	LED-B-REV PLAY	O	LED control port of B REV PLAY.		○
16-20	NC	-	Unused.		
21	SOL-A	O	A deck solenoid control.		
22	SOL-B	O	B deck solenoid control.		
23	VSS	-	Connected to ground.		
24	VDD	-	Power supply(+5.0v).		
25	MECHA-VCC	-	Control port of power supply for deck.	Play	Stop
26	REC	O	Control port of REC/PLAY.	Rec	Other
27	REC-MUTE	O	Muting control port for recording.	Other	Rec
28	A/B	O	Control port of A or B deck.	A play	Other
29	DUBBING	O	Unused.		
30	BIAS	O	Bias control port.	Other	Rec
31	INPUT-MUT	O	Input muting control.	off	on
32	LINE-MUTE	O	Line muting control.	off	on
33	A-REEL	I	Reel puls input of A deck.		
34	HALF-SW	I	Half switch input of A deck.		
35	A-MODE-SW	I	Mode switch input of A deck.	Stop	Play
36	B-REEL	I	Reel puls input of B deck.		
37	B-HALF-SW	I	Half switch input of B deck.		
38	B-MODE-SW	I	Mode switch input of B deck.		
39	B-REC-FWD-SW	I	Forward rec detection switch input.		
40	B-REC-REV-SW	I	Reverse rec detection switch input.		
41	DO	O	Data output to IC601(BU2099FV).		
42	SI	-	Unused.		
43	CLK	O	Clock output to IC601(BU2099FV).		
44	LCK	O	IC601(BU2099FV) LCK.		
45	OE	O	IC601(BU2099FV) OE.		
46	NC	-	Unused.		
47	SDA	O	EE PROM(IC304) SDA.		
48	SCL	O	EE PROM(IC304) SCL.		
49	NC	-	Unused.		
50	RESET	I	Reset signal input.		○
51	VDD	-	Power supply(+5.0v).		
52	NC	-	Unused.		
53	VSS	-	Connected to ground.		
54	CF 6.0 MHz	-	Main system clock.		
55	CF- 6.0 MHz	-	Main system clock.		
56	VDD	-	Power supply(+5.0v).		
57-59	K1-K3	I	Key(1-3) input.		
60	MODE-SW	I	Mode switch input.		
61	NC	-	Unused.		
62	A-CRO2	I	A CrO2 switch input.	CrO2	Nor
63	B-CRO2	I	B CrO2 switch input.	CrO2	Nor
64	METER	I	Input port of level meter.		

2. Pin description of LED driver. (BU2099FV ,IC601)

Pin No.	Pin Name	Description	Active		Remarks
			H	L	
6	L1	Level Meter	X	○	
7	L2	Level Meter	X	○	
8	L3	Level Meter	X	○	
9	L4	Level Meter	X	○	
10	L5	Level Meter	X	○	
11	A-REV	1 WAY/1WAY	X	○	W3030 only
12	B	1WAY/REV	X	○	W3030 only
13	C	REV/REV	X	○	W3030 only
14	B-FWD	B-FWD	X	○	W3030 only
15	REC	REC LED	X	○	
16	NR	DOLBY NR LED	off	on	
17	DUBBING	DUBBING LED	off	on	

○ : LED lights on X : LED lights off

4. Mode SW

Port	SW1	SW2	SW3
(Pin 60)	1 WAY + 1 WAY	1 WAY + REV.	REV. + REV.

() u-COM port

3. Key matrix

Port	SW1	SW2	SW3	SW4	SW5	SW6
K1 (Pin 57)	A FWD PLAY	* A REV PLAY	A STOP	A FF	A REW	-
K2 (Pin 58)	B FWD PLAY	* B REV PLAY	B STOP	B FF	B REW	REC/ARM
K3 (Pin 59)	* REV. MODE	DUBBING	DOLBY NR	B PAUSE	-	-

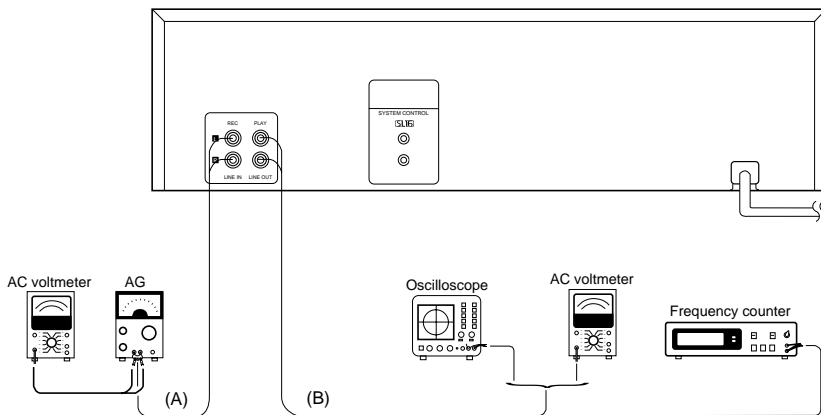
* KXF-W3030 only
() u-COM port

CT-401/403/KXF-W1030/W3030

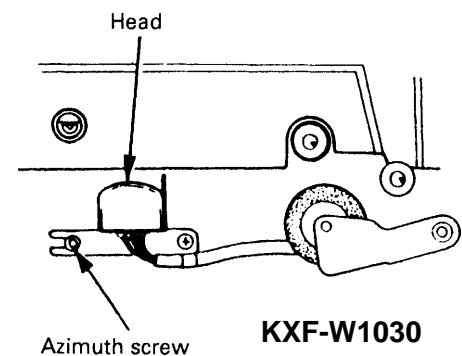
ADJUSTMENT

No.	ITEM	INPUT SETTINGS	OUTPUT SETTINGS	CASSETTE DECK SETTINGS	ALIGNMENT POINT	ALIGN FOR	FLG.
CASSETTE DECK SECTION		TAPE: NORMAL, DOLBY: OFF, INPUT: LINE IN			0 dBs = 0.775 V		
I. REC/PLAY HEAD							
[1]	DEMAGNETIZATION	-	-	POWER OFF Remove the cassette door.	REC/PLAY head	Demagnetize the REC/PLAY head with a head demagnetizer.	
[2]	CLEANING	-	-	PLAY	REC/PLAY head, erase head, capstan pinch roller	Clean the REC/PLAY head, erase head, capstan and pinch roller using a cotton swab slightly dampened with alcohol.	
[3]	AZIMUTH	(A) MTT-114, TCC-153 0 kHz, -10 dB	(B)	PLAY	Azimuth adjustment screw	Maximum output.	(a) (b)
II. DC BOARD							
[1]	TAPE SPEED	(A) MTT-111, TCC-110 3 kHz	(B)	PLAY	SFR301	Adjust the tape speed so that a 3 kHz signal is produced at the center of the tape.	
III. PC BOARD							
< 1 >	PLAYBACK LEVEL	MTT-150 400 Hz (200 nWb)	(B)	PLAY	DECK B SFR101 (L) SFR102 (R)	Output level : ± 1 dBs	
< 2 >	RECORD LEVEL	(A) 1 kHz, -20 dBs	(B)	Record 1kHz and 10kHz in alternation and playback.	SFR107 (L) SFR108 (R)	0 dBs \pm 3 dBs	
< 3 >	BIAS CURRENT	(A) 1 kHz, -20 dBs 10 kHz, -20 dBs	(B)	Record and playback at maximum REC volume position.	SFR105 (L) SFR106 (R)	Record 1 kHz and 10 kHz in alternation and adjust the variable resistors which control the bias current so that the playback level is obtained 0 dBs \pm 3 dBs.	
< 4 >	REC BIAS OSC FREQUENCY	-	-	Recording	L107	105 kHz \pm 3 kHz	(c)

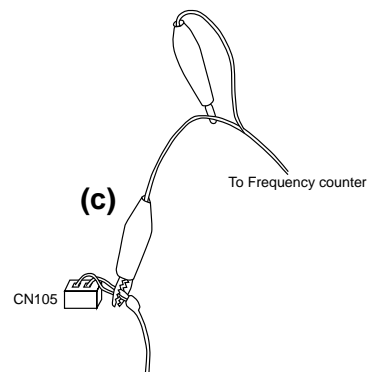
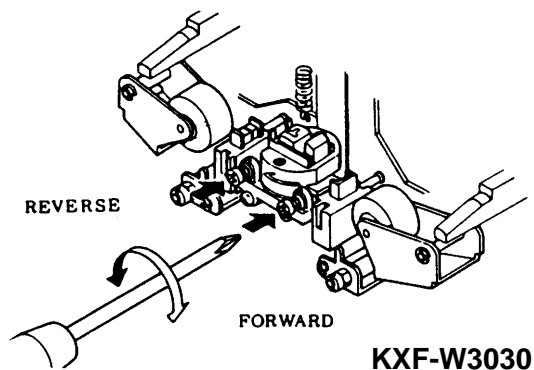
SYSTEM CONNECTIONS



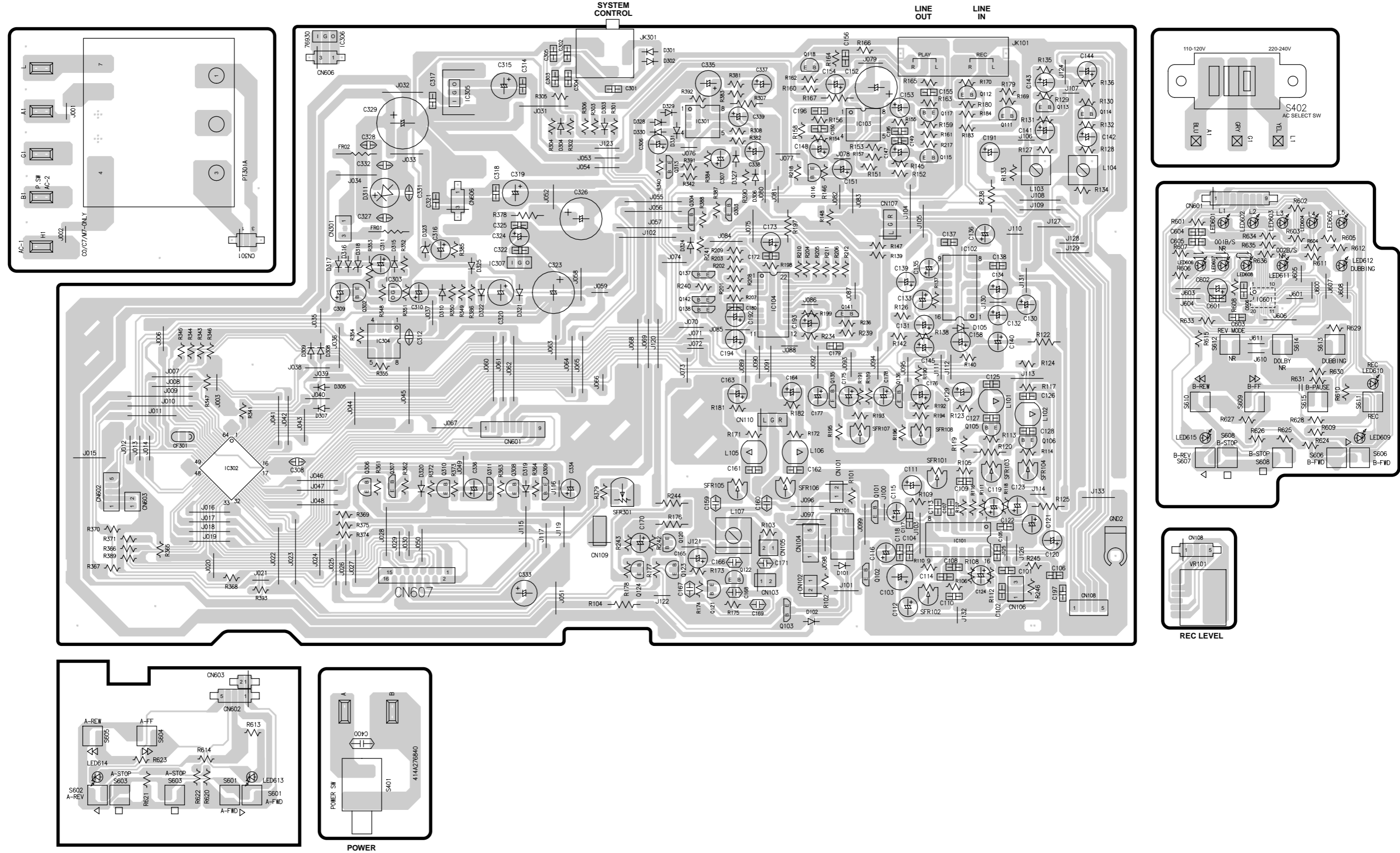
(a) AZIMUTH ADJUSTMENT



(b) AZIMUTH ADJUSTMENT



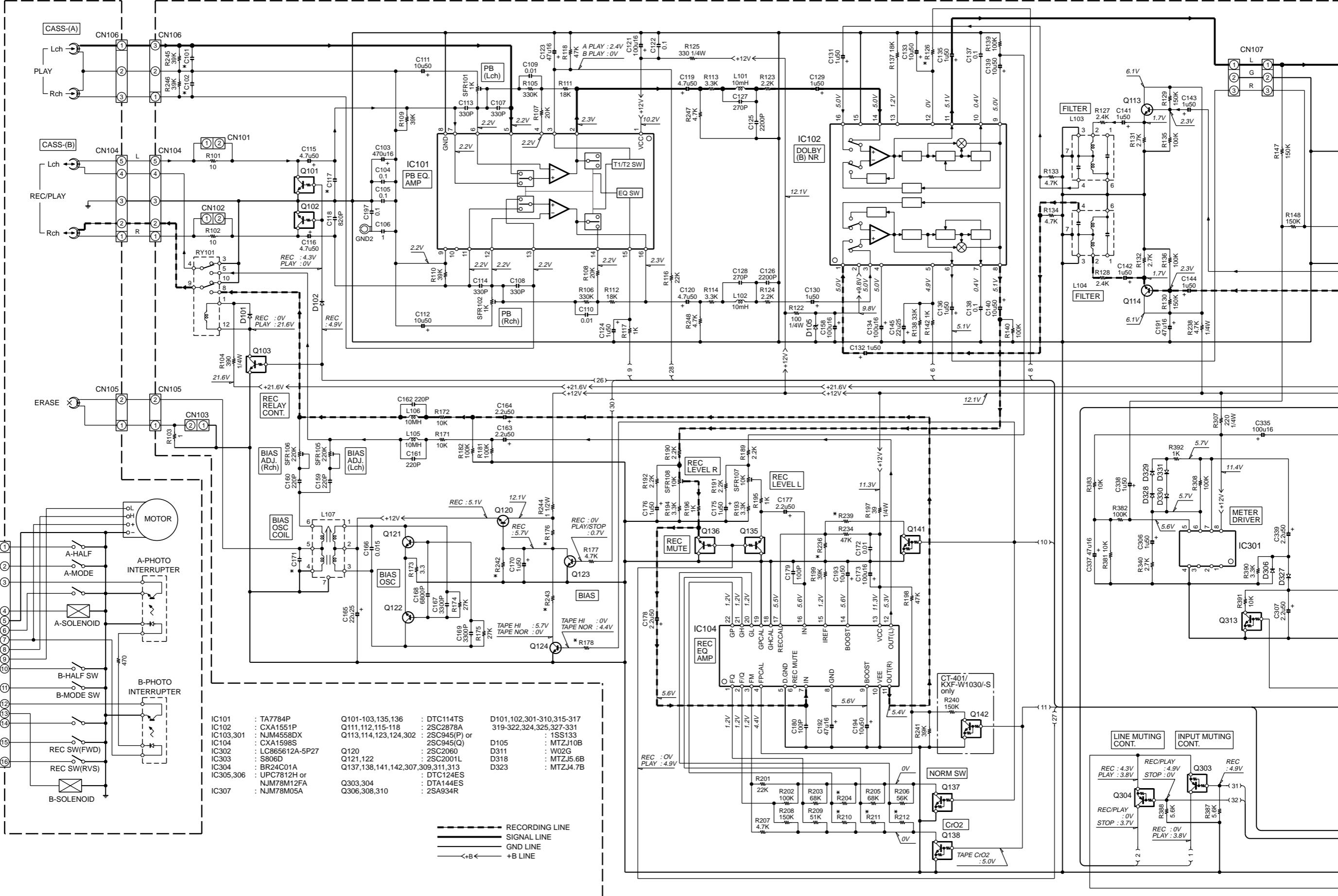
PC BOARD(Component side view)



Refer to the schematic diagram for the value of resistors and capacitors.

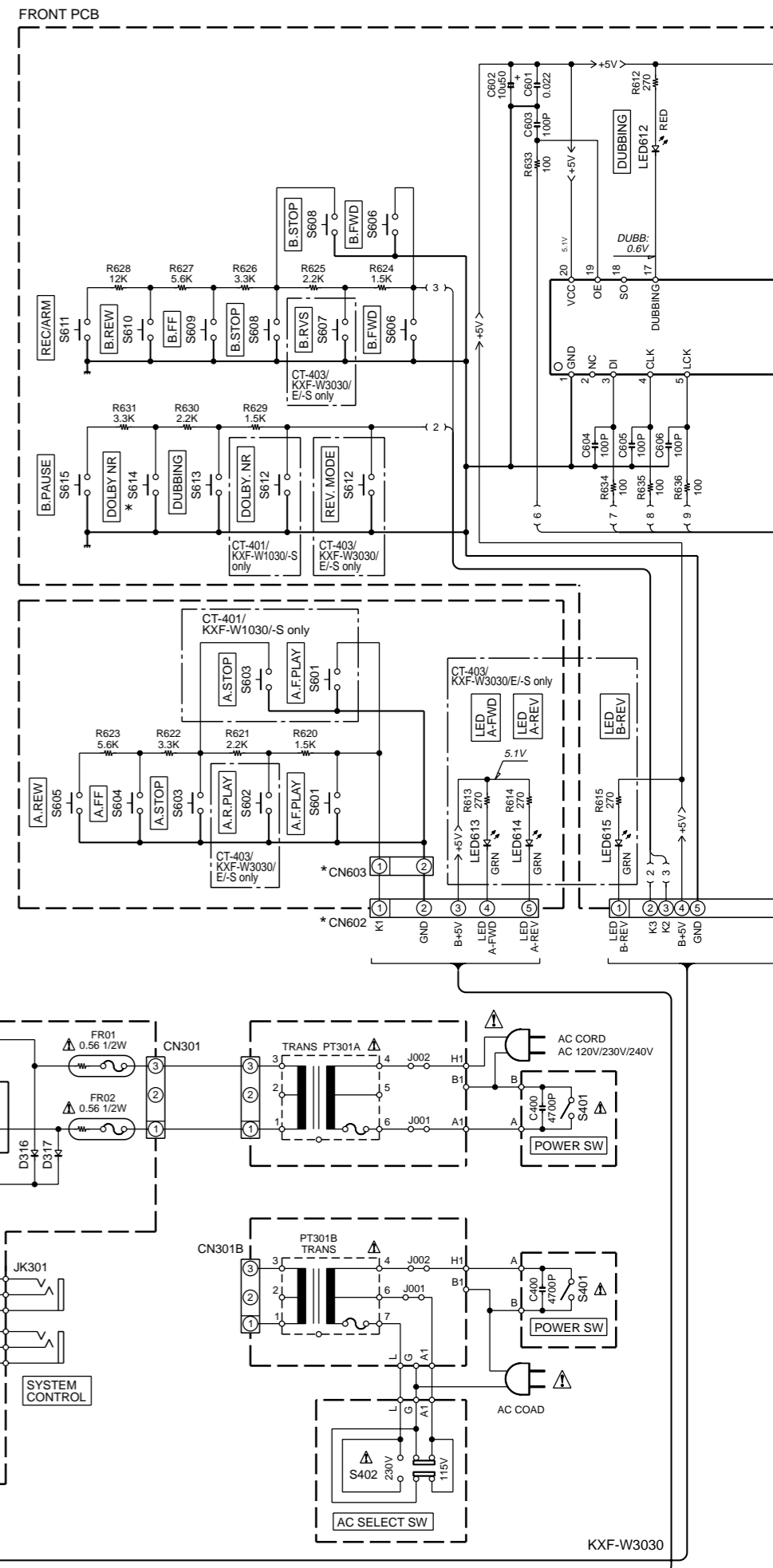
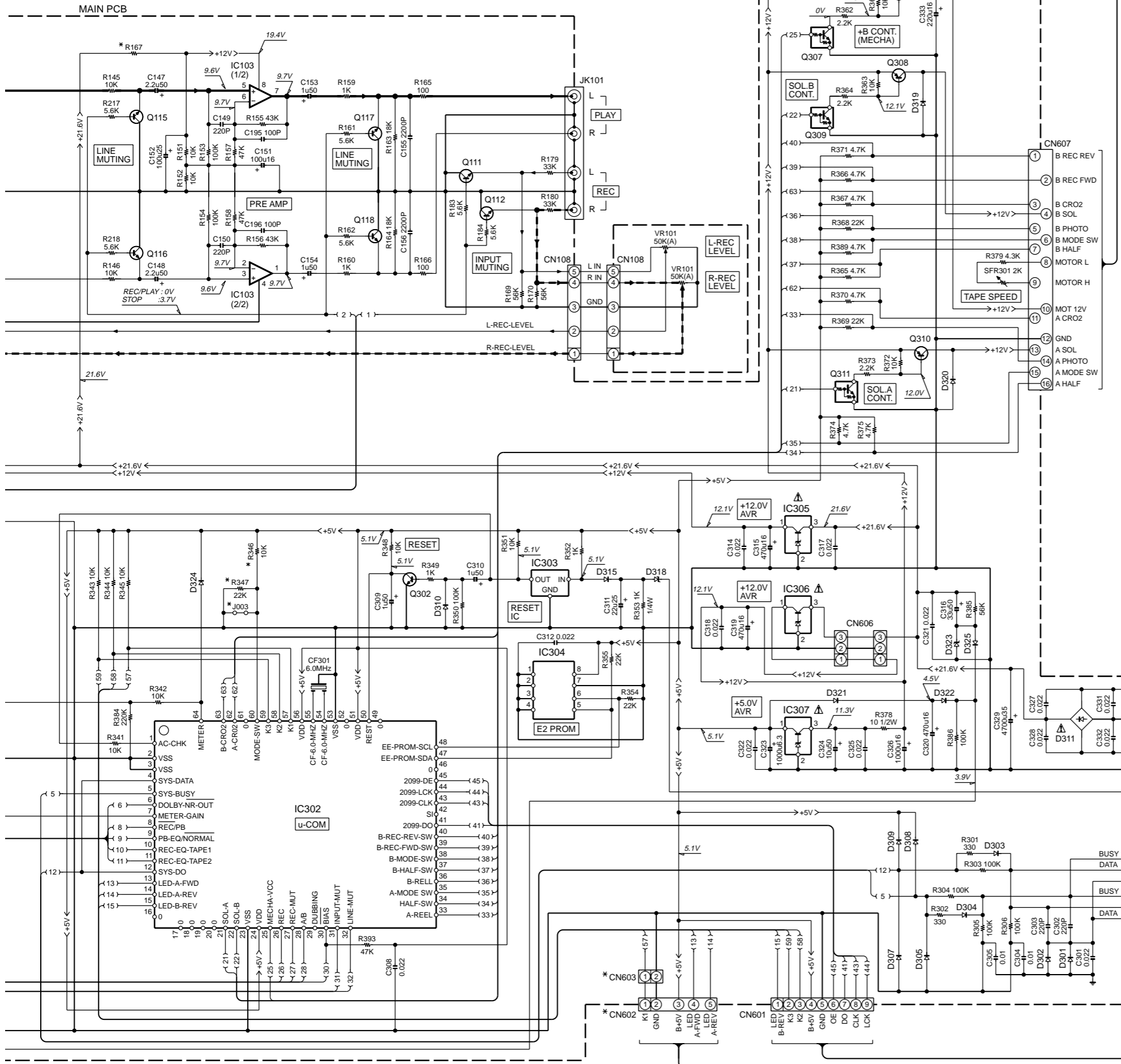
CASSETTE DECK MECHANISM ASS'Y

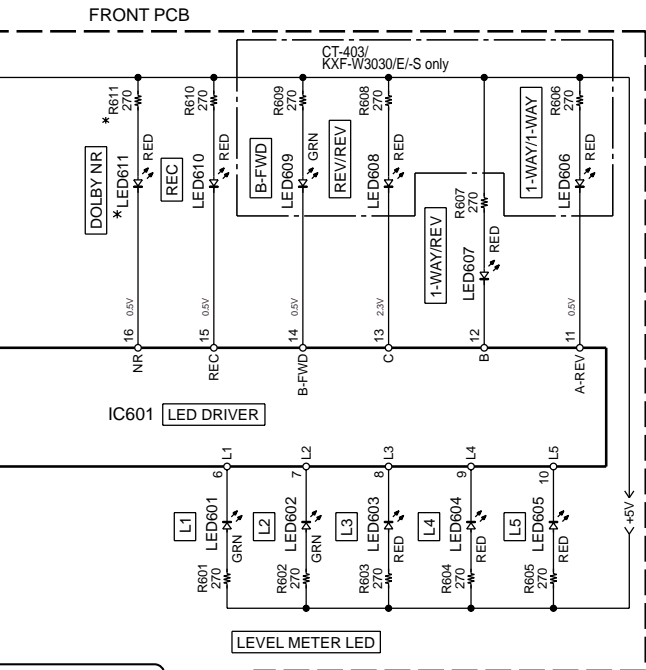
MAIN PCB



- | | | | | | |
|-----------|--------------------------|----------------------------------|----------------|--------------------------|--|
| IC101 | : TA7784P | Q101-103,135,136 | : DTC114TS | D101,102,301-310,315-317 | |
| IC102 | : CXA1551P | Q111,112,115-118 | : 2SC2878A | 319-322,324,325,327-331 | |
| IC103,301 | : NJM4558DX | Q113,114,123,124,302 | : 2SC945(P) or | : 1SS133 | |
| IC104 | : CXA1598S | | : 2SC945(Q) | : MTZJ10B | |
| IC302 | : LC865612A-5P27 | Q120 | : 2SC2060 | : W02G | |
| IC303 | : S806D | Q121,122 | : 2SC2001L | : MTZJ5.6B | |
| IC304 | : BR24C01A | Q137,138,141,142,307,309,311,313 | : DTC124ES | : MTZJ4.7B | |
| IC305,306 | : UPC7812H or NJM78M12FA | Q303,304 | : DTA144ES | | |
| IC307 | : NJM78M05A | Q306,308,310 | : 2SA934R | | |

- - - RECORDING LINE
 ——— SIGNAL LINE
 ——— GND LINE
 <-B- +B LINE

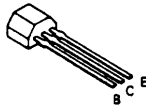
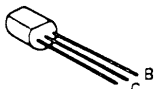




IC601 : BU2099FV
 LED601,602,609,613-615 : B30-2557-08
 LED603-608,610-612 : B30-2578-08

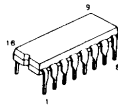
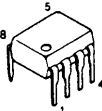
2SA934R
 2SC2060
 2SC2878A
 2SC945

DTA144ES
 DTC114TS
 DTC124ES



NJM4558DX

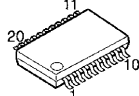
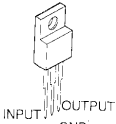
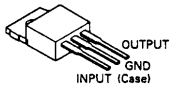
TA7784P



UPC7812H

NJM78M05A

BU2099FV



CT-401

DESTINATION	C101, 102	C117	C171	R126	R167	R176	R204	R210	R211
COUNTRY	ABB.	K	K	10K	100 1/4W	2.7K 1/4W	13K	5.6K	15K
U.S.A.	K	560P	820P	3300P	10K	100 1/4W	2.7K 1/4W	13K	5.6K
CANADA	P								

DESTINATION	C117	R236	R239	R242	R243	R346, 347,611	J003	S614	LED611	CN602	CN603
COUNTRY	ABB.	K	K	82K	8.2K	3.3K	NO	YES	NO	NO	YES
U.S.A.	K	39K	33K	82K	8.2K	3.3K	NO	YES	NO	NO	YES
CANADA	P										

KXF-W1030

DESTINATION	C101, 102	C117	C171	R126	R167	R176	R204	R210	R211
COUNTRY	ABB.	T	T	10K	100 1/4W	2.7K 1/4W	13K	5.6K	15K
U.K.	T	560P	820P	3300P	10K	100 1/4W	2.7K 1/4W	13K	5.6K
EUROPE	E								
PX	Y								

DESTINATION	R212	R236	R239	R242	R243	R346, 347,611	J003	S614	LED611	CN602	CN603
COUNTRY	ABB.	T	T	8.2K	3.3K	NO	YES	NO	NO	NO	YES
U.K.	T	39K	33K	82K	8.2K	3.3K	NO	YES	NO	NO	YES
EUROPE	E										
PX	Y										

KXF-W1030-S

DESTINATION	C101, 102	C117	C171	R126	R167	R176	R204	R210	R211
COUNTRY	ABB.	M	M	10K	100 1/4W	2.7K 1/4W	13K	5.6K	15K
GENERAL MARKET	M	560P	820P	3300P	10K	100 1/4W	2.7K 1/4W	13K	5.6K
AUSTRALIA	X								

DESTINATION	R212	R236	R239	R242	R243	R346, 347,611	J003	S614	LED611	CN602	CN603
COUNTRY	ABB.	M	M	8.2K	3.3K	NO	YES	NO	NO	NO	YES
GENERAL MARKET	M	39K	33K	82K	8.2K	3.3K	NO	YES	NO	NO	YES
AUSTRALIA	X										

CT-403

DESTINATION	C101, 102,117	C171	R126	R167	R176	R204	R210	R211, 212		
COUNTRY	ABB.	K	1000P	8200P	4.7K	470 1/4W	3.3K 1/4W	18K	10K	56K
U.S.A.	K	1000P	8200P	4.7K	470 1/4W	3.3K 1/4W	18K	10K	56K	

DESTINATION	R236	R239	R242	R243	R346, 347,611	J003	S614	LED611	CN602	CN603	
COUNTRY	ABB.	K	82K	39K	3.3K	3.9K	YES	NO	YES	YES	NO
U.S.A.	K	82K	39K	3.3K	3.9K	YES	NO	YES	YES	NO	

KXF-W3030

DESTINATION	C101, 102,117	C171	R126	R167	R176	R204	R210	R211, 212		
COUNTRY	ABB.	E	1000P	8200P	4.7K	470 1/4W	3.3K 1/4W	18K	10K	56K
EUROPE	E	1000P	8200P	4.7K	470 1/4W	3.3K 1/4W	18K	10K	56K	
PX	Y									

DESTINATION	R236	R239	R242	R243	R346, 347,611	J003	S614	LED611	CN602	CN603	
COUNTRY	ABB.	E	82K	39K	3.3K	3.9K	YES	NO	YES	YES	NO
EUROPE	E	82K	39K	3.3K	3.9K	YES	NO	YES	YES	NO	
PX	Y										

KXF-W3030E

DESTINATION	C101, 102,117	C171	R126	R167	R176	R204	R210	R211, 212		
COUNTRY	ABB.	E2	1000P	8200P	4.7K	470 1/4W	3.3K 1/4W	18K	10K	56K
EUROPE	E2	1000P	8200P	4.7K	470 1/4W	3.3K 1/4W	18K	10K	56K	

DESTINATION	R236	R239	R242	R243	R346, 347,611	J003	S614	LED611	CN602	CN603	
COUNTRY	ABB.	E2	82K	39K	3.3K	3.9K	YES	NO	YES	YES	NO
EUROPE	E2	82K	39K	3.3K	3.9K	YES	NO	YES	YES	NO	

CT-403-S

DESTINATION	C101, 102,117	C171	R126	R167	R176	R204	R210	R211, 212		
COUNTRY	ABB.	K1	1000P	8200P	4.7K	470 1/4W	3.3K 1/4W	18K	10K	56K
U.S.A.	K1	1000P	8200P	4.7K	470 1/4W	3.3K 1/4W	18K	10K	56K	
CANADA	P1									

DESTINATION	R236	R239	R242	R243	R346, 347,611	J003	S614	LED611	CN602	CN603	
COUNTRY	ABB.	K1	82K	39K	3.3K	3.9K	YES	NO	YES	YES	NO
U.S.A.	K1	82K	39K	3.3K	3.9K	YES	NO	YES	YES	NO	
CANADA	P1										

KXF-W3030-S

DESTINATION	C101, 102,117	C171	R126	R167	R176	R204	R210	R211, 212		
COUNTRY	ABB.	E3	1000P	8200P	4.7K	470 1/4W	3.3K 1/4W	18K	10K	56K
EUROPE	E3	1000P	8200P	4.7K	470 1/4W	3.3K 1/4W	18K	10K	56K	
GENERAL MARKET	M									

DESTINATION	R236	R239	R242	R243	R346, 347,611	J003	S614	LED611	CN602	CN603	
COUNTRY	ABB.	E3	82K	39K	3.3K	3.9K	YES	NO	YES	YES	NO
EUROPE	E3	82K	39K	3.3K	3.9K	YES	NO	YES	YES	NO	
GENERAL MARKET	M										

CAUTION: For continued safety, replace safety critical components only with manufacturer's recommended parts (refer to parts list). Δ indicates safety critical components. For continued protection against risk of fire, replace only with same type and rating fuse(s). To reduce the risk of electric shock, leakage-current or resistance measurements shall be carried out (exposed parts are acceptably insulated from the supply circuit) before the appliance is returned to the customer.

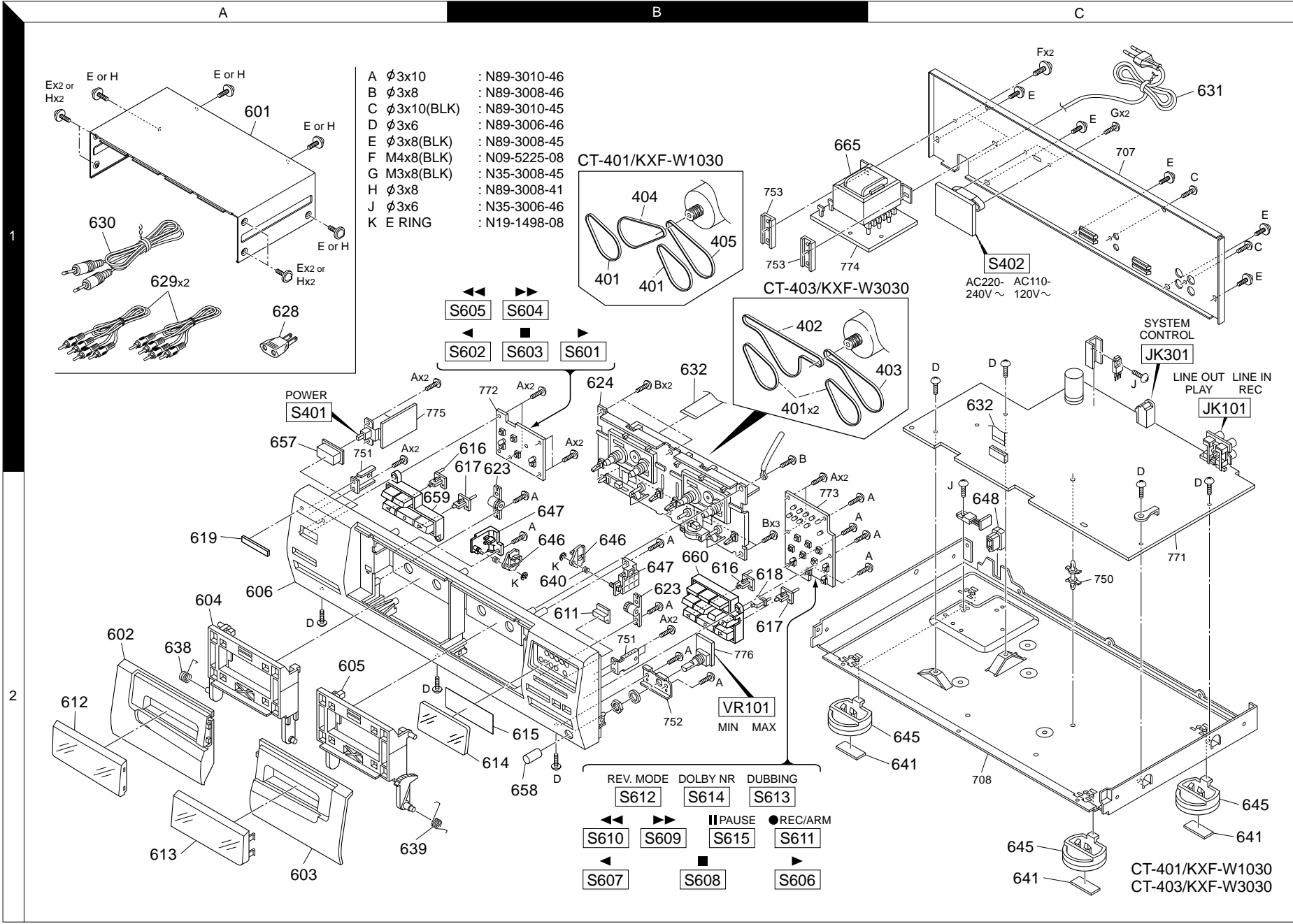
The DC voltage is an actual reading measured with a high impedance type voltmeter with a cassette loaded at playback mode. The measurement value may vary depending on the measuring instruments used or on the product. Bias circuit DC voltage is measured while in the record mode.

DOLBY and the double-D symbol are trademarks of Dolby Laboratories Licensing Corporation. Noise reduction circuit made under license from Dolby Laboratories Licensing Corporation.

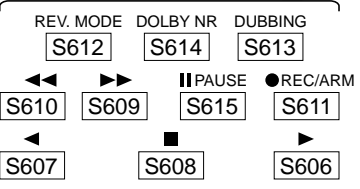
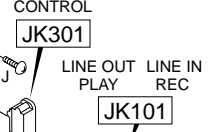
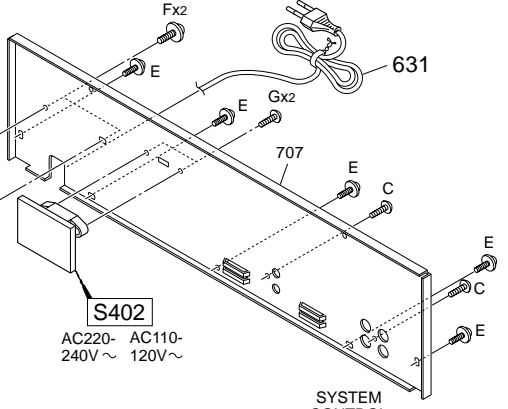
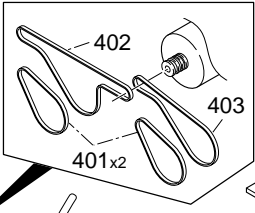
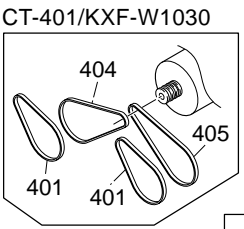
CT-401/403/KXF-W1030/W3030

CT-401/403/KXF-W1030/W3030

EXPLODED VIEW (UNIT)



A	φ3x10	:	N89-3010-46
B	φ3x8	:	N89-3008-46
C	φ3x10(BLK)	:	N89-3010-45
D	φ3x6	:	N89-3006-46
E	φ3x8(BLK)	:	N89-3008-45
F	M4x8(BLK)	:	N09-5225-08
G	M3x8(BLK)	:	N35-3008-45
H	φ3x8	:	N89-3008-41
J	φ3x6	:	N35-3006-46
K	E RING	:	N19-1498-08



CT-401/KXF-W1030
CT-403/KXF-W3030

Parts with exploded numbers larger than 700 are not supplied.

* New Parts

Parts without **Parts No.** are not supplied.
Les articles non mentionnés dans le **Parts No.** ne sont pas fournis.
Teile ohne **Parts No.** werden nicht geliefert.

5

Ref. No	Add-ress	New Parts	Parts No.	Description	Desti-nation	Re-marks
SFR107,108 SFR301 VR101			R12-1617-05 R12-3685-05 R31-0106-08	SFR 10KB 5226103170 SFR 2.2KB 5226222170 VR 50KAX2 5023254335		
RY101 S401 S401 S402 S601		*	S76-0109-08 S68-0041-08 S68-0129-08 S62-0083-08 S68-0039-08	MAGNETIC REYAY 4390000068 SW PUSH POWER 4430102450 SW PUSH POWER K611510101 AC SLIDE SW 4410206199 TACT SW 4400000156	MY	
S602 S603-605 S606 S607 S608-613			S68-0039-08 S68-0039-08 S68-0039-08 S68-0039-08 S68-0039-08	TACT SW 4400000156 TACT SW 4400000156 TACT SW 4400000156 TACT SW 4400000156 TACT SW 4400000156		3 3 3
S614 S615			S68-0039-08 S68-0039-08	TACT SW 4400000156 TACT SW 4400000156		3
D101,102 D105 D301-310 D311 D315-317			1S5133 MTZJ10B 1S5133 W02G 1S5133	DIODE ZENER DIODE DIODE DIODE DIODE		
D318 D319-322 D323 D324,325 D327-331			MTZJ5.6B 1S5133 MTZJ4.7B 1S5133 1S5133	ZENER DIODE DIODE ZENER DIODE DIODE DIODE		
IC101 IC102 IC103 IC104 IC301		*	TA7784P CXA1551P NJM4558DX CXA1598S NJM4558DX	IC(PB AMP) IC IC(OP AMP X2) IC IC(OP AMP X2)		
IC302 IC303 IC304 IC305,306 IC305,306 IC307 IC601 LED601,602 LED603-605 LED606		*	LC865612A-5P27 S806D BR24C01A NJM78M12FA UPC7812H NJM78M05A BU2099FV B30-2577-08 B30-2578-08 B30-2578-08	IC IC IC IC(VOLTAGE REGULATOR/ +12V) IC(VOLTAGE REGULATOR/ +12V) IC(VOLTAGE REGULATOR/+5V) IC(OUT PUT EXPANDER) LED(GRN) 412061CHGE LED(RED) 412061CHE2 LED(RED) 412061CHE2		3 3
LED607 LED608		*	B30-2578-08 B30-2578-08	LED(RED) 412061CHE2 LED(RED) 412061CHE2		3 3
LED609 LED610 LED611 LED612 LED613-615		*	B30-2577-08 B30-2578-08 B30-2578-08 B30-2578-08 B30-2577-08	LED(GRN) 412061CHGE LED(RED) 412061CHE2 LED(RED) 412061CHE2 LED(RED) 412061CHE2 LED(GRN) 412061CHGE		3 3 3 3
Q101-103 Q111,112 Q113,114 Q113,114 Q115-118 Q120			DTC114TS 2SC2878A 2SC945(P) 2SC945(Q) 2SC2878A 2SC2060	TRANSISTOR TRANSISTOR TRANSISTOR TRANSISTOR TRANSISTOR TRANSISTOR		

L : Scandinavia K : USA P : Canada R : Mexico C : China I : Malaysia
Y : PX(Far East,Hawaii) T : England E : Europe G : Germany V : China(Shanghai)
Y : AAFES(Europe) X : Australia Q : Russia H : Korea M : Other Areas Δ indicates safety critical components .

* New Parts

Parts without **Parts No.** are not supplied.
Les articles non mentionnés dans le **Parts No.** ne sont pas fournis.
Teile ohne **Parts No.** werden nicht geliefert.

6

Ref. No	Add-ress	New Parts	Parts No.	Description	Desti-nation	Re-marks
Q121,122 Q123,124 Q123,124 Q135,136 Q137,138			2SC2001L 2SC945(P) 2SC945(Q) DTC114TS DTC124ES	TRANSISTOR TRANSISTOR TRANSISTOR TRANSISTOR TRANSISTOR		
Q141 Q142 Q302 Q302 Q303,304			DTC124ES DTC124ES 2SC945(P) 2SC945(Q) DTA144ES	TRANSISTOR TRANSISTOR TRANSISTOR TRANSISTOR TRANSISTOR		1
Q306 Q307 Q308 Q309 Q310			2SA934R DTC124ES 2SA934R DTC124ES 2SA934R	TRANSISTOR TRANSISTOR TRANSISTOR TRANSISTOR TRANSISTOR		
Q311 Q313			DTC124ES DTC124ES	TRANSISTOR TRANSISTOR		
CASSETTE MECHANISM						
401 402 403 404 405		*	D16-0750-08 D16-0751-08 D16-0752-08 D16-0753-08 D16-0754-08	BELT REV(A1,B1)02-083-4188 BELT REV(A2) 02-084-4203 BELT REV(B2) 02-083-4205 BELT 1-WAY(A2) 02-084-4202 BELT 1-WAY(B2) 02-084-4204		3 3 1 1

L : Scandinavia K : USA P : Canada R : Mexico C : China I : Malaysia
Y : PX(Far East,Hawaii) T : England E : Europe G : Germany V : China(Shanghai)
Y : AAFES(Europe) X : Australia Q : Russia H : Korea M : Other Areas Δ indicates safety critical components .

HOW TO READ THE PARTS LIST

ABBREVIATION OF MODEL AND MASS PRODUCTION'S DESTINATIONS

MODEL	ABB.	Australia	Canada	China	England	Europe	Germany	Korea	Malaysia
CT-401	1	-	P	-	-	-	-	-	-
KXF-W1030	1	-	-	-	T	E	-	-	-
KXF-W1030-S	1	X	-	-	-	-	-	-	-
CT-403	3	-	-	-	-	-	-	-	-
KXF-W3030	3	-	-	-	-	E	-	-	-
KXF-W3030E	3	-	-	-	-	E2	-	-	-
CT-403-S	3	-	P1	-	-	-	-	-	-
KXF-W3030-S	3	-	-	-	-	E3	-	-	-
MODEL	ABB.	Mexico	PX/AAFES	Russia	Scandinavia	Shanghai	USA	Other area	
CT-401	1	-	-	-	-	-	K	-	-
KXF-W1030	1	-	Y	-	-	-	-	-	-
KXF-W1030-S	1	-	-	-	-	-	-	M	-
CT-403	3	-	-	-	-	-	K	-	-
KXF-W3030	3	-	Y	-	-	-	-	-	-
KXF-W3030E	3	-	-	-	-	-	-	-	-
CT-403-S	3	-	-	-	-	-	K1	-	-
KXF-W3030-S	3	-	-	-	-	-	-	M	-

PARTS LIST

CT-401/403/KXF-W1030/W3030

CT-401/403/KXF-W1030/W3030

SPECIFICATIONS

Track System 4 track, 2 channel stereo
Recording System AC bias (Frequency: 105 kHz)
Heads A DECK
 Playback heads 1
 B DECK
 Playback / recording heads 1
 Erasing head 1
Motors A and B DECK 1
Wow and Flutter 0.3 % (W.RMS)
Frequency Response
TYPE I Tape 30 Hz to 13,000 Hz, ± 3 dB
TYPE II Tape 30 Hz to 13,000 Hz, ± 3 dB
Signal to Noise Ratio
Dolby NR OFF 57 dB
Dolby B NR ON (3rd, H.D., 3 %, TYPE II Tape) 66 dB

Input sensitivity / Impedance
LINE IN 122.8 mV / 54 k Ω
Output Level / Impedance
LINE OUT 775 mV / 1.1 k Ω

[General]

Power Consumption 14 W
Dimensions W :440mm (17-5/16")
 H :128 mm (5-1/16")
 D : 270 mm (10-5/8")
Weight (Net) 4.1 kg (9.0 lb)



1. KENWOOD follows a policy of continuous advancements in development. For this reason specifications may be changed without notice.
2. The full performance may not be exhibited in extremely cold location (under a water-freezing temperature).

Note:

Component and circuit are subject to modification to insure best operation under differing local conditions. This manual is based on Europe (E) standard, and provides information on regional circuit modification through use of alternate schematic diagrams, and information on regional component variations through use of parts list.

KENWOOD CORPORATION

14-6, Dogenzaka 1-chome, Shibuya-ku, Tokyo, 150-8501 Japan

KENWOOD SERVICE CORPORATION

P.O BOX 22745, 2201 East Dominguez St., Long Beach, CA 90801-5745, U.S.A.

KENWOOD ELECTRONICS CANADA INC.

6070 Kestrel Road, Mississauga, Ontario, Canada L5T 1S8

KENWOOD ELECTRONICS LATIN AMERICA S.A.

P.O BOX 55-2791, Piso 6 plaza Chase, Cl. 47 y Aquilino de la Guardia Panama, Republic de Panama

KENWOOD ELECTRONICS BRASIL LTDA.

Av. Moema, 170-17, Andar-Cobertura "B", Ed. Maximum Service Center, 04077-020 Moema, São Paulo-SP-Brasil

KENWOOD ELECTRONICS U.K. LIMITED

KENWOOD House, Dwight Road, Watford, Herts., WD1 8EB., United Kingdom

KENWOOD ELECTRONICS BELGIUM N.V.

Meachelsesteenweg 418, B-1930 Zaventem, Belgium

KENWOOD ELECTRONICS DEUTSCHLAND GMBH

Rembrücker Str. 15, 63150 Heusenstamm, Germany

KENWOOD ELECTRONICS FRANCE S.A.

13 Boulevard Ney, 75018 Paris, France

KENWOOD ELECTRONICS ITALIA S.p.A.

Via G. Sirtori, 7/9 20129, Milano, Italy

KENWOOD IBÉRICA S.A.

Bolivia, 239-08020 Barcelona, Spain

KENWOOD ELECTRONICS AUSTRALIA PTY. LTD.

(A.C.N. 001 499 074)
16 Giffnock Avenue, North Ryde, N.S.W. 2113, Australia

KENWOOD ELECTRONICS (HONG KONG) LTD.

Unit 3712-3724, Level 37, Tower 1, Metroplaza, 223 Hing Fong Road, Kwai Fong N.T., Hong Kong

KENWOOD ELECTRONICS GULF FZE

P.O.Box 61318, Jebel Ali, Dubai, U.A.E.

KENWOOD ELECTRONICS SINGAPORE PTE LTD.

No. 1 Genting Lane #02-02, KENWOOD Building, Singapore, 349544

KENWOOD ELECTRONICS (MALAYSIA) SDN BHD.

#4.01 Level 4, Wisma Academy Lot 4A, Jalan 19/1 46300 Petaling Jaya Selangor Darul Ehsan Malaysia

KENWOOD ELECTRONICS (THAILAND) CO., LTD.

2019 New Pechburi Road, Bangkapi, Huaykwang, Bangkok, 10320 Thailand