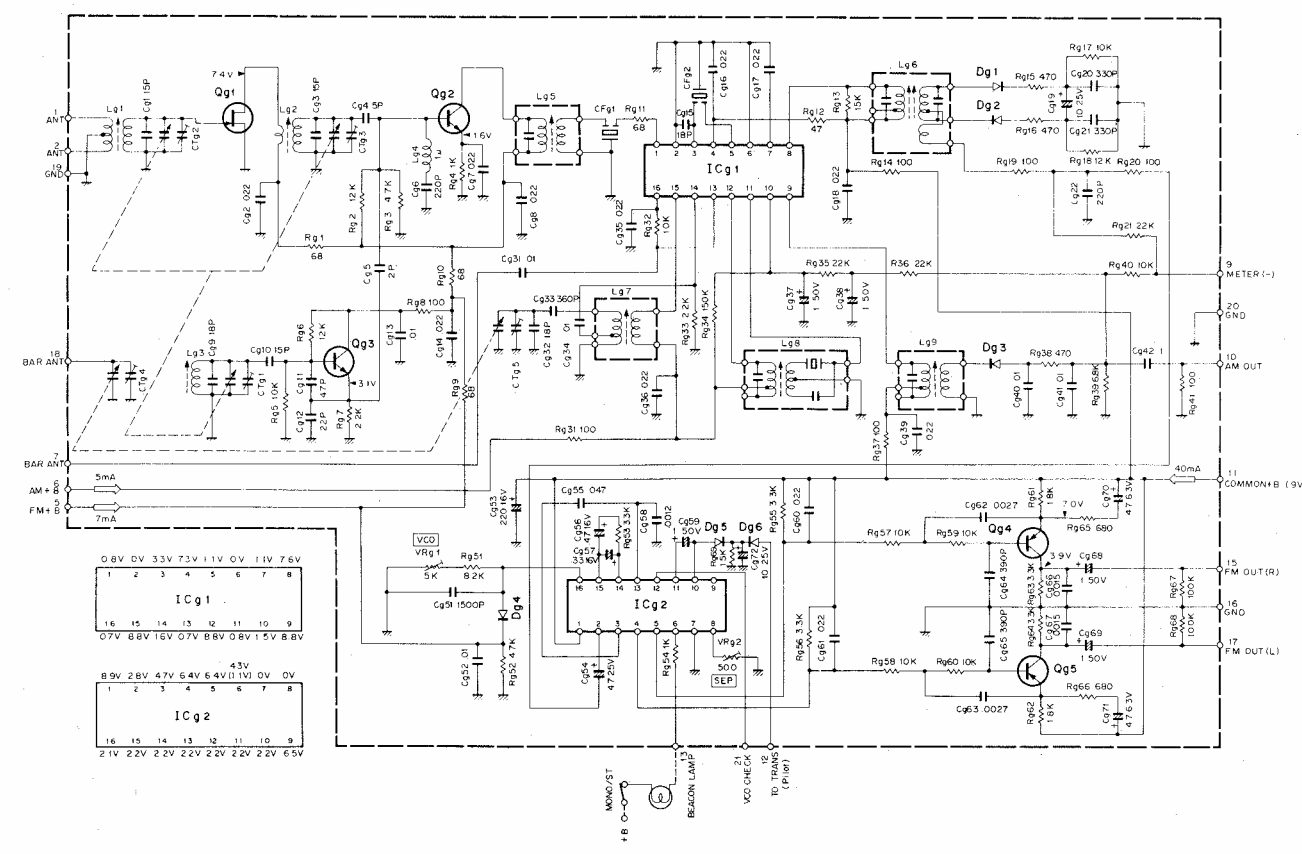
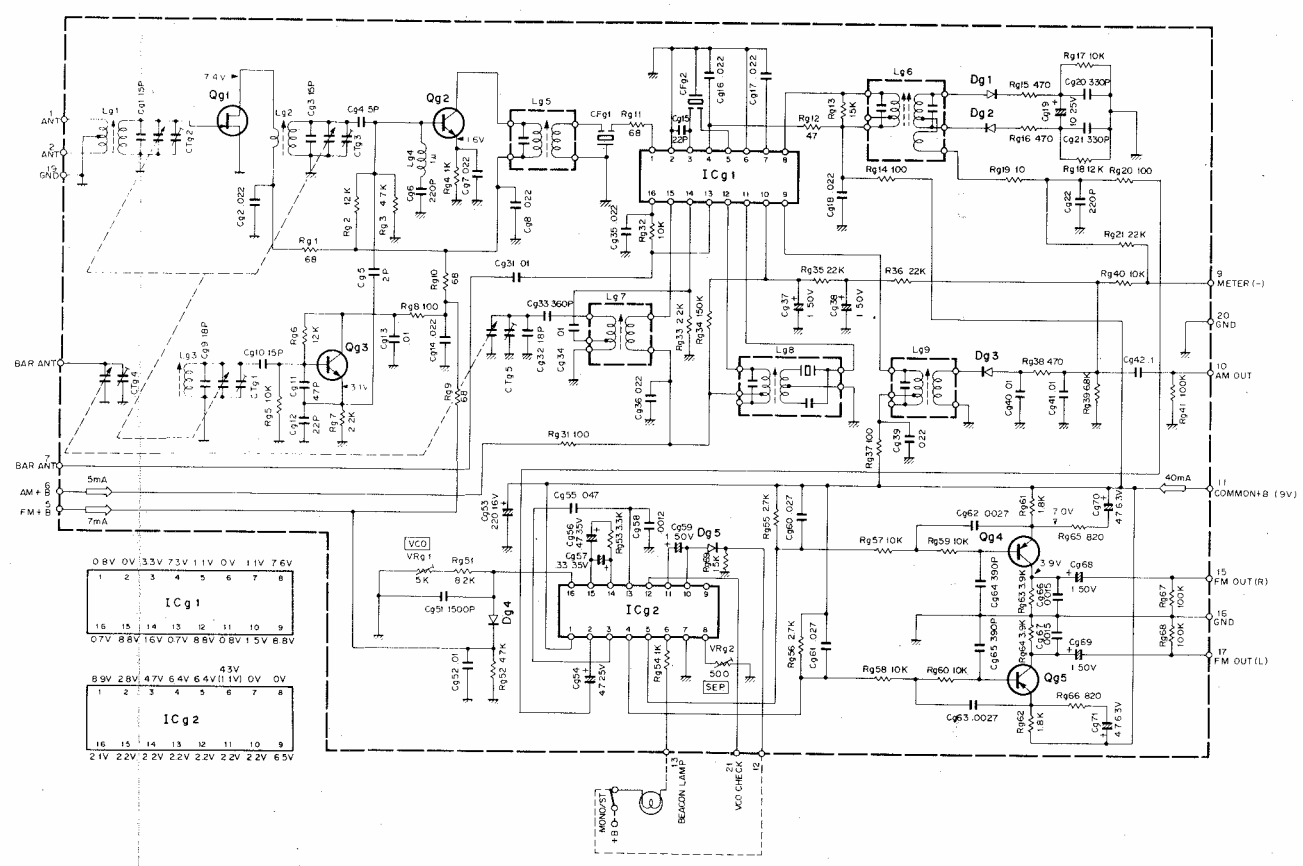


The tuner unit of KR-2600 is changed from X05-1300-10 to X05-1450-10.  
APPLICATION : From Serial No. 440001.  
DC voltages are measured at no signal. (except ( ) : stereo)



Qg1:2SK55(D) or (E), Qg2:2SC381(O), Qg3:2SC1342(A) or (B), Qg4, 5:2SA640(E) or (F),  
Dg1, 2, 4~6:1S2076 or 1S1555, Dg3:1N60, ICg1:AN217BB, ICg2:LA3350S

The KR-2600 schematic and PC board had been changed.  
APPLICATION: From Serial No. 540850.  
DC voltages are measured at no signal. (except ( ) : stereo)



Qg1:2SK55(D) or (E), Qg2:2SC381(O), Qg3:2SC1342(A) or (B), Qg4, 5:2SA640(E) or (F),  
Dg1, 2, 4, 5:1S2076 or 1S1555, Dg3:1N60, ICg1:AN217BB, ICg2:LA3350S-L6