

Service Manual

ZR6001 /N1B/N1S/U1B

AV Surround Receiver

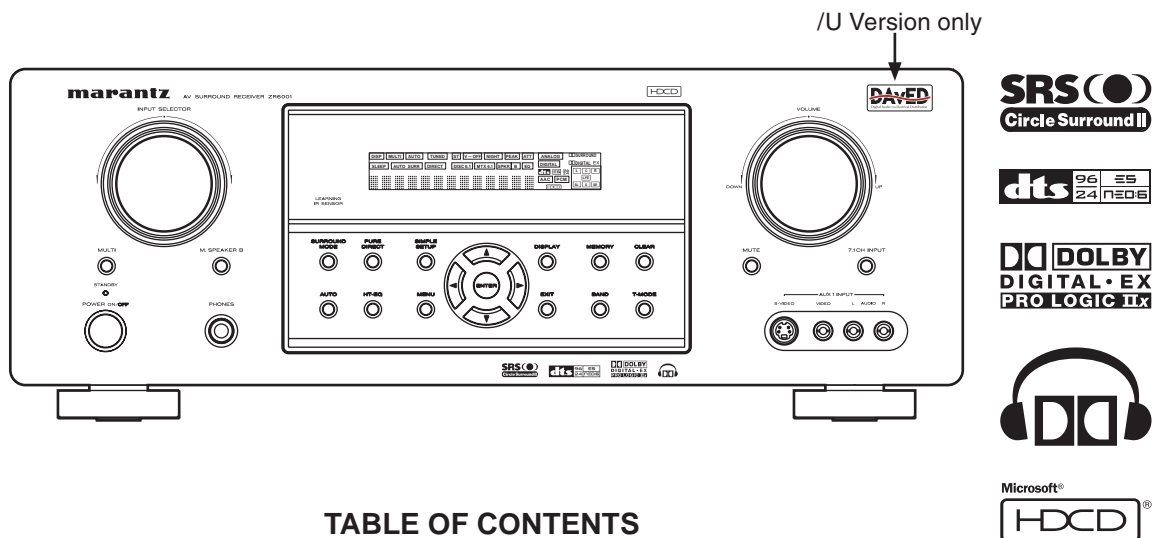


TABLE OF CONTENTS

SECTION	PAGE
1. TECHNICAL SPECIFICATIONS	1
2. TECHNICAL DESCRIPTION	3
3. POWER AMPLIFIER ADJUSTMENT	8
4. SERVICE MODE	8
5. SYSTEM ERROR	10
6. UPDATE FIRMWARE	11
[A] SOFTWARE (fdtv30300.exe) DOWNLOAD AND INSTALL PROCEDURE	11
[B] WRITING AND UPDATE SOFTWARE	26
Mode 1 : Update DSP's software to 4M Flash-ROM	27
Mode 2 : Update MAIN CPU's software to internal Flash-ROM	31
Mode 3 : Update SUB CPU's software to internal Flash-ROM	36
Mode 4 : Update PLC's firmware to PLC MODULE	46
7. WIRING DIAGRAM	51
8. BLOCK DIAGRAM	53
9. SCHEMATIC DIAGRAM	55
10. PARTS LOCATION	75
11. IC DATA	91
12. EXPLODED VIEW AND PARTS LIST	107
13. ELECTRICAL PARTS LIST	111

Please use this service manual with referring to the user guide (D.F.U.) without fail.
 修理の際は、必ず取扱説明書を準備し操作方法を確認の上作業を行ってください。

marantz®

ZR6001

MARANTZ DESIGN AND SERVICE

Using superior design and selected high grade components, **MARANTZ** company has created the ultimate in stereo sound. Only original **MARANTZ** parts can insure that your **MARANTZ** product will continue to perform to the specifications for which it is famous.

Parts for your **MARANTZ** equipment are generally available to our National Marantz Subsidiary or Agent.

ORDERING PARTS :

Parts can be ordered either by mail or by Fax.. In both cases, the correct part number has to be specified.

The following information must be supplied to eliminate delays in processing your order :

1. Complete address
2. Complete part numbers and quantities required
3. Description of parts
4. Model number for which part is required
5. Way of shipment
6. Signature : any order form or Fax. must be signed, otherwise such part order will be considered as null and void.

USA

MARANTZ AMERICA, INC
1100 MAPLEWOOD DRIVE
ITASCA, IL. 60143
USA
PHONE : 630 - 741 - 0300
FAX : 630 - 741 - 0301

EUROPE / TRADING

MARANTZ EUROPE B.V.
P. O. BOX 8744, BUILDING SILVERPOINT
BEEMDSTRAAT 11, 5653 MA EINDHOVEN
THE NETHERLANDS
PHONE : +31 - 40 - 2507844
FAX : +31 - 40 - 2507860

CANADA

MARANTZ CANADA INC.
5-505 APPLE CREEK BLVD.
MARKHAM, ONTARIO L3R 5B1
CANADA
PHONE : 905 - 415 - 9292
FAX : 905 - 475 - 4159

AUSTRALIA

QualiFi Pty Ltd,
24 LIONEL ROAD,
MT. WAVERLEY VIC 3149
AUSTRALIA
PHONE : +61 - (0)3 - 9543 - 1522
FAX : +61 - (0)3 - 9543 - 3677

THAILAND

MRZ STANDARD CO., LTD
746 - 754 MAHACHAI ROAD.,
WANGBURAPAPIROM, PHRANAKORN,
BANGKOK, 10200 THAILAND
PHONE : +66 - 2 - 222 9181
FAX : +66 - 2 - 224 6795

SINGAPORE

WO KEE HONG DISTRIBUTION PTE LTD
No.1 JALAN KILANG TIMOR
#08-03 PACIFIC TECH CENTRE
SINGAPORE 159303
PHONE : +65 6376 0338
FAX : +65 6376 0166

NEW ZEALAND

WILDASH AUDIO SYSTEMS NZ
14 MALVERN ROAD MT ALBERT
AUCKLAND NEW ZEALAND
PHONE : +64 - 9 - 8451958
FAX : +64 - 9 - 8463554

TAIWAN

PAI- YUING CO., LTD.
6 TH FL NO, 148 SUNG KIANG ROAD,
TAIPEI, 10429, TAIWAN R.O.C.
PHONE : +886 - 2 - 25221304
FAX : +886 - 2 - 25630415

MALAYSIA

WO KEE HONG ELECTRONICS SDN. BHD.
2ND FLOOR BANGUNAN INFINITE CENTRE
LOT 1, JALAN 13/6, 46200 PETALING JAYA
SELANGOR DARUL EHSAN, MALAYSIA
PHONE : +60 - 3 - 7954 8088
FAX : +60 - 3 - 7954 7088

JAPAN

D&M Holdings Inc.
D&M BUILDING, 2-1 NISSHIN-CHO,
KAWASAKI-KU, KAWASAKI-SHI,
KANAGAWA, 210-8569 JAPAN

株式会社 ディーアンドエムホールディングス

本 社 〒210-8569
神奈川県川崎市川崎区日進町2-1 D&Mビル

KOREA

MARANTZ KOREA CO., LTD.
ROOM 604, ELECTRO OFFICE, 16-58,
HANGGANG-RO 3GA, YONGSAN-KU,
SEOUL, 140-013, KOREA
PHONE : +82 - 2 - 323 - 2155
FAX : +82 - 2 - 323 - 2154

CHINA

MARANTZ SHANGHAI TRADING LTD.
ROOM.506 SHANGHAI LIGHT INDUSTRY MANSION
1578 NANJING (WEST) ROAD SHANGHAI
CHINA
TEL : 021 - 6248 - 1064
FAX : 021 - 6248 - 3565

SHOCK, FIRE HAZARD SERVICE TEST :

CAUTION : After servicing this appliance and prior to returning to customer, measure the resistance between either primary AC cord connector pins (with unit NOT connected to AC mains and its Power switch ON), and the face or Front Panel of product and controls and chassis bottom.

Any resistance measurement less than 1 Megohms should cause unit to be repaired or corrected before AC power is applied, and verified before it is return to the user/customer.

Ref. UL Standard No. 1492.

In case of difficulties, do not hesitate to contact the Technical Department at above mentioned address.

1. TECHNICAL SPECIFICATIONS

FM TUNER SECTION

Frequency Range 87.5 - 108.0 MHz
 Usable Sensitivity IHF 1.8 μ V/16.4 dB
 Signal to Noise Ratio Mono/Stereo 75/70 dB
 Distortion Mono/Stereo 0.2/0.3 %
 Stereo Separation 1 kHz 45 dB
 Alternate Channel Selectivity \pm 300 kHz 60 dB
 Image Rejection 98 MHz 70 dB
 Tuner Output Level 1 kHz, \pm 75 kHz Dev 800 mV

AM TUNER SECTION

Frequency Range 531 - 1602 kHz [/N]
 520 - 1710 kHz [/U]
 Signal to Noise Ratio 50 dB
 Usable Sensitivity Loop 400 μ V
 Distortion 400Hz, 30 % Mod. 0.5 %
 Selectivity \pm 18 kHz 70 dB

AUDIO SECTION

Power Output (20 Hz - 20 kHz/THD=0.08%)
 Front L&R 8 ohms 95 W / Ch
 Center 8 ohms 95 W / Ch
 Surround L&R 8 ohms 95 W / Ch
 Surround Back L&R 8 ohms 95 W / Ch

 Front L&R 6 ohms 115 W / Ch
 Center 6 ohms 115 W / Ch
 Surround L&R 6 ohms 115 W / Ch
 Surround Back L&R 6 ohms 115 W / Ch

Input Sensitivity/Impedance 168 mV/ 47 kohms
 Signal to Noise Ratio
 (Analog Input / Pure Direct) 105 dB
 Frequency Response
 (Analog Input / Pure Direct) 8 Hz - 100 kHz (\pm 3 dB)
 (Digital Input / 96 kHz PCM) 8 Hz - 45 kHz (\pm 3 dB)

VIDEO SECTION

Television Format NTSC/PAL
 Input Level/Impedance 1 Vp-p/75 ohms
 Output Level/Impedance 1 Vp-p/75 ohms
 Video Frequency Response 5 Hz to 8 MHz (- 1 dB)
 Video Frequency (Component) 5 Hz to 80 MHz (- 1 dB)
 S/N 60 dB

PLC SECTION

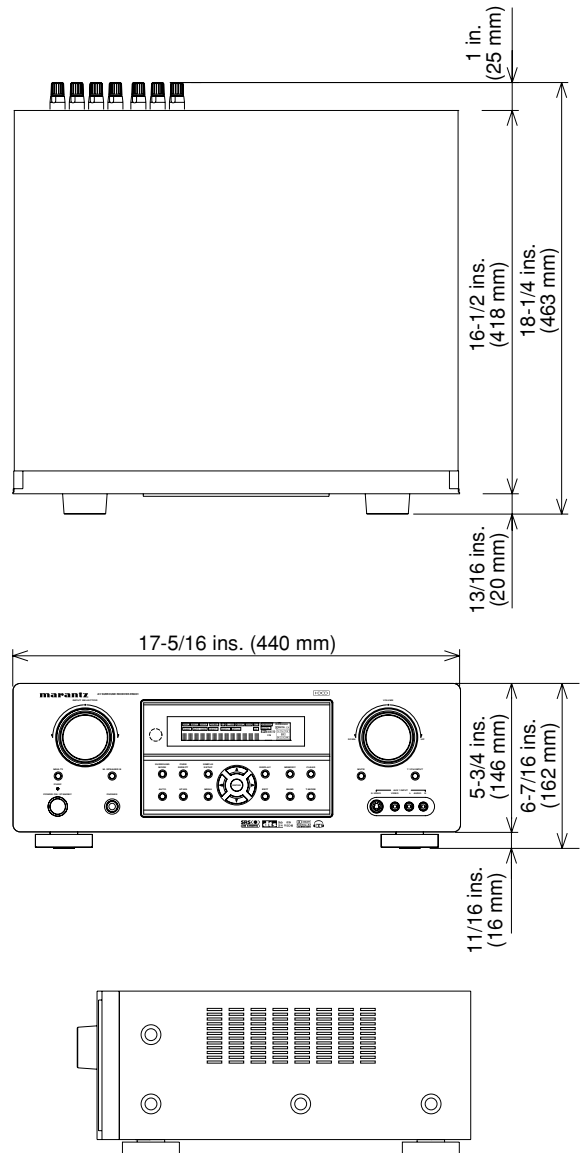
Modulation Method Multi carrier
 Frequency Band 2 MHz - 20 MHz

GENERAL

Power Requirement AC 230 V 50/60 Hz [/N]
 AC 120 V 60 Hz [/U]
 Power Consumption 600 W [/N]
 5A [/U]
 Weight 13.7 kg (30.2 lbs)

ACCESSORIES

Remote Control Unit RC5500SR 1
 AAA-size batteries 2
 FM Antenna 1
 AM Loop Antenna 1
 Front AUX Jack Cover 1
 AC Power Cable 1



The relation between the selected surround mode and the input signal

The surround mode is selected with the surround mode buttons on ZR6001 or the remote control unit. However, the sound you hear is subject to the relationship between the selected surround mode and input signal. That relationship is as follows;

Surround Mode	Input Signal	Decoding	Output Channel					Front information display	
			L/R	C	SL SR	SBL SBR	SubW	Signal format indicators	Channel status
AUTO	Dolby Surr. EX	Dolby Digital EX	○	○	○	○	○	□□ DIGITAL	L, C, R, SL, SR, S, LFE
	Dolby D (5.1ch)	Dolby Digital 5.1	○	○	○	-	○	□□ DIGITAL	L, C, R, SL, SR, LFE
	Dolby D(2ch)	Dolby Digital 2.0	○	-	-	-	-	□□ DIGITAL	L, R
	Dolby D (2ch Surr)	Pro Logic IIx movie	○	○	○	○	-	□□ DIGITAL , □□ SURROUND	L, R, S
	DTS-ES	DTS-ES	○	○	○	○	○	□□ DIGITAL , □□ SURROUND	L, C, R, SL, SR, S, LFE
	DTS 96/24	DTS 96/24	○	○	○	-	○	□□ DIGITAL , □□ SURROUND	L, C, R, SL, SR, LFE
	DTS (5.1ch)	DTS 5.1	○	○	○	-	○	□□ DIGITAL , □□ SURROUND	L, C, R, SL, SR, LFE
	PCM(Audio)	PCM (Stereo)	○	-	-	-	-	PCM	L, R
	PCM 96kHz	PCM (96kHz Stereo)	○	-	-	-	-	PCM	L, R
	Analog	Stereo	○	-	-	-	-	ANALOG	-
	PURE DIRECT	Dolby D Surr. EX	Dolby Digital EX	○	○	○	○	○	□□ DIGITAL
Dolby D (5.1ch)		Dolby Digital 5.1	○	○	○	-	○	□□ DIGITAL	L, C, R, SL, SR, LFE
Dolby D (2ch)		Dolby Digital 2.0	○	-	-	-	-	□□ DIGITAL	L, R
Dolby D (2ch Surr)		Pro Logic IIx movie	○	○	○	○	-	□□ DIGITAL , □□ SURROUND	L, R, S
DTS-ES		DTS-ES	○	○	○	○	○	□□ DIGITAL , □□ SURROUND	L, C, R, SL, SR, S, LFE
DTS 96/24		DTS 96/24	○	○	○	-	○	□□ DIGITAL , □□ SURROUND	L, C, R, SL, SR, LFE
DTS (5.1ch)		DTS 5.1	○	○	○	-	○	□□ DIGITAL , □□ SURROUND	L, C, R, SL, SR, LFE
PCM (Audio)		PCM (Stereo)	○	-	-	-	-	PCM	L, R
PCM 96kHz		PCM (96kHz Stereo)	○	-	-	-	-	PCM	L, R
HDCD		PCM (Stereo)	○	-	-	-	-	PCM HDCD	L, R
Analog		Stereo	○	-	-	-	-	ANALOG	-
EX/ES	Dolby D Surr. EX	Dolby Digital EX	○	○	○	○	○	□□ DIGITAL	L, C, R, SL, SR, S, LFE
	Dolby D (5.1ch)	Dolby Digital EX	○	○	○	○	○	□□ DIGITAL	L, C, R, SL, SR, LFE
	DTS-ES	DTS-ES	○	○	○	○	○	□□ DIGITAL , □□ SURROUND	L, C, R, SL, SR, S, LFE
	DTS(5.1ch)	DTS-ES	○	○	○	○	○	□□ DIGITAL , □□ SURROUND	L, C, R, SL, SR, LFE
DOLBY (PL IIx movie) (PL IIx music) (PL IIx game) (Pro Logic)	Dolby D Surr. EX	Dolby Digital 5.1	○	○	○	○	○	□□ DIGITAL	L, C, R, SL, SR, S, LFE
	Dolby D (5.1ch)	Dolby Digital 5.1	○	○	○	○	○	□□ DIGITAL	L, C, R, SL, SR, LFE
	Dolby D (2ch)	Pro Logic IIx	○	○	○	-	-	□□ DIGITAL	L, R
	Dolby D (2ch Surr)	Pro Logic IIx	○	○	○	○	-	□□ DIGITAL , □□ SURROUND	L, R, S
	PCM (Audio)	Pro Logic IIx	○	○	○	-	-	PCM	L, R
DTS (Neo:6 Cinema) (Neo:6 Music)	Analog	Pro Logic IIx	○	○	○	-	-	ANALOG	-
	DTS-ES	DTS 5.1	○	○	○	-	○	□□ DIGITAL	L, C, R, SL, SR, S, LFE
	DTS 96/24	DTS 96/24	○	○	○	-	○	□□ DIGITAL	L, C, R, SL, SR, LFE
	DTS (5.1ch)	DTS 5.1	○	○	○	-	○	□□ DIGITAL	L, C, R, SL, SR, LFE
	PCM (Audio)	Neo:6	○	○	○	-	-	PCM	L, R
	Analog	Neo:6	○	○	○	-	-	ANALOG	-
	Dolby D (2ch)	Neo:6	○	○	○	-	-	□□ DIGITAL	L, R
Dolby D (2ch Surr)	Neo:6	○	○	○	-	-	□□ DIGITAL , □□ SURROUND	L, R, S	
CS II Cinema CS II Music CS II Mono	PCM (Audio)	CS II	○	○	○	○	○	PCM	L, R
	Analog	CS II	○	○	○	○	○	ANALOG	-
	Dolby D (2ch)	CS II	○	○	○	○	○	□□ DIGITAL	L, R
STEREO	Dolby D (2ch Surr)	CS II	○	○	○	○	○	□□ DIGITAL , □□ SURROUND	L, R, S
	Dolby Surr. EX	Stereo	○	-	-	-	○	□□ DIGITAL	L, C, R, SL, SR, S, LFE
	Dolby D (5.1ch)	Stereo	○	-	-	-	○	□□ DIGITAL	L, C, R, SL, SR, LFE
	Dolby D (2ch)	Stereo	○	-	-	-	○	□□ DIGITAL	L, R
	Dolby D (2ch Surr)	Stereo	○	-	-	-	○	□□ DIGITAL , □□ SURROUND	L, R, S
	DTS-ES	Stereo	○	-	-	-	○	□□ DIGITAL , □□ SURROUND	L, C, R, SL, SR, S, LFE
	DTS 96/24	Stereo	○	-	-	-	○	□□ DIGITAL , □□ SURROUND	L, C, R, SL, SR, LFE
	DTS (5.1ch)	Stereo	○	-	-	-	○	□□ DIGITAL , □□ SURROUND	L, C, R, SL, SR, LFE
	PCM (Audio)	Stereo	○	-	-	-	-	PCM	L, R
	PCM 96kHz	Stereo	○	-	-	-	-	PCM	L, R
	HDCD	PCM (Stereo)	○	-	-	-	-	PCM HDCD	L, R
Virtual	Analog	Stereo	○	-	-	-	-	ANALOG	-
	Dolby Surr. EX	Virtual	○	-	-	-	-	□□ DIGITAL	L, C, R, SL, SR, S, LFE
	Dolby D (5.1ch)	Virtual	○	-	-	-	-	□□ DIGITAL	L, C, R, SL, SR, LFE
	Dolby D (2ch)	Virtual	○	-	-	-	-	□□ DIGITAL	L, R
	Dolby D (2ch Surr)	Virtual	○	-	-	-	-	□□ DIGITAL , □□ SURROUND	L, R, S
	DTS-ES	Virtual	○	-	-	-	-	□□ DIGITAL , □□ SURROUND	L, C, R, SL, SR, S, LFE
	DTS (5.1ch)	Virtual	○	-	-	-	-	□□ DIGITAL , □□ SURROUND	L, C, R, SL, SR, LFE
	PCM (Audio)	Virtual	○	-	-	-	-	PCM	L, R
Multi Ch. Stereo	Analog	Virtual	○	-	-	-	-	ANALOG	-
	Dolby Surr. EX	Dolby Digital EX	○	○	○	○	○	□□ DIGITAL	L, C, R, SL, SR, S, LFE
	Dolby D (5.1ch)	Dolby Digital 5.1	○	○	○	-	○	□□ DIGITAL	L, C, R, SL, SR, LFE
	Dolby D (2ch)	Multi Channel Stereo	○	○	○	-	-	□□ DIGITAL	L, R
	Dolby D (2ch Surr)	Multi Channel Stereo	○	○	○	-	-	□□ DIGITAL , □□ SURROUND	L, R, S
	DTS-ES	DTS-ES	○	○	○	○	○	□□ DIGITAL , □□ SURROUND	L, C, R, SL, SR, S, LFE
	DTS (5.1ch)	DTS 5.1	○	○	○	-	○	□□ DIGITAL , □□ SURROUND	L, C, R, SL, SR, LFE
	PCM (Audio)	Multi Channel Stereo	○	○	○	-	-	PCM	L, R
Analog	Multi Channel Stereo	○	○	○	-	-	ANALOG	-	

Notes:

- Dolby Digital (2 ch: Lt/Rt): signal with Dolby Surround flag Speakers are full set.
- No sound outputs from the surround speaker, center speaker and subwoofer if the DVD disc has no surround data.

Abbreviations

- L/R : Front speakers
- C : Center speaker
- SL/SR : Surround speakers
- SBL/SBR : Surround Back speakers
- SubW : Sub woofer speaker

2. TECHNICAL DESCRIPTION



DTS was introduced in 1994 to provide 5.1 channels of discrete digital audio into home theater systems. DTS brings you premium quality discrete multichannel digital sound to both movies and music. DTS is a multichannel sound system designed to create full range digital sound reproduction.

The no compromise DTS digital process sets the standard of quality for cinema sound by delivering an exact copy of the studio master recordings to neighborhood and home theaters.

Now, every moviegoer can hear the sound exactly as the moviemaker intended.

DTS can be enjoyed in the home for either movies or music on of DVD's, LD's, and CD's.

"DTS" and "DTS Digital Surround" are registered trademarks of Digital Theater Systems, Inc.



The advantages of discrete multichannel systems over matrix are well known.

But even in homes equipped for discrete multichannel, there remains a need for high-quality matrix decoding. This is because of the large library of matrix surround motion pictures available on disc and on VHS tape; and analog television broadcasts. The typical matrix decoder of today derives a center channel and a mono surround channel from two-channel matrix stereo material. It is better than a simple matrix in that it includes steering logic to improve separation, but because of its mono, band-limited surround it can be disappointing to users accustomed to discrete multichannel.

Neo:6 offers several important improvements as follow,

- Neo:6 provides up to six full-band channels of matrix decoding from stereo matrix material. Users with 6.1 and 5.1 systems will derive six and five separate channels, respectively, corresponding to the standard home-theater speaker layouts.
- Neo:6 technology allows various sound elements within a channel or channels to be steered separately, and in a way which follows naturally from the original presentation.
- Neo:6 offers a music mode to expand stereo nonmatrix recordings into the five- or six-channel layout, in a way which does not diminish the subtlety and integrity of the original stereo recording.



DTS-ES Extended Surround is a new multichannel digital signal format developed by Digital Theater Systems Inc. While offering high compatibility with the conventional DTS Digital Surround format, DTS-ES Extended Surround greatly improves the 360-degree surround impression and space expression thanks to further expanded surround signals. This format has been used professionally in movie theaters since 1999.

In addition to the 5.1 surround channels (FL, FR, C, SL, SR and LFE), DTS-ES Extended Surround also offers the SB (Surround Back) channel for surround playback with a total of 6.1 channels. DTS-ES Extended Surround includes two signal formats with different surround signal recording methods, as DTS-ES Discrete 6.1 and DTS-ES Matrix 6.1.

"DTS", "DTS-ES" and "Neo:6" are trademarks of Digital Theater Systems, Inc.



The stereo CD is a 16-bit medium with sampling at 44.1 kHz. Professional audio has been 20- or 24-bit for some time, and there is increasing interest in higher sampling rates both for recording and for delivery into the home. Greater bit depths provide extended dynamic range. Higher sampling rates allow wider frequency response and the use of anti-alias and reconstruction filters with more favorable aural characteristics.

DTS 96/24 allows for 5.1 channel sound tracks to be encoded at a rate of 96kHz/24bits on DVD-Video titles.

When DVD-video appeared, it became possible to deliver 24-bit, 96 kHz audio into the home, but only in two channels, and with serious limitations on picture. This capability has had little use.

DVD-audio allows 96/24 in six channels, but a new player is needed, and only analog outputs are provided, necessitating the use of the D/A converters and analog electronics provided in the player.

DTS 96/24 offers the following:

1. Sound quality transparent to the original 96/24 master.
2. Full backward compatibility with all existing decoders. (Existing decoders will output a 48 kHz signal)
3. No new player required: DTS 96/24 can be carried on DVD-video, or in the video zone of DVD-audio, accessible to all DVD players.
4. 96/24 5.1-channel sound with full-quality full-motion video, for music programs and motion picture soundtracks on DVD-video.

"DTS" and "DTS 96/24" are trademarks of Digital Theater Systems, Inc.



Dolby Digital identifies the use of Dolby Digital audio coding for such consumer formats as DVD and DTV. As with film sound, Dolby Digital can provide up to five full-range channels for left, center, and right screen channels, independent left and right surround channels, and a sixth (".1") channel for low-frequency effects.

Dolby Surround Pro Logic II is an improved matrix decoding technology that provides better spatiality and directionality on Dolby Surround program material; provides a convincing three-dimensional soundfield on conventional stereo music recordings; and is ideally suited to bring the surround experience to automotive sound. While conventional surround programming is fully compatible with Dolby Surround Pro Logic II decoders, soundtracks will be able to be encoded specifically to take full advantage of Pro Logic II playback, including separate left and right surround channels. (Such material is also compatible with conventional Pro Logic decoders.)

Dolby Digital EX creates six full-bandwidth output channels from 5.1-channel sources. This is done using a matrix decoder that derives three surround channels from the two in the original recording. For best results, Dolby Digital EX should be used with movies soundtracks recorded with Dolby Digital Surround EX.

About Dolby Pro Logic IIx

Dolby Pro Logic IIx technology delivers a natural and immersing 7.1-channel listening experience to the home theater environment. A product of Dolby's expertise in surround sound and matrix decoding technologies, Dolby Pro Logic IIx is a complete surround sound solution that maximizes the entertainment experience from stereo as well as 5.1-channel encoded sources.

Dolby Pro Logic IIx is fully compatible with Dolby Surround Pro Logic technology and can optimally decode the thousands of commercially available Dolby Surround encoded video cassettes and television programs with enhanced depth and spatiality. It can also process any high-quality stereo or Advanced Resolution 5.1-channel music content into a seamless 6.1- or 7.1-channel listening experience.



The Dolby Headphone technology provides a surround sound listening experience over headphones. When listening to multichannel content such as DVD movies over headphones, the listening experience is fundamentally different than listening to speakers. Since the headphone speaker drivers are covering the pinna of the ear, the listening experience differs greatly from traditional speaker playback. Dolby utilizes patented headphone perspective curves to solve this problem and provides a non-fatiguing, immersive, home theater listening experience. Dolby Headphone also delivers exceptional 3D audio from stereo material.

Manufactured under license from Dolby Laboratories. "Dolby", "Pro Logic", and the double-D symbol are trademarks of Dolby Laboratories.



Circle Surround II (CS-II) is a powerful and versatile multichannel technology. CS-II is designed to enable up to 6.1 multichannel surround sound playback from mono, stereo, CS encoded sources and other matrix encoded sources. In all cases the decoder extends it into 6 channels of surround audio and a LFE/subwoofer signal. The CS-II decoder creates a listening environment that places the listener "inside" music performances and dramatically improves both hi-fi audio conventional surround-encoded video material. CS-II provides composite stereo rear channels to greatly improve separation and image positioning – adding a heightened sense of realism to both audio and A/V productions.

CS-II is packed with other useful feature like dialog clarity (SRS Dialog) for movies and cinema-like bass enrichment (TruBass). CS-II can enable the dialog to become clearer and more discernable in movies and it enables the bass frequencies contained in the original programming to more closely achieve low frequencies – overcoming the low frequency limitations of the speakers by full octave.

Circle Surround II, Dialog Clarity, TruBass, SRS and (●)® symbol are trademarks of SRS Labs, Inc.

Circle Surround II, Dialog Clarity and TruBass technology are incorporated under license from SRS Labs, Inc.

FEATURES

By simply plugging the power cables of the ZR6001 and ZC4001 into ordinary home electrical outlets, the ZR6001 sends audio sources over your home electrical line for playback by the ZC4001.

PLC (POWER LINE COMMUNICATION)

The ZR6001* converts analog audio signals into noncompressed linear PCM digital signals, modulates them into high frequency signals, and sends them over power lines. The ZC4001 demodulates the sent signals and converts them back to analog signals.

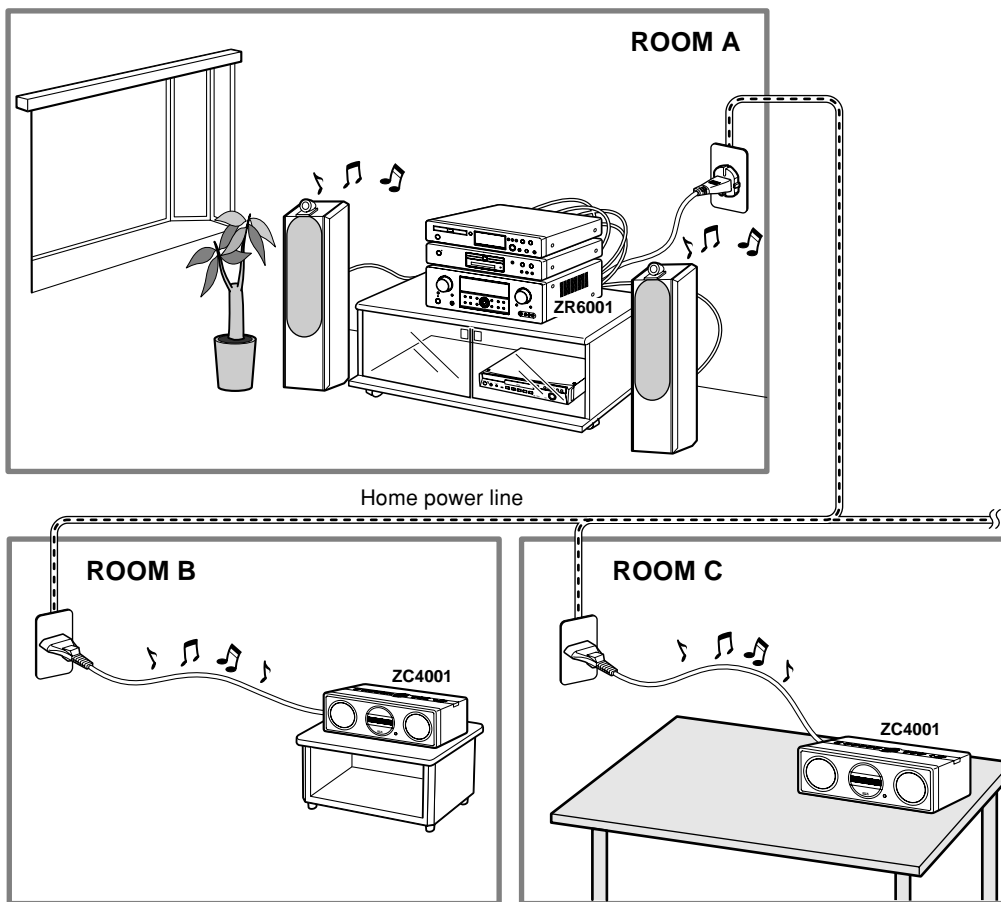
* : If the condition of the power line degenerates because of the effects of noise from other devices or for other reasons, the ZR6001 uses an audio format of different sampling rate and data bit length.

CONNECTIONS

CONNECTING FOR THE MULTI PLC LISTENING

Connect the AC power cable of the ZR6001 to a wall electrical outlet. Also connect the AC power cable of the ZC4001 to a wall electrical outlet.

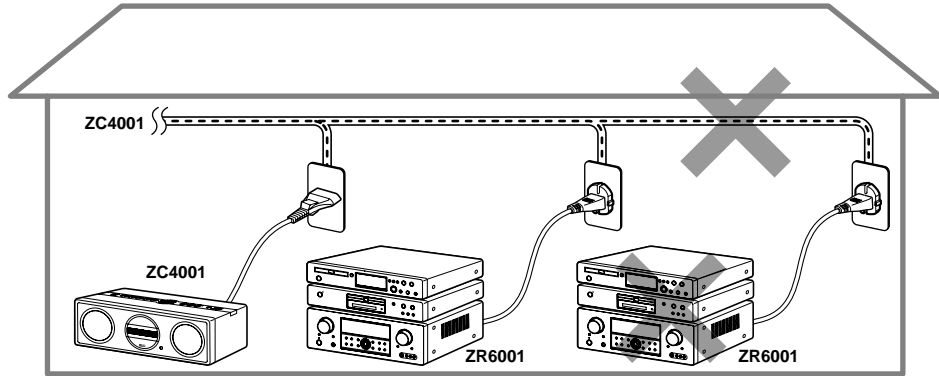
Up to four ZC4001 units may be connected to the same system at one time.



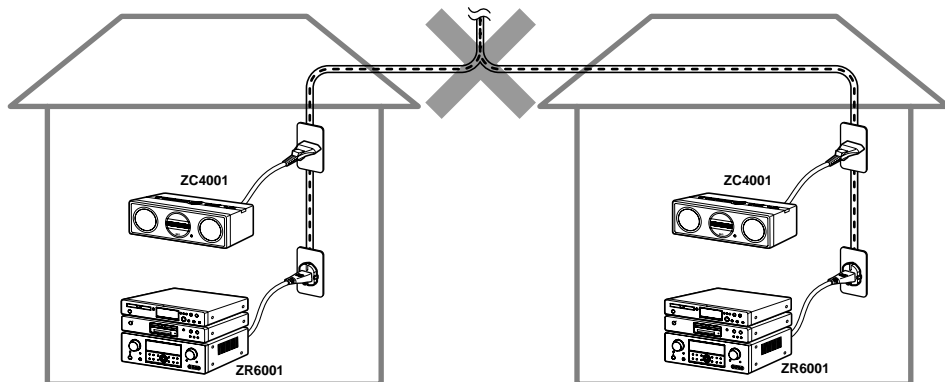
Notes:

- The ZR6001 sends audio data to the ZC4001 over power lines. Therefore, if the condition of the power line degenerates seriously because of the effects of noise from other devices or for other reasons, audio data may not be received or may skip.
- If the distance of the power line between the ZR6001 and ZC4001 is very long, audio data may not be received or may skip.
- At the time of purchase, all ZC4001 and ZR6001 are set to the same Group ID. If used with this same Group ID, you risk having your music listened into by others. Therefore, set the Group ID as explained herein.
- If the following trouble is experienced, block PLC signals from other sources using a commercially available power filter, etc.

When a ZC4001 and ZR6001 are connected over PLC, another ZR6001 cannot be added to the same power line and connected over PLC. In this case, PLC signals are not sent.



If a ZR6001 and ZC4001 are connected over PLC in a nearby apartment unit for example, and there is only a short distance between your apartment and your neighbor's, the PLC signals from your neighbor's apartment can travel over power lines to your place, mix with your system, and prevent audio output.



3. POWER AMPLIFIER ADJUSTMENT

Idling Current Alignment

- Each of the measurement points are provided with the two test points. Set a digital Voltage meter to DC voltage input, connect the meter to the test points at both contact points.
- After the setup above, turn on the main switch.
- Adjust variable resistors (VR41, VR42...VR71) according to the digital voltmeter readings. The target setting value is the following table for each channel.

Settings: Master Volume — Minimum
 Speaker out — No Load
 Top lid — OPEN

Channel	Alignment Point	Measurement Point
Front L	VR41	CN41
Center	VR61	CN61
Front R	VR51	CN51
Surround L	VR42	CN42
Surround R	VR52	CN52
Surround Back L	VR62	CN62
Surround Back R	VR71	CN71

Time Table of Idling Current Rise

After Turning ON	Ambient temperature	Ambient temperature
	10 to 19 degrees centigrade	20 to 30 degrees centigrade
	Measurement Voltage	Measurement Voltage
5 min.	1.2 mV ± 0.3 mV	2.0 mV ± 0.3 mV
10 min.	1.2 mV ± 0.3 mV	2.1 mV ± 0.3 mV
20 min.	1.4 mV ± 0.3 mV	2.5 mV ± 0.3 mV
30 min.	1.6 mV ± 0.3 mV	2.7 mV ± 0.3 mV
40 min.	1.7 mV ± 0.3 mV	2.9 mV ± 0.3 mV
50 min.	1.8 mV ± 0.3 mV	3.1 mV ± 0.3 mV
60 min.	1.9 mV ± 0.3 mV	3.2 mV ± 0.3 mV

4. SERVICE MODE

Microprocessor (IC28), DSP(IC20)Version and FLD Segment Check Mode.

- While the power is on, **MULTI, EXIT** and **7.1CH INPUT** buttons simultaneously more than 3 seconds. The FL display shows "SERVICE MODE" for 2 seconds then shows the model name.

S	E	R	V	I	C	E		M	O	D	E	
---	---	---	---	---	---	---	--	---	---	---	---	--

			Z	R	6	0	0	1				
--	--	--	---	---	---	---	---	---	--	--	--	--

- Press **MULTI** button, The software version of the MAIN microprocessor (IC28) is displayed in the format below.

V	0	6	0	3	0	6		I	U			
[ear]		[Month]		[Date]		[Dest.]						
						(Dest. : Destination)						

3. Press **MULTI** button again, The software Type Number is displayed.

S	O	F	T		T	Y	P	E			X	X
---	---	---	---	--	---	---	---	---	--	--	---	---

(XX is displayed in Hex)

4. Press **MULTI** button again, The Code Group Type Number is displayed.

C	O	D	E		T	Y	P	E	X	X	X	X
---	---	---	---	--	---	---	---	---	---	---	---	---

(XXXX is displayed in Hex)

5. Press **MULTI** button again, The left half, right half and center of the label area in the FLD light on and off each other.
6. Press **MULTI** button again, The segments of the character area in the FLD flick in checker pattern.
7. Press **MULTI** button again, All the FL segments turns off.
8. Press **MULTI** button again. Every time **MULTI** button is pressed, DSP code is indicated in turn from NO.1 to NO.10.

C	D	0	1		0	2	0	6	0	1	0	5
---	---	---	---	--	---	---	---	---	---	---	---	---

No.
Dev.
SIG
TYP
Ver.

No. : DISP CODE ID Dev. : Device ID SIG. : CODE SIG ID
 TYP. : CODE TYPE ID Ver. : Version

9. Press **MULTI** button, The software version of the SUB microprocessor (IC19) is displayed in the format below.

S	U	B		0	6	0	3	0	6	...	2	
---	---	---	--	---	---	---	---	---	---	-----	---	--

10. Press **MULTI** button, The Firmware version of the PLC Module is displayed in the format below.

P	L	C		V	0	.	4	0				
---	---	---	--	---	---	---	---	---	--	--	--	--

11. Press **MULTI** button again to quit this mode.

Note: Step4, 5 is to check if CPU software is capable of DSP code. "Software Type No" is to show what "DSP Code Group" CPU is capable of. And vice versa.

Step 8 is to manage the 16 codes for DSP.

- When the unit is once turned into Service Mode, the unit keeps this mode until the main power is turned off. (Turning into stand-by mode does not make it quit from Service Mode.) When the unit quits from Service Mode, Information in the memory is also cleared and the unit returns to the status when it is out from the factory.

Product Reset

To reset the back up memory of the unit into the default status, follow the procedure below.

1. Turn of the unit and press **7.1CH INPUT** and **MULTI** button simultaneously more than 3 seconds or more.
2. After "DEFAULT" is displayed on FLD, power is turned off once and turned of again, EEPROM is cleared to the default status, microprocessor is reset and the unit returns to the normal status. (Software Serial Number will not be cleared.)

Note: When the unit is shipped from the factory, the procedure above must be done to set the unit to initial status after the tests.

5. SYSTEM ERROR

When the microcomputer detects a trouble, the following information is displayed on the FLD.

- After the error contents indication, Surround Mode is initialized and returned Factory mode.
- The contents of the ERROR indication are the followings.

1. Trouble in DSP

If communication with DSP is troubled more than 2 seconds.

C	H	E	C	K		D	S	P				
---	---	---	---	---	--	---	---	---	--	--	--	--

2. Trouble in DSP Code

The trouble of DSP Code was found.

C	H	E	C	K		D	S	P		R	O	M
---	---	---	---	---	--	---	---	---	--	---	---	---

3. Trouble in ADC

When ADC input was chosen and CAL signal continued High about 2 seconds after the ADC Calibration start.

C	H	E	C	K		A	D	C				
---	---	---	---	---	--	---	---	---	--	--	--	--

4. Trouble in EEPROM

If data from EEPROM does not match.

C	H	E	C	K		E	2	P				
---	---	---	---	---	--	---	---	---	--	--	--	--

5. Trouble in EEPROM IF

If communication with EEPROM is troubled more than 2 seconds.

C	H	E	C	K		E	2	P		I	F	
---	---	---	---	---	--	---	---	---	--	---	---	--

6. Trouble in RS-232C

If communication of Panja with RS232C is troubled more than 2 seconds.

C	H	E	C	K		2	3	2	C			
---	---	---	---	---	--	---	---	---	---	--	--	--

7. Trouble in 5V Supply

If 5V supply to DATA DIR is troubled.

C	H	E	C	K		P	O	W	5			
---	---	---	---	---	--	---	---	---	---	--	--	--

8. Trouble in Protection

CPU turns off the speaker output.

P	R	O	T	E	C	T						
---	---	---	---	---	---	---	--	--	--	--	--	--

6. UPDATE FIRMWARE

[A] SOFTWARE (fdtv30300.exe) DOWNLOAD AND INSTALL PROCEDURE

DOWNLOADS OF THE SOFTWARE (Flash Development Toolkit: the rest is FDT)

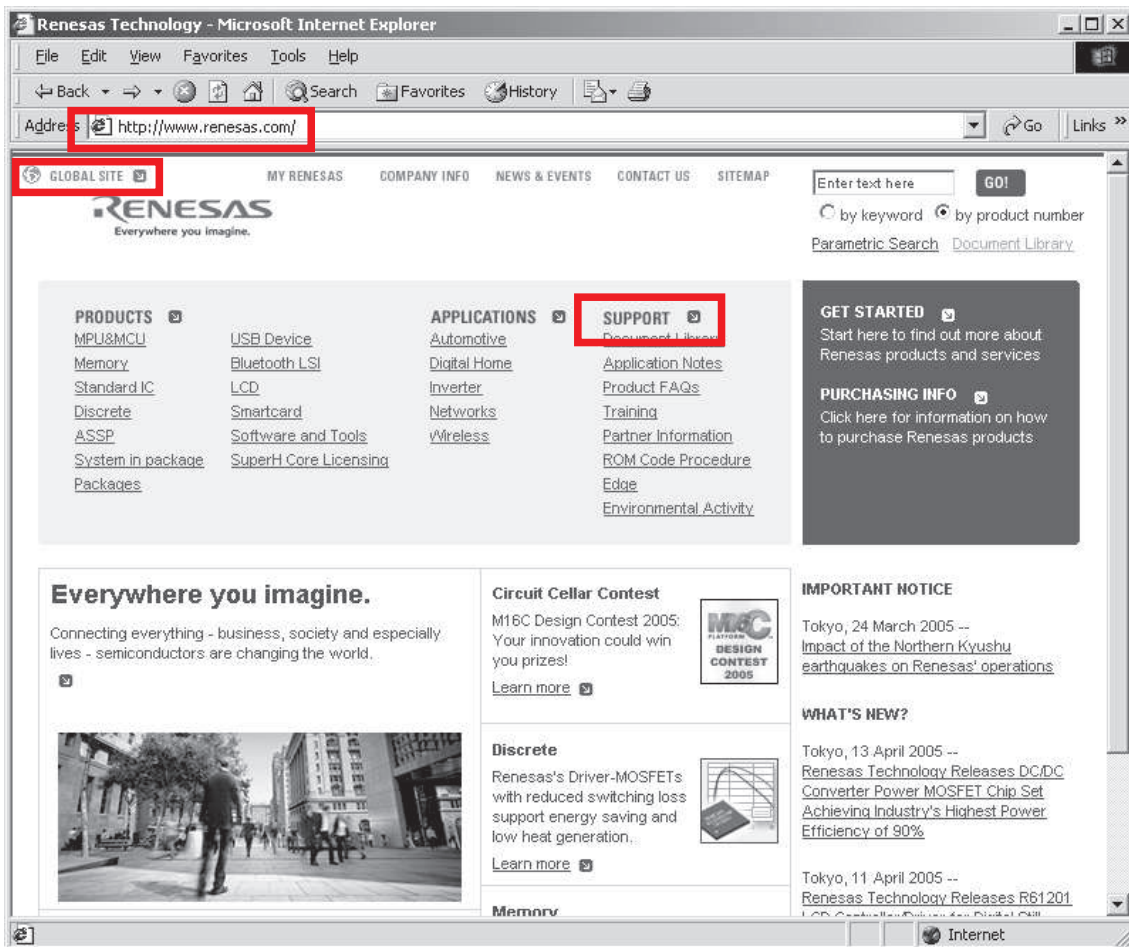
Download the software for update of the SUB CPU.

Launch the browser. Type <http://www.renesas.com/> into an address. And press Enter.

NOTE : This site is managed by RENESAS. The following explanation may differ from the actual composition.

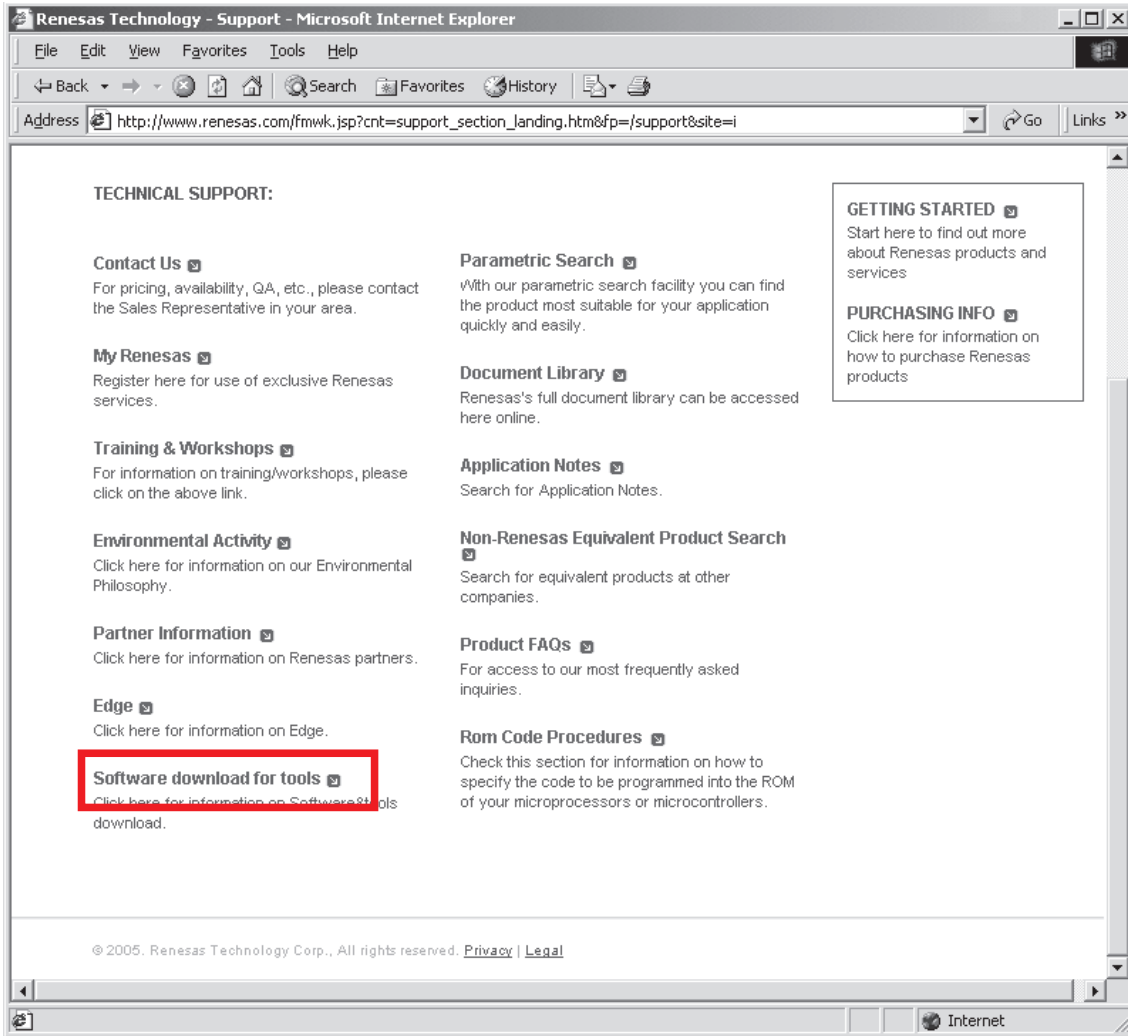
When different, please proceed along with the site composition of RENESAS. When FDT cannot be found, please search "Flash Development Toolkit", or type <http://download.renesas.com/eng/mpumcu/index.html> into an address.

Click the **SUPPORT** on the site of RENESAS(GLOBAL SITE).

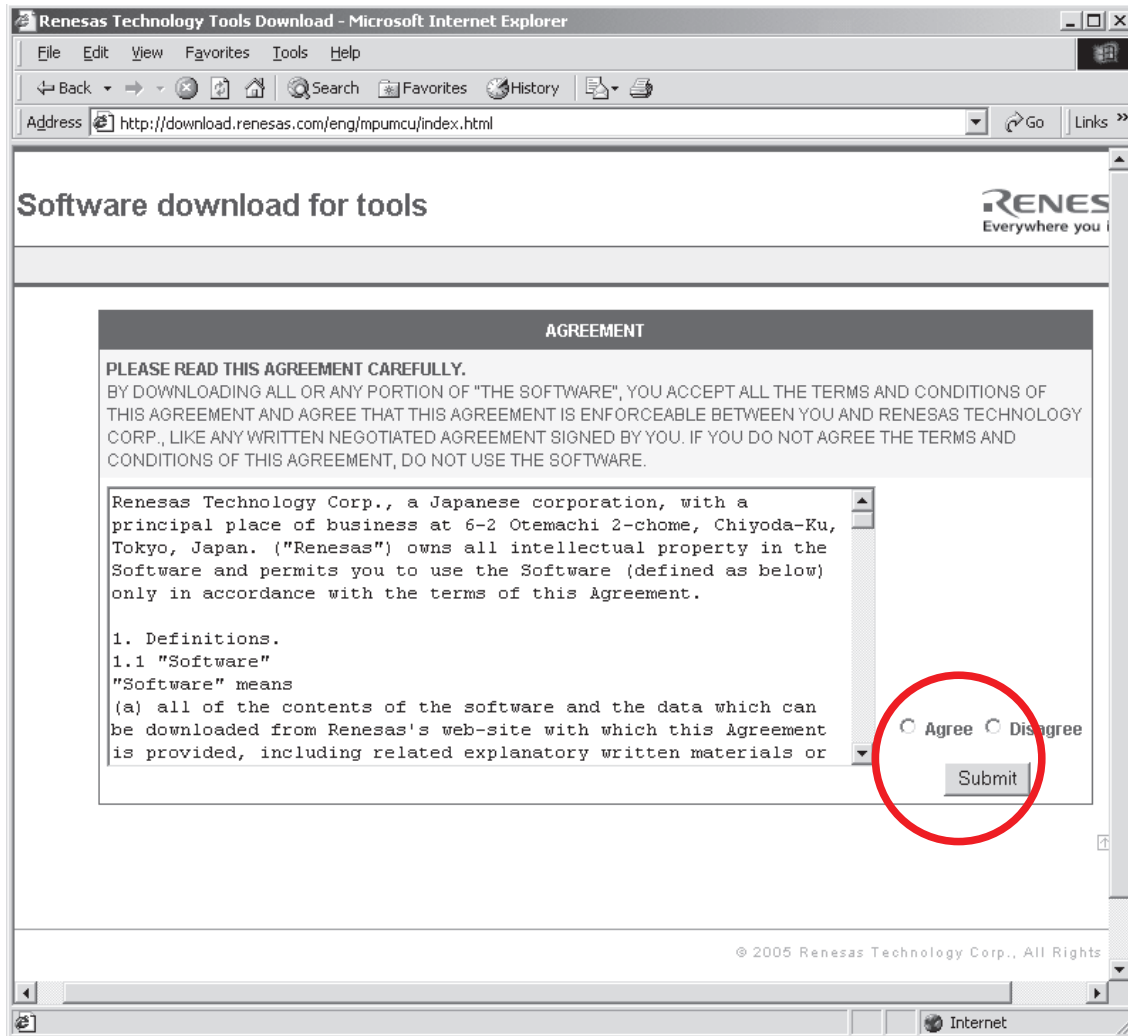


Click the **SUPPORT** on the site of Renesas.

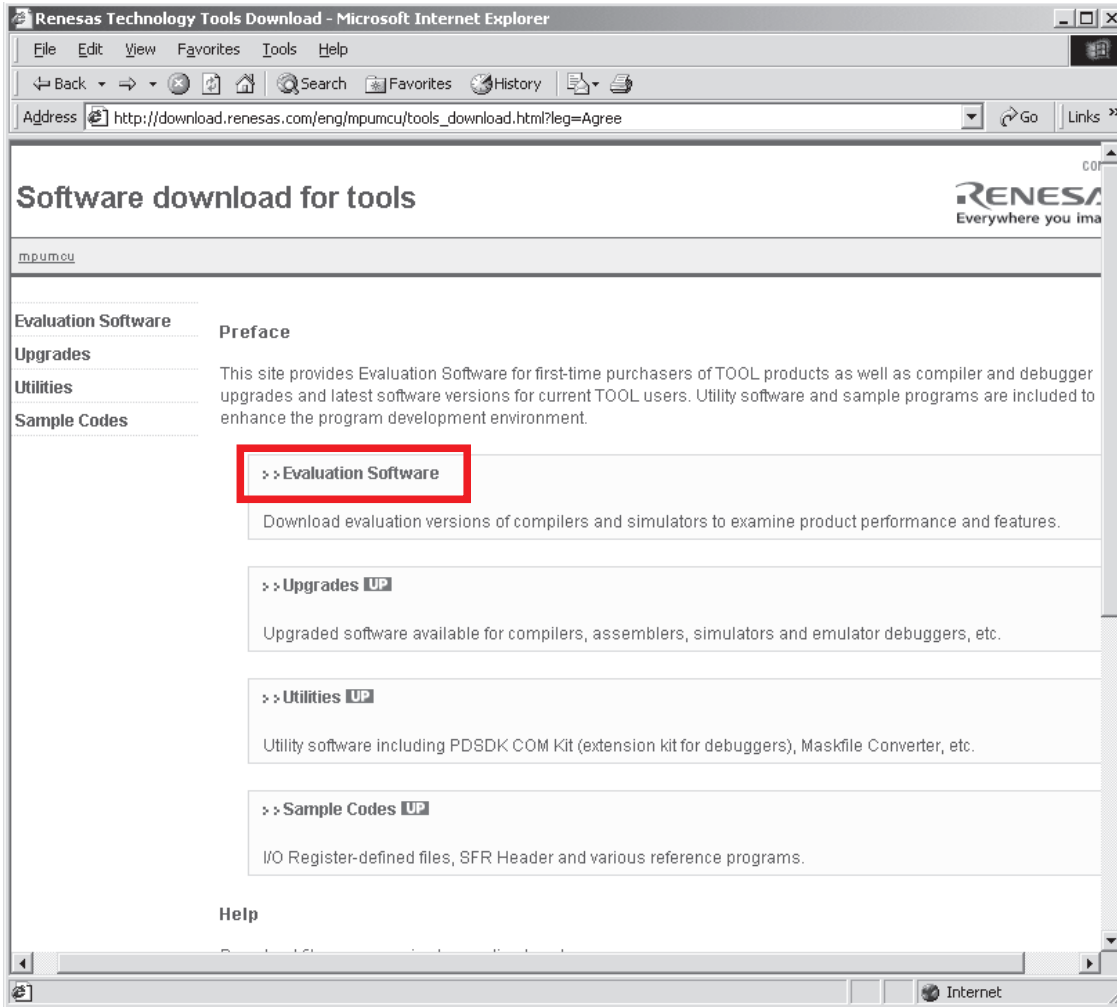
Click the **Software download for tools** on Support.



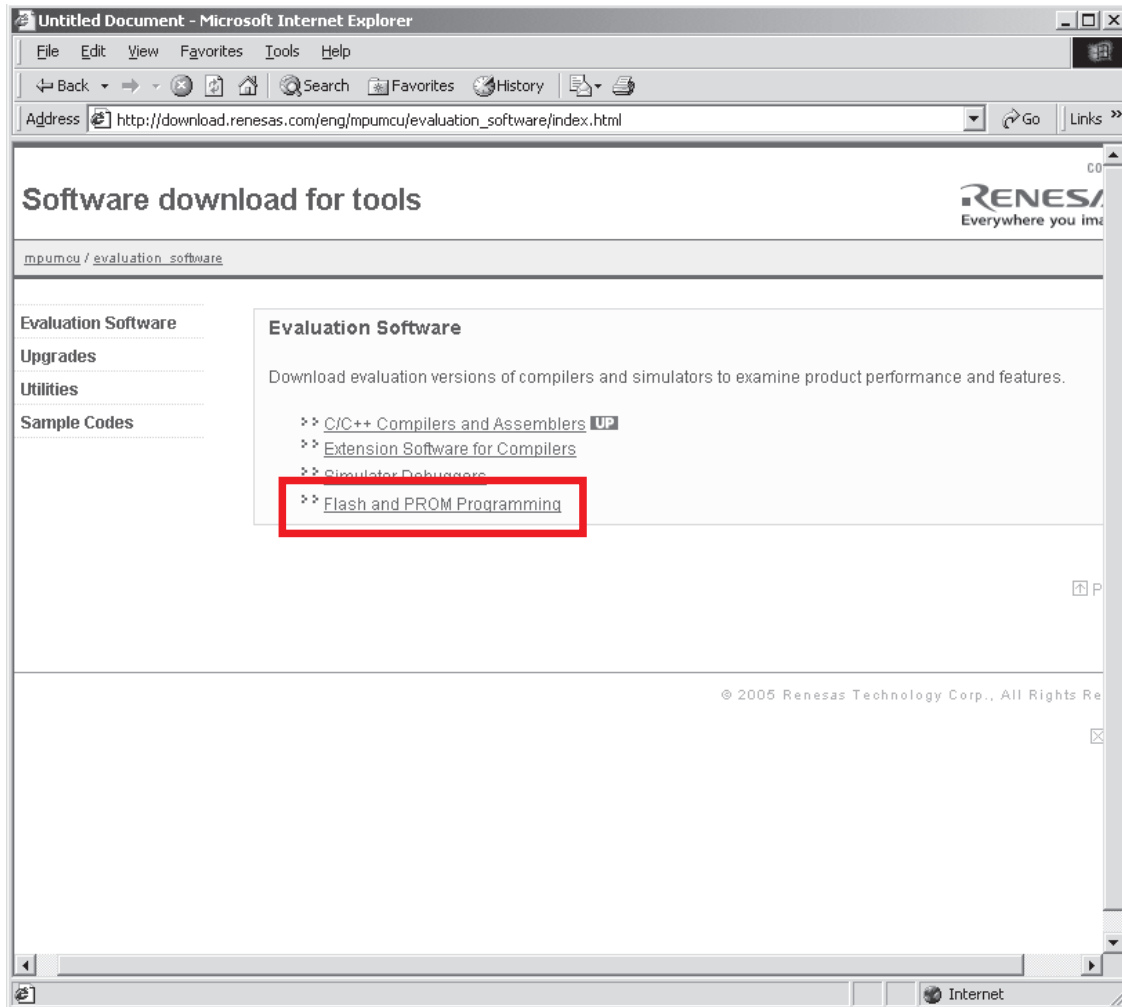
Check the **Agree** on AGREEMENT. And click **Submit**.



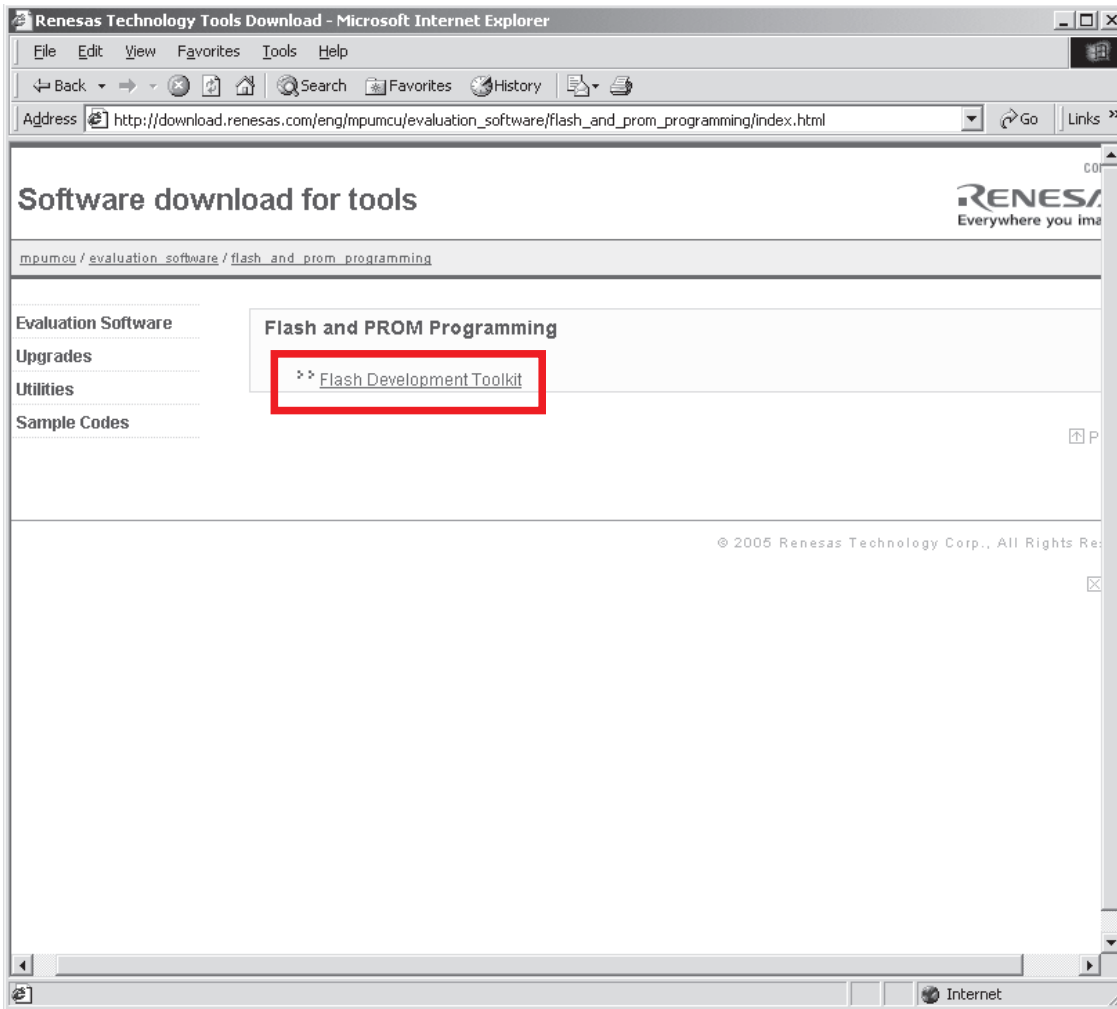
Click **Evaluation Software**.



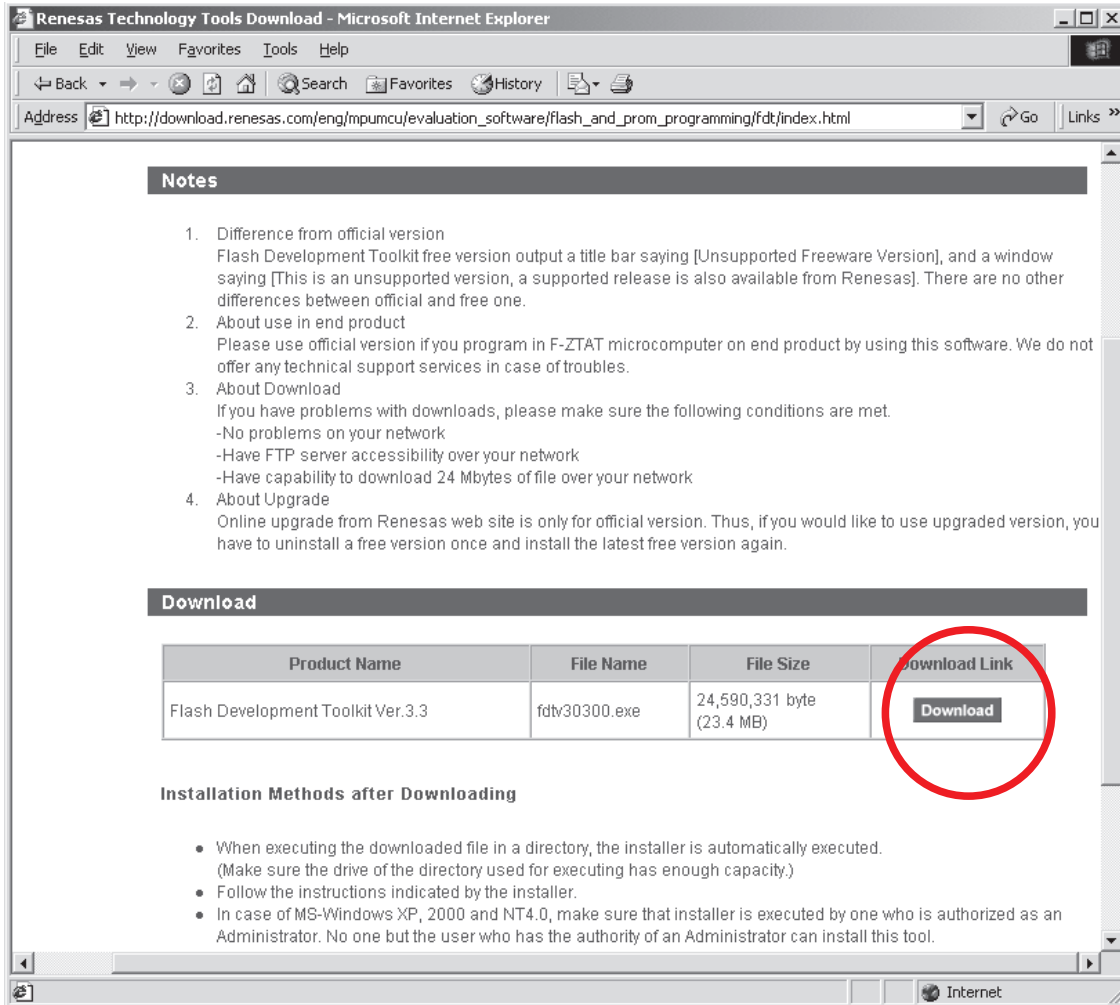
Click **Flash and PROM Programming**.



Click **Flash Development Toolkit**.

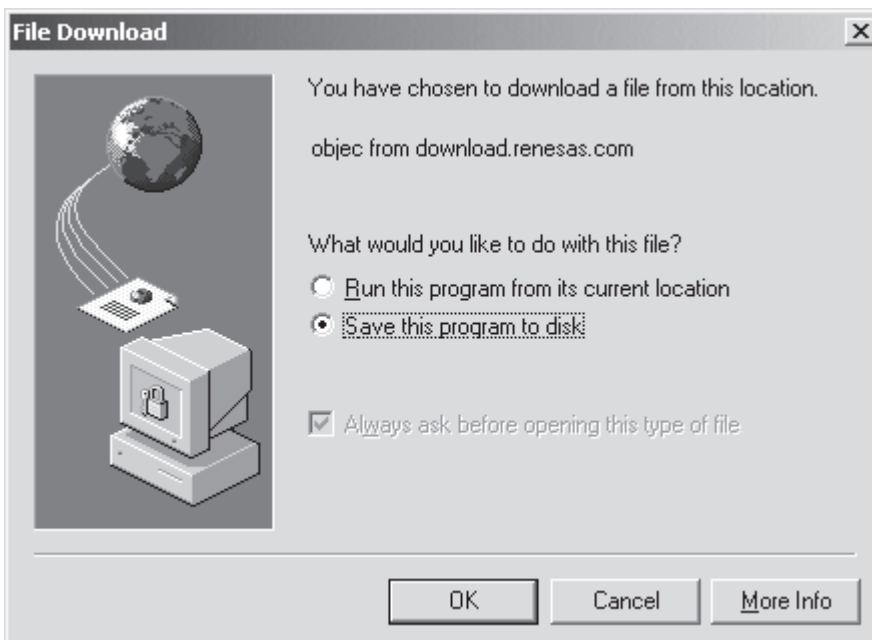


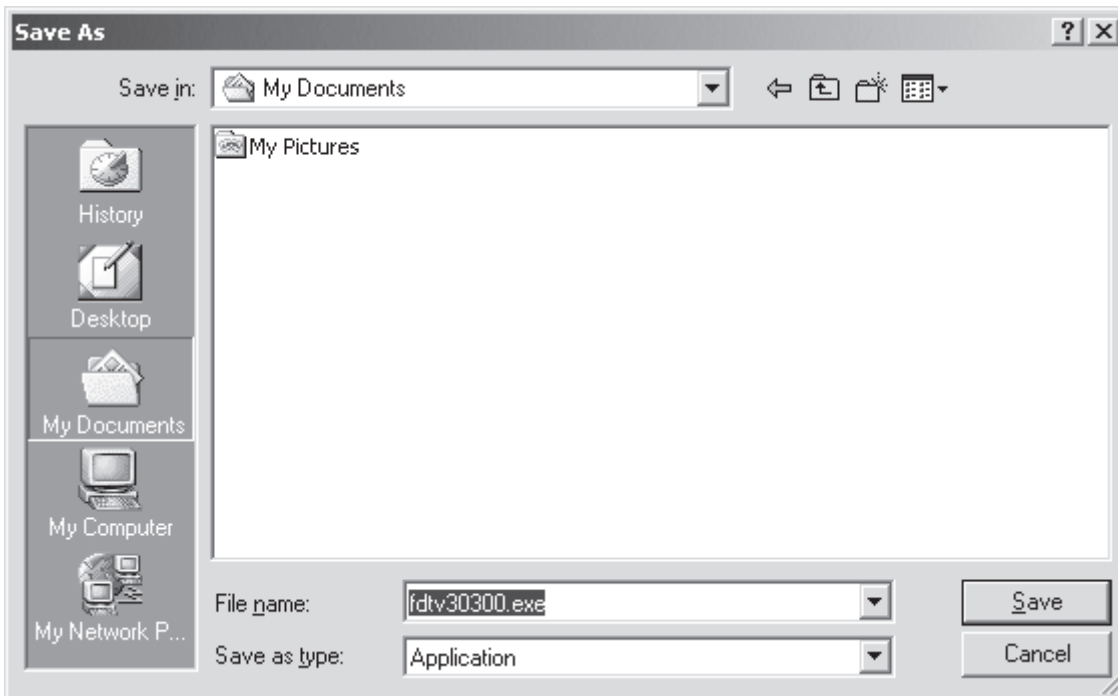
Click **Download**.



Save the **fdtv30300.exe** on your PC's hard disc.

NOTE : A file name is changed by improvement.

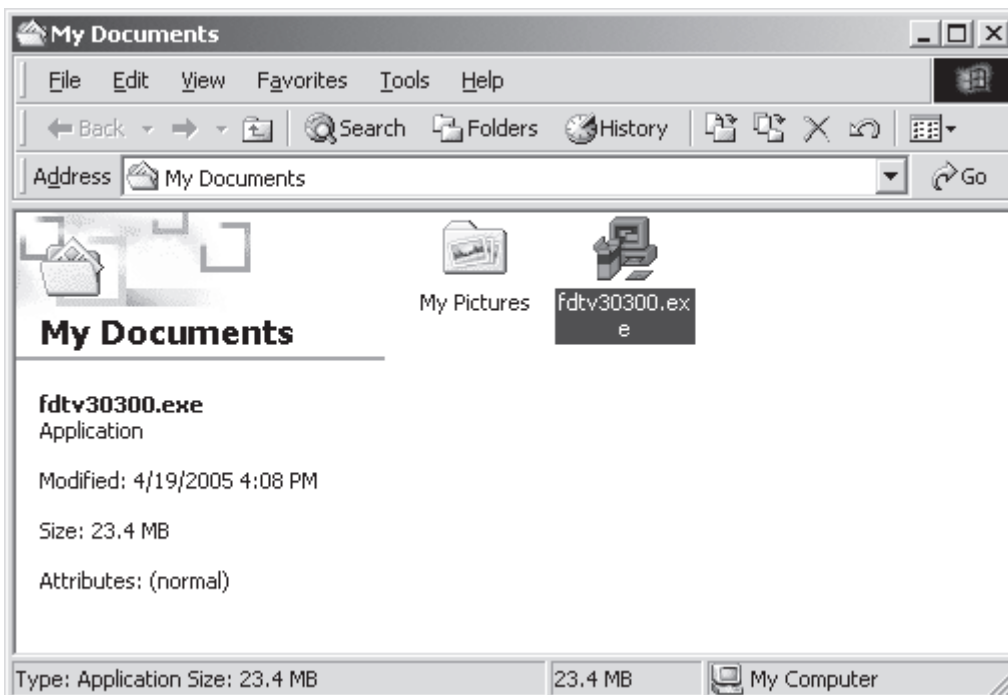




INSTALLS OF THE SOFTWARE (Flash Development Toolkit Ver.3.3)

Open the folder with the downloaded file.

And double click the **fdtv30300.exe**.



Click **Next >**.



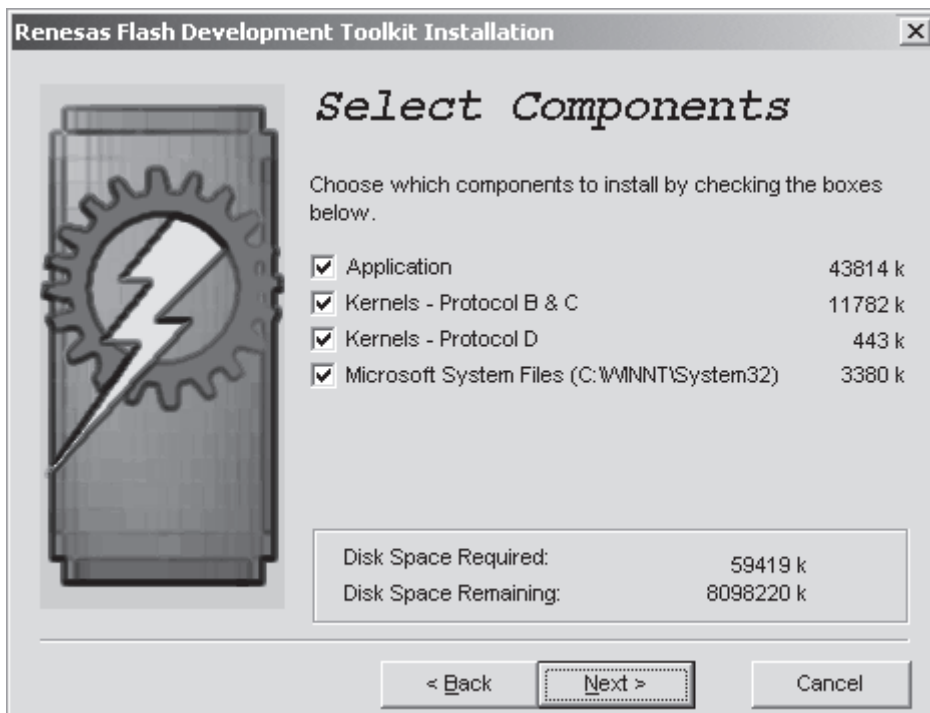
Choose the language. And click **Next >**.



Click **Yes**.



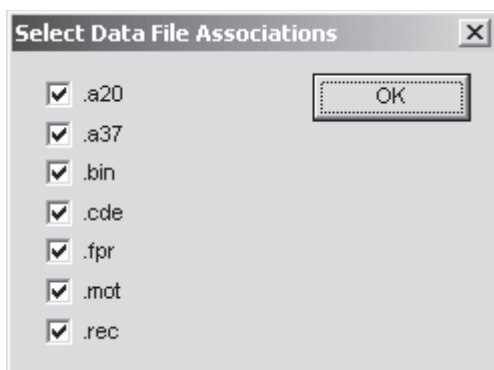
Click **Next >**.



Click **Customise**.



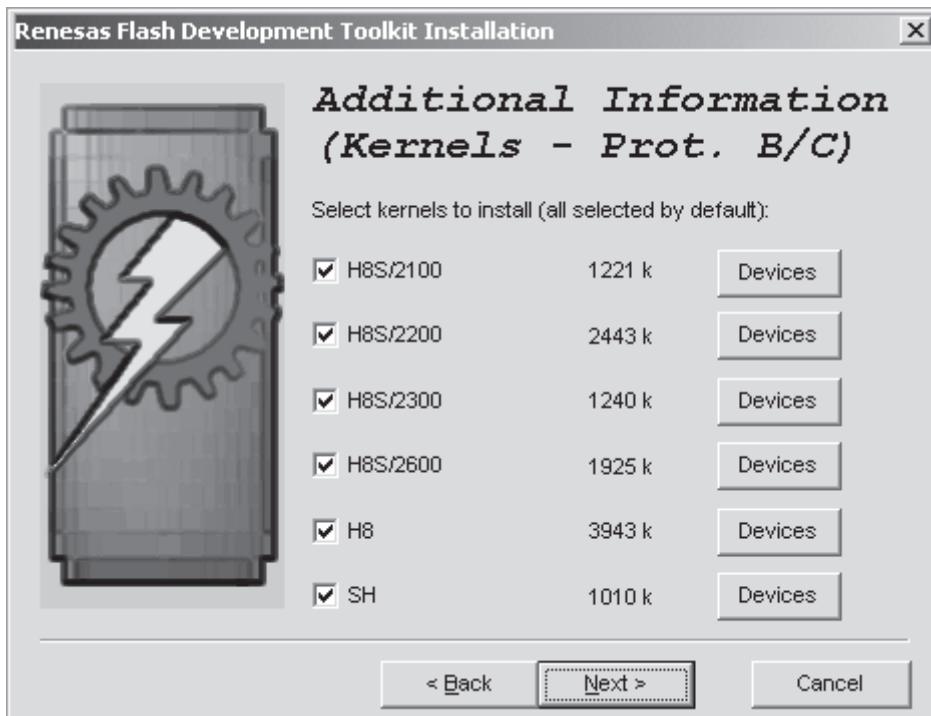
Check to the all check box. And click **OK**.



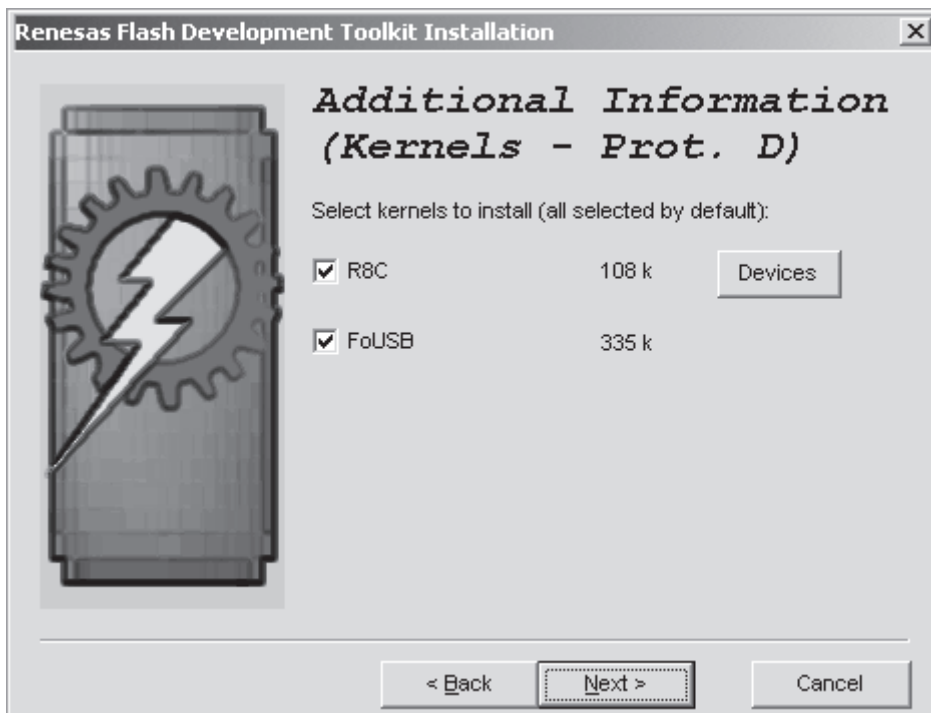
Click **Next >**.



Check to the all check box. And click **Next >**.



Click **Next >**.



Click **Next >**.



Click **Next >**.



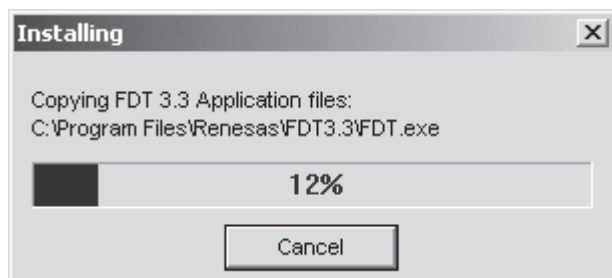
Click **Next >**.



Click **Install**.



The status bar appears.



Click **Finish**.



[B] WRITING AND UPDATE SOFTWARE

Software for MAIN CPU, SUB CPU, DSP and PLC firmware can be updated.

Have update application software. ("H8Download.exe", "fdtv30300.exe (FDT3.3) or latest version", "PlcFirmUpdate.exe" and "UpgradeDSP.exe")

There are four mode of download, regarding to the target of software as bellow.

- **Mode 1: Update DSP's software to 4M Flash-ROM.**

This mode is to update the software for DSP.

The target devise is 4M Flash-ROM (IC20) on CUP11859Z (DSP PWB).

The unit needs to be set update condition, by three front keys.

The updating of software takes about 2 minutes.

- **Mode 2: Update MAIN CPU's software to internal Flash-ROM.**

This mode is to update the software for MAIN CPU.

The target devise is internal flash ROM of CPU (IC28) on CUP11859Z (DSP PWB).

The unit needs to be set to writing condition, by pushing internal switch from rear panel.

The updating of software takes about 2 minutes and 30 seconds.

- **Mode 3: Update SUB CPU's software to internal Flash-ROM.**

This mode is to update the software for SUB CPU.

The target devise is internal flash ROM of CPU (IC19) on CUP11861Z (PLC PWB).

The unit needs connection to download JIG.

The unit needs to be set update condition, by three front keys.

The updating of software takes about 15 seconds.

- **Mode 4: Update PLC's firmware to PLC MODULE.**

This mode is to update the firmware for PLC.

The target devise is PLC MODULE (MLD011TM-C2 00MZK11CW0010).

The unit needs connection to download JIG.

The unit needs to be set update condition, by three front keys.

The updating of software takes about 1 minute.

NECESSARY EQUIPMENT

The following items are required for updating.

Windows PC (OS: Windows2000 or WindowsXP) with Serial port.

RS-232C Dsub-9 pin cable (female to female/straight type)

Update software to MAIN CPU. (H8Download.exe, etc... in H8Upgrade folder)

Update software to SUB CPU. (update data in SUB CPU folder)

Update software to DSP. (UpgradeDSP.exe, etc... in DSP folder)

Update firmware to PLC. (PlcFirmUpdate.exe, etc... in PLC firmware folder)

Flash Development Toolkit 3.3 or latest version (fdtv30300.exe or latest version)

PLC download JIG (90M-ZR6001JIG)

Use RS232C Dsub-9 pin cable (female to female/straight type) to connect PC and the RS-232C port in rear panel of the unit, when updating MAIN CPU and DSP.

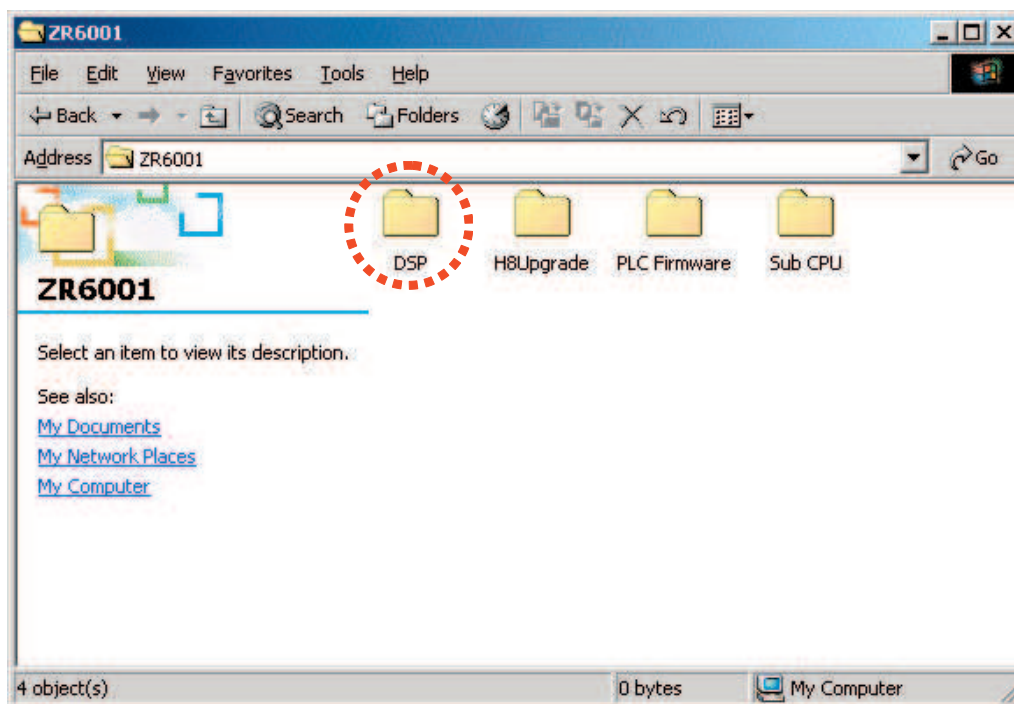
Use RS232C Dsub-9 pin cable (female to female/straight type) to connect PC and the download JIG, when updating SUB CPU and PLC firmware.

Serial port on PC needs to be set by dialog box for each program. Serial port can be set from COM1 to COM5.

Mode 1: Update DSP's software to 4M Flash-ROM

Download Firmware for DSP (Mode 1)

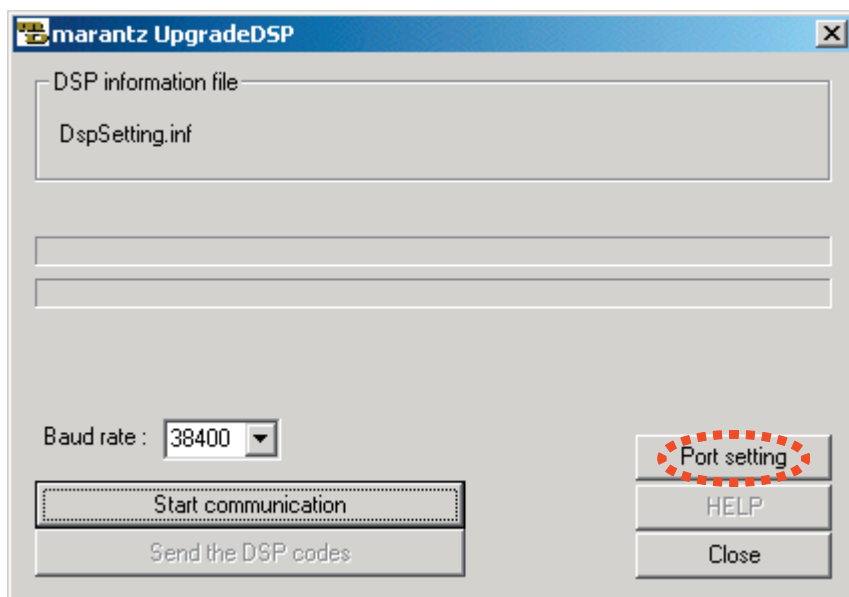
1. Put the "DSP" folder into anywhere on your PC's hard disc.



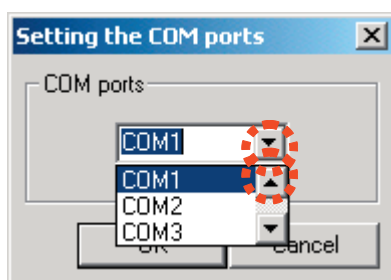
2. Connect RS-232C on the rear panel of the unit and Serial Port of windows PC with RS-232C cable.
3. Turn on the unit, and wait for about 10 seconds.
4. Press **ENTER**, **MUTE** and **T-MODE** buttons simultaneously more than 5 seconds to turn the unit into Loading Mode.
5. "LOADING MODE" is shown on FLD.
6. Double click the UpgradeDSP.exe. And Launch the marantz UpgradeDSP.



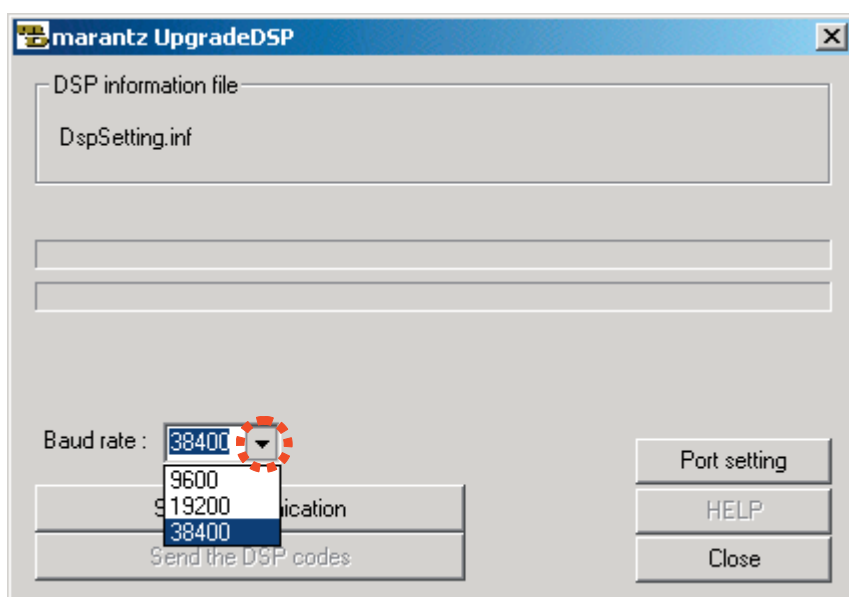
7. Click **Port setting**.



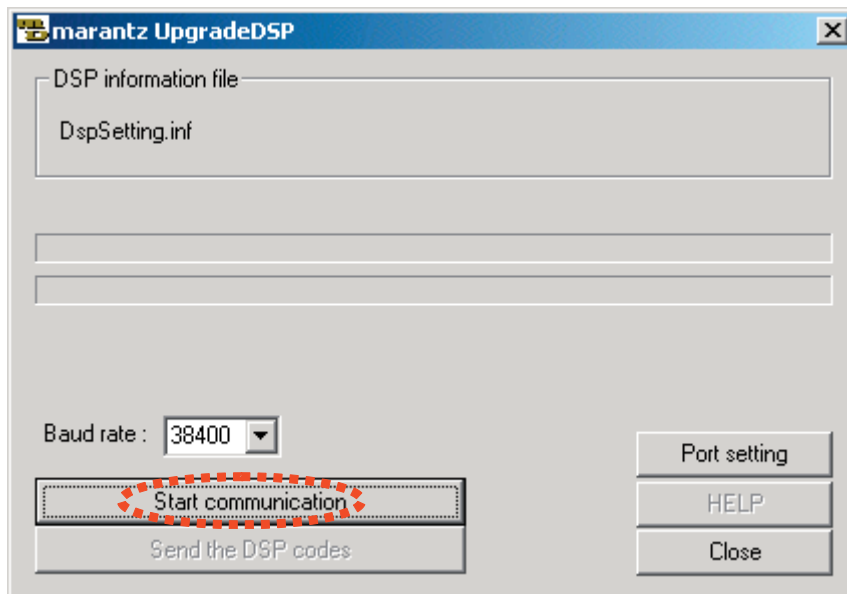
8. Choose the **COM Port No.**



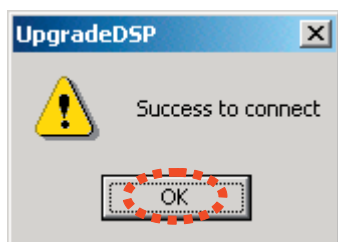
9. Choose **38400** in the Baud rate.



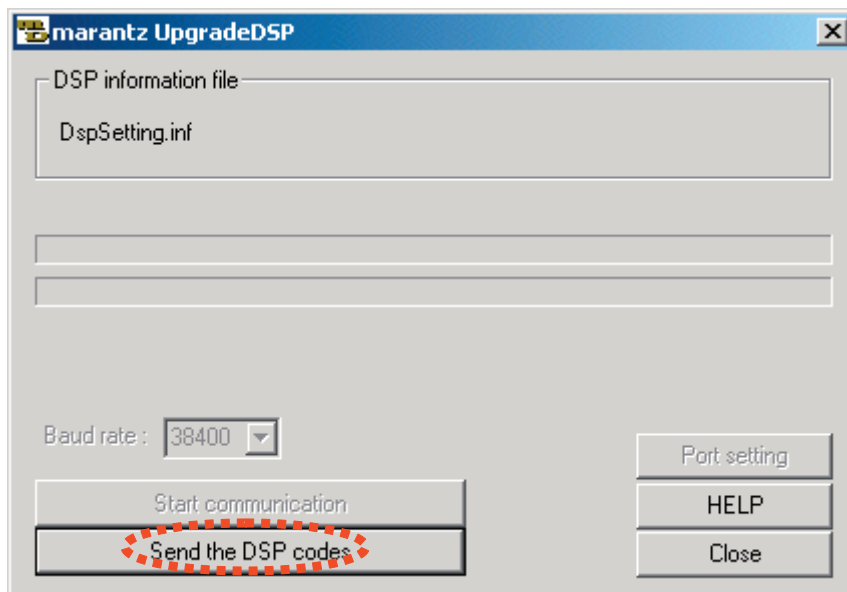
10. Click **Start communication**.



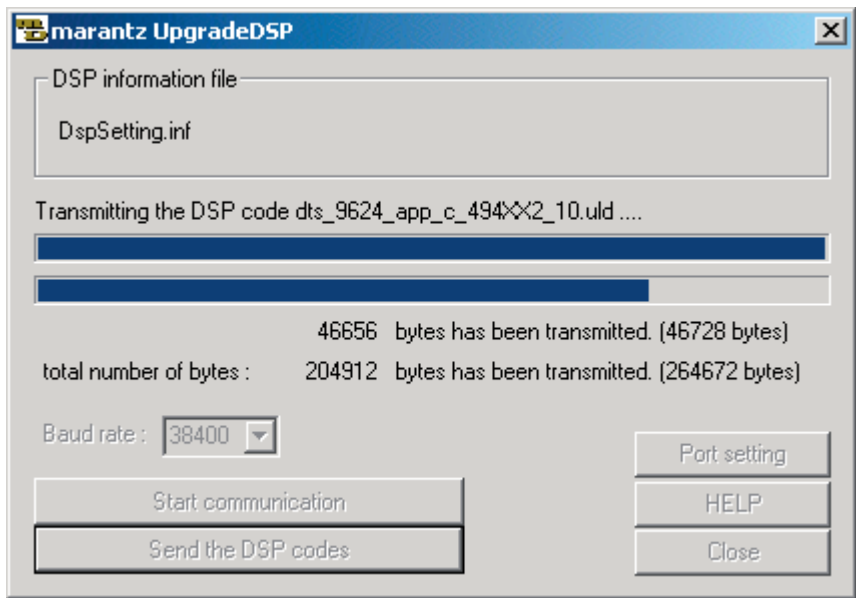
11. If the connection is made successfully, a dialog box saying "Success to connect" appears and "CONNECTED" is displayed on FLD.
Click **OK**.



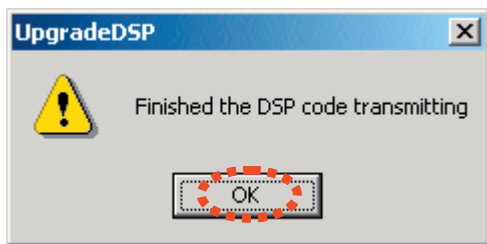
12. Click **Send the DSP codes**.



13. Progress status of updating will be shown on PC and LOADING is displayed on FLD.



14. If updating is completed successfully, "COMPLETED" is displayed on FLD. And a dialog box saying "Finished the DSP code transmitting" appears. Click **OK** and then Application is closed automatically.

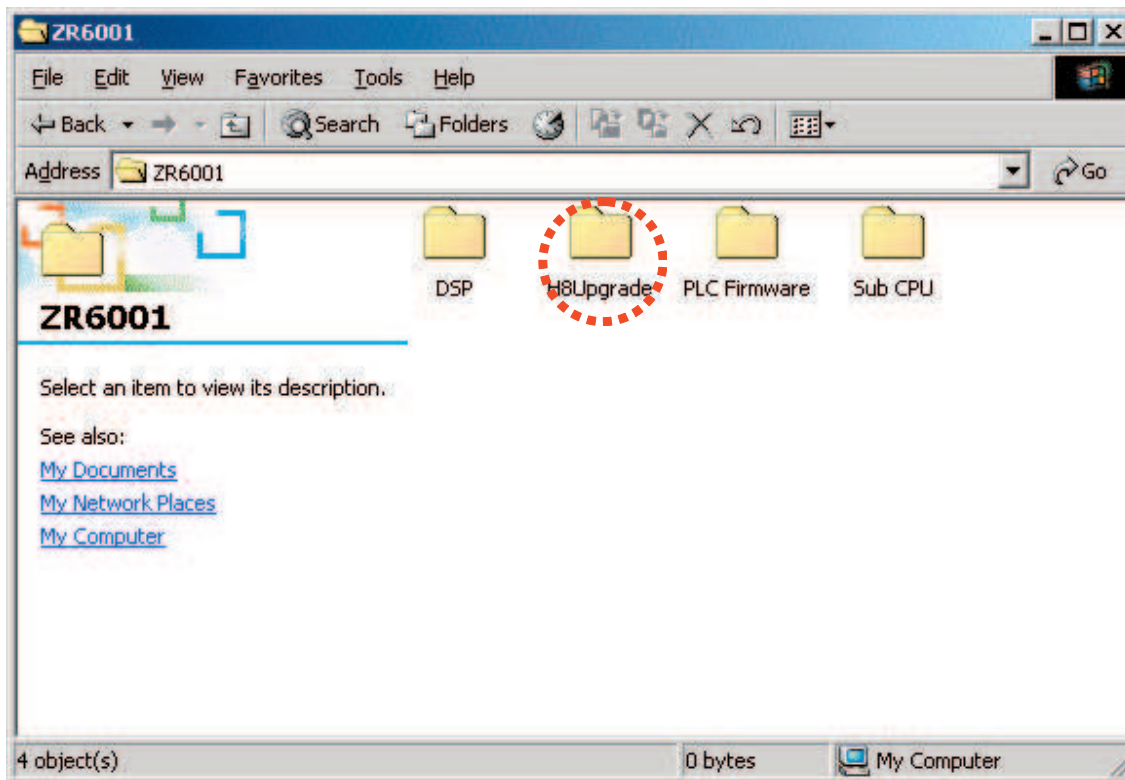


15. Turn off the unit. And disconnect mains cord from the unit.

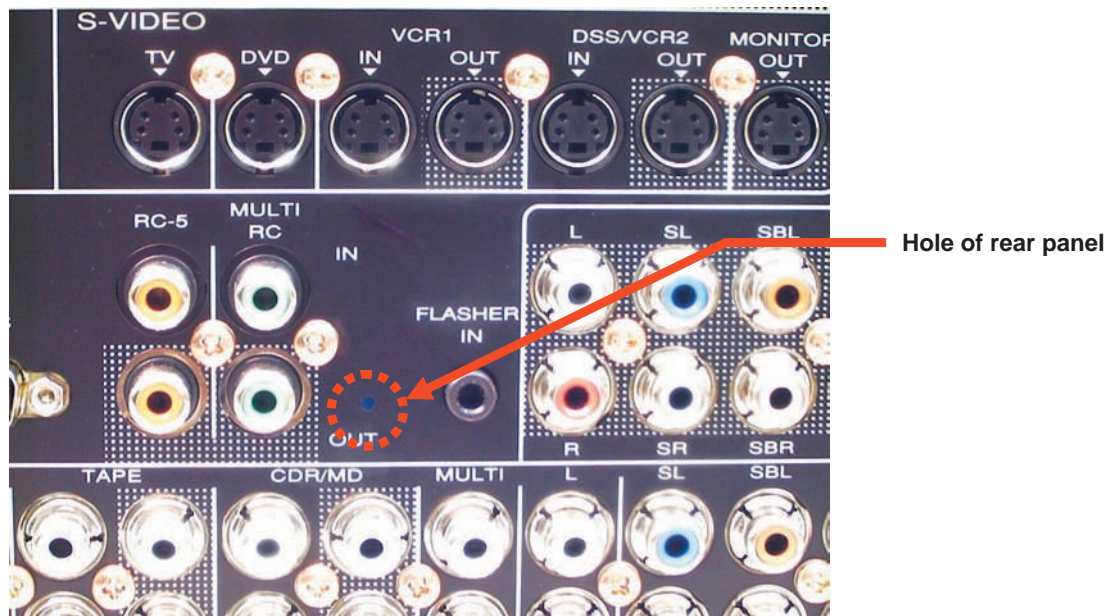
Mode 2: Update MAIN CPU's software to internal Flash-ROM

Download software for MAIN CPU (Mode 2)

1. Put the "H8Upgrade" folder into anywhere on your PC's hard disc.

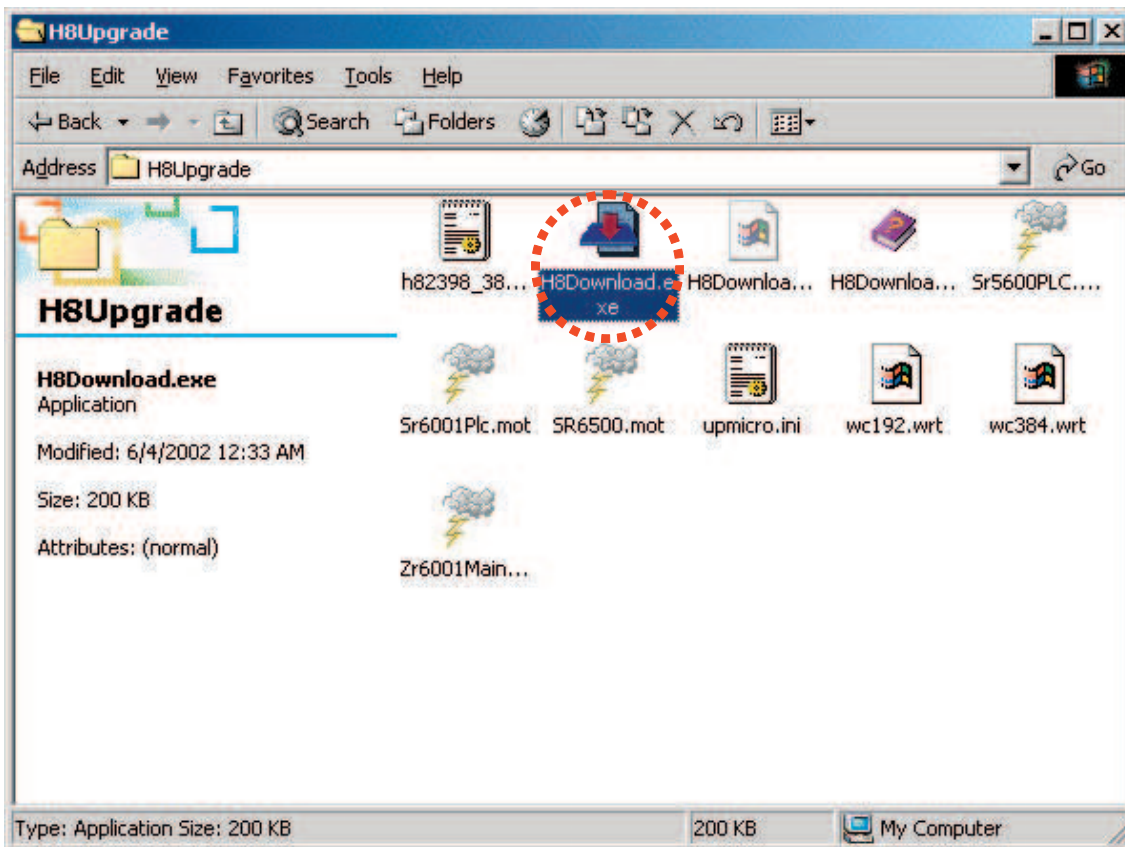


2. Connect RS-232C on the rear panel of the unit and Serial Port of windows PC with RS-232C cable.
3. Insert a thin rot to the hole and push the switch (SW10) inside to turn on the switch.

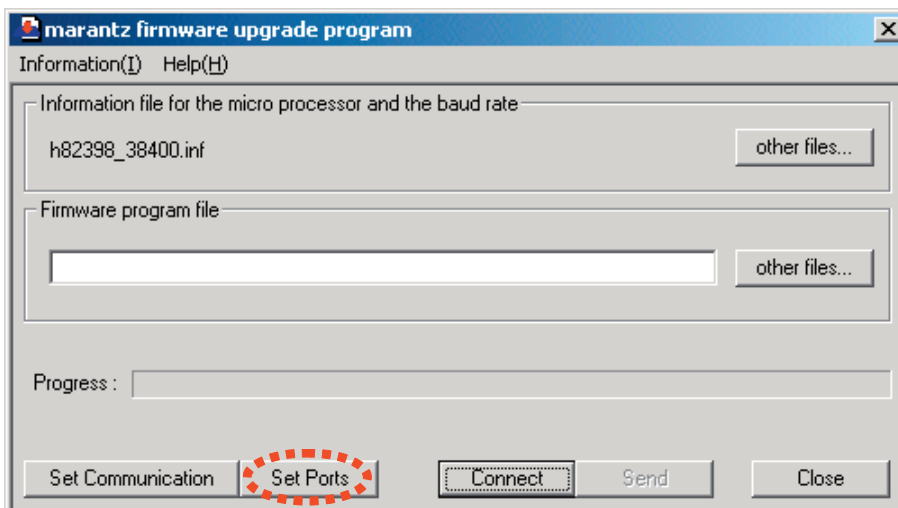


4. Turn on the unit.
Note : When the unit is into boot mode, stand-by LED is not lights up.

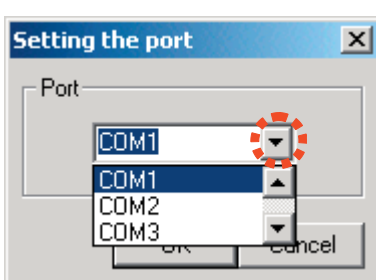
5. Double click the H8Download.exe. And launch the marantz firmware upgrade program.



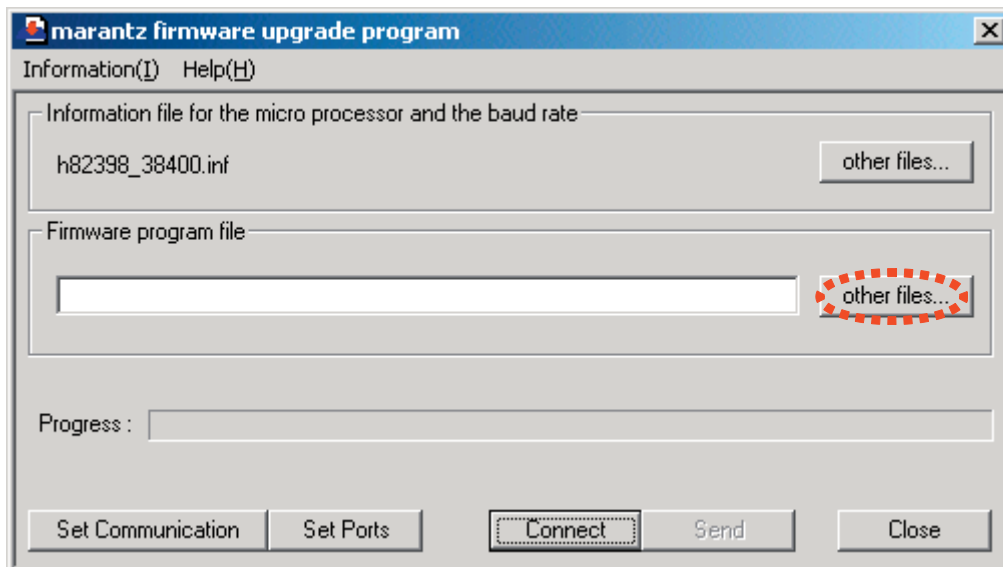
7. Click **Set ports**.



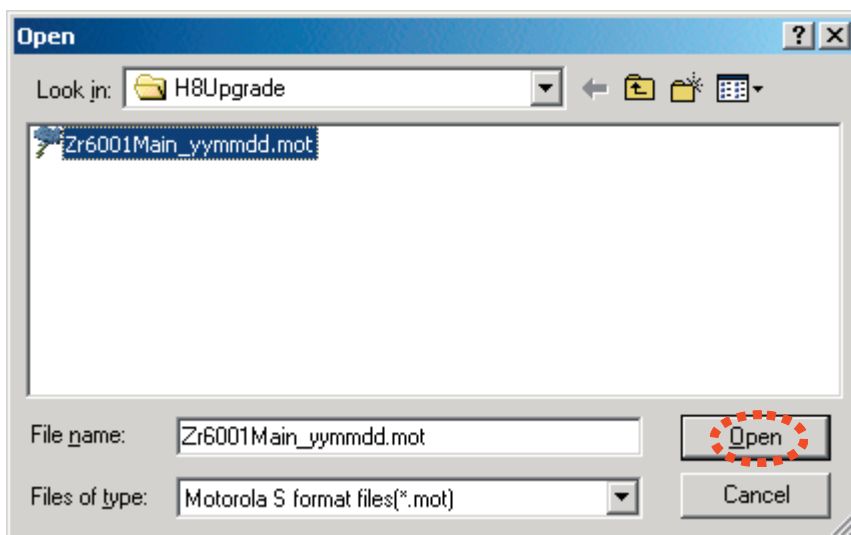
8. Choose the **COM Port No.**



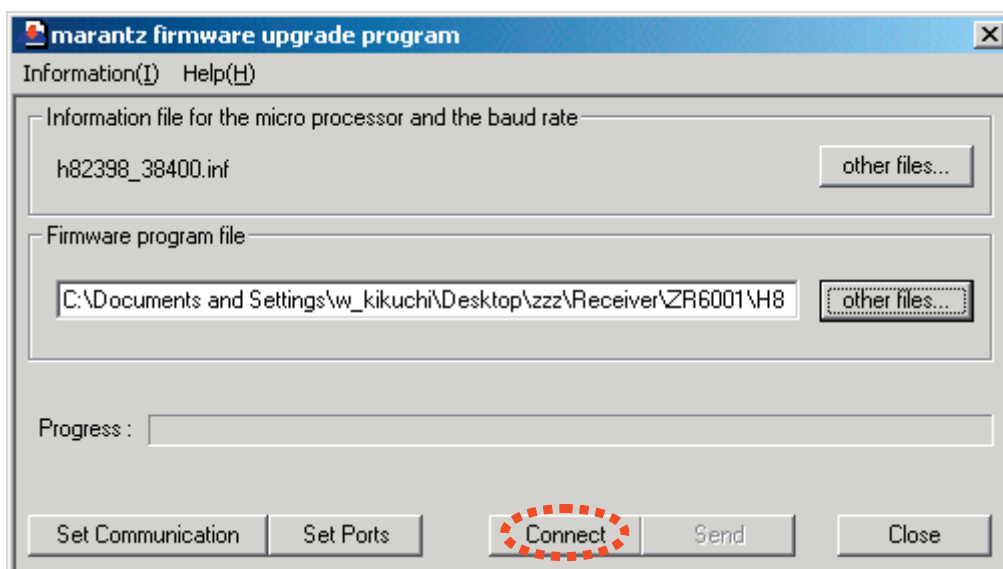
- 9. Click **other files...** from Firmware program file.



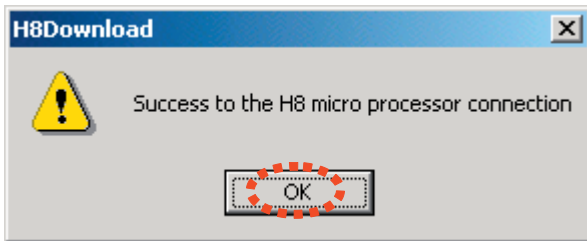
- 10. Choose **Zr6001Main_yymmdd.mot**. And click **Open**.
REMARK : yy is two digits of year. mm is month. dd is date.



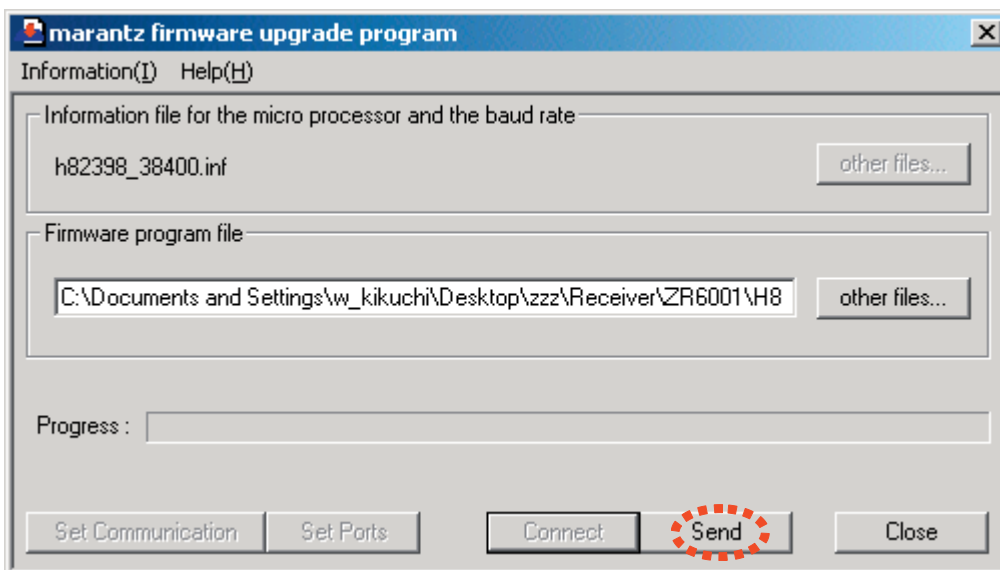
- 11. Click **Connect**.



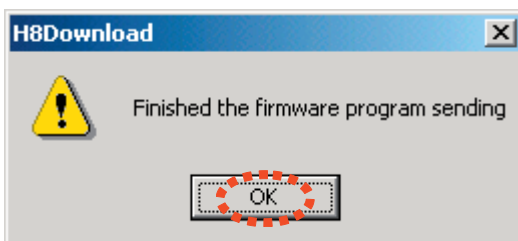
12. If the connection with the H8 μ -P is successfully made, a dialogue box saying "Success to the H8 micro processor connection" appears. If the connection fails, error message will appear.
Click **OK**.



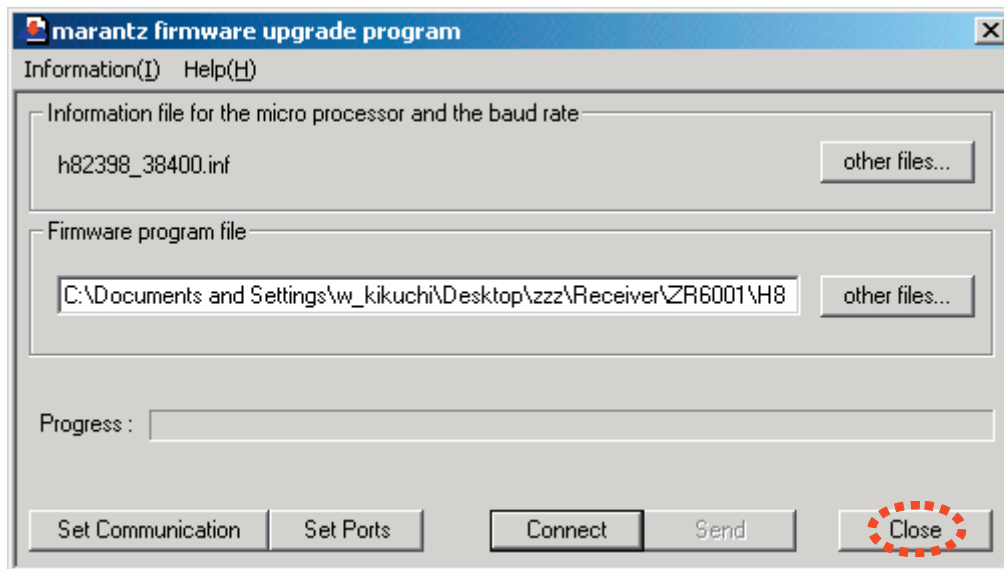
13. Click **Send** to start update.



14. If the firmware is updated successfully, a dialog box saying "Finished the firmware program sending" appears.
Click **OK**.



15. Click **Close** to close the application.



16. Turn off the unit. And disconnect FPC of the connection JIG from the unit.
17. Insert a thin rot to the hole and push the switch (SW10) inside to turn off the switch.

Firmware Version Check

To check the versions of the firmware, see "Microprocessor (CPU), DSP Version and FLD Segment Check Mode" in "**4. SERVICE MODE**" section.

Mode 3: Update SUB CPU's software to internal Flash-ROM.

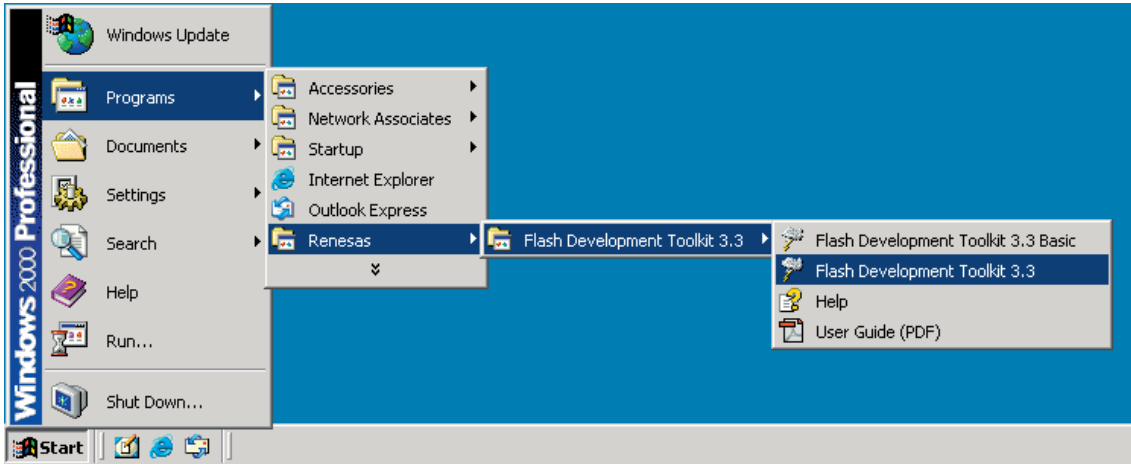
Download software for SUB CPU (Mode 3)

The writing software setup procedure

1. Launch the Flash Development Toolkit (FDT).

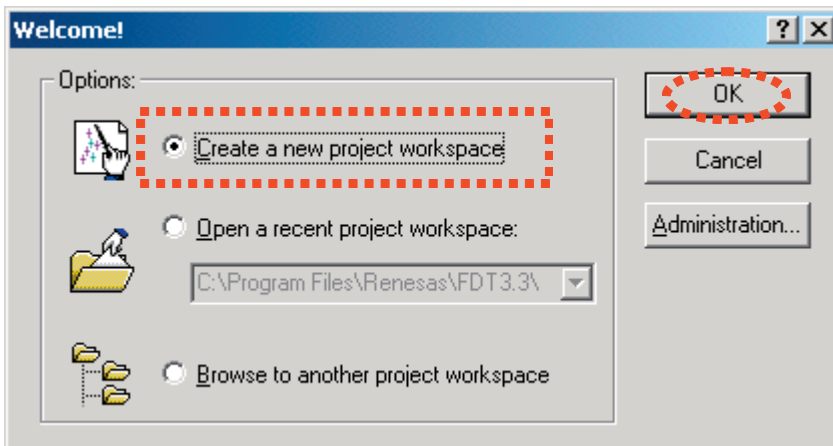
Note : Please refer to "[A] SOFTWARE (fdtv30300.exe) DOWNLOAD AND INSTALL PROCEDURE", when you do not have FDT.

2. Click **Start, Programs, Renesas, Flash Development Toolkit 3.3** and **Flash Development Toolkit 3.3**.

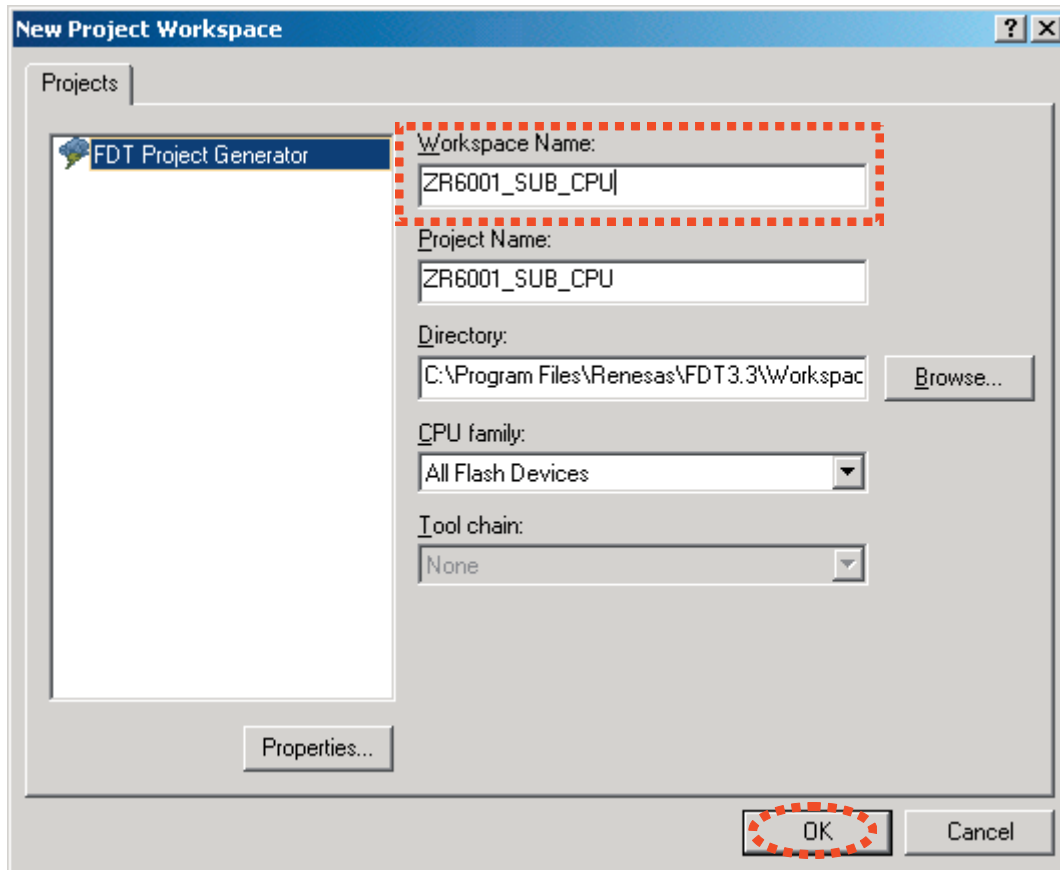


3. Check **Create a new project workspace**, and click **OK**.

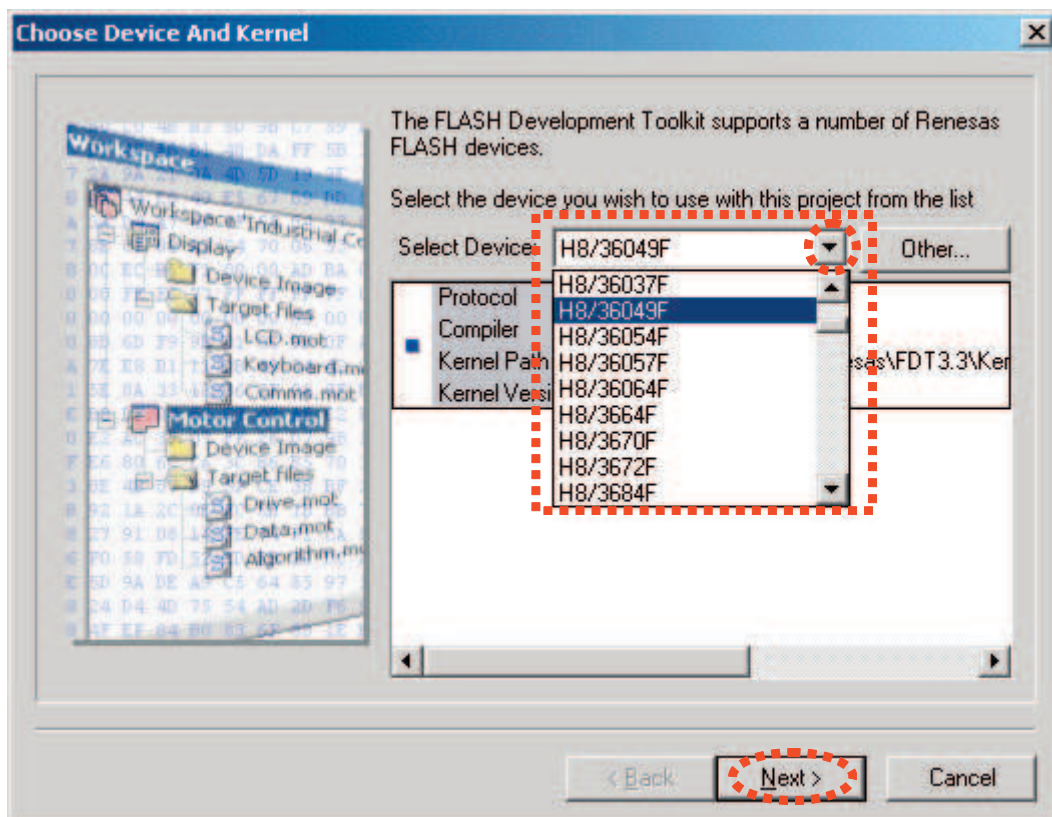
Note : It is needs setup for ZR6001. When you have already setup, please move on to "**Writing Procedure for SUB CPU**".



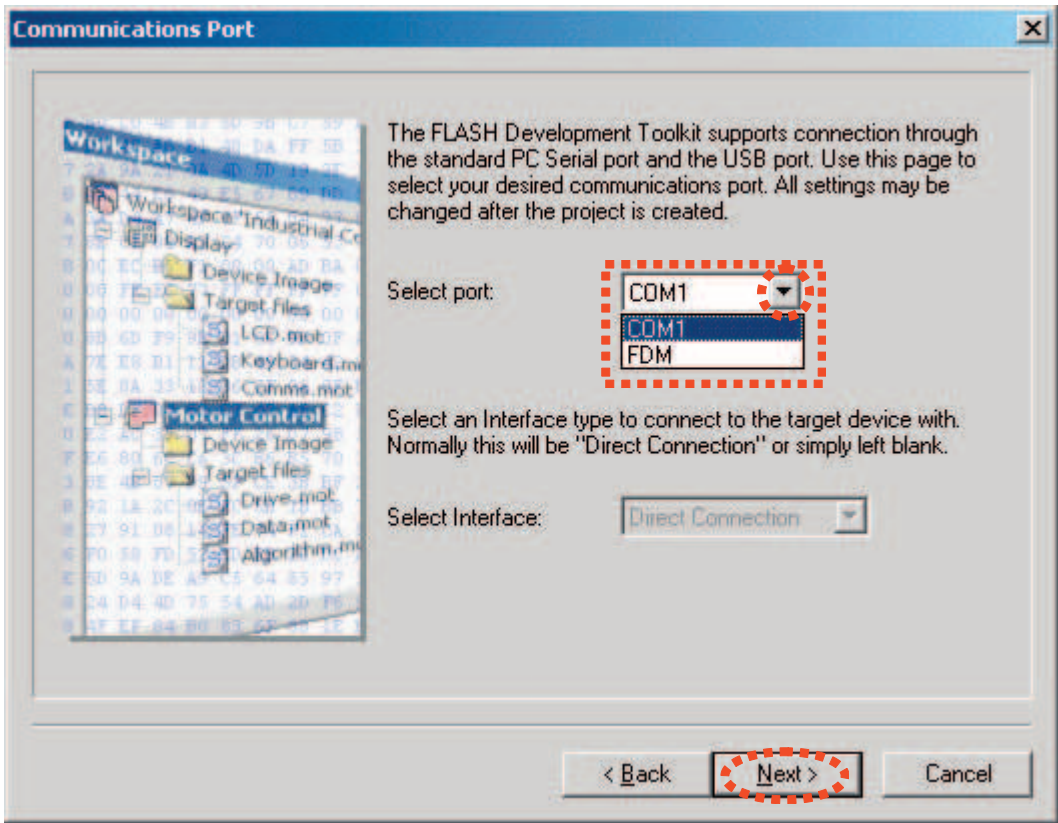
4. **ZR6001_SUB_CPU** is inputted into the Workspace Name.
(It is simultaneously inputted into Project Name.)
Click **OK**.



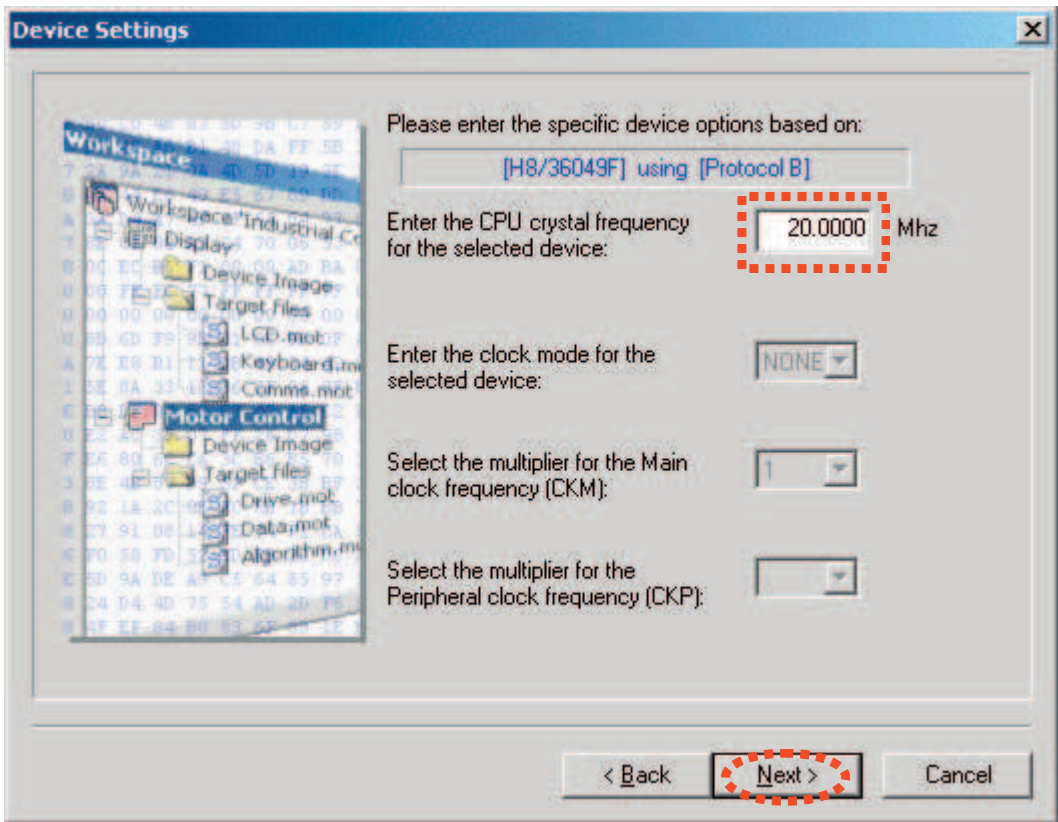
5. Choose the **H8/36049F** in Select Device.
Click **Next**.



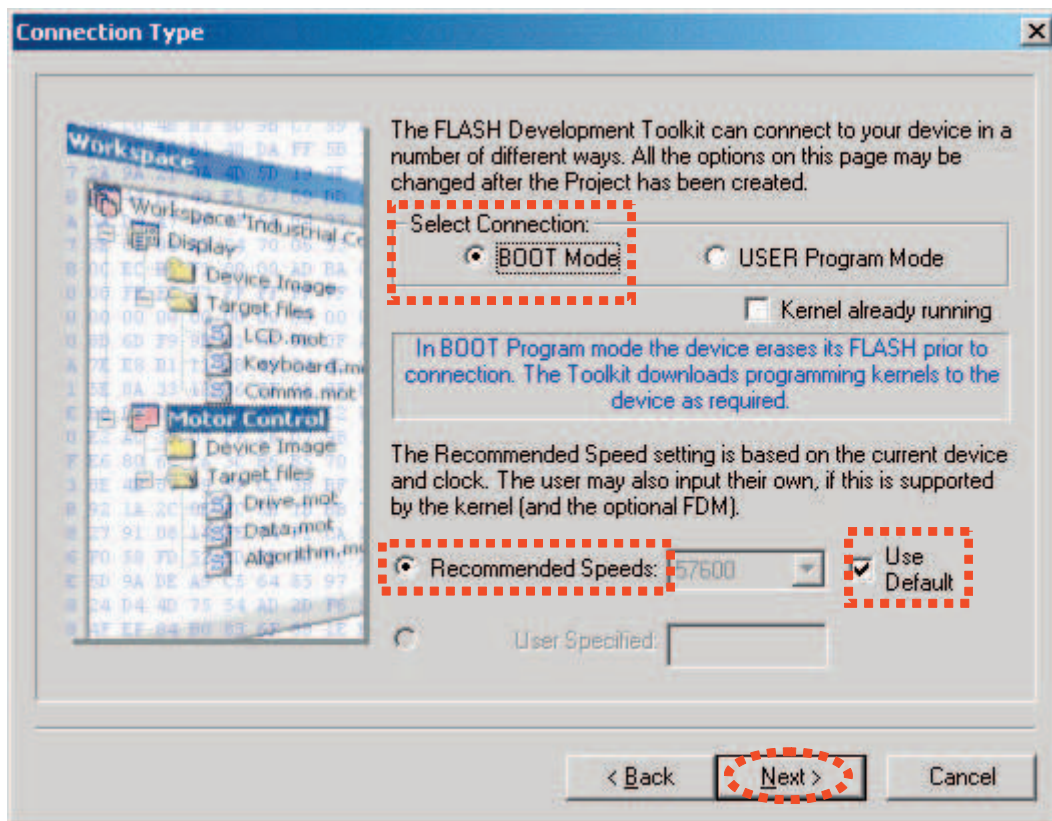
6. Choose the **Serial port No.** in the Select Port.
Click **Next**.



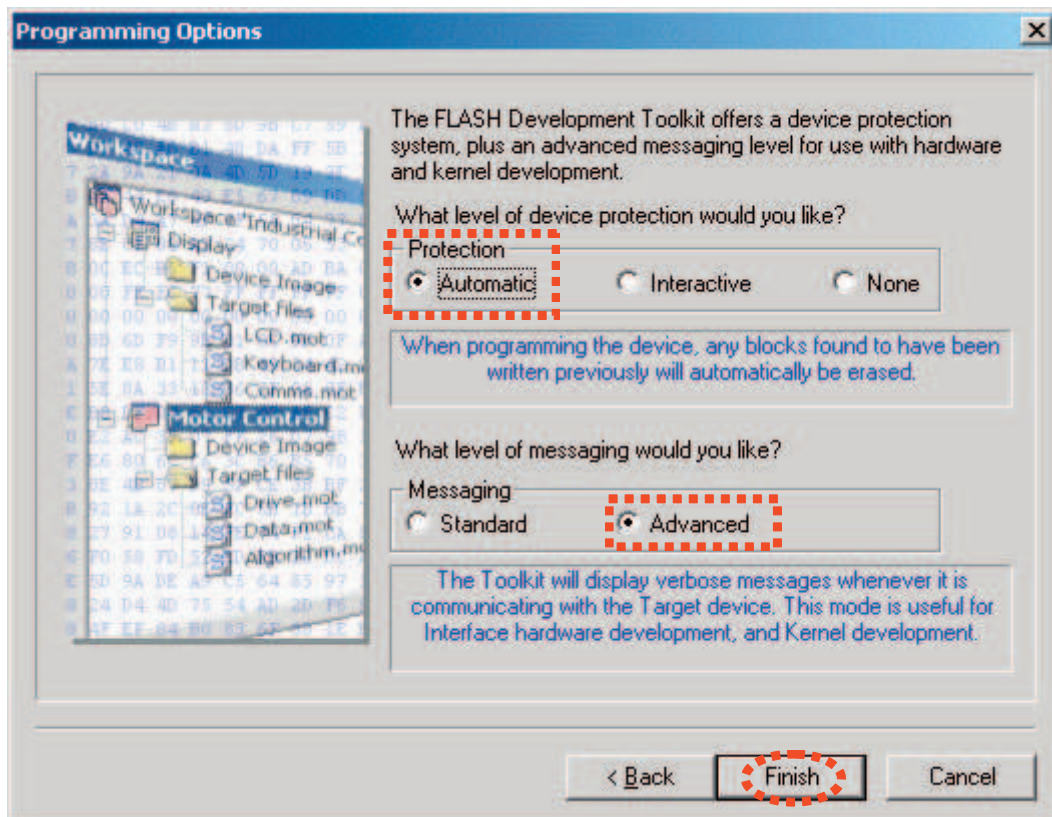
7. **20.0000** is inputted into the Enter the CPU crystal frequency for the selected device.
Click **Next**.



- Check The **BOOT Mode** in Select Connection.
Check **Recommended Speeds** and **Use Default**, and click **Next**.

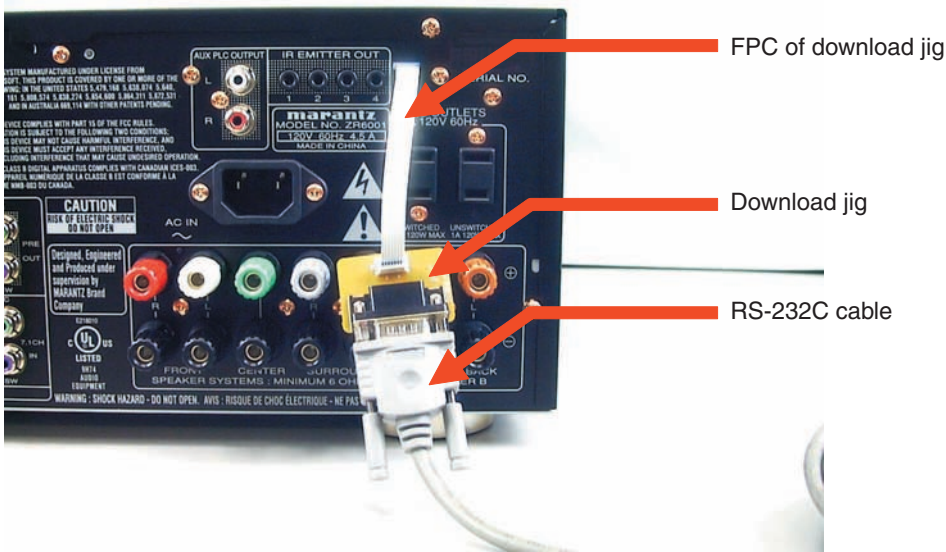


- Check the **Automatic** in Protection.
Check the **Advanced** in Messaging.
Click **Finish**.



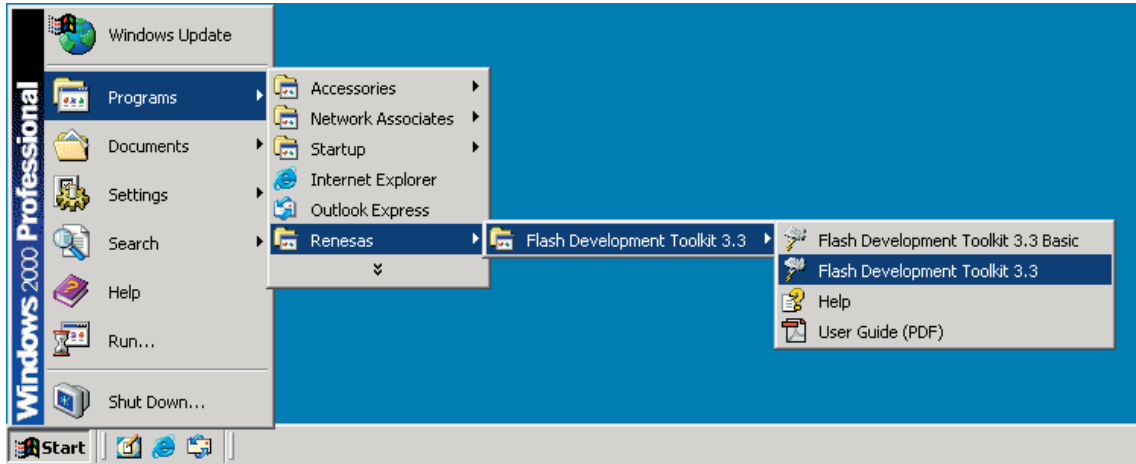
Writing Procedure for SUB CPU

1. Disconnect the mains cord from the unit.
2. Connect RS-232C on the download jig and Serial Port of windows PC with RS-232C cable.
3. Connect FPC from download jig to update connector in rear panel of the unit.

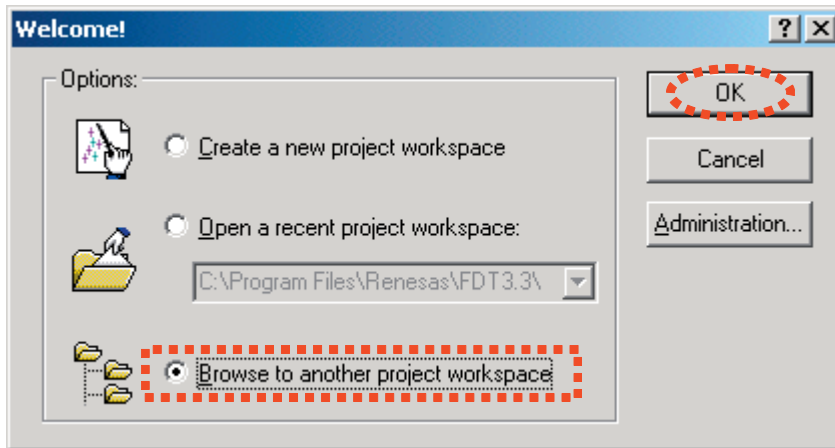


4. Connect the mains cord into the unit.
5. Launch the Flash Development Toolkit (FDT). (When FDT is not launch.)
Note : When FDT is already launch, please move to No.18.

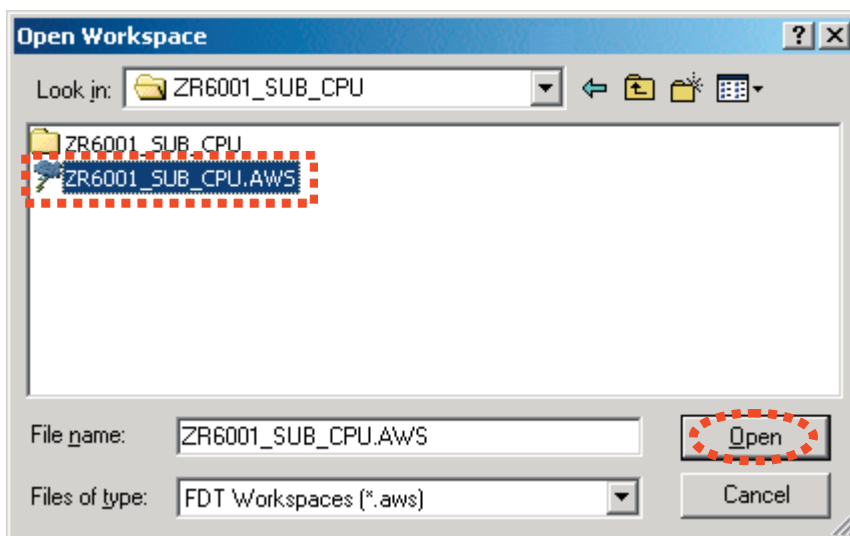
6. Click **Start, Programs, Renesas, Flash Development Toolkit 3.3** and **Flash Development Toolkit 3.3**.



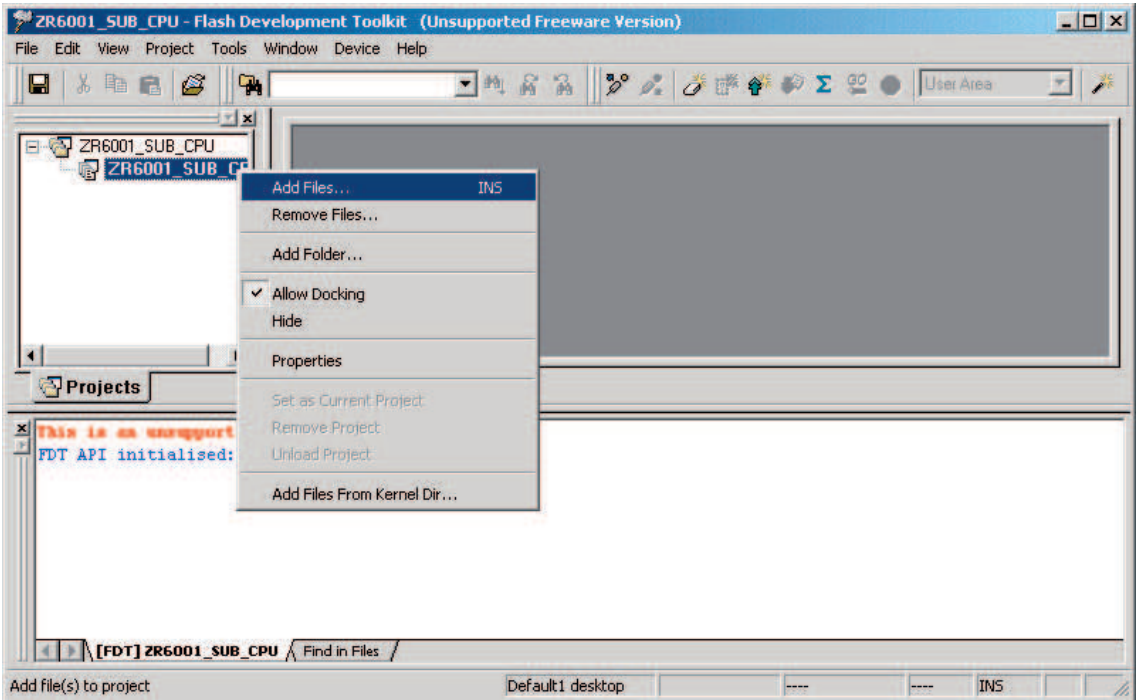
7. Check **Browse to another project workspace**, and click **OK**.



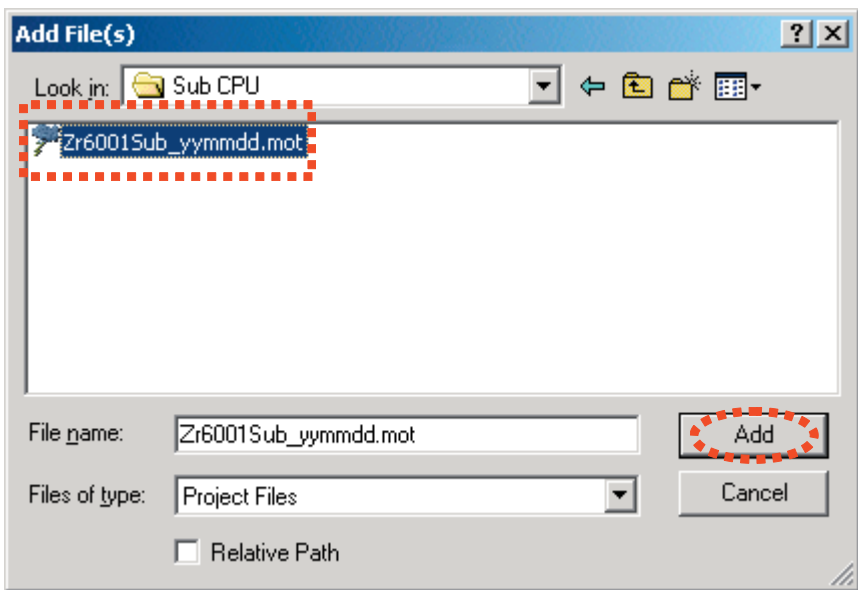
8. Choose **ZR6001_SUB_CPU.AWS** in ZR6001_SUB_CPU folder under workspace folder. And click **Open**.



9. Right button of mouse click on the **ZR6001_SUB_CPU**, and select the **Add Files...** in a menu.

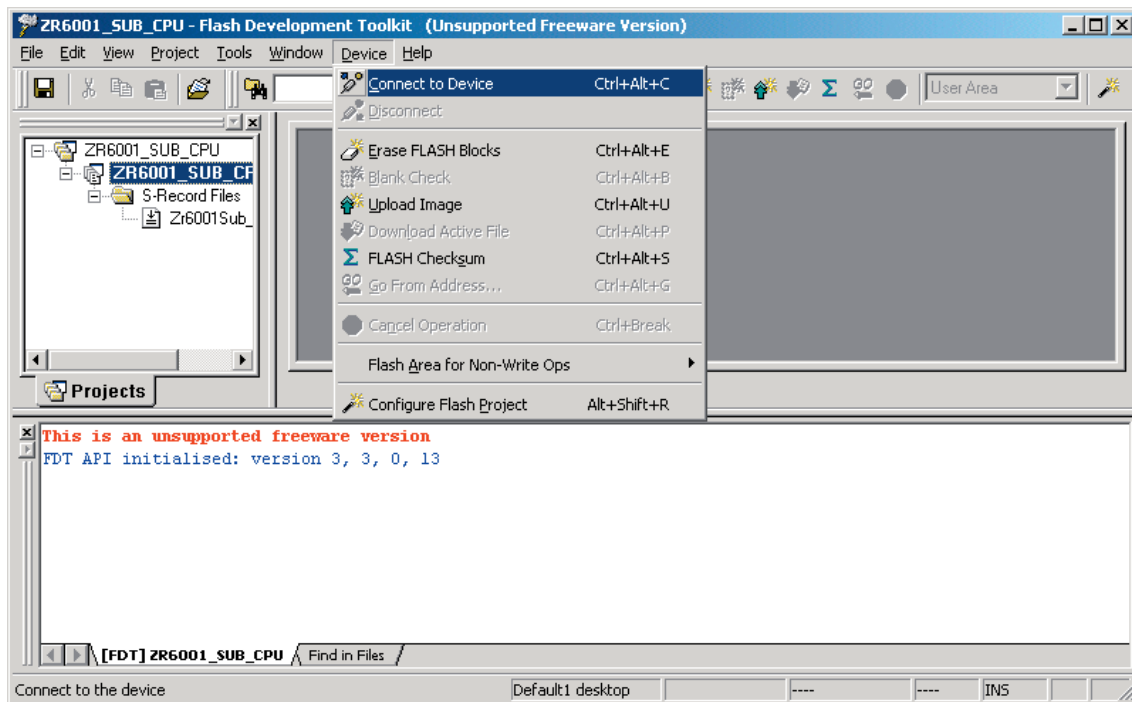


10. Choose the **Zr6001Sub_yymmdd.mot**, and click **Add**.

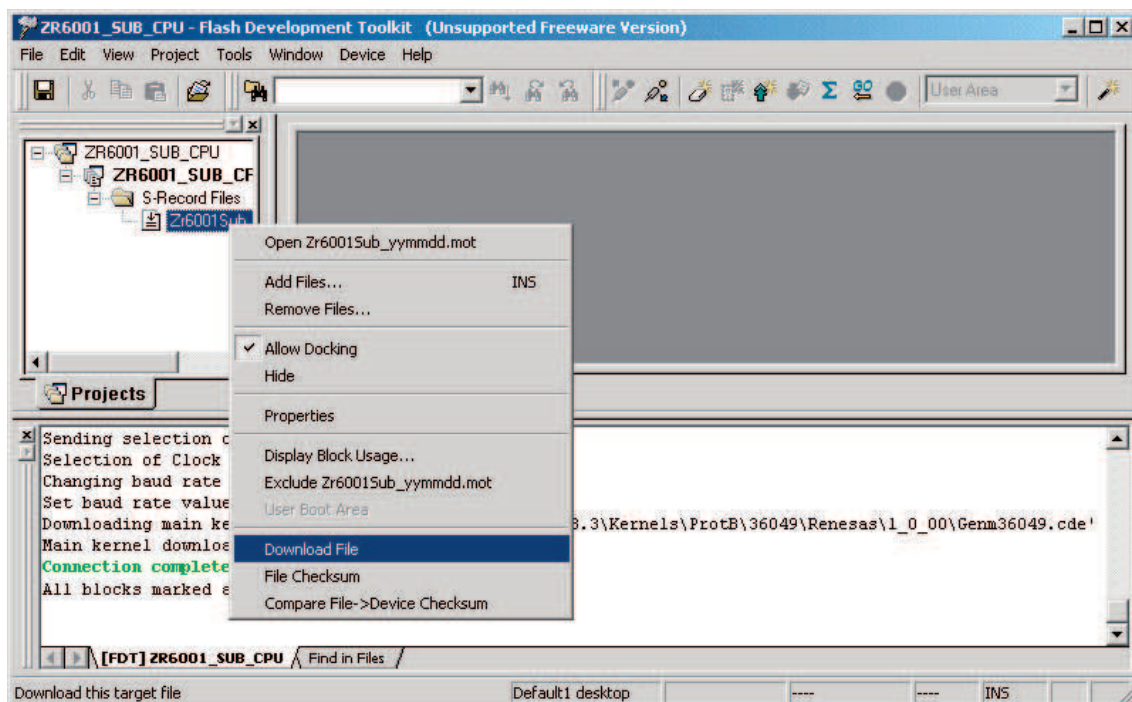


11. Turn on the unit, and wait for about 10 seconds.
12. Press **ENTER**, **▶ (Right arrow)** and **MUTE** button simultaneously more than 5 seconds, and turn on update mode.
13. "SUB SYS LOAD" is shown on FLD.

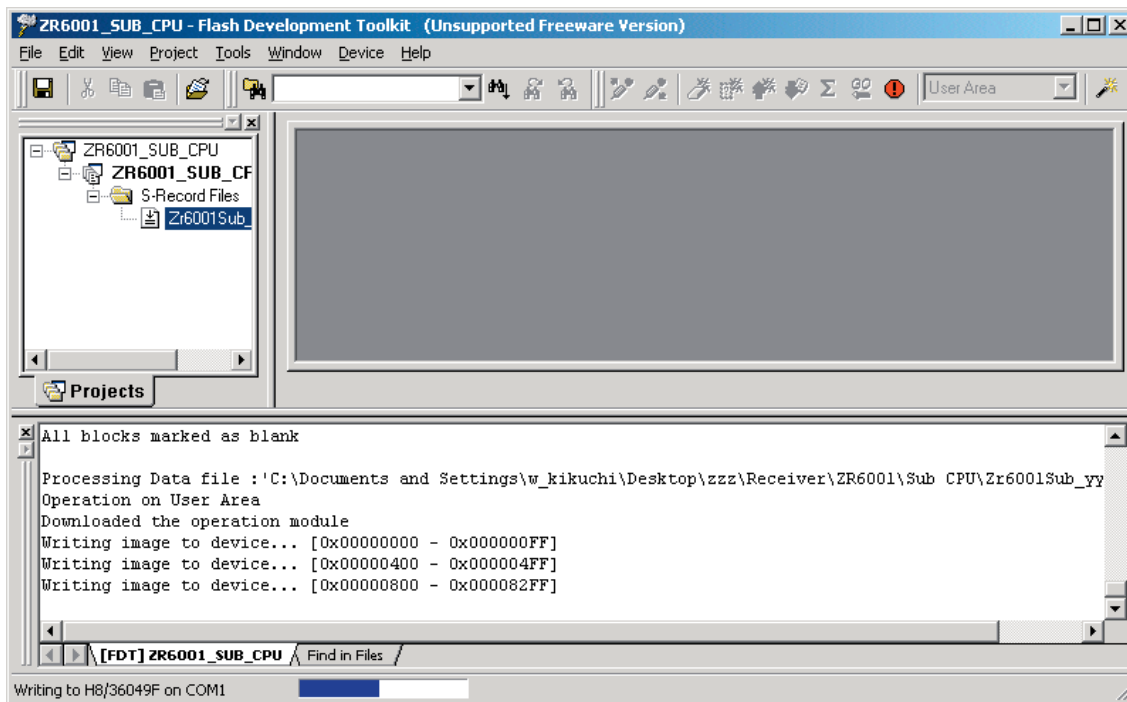
14. Click **Device** in the menu bar and select **Connect to Device**.



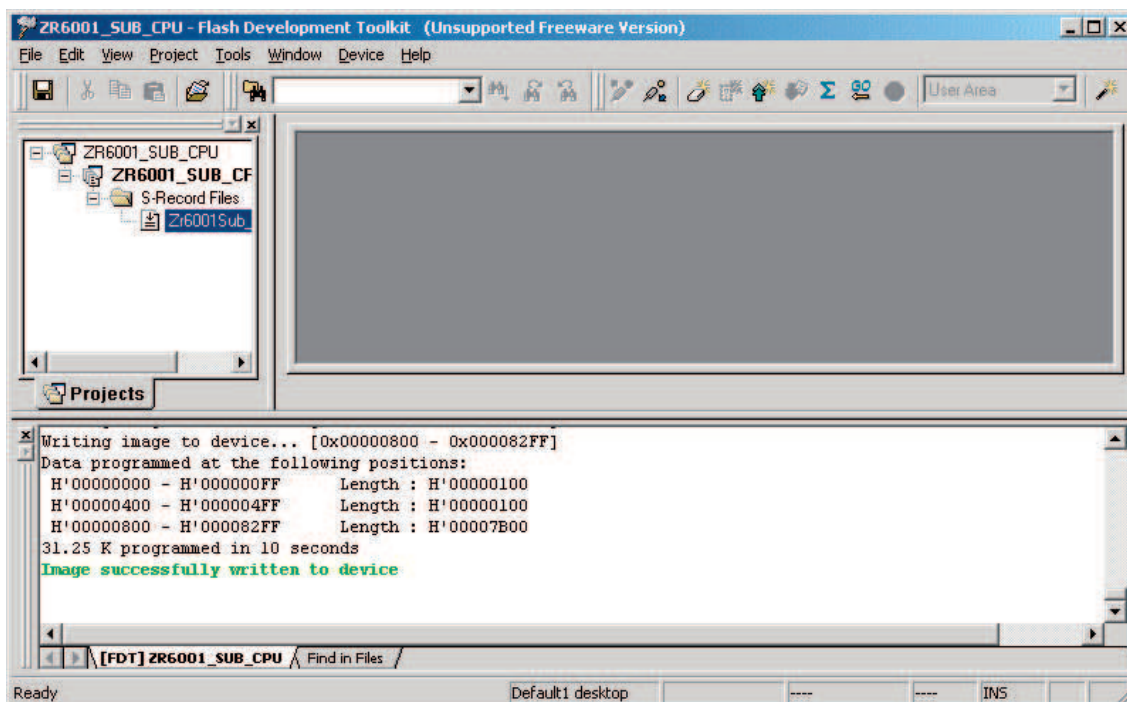
15. Press right button of mouse on the **Zr6001Sub_yymmdd.mot**, and select the **Download File** in a menu.



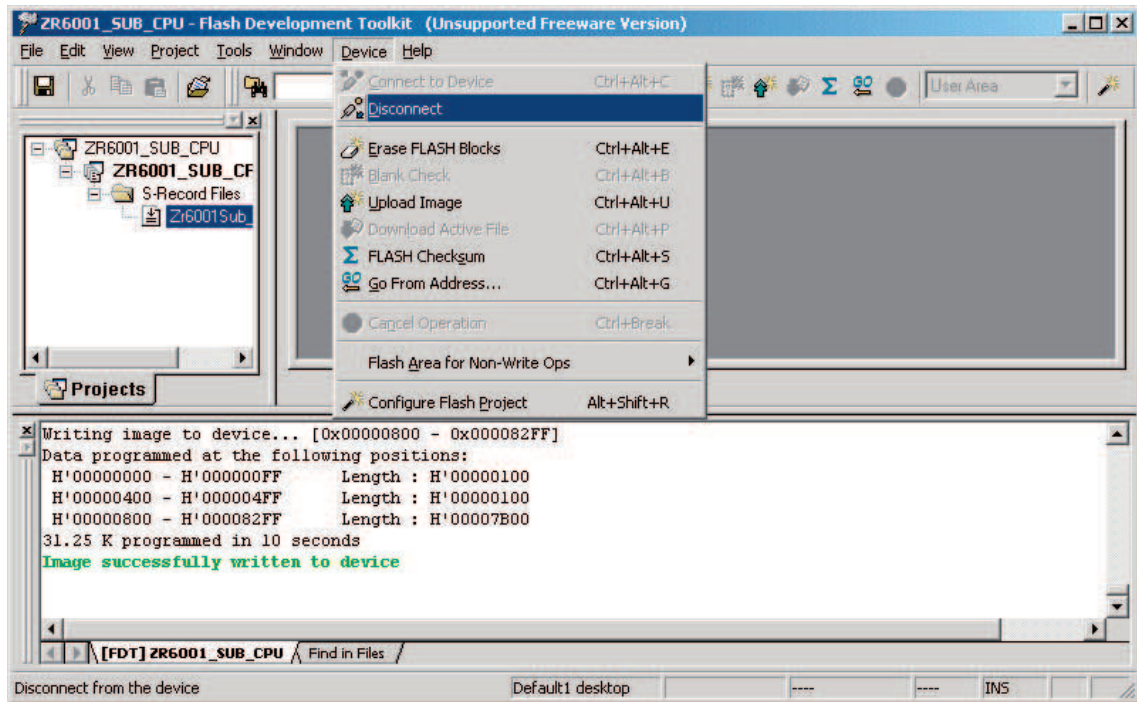
16. Software is written into the SUB CPU.



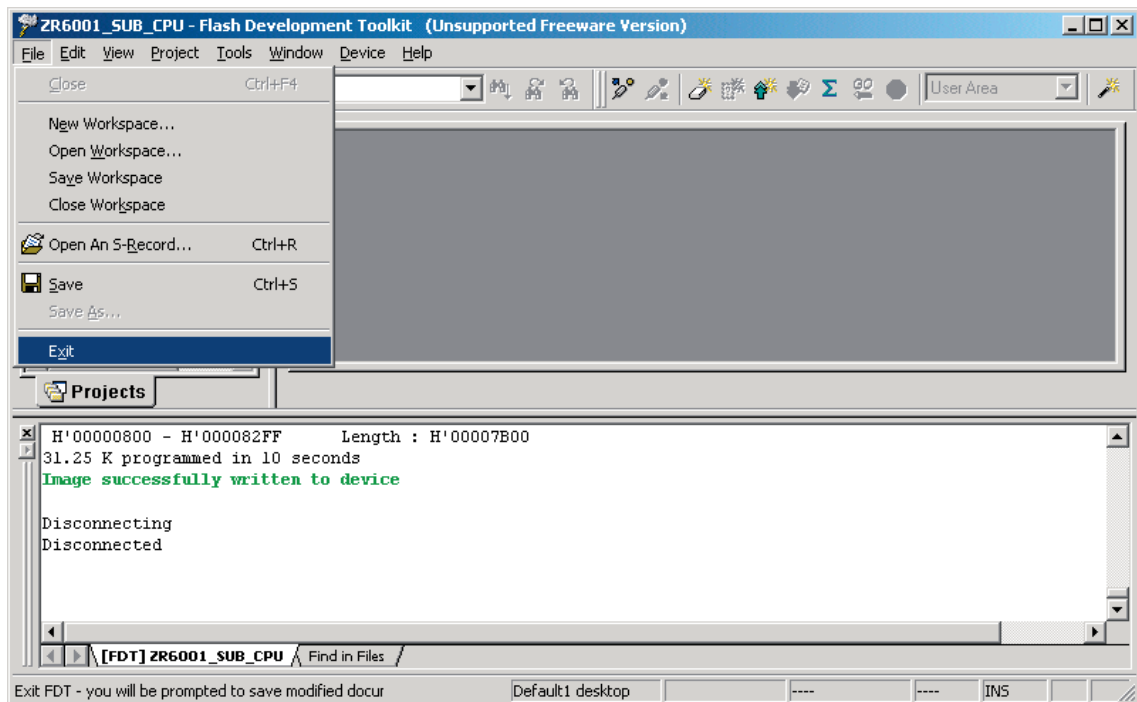
17. The writing of software takes about 15 seconds.



18. Click **Device** in the menu bar and select **Disconnect**.



19. Click **File** and select **Exit** in menu, when ending writing software.

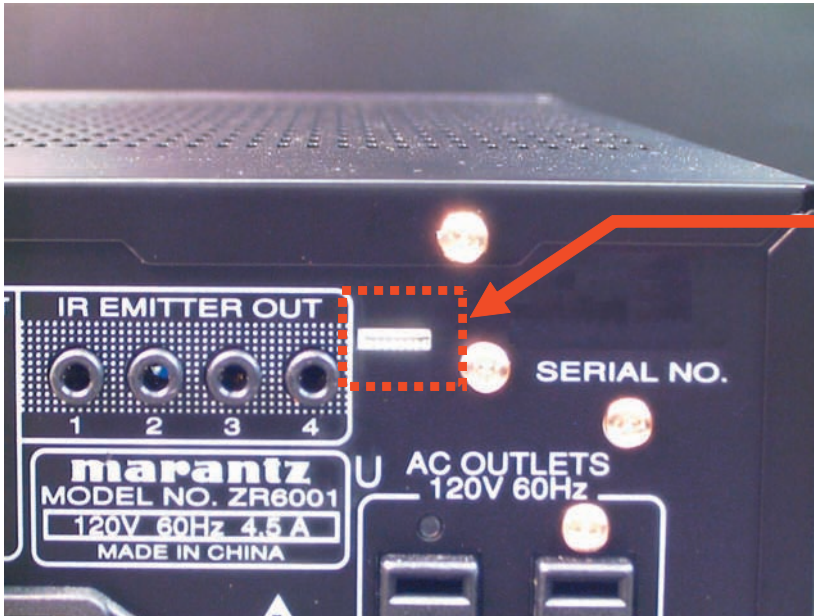


20. Disconnect the mains cord from the unit. And disconnect the FPC of download jig.

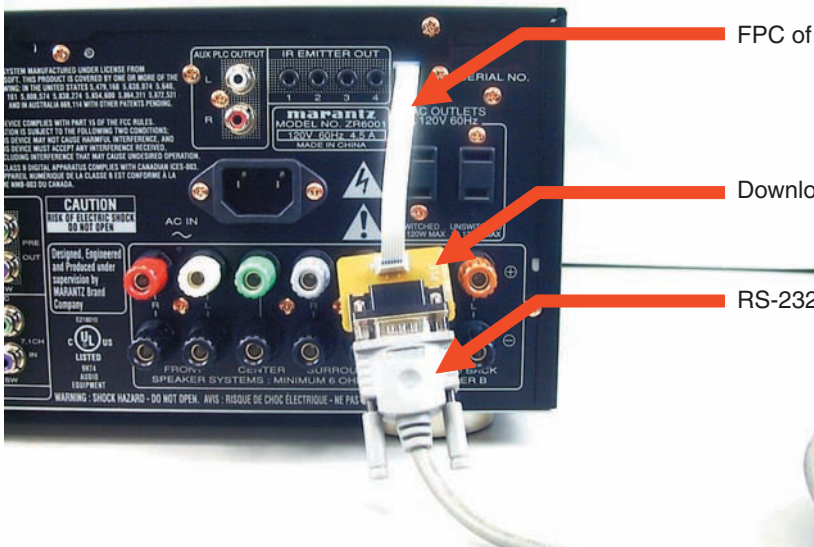
Mode 4: Update PLC's firmware to PLC MODULE

Download firmware for PLC (Mode 4)

1. Disconnect the mains cord from the unit.
2. Connect RS-232C on the download jig and Serial Port of windows PC with RS-232C cable.
3. Connect FPC from download jig to update connector in rear panel of the unit.



Update connector for
SUB CPU and PLC



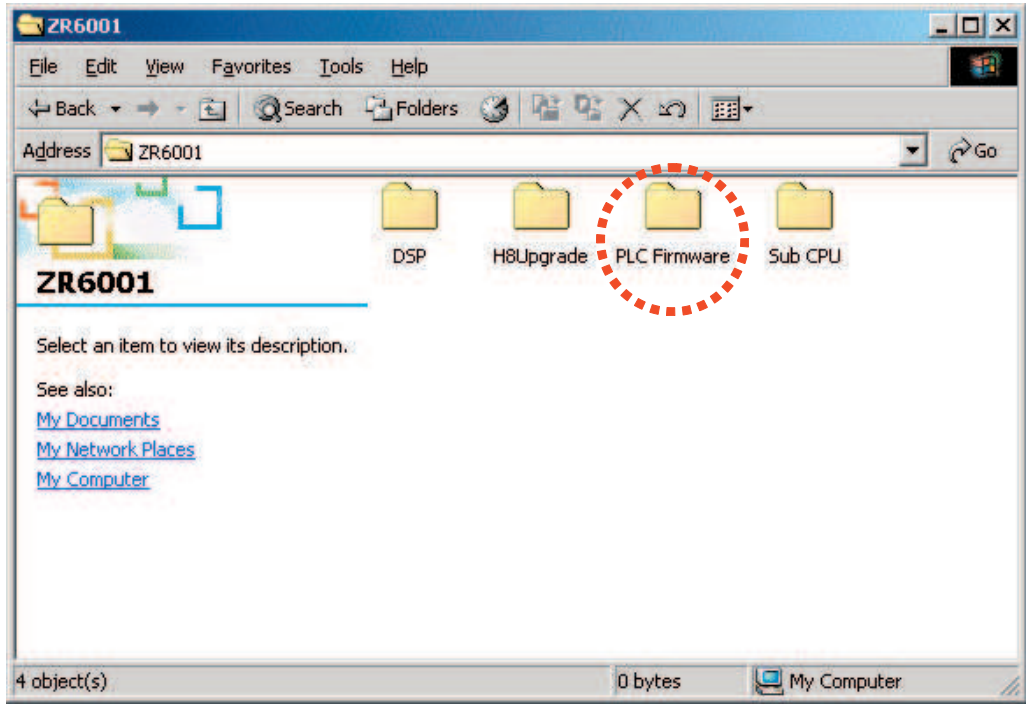
FPC of download jig

Download jig

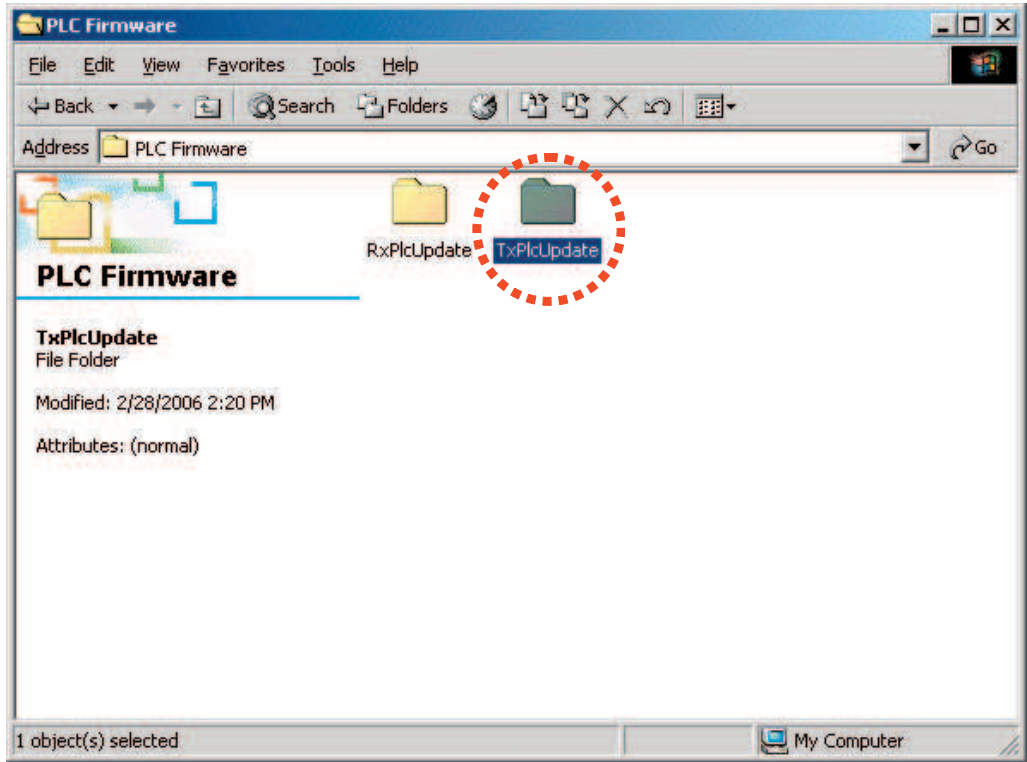
RS-232C cable

4. Connect the mains cord into the unit.
5. Turn on the unit, and wait for about 10 seconds.
6. Press **ENTER**, **◀ (Left arrow)** and **MUTE** button simultaneously more than 5 seconds. And turn on update mode.
7. "PLC FW LOAD" is shown on FLD.

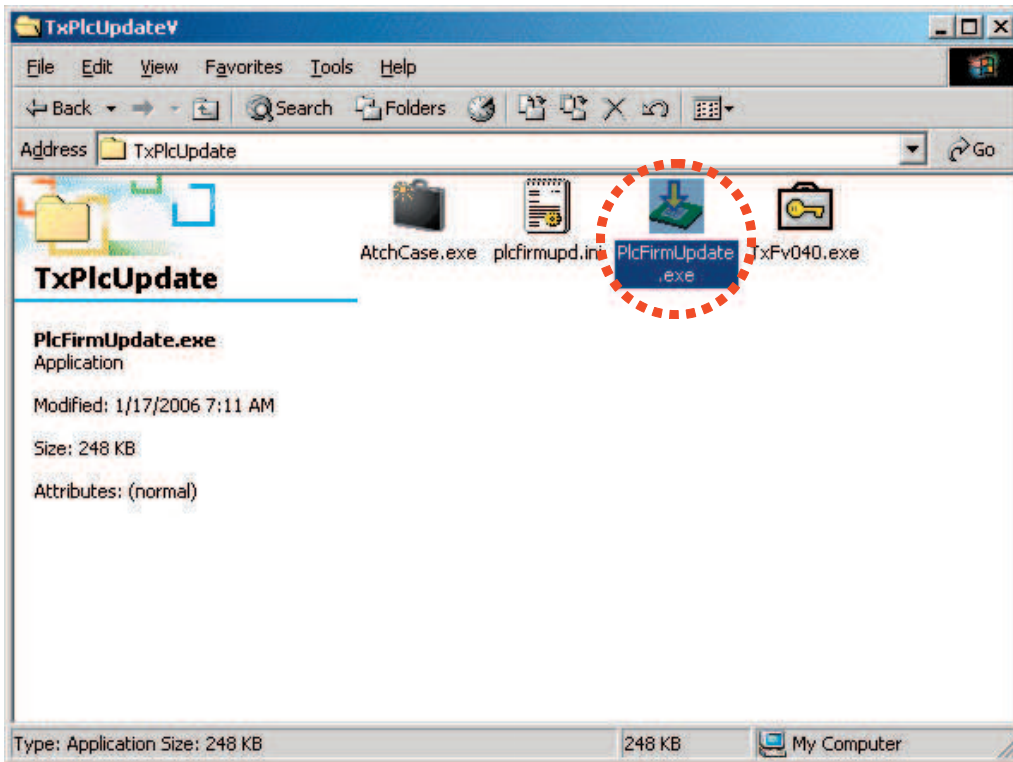
- 8. Put the "PCL Firmware" folder into anywhere on your PC's hard disc.



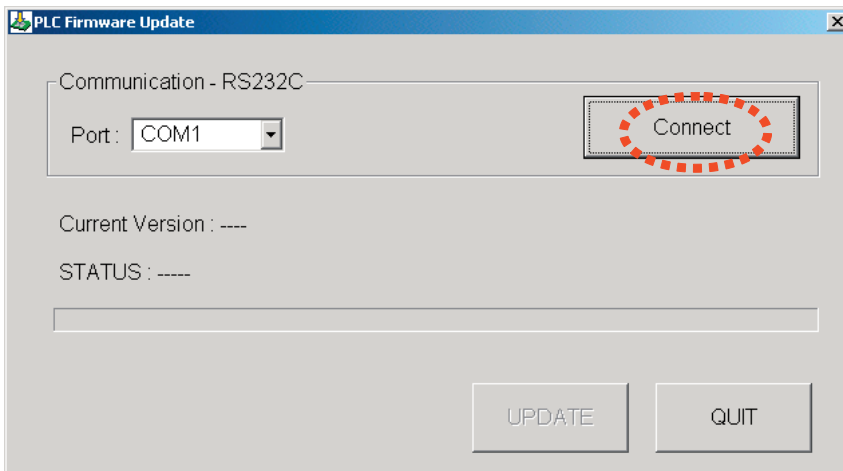
- 9. Double click TxPlcUpdate folder.



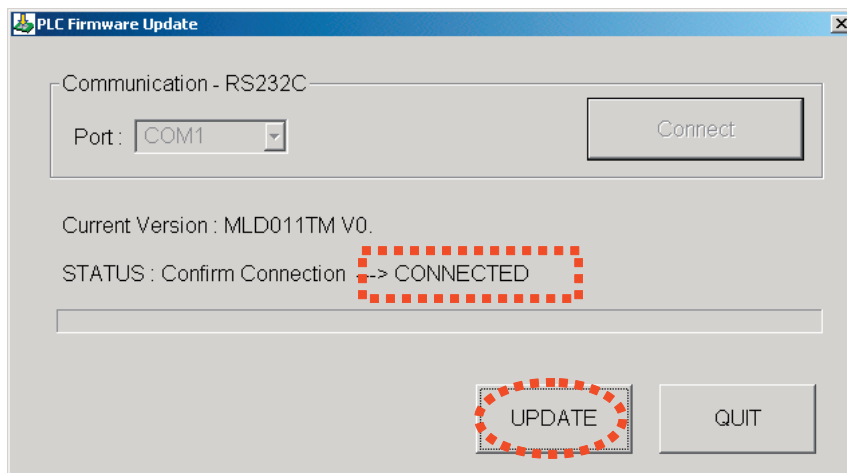
10. Double click the PlcFirmUpdate.exe. And Launch the PLC Firmware Update.



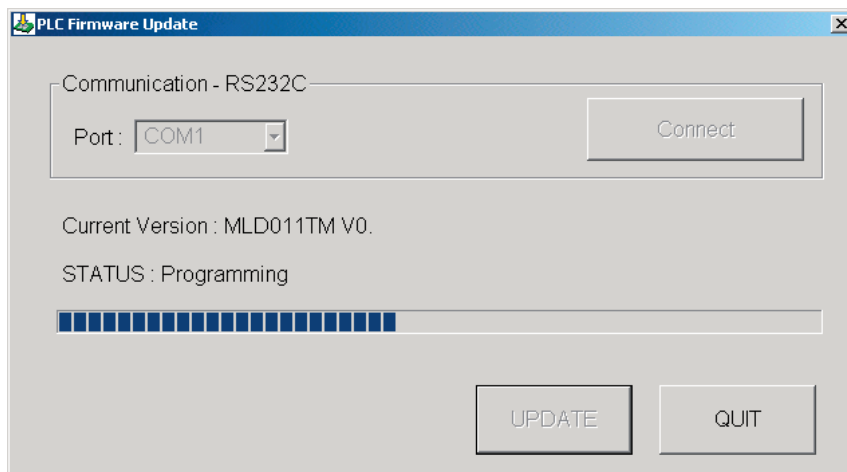
11. Click **Connect**.



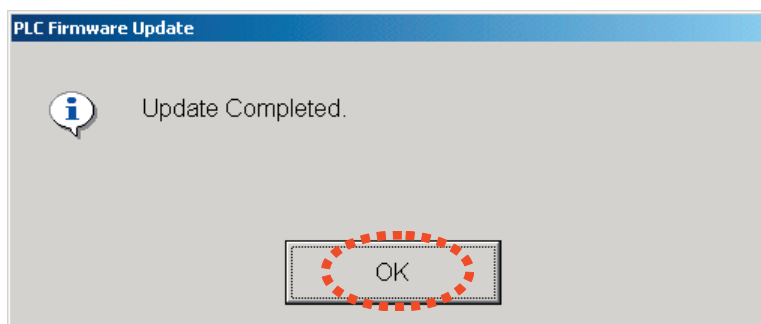
12. When "CONNECTED" appear in STATUS, connection is success.
Click **UPDATE**.



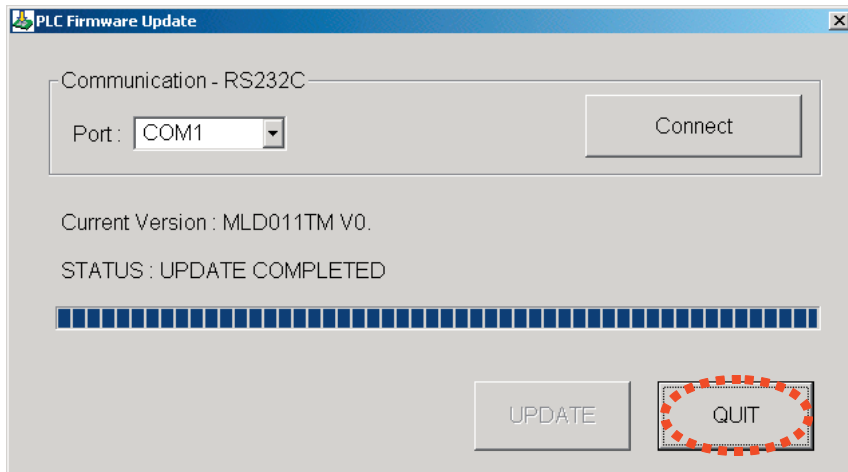
13. Firmware is written into the PLC MODULE.
The writing of firmware takes about 1 minute.



14. Click **OK**.

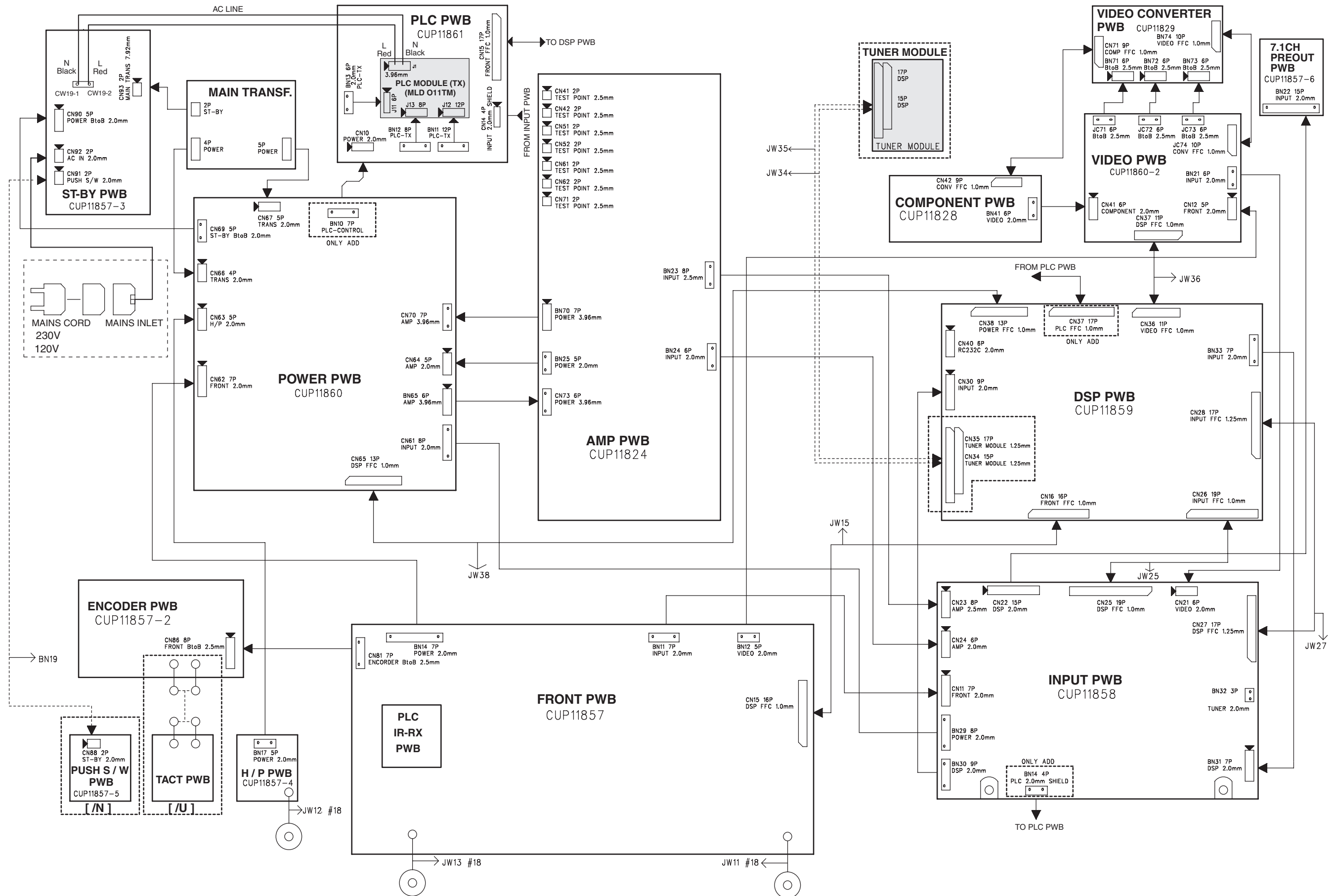


15. Click **QUIT**.

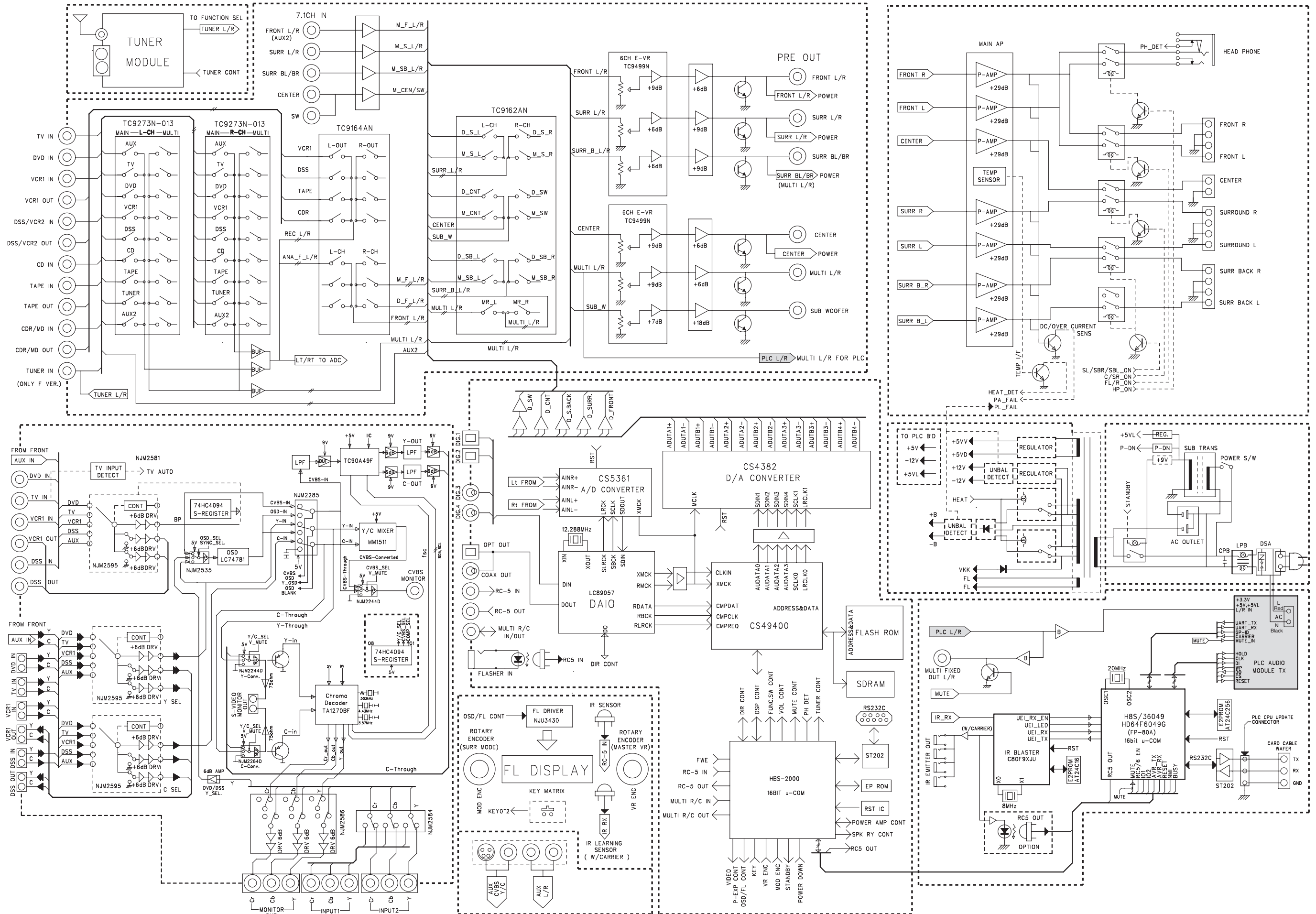


16. Disconnect the mains cord from the unit. And disconnect the FPC of download jig.

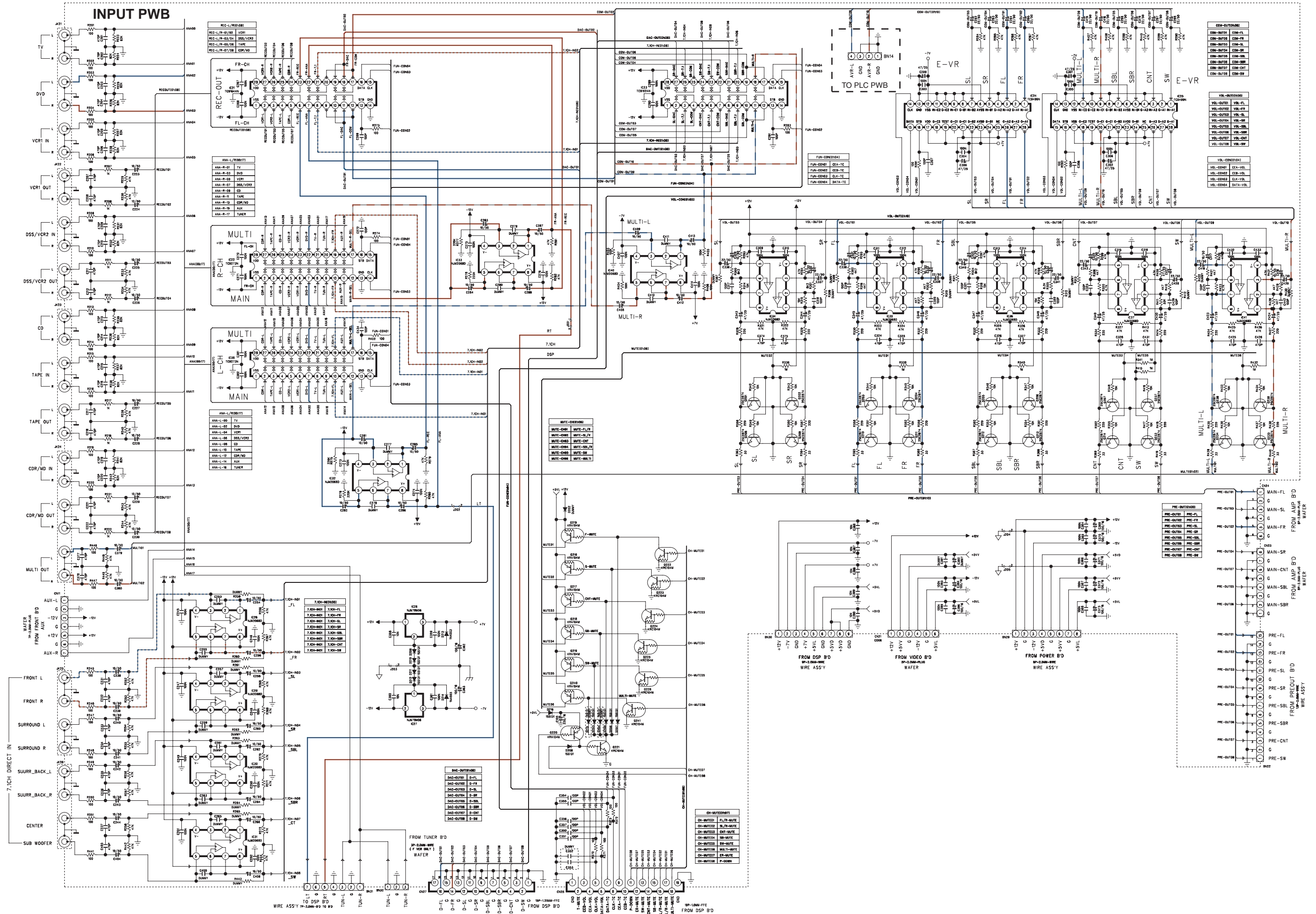
7. WIRING DIAGRAM



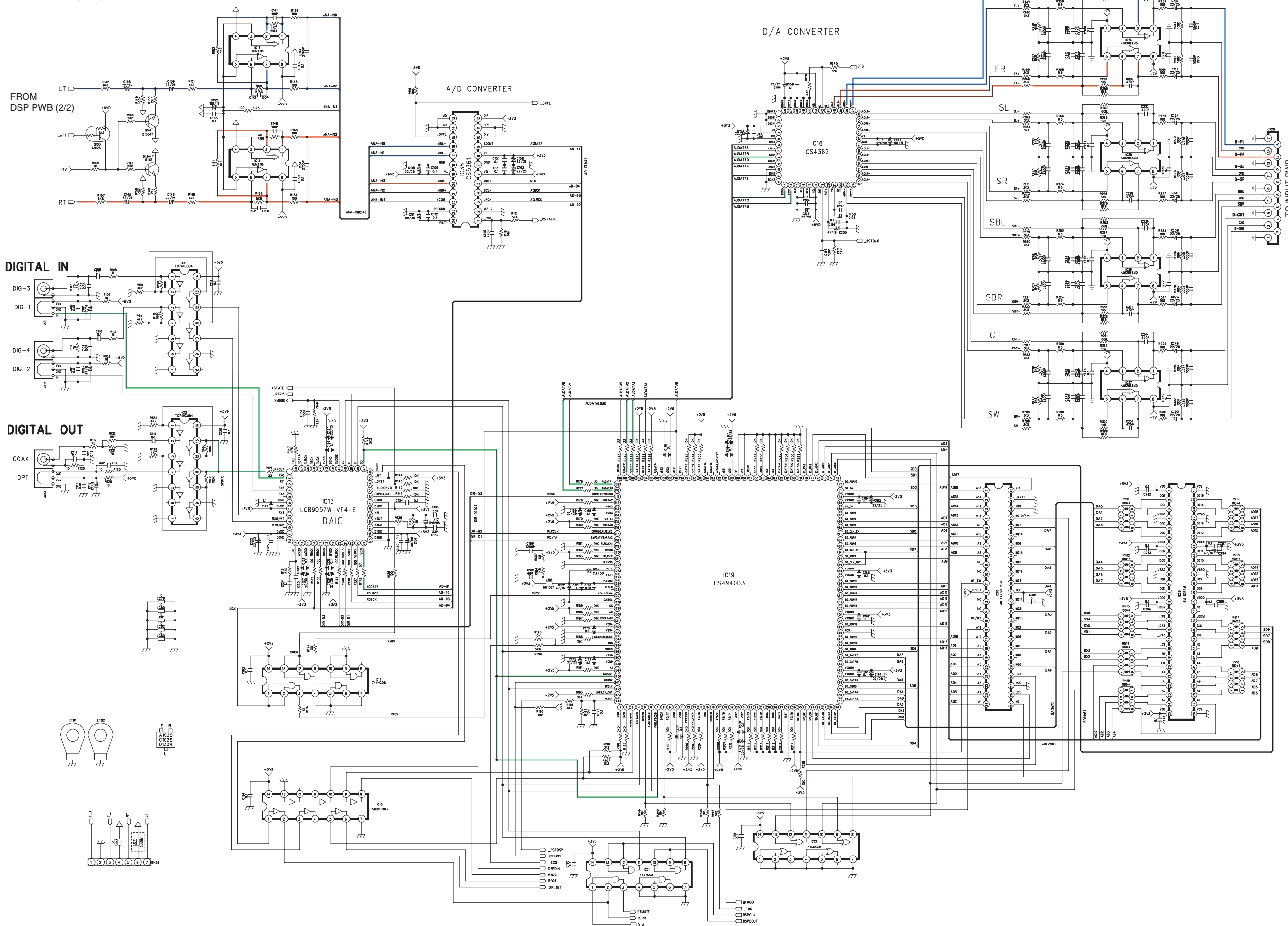
8. BLOCK DIAGRAM



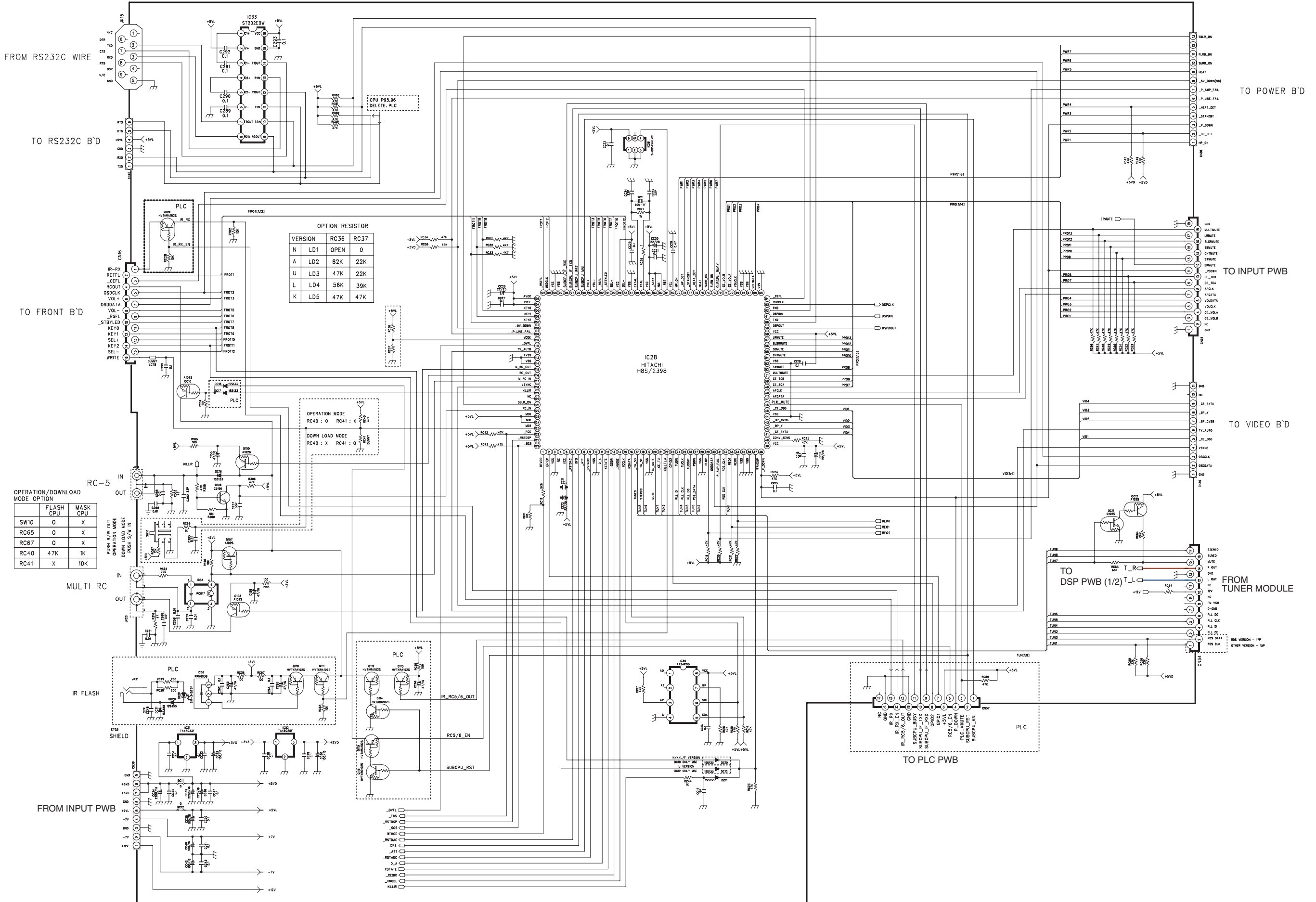
9. SCHEMATIC DIAGRAM

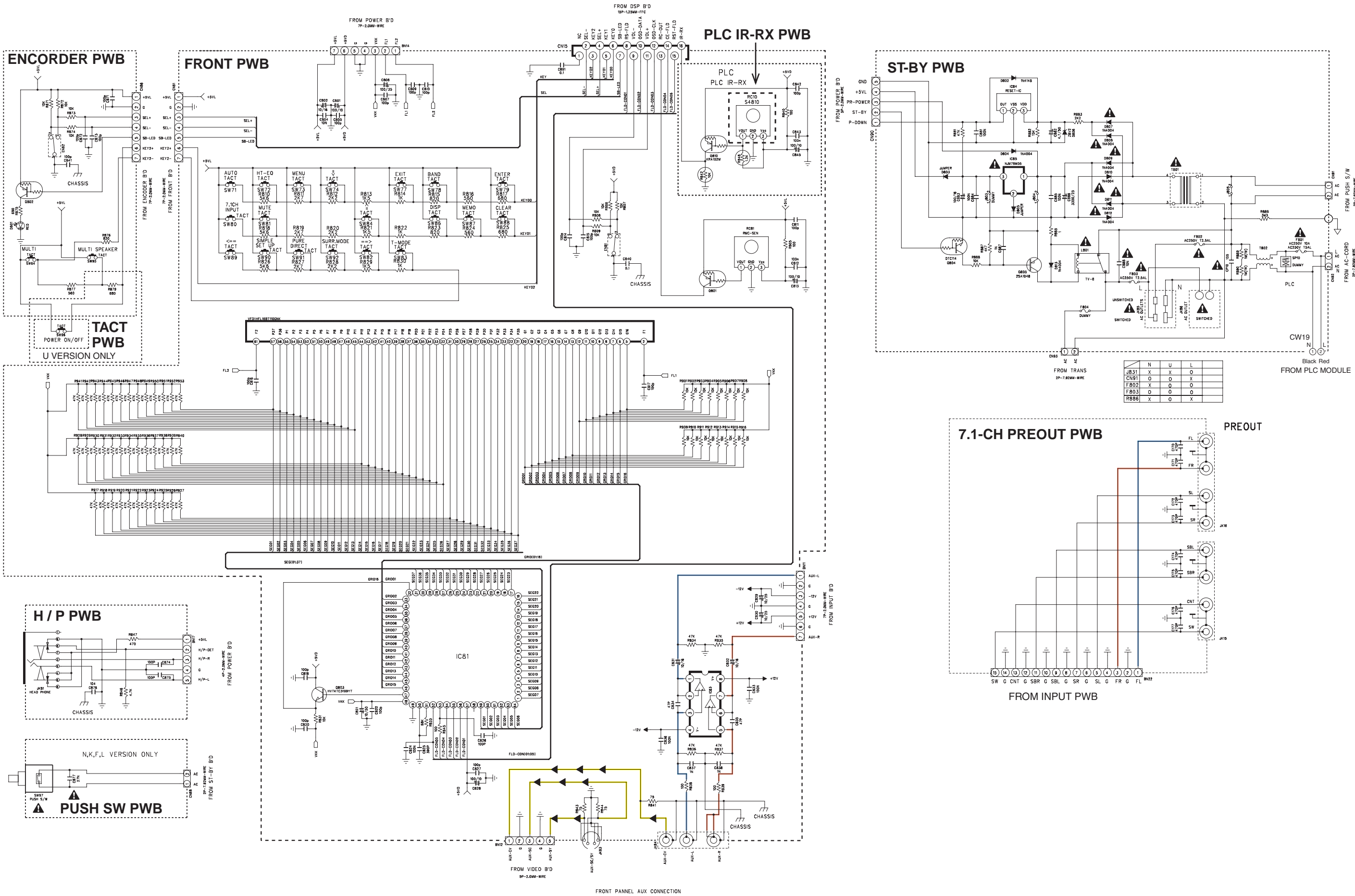


DSP PWB (1/2)

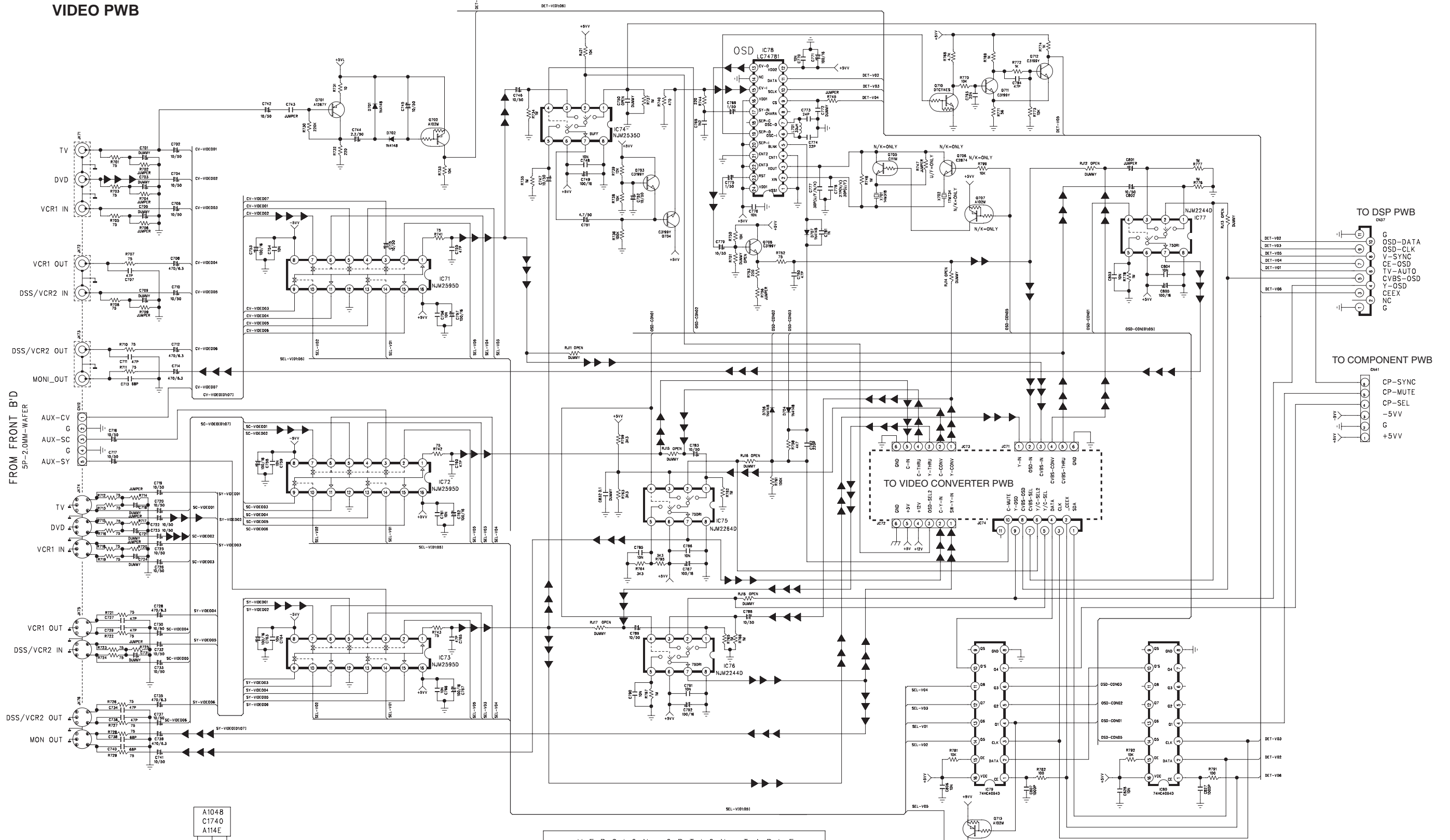


DSP PWB (2/2)





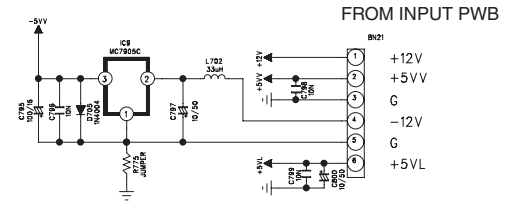
VIDEO PWB



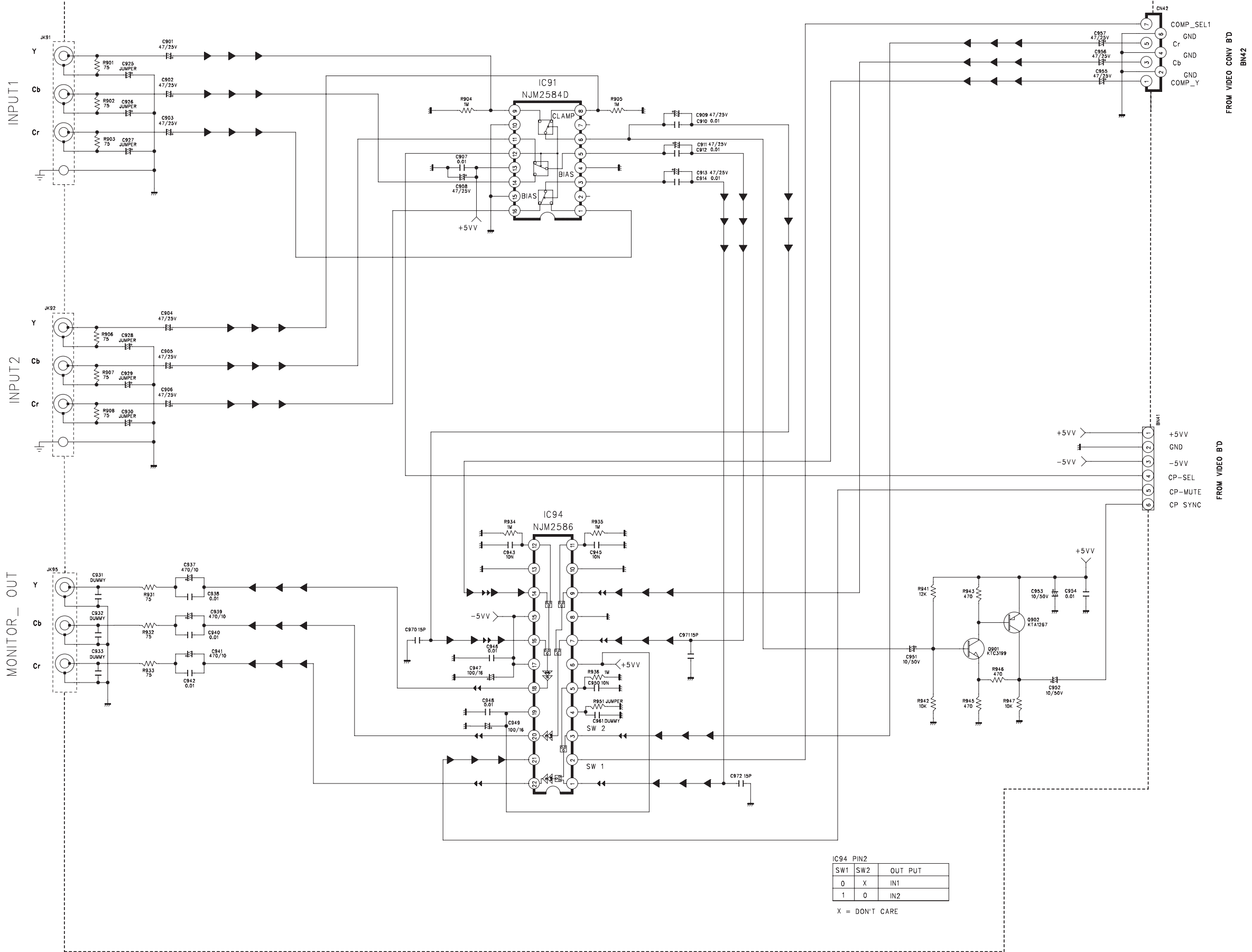
A104B
C1740
A114E
E C B

VERSION OPTION TABLE

		N(EUR) K(CHN)	A(AUS)	U(USA) F(JPN)	L(TWN)
C777	LOAD CAP	30p		30p	
C778	LOAD CAP	27p		30p	
Q705	KRC111M	○		×	
Q706	KRC111M	○		×	
Q707	KRA102M	○		×	
R747	JUMPER	×		○	
X702	17.7344MHz	○		×	



COMPONENT PWB

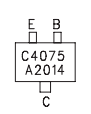
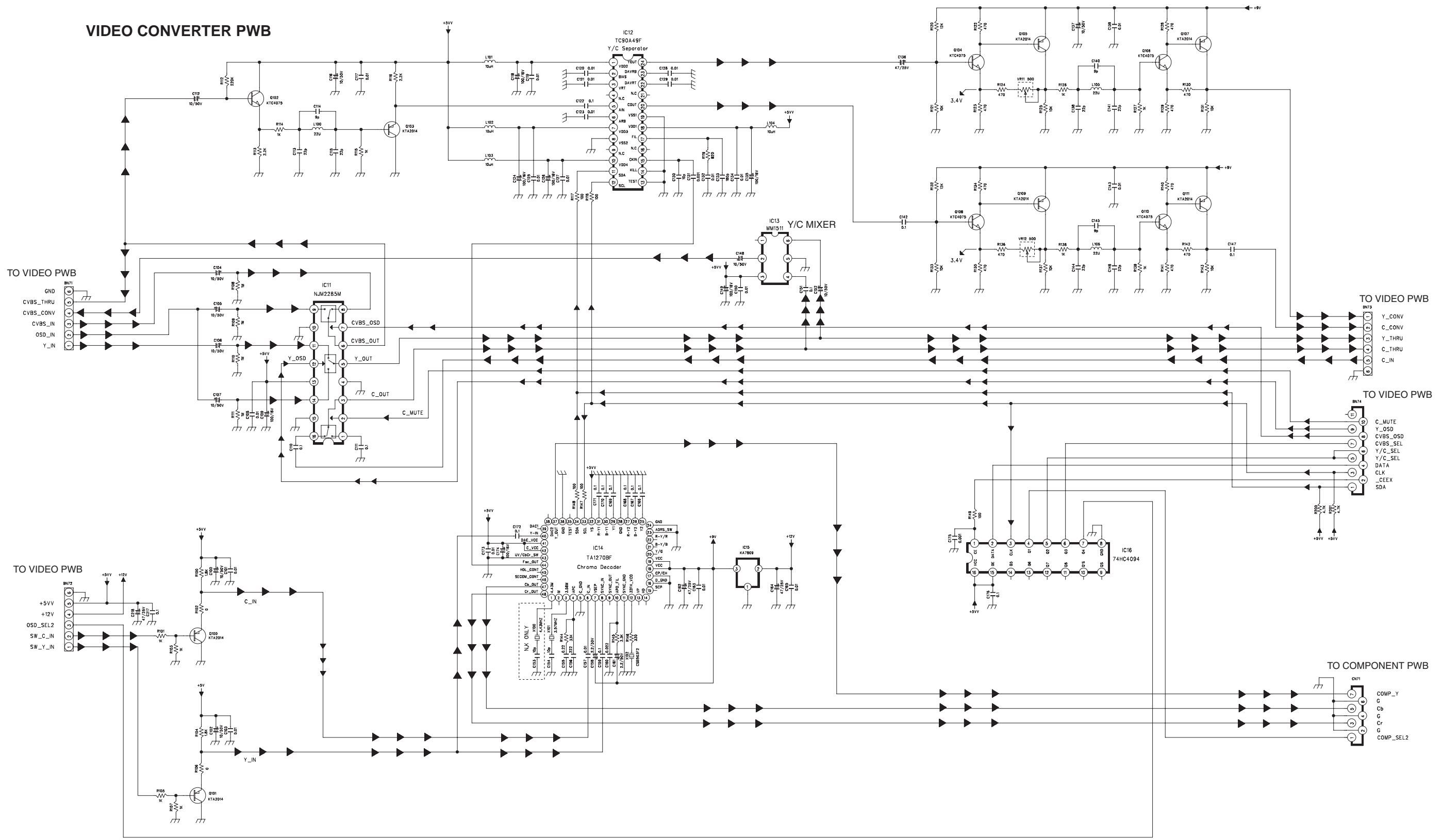


IC94 PIN2

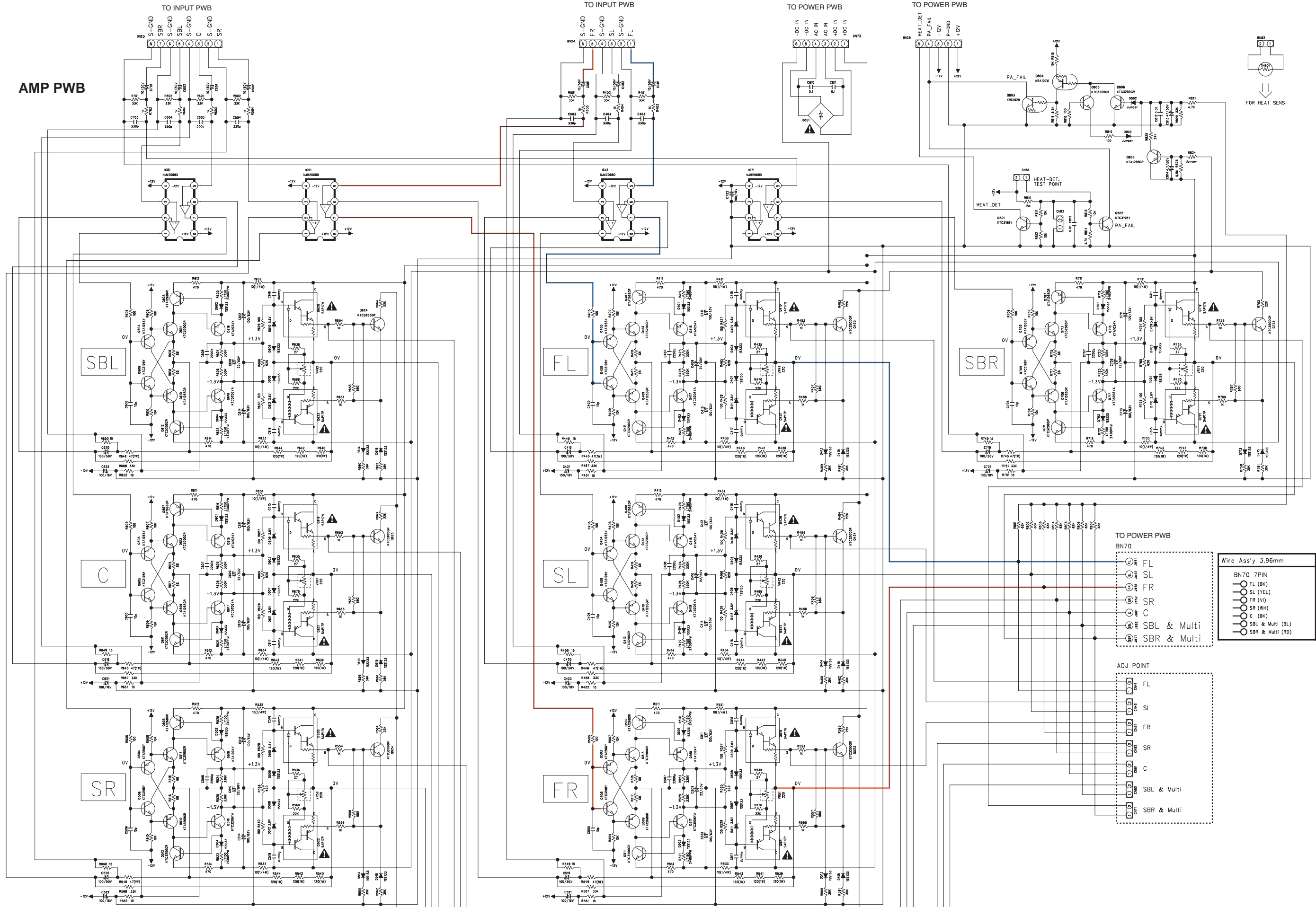
SW1	SW2	OUT PUT
0	X	IN1
1	0	IN2

X = DON'T CARE

VIDEO CONVERTER PWB



AMP PWB



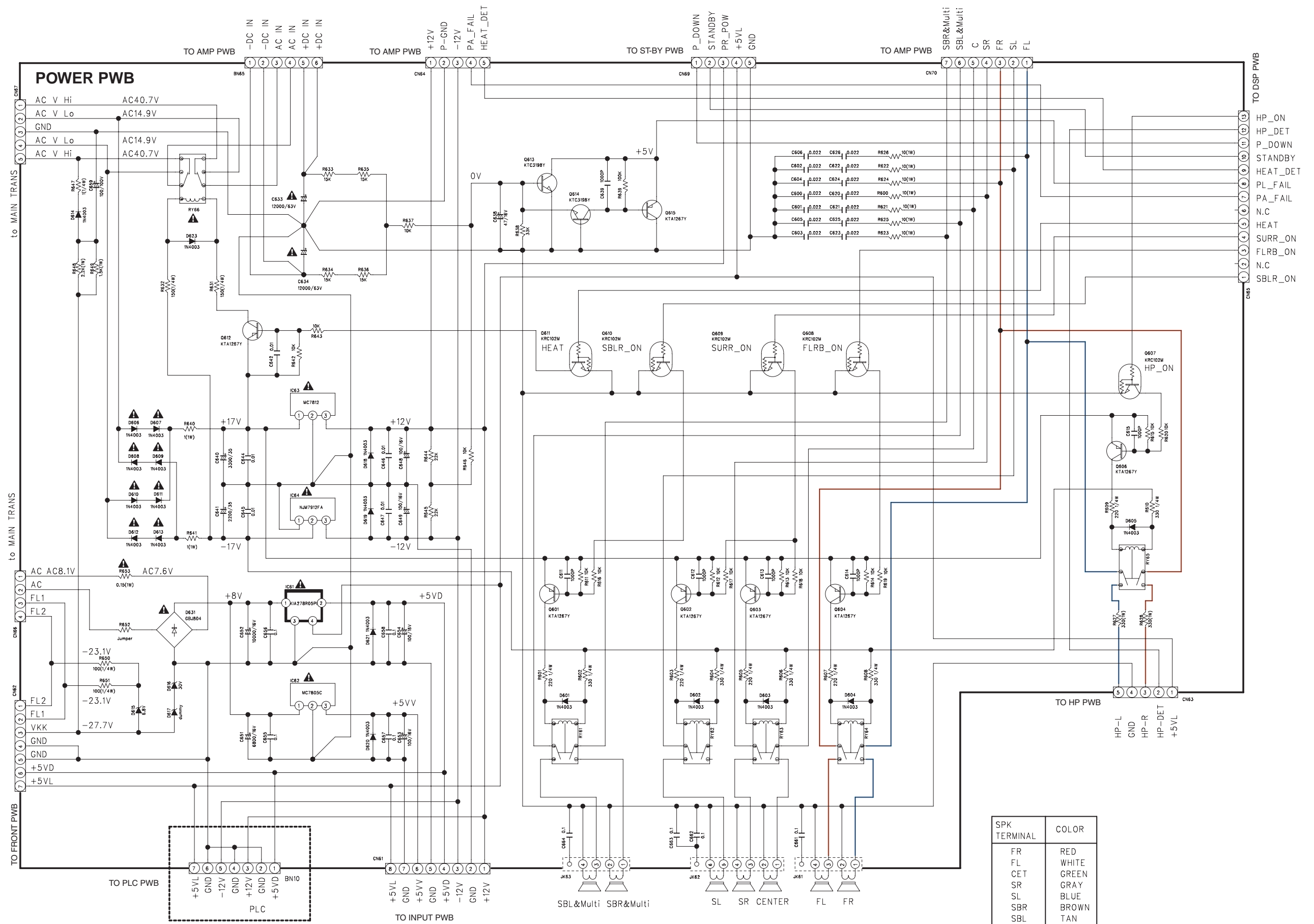
Wire Assy 3.96mm

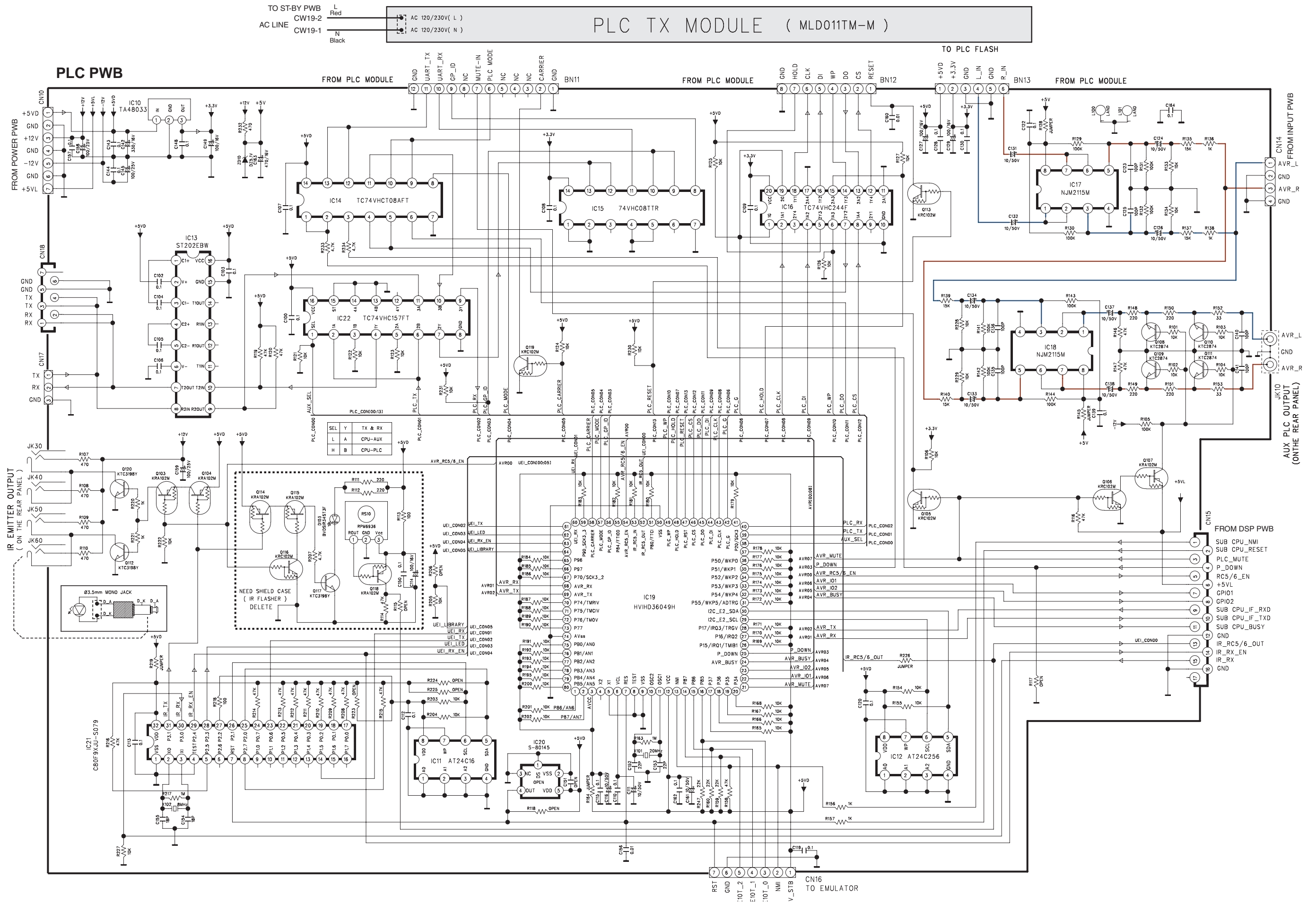
○	BN70 7PIN
○	FL (BK)
○	SL (YEL)
○	FR (V)
○	SR (WH)
○	C (BK)
○	SBL & Multi
○	SBR & Multi (BL)
○	SBR & Multi (RD)

ADJ POINT

○	FL
○	SL
○	FR
○	SR
○	C
○	SBL & Multi
○	SBR & Multi

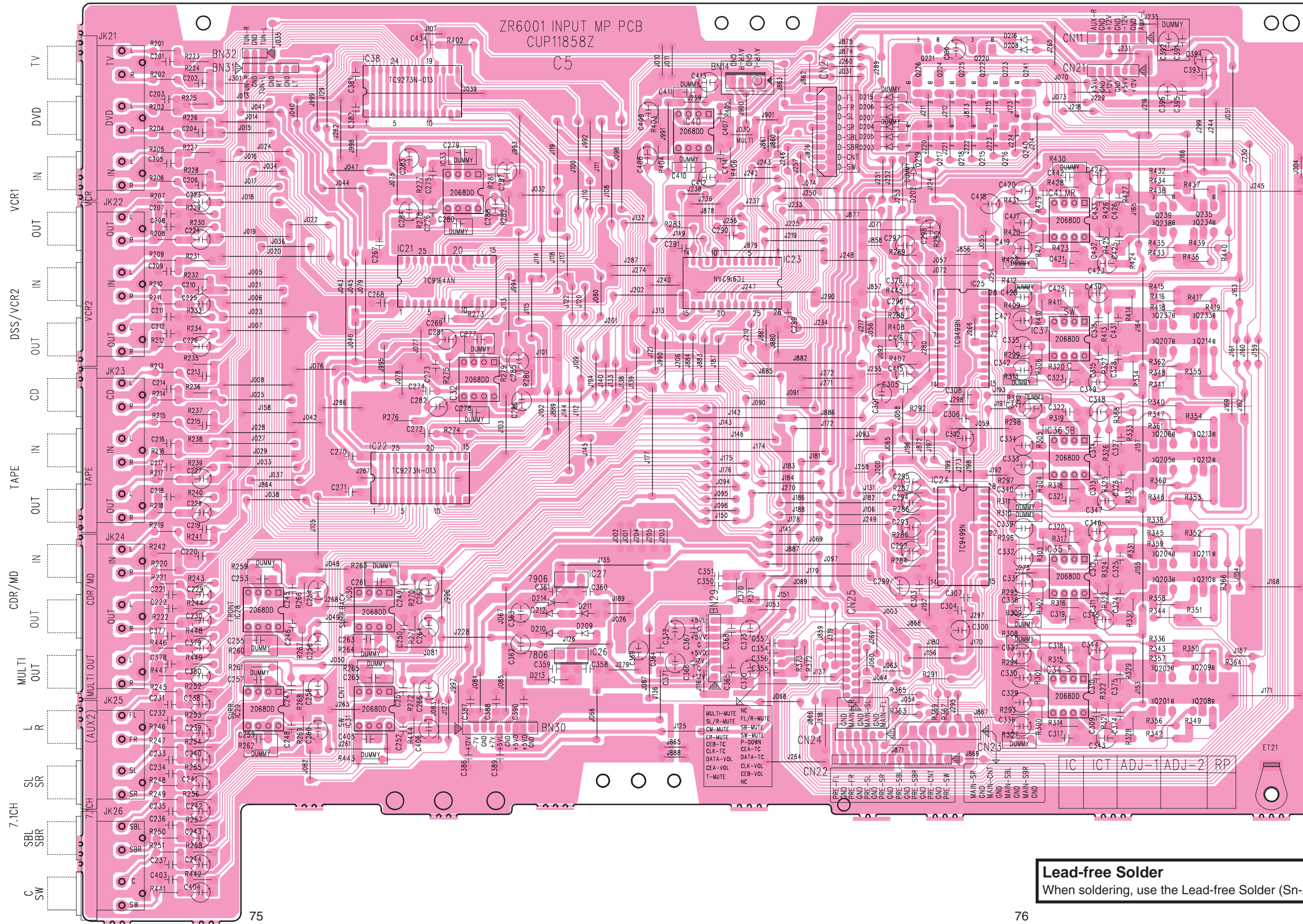
FOR HEAT SENS





10. PARTS LOCATION

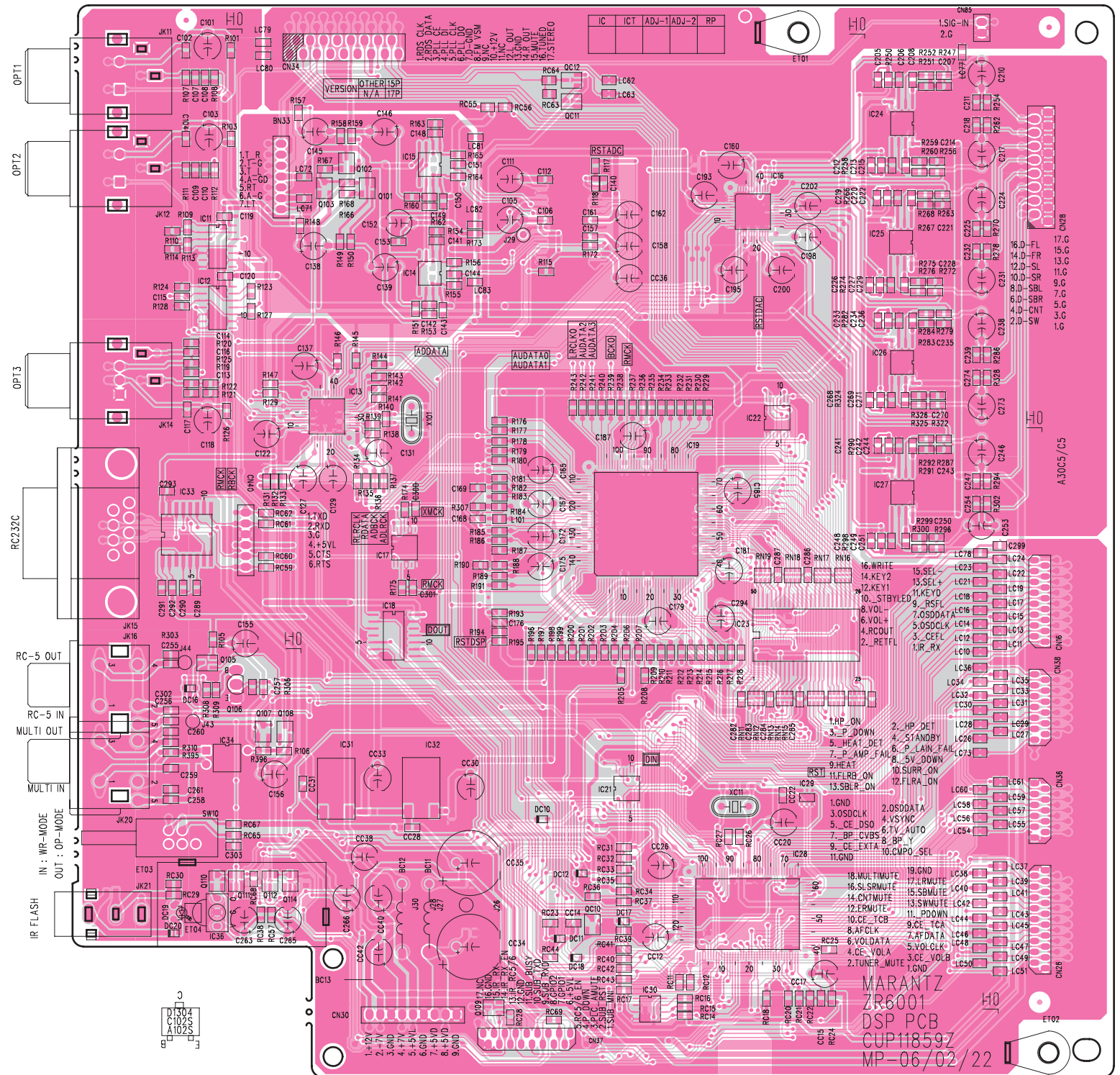
INPUT PWB



Lead-free Solder
When soldering, use the Lead-free Solder (Sn-Ag-Cu).

Q102 IC15 QC12
 Q103 Q101 IC14 QC11
 IC11 IC16 IC24
 IC12 IC25 IC26
 IC13 IC17 IC19 IC22 IC27
 IC33 Q105 IC18 IC21 IC23
 Q106 IC32 Q107 Q108 IC28
 IC34 IC31 IC30
 IC36 Q110-Q112 Q114 Q109 IC30

DSP PWB A



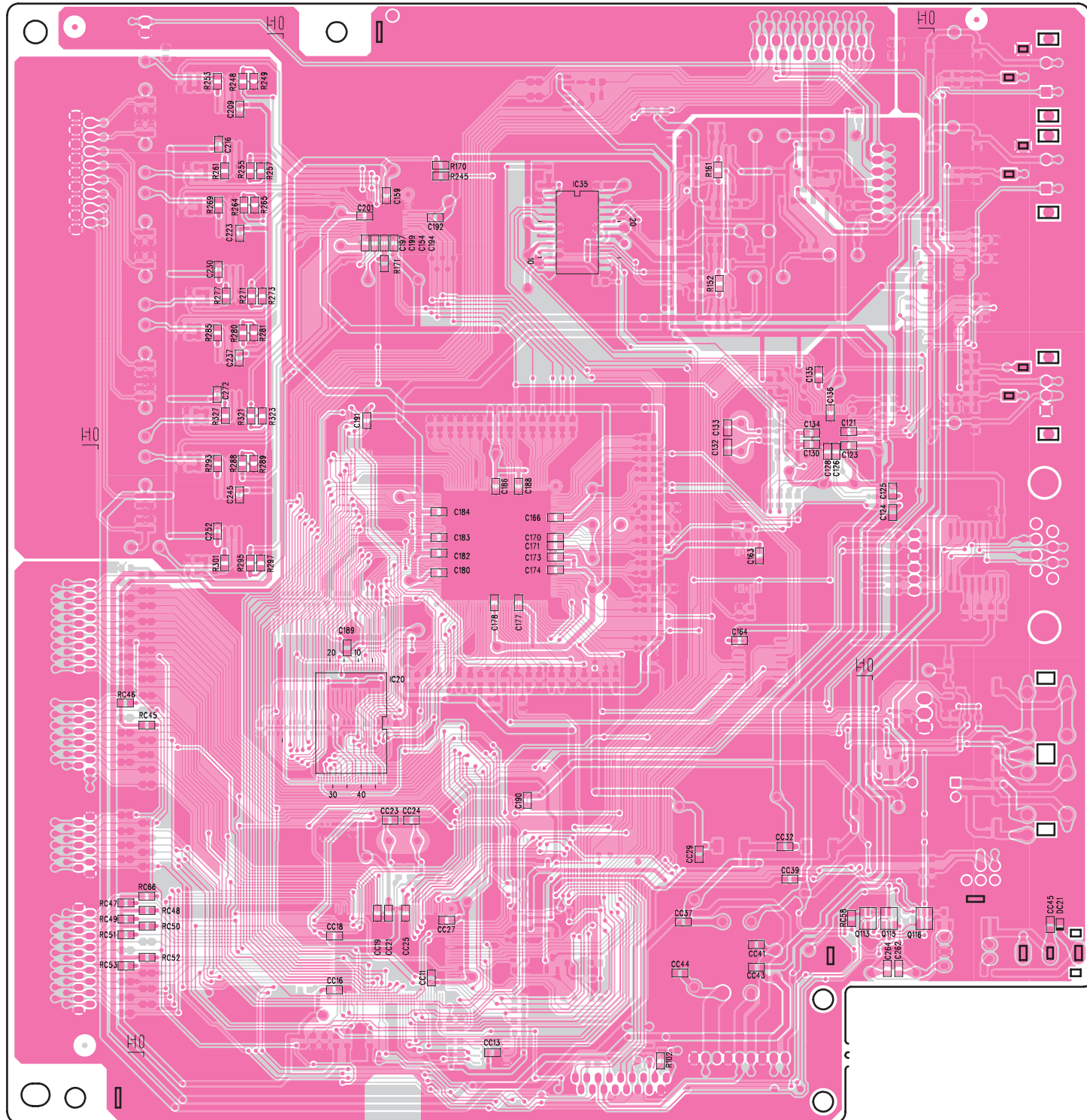
Lead-free Solder
 When soldering, use the Lead-free Solder (Sn-Ag-Cu).

DSP PWB B

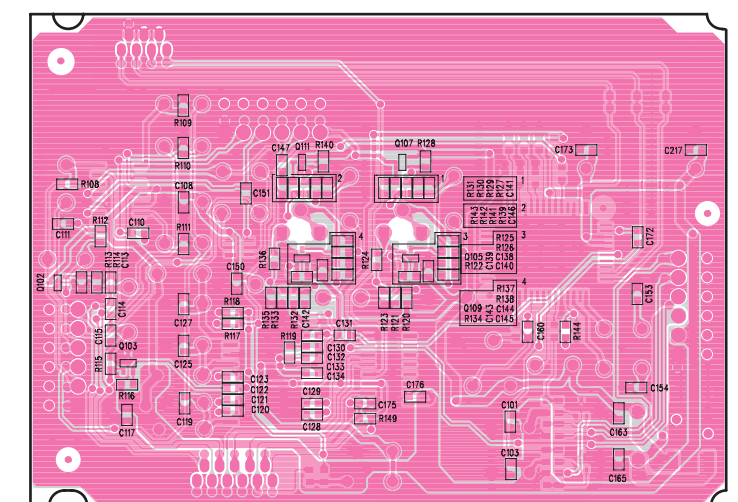
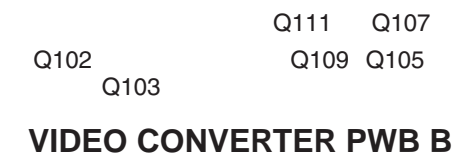
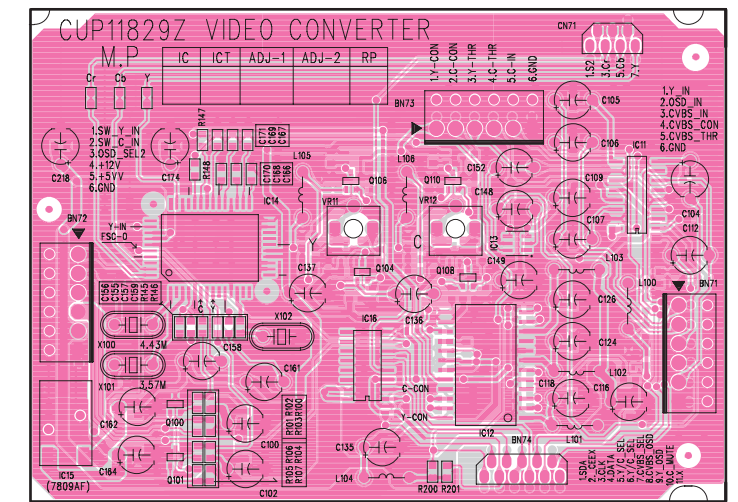
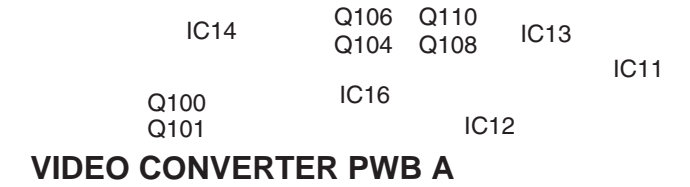
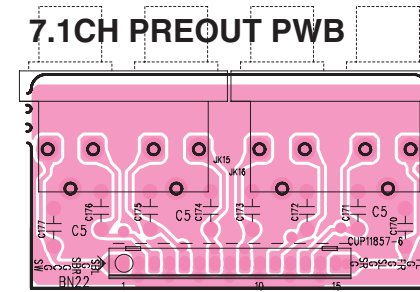
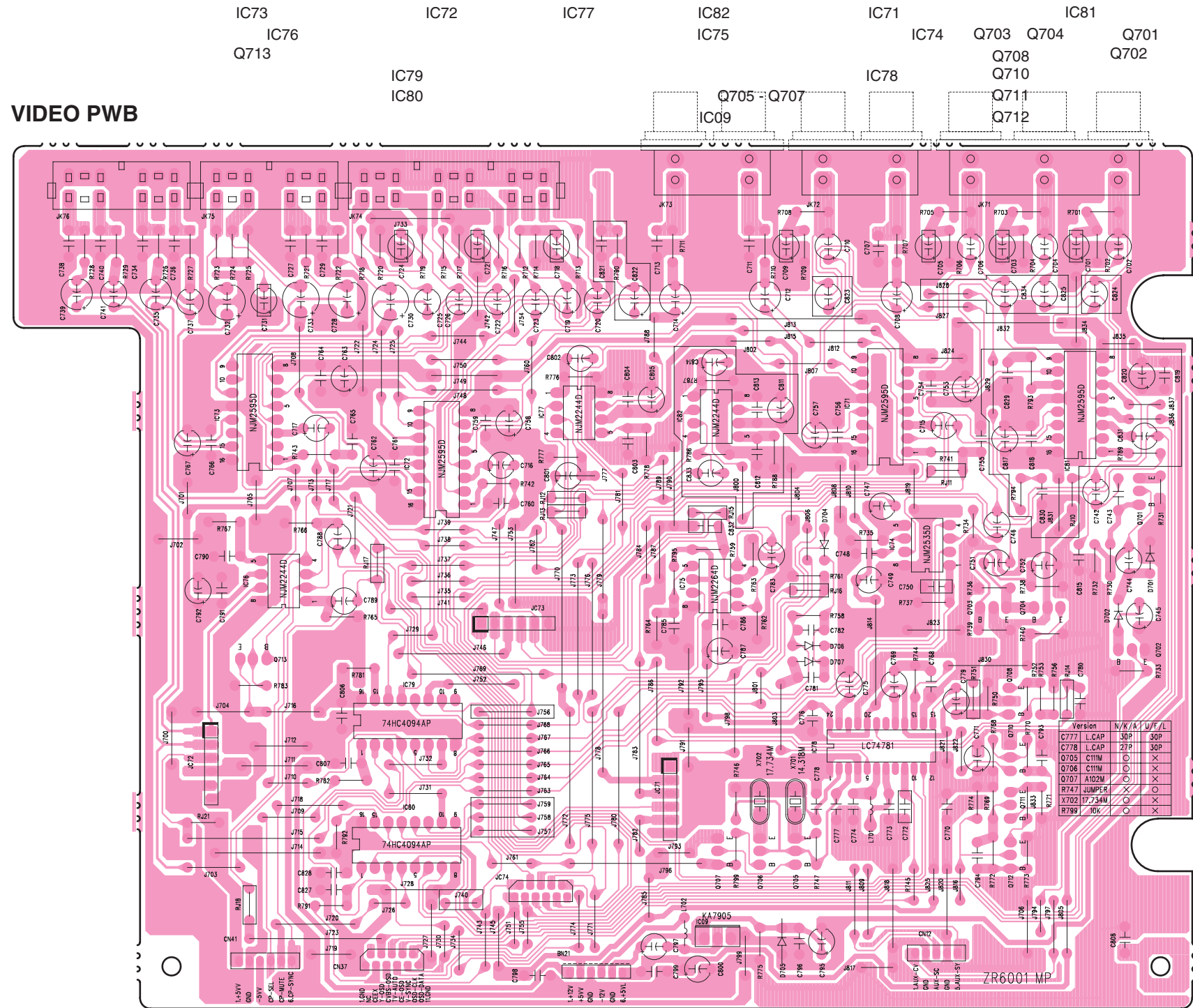
IC20

IC35

Q113 Q115 Q116

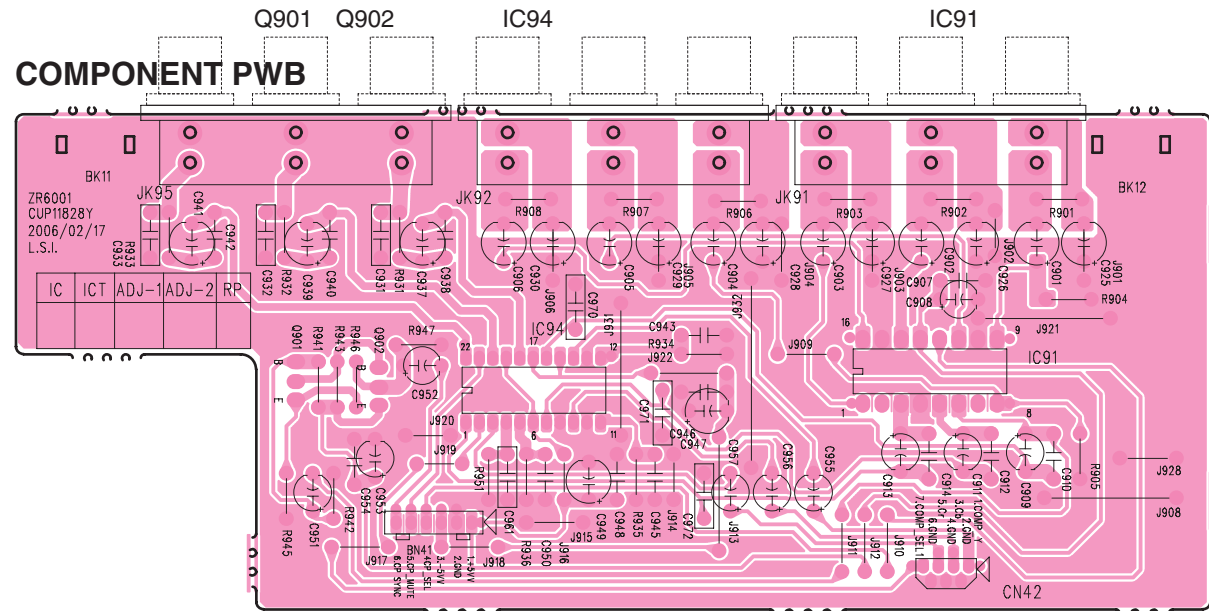


Lead-free Solder
When soldering, use the Lead-free Solder (Sn-Ag-Cu).



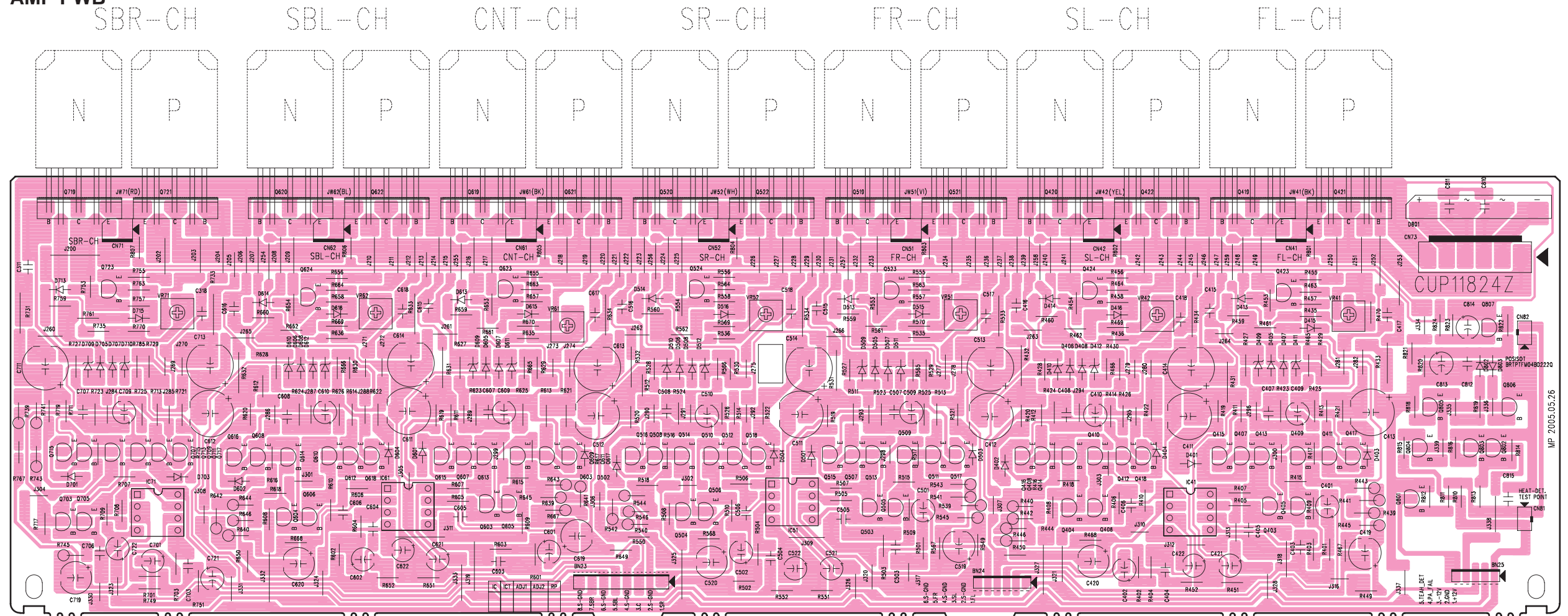
Lead-free Solder
 When soldering, use the Lead-free Solder (Sn-Ag-Cu).

COMPONENT PWB



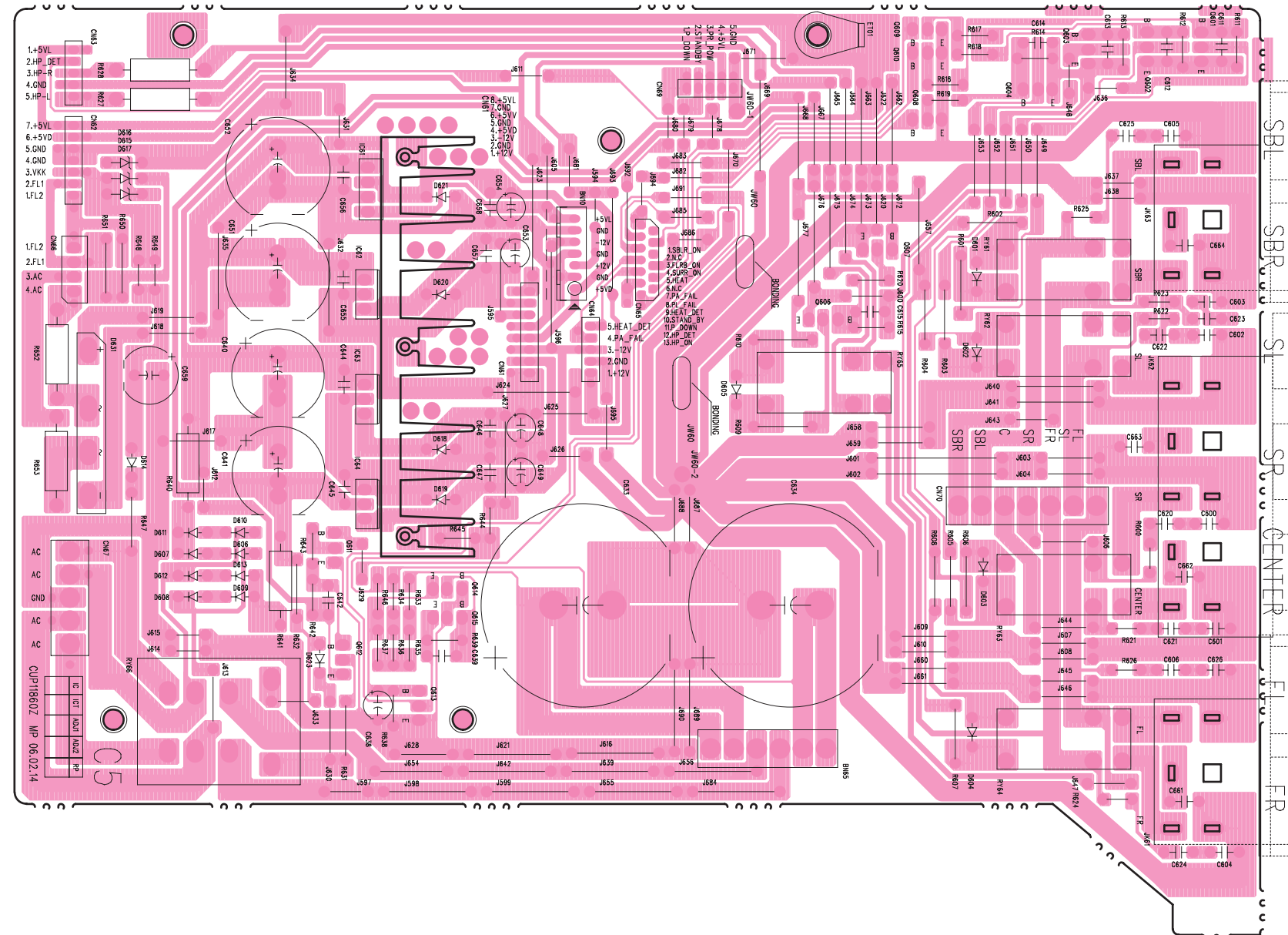
- | | | | | | | | | | | | | | | | | | | | | | | | | |
|------|------|------|------|------|------|------|------|------|------|------|------|------|------|------|------|------|------|------|------|------|------|------|------|------|
| Q719 | Q721 | Q620 | Q622 | Q619 | Q621 | Q520 | Q522 | Q519 | Q521 | Q420 | Q422 | Q419 | Q421 | | | | | | | | | | | |
| Q723 | | Q624 | | Q623 | | Q524 | | Q523 | | Q424 | | Q423 | | Q807 | | | | | | | | | | |
| Q707 | Q709 | Q717 | Q614 | Q612 | Q607 | Q609 | Q617 | Q508 | Q510 | Q518 | Q507 | Q509 | Q517 | Q408 | Q410 | Q418 | Q407 | Q409 | Q417 | Q805 | Q806 | | | |
| Q715 | Q713 | Q711 | Q616 | Q608 | Q610 | Q618 | Q615 | Q613 | Q611 | Q516 | Q514 | Q512 | Q515 | Q513 | Q511 | Q416 | Q414 | Q412 | Q415 | Q413 | Q411 | Q804 | Q803 | Q802 |
| Q703 | Q705 | IC71 | Q604 | Q606 | IC61 | Q603 | Q605 | Q504 | Q506 | IC51 | Q503 | Q505 | Q404 | Q406 | IC41 | Q403 | Q405 | | | | | Q801 | | |

AMP PWB



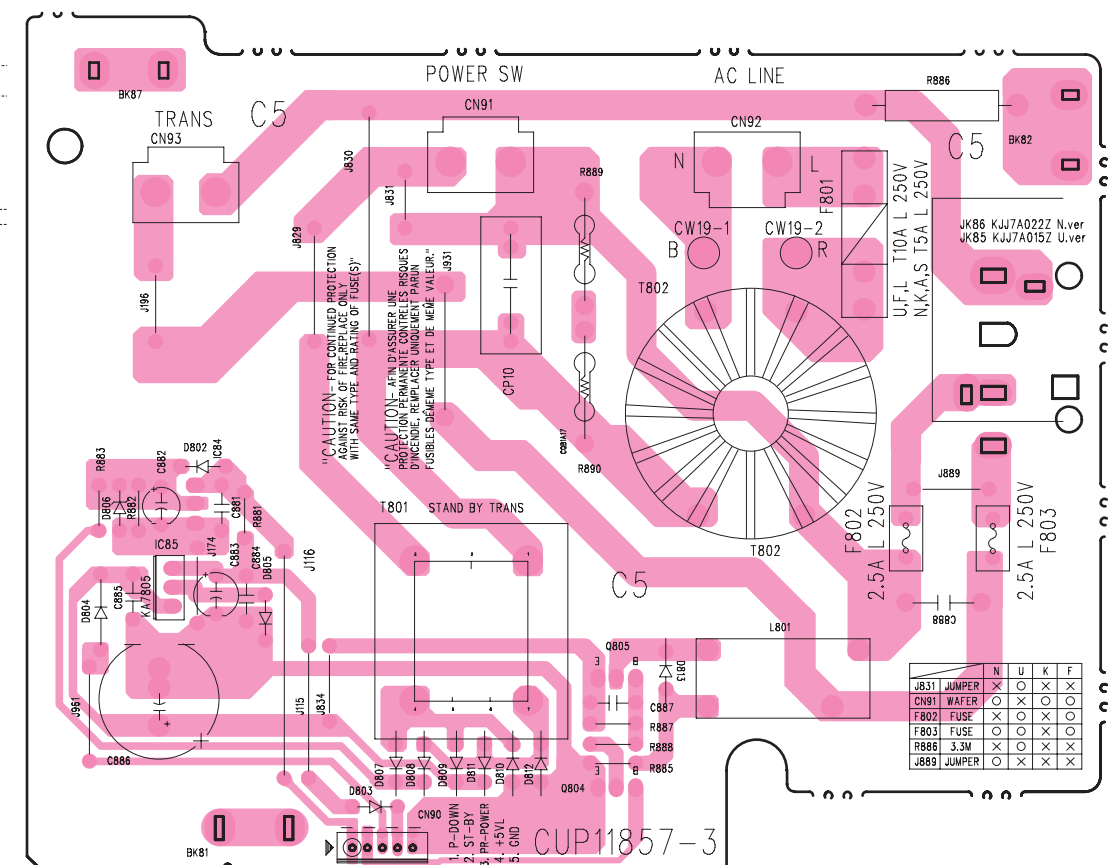
Lead-free Solder
When soldering, use the Lead-free Solder (Sn-Ag-Cu).

POWER PWB



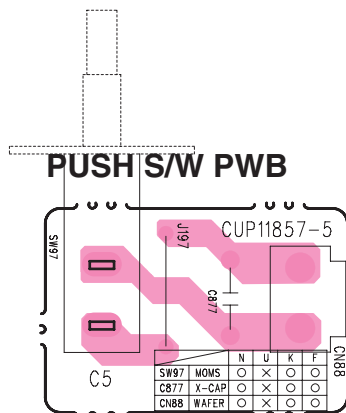
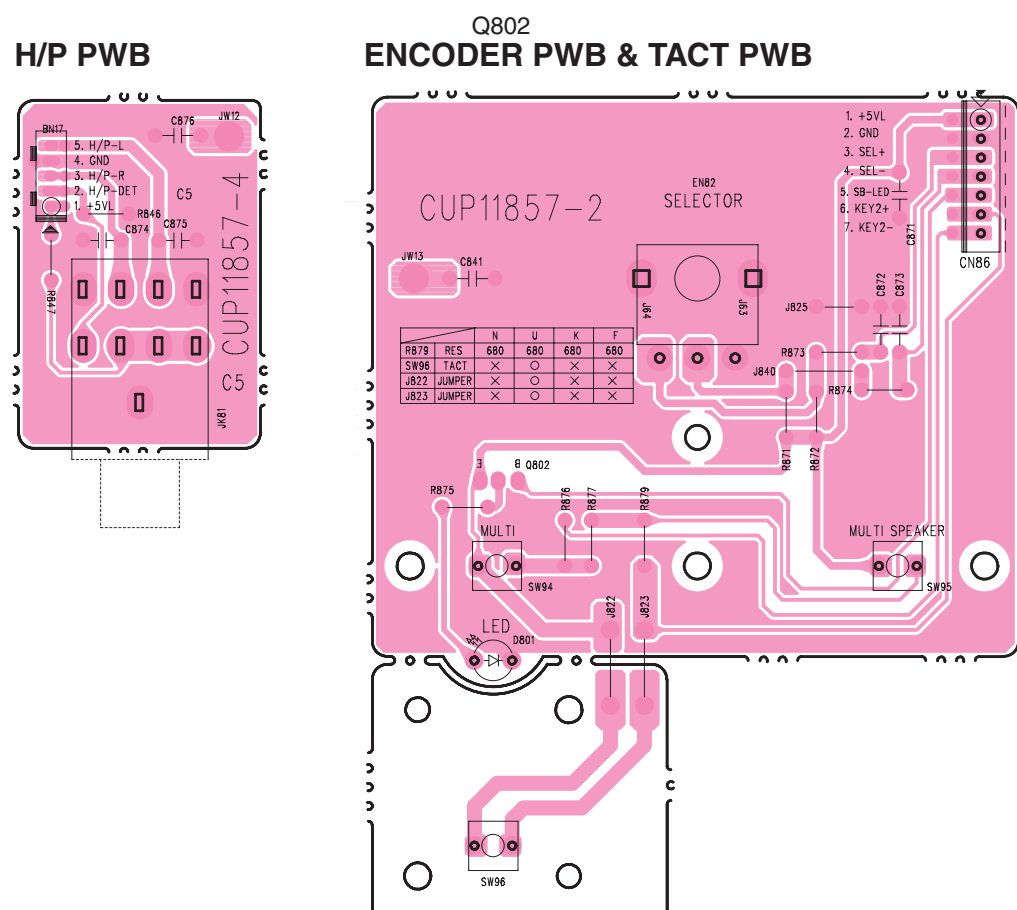
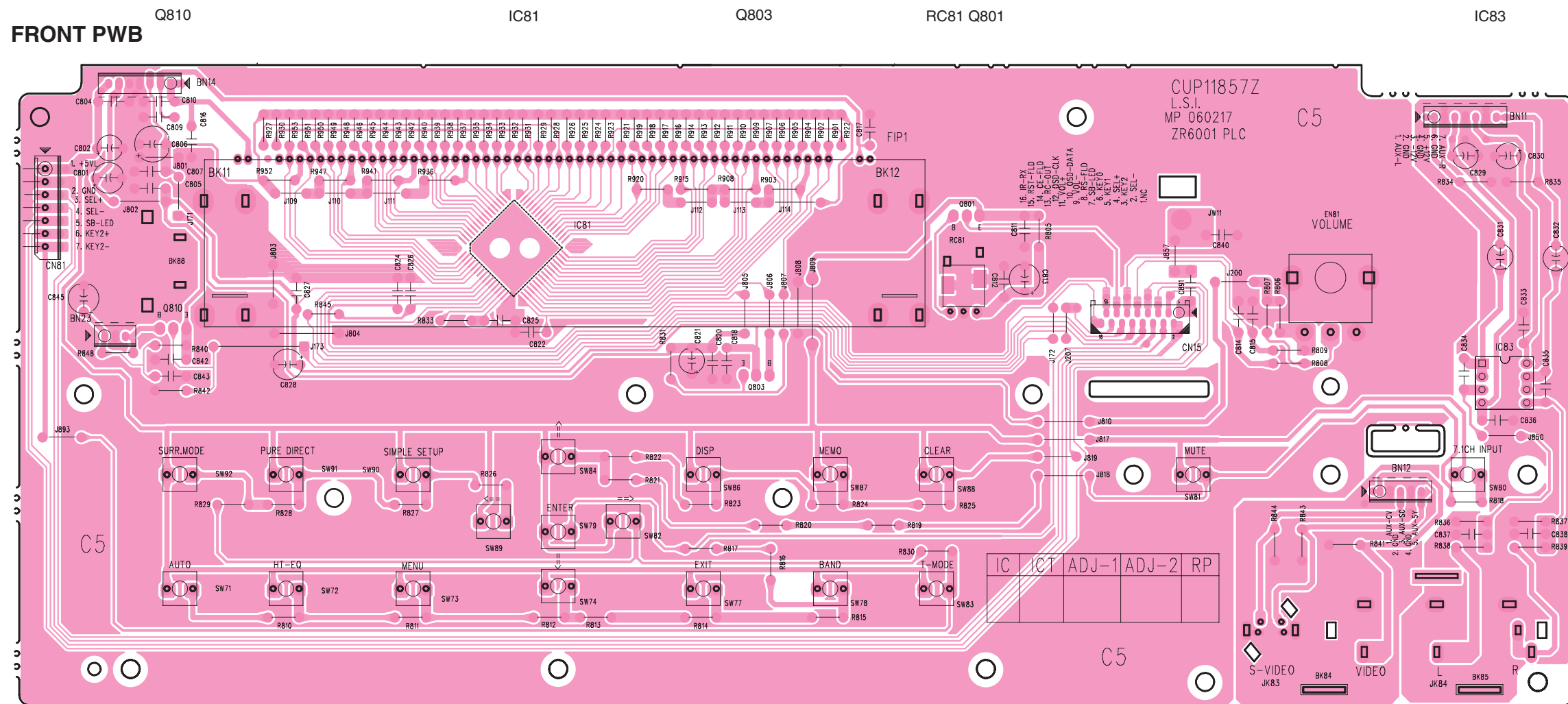
Lead-free Solder
When soldering, use the Lead-free Solder (Sn-Ag-Cu).

ST-BY PWB



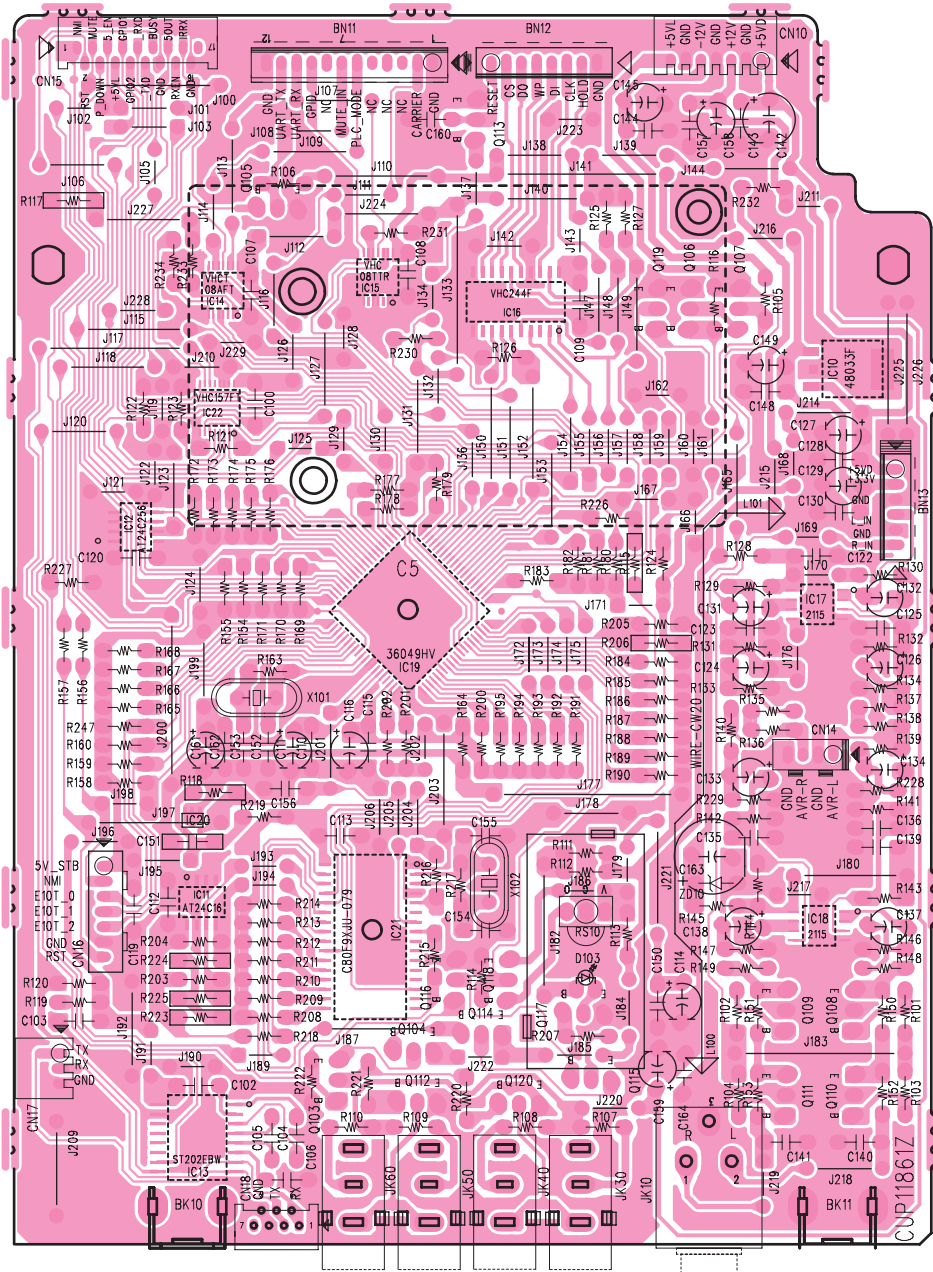
IC61
IC62
IC63
IC64
Q611 Q614
Q612 Q613 Q615
Q609
Q610
Q608
Q604
Q607
Q606
Q603 Q602 Q601

IC84
IC85
Q805
Q804



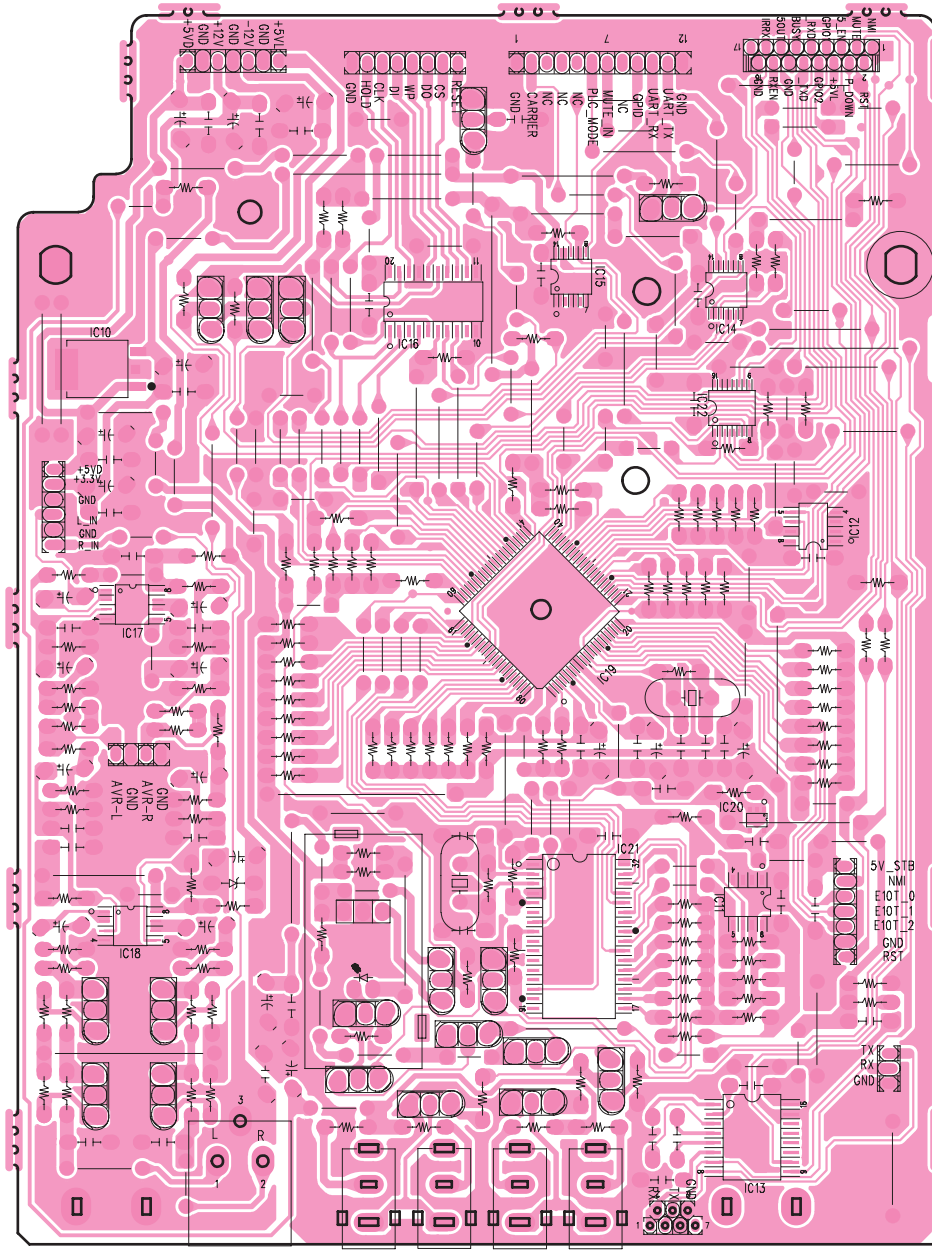
Q113
 Q116 Q118 Q119 Q106 Q107
 Q104 Q114 Q117 Q109 Q108
 Q103 Q112 Q120 Q115 Q111 Q110

PLC PWB A



IC10 IC16 IC15 IC14
 IC17 IC19 IC22 IC12
 IC18 IC21 IC11 IC20
 IC13

PLC PWB B

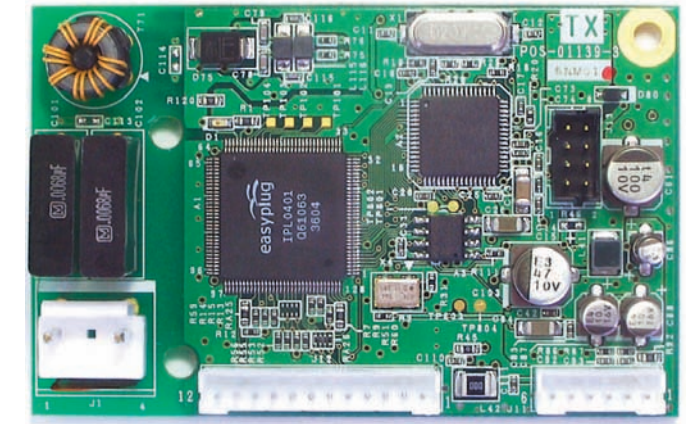


About this PWB (MODULE) repair:

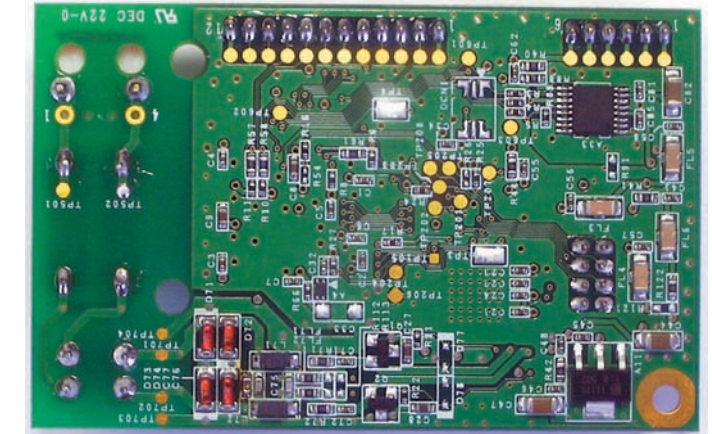
There are no component parts for repair.

Please replace this PWB ASSY (PLC MODULE) with the new one.

PLC MODULE A



PLC MODULE B



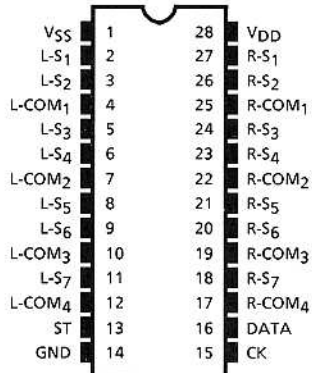
Lead-free Solder
When soldering, use the Lead-free Solder (Sn-Ag-Cu).

11. IC DATA

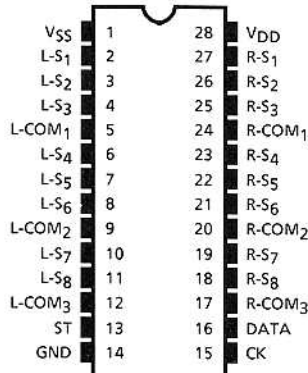
IC21 : TC9162,3,4

PIN CONNECTION (TOP VIEW)

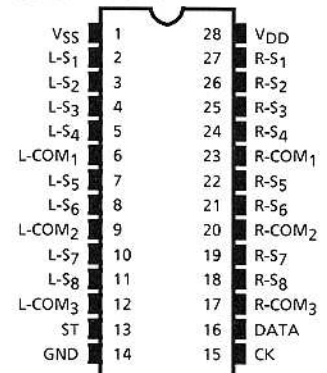
TC9162AN / AF



TC9163AN / AF

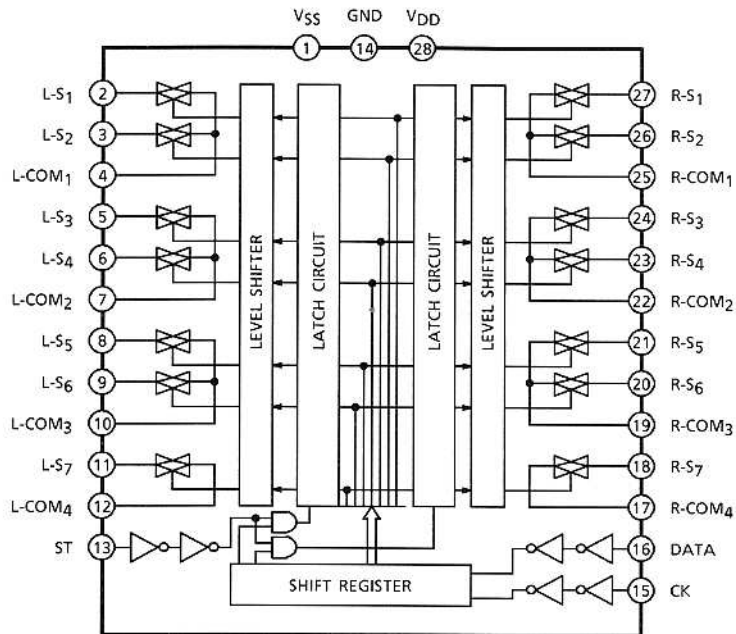


TC9164AN / AF

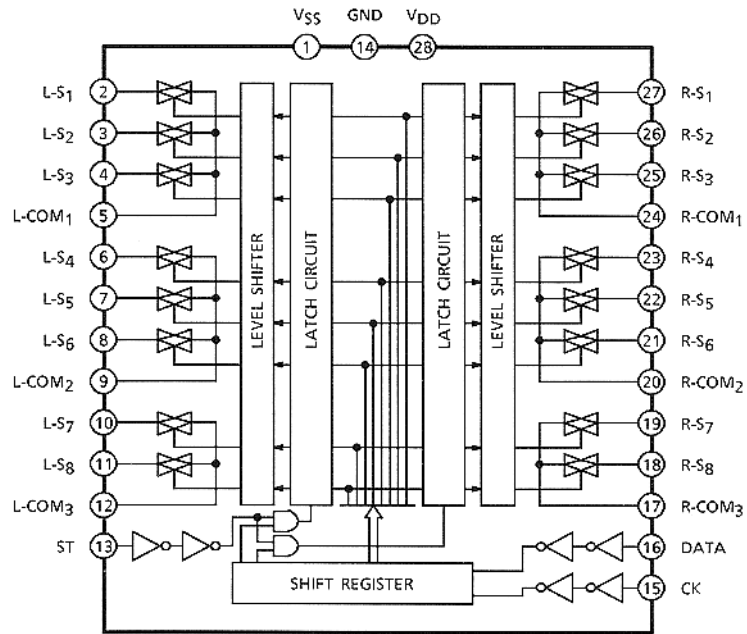


BLOCK DIAGRAM

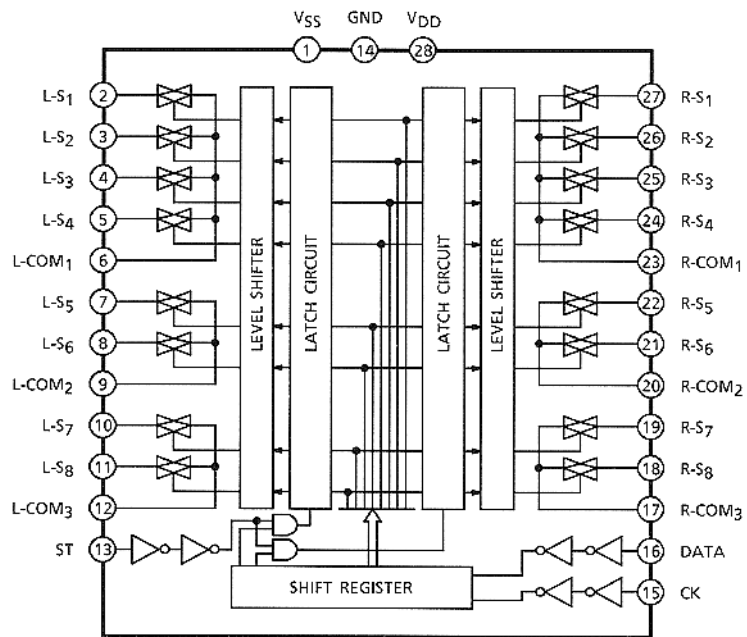
TC9162AN / AF



TC9163AN / AF



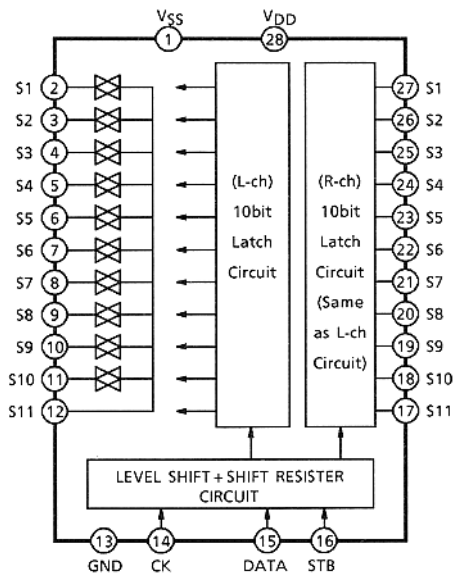
TC9164AN / AF



IC22 : TC9273

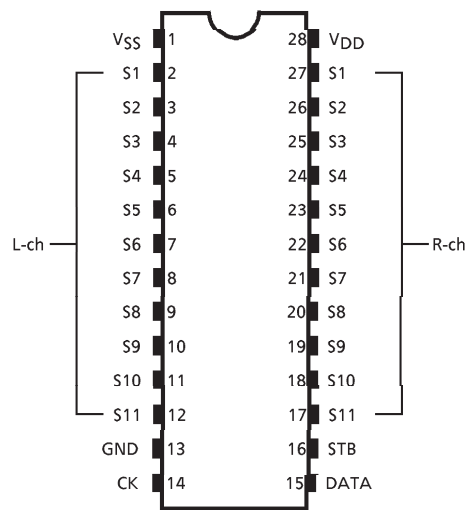
BLOCK DIAGRAM

TC9273N, TC9273F



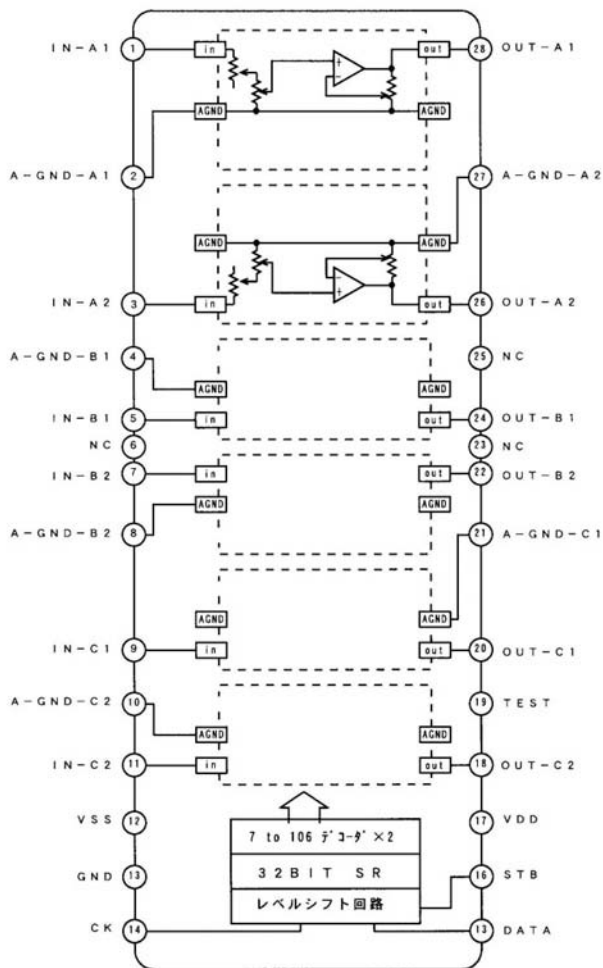
PIN CONNECTION (TOP VIEW)

TC9273N, TC9273F

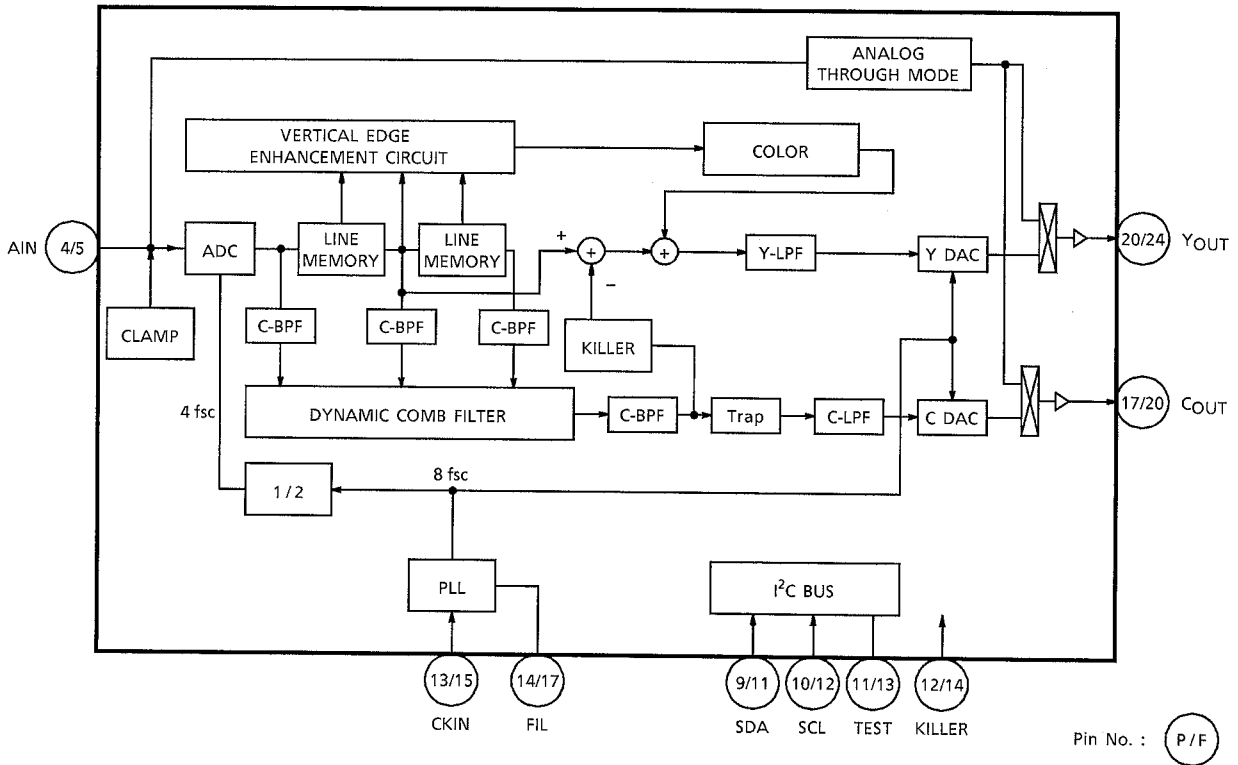


IC24 : TC9499

○ TC9499N/F

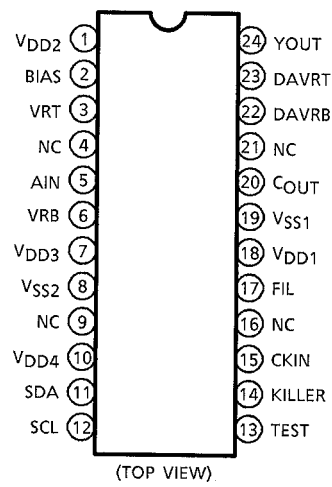
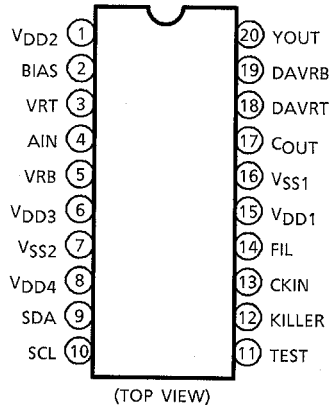


IC12 : TC90A49F

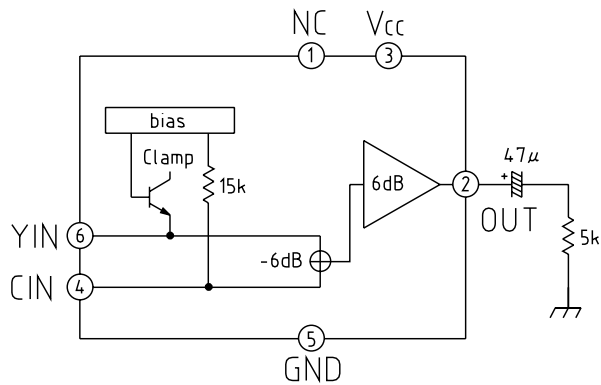


TC90A49P

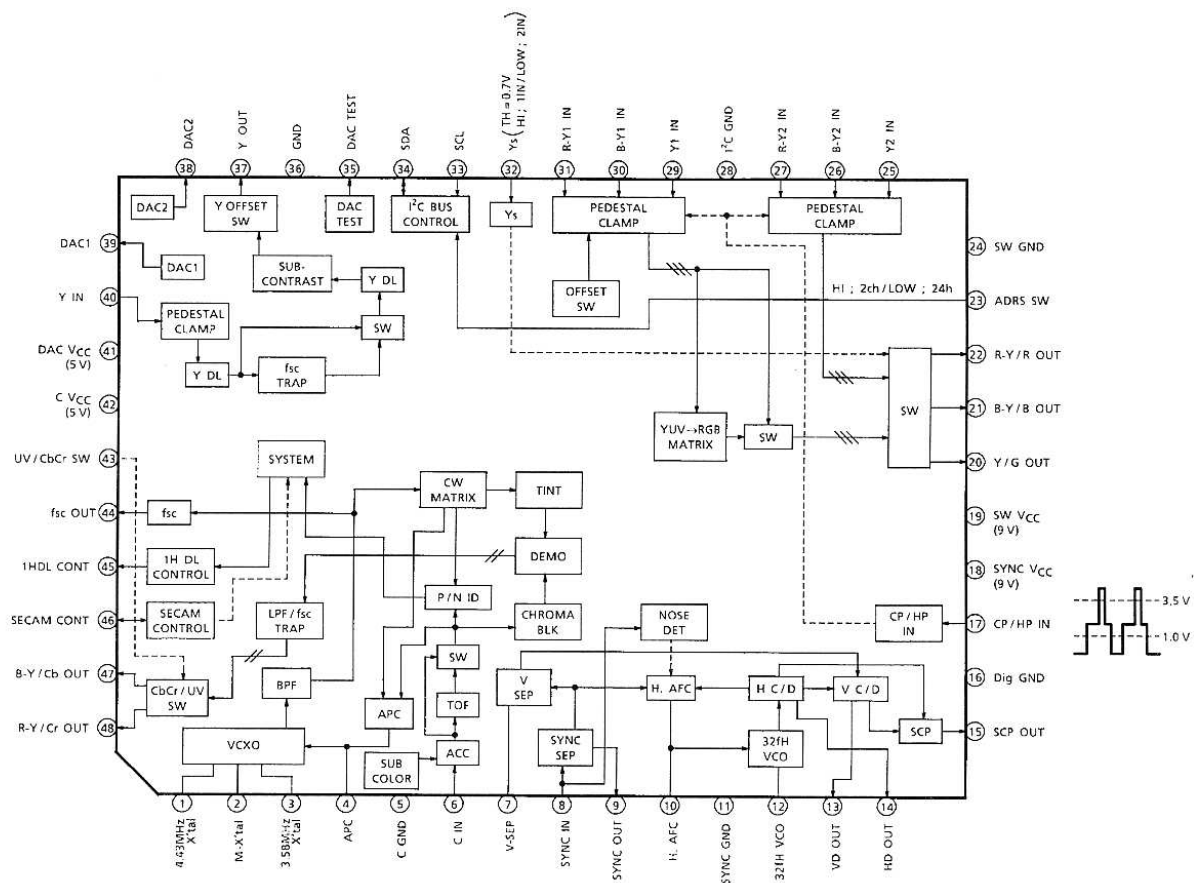
TC90A49F

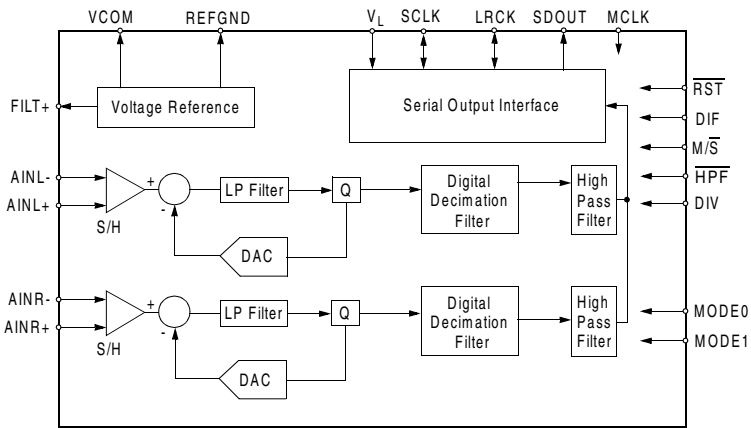
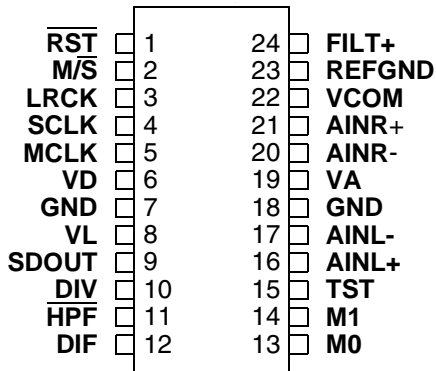


IC13 : MM1511



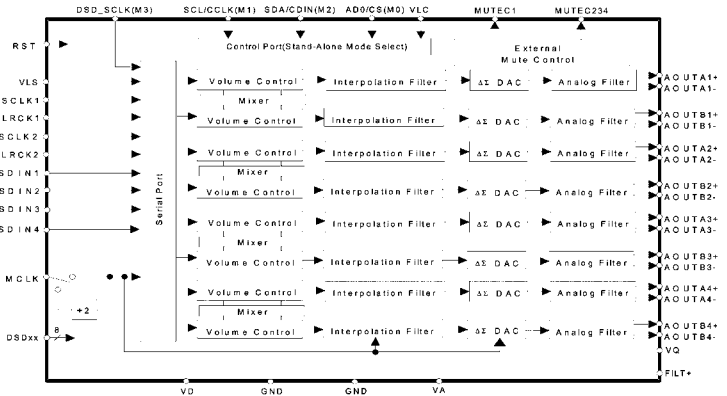
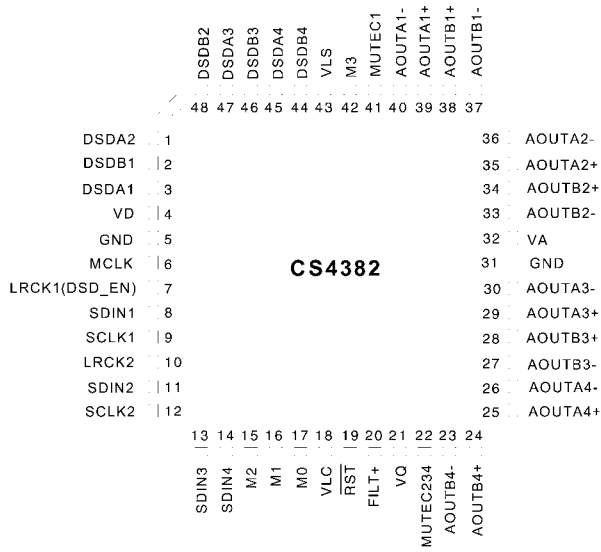
IC14 : TA1270BF





Pin Name	I/O	#	Pin Description
RST	I	1	Reset (Input) - The device enters a low power mode when low.
M/S	I	2	Master/Slave Mode (Input) -In Slave mode, LRCK and SCLK become input. (FIXED LOW)
LRCK	I	3	Left Right Clock (Input) - Determines which channel, Left or Right, is currently active on the serial audio data line. The frequency of the left/right clock must be at the audio sample rate, Fs.
SCLK	I	4	Serial Clock (Input) - Serial clock for the serial audio interface.
MCLK	I	5	Master Clock (Input) - Clock source for the delta-sigma modulator and digital filters. Table 1 illustrates several standard audio sample rates and the required master clock frequency.
VD	I	6	Digital Power (Input) - Positive power supply for the digital section. Refer to the Recommended Operating Conditions for appropriate voltages.
GND	I	7,18	Ground (Input) - Ground reference. Must be connected to analog ground.
VL	I	8	Logic Power (Input) - Determines the required signal level for the digital input/output. Refer to the Recommended Operating Conditions for appropriate voltages.
SDOUT	O	9	Serial Audio Data Output (Output) - Output for two's complement serial audio data.
DIV	I	10	MCLK Divider (Input) - (FIXED LOW)
HPF	I	11	High Pass Filter Enable (Input) - The device includes a high pass filter after the decimator to remove the indeterminate DC offsets introduced by the analog buffer stage and the analog modulator. The first-order high pass filter response characteristics are detailed in the Digital Filter specifications table. The filter response scales linearly with sample rate.
DIF	I	12	Digital Interface Format (Input) - The required relationship between the Left/Right clock, serial clock and serial data is defined by the Digital Interface Format selection. Refer to Figures 8 and 9.
M0	I	13,	Mode Selection (Input) - (FIXED LOW)
M1	I	14	(FIXED LOW)
TST	I	15	Test Pin (Input) - This pin needs to be connected to GND.
AINL+	I	16,	Differential Left Channel Analog Input (Input) - Signals are presented differentially to the delta-sigma modulators via the AINL+/- pins. The full scale differential analog input level is specified in the Analog Characteristics Specification table.
AINL-	I	17	
VA	I	19	Analog Power (Input) - Positive power supply for the analog section. Refer to the Recommended Operating Conditions for appropriate voltages.
AINR+	I	20,	Differential Right Channel Analog Input (Input) -Signals are presented differentially to the delta-sigma modulators via the AINR+/- pins. The full scale differential analog input level is specified in the Analog Characteristics Specification table.
AINR-	I	21	
VCOM	O	22	Common Mode Voltage (Output) - Nominally 2.5 volts; can be used to bias the analog input circuitry to the common mode voltage of the CS5361. VCOM is not buffered and the maximum current is 10 uA.
REF_GND	I	23	Reference Ground (Input) - Ground reference for the internal sampling circuits and must be connected to analog ground.
FILT+	O	24	Positive Voltage Reference (Output) - Positive reference voltage for the internal sampling circuits. Requires the capacitive decoupling to GND as shown in the Typical Connection Diagram.

IC16 : CS4382



Pin Name	I/O #	Description
VD	4	Digital Power (Input) - Positive power supply for the digital section. Refer to the Recommended Operating Conditions for appropriate voltages.
GND	5 31	Ground (Input) - Ground reference. Should be connected to analog ground.
MCLK	6	Master Clock (Input) - Clock source for the delta-sigma modulator and digital filters. Table 5 illustrates several standard audio sample rates and the required master clock frequency.
LRCK1	7	Left Right Clock (Input) - Determines which channel, Left or Right, is currently active on the serial audio data line. The frequency of the left/right clock must be at the audio sample rate, Fs.
LRCK2	10	
SDIN1	8	Serial Audio Data Input (Input) - Input for two's complement serial audio data.
SDIN2	11	
SDIN3	13	
SDIN4	14	
SCLK1	9	Serial Clock (Input) - Serial clock for the serial audio interface.
SCLK2	12	
VLC	18	Control Port Power (Input) - Determines the required signal level for the control port. Refer to the Recommended Operating Conditions for appropriate voltages.
RST	19	Reset (Input) - The device enters a low power mode and all internal registers are reset to their default settings when low.
FILT+	20	Positive Voltage Reference (Output) - Positive reference voltage for the internal sampling circuits. Requires the capacitive decoupling to analog ground, as shown in the Typical Connection Diagram.
VQ	21	Quiescent Voltage (Output) - Filter connection for internal quiescent voltage. VQ must be capacitively coupled to analog ground, as shown in the Typical Connection Diagram. The nominal voltage level is specified in the Analog Characteristics and Specifications section. VQ presents an appreciable source impedance and any current drawn from this pin will alter device performance. However, VQ can be used to bias the analog circuitry assuming there is no AC signal component and the DC current is less than the maximum specified in the Analog Characteristics and Specifications section.

IC16 : CS4382

Pin Name	I/O	#	
MUTE _{C1}	O	41	Mute Control (Output) - The Mute Control pins go high during power-up initialization, reset, muting, power-down or if the master clock to left/right clock frequency ratio is incorrect. These pins are intended to be used as a control for external mute circuits to prevent the clicks and pops that can occur in any single supply system. The use of external mute circuits are not mandatory but may be desired for designs requiring the absolute minimum in extraneous clicks and pops.
MUTE _{C234}	O	22	
AOUT _{A1} +,-	O	39, 40	Differential Analog Output (Output) - The full scale differential analog output level is specified in the Analog Characteristics specification table.
AOUT _{B1} +,-	O	38, 37	
AOUT _{A2} +,-	O	35, 36	
AOUT _{B2} +,-	O	34, 33	
AOUT _{A3} +,-	O	29, 30	
AOUT _{B3} +,-	O	28, 27	
AOUT _{A4} +,-	O	25, 26	
AOUT _{B4} +,-	O	24, 23	
VA	I	32	Analog Power (Input) - Positive power supply for the analog section. Refer to the Recommended Operating Conditions for appropriate voltages.
VLS	I	43	Serial Audio Interface Power (Input) - Determines the required signal level for the serial audio interface. Refer to the Recommended Operating Conditions for appropriate voltages.

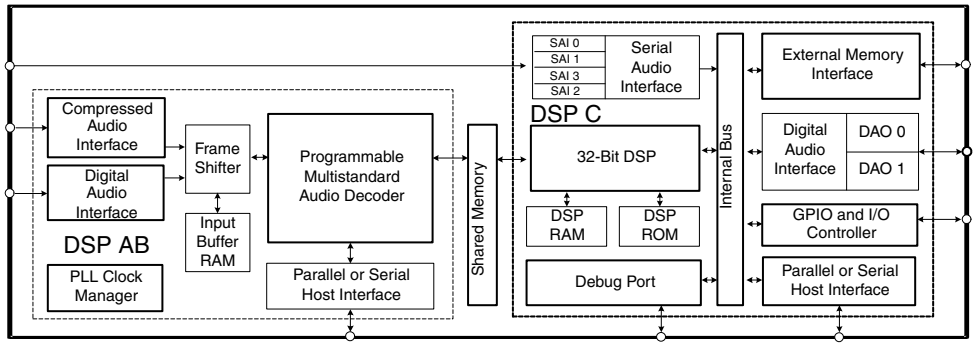
Stand-Alone Definitions

M0	17	Mode Selection (Input) - Determines the operational mode of the device as detailed in Tables 6 and 7.
M1	16	FIXED GND
M2	15	FIXED GND
M3	42	

DSD Definitions

DSDA1	3	FIXED GND
DSDB1	2	FIXED GND
DSDA2	1	FIXED GND
DSDB2	48	FIXED GND
DSDA3	47	FIXED GND
DSDB3	46	FIXED GND
DSDA4	45	FIXED GND
DSDB4	44	FIXED GND

IC19 : CS49403



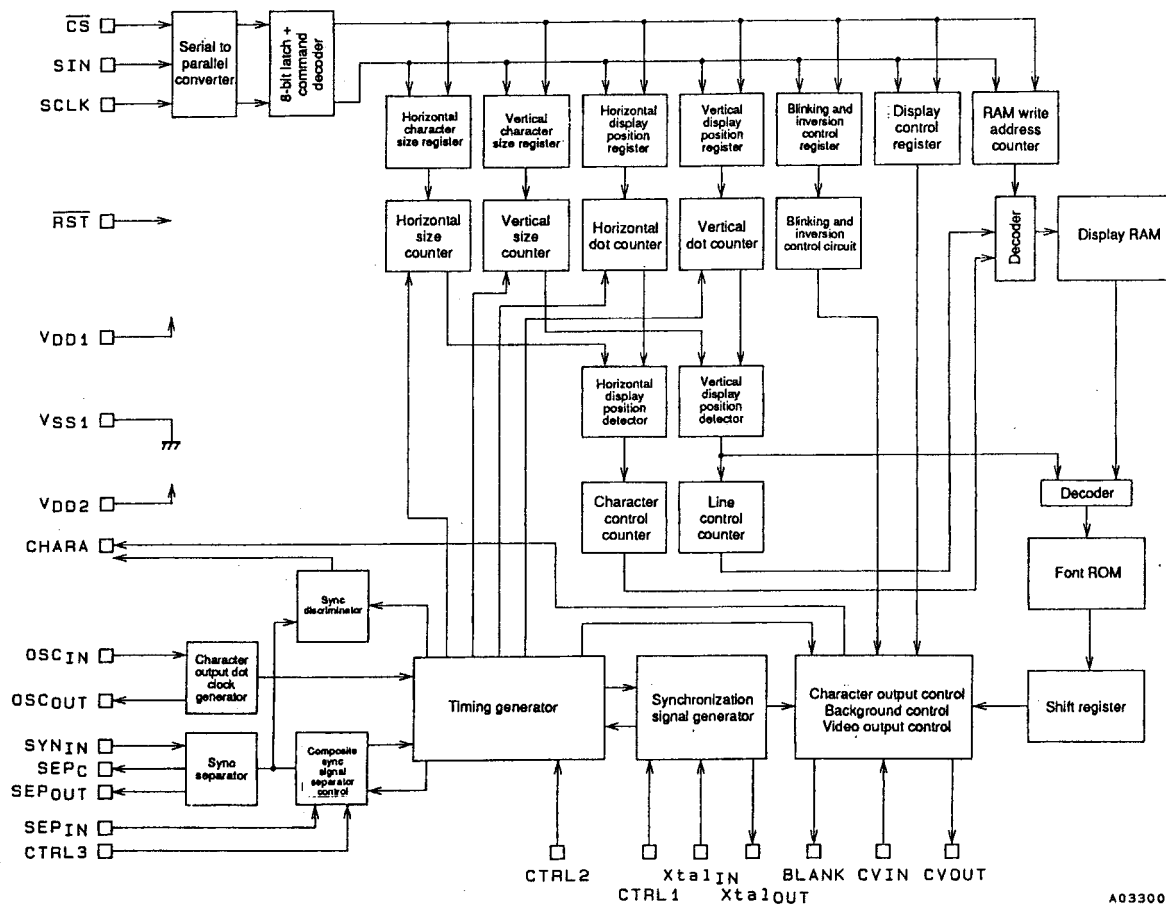
Pin No.	I/O	Function	Description
1	I/O	UHS0, GPIO18	Mode Select Bit 0, General Purpose I/O
2	I/O	UHS1, GPIO19	Mode Select Bit 1, General Purpose I/O
3	I	INTREQ	Control Port Interrupt Request
4	I	FA1, FSCDIN	Host Address Bit One or SPI Serial Control Data Input
5	I/O	GPIO20	General Purpose I/O
6	I	FA0, FSCCLK	Host Parallel Address Bit Zero or Serial Control Port Clock
7	I/O	FHS2, FSCDIO, FSCDOUT	Mode Select Bit 2 or Serial Control Port Data Input and Output, Parallel Port Type Select
8	I/O	GPIO21	General Purpose I/O
9	I	FDAT7	DSP AB Bidirectional Data Bus
10	V	VDD6	2.5V Supply Voltage
11	V	VSS6	2.5V Ground
12	I/O	FHS0, FWR, FDS	Mode Select Bit 0 or Host Write Strobe or Host Data Strobe
13	O	FHS1, FRD, FRW	Mode Select Bit 1 or Host Parallel Output Enable or Host Parallel R/W
14	I	FDAT6	DSP AB Bidirectional Data Bus
15	I	FCS	Host Parallel Chip Select, Host Serial SPI Chip Select
16	O	FINTREQ	Control Port Interrupt Request
17		FDBCK	Reserved
18	I	FDAT5	DSP AB Bidirectional Data Bus
19	I	FDAT4	DSP AB Bidirectional Data Bus
20	V	VDD7	2.5V Supply Voltage
21	V	VSS7	2.5V Ground
22	I	FDAT3	DSP AB Bidirectional Data Bus
23		FDBDA	Reserved
24	I	FDAT2	DSP AB Bidirectional Data Bus
25		DBDA	Debug Data
26		DBCK	Debug Clock
27	I	FDAT1	DSP AB Bidirectional Data Bus
28		TEST	Reserved
29	I	FDAT0	DSP AB Bidirectional Data Bus
30	I/O	NV_WE, GPIO16	SRAM Write Enable, General Purpose I/O
31	I/O	NV_OE, GPIO15	SRAM Output Enable, General Purpose I/O
32	I/O	NV_CS, GPIO14	SRAM Chip Select, General Purpose I/O
33		SD_WE	SDRAM Write Enable
34	I/O	SD_DATA0, EXTD0	SDRAM Data Bus, SRAM External Data Bus
35	I/O	SD_DATA1, EXTD1	SDRAM Data Bus, SRAM External Data Bus
36	I/O	SD_DATA2, EXTD2	SDRAM Data Bus, SRAM External Data Bus
37	I/O	SD_DATA3, EXTD3	SDRAM Data Bus, SRAM External Data Bus
38	I/O	SD_DATA4, EXTD4	SDRAM Data Bus, SRAM External Data Bus
39		SD_DQM0	SDRAM Data Mask 2
40	I/O	SD_DATA5, EXTD5	SDRAM Data Bus, SRAM External Data Bus
41	V	VSSSD4	3.3V SDRAM/SRAM/EPROM Interface Ground
42	V	VDDSD4	3.3V SDRAM/SRAM/EPROM Interface Supply
43	I/O	SD_DATA6, EXTD6	SDRAM Data Bus, SRAM External Data Bus
44	I/O	SD_DATA7, EXTD7	SDRAM Data Bus, SRAM External Data Bus
45		SD_DQM1	SDRAM Data Mask 1
46	I/O	SD_DATA15, EXTA18	SDRAM Data Bus, SRAM External Address Bus
47	I/O	SD_DATA14, EXTA17	SDRAM Data Bus, SRAM External Address Bus
48		NC5	No Connect
49	I/O	SD_DATA13, EXTA16	SDRAM Data Bus, SRAM External Address Bus
50	V	VSSSD3	3.3V SDRAM/SRAM/EPROM Interface Ground
51	V	VDDSD3	3.3V SDRAM/SRAM/EPROM Interface Supply
52	I/O	SD_DATA12, EXTA15	SDRAM Data Bus, SRAM External Address Bus

53	I/O	SD_DATA11, EXTA14	SDRAM Data Bus, SRAM External Address Bus
54	I/O	SD_DATA10, EXTA13	SDRAM Data Bus, SRAM External Address Bus
55	I/O	SD_DATA9, EXTA12	SDRAM Data Bus, SRAM External Address Bus
56	I/O	SD_DATA8, EXTA11	SDRAM Data Bus, SRAM External Address Bus
57	V	VSSSD2	3.3V SDRAM/SRAM/EPROM Interface Ground
58	V	VDDSD2	3.3V SDRAM/SRAM/EPROM Interface Supply
59	O	SD_CLK_OUT	SDRAM Clock Output
60	I/O	SD_ADDR9, EXTA9	SDRAM Address Bus, SRAM External Address Bus
61	I	SD_CLK_IN	SDRAM Re-timing Clock Input
62	I/O	SD_ADDR8, EXTA8	SDRAM Address Bus, SRAM External Address Bus
63	I/O	SD_ADDR7, EXTA7	SDRAM Address Bus, SRAM External Address Bus
64		SD_CLK_EN	SDRAM Clock Enable
65	I/O	SD_ADDR6, EXTA6	SDRAM Address Bus, SRAM External Address Bus
66	I/O	SD_ADDR5, EXTA5	SDRAM Address Bus, SRAM External Address Bus
67	I/O	SD_ADDR4, EXTA4	SDRAM Address Bus, SRAM External Address Bus
68		SD_CS	SDRAM Chip Select
69	V	VSSSD1	3.3V SDRAM/SRAM/EPROM Interface Ground
70	V	VDDSD1	3.3V SDRAM/SRAM/EPROM Interface Supply
71	I/O	SD_BA, EXTA19	SDRAM Bank Address Select, SRAM External Address Bus
72	I/O	SD_ADDR10, EXTA10	SDRAM Address Bus, SRAM External Address Bus
73	I/O	SD_ADDR0, EXTA0	SDRAM Address Bus, SRAM External Address Bus
74	I/O	SD_ADDR1, EXTA1	SDRAM Address Bus, SRAM External Address Bus
75	I/O	SD_ADDR2, EXTA2	SDRAM Address Bus, SRAM External Address Bus
76	I/O	SD_ADDR3, EXTA3	SDRAM Address Bus, SRAM External Address Bus
77		SD_RAS	SDRAM Row Address Strobe
78		SD_CAS	SDRAM Column Address Strobe
79	I/O	SDATAN3, GPIO27	PCM Audio Input Data, General Purpose I/O
80	I/O	SDATAN2, GPIO26	PCM Audio Input Data, General Purpose I/O
81	I/O	SDATAN1, GPIO25	PCM Audio Input Data, General Purpose I/O
82	I/O	SDATAN0, GPIO24	PCM Audio Input Data, General Purpose I/O
83		NC4	No Connect
84		NC3	No Connect
85	I/O	LRCLKN, GPIO23	PCM Audio Input Sample Rate Clock, General Purpose I/O
86	I/O	SCLKN, GPIO22	PCM Audio Input Bit Clock, General Purpose I/O
87	O	LRCLK1	Audio Output Sample Rate Clock
88		NC2	No Connect
89		NC1	No Connect
90	V	VDD1	2.5V Supply Voltage
91	V	VSS1	2.5V Ground
92	I/O	AUDATA7, XMT958B, GPIO31	Digital Audio Output 7, S/PDIF Transmitter, General Purpose I/O
93	I/O	AUDATA6, GPIO30	Digital Audio Output 6, General Purpose I/O
94	I/O	AUDATA5, GPIO29	Digital Audio Output 5, General Purpose I/O
95	I/O	HDATA7, GPIO7	DSP C Bidirectional Data Bus, General Purpose I/O
96	I/O	HDATA6, GPIO6	DSP C Bidirectional Data Bus, General Purpose I/O
97	I/O	HDATA5, GPIO5	DSP C Bidirectional Data Bus, General Purpose I/O
98	O	SCLK1	Audio Output Bit Clock

IC19 : CS49403

99		MCLK	Audio Master Clock
100		VDD2	2.5V Supply Voltage
101		VSS2	2.5V Ground
102	I/O	AUDATA4, GPIO28	Digital Audio Output 4, General Purpose I/O
103	I/O	HDATA4, GPIO4	DSP C Bidirectional Data Bus, General Purpose I/O
104	O	SCLK0	Audio Output Bit Clock
105	I/O	HDATA3, GPIO3	DSP C Bidirectional Data Bus, General Purpose I/O
106	O	AUDATA3, XMT958A	Digital Audio Output 3, S/PDIF Transmitter
107	O	AUDATA2	Digital Audio Output 2
108	O	LRCLK0	Audio Output Sample Rate Clock
109	O	AUDATA1	Digital Audio Output 1
110	O	AUDATA0	Digital Audio Output 0
111	I	CMPCLK, FSCLKN2	PCM Audio Input Bit Clock
112	I/O	HDATA2, GPIO2	DSP C Bidirectional Data Bus, General Purpose I/O
113		VSS3	2.5V Ground
114		VDD3	2.5V Supply Voltage
115	I/O	HDATA1, GPIO1	DSP C Bidirectional Data Bus, General Purpose I/O
116	I/O	HDATA0, GPIO0	DSP C Bidirectional Data Bus, General Purpose I/O
117	O	CMPREQ, FLRCLKN2	Frame Clock Data Request Out
118	I	CMPDAT, FSDATAN2	PCM Audio Data Input Number Two
119	I	FLRCLKN1	PCM Audio Input Sample Rate Clock
120	I/O	WR, DS, GPIO10	Host Write Strobe, Host Data Strobe, General Purpose I/O
121	I/O	RD, R/W, GPIO11	Host Parallel Output Enable, Host Parallel R/W, General Purpose I/O
122		PLLVSS	PLL Ground Voltage
123		FILT2	Phase Locked Loop Filter
124		FILT1	Phase-Locked Loop Filter
125		PLLVDD	PLL Supply Voltage
126	O	CLKOUT, XTALO	Crystal Oscillator Output
127	I	CLKIN, XTALI	External Clock Input/Crystal Oscillator Input
128		CLKSEL	DSP Clock Select
129	I/O	CS, GPIO9	Host Parallel Chip Select, General Purpose I/O
130	I/O	A0, GPIO13	Host Parallel Address Bit 0, General Purpose I/O
131	I	FSDATAN1	PCM Audio Data Input One
132		VDD4	2.5V Supply Voltage
133		VSS4	2.5V Ground
134	I	FSCLKN1, STCCLK2	PCM Audio Input Bit Clock
135		SCS	Host Serial SPI Chip Select
136	I	SCDIN	SPI Serial Control Data Input
137		VSS5	2.5V Ground
138		VDD5	2.5V Supply Voltage
139	I/O	A1, GPIO12	Host Address Bit 1, General Purpose I/O
140	I/O	SCDOUT, SCDIO	Serial Control Port Data Input and Output
141	I/O	HINBSY, GPIO8	Input Host Message Status, General Purpose I/O
142		SCCLK	Serial Control Port Clock
143	I/O	UHS2, CS_OUT, GPIO17	Mode Select Bit 2, External Serial Memory Chip Select, General Purpose I/O
144	I	RESET	Master Reset Input

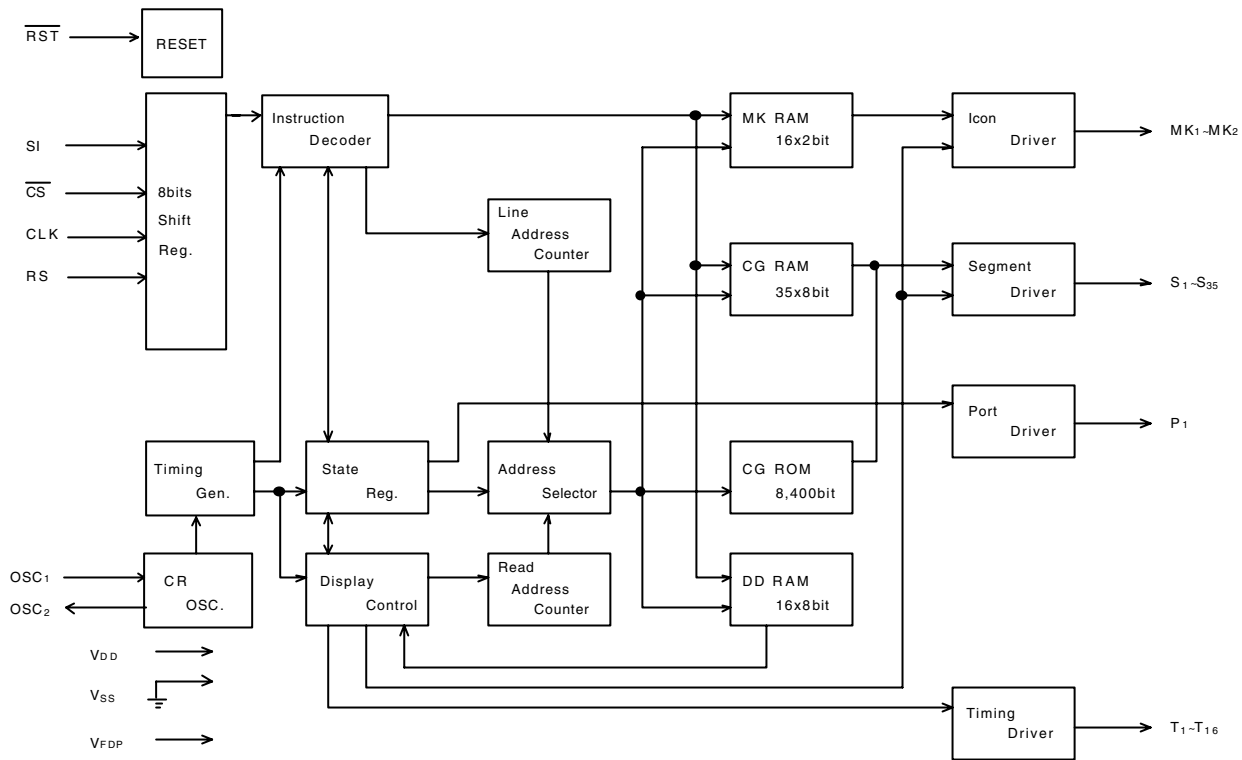
IC78 : LC74781



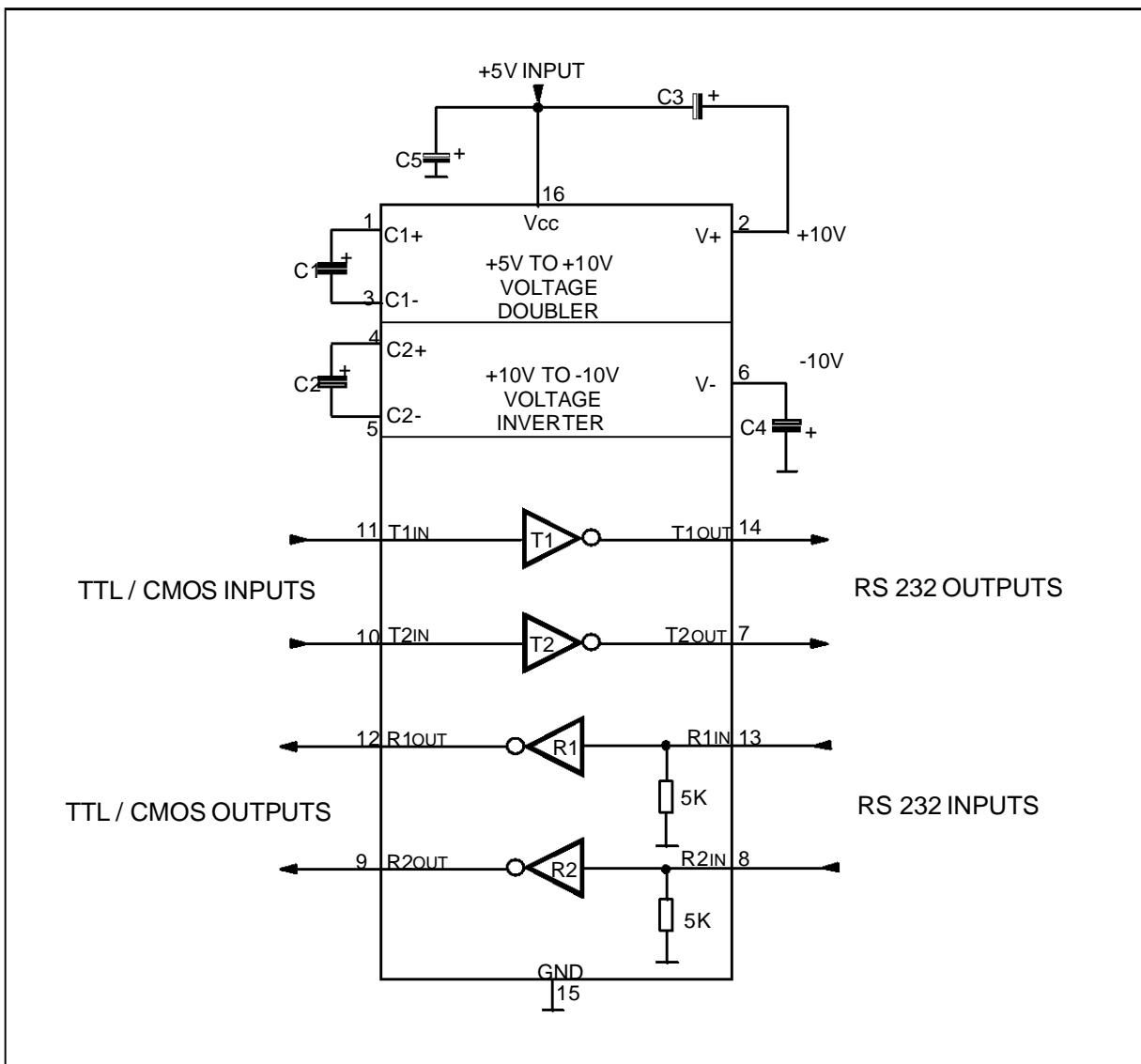
A03300

Pin No.	Symbol	Function	Description
1	VSS1	Ground	Ground connection (digital system ground)
2	XtalIN	Crystal oscillator connection	Used to connect the crystal oscillator and capacitor used to generate the internal synchronization signal, or to input an external clock (2fsc or 4fsc).
3	XtalOUT		
4	CTRL1	Crystal oscillator input switching	Switches between external clock input mode and crystal oscillator mode. Low = crystal oscillator mode, high = external clock mode
5	BLANK	Blanking output	Outputs the blank signal (the OR of the character and border signals). (Outputs a composite sync signal when MOD0 is high.) Outputs the crystal oscillator clock during reset (when the RST pin is low), but can be set up to not output this signal by microprocessor command.
6	OSCIN	LC oscillator connection	Connections for the coil and capacitor that form the oscillator that generates the character output dot clock.
7	OSCOUT		
8	CHARA	Character output	Outputs the character signal. (Functions as the external synchronization signal discrimination signal output pin when MOD0 is high, and outputs the state of the judgment as to whether the external synchronization signal is present or not. Outputs a high level when the synchronization signal is present.) Outputs the dot clock (LC oscillator) during reset, but can be set up to not output this signal by microprocessor command.
9	CS	Enable input	Serial data input enable input. Serial data input is enabled when low. A pull-up resistor is built in (hysteresis input).
10	SCLK	Clock input	Serial data input clock input. A pull-up resistor is built in (hysteresis input).
11	SIN	Data input	Serial data input. A pull-up resistor is built in (hysteresis input).
12	VDD2	Power supply	Composite video signal level adjustment power supply pin (analog system power supply).
13	CVOUT	Video signal output	Composite video signal output
14	NC		Must be either connected to ground or left open.
15	CVIN	Video signal input	Composite video signal input
16	VDD1	Power supply	Power supply (+5 V: digital system power supply)
17	SYNIN	Sync separator circuit input	Video signal input for the built-in sync separator circuit (Used for either horizontal synchronization signal or composite sync signal input when the built-in sync separator circuit is not used.)
18	SEPC	Sync separator circuit bias voltage	Built-in sync separator circuit bias voltage monitor pin
19	SEPOUT	Composite sync signal output	Built-in sync separator circuit composite sync signal output. (When MOD1 is high, outputs a high level during internal synchronization and a low level during external synchronization.) (Outputs the SYNIN input signal when the internal sync separator circuit is not used.)
20	SEPIN	Vertical synchronization signal input	Inputs a vertical synchronization signal created by integrating the SEPOUT pin output signal. An integrator must be attached at the SEPOUT pin. This pin must be tied to VDD1 if unused.
21	CTRL2	NTSC/PAL-M switching input	The setting indicated by this pin takes priority in switching between the NTSC, PAL, PAL-M and PAL-N formats. A low level selects NTSC after a reset. The microprocessor command NTSC, PAL, PAL-M, or PAL-N setting is valid. High = PAL-M format.
22	CTRL3	SEPIN input control	Controls whether or not the VSYNC signal is input to the SEPIN input. Low = VSYNC input, high = VSYNC not input.
23	RST	Reset input	System reset input. A pull-up resistor is built in (hysteresis input).
24	VDD1	Power supply (+5 V)	Power supply (+5 V: digital system power supply)

IC81 : NJU3430



No.	SYMBOL	I/O	F U N C T I O N
57	VDD	-	Power Source : VDD=+3.0 to 5.5V
49	VSS	-	GND : VSS=0V
48	VFDP	-	VFD Driving Power Source VDD-20V to VDD-45V
50	OSC1	I	CR Oscillation Terminal External R and C connect to these terminals. (Target fOSC=360kHz)
51	OSC2	O	
54	CLK	I	Serial Clock Input Terminal The serial data input synchronizing the rise edge of this terminal.
53	\overline{CS}	I	Chip Select Terminal When the CS terminal is "H" the serial data input is not available.
55	SI	I	Serial Data Input Terminal The data input is MSB first.
56	RS	I	Register Selection Signal Input Terminal RS="0" : Instruction Register RS="1" : Data Register
52	\overline{RST}	I	Reset Terminal RST="L" : Reset -Each Address : (00)H -Each RAM Data : Unfixed -Display Digits : 16-digit -Contrast Control : 8/16 Dury -All Display Off -All Outputs are "L"
61 to 64, 1 to 31	S1 to S35	O	Segment Output Terminals (Internal Pull-down Resistance)
32 to 47	T1 to T16	O	Timing Output Terminals (Internal Pull-down Resistance)
60 59	MK1 MK2	O	Icon Output Terminals (Internal Pull-down Resistance)
58	P1	O	Output Port Terminal This terminal is suitable for LED.



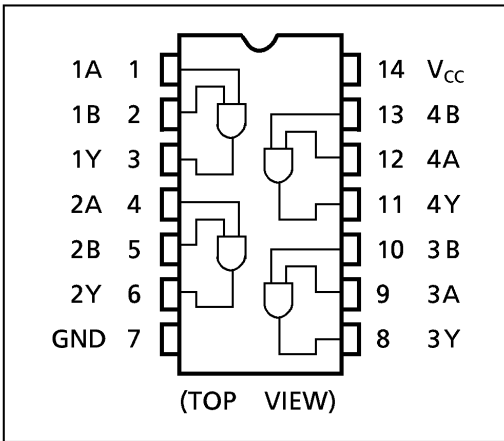
Note 1: C₁₋₄ capacitors can even be 1 μF ones.
 Note 2: C₁₋₄ can be common or biased capacitors.

PIN No	SYMBOL	NAME AND FUNCTION
1	C ₁₊	Positive Terminal for the first Charge Pump Capacitor
2	V+	Doubled Voltage Terminal
3	C ₁₋	Negative Terminal for the first Charge Pump Capacitor
4	C ₂₊	Positive Terminal for the second Charge Pump Capacitor
5	C ₂₋	Negative Terminal for the second Charge Pump Capacitor
6	V-	Inverted Voltage Terminal
7	T _{2OUT}	Second Transmitter Output Voltage
8	R _{2IN}	Second Receiver Input Voltage
9	R _{2OUT}	Second Receiver Output Voltage
10	T _{2IN}	Second Transmitter Input Voltage
11	T _{1IN}	First Transmitter Input Voltage
12	R _{1OUT}	First Receiver Output Voltage
13	R _{1IN}	First Receiver Input Voltage
14	T _{1OUT}	First Transmitter Output Voltage
15	GND	Ground
16	V _{CC}	Supply Voltage

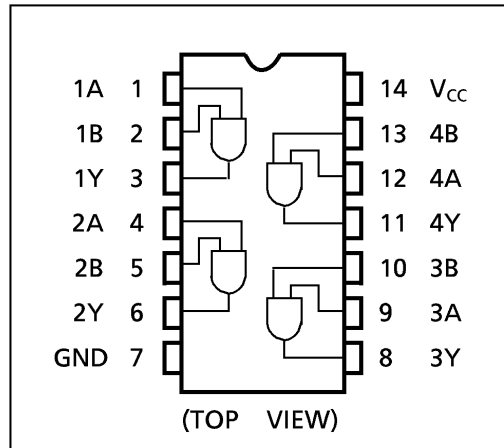
IC14 : TC74VHCT08AFT

IC15 : TC74VHC08TTR

PIN ASSIGNMENT



PIN ASSIGNMENT



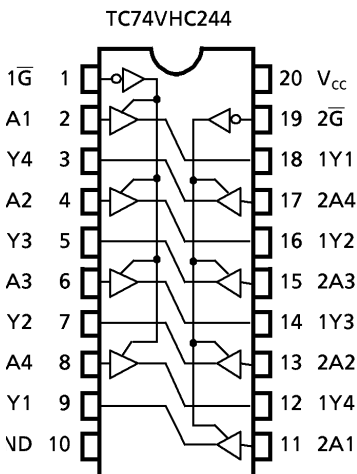
TRUTH TABLE

A	B	Y
L	L	L
L	H	L
H	L	L
H	H	H

TRUTH TABLE

A	B	Y
L	L	L
L	H	L
H	L	L
H	H	H

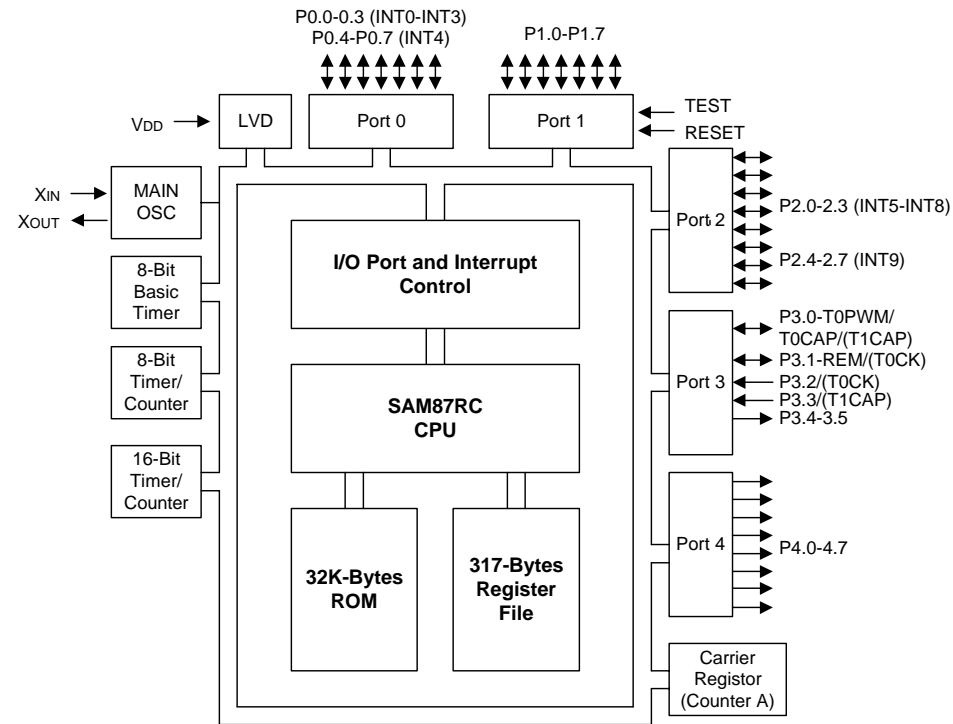
IC16 : TC74VHC244F



TRUTH TABLE

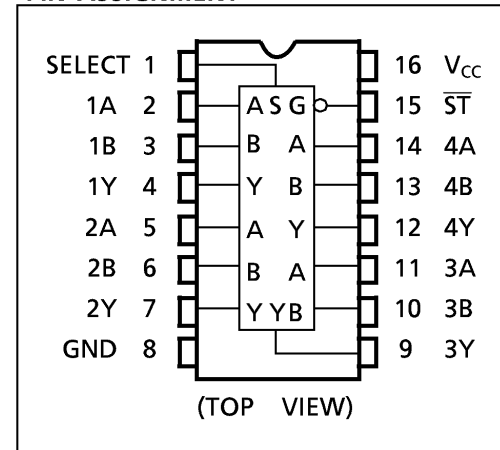
INPUTS		OUTPUTS	
\bar{G}	A _n	Y _n	\bar{Y}_n
L	L	L	H
L	H	H	L
H	X	Z	Z

X : Don't Care
Z : High Impedance
Y_n : TC74VHC244
 \bar{Y}_n : TC74VHC240

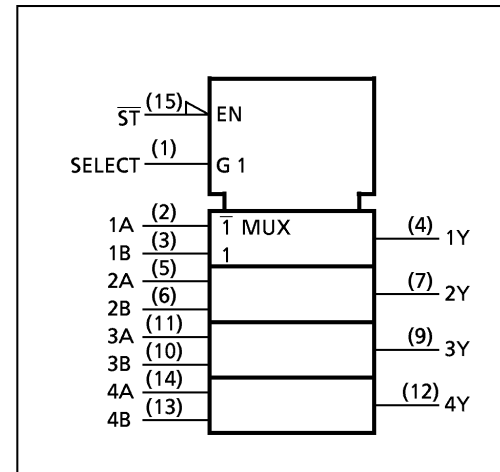


Pin Names	Pin Type	Pin Description	Circuit Type	32 Pin No.	Shared Functions
P0.0–P0.7	I/O	I/O port with bit-programmable pins. Configurable to input or push-pull output mode. Pull-up resistors are assignable by software. Pins can be assigned individually as external interrupt inputs with noise filters, interrupt enable/ disable, and interrupt pending control. SED & R circuit built in P0 for STOP releasing.	1	17–24	Ext. INT
P1.0–P1.7	I/O	I/O port with bit-programmable pins. Configurable to input mode or output mode. Pin circuits are either push-pull or n-channel open-drain type.	2	9–16	–
P2.0–P2.3 P2.4–P2.7	I/O	I/O port with bit-programmable pins. Configurable to input or push-pull output mode. Pull-up resistors can be assigned by software. Pins can be assigned individually as external interrupt inputs with noise filters, interrupt enable/disable, and interrupt pending control. SED & R circuit built in P2 for STOP releasing.	1	25–28 29,5, 6,8	Ext. INT
P3.0 P3.1	I/O	2-bit I/O port with bit-programmable pins. Configurable to input mode, push-pull output mode, or n-channel open-drain output mode. Input mode with pull-up resistors can be assigned by software. The two port 3 pins have high current drive capability.	3 4	30,31	T0PWM/ T0CAP/T1CAP REM/T0CK
X _{IN} , X _{OUT}	–	System clock input and output pins	–	2,3	–
RESET	I	System reset signal input pin and back-up mode input.	8	7	–
TEST	I	Test signal input pin (for factory use only; must be connected to V _{SS}).	–	4	–
V _{DD}	–	Power supply input pin	–	32	–
V _{SS}	–	Ground pin	–	1	–

PIN ASSIGNMENT



IEC LOGIC SYMBOL

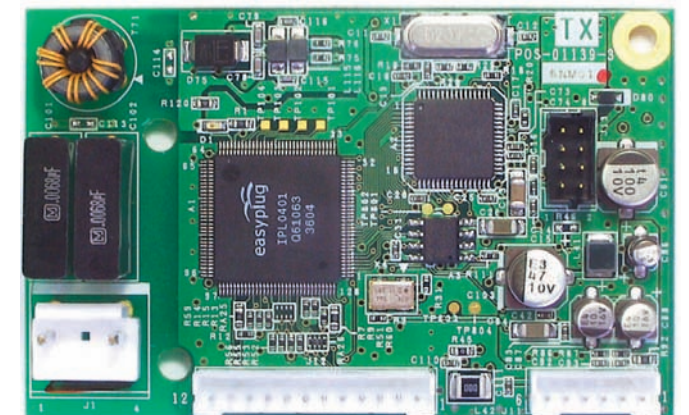
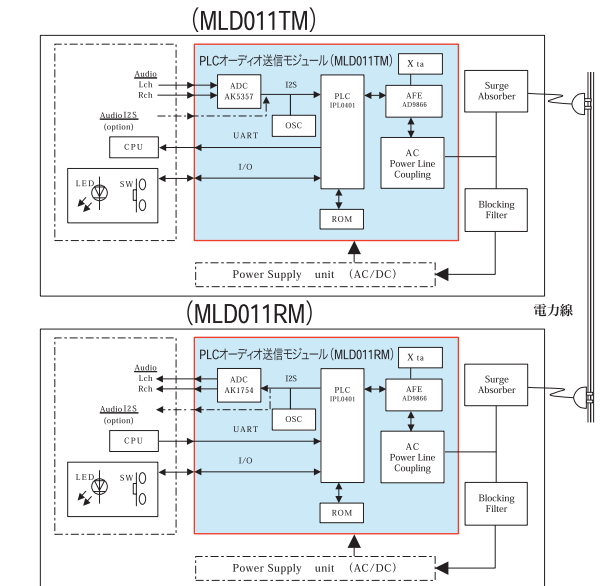


<MLD 011TM/RM>

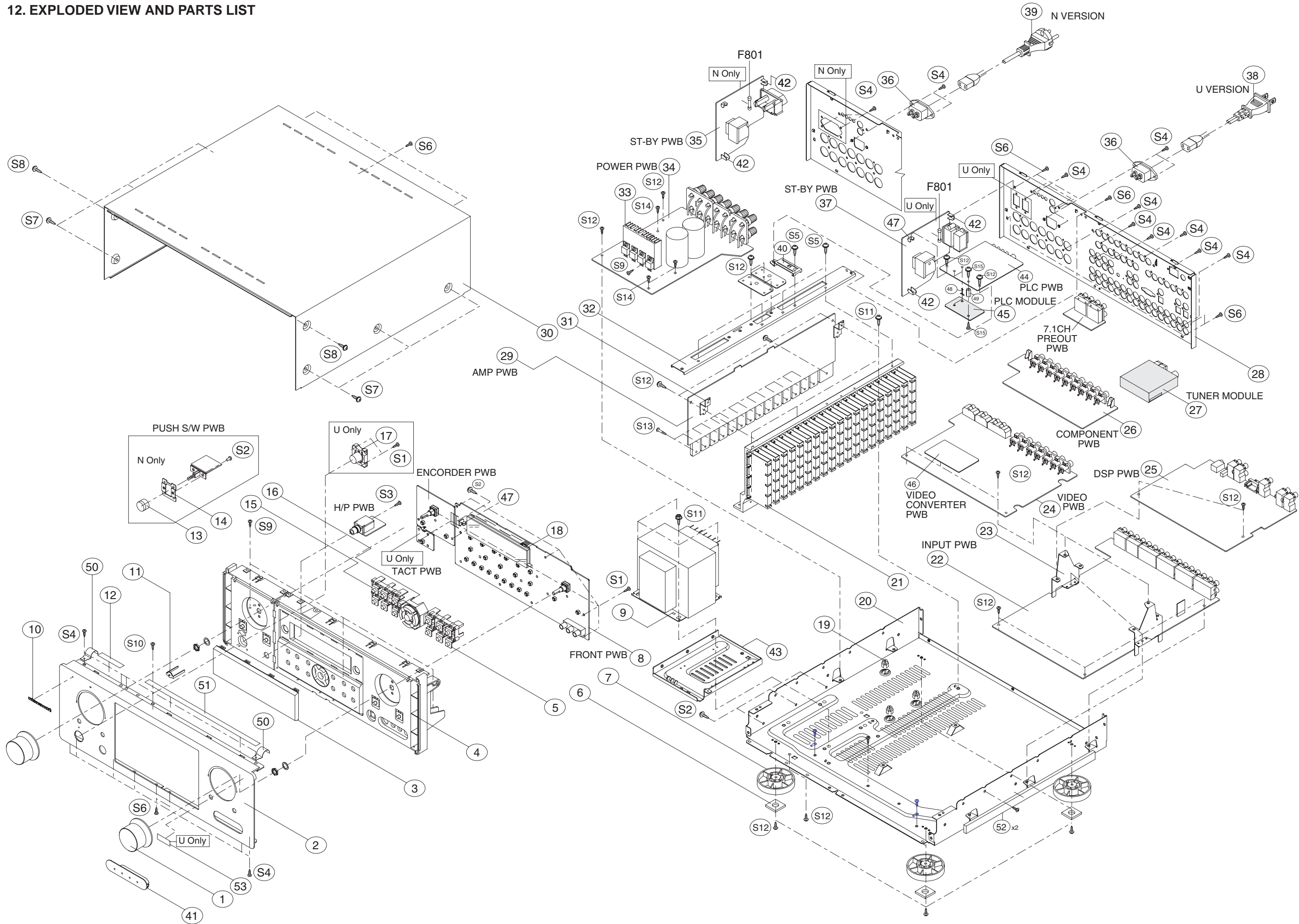
Features

Liner PCM audio transmission.
Standard analog audio interface. I2S digital audio interface is available as option.
Embedded AC coupling circuit enables easy installation.

No.	項目 Items	規格 Standard
1	音品質 Sound Quality	16bit 44.1kHzサンプリング 16bit 44.1kHz Sampling 2チャンネル 2Channel
2	オーディオ信号 インターフェース Audio Signal Interface	アナログオーディオ Analog Audio I2Sデジタルオーディオ (オプション) I2S Digital Audio (Option)
3	コントロール信号インターフェース Control Signal Interface	UART
4	電源電圧 Supply Voltage 消費電流 Current Consumption	TX +5V 500mA以下 500mA or less RX +5V 500mA以下 500mA or less +9V 50mA以下 50mA or less
5	PLC AC電源 PLC AC Supply Voltage	AC240V以下 240V or less
6	動作環境条件 Operational Ambient Temperature	温度0°C~+50°C 湿度30%~80% Temperature Range 0°C~+50°C Humidity Range 30%~80%
7	外形寸法 Size	71mm (W) × 45 (D)
8	重量 Weight	25 [g] 以下 Less than 25g
9	適合規制 (USA) Regulation FCC Part 15 Class B	USA FCC Part15 Class B



12. EXPLODED VIEW AND PARTS LIST



P.C.B. NAME	POS. NO.	VERS. COLOR	PART NO. (FOR EUR)	PART NO. (MZ)	PART NAME	DESCRIPTION	
	1	/N1B	00M28AW154010	00M28AW154010	KNOB	MASTER KNOB (BLACK)	HGK1A090YA
	1	/N1S	00M28AW154030	00M28AW154030	KNOB	MASTER KNOB (SILVER)	HGK1A090XA
	1	/U1B	nsp	00M28AW154010	KNOB	MASTER KNOB (BLACK)	HGK1A090YA
	2	/N1B	00M15CW248020	00M15CW248020	PANEL	FRONT PANEL AL BLACK	CKM1A134PC23
	2	/N1S	00M15CW248220	00M15CW248220	PANEL	FRONT PANEL SILVER	CKM1A134PC40
	2	/U1B	nsp	00M15CW248010	PANEL	FRONT PANEL AL BLACK U	CKM1A134NC23
	3	/N1B	00M15CW158010	00M15CW158010	WINDOW	FIP WINDOW	CGU2A346Y
	3	/N1S	00M15CW158010	00M15CW158010	WINDOW	FIP WINDOW	CGU2A346Y
	3	/U1B	nsp	00M15CW158010	WINDOW	FIP WINDOW	CGU2A346Y
	4	/N1B	00M15CW105010	00M15CW105010	CHASSIS	FRONT MOLD CHASSIS BLACK	CGW2A382R4ZK92
	4	/N1S	00M15CW105210	00M15CW105210	CHASSIS	FRONT MOLD CHASSIS SILVER	CGW2A382R6ZG13
	4	/U1B	nsp	00M15CW105010	CHASSIS	FRONT MOLD CHASSIS BLACK	CGW2A382R4ZK92
	5	/N1B	00M07BW270030	00M07BW270030	BUTTON	BUTTON R (BLACK)	CBT1A941K92
	5	/N1S	00M07BW270230	00M07BW270230	BUTTON	BUTTON R (SILVER)	CBT1A941R6G13
	5	/U1B	nsp	00M07BW270030	BUTTON	BUTTON R (BLACK)	CBT1A941K92
	6		00M11BW056010	00M11BW056010	BUFFER	RUBBER CUSHION	KHG1A050
	7	/N1B	00M243W057010	00M243W057010	LEG	LEG GOLD/BLACK	CKL2A042H11
	7	/N1S	00M243W057210	00M243W057210	LEG	LEG FOR SILVER	CKL2A042H46
	7	/U1B	nsp	00M243W057010	LEG	LEG GOLD/BLACK	CKL2A042H11
	8	/N1B	nsp	nsp	PWB ASSY	FRONT PWB ASSY	COP11857D
	8	/N1S	nsp	nsp	PWB ASSY	FRONT PWB ASSY	COP11857B
	8	/U1B	nsp	nsp	PWB ASSY	FRONT PWB ASSY	COP11857C
	9	/N1B	90M-TS002660R	90M-TS002660R	TRANSF.	ZR6001 MAIN TRANS FOR N	CLT5W024ZE
	9	/N1S	90M-TS002660R	90M-TS002660R	TRANSF.	ZR6001 MAIN TRANS FOR N	CLT5W024ZE
	9	/U1B	nsp	90M-TS002670R	TRANSF.	ZR6001 MAIN TRANS FOR U	CLT5W024ZU
	10	/N1B	00M24AW251010	00M24AW251010	BADGE	NEW MZ BADGE	CGB1A117
	10	/N1S	00M24AW251020	00M24AW251020	BADGE	NEW MZ BADGE SILVER	CGB1A117G
	10	/U1B	nsp	00M24AW251010	BADGE	NEW MZ BADGE	CGB1A117
	11		00M27AW355010	00M27AW355010	LENS	STANDBY LENS	CGL1A216
	12		nsp	nsp	TAPE	TAPE HEMELON	KHS1A032
	13	/N1B	00M27AW270040	00M27AW270040	BUTTON	POWER SW BUTTON (BLACK)	CBC1A146K92
	13	/N1S	00M27AW270240	00M27AW270240	BUTTON	POWER SW BUTTON (SILVER)	CBC1A146R6G13
	14	/N1B	nsp	nsp	BRACKET	POWER SW BRACKET	CMD1A493
	14	/N1S	nsp	nsp	BRACKET	POWER SW BRACKET	CMD1A493
	15	/N1B	00M07BW270020	00M07BW270020	BUTTON	BUTTON L (BLACK)	CBT1A940K92
	15	/N1S	00M07BW270220	00M07BW270220	BUTTON	BUTTON L (SILVER)	CBT1A940R6G13
	15	/U1B	nsp	00M07BW270020	BUTTON	BUTTON L (BLACK)	CBT1A940K92
	16	/N1B	00M07BW270010	00M07BW270010	BUTTON	CURSOR BUTTON (BLACK)	CBT1A939ZK92
	16	/N1S	00M07BW270210	00M07BW270210	BUTTON	CURSOR BUTTON (SILVER)	CBT1A939R6ZG13
	16	/U1B	nsp	00M07BW270010	BUTTON	CURSOR BUTTON (BLACK)	CBT1A939ZK92
	17	/U1B	nsp	00M27AW270030	BUTTON	POWER SW BUTTON TACT (BLACK)	CBT1A877K92
	19		nsp	nsp	HOLDER	HOLDER PWB	CHE1A030
	20		nsp	nsp	CHASSIS	MAIN CHASSIS	CUA1A230
	21		nsp	nsp	HEATSINK	MAIN HEAT SINK	CMY2A236
	22		nsp	nsp	PWB ASSY	INPUT PWB ASSY	COP11858B
	23		nsp	nsp	BRACKET	BRACKET FOR PWB 1F-3F	CMD1A492
	24	/N1B	nsp	nsp	PWB ASSY	VIDEO PWB ASSY (POWER)	COP11860B
	24	/N1S	nsp	nsp	PWB ASSY	VIDEO PWB ASSY (POWER)	COP11860B
	24	/U1B	nsp	nsp	PWB ASSY	VIDEO PWB ASSY (POWER)	COP11860C
	25	/N1B	nsp	nsp	PWB ASSY	DSP PWB ASSY	COP11859B
	25	/N1S	nsp	nsp	PWB ASSY	DSP PWB ASSY	COP11859B
	25	/U1B	nsp	nsp	PWB ASSY	DSP PWB ASSY	COP11859C
	26		nsp	nsp	PWB ASSY	COMPONENT PWB ASSY	COP11828G
	27	/N1B	90M-AV000400R	90M-AV000400R	TUNER	TUNER MODULE(EUR)	CNVMB114MA18L
	27	/N1S	90M-AV000400R	90M-AV000400R	TUNER	TUNER MODULE(EUR)	CNVMB114MA18L
	27	/U1B	nsp	90M-AV000410R	TUNER	TUNER MODULE (USA)	CNVMB014MA08L
	28	/N1B	nsp	nsp	PANEL	REAR PANEL ZR6001 N	CKF1A307Z
	28	/N1S	nsp	nsp	PANEL	REAR PANEL ZR6001 N	CKF1A307Z
	28	/U1B	nsp	nsp	PANEL	REAR PANEL ZR6001 U	CKF2A307Z
	29		nsp	nsp	PWB ASSY	AMP PWB ASSY	COP11824G
	31		nsp	nsp	BRACKET	BRACKET FOR POWER AMP PWB	CMD1A490
	32		nsp	nsp	BRACKET	BAR BRACKET	CMD2A491K92
	33		nsp	nsp	HEATSINK	SUB HEATSINK	CMY1A207
	34	/N1B	nsp	nsp	PWB ASSY	POWER PWB ASSY	COP11860B
	34	/N1S	nsp	nsp	PWB ASSY	POWER PWB ASSY	COP11860B
	34	/U1B	nsp	nsp	PWB ASSY	POWER PWB ASSY	COP11860C
	35	/N1B	nsp	nsp	PWB ASSY	ST-BY PWB ASSY (FRONT)	COP11857D

NOTE : *nsp* PART IS LISTED FOR REFERENCE ONLY, MARANTZ WILL NOT SUPPLY THESE PARTS.

P.C.B. NAME	POS. NO.	VERS. COLOR	PART NO. (FOR EUR)	PART NO. (MZ)	PART NAME	DESCRIPTION
	35	/N1S	nsp	nsp	PWB ASSY	ST-BY PWB ASSY (FRONT) COP11857B
	35	/U1B	nsp	nsp	PWB ASSY	ST-BY PWB ASSY (FRONT) COP11857C
	▲ 36		90M-YJ002690R	90M-YJ002690R	TERMINAL	# R-301(187-2P) 10A/250V HJJ8A001Z
	37	/N1B	nsp	nsp	PWB ASSY	ST-BY PWB ASSY (FRONT) COP11857D
	37	/N1S	nsp	nsp	PWB ASSY	ST-BY PWB ASSY (FRONT) COP11857B
	37	/U1B	nsp	nsp	PWB ASSY	ST-BY PWB ASSY (FRONT) COP11857C
	▲ 38	/U1B	nsp	90M-ZC000310R	MAINS CORD	# MAINS CORD UL 032508/12 CJA2A070Z
	▲ 39	/N1B	90M-ZC000320R	90M-ZC000320R	MAINS CORD	# MAINS CORD 2WIRE 10A/250V CJA2B054Z
	▲ 39	/N1S	90M-ZC000320R	90M-ZC000320R	MAINS CORD	# MAINS CORD 2WIRE 10A/250V CJA2B054Z
	40		nsp		BRACKET	BLACKET PWB CMD1A584
	41		00M10BW067010	00M10BW067010	CAP	COVER FOR FRONT JACK CGR1A344
	43		nsp	nsp	BRACKET	BRACKET TRANS CMD1A510
	44		nsp	nsp	PWB ASSY	PLC PWB ASSY COP11861B
	45		00MZK11CW0010	00MZK11CW0010	UNIT KIT	PLC MODULE
	46	/N1B	nsp	nsp	PWB ASSY	CONVERTER PWB ASSY COP11829G
	46	/N1S	nsp	nsp	PWB ASSY	CONVERTER PWB ASSY COP11829G
	46	/U1B	nsp	nsp	PWB ASSY	CONVERTER PWB ASSY COP11829H
	48		nsp	nsp	SUPPORT	SUPPORT FOR PWB CRE1A070
	49		nsp	nsp	SUPPORT	SUPPORT(SUM24L) CDF1A019
	50		nsp	nsp	PLATE	EARTH PLATE CMC2A214
	51		nsp	nsp	BUFFER	GASKET SHIELD (8x2x280) CMC1A295
	52		nsp	nsp	BUFFER	GASKET SHIELD (13x5.5x290) CMC1A294
	53	/U1B	nsp	00M15CW861110	LABEL	DAVED LABEL CQB1A756Z
	BN19	/N1B	nsp	nsp	CORD	WIRE ASSY CWB4F232420UU
	BN19	/N1S	nsp	nsp	CORD	WIRE ASSY CWB4F232420UU
	BN92		nsp	nsp	CORD	WIRE ASSY CWZSR7400BN92
	CW15		nsp	90M-YU002170R	FPC	17P 430MM CWC1B4A17A430A
	CW19		nsp	nsp	CORD	WIRE ASSY CWZZR6001BN16
	▲ F801	/N1B	90M-FS001090R	90M-FS001090R	FUSE	! 5A/250V(EUR) T5AL KBA2C5000TLEY
	▲ F801	/N1S	90M-FS001090R	90M-FS001090R	FUSE	! 5A/250V(EUR) T5AL KBA2C5000TLEY
	▲ F801	/U1B	nsp	90M-FS001080R	FUSE	! 10A/250V KBA2C1002TLEY
	JW15		nsp	90M-YU001540R	FPC	16P 270MM PITCH 1MM CWC1B4A16A270A
	JW25		nsp	90M-YU001550R	FPC	19P 80MM PITCH 1MM CWC1B4A19A080B
	JW27		nsp	90M-YU001570R	FPC	17P 80MM PITCH 1.25MM CWC1C4A17B080B
	JW34	/U1B	nsp	90M-YU001560R	FPC	15P 160MM PITCH 1.25MM CWC1C4A15B160B
	JW35	/N1B	nsp	90M-YU001580R	FPC	17P 160MM PITCH 1.25MM CWC1C4A17B160B
	JW35	/N1S	nsp	90M-YU001580R	FPC	17P 160MM PITCH 1.25MM CWC1C4A17B160B
	JW36		nsp	90M-YU001520R	FPC	11P 80MM PITCH 1MM CWC1B4A11A080A
	JW38		nsp	90M-YU001530R	FPC	13P 450MM PITCH 1MM CWC1B4A13A450A
	JW42		nsp	90M-YU001500R	FPC	7P 50MM PITCH 1MM CWC1B4A07A050A
	JW50		nsp	90M-YU001510R	FPC	11P 50MM PITCH 1MM CWC1B4A11A050B
PACKING						
		/N1B	00M11CW851310	00M11CW851310	USER GUIDE	USER GUIDE ZR6001 N CQX1A1075Z
		/N1S	00M11CW851310	00M11CW851310	USER GUIDE	USER GUIDE ZR6001 N CQX1A1075Z
		/U1B	nsp	00M11CW851250	USER GUIDE	USER GUIDE ZR6001 U CQX1A1076Z
			00MZK08BW0010	00MZK08BW0010	UNIT KIT	REMOTE CONTROLLER RC5500SR HARTSR5500
NOT STANDARD SPARE PART						
			nsp	00M11CW801010	PACKING CASE	PACKING CASE ZR6001 CPG1A720J
			nsp	00M27AW809010	CUSHION	CUSHION L (CPS1A649) CPS2A649
			nsp	00M27AW809020	CUSHION	CUSHION R (CPS1A650) CPS2A650
	30	/N1B	nsp	00M15CW257010	LID	TOP COVER BLACK CKC1A139ZK117
	30	/N1S	nsp	00M15CW257210	LID	TOP COVER SILVER CKC1A139ZG14
	30	/U1B	nsp	00M15CW257010	LID	TOP COVER BLACK CKC1A139ZK117
			nsp	nsp	ANTENNA	AM LOOP ANT CSA1A020Z
			nsp	nsp	ANTENNA	AM LOOP ANTENNA ASSY CSA3A011Z
			nsp	90M-ZA000210R	ANTENNA	ANT FM WIRE (PIGTAIL) CSA1A007

NOTE : "nsp" PART IS LISTED FOR REFERENCE ONLY, MARANTZ WILL NOT SUPPLY THESE PARTS.

13. ELECTRICAL PARTS LIST

PARTS INFORMATION

RESISTORS

- 1) 00MGD05××× 140, Carbon film fixed resistor, ±5% 1/4W
- 2) 00MGD05××× 160, Carbon film fixed resistor, ±5% 1/6W

① — Resistance value

Examples ;

① Resistance value
 0.1 Ω 001 10 Ω 100 1 kΩ 102 100 kΩ 104
 0.5 Ω 005 18 Ω 180 2.7 kΩ 272 680 kΩ 684
 1 Ω 010 100 Ω 101 10 kΩ 103 1 MΩ 105
 6.8 Ω 068 390 Ω 391 22 kΩ 223 4.7 MΩ 475

Note : Please distinguish 1/4W from 1/6W by the shape of parts used actually.

CAPACITORS

CERAMIC CAP.

- 3) 00MDD1×××× 370 Ceramic capacitor
 Disc type
 Temp.coeff.P350 ~ N1000, 50V
- ② — Capacity value
 ③ — Tolerance

Examples ;

② Tolerance (Capacity deviation)
 ±0.25 pF 0
 ±0.5 pF 1
 ±5% 5

* Tolerance of COMMON PARTS handled here are as follows :

0.5 pF ~ 5 pF ±0.25 pF
 6 pF ~ 10 pF ±0.5 pF
 12 pF ~ 560 pF ±5%

③ Capacity value

0.5 pF 005 3 pF 030 100 pF 101
 1 pF 010 10 pF 100 220 pF 221
 1.5 pF 015 47 pF 470 560 pF 561

CERAMIC CAP.

- 4) 00MDK16××× 300, High dielectric constant ceramic capacitor
 Disc type
 Temp.chara. 2B4, 50V
- ④ — Capacity value

Examples ;

④ Capacity value
 100 pF 101 1000 pF 102 10000 pF 103
 470 pF 471 2200 pF 222

ELECTROLY CAP. ($\frac{\square}{\square}$)

- 5) 00MEA××××× 10, Electrolytic capacitor
 One-way lead type, Tolerance ±20%
- ⑤ — Capacity value
 ⑥ — Working voltage

Examples ;

⑤ Capacity value
 0.1 μF 104 4.7 μF 475 100 μF 107
 0.33 μF 334 10 μF 106 330 μF 337
 1 μF 105 22 μF 226 1100 μF 118
 2200 μF 228

⑥ Working voltage

6.3V 006 25V 025
 10V 010 35V 035
 16V 016 50V 050

FILM CAP. ($\frac{\square}{\square}$)

- 6) 00MDF15××× 350 Plastic film capacitor
 One-way type, Mylar ±5% 50V
 - 00MDF15××× 310 Plastic film capacitor
 One-way type, Mylar ±10% 50V
- ⑦ — Capacity value

Examples ;

⑦ Capacity value
 0.001 μF (1000 pF) 102 0.1 μF 104
 0.0018 μF 182 0.56 μF 564
 0.01 μF 103 1 μF 105
 0.015 μF 153

NOTE ON SAFETY FOR FUSIBLE RESISTOR :

The suppliers and their type numbers of fusible resistors are as follows;

1. KOA Corporation

Part No. (MJI)	Type No. (KOA)	Description
00MNH05 ××× 140	RF25S ×××× ΩJ	(±5% 1/4W)
00MNH05 ××× 120	RF50S ×××× ΩJ	(±5% 1/2W)
00MNH85 ××× 110	RF73B2A ×××× ΩJ	(±5% 1/10W)
00MNH95 ××× 140	RF73B2E ×××× ΩJ	(±5% 1/4W)

* Resistance value Resistance value (0.1 Ω – 10 kΩ)

2. Matsushita Electronic Components Co., Ltd

Part No. (MJI)	Type No. (MEC)	Description
00MNF05 ××× 140	ERD-2FCJ ×××	(±5% 1/4W)
00MRF05 ××× 140		
00MNF02 ××× 140	ERD-2FCG ×××	(±2% 1/4W)
00MRF02 ××× 140		

* Resistance value * Resistance value

Examples ;

* Resistance value
 0.1 Ω 001 10 Ω 100 1 kΩ 102 100 kΩ 104
 0.5 Ω 005 18 Ω 180 2.7 kΩ 272 680 kΩ 684
 1 Ω 010 100 Ω 101 10 kΩ 103 1 MΩ 105
 6.8 Ω 068 390 Ω 391 22 kΩ 223 4.7 MΩ 475



ABBREVIATION AND MARKS

ANT. : ANTENNA	BATT. : BATTERY
CAP. : CAPACITOR	CER. : CERAMIC
CONN. : CONNECTING	DIG. : DIGITAL
HP : HEADPHONE	MIC. : MICROPHONE
μ-PRO : MICROPROCESSOR	REC. : RECORDING
RES. : RESISTOR	SPK : SPEAKER
SW : SWITCH	TRANSF. : TRANSFORMER
TRIM. : TRIMMING	TRS. : TRANSISTOR
VAR. : VARIABLE	X'TAL : CRYSTAL


NOTE ON FUSE :

Regarding to all parts of parts code 00MFS20xxx2xx, replace only with Wickmann-Werke GmbH, Type 372 non glass type fuse.

NOTE ON SAFETY :

Symbol  Fire or electrical shock hazard. Only original parts should be used to replaced any part marked with symbol . Any other component substitution (other than original type), may increase risk of fire or electrical shock hazard.

安全上の注意 :

 がついている部品は、安全上重要な部品です。必ず指定されている部品番号の部品を使用して下さい。

P.C.B. NAME	POS. NO.	VERS. COLOR	PART NO. (FOR EUR)	PART NO. (MZ)	PART NAME	DESCRIPTION	
7.1CH PREOUT PWB (CUP11857-6)							
7.1PRE	BN22		nsp	nsp	CORD	WIRE ASSY	CWB1B915280EN
7.1PRE	C170		nsp	nsp	CER. CAP.	470PF 50V KB	CCKT1H471KB
7.1PRE	C171		nsp	nsp	CER. CAP.	470PF 50V KB	CCKT1H471KB
7.1PRE	C172		nsp	nsp	CER. CAP.	470PF 50V KB	CCKT1H471KB
7.1PRE	C173		nsp	nsp	CER. CAP.	470PF 50V KB	CCKT1H471KB
7.1PRE	C174		nsp	nsp	CER. CAP.	470PF 50V KB	CCKT1H471KB
7.1PRE	C175		nsp	nsp	CER. CAP.	470PF 50V KB	CCKT1H471KB
7.1PRE	C176		nsp	nsp	CER. CAP.	470PF 50V KB	CCKT1H471KB
7.1PRE	C177		nsp	nsp	CER. CAP.	470PF 50V KB	CCKT1H471KB
7.1PRE	JK15		90M-YT004040R	90M-YT004040R	TERMINAL	RCA-401DA-28	CJJ4P051Z
7.1PRE	JK16		90M-YT004050R	90M-YT004050R	TERMINAL	RCA-401DA-16	CJJ4P052Z
AMP PWB (CUP11824Z)							
AMP			nsp	nsp	CLAMPER		KHR301
AMP			nsp	nsp	CLAMPER		KHR301
AMP			nsp	nsp	SCREW		CTB3+6J
AMP	S9		nsp	nsp	SCREW		CTB3+8J
AMP	S12		nsp	nsp	SCREW		CTW3+8J
AMP	BN23		nsp	nsp	CORD	WIRE ASSY	CWZSR7400BN23
AMP	BN24		nsp	nsp	CORD	WIRE ASSY	CWZSR7400BN24
AMP	BN25		nsp	nsp	CORD	WIRE ASSY	CWB1B905180EN
AMP	BN70		nsp	nsp	CORD	WIRE ASSY	CWZSR5500BN70
AMP	C401		nsp	00MOA10605020	ELECT CAP.	10UF 50V	CCEA1HH100T
AMP	C402		nsp	00MOA10605020	ELECT CAP.	10UF 50V	CCEA1HH100T
AMP	C403		nsp	nsp	CER. CAP.	330PF 50V KB	CCKT1H331KB
AMP	C404		nsp	nsp	CER. CAP.	330PF 50V KB	CCKT1H331KB
AMP	C405		nsp	nsp	CER. CAP.	10PF 50V DC	CCCT1H100DC
AMP	C406		nsp	nsp	CER. CAP.	10PF 50V DC	CCCT1H100DC
AMP	C407		90M-OF100350R	90M-OF100350R	FILM CAP.	2200PF 50V J	HCQI1H222JZT
AMP	C408		90M-OF100350R	90M-OF100350R	FILM CAP.	2200PF 50V J	HCQI1H222JZT
AMP	C409		nsp	00MOA22605020	ELECT CAP.	22UF 50V	CCEA1HH220T
AMP	C410		nsp	00MOA22605020	ELECT CAP.	22UF 50V	CCEA1HH220T
AMP	C411		nsp	00MOA10706320	ELECT CAP.	100UF 63V	CCEA1JH101E
AMP	C412		nsp	00MOA10706320	ELECT CAP.	100UF 63V	CCEA1JH101E
AMP	C413		nsp	00MOA10706320	ELECT CAP.	100UF 63V	CCEA1JH101E
AMP	C414		nsp	00MOA10706320	ELECT CAP.	100UF 63V	CCEA1JH101E
AMP	C419		nsp	00MOA10705020	ELECT CAP.	100UF 50V	CCEA1HH101T
AMP	C420		nsp	00MOA10705020	ELECT CAP.	100UF 50V	CCEA1HH101T
AMP	C421		nsp	00MOA10701620	ELECT CAP.	100UF 16V	CCEA1CH101T
AMP	C422		nsp	00MOA10701620	ELECT CAP.	100UF 16V	CCEA1CH101T
AMP	C501		nsp	00MOA10605020	ELECT CAP.	10UF 50V	CCEA1HH100T
AMP	C502		nsp	00MOA10605020	ELECT CAP.	10UF 50V	CCEA1HH100T
AMP	C503		nsp	nsp	CER. CAP.	330PF 50V KB	CCKT1H331KB
AMP	C504		nsp	nsp	CER. CAP.	330PF 50V KB	CCKT1H331KB
AMP	C505		nsp	nsp	CER. CAP.	10PF 50V DC	CCCT1H100DC
AMP	C506		nsp	nsp	CER. CAP.	10PF 50V DC	CCCT1H100DC
AMP	C507		90M-OF100350R	90M-OF100350R	FILM CAP.	2200PF 50V J	HCQI1H222JZT
AMP	C508		90M-OF100350R	90M-OF100350R	FILM CAP.	2200PF 50V J	HCQI1H222JZT
AMP	C509		nsp	00MOA22605020	ELECT CAP.	22UF 50V	CCEA1HH220T
AMP	C510		nsp	00MOA22605020	ELECT CAP.	22UF 50V	CCEA1HH220T
AMP	C511		nsp	00MOA10706320	ELECT CAP.	100UF 63V	CCEA1JH101E
AMP	C512		nsp	00MOA10706320	ELECT CAP.	100UF 63V	CCEA1JH101E
AMP	C513		nsp	00MOA10706320	ELECT CAP.	100UF 63V	CCEA1JH101E
AMP	C514		nsp	00MOA10706320	ELECT CAP.	100UF 63V	CCEA1JH101E
AMP	C519		nsp	00MOA10705020	ELECT CAP.	100UF 50V	CCEA1HH101T
AMP	C520		nsp	00MOA10705020	ELECT CAP.	100UF 50V	CCEA1HH101T
AMP	C521		nsp	00MOA10701620	ELECT CAP.	100UF 16V	CCEA1CH101T
AMP	C522		nsp	00MOA10701620	ELECT CAP.	100UF 16V	CCEA1CH101T
AMP	C601		nsp	00MOA10605020	ELECT CAP.	10UF 50V	CCEA1HH100T
AMP	C602		nsp	00MOA10605020	ELECT CAP.	10UF 50V	CCEA1HH100T
AMP	C603		nsp	nsp	CER. CAP.	330PF 50V KB	CCKT1H331KB
AMP	C604		nsp	nsp	CER. CAP.	330PF 50V KB	CCKT1H331KB
AMP	C605		nsp	nsp	CER. CAP.	10PF 50V DC	CCCT1H100DC
AMP	C606		nsp	nsp	CER. CAP.	10PF 50V DC	CCCT1H100DC
AMP	C607		90M-OF100350R	90M-OF100350R	FILM CAP.	2200PF 50V J	HCQI1H222JZT
AMP	C608		90M-OF100350R	90M-OF100350R	FILM CAP.	2200PF 50V J	HCQI1H222JZT
AMP	C609		nsp	00MOA22605020	ELECT CAP.	22UF 50V	CCEA1HH220T

NOTE : "nsp" PART IS LISTED FOR REFERENCE ONLY, MARANTZ WILL NOT SUPPLY THESE PARTS.

P.C.B. NAME	POS. NO.	VERS. COLOR	PART NO. (FOR EUR)	PART NO. (MZ)	PART NAME	DESCRIPTION	
AMP	C610		nsp	00MOA22605020	ELECT CAP.	22UF 50V	CCEA1HH220T
AMP	C611		nsp	00MOA10706320	ELECT CAP.	100UF 63V	CCEA1JH101E
AMP	C612		nsp	00MOA10706320	ELECT CAP.	100UF 63V	CCEA1JH101E
AMP	C613		nsp	00MOA10706320	ELECT CAP.	100UF 63V	CCEA1JH101E
AMP	C614		nsp	00MOA10706320	ELECT CAP.	100UF 63V	CCEA1JH101E
AMP	C619		nsp	00MOA10705020	ELECT CAP.	100UF 50V	CCEA1HH101T
AMP	C620		nsp	00MOA10705020	ELECT CAP.	100UF 50V	CCEA1HH101T
AMP	C621		nsp	00MOA10701620	ELECT CAP.	100UF 16V	CCEA1CH101T
AMP	C622		nsp	00MOA10701620	ELECT CAP.	100UF 16V	CCEA1CH101T
AMP	C701		nsp	00MOA10605020	ELECT CAP.	10UF 50V	CCEA1HH100T
AMP	C703		nsp	nsp	CER. CAP.	330PF 50V KB	CCKT1H331KB
AMP	C706		nsp	nsp	CER. CAP.	10PF 50V DC	CCCT1H100DC
AMP	C707		90M-OF100350R	90M-OF100350R	FILM CAP.	2200PF 50V J	HCQ1H222JZT
AMP	C709		nsp	00MOA22605020	ELECT CAP.	22UF 50V	CCEA1HH220T
AMP	C711		nsp	00MOA10706320	ELECT CAP.	100UF 63V	CCEA1JH101E
AMP	C713		nsp	00MOA10706320	ELECT CAP.	100UF 63V	CCEA1JH101E
AMP	C719		nsp	00MOA10705020	ELECT CAP.	100UF 50V	CCEA1HH101T
AMP	C721		nsp	00MOA10701620	ELECT CAP.	100UF 16V	CCEA1CH101T
AMP	C722		nsp	00MOA10701620	ELECT CAP.	100UF 16V	CCEA1CH101T
AMP	C810		90M-OF100490R	90M-OF100490R	FILM CAP.	0.1UF 250V	KCME2E104JP04T
AMP	C811		90M-OF100490R	90M-OF100490R	FILM CAP.	0.1UF 250V	KCME2E104JP04T
AMP	C812		nsp	nsp	CER. CAP.	0.01UF 50V Z	CCFT1H103ZF
AMP	C813		nsp	00MOA47605020	ELECT CAP.	47UF 50V	CCEA1HH470T
AMP	C814		nsp	00MOA47505020	ELECT CAP.	4.7UF 50V	CCEA1HH4R7T
AMP	C815		nsp	nsp	CER. CAP.	0.01UF 50V Z	CCFT1H103ZF
AMP	CN41		nsp	nsp	CONN.	STRAIGHT, 2PIN	CJP02GA01ZY
AMP	CN42		nsp	nsp	CONN.	STRAIGHT, 2PIN	CJP02GA01ZY
AMP	CN51		nsp	nsp	CONN.	STRAIGHT, 2PIN	CJP02GA01ZY
AMP	CN52		nsp	nsp	CONN.	STRAIGHT, 2PIN	CJP02GA01ZY
AMP	CN61		nsp	nsp	CONN.	STRAIGHT, 2PIN	CJP02GA01ZY
AMP	CN62		nsp	nsp	CONN.	STRAIGHT, 2PIN	CJP02GA01ZY
AMP	CN71		nsp	nsp	CONN.	STRAIGHT, 2PIN	CJP02GA01ZY
AMP	CN73		nsp	nsp	CONN.	A3963WV2-6P	CJP06GA148ZW
AMP	CN81		nsp	nsp	CONN.	2PIN CJP02GA19ZY	CJP02GA19ZY
AMP	CN82		nsp	nsp	CONN.	2PIN CJP02GA19ZY	CJP02GA19ZY
AMP	D401		nsp	00MHD20015210	DIODE	1SS133T-77	HVD1SS133MT
AMP	D402		nsp	00MHD20015210	DIODE	1SS133T-77	HVD1SS133MT
AMP	D403		nsp	00MHD20015210	DIODE	1SS133T-77	HVD1SS133MT
AMP	D404		nsp	00MHD20015210	DIODE	1SS133T-77	HVD1SS133MT
AMP	D405		nsp	00MHD20015210	DIODE	1SS133T-77	HVD1SS133MT
AMP	D406		nsp	00MHD20015210	DIODE	1SS133T-77	HVD1SS133MT
AMP	D407		nsp	00MHD20015210	DIODE	1SS133T-77	HVD1SS133MT
AMP	D408		nsp	00MHD20015210	DIODE	1SS133T-77	HVD1SS133MT
AMP	D409		90M-HD302240R	90M-HD302240R	ZENER DIODE	3.6V 1/2W	HVDMTZJ3.6BT
AMP	D410		90M-HD302240R	90M-HD302240R	ZENER DIODE	3.6V 1/2W	HVDMTZJ3.6BT
AMP	D411		90M-HD302240R	90M-HD302240R	ZENER DIODE	3.6V 1/2W	HVDMTZJ3.6BT
AMP	D412		90M-HD302240R	90M-HD302240R	ZENER DIODE	3.6V 1/2W	HVDMTZJ3.6BT
AMP	D413		nsp	00MHD20015210	DIODE	1SS133T-77	HVD1SS133MT
AMP	D414		nsp	00MHD20015210	DIODE	1SS133T-77	HVD1SS133MT
AMP	D415		nsp	00MHD20015210	DIODE	1SS133T-77	HVD1SS133MT
AMP	D416		nsp	00MHD20015210	DIODE	1SS133T-77	HVD1SS133MT
AMP	D501		nsp	00MHD20015210	DIODE	1SS133T-77	HVD1SS133MT
AMP	D502		nsp	00MHD20015210	DIODE	1SS133T-77	HVD1SS133MT
AMP	D503		nsp	00MHD20015210	DIODE	1SS133T-77	HVD1SS133MT
AMP	D504		nsp	00MHD20015210	DIODE	1SS133T-77	HVD1SS133MT
AMP	D505		nsp	00MHD20015210	DIODE	1SS133T-77	HVD1SS133MT
AMP	D506		nsp	00MHD20015210	DIODE	1SS133T-77	HVD1SS133MT
AMP	D507		nsp	00MHD20015210	DIODE	1SS133T-77	HVD1SS133MT
AMP	D508		nsp	00MHD20015210	DIODE	1SS133T-77	HVD1SS133MT
AMP	D509		90M-HD302240R	90M-HD302240R	ZENER DIODE	3.6V 1/2W	HVDMTZJ3.6BT
AMP	D510		90M-HD302240R	90M-HD302240R	ZENER DIODE	3.6V 1/2W	HVDMTZJ3.6BT
AMP	D511		90M-HD302240R	90M-HD302240R	ZENER DIODE	3.6V 1/2W	HVDMTZJ3.6BT
AMP	D512		90M-HD302240R	90M-HD302240R	ZENER DIODE	3.6V 1/2W	HVDMTZJ3.6BT
AMP	D513		nsp	00MHD20015210	DIODE	1SS133T-77	HVD1SS133MT
AMP	D514		nsp	00MHD20015210	DIODE	1SS133T-77	HVD1SS133MT
AMP	D515		nsp	00MHD20015210	DIODE	1SS133T-77	HVD1SS133MT
AMP	D516		nsp	00MHD20015210	DIODE	1SS133T-77	HVD1SS133MT

NOTE : *nsp* PART IS LISTED FOR REFERENCE ONLY, MARANTZ WILL NOT SUPPLY THESE PARTS.

P.C.B. NAME	POS. NO.	VERS. COLOR	PART NO. (FOR EUR)	PART NO. (MZ)	PART NAME	DESCRIPTION	
AMP	D601		nsp	00MHD20015210	DIODE	1SS133T-77	HVD1SS133MT
AMP	D602		nsp	00MHD20015210	DIODE	1SS133T-77	HVD1SS133MT
AMP	D603		nsp	00MHD20015210	DIODE	1SS133T-77	HVD1SS133MT
AMP	D604		nsp	00MHD20015210	DIODE	1SS133T-77	HVD1SS133MT
AMP	D605		nsp	00MHD20015210	DIODE	1SS133T-77	HVD1SS133MT
AMP	D606		nsp	00MHD20015210	DIODE	1SS133T-77	HVD1SS133MT
AMP	D607		nsp	00MHD20015210	DIODE	1SS133T-77	HVD1SS133MT
AMP	D608		nsp	00MHD20015210	DIODE	1SS133T-77	HVD1SS133MT
AMP	D609		90M-HD302240R	90M-HD302240R	ZENER DIODE	3.6V 1/2W	HVDMTZJ3.6BT
AMP	D610		90M-HD302240R	90M-HD302240R	ZENER DIODE	3.6V 1/2W	HVDMTZJ3.6BT
AMP	D611		90M-HD302240R	90M-HD302240R	ZENER DIODE	3.6V 1/2W	HVDMTZJ3.6BT
AMP	D612		90M-HD302240R	90M-HD302240R	ZENER DIODE	3.6V 1/2W	HVDMTZJ3.6BT
AMP	D613		nsp	00MHD20015210	DIODE	1SS133T-77	HVD1SS133MT
AMP	D614		nsp	00MHD20015210	DIODE	1SS133T-77	HVD1SS133MT
AMP	D615		nsp	00MHD20015210	DIODE	1SS133T-77	HVD1SS133MT
AMP	D616		nsp	00MHD20015210	DIODE	1SS133T-77	HVD1SS133MT
AMP	D701		nsp	00MHD20015210	DIODE	1SS133T-77	HVD1SS133MT
AMP	D703		nsp	00MHD20015210	DIODE	1SS133T-77	HVD1SS133MT
AMP	D705		nsp	00MHD20015210	DIODE	1SS133T-77	HVD1SS133MT
AMP	D707		nsp	00MHD20015210	DIODE	1SS133T-77	HVD1SS133MT
AMP	D709		90M-HD302240R	90M-HD302240R	ZENER DIODE	3.6V 1/2W	HVDMTZJ3.6BT
AMP	D710		90M-HD302240R	90M-HD302240R	ZENER DIODE	3.6V 1/2W	HVDMTZJ3.6BT
AMP	D713		nsp	00MHD20015210	DIODE	1SS133T-77	HVD1SS133MT
AMP	D715		nsp	00MHD20015210	DIODE	1SS133T-77	HVD1SS133MT
AMP	▲ D801		90M-HE200250R	90M-HE200250R	DIODE	! GBJ1504	HVDGBJ1504
AMP	D802		nsp	nsp	CORD	SN95/PB5, 0.6	C3A206
AMP	D803		nsp	nsp	CORD	SN95/PB5, 0.6	C3A206
AMP	IC41		00MHC10053090	00MHC10053090	IC	NJM2068DD	HVINJM2068DD
AMP	IC51		00MHC10053090	00MHC10053090	IC	NJM2068DD	HVINJM2068DD
AMP	IC61		00MHC10053090	00MHC10053090	IC	NJM2068DD	HVINJM2068DD
AMP	IC71		00MHC10053090	00MHC10053090	IC	NJM2068DD	HVINJM2068DD
AMP	J200		nsp	nsp	CORD	SN95/PB5, 0.6	C3A206
AMP	J202		nsp	nsp	CORD	SN95/PB5, 0.6	C3A206
AMP	J203		nsp	nsp	CORD	SN95/PB5, 0.6	C3A206
AMP	J204		nsp	nsp	CORD	SN95/PB5, 0.6	C3A206
AMP	J205		nsp	nsp	CORD	SN95/PB5, 0.6	C3A206
AMP	J206		nsp	nsp	CORD	SN95/PB5, 0.6	C3A206
AMP	J207		nsp	nsp	CORD	SN95/PB5, 0.6	C3A206
AMP	J208		nsp	nsp	CORD	SN95/PB5, 0.6	C3A206
AMP	J209		nsp	nsp	CORD	SN95/PB5, 0.6	C3A206
AMP	J210		nsp	nsp	CORD	SN95/PB5, 0.6	C3A206
AMP	J211		nsp	nsp	CORD	SN95/PB5, 0.6	C3A206
AMP	J212		nsp	nsp	CORD	SN95/PB5, 0.6	C3A206
AMP	J213		nsp	nsp	CORD	SN95/PB5, 0.6	C3A206
AMP	J214		nsp	nsp	CORD	SN95/PB5, 0.6	C3A206
AMP	J215		nsp	nsp	CORD	SN95/PB5, 0.6	C3A206
AMP	J216		nsp	nsp	CORD	SN95/PB5, 0.6	C3A206
AMP	J217		nsp	nsp	CORD	SN95/PB5, 0.6	C3A206
AMP	J218		nsp	nsp	CORD	SN95/PB5, 0.6	C3A206
AMP	J219		nsp	nsp	CORD	SN95/PB5, 0.6	C3A206
AMP	J220		nsp	nsp	CORD	SN95/PB5, 0.6	C3A206
AMP	J221		nsp	nsp	CORD	SN95/PB5, 0.6	C3A206
AMP	J222		nsp	nsp	CORD	SN95/PB5, 0.6	C3A206
AMP	J223		nsp	nsp	CORD	SN95/PB5, 0.6	C3A206
AMP	J224		nsp	nsp	CORD	SN95/PB5, 0.6	C3A206
AMP	J225		nsp	nsp	CORD	SN95/PB5, 0.6	C3A206
AMP	J226		nsp	nsp	CORD	SN95/PB5, 0.6	C3A206
AMP	J227		nsp	nsp	CORD	SN95/PB5, 0.6	C3A206
AMP	J228		nsp	nsp	CORD	SN95/PB5, 0.6	C3A206
AMP	J229		nsp	nsp	CORD	SN95/PB5, 0.6	C3A206
AMP	J230		nsp	nsp	CORD	SN95/PB5, 0.6	C3A206
AMP	J231		nsp	nsp	CORD	SN95/PB5, 0.6	C3A206
AMP	J232		nsp	nsp	CORD	SN95/PB5, 0.6	C3A206
AMP	J233		nsp	nsp	CORD	SN95/PB5, 0.6	C3A206
AMP	J234		nsp	nsp	CORD	SN95/PB5, 0.6	C3A206
AMP	J235		nsp	nsp	CORD	SN95/PB5, 0.6	C3A206
AMP	J236		nsp	nsp	CORD	SN95/PB5, 0.6	C3A206

NOTE : "nsp" PART IS LISTED FOR REFERENCE ONLY, MARANTZ WILL NOT SUPPLY THESE PARTS.

P.C.B. NAME	POS. NO.	VERS. COLOR	PART NO. (FOR EUR)	PART NO. (MZ)	PART NAME	DESCRIPTION	
AMP	J237		nsp	nsp	CORD	SN95/PB5, 0.6	C3A206
AMP	J238		nsp	nsp	CORD	SN95/PB5, 0.6	C3A206
AMP	J239		nsp	nsp	CORD	SN95/PB5, 0.6	C3A206
AMP	J240		nsp	nsp	CORD	SN95/PB5, 0.6	C3A206
AMP	J241		nsp	nsp	CORD	SN95/PB5, 0.6	C3A206
AMP	J242		nsp	nsp	CORD	SN95/PB5, 0.6	C3A206
AMP	J243		nsp	nsp	CORD	SN95/PB5, 0.6	C3A206
AMP	J244		nsp	nsp	CORD	SN95/PB5, 0.6	C3A206
AMP	J245		nsp	nsp	CORD	SN95/PB5, 0.6	C3A206
AMP	J246		nsp	nsp	CORD	SN95/PB5, 0.6	C3A206
AMP	J247		nsp	nsp	CORD	SN95/PB5, 0.6	C3A206
AMP	J248		nsp	nsp	CORD	SN95/PB5, 0.6	C3A206
AMP	J249		nsp	nsp	CORD	SN95/PB5, 0.6	C3A206
AMP	J250		nsp	nsp	CORD	SN95/PB5, 0.6	C3A206
AMP	J251		nsp	nsp	CORD	SN95/PB5, 0.6	C3A206
AMP	J252		nsp	nsp	CORD	SN95/PB5, 0.6	C3A206
AMP	J253		nsp	nsp	CORD	SN95/PB5, 0.6	C3A206
AMP	J254		nsp	nsp	CORD	SN95/PB5, 0.6	C3A206
AMP	J255		nsp	nsp	CORD	SN95/PB5, 0.6	C3A206
AMP	J256		nsp	nsp	CORD	SN95/PB5, 0.6	C3A206
AMP	J257		nsp	nsp	CORD	SN95/PB5, 0.6	C3A206
AMP	J258		nsp	nsp	CORD	SN95/PB5, 0.6	C3A206
AMP	J259		nsp	nsp	CORD	SN95/PB5, 0.6	C3A206
AMP	J260		nsp	nsp	CORD	SN95/PB5, 0.6	C3A206
AMP	J261		nsp	nsp	CORD	SN95/PB5, 0.6	C3A206
AMP	J262		nsp	nsp	CORD	SN95/PB5, 0.6	C3A206
AMP	J263		nsp	nsp	CORD	SN95/PB5, 0.6	C3A206
AMP	J264		nsp	nsp	CORD	SN95/PB5, 0.6	C3A206
AMP	J265		nsp	nsp	CORD	SN95/PB5, 0.6	C3A206
AMP	J266		nsp	nsp	CORD	SN95/PB5, 0.6	C3A206
AMP	J269		nsp	nsp	CORD	SN95/PB5, 0.6	C3A206
AMP	J270		nsp	nsp	CORD	SN95/PB5, 0.6	C3A206
AMP	J271		nsp	nsp	CORD	SN95/PB5, 0.6	C3A206
AMP	J272		nsp	nsp	CORD	SN95/PB5, 0.6	C3A206
AMP	J273		nsp	nsp	CORD	SN95/PB5, 0.6	C3A206
AMP	J274		nsp	nsp	CORD	SN95/PB5, 0.6	C3A206
AMP	J275		nsp	nsp	CORD	SN95/PB5, 0.6	C3A206
AMP	J277		nsp	nsp	CORD	SN95/PB5, 0.6	C3A206
AMP	J278		nsp	nsp	CORD	SN95/PB5, 0.6	C3A206
AMP	J279		nsp	nsp	CORD	SN95/PB5, 0.6	C3A206
AMP	J280		nsp	nsp	CORD	SN95/PB5, 0.6	C3A206
AMP	J281		nsp	nsp	CORD	SN95/PB5, 0.6	C3A206
AMP	J282		nsp	nsp	CORD	SN95/PB5, 0.6	C3A206
AMP	J284		nsp	nsp	CORD	SN95/PB5, 0.6	C3A206
AMP	J285		nsp	nsp	CORD	SN95/PB5, 0.6	C3A206
AMP	J286		nsp	nsp	CORD	SN95/PB5, 0.6	C3A206
AMP	J287		nsp	nsp	CORD	SN95/PB5, 0.6	C3A206
AMP	J288		nsp	nsp	CORD	SN95/PB5, 0.6	C3A206
AMP	J289		nsp	nsp	CORD	SN95/PB5, 0.6	C3A206
AMP	J290		nsp	nsp	CORD	SN95/PB5, 0.6	C3A206
AMP	J291		nsp	nsp	CORD	SN95/PB5, 0.6	C3A206
AMP	J292		nsp	nsp	CORD	SN95/PB5, 0.6	C3A206
AMP	J293		nsp	nsp	CORD	SN95/PB5, 0.6	C3A206
AMP	J294		nsp	nsp	CORD	SN95/PB5, 0.6	C3A206
AMP	J295		nsp	nsp	CORD	SN95/PB5, 0.6	C3A206
AMP	J296		nsp	nsp	CORD	SN95/PB5, 0.6	C3A206
AMP	J298		nsp	nsp	CORD	SN95/PB5, 0.6	C3A206
AMP	J299		nsp	nsp	CORD	SN95/PB5, 0.6	C3A206
AMP	J300		nsp	nsp	CORD	SN95/PB5, 0.6	C3A206
AMP	J301		nsp	nsp	CORD	SN95/PB5, 0.6	C3A206
AMP	J302		nsp	nsp	CORD	SN95/PB5, 0.6	C3A206
AMP	J303		nsp	nsp	CORD	SN95/PB5, 0.6	C3A206
AMP	J304		nsp	nsp	CORD	SN95/PB5, 0.6	C3A206
AMP	J305		nsp	nsp	CORD	SN95/PB5, 0.6	C3A206
AMP	J306		nsp	nsp	CORD	SN95/PB5, 0.6	C3A206
AMP	J307		nsp	nsp	CORD	SN95/PB5, 0.6	C3A206
AMP	J308		nsp	nsp	CORD	SN95/PB5, 0.6	C3A206

NOTE : *nsp* PART IS LISTED FOR REFERENCE ONLY, MARANTZ WILL NOT SUPPLY THESE PARTS.

P.C.B. NAME	POS. NO.	VERS. COLOR	PART NO. (FOR EUR)	PART NO. (MZ)	PART NAME	DESCRIPTION	
AMP	J309		nsp	nsp	CORD	SN95/PB5, 0.6	C3A206
AMP	J310		nsp	nsp	CORD	SN95/PB5, 0.6	C3A206
AMP	J311		nsp	nsp	CORD	SN95/PB5, 0.6	C3A206
AMP	J312		nsp	nsp	CORD	SN95/PB5, 0.6	C3A206
AMP	J313		nsp	nsp	CORD	SN95/PB5, 0.6	C3A206
AMP	J316		nsp	nsp	CORD	SN95/PB5, 0.6	C3A206
AMP	J317		nsp	nsp	CORD	SN95/PB5, 0.6	C3A206
AMP	J318		nsp	nsp	CORD	SN95/PB5, 0.6	C3A206
AMP	J319		nsp	nsp	CORD	SN95/PB5, 0.6	C3A206
AMP	J320		nsp	nsp	CORD	SN95/PB5, 0.6	C3A206
AMP	J321		nsp	nsp	CORD	SN95/PB5, 0.6	C3A206
AMP	J323		nsp	nsp	CORD	SN95/PB5, 0.6	C3A206
AMP	J324		nsp	nsp	CORD	SN95/PB5, 0.6	C3A206
AMP	J325		nsp	nsp	CORD	SN95/PB5, 0.6	C3A206
AMP	J326		nsp	nsp	CORD	SN95/PB5, 0.6	C3A206
AMP	J327		nsp	nsp	CORD	SN95/PB5, 0.6	C3A206
AMP	J328		nsp	nsp	CORD	SN95/PB5, 0.6	C3A206
AMP	J330		nsp	nsp	CORD	SN95/PB5, 0.6	C3A206
AMP	J331		nsp	nsp	CORD	SN95/PB5, 0.6	C3A206
AMP	J332		nsp	nsp	CORD	SN95/PB5, 0.6	C3A206
AMP	J333		nsp	nsp	CORD	SN95/PB5, 0.6	C3A206
AMP	J334		nsp	nsp	CORD	SN95/PB5, 0.6	C3A206
AMP	J335		nsp	nsp	CORD	SN95/PB5, 0.6	C3A206
AMP	J336		nsp	nsp	CORD	SN95/PB5, 0.6	C3A206
AMP	J337		nsp	nsp	CORD	SN95/PB5, 0.6	C3A206
AMP	J338		nsp	nsp	CORD	SN95/PB5, 0.6	C3A206
AMP	J339		nsp	nsp	CORD	SN95/PB5, 0.6	C3A206
AMP	Q403		90M-HT600010R	90M-HT600010R	TRS.	TKTA1266YT	HVTKTA1266YT
AMP	Q404		90M-HT600010R	90M-HT600010R	TRS.	TKTA1266YT	HVTKTA1266YT
AMP	Q405		90M-HT800050R	90M-HT800050R	TRS.	KTC3198Y	HVTKTC3198YT
AMP	Q406		90M-HT800050R	90M-HT800050R	TRS.	KTC3198Y	HVTKTC3198YT
AMP	Q407		00MHT600121A0	00MHT600121A0	TRS.	KTA1268GR	HVTKTA1268GRT
AMP	Q408		00MHT600121A0	00MHT600121A0	TRS.	KTA1268GR	HVTKTA1268GRT
AMP	Q409		00MHT600121A0	00MHT600121A0	TRS.	KTA1268GR	HVTKTA1268GRT
AMP	Q410		00MHT600121A0	00MHT600121A0	TRS.	KTA1268GR	HVTKTA1268GRT
AMP	Q411		00MHT800931A0	00MHT800931A0	TRS.	KTC3200GR	HVTKTC3200GRT
AMP	Q412		00MHT800931A0	00MHT800931A0	TRS.	KTC3200GR	HVTKTC3200GRT
AMP	Q413		00MHT800931A0	00MHT800931A0	TRS.	KTC3200GR	HVTKTC3200GRT
AMP	Q414		00MHT800931A0	00MHT800931A0	TRS.	KTC3200GR	HVTKTC3200GRT
AMP	Q415		90M-HT600030R	90M-HT600030R	TRS.	KTA1024Y	HVTKTA1024YT
AMP	Q416		90M-HT600030R	90M-HT600030R	TRS.	KTA1024Y	HVTKTA1024YT
AMP	Q417		00MHT800941B0	00MHT800941B0	TRS.	KTC3206Y	HVTKTC3206YAT
AMP	Q418		00MHT800941B0	00MHT800941B0	TRS.	KTC3206Y	HVTKTC3206YAT
AMP	▲ Q419		00MHC20002080	00MHC20002080	IC	! SAP17NLFNO.552	HVISAP17N
AMP	▲ Q420		00MHC20002080	00MHC20002080	IC	! SAP17NLFNO.552	HVISAP17N
AMP	▲ Q421		00MHC20001080	00MHC20001080	IC	! SAP17PLFNO.552	HVISAP17P
AMP	▲ Q422		00MHC20001080	00MHC20001080	IC	! SAP17PLFNO.552	HVISAP17P
AMP	Q423		00MHT800931A0	00MHT800931A0	TRS.	KTC3200GR	HVTKTC3200GRT
AMP	Q424		00MHT800931A0	00MHT800931A0	TRS.	KTC3200GR	HVTKTC3200GRT
AMP	Q503		90M-HT600010R	90M-HT600010R	TRS.	TKTA1266YT	HVTKTA1266YT
AMP	Q504		90M-HT600010R	90M-HT600010R	TRS.	TKTA1266YT	HVTKTA1266YT
AMP	Q505		90M-HT800050R	90M-HT800050R	TRS.	KTC3198Y	HVTKTC3198YT
AMP	Q506		90M-HT800050R	90M-HT800050R	TRS.	KTC3198Y	HVTKTC3198YT
AMP	Q507		00MHT600121A0	00MHT600121A0	TRS.	KTA1268GR	HVTKTA1268GRT
AMP	Q508		00MHT600121A0	00MHT600121A0	TRS.	KTA1268GR	HVTKTA1268GRT
AMP	Q509		00MHT600121A0	00MHT600121A0	TRS.	KTA1268GR	HVTKTA1268GRT
AMP	Q510		00MHT600121A0	00MHT600121A0	TRS.	KTA1268GR	HVTKTA1268GRT
AMP	Q511		00MHT800931A0	00MHT800931A0	TRS.	KTC3200GR	HVTKTC3200GRT
AMP	Q512		00MHT800931A0	00MHT800931A0	TRS.	KTC3200GR	HVTKTC3200GRT
AMP	Q513		00MHT800931A0	00MHT800931A0	TRS.	KTC3200GR	HVTKTC3200GRT
AMP	Q514		00MHT800931A0	00MHT800931A0	TRS.	KTC3200GR	HVTKTC3200GRT
AMP	Q515		90M-HT600030R	90M-HT600030R	TRS.	KTA1024Y	HVTKTA1024YT
AMP	Q516		90M-HT600030R	90M-HT600030R	TRS.	KTA1024Y	HVTKTA1024YT
AMP	Q517		00MHT800941B0	00MHT800941B0	TRS.	KTC3206Y	HVTKTC3206YAT
AMP	Q518		00MHT800941B0	00MHT800941B0	TRS.	KTC3206Y	HVTKTC3206YAT
AMP	▲ Q519		00MHC20002080	00MHC20002080	IC	! SAP17NLFNO.552	HVISAP17N
AMP	▲ Q520		00MHC20002080	00MHC20002080	IC	! SAP17NLFNO.552	HVISAP17N

NOTE : "nsp" PART IS LISTED FOR REFERENCE ONLY, MARANTZ WILL NOT SUPPLY THESE PARTS.

P.C.B. NAME	POS. NO.	VERS. COLOR	PART NO. (FOR EUR)	PART NO. (MZ)	PART NAME	DESCRIPTION
AMP	▲ Q521		00MHC20001080	00MHC20001080	IC	! SAP17PLFNO.552 HVISAP17P
AMP	▲ Q522		00MHC20001080	00MHC20001080	IC	! SAP17PLFNO.552 HVISAP17P
AMP	Q523		00MHT800931A0	00MHT800931A0	TRS.	KTC3200GR HVTKTC3200GRT
AMP	Q524		00MHT800931A0	00MHT800931A0	TRS.	KTC3200GR HVTKTC3200GRT
AMP	Q603		90M-HT600010R	90M-HT600010R	TRS.	TKTA1266YT HVTKTA1266YT
AMP	Q604		90M-HT600010R	90M-HT600010R	TRS.	TKTA1266YT HVTKTA1266YT
AMP	Q605		90M-HT800050R	90M-HT800050R	TRS.	KTC3198Y HVTKTC3198YT
AMP	Q606		90M-HT800050R	90M-HT800050R	TRS.	KTC3198Y HVTKTC3198YT
AMP	Q607		00MHT600121A0	00MHT600121A0	TRS.	KTA1268GR HVTKTA1268GRT
AMP	Q608		00MHT600121A0	00MHT600121A0	TRS.	KTA1268GR HVTKTA1268GRT
AMP	Q609		00MHT600121A0	00MHT600121A0	TRS.	KTA1268GR HVTKTA1268GRT
AMP	Q610		00MHT600121A0	00MHT600121A0	TRS.	KTA1268GR HVTKTA1268GRT
AMP	Q611		00MHT800931A0	00MHT800931A0	TRS.	KTC3200GR HVTKTC3200GRT
AMP	Q612		00MHT800931A0	00MHT800931A0	TRS.	KTC3200GR HVTKTC3200GRT
AMP	Q613		00MHT800931A0	00MHT800931A0	TRS.	KTC3200GR HVTKTC3200GRT
AMP	Q614		00MHT800931A0	00MHT800931A0	TRS.	KTC3200GR HVTKTC3200GRT
AMP	Q615		90M-HT600030R	90M-HT600030R	TRS.	KTA1024Y HVTKTA1024YT
AMP	Q616		90M-HT600030R	90M-HT600030R	TRS.	KTA1024Y HVTKTA1024YT
AMP	Q617		00MHT800941B0	00MHT800941B0	TRS.	KTC3206Y HVTKTC3206YAT
AMP	Q618		00MHT800941B0	00MHT800941B0	TRS.	KTC3206Y HVTKTC3206YAT
AMP	▲ Q619		00MHC20002080	00MHC20002080	IC	! SAP17NLFNO.552 HVISAP17N
AMP	▲ Q620		00MHC20002080	00MHC20002080	IC	! SAP17NLFNO.552 HVISAP17N
AMP	▲ Q621		00MHC20001080	00MHC20001080	IC	! SAP17PLFNO.552 HVISAP17P
AMP	▲ Q622		00MHC20001080	00MHC20001080	IC	! SAP17PLFNO.552 HVISAP17P
AMP	Q623		00MHT800931A0	00MHT800931A0	TRS.	KTC3200GR HVTKTC3200GRT
AMP	Q624		00MHT800931A0	00MHT800931A0	TRS.	KTC3200GR HVTKTC3200GRT
AMP	Q703		90M-HT600010R	90M-HT600010R	TRS.	TKTA1266YT HVTKTA1266YT
AMP	Q705		90M-HT800050R	90M-HT800050R	TRS.	KTC3198Y HVTKTC3198YT
AMP	Q707		00MHT600121A0	00MHT600121A0	TRS.	KTA1268GR HVTKTA1268GRT
AMP	Q709		00MHT600121A0	00MHT600121A0	TRS.	KTA1268GR HVTKTA1268GRT
AMP	Q711		00MHT800931A0	00MHT800931A0	TRS.	KTC3200GR HVTKTC3200GRT
AMP	Q713		00MHT800931A0	00MHT800931A0	TRS.	KTC3200GR HVTKTC3200GRT
AMP	Q715		90M-HT600030R	90M-HT600030R	TRS.	KTA1024Y HVTKTA1024YT
AMP	Q717		00MHT800941B0	00MHT800941B0	TRS.	KTC3206Y HVTKTC3206YAT
AMP	▲ Q719		00MHC20002080	00MHC20002080	IC	! SAP17NLFNO.552 HVISAP17N
AMP	▲ Q721		00MHC20001080	00MHC20001080	IC	! SAP17PLFNO.552 HVISAP17P
AMP	Q723		00MHT800931A0	00MHT800931A0	TRS.	KTC3200GR HVTKTC3200GRT
AMP	Q801		90M-HT800050R	90M-HT800050R	TRS.	KTC3198Y HVTKTC3198YT
AMP	Q802		90M-HT800050R	90M-HT800050R	TRS.	KTC3198Y HVTKTC3198YT
AMP	Q803		00MBA20001000	00MBA20001000	TRS.	KRC102M HVTKRC102MT
AMP	Q804		90M-BA001450R	90M-BA001450R	TRS.	KRA107M HVTKRA107MT
AMP	Q805		00MHT800931A0	00MHT800931A0	TRS.	KTC3200GR HVTKTC3200GRT
AMP	Q806		00MHT800931A0	00MHT800931A0	TRS.	KTC3200GR HVTKTC3200GRT
AMP	Q807		00MHT600121A0	00MHT600121A0	TRS.	KTA1268GR HVTKTA1268GRT
AMP	R401		nsp	nsp	RES.	33K OHM 1/5W J CRD20TJ333T
AMP	R402		nsp	nsp	RES.	33K OHM 1/5W J CRD20TJ333T
AMP	R403		nsp	nsp	RES.	1K OHM 1/5W J CRD20TJ102T
AMP	R404		nsp	nsp	RES.	1K OHM 1/5W J CRD20TJ102T
AMP	R405		nsp	nsp	RES.	100 OHM 1/5W J CRD20TJ101T
AMP	R406		nsp	nsp	RES.	100 OHM 1/5W J CRD20TJ101T
AMP	R407		nsp	nsp	RES.	10K OHM 1/5W J CRD20TJ103T
AMP	R408		nsp	nsp	RES.	10K OHM 1/5W J CRD20TJ103T
AMP	R409		nsp	nsp	RES.	10K OHM 1/5W J CRD20TJ103T
AMP	R410		nsp	nsp	RES.	10K OHM 1/5W J CRD20TJ103T
AMP	R411		nsp	nsp	RES.	470 OHM 1/5W J CRD20TJ471T
AMP	R412		nsp	nsp	RES.	470 OHM 1/5W J CRD20TJ471T
AMP	R413		nsp	nsp	RES.	470 OHM 1/5W J CRD20TJ471T
AMP	R414		nsp	nsp	RES.	470 OHM 1/5W J CRD20TJ471T
AMP	R415		nsp	nsp	RES.	68 OHM 1/5W J CRD20TJ680T
AMP	R416		nsp	nsp	RES.	68 OHM 1/5W J CRD20TJ680T
AMP	R417		nsp	nsp	RES.	68 OHM 1/5W J CRD20TJ680T
AMP	R418		nsp	nsp	RES.	68 OHM 1/5W J CRD20TJ680T
AMP	R419		00MNB51514240	00MNB51514240	RES.	LT24001/6S J HRT16C1512400JT
AMP	R420		00MNB51514240	00MNB51514240	RES.	LT24001/6S J HRT16C1512400JT
AMP	R421		00MNB51514240	00MNB51514240	RES.	LT24001/6S J HRT16C1512400JT
AMP	R422		00MNB51514240	00MNB51514240	RES.	LT24001/6S J HRT16C1512400JT
AMP	R423		nsp	nsp	RES.	330K OHM 1/6W J CRD20TJ334T

NOTE : *nsp* PART IS LISTED FOR REFERENCE ONLY, MARANTZ WILL NOT SUPPLY THESE PARTS.

P.C.B. NAME	POS. NO.	VERS. COLOR	PART NO. (FOR EUR)	PART NO. (MZ)	PART NAME	DESCRIPTION
AMP	R424		nsp	nsp	RES.	330K OHM 1/6W J CRD20TJ334T
AMP	R425		nsp	nsp	RES.	330K OHM 1/6W J CRD20TJ334T
AMP	R426		nsp	nsp	RES.	330K OHM 1/6W J CRD20TJ334T
AMP	R427		nsp	nsp	RES.	100 OHM 1/5W J CRD20TJ101T
AMP	R428		nsp	nsp	RES.	100 OHM 1/5W J CRD20TJ101T
AMP	R429		nsp	nsp	RES.	100 OHM 1/5W J CRD20TJ101T
AMP	R430		nsp	nsp	RES.	100 OHM 1/5W J CRD20TJ101T
AMP	R431		nsp	nsp	RES.	10 OHM 1/4W J CRD25TJ100T
AMP	R432		nsp	nsp	RES.	10 OHM 1/4W J CRD25TJ100T
AMP	R433		nsp	nsp	RES.	10 OHM 1/4W J CRD25TJ100T
AMP	R434		nsp	nsp	RES.	10 OHM 1/4W J CRD25TJ100T
AMP	R435		nsp	nsp	RES.	27 OHM 1/6W J CRD20TJ270T
AMP	R436		nsp	nsp	RES.	27 OHM 1/6W J CRD20TJ270T
AMP	R439		nsp	nsp	RES.	120 OHM 1W J KRG1SANJ121RT
AMP	R440		nsp	nsp	RES.	120 OHM 1W J KRG1SANJ121RT
AMP	R441		nsp	nsp	RES.	120 OHM 1W J KRG1SANJ121RT
AMP	R442		nsp	nsp	RES.	120 OHM 1W J KRG1SANJ121RT
AMP	R443		nsp	nsp	RES.	120 OHM 1W J KRG1SANJ121RT
AMP	R444		nsp	nsp	RES.	120 OHM 1W J KRG1SANJ121RT
AMP	R445		nsp	nsp	RES.	47 OHM 1W J KRG1SANJ470RT
AMP	R446		nsp	nsp	RES.	47 OHM 1W J KRG1SANJ470RT
AMP	R449		nsp	nsp	RES.	15 OHM 1/6W J CRD20TJ150T
AMP	R450		nsp	nsp	RES.	15 OHM 1/6W J CRD20TJ150T
AMP	R451		nsp	nsp	RES.	10 OHM 1/5W J CRD20TJ100T
AMP	R452		nsp	nsp	RES.	10 OHM 1/5W J CRD20TJ100T
AMP	R453		nsp	nsp	RES.	1K OHM 1/5W J CRD20TJ102T
AMP	R454		nsp	nsp	RES.	1K OHM 1/5W J CRD20TJ102T
AMP	R455		nsp	nsp	RES.	1K OHM 1/5W J CRD20TJ102T
AMP	R456		nsp	nsp	RES.	1K OHM 1/5W J CRD20TJ102T
AMP	R457		nsp	nsp	RES.	680 OHM 1/5W J CRD20TJ681T
AMP	R458		nsp	nsp	RES.	680 OHM 1/5W J CRD20TJ681T
AMP	R459		nsp	nsp	RES.	39K OHM 1/5W J CRD20TJ393T
AMP	R460		nsp	nsp	RES.	39K OHM 1/5W J CRD20TJ393T
AMP	R461		nsp	nsp	RES.	39K OHM 1/5W J CRD20TJ393T
AMP	R462		nsp	nsp	RES.	39K OHM 1/5W J CRD20TJ393T
AMP	R463		nsp	nsp	RES.	22K OHM 1/5W J CRD20TJ223T
AMP	R464		nsp	nsp	RES.	22K OHM 1/5W J CRD20TJ223T
AMP	R465		nsp	nsp	RES.	620 OHM 1/5W J CRD20TJ621T
AMP	R466		nsp	nsp	RES.	620 OHM 1/5W J CRD20TJ621T
AMP	R467		nsp	nsp	RES.	33K OHM 1/5W J CRD20TJ333T
AMP	R468		nsp	nsp	RES.	33K OHM 1/5W J CRD20TJ333T
AMP	R469		nsp	nsp	RES.	22K OHM 1/5W J CRD20TJ223T
AMP	R470		nsp	nsp	RES.	22K OHM 1/5W J CRD20TJ223T
AMP	R501		nsp	nsp	RES.	33K OHM 1/5W J CRD20TJ333T
AMP	R502		nsp	nsp	RES.	33K OHM 1/5W J CRD20TJ333T
AMP	R503		nsp	nsp	RES.	1K OHM 1/5W J CRD20TJ102T
AMP	R504		nsp	nsp	RES.	1K OHM 1/5W J CRD20TJ102T
AMP	R505		nsp	nsp	RES.	100 OHM 1/5W J CRD20TJ101T
AMP	R506		nsp	nsp	RES.	100 OHM 1/5W J CRD20TJ101T
AMP	R507		nsp	nsp	RES.	10K OHM 1/5W J CRD20TJ103T
AMP	R508		nsp	nsp	RES.	10K OHM 1/5W J CRD20TJ103T
AMP	R509		nsp	nsp	RES.	10K OHM 1/5W J CRD20TJ103T
AMP	R510		nsp	nsp	RES.	10K OHM 1/5W J CRD20TJ103T
AMP	R511		nsp	nsp	RES.	470 OHM 1/5W J CRD20TJ471T
AMP	R512		nsp	nsp	RES.	470 OHM 1/5W J CRD20TJ471T
AMP	R513		nsp	nsp	RES.	470 OHM 1/5W J CRD20TJ471T
AMP	R514		nsp	nsp	RES.	470 OHM 1/5W J CRD20TJ471T
AMP	R515		nsp	nsp	RES.	68 OHM 1/5W J CRD20TJ680T
AMP	R516		nsp	nsp	RES.	68 OHM 1/5W J CRD20TJ680T
AMP	R517		nsp	nsp	RES.	68 OHM 1/5W J CRD20TJ680T
AMP	R518		nsp	nsp	RES.	68 OHM 1/5W J CRD20TJ680T
AMP	R519		00MNB51514240	00MNB51514240	RES.	LT24001/6S J HRT16C1512400JT
AMP	R520		00MNB51514240	00MNB51514240	RES.	LT24001/6S J HRT16C1512400JT
AMP	R521		00MNB51514240	00MNB51514240	RES.	LT24001/6S J HRT16C1512400JT
AMP	R522		00MNB51514240	00MNB51514240	RES.	LT24001/6S J HRT16C1512400JT
AMP	R523		nsp	nsp	RES.	330K OHM 1/6W J CRD20TJ334T
AMP	R524		nsp	nsp	RES.	330K OHM 1/6W J CRD20TJ334T

NOTE : "nsp" PART IS LISTED FOR REFERENCE ONLY, MARANTZ WILL NOT SUPPLY THESE PARTS.

P.C.B. NAME	POS. NO.	VERS. COLOR	PART NO. (FOR EUR)	PART NO. (MZ)	PART NAME	DESCRIPTION
AMP	R525		nsp	nsp	RES.	330K OHM 1/6W J CRD20TJ334T
AMP	R526		nsp	nsp	RES.	330K OHM 1/6W J CRD20TJ334T
AMP	R527		nsp	nsp	RES.	100 OHM 1/5W J CRD20TJ101T
AMP	R528		nsp	nsp	RES.	100 OHM 1/5W J CRD20TJ101T
AMP	R529		nsp	nsp	RES.	100 OHM 1/5W J CRD20TJ101T
AMP	R530		nsp	nsp	RES.	100 OHM 1/5W J CRD20TJ101T
AMP	R531		nsp	nsp	RES.	10 OHM 1/4W J CRD25TJ100T
AMP	R532		nsp	nsp	RES.	10 OHM 1/4W J CRD25TJ100T
AMP	R533		nsp	nsp	RES.	10 OHM 1/4W J CRD25TJ100T
AMP	R534		nsp	nsp	RES.	10 OHM 1/4W J CRD25TJ100T
AMP	R535		nsp	nsp	RES.	27 OHM 1/6W J CRD20TJ270T
AMP	R536		nsp	nsp	RES.	27 OHM 1/6W J CRD20TJ270T
AMP	R539		nsp	nsp	RES.	120 OHM 1W J KRG1SANJ121RT
AMP	R540		nsp	nsp	RES.	120 OHM 1W J KRG1SANJ121RT
AMP	R541		nsp	nsp	RES.	120 OHM 1W J KRG1SANJ121RT
AMP	R542		nsp	nsp	RES.	120 OHM 1W J KRG1SANJ121RT
AMP	R543		nsp	nsp	RES.	120 OHM 1W J KRG1SANJ121RT
AMP	R544		nsp	nsp	RES.	120 OHM 1W J KRG1SANJ121RT
AMP	R545		nsp	nsp	RES.	47 OHM 1W J KRG1SANJ470RT
AMP	R546		nsp	nsp	RES.	47 OHM 1W J KRG1SANJ470RT
AMP	R549		nsp	nsp	RES.	15 OHM 1/6W J CRD20TJ150T
AMP	R550		nsp	nsp	RES.	15 OHM 1/6W J CRD20TJ150T
AMP	R551		nsp	nsp	RES.	10 OHM 1/5W J CRD20TJ100T
AMP	R552		nsp	nsp	RES.	10 OHM 1/5W J CRD20TJ100T
AMP	R553		nsp	nsp	RES.	1K OHM 1/5W J CRD20TJ102T
AMP	R554		nsp	nsp	RES.	1K OHM 1/5W J CRD20TJ102T
AMP	R555		nsp	nsp	RES.	1K OHM 1/5W J CRD20TJ102T
AMP	R556		nsp	nsp	RES.	1K OHM 1/5W J CRD20TJ102T
AMP	R557		nsp	nsp	RES.	680 OHM 1/5W J CRD20TJ681T
AMP	R558		nsp	nsp	RES.	680 OHM 1/5W J CRD20TJ681T
AMP	R559		nsp	nsp	RES.	39K OHM 1/5W J CRD20TJ393T
AMP	R560		nsp	nsp	RES.	39K OHM 1/5W J CRD20TJ393T
AMP	R561		nsp	nsp	RES.	39K OHM 1/5W J CRD20TJ393T
AMP	R562		nsp	nsp	RES.	39K OHM 1/5W J CRD20TJ393T
AMP	R563		nsp	nsp	RES.	22K OHM 1/5W J CRD20TJ223T
AMP	R564		nsp	nsp	RES.	22K OHM 1/5W J CRD20TJ223T
AMP	R565		nsp	nsp	RES.	620 OHM 1/5W J CRD20TJ621T
AMP	R566		nsp	nsp	RES.	620 OHM 1/5W J CRD20TJ621T
AMP	R567		nsp	nsp	RES.	33K OHM 1/5W J CRD20TJ333T
AMP	R568		nsp	nsp	RES.	33K OHM 1/5W J CRD20TJ333T
AMP	R569		nsp	nsp	RES.	22K OHM 1/5W J CRD20TJ223T
AMP	R570		nsp	nsp	RES.	22K OHM 1/5W J CRD20TJ223T
AMP	R601		nsp	nsp	RES.	33K OHM 1/5W J CRD20TJ333T
AMP	R602		nsp	nsp	RES.	33K OHM 1/5W J CRD20TJ333T
AMP	R603		nsp	nsp	RES.	1K OHM 1/5W J CRD20TJ102T
AMP	R604		nsp	nsp	RES.	1K OHM 1/5W J CRD20TJ102T
AMP	R605		nsp	nsp	RES.	100 OHM 1/5W J CRD20TJ101T
AMP	R606		nsp	nsp	RES.	100 OHM 1/5W J CRD20TJ101T
AMP	R607		nsp	nsp	RES.	10K OHM 1/5W J CRD20TJ103T
AMP	R608		nsp	nsp	RES.	10K OHM 1/5W J CRD20TJ103T
AMP	R609		nsp	nsp	RES.	10K OHM 1/5W J CRD20TJ103T
AMP	R610		nsp	nsp	RES.	10K OHM 1/5W J CRD20TJ103T
AMP	R611		nsp	nsp	RES.	470 OHM 1/5W J CRD20TJ471T
AMP	R612		nsp	nsp	RES.	470 OHM 1/5W J CRD20TJ471T
AMP	R613		nsp	nsp	RES.	470 OHM 1/5W J CRD20TJ471T
AMP	R614		nsp	nsp	RES.	470 OHM 1/5W J CRD20TJ471T
AMP	R615		nsp	nsp	RES.	68 OHM 1/5W J CRD20TJ680T
AMP	R616		nsp	nsp	RES.	68 OHM 1/5W J CRD20TJ680T
AMP	R617		nsp	nsp	RES.	68 OHM 1/5W J CRD20TJ680T
AMP	R618		nsp	nsp	RES.	68 OHM 1/5W J CRD20TJ680T
AMP	R619		00MNB51514240	00MNB51514240	RES.	LT24001/6S J HRT16C1512400JT
AMP	R620		00MNB51514240	00MNB51514240	RES.	LT24001/6S J HRT16C1512400JT
AMP	R621		00MNB51514240	00MNB51514240	RES.	LT24001/6S J HRT16C1512400JT
AMP	R622		00MNB51514240	00MNB51514240	RES.	LT24001/6S J HRT16C1512400JT
AMP	R623		nsp	nsp	RES.	330K OHM 1/6W J CRD20TJ334T
AMP	R624		nsp	nsp	RES.	330K OHM 1/6W J CRD20TJ334T
AMP	R625		nsp	nsp	RES.	330K OHM 1/6W J CRD20TJ334T

NOTE : *nsp* PART IS LISTED FOR REFERENCE ONLY, MARANTZ WILL NOT SUPPLY THESE PARTS.

P.C.B. NAME	POS. NO.	VERS. COLOR	PART NO. (FOR EUR)	PART NO. (MZ)	PART NAME	DESCRIPTION
AMP	R626		nsp	nsp	RES.	330K OHM 1/6W J CRD20TJ334T
AMP	R627		nsp	nsp	RES.	100 OHM 1/5W J CRD20TJ101T
AMP	R628		nsp	nsp	RES.	100 OHM 1/5W J CRD20TJ101T
AMP	R629		nsp	nsp	RES.	100 OHM 1/5W J CRD20TJ101T
AMP	R630		nsp	nsp	RES.	100 OHM 1/5W J CRD20TJ101T
AMP	R631		nsp	nsp	RES.	10 OHM 1/4W J CRD25TJ100T
AMP	R632		nsp	nsp	RES.	10 OHM 1/4W J CRD25TJ100T
AMP	R633		nsp	nsp	RES.	10 OHM 1/4W J CRD25TJ100T
AMP	R634		nsp	nsp	RES.	10 OHM 1/4W J CRD25TJ100T
AMP	R635		nsp	nsp	RES.	27 OHM 1/6W J CRD20TJ270T
AMP	R636		nsp	nsp	RES.	27 OHM 1/6W J CRD20TJ270T
AMP	R639		nsp	nsp	RES.	120 OHM 1W J KRG1SANJ121RT
AMP	R640		nsp	nsp	RES.	120 OHM 1W J KRG1SANJ121RT
AMP	R641		nsp	nsp	RES.	120 OHM 1W J KRG1SANJ121RT
AMP	R642		nsp	nsp	RES.	120 OHM 1W J KRG1SANJ121RT
AMP	R643		nsp	nsp	RES.	120 OHM 1W J KRG1SANJ121RT
AMP	R644		nsp	nsp	RES.	120 OHM 1W J KRG1SANJ121RT
AMP	R645		nsp	nsp	RES.	47 OHM 1W J KRG1SANJ470RT
AMP	R646		nsp	nsp	RES.	47 OHM 1W J KRG1SANJ470RT
AMP	R649		nsp	nsp	RES.	15 OHM 1/6W J CRD20TJ150T
AMP	R650		nsp	nsp	RES.	15 OHM 1/6W J CRD20TJ150T
AMP	R651		nsp	nsp	RES.	10 OHM 1/5W J CRD20TJ100T
AMP	R652		nsp	nsp	RES.	10 OHM 1/5W J CRD20TJ100T
AMP	R653		nsp	nsp	RES.	1K OHM 1/5W J CRD20TJ102T
AMP	R654		nsp	nsp	RES.	1K OHM 1/5W J CRD20TJ102T
AMP	R655		nsp	nsp	RES.	1K OHM 1/5W J CRD20TJ102T
AMP	R656		nsp	nsp	RES.	1K OHM 1/5W J CRD20TJ102T
AMP	R657		nsp	nsp	RES.	680 OHM 1/5W J CRD20TJ681T
AMP	R658		nsp	nsp	RES.	680 OHM 1/5W J CRD20TJ681T
AMP	R659		nsp	nsp	RES.	39K OHM 1/5W J CRD20TJ393T
AMP	R660		nsp	nsp	RES.	39K OHM 1/5W J CRD20TJ393T
AMP	R661		nsp	nsp	RES.	39K OHM 1/5W J CRD20TJ393T
AMP	R662		nsp	nsp	RES.	39K OHM 1/5W J CRD20TJ393T
AMP	R663		nsp	nsp	RES.	22K OHM 1/5W J CRD20TJ223T
AMP	R664		nsp	nsp	RES.	22K OHM 1/5W J CRD20TJ223T
AMP	R665		nsp	nsp	RES.	620 OHM 1/5W J CRD20TJ621T
AMP	R666		nsp	nsp	RES.	620 OHM 1/5W J CRD20TJ621T
AMP	R667		nsp	nsp	RES.	33K OHM 1/5W J CRD20TJ333T
AMP	R668		nsp	nsp	RES.	33K OHM 1/5W J CRD20TJ333T
AMP	R669		nsp	nsp	RES.	22K OHM 1/5W J CRD20TJ223T
AMP	R670		nsp	nsp	RES.	22K OHM 1/5W J CRD20TJ223T
AMP	R701		nsp	nsp	RES.	33K OHM 1/5W J CRD20TJ333T
AMP	R703		nsp	nsp	RES.	1K OHM 1/5W J CRD20TJ102T
AMP	R706		nsp	nsp	RES.	100 OHM 1/5W J CRD20TJ101T
AMP	R707		nsp	nsp	RES.	10K OHM 1/5W J CRD20TJ103T
AMP	R709		nsp	nsp	RES.	10K OHM 1/5W J CRD20TJ103T
AMP	R711		nsp	nsp	RES.	470 OHM 1/5W J CRD20TJ471T
AMP	R713		nsp	nsp	RES.	470 OHM 1/5W J CRD20TJ471T
AMP	R715		nsp	nsp	RES.	68 OHM 1/5W J CRD20TJ680T
AMP	R717		nsp	nsp	RES.	68 OHM 1/5W J CRD20TJ680T
AMP	R719		00MNB51514240	00MNB51514240	RES.	LT24001/6S J HRT16C1512400JT
AMP	R721		00MNB51514240	00MNB51514240	RES.	LT24001/6S J HRT16C1512400JT
AMP	R723		nsp	nsp	RES.	330K OHM 1/6W J CRD20TJ334T
AMP	R725		nsp	nsp	RES.	330K OHM 1/6W J CRD20TJ334T
AMP	R727		nsp	nsp	RES.	100 OHM 1/5W J CRD20TJ101T
AMP	R729		nsp	nsp	RES.	100 OHM 1/5W J CRD20TJ101T
AMP	R731		nsp	nsp	RES.	10 OHM 1/4W J CRD25TJ100T
AMP	R733		nsp	nsp	RES.	10 OHM 1/4W J CRD25TJ100T
AMP	R735		nsp	nsp	RES.	27 OHM 1/6W J CRD20TJ270T
AMP	R739		nsp	nsp	RES.	120 OHM 1W J KRG1SANJ121RT
AMP	R741		nsp	nsp	RES.	120 OHM 1W J KRG1SANJ121RT
AMP	R743		nsp	nsp	RES.	120 OHM 1W J KRG1SANJ121RT
AMP	R745		nsp	nsp	RES.	47 OHM 1W J KRG1SANJ470RT
AMP	R749		nsp	nsp	RES.	15 OHM 1/6W J CRD20TJ150T
AMP	R751		nsp	nsp	RES.	10 OHM 1/5W J CRD20TJ100T
AMP	R753		nsp	nsp	RES.	1K OHM 1/5W J CRD20TJ102T
AMP	R755		nsp	nsp	RES.	1K OHM 1/5W J CRD20TJ102T

NOTE : "nsp" PART IS LISTED FOR REFERENCE ONLY, MARANTZ WILL NOT SUPPLY THESE PARTS.

P.C.B. NAME	POS. NO.	VERS. COLOR	PART NO. (FOR EUR)	PART NO. (MZ)	PART NAME	DESCRIPTION
AMP	R757		nsp	nsp	RES.	680 OHM 1/5W J CRD20TJ681T
AMP	R759		nsp	nsp	RES.	39K OHM 1/5W J CRD20TJ393T
AMP	R761		nsp	nsp	RES.	39K OHM 1/5W J CRD20TJ393T
AMP	R763		nsp	nsp	RES.	22K OHM 1/5W J CRD20TJ223T
AMP	R767		nsp	nsp	RES.	33K OHM 1/5W J CRD20TJ333T
AMP	R770		nsp	nsp	RES.	22K OHM 1/5W J CRD20TJ223T
AMP	R785		nsp	nsp	RES.	620 OHM 1/5W J CRD20TJ621T
AMP	R801		nsp	nsp	RES.	68K OHM 1/5W J CRD20TJ683T
AMP	R802		nsp	nsp	RES.	68K OHM 1/5W J CRD20TJ683T
AMP	R803		nsp	nsp	RES.	68K OHM 1/5W J CRD20TJ683T
AMP	R804		nsp	nsp	RES.	68K OHM 1/5W J CRD20TJ683T
AMP	R805		nsp	nsp	RES.	68K OHM 1/5W J CRD20TJ683T
AMP	R806		nsp	nsp	RES.	68K OHM 1/5W J CRD20TJ683T
AMP	R807		nsp	nsp	RES.	68K OHM 1/5W J CRD20TJ683T
AMP	R810		nsp	nsp	RES.	15K OHM 1/5W J CRD20TJ153T
AMP	R811		nsp	nsp	RES.	10K OHM 1/5W J CRD20TJ103T
AMP	R812		nsp	nsp	RES.	10K OHM 1/5W J CRD20TJ103T
AMP	R813		nsp	nsp	RES.	10K OHM 1/5W J CRD20TJ103T
AMP	R814		nsp	nsp	RES.	4.7K OHM 1/5W J CRD20TJ472T
AMP	R815		nsp	nsp	RES.	15K OHM 1/5W J CRD20TJ153T
AMP	R816		nsp	nsp	RES.	5.6K OHM 1/5W J CRD20TJ562T
AMP	R818		nsp	nsp	RES.	100 OHM 1/5W J CRD20TJ101T
AMP	R819		nsp	nsp	RES.	100 OHM 1/5W J CRD20TJ101T
AMP	R820		nsp	nsp	RES.	33K OHM 1/5W J CRD20TJ333T
AMP	R821		nsp	nsp	RES.	4.7K OHM 1/5W J CRD20TJ472T
AMP	R822		nsp	nsp	RES.	24K OHM 1/5W J CRD20TJ243T
AMP	R823		nsp	nsp	RES.	6.8K OHM 1/5W J CRD20TJ682T
AMP	R824		nsp	nsp	CORD	SN95/PB5, 0.6 C3A206
AMP	TH81		90M-HP000080R	90M-HP000080R	VARISTOR	PTFM04BD222Q2N34B0 BRTPTFM04BD222Q
AMP	VR41		90M-RA001090R	90M-RA001090R	TRIM. RES.	220 OHM HVN1RE221B01T
AMP	VR42		90M-RA001090R	90M-RA001090R	TRIM. RES.	220 OHM HVN1RE221B01T
AMP	VR51		90M-RA001090R	90M-RA001090R	TRIM. RES.	220 OHM HVN1RE221B01T
AMP	VR52		90M-RA001090R	90M-RA001090R	TRIM. RES.	220 OHM HVN1RE221B01T
AMP	VR61		90M-RA001090R	90M-RA001090R	TRIM. RES.	220 OHM HVN1RE221B01T
AMP	VR62		90M-RA001090R	90M-RA001090R	TRIM. RES.	220 OHM HVN1RE221B01T
AMP	VR71		90M-RA001090R	90M-RA001090R	TRIM. RES.	220 OHM HVN1RE221B01T
					COMPONENT PWB (CUP11828Y)	
COMPO.	BK11		nsp	nsp	BRACKET	BRACKET PWB CMD1A387
COMPO.	BK12		nsp	nsp	BRACKET	BRACKET PWB CMD1A387
COMPO.	BN41		nsp	nsp	CORD	WIRE ASSY CWB1B906140EN
COMPO.	C901		nsp	00MOA47602520	ELECT CAP.	47UF 25V CCEA1EH470T
COMPO.	C902		nsp	00MOA47602520	ELECT CAP.	47UF 25V CCEA1EH470T
COMPO.	C903		nsp	00MOA47602520	ELECT CAP.	47UF 25V CCEA1EH470T
COMPO.	C904		nsp	00MOA47602520	ELECT CAP.	47UF 25V CCEA1EH470T
COMPO.	C905		nsp	00MOA47602520	ELECT CAP.	47UF 25V CCEA1EH470T
COMPO.	C906		nsp	00MOA47602520	ELECT CAP.	47UF 25V CCEA1EH470T
COMPO.	C907		nsp	nsp	CER. CAP.	0.01UF 50V Z HCBS1H103ZFT
COMPO.	C908		nsp	00MOA47602520	ELECT CAP.	47UF 25V CCEA1EH470T
COMPO.	C909		nsp	00MOA47602520	ELECT CAP.	47UF 25V CCEA1EH470T
COMPO.	C910		nsp	nsp	CER. CAP.	0.01UF 50V Z HCBS1H103ZFT
COMPO.	C911		nsp	00MOA47602520	ELECT CAP.	47UF 25V CCEA1EH470T
COMPO.	C912		nsp	nsp	CER. CAP.	0.01UF 50V Z HCBS1H103ZFT
COMPO.	C913		nsp	00MOA47602520	ELECT CAP.	47UF 25V CCEA1EH470T
COMPO.	C914		nsp	nsp	CER. CAP.	0.01UF 50V Z HCBS1H103ZFT
COMPO.	C937		nsp	00MOA47701020	ELECT CAP.	470UF 10V CCEA1AH471T
COMPO.	C938		nsp	nsp	CER. CAP.	0.01UF 50V Z HCBS1H103ZFT
COMPO.	C939		nsp	00MOA47701020	ELECT CAP.	470UF 10V CCEA1AH471T
COMPO.	C940		nsp	nsp	CER. CAP.	0.01UF 50V Z HCBS1H103ZFT
COMPO.	C941		nsp	00MOA47701020	ELECT CAP.	470UF 10V CCEA1AH471T
COMPO.	C942		nsp	nsp	CER. CAP.	0.01UF 50V Z HCBS1H103ZFT
COMPO.	C943		nsp	nsp	CER. CAP.	0.01UF 50V Z HCBS1H103ZFT
COMPO.	C945		nsp	nsp	CER. CAP.	0.01UF 50V Z HCBS1H103ZFT
COMPO.	C946		nsp	nsp	CER. CAP.	0.01UF 50V Z HCBS1H103ZFT
COMPO.	C947		nsp	00MOA10701620	ELECT CAP.	100UF 16V CCEA1CH101T
COMPO.	C948		nsp	nsp	CER. CAP.	0.01UF 50V Z HCBS1H103ZFT
COMPO.	C949		nsp	00MOA10701620	ELECT CAP.	100UF 16V CCEA1CH101T
COMPO.	C950		nsp	nsp	CER. CAP.	0.01UF 50V Z HCBS1H103ZFT

NOTE : *nsp* PART IS LISTED FOR REFERENCE ONLY, MARANTZ WILL NOT SUPPLY THESE PARTS.

P.C.B. NAME	POS. NO.	VERS. COLOR	PART NO. (FOR EUR)	PART NO. (MZ)	PART NAME	DESCRIPTION	
COMPO.	C951		nsp	00MOA10605020	ELECT CAP.	10UF 50V	CCEA1HH100T
COMPO.	C952		nsp	00MOA10605020	ELECT CAP.	10UF 50V	CCEA1HH100T
COMPO.	C953		nsp	00MOA10605020	ELECT CAP.	10UF 50V	CCEA1HH100T
COMPO.	C954		nsp	nsp	CER. CAP.	0.01UF 50V Z	HCBS1H103ZFT
COMPO.	C955		nsp	00MOA47602520	ELECT CAP.	47UF 25V	CCEA1EH470T
COMPO.	C956		nsp	00MOA47602520	ELECT CAP.	47UF 25V	CCEA1EH470T
COMPO.	C957		nsp	00MOA47602520	ELECT CAP.	47UF 25V	CCEA1EH470T
COMPO.	C970		nsp	nsp	CER. CAP.	15PF 50V J	CCBS1H150JCT
COMPO.	C971		nsp	nsp	CER. CAP.	15PF 50V J	CCBS1H150JCT
COMPO.	C972		nsp	nsp	CER. CAP.	15PF 50V J	CCBS1H150JCT
COMPO.	CN42		nsp	nsp	CONN.	9P WAFER CARD CABLE	CJP07GA117ZY
COMPO.	IC91		00MHC10229090	00MHC10229090	IC	NJM2584D VIDEO	HVINJM2584D
COMPO.	IC94		90M-HC108960R	90M-HC108960R	IC	NJM2586L	HVINJM2586L
COMPO.	J901		nsp	nsp	CORD	SN95/PB5, 0.6	C3A206
COMPO.	J902		nsp	nsp	CORD	SN95/PB5, 0.6	C3A206
COMPO.	J903		nsp	nsp	CORD	SN95/PB5, 0.6	C3A206
COMPO.	J904		nsp	nsp	CORD	SN95/PB5, 0.6	C3A206
COMPO.	J905		nsp	nsp	CORD	SN95/PB5, 0.6	C3A206
COMPO.	J906		nsp	nsp	CORD	SN95/PB5, 0.6	C3A206
COMPO.	J908		nsp	nsp	CORD	SN95/PB5, 0.6	C3A206
COMPO.	J909		nsp	nsp	CORD	SN95/PB5, 0.6	C3A206
COMPO.	J910		nsp	nsp	CORD	SN95/PB5, 0.6	C3A206
COMPO.	J911		nsp	nsp	CORD	SN95/PB5, 0.6	C3A206
COMPO.	J912		nsp	nsp	CORD	SN95/PB5, 0.6	C3A206
COMPO.	J913		nsp	nsp	CORD	SN95/PB5, 0.6	C3A206
COMPO.	J914		nsp	nsp	CORD	SN95/PB5, 0.6	C3A206
COMPO.	J915		nsp	nsp	CORD	SN95/PB5, 0.6	C3A206
COMPO.	J916		nsp	nsp	CORD	SN95/PB5, 0.6	C3A206
COMPO.	J917		nsp	nsp	CORD	SN95/PB5, 0.6	C3A206
COMPO.	J918		nsp	nsp	CORD	SN95/PB5, 0.6	C3A206
COMPO.	J919		nsp	nsp	CORD	SN95/PB5, 0.6	C3A206
COMPO.	J920		nsp	nsp	CORD	SN95/PB5, 0.6	C3A206
COMPO.	J921		nsp	nsp	CORD	SN95/PB5, 0.6	C3A206
COMPO.	J922		nsp	nsp	CORD	SN95/PB5, 0.6	C3A206
COMPO.	J928		nsp	nsp	CORD	SN95/PB5, 0.6	C3A206
COMPO.	J931		nsp	nsp	CORD	SN95/PB5, 0.6	C3A206
COMPO.	J932		nsp	nsp	CORD	SN95/PB5, 0.6	C3A206
COMPO.	JK91		90M-YT003210R	90M-YT003210R	TERMINAL	CINCH 3P G/B/R SILVER	CJJ4S030Z
COMPO.	JK92		90M-YT003210R	90M-YT003210R	TERMINAL	CINCH 3P G/B/R SILVER	CJJ4S030Z
COMPO.	JK95		90M-YT003210R	90M-YT003210R	TERMINAL	CINCH 3P G/B/R SILVER	CJJ4S030Z
COMPO.	Q901		00MHT30001000	00MHT30001000	TRS.	KTC3199Y	HVTKTC3199YT
COMPO.	Q902		00MHT600111B0	00MHT600111B0	TRS.	KTA1267Y	HVTKTA1267YT
COMPO.	R901		nsp	nsp	RES.	75 OHM 1/5W J	CRD20TJ750T
COMPO.	R902		nsp	nsp	RES.	75 OHM 1/5W J	CRD20TJ750T
COMPO.	R903		nsp	nsp	RES.	75 OHM 1/5W J	CRD20TJ750T
COMPO.	R904		nsp	nsp	RES.	1M OHM 1/5W J	CRD20TJ105T
COMPO.	R905		nsp	nsp	RES.	1M OHM 1/5W J	CRD20TJ105T
COMPO.	R906		nsp	nsp	RES.	75 OHM 1/5W J	CRD20TJ750T
COMPO.	R907		nsp	nsp	RES.	75 OHM 1/5W J	CRD20TJ750T
COMPO.	R908		nsp	nsp	RES.	75 OHM 1/5W J	CRD20TJ750T
COMPO.	R931		nsp	nsp	RES.	75 OHM 1/5W J	CRD20TJ750T
COMPO.	R932		nsp	nsp	RES.	75 OHM 1/5W J	CRD20TJ750T
COMPO.	R933		nsp	nsp	RES.	75 OHM 1/5W J	CRD20TJ750T
COMPO.	R934		nsp	nsp	RES.	1M OHM 1/5W J	CRD20TJ105T
COMPO.	R935		nsp	nsp	RES.	1M OHM 1/5W J	CRD20TJ105T
COMPO.	R936		nsp	nsp	RES.	1M OHM 1/5W J	CRD20TJ105T
COMPO.	R941		nsp	nsp	RES.	12K OHM 1/5W J	CRD20TJ123T
COMPO.	R942		nsp	nsp	RES.	10K OHM 1/5W J	CRD20TJ103T
COMPO.	R943		nsp	nsp	RES.	470 OHM 1/5W J	CRD20TJ471T
COMPO.	R945		nsp	nsp	RES.	470 OHM 1/5W J	CRD20TJ471T
COMPO.	R946		nsp	nsp	RES.	470 OHM 1/5W J	CRD20TJ471T
COMPO.	R947		nsp	nsp	RES.	10K OHM 1/5W J	CRD20TJ103T
COMPO.	R951		nsp	nsp	CORD	SN95/PB5, 0.6	C3A206
					CONVERTER PWB (CUP11829Z)		
CONVT	BN71		nsp	nsp	CONN.	MOLEX42140-2206	CJP06HA37ZM
CONVT	BN72		nsp	nsp	CONN.	MOLEX42140-2206	CJP06HA37ZM
CONVT	BN73		nsp	nsp	CONN.	MOLEX42140-2206	CJP06HA37ZM

NOTE : "nsp" PART IS LISTED FOR REFERENCE ONLY, MARANTZ WILL NOT SUPPLY THESE PARTS.

P.C.B. NAME	POS. NO.	VERS. COLOR	PART NO. (FOR EUR)	PART NO. (MZ)	PART NAME	DESCRIPTION	
CONVT	BN74		nsp	nsp	CONN.	CARDCABLE	CJP11GA117ZY
CONVT	C100		nsp	00MOA10605020	ELECT CAP.	10UF 50V	CCEA1HH100T
CONVT	C101		nsp	00MDK96103300	CER. CAP.	0.01UF 50V KC	HCUS1H103KC
CONVT	C102		nsp	00MOA10605020	ELECT CAP.	10UF 50V	CCEA1HH100T
CONVT	C103		nsp	00MDK96103300	CER. CAP.	0.01UF 50V KC	HCUS1H103KC
CONVT	C104		nsp	00MOA10605020	ELECT CAP.	10UF 50V	CCEA1HH100T
CONVT	C105		nsp	00MOA10605020	ELECT CAP.	10UF 50V	CCEA1HH100T
CONVT	C106		nsp	00MOA10605020	ELECT CAP.	10UF 50V	CCEA1HH100T
CONVT	C107		nsp	00MOA10605020	ELECT CAP.	10UF 50V	CCEA1HH100T
CONVT	C108		nsp	00MDK96103300	CER. CAP.	0.01UF 50V KC	HCUS1H103KC
CONVT	C109		nsp	00MOA10701620	ELECT CAP.	100UF 16V	CCEA1CH101T
CONVT	C110		nsp	00MDK96104300	CER. CAP.	0.1UF 25V ZF	HCUS1E104ZF
CONVT	C111		nsp	00MDK96104300	CER. CAP.	0.1UF 25V ZF	HCUS1E104ZF
CONVT	C112		nsp	00MOA10605020	ELECT CAP.	10UF 50V	CCEA1HH100T
CONVT	C113		nsp	00MDD95220300	CER. CAP.	22PF 50V JA	HCUS1H220JA
CONVT	C114		nsp	00MDD91090300	CER. CAP.	9PF 50V JA	CCUS1H9R0JA
CONVT	C115		nsp	00MDD95220300	CER. CAP.	22PF 50V JA	HCUS1H220JA
CONVT	C116		nsp	00MOA10605020	ELECT CAP.	10UF 50V	CCEA1HH100T
CONVT	C117		nsp	00MDK96103300	CER. CAP.	0.01UF 50V KC	HCUS1H103KC
CONVT	C118		nsp	00MOA10701620	ELECT CAP.	100UF 16V	CCEA1CH101T
CONVT	C119		nsp	00MDK96103300	CER. CAP.	0.01UF 50V KC	HCUS1H103KC
CONVT	C120		nsp	00MDK96103300	CER. CAP.	0.01UF 50V KC	HCUS1H103KC
CONVT	C121		nsp	00MDK96103300	CER. CAP.	0.01UF 50V KC	HCUS1H103KC
CONVT	C122		nsp	00MDK96104300	CER. CAP.	0.1UF 25V ZF	HCUS1E104ZF
CONVT	C123		nsp	00MDK96103300	CER. CAP.	0.01UF 50V KC	HCUS1H103KC
CONVT	C124		nsp	00MOA10701620	ELECT CAP.	100UF 16V	CCEA1CH101T
CONVT	C125		nsp	00MDK96103300	CER. CAP.	0.01UF 50V KC	HCUS1H103KC
CONVT	C126		nsp	00MOA10701620	ELECT CAP.	100UF 16V	CCEA1CH101T
CONVT	C127		nsp	00MDK96103300	CER. CAP.	0.01UF 50V KC	HCUS1H103KC
CONVT	C128		nsp	00MDK96103300	CER. CAP.	0.01UF 50V KC	HCUS1H103KC
CONVT	C129		nsp	00MDK96103300	CER. CAP.	0.01UF 50V KC	HCUS1H103KC
CONVT	C130		nsp	00MDD91100300	CER. CAP.	10PF 50V JA	HCUS1H100JA
CONVT	C131		nsp	00MDK96102300	CER. CAP.	1000PF 50V KB	HCUS1H102KB
CONVT	C132		nsp	00MDK96103300	CER. CAP.	0.01UF 50V KC	HCUS1H103KC
CONVT	C133		nsp	00MDD95181300	CER. CAP.	180PF 50V J	HCUS1H181JA
CONVT	C134		nsp	00MDK96103300	CER. CAP.	0.01UF 50V KC	HCUS1H103KC
CONVT	C135		nsp	00MOA10701620	ELECT CAP.	100UF 16V	CCEA1CH101T
CONVT	C136		nsp	00MOA47602520	ELECT CAP.	47UF 25V	CCEA1EH470T
CONVT	C137		nsp	00MOA10605020	ELECT CAP.	10UF 50V	CCEA1HH100T
CONVT	C138		nsp	00MDD95220300	CER. CAP.	22PF 50V JA	HCUS1H220JA
CONVT	C139		nsp	00MDK96103300	CER. CAP.	0.01UF 50V KC	HCUS1H103KC
CONVT	C140		nsp	00MDD91090300	CER. CAP.	9PF 50V JA	CCUS1H9R0JA
CONVT	C141		nsp	00MDD95220300	CER. CAP.	22PF 50V JA	HCUS1H220JA
CONVT	C142		nsp	00MDK96104300	CER. CAP.	0.1UF 25V ZF	HCUS1E104ZF
CONVT	C143		nsp	00MDK96103300	CER. CAP.	0.01UF 50V KC	HCUS1H103KC
CONVT	C144		nsp	00MDD95220300	CER. CAP.	22PF 50V JA	HCUS1H220JA
CONVT	C145		nsp	00MDD91090300	CER. CAP.	9PF 50V JA	CCUS1H9R0JA
CONVT	C146		nsp	00MDD95220300	CER. CAP.	22PF 50V JA	HCUS1H220JA
CONVT	C147		nsp	00MDK96104300	CER. CAP.	0.1UF 25V ZF	HCUS1E104ZF
CONVT	C148		nsp	00MOA10605020	ELECT CAP.	10UF 50V	CCEA1HH100T
CONVT	C149		nsp	00MOA10701620	ELECT CAP.	100UF 16V	CCEA1CH101T
CONVT	C150		nsp	00MDK96103300	CER. CAP.	0.01UF 50V KC	HCUS1H103KC
CONVT	C151		nsp	00MDK96104300	CER. CAP.	0.1UF 25V ZF	HCUS1E104ZF
CONVT	C152		nsp	00MOA10605020	ELECT CAP.	10UF 50V	CCEA1HH100T
CONVT	C153	/N1B	nsp	00MDD91100300	CER. CAP.	10PF 50V JA	HCUS1H100JA
CONVT	C153	/N1S	nsp	00MDD91100300	CER. CAP.	10PF 50V JA	HCUS1H100JA
CONVT	C154		nsp	00MDD91100300	CER. CAP.	10PF 50V JA	HCUS1H100JA
CONVT	C155		nsp	00MDK96224200	CER. CAP.	0.22UF 16V ZF	HCUS1C224ZF
CONVT	C156		nsp	00MDK96222300	CER. CAP.	2200PF 50V KC	HCUS1H222KC
CONVT	C157		nsp	00MDK96103300	CER. CAP.	0.01UF 50V KC	HCUS1H103KC
CONVT	C158		nsp	00MOA22505020	ELECT CAP.	2.2UF 50V	CCEA1HH2R2T
CONVT	C159		nsp	00MDK96104300	CER. CAP.	0.1UF 25V ZF	HCUS1E104ZF
CONVT	C160		nsp	00MDK98223300	CER. CAP.	0.022UF 50V KC	HCUS1H223KC
CONVT	C161		nsp	00MOA22505020	ELECT CAP.	2.2UF 50V	CCEA1HH2R2T
CONVT	C162		nsp	00MOA47602520	ELECT CAP.	47UF 25V	CCEA1EH470T
CONVT	C163		nsp	00MDK96103300	CER. CAP.	0.01UF 50V KC	HCUS1H103KC
CONVT	C164		nsp	00MOA47602520	ELECT CAP.	47UF 25V	CCEA1EH470T

NOTE : *nsp* PART IS LISTED FOR REFERENCE ONLY, MARANTZ WILL NOT SUPPLY THESE PARTS.

P.C.B. NAME	POS. NO.	VERS. COLOR	PART NO. (FOR EUR)	PART NO. (MZ)	PART NAME	DESCRIPTION	
CONVT	C165		nsp	00MDK96103300	CER. CAP.	0.01UF 50V KC	HCUS1H103KC
CONVT	C166		nsp	00MDK96104300	CER. CAP.	0.1UF 25V ZF	HCUS1E104ZF
CONVT	C167		nsp	00MDK96104300	CER. CAP.	0.1UF 25V ZF	HCUS1E104ZF
CONVT	C168		nsp	00MDK96104300	CER. CAP.	0.1UF 25V ZF	HCUS1E104ZF
CONVT	C169		nsp	00MDK96104300	CER. CAP.	0.1UF 25V ZF	HCUS1E104ZF
CONVT	C170		nsp	00MDK96104300	CER. CAP.	0.1UF 25V ZF	HCUS1E104ZF
CONVT	C171		nsp	00MDK96104300	CER. CAP.	0.1UF 25V ZF	HCUS1E104ZF
CONVT	C172		nsp	00MDK96104300	CER. CAP.	0.1UF 25V ZF	HCUS1E104ZF
CONVT	C173		nsp	00MDK96103300	CER. CAP.	0.01UF 50V KC	HCUS1H103KC
CONVT	C174		nsp	00MOA10701620	ELECT CAP.	100UF 16V	CCEA1CH101T
CONVT	C175		nsp	00MDK96102300	CER. CAP.	1000PF 50V KB	HCUS1H102KB
CONVT	C176		nsp	00MDK96104300	CER. CAP.	0.1UF 25V ZF	HCUS1E104ZF
CONVT	C217		nsp	00MDK96104300	CER. CAP.	0.1UF 25V ZF	HCUS1E104ZF
CONVT	C218		nsp	00MOA47602520	ELECT CAP.	47UF 25V	CCEA1EH470T
CONVT	CN71		nsp	nsp	CONN.	9P WAFER CARD CABLE	CJP07GA117ZY
CONVT	IC11		90M-HC108830R	90M-HC108830R	IC	NJM2285M	HVINJM2285MTE1
CONVT	IC12		90M-HC108840R	90M-HC108840R	IC	TC90A49F	HVITC90A49F
CONVT	IC13		90M-HC108850R	90M-HC108850R	IC	R59-4174	HVIMM1511XNRE
CONVT	IC14		90M-HC108810R	90M-HC108810R	IC	TA1270BF	HVITA1270BF
CONVT	IC15		90M-HC900040R	90M-HC900040R	IC	KIA7809AF	HVIKIA7809AF
CONVT	IC16		90M-HC400060R	90M-HC400060R	IC	TC74HC4094AFN	HVITC74HC4094FN
CONVT	L100		nsp	nsp	COIL	22UH,K	HLQ02C220KT
CONVT	L101		nsp	nsp	COIL	10UH,K	HLQ02C100KT
CONVT	L102		nsp	nsp	COIL	10UH,K	HLQ02C100KT
CONVT	L103		nsp	nsp	COIL	10UH,K	HLQ02C100KT
CONVT	L104		nsp	nsp	COIL	10UH,K	HLQ02C100KT
CONVT	L105		nsp	nsp	COIL	22UH,K	HLQ02C220KT
CONVT	L106		nsp	nsp	COIL	22UH,K	HLQ02C220KT
CONVT	Q100		90M-HT600050R	90M-HT600050R	TRS.	KTA2014GR	HVTKTA2014GR
CONVT	Q101		90M-HT600050R	90M-HT600050R	TRS.	KTA2014GR	HVTKTA2014GR
CONVT	Q102		90M-HT800110R	90M-HT800110R	CHIP TRS.	KTC4075GR	HVTKTC4075GR
CONVT	Q103		90M-HT600050R	90M-HT600050R	TRS.	KTA2014GR	HVTKTA2014GR
CONVT	Q104		90M-HT800110R	90M-HT800110R	CHIP TRS.	KTC4075GR	HVTKTC4075GR
CONVT	Q105		90M-HT600050R	90M-HT600050R	TRS.	KTA2014GR	HVTKTA2014GR
CONVT	Q106		90M-HT800110R	90M-HT800110R	CHIP TRS.	KTC4075GR	HVTKTC4075GR
CONVT	Q107		90M-HT600050R	90M-HT600050R	TRS.	KTA2014GR	HVTKTA2014GR
CONVT	Q108		90M-HT800110R	90M-HT800110R	CHIP TRS.	KTC4075GR	HVTKTC4075GR
CONVT	Q109		90M-HT600050R	90M-HT600050R	TRS.	KTA2014GR	HVTKTA2014GR
CONVT	Q110		90M-HT800110R	90M-HT800110R	CHIP TRS.	KTC4075GR	HVTKTC4075GR
CONVT	Q111		90M-HT600050R	90M-HT600050R	TRS.	KTA2014GR	HVTKTA2014GR
CONVT	R100		nsp	00MNN05182610	CHIP RES.	1.8K OHM 1/10W J	HRJ10DJ182T
CONVT	R101		nsp	00MNN05102610	CHIP RES.	1K OHM 1/10W J	HRJ10DJ102T
CONVT	R102		nsp	00MNN05000610	CHIP RES.	0 OHM 1/10W J	HRJ10DJ0R0T
CONVT	R103		nsp	00MNN05102610	CHIP RES.	1K OHM 1/10W J	HRJ10DJ102T
CONVT	R104		nsp	00MNN05182610	CHIP RES.	1.8K OHM 1/10W J	HRJ10DJ182T
CONVT	R105		nsp	00MNN05102610	CHIP RES.	1K OHM 1/10W J	HRJ10DJ102T
CONVT	R106		nsp	00MNN05000610	CHIP RES.	0 OHM 1/10W J	HRJ10DJ0R0T
CONVT	R107		nsp	00MNN05102610	CHIP RES.	1K OHM 1/10W J	HRJ10DJ102T
CONVT	R108		nsp	00MNN05105610	CHIP RES.	1M OHM 1/10W J	HRJ10DJ105T
CONVT	R109		nsp	00MNN05105610	CHIP RES.	1M OHM 1/10W J	HRJ10DJ105T
CONVT	R110		nsp	00MNN05105610	CHIP RES.	1M OHM 1/10W J	HRJ10DJ105T
CONVT	R111		nsp	00MNN05105610	CHIP RES.	1M OHM 1/10W J	HRJ10DJ105T
CONVT	R112		nsp	00MNN05224610	CHIP RES.	220K OHM 1/10W J	HRJ10DJ224T
CONVT	R113		nsp	00MNN05222610	CHIP RES.	2.2K OHM 1/10W J	HRJ10DJ222T
CONVT	R114		nsp	00MNN05102610	CHIP RES.	1K OHM 1/10W J	HRJ10DJ102T
CONVT	R115		nsp	00MNN05102610	CHIP RES.	1K OHM 1/10W J	HRJ10DJ102T
CONVT	R116		nsp	00MNN05222610	CHIP RES.	2.2K OHM 1/10W J	HRJ10DJ222T
CONVT	R117		nsp	00MNN05101610	CHIP RES.	100 OHM 1/10W J	HRJ10DJ101T
CONVT	R118		nsp	00MNN05101610	CHIP RES.	100 OHM 1/10W J	HRJ10DJ101T
CONVT	R119		nsp	00MNN05821610	CHIP RES.	820 OHM 1/10W J	HRJ10DJ821T
CONVT	R120		nsp	00MNN05123610	CHIP RES.	12K OHM 1/10W J	HRJ10DJ123T
CONVT	R121		nsp	00MNN05103610	CHIP RES.	10K OHM 1/10W J	HRJ10DJ103T
CONVT	R122		nsp	00MNN05471610	CHIP RES.	470 OHM 1/10W J	HRJ10DJ471T
CONVT	R123		nsp	00MNN05471610	CHIP RES.	470 OHM 1/10W J	HRJ10DJ471T
CONVT	R124		nsp	00MNN05471610	CHIP RES.	470 OHM 1/10W J	HRJ10DJ471T
CONVT	R125		nsp	00MNN05103610	CHIP RES.	10K OHM 1/10W J	HRJ10DJ103T
CONVT	R126		nsp	00MNN05102610	CHIP RES.	1K OHM 1/10W J	HRJ10DJ102T

NOTE : "nsp" PART IS LISTED FOR REFERENCE ONLY, MARANTZ WILL NOT SUPPLY THESE PARTS.

P.C.B. NAME	POS. NO.	VERS. COLOR	PART NO. (FOR EUR)	PART NO. (MZ)	PART NAME	DESCRIPTION	
CONVT	R127		nsp	00MNN05102610	CHIP RES.	1K OHM 1/10W J	HRJ10DJ102T
CONVT	R128		nsp	00MNN05471610	CHIP RES.	470 OHM 1/10W J	HRJ10DJ471T
CONVT	R129		nsp	00MNN05471610	CHIP RES.	470 OHM 1/10W J	HRJ10DJ471T
CONVT	R130		nsp	00MNN05471610	CHIP RES.	470 OHM 1/10W J	HRJ10DJ471T
CONVT	R131		nsp	00MNN05103610	CHIP RES.	10K OHM 1/10W J	HRJ10DJ103T
CONVT	R132		nsp	00MNN05123610	CHIP RES.	12K OHM 1/10W J	HRJ10DJ123T
CONVT	R133		nsp	00MNN05103610	CHIP RES.	10K OHM 1/10W J	HRJ10DJ103T
CONVT	R134		nsp	00MNN05471610	CHIP RES.	470 OHM 1/10W J	HRJ10DJ471T
CONVT	R135		nsp	00MNN05471610	CHIP RES.	470 OHM 1/10W J	HRJ10DJ471T
CONVT	R136		nsp	00MNN05471610	CHIP RES.	470 OHM 1/10W J	HRJ10DJ471T
CONVT	R137		nsp	00MNN05103610	CHIP RES.	10K OHM 1/10W J	HRJ10DJ103T
CONVT	R138		nsp	00MNN05102610	CHIP RES.	1K OHM 1/10W J	HRJ10DJ102T
CONVT	R139		nsp	00MNN05102610	CHIP RES.	1K OHM 1/10W J	HRJ10DJ102T
CONVT	R140		nsp	00MNN05471610	CHIP RES.	470 OHM 1/10W J	HRJ10DJ471T
CONVT	R141		nsp	00MNN05471610	CHIP RES.	470 OHM 1/10W J	HRJ10DJ471T
CONVT	R142		nsp	00MNN05471610	CHIP RES.	470 OHM 1/10W J	HRJ10DJ471T
CONVT	R143		nsp	00MNN05103610	CHIP RES.	10K OHM 1/10W J	HRJ10DJ103T
CONVT	R144		nsp	00MNN05333610	CHIP RES.	33K OHM 1/10W J	HRJ10DJ333T
CONVT	R145		nsp	00MNN05332610	CHIP RES.	3.3K OHM 1/10W J	HRJ10DJ332T
CONVT	R146		nsp	00MNN05331610	CHIP RES.	330 OHM 1/10W J	HRJ10DJ331T
CONVT	R147		nsp	00MNN05101610	CHIP RES.	100 OHM 1/10W J	HRJ10DJ101T
CONVT	R148		nsp	00MNN05101610	CHIP RES.	100 OHM 1/10W J	HRJ10DJ101T
CONVT	R149		nsp	00MNN05101610	CHIP RES.	100 OHM 1/10W J	HRJ10DJ101T
CONVT	R200		nsp	00MNN05472610	CHIP RES.	4.7K OHM 1/10W J	HRJ10DJ472T
CONVT	R201		nsp	00MNN05472610	CHIP RES.	4.7K OHM 1/10W J	HRJ10DJ472T
CONVT	VR11		90M-RA001080R	90M-RA001080R	TRIM. RES.	RH0638C-471	HVN1RA471B01T
CONVT	VR12		90M-RA001080R	90M-RA001080R	TRIM. RES.	RH0638C-471	HVN1RA471B01T
CONVT	X100	/N1B	90M-JX001160R	90M-JX001160R	X'TAL	4.433MHZ	HOX04433E120TF
CONVT	X100	/N1S	90M-JX001160R	90M-JX001160R	X'TAL	4.433MHZ	HOX04433E120TF
CONVT	X101		90M-JX001220R	90M-JX001220R	X'TAL	3.57MHZ	H2OX03579D140TF
CONVT	X102		90M-FQ000580R	90M-FQ000580R	CER. VIB.	CERAMINC RESONATOR	HVFC5BLA503KECZ
CSP PWB (CUP11859Z)							
DSP	BC11		nsp	nsp	CORD	SN95/PB5, 0.6	C3A206
DSP	BC12		nsp	nsp	CORD	SN95/PB5, 0.6	C3A206
DSP	BN33		nsp	nsp	CONN.	7P STRAIGHT	CJP07GA19ZY
DSP	C101		nsp	00MOA47601640	ELECT CAP.	47UF 16V	CCEA1CH470T
DSP	C102		nsp	00MDK96103300	CER. CAP.	0.01UF 50V KC	HCUS1H103KC
DSP	C103		nsp	00MOA47601640	ELECT CAP.	47UF 16V	CCEA1CH470T
DSP	C104		nsp	00MDK96103300	CER. CAP.	0.01UF 50V KC	HCUS1H103KC
DSP	C105		nsp	00MOA22605020	ELECT CAP.	22UF 25V	CCEA1EH220T
DSP	C106		nsp	00MDK96104300	CER. CAP.	0.1UF 25V ZF	HCUS1E104ZF
DSP	C107		nsp	00MDD95101300	CER. CAP.	100PF 50V JA	HCUS1H101JA
DSP	C108		nsp	00MDK96104300	CER. CAP.	0.1UF 25V ZF	HCUS1E104ZF
DSP	C109		nsp	00MDD95101300	CER. CAP.	100PF 50V JA	HCUS1H101JA
DSP	C110		nsp	00MDK96104300	CER. CAP.	0.1UF 25V ZF	HCUS1E104ZF
DSP	C111		nsp	00MOA22605020	ELECT CAP.	22UF 25V	CCEA1EH220T
DSP	C112		nsp	00MDK96104300	CER. CAP.	0.1UF 25V ZF	HCUS1E104ZF
DSP	C113		nsp	00MDD95330300	CER. CAP.	33PF 50V JA	HCUS1H330JA
DSP	C114		nsp	00MDK96104300	CER. CAP.	0.1UF 25V ZF	HCUS1E104ZF
DSP	C115		nsp	00MDK96104300	CER. CAP.	0.1UF 25V ZF	HCUS1E104ZF
DSP	C116		nsp	00MDD95330300	CER. CAP.	33PF 50V JA	HCUS1H330JA
DSP	C117		nsp	00MDK96103300	CER. CAP.	0.01UF 50V KC	HCUS1H103KC
DSP	C118		nsp	00MOA47601640	ELECT CAP.	47UF 16V	CCEA1CH470T
DSP	C119		nsp	00MDK96104300	CER. CAP.	0.1UF 25V ZF	HCUS1E104ZF
DSP	C120		nsp	00MDK96104300	CER. CAP.	0.1UF 25V ZF	HCUS1E104ZF
DSP	C121		nsp	00MDK96104300	CER. CAP.	0.1UF 25V ZF	HCUS1E104ZF
DSP	C122		nsp	00MOA22605020	ELECT CAP.	22UF 25V	CCEA1EH220T
DSP	C123		nsp	00MDK96104300	CER. CAP.	0.1UF 25V ZF	HCUS1E104ZF
DSP	C124		nsp	00MDK96104300	CER. CAP.	0.1UF 25V ZF	HCUS1E104ZF
DSP	C125		nsp	00MDK98223300	CER. CAP.	0.022UF 50V KC	HCUS1H223KC
DSP	C126		nsp	00MDK96104300	CER. CAP.	0.1UF 25V ZF	HCUS1E104ZF
DSP	C127		nsp	00MOA22605020	ELECT CAP.	22UF 25V	CCEA1EH220T
DSP	C128		nsp	00MDK96104300	CER. CAP.	0.1UF 25V ZF	HCUS1E104ZF
DSP	C129		nsp	00MOA22605020	ELECT CAP.	22UF 25V	CCEA1EH220T
DSP	C130		nsp	00MDK96104300	CER. CAP.	0.1UF 25V ZF	HCUS1E104ZF
DSP	C131		nsp	00MOA22605020	ELECT CAP.	22UF 25V	CCEA1EH220T
DSP	C132		nsp	00MDD95330300	CER. CAP.	33PF 50V JA	HCUS1H330JA

NOTE : *nsp* PART IS LISTED FOR REFERENCE ONLY, MARANTZ WILL NOT SUPPLY THESE PARTS.

P.C.B. NAME	POS. NO.	VERS. COLOR	PART NO. (FOR EUR)	PART NO. (MZ)	PART NAME	DESCRIPTION	
DSP	C133		nsp	00MDD95330300	CER. CAP.	33PF 50V JA	HCUS1H330JA
DSP	C134		nsp	00MDK96104300	CER. CAP.	0.1UF 25V ZF	HCUS1E104ZF
DSP	C135		nsp	00MDD95101300	CER. CAP.	100PF 50V JA	HCUS1H101JA
DSP	C136		nsp	00MDK96104300	CER. CAP.	0.1UF 25V ZF	HCUS1E104ZF
DSP	C137		nsp	00MOA22605020	ELECT CAP.	22UF 25V	CCEA1EH220T
DSP	C138		nsp	00MOA22605020	ELECT CAP.	22UF 25V	CCEA1EH220T
DSP	C139		nsp	00MOA22605020	ELECT CAP.	22UF 25V	CCEA1EH220T
DSP	C140		nsp	00MDD95471300	CER. CAP.	470PF 50V JA	HCUS1H471JA
DSP	C141		nsp	00MDD95101300	CER. CAP.	100PF 50V JA	HCUS1H101JA
DSP	C142		nsp	00MDD95151300	CER. CAP.	150PF 50V JA	HCUS1H151JA
DSP	C143		nsp	00MDK96104300	CER. CAP.	0.1UF 25V ZF	HCUS1E104ZF
DSP	C144		nsp	00MDK96272300	CER. CAP.	2700PF 50V KC	HCUS1H272KC
DSP	C145		nsp	00MOA22605020	ELECT CAP.	22UF 25V	CCEA1EH220T
DSP	C146		nsp	00MOA22605020	ELECT CAP.	22UF 25V	CCEA1EH220T
DSP	C148		nsp	00MDD95101300	CER. CAP.	100PF 50V JA	HCUS1H101JA
DSP	C149		nsp	00MDD95151300	CER. CAP.	150PF 50V JA	HCUS1H151JA
DSP	C150		nsp	00MDK96104300	CER. CAP.	0.1UF 25V ZF	HCUS1E104ZF
DSP	C151		nsp	00MDK96272300	CER. CAP.	2700PF 50V KC	HCUS1H272KC
DSP	C152		nsp	00MOA10701620	ELECT CAP.	100UF 16V	CCEA1CH101T
DSP	C153		nsp	00MDK96104300	CER. CAP.	0.1UF 25V ZF	HCUS1E104ZF
DSP	C154		nsp	00MDD95101300	CER. CAP.	100PF 50V JA	HCUS1H101JA
DSP	C155		nsp	00MOA47601640	ELECT CAP.	47UF 16V	CCEA1CH470T
DSP	C156		nsp	00MOA47601640	ELECT CAP.	47UF 16V	CCEA1CH470T
DSP	C157		nsp	00MDK96104300	CER. CAP.	0.1UF 25V ZF	HCUS1E104ZF
DSP	C158		nsp	00MOA22605020	ELECT CAP.	22UF 25V	CCEA1EH220T
DSP	C159		nsp	00MDK96104300	CER. CAP.	0.1UF 25V ZF	HCUS1E104ZF
DSP	C160		nsp	00MOA22605020	ELECT CAP.	22UF 25V	CCEA1EH220T
DSP	C161		nsp	00MDK96104300	CER. CAP.	0.1UF 25V ZF	HCUS1E104ZF
DSP	C162		nsp	00MOA22605020	ELECT CAP.	22UF 25V	CCEA1EH220T
DSP	C163		nsp	00MDK96104300	CER. CAP.	0.1UF 25V ZF	HCUS1E104ZF
DSP	C164		nsp	00MDK96104300	CER. CAP.	0.1UF 25V ZF	HCUS1E104ZF
DSP	C165		nsp	00MOA22605020	ELECT CAP.	22UF 25V	CCEA1EH220T
DSP	C166		nsp	00MDK96104300	CER. CAP.	0.1UF 25V ZF	HCUS1E104ZF
DSP	C167		nsp	00MOA22505020	ELECT CAP.	2.2UF 50V	CCEA1HH2R2T
DSP	C168		nsp	00MDD95680300	CER. CAP.	68PF 50V JA	HCUS1H680JA
DSP	C169		nsp	00MDK96122300	CER. CAP.	1200PF 50V KC	HCUS1H122KC
DSP	C170		nsp	00MDK96103300	CER. CAP.	0.01UF 50V KC	HCUS1H103KC
DSP	C171		nsp	00MDK96105200	CER. CAP.	1UF 16V ZF	HCUS1C105ZF
DSP	C172		nsp	00MOA47601640	ELECT CAP.	47UF 16V	CCEA1CH470T
DSP	C173		nsp	00MDK96104300	CER. CAP.	0.1UF 25V ZF	HCUS1E104ZF
DSP	C174		nsp	00MDK96104300	CER. CAP.	0.1UF 25V ZF	HCUS1E104ZF
DSP	C175		nsp	00MOA22605020	ELECT CAP.	22UF 25V	CCEA1EH220T
DSP	C176		nsp	00MDK96104300	CER. CAP.	0.1UF 25V ZF	HCUS1E104ZF
DSP	C177		nsp	00MDK96104300	CER. CAP.	0.1UF 25V ZF	HCUS1E104ZF
DSP	C178		nsp	00MDK96104300	CER. CAP.	0.1UF 25V ZF	HCUS1E104ZF
DSP	C179		nsp	00MOA22605020	ELECT CAP.	22UF 25V	CCEA1EH220T
DSP	C180		nsp	00MDK96104300	CER. CAP.	0.1UF 25V ZF	HCUS1E104ZF
DSP	C181		nsp	00MOA22605020	ELECT CAP.	22UF 25V	CCEA1EH220T
DSP	C182		nsp	00MDK96104300	CER. CAP.	0.1UF 25V ZF	HCUS1E104ZF
DSP	C183		nsp	00MDK96104300	CER. CAP.	0.1UF 25V ZF	HCUS1E104ZF
DSP	C184		nsp	00MDK96104300	CER. CAP.	0.1UF 25V ZF	HCUS1E104ZF
DSP	C185		nsp	00MOA22605020	ELECT CAP.	22UF 25V	CCEA1EH220T
DSP	C186		nsp	00MDK96104300	CER. CAP.	0.1UF 25V ZF	HCUS1E104ZF
DSP	C187		nsp	00MOA22605020	ELECT CAP.	22UF 25V	CCEA1EH220T
DSP	C188		nsp	00MDK96104300	CER. CAP.	0.1UF 25V ZF	HCUS1E104ZF
DSP	C189		nsp	00MDK96104300	CER. CAP.	0.1UF 25V ZF	HCUS1E104ZF
DSP	C190		nsp	00MDK96104300	CER. CAP.	0.1UF 25V ZF	HCUS1E104ZF
DSP	C191		nsp	00MDK96104300	CER. CAP.	0.1UF 25V ZF	HCUS1E104ZF
DSP	C192		nsp	00MDK96104300	CER. CAP.	0.1UF 25V ZF	HCUS1E104ZF
DSP	C193		nsp	00MOA22605020	ELECT CAP.	22UF 25V	CCEA1EH220T
DSP	C194		nsp	00MDK96104300	CER. CAP.	0.1UF 25V ZF	HCUS1E104ZF
DSP	C195		nsp	00MOA22605020	ELECT CAP.	22UF 25V	CCEA1EH220T
DSP	C197		nsp	00MDK96104300	CER. CAP.	0.1UF 25V ZF	HCUS1E104ZF
DSP	C198		nsp	00MOA10505020	ELECT CAP.	1UF 50V	CCEA1HH1ROT
DSP	C199		nsp	00MDK96104300	CER. CAP.	0.1UF 25V ZF	HCUS1E104ZF
DSP	C200		nsp	00MOA47601640	ELECT CAP.	47UF 16V	CCEA1CH470T
DSP	C201		nsp	00MDK96104300	CER. CAP.	0.1UF 25V ZF	HCUS1E104ZF

NOTE : "nsp" PART IS LISTED FOR REFERENCE ONLY, MARANTZ WILL NOT SUPPLY THESE PARTS.

P.C.B. NAME	POS. NO.	VERS. COLOR	PART NO. (FOR EUR)	PART NO. (MZ)	PART NAME	DESCRIPTION	
DSP	C202		nsp	00MOA10701620	ELECT CAP.	100UF 16V	CCEA1CH101T
DSP	C205		nsp	00MDK96332300	CER. CAP.	3300PF 50V KC	HCUS1H332KC
DSP	C206		nsp	00MDD95471300	CER. CAP.	470PF 50V JA	HCUS1H471JA
DSP	C207		nsp	00MDK96332300	CER. CAP.	3300PF 50V KC	HCUS1H332KC
DSP	C208		nsp	00MDD95471300	CER. CAP.	470PF 50V JA	HCUS1H471JA
DSP	C209		nsp	00MDK96104300	CER. CAP.	0.1UF 25V ZF	HCUS1E104ZF
DSP	C210		nsp	00MOA22605020	ELECT CAP.	22UF 25V	CCEA1EH220T
DSP	C211		nsp	00MDK96102300	CER. CAP.	1000PF 50V KC	HCUS1H102KC
DSP	C212		nsp	00MDK96332300	CER. CAP.	3300PF 50V KC	HCUS1H332KC
DSP	C213		nsp	00MDD95471300	CER. CAP.	470PF 50V JA	HCUS1H471JA
DSP	C214		nsp	00MDK96332300	CER. CAP.	3300PF 50V KC	HCUS1H332KC
DSP	C215		nsp	00MDD95471300	CER. CAP.	470PF 50V JA	HCUS1H471JA
DSP	C216		nsp	00MDK96104300	CER. CAP.	0.1UF 25V ZF	HCUS1E104ZF
DSP	C217		nsp	00MOA22605020	ELECT CAP.	22UF 25V	CCEA1EH220T
DSP	C218		nsp	00MDK96102300	CER. CAP.	1000PF 50V KC	HCUS1H102KC
DSP	C219		nsp	00MDK96332300	CER. CAP.	3300PF 50V KC	HCUS1H332KC
DSP	C220		nsp	00MDD95471300	CER. CAP.	470PF 50V JA	HCUS1H471JA
DSP	C221		nsp	00MDK96332300	CER. CAP.	3300PF 50V KC	HCUS1H332KC
DSP	C222		nsp	00MDD95471300	CER. CAP.	470PF 50V JA	HCUS1H471JA
DSP	C223		nsp	00MDK96104300	CER. CAP.	0.1UF 25V ZF	HCUS1E104ZF
DSP	C224		nsp	00MOA22605020	ELECT CAP.	22UF 25V	CCEA1EH220T
DSP	C225		nsp	00MDK96102300	CER. CAP.	1000PF 50V KC	HCUS1H102KC
DSP	C226		nsp	00MDK96332300	CER. CAP.	3300PF 50V KC	HCUS1H332KC
DSP	C227		nsp	00MDD95471300	CER. CAP.	470PF 50V JA	HCUS1H471JA
DSP	C228		nsp	00MDK96332300	CER. CAP.	3300PF 50V KC	HCUS1H332KC
DSP	C229		nsp	00MDD95471300	CER. CAP.	470PF 50V JA	HCUS1H471JA
DSP	C230		nsp	00MDK96104300	CER. CAP.	0.1UF 25V ZF	HCUS1E104ZF
DSP	C231		nsp	00MOA22605020	ELECT CAP.	22UF 25V	CCEA1EH220T
DSP	C232		nsp	00MDK96102300	CER. CAP.	1000PF 50V KC	HCUS1H102KC
DSP	C233		nsp	00MDK96332300	CER. CAP.	3300PF 50V KC	HCUS1H332KC
DSP	C234		nsp	00MDD95471300	CER. CAP.	470PF 50V JA	HCUS1H471JA
DSP	C235		nsp	00MDK96332300	CER. CAP.	3300PF 50V KC	HCUS1H332KC
DSP	C236		nsp	00MDD95471300	CER. CAP.	470PF 50V JA	HCUS1H471JA
DSP	C237		nsp	00MDK96104300	CER. CAP.	0.1UF 25V ZF	HCUS1E104ZF
DSP	C238		nsp	00MOA22605020	ELECT CAP.	22UF 25V	CCEA1EH220T
DSP	C239		nsp	00MDK96102300	CER. CAP.	1000PF 50V KC	HCUS1H102KC
DSP	C241		nsp	00MDK96332300	CER. CAP.	3300PF 50V KC	HCUS1H332KC
DSP	C242		nsp	00MDD95471300	CER. CAP.	470PF 50V JA	HCUS1H471JA
DSP	C243		nsp	00MDK96332300	CER. CAP.	3300PF 50V KC	HCUS1H332KC
DSP	C244		nsp	00MDD95471300	CER. CAP.	470PF 50V JA	HCUS1H471JA
DSP	C245		nsp	00MDK96104300	CER. CAP.	0.1UF 25V ZF	HCUS1E104ZF
DSP	C246		nsp	00MOA22605020	ELECT CAP.	22UF 25V	CCEA1EH220T
DSP	C247		nsp	00MDK96102300	CER. CAP.	1000PF 50V KC	HCUS1H102KC
DSP	C248		nsp	00MDK96332300	CER. CAP.	3300PF 50V KC	HCUS1H332KC
DSP	C249		nsp	00MDD95471300	CER. CAP.	470PF 50V JA	HCUS1H471JA
DSP	C250		nsp	00MDK96332300	CER. CAP.	3300PF 50V KC	HCUS1H332KC
DSP	C251		nsp	00MDD95471300	CER. CAP.	470PF 50V JA	HCUS1H471JA
DSP	C252		nsp	00MDK96104300	CER. CAP.	0.1UF 25V ZF	HCUS1E104ZF
DSP	C253		nsp	00MOA22605020	ELECT CAP.	22UF 25V	CCEA1EH220T
DSP	C254		nsp	00MDK96102300	CER. CAP.	1000PF 50V KC	HCUS1H102KC
DSP	C255		nsp	00MDK96103300	CER. CAP.	0.01UF 50V KC	HCUS1H103KC
DSP	C256		nsp	00MDK96103300	CER. CAP.	0.01UF 50V KC	HCUS1H103KC
DSP	C257		nsp	00MDD95330300	CER. CAP.	33PF 50V JA	HCUS1H330JA
DSP	C258		nsp	00MDK96103300	CER. CAP.	0.01UF 50V KC	HCUS1H103KC
DSP	C259		nsp	00MDK96103300	CER. CAP.	0.01UF 50V KC	HCUS1H103KC
DSP	C260		nsp	00MDK96103300	CER. CAP.	0.01UF 50V KC	HCUS1H103KC
DSP	C261		nsp	00MDK96103300	CER. CAP.	0.01UF 50V KC	HCUS1H103KC
DSP	C262		nsp	00MDK96104300	CER. CAP.	0.1UF 25V ZF	HCUS1E104ZF
DSP	C263		nsp	00MOA47601640	ELECT CAP.	47UF 16V	CCEA1CH470T
DSP	C264		nsp	00MDK96104300	CER. CAP.	0.1UF 25V ZF	HCUS1E104ZF
DSP	C265		nsp	00MOA47601640	ELECT CAP.	47UF 16V	CCEA1CH470T
DSP	C266		nsp	00MOA47601640	ELECT CAP.	47UF 16V	CCEA1CH470T
DSP	C268		nsp	00MDK96332300	CER. CAP.	3300PF 50V KC	HCUS1H332KC
DSP	C269		nsp	00MDD95471300	CER. CAP.	470PF 50V JA	HCUS1H471JA
DSP	C270		nsp	00MDK96332300	CER. CAP.	3300PF 50V KC	HCUS1H332KC
DSP	C271		nsp	00MDD95471300	CER. CAP.	470PF 50V JA	HCUS1H471JA
DSP	C272		nsp	00MDK96104300	CER. CAP.	0.1UF 25V ZF	HCUS1E104ZF

NOTE : *nsp* PART IS LISTED FOR REFERENCE ONLY, MARANTZ WILL NOT SUPPLY THESE PARTS.

P.C.B. NAME	POS. NO.	VERS. COLOR	PART NO. (FOR EUR)	PART NO. (MZ)	PART NAME	DESCRIPTION	
DSP	C273		nsp	00MOA22605020	ELECT CAP.	22UF 25V	CCEA1EH220T
DSP	C274		nsp	00MDK96102300	CER. CAP.	1000PF 50V KC	HCUS1H102KC
DSP	C282		nsp	00MDK96104300	CER. CAP.	0.1UF 25V ZF	HCUS1E104ZF
DSP	C283		nsp	00MDK96104300	CER. CAP.	0.1UF 25V ZF	HCUS1E104ZF
DSP	C284		nsp	00MDK96104300	CER. CAP.	0.1UF 25V ZF	HCUS1E104ZF
DSP	C285		nsp	00MDK96104300	CER. CAP.	0.1UF 25V ZF	HCUS1E104ZF
DSP	C286		nsp	00MDK96104300	CER. CAP.	0.1UF 25V ZF	HCUS1E104ZF
DSP	C287		nsp	00MDK96104300	CER. CAP.	0.1UF 25V ZF	HCUS1E104ZF
DSP	C289		nsp	00MDK96104300	CER. CAP.	0.1UF 25V ZF	HCUS1E104ZF
DSP	C290		nsp	00MDK96104300	CER. CAP.	0.1UF 25V ZF	HCUS1E104ZF
DSP	C291		nsp	00MDK96104300	CER. CAP.	0.1UF 25V ZF	HCUS1E104ZF
DSP	C292		nsp	00MDK96104300	CER. CAP.	0.1UF 25V ZF	HCUS1E104ZF
DSP	C293		nsp	00MDK96104300	CER. CAP.	0.1UF 25V ZF	HCUS1E104ZF
DSP	C294		nsp	00MOA47601640	ELECT CAP.	47UF 16V	CCEA1CH470T
DSP	C299	/N1B	nsp	00MDK96104300	CER. CAP.	0.1UF 50V ZF	HCUS1H104ZF
DSP	C299	/N1S	nsp	00MDK96104300	CER. CAP.	0.1UF 50V ZF	HCUS1H104ZF
DSP	C299	/U1B	nsp	00MDK96104300	CER. CAP.	0.1UF 25V ZF	HCUS1E104ZF
DSP	C302		nsp	00MDD95330300	CER. CAP.	33PF 50V JA	HCUS1H330JA
DSP	C303		nsp	00MDK96103300	CER. CAP.	0.01UF 50V KC	CCUS1H103KC
DSP	CC11		nsp	00MDK96104300	CER. CAP.	0.1UF 25V ZF	HCUS1E104ZF
DSP	CC12		nsp	00MOA22605020	ELECT CAP.	22UF 25V	CCEA1EH220T
DSP	CC13		nsp	00MDK96104300	CER. CAP.	0.1UF 25V ZF	HCUS1E104ZF
DSP	CC14		nsp	00MDD95180300	CER. CAP.	18PF 50V JC	HCUS1H180JC
DSP	CC15		nsp	00MDK96104300	CER. CAP.	0.1UF 25V ZF	HCUS1E104ZF
DSP	CC16		nsp	00MDK96104300	CER. CAP.	0.1UF 25V ZF	HCUS1E104ZF
DSP	CC17		nsp	00MOA22605020	ELECT CAP.	22UF 25V	CCEA1EH220T
DSP	CC18		nsp	00MDK96104300	CER. CAP.	0.1UF 25V ZF	HCUS1E104ZF
DSP	CC19		nsp	00MDK98474200	CER. CAP.	0.47UF 16V ZF	HCUS1C474ZF
DSP	CC20		nsp	00MOA22605020	ELECT CAP.	22UF 25V	CCEA1EH220T
DSP	CC21		nsp	00MDK96104300	CER. CAP.	0.1UF 25V ZF	HCUS1E104ZF
DSP	CC22		nsp	00MDK96104300	CER. CAP.	0.1UF 25V ZF	HCUS1E104ZF
DSP	CC23		nsp	00MDD95220300	CER. CAP.	22PF 50V JA	HCUS1H220JA
DSP	CC24		nsp	00MDD95220300	CER. CAP.	22PF 50V JA	HCUS1H220JA
DSP	CC25		nsp	00MDK96104300	CER. CAP.	0.1UF 25V ZF	HCUS1E104ZF
DSP	CC26		nsp	00MOA22605020	ELECT CAP.	22UF 25V	CCEA1EH220T
DSP	CC27		nsp	00MDK96104300	CER. CAP.	0.1UF 25V ZF	HCUS1E104ZF
DSP	CC28		nsp	00MDK96104300	CER. CAP.	0.1UF 25V ZF	HCUS1E104ZF
DSP	CC29		nsp	00MDK96104300	CER. CAP.	0.1UF 25V ZF	HCUS1E104ZF
DSP	CC30		nsp	00MOA10701620	ELECT CAP.	100UF 16V	CCEA1CH101T
DSP	CC31		nsp	00MDK96104300	CER. CAP.	0.1UF 25V ZF	HCUS1E104ZF
DSP	CC32		nsp	00MDK96104300	CER. CAP.	0.1UF 25V ZF	HCUS1E104ZF
DSP	CC33		nsp	00MOA10701620	ELECT CAP.	100UF 16V	CCEA1CH101T
DSP	CC34		nsp	00MOA22801620	ELECT CAP.	2200UF 16V	CCEA1CH222E
DSP	CC35		nsp	00MOA22801620	ELECT CAP.	2200UF 16V	CCEA1CH222E
DSP	CC36		nsp	00MOA22701620	ELECT CAP.	220UF 16V	CCEA1CH221T
DSP	CC37		nsp	00MDK96104300	CER. CAP.	0.1UF 25V ZF	HCUS1E104ZF
DSP	CC38		nsp	00MOA10701620	ELECT CAP.	100UF 16V	CCEA1CH101T
DSP	CC39		nsp	00MDK96104300	CER. CAP.	0.1UF 25V ZF	HCUS1E104ZF
DSP	CC40		nsp	00MOA10701620	ELECT CAP.	100UF 16V	CCEA1CH101T
DSP	CC41		nsp	00MDK96104300	CER. CAP.	0.1UF 25V ZF	HCUS1E104ZF
DSP	CC42		nsp	00MOA10701620	ELECT CAP.	100UF 16V	CCEA1CH101T
DSP	CC43		nsp	00MDK96104300	CER. CAP.	0.1UF 25V ZF	HCUS1E104ZF
DSP	CC44		nsp	00MDK96104300	CER. CAP.	0.1UF 25V ZF	HCUS1E104ZF
DSP	CC45		nsp	00MDD95270300	CER. CAP.	27PF 50V JA	HCUS1H270JA
DSP	CN16		nsp	nsp	CONN.	16P WAFER CARD CABLE	CJP16GA117ZY
DSP	CN26		nsp	nsp	CONN.	19P WAFER CARD CABLE	CJP19GA117ZY
DSP	CN28		nsp	nsp	CONN.	17P WAFER CARD CABLE	CJP17GA115ZY
DSP	CN30		nsp	nsp	CONN.	MOLEX53014-0910	KJP09GA19ZM
DSP	CN34	/N1B	nsp	nsp	CONN.	17P WAFER CARD CABLE	CJP17GA115ZY
DSP	CN34	/N1S	nsp	nsp	CONN.	17P WAFER CARD CABLE	CJP17GA115ZY
DSP	CN34	/U1B	nsp	nsp	CONN.	15P WAFER CARD CABLE	CJP15GA115ZY
DSP	CN36		nsp	nsp	CONN.	11P WAFER CARD CABLE	CJP11GA117ZY
DSP	CN37		nsp	nsp	CONN.	17P WAFER CARD CABLE	CJP17GA117ZY
DSP	CN38		nsp	nsp	CONN.	13P WAFER CARD CABLE	CJP13GA117ZY
DSP	CN40		nsp	nsp	CONN.	6P STRAIGHT	CJP06GA19ZY
DSP	DC10	/N1B	nsp	90M-HD201800R	DIODE	1SS355	HVD1SS355T
DSP	DC10	/N1S	nsp	90M-HD201800R	DIODE	1SS355	HVD1SS355T

NOTE : "nsp" PART IS LISTED FOR REFERENCE ONLY, MARANTZ WILL NOT SUPPLY THESE PARTS.

P.C.B. NAME	POS. NO.	VERS. COLOR	PART NO. (FOR EUR)	PART NO. (MZ)	PART NAME	DESCRIPTION	
DSP	DC11		nsp	90M-HD201800R	DIODE	1SS355	HVD1SS355T
DSP	DC12	/U1B	nsp	90M-HD201800R	DIODE	1SS355	HVD1SS355T
DSP	DC16		nsp	90M-HD201800R	DIODE	1SS355	HVD1SS355T
DSP	DC17		nsp	90M-HD201800R	DIODE	1SS355	HVD1SS355T
DSP	DC18		nsp	90M-HD201800R	DIODE	1SS355	HVD1SS355T
DSP	DC19		90M-HI200020R	90M-HI200020R	L.E.D.	SIR-34ST3F	BVDSIR34ST3F
DSP	DC20		nsp	90M-HD201800R	DIODE	1SS355	HVD1SS355T
DSP	DC21		nsp	90M-HD201800R	DIODE	1SS355	HVD1SS355T
DSP	ET01		nsp	nsp	TERMINAL	EARTH PLATE	CNE75
DSP	ET02		nsp	nsp	TERMINAL	EARTH PLATE	CNE75
DSP	ET03		nsp	nsp	BRACKET	BRACKET SHIELD	CMD1A512
DSP	ET04		nsp	nsp	BUFFER	STOPPER IR SENSOR	CHG1A262
DSP	IC11		90M-HC700550R	90M-HC700550R	IC	TC74HCU04AFNG	HVI74HCU04AFNG
DSP	IC12		90M-HC700550R	90M-HC700550R	IC	TC74HCU04AFNG	HVI74HCU04AFNG
DSP	IC13		00MHC10418030	00MHC10418030	IC	LC89057W-VF4-E	HVILC89057WVF4E
DSP	IC14		00MHC10172090	00MHC10172090	IC	NJM2115MD OP AMP	HVINJM2115MDTE1
DSP	IC15		00MHC10172090	00MHC10172090	IC	NJM2115MD OP AMP	HVINJM2115MDTE1
DSP	IC16		00MHC10012880	00MHC10012880	IC	CS4382-KQ D/A CONVERTER	HVICS4382-KQ
DSP	IC17		90M-HC108910R	90M-HC108910R	IC	74VHC08	HVI74VHC08TTR
DSP	IC18		90M-HC108430R	90M-HC108430R	IC	TC74HC7007AFEL	HVITC74HCT7007F
DSP	IC19		00MHC10014880	00MHC10014880	IC	CS49400-CQ DECODER	HVICS49400-CQ
DSP	IC20		90M-HS08BWX0R	90M-HS08BWX0R	U-PRO	MX29LV400TTC-70, SR5500	HVIMX29LV400TTC
DSP	IC21		90M-HC108910R	90M-HC108910R	IC	74VHC08	HVI74VHC08TTR
DSP	IC22		90M-HC108930R	90M-HC108930R	IC	74LCX32	HVI74LCX32TTR
DSP	IC23		90M-HC108970R	90M-HC108970R	IC	HY57V161610ET-7	HVI57V161610ET7
DSP	IC24		00MHC10102090	00MHC10102090	IC	NJM2068MD-TE1	HVINJM2068MDTE1
DSP	IC25		00MHC10102090	00MHC10102090	IC	NJM2068MD-TE1	HVINJM2068MDTE1
DSP	IC26		00MHC10102090	00MHC10102090	IC	NJM2068MD-TE1	HVINJM2068MDTE1
DSP	IC27		00MHC10102090	00MHC10102090	IC	NJM2068MD-TE1	HVINJM2068MDTE1
DSP	IC28		90M-HS15CW10R	90M-HS15CW10R	U-PRO	HD64F2398F20, ZR6001	HVIHD64F2398F20
DSP	IC29		00MHC10099540	00MHC10099540	IC	S-80145ALMC	HVIS-80145ALMC
DSP	IC30		90M-HC108390R	90M-HC108390R	IC	AT24C08N10SC2.7	HVIAT24C08N10SC
DSP	IC31		00MHC36J33050	00MHC36J33050	IC	TA48033FTE16	HVITA48033FTE16
DSP	IC32		00MHC36J25050	00MHC36J25050	IC	TA48025FTE16	HVITA48025FTE16
DSP	IC33		90M-HC108440R	90M-HC108440R	IC	ST202EBW RS-232C	HVIST202EBW
DSP	IC34		90M-HW100710R	90M-HW100710R	PHOTO UNIT	PC-17L1CB	HVIPC17L1CB
DSP	IC35		00MHC10015880	00MHC10015880	IC	CS5361-KS A/D CONVERTER	HVICS5361-KS
DSP	IC36		90M-HW100690R	90M-HW100690R	PHOTO UNIT	RPM674CBR-S	BRVRPM6936
DSP	JK11		90M-YT004060R	90M-YT004060R	TERMINAL	YKC22-0735N	HJS9U002Z
DSP	JK12		90M-YT004060R	90M-YT004060R	TERMINAL	YKC22-0735N	HJS9U002Z
DSP	JK14		90M-YT004070R	90M-YT004070R	TERMINAL	YKC22-0734N	HJS9U001Z
DSP	JK15		90M-YT003300R	90M-YT003300R	TERMINAL	D-SUB 9P MALE	KJP09TA87WM
DSP	JK16		90M-YT003120R	90M-YT003120R	TERMINAL	CINCH 2P (GOLD) REMOTE	CJJ4N036Z
DSP	JK20		90M-YT003650R	90M-YT003650R	TERMINAL	CINCH 2P GREEN SILVER	CJJ4N071Z
DSP	JK21		90M-YT004860R	90M-YT004860R	TERMINAL	3.5MM JACK STEREO	CJJ2D008Z
DSP	L101		00MFC90020120	00MFC90020120	FERRITE CORE	BK 1608 HM 102T	HLZ92003Z
DSP	LC72		nsp	00MNN05000610	CHIP RES.	0 OHM 1/10W J	HRJ10DJ0R0T
DSP	LC79		nsp	00MNN05000610	CHIP RES.	0 OHM 1/10W J	HRJ10DJ0R0T
DSP	LC80		nsp	00MNN05000610	CHIP RES.	0 OHM 1/10W J	HRJ10DJ0R0T
DSP	LC81		nsp	00MNN05000610	CHIP RES.	0 OHM 1/10W J	HRJ10DJ0R0T
DSP	LC82		nsp	00MNN05000610	CHIP RES.	0 OHM 1/10W J	HRJ10DJ0R0T
DSP	LC83		nsp	00MNN05000610	CHIP RES.	0 OHM 1/10W J	HRJ10DJ0R0T
DSP	LD01	/N1B	nsp	00MNN05000610	CHIP RES.	0 OHM 1/10W J	HRJ10DJ0R0T
DSP	LD01	/N1S	nsp	00MNN05000610	CHIP RES.	0 OHM 1/10W J	HRJ10DJ0R0T
DSP	LD03	/U1B	nsp	00MNN05000610	CHIP RES.	0 OHM 1/10W J	HRJ10DJ0R0T
DSP	Q101		90M-HX900010R	90M-HX900010R	CHIP TRS.	KTD1304	HVTKTD1304T
DSP	Q102		90M-HX900010R	90M-HX900010R	CHIP TRS.	KTD1304	HVTKTD1304T
DSP	Q103		90M-HX600010R	90M-HX600010R	CHIP TRS.	KRA102S	HVTKRA102S
DSP	Q105		90M-HX600010R	90M-HX600010R	CHIP TRS.	KRA102S	HVTKRA102S
DSP	Q106		00MHT30001000	00MHT30001000	TRS.	KTC3199Y	HVTKTC3199YT
DSP	Q107		90M-HX600010R	90M-HX600010R	CHIP TRS.	KRA102S	HVTKRA102S
DSP	Q108		90M-HX600010R	90M-HX600010R	CHIP TRS.	KRA102S	HVTKRA102S
DSP	Q109		90M-HX600010R	90M-HX600010R	CHIP TRS.	KRA102S	HVTKRA102S
DSP	Q110		90M-HX600010R	90M-HX600010R	CHIP TRS.	KRA102S	HVTKRA102S
DSP	Q111		90M-HX600010R	90M-HX600010R	CHIP TRS.	KRA102S	HVTKRA102S
DSP	Q112		90M-HX600010R	90M-HX600010R	CHIP TRS.	KRA102S	HVTKRA102S
DSP	Q113		90M-HX600010R	90M-HX600010R	CHIP TRS.	KRA102S	HVTKRA102S

NOTE : *nsp* PART IS LISTED FOR REFERENCE ONLY, MARANTZ WILL NOT SUPPLY THESE PARTS.

P.C.B. NAME	POS. NO.	VERS. COLOR	PART NO. (FOR EUR)	PART NO. (MZ)	PART NAME	DESCRIPTION	
DSP	Q114		90M-HX800010R	90M-HX800010R	CHIP TRS.	KRC102S	HVTKRC102S
DSP	Q115		90M-HX600010R	90M-HX600010R	CHIP TRS.	KRA102S	HVTKRA102S
DSP	Q116		90M-HX800010R	90M-HX800010R	CHIP TRS.	KRC102S	HVTKRC102S
DSP	QC10		90M-HX600010R	90M-HX600010R	CHIP TRS.	KRA102S	HVTKRA102S
DSP	QC11		90M-HX800010R	90M-HX800010R	CHIP TRS.	KRC102S	HVTKRC102S
DSP	QC12		90M-HX600010R	90M-HX600010R	CHIP TRS.	KRA102S	HVTKRA102S
DSP	R101		nsp	00MNN05100610	CHIP RES.	10 OHM 1/10W J	HRJ10DJ100T
DSP	R102		nsp	00MNN05103610	CHIP RES.	10K OHM 1/10W J	CRJ10DJ103T
DSP	R103		nsp	00MNN05100610	CHIP RES.	10 OHM 1/10W J	HRJ10DJ100T
DSP	R105		nsp	00MNN05101610	CHIP RES.	100 OHM 1/10W J	HRJ10DJ101T
DSP	R106		nsp	00MNN05101610	CHIP RES.	100 OHM 1/10W J	HRJ10DJ101T
DSP	R107		nsp	00MNN05750610	CHIP RES.	75 OHM 1/10W J	HRJ10DJ750T
DSP	R108		nsp	00MNN05102610	CHIP RES.	1K OHM 1/10W J	HRJ10DJ102T
DSP	R109		nsp	00MNN05104610	CHIP RES.	100K OHM 1/10W J	HRJ10DJ104T
DSP	R110		nsp	00MNN05472610	CHIP RES.	4.7K OHM 1/10W J	HRJ10DJ472T
DSP	R111		nsp	00MNN05750610	CHIP RES.	75 OHM 1/10W J	HRJ10DJ750T
DSP	R112		nsp	00MNN05102610	CHIP RES.	1K OHM 1/10W J	HRJ10DJ102T
DSP	R113		nsp	00MNN05104610	CHIP RES.	100K OHM 1/10W J	HRJ10DJ104T
DSP	R114		nsp	00MNN05472610	CHIP RES.	4.7K OHM 1/10W J	HRJ10DJ472T
DSP	R115		nsp	00MNN05563610	CHIP RES.	56K OHM 1/10W J	HRJ10DJ563T
DSP	R117		nsp	00MNN05562610	CHIP RES.	5.6K OHM 1/10W J	HRJ10DJ562T
DSP	R118		nsp	00MNN05103610	CHIP RES.	10K OHM 1/10W J	HRJ10DJ103T
DSP	R119		nsp	00MNN05750610	CHIP RES.	75 OHM 1/10W J	HRJ10DJ750T
DSP	R120		nsp	00MNN05100610	CHIP RES.	10 OHM 1/10W J	HRJ10DJ100T
DSP	R121		nsp	00MNN05750610	CHIP RES.	75 OHM 1/10W J	HRJ10DJ750T
DSP	R122		nsp	00MNN05101610	CHIP RES.	100 OHM 1/10W J	HRJ10DJ101T
DSP	R123		nsp	00MNN05104610	CHIP RES.	100K OHM 1/10W J	HRJ10DJ104T
DSP	R124		nsp	00MNN05472610	CHIP RES.	4.7K OHM 1/10W J	HRJ10DJ472T
DSP	R125		nsp	00MNN05100610	CHIP RES.	10 OHM 1/10W J	HRJ10DJ100T
DSP	R126		nsp	00MNN05100610	CHIP RES.	10 OHM 1/10W J	HRJ10DJ100T
DSP	R127		nsp	00MNN05104610	CHIP RES.	100K OHM 1/10W J	HRJ10DJ104T
DSP	R128		nsp	00MNN05472610	CHIP RES.	4.7K OHM 1/10W J	HRJ10DJ472T
DSP	R129		nsp	00MNN05330610	CHIP RES.	33 OHM 1/10W J	HRJ10DJ330T
DSP	R131		nsp	00MNN05221610	CHIP RES.	220 OHM 1/10W J	HRJ10DJ221T
DSP	R132		nsp	00MNN05101610	CHIP RES.	100 OHM 1/10W J	HRJ10DJ101T
DSP	R133		nsp	00MNN05101610	CHIP RES.	100 OHM 1/10W J	HRJ10DJ101T
DSP	R134		nsp	00MNN05101610	CHIP RES.	100 OHM 1/10W J	HRJ10DJ101T
DSP	R135		nsp	00MNN05101610	CHIP RES.	100 OHM 1/10W J	HRJ10DJ101T
DSP	R136		nsp	00MNN05101610	CHIP RES.	100 OHM 1/10W J	HRJ10DJ101T
DSP	R137		nsp	00MNN05101610	CHIP RES.	100 OHM 1/10W J	HRJ10DJ101T
DSP	R138		nsp	00MNN05101610	CHIP RES.	100 OHM 1/10W J	HRJ10DJ101T
DSP	R139		nsp	00MNN05010610	CHIP RES.	1 OHM 1/10W J	HRJ10DJ1R0T
DSP	R140		nsp	00MNN05105610	CHIP RES.	1M OHM 1/10W J	HRJ10DJ105T
DSP	R141		nsp	00MNN05103610	CHIP RES.	10K OHM 1/10W J	HRJ10DJ103T
DSP	R142		nsp	00MNN05103610	CHIP RES.	10K OHM 1/10W J	HRJ10DJ103T
DSP	R143		nsp	00MNN05103610	CHIP RES.	10K OHM 1/10W J	HRJ10DJ103T
DSP	R144		nsp	00MNN05103610	CHIP RES.	10K OHM 1/10W J	HRJ10DJ103T
DSP	R145		nsp	00MNN05332610	CHIP RES.	3.3K OHM 1/10W J	HRJ10DJ332T
DSP	R146		nsp	00MNN05223610	CHIP RES.	22K OHM 1/10W J	HRJ10DJ223T
DSP	R147		nsp	00MNN05473610	CHIP RES.	47K OHM 1/10W J	HRJ10DJ473T
DSP	R148		nsp	00MNN05682610	CHIP RES.	6.8K OHM 1/10W J	HRJ10DJ682T
DSP	R149		nsp	00MNN05104610	CHIP RES.	100K OHM 1/10W J	HRJ10DJ104T
DSP	R150		nsp	00MNN05272610	CHIP RES.	2.7K OHM 1/10W J	HRJ10DJ272T
DSP	R151		nsp	00MNN05472610	CHIP RES.	4.7K OHM 1/10W J	HRJ10DJ472T
DSP	R152		nsp	00MNN05472610	CHIP RES.	4.7K OHM 1/10W J	HRJ10DJ472T
DSP	R153		nsp	00MNN05562610	CHIP RES.	5.6K OHM 1/10W J	HRJ10DJ562T
DSP	R154		nsp	00MNN05472610	CHIP RES.	4.7K OHM 1/10W J	HRJ10DJ472T
DSP	R155		nsp	00MNN05101610	CHIP RES.	100 OHM 1/10W J	HRJ10DJ101T
DSP	R156		nsp	00MNN05101610	CHIP RES.	100 OHM 1/10W J	HRJ10DJ101T
DSP	R157		nsp	00MNN05682610	CHIP RES.	6.8K OHM 1/10W J	HRJ10DJ682T
DSP	R158		nsp	00MNN05104610	CHIP RES.	100K OHM 1/10W J	HRJ10DJ104T
DSP	R159		nsp	00MNN05272610	CHIP RES.	2.7K OHM 1/10W J	HRJ10DJ272T
DSP	R160		nsp	00MNN05472610	CHIP RES.	4.7K OHM 1/10W J	HRJ10DJ472T
DSP	R161		nsp	00MNN05472610	CHIP RES.	4.7K OHM 1/10W J	HRJ10DJ472T
DSP	R162		nsp	00MNN05562610	CHIP RES.	5.6K OHM 1/10W J	HRJ10DJ562T
DSP	R163		nsp	00MNN05472610	CHIP RES.	4.7K OHM 1/10W J	HRJ10DJ472T
DSP	R164		nsp	00MNN05101610	CHIP RES.	100 OHM 1/10W J	HRJ10DJ101T

NOTE : "nsp" PART IS LISTED FOR REFERENCE ONLY, MARANTZ WILL NOT SUPPLY THESE PARTS.

P.C.B. NAME	POS. NO.	VERS. COLOR	PART NO. (FOR EUR)	PART NO. (MZ)	PART NAME	DESCRIPTION	
DSP	R165		nsp	00MNN05101610	CHIP RES.	100 OHM 1/10W J	HRJ10DJ101T
DSP	R166		nsp	00MNN05222610	CHIP RES.	2.2K OHM 1/10W J	HRJ10DJ222T
DSP	R167		nsp	00MNN05222610	CHIP RES.	2.2K OHM 1/10W J	HRJ10DJ222T
DSP	R168		nsp	00MNN05105610	CHIP RES.	1M OHM 1/10W J	HRJ10DJ105T
DSP	R170		nsp	00MNN05223610	CHIP RES.	22K OHM 1/10W J	HRJ10DJ223T
DSP	R171		nsp	00MNN05223610	CHIP RES.	22K OHM 1/10W J	HRJ10DJ223T
DSP	R172		nsp	00MNN05270610	CHIP RES.	27 OHM 1/10W J	HRJ10DJ270T
DSP	R173		nsp	00MNN05101610	CHIP RES.	100 OHM 1/10W J	HRJ10DJ101T
DSP	R174		nsp	00MNN05330610	CHIP RES.	33 OHM 1/10W J	HRJ10DJ330T
DSP	R175		nsp	00MNN05330610	CHIP RES.	33 OHM 1/10W J	HRJ10DJ330T
DSP	R176		nsp	00MNN05330610	CHIP RES.	33 OHM 1/10W J	HRJ10DJ330T
DSP	R177		nsp	00MNN05330610	CHIP RES.	33 OHM 1/10W J	HRJ10DJ330T
DSP	R178		nsp	00MNN05103610	CHIP RES.	10K OHM 1/10W J	HRJ10DJ103T
DSP	R179		nsp	00MNN05103610	CHIP RES.	10K OHM 1/10W J	HRJ10DJ103T
DSP	R180		nsp	00MNN05103610	CHIP RES.	10K OHM 1/10W J	HRJ10DJ103T
DSP	R181		nsp	00MNN05103610	CHIP RES.	10K OHM 1/10W J	HRJ10DJ103T
DSP	R182		nsp	00MNN05103610	CHIP RES.	10K OHM 1/10W J	HRJ10DJ103T
DSP	R183		nsp	00MNN05103610	CHIP RES.	10K OHM 1/10W J	HRJ10DJ103T
DSP	R184		nsp	00MNN05152610	CHIP RES.	1.5K OHM 1/10W J	HRJ10DJ152T
DSP	R185		nsp	00MNN05103610	CHIP RES.	10K OHM 1/10W J	HRJ10DJ103T
DSP	R186		nsp	00MNN05103610	CHIP RES.	10K OHM 1/10W J	HRJ10DJ103T
DSP	R187		nsp	00MNN05103610	CHIP RES.	10K OHM 1/10W J	HRJ10DJ103T
DSP	R188		nsp	00MNN05103610	CHIP RES.	10K OHM 1/10W J	HRJ10DJ103T
DSP	R189		nsp	00MNN05562610	CHIP RES.	5.6K OHM 1/10W J	HRJ10DJ562T
DSP	R190		nsp	00MNN05103610	CHIP RES.	10K OHM 1/10W J	HRJ10DJ103T
DSP	R191		nsp	00MNN05103610	CHIP RES.	10K OHM 1/10W J	HRJ10DJ103T
DSP	R193		nsp	00MNN05332610	CHIP RES.	3.3K OHM 1/10W J	HRJ10DJ332T
DSP	R194		nsp	00MNN05103610	CHIP RES.	10K OHM 1/10W J	HRJ10DJ103T
DSP	R195		nsp	00MNN05562610	CHIP RES.	5.6K OHM 1/10W J	HRJ10DJ562T
DSP	R196		nsp	00MNN05332610	CHIP RES.	3.3K OHM 1/10W J	HRJ10DJ332T
DSP	R197		nsp	00MNN05332610	CHIP RES.	3.3K OHM 1/10W J	HRJ10DJ332T
DSP	R198		nsp	00MNN05332610	CHIP RES.	3.3K OHM 1/10W J	HRJ10DJ332T
DSP	R199		nsp	00MNN05103610	CHIP RES.	10K OHM 1/10W J	HRJ10DJ103T
DSP	R200		nsp	00MNN05103610	CHIP RES.	10K OHM 1/10W J	HRJ10DJ103T
DSP	R201		nsp	00MNN05103610	CHIP RES.	10K OHM 1/10W J	HRJ10DJ103T
DSP	R202		nsp	00MNN05332610	CHIP RES.	3.3K OHM 1/10W J	HRJ10DJ332T
DSP	R203		nsp	00MNN05332610	CHIP RES.	3.3K OHM 1/10W J	HRJ10DJ332T
DSP	R204		nsp	00MNN05103610	CHIP RES.	10K OHM 1/10W J	HRJ10DJ103T
DSP	R205		nsp	00MNN05103610	CHIP RES.	10K OHM 1/10W J	HRJ10DJ103T
DSP	R206		nsp	00MNN05562610	CHIP RES.	5.6K OHM 1/10W J	HRJ10DJ562T
DSP	R207		nsp	00MNN05332610	CHIP RES.	3.3K OHM 1/10W J	HRJ10DJ332T
DSP	R208		nsp	00MNN05103610	CHIP RES.	10K OHM 1/10W J	HRJ10DJ103T
DSP	R209		nsp	00MNN05103610	CHIP RES.	10K OHM 1/10W J	HRJ10DJ103T
DSP	R210		nsp	00MNN05103610	CHIP RES.	10K OHM 1/10W J	HRJ10DJ103T
DSP	R211		nsp	00MNN05103610	CHIP RES.	10K OHM 1/10W J	HRJ10DJ103T
DSP	R212		nsp	00MNN05103610	CHIP RES.	10K OHM 1/10W J	HRJ10DJ103T
DSP	R213		nsp	00MNN05103610	CHIP RES.	10K OHM 1/10W J	HRJ10DJ103T
DSP	R214		nsp	00MNN05103610	CHIP RES.	10K OHM 1/10W J	HRJ10DJ103T
DSP	R215		nsp	00MNN05103610	CHIP RES.	10K OHM 1/10W J	HRJ10DJ103T
DSP	R216		nsp	00MNN05103610	CHIP RES.	10K OHM 1/10W J	HRJ10DJ103T
DSP	R217		nsp	00MNN05103610	CHIP RES.	10K OHM 1/10W J	HRJ10DJ103T
DSP	R218		nsp	00MNN05103610	CHIP RES.	10K OHM 1/10W J	HRJ10DJ103T
DSP	R229		nsp	00MNN05103610	CHIP RES.	10K OHM 1/10W J	HRJ10DJ103T
DSP	R230		nsp	00MNN05103610	CHIP RES.	10K OHM 1/10W J	HRJ10DJ103T
DSP	R231		nsp	00MNN05103610	CHIP RES.	10K OHM 1/10W J	HRJ10DJ103T
DSP	R232		nsp	00MNN05103610	CHIP RES.	10K OHM 1/10W J	HRJ10DJ103T
DSP	R233		nsp	00MNN05103610	CHIP RES.	10K OHM 1/10W J	HRJ10DJ103T
DSP	R234		nsp	00MNN05103610	CHIP RES.	10K OHM 1/10W J	HRJ10DJ103T
DSP	R235		nsp	00MNN05103610	CHIP RES.	10K OHM 1/10W J	HRJ10DJ103T
DSP	R236		nsp	00MNN05103610	CHIP RES.	10K OHM 1/10W J	HRJ10DJ103T
DSP	R237		nsp	00MNN05103610	CHIP RES.	10K OHM 1/10W J	HRJ10DJ103T
DSP	R238		nsp	00MNN05103610	CHIP RES.	10K OHM 1/10W J	HRJ10DJ103T
DSP	R239		nsp	00MNN05330610	CHIP RES.	33 OHM 1/10W J	HRJ10DJ330T
DSP	R240		nsp	00MNN05103610	CHIP RES.	10K OHM 1/10W J	HRJ10DJ103T
DSP	R241		nsp	00MNN05330610	CHIP RES.	33 OHM 1/10W J	HRJ10DJ330T
DSP	R242		nsp	00MNN05330610	CHIP RES.	33 OHM 1/10W J	HRJ10DJ330T
DSP	R243		nsp	00MNN05330610	CHIP RES.	33 OHM 1/10W J	HRJ10DJ330T

NOTE : *nsp* PART IS LISTED FOR REFERENCE ONLY, MARANTZ WILL NOT SUPPLY THESE PARTS.

P.C.B. NAME	POS. NO.	VERS. COLOR	PART NO. (FOR EUR)	PART NO. (MZ)	PART NAME	DESCRIPTION	
DSP	R245		nsp	00MNN05223610	CHIP RES.	22K OHM 1/10W J	HRJ10DJ223T
DSP	R247		nsp	00MNN05332610	CHIP RES.	3.3K OHM 1/10W J	CRJ10DJ332T
DSP	R248		nsp	00MNN05332610	CHIP RES.	3.3K OHM 1/10W J	CRJ10DJ332T
DSP	R249		nsp	00MNN05682610	CHIP RES.	6.8K OHM 1/10W J	CRJ10DJ682T
DSP	R250		nsp	00MNN05152610	CHIP RES.	1.5K OHM 1/10W J	CRJ10DJ152T
DSP	R251		nsp	00MNN05682610	CHIP RES.	6.8K OHM 1/10W J	CRJ10DJ682T
DSP	R252		nsp	00MNN05152610	CHIP RES.	1.5K OHM 1/10W J	CRJ10DJ152T
DSP	R253		nsp	00MNN05101610	CHIP RES.	100 OHM 1/10W J	HRJ10DJ101T
DSP	R254		nsp	00MNN05104610	CHIP RES.	100K OHM 1/10W J	HRJ10DJ104T
DSP	R255		nsp	00MNN05332610	CHIP RES.	3.3K OHM 1/10W J	CRJ10DJ332T
DSP	R256		nsp	00MNN05332610	CHIP RES.	3.3K OHM 1/10W J	CRJ10DJ332T
DSP	R257		nsp	00MNN05682610	CHIP RES.	6.8K OHM 1/10W J	CRJ10DJ682T
DSP	R258		nsp	00MNN05152610	CHIP RES.	1.5K OHM 1/10W J	CRJ10DJ152T
DSP	R259		nsp	00MNN05682610	CHIP RES.	6.8K OHM 1/10W J	CRJ10DJ682T
DSP	R260		nsp	00MNN05152610	CHIP RES.	1.5K OHM 1/10W J	CRJ10DJ152T
DSP	R261		nsp	00MNN05101610	CHIP RES.	100 OHM 1/10W J	HRJ10DJ101T
DSP	R262		nsp	00MNN05104610	CHIP RES.	100K OHM 1/10W J	HRJ10DJ104T
DSP	R263		nsp	00MNN05332610	CHIP RES.	3.3K OHM 1/10W J	CRJ10DJ332T
DSP	R264		nsp	00MNN05332610	CHIP RES.	3.3K OHM 1/10W J	CRJ10DJ332T
DSP	R265		nsp	00MNN05682610	CHIP RES.	6.8K OHM 1/10W J	CRJ10DJ682T
DSP	R266		nsp	00MNN05152610	CHIP RES.	1.5K OHM 1/10W J	CRJ10DJ152T
DSP	R267		nsp	00MNN05682610	CHIP RES.	6.8K OHM 1/10W J	CRJ10DJ682T
DSP	R268		nsp	00MNN05152610	CHIP RES.	1.5K OHM 1/10W J	CRJ10DJ152T
DSP	R269		nsp	00MNN05101610	CHIP RES.	100 OHM 1/10W J	HRJ10DJ101T
DSP	R270		nsp	00MNN05104610	CHIP RES.	100K OHM 1/10W J	HRJ10DJ104T
DSP	R271		nsp	00MNN05332610	CHIP RES.	3.3K OHM 1/10W J	CRJ10DJ332T
DSP	R272		nsp	00MNN05332610	CHIP RES.	3.3K OHM 1/10W J	CRJ10DJ332T
DSP	R273		nsp	00MNN05682610	CHIP RES.	6.8K OHM 1/10W J	CRJ10DJ682T
DSP	R274		nsp	00MNN05152610	CHIP RES.	1.5K OHM 1/10W J	CRJ10DJ152T
DSP	R275		nsp	00MNN05682610	CHIP RES.	6.8K OHM 1/10W J	CRJ10DJ682T
DSP	R276		nsp	00MNN05152610	CHIP RES.	1.5K OHM 1/10W J	CRJ10DJ152T
DSP	R277		nsp	00MNN05101610	CHIP RES.	100 OHM 1/10W J	HRJ10DJ101T
DSP	R278		nsp	00MNN05104610	CHIP RES.	100K OHM 1/10W J	HRJ10DJ104T
DSP	R279		nsp	00MNN05332610	CHIP RES.	3.3K OHM 1/10W J	CRJ10DJ332T
DSP	R280		nsp	00MNN05332610	CHIP RES.	3.3K OHM 1/10W J	CRJ10DJ332T
DSP	R281		nsp	00MNN05682610	CHIP RES.	6.8K OHM 1/10W J	CRJ10DJ682T
DSP	R282		nsp	00MNN05152610	CHIP RES.	1.5K OHM 1/10W J	CRJ10DJ152T
DSP	R283		nsp	00MNN05682610	CHIP RES.	6.8K OHM 1/10W J	CRJ10DJ682T
DSP	R284		nsp	00MNN05152610	CHIP RES.	1.5K OHM 1/10W J	CRJ10DJ152T
DSP	R285		nsp	00MNN05101610	CHIP RES.	100 OHM 1/10W J	HRJ10DJ101T
DSP	R286		nsp	00MNN05104610	CHIP RES.	100K OHM 1/10W J	HRJ10DJ104T
DSP	R287		nsp	00MNN05332610	CHIP RES.	3.3K OHM 1/10W J	CRJ10DJ332T
DSP	R288		nsp	00MNN05332610	CHIP RES.	3.3K OHM 1/10W J	CRJ10DJ332T
DSP	R289		nsp	00MNN05682610	CHIP RES.	6.8K OHM 1/10W J	CRJ10DJ682T
DSP	R290		nsp	00MNN05152610	CHIP RES.	1.5K OHM 1/10W J	CRJ10DJ152T
DSP	R291		nsp	00MNN05682610	CHIP RES.	6.8K OHM 1/10W J	CRJ10DJ682T
DSP	R292		nsp	00MNN05152610	CHIP RES.	1.5K OHM 1/10W J	CRJ10DJ152T
DSP	R293		nsp	00MNN05101610	CHIP RES.	100 OHM 1/10W J	HRJ10DJ101T
DSP	R294		nsp	00MNN05104610	CHIP RES.	100K OHM 1/10W J	HRJ10DJ104T
DSP	R295		nsp	00MNN05332610	CHIP RES.	3.3K OHM 1/10W J	CRJ10DJ332T
DSP	R296		nsp	00MNN05332610	CHIP RES.	3.3K OHM 1/10W J	CRJ10DJ332T
DSP	R297		nsp	00MNN05682610	CHIP RES.	6.8K OHM 1/10W J	CRJ10DJ682T
DSP	R298		nsp	00MNN05152610	CHIP RES.	1.5K OHM 1/10W J	CRJ10DJ152T
DSP	R299		nsp	00MNN05682610	CHIP RES.	6.8K OHM 1/10W J	CRJ10DJ682T
DSP	R300		nsp	00MNN05152610	CHIP RES.	1.5K OHM 1/10W J	CRJ10DJ152T
DSP	R301		nsp	00MNN05101610	CHIP RES.	100 OHM 1/10W J	HRJ10DJ101T
DSP	R302		nsp	00MNN05104610	CHIP RES.	100K OHM 1/10W J	HRJ10DJ104T
DSP	R303		nsp	00MNN05470610	CHIP RES.	47 OHM 1/10W J	HRJ10DJ470T
DSP	R306		nsp	00MNN05473610	CHIP RES.	47K OHM 1/10W J	HRJ10DJ473T
DSP	R307		nsp	00MNN05152610	CHIP RES.	1.5K OHM 1/10W J	HRJ10DJ152T
DSP	R308		nsp	00MNN05473610	CHIP RES.	47K OHM 1/10W J	HRJ10DJ473T
DSP	R309		nsp	00MNN05183610	CHIP RES.	18K OHM 1/10W J	HRJ10DJ183T
DSP	R310		nsp	00MNN05470610	CHIP RES.	47 OHM 1/10W J	HRJ10DJ470T
DSP	R321		nsp	00MNN05332610	CHIP RES.	3.3K OHM 1/10W J	CRJ10DJ332T
DSP	R322		nsp	00MNN05332610	CHIP RES.	3.3K OHM 1/10W J	CRJ10DJ332T
DSP	R323		nsp	00MNN05682610	CHIP RES.	6.8K OHM 1/10W J	CRJ10DJ682T
DSP	R324		nsp	00MNN05152610	CHIP RES.	1.5K OHM 1/10W J	CRJ10DJ152T

NOTE : "nsp" PART IS LISTED FOR REFERENCE ONLY, MARANTZ WILL NOT SUPPLY THESE PARTS.

P.C.B. NAME	POS. NO.	VERS. COLOR	PART NO. (FOR EUR)	PART NO. (MZ)	PART NAME	DESCRIPTION	
DSP	R325		nsp	00MNN05152610	CHIP RES.	1.5K OHM 1/10W J	CRJ10DJ152T
DSP	R326		nsp	00MNN05682610	CHIP RES.	6.8K OHM 1/10W J	CRJ10DJ682T
DSP	R327		nsp	00MNN05101610	CHIP RES.	100 OHM 1/10W J	HRJ10DJ101T
DSP	R328		nsp	00MNN05104610	CHIP RES.	100K OHM 1/10W J	HRJ10DJ104T
DSP	R395		nsp	00MNN05221610	CHIP RES.	220 OHM 1/10W J	HRJ10DJ221T
DSP	R396		nsp	00MNN05183610	CHIP RES.	18K OHM 1/10W J	HRJ10DJ183T
DSP	RC11		nsp	00MNN05103610	CHIP RES.	10K OHM 1/10W J	HRJ10DJ103T
DSP	RC12		nsp	00MNN05562610	CHIP RES.	5.6K OHM 1/10W J	HRJ10DJ562T
DSP	RC14		nsp	00MNN05473610	CHIP RES.	47K OHM 1/10W J	HRJ10DJ473T
DSP	RC15		nsp	00MNN05473610	CHIP RES.	47K OHM 1/10W J	HRJ10DJ473T
DSP	RC16		nsp	00MNN05473610	CHIP RES.	47K OHM 1/10W J	HRJ10DJ473T
DSP	RC17		nsp	00MNN05473610	CHIP RES.	47K OHM 1/10W J	HRJ10DJ473T
DSP	RC18		nsp	00MNN05473610	CHIP RES.	47K OHM 1/10W J	HRJ10DJ473T
DSP	RC20		nsp	00MNN05473610	CHIP RES.	47K OHM 1/10W J	HRJ10DJ473T
DSP	RC21		nsp	00MNN05473610	CHIP RES.	47K OHM 1/10W J	HRJ10DJ473T
DSP	RC22		nsp	00MNN05473610	CHIP RES.	47K OHM 1/10W J	HRJ10DJ473T
DSP	RC23		nsp	00MNN05473610	CHIP RES.	47K OHM 1/10W J	HRJ10DJ473T
DSP	RC24		nsp	00MNN05473610	CHIP RES.	47K OHM 1/10W J	HRJ10DJ473T
DSP	RC25		nsp	00MNN05473610	CHIP RES.	47K OHM 1/10W J	HRJ10DJ473T
DSP	RC26		nsp	00MNN05010610	CHIP RES.	1 OHM 1/10W J	HRJ10DJ1R0T
DSP	RC27		nsp	00MNN05105610	CHIP RES.	1M OHM 1/10W J	HRJ10DJ105T
DSP	RC28		nsp	00MNN05103610	CHIP RES.	10K OHM 1/10W J	CRJ10DJ103T
DSP	RC29		nsp	00MNN05201610	CHIP RES.	200 OHM 1/10W J	CRJ10DJ201T
DSP	RC30		nsp	00MNN05201610	CHIP RES.	200 OHM 1/10W J	CRJ10DJ201T
DSP	RC31		nsp	00MNN05472610	CHIP RES.	4.7K OHM 1/10W J	HRJ10DJ472T
DSP	RC32		nsp	00MNN05472610	CHIP RES.	4.7K OHM 1/10W J	HRJ10DJ472T
DSP	RC33		nsp	00MNN05472610	CHIP RES.	4.7K OHM 1/10W J	HRJ10DJ472T
DSP	RC34		nsp	00MNN05473610	CHIP RES.	47K OHM 1/10W J	HRJ10DJ473T
DSP	RC35		nsp	00MNN05473610	CHIP RES.	47K OHM 1/10W J	HRJ10DJ473T
DSP	RC36	/U1B	nsp	00MNN05473610	CHIP RES.	47K OHM 1/10W J	CRJ10DJ473T
DSP	RC37	/N1B	nsp	00MNN05000610	CHIP RES.	0 OHM 1/10W J	HRJ10DJ0R0T
DSP	RC37	/N1S	nsp	00MNN05000610	CHIP RES.	0 OHM 1/10W J	HRJ10DJ0R0T
DSP	RC37	/U1B	nsp	00MNN05223610	CHIP RES.	22K OHM 1/10W J	HRJ10DJ223T
DSP	RC38		nsp	00MNN05101610	CHIP RES.	100 OHM 1/10W J	CRJ10DJ101T
DSP	RC39		nsp	00MNN05103610	CHIP RES.	10K OHM 1/10W J	HRJ10DJ103T
DSP	RC40		nsp	00MNN05473610	CHIP RES.	47K OHM 1/10W J	HRJ10DJ473T
DSP	RC42		nsp	00MNN05473610	CHIP RES.	47K OHM 1/10W J	HRJ10DJ473T
DSP	RC43		nsp	00MNN05473610	CHIP RES.	47K OHM 1/10W J	HRJ10DJ473T
DSP	RC44		nsp	00MNN05102610	CHIP RES.	1K OHM 1/10W J	HRJ10DJ102T
DSP	RC45		nsp	00MNN05473610	CHIP RES.	47K OHM 1/10W J	HRJ10DJ473T
DSP	RC46		nsp	00MNN05473610	CHIP RES.	47K OHM 1/10W J	HRJ10DJ473T
DSP	RC47		nsp	00MNN05473610	CHIP RES.	47K OHM 1/10W J	HRJ10DJ473T
DSP	RC48		nsp	00MNN05473610	CHIP RES.	47K OHM 1/10W J	HRJ10DJ473T
DSP	RC49		nsp	00MNN05473610	CHIP RES.	47K OHM 1/10W J	HRJ10DJ473T
DSP	RC50		nsp	00MNN05473610	CHIP RES.	47K OHM 1/10W J	HRJ10DJ473T
DSP	RC51		nsp	00MNN05473610	CHIP RES.	47K OHM 1/10W J	HRJ10DJ473T
DSP	RC52		nsp	00MNN05473610	CHIP RES.	47K OHM 1/10W J	HRJ10DJ473T
DSP	RC53		nsp	00MNN05473610	CHIP RES.	47K OHM 1/10W J	HRJ10DJ473T
DSP	RC55		nsp	00MNN05223610	CHIP RES.	22K OHM 1/10W J	HRJ10DJ223T
DSP	RC56		nsp	00MNN05223610	CHIP RES.	22K OHM 1/10W J	HRJ10DJ223T
DSP	RC57		nsp	00MNN05101610	CHIP RES.	100 OHM 1/10W J	CRJ10DJ101T
DSP	RC58		nsp	00MNN05101610	CHIP RES.	100 OHM 1/10W J	CRJ10DJ101T
DSP	RC59		nsp	00MNN05473610	CHIP RES.	47K OHM 1/10W J	HRJ10DJ473T
DSP	RC60		nsp	00MNN05473610	CHIP RES.	47K OHM 1/10W J	HRJ10DJ473T
DSP	RC61		nsp	00MNN05473610	CHIP RES.	47K OHM 1/10W J	HRJ10DJ473T
DSP	RC62		nsp	00MNN05473610	CHIP RES.	47K OHM 1/10W J	HRJ10DJ473T
DSP	RC63		nsp	00MNN05683610	CHIP RES.	68K OHM 1/10W J	HRJ10DJ683T
DSP	RC64		nsp	00MNN05222610	CHIP RES.	2.2K OHM 1/10W J	HRJ10DJ222T
DSP	RC65		nsp	00MNN05102610	CHIP RES.	1K OHM 1/10W J	HRJ10DJ102T
DSP	RC66		nsp	00MNN05473610	CHIP RES.	47K OHM 1/10W J	HRJ10DJ473T
DSP	RC67		nsp	00MNN05123610	CHIP RES.	12K OHM 1/10W J	HRJ10DJ123T
DSP	RC68		nsp	00MNN05103610	CHIP RES.	10K OHM 1/10W J	CRJ10DJ103T
DSP	RC69		nsp	00MNN05473610	CHIP RES.	47K OHM 1/10W J	CRJ10DJ473T
DSP	RN11		90M-BW000390R	90M-BW000390R	RES. COMPO.	ARC 241 100R	HRJ104DJ101T
DSP	RN12		90M-BW000390R	90M-BW000390R	RES. COMPO.	ARC 241 100R	HRJ104DJ101T
DSP	RN13		90M-BW000390R	90M-BW000390R	RES. COMPO.	ARC 241 100R	HRJ104DJ101T
DSP	RN14		90M-BW000390R	90M-BW000390R	RES. COMPO.	ARC 241 100R	HRJ104DJ101T

NOTE : *nsp* PART IS LISTED FOR REFERENCE ONLY, MARANTZ WILL NOT SUPPLY THESE PARTS.

P.C.B. NAME	POS. NO.	VERS. COLOR	PART NO. (FOR EUR)	PART NO. (MZ)	PART NAME	DESCRIPTION	
DSP	RN15		90M-BW000390R	90M-BW000390R	RES. COMPO.	ARC 241 100R	HRJ104DJ101T
DSP	RN16		90M-BW000390R	90M-BW000390R	RES. COMPO.	ARC 241 100R	HRJ104DJ101T
DSP	RN17		90M-BW000390R	90M-BW000390R	RES. COMPO.	ARC 241 100R	HRJ104DJ101T
DSP	RN18		90M-BW000390R	90M-BW000390R	RES. COMPO.	ARC 241 100R	HRJ104DJ101T
DSP	RN19		90M-BW000390R	90M-BW000390R	RES. COMPO.	ARC 241 100R	HRJ104DJ101T
DSP	SW10		90M-SP001290R	90M-SP001290R	SW	SPUJ19XSM011	HSH2B018Z
DSP	X101		90M-JX001180R	90M-JX001180R	X'TAL	12288MHZ	HOX12288E320TF
DSP	XC11		90M-JX001190R	90M-JX001190R	X'TAL	20MHZ	HOX20000E220TF
ENCODER PWB (CUP11857-2)							
ENCODE	C841		nsp	nsp	CER. CAP.	0.1UF 50V Z	HCBS1H104ZFT
ENCODE	C871		nsp	nsp	CER. CAP.	100PF 50V K	HCBS1H101KBT
ENCODE	C872		nsp	nsp	CER. CAP.	100PF 50V K	HCBS1H101KBT
ENCODE	C873		nsp	nsp	CER. CAP.	100PF 50V K	HCBS1H101KBT
ENCODE	CN86		90M-YJ002790R	90M-YJ002790R	CONN.	PIN HEADER 7P	KJP07GB144ZP
ENCODE	D801		90M-HI101040R	90M-HI101040R	L.E.D.	SLR342VCTB7T089	HVD342VCTB7T089
ENCODE	EN82		90M-SR000270R	90M-SR000270R	ROTARY SW	EC16B12S0AD4ZZZ	HSR2A032Z
ENCODE	J825		nsp	nsp	CORD	SN95/PB5, 0.6	C3A206
ENCODE	J840		nsp	nsp	CORD	SN95/PB5, 0.6	C3A206
ENCODE	JW13		nsp	nsp	CORD	WIRE ASSY	CWE8102150RV
ENCODE	Q802		00MBA10001000	00MBA10001000	TRS.	KRA102M	HVTKRA102MT
ENCODE	R871		nsp	nsp	RES.	10K OHM 1/5W J	CRD20TJ103T
ENCODE	R872		nsp	nsp	RES.	10K OHM 1/5W J	CRD20TJ103T
ENCODE	R873		nsp	nsp	RES.	10K OHM 1/5W J	CRD20TJ103T
ENCODE	R874		nsp	nsp	RES.	10K OHM 1/5W J	CRD20TJ103T
ENCODE	R875		nsp	nsp	RES.	680 OHM 1/5W J	CRD20TJ681T
ENCODE	R876		nsp	nsp	RES.	820 OHM 1/5W J	CRD20TJ821T
ENCODE	R877		nsp	nsp	RES.	560 OHM 1/5W J	CRD20TJ561T
ENCODE	R879		nsp	nsp	RES.	680 OHM 1/5W J	CRD20TJ681T
ENCODE	SW94		90M-SP001210R	90M-SP001210R	SW	SKHV10910G TACT	CST1A012ZT
ENCODE	SW95		90M-SP001210R	90M-SP001210R	SW	SKHV10910G TACT	CST1A012ZT
FRONT PWB (CUP11857Z)							
FRONT			nsp	nsp	TERMINAL	PLATE EARTH	CMC3A111
FRONT			nsp	nsp	TAPE	TAPE BOTH SIDE 3M #4920	K4FM073
FRONT			nsp	nsp	TAPE	TAPE PROTECTIVE	K4FH300
FRONT	BK11		nsp	nsp	BRACKET	BRACKET FLT	CMD1A468
FRONT	BK12		nsp	nsp	BRACKET	BRACKET FLT	CMD1A468
FRONT	BK88		nsp	nsp	BRACKET	BRACKET FOR PWB	CMD1A569
FRONT	BN11		nsp	nsp	CORD	WIRE ASSY	CWB1B907230EN
FRONT	BN12		nsp	nsp	CORD	WIRE ASSY	CWB1B905340EN
FRONT	BN14		nsp	nsp	CORD	WIRE ASSY	CWB1B907370EN
FRONT	BN23		nsp	nsp	CORD	WIRE ASSY	CWB1A903040EN
FRONT	C801		nsp	00MOA10701020	ELECT CAP.	100UF 10V ZF	CCEA1AH101T
FRONT	C802		nsp	00MOA10601620	ELECT CAP.	10UF 16V	CCEA1CH100T
FRONT	C804		nsp	nsp	CER. CAP.	0.01UF 50V Z	HCBS1H103ZFT
FRONT	C805		nsp	nsp	CER. CAP.	100PF 50V K	HCBS1H101KBT
FRONT	C806		nsp	00MOA10703520	ELECT CAP.	100UF 35V	CCEA1VH101T
FRONT	C807		nsp	nsp	CER. CAP.	100PF 50V K	HCBS1H101KBT
FRONT	C809		nsp	nsp	CER. CAP.	100PF 50V K	HCBS1H101KBT
FRONT	C810		nsp	nsp	CER. CAP.	100PF 50V K	HCBS1H101KBT
FRONT	C811		nsp	nsp	CER. CAP.	100PF 50V K	HCBS1H101KBT
FRONT	C812		nsp	nsp	CER. CAP.	0.1UF 50V Z	HCBS1H104ZFT
FRONT	C813		nsp	00MOA10701020	ELECT CAP.	100UF 10V ZF	CCEA1AH101T
FRONT	C814		nsp	nsp	CER. CAP.	100PF 50V K	HCBS1H101KBT
FRONT	C815		nsp	nsp	CER. CAP.	100PF 50V K	HCBS1H101KBT
FRONT	C816		nsp	nsp	CER. CAP.	100PF 50V K	HCBS1H101KBT
FRONT	C817		nsp	nsp	CER. CAP.	100PF 50V K	HCBS1H101KBT
FRONT	C818		nsp	nsp	CER. CAP.	100PF 50V K	HCBS1H101KBT
FRONT	C820		nsp	nsp	CER. CAP.	100PF 50V K	HCBS1H101KBT
FRONT	C821		90M-EJ000040R	90M-EJ000040R	ELECT CAP.	10UF 50V KS	CCEA1HKS100T
FRONT	C822		nsp	nsp	CER. CAP.	100PF 50V K	HCBS1H101KBT
FRONT	C824		nsp	nsp	CER. CAP.	0.1UF 50V Z	HCBS1H104ZFT
FRONT	C825		nsp	nsp	CER. CAP.	390PF 50V KB	HCBS1H391KBT
FRONT	C826		nsp	nsp	CER. CAP.	100PF 50V K	HCBS1H101KBT
FRONT	C827		nsp	nsp	CER. CAP.	100PF 50V K	HCBS1H101KBT
FRONT	C828		90M-EJ000010R	90M-EJ000010R	ELECT CAP.	100UF 10V	CCEA1AKS101T
FRONT	C829		nsp	00MOA10602520	ELECT CAP.	10UF 25V	CCEA1EH100T
FRONT	C830		nsp	00MOA10602520	ELECT CAP.	10UF 25V	CCEA1EH100T

NOTE : "nsp" PART IS LISTED FOR REFERENCE ONLY, MARANTZ WILL NOT SUPPLY THESE PARTS.

P.C.B. NAME	POS. NO.	VERS. COLOR	PART NO. (FOR EUR)	PART NO. (MZ)	PART NAME	DESCRIPTION	
FRONT	C831		nsp	00MOA10601620	ELECT CAP.	10UF 16V	CCEA1CH100T
FRONT	C832		nsp	00MOA10601620	ELECT CAP.	10UF 16V	CCEA1CH100T
FRONT	C833		nsp	nsp	CER. CAP.	0.1UF 50V Z	HCBS1H104ZFT
FRONT	C834		nsp	nsp	CER. CAP.	47PF 50V J	HCBS1H470JT
FRONT	C835		nsp	nsp	CER. CAP.	47PF 50V J	HCBS1H470JT
FRONT	C836		nsp	nsp	CER. CAP.	0.1UF 50V Z	HCBS1H104ZFT
FRONT	C837		nsp	nsp	CER. CAP.	1000PF 50V B	HCBS1H102KBT
FRONT	C838		nsp	nsp	CER. CAP.	1000PF 50V B	HCBS1H102KBT
FRONT	C840		nsp	nsp	CER. CAP.	0.1UF 50V Z	HCBS1H104ZFT
FRONT	C842		nsp	nsp	CER. CAP.	100PF 50V K	HCBS1H101KBT
FRONT	C843		nsp	nsp	CER. CAP.	0.1UF 50V Z	HCBS1H104ZFT
FRONT	C845		nsp	00MOA10701020	ELECT CAP.	100UF 10V ZF	CCEA1AH101T
FRONT	C891		nsp	nsp	CER. CAP.	0.1UF 50V Z	HCBS1H104ZFT
FRONT	CN15		nsp	nsp	CONN.	16P WAFER CARD CABLE	CJP16GA117ZY
FRONT	CN81		90M-YP100220R	90M-YP100220R	CONN.	DIP SOCKET	KJP07GB145ZP
FRONT	EN81		90M-SR000240R	90M-SR000240R	ROTARY SW	EC16B243040HB	HSR2A004Z
FRONT	FIP1		90M-HQ300620R	90M-HQ300620R	DISPLAY	16-BT-110GNK	HFL16BT110GNK
FRONT	IC81		00MHC10220090	00MHC10220090	IC	NJU3430F VFD DRIVER	HVINJU3430F
FRONT	IC83		00MHC10053090	00MHC10053090	IC	NJM2068DD	HVINJM2068DD
FRONT	IC84		90M-HC108410R	90M-HC108410R	IC	S-80842CNY-X	HVIS-80842CNY-X
FRONT	J109		nsp	nsp	CORD	SN95/PB5, 0.6	C3A206
FRONT	J110		nsp	nsp	CORD	SN95/PB5, 0.6	C3A206
FRONT	J111		nsp	nsp	CORD	SN95/PB5, 0.6	C3A206
FRONT	J112		nsp	nsp	CORD	SN95/PB5, 0.6	C3A206
FRONT	J113		nsp	nsp	CORD	SN95/PB5, 0.6	C3A206
FRONT	J114		nsp	nsp	CORD	SN95/PB5, 0.6	C3A206
FRONT	J171		nsp	nsp	CORD	SN95/PB5, 0.6	C3A206
FRONT	J172		nsp	nsp	CORD	SN95/PB5, 0.6	C3A206
FRONT	J173		nsp	nsp	CORD	SN95/PB5, 0.6	C3A206
FRONT	J200		nsp	nsp	CORD	SN95/PB5, 0.6	C3A206
FRONT	J207		nsp	nsp	CORD	SN95/PB5, 0.6	C3A206
FRONT	J801		nsp	nsp	CORD	SN95/PB5, 0.6	C3A206
FRONT	J802		nsp	nsp	CORD	SN95/PB5, 0.6	C3A206
FRONT	J803		nsp	nsp	CORD	SN95/PB5, 0.6	C3A206
FRONT	J804		nsp	nsp	CORD	SN95/PB5, 0.6	C3A206
FRONT	J805		nsp	nsp	CORD	SN95/PB5, 0.6	C3A206
FRONT	J806		nsp	nsp	CORD	SN95/PB5, 0.6	C3A206
FRONT	J807		nsp	nsp	CORD	SN95/PB5, 0.6	C3A206
FRONT	J808		nsp	nsp	CORD	SN95/PB5, 0.6	C3A206
FRONT	J809		nsp	nsp	CORD	SN95/PB5, 0.6	C3A206
FRONT	J810		nsp	nsp	CORD	SN95/PB5, 0.6	C3A206
FRONT	J817		nsp	nsp	CORD	SN95/PB5, 0.6	C3A206
FRONT	J818		nsp	nsp	CORD	SN95/PB5, 0.6	C3A206
FRONT	J819		nsp	nsp	CORD	SN95/PB5, 0.6	C3A206
FRONT	J850		nsp	nsp	CORD	SN95/PB5, 0.6	C3A206
FRONT	J857		nsp	nsp	CORD	SN95/PB5, 0.6	C3A206
FRONT	J893		nsp	nsp	CORD	SN95/PB5, 0.6	C3A206
FRONT	JK83		90M-YT003240R	90M-YT003240R	TERMINAL	S-TERMINAL 1P	CJJ9M004Z
FRONT	JK84		90M-YT003220R	90M-YT003220R	TERMINAL	CINCH 3P ADVR-7100 AUDIO VIDEO	CJJ4S028Z
FRONT	JW11		nsp	nsp	CORD	WIRE ASSY	CWE8102150RV
FRONT	Q801		00MBA10001000	00MBA10001000	TRS.	KRA102M	HVTKRA102MT
FRONT	Q803		00MHT30001000	00MHT30001000	TRS.	KTC3199Y	HVTKTC3199YT
FRONT	Q810		00MBA10001000	00MBA10001000	TRS.	KRA102M	HVTKRA102MT
FRONT	R805		nsp	nsp	RES.	100 OHM 1/5W J	CRD20TJ101T
FRONT	R806		nsp	nsp	RES.	10K OHM 1/5W J	CRD20TJ103T
FRONT	R807		nsp	nsp	RES.	10K OHM 1/5W J	CRD20TJ103T
FRONT	R808		nsp	nsp	RES.	10K OHM 1/5W J	CRD20TJ103T
FRONT	R809		nsp	nsp	RES.	10K OHM 1/5W J	CRD20TJ103T
FRONT	R810		nsp	nsp	RES.	5.6K OHM 1/5W J	CRD20TJ562T
FRONT	R811		nsp	nsp	RES.	2.7K OHM 1/5W J	CRD20TJ272T
FRONT	R812		nsp	nsp	RES.	2.2K OHM 1/5W J	CRD20TJ222T
FRONT	R813		nsp	nsp	RES.	1.5K OHM 1/5W J	CRD20TJ152T
FRONT	R814		nsp	nsp	RES.	1K OHM 1/5W J	CRD20TJ102T
FRONT	R815		nsp	nsp	RES.	820 OHM 1/5W J	CRD20TJ821T
FRONT	R816		nsp	nsp	RES.	560 OHM 1/5W J	CRD20TJ561T
FRONT	R817		nsp	nsp	RES.	680 OHM 1/5W J	CRD20TJ681T
FRONT	R818		nsp	nsp	RES.	5.6K OHM 1/5W J	CRD20TJ562T

NOTE : "nsp" PART IS LISTED FOR REFERENCE ONLY, MARANTZ WILL NOT SUPPLY THESE PARTS.

P.C.B. NAME	POS. NO.	VERS. COLOR	PART NO. (FOR EUR)	PART NO. (MZ)	PART NAME	DESCRIPTION
FRONT	R819		nsp	nsp	RES.	2.7K OHM 1/5W J CRD20TJ272T
FRONT	R820		nsp	nsp	RES.	2.2K OHM 1/5W J CRD20TJ222T
FRONT	R821		nsp	nsp	RES.	1.5K OHM 1/5W J CRD20TJ152T
FRONT	R822		nsp	nsp	RES.	1K OHM 1/5W J CRD20TJ102T
FRONT	R823		nsp	nsp	RES.	820 OHM 1/5W J CRD20TJ821T
FRONT	R824		nsp	nsp	RES.	560 OHM 1/5W J CRD20TJ561T
FRONT	R825		nsp	nsp	RES.	680 OHM 1/5W J CRD20TJ681T
FRONT	R826		nsp	nsp	RES.	5.6K OHM 1/5W J CRD20TJ562T
FRONT	R827		nsp	nsp	RES.	2.7K OHM 1/5W J CRD20TJ272T
FRONT	R828		nsp	nsp	RES.	2.2K OHM 1/5W J CRD20TJ222T
FRONT	R829		nsp	nsp	RES.	1.5K OHM 1/5W J CRD20TJ152T
FRONT	R830		nsp	nsp	RES.	1K OHM 1/5W J CRD20TJ102T
FRONT	R831		nsp	nsp	RES.	10K OHM 1/5W J CRD20TJ103T
FRONT	R833		nsp	nsp	RES.	68K OHM 1/5W J CRD20TJ683T
FRONT	R834		nsp	nsp	RES.	47K OHM 1/5W J CRD20TJ473T
FRONT	R835		nsp	nsp	RES.	47K OHM 1/5W J CRD20TJ473T
FRONT	R836		nsp	nsp	RES.	47K OHM 1/5W J CRD20TJ473T
FRONT	R837		nsp	nsp	RES.	47K OHM 1/5W J CRD20TJ473T
FRONT	R838		nsp	nsp	RES.	100 OHM 1/5W J CRD20TJ101T
FRONT	R839		nsp	nsp	RES.	100 OHM 1/5W J CRD20TJ101T
FRONT	R840		nsp	nsp	RES.	100 OHM 1/5W J CRD20TJ101T
FRONT	R841		nsp	nsp	RES.	75 OHM 1/5W J CRD20TJ750T
FRONT	R842		nsp	nsp	RES.	10K OHM 1/5W J CRD20TJ103T
FRONT	R843		nsp	nsp	RES.	75 OHM 1/5W J CRD20TJ750T
FRONT	R844		nsp	nsp	RES.	75 OHM 1/5W J CRD20TJ750T
FRONT	R845		nsp	nsp	RES.	100 OHM 1/5W J CRD20TJ101T
FRONT	R848		nsp	nsp	RES.	1.2K OHM 1/5W J CRD20TJ122T
FRONT	R901		nsp	nsp	RES.	10K OHM 1/5W J CRD20TJ103T
FRONT	R902		nsp	nsp	RES.	10K OHM 1/5W J CRD20TJ103T
FRONT	R903		nsp	nsp	RES.	10K OHM 1/5W J CRD20TJ103T
FRONT	R904		nsp	nsp	RES.	10K OHM 1/5W J CRD20TJ103T
FRONT	R905		nsp	nsp	RES.	10K OHM 1/5W J CRD20TJ103T
FRONT	R906		nsp	nsp	RES.	10K OHM 1/5W J CRD20TJ103T
FRONT	R907		nsp	nsp	RES.	10K OHM 1/5W J CRD20TJ103T
FRONT	R908		nsp	nsp	RES.	10K OHM 1/5W J CRD20TJ103T
FRONT	R909		nsp	nsp	RES.	10K OHM 1/5W J CRD20TJ103T
FRONT	R910		nsp	nsp	RES.	10K OHM 1/5W J CRD20TJ103T
FRONT	R911		nsp	nsp	RES.	10K OHM 1/5W J CRD20TJ103T
FRONT	R912		nsp	nsp	RES.	10K OHM 1/5W J CRD20TJ103T
FRONT	R913		nsp	nsp	RES.	10K OHM 1/5W J CRD20TJ103T
FRONT	R914		nsp	nsp	RES.	10K OHM 1/5W J CRD20TJ103T
FRONT	R915		nsp	nsp	RES.	10K OHM 1/5W J CRD20TJ103T
FRONT	R916		nsp	nsp	RES.	10K OHM 1/5W J CRD20TJ103T
FRONT	R917		nsp	nsp	RES.	47K OHM 1/5W J CRD20TJ473T
FRONT	R918		nsp	nsp	RES.	47K OHM 1/5W J CRD20TJ473T
FRONT	R919		nsp	nsp	RES.	47K OHM 1/5W J CRD20TJ473T
FRONT	R920		nsp	nsp	RES.	47K OHM 1/5W J CRD20TJ473T
FRONT	R921		nsp	nsp	RES.	47K OHM 1/5W J CRD20TJ473T
FRONT	R922		nsp	nsp	RES.	47K OHM 1/5W J CRD20TJ473T
FRONT	R923		nsp	nsp	RES.	47K OHM 1/5W J CRD20TJ473T
FRONT	R924		nsp	nsp	RES.	47K OHM 1/5W J CRD20TJ473T
FRONT	R925		nsp	nsp	RES.	47K OHM 1/5W J CRD20TJ473T
FRONT	R926		nsp	nsp	RES.	47K OHM 1/5W J CRD20TJ473T
FRONT	R927		nsp	nsp	RES.	47K OHM 1/5W J CRD20TJ473T
FRONT	R928		nsp	nsp	RES.	47K OHM 1/5W J CRD20TJ473T
FRONT	R929		nsp	nsp	RES.	47K OHM 1/5W J CRD20TJ473T
FRONT	R930		nsp	nsp	RES.	47K OHM 1/5W J CRD20TJ473T
FRONT	R931		nsp	nsp	RES.	47K OHM 1/5W J CRD20TJ473T
FRONT	R932		nsp	nsp	RES.	47K OHM 1/5W J CRD20TJ473T
FRONT	R933		nsp	nsp	RES.	47K OHM 1/5W J CRD20TJ473T
FRONT	R934		nsp	nsp	RES.	47K OHM 1/5W J CRD20TJ473T
FRONT	R935		nsp	nsp	RES.	47K OHM 1/5W J CRD20TJ473T
FRONT	R936		nsp	nsp	RES.	47K OHM 1/5W J CRD20TJ473T
FRONT	R937		nsp	nsp	RES.	47K OHM 1/5W J CRD20TJ473T
FRONT	R938		nsp	nsp	RES.	47K OHM 1/5W J CRD20TJ473T
FRONT	R939		nsp	nsp	RES.	47K OHM 1/5W J CRD20TJ473T
FRONT	R940		nsp	nsp	RES.	47K OHM 1/5W J CRD20TJ473T

NOTE : "nsp" PART IS LISTED FOR REFERENCE ONLY, MARANTZ WILL NOT SUPPLY THESE PARTS.

P.C.B. NAME	POS. NO.	VERS. COLOR	PART NO. (FOR EUR)	PART NO. (MZ)	PART NAME	DESCRIPTION
FRONT	R941		nsp	nsp	RES.	47K OHM 1/5W J CRD20TJ473T
FRONT	R942		nsp	nsp	RES.	47K OHM 1/5W J CRD20TJ473T
FRONT	R943		nsp	nsp	RES.	47K OHM 1/5W J CRD20TJ473T
FRONT	R944		nsp	nsp	RES.	47K OHM 1/5W J CRD20TJ473T
FRONT	R945		nsp	nsp	RES.	47K OHM 1/5W J CRD20TJ473T
FRONT	R946		nsp	nsp	RES.	47K OHM 1/5W J CRD20TJ473T
FRONT	R947		nsp	nsp	RES.	47K OHM 1/5W J CRD20TJ473T
FRONT	R948		nsp	nsp	RES.	47K OHM 1/5W J CRD20TJ473T
FRONT	R949		nsp	nsp	RES.	47K OHM 1/5W J CRD20TJ473T
FRONT	R950		nsp	nsp	RES.	47K OHM 1/5W J CRD20TJ473T
FRONT	R951		nsp	nsp	RES.	47K OHM 1/5W J CRD20TJ473T
FRONT	R952		nsp	nsp	RES.	47K OHM 1/5W J CRD20TJ473T
FRONT	R953		nsp	nsp	RES.	47K OHM 1/5W J CRD20TJ473T
FRONT	RC81		90M-HW100650R	90M-HW100650R	PHOTO UNIT	RPM6936-H4 HRVRPM6936H4
FRONT	SW71		90M-SP001210R	90M-SP001210R	SW	SKHV10910G TACT CST1A0122T
FRONT	SW72		90M-SP001210R	90M-SP001210R	SW	SKHV10910G TACT CST1A0122T
FRONT	SW73		90M-SP001210R	90M-SP001210R	SW	SKHV10910G TACT CST1A0122T
FRONT	SW74		90M-SP001210R	90M-SP001210R	SW	SKHV10910G TACT CST1A0122T
FRONT	SW77		90M-SP001210R	90M-SP001210R	SW	SKHV10910G TACT CST1A0122T
FRONT	SW78		90M-SP001210R	90M-SP001210R	SW	SKHV10910G TACT CST1A0122T
FRONT	SW79		90M-SP001210R	90M-SP001210R	SW	SKHV10910G TACT CST1A0122T
FRONT	SW80		90M-SP001210R	90M-SP001210R	SW	SKHV10910G TACT CST1A0122T
FRONT	SW81		90M-SP001210R	90M-SP001210R	SW	SKHV10910G TACT CST1A0122T
FRONT	SW82		90M-SP001210R	90M-SP001210R	SW	SKHV10910G TACT CST1A0122T
FRONT	SW83		90M-SP001210R	90M-SP001210R	SW	SKHV10910G TACT CST1A0122T
FRONT	SW84		90M-SP001210R	90M-SP001210R	SW	SKHV10910G TACT CST1A0122T
FRONT	SW86		90M-SP001210R	90M-SP001210R	SW	SKHV10910G TACT CST1A0122T
FRONT	SW87		90M-SP001210R	90M-SP001210R	SW	SKHV10910G TACT CST1A0122T
FRONT	SW88		90M-SP001210R	90M-SP001210R	SW	SKHV10910G TACT CST1A0122T
FRONT	SW89		90M-SP001210R	90M-SP001210R	SW	SKHV10910G TACT CST1A0122T
FRONT	SW90		90M-SP001210R	90M-SP001210R	SW	SKHV10910G TACT CST1A0122T
FRONT	SW91		90M-SP001210R	90M-SP001210R	SW	SKHV10910G TACT CST1A0122T
FRONT	SW92		90M-SP001210R	90M-SP001210R	SW	SKHV10910G TACT CST1A0122T
					H/P PWB (CUP11857-4)	
H/P	BN17		nsp	nsp	CORD	WIRE ASSY CWB1C905370EN
H/P	C874		nsp	nsp	CER. CAP.	100PF 50V KB CCKT1H101KB
H/P	C875		nsp	nsp	CER. CAP.	100PF 50V KB CCKT1H101KB
H/P	C876		nsp	nsp	CER. CAP.	0.1UF 50V Z HCBS1H104ZFT
H/P	JK81	/N1B	90M-YT003160R	90M-YT003160R	TERMINAL	HTJ-064-05NG HEADPHONE JACK CJJ2E020Z
H/P	JK81	/N1S	90M-YT004500R	90M-YT004500R	TERMINAL	JACK HEADPHONE(SILVER) CJJ2E026Z
H/P	JK81	/U1B	nsp	90M-YT003160R	TERMINAL	HTJ-064-05NG HEADPHONE JACK CJJ2E020Z
H/P	JW12		nsp	nsp	CORD	WIRE ASSY CWE8102050RV
H/P	R846		nsp	nsp	RES.	4.7K OHM 1/5W J CRD20TJ472T
H/P	R847		nsp	nsp	RES.	470 OHM 1/5W J CRD20TJ471T
					INPUT PWB (CUP11858Z)	
INPUT	BN14		nsp	nsp	CORD	WIRE ASSY CWZZR6001BN14
INPUT	BN29		nsp	nsp	CORD	WIRE ASSY CWB1C908450EN
INPUT	BN30		nsp	nsp	CORD	WIRE ASSY CWB1C909130EN
INPUT	BN31		nsp	nsp	CORD	WIRE ASSY CWB1B907120EN
INPUT	C100		nsp	00MOA22701620	ELECT CAP.	220UF 16V CCEA1CH221T
INPUT	C201		nsp	nsp	CER. CAP.	470PF 50V KB CCKT1H471KB
INPUT	C202		nsp	nsp	CER. CAP.	470PF 50V KB CCKT1H471KB
INPUT	C203		nsp	nsp	CER. CAP.	470PF 50V KB CCKT1H471KB
INPUT	C204		nsp	nsp	CER. CAP.	470PF 50V KB CCKT1H471KB
INPUT	C205		nsp	nsp	CER. CAP.	470PF 50V KB CCKT1H471KB
INPUT	C206		nsp	nsp	CER. CAP.	470PF 50V KB CCKT1H471KB
INPUT	C207		nsp	nsp	CER. CAP.	470PF 50V KB CCKT1H471KB
INPUT	C208		nsp	nsp	CER. CAP.	470PF 50V KB CCKT1H471KB
INPUT	C209		nsp	nsp	CER. CAP.	470PF 50V KB CCKT1H471KB
INPUT	C210		nsp	nsp	CER. CAP.	470PF 50V KB CCKT1H471KB
INPUT	C211		nsp	nsp	CER. CAP.	470PF 50V KB CCKT1H471KB
INPUT	C212		nsp	nsp	CER. CAP.	470PF 50V KB CCKT1H471KB
INPUT	C213		nsp	nsp	CER. CAP.	470PF 50V KB CCKT1H471KB
INPUT	C214		nsp	nsp	CER. CAP.	470PF 50V KB CCKT1H471KB
INPUT	C215		nsp	nsp	CER. CAP.	470PF 50V KB CCKT1H471KB
INPUT	C216		nsp	nsp	CER. CAP.	470PF 50V KB CCKT1H471KB
INPUT	C217		nsp	nsp	CER. CAP.	470PF 50V KB CCKT1H471KB

NOTE : *nsp* PART IS LISTED FOR REFERENCE ONLY, MARANTZ WILL NOT SUPPLY THESE PARTS.

P.C.B. NAME	POS. NO.	VERS. COLOR	PART NO. (FOR EUR)	PART NO. (MZ)	PART NAME	DESCRIPTION	
INPUT	C218		nsp	nsp	CER. CAP.	470PF 50V KB	CCKT1H471KB
INPUT	C219		nsp	nsp	CER. CAP.	470PF 50V KB	CCKT1H471KB
INPUT	C220		nsp	nsp	CER. CAP.	470PF 50V KB	CCKT1H471KB
INPUT	C221		nsp	nsp	CER. CAP.	470PF 50V KB	CCKT1H471KB
INPUT	C222		nsp	nsp	CER. CAP.	470PF 50V KB	CCKT1H471KB
INPUT	C223		nsp	00MOA10605020	ELECT CAP.	10UF 50V	CCEA1HH100T
INPUT	C224		nsp	00MOA10605020	ELECT CAP.	10UF 50V	CCEA1HH100T
INPUT	C225		nsp	00MOA10605020	ELECT CAP.	10UF 50V	CCEA1HH100T
INPUT	C226		nsp	00MOA10605020	ELECT CAP.	10UF 50V	CCEA1HH100T
INPUT	C227		nsp	00MOA10605020	ELECT CAP.	10UF 50V	CCEA1HH100T
INPUT	C228		nsp	00MOA10605020	ELECT CAP.	10UF 50V	CCEA1HH100T
INPUT	C229		nsp	00MOA10605020	ELECT CAP.	10UF 50V	CCEA1HH100T
INPUT	C230		nsp	00MOA10605020	ELECT CAP.	10UF 50V	CCEA1HH100T
INPUT	C231		nsp	nsp	CER. CAP.	470PF 50V KB	CCKT1H471KB
INPUT	C232		nsp	nsp	CER. CAP.	470PF 50V KB	CCKT1H471KB
INPUT	C233		nsp	nsp	CER. CAP.	470PF 50V KB	CCKT1H471KB
INPUT	C234		nsp	nsp	CER. CAP.	470PF 50V KB	CCKT1H471KB
INPUT	C235		nsp	nsp	CER. CAP.	470PF 50V KB	CCKT1H471KB
INPUT	C236		nsp	nsp	CER. CAP.	470PF 50V KB	CCKT1H471KB
INPUT	C237		nsp	nsp	CER. CAP.	470PF 50V KB	CCKT1H471KB
INPUT	C238		nsp	00MOA10605020	ELECT CAP.	10UF 50V	CCEA1HH100T
INPUT	C239		nsp	00MOA10605020	ELECT CAP.	10UF 50V	CCEA1HH100T
INPUT	C240		nsp	00MOA10605020	ELECT CAP.	10UF 50V	CCEA1HH100T
INPUT	C241		nsp	00MOA10605020	ELECT CAP.	10UF 50V	CCEA1HH100T
INPUT	C242		nsp	00MOA10605020	ELECT CAP.	10UF 50V	CCEA1HH100T
INPUT	C243		nsp	00MOA10605020	ELECT CAP.	10UF 50V	CCEA1HH100T
INPUT	C244		nsp	00MOA10605020	ELECT CAP.	10UF 50V	CCEA1HH100T
INPUT	C245		nsp	nsp	FILM CAP.	0.1UF 50V ZF	CCFT1H104ZF
INPUT	C246		nsp	nsp	FILM CAP.	0.1UF 50V ZF	CCFT1H104ZF
INPUT	C247		nsp	nsp	FILM CAP.	0.1UF 50V ZF	CCFT1H104ZF
INPUT	C248		nsp	nsp	FILM CAP.	0.1UF 50V ZF	CCFT1H104ZF
INPUT	C249		nsp	nsp	FILM CAP.	0.1UF 50V ZF	CCFT1H104ZF
INPUT	C250		nsp	nsp	FILM CAP.	0.1UF 50V ZF	CCFT1H104ZF
INPUT	C251		nsp	nsp	FILM CAP.	0.1UF 50V ZF	CCFT1H104ZF
INPUT	C252		nsp	nsp	FILM CAP.	0.1UF 50V ZF	CCFT1H104ZF
INPUT	C254		nsp	00MOA10605020	ELECT CAP.	10UF 50V	CCEA1HH100T
INPUT	C256		nsp	00MOA10605020	ELECT CAP.	10UF 50V	CCEA1HH100T
INPUT	C258		nsp	00MOA10605020	ELECT CAP.	10UF 50V	CCEA1HH100T
INPUT	C260		nsp	00MOA10605020	ELECT CAP.	10UF 50V	CCEA1HH100T
INPUT	C262		nsp	00MOA10605020	ELECT CAP.	10UF 50V	CCEA1HH100T
INPUT	C264		nsp	00MOA10605020	ELECT CAP.	10UF 50V	CCEA1HH100T
INPUT	C266		nsp	00MOA10605020	ELECT CAP.	10UF 50V	CCEA1HH100T
INPUT	C267		nsp	nsp	FILM CAP.	0.1UF 50V ZF	CCFT1H104ZF
INPUT	C268		nsp	nsp	FILM CAP.	0.1UF 50V ZF	CCFT1H104ZF
INPUT	C269		nsp	nsp	CER. CAP.	100PF 50V KB	CCKT1H101KB
INPUT	C270		nsp	nsp	FILM CAP.	0.1UF 50V ZF	CCFT1H104ZF
INPUT	C271		nsp	nsp	FILM CAP.	0.1UF 50V ZF	CCFT1H104ZF
INPUT	C272		nsp	nsp	CER. CAP.	100PF 50V KB	CCKT1H101KB
INPUT	C273		nsp	nsp	FILM CAP.	0.1UF 50V ZF	CCFT1H104ZF
INPUT	C274		nsp	nsp	FILM CAP.	0.1UF 50V ZF	CCFT1H104ZF
INPUT	C275		nsp	nsp	FILM CAP.	0.1UF 50V ZF	CCFT1H104ZF
INPUT	C276		nsp	nsp	FILM CAP.	0.1UF 50V ZF	CCFT1H104ZF
INPUT	C281		nsp	00MOA10605020	ELECT CAP.	10UF 50V	CCEA1HH100T
INPUT	C282		nsp	00MOA10605020	ELECT CAP.	10UF 50V	CCEA1HH100T
INPUT	C283		nsp	00MOA10605020	ELECT CAP.	10UF 50V	CCEA1HH100T
INPUT	C284		nsp	00MOA10605020	ELECT CAP.	10UF 50V	CCEA1HH100T
INPUT	C285		nsp	00MOA10605020	ELECT CAP.	10UF 50V	CCEA1HH100T
INPUT	C286		nsp	00MOA10605020	ELECT CAP.	10UF 50V	CCEA1HH100T
INPUT	C287		nsp	00MOA10605020	ELECT CAP.	10UF 50V	CCEA1HH100T
INPUT	C288		nsp	00MOA10605020	ELECT CAP.	10UF 50V	CCEA1HH100T
INPUT	C289		nsp	nsp	FILM CAP.	0.1UF 50V ZF	CCFT1H104ZF
INPUT	C290		nsp	nsp	FILM CAP.	0.1UF 50V ZF	CCFT1H104ZF
INPUT	C291		nsp	nsp	CER. CAP.	100PF 50V KB	CCKT1H101KB
INPUT	C292		nsp	00MOA22605020	ELECT CAP.	22UF 50V	CCEA1HH220T
INPUT	C293		nsp	00MOA22605020	ELECT CAP.	22UF 50V	CCEA1HH220T
INPUT	C294		nsp	00MOA22605020	ELECT CAP.	22UF 50V	CCEA1HH220T
INPUT	C295		nsp	00MOA22605020	ELECT CAP.	22UF 50V	CCEA1HH220T

NOTE : "nsp" PART IS LISTED FOR REFERENCE ONLY, MARANTZ WILL NOT SUPPLY THESE PARTS.

P.C.B. NAME	POS. NO.	VERS. COLOR	PART NO. (FOR EUR)	PART NO. (MZ)	PART NAME	DESCRIPTION
INPUT	C296		nsp	00MOA22605020	ELECT CAP.	22UF 50V CCEA1HH220T
INPUT	C297		nsp	00MOA22605020	ELECT CAP.	22UF 50V CCEA1HH220T
INPUT	C298		nsp	00MOA22605020	ELECT CAP.	22UF 50V CCEA1HH220T
INPUT	C299		nsp	00MOA47602520	ELECT CAP.	47UF 25V CCEA1EH470T
INPUT	C300		nsp	00MOA47602520	ELECT CAP.	47UF 25V CCEA1EH470T
INPUT	C301		nsp	00MOA47602520	ELECT CAP.	47UF 25V CCEA1EH470T
INPUT	C302		nsp	00MOA47602520	ELECT CAP.	47UF 25V CCEA1EH470T
INPUT	C303		nsp	nsp	FILM CAP.	0.1UF 50V ZF CCFT1H104ZF
INPUT	C304		nsp	nsp	FILM CAP.	0.1UF 50V ZF CCFT1H104ZF
INPUT	C305		nsp	nsp	FILM CAP.	0.1UF 50V ZF CCFT1H104ZF
INPUT	C306		nsp	nsp	FILM CAP.	0.1UF 50V ZF CCFT1H104ZF
INPUT	C307		nsp	nsp	CER. CAP.	100PF 50V KB CCKT1H101KB
INPUT	C308		nsp	nsp	CER. CAP.	100PF 50V KB CCKT1H101KB
INPUT	C309		nsp	nsp	FILM CAP.	0.1UF 50V ZF CCFT1H104ZF
INPUT	C310		nsp	nsp	FILM CAP.	0.1UF 50V ZF CCFT1H104ZF
INPUT	C311		nsp	nsp	FILM CAP.	0.1UF 50V ZF CCFT1H104ZF
INPUT	C312		nsp	nsp	FILM CAP.	0.1UF 50V ZF CCFT1H104ZF
INPUT	C313		nsp	nsp	FILM CAP.	0.1UF 50V ZF CCFT1H104ZF
INPUT	C314		nsp	nsp	FILM CAP.	0.1UF 50V ZF CCFT1H104ZF
INPUT	C315		nsp	nsp	FILM CAP.	0.1UF 50V ZF CCFT1H104ZF
INPUT	C316		nsp	nsp	FILM CAP.	0.1UF 50V ZF CCFT1H104ZF
INPUT	C317		nsp	nsp	CER. CAP.	100PF 50V KB CCKT1H101KB
INPUT	C318		nsp	nsp	CER. CAP.	100PF 50V KB CCKT1H101KB
INPUT	C319		nsp	nsp	CER. CAP.	100PF 50V KB CCKT1H101KB
INPUT	C320		nsp	nsp	CER. CAP.	100PF 50V KB CCKT1H101KB
INPUT	C321		nsp	nsp	CER. CAP.	100PF 50V KB CCKT1H101KB
INPUT	C322		nsp	nsp	CER. CAP.	100PF 50V KB CCKT1H101KB
INPUT	C323		nsp	nsp	CER. CAP.	100PF 50V KB CCKT1H101KB
INPUT	C324		nsp	nsp	CER. CAP.	470PF 50V KB CCKT1H471KB
INPUT	C325		nsp	nsp	CER. CAP.	470PF 50V KB CCKT1H471KB
INPUT	C326		nsp	nsp	CER. CAP.	470PF 50V KB CCKT1H471KB
INPUT	C327		nsp	nsp	CER. CAP.	470PF 50V KB CCKT1H471KB
INPUT	C328		nsp	nsp	CER. CAP.	470PF 50V KB CCKT1H471KB
INPUT	C329		nsp	00MOA22605020	ELECT CAP.	22UF 50V CCEA1HH220T
INPUT	C330		nsp	00MOA22605020	ELECT CAP.	22UF 50V CCEA1HH220T
INPUT	C331		nsp	00MOA22605020	ELECT CAP.	22UF 50V CCEA1HH220T
INPUT	C332		nsp	00MOA22605020	ELECT CAP.	22UF 50V CCEA1HH220T
INPUT	C333		nsp	00MOA22605020	ELECT CAP.	22UF 50V CCEA1HH220T
INPUT	C334		nsp	00MOA22605020	ELECT CAP.	22UF 50V CCEA1HH220T
INPUT	C335		nsp	00MOA22605020	ELECT CAP.	22UF 50V CCEA1HH220T
INPUT	C336		nsp	00MOA22605020	ELECT CAP.	22UF 50V CCEA1HH220T
INPUT	C337		nsp	00MOA22605020	ELECT CAP.	22UF 50V CCEA1HH220T
INPUT	C338		nsp	00MOA22605020	ELECT CAP.	22UF 50V CCEA1HH220T
INPUT	C339		nsp	00MOA22605020	ELECT CAP.	22UF 50V CCEA1HH220T
INPUT	C340		nsp	00MOA22605020	ELECT CAP.	22UF 50V CCEA1HH220T
INPUT	C341		nsp	00MOA22605020	ELECT CAP.	22UF 50V CCEA1HH220T
INPUT	C342		nsp	00MOA22605020	ELECT CAP.	22UF 50V CCEA1HH220T
INPUT	C343		nsp	00MOA47602520	ELECT CAP.	47UF 25V CCEA1EH470T
INPUT	C344		nsp	00MOA47602520	ELECT CAP.	47UF 25V CCEA1EH470T
INPUT	C345		nsp	00MOA47602520	ELECT CAP.	47UF 25V CCEA1EH470T
INPUT	C346		nsp	00MOA47602520	ELECT CAP.	47UF 25V CCEA1EH470T
INPUT	C347		nsp	00MOA47602520	ELECT CAP.	47UF 25V CCEA1EH470T
INPUT	C348		nsp	00MOA47602520	ELECT CAP.	47UF 25V CCEA1EH470T
INPUT	C349		nsp	00MOA47602520	ELECT CAP.	47UF 25V CCEA1EH470T
INPUT	C350		nsp	nsp	CER. CAP.	100PF 50V KB CCKT1H101KB
INPUT	C351		nsp	nsp	CER. CAP.	100PF 50V KB CCKT1H101KB
INPUT	C354		nsp	nsp	CER. CAP.	100PF 50V KB CCKT1H101KB
INPUT	C355		nsp	nsp	CER. CAP.	100PF 50V KB CCKT1H101KB
INPUT	C356		nsp	nsp	CER. CAP.	100PF 50V KB CCKT1H101KB
INPUT	C357		nsp	nsp	CER. CAP.	100PF 50V KB CCKT1H101KB
INPUT	C358		nsp	nsp	CER. CAP.	0.01UF 50V Z CCFT1H103ZF
INPUT	C359		nsp	nsp	FILM CAP.	0.1UF 50V ZF CCFT1H104ZF
INPUT	C360		nsp	nsp	CER. CAP.	0.01UF 50V Z CCFT1H103ZF
INPUT	C361		nsp	nsp	FILM CAP.	0.1UF 50V ZF CCFT1H104ZF
INPUT	C362		nsp	00MOA10701620	ELECT CAP.	100UF 16V CCEA1CH101T
INPUT	C363		nsp	00MOA10701620	ELECT CAP.	100UF 16V CCEA1CH101T
INPUT	C364		nsp	nsp	FILM CAP.	0.1UF 50V ZF CCFT1H104ZF

NOTE : *nsp* PART IS LISTED FOR REFERENCE ONLY, MARANTZ WILL NOT SUPPLY THESE PARTS.

P.C.B. NAME	POS. NO.	VERS. COLOR	PART NO. (FOR EUR)	PART NO. (MZ)	PART NAME	DESCRIPTION	
INPUT	C365		nsp	nsp	FILM CAP.	0.1UF 50V ZF	CCFT1H104ZF
INPUT	C366		nsp	nsp	FILM CAP.	0.1UF 50V ZF	CCFT1H104ZF
INPUT	C367		nsp	nsp	FILM CAP.	0.1UF 50V ZF	CCFT1H104ZF
INPUT	C368		nsp	nsp	FILM CAP.	0.1UF 50V ZF	CCFT1H104ZF
INPUT	C369		nsp	00MOA10701620	ELECT CAP.	100UF 16V	CCEA1CH101T
INPUT	C370		nsp	00MOA10701620	ELECT CAP.	100UF 16V	CCEA1CH101T
INPUT	C371		nsp	00MOA10701620	ELECT CAP.	100UF 16V	CCEA1CH101T
INPUT	C372		nsp	00MOA10701620	ELECT CAP.	100UF 16V	CCEA1CH101T
INPUT	C373		nsp	00MOA10701620	ELECT CAP.	100UF 16V	CCEA1CH101T
INPUT	C374		nsp	nsp	CER. CAP.	470PF 50V KB	CCKT1H471KB
INPUT	C375		nsp	nsp	CER. CAP.	470PF 50V KB	CCKT1H471KB
INPUT	C376		nsp	00MOA22605020	ELECT CAP.	22UF 50V	CCEA1HH220T
INPUT	C377		nsp	nsp	CER. CAP.	470PF 50V KB	CCKT1H471KB
INPUT	C378		nsp	nsp	CER. CAP.	470PF 50V KB	CCKT1H471KB
INPUT	C379		nsp	00MOA10605020	ELECT CAP.	10UF 50V	CCEA1HH100T
INPUT	C380		nsp	00MOA10605020	ELECT CAP.	10UF 50V	CCEA1HH100T
INPUT	C381		nsp	nsp	FILM CAP.	0.1UF 50V ZF	CCFT1H104ZF
INPUT	C382		nsp	nsp	FILM CAP.	0.1UF 50V ZF	CCFT1H104ZF
INPUT	C386		nsp	nsp	CER. CAP.	0.01UF 50V Z	CCFT1H103ZF
INPUT	C387		nsp	nsp	CER. CAP.	0.01UF 50V Z	CCFT1H103ZF
INPUT	C388		nsp	nsp	CER. CAP.	0.01UF 50V Z	CCFT1H103ZF
INPUT	C389		nsp	nsp	CER. CAP.	0.01UF 50V Z	CCFT1H103ZF
INPUT	C390		nsp	nsp	CER. CAP.	0.01UF 50V Z	CCFT1H103ZF
INPUT	C393		nsp	nsp	FILM CAP.	0.1UF 50V ZF	CCFT1H104ZF
INPUT	C394		nsp	00MOA10701620	ELECT CAP.	100UF 16V	CCEA1CH101T
INPUT	C395		nsp	nsp	FILM CAP.	0.1UF 50V ZF	CCFT1H104ZF
INPUT	C396		nsp	00MOA10701620	ELECT CAP.	100UF 16V	CCEA1CH101T
INPUT	C403		nsp	nsp	CER. CAP.	470PF 50V KB	CCKT1H471KB
INPUT	C404		nsp	00MOA10605020	ELECT CAP.	10UF 50V	CCEA1HH100T
INPUT	C406		nsp	00MOA10605020	ELECT CAP.	10UF 50V	CCEA1HH100T
INPUT	C407		nsp	nsp	FILM CAP.	0.1UF 50V ZF	CCFT1H104ZF
INPUT	C408		nsp	00MOA10605020	ELECT CAP.	10UF 50V	CCEA1HH100T
INPUT	C409		nsp	00MOA10605020	ELECT CAP.	10UF 50V	CCEA1HH100T
INPUT	C412		nsp	00MOA10605020	ELECT CAP.	10UF 50V	CCEA1HH100T
INPUT	C413		nsp	00MOA10605020	ELECT CAP.	10UF 50V	CCEA1HH100T
INPUT	C414		nsp	nsp	FILM CAP.	0.1UF 50V ZF	CCFT1H104ZF
INPUT	C415		nsp	00MOA22605020	ELECT CAP.	22UF 50V	CCEA1HH220T
INPUT	C416		nsp	00MOA22605020	ELECT CAP.	22UF 50V	CCEA1HH220T
INPUT	C417		nsp	00MOA22605020	ELECT CAP.	22UF 50V	CCEA1HH220T
INPUT	C418		nsp	00MOA22605020	ELECT CAP.	22UF 50V	CCEA1HH220T
INPUT	C419		nsp	00MOA22605020	ELECT CAP.	22UF 50V	CCEA1HH220T
INPUT	C420		nsp	00MOA22605020	ELECT CAP.	22UF 50V	CCEA1HH220T
INPUT	C421		nsp	nsp	CER. CAP.	100PF 50V KB	CCKT1H101KB
INPUT	C423		nsp	00MOA47602520	ELECT CAP.	47UF 25V	CCEA1EH470T
INPUT	C424		nsp	00MOA47602520	ELECT CAP.	47UF 25V	CCEA1EH470T
INPUT	C425		nsp	nsp	CER. CAP.	470PF 50V KB	CCKT1H471KB
INPUT	C426		nsp	nsp	CER. CAP.	470PF 50V KB	CCKT1H471KB
INPUT	C427		nsp	00MOA47602520	ELECT CAP.	47UF 25V	CCEA1EH470T
INPUT	C428		nsp	00MOA22605020	ELECT CAP.	22UF 50V	CCEA1HH220T
INPUT	C429		nsp	nsp	CER. CAP.	100PF 50V KB	CCKT1H101KB
INPUT	C430		nsp	00MOA47602520	ELECT CAP.	47UF 25V	CCEA1EH470T
INPUT	C431		nsp	nsp	CER. CAP.	470PF 50V KB	CCKT1H471KB
INPUT	C432		nsp	nsp	FILM CAP.	0.1UF 50V ZF	CCFT1H104ZF
INPUT	C433		nsp	nsp	FILM CAP.	0.1UF 50V ZF	CCFT1H104ZF
INPUT	C434		nsp	nsp	CER. CAP.	100PF 50V KB	CCKT1H101KB
INPUT	C442		nsp	nsp	CER. CAP.	100PF 50V KB	CCKT1H101KB
INPUT	CN11		nsp	nsp	CONN.	7P STRAIGHT	CJP07GA19ZY
INPUT	CN21		nsp	nsp	CONN.	6P STRAIGHT	CJP06GA19ZY
INPUT	CN22		nsp	nsp	CONN.	15P WAFER	CJP15GA19ZY
INPUT	CN23		nsp	nsp	CONN.	8P STRAIGHT	CJP08GA01ZY
INPUT	CN24		nsp	nsp	CONN.	6P STRAIGHT	CJP06GA19ZY
INPUT	CN25		nsp	nsp	CONN.	19P WAFER CARD CABLE	CJP19GA117ZY
INPUT	CN27		nsp	nsp	CONN.	17P WAFER CARD CABLE	CJP17GA115ZY
INPUT	D203		nsp	00MHD20015210	DIODE	1SS133T-77	HVD1SS133MT
INPUT	D205		nsp	00MHD20015210	DIODE	1SS133T-77	HVD1SS133MT
INPUT	D206		nsp	00MHD20015210	DIODE	1SS133T-77	HVD1SS133MT
INPUT	D207		nsp	00MHD20015210	DIODE	1SS133T-77	HVD1SS133MT

NOTE : "nsp" PART IS LISTED FOR REFERENCE ONLY, MARANTZ WILL NOT SUPPLY THESE PARTS.

P.C.B. NAME	POS. NO.	VERS. COLOR	PART NO. (FOR EUR)	PART NO. (MZ)	PART NAME	DESCRIPTION
INPUT	D208		nsp	00MHD20015210	DIODE	1SS133T-77 HVD1SS133MT
INPUT	D209		nsp	00MHD20015210	DIODE	1SS133T-77 HVD1SS133MT
INPUT	D210		nsp	00MHD20015210	DIODE	1SS133T-77 HVD1SS133MT
INPUT	D211		nsp	00MHD20015210	DIODE	1SS133T-77 HVD1SS133MT
INPUT	D212		nsp	00MHD20015210	DIODE	1SS133T-77 HVD1SS133MT
INPUT	D213		nsp	90M-HD201730R	DIODE	1N4003 KVD1N4003ST
INPUT	D214		nsp	90M-HD201730R	DIODE	1N4003 KVD1N4003ST
INPUT	D216		nsp	00MHD20015210	DIODE	1SS133T-77 HVD1SS133MT
INPUT	ET21		nsp	nsp	TERMINAL	EARTH PLATE CNE75
INPUT	IC21		00MHC10470050	00MHC10470050	IC	TC9164AN HVITC9164AN
INPUT	IC22		00MHC10468050	00MHC10468050	IC	TC9273N HVITC9273N
INPUT	IC23		00MHC10469050	00MHC10469050	IC	TC9162AN HVITC9162AN
INPUT	IC24		00MHC10467050	00MHC10467050	IC	TC9499N VOLUME HVITC9499N
INPUT	IC25		00MHC10467050	00MHC10467050	IC	TC9499N VOLUME HVITC9499N
INPUT	IC26		90M-HC300550R	90M-HC300550R	IC	KA7806 HVIMC7806
INPUT	IC27		90M-HC300540R	90M-HC300540R	IC	KA7906 HVIKA7906
INPUT	IC28		00MHC10053090	00MHC10053090	IC	NJM2068DD HVINJM2068DD
INPUT	IC29		00MHC10053090	00MHC10053090	IC	NJM2068DD HVINJM2068DD
INPUT	IC30		00MHC10053090	00MHC10053090	IC	NJM2068DD HVINJM2068DD
INPUT	IC31		00MHC10053090	00MHC10053090	IC	NJM2068DD HVINJM2068DD
INPUT	IC32		00MHC10053090	00MHC10053090	IC	NJM2068DD HVINJM2068DD
INPUT	IC33		00MHC10053090	00MHC10053090	IC	NJM2068DD HVINJM2068DD
INPUT	IC34		00MHC10053090	00MHC10053090	IC	NJM2068DD HVINJM2068DD
INPUT	IC35		00MHC10053090	00MHC10053090	IC	NJM2068DD HVINJM2068DD
INPUT	IC36		00MHC10053090	00MHC10053090	IC	NJM2068DD HVINJM2068DD
INPUT	IC37		00MHC10053090	00MHC10053090	IC	NJM2068DD HVINJM2068DD
INPUT	IC38		00MHC10468050	00MHC10468050	IC	TC9273N HVITC9273N
INPUT	IC40		00MHC10053090	00MHC10053090	IC	NJM2068DD HVINJM2068DD
INPUT	IC41		00MHC10053090	00MHC10053090	IC	NJM2068DD HVINJM2068DD
INPUT	J001		nsp	nsp	CORD	SN95/PB5, 0.6 C3A206
INPUT	J002		nsp	nsp	CORD	SN95/PB5, 0.6 C3A206
INPUT	J003		nsp	nsp	CORD	SN95/PB5, 0.6 C3A206
INPUT	J004		nsp	nsp	CORD	SN95/PB5, 0.6 C3A206
INPUT	J005		nsp	nsp	CORD	SN95/PB5, 0.6 C3A206
INPUT	J006		nsp	nsp	CORD	SN95/PB5, 0.6 C3A206
INPUT	J007		nsp	nsp	CORD	SN95/PB5, 0.6 C3A206
INPUT	J008		nsp	nsp	CORD	SN95/PB5, 0.6 C3A206
INPUT	J010		nsp	nsp	CORD	SN95/PB5, 0.6 C3A206
INPUT	J011		nsp	nsp	CORD	SN95/PB5, 0.6 C3A206
INPUT	J013		nsp	nsp	CORD	SN95/PB5, 0.6 C3A206
INPUT	J014		nsp	nsp	CORD	SN95/PB5, 0.6 C3A206
INPUT	J015		nsp	nsp	CORD	SN95/PB5, 0.6 C3A206
INPUT	J016		nsp	nsp	CORD	SN95/PB5, 0.6 C3A206
INPUT	J017		nsp	nsp	CORD	SN95/PB5, 0.6 C3A206
INPUT	J018		nsp	nsp	CORD	SN95/PB5, 0.6 C3A206
INPUT	J019		nsp	nsp	CORD	SN95/PB5, 0.6 C3A206
INPUT	J020		nsp	nsp	CORD	SN95/PB5, 0.6 C3A206
INPUT	J021		nsp	nsp	CORD	SN95/PB5, 0.6 C3A206
INPUT	J022		nsp	nsp	CORD	SN95/PB5, 0.6 C3A206
INPUT	J023		nsp	nsp	CORD	SN95/PB5, 0.6 C3A206
INPUT	J024		nsp	nsp	CORD	SN95/PB5, 0.6 C3A206
INPUT	J025		nsp	nsp	CORD	SN95/PB5, 0.6 C3A206
INPUT	J026		nsp	nsp	CORD	SN95/PB5, 0.6 C3A206
INPUT	J027		nsp	nsp	CORD	SN95/PB5, 0.6 C3A206
INPUT	J028		nsp	nsp	CORD	SN95/PB5, 0.6 C3A206
INPUT	J029		nsp	nsp	CORD	SN95/PB5, 0.6 C3A206
INPUT	J030		nsp	nsp	CORD	SN95/PB5, 0.6 C3A206
INPUT	J031		nsp	nsp	CORD	SN95/PB5, 0.6 C3A206
INPUT	J032		nsp	nsp	CORD	SN95/PB5, 0.6 C3A206
INPUT	J033		nsp	nsp	CORD	SN95/PB5, 0.6 C3A206
INPUT	J034		nsp	nsp	CORD	SN95/PB5, 0.6 C3A206
INPUT	J035		nsp	nsp	CORD	SN95/PB5, 0.6 C3A206
INPUT	J036		nsp	nsp	CORD	SN95/PB5, 0.6 C3A206
INPUT	J037		nsp	nsp	CORD	SN95/PB5, 0.6 C3A206
INPUT	J038		nsp	nsp	CORD	SN95/PB5, 0.6 C3A206
INPUT	J039		nsp	nsp	CORD	SN95/PB5, 0.6 C3A206
INPUT	J040		nsp	nsp	CORD	SN95/PB5, 0.6 C3A206

NOTE : *nsp* PART IS LISTED FOR REFERENCE ONLY, MARANTZ WILL NOT SUPPLY THESE PARTS.

P.C.B. NAME	POS. NO.	VERS. COLOR	PART NO. (FOR EUR)	PART NO. (MZ)	PART NAME	DESCRIPTION	
INPUT	J041		nsp	nsp	CORD	SN95/PB5, 0.6	C3A206
INPUT	J042		nsp	nsp	CORD	SN95/PB5, 0.6	C3A206
INPUT	J043		nsp	nsp	CORD	SN95/PB5, 0.6	C3A206
INPUT	J044		nsp	nsp	CORD	SN95/PB5, 0.6	C3A206
INPUT	J045		nsp	nsp	CORD	SN95/PB5, 0.6	C3A206
INPUT	J046		nsp	nsp	CORD	SN95/PB5, 0.6	C3A206
INPUT	J047		nsp	nsp	CORD	SN95/PB5, 0.6	C3A206
INPUT	J048		nsp	nsp	CORD	SN95/PB5, 0.6	C3A206
INPUT	J049		nsp	nsp	CORD	SN95/PB5, 0.6	C3A206
INPUT	J050		nsp	nsp	CORD	SN95/PB5, 0.6	C3A206
INPUT	J051		nsp	nsp	CORD	SN95/PB5, 0.6	C3A206
INPUT	J053		nsp	nsp	CORD	SN95/PB5, 0.6	C3A206
INPUT	J054		nsp	nsp	CORD	SN95/PB5, 0.6	C3A206
INPUT	J055		nsp	nsp	CORD	SN95/PB5, 0.6	C3A206
INPUT	J056		nsp	nsp	CORD	SN95/PB5, 0.6	C3A206
INPUT	J057		nsp	nsp	CORD	SN95/PB5, 0.6	C3A206
INPUT	J058		nsp	nsp	CORD	SN95/PB5, 0.6	C3A206
INPUT	J059		nsp	nsp	CORD	SN95/PB5, 0.6	C3A206
INPUT	J060		nsp	nsp	CORD	SN95/PB5, 0.6	C3A206
INPUT	J063		nsp	nsp	CORD	SN95/PB5, 0.6	C3A206
INPUT	J064		nsp	nsp	CORD	SN95/PB5, 0.6	C3A206
INPUT	J065		nsp	nsp	CORD	SN95/PB5, 0.6	C3A206
INPUT	J066		nsp	nsp	CORD	SN95/PB5, 0.6	C3A206
INPUT	J067		nsp	nsp	CORD	SN95/PB5, 0.6	C3A206
INPUT	J068		nsp	nsp	CORD	SN95/PB5, 0.6	C3A206
INPUT	J069		nsp	nsp	CORD	SN95/PB5, 0.6	C3A206
INPUT	J070		nsp	nsp	CORD	SN95/PB5, 0.6	C3A206
INPUT	J071		nsp	nsp	CORD	SN95/PB5, 0.6	C3A206
INPUT	J072		nsp	nsp	CORD	SN95/PB5, 0.6	C3A206
INPUT	J073		nsp	nsp	CORD	SN95/PB5, 0.6	C3A206
INPUT	J074		nsp	nsp	CORD	SN95/PB5, 0.6	C3A206
INPUT	J075		nsp	nsp	CORD	SN95/PB5, 0.6	C3A206
INPUT	J076		nsp	nsp	CORD	SN95/PB5, 0.6	C3A206
INPUT	J077		nsp	nsp	CORD	SN95/PB5, 0.6	C3A206
INPUT	J078		nsp	nsp	CORD	SN95/PB5, 0.6	C3A206
INPUT	J079		nsp	nsp	CORD	SN95/PB5, 0.6	C3A206
INPUT	J080		nsp	nsp	CORD	SN95/PB5, 0.6	C3A206
INPUT	J081		nsp	nsp	CORD	SN95/PB5, 0.6	C3A206
INPUT	J082		nsp	nsp	CORD	SN95/PB5, 0.6	C3A206
INPUT	J083		nsp	nsp	CORD	SN95/PB5, 0.6	C3A206
INPUT	J084		nsp	nsp	CORD	SN95/PB5, 0.6	C3A206
INPUT	J085		nsp	nsp	CORD	SN95/PB5, 0.6	C3A206
INPUT	J087		nsp	nsp	CORD	SN95/PB5, 0.6	C3A206
INPUT	J089		nsp	nsp	CORD	SN95/PB5, 0.6	C3A206
INPUT	J090		nsp	nsp	CORD	SN95/PB5, 0.6	C3A206
INPUT	J091		nsp	nsp	CORD	SN95/PB5, 0.6	C3A206
INPUT	J092		nsp	nsp	CORD	SN95/PB5, 0.6	C3A206
INPUT	J093		nsp	nsp	CORD	SN95/PB5, 0.6	C3A206
INPUT	J094		nsp	nsp	CORD	SN95/PB5, 0.6	C3A206
INPUT	J095		nsp	nsp	CORD	SN95/PB5, 0.6	C3A206
INPUT	J096		nsp	nsp	CORD	SN95/PB5, 0.6	C3A206
INPUT	J097		nsp	nsp	CORD	SN95/PB5, 0.6	C3A206
INPUT	J098		nsp	nsp	CORD	SN95/PB5, 0.6	C3A206
INPUT	J100		nsp	nsp	CORD	SN95/PB5, 0.6	C3A206
INPUT	J101		nsp	nsp	CORD	SN95/PB5, 0.6	C3A206
INPUT	J102		nsp	nsp	CORD	SN95/PB5, 0.6	C3A206
INPUT	J103		nsp	nsp	CORD	SN95/PB5, 0.6	C3A206
INPUT	J105		nsp	nsp	CORD	SN95/PB5, 0.6	C3A206
INPUT	J106		nsp	nsp	CORD	SN95/PB5, 0.6	C3A206
INPUT	J107		nsp	nsp	CORD	SN95/PB5, 0.6	C3A206
INPUT	J108		nsp	nsp	CORD	SN95/PB5, 0.6	C3A206
INPUT	J109		nsp	nsp	CORD	SN95/PB5, 0.6	C3A206
INPUT	J110		nsp	nsp	CORD	SN95/PB5, 0.6	C3A206
INPUT	J111		nsp	nsp	CORD	SN95/PB5, 0.6	C3A206
INPUT	J112		nsp	nsp	CORD	SN95/PB5, 0.6	C3A206
INPUT	J113		nsp	nsp	CORD	SN95/PB5, 0.6	C3A206
INPUT	J114		nsp	nsp	CORD	SN95/PB5, 0.6	C3A206

NOTE : "nsp" PART IS LISTED FOR REFERENCE ONLY, MARANTZ WILL NOT SUPPLY THESE PARTS.

P.C.B. NAME	POS. NO.	VERS. COLOR	PART NO. (FOR EUR)	PART NO. (MZ)	PART NAME	DESCRIPTION
INPUT	J115		nsp	nsp	CORD	SN95/PB5, 0.6 C3A206
INPUT	J116		nsp	nsp	CORD	SN95/PB5, 0.6 C3A206
INPUT	J117		nsp	nsp	CORD	SN95/PB5, 0.6 C3A206
INPUT	J118		nsp	nsp	CORD	SN95/PB5, 0.6 C3A206
INPUT	J119		nsp	nsp	CORD	SN95/PB5, 0.6 C3A206
INPUT	J120		nsp	nsp	CORD	SN95/PB5, 0.6 C3A206
INPUT	J121		nsp	nsp	CORD	SN95/PB5, 0.6 C3A206
INPUT	J122		nsp	nsp	CORD	SN95/PB5, 0.6 C3A206
INPUT	J123		nsp	nsp	CORD	SN95/PB5, 0.6 C3A206
INPUT	J124		nsp	nsp	CORD	SN95/PB5, 0.6 C3A206
INPUT	J125		nsp	nsp	CORD	SN95/PB5, 0.6 C3A206
INPUT	J126		nsp	nsp	CORD	SN95/PB5, 0.6 C3A206
INPUT	J127		nsp	nsp	CORD	SN95/PB5, 0.6 C3A206
INPUT	J129		nsp	nsp	CORD	SN95/PB5, 0.6 C3A206
INPUT	J131		nsp	nsp	CORD	SN95/PB5, 0.6 C3A206
INPUT	J132		nsp	nsp	CORD	SN95/PB5, 0.6 C3A206
INPUT	J133		nsp	nsp	CORD	SN95/PB5, 0.6 C3A206
INPUT	J135		nsp	nsp	CORD	SN95/PB5, 0.6 C3A206
INPUT	J136		nsp	nsp	CORD	SN95/PB5, 0.6 C3A206
INPUT	J137		nsp	nsp	CORD	SN95/PB5, 0.6 C3A206
INPUT	J138		nsp	nsp	CORD	SN95/PB5, 0.6 C3A206
INPUT	J139		nsp	nsp	CORD	SN95/PB5, 0.6 C3A206
INPUT	J140		nsp	nsp	CORD	SN95/PB5, 0.6 C3A206
INPUT	J141		nsp	nsp	CORD	SN95/PB5, 0.6 C3A206
INPUT	J142		nsp	nsp	CORD	SN95/PB5, 0.6 C3A206
INPUT	J143		nsp	nsp	CORD	SN95/PB5, 0.6 C3A206
INPUT	J144		nsp	nsp	CORD	SN95/PB5, 0.6 C3A206
INPUT	J145		nsp	nsp	CORD	SN95/PB5, 0.6 C3A206
INPUT	J146		nsp	nsp	CORD	SN95/PB5, 0.6 C3A206
INPUT	J149		nsp	nsp	CORD	SN95/PB5, 0.6 C3A206
INPUT	J150		nsp	nsp	CORD	SN95/PB5, 0.6 C3A206
INPUT	J151		nsp	nsp	CORD	SN95/PB5, 0.6 C3A206
INPUT	J152		nsp	nsp	CORD	SN95/PB5, 0.6 C3A206
INPUT	J153		nsp	nsp	CORD	SN95/PB5, 0.6 C3A206
INPUT	J154		nsp	nsp	CORD	SN95/PB5, 0.6 C3A206
INPUT	J155		nsp	nsp	CORD	SN95/PB5, 0.6 C3A206
INPUT	J156		nsp	nsp	CORD	SN95/PB5, 0.6 C3A206
INPUT	J157		nsp	nsp	CORD	SN95/PB5, 0.6 C3A206
INPUT	J158		nsp	nsp	CORD	SN95/PB5, 0.6 C3A206
INPUT	J159		nsp	nsp	CORD	SN95/PB5, 0.6 C3A206
INPUT	J160		nsp	nsp	CORD	SN95/PB5, 0.6 C3A206
INPUT	J161		nsp	nsp	CORD	SN95/PB5, 0.6 C3A206
INPUT	J162		nsp	nsp	CORD	SN95/PB5, 0.6 C3A206
INPUT	J163		nsp	nsp	CORD	SN95/PB5, 0.6 C3A206
INPUT	J164		nsp	nsp	CORD	SN95/PB5, 0.6 C3A206
INPUT	J165		nsp	nsp	CORD	SN95/PB5, 0.6 C3A206
INPUT	J166		nsp	nsp	CORD	SN95/PB5, 0.6 C3A206
INPUT	J167		nsp	nsp	CORD	SN95/PB5, 0.6 C3A206
INPUT	J168		nsp	nsp	CORD	SN95/PB5, 0.6 C3A206
INPUT	J169		nsp	nsp	CORD	SN95/PB5, 0.6 C3A206
INPUT	J170		nsp	nsp	CORD	SN95/PB5, 0.6 C3A206
INPUT	J171		nsp	nsp	CORD	SN95/PB5, 0.6 C3A206
INPUT	J172		nsp	nsp	CORD	SN95/PB5, 0.6 C3A206
INPUT	J174		nsp	nsp	CORD	SN95/PB5, 0.6 C3A206
INPUT	J175		nsp	nsp	CORD	SN95/PB5, 0.6 C3A206
INPUT	J176		nsp	nsp	CORD	SN95/PB5, 0.6 C3A206
INPUT	J177		nsp	nsp	CORD	SN95/PB5, 0.6 C3A206
INPUT	J178		nsp	nsp	CORD	SN95/PB5, 0.6 C3A206
INPUT	J179		nsp	nsp	CORD	SN95/PB5, 0.6 C3A206
INPUT	J180		nsp	nsp	CORD	SN95/PB5, 0.6 C3A206
INPUT	J181		nsp	nsp	CORD	SN95/PB5, 0.6 C3A206
INPUT	J182		nsp	nsp	CORD	SN95/PB5, 0.6 C3A206
INPUT	J183		nsp	nsp	CORD	SN95/PB5, 0.6 C3A206
INPUT	J184		nsp	nsp	CORD	SN95/PB5, 0.6 C3A206
INPUT	J186		nsp	nsp	CORD	SN95/PB5, 0.6 C3A206
INPUT	J187		nsp	nsp	CORD	SN95/PB5, 0.6 C3A206
INPUT	J188		nsp	nsp	CORD	SN95/PB5, 0.6 C3A206

NOTE : *nsp* PART IS LISTED FOR REFERENCE ONLY, MARANTZ WILL NOT SUPPLY THESE PARTS.

P.C.B. NAME	POS. NO.	VERS. COLOR	PART NO. (FOR EUR)	PART NO. (MZ)	PART NAME	DESCRIPTION	
INPUT	J189		nsp	nsp	CORD	SN95/PB5, 0.6	C3A206
INPUT	J191		nsp	nsp	CORD	SN95/PB5, 0.6	C3A206
INPUT	J192		nsp	nsp	CORD	SN95/PB5, 0.6	C3A206
INPUT	J193		nsp	nsp	CORD	SN95/PB5, 0.6	C3A206
INPUT	J194		nsp	nsp	CORD	SN95/PB5, 0.6	C3A206
INPUT	J196		nsp	nsp	CORD	SN95/PB5, 0.6	C3A206
INPUT	J197		nsp	nsp	CORD	SN95/PB5, 0.6	C3A206
INPUT	J198		nsp	nsp	CORD	SN95/PB5, 0.6	C3A206
INPUT	J199		nsp	nsp	CORD	SN95/PB5, 0.6	C3A206
INPUT	J200		nsp	nsp	CORD	SN95/PB5, 0.6	C3A206
INPUT	J201		nsp	nsp	CORD	SN95/PB5, 0.6	C3A206
INPUT	J202		nsp	nsp	CORD	SN95/PB5, 0.6	C3A206
INPUT	J203		nsp	nsp	CORD	SN95/PB5, 0.6	C3A206
INPUT	J204		nsp	nsp	CORD	SN95/PB5, 0.6	C3A206
INPUT	J205		nsp	nsp	CORD	SN95/PB5, 0.6	C3A206
INPUT	J206		nsp	nsp	CORD	SN95/PB5, 0.6	C3A206
INPUT	J210		nsp	nsp	CORD	SN95/PB5, 0.6	C3A206
INPUT	J211		nsp	nsp	CORD	SN95/PB5, 0.6	C3A206
INPUT	J212		nsp	nsp	CORD	SN95/PB5, 0.6	C3A206
INPUT	J214		nsp	nsp	CORD	SN95/PB5, 0.6	C3A206
INPUT	J215		nsp	nsp	CORD	SN95/PB5, 0.6	C3A206
INPUT	J216		nsp	nsp	CORD	SN95/PB5, 0.6	C3A206
INPUT	J217		nsp	nsp	CORD	SN95/PB5, 0.6	C3A206
INPUT	J218		nsp	nsp	CORD	SN95/PB5, 0.6	C3A206
INPUT	J219		nsp	nsp	CORD	SN95/PB5, 0.6	C3A206
INPUT	J220		nsp	nsp	CORD	SN95/PB5, 0.6	C3A206
INPUT	J221		nsp	nsp	CORD	SN95/PB5, 0.6	C3A206
INPUT	J222		nsp	nsp	CORD	SN95/PB5, 0.6	C3A206
INPUT	J223		nsp	nsp	CORD	SN95/PB5, 0.6	C3A206
INPUT	J224		nsp	nsp	CORD	SN95/PB5, 0.6	C3A206
INPUT	J225		nsp	nsp	CORD	SN95/PB5, 0.6	C3A206
INPUT	J228		nsp	nsp	CORD	SN95/PB5, 0.6	C3A206
INPUT	J229		nsp	nsp	CORD	SN95/PB5, 0.6	C3A206
INPUT	J230		nsp	nsp	CORD	SN95/PB5, 0.6	C3A206
INPUT	J231		nsp	nsp	CORD	SN95/PB5, 0.6	C3A206
INPUT	J233		nsp	nsp	CORD	SN95/PB5, 0.6	C3A206
INPUT	J234		nsp	nsp	CORD	SN95/PB5, 0.6	C3A206
INPUT	J235		nsp	nsp	CORD	SN95/PB5, 0.6	C3A206
INPUT	J236		nsp	nsp	CORD	SN95/PB5, 0.6	C3A206
INPUT	J237		nsp	nsp	CORD	SN95/PB5, 0.6	C3A206
INPUT	J238		nsp	nsp	CORD	SN95/PB5, 0.6	C3A206
INPUT	J240		nsp	nsp	CORD	SN95/PB5, 0.6	C3A206
INPUT	J242		nsp	nsp	CORD	SN95/PB5, 0.6	C3A206
INPUT	J243		nsp	nsp	CORD	SN95/PB5, 0.6	C3A206
INPUT	J244		nsp	nsp	CORD	SN95/PB5, 0.6	C3A206
INPUT	J245		nsp	nsp	CORD	SN95/PB5, 0.6	C3A206
INPUT	J246		nsp	nsp	CORD	SN95/PB5, 0.6	C3A206
INPUT	J247		nsp	nsp	CORD	SN95/PB5, 0.6	C3A206
INPUT	J248		nsp	nsp	CORD	SN95/PB5, 0.6	C3A206
INPUT	J249		nsp	nsp	CORD	SN95/PB5, 0.6	C3A206
INPUT	J250		nsp	nsp	CORD	SN95/PB5, 0.6	C3A206
INPUT	J251		nsp	nsp	CORD	SN95/PB5, 0.6	C3A206
INPUT	J252		nsp	nsp	CORD	SN95/PB5, 0.6	C3A206
INPUT	J253		nsp	nsp	CORD	SN95/PB5, 0.6	C3A206
INPUT	J254		nsp	nsp	CORD	SN95/PB5, 0.6	C3A206
INPUT	J255		nsp	nsp	CORD	SN95/PB5, 0.6	C3A206
INPUT	J256		nsp	nsp	CORD	SN95/PB5, 0.6	C3A206
INPUT	J257		nsp	nsp	CORD	SN95/PB5, 0.6	C3A206
INPUT	J258		nsp	nsp	CORD	SN95/PB5, 0.6	C3A206
INPUT	J259		nsp	nsp	CORD	SN95/PB5, 0.6	C3A206
INPUT	J260		nsp	nsp	CORD	SN95/PB5, 0.6	C3A206
INPUT	J261		nsp	nsp	CORD	SN95/PB5, 0.6	C3A206
INPUT	J262		nsp	nsp	CORD	SN95/PB5, 0.6	C3A206
INPUT	J263		nsp	nsp	CORD	SN95/PB5, 0.6	C3A206
INPUT	J264		nsp	nsp	CORD	SN95/PB5, 0.6	C3A206
INPUT	J265		nsp	nsp	CORD	SN95/PB5, 0.6	C3A206
INPUT	J266		nsp	nsp	CORD	SN95/PB5, 0.6	C3A206

NOTE : "nsp" PART IS LISTED FOR REFERENCE ONLY, MARANTZ WILL NOT SUPPLY THESE PARTS.

P.C.B. NAME	POS. NO.	VERS. COLOR	PART NO. (FOR EUR)	PART NO. (MZ)	PART NAME	DESCRIPTION
INPUT	J267		nsp	nsp	CORD	SN95/PB5, 0.6 C3A206
INPUT	J268		nsp	nsp	CORD	SN95/PB5, 0.6 C3A206
INPUT	J269		nsp	nsp	CORD	SN95/PB5, 0.6 C3A206
INPUT	J270		nsp	nsp	CORD	SN95/PB5, 0.6 C3A206
INPUT	J271		nsp	nsp	CORD	SN95/PB5, 0.6 C3A206
INPUT	J272		nsp	nsp	CORD	SN95/PB5, 0.6 C3A206
INPUT	J273		nsp	nsp	CORD	SN95/PB5, 0.6 C3A206
INPUT	J274		nsp	nsp	CORD	SN95/PB5, 0.6 C3A206
INPUT	J275		nsp	nsp	CORD	SN95/PB5, 0.6 C3A206
INPUT	J279		nsp	nsp	CORD	SN95/PB5, 0.6 C3A206
INPUT	J280		nsp	nsp	CORD	SN95/PB5, 0.6 C3A206
INPUT	J286		nsp	nsp	CORD	SN95/PB5, 0.6 C3A206
INPUT	J287		nsp	nsp	CORD	SN95/PB5, 0.6 C3A206
INPUT	J289		nsp	nsp	CORD	SN95/PB5, 0.6 C3A206
INPUT	J290		nsp	nsp	CORD	SN95/PB5, 0.6 C3A206
INPUT	J295		nsp	nsp	CORD	SN95/PB5, 0.6 C3A206
INPUT	J297		nsp	nsp	CORD	SN95/PB5, 0.6 C3A206
INPUT	J298		nsp	nsp	CORD	SN95/PB5, 0.6 C3A206
INPUT	J299		nsp	nsp	CORD	SN95/PB5, 0.6 C3A206
INPUT	J301		nsp	nsp	CORD	SN95/PB5, 0.6 C3A206
INPUT	J313		nsp	nsp	CORD	SN95/PB5, 0.6 C3A206
INPUT	J318		nsp	nsp	CORD	SN95/PB5, 0.6 C3A206
INPUT	J319		nsp	nsp	CORD	SN95/PB5, 0.6 C3A206
INPUT	J856		nsp	nsp	CORD	SN95/PB5, 0.6 C3A206
INPUT	J857		nsp	nsp	CORD	SN95/PB5, 0.6 C3A206
INPUT	J858		nsp	nsp	CORD	SN95/PB5, 0.6 C3A206
INPUT	J859		nsp	nsp	CORD	SN95/PB5, 0.6 C3A206
INPUT	J860		nsp	nsp	CORD	SN95/PB5, 0.6 C3A206
INPUT	J861		nsp	nsp	CORD	SN95/PB5, 0.6 C3A206
INPUT	J862		nsp	nsp	CORD	SN95/PB5, 0.6 C3A206
INPUT	J863		nsp	nsp	CORD	SN95/PB5, 0.6 C3A206
INPUT	J864		nsp	nsp	CORD	SN95/PB5, 0.6 C3A206
INPUT	J865		nsp	nsp	CORD	SN95/PB5, 0.6 C3A206
INPUT	J866		nsp	nsp	CORD	SN95/PB5, 0.6 C3A206
INPUT	J867		nsp	nsp	CORD	SN95/PB5, 0.6 C3A206
INPUT	J868		nsp	nsp	CORD	SN95/PB5, 0.6 C3A206
INPUT	J869		nsp	nsp	CORD	SN95/PB5, 0.6 C3A206
INPUT	J871		nsp	nsp	CORD	SN95/PB5, 0.6 C3A206
INPUT	J872		nsp	nsp	CORD	SN95/PB5, 0.6 C3A206
INPUT	J873		nsp	nsp	CORD	SN95/PB5, 0.6 C3A206
INPUT	J874		nsp	nsp	CORD	SN95/PB5, 0.6 C3A206
INPUT	J875		nsp	nsp	CORD	SN95/PB5, 0.6 C3A206
INPUT	J876		nsp	nsp	CORD	SN95/PB5, 0.6 C3A206
INPUT	J877		nsp	nsp	CORD	SN95/PB5, 0.6 C3A206
INPUT	J878		nsp	nsp	CORD	SN95/PB5, 0.6 C3A206
INPUT	J879		nsp	nsp	CORD	SN95/PB5, 0.6 C3A206
INPUT	J880		nsp	nsp	CORD	SN95/PB5, 0.6 C3A206
INPUT	J881		nsp	nsp	CORD	SN95/PB5, 0.6 C3A206
INPUT	J882		nsp	nsp	CORD	SN95/PB5, 0.6 C3A206
INPUT	J883		nsp	nsp	CORD	SN95/PB5, 0.6 C3A206
INPUT	J884		nsp	nsp	CORD	SN95/PB5, 0.6 C3A206
INPUT	J885		nsp	nsp	CORD	SN95/PB5, 0.6 C3A206
INPUT	J886		nsp	nsp	CORD	SN95/PB5, 0.6 C3A206
INPUT	J887		nsp	nsp	CORD	SN95/PB5, 0.6 C3A206
INPUT	J888		nsp	nsp	CORD	SN95/PB5, 0.6 C3A206
INPUT	J889		nsp	nsp	CORD	SN95/PB5, 0.6 C3A206
INPUT	J900		nsp	nsp	CORD	SN95/PB5, 0.6 C3A206
INPUT	J901		nsp	nsp	CORD	SN95/PB5, 0.6 C3A206
INPUT	J990		nsp	nsp	CORD	SN95/PB5, 0.6 C3A206
INPUT	J991		nsp	nsp	CORD	SN95/PB5, 0.6 C3A206
INPUT	J992		nsp	nsp	CORD	SN95/PB5, 0.6 C3A206
INPUT	J993		nsp	nsp	CORD	SN95/PB5, 0.6 C3A206
INPUT	J994		nsp	nsp	CORD	SN95/PB5, 0.6 C3A206
INPUT	J995		nsp	nsp	CORD	SN95/PB5, 0.6 C3A206
INPUT	J996		nsp	nsp	CORD	SN95/PB5, 0.6 C3A206
INPUT	J997		nsp	nsp	CORD	SN95/PB5, 0.6 C3A206
INPUT	J998		nsp	nsp	CORD	SN95/PB5, 0.6 C3A206

NOTE : *nsp* PART IS LISTED FOR REFERENCE ONLY, MARANTZ WILL NOT SUPPLY THESE PARTS.

P.C.B. NAME	POS. NO.	VERS. COLOR	PART NO. (FOR EUR)	PART NO. (MZ)	PART NAME	DESCRIPTION	
INPUT	J999		nsp	nsp	CORD	SN95/PB5, 0.6	C3A206
INPUT	JK21		90M-YT002960R	90M-YT002960R	TERMINAL	CINCH 6P AUDIO	CJJ4R019Z
INPUT	JK22		90M-YT002960R	90M-YT002960R	TERMINAL	CINCH 6P AUDIO	CJJ4R019Z
INPUT	JK23		90M-YT002960R	90M-YT002960R	TERMINAL	CINCH 6P AUDIO	CJJ4R019Z
INPUT	JK24		90M-YT002960R	90M-YT002960R	TERMINAL	CINCH 6P AUDIO	CJJ4R019Z
INPUT	JK25		90M-YT004050R	90M-YT004050R	TERMINAL	RCA-401DA-16	CJJ4P052Z
INPUT	JK26		90M-YT004040R	90M-YT004040R	TERMINAL	RCA-401DA-28	CJJ4P051Z
INPUT	Q201		00MHT805501B0	00MHT805501B0	TRS.	KTC2874B	HVTKTC2874BT
INPUT	Q202		00MHT805501B0	00MHT805501B0	TRS.	KTC2874B	HVTKTC2874BT
INPUT	Q203		00MHT805501B0	00MHT805501B0	TRS.	KTC2874B	HVTKTC2874BT
INPUT	Q204		00MHT805501B0	00MHT805501B0	TRS.	KTC2874B	HVTKTC2874BT
INPUT	Q205		00MHT805501B0	00MHT805501B0	TRS.	KTC2874B	HVTKTC2874BT
INPUT	Q206		00MHT805501B0	00MHT805501B0	TRS.	KTC2874B	HVTKTC2874BT
INPUT	Q207		00MHT805501B0	00MHT805501B0	TRS.	KTC2874B	HVTKTC2874BT
INPUT	Q208		00MHT805501B0	00MHT805501B0	TRS.	KTC2874B	HVTKTC2874BT
INPUT	Q209		00MHT805501B0	00MHT805501B0	TRS.	KTC2874B	HVTKTC2874BT
INPUT	Q210		00MHT805501B0	00MHT805501B0	TRS.	KTC2874B	HVTKTC2874BT
INPUT	Q211		00MHT805501B0	00MHT805501B0	TRS.	KTC2874B	HVTKTC2874BT
INPUT	Q212		00MHT805501B0	00MHT805501B0	TRS.	KTC2874B	HVTKTC2874BT
INPUT	Q213		00MHT805501B0	00MHT805501B0	TRS.	KTC2874B	HVTKTC2874BT
INPUT	Q214		00MHT805501B0	00MHT805501B0	TRS.	KTC2874B	HVTKTC2874BT
INPUT	Q215		00MBA10002000	00MBA10002000	TRS.	KRA104M	HVTKRA104MT
INPUT	Q216		00MBA10002000	00MBA10002000	TRS.	KRA104M	HVTKRA104MT
INPUT	Q217		00MBA10002000	00MBA10002000	TRS.	KRA104M	HVTKRA104MT
INPUT	Q218		00MBA10002000	00MBA10002000	TRS.	KRA104M	HVTKRA104MT
INPUT	Q219		00MBA10002000	00MBA10002000	TRS.	KRA104M	HVTKRA104MT
INPUT	Q220		00MBA10002000	00MBA10002000	TRS.	KRA104M	HVTKRA104MT
INPUT	Q221		00MBA20002000	00MBA20002000	TRS.	KRC104M	HVTKRC104MT
INPUT	Q222		00MBA20002000	00MBA20002000	TRS.	KRC104M	HVTKRC104MT
INPUT	Q223		00MBA20002000	00MBA20002000	TRS.	KRC104M	HVTKRC104MT
INPUT	Q224		00MBA20002000	00MBA20002000	TRS.	KRC104M	HVTKRC104MT
INPUT	Q225		00MBA20002000	00MBA20002000	TRS.	KRC104M	HVTKRC104MT
INPUT	Q226		00MBA20002000	00MBA20002000	TRS.	KRC104M	HVTKRC104MT
INPUT	Q233		00MHT805501B0	00MHT805501B0	TRS.	KTC2874B	HVTKTC2874BT
INPUT	Q234		00MHT805501B0	00MHT805501B0	TRS.	KTC2874B	HVTKTC2874BT
INPUT	Q235		00MHT805501B0	00MHT805501B0	TRS.	KTC2874B	HVTKTC2874BT
INPUT	Q237		00MHT805501B0	00MHT805501B0	TRS.	KTC2874B	HVTKTC2874BT
INPUT	Q238		00MHT805501B0	00MHT805501B0	TRS.	KTC2874B	HVTKTC2874BT
INPUT	Q239		00MHT805501B0	00MHT805501B0	TRS.	KTC2874B	HVTKTC2874BT
INPUT	Q240		00MBA10002000	00MBA10002000	TRS.	KRA104M	HVTKRA104MT
INPUT	Q241		00MBA20002000	00MBA20002000	TRS.	KRC104M	HVTKRC104MT
INPUT	R201		nsp	nsp	RES.	100 OHM 1/5W J	CRD20TJ101T
INPUT	R202		nsp	nsp	RES.	100 OHM 1/5W J	CRD20TJ101T
INPUT	R203		nsp	nsp	RES.	100 OHM 1/5W J	CRD20TJ101T
INPUT	R204		nsp	nsp	RES.	100 OHM 1/5W J	CRD20TJ101T
INPUT	R205		nsp	nsp	RES.	100 OHM 1/5W J	CRD20TJ101T
INPUT	R206		nsp	nsp	RES.	100 OHM 1/5W J	CRD20TJ101T
INPUT	R207		nsp	nsp	RES.	1K OHM 1/5W J	CRD20TJ102T
INPUT	R208		nsp	nsp	RES.	1K OHM 1/5W J	CRD20TJ102T
INPUT	R209		nsp	nsp	RES.	100 OHM 1/5W J	CRD20TJ101T
INPUT	R210		nsp	nsp	RES.	100 OHM 1/5W J	CRD20TJ101T
INPUT	R211		nsp	nsp	RES.	1K OHM 1/5W J	CRD20TJ102T
INPUT	R212		nsp	nsp	RES.	1K OHM 1/5W J	CRD20TJ102T
INPUT	R213		nsp	nsp	RES.	100 OHM 1/5W J	CRD20TJ101T
INPUT	R214		nsp	nsp	RES.	100 OHM 1/5W J	CRD20TJ101T
INPUT	R215		nsp	nsp	RES.	100 OHM 1/5W J	CRD20TJ101T
INPUT	R216		nsp	nsp	RES.	100 OHM 1/5W J	CRD20TJ101T
INPUT	R217		nsp	nsp	RES.	1K OHM 1/5W J	CRD20TJ102T
INPUT	R218		nsp	nsp	RES.	1K OHM 1/5W J	CRD20TJ102T
INPUT	R219		nsp	nsp	RES.	100 OHM 1/5W J	CRD20TJ101T
INPUT	R220		nsp	nsp	RES.	100 OHM 1/5W J	CRD20TJ101T
INPUT	R221		nsp	nsp	RES.	1K OHM 1/5W J	CRD20TJ102T
INPUT	R222		nsp	nsp	RES.	1K OHM 1/5W J	CRD20TJ102T
INPUT	R223		nsp	nsp	RES.	82K OHM 1/5W J	CRD20TJ823T
INPUT	R224		nsp	nsp	RES.	82K OHM 1/5W J	CRD20TJ823T
INPUT	R225		nsp	nsp	RES.	82K OHM 1/5W J	CRD20TJ823T
INPUT	R226		nsp	nsp	RES.	82K OHM 1/5W J	CRD20TJ823T

NOTE : "nsp" PART IS LISTED FOR REFERENCE ONLY, MARANTZ WILL NOT SUPPLY THESE PARTS.

P.C.B. NAME	POS. NO.	VERS. COLOR	PART NO. (FOR EUR)	PART NO. (MZ)	PART NAME	DESCRIPTION
INPUT	R227		nsp	nsp	RES.	82K OHM 1/5W J CRD20TJ823T
INPUT	R228		nsp	nsp	RES.	82K OHM 1/5W J CRD20TJ823T
INPUT	R229		nsp	nsp	RES.	47K OHM 1/5W J CRD20TJ473T
INPUT	R230		nsp	nsp	RES.	47K OHM 1/5W J CRD20TJ473T
INPUT	R231		nsp	nsp	RES.	82K OHM 1/5W J CRD20TJ823T
INPUT	R232		nsp	nsp	RES.	82K OHM 1/5W J CRD20TJ823T
INPUT	R233		nsp	nsp	RES.	47K OHM 1/5W J CRD20TJ473T
INPUT	R234		nsp	nsp	RES.	47K OHM 1/5W J CRD20TJ473T
INPUT	R235		nsp	nsp	RES.	82K OHM 1/5W J CRD20TJ823T
INPUT	R236		nsp	nsp	RES.	82K OHM 1/5W J CRD20TJ823T
INPUT	R237		nsp	nsp	RES.	82K OHM 1/5W J CRD20TJ823T
INPUT	R238		nsp	nsp	RES.	82K OHM 1/5W J CRD20TJ823T
INPUT	R239		nsp	nsp	RES.	47K OHM 1/5W J CRD20TJ473T
INPUT	R240		nsp	nsp	RES.	47K OHM 1/5W J CRD20TJ473T
INPUT	R241		nsp	nsp	RES.	82K OHM 1/5W J CRD20TJ823T
INPUT	R242		nsp	nsp	RES.	82K OHM 1/5W J CRD20TJ823T
INPUT	R243		nsp	nsp	RES.	47K OHM 1/5W J CRD20TJ473T
INPUT	R244		nsp	nsp	RES.	47K OHM 1/5W J CRD20TJ473T
INPUT	R245		nsp	nsp	RES.	100 OHM 1/5W J CRD20TJ101T
INPUT	R246		nsp	nsp	RES.	100 OHM 1/5W J CRD20TJ101T
INPUT	R247		nsp	nsp	RES.	100 OHM 1/5W J CRD20TJ101T
INPUT	R248		nsp	nsp	RES.	100 OHM 1/5W J CRD20TJ101T
INPUT	R249		nsp	nsp	RES.	100 OHM 1/5W J CRD20TJ101T
INPUT	R250		nsp	nsp	RES.	100 OHM 1/5W J CRD20TJ101T
INPUT	R251		nsp	nsp	RES.	100 OHM 1/5W J CRD20TJ101T
INPUT	R252		nsp	nsp	RES.	47K OHM 1/5W J CRD20TJ473T
INPUT	R253		nsp	nsp	RES.	47K OHM 1/5W J CRD20TJ473T
INPUT	R254		nsp	nsp	RES.	47K OHM 1/5W J CRD20TJ473T
INPUT	R255		nsp	nsp	RES.	47K OHM 1/5W J CRD20TJ473T
INPUT	R256		nsp	nsp	RES.	47K OHM 1/5W J CRD20TJ473T
INPUT	R257		nsp	nsp	RES.	47K OHM 1/5W J CRD20TJ473T
INPUT	R258		nsp	nsp	RES.	47K OHM 1/5W J CRD20TJ473T
INPUT	R266		nsp	nsp	RES.	47K OHM 1/5W J CRD20TJ473T
INPUT	R267		nsp	nsp	RES.	47K OHM 1/5W J CRD20TJ473T
INPUT	R268		nsp	nsp	RES.	47K OHM 1/5W J CRD20TJ473T
INPUT	R269		nsp	nsp	RES.	47K OHM 1/5W J CRD20TJ473T
INPUT	R270		nsp	nsp	RES.	47K OHM 1/5W J CRD20TJ473T
INPUT	R271		nsp	nsp	RES.	47K OHM 1/5W J CRD20TJ473T
INPUT	R272		nsp	nsp	RES.	47K OHM 1/5W J CRD20TJ473T
INPUT	R273		nsp	nsp	RES.	100 OHM 1/5W J CRD20TJ101T
INPUT	R274		nsp	nsp	RES.	100 OHM 1/5W J CRD20TJ101T
INPUT	R275		nsp	nsp	RES.	220K OHM 1/6W J CRD20TJ224T
INPUT	R276		nsp	nsp	RES.	220K OHM 1/6W J CRD20TJ224T
INPUT	R277		nsp	nsp	RES.	220K OHM 1/6W J CRD20TJ224T
INPUT	R278		nsp	nsp	RES.	220K OHM 1/6W J CRD20TJ224T
INPUT	R279		nsp	nsp	RES.	47K OHM 1/5W J CRD20TJ473T
INPUT	R280		nsp	nsp	RES.	47K OHM 1/5W J CRD20TJ473T
INPUT	R281		nsp	nsp	RES.	47K OHM 1/5W J CRD20TJ473T
INPUT	R282		nsp	nsp	RES.	47K OHM 1/5W J CRD20TJ473T
INPUT	R283		nsp	nsp	RES.	100 OHM 1/5W J CRD20TJ101T
INPUT	R284		nsp	nsp	RES.	47K OHM 1/5W J CRD20TJ473T
INPUT	R285		nsp	nsp	RES.	47K OHM 1/5W J CRD20TJ473T
INPUT	R286		nsp	nsp	RES.	47K OHM 1/5W J CRD20TJ473T
INPUT	R287		nsp	nsp	RES.	47K OHM 1/5W J CRD20TJ473T
INPUT	R288		nsp	nsp	RES.	47K OHM 1/5W J CRD20TJ473T
INPUT	R289		nsp	nsp	RES.	47K OHM 1/5W J CRD20TJ473T
INPUT	R290		nsp	nsp	RES.	47K OHM 1/5W J CRD20TJ473T
INPUT	R291		nsp	nsp	RES.	100 OHM 1/5W J CRD20TJ101T
INPUT	R292		nsp	nsp	RES.	100 OHM 1/5W J CRD20TJ101T
INPUT	R293		nsp	nsp	RES.	47K OHM 1/5W J CRD20TJ473T
INPUT	R294		nsp	nsp	RES.	47K OHM 1/5W J CRD20TJ473T
INPUT	R295		nsp	nsp	RES.	47K OHM 1/5W J CRD20TJ473T
INPUT	R296		nsp	nsp	RES.	47K OHM 1/5W J CRD20TJ473T
INPUT	R297		nsp	nsp	RES.	47K OHM 1/5W J CRD20TJ473T
INPUT	R298		nsp	nsp	RES.	47K OHM 1/5W J CRD20TJ473T
INPUT	R299		nsp	nsp	RES.	47K OHM 1/5W J CRD20TJ473T
INPUT	R300		nsp	nsp	RES.	8.2K OHM 1/5W J CRD20TJ822T

NOTE : *nsp* PART IS LISTED FOR REFERENCE ONLY, MARANTZ WILL NOT SUPPLY THESE PARTS.

P.C.B. NAME	POS. NO.	VERS. COLOR	PART NO. (FOR EUR)	PART NO. (MZ)	PART NAME	DESCRIPTION
INPUT	R301		nsp	nsp	RES.	8.2K OHM 1/5W J CRD20TJ822T
INPUT	R302		nsp	nsp	RES.	4.7K OHM 1/5W J CRD20TJ472T
INPUT	R303		nsp	nsp	RES.	4.7K OHM 1/5W J CRD20TJ472T
INPUT	R304		nsp	nsp	RES.	8.2K OHM 1/5W J CRD20TJ822T
INPUT	R305		nsp	nsp	RES.	8.2K OHM 1/5W J CRD20TJ822T
INPUT	R306		nsp	nsp	RES.	4.7K OHM 1/5W J CRD20TJ472T
INPUT	R314		nsp	nsp	RES.	15K OHM 1/5W J CRD20TJ153T
INPUT	R315		nsp	nsp	RES.	15K OHM 1/5W J CRD20TJ153T
INPUT	R316		nsp	nsp	RES.	4.7K OHM 1/5W J CRD20TJ472T
INPUT	R317		nsp	nsp	RES.	4.7K OHM 1/5W J CRD20TJ472T
INPUT	R318		nsp	nsp	RES.	15K OHM 1/5W J CRD20TJ153T
INPUT	R319		nsp	nsp	RES.	15K OHM 1/5W J CRD20TJ153T
INPUT	R320		nsp	nsp	RES.	4.7K OHM 1/5W J CRD20TJ472T
INPUT	R321		nsp	nsp	RES.	47K OHM 1/5W J CRD20TJ473T
INPUT	R322		nsp	nsp	RES.	47K OHM 1/5W J CRD20TJ473T
INPUT	R323		nsp	nsp	RES.	47K OHM 1/5W J CRD20TJ473T
INPUT	R324		nsp	nsp	RES.	47K OHM 1/5W J CRD20TJ473T
INPUT	R325		nsp	nsp	RES.	47K OHM 1/5W J CRD20TJ473T
INPUT	R326		nsp	nsp	RES.	47K OHM 1/5W J CRD20TJ473T
INPUT	R327		nsp	nsp	RES.	47K OHM 1/5W J CRD20TJ473T
INPUT	R328		nsp	nsp	RES.	220 OHM 1/5W J CRD20TJ221T
INPUT	R329		nsp	nsp	RES.	220 OHM 1/5W J CRD20TJ221T
INPUT	R330		nsp	nsp	RES.	220 OHM 1/5W J CRD20TJ221T
INPUT	R331		nsp	nsp	RES.	220 OHM 1/5W J CRD20TJ221T
INPUT	R332		nsp	nsp	RES.	220 OHM 1/5W J CRD20TJ221T
INPUT	R333		nsp	nsp	RES.	220 OHM 1/5W J CRD20TJ221T
INPUT	R334		nsp	nsp	RES.	220 OHM 1/5W J CRD20TJ221T
INPUT	R336		nsp	nsp	RES.	1M OHM 1/5W J CRD20TJ105T
INPUT	R338		nsp	nsp	RES.	1M OHM 1/5W J CRD20TJ105T
INPUT	R340		nsp	nsp	RES.	1M OHM 1/5W J CRD20TJ105T
INPUT	R341		nsp	nsp	RES.	1M OHM 1/5W J CRD20TJ105T
INPUT	R342		nsp	nsp	RES.	10K OHM 1/5W J CRD20TJ103T
INPUT	R343		nsp	nsp	RES.	10K OHM 1/5W J CRD20TJ103T
INPUT	R344		nsp	nsp	RES.	10K OHM 1/5W J CRD20TJ103T
INPUT	R345		nsp	nsp	RES.	10K OHM 1/5W J CRD20TJ103T
INPUT	R346		nsp	nsp	RES.	10K OHM 1/5W J CRD20TJ103T
INPUT	R347		nsp	nsp	RES.	10K OHM 1/5W J CRD20TJ103T
INPUT	R348		nsp	nsp	RES.	10K OHM 1/5W J CRD20TJ103T
INPUT	R349		nsp	nsp	RES.	10K OHM 1/5W J CRD20TJ103T
INPUT	R350		nsp	nsp	RES.	10K OHM 1/5W J CRD20TJ103T
INPUT	R351		nsp	nsp	RES.	10K OHM 1/5W J CRD20TJ103T
INPUT	R352		nsp	nsp	RES.	10K OHM 1/5W J CRD20TJ103T
INPUT	R353		nsp	nsp	RES.	10K OHM 1/5W J CRD20TJ103T
INPUT	R354		nsp	nsp	RES.	10K OHM 1/5W J CRD20TJ103T
INPUT	R355		nsp	nsp	RES.	10K OHM 1/5W J CRD20TJ103T
INPUT	R356		nsp	nsp	RES.	220 OHM 1/5W J CRD20TJ221T
INPUT	R357		nsp	nsp	RES.	220 OHM 1/5W J CRD20TJ221T
INPUT	R358		nsp	nsp	RES.	220 OHM 1/5W J CRD20TJ221T
INPUT	R359		nsp	nsp	RES.	220 OHM 1/5W J CRD20TJ221T
INPUT	R360		nsp	nsp	RES.	220 OHM 1/5W J CRD20TJ221T
INPUT	R361		nsp	nsp	RES.	220 OHM 1/5W J CRD20TJ221T
INPUT	R362		nsp	nsp	RES.	220 OHM 1/5W J CRD20TJ221T
INPUT	R363		nsp	nsp	RES.	33 OHM 1/6W J CRD20TJ330T
INPUT	R364		nsp	nsp	RES.	33 OHM 1/6W J CRD20TJ330T
INPUT	R365		nsp	nsp	RES.	33 OHM 1/6W J CRD20TJ330T
INPUT	R366		nsp	nsp	RES.	33 OHM 1/6W J CRD20TJ330T
INPUT	R367		nsp	nsp	RES.	33 OHM 1/6W J CRD20TJ330T
INPUT	R368		nsp	nsp	RES.	33 OHM 1/6W J CRD20TJ330T
INPUT	R369		nsp	nsp	RES.	33 OHM 1/6W J CRD20TJ330T
INPUT	R370		nsp	nsp	RES.	100 OHM 1/5W J CRD20TJ101T
INPUT	R371		nsp	nsp	RES.	100 OHM 1/5W J CRD20TJ101T
INPUT	R372		nsp	nsp	RES.	100 OHM 1/5W J CRD20TJ101T
INPUT	R373		nsp	nsp	RES.	100 OHM 1/5W J CRD20TJ101T
INPUT	R402		nsp	nsp	RES.	100 OHM 1/5W J CRD20TJ101T
INPUT	R403		nsp	nsp	RES.	100K OHM 1/5W J CRD20TJ104T
INPUT	R404		nsp	nsp	RES.	100K OHM 1/5W J CRD20TJ104T
INPUT	R405		nsp	nsp	RES.	100K OHM 1/5W J CRD20TJ104T

NOTE : "nsp" PART IS LISTED FOR REFERENCE ONLY, MARANTZ WILL NOT SUPPLY THESE PARTS.

P.C.B. NAME	POS. NO.	VERS. COLOR	PART NO. (FOR EUR)	PART NO. (MZ)	PART NAME	DESCRIPTION
INPUT	R406		nsp	nsp	RES.	100K OHM 1/5W J CRD20TJ104T
INPUT	R407		nsp	nsp	RES.	47K OHM 1/5W J CRD20TJ473T
INPUT	R408		nsp	nsp	RES.	47K OHM 1/5W J CRD20TJ473T
INPUT	R409		nsp	nsp	RES.	47K OHM 1/5W J CRD20TJ473T
INPUT	R410		nsp	nsp	RES.	4.7K OHM 1/5W J CRD20TJ472T
INPUT	R411		nsp	nsp	RES.	33K OHM 1/5W J CRD20TJ333T
INPUT	R413		nsp	nsp	RES.	47K OHM 1/5W J CRD20TJ473T
INPUT	R414		nsp	nsp	RES.	220 OHM 1/5W J CRD20TJ221T
INPUT	R415		nsp	nsp	RES.	1M OHM 1/5W J CRD20TJ105T
INPUT	R416		nsp	nsp	RES.	10K OHM 1/5W J CRD20TJ103T
INPUT	R417		nsp	nsp	RES.	10K OHM 1/5W J CRD20TJ103T
INPUT	R418		nsp	nsp	RES.	220 OHM 1/5W J CRD20TJ221T
INPUT	R419		nsp	nsp	RES.	33 OHM 1/6W J CRD20TJ330T
INPUT	R420		nsp	nsp	RES.	47K OHM 1/5W J CRD20TJ473T
INPUT	R421		nsp	nsp	RES.	4.7K OHM 1/5W J CRD20TJ472T
INPUT	R423		nsp	nsp	RES.	4.7K OHM 1/5W J CRD20TJ472T
INPUT	R424		nsp	nsp	RES.	220 OHM 1/5W J CRD20TJ221T
INPUT	R425		nsp	nsp	RES.	47K OHM 1/5W J CRD20TJ473T
INPUT	R426		nsp	nsp	RES.	47K OHM 1/5W J CRD20TJ473T
INPUT	R427		nsp	nsp	RES.	220 OHM 1/5W J CRD20TJ221T
INPUT	R428		nsp	nsp	RES.	4.7K OHM 1/5W J CRD20TJ472T
INPUT	R429		nsp	nsp	RES.	4.7K OHM 1/5W J CRD20TJ472T
INPUT	R431		nsp	nsp	RES.	47K OHM 1/5W J CRD20TJ473T
INPUT	R432		nsp	nsp	RES.	1M OHM 1/5W J CRD20TJ105T
INPUT	R433		nsp	nsp	RES.	10K OHM 1/5W J CRD20TJ103T
INPUT	R434		nsp	nsp	RES.	10K OHM 1/5W J CRD20TJ103T
INPUT	R435		nsp	nsp	RES.	220 OHM 1/5W J CRD20TJ221T
INPUT	R436		nsp	nsp	RES.	10K OHM 1/5W J CRD20TJ103T
INPUT	R437		nsp	nsp	RES.	10K OHM 1/5W J CRD20TJ103T
INPUT	R438		nsp	nsp	RES.	220 OHM 1/5W J CRD20TJ221T
INPUT	R439		nsp	nsp	RES.	33 OHM 1/6W J CRD20TJ330T
INPUT	R440		nsp	nsp	RES.	33 OHM 1/6W J CRD20TJ330T
INPUT	R441		nsp	nsp	RES.	100 OHM 1/5W J CRD20TJ101T
INPUT	R442		nsp	nsp	RES.	47K OHM 1/5W J CRD20TJ473T
INPUT	R444		nsp	nsp	RES.	47K OHM 1/5W J CRD20TJ473T
INPUT	R445		nsp	nsp	RES.	47K OHM 1/5W J CRD20TJ473T
INPUT	R446		nsp	nsp	RES.	100 OHM 1/5W J CRD20TJ101T
INPUT	R447		nsp	nsp	RES.	100 OHM 1/5W J CRD20TJ101T
INPUT	R448		nsp	nsp	RES.	47K OHM 1/5W J CRD20TJ473T
INPUT	R449		nsp	nsp	RES.	47K OHM 1/5W J CRD20TJ473T
					PLC IR-RX PWB	
IR-RX	CN23		nsp	nsp	CONN.	STRAIGHT, 3PIN CJP03GA19ZY
IR-RX	J891		nsp	nsp	CORD	SN95/PB5, 0.6 C3A206
IR-RX	RC10		90M-HW100780R	90M-HW100780R	PHOTO UNIT	I.C , PHOTO HVIS4810
					PUSH S/W PWB (CUP11857-5)	
P S/W	▲ C877	/N1B	90M-DK100800R	90M-DK100800R	CER. CAP.	! DKS471ME KCKDKS471ME
P S/W	▲ C877	/N1S	90M-DK100800R	90M-DK100800R	CER. CAP.	! DKS471ME KCKDKS471ME
P S/W	CN88	/N1B	90M-YP100250R	90M-YP100250R	CONN.	MOLEX35328-02 CJP02GA89ZM
P S/W	CN88	/N1S	90M-YP100250R	90M-YP100250R	CONN.	MOLEX35328-02 CJP02GA89ZM
P S/W	J197	/N1B	nsp	nsp	CORD	SN95/PB5, 0.6 C3A206
P S/W	J197	/N1S	nsp	nsp	CORD	SN95/PB5, 0.6 C3A206
P S/W	▲ SW97	/N1B	90M-SP001250R	90M-SP001250R	SW	! JPP1197CSA64 KSH1A001ZV
P S/W	▲ SW97	/N1S	90M-SP001250R	90M-SP001250R	SW	! JPP1197CSA64 KSH1A001ZV
					PLC PWB (CUP11861Z)	
PLC	BK10		nsp	nsp	BRACKET	BRACKET PWB CMD1A387
PLC	BK11		nsp	nsp	BRACKET	BRACKET PWB CMD1A387
PLC	BN11		nsp	nsp	CORD	WIRE ASSY CWB1A912085GN
PLC	BN12		nsp	nsp	CORD	WIRE ASSY CWZZR6001BN12
PLC	BN13		nsp	nsp	CORD	WIRE ASSY CWB1A906060GN
PLC	C100		nsp	nsp	CER. CAP.	0.1UF 50V Z HCBS1H104ZFT
PLC	C102		nsp	nsp	CER. CAP.	0.1UF 50V Z HCBS1H104ZFT
PLC	C103		nsp	nsp	CER. CAP.	0.1UF 50V Z HCBS1H104ZFT
PLC	C104		nsp	nsp	CER. CAP.	0.1UF 50V Z HCBS1H104ZFT
PLC	C105		nsp	nsp	CER. CAP.	0.1UF 50V Z HCBS1H104ZFT
PLC	C106		nsp	nsp	CER. CAP.	0.1UF 50V Z HCBS1H104ZFT
PLC	C107		nsp	nsp	CER. CAP.	0.1UF 50V Z HCBS1H104ZFT
PLC	C108		nsp	nsp	CER. CAP.	0.1UF 50V Z HCBS1H104ZFT

NOTE : *nsp* PART IS LISTED FOR REFERENCE ONLY, MARANTZ WILL NOT SUPPLY THESE PARTS.

P.C.B. NAME	POS. NO.	VERS. COLOR	PART NO. (FOR EUR)	PART NO. (MZ)	PART NAME	DESCRIPTION	
PLC	C109		nsp	nsp	CER. CAP.	0.1UF 50V Z	HCBS1H104ZFT
PLC	C110		nsp	nsp	CER. CAP.	0.1UF 50V Z	HCBS1H104ZFT
PLC	C111		nsp	00MOA10605020	ELECT CAP.	10UF 50V	CCEA1HH100T
PLC	C112		nsp	nsp	CER. CAP.	0.1UF 50V Z	HCBS1H104ZFT
PLC	C113		nsp	nsp	CER. CAP.	0.1UF 50V Z	HCBS1H104ZFT
PLC	C115		nsp	nsp	CER. CAP.	0.1UF 50V Z	HCBS1H104ZFT
PLC	C116		nsp	00MOA10605020	ELECT CAP.	10UF 50V	CCEA1HH100T
PLC	C119		nsp	nsp	CER. CAP.	0.1UF 50V Z	HCBS1H104ZFT
PLC	C120		nsp	nsp	CER. CAP.	0.1UF 50V Z	HCBS1H104ZFT
PLC	C122		nsp	nsp	CER. CAP.	0.1UF 50V Z	HCBS1H104ZFT
PLC	C123		nsp	nsp	CER. CAP.	100PF 50V K	HCBS1H101KBT
PLC	C124		nsp	00MOA10605020	ELECT CAP.	10UF 50V	CCEA1HH100T
PLC	C125		nsp	nsp	CER. CAP.	100PF 50V K	HCBS1H101KBT
PLC	C126		nsp	00MOA10605020	ELECT CAP.	10UF 50V	CCEA1HH100T
PLC	C127		nsp	00MOA10701620	ELECT CAP.	100UF 16V	CCEA1CH101T
PLC	C128		nsp	nsp	CER. CAP.	0.1UF 50V Z	HCBS1H104ZFT
PLC	C129		nsp	00MOA10701620	ELECT CAP.	100UF 16V	CCEA1CH101T
PLC	C130		nsp	nsp	CER. CAP.	0.1UF 50V Z	HCBS1H104ZFT
PLC	C131		nsp	00MOA10605020	ELECT CAP.	10UF 50V	CCEA1HH100T
PLC	C132		nsp	00MOA10605020	ELECT CAP.	10UF 50V	CCEA1HH100T
PLC	C133		nsp	00MOA10605020	ELECT CAP.	10UF 50V	CCEA1HH100T
PLC	C134		nsp	00MOA10605020	ELECT CAP.	10UF 50V	CCEA1HH100T
PLC	C135		nsp	nsp	CER. CAP.	100PF 50V K	HCBS1H101KBT
PLC	C136		nsp	nsp	CER. CAP.	100PF 50V K	HCBS1H101KBT
PLC	C137		nsp	00MOA10605020	ELECT CAP.	10UF 50V	CCEA1HH100T
PLC	C138		nsp	00MOA10605020	ELECT CAP.	10UF 50V	CCEA1HH100T
PLC	C139		nsp	nsp	CER. CAP.	0.1UF 50V Z	HCBS1H104ZFT
PLC	C140		nsp	nsp	CER. CAP.	100PF 50V K	HCBS1H101KBT
PLC	C141		nsp	nsp	CER. CAP.	100PF 50V K	HCBS1H101KBT
PLC	C142		nsp	00MOA33701620	ELECT CAP.	330UF 16V	CCEA1CH331T
PLC	C143		nsp	nsp	CER. CAP.	0.1UF 50V Z	HCBS1H104ZFT
PLC	C144		nsp	nsp	CER. CAP.	0.1UF 50V Z	HCBS1H104ZFT
PLC	C145		nsp	00MOA10702520	ELECT CAP.	100UF 25V	CCEA1EH101T
PLC	C148		nsp	nsp	CER. CAP.	0.1UF 50V Z	HCBS1H104ZFT
PLC	C149		nsp	00MOA10701620	ELECT CAP.	100UF 16V	CCEA1CH101T
PLC	C152		nsp	nsp	CER. CAP.	22PF 50V J	HCBS1H220JCT
PLC	C153		nsp	nsp	CER. CAP.	22PF 50V J	HCBS1H220JCT
PLC	C154		nsp	nsp	CER. CAP.	18PF 50V JC	HCBS1H180JCT
PLC	C155		nsp	nsp	CER. CAP.	18PF 50V JC	HCBS1H180JCT
PLC	C156		nsp	nsp	CER. CAP.	0.01UF 50V Z	CCFT1H103ZF
PLC	C157		nsp	nsp	CER. CAP.	0.1UF 50V Z	HCBS1H104ZFT
PLC	C158		nsp	00MOA10702520	ELECT CAP.	100UF 25V	CCEA1EH101T
PLC	C159		nsp	00MOA10702520	ELECT CAP.	100UF 25V	CCEA1EH101T
PLC	C160		nsp	nsp	CER. CAP.	0.01UF 50V Z	CCFT1H103ZF
PLC	C161		nsp	00MOA10605020	ELECT CAP.	10UF 50V	CCEA1HH100T
PLC	C162		nsp	nsp	CER. CAP.	0.1UF 50V Z	HCBS1H104ZFT
PLC	C163		nsp	00MOA47701620	ELECT CAP.	470UF 16V ZF	CCEA1CH471T
PLC	C164		nsp	nsp	FILM CAP.	0.1UF 50V ZF	CCFT1H104ZF
PLC	C165		nsp	nsp	CER. CAP.	56PF 50V JC	CCCT1H560JC
PLC	CN10		nsp	nsp	CONN.	ANGLE 7PIN	CJP07GB46ZY
PLC	CN14		nsp	nsp	CONN.	00906-0027 4P STRAIGHT	CJP04GA19ZY
PLC	CN15		nsp	nsp	CONN.	17P WAFER CARD CABLE	CJP17GB113ZY
PLC	CN16		nsp	nsp	CONN.	7P STRAIGHT	CJP07GA19ZY
PLC	CN17		nsp	nsp	CONN.	3PIN ANGLE	CJP03GB46ZY
PLC	CN18		nsp	nsp	CONN.	7P WAFER CARD CABLE	CJP07GA117ZY
PLC	CW20		nsp	nsp	CORD	WIRE ASSY	CWB1E901100JJ
PLC	IC10		00MHC36J33050	00MHC36J33050	IC	TA48033FTE16	HVITA48033FTE16
PLC	IC11		90M-HC109610R	90M-HC109610R	IC	EEPROM	HVIC16AN10SU2.7
PLC	IC12		90M-HC109620R	90M-HC109620R	IC	EEPROM	HVIC256N10SU2.7
PLC	IC13		90M-HC108440R	90M-HC108440R	IC	ST202EBW RS-232C	HVIST202EBW
PLC	IC14		00MHC007505K0	00MHC007505K0	IC	TC74VHCT08FT	HVITC74VHCT08FT
PLC	IC15		90M-HC108910R	90M-HC108910R	IC	74VHC08	HVI74VHC08TTR
PLC	IC16		90M-HC700610R	90M-HC700610R	IC	TC74VHC244F	HVITC74VHC244F
PLC	IC17		00MHC10172090	00MHC10172090	IC	NJM2115MD OP AMP	HVINJM2115MDTE1
PLC	IC18		00MHC10172090	00MHC10172090	IC	NJM2115MD OP AMP	HVINJM2115MDTE1
PLC	IC19		90M-HS15CW20R	90M-HS15CW20R	U-PRO	SUB CPU, ZR6001	CVIHD64F36049HV
PLC	IC21		90M-HC109630R	90M-HC109630R	IC	I/R BLASTER	HVIC80F9

NOTE : "nsp" PART IS LISTED FOR REFERENCE ONLY, MARANTZ WILL NOT SUPPLY THESE PARTS.

P.C.B. NAME	POS. NO.	VERS. COLOR	PART NO. (FOR EUR)	PART NO. (MZ)	PART NAME	DESCRIPTION
PLC	IC22		90M-HC109290R	90M-HC109290R	IC	TC74VHC157FT HVITC74VHC157FT
PLC	J100		nsp	nsp	CORD	SN95/PB5, 0.6 C3A206
PLC	J101		nsp	nsp	CORD	SN95/PB5, 0.6 C3A206
PLC	J102		nsp	nsp	CORD	SN95/PB5, 0.6 C3A206
PLC	J103		nsp	nsp	CORD	SN95/PB5, 0.6 C3A206
PLC	J105		nsp	nsp	CORD	SN95/PB5, 0.6 C3A206
PLC	J106		nsp	nsp	CORD	SN95/PB5, 0.6 C3A206
PLC	J107		nsp	nsp	CORD	SN95/PB5, 0.6 C3A206
PLC	J108		nsp	nsp	CORD	SN95/PB5, 0.6 C3A206
PLC	J109		nsp	nsp	CORD	SN95/PB5, 0.6 C3A206
PLC	J110		nsp	nsp	CORD	SN95/PB5, 0.6 C3A206
PLC	J111		nsp	nsp	CORD	SN95/PB5, 0.6 C3A206
PLC	J112		nsp	nsp	CORD	SN95/PB5, 0.6 C3A206
PLC	J113		nsp	nsp	CORD	SN95/PB5, 0.6 C3A206
PLC	J114		nsp	nsp	CORD	SN95/PB5, 0.6 C3A206
PLC	J115		nsp	nsp	CORD	SN95/PB5, 0.6 C3A206
PLC	J116		nsp	nsp	CORD	SN95/PB5, 0.6 C3A206
PLC	J117		nsp	nsp	CORD	SN95/PB5, 0.6 C3A206
PLC	J118		nsp	nsp	CORD	SN95/PB5, 0.6 C3A206
PLC	J119		nsp	nsp	CORD	SN95/PB5, 0.6 C3A206
PLC	J120		nsp	nsp	CORD	SN95/PB5, 0.6 C3A206
PLC	J121		nsp	nsp	CORD	SN95/PB5, 0.6 C3A206
PLC	J122		nsp	nsp	CORD	SN95/PB5, 0.6 C3A206
PLC	J123		nsp	nsp	CORD	SN95/PB5, 0.6 C3A206
PLC	J124		nsp	nsp	CORD	SN95/PB5, 0.6 C3A206
PLC	J125		nsp	nsp	CORD	SN95/PB5, 0.6 C3A206
PLC	J126		nsp	nsp	CORD	SN95/PB5, 0.6 C3A206
PLC	J127		nsp	nsp	CORD	SN95/PB5, 0.6 C3A206
PLC	J128		nsp	nsp	CORD	SN95/PB5, 0.6 C3A206
PLC	J129		nsp	nsp	CORD	SN95/PB5, 0.6 C3A206
PLC	J130		nsp	nsp	CORD	SN95/PB5, 0.6 C3A206
PLC	J131		nsp	nsp	CORD	SN95/PB5, 0.6 C3A206
PLC	J132		nsp	nsp	CORD	SN95/PB5, 0.6 C3A206
PLC	J133		nsp	nsp	CORD	SN95/PB5, 0.6 C3A206
PLC	J134		nsp	nsp	CORD	SN95/PB5, 0.6 C3A206
PLC	J136		nsp	nsp	CORD	SN95/PB5, 0.6 C3A206
PLC	J137		nsp	nsp	CORD	SN95/PB5, 0.6 C3A206
PLC	J138		nsp	nsp	CORD	SN95/PB5, 0.6 C3A206
PLC	J139		nsp	nsp	CORD	SN95/PB5, 0.6 C3A206
PLC	J140		nsp	nsp	CORD	SN95/PB5, 0.6 C3A206
PLC	J141		nsp	nsp	CORD	SN95/PB5, 0.6 C3A206
PLC	J142		nsp	nsp	CORD	SN95/PB5, 0.6 C3A206
PLC	J143		nsp	nsp	CORD	SN95/PB5, 0.6 C3A206
PLC	J144		nsp	nsp	CORD	SN95/PB5, 0.6 C3A206
PLC	J147		nsp	nsp	CORD	SN95/PB5, 0.6 C3A206
PLC	J148		nsp	nsp	CORD	SN95/PB5, 0.6 C3A206
PLC	J149		nsp	nsp	CORD	SN95/PB5, 0.6 C3A206
PLC	J150		nsp	nsp	CORD	SN95/PB5, 0.6 C3A206
PLC	J151		nsp	nsp	CORD	SN95/PB5, 0.6 C3A206
PLC	J152		nsp	nsp	CORD	SN95/PB5, 0.6 C3A206
PLC	J153		nsp	nsp	CORD	SN95/PB5, 0.6 C3A206
PLC	J154		nsp	nsp	CORD	SN95/PB5, 0.6 C3A206
PLC	J155		nsp	nsp	CORD	SN95/PB5, 0.6 C3A206
PLC	J156		nsp	nsp	CORD	SN95/PB5, 0.6 C3A206
PLC	J157		nsp	nsp	CORD	SN95/PB5, 0.6 C3A206
PLC	J158		nsp	nsp	CORD	SN95/PB5, 0.6 C3A206
PLC	J159		nsp	nsp	CORD	SN95/PB5, 0.6 C3A206
PLC	J160		nsp	nsp	CORD	SN95/PB5, 0.6 C3A206
PLC	J161		nsp	nsp	CORD	SN95/PB5, 0.6 C3A206
PLC	J162		nsp	nsp	CORD	SN95/PB5, 0.6 C3A206
PLC	J165		nsp	nsp	CORD	SN95/PB5, 0.6 C3A206
PLC	J166		nsp	nsp	CORD	SN95/PB5, 0.6 C3A206
PLC	J167		nsp	nsp	CORD	SN95/PB5, 0.6 C3A206
PLC	J168		nsp	nsp	CORD	SN95/PB5, 0.6 C3A206
PLC	J169		nsp	nsp	CORD	SN95/PB5, 0.6 C3A206
PLC	J170		nsp	nsp	CORD	SN95/PB5, 0.6 C3A206
PLC	J171		nsp	nsp	CORD	SN95/PB5, 0.6 C3A206

NOTE : *nsp* PART IS LISTED FOR REFERENCE ONLY, MARANTZ WILL NOT SUPPLY THESE PARTS.

P.C.B. NAME	POS. NO.	VERS. COLOR	PART NO. (FOR EUR)	PART NO. (MZ)	PART NAME	DESCRIPTION	
PLC	J172		nsp	nsp	CORD	SN95/PB5, 0.6	C3A206
PLC	J173		nsp	nsp	CORD	SN95/PB5, 0.6	C3A206
PLC	J174		nsp	nsp	CORD	SN95/PB5, 0.6	C3A206
PLC	J175		nsp	nsp	CORD	SN95/PB5, 0.6	C3A206
PLC	J176		nsp	nsp	CORD	SN95/PB5, 0.6	C3A206
PLC	J177		nsp	nsp	CORD	SN95/PB5, 0.6	C3A206
PLC	J178		nsp	nsp	CORD	SN95/PB5, 0.6	C3A206
PLC	J180		nsp	nsp	CORD	SN95/PB5, 0.6	C3A206
PLC	J183		nsp	nsp	CORD	SN95/PB5, 0.6	C3A206
PLC	J187		nsp	nsp	CORD	SN95/PB5, 0.6	C3A206
PLC	J189		nsp	nsp	CORD	SN95/PB5, 0.6	C3A206
PLC	J190		nsp	nsp	CORD	SN95/PB5, 0.6	C3A206
PLC	J191		nsp	nsp	CORD	SN95/PB5, 0.6	C3A206
PLC	J192		nsp	nsp	CORD	SN95/PB5, 0.6	C3A206
PLC	J193		nsp	nsp	CORD	SN95/PB5, 0.6	C3A206
PLC	J194		nsp	nsp	CORD	SN95/PB5, 0.6	C3A206
PLC	J195		nsp	nsp	CORD	SN95/PB5, 0.6	C3A206
PLC	J196		nsp	nsp	CORD	SN95/PB5, 0.6	C3A206
PLC	J197		nsp	nsp	CORD	SN95/PB5, 0.6	C3A206
PLC	J198		nsp	nsp	CORD	SN95/PB5, 0.6	C3A206
PLC	J199		nsp	nsp	CORD	SN95/PB5, 0.6	C3A206
PLC	J200		nsp	nsp	CORD	SN95/PB5, 0.6	C3A206
PLC	J201		nsp	nsp	CORD	SN95/PB5, 0.6	C3A206
PLC	J202		nsp	nsp	CORD	SN95/PB5, 0.6	C3A206
PLC	J203		nsp	nsp	CORD	SN95/PB5, 0.6	C3A206
PLC	J204		nsp	nsp	CORD	SN95/PB5, 0.6	C3A206
PLC	J205		nsp	nsp	CORD	SN95/PB5, 0.6	C3A206
PLC	J206		nsp	nsp	CORD	SN95/PB5, 0.6	C3A206
PLC	J209		nsp	nsp	CORD	SN95/PB5, 0.6	C3A206
PLC	J210		nsp	nsp	CORD	SN95/PB5, 0.6	C3A206
PLC	J211		nsp	nsp	CORD	SN95/PB5, 0.6	C3A206
PLC	J214		nsp	nsp	CORD	SN95/PB5, 0.6	C3A206
PLC	J215		nsp	nsp	CORD	SN95/PB5, 0.6	C3A206
PLC	J216		nsp	nsp	CORD	SN95/PB5, 0.6	C3A206
PLC	J217		nsp	nsp	CORD	SN95/PB5, 0.6	C3A206
PLC	J218		nsp	nsp	CORD	SN95/PB5, 0.6	C3A206
PLC	J219		nsp	nsp	CORD	SN95/PB5, 0.6	C3A206
PLC	J220		nsp	nsp	CORD	SN95/PB5, 0.6	C3A206
PLC	J221		nsp	nsp	CORD	SN95/PB5, 0.6	C3A206
PLC	J222		nsp	nsp	CORD	SN95/PB5, 0.6	C3A206
PLC	J223		nsp	nsp	CORD	SN95/PB5, 0.6	C3A206
PLC	J224		nsp	nsp	CORD	SN95/PB5, 0.6	C3A206
PLC	J225		nsp	nsp	CORD	SN95/PB5, 0.6	C3A206
PLC	J226		nsp	nsp	CORD	SN95/PB5, 0.6	C3A206
PLC	J227		nsp	nsp	CORD	SN95/PB5, 0.6	C3A206
PLC	J228		nsp	nsp	CORD	SN95/PB5, 0.6	C3A206
PLC	J229		nsp	nsp	CORD	SN95/PB5, 0.6	C3A206
PLC	JK10		90M-YT004850R	90M-YT004850R	TERMINAL	2P CINCH AUDIO	CJJ4N078Z
PLC	JK30		90M-YT004860R	90M-YT004860R	TERMINAL	3.5MM JACK STEREO	CJJ2D008Z
PLC	JK40		90M-YT004860R	90M-YT004860R	TERMINAL	3.5MM JACK STEREO	CJJ2D008Z
PLC	JK50		90M-YT004860R	90M-YT004860R	TERMINAL	3.5MM JACK STEREO	CJJ2D008Z
PLC	JK60		90M-YT004860R	90M-YT004860R	TERMINAL	3.5MM JACK STEREO	CJJ2D008Z
PLC	JK70		90M-YT004860R	90M-YT004860R	TERMINAL	3.5MM JACK STEREO	CJJ2D008Z
PLC	Q103		00MBA10001000	00MBA10001000	TRS.	KRA102M	HVTKRA102MT
PLC	Q104		00MBA10001000	00MBA10001000	TRS.	KRA102M	HVTKRA102MT
PLC	Q105		00MBA20001000	00MBA20001000	TRS.	KRC102M	HVTKRC102MT
PLC	Q106		00MBA20001000	00MBA20001000	TRS.	KRC102M	HVTKRC102MT
PLC	Q107		00MBA10001000	00MBA10001000	TRS.	KRA102M	HVTKRA102MT
PLC	Q108		00MHT805501B0	00MHT805501B0	TRS.	KTC2874B	HVTKTC2874BT
PLC	Q109		00MHT805501B0	00MHT805501B0	TRS.	KTC2874B	HVTKTC2874BT
PLC	Q110		00MHT805501B0	00MHT805501B0	TRS.	KTC2874B	HVTKTC2874BT
PLC	Q111		00MHT805501B0	00MHT805501B0	TRS.	KTC2874B	HVTKTC2874BT
PLC	Q112		90M-HT800050R	90M-HT800050R	TRS.	KTC3198Y	HVTKTC3198YT
PLC	Q113		00MBA20001000	00MBA20001000	TRS.	KRC102M	HVTKRC102MT
PLC	Q119		00MBA20001000	00MBA20001000	TRS.	KRC102M	HVTKRC102MT
PLC	Q120		90M-HT800050R	90M-HT800050R	TRS.	KTC3198Y	HVTKTC3198YT
PLC	R101		nsp	nsp	RES.	10K OHM 1/5W J	CRD20TJ103T

NOTE : *nsp* PART IS LISTED FOR REFERENCE ONLY, MARANTZ WILL NOT SUPPLY THESE PARTS.

P.C.B. NAME	POS. NO.	VERS. COLOR	PART NO. (FOR EUR)	PART NO. (MZ)	PART NAME	DESCRIPTION
PLC	R102		nsp	nsp	RES.	10K OHM 1/5W J CRD20TJ103T
PLC	R103		nsp	nsp	RES.	10K OHM 1/5W J CRD20TJ103T
PLC	R104		nsp	nsp	RES.	10K OHM 1/5W J CRD20TJ103T
PLC	R105		nsp	nsp	RES.	100K OHM 1/5W J CRD20TJ104T
PLC	R106		nsp	nsp	RES.	10K OHM 1/5W J CRD20TJ103T
PLC	R107		nsp	nsp	RES.	470 OHM 1/5W J CRD20TJ471T
PLC	R108		nsp	nsp	RES.	470 OHM 1/5W J CRD20TJ471T
PLC	R109		nsp	nsp	RES.	470 OHM 1/5W J CRD20TJ471T
PLC	R110		nsp	nsp	RES.	470 OHM 1/5W J CRD20TJ471T
PLC	R116		nsp	nsp	RES.	47K OHM 1/5W J CRD20TJ473T
PLC	R119		nsp	nsp	RES.	47K OHM 1/5W J CRD20TJ473T
PLC	R120		nsp	nsp	RES.	47K OHM 1/5W J CRD20TJ473T
PLC	R121		nsp	nsp	RES.	10K OHM 1/5W J CRD20TJ103T
PLC	R122		nsp	nsp	RES.	10K OHM 1/5W J CRD20TJ103T
PLC	R123		nsp	nsp	RES.	10K OHM 1/5W J CRD20TJ103T
PLC	R124		nsp	nsp	RES.	10K OHM 1/5W J CRD20TJ103T
PLC	R125		nsp	nsp	RES.	10K OHM 1/5W J CRD20TJ103T
PLC	R126		nsp	nsp	RES.	10K OHM 1/5W J CRD20TJ103T
PLC	R127		nsp	nsp	RES.	10K OHM 1/5W J CRD20TJ103T
PLC	R128		nsp	nsp	CORD	SN95/PB5, 0.6 C3A206
PLC	R129		nsp	nsp	RES.	100K OHM 1/5W J CRD20TJ104T
PLC	R130		nsp	nsp	RES.	100K OHM 1/5W J CRD20TJ104T
PLC	R131		nsp	nsp	RES.	100K OHM 1/5W J CRD20TJ104T
PLC	R132		nsp	nsp	RES.	100K OHM 1/5W J CRD20TJ104T
PLC	R133		nsp	nsp	RES.	10K OHM 1/5W J CRD20TJ103T
PLC	R134		nsp	nsp	RES.	10K OHM 1/5W J CRD20TJ103T
PLC	R135		nsp	nsp	RES.	15K OHM 1/5W J CRD20TJ153T
PLC	R136		nsp	nsp	RES.	1K OHM 1/5W J CRD20TJ102T
PLC	R137		nsp	nsp	RES.	15K OHM 1/5W J CRD20TJ153T
PLC	R138		nsp	nsp	RES.	1K OHM 1/5W J CRD20TJ102T
PLC	R139		nsp	nsp	RES.	15K OHM 1/5W J CRD20TJ153T
PLC	R140		nsp	nsp	RES.	15K OHM 1/5W J CRD20TJ153T
PLC	R141		nsp	nsp	RES.	100K OHM 1/5W J CRD20TJ104T
PLC	R142		nsp	nsp	RES.	100K OHM 1/5W J CRD20TJ104T
PLC	R143		nsp	nsp	RES.	100K OHM 1/5W J CRD20TJ104T
PLC	R144		nsp	nsp	RES.	100K OHM 1/5W J CRD20TJ104T
PLC	R145		nsp	nsp	CORD	SN95/PB5, 0.6 C3A206
PLC	R146		nsp	nsp	RES.	47K OHM 1/5W J CRD20TJ473T
PLC	R147		nsp	nsp	RES.	47K OHM 1/5W J CRD20TJ473T
PLC	R148		nsp	nsp	RES.	220 OHM 1/5W J CRD20TJ221T
PLC	R149		nsp	nsp	RES.	220 OHM 1/5W J CRD20TJ221T
PLC	R150		nsp	nsp	RES.	220 OHM 1/5W J CRD20TJ221T
PLC	R151		nsp	nsp	RES.	220 OHM 1/5W J CRD20TJ221T
PLC	R152		nsp	nsp	RES.	33 OHM 1/6W J CRD20TJ330T
PLC	R153		nsp	nsp	RES.	33 OHM 1/6W J CRD20TJ330T
PLC	R154		nsp	nsp	RES.	10K OHM 1/5W J CRD20TJ103T
PLC	R155		nsp	nsp	RES.	10K OHM 1/5W J CRD20TJ103T
PLC	R156		nsp	nsp	RES.	1K OHM 1/5W J CRD20TJ102T
PLC	R157		nsp	nsp	RES.	1K OHM 1/5W J CRD20TJ102T
PLC	R158		nsp	nsp	RES.	47K OHM 1/5W J CRD20TJ473T
PLC	R159		nsp	nsp	RES.	22K OHM 1/5W J CRD20TJ223T
PLC	R160		nsp	nsp	RES.	22K OHM 1/5W J CRD20TJ223T
PLC	R163		nsp	nsp	RES.	1M OHM 1/5W J CRD20TJ105T
PLC	R164		nsp	nsp	CORD	SN95/PB5, 0.6 C3A206
PLC	R165		nsp	nsp	RES.	10K OHM 1/5W J CRD20TJ103T
PLC	R166		nsp	nsp	RES.	10K OHM 1/5W J CRD20TJ103T
PLC	R167		nsp	nsp	RES.	10K OHM 1/5W J CRD20TJ103T
PLC	R168		nsp	nsp	RES.	10K OHM 1/5W J CRD20TJ103T
PLC	R169		nsp	nsp	RES.	10K OHM 1/5W J CRD20TJ103T
PLC	R170		nsp	nsp	RES.	10K OHM 1/5W J CRD20TJ103T
PLC	R171		nsp	nsp	RES.	10K OHM 1/5W J CRD20TJ103T
PLC	R172		nsp	nsp	RES.	10K OHM 1/5W J CRD20TJ103T
PLC	R173		nsp	nsp	RES.	10K OHM 1/5W J CRD20TJ103T
PLC	R174		nsp	nsp	RES.	10K OHM 1/5W J CRD20TJ103T
PLC	R175		nsp	nsp	RES.	10K OHM 1/5W J CRD20TJ103T
PLC	R176		nsp	nsp	RES.	10K OHM 1/5W J CRD20TJ103T
PLC	R177		nsp	nsp	RES.	10K OHM 1/5W J CRD20TJ103T

NOTE : *nsp* PART IS LISTED FOR REFERENCE ONLY, MARANTZ WILL NOT SUPPLY THESE PARTS.

P.C.B. NAME	POS. NO.	VERS. COLOR	PART NO. (FOR EUR)	PART NO. (MZ)	PART NAME	DESCRIPTION
PLC	R178		nsp	nsp	RES.	10K OHM 1/5W J CRD20TJ103T
PLC	R179		nsp	nsp	RES.	10K OHM 1/5W J CRD20TJ103T
PLC	R180		nsp	nsp	RES.	10K OHM 1/5W J CRD20TJ103T
PLC	R181		nsp	nsp	RES.	10K OHM 1/5W J CRD20TJ103T
PLC	R182		nsp	nsp	RES.	10K OHM 1/5W J CRD20TJ103T
PLC	R183		nsp	nsp	RES.	10K OHM 1/5W J CRD20TJ103T
PLC	R184		nsp	nsp	RES.	10K OHM 1/5W J CRD20TJ103T
PLC	R185		nsp	nsp	RES.	10K OHM 1/5W J CRD20TJ103T
PLC	R186		nsp	nsp	RES.	10K OHM 1/5W J CRD20TJ103T
PLC	R187		nsp	nsp	RES.	10K OHM 1/5W J CRD20TJ103T
PLC	R188		nsp	nsp	RES.	10K OHM 1/5W J CRD20TJ103T
PLC	R189		nsp	nsp	RES.	10K OHM 1/5W J CRD20TJ103T
PLC	R190		nsp	nsp	RES.	10K OHM 1/5W J CRD20TJ103T
PLC	R191		nsp	nsp	RES.	10K OHM 1/5W J CRD20TJ103T
PLC	R192		nsp	nsp	RES.	10K OHM 1/5W J CRD20TJ103T
PLC	R193		nsp	nsp	RES.	10K OHM 1/5W J CRD20TJ103T
PLC	R194		nsp	nsp	RES.	10K OHM 1/5W J CRD20TJ103T
PLC	R195		nsp	nsp	RES.	10K OHM 1/5W J CRD20TJ103T
PLC	R200		nsp	nsp	RES.	10K OHM 1/5W J CRD20TJ103T
PLC	R201		nsp	nsp	RES.	10K OHM 1/5W J CRD20TJ103T
PLC	R202		nsp	nsp	RES.	10K OHM 1/5W J CRD20TJ103T
PLC	R203		nsp	nsp	RES.	10K OHM 1/5W J CRD20TJ103T
PLC	R204		nsp	nsp	RES.	10K OHM 1/5W J CRD20TJ103T
PLC	R205		nsp	nsp	RES.	10K OHM 1/5W J CRD20TJ103T
PLC	R208		nsp	nsp	RES.	47K OHM 1/5W J CRD20TJ473T
PLC	R209		nsp	nsp	RES.	47K OHM 1/5W J CRD20TJ473T
PLC	R210		nsp	nsp	RES.	47K OHM 1/5W J CRD20TJ473T
PLC	R211		nsp	nsp	RES.	47K OHM 1/5W J CRD20TJ473T
PLC	R212		nsp	nsp	RES.	47K OHM 1/5W J CRD20TJ473T
PLC	R213		nsp	nsp	RES.	47K OHM 1/5W J CRD20TJ473T
PLC	R214		nsp	nsp	RES.	47K OHM 1/5W J CRD20TJ473T
PLC	R215		nsp	nsp	RES.	47K OHM 1/5W J CRD20TJ473T
PLC	R216		nsp	nsp	RES.	47K OHM 1/5W J CRD20TJ473T
PLC	R217		nsp	nsp	RES.	1M OHM 1/5W J CRD20TJ105T
PLC	R218		nsp	nsp	RES.	100 OHM 1/5W J CRD20TJ101T
PLC	R219		nsp	nsp	CORD	SN95/PB5, 0.6 C3A206
PLC	R220		nsp	nsp	RES.	1K OHM 1/5W J CRD20TJ102T
PLC	R221		nsp	nsp	RES.	1K OHM 1/5W J CRD20TJ102T
PLC	R222		nsp	nsp	RES.	10K OHM 1/5W J CRD20TJ103T
PLC	R226		nsp	nsp	CORD	SN95/PB5, 0.6 C3A206
PLC	R227		nsp	nsp	RES.	10K OHM 1/5W J CRD20TJ103T
PLC	R228		nsp	nsp	RES.	10K OHM 1/5W J CRD20TJ103T
PLC	R229		nsp	nsp	RES.	10K OHM 1/5W J CRD20TJ103T
PLC	R230		nsp	nsp	RES.	10K OHM 1/5W J CRD20TJ103T
PLC	R231		nsp	nsp	RES.	10K OHM 1/5W J CRD20TJ103T
PLC	R232		nsp	nsp	RES.	470 OHM 1/5W J CRD20TJ471T
PLC	R233		nsp	nsp	RES.	4.7K OHM 1/5W J CRD20TJ472T
PLC	R234		nsp	nsp	RES.	4.7K OHM 1/5W J CRD20TJ472T
PLC	R247		nsp	nsp	RES.	22K OHM 1/5W J CRD20TJ223T
PLC	X101		90M-JX001100R	90M-JX001100R	X'TAL	20MHZ HOX20000E220C
PLC	X102		90M-JX001030R	90M-JX001030R	X'TAL	8MHZ HOX08000E160C
PLC	ZD10		00MHD30511000	00MHD30511000	ZENER DIODE	5.1V 1/2W HVDMTZJ5.1BT
POWER PWB (CUP11860Z)						
POWER	33		nsp	nsp	HEATSINK	SUB HEATSINK CMY1A207
POWER	S5		nsp	nsp	SCREW	CTB3+8JFZ
POWER	BN10		nsp	nsp	CORD	WIRE ASSY CWB1B907200EN
POWER	BN65		nsp	nsp	CORD	WIRE ASSY CWB3F006100UZ
POWER	C600		90M-OF100370R	90M-OF100370R	FILM CAP.	0.022UF 50V J HCQ1H223JZT
POWER	C601		90M-OF100370R	90M-OF100370R	FILM CAP.	0.022UF 50V J HCQ1H223JZT
POWER	C602		90M-OF100370R	90M-OF100370R	FILM CAP.	0.022UF 50V J HCQ1H223JZT
POWER	C603		90M-OF100370R	90M-OF100370R	FILM CAP.	0.022UF 50V J HCQ1H223JZT
POWER	C604		90M-OF100370R	90M-OF100370R	FILM CAP.	0.022UF 50V J HCQ1H223JZT
POWER	C605		90M-OF100370R	90M-OF100370R	FILM CAP.	0.022UF 50V J HCQ1H223JZT
POWER	C606		90M-OF100370R	90M-OF100370R	FILM CAP.	0.022UF 50V J HCQ1H223JZT
POWER	C611		nsp	nsp	CER. CAP.	1000PF 50V KB CCKT1H102KB
POWER	C612		nsp	nsp	CER. CAP.	1000PF 50V KB CCKT1H102KB
POWER	C613		nsp	nsp	CER. CAP.	1000PF 50V KB CCKT1H102KB

NOTE : "nsp" PART IS LISTED FOR REFERENCE ONLY, MARANTZ WILL NOT SUPPLY THESE PARTS.

P.C.B. NAME	POS. NO.	VERS. COLOR	PART NO. (FOR EUR)	PART NO. (MZ)	PART NAME	DESCRIPTION	
POWER	C614		nsp	nsp	CER. CAP.	1000PF 50V KB	CCKT1H102KB
POWER	C615		nsp	nsp	CER. CAP.	1000PF 50V KB	CCKT1H102KB
POWER	C620		90M-OF100370R	90M-OF100370R	FILM CAP.	0.022UF 50V J	HCQ11H223JZT
POWER	C621		90M-OF100370R	90M-OF100370R	FILM CAP.	0.022UF 50V J	HCQ11H223JZT
POWER	C622		90M-OF100370R	90M-OF100370R	FILM CAP.	0.022UF 50V J	HCQ11H223JZT
POWER	C623		90M-OF100370R	90M-OF100370R	FILM CAP.	0.022UF 50V J	HCQ11H223JZT
POWER	C624		90M-OF100370R	90M-OF100370R	FILM CAP.	0.022UF 50V J	HCQ11H223JZT
POWER	C625		90M-OF100370R	90M-OF100370R	FILM CAP.	0.022UF 50V J	HCQ11H223JZT
POWER	C626		90M-OF100370R	90M-OF100370R	FILM CAP.	0.022UF 50V J	HCQ11H223JZT
POWER	▲ C633		90M-EB000010R	90M-EB000010R	ELECT CAP.	! 12000UF 63V	HCET1JLA4123T
POWER	▲ C634		90M-EB000010R	90M-EB000010R	ELECT CAP.	! 12000UF 63V	HCET1JLA4123T
POWER	C638		nsp	00MOA47601640	ELECT CAP.	47UF 16V	CCEA1CH470T
POWER	C639		nsp	nsp	CER. CAP.	1000PF 50V KB	CCKT1H102KB
POWER	C640		nsp	90M-OA000160R	ELECT CAP.	3300UF/35V	CCEA1VH332E
POWER	C641		nsp	00MOA22803520	ELECT CAP.	2200UF 35V	CCEA1VH222E
POWER	C642		nsp	nsp	CER. CAP.	0.01UF 50V Z	CCFT1H103ZF
POWER	C644		nsp	nsp	CER. CAP.	0.01UF 50V Z	CCFT1H103ZF
POWER	C645		nsp	nsp	CER. CAP.	0.01UF 50V Z	CCFT1H103ZF
POWER	C646		nsp	nsp	CER. CAP.	0.01UF 50V Z	CCFT1H103ZF
POWER	C647		nsp	nsp	CER. CAP.	0.01UF 50V Z	CCFT1H103ZF
POWER	C648		nsp	00MOA10701620	ELECT CAP.	100UF 16V	CCEA1CH101T
POWER	C649		nsp	00MOA10701620	ELECT CAP.	100UF 16V	CCEA1CH101T
POWER	C651		nsp	00MOA68801620	ELECT CAP.	6800UF 16V	CCEA1CH682E
POWER	C652		00MEA10901670	00MEA10901670	ELECT CAP.	10000UF 16V	CCEA1CH103E
POWER	C653		nsp	00MOA10701620	ELECT CAP.	100UF 16V	CCEA1CH101T
POWER	C654		nsp	00MOA10701620	ELECT CAP.	100UF 16V	CCEA1CH101T
POWER	C655		nsp	nsp	FILM CAP.	0.1UF 50V ZF	CCFT1H104ZF
POWER	C656		nsp	nsp	FILM CAP.	0.1UF 50V ZF	CCFT1H104ZF
POWER	C657		nsp	nsp	FILM CAP.	0.1UF 50V ZF	CCFT1H104ZF
POWER	C658		nsp	nsp	FILM CAP.	0.1UF 50V ZF	CCFT1H104ZF
POWER	C659		nsp	00MOA10710020	ELECT CAP.	100UF 100V	CCEA2AH101E
POWER	C661		nsp	nsp	FILM CAP.	0.1UF 50V ZF	CCFT1H104ZF
POWER	C662		nsp	nsp	FILM CAP.	0.1UF 50V ZF	CCFT1H104ZF
POWER	C663		nsp	nsp	FILM CAP.	0.1UF 50V ZF	CCFT1H104ZF
POWER	C664		nsp	nsp	FILM CAP.	0.1UF 50V ZF	CCFT1H104ZF
POWER	CN61		nsp	nsp	CONN.	STRAIGHT 8PIN	CJP08GA19ZY
POWER	CN62		nsp	nsp	CONN.	7P STRAIGHT	CJP07GA19ZY
POWER	CN63		nsp	nsp	CONN.	5P STRAIGHT	CJP05GA19ZY
POWER	CN64		nsp	nsp	CONN.	5P STRAIGHT	CJP05GA19ZY
POWER	CN65		nsp	nsp	CONN.	13P WAFER CARD CABLE	CJP13GA117ZY
POWER	CN66		nsp	nsp	CONN.	STRAIGHT 4PIN	CJP04GA01ZY
POWER	CN67		nsp	nsp	CONN.	A3963WV2-5P (3.96MM)	CJP05GA148ZW
POWER	CN69		90M-YJ003010R	90M-YJ003010R	CONN.	5P B TO B CONNECTOR	CJP05GA98ZY
POWER	CN70		nsp	nsp	CONN.	A3963WV2-7P	CJP07GA148ZW
POWER	D601		nsp	90M-HD201750R	DIODE	1N4003	KVD1N4003SRT
POWER	D602		nsp	90M-HD201750R	DIODE	1N4003	KVD1N4003SRT
POWER	D603		nsp	90M-HD201750R	DIODE	1N4003	KVD1N4003SRT
POWER	D604		nsp	90M-HD201750R	DIODE	1N4003	KVD1N4003SRT
POWER	D605		nsp	90M-HD201750R	DIODE	1N4003	KVD1N4003SRT
POWER	▲ D606		90M-HD201750R	90M-HD201750R	DIODE	! 1N4003	KVD1N4003SRT
POWER	▲ D607		90M-HD201750R	90M-HD201750R	DIODE	! 1N4003	KVD1N4003SRT
POWER	▲ D608		90M-HD201750R	90M-HD201750R	DIODE	! 1N4003	KVD1N4003SRT
POWER	▲ D609		90M-HD201750R	90M-HD201750R	DIODE	! 1N4003	KVD1N4003SRT
POWER	▲ D610		90M-HD201750R	90M-HD201750R	DIODE	! 1N4003	KVD1N4003SRT
POWER	▲ D611		90M-HD201750R	90M-HD201750R	DIODE	! 1N4003	KVD1N4003SRT
POWER	▲ D612		90M-HD201750R	90M-HD201750R	DIODE	! 1N4003	KVD1N4003SRT
POWER	▲ D613		90M-HD201750R	90M-HD201750R	DIODE	! 1N4003	KVD1N4003SRT
POWER	D614		nsp	90M-HD201750R	DIODE	1N4003	KVD1N4003SRT
POWER	D615		90M-HD302150R	90M-HD302150R	ZENER DIODE	6.8V 1/2W	HVDMTZJ6.8BT
POWER	D616		90M-HD302190R	90M-HD302190R	ZENER DIODE	30V 1/2W	HVDMTZJ30BT
POWER	D617		nsp	nsp	CORD	SN95/PB5, 0.6	C3A206
POWER	D618		nsp	90M-HD201750R	DIODE	1N4003	KVD1N4003SRT
POWER	D619		nsp	90M-HD201750R	DIODE	1N4003	KVD1N4003SRT
POWER	D620		nsp	90M-HD201750R	DIODE	1N4003	KVD1N4003SRT
POWER	D621		nsp	90M-HD201750R	DIODE	1N4003	KVD1N4003SRT
POWER	D623		nsp	90M-HD201750R	DIODE	1N4003	KVD1N4003SRT
POWER	▲ D631		90M-HE200340R	90M-HE200340R	DIODE	! GBJ804	HVDGBJ804

NOTE : "nsp" PART IS LISTED FOR REFERENCE ONLY, MARANTZ WILL NOT SUPPLY THESE PARTS.

P.C.B. NAME	POS. NO.	VERS. COLOR	PART NO. (FOR EUR)	PART NO. (MZ)	PART NAME	DESCRIPTION
POWER	ET01		nsp	nsp	TERMINAL	EARTH PLATE CNE75
POWER	▲ IC61		90M-HC300690R	90M-HC300690R	IC	! KIA278R05PI HVIKIA278R05PI
POWER	▲ IC62		00MHC3890509F	00MHC3890509F	IC	! NJM7805FA HVINJM7805FA
POWER	▲ IC63		00MHC3891209F	00MHC3891209F	IC	! NJM7812FA HVINJM7812FA
POWER	▲ IC64		00MHC3991209F	00MHC3991209F	IC	! NJM7912FA REGULATOR HVINJM7912FA
POWER	J594		nsp	nsp	CORD	SN95/PB5, 0.6 C3A206
POWER	J595		nsp	nsp	CORD	SN95/PB5, 0.6 C3A206
POWER	J596		nsp	nsp	CORD	SN95/PB5, 0.6 C3A206
POWER	J597		nsp	nsp	CORD	SN95/PB5, 0.6 C3A206
POWER	J598		nsp	nsp	CORD	SN95/PB5, 0.6 C3A206
POWER	J599		nsp	nsp	CORD	SN95/PB5, 0.6 C3A206
POWER	J600		nsp	nsp	CORD	SN95/PB5, 0.6 C3A206
POWER	J601		nsp	nsp	CORD	SN95/PB5, 0.6 C3A206
POWER	J602		nsp	nsp	CORD	SN95/PB5, 0.6 C3A206
POWER	J603		nsp	nsp	CORD	SN95/PB5, 0.6 C3A206
POWER	J604		nsp	nsp	CORD	SN95/PB5, 0.6 C3A206
POWER	J605		nsp	nsp	CORD	SN95/PB5, 0.6 C3A206
POWER	J606		nsp	nsp	CORD	SN95/PB5, 0.6 C3A206
POWER	J607		nsp	nsp	CORD	SN95/PB5, 0.6 C3A206
POWER	J608		nsp	nsp	CORD	SN95/PB5, 0.6 C3A206
POWER	J609		nsp	nsp	CORD	SN95/PB5, 0.6 C3A206
POWER	J610		nsp	nsp	CORD	SN95/PB5, 0.6 C3A206
POWER	J611		nsp	nsp	CORD	SN95/PB5, 0.6 C3A206
POWER	J612		nsp	nsp	CORD	SN95/PB5, 0.6 C3A206
POWER	J613		nsp	nsp	CORD	SN95/PB5, 0.6 C3A206
POWER	J614		nsp	nsp	CORD	SN95/PB5, 0.6 C3A206
POWER	J615		nsp	nsp	CORD	SN95/PB5, 0.6 C3A206
POWER	J616		nsp	nsp	CORD	SN95/PB5, 0.6 C3A206
POWER	J617		nsp	nsp	CORD	SN95/PB5, 0.6 C3A206
POWER	J618		nsp	nsp	CORD	SN95/PB5, 0.6 C3A206
POWER	J619		nsp	nsp	CORD	SN95/PB5, 0.6 C3A206
POWER	J620		nsp	nsp	CORD	SN95/PB5, 0.6 C3A206
POWER	J621		nsp	nsp	CORD	SN95/PB5, 0.6 C3A206
POWER	J622		nsp	nsp	CORD	SN95/PB5, 0.6 C3A206
POWER	J623		nsp	nsp	CORD	SN95/PB5, 0.6 C3A206
POWER	J624		nsp	nsp	CORD	SN95/PB5, 0.6 C3A206
POWER	J625		nsp	nsp	CORD	SN95/PB5, 0.6 C3A206
POWER	J626		nsp	nsp	CORD	SN95/PB5, 0.6 C3A206
POWER	J627		nsp	nsp	CORD	SN95/PB5, 0.6 C3A206
POWER	J628		nsp	nsp	CORD	SN95/PB5, 0.6 C3A206
POWER	J629		nsp	nsp	CORD	SN95/PB5, 0.6 C3A206
POWER	J630		nsp	nsp	CORD	SN95/PB5, 0.6 C3A206
POWER	J631		nsp	nsp	CORD	SN95/PB5, 0.6 C3A206
POWER	J632		nsp	nsp	CORD	SN95/PB5, 0.6 C3A206
POWER	J633		nsp	nsp	CORD	SN95/PB5, 0.6 C3A206
POWER	J634		nsp	nsp	CORD	SN95/PB5, 0.6 C3A206
POWER	J635		nsp	nsp	CORD	SN95/PB5, 0.6 C3A206
POWER	J636		nsp	nsp	CORD	SN95/PB5, 0.6 C3A206
POWER	J637		nsp	nsp	CORD	SN95/PB5, 0.6 C3A206
POWER	J638		nsp	nsp	CORD	SN95/PB5, 0.6 C3A206
POWER	J639		nsp	nsp	CORD	SN95/PB5, 0.6 C3A206
POWER	J640		nsp	nsp	CORD	SN95/PB5, 0.6 C3A206
POWER	J641		nsp	nsp	CORD	SN95/PB5, 0.6 C3A206
POWER	J642		nsp	nsp	CORD	SN95/PB5, 0.6 C3A206
POWER	J643		nsp	nsp	CORD	SN95/PB5, 0.6 C3A206
POWER	J644		nsp	nsp	CORD	SN95/PB5, 0.6 C3A206
POWER	J645		nsp	nsp	CORD	SN95/PB5, 0.6 C3A206
POWER	J646		nsp	nsp	CORD	SN95/PB5, 0.6 C3A206
POWER	J647		nsp	nsp	CORD	SN95/PB5, 0.6 C3A206
POWER	J648		nsp	nsp	CORD	SN95/PB5, 0.6 C3A206
POWER	J649		nsp	nsp	CORD	SN95/PB5, 0.6 C3A206
POWER	J650		nsp	nsp	CORD	SN95/PB5, 0.6 C3A206
POWER	J651		nsp	nsp	CORD	SN95/PB5, 0.6 C3A206
POWER	J652		nsp	nsp	CORD	SN95/PB5, 0.6 C3A206
POWER	J653		nsp	nsp	CORD	SN95/PB5, 0.6 C3A206
POWER	J654		nsp	nsp	CORD	SN95/PB5, 0.6 C3A206
POWER	J655		nsp	nsp	CORD	SN95/PB5, 0.6 C3A206

NOTE : "nsp" PART IS LISTED FOR REFERENCE ONLY, MARANTZ WILL NOT SUPPLY THESE PARTS.

P.C.B. NAME	POS. NO.	VERS. COLOR	PART NO. (FOR EUR)	PART NO. (MZ)	PART NAME	DESCRIPTION	
POWER	J656		nsp	nsp	CORD	SN95/PB5, 0.6	C3A206
POWER	J657		nsp	nsp	CORD	SN95/PB5, 0.6	C3A206
POWER	J658		nsp	nsp	CORD	SN95/PB5, 0.6	C3A206
POWER	J659		nsp	nsp	CORD	SN95/PB5, 0.6	C3A206
POWER	J660		nsp	nsp	CORD	SN95/PB5, 0.6	C3A206
POWER	J661		nsp	nsp	CORD	SN95/PB5, 0.6	C3A206
POWER	J662		nsp	nsp	CORD	SN95/PB5, 0.6	C3A206
POWER	J663		nsp	nsp	CORD	SN95/PB5, 0.6	C3A206
POWER	J664		nsp	nsp	CORD	SN95/PB5, 0.6	C3A206
POWER	J665		nsp	nsp	CORD	SN95/PB5, 0.6	C3A206
POWER	J667		nsp	nsp	CORD	SN95/PB5, 0.6	C3A206
POWER	J668		nsp	nsp	CORD	SN95/PB5, 0.6	C3A206
POWER	J669		nsp	nsp	CORD	SN95/PB5, 0.6	C3A206
POWER	J670		nsp	nsp	CORD	SN95/PB5, 0.6	C3A206
POWER	J672		nsp	nsp	CORD	SN95/PB5, 0.6	C3A206
POWER	J673		nsp	nsp	CORD	SN95/PB5, 0.6	C3A206
POWER	J674		nsp	nsp	CORD	SN95/PB5, 0.6	C3A206
POWER	J675		nsp	nsp	CORD	SN95/PB5, 0.6	C3A206
POWER	J676		nsp	nsp	CORD	SN95/PB5, 0.6	C3A206
POWER	J677		nsp	nsp	CORD	SN95/PB5, 0.6	C3A206
POWER	J678		nsp	nsp	CORD	SN95/PB5, 0.6	C3A206
POWER	J679		nsp	nsp	CORD	SN95/PB5, 0.6	C3A206
POWER	J680		nsp	nsp	CORD	SN95/PB5, 0.6	C3A206
POWER	J681		nsp	nsp	CORD	SN95/PB5, 0.6	C3A206
POWER	J682		nsp	nsp	CORD	SN95/PB5, 0.6	C3A206
POWER	J683		nsp	nsp	CORD	SN95/PB5, 0.6	C3A206
POWER	J684		nsp	nsp	CORD	SN95/PB5, 0.6	C3A206
POWER	J685		nsp	nsp	CORD	SN95/PB5, 0.6	C3A206
POWER	J686		nsp	nsp	CORD	SN95/PB5, 0.6	C3A206
POWER	J687		nsp	nsp	CORD	SN95/PB5, 0.6	C3A206
POWER	J688		nsp	nsp	CORD	SN95/PB5, 0.6	C3A206
POWER	J689		nsp	nsp	CORD	SN95/PB5, 0.6	C3A206
POWER	J690		nsp	nsp	CORD	SN95/PB5, 0.6	C3A206
POWER	J691		nsp	nsp	CORD	SN95/PB5, 0.6	C3A206
POWER	J692		nsp	nsp	CORD	SN95/PB5, 0.6	C3A206
POWER	J693		nsp	nsp	CORD	SN95/PB5, 0.6	C3A206
POWER	J694		nsp	nsp	CORD	SN95/PB5, 0.6	C3A206
POWER	J695		nsp	nsp	CORD	SN95/PB5, 0.6	C3A206
POWER	JK61		90M-YT003520R	90M-YT003520R	TERMINAL	4P SPEAKER TERMINAL FL FR	CJJ5P020Z
POWER	JK62		90M-YT004090R	90M-YT004090R	TERMINAL	JB-602A-11 SPEAKER	CJJ5R010Z
POWER	JK63		90M-YT004400R	90M-YT004400R	TERMINAL	DCS2003	CJJ5P021Z
POWER	JW60		nsp	nsp	CORD	WIRE ASSY	CWB1F001080JJ
POWER	Q601		00MHT600111B0	00MHT600111B0	TRS.	KTA1267Y	HVTKTA1267YT
POWER	Q602		00MHT600111B0	00MHT600111B0	TRS.	KTA1267Y	HVTKTA1267YT
POWER	Q603		00MHT600111B0	00MHT600111B0	TRS.	KTA1267Y	HVTKTA1267YT
POWER	Q604		00MHT600111B0	00MHT600111B0	TRS.	KTA1267Y	HVTKTA1267YT
POWER	Q606		00MHT600111B0	00MHT600111B0	TRS.	KTA1267Y	HVTKTA1267YT
POWER	Q607		00MBA20001000	00MBA20001000	TRS.	KRC102M	HVTKRC102MT
POWER	Q608		00MBA20001000	00MBA20001000	TRS.	KRC102M	HVTKRC102MT
POWER	Q609		00MBA20001000	00MBA20001000	TRS.	KRC102M	HVTKRC102MT
POWER	Q610		00MBA20001000	00MBA20001000	TRS.	KRC102M	HVTKRC102MT
POWER	Q611		00MBA20001000	00MBA20001000	TRS.	KRC102M	HVTKRC102MT
POWER	Q612		00MHT600111B0	00MHT600111B0	TRS.	KTA1267Y	HVTKTA1267YT
POWER	Q613		90M-HT800050R	90M-HT800050R	TRS.	KTC3198Y	HVTKTC3198YT
POWER	Q614		90M-HT800050R	90M-HT800050R	TRS.	KTC3198Y	HVTKTC3198YT
POWER	Q615		00MHT600111B0	00MHT600111B0	TRS.	KTA1267Y	HVTKTA1267YT
POWER	R600		nsp	nsp	RES.	10 OHM 1W J	KRG1SANJ100RT
POWER	R601		nsp	nsp	RES.	220 OHM 1/4W J	CRD25TJ221T
POWER	R602		nsp	nsp	RES.	330 OHM 1/4W J	CRD25TJ331T
POWER	R603		nsp	nsp	RES.	220 OHM 1/4W J	CRD25TJ221T
POWER	R604		nsp	nsp	RES.	330 OHM 1/4W J	CRD25TJ331T
POWER	R605		nsp	nsp	RES.	220 OHM 1/4W J	CRD25TJ221T
POWER	R606		nsp	nsp	RES.	330 OHM 1/4W J	CRD25TJ331T
POWER	R607		nsp	nsp	RES.	220 OHM 1/4W J	CRD25TJ221T
POWER	R608		nsp	nsp	RES.	330 OHM 1/4W J	CRD25TJ331T
POWER	R609		nsp	nsp	RES.	220 OHM 1/4W J	CRD25TJ221T
POWER	R610		nsp	nsp	RES.	330 OHM 1/4W J	CRD25TJ331T

NOTE : "nsp" PART IS LISTED FOR REFERENCE ONLY, MARANTZ WILL NOT SUPPLY THESE PARTS.

P.C.B. NAME	POS. NO.	VERS. COLOR	PART NO. (FOR EUR)	PART NO. (MZ)	PART NAME	DESCRIPTION
POWER	R611		nsp	nsp	RES.	10K OHM 1/5W J CRD20TJ103T
POWER	R612		nsp	nsp	RES.	10K OHM 1/5W J CRD20TJ103T
POWER	R613		nsp	nsp	RES.	10K OHM 1/5W J CRD20TJ103T
POWER	R614		nsp	nsp	RES.	10K OHM 1/5W J CRD20TJ103T
POWER	R615		nsp	nsp	RES.	10K OHM 1/5W J CRD20TJ103T
POWER	R616		nsp	nsp	RES.	10K OHM 1/5W J CRD20TJ103T
POWER	R617		nsp	nsp	RES.	10K OHM 1/5W J CRD20TJ103T
POWER	R618		nsp	nsp	RES.	10K OHM 1/5W J CRD20TJ103T
POWER	R619		nsp	nsp	RES.	10K OHM 1/5W J CRD20TJ103T
POWER	R620		nsp	nsp	RES.	10K OHM 1/5W J CRD20TJ103T
POWER	R621		nsp	nsp	RES.	10 OHM 1W J KRG1SANJ100RT
POWER	R622		nsp	nsp	RES.	10 OHM 1W J KRG1SANJ100RT
POWER	R623		nsp	nsp	RES.	10 OHM 1W J KRG1SANJ100RT
POWER	R624		nsp	nsp	RES.	10 OHM 1W J KRG1SANJ100RT
POWER	R625		nsp	nsp	RES.	10 OHM 1W J KRG1SANJ100RT
POWER	R626		nsp	nsp	RES.	10 OHM 1W J KRG1SANJ100RT
POWER	R627		nsp	nsp	RES.	330 OHM 1W CRG1ANJ331H
POWER	R628		nsp	nsp	RES.	330 OHM 1W CRG1ANJ331H
POWER	R631		nsp	nsp	RES.	150 OHM 1/4W J CRD25TJ151T
POWER	R632		nsp	nsp	RES.	150 OHM 1/4W J CRD25TJ151T
POWER	R633		nsp	nsp	RES.	15K OHM 1/5W J CRD20TJ153T
POWER	R634		nsp	nsp	RES.	15K OHM 1/5W J CRD20TJ153T
POWER	R635		nsp	nsp	RES.	15K OHM 1/5W J CRD20TJ153T
POWER	R636		nsp	nsp	RES.	15K OHM 1/5W J CRD20TJ153T
POWER	R637		nsp	nsp	RES.	10K OHM 1/5W J CRD20TJ103T
POWER	R638		nsp	nsp	RES.	33K OHM 1/5W J CRD20TJ333T
POWER	R639		nsp	nsp	RES.	100K OHM 1/5W J CRD20TJ104T
POWER	R640		nsp	nsp	RES.	1 OHM 1W CRG1ANJ1ROH
POWER	R641		nsp	nsp	RES.	1 OHM 1W CRG1ANJ1ROH
POWER	R642		nsp	nsp	RES.	10K OHM 1/5W J CRD20TJ103T
POWER	R643		nsp	nsp	RES.	10K OHM 1/5W J CRD20TJ103T
POWER	R644		nsp	nsp	RES.	22K OHM 1/5W J CRD20TJ223T
POWER	R645		nsp	nsp	RES.	22K OHM 1/5W J CRD20TJ223T
POWER	R646		nsp	nsp	RES.	10K OHM 1/5W J CRD20TJ103T
POWER	R647		nsp	nsp	RES.	1 OHM 1/4W J CRD25TJ1R0T
POWER	R648		nsp	nsp	RES.	2.2K OHM 1W J KRG1SANJ222RT
POWER	R649		nsp	nsp	RES.	1.5K OHM 1W J KRG1SANJ152RT
POWER	R650		nsp	nsp	RES.	100 OHM 1/4W J CRD25TJ101T
POWER	R651		nsp	nsp	RES.	100 OHM 1/4W J CRD25TJ101T
POWER	R652		nsp	nsp	CORD	SN95/PB5, 0.6 C3A206
POWER	▲ R653		90M-NH000150R	90M-NH000150R	FUSE RES.	! 0.15 OHM 1W J KRQ1AJR15H
POWER	RY61		00MLY20240490	00MLY20240490	RELAY	5GPA-28 DC24 HSL3B013ZE
POWER	RY62		00MLY20240490	00MLY20240490	RELAY	5GPA-28 DC24 HSL3B013ZE
POWER	RY63		00MLY20240490	00MLY20240490	RELAY	5GPA-28 DC24 HSL3B013ZE
POWER	RY64		00MLY20240490	00MLY20240490	RELAY	5GPA-28 DC24 HSL3B013ZE
POWER	RY65		00MLY20240510	00MLY20240510	RELAY	OSA-SS-224DM3 HSL4B017ZU
POWER	▲ RY66		00MLY20240520	00MLY20240520	RELAY	! PCLH-203D1SP HSL4B018ZU
ST-BY PWB (CUP11857-3)						
ST-BY	BK81		nsp	nsp	BRACKET	BRACKET PWB CMD1A387
ST-BY	BK82		nsp	nsp	BRACKET	BRACKET PWB CMD1A387
ST-BY	BK87		nsp	nsp	BRACKET	BRACKET FOR PWB CMD1A569
ST-BY	C881		nsp	nsp	CER. CAP.	0.1UF 50V Z HCBS1H104ZFT
ST-BY	C882		nsp	00MOA47505020	ELECT CAP.	4.7UF 50V CCEA1HH4R7T
ST-BY	C883		nsp	00MOA10701620	ELECT CAP.	100UF 16V CCEA1CH101T
ST-BY	C884		nsp	nsp	CER. CAP.	0.1UF 50V Z HCBS1H104ZFT
ST-BY	C885		nsp	nsp	CER. CAP.	0.1UF 50V Z HCBS1H104ZFT
ST-BY	C886		nsp	00MOA33802520	ELECT CAP.	3300UF 25V CCEA1EH332E
ST-BY	C887		nsp	nsp	CER. CAP.	1000PF 50V B HCBS1H102KBT
ST-BY	▲ C888		90M-DK100810R	90M-DK100810R	CER. CAP.	! DE1610-610F103M JP (KH TYPE) HCKWKH103MF
ST-BY	CN90		nsp	nsp	CONN.	5P B TO B CONNECTOR CJP05GB99ZM
ST-BY	CN91	/N1B	90M-YP100250R	90M-YP100250R	CONN.	MOLEX35328-02 CJP02GA89ZM
ST-BY	CN91	/N1S	90M-YP100250R	90M-YP100250R	CONN.	MOLEX35328-02 CJP02GA89ZM
ST-BY	CN92		90M-YP100250R	90M-YP100250R	CONN.	MOLEX35328-02 CJP02GA89ZM
ST-BY	CN93		90M-YP100250R	90M-YP100250R	CONN.	MOLEX35328-02 CJP02GA89ZM
ST-BY	▲ CP10		90M-OF100500R	90M-OF100500R	FILM CAP.	0.1UF 250V KZ CCQF2E104KZE
ST-BY	D802		nsp	00MHD20015210	DIODE	1SS133T-77 HVD1SS133MT
ST-BY	D803		nsp	nsp	CORD	SN95/PB5, 0.6 C3A206

NOTE : "nsp" PART IS LISTED FOR REFERENCE ONLY, MARANTZ WILL NOT SUPPLY THESE PARTS.

P.C.B. NAME	POS. NO.	VERS. COLOR	PART NO. (FOR EUR)	PART NO. (MZ)	PART NAME	DESCRIPTION	
ST-BY	D804	/N1B	nsp	90M-HD201730R	DIODE	1N4003	HVD1N4003ST
ST-BY	D804	/N1S	nsp	90M-HD201730R	DIODE	1N4003	CVD1N4003ST
ST-BY	D804	/U1B	nsp	90M-HD201730R	DIODE	1N4003	CVD1N4003ST
ST-BY	D805		nsp	nsp	CORD	SN95/PB5, 0.6	C3A206
ST-BY	D806		00MHD30821000	00MHD30821000	ZENER DIODE	8.2V 1/2W	HVDMTZJ8.2BT
ST-BY	▲ D807		90M-HD201750R	90M-HD201750R	DIODE	! 1N4003	KVD1N4003SRT
ST-BY	▲ D808		90M-HD201750R	90M-HD201750R	DIODE	! 1N4003	KVD1N4003SRT
ST-BY	▲ D809		90M-HD201750R	90M-HD201750R	DIODE	! 1N4003	KVD1N4003SRT
ST-BY	▲ D810		90M-HD201750R	90M-HD201750R	DIODE	! 1N4003	KVD1N4003SRT
ST-BY	▲ D811		90M-HD201750R	90M-HD201750R	DIODE	! 1N4003	KVD1N4003SRT
ST-BY	▲ D812		90M-HD201750R	90M-HD201750R	DIODE	! 1N4003	KVD1N4003SRT
ST-BY	D813		nsp	90M-HD201750R	DIODE	1N4003	KVD1N4003SRT
ST-BY	F801		nsp	nsp	CONN.	HOLDER, FUSE	KJCF5S
ST-BY	▲ F802	/U1B	nsp	90M-FS001070R	FUSE	! AC250V T2.5AL	KBA2D2500TLET
ST-BY	▲ F803		90M-FS001070R	90M-FS001070R	FUSE	! AC250V T2.5AL	KBA2D2500TLET
ST-BY	▲ IC85		90M-HC300500R	90M-HC300500R	IC	! KA7805-ABTU	HVIMC7805C
ST-BY	J115		nsp	nsp	CORD	SN95/PB5, 0.6	C3A206
ST-BY	J116		nsp	nsp	CORD	SN95/PB5, 0.6	C3A206
ST-BY	J174		nsp	nsp	CORD	SN95/PB5, 0.6	C3A206
ST-BY	J196		nsp	nsp	CORD	SN95/PB5, 0.6	C3A206
ST-BY	J829		nsp	nsp	CORD	SN95/PB5, 0.6	C3A206
ST-BY	J830		nsp	nsp	CORD	SN95/PB5, 0.6	C3A206
ST-BY	J831	/U1B	nsp	nsp	CORD	SN95/PB5, 0.6	C3A206
ST-BY	J834		nsp	nsp	CORD	SN95/PB5, 0.6	C3A206
ST-BY	J889	/N1B	nsp	nsp	CORD	SN95/PB5, 0.6	C3A206
ST-BY	J889	/N1S	nsp	nsp	CORD	SN95/PB5, 0.6	C3A206
ST-BY	J931		nsp	nsp	CORD	SN95/PB5, 0.6	C3A206
ST-BY	J961		nsp	nsp	CORD	SN95/PB5, 0.6	C3A206
ST-BY	▲ JK85	/U1B	nsp	90M-YT002410R	TERMINAL	! A204D0041P AC(UL/2P/SEP)	KJJ7A015Z
ST-BY	▲ JK86	/N1B	90M-YT002430R	90M-YT002430R	TERMINAL	! A302D0061P AC(EUR/1P)	KJJ7A022Z
ST-BY	▲ JK86	/N1S	90M-YT002430R	90M-YT002430R	TERMINAL	! A302D0061P AC(EUR/1P)	KJJ7A022Z
ST-BY	▲ L801		00MLY10090010	00MLY10090010	RELAY	! SDT-S-109DMR	HSL1D016ZE
ST-BY	Q804		00MBA20001000	00MBA20001000	TRS.	KRC102M	HVTKRC102MT
ST-BY	Q805		00MHT600111B0	00MHT600111B0	TRS.	KTA1267Y	HVTKTA1267YT
ST-BY	R881		nsp	nsp	RES.	47K OHM 1/5W J	CRD20TJ473T
ST-BY	R882		nsp	nsp	RES.	10K OHM 1/5W J	CRD20TJ103T
ST-BY	R883		nsp	nsp	RES.	2.2K OHM 1/5W J	CRD20TJ222T
ST-BY	R885		nsp	nsp	RES.	1 OHM 1/5W J	CRD20TJ1R0T
ST-BY	R886	/U1B	nsp	90M-GG000010R	RES.	3.3M OHM 1/10W J	HRDERC12UGK335T
ST-BY	R887		nsp	nsp	RES.	4.7K OHM 1/5W J	CRD20TJ472T
ST-BY	R888		nsp	nsp	RES.	10K OHM 1/5W J	CRD20TJ103T
ST-BY	R889		nsp	nsp	RES.	1M OHM 1W	CRO1TJ105V
ST-BY	R890		nsp	nsp	RES.	1M OHM 1W	CRO1TJ105V
ST-BY	▲ T801	/N1B	90M-TS001940R	90M-TS001940R	TRANSF.	! SUB SR5400(6400)/N1	CLT5I002ZE
ST-BY	▲ T801	/N1S	90M-TS001940R	90M-TS001940R	TRANSF.	! SUB SR5400(6400)/N1	CLT5I002ZE
ST-BY	▲ T801	/U1B	nsp	90M-TS001970R	TRANSF.	! SUB SR5400(6400)/U1	CLT5I002ZU
ST-BY	T802		90M-FN000280R	90M-FN000280R	FILTER	LINE FILTER	CLZ9Z069Z
					TACT PWB		
TACT	J822	/U1B	nsp	nsp	CORD	SN95/PB5, 0.6	C3A206
TACT	J823	/U1B	nsp	nsp	CORD	SN95/PB5, 0.6	C3A206
TACT	SW96	/U1B	nsp	90M-SP001210R	SW	SKHV10910G TACT	CST1A012ZT
					VIDEO PWB (CUP11860-2)		
VIDEO	BN21		nsp	nsp	CORD	WIRE ASSY	CWB1C906270EN
VIDEO	C702		nsp	00MOA10605020	ELECT CAP.	10UF 50V	CCEA1HH100T
VIDEO	C704		nsp	00MOA10605020	ELECT CAP.	10UF 50V	CCEA1HH100T
VIDEO	C706		nsp	00MOA10605020	ELECT CAP.	10UF 50V	CCEA1HH100T
VIDEO	C707		nsp	nsp	CER. CAP.	47PF 50V JC	CCCT1H470JC
VIDEO	C708		nsp	00MOA47701020	ELECT CAP.	470UF 10V	CCEA1AH471T
VIDEO	C710		nsp	00MOA10605020	ELECT CAP.	10UF 50V	CCEA1HH100T
VIDEO	C711		nsp	nsp	CER. CAP.	47PF 50V JC	CCCT1H470JC
VIDEO	C712		nsp	00MOA47701020	ELECT CAP.	470UF 10V	CCEA1AH471T
VIDEO	C713		nsp	nsp	CER. CAP.	68PF 50V JC	CCCT1H680JC
VIDEO	C714		nsp	00MOA47701020	ELECT CAP.	470UF 10V	CCEA1AH471T
VIDEO	C715		nsp	00MOA10605020	ELECT CAP.	10UF 50V	CCEA1HH100T
VIDEO	C716		nsp	00MOA10605020	ELECT CAP.	10UF 50V	CCEA1HH100T
VIDEO	C717		nsp	00MOA10605020	ELECT CAP.	10UF 50V	CCEA1HH100T
VIDEO	C719		nsp	00MOA10605020	ELECT CAP.	10UF 50V	CCEA1HH100T

NOTE : *nsp* PART IS LISTED FOR REFERENCE ONLY, MARANTZ WILL NOT SUPPLY THESE PARTS.

P.C.B. NAME	POS. NO.	VERS. COLOR	PART NO. (FOR EUR)	PART NO. (MZ)	PART NAME	DESCRIPTION	
VIDEO	C720		nsp	00MOA10605020	ELECT CAP.	10UF 50V	CCEA1HH100T
VIDEO	C722		nsp	00MOA10605020	ELECT CAP.	10UF 50V	CCEA1HH100T
VIDEO	C723		nsp	00MOA10605020	ELECT CAP.	10UF 50V	CCEA1HH100T
VIDEO	C725		nsp	00MOA10605020	ELECT CAP.	10UF 50V	CCEA1HH100T
VIDEO	C726		nsp	00MOA10605020	ELECT CAP.	10UF 50V	CCEA1HH100T
VIDEO	C727		nsp	nsp	CER. CAP.	47PF 50V JC	CCCT1H470JC
VIDEO	C728		nsp	00MOA47701020	ELECT CAP.	470UF 10V	CCEA1AH471T
VIDEO	C729		nsp	nsp	CER. CAP.	47PF 50V JC	CCCT1H470JC
VIDEO	C730		nsp	00MOA10605020	ELECT CAP.	10UF 50V	CCEA1HH100T
VIDEO	C732		nsp	00MOA10605020	ELECT CAP.	10UF 50V	CCEA1HH100T
VIDEO	C733		nsp	00MOA10605020	ELECT CAP.	10UF 50V	CCEA1HH100T
VIDEO	C734		nsp	nsp	CER. CAP.	47PF 50V JC	CCCT1H470JC
VIDEO	C735		nsp	00MOA47701020	ELECT CAP.	470UF 10V	CCEA1AH471T
VIDEO	C736		nsp	nsp	CER. CAP.	47PF 50V JC	CCCT1H470JC
VIDEO	C737		nsp	00MOA10605020	ELECT CAP.	10UF 50V	CCEA1HH100T
VIDEO	C738		nsp	nsp	CER. CAP.	68PF 50V JC	CCCT1H680JC
VIDEO	C739		nsp	00MOA47701020	ELECT CAP.	470UF 10V	CCEA1AH471T
VIDEO	C740		nsp	nsp	CER. CAP.	68PF 50V JC	CCCT1H680JC
VIDEO	C741		nsp	00MOA10605020	ELECT CAP.	10UF 50V	CCEA1HH100T
VIDEO	C742		nsp	00MOA10605020	ELECT CAP.	10UF 50V	CCEA1HH100T
VIDEO	C743		nsp	nsp	CORD	SN95/PB5, 0.6	C3A206
VIDEO	C744		nsp	00MOA22505020	ELECT CAP.	2.2UF 50V	CCEA1HH2R2T
VIDEO	C745		nsp	00MOA10605020	ELECT CAP.	10UF 50V	CCEA1HH100T
VIDEO	C746		nsp	00MOA10605020	ELECT CAP.	10UF 50V	CCEA1HH100T
VIDEO	C747		nsp	00MOA10605020	ELECT CAP.	10UF 50V	CCEA1HH100T
VIDEO	C748		nsp	nsp	CER. CAP.	0.01UF 50V Z	CCFT1H103ZF
VIDEO	C749		nsp	00MOA10701620	ELECT CAP.	100UF 16V	CCEA1CH101T
VIDEO	C751		nsp	00MOA47505020	ELECT CAP.	4.7UF 50V	CCEA1HH4R7T
VIDEO	C752		nsp	00MOA10605020	ELECT CAP.	10UF 50V	CCEA1HH100T
VIDEO	C753		nsp	00MOA10701620	ELECT CAP.	100UF 16V	CCEA1CH101T
VIDEO	C754		nsp	nsp	CER. CAP.	0.01UF 50V Z	CCFT1H103ZF
VIDEO	C755		nsp	nsp	CER. CAP.	47PF 50V JC	CCCT1H470JC
VIDEO	C756		nsp	nsp	CER. CAP.	0.01UF 50V Z	CCFT1H103ZF
VIDEO	C757		nsp	00MOA10701620	ELECT CAP.	100UF 16V	CCEA1CH101T
VIDEO	C758		nsp	00MOA10701620	ELECT CAP.	100UF 16V	CCEA1CH101T
VIDEO	C759		nsp	nsp	CER. CAP.	0.01UF 50V Z	CCFT1H103ZF
VIDEO	C760		nsp	nsp	CER. CAP.	47PF 50V JC	CCCT1H470JC
VIDEO	C761		nsp	nsp	CER. CAP.	0.01UF 50V Z	CCFT1H103ZF
VIDEO	C762		nsp	00MOA10701620	ELECT CAP.	100UF 16V	CCEA1CH101T
VIDEO	C763		nsp	00MOA10701620	ELECT CAP.	100UF 16V	CCEA1CH101T
VIDEO	C764		nsp	nsp	CER. CAP.	0.01UF 50V Z	CCFT1H103ZF
VIDEO	C765		nsp	nsp	CER. CAP.	47PF 50V JC	CCCT1H470JC
VIDEO	C766		nsp	nsp	CER. CAP.	0.01UF 50V Z	CCFT1H103ZF
VIDEO	C767		nsp	00MOA10701620	ELECT CAP.	100UF 16V	CCEA1CH101T
VIDEO	C768		nsp	nsp	CER. CAP.	1200PF 50V KB	CCKT1H122KB
VIDEO	C769		nsp	00MOA10505020	ELECT CAP.	1UF 50V	CCEA1HH1R0T
VIDEO	C770		nsp	nsp	CER. CAP.	0.01UF 50V Z	CCFT1H103ZF
VIDEO	C771		nsp	00MOA10701620	ELECT CAP.	100UF 16V	CCEA1CH101T
VIDEO	C773		nsp	nsp	CER. CAP.	24PF 50V JC	CCCT1H240JC
VIDEO	C774		nsp	nsp	CER. CAP.	22PF 50V JC	CCCT1H220JC
VIDEO	C775		nsp	00MOA10505020	ELECT CAP.	1UF 50V	CCEA1HH1R0T
VIDEO	C776		nsp	nsp	CER. CAP.	0.01UF 50V Z	CCFT1H103ZF
VIDEO	C777		nsp	nsp	CER. CAP.	30PF 50V JC	CCCT1H300JC
VIDEO	C778	/N1B	nsp	nsp	CER. CAP.	27PF 50V JC	CCCT1H270JC
VIDEO	C778	/N1S	nsp	nsp	CER. CAP.	27PF 50V JC	CCCT1H270JC
VIDEO	C778	/U1B	nsp	nsp	CER. CAP.	30PF 50V JC	CCCT1H300JC
VIDEO	C779		nsp	00MOA10605020	ELECT CAP.	10UF 50V	CCEA1HH100T
VIDEO	C780		nsp	nsp	CER. CAP.	47PF 50V JC	CCCT1H470JC
VIDEO	C781		nsp	nsp	CER. CAP.	1000PF 50V KB	CCKT1H102KB
VIDEO	C782		nsp	nsp	FILM CAP.	220PF 50V KB	CCKT1H221KB
VIDEO	C783		nsp	00MOA10605020	ELECT CAP.	10UF 50V	CCEA1HH100T
VIDEO	C785		nsp	nsp	CER. CAP.	0.01UF 50V Z	CCFT1H103ZF
VIDEO	C786		nsp	nsp	CER. CAP.	0.01UF 50V Z	CCFT1H103ZF
VIDEO	C787		nsp	00MOA10701620	ELECT CAP.	100UF 16V	CCEA1CH101T
VIDEO	C788		nsp	00MOA10605020	ELECT CAP.	10UF 50V	CCEA1HH100T
VIDEO	C789		nsp	00MOA10605020	ELECT CAP.	10UF 50V	CCEA1HH100T
VIDEO	C790		nsp	nsp	CER. CAP.	0.01UF 50V Z	CCFT1H103ZF

NOTE : "nsp" PART IS LISTED FOR REFERENCE ONLY, MARANTZ WILL NOT SUPPLY THESE PARTS.

P.C.B. NAME	POS. NO.	VERS. COLOR	PART NO. (FOR EUR)	PART NO. (MZ)	PART NAME	DESCRIPTION	
VIDEO	C791		nsp	nsp	CER. CAP.	0.01UF 50V Z	CCFT1H103ZF
VIDEO	C792		nsp	00MOA10701620	ELECT CAP.	100UF 16V	CCEA1CH101T
VIDEO	C793		nsp	nsp	CER. CAP.	0.022UF 50V Z	CCFT1H223ZF
VIDEO	C794		nsp	nsp	CER. CAP.	47PF 50V JC	CCCT1H470JC
VIDEO	C795		nsp	00MOA10701620	ELECT CAP.	100UF 16V	CCEA1CH101T
VIDEO	C796		nsp	nsp	CER. CAP.	0.01UF 50V Z	CCFT1H103ZF
VIDEO	C797		nsp	00MOA10605020	ELECT CAP.	10UF 50V	CCEA1HH100T
VIDEO	C798		nsp	nsp	CER. CAP.	0.01UF 50V Z	CCFT1H103ZF
VIDEO	C799		nsp	nsp	CER. CAP.	0.01UF 50V Z	CCFT1H103ZF
VIDEO	C800		nsp	00MOA10605020	ELECT CAP.	10UF 50V	CCEA1HH100T
VIDEO	C802		nsp	00MOA10605020	ELECT CAP.	10UF 50V	CCEA1HH100T
VIDEO	C803		nsp	nsp	CER. CAP.	0.01UF 50V Z	CCFT1H103ZF
VIDEO	C804		nsp	nsp	CER. CAP.	0.01UF 50V Z	CCFT1H103ZF
VIDEO	C805		nsp	00MOA10701620	ELECT CAP.	100UF 16V	CCEA1CH101T
VIDEO	C806		nsp	nsp	CER. CAP.	0.01UF 50V Z	CCFT1H103ZF
VIDEO	C807		nsp	nsp	CER. CAP.	1000PF 50V KB	CCKT1H102KB
VIDEO	C808		nsp	nsp	FILM CAP.	0.1UF 50V ZF	CCFT1H104ZF
VIDEO	C827		nsp	nsp	CER. CAP.	1000PF 50V KB	CCKT1H102KB
VIDEO	C828		nsp	nsp	CER. CAP.	0.01UF 50V Z	CCFT1H103ZF
VIDEO	CN12		nsp	nsp	CONN.	5P STRAIGHT	CJP05GA19ZY
VIDEO	CN37		nsp	nsp	CONN.	11P WAFER CARD CABLE	CJP11GA117ZY
VIDEO	CN41		nsp	nsp	CONN.	6P STRAIGHT	CJP06GA19ZY
VIDEO	D701		nsp	00MHD20015210	DIODE	1SS133T-77	HVD1SS133MT
VIDEO	D702		nsp	00MHD20015210	DIODE	1SS133T-77	HVD1SS133MT
VIDEO	D704		nsp	00MHD20015210	DIODE	1SS133T-77	HVD1SS133MT
VIDEO	D705		nsp	90M-HD201750R	DIODE	1N4003	KVD1N4003SRT
VIDEO	D706		nsp	00MHD20015210	DIODE	1SS133T-77	HVD1SS133MT
VIDEO	D707		nsp	00MHD20015210	DIODE	1SS133T-77	HVD1SS133MT
VIDEO	IC09		90M-HC300560R	90M-HC300560R	IC	KA7805	HVIMC7905C
VIDEO	IC71		00MHC10227090	00MHC10227090	IC	NJM2595D VIDEO S/W	HVINJM2595D
VIDEO	IC72		00MHC10227090	00MHC10227090	IC	NJM2595D VIDEO S/W	HVINJM2595D
VIDEO	IC73		00MHC10227090	00MHC10227090	IC	NJM2595D VIDEO S/W	HVINJM2595D
VIDEO	IC74		90M-HC108400R	90M-HC108400R	IC	NJM2535D VIDEO S/W	HVINJM2535D
VIDEO	IC75		00MHC10185090	00MHC10185090	IC	NJM2264D VIDEO	HVINJM2264D
VIDEO	IC76		00MHC10119090	00MHC10119090	IC	NJM2244D VIDEO	HVINJM2244D
VIDEO	IC77		00MHC10119090	00MHC10119090	IC	NJM2244D VIDEO	HVINJM2244D
VIDEO	IC78		00MHC10377030	00MHC10377030	IC	LC74781-9013 OSD	HVILC74781-9013
VIDEO	IC79		90M-HC108420R	90M-HC108420R	IC	TC74HC4094AP	HVITC74HC4094AP
VIDEO	IC80		90M-HC108420R	90M-HC108420R	IC	TC74HC4094AP	HVITC74HC4094AP
VIDEO	J700		nsp	nsp	CORD	SN95/PB5, 0.6	C3A206
VIDEO	J701		nsp	nsp	CORD	SN95/PB5, 0.6	C3A206
VIDEO	J702		nsp	nsp	CORD	SN95/PB5, 0.6	C3A206
VIDEO	J703		nsp	nsp	CORD	SN95/PB5, 0.6	C3A206
VIDEO	J704		nsp	nsp	CORD	SN95/PB5, 0.6	C3A206
VIDEO	J705		nsp	nsp	CORD	SN95/PB5, 0.6	C3A206
VIDEO	J706		nsp	nsp	CORD	SN95/PB5, 0.6	C3A206
VIDEO	J707		nsp	nsp	CORD	SN95/PB5, 0.6	C3A206
VIDEO	J708		nsp	nsp	CORD	SN95/PB5, 0.6	C3A206
VIDEO	J709		nsp	nsp	CORD	SN95/PB5, 0.6	C3A206
VIDEO	J710		nsp	nsp	CORD	SN95/PB5, 0.6	C3A206
VIDEO	J711		nsp	nsp	CORD	SN95/PB5, 0.6	C3A206
VIDEO	J712		nsp	nsp	CORD	SN95/PB5, 0.6	C3A206
VIDEO	J713		nsp	nsp	CORD	SN95/PB5, 0.6	C3A206
VIDEO	J714		nsp	nsp	CORD	SN95/PB5, 0.6	C3A206
VIDEO	J715		nsp	nsp	CORD	SN95/PB5, 0.6	C3A206
VIDEO	J716		nsp	nsp	CORD	SN95/PB5, 0.6	C3A206
VIDEO	J717		nsp	nsp	CORD	SN95/PB5, 0.6	C3A206
VIDEO	J718		nsp	nsp	CORD	SN95/PB5, 0.6	C3A206
VIDEO	J719		nsp	nsp	CORD	SN95/PB5, 0.6	C3A206
VIDEO	J720		nsp	nsp	CORD	SN95/PB5, 0.6	C3A206
VIDEO	J721		nsp	nsp	CORD	SN95/PB5, 0.6	C3A206
VIDEO	J722		nsp	nsp	CORD	SN95/PB5, 0.6	C3A206
VIDEO	J723		nsp	nsp	CORD	SN95/PB5, 0.6	C3A206
VIDEO	J724		nsp	nsp	CORD	SN95/PB5, 0.6	C3A206
VIDEO	J725		nsp	nsp	CORD	SN95/PB5, 0.6	C3A206
VIDEO	J726		nsp	nsp	CORD	SN95/PB5, 0.6	C3A206
VIDEO	J727		nsp	nsp	CORD	SN95/PB5, 0.6	C3A206

NOTE : *nsp* PART IS LISTED FOR REFERENCE ONLY, MARANTZ WILL NOT SUPPLY THESE PARTS.

P.C.B. NAME	POS. NO.	VERS. COLOR	PART NO. (FOR EUR)	PART NO. (MZ)	PART NAME	DESCRIPTION	
VIDEO	J728		nsp	nsp	CORD	SN95/PB5, 0.6	C3A206
VIDEO	J729		nsp	nsp	CORD	SN95/PB5, 0.6	C3A206
VIDEO	J730		nsp	nsp	CORD	SN95/PB5, 0.6	C3A206
VIDEO	J731		nsp	nsp	CORD	SN95/PB5, 0.6	C3A206
VIDEO	J732		nsp	nsp	CORD	SN95/PB5, 0.6	C3A206
VIDEO	J733		nsp	nsp	CORD	SN95/PB5, 0.6	C3A206
VIDEO	J734		nsp	nsp	CORD	SN95/PB5, 0.6	C3A206
VIDEO	J735		nsp	nsp	CORD	SN95/PB5, 0.6	C3A206
VIDEO	J736		nsp	nsp	CORD	SN95/PB5, 0.6	C3A206
VIDEO	J737		nsp	nsp	CORD	SN95/PB5, 0.6	C3A206
VIDEO	J738		nsp	nsp	CORD	SN95/PB5, 0.6	C3A206
VIDEO	J739		nsp	nsp	CORD	SN95/PB5, 0.6	C3A206
VIDEO	J741		nsp	nsp	CORD	SN95/PB5, 0.6	C3A206
VIDEO	J742		nsp	nsp	CORD	SN95/PB5, 0.6	C3A206
VIDEO	J743		nsp	nsp	CORD	SN95/PB5, 0.6	C3A206
VIDEO	J744		nsp	nsp	CORD	SN95/PB5, 0.6	C3A206
VIDEO	J745		nsp	nsp	CORD	SN95/PB5, 0.6	C3A206
VIDEO	J746		nsp	nsp	CORD	SN95/PB5, 0.6	C3A206
VIDEO	J747		nsp	nsp	CORD	SN95/PB5, 0.6	C3A206
VIDEO	J748		nsp	nsp	CORD	SN95/PB5, 0.6	C3A206
VIDEO	J749		nsp	nsp	CORD	SN95/PB5, 0.6	C3A206
VIDEO	J750		nsp	nsp	CORD	SN95/PB5, 0.6	C3A206
VIDEO	J751		nsp	nsp	CORD	SN95/PB5, 0.6	C3A206
VIDEO	J752		nsp	nsp	CORD	SN95/PB5, 0.6	C3A206
VIDEO	J753		nsp	nsp	CORD	SN95/PB5, 0.6	C3A206
VIDEO	J754		nsp	nsp	CORD	SN95/PB5, 0.6	C3A206
VIDEO	J755		nsp	nsp	CORD	SN95/PB5, 0.6	C3A206
VIDEO	J760		nsp	nsp	CORD	SN95/PB5, 0.6	C3A206
VIDEO	J761		nsp	nsp	CORD	SN95/PB5, 0.6	C3A206
VIDEO	J762		nsp	nsp	CORD	SN95/PB5, 0.6	C3A206
VIDEO	J763		nsp	nsp	CORD	SN95/PB5, 0.6	C3A206
VIDEO	J764		nsp	nsp	CORD	SN95/PB5, 0.6	C3A206
VIDEO	J765		nsp	nsp	CORD	SN95/PB5, 0.6	C3A206
VIDEO	J766		nsp	nsp	CORD	SN95/PB5, 0.6	C3A206
VIDEO	J767		nsp	nsp	CORD	SN95/PB5, 0.6	C3A206
VIDEO	J768		nsp	nsp	CORD	SN95/PB5, 0.6	C3A206
VIDEO	J769		nsp	nsp	CORD	SN95/PB5, 0.6	C3A206
VIDEO	J770		nsp	nsp	CORD	SN95/PB5, 0.6	C3A206
VIDEO	J771		nsp	nsp	CORD	SN95/PB5, 0.6	C3A206
VIDEO	J772		nsp	nsp	CORD	SN95/PB5, 0.6	C3A206
VIDEO	J773		nsp	nsp	CORD	SN95/PB5, 0.6	C3A206
VIDEO	J774		nsp	nsp	CORD	SN95/PB5, 0.6	C3A206
VIDEO	J775		nsp	nsp	CORD	SN95/PB5, 0.6	C3A206
VIDEO	J776		nsp	nsp	CORD	SN95/PB5, 0.6	C3A206
VIDEO	J777		nsp	nsp	CORD	SN95/PB5, 0.6	C3A206
VIDEO	J778		nsp	nsp	CORD	SN95/PB5, 0.6	C3A206
VIDEO	J779		nsp	nsp	CORD	SN95/PB5, 0.6	C3A206
VIDEO	J780		nsp	nsp	CORD	SN95/PB5, 0.6	C3A206
VIDEO	J781		nsp	nsp	CORD	SN95/PB5, 0.6	C3A206
VIDEO	J782		nsp	nsp	CORD	SN95/PB5, 0.6	C3A206
VIDEO	J783		nsp	nsp	CORD	SN95/PB5, 0.6	C3A206
VIDEO	J784		nsp	nsp	CORD	SN95/PB5, 0.6	C3A206
VIDEO	J785		nsp	nsp	CORD	SN95/PB5, 0.6	C3A206
VIDEO	J786		nsp	nsp	CORD	SN95/PB5, 0.6	C3A206
VIDEO	J787		nsp	nsp	CORD	SN95/PB5, 0.6	C3A206
VIDEO	J788		nsp	nsp	CORD	SN95/PB5, 0.6	C3A206
VIDEO	J789		nsp	nsp	CORD	SN95/PB5, 0.6	C3A206
VIDEO	J790		nsp	nsp	CORD	SN95/PB5, 0.6	C3A206
VIDEO	J791		nsp	nsp	CORD	SN95/PB5, 0.6	C3A206
VIDEO	J792		nsp	nsp	CORD	SN95/PB5, 0.6	C3A206
VIDEO	J793		nsp	nsp	CORD	SN95/PB5, 0.6	C3A206
VIDEO	J794		nsp	nsp	CORD	SN95/PB5, 0.6	C3A206
VIDEO	J795		nsp	nsp	CORD	SN95/PB5, 0.6	C3A206
VIDEO	J796		nsp	nsp	CORD	SN95/PB5, 0.6	C3A206
VIDEO	J797		nsp	nsp	CORD	SN95/PB5, 0.6	C3A206
VIDEO	J798		nsp	nsp	CORD	SN95/PB5, 0.6	C3A206
VIDEO	J799		nsp	nsp	CORD	SN95/PB5, 0.6	C3A206

NOTE : "nsp" PART IS LISTED FOR REFERENCE ONLY, MARANTZ WILL NOT SUPPLY THESE PARTS.

P.C.B. NAME	POS. NO.	VERS. COLOR	PART NO. (FOR EUR)	PART NO. (MZ)	PART NAME	DESCRIPTION	
VIDEO	J801		nsp	nsp	CORD	SN95/PB5, 0.6	C3A206
VIDEO	J802		nsp	nsp	CORD	SN95/PB5, 0.6	C3A206
VIDEO	J803		nsp	nsp	CORD	SN95/PB5, 0.6	C3A206
VIDEO	J804		nsp	nsp	CORD	SN95/PB5, 0.6	C3A206
VIDEO	J805		nsp	nsp	CORD	SN95/PB5, 0.6	C3A206
VIDEO	J806		nsp	nsp	CORD	SN95/PB5, 0.6	C3A206
VIDEO	J807		nsp	nsp	CORD	SN95/PB5, 0.6	C3A206
VIDEO	J808		nsp	nsp	CORD	SN95/PB5, 0.6	C3A206
VIDEO	J809		nsp	nsp	CORD	SN95/PB5, 0.6	C3A206
VIDEO	J810		nsp	nsp	CORD	SN95/PB5, 0.6	C3A206
VIDEO	J811		nsp	nsp	CORD	SN95/PB5, 0.6	C3A206
VIDEO	J812		nsp	nsp	CORD	SN95/PB5, 0.6	C3A206
VIDEO	J813		nsp	nsp	CORD	SN95/PB5, 0.6	C3A206
VIDEO	J814		nsp	nsp	CORD	SN95/PB5, 0.6	C3A206
VIDEO	J815		nsp	nsp	CORD	SN95/PB5, 0.6	C3A206
VIDEO	J816		nsp	nsp	CORD	SN95/PB5, 0.6	C3A206
VIDEO	J817		nsp	nsp	CORD	SN95/PB5, 0.6	C3A206
VIDEO	J818		nsp	nsp	CORD	SN95/PB5, 0.6	C3A206
VIDEO	J819		nsp	nsp	CORD	SN95/PB5, 0.6	C3A206
VIDEO	J820		nsp	nsp	CORD	SN95/PB5, 0.6	C3A206
VIDEO	J821		nsp	nsp	CORD	SN95/PB5, 0.6	C3A206
VIDEO	J822		nsp	nsp	CORD	SN95/PB5, 0.6	C3A206
VIDEO	J823		nsp	nsp	CORD	SN95/PB5, 0.6	C3A206
VIDEO	J824		nsp	nsp	CORD	SN95/PB5, 0.6	C3A206
VIDEO	J825		nsp	nsp	CORD	SN95/PB5, 0.6	C3A206
VIDEO	J827		nsp	nsp	CORD	SN95/PB5, 0.6	C3A206
VIDEO	J830		nsp	nsp	CORD	SN95/PB5, 0.6	C3A206
VIDEO	J832		nsp	nsp	CORD	SN95/PB5, 0.6	C3A206
VIDEO	J833		nsp	nsp	CORD	SN95/PB5, 0.6	C3A206
VIDEO	J834		nsp	nsp	CORD	SN95/PB5, 0.6	C3A206
VIDEO	J835		nsp	nsp	CORD	SN95/PB5, 0.6	C3A206
VIDEO	JC71		nsp	nsp	CONN.	25053WS-06A02	CJP06TT122ZP
VIDEO	JC72		nsp	nsp	CONN.	25053WS-06A02	CJP06TT122ZP
VIDEO	JC73		nsp	nsp	CONN.	25053WS-06A02	CJP06TT122ZP
VIDEO	JC74		nsp	nsp	CONN.	10P WAFER CARD CABLE	CJP11GA117ZY
VIDEO	JK71		90M-YT002940R	90M-YT002940R	TERMINAL	CINCH 3P YELLOW SILVER	CJJ4S010Z
VIDEO	JK72		90M-YT002950R	90M-YT002950R	TERMINAL	CINCH JACK 2P CVBS	CJJ4N043Z
VIDEO	JK73		90M-YT002950R	90M-YT002950R	TERMINAL	CINCH JACK 2P CVBS	CJJ4N043Z
VIDEO	JK74		90M-YT003260R	90M-YT003260R	TERMINAL	S-TERMINAL 3P	CJJ9S001Z
VIDEO	JK75		90M-YT003250R	90M-YT003250R	TERMINAL	S-TERMINAL 2P	CJJ9N001Z
VIDEO	JK76		90M-YT003250R	90M-YT003250R	TERMINAL	S-TERMINAL 2P	CJJ9N001Z
VIDEO	L701		nsp	nsp	COIL	33UH	HLQ02C330JT
VIDEO	L702		nsp	nsp	COIL	33UH	HLQ02C330JT
VIDEO	Q701		00MHT600111B0	00MHT600111B0	TRS.	KTA1267Y	HVTKTA1267YT
VIDEO	Q702		00MBA10001000	00MBA10001000	TRS.	KRA102M	HVTKRA102MT
VIDEO	Q703		00MHT30001000	00MHT30001000	TRS.	KTC3199Y	HVTKTC3199YT
VIDEO	Q704		00MHT30001000	00MHT30001000	TRS.	KTC3199Y	HVTKTC3199YT
VIDEO	Q705	/N1B	00MBA20004000	00MBA20004000	TRS.	KRC111M	HVTKRC111MT
VIDEO	Q705	/N1S	00MBA20004000	00MBA20004000	TRS.	KRC111M	HVTKRC111MT
VIDEO	Q706	/N1B	00MHT805501B0	00MHT805501B0	TRS.	KTC2874B	HVTKTC2874BT
VIDEO	Q706	/N1S	00MHT805501B0	00MHT805501B0	TRS.	KTC2874B	HVTKTC2874BT
VIDEO	Q707	/N1B	00MBA10001000	00MBA10001000	TRS.	KRA102M	HVTKRA102MT
VIDEO	Q707	/N1S	00MBA10001000	00MBA10001000	TRS.	KRA102M	HVTKRA102MT
VIDEO	Q708		00MHT30001000	00MHT30001000	TRS.	KTC3199Y	HVTKTC3199YT
VIDEO	Q710		00MBA20001000	00MBA20001000	TRS.	KRC102M	HVTKRC102MT
VIDEO	Q711		00MHT30001000	00MHT30001000	TRS.	KTC3199Y	HVTKTC3199YT
VIDEO	Q712		00MHT30001000	00MHT30001000	TRS.	KTC3199Y	HVTKTC3199YT
VIDEO	Q713		00MBA10001000	00MBA10001000	TRS.	KRA102M	HVTKRA102MT
VIDEO	R701		nsp	nsp	RES.	75 OHM 1/5W J	CRD20TJ750T
VIDEO	R702		nsp	nsp	CORD	SN95/PB5, 0.6	C3A206
VIDEO	R703		nsp	nsp	RES.	75 OHM 1/5W J	CRD20TJ750T
VIDEO	R704		nsp	nsp	CORD	SN95/PB5, 0.6	C3A206
VIDEO	R705		nsp	nsp	RES.	75 OHM 1/5W J	CRD20TJ750T
VIDEO	R706		nsp	nsp	CORD	SN95/PB5, 0.6	C3A206
VIDEO	R707		nsp	nsp	RES.	75 OHM 1/5W J	CRD20TJ750T
VIDEO	R708		nsp	nsp	RES.	75 OHM 1/5W J	CRD20TJ750T
VIDEO	R709		nsp	nsp	CORD	SN95/PB5, 0.6	C3A206

NOTE : *nsp* PART IS LISTED FOR REFERENCE ONLY, MARANTZ WILL NOT SUPPLY THESE PARTS.

P.C.B. NAME	POS. NO.	VERS. COLOR	PART NO. (FOR EUR)	PART NO. (MZ)	PART NAME	DESCRIPTION
VIDEO	R710		nsp	nsp	RES.	75 OHM 1/5W J CRD20TJ750T
VIDEO	R711		nsp	nsp	RES.	75 OHM 1/5W J CRD20TJ750T
VIDEO	R712		nsp	nsp	RES.	75 OHM 1/5W J CRD20TJ750T
VIDEO	R713		nsp	nsp	RES.	75 OHM 1/5W J CRD20TJ750T
VIDEO	R714		nsp	nsp	CORD	SN95/PB5, 0.6 C3A206
VIDEO	R715		nsp	nsp	RES.	75 OHM 1/5W J CRD20TJ750T
VIDEO	R716		nsp	nsp	RES.	75 OHM 1/5W J CRD20TJ750T
VIDEO	R717		nsp	nsp	CORD	SN95/PB5, 0.6 C3A206
VIDEO	R718		nsp	nsp	RES.	75 OHM 1/5W J CRD20TJ750T
VIDEO	R719		nsp	nsp	RES.	75 OHM 1/5W J CRD20TJ750T
VIDEO	R720		nsp	nsp	CORD	SN95/PB5, 0.6 C3A206
VIDEO	R721		nsp	nsp	RES.	75 OHM 1/5W J CRD20TJ750T
VIDEO	R722		nsp	nsp	RES.	75 OHM 1/5W J CRD20TJ750T
VIDEO	R723		nsp	nsp	RES.	75 OHM 1/5W J CRD20TJ750T
VIDEO	R724		nsp	nsp	RES.	75 OHM 1/5W J CRD20TJ750T
VIDEO	R725		nsp	nsp	CORD	SN95/PB5, 0.6 C3A206
VIDEO	R726		nsp	nsp	RES.	75 OHM 1/5W J CRD20TJ750T
VIDEO	R727		nsp	nsp	RES.	75 OHM 1/5W J CRD20TJ750T
VIDEO	R728		nsp	nsp	RES.	75 OHM 1/5W J CRD20TJ750T
VIDEO	R729		nsp	nsp	RES.	75 OHM 1/5W J CRD20TJ750T
VIDEO	R730		nsp	nsp	RES.	220K OHM 1/6W J CRD20TJ224T
VIDEO	R731		nsp	nsp	RES.	10 OHM 1/5W J CRD20TJ100T
VIDEO	R732		nsp	nsp	RES.	220 OHM 1/5W J CRD20TJ221T
VIDEO	R733		nsp	nsp	RES.	10K OHM 1/5W J CRD20TJ103T
VIDEO	R734		nsp	nsp	RES.	1M OHM 1/5W J CRD20TJ105T
VIDEO	R735		nsp	nsp	RES.	1M OHM 1/5W J CRD20TJ105T
VIDEO	R736		nsp	nsp	RES.	100K OHM 1/5W J CRD20TJ104T
VIDEO	R737		nsp	nsp	RES.	1M OHM 1/5W J CRD20TJ105T
VIDEO	R738		nsp	nsp	RES.	10K OHM 1/5W J CRD20TJ103T
VIDEO	R739		nsp	nsp	RES.	12K OHM 1/5W J CRD20TJ123T
VIDEO	R740		nsp	nsp	RES.	470 OHM 1/5W J CRD20TJ471T
VIDEO	R741		nsp	nsp	RES.	75 OHM 1/5W J CRD20TJ750T
VIDEO	R742		nsp	nsp	RES.	75 OHM 1/5W J CRD20TJ750T
VIDEO	R743		nsp	nsp	RES.	75 OHM 1/5W J CRD20TJ750T
VIDEO	R744		nsp	nsp	RES.	220 OHM 1/5W J CRD20TJ221T
VIDEO	R745		nsp	nsp	CORD	SN95/PB5, 0.6 C3A206
VIDEO	R746		nsp	nsp	RES.	1M OHM 1/5W J CRD20TJ105T
VIDEO	R747	/U1B	nsp	nsp	CORD	SN95/PB5, 0.6 C3A206
VIDEO	R750		nsp	nsp	RES.	10K OHM 1/5W J CRD20TJ103T
VIDEO	R752		nsp	nsp	RES.	75 OHM 1/5W J CRD20TJ750T
VIDEO	R753		nsp	nsp	RES.	220 OHM 1/5W J CRD20TJ221T
VIDEO	R756		nsp	nsp	CORD	SN95/PB5, 0.6 C3A206
VIDEO	R758		nsp	nsp	RES.	4.7K OHM 1/5W J CRD20TJ472T
VIDEO	R759		nsp	nsp	RES.	3.3K OHM 1/5W J CRD20TJ332T
VIDEO	R761		nsp	nsp	RES.	100K OHM 1/5W J CRD20TJ104T
VIDEO	R762		nsp	nsp	RES.	1M OHM 1/5W J CRD20TJ105T
VIDEO	R763		nsp	nsp	RES.	3.3K OHM 1/5W J CRD20TJ332T
VIDEO	R764		nsp	nsp	RES.	3.3K OHM 1/5W J CRD20TJ332T
VIDEO	R765		nsp	nsp	RES.	1M OHM 1/5W J CRD20TJ105T
VIDEO	R766		nsp	nsp	RES.	1M OHM 1/5W J CRD20TJ105T
VIDEO	R767		nsp	nsp	RES.	1M OHM 1/5W J CRD20TJ105T
VIDEO	R768		nsp	nsp	RES.	4.7K OHM 1/5W J CRD20TJ472T
VIDEO	R769		nsp	nsp	RES.	1K OHM 1/5W J CRD20TJ102T
VIDEO	R770		nsp	nsp	RES.	10K OHM 1/5W J CRD20TJ103T
VIDEO	R771		nsp	nsp	RES.	56 OHM 1/5W J CRD20TJ560T
VIDEO	R772		nsp	nsp	RES.	1K OHM 1/5W J CRD20TJ102T
VIDEO	R773		nsp	nsp	RES.	10K OHM 1/5W J CRD20TJ103T
VIDEO	R774		nsp	nsp	RES.	1K OHM 1/5W J CRD20TJ102T
VIDEO	R775		nsp	nsp	CORD	SN95/PB5, 0.6 C3A206
VIDEO	R776		nsp	nsp	RES.	1M OHM 1/5W J CRD20TJ105T
VIDEO	R777		nsp	nsp	RES.	1M OHM 1/5W J CRD20TJ105T
VIDEO	R778		nsp	nsp	RES.	1M OHM 1/5W J CRD20TJ105T
VIDEO	R781		nsp	nsp	RES.	10K OHM 1/5W J CRD20TJ103T
VIDEO	R782		nsp	nsp	RES.	100 OHM 1/5W J CRD20TJ101T
VIDEO	R783		nsp	nsp	RES.	10K OHM 1/5W J CRD20TJ103T
VIDEO	R791		nsp	nsp	RES.	100 OHM 1/5W J CRD20TJ101T
VIDEO	R792		nsp	nsp	RES.	10K OHM 1/5W J CRD20TJ103T

NOTE : "nsp" PART IS LISTED FOR REFERENCE ONLY, MARANTZ WILL NOT SUPPLY THESE PARTS.

P.C.B. NAME	POS. NO.	VERS. COLOR	PART NO. (FOR EUR)	PART NO. (MZ)	PART NAME	DESCRIPTION
VIDEO	R795		nsp	nsp	RES.	3.3K OHM 1/5W J CRD20TJ332T
VIDEO	R799	/N1B	nsp	nsp	RES.	10K OHM 1/5W J CRD20TJ103T
VIDEO	R799	/N1S	nsp	nsp	RES.	10K OHM 1/5W J CRD20TJ103T
VIDEO	RJ21		nsp	nsp	RES.	10K OHM 1/5W J CRD20TJ103T
VIDEO	X701		90M-JX001080R	90M-JX001080R	X'TAL	14M318 HOX14318D220F
VIDEO	X702	/N1B	90M-JX001090R	90M-JX001090R	X'TAL	17M318 HOX17744D220F
VIDEO	X702	/N1S	90M-JX001090R	90M-JX001090R	X'TAL	17M318 HOX17744D220F

NOTE : *nsp* PART IS LISTED FOR REFERENCE ONLY, MARANTZ WILL NOT SUPPLY THESE PARTS.