

3. SCHEMATIC DIAGRAM

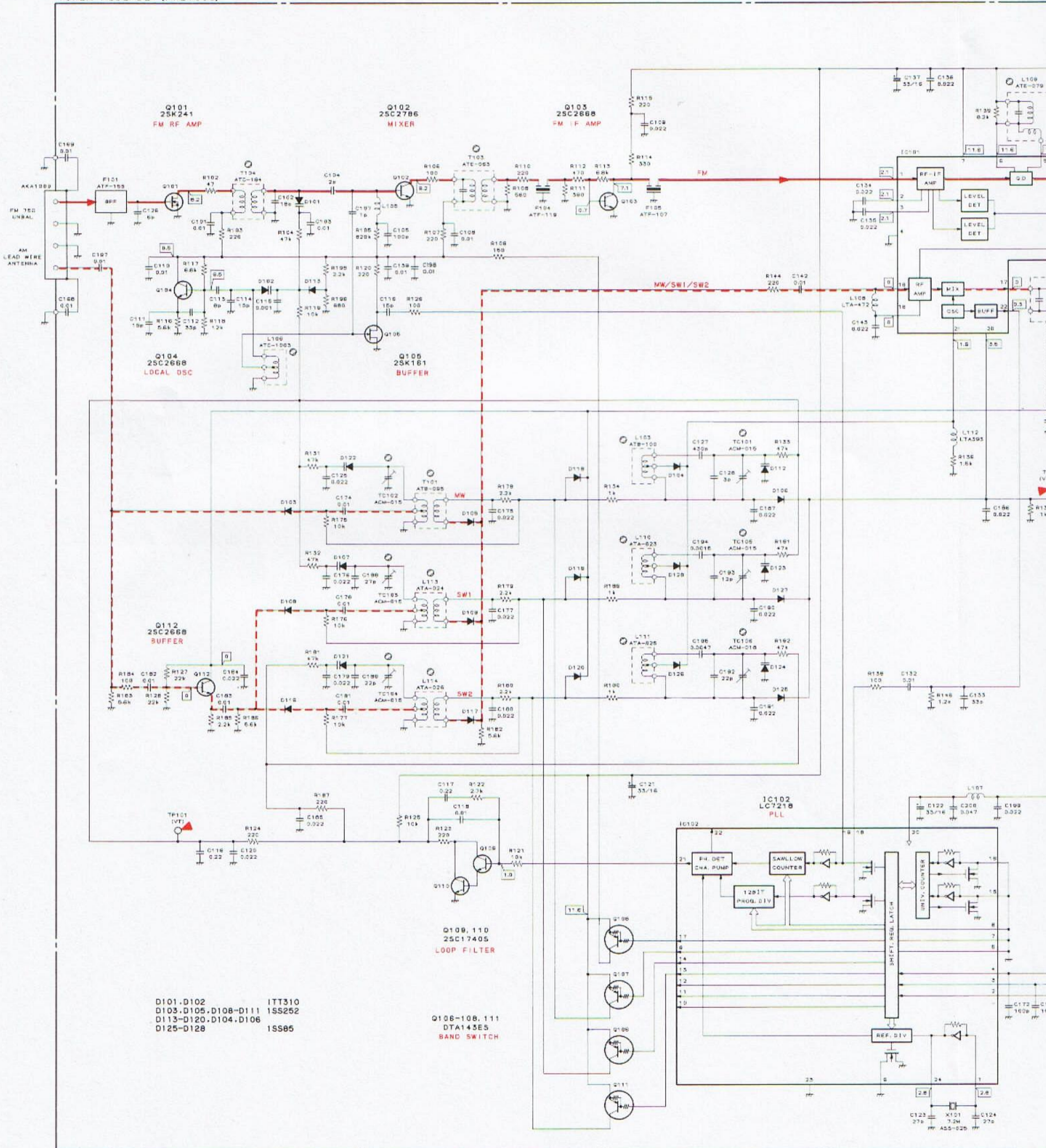
A

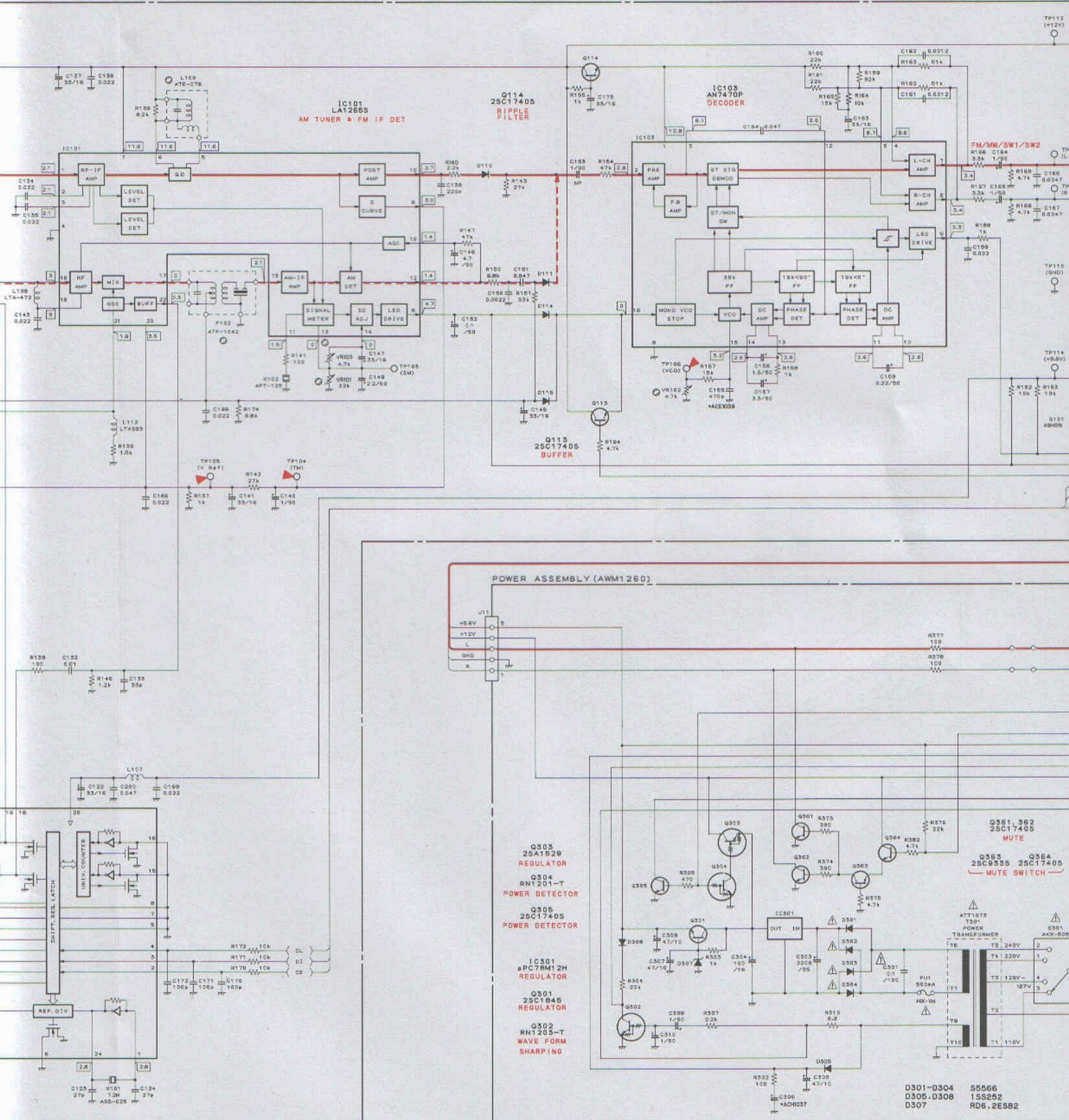
B

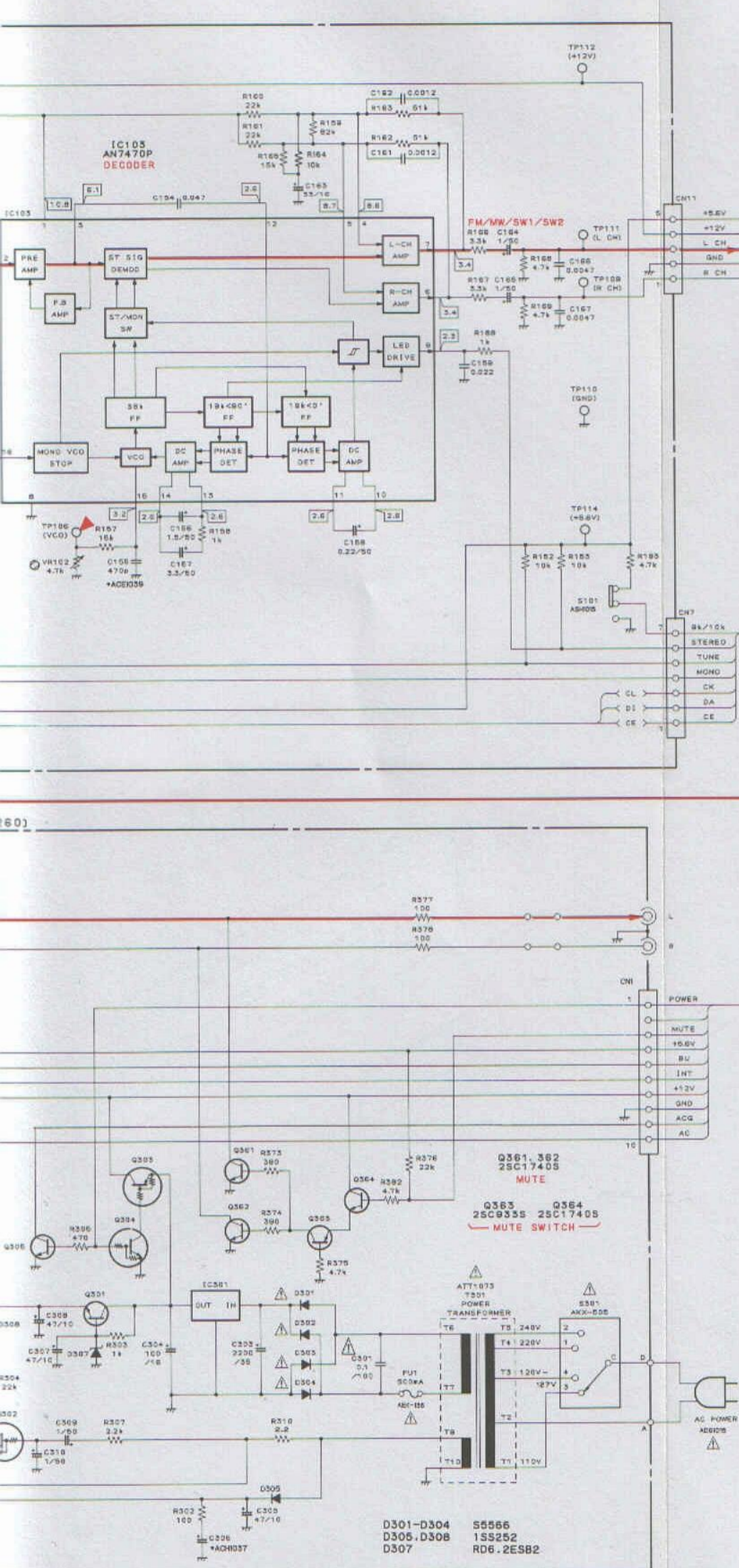
C

D

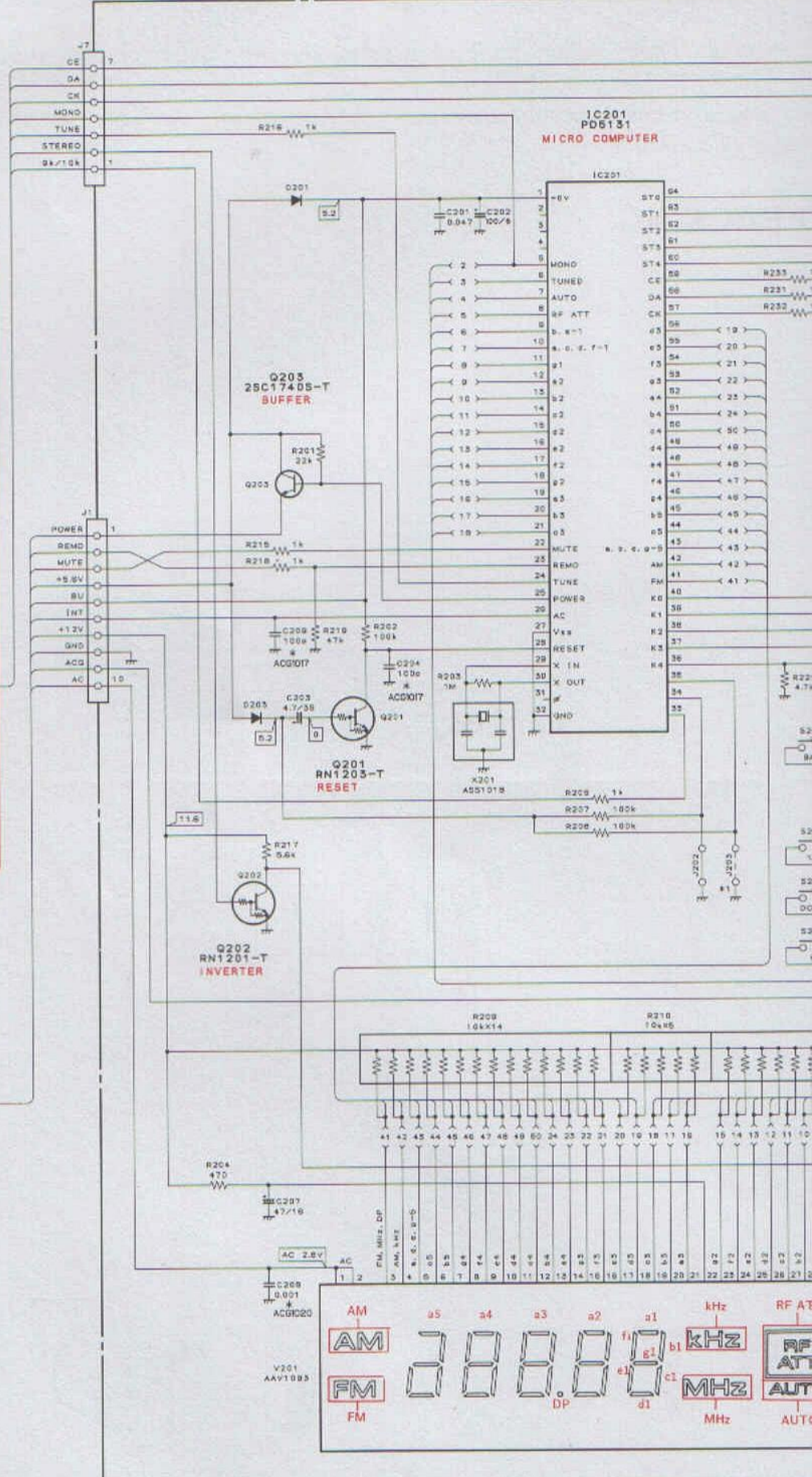
TUNER ASSEMBLY (AWE1069)







CONTROL ASSEMBLY (AWP1029)



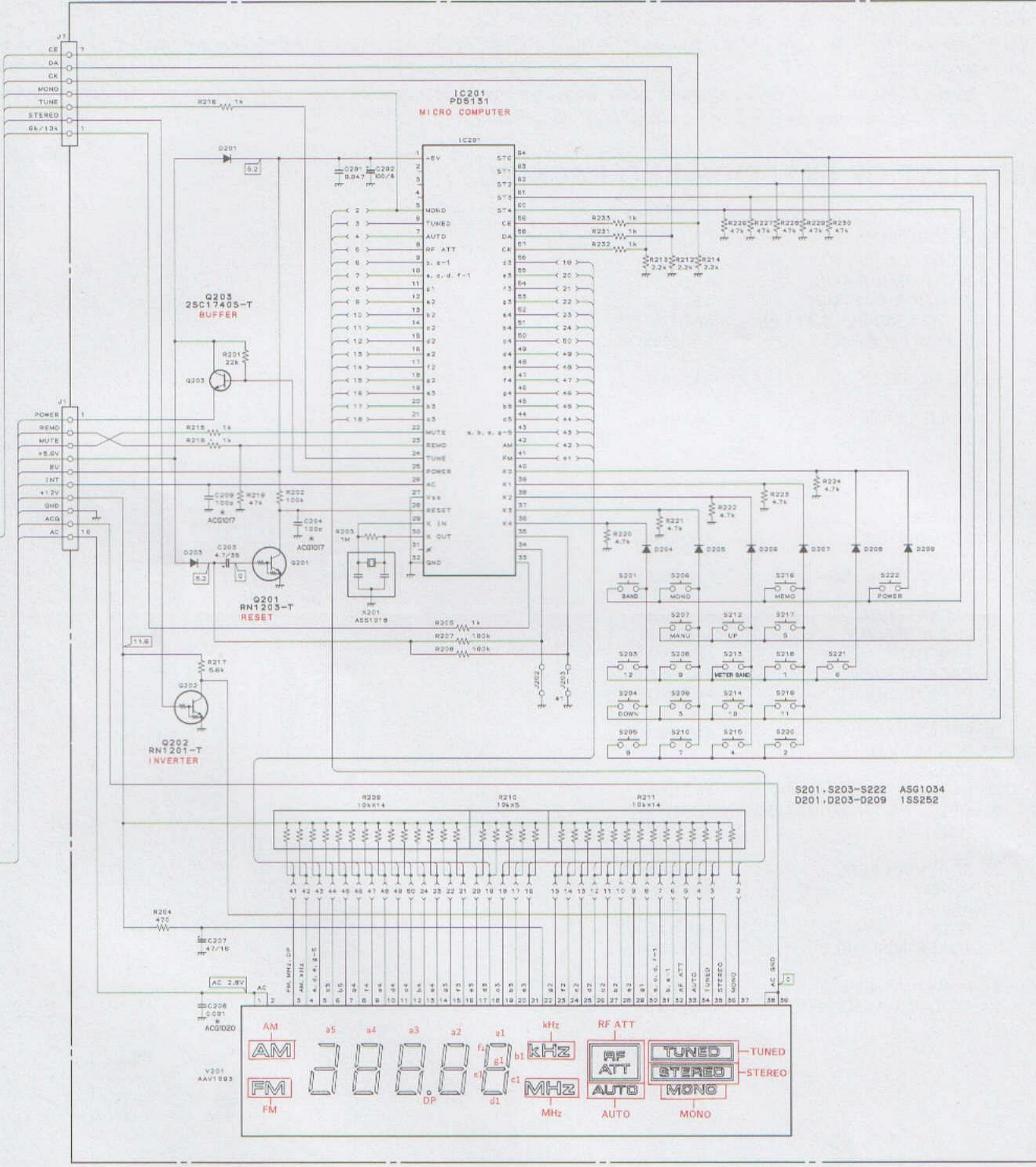
CONTROL ASSEMBLY (AWP1029)

A

B

C

D



S201, S203-S222 A5G1034
D201, D203-D209 15S252

*1: Cut the jumper wire J203 when the control assembly of F-2275/SD is replaced.