

Service Manual

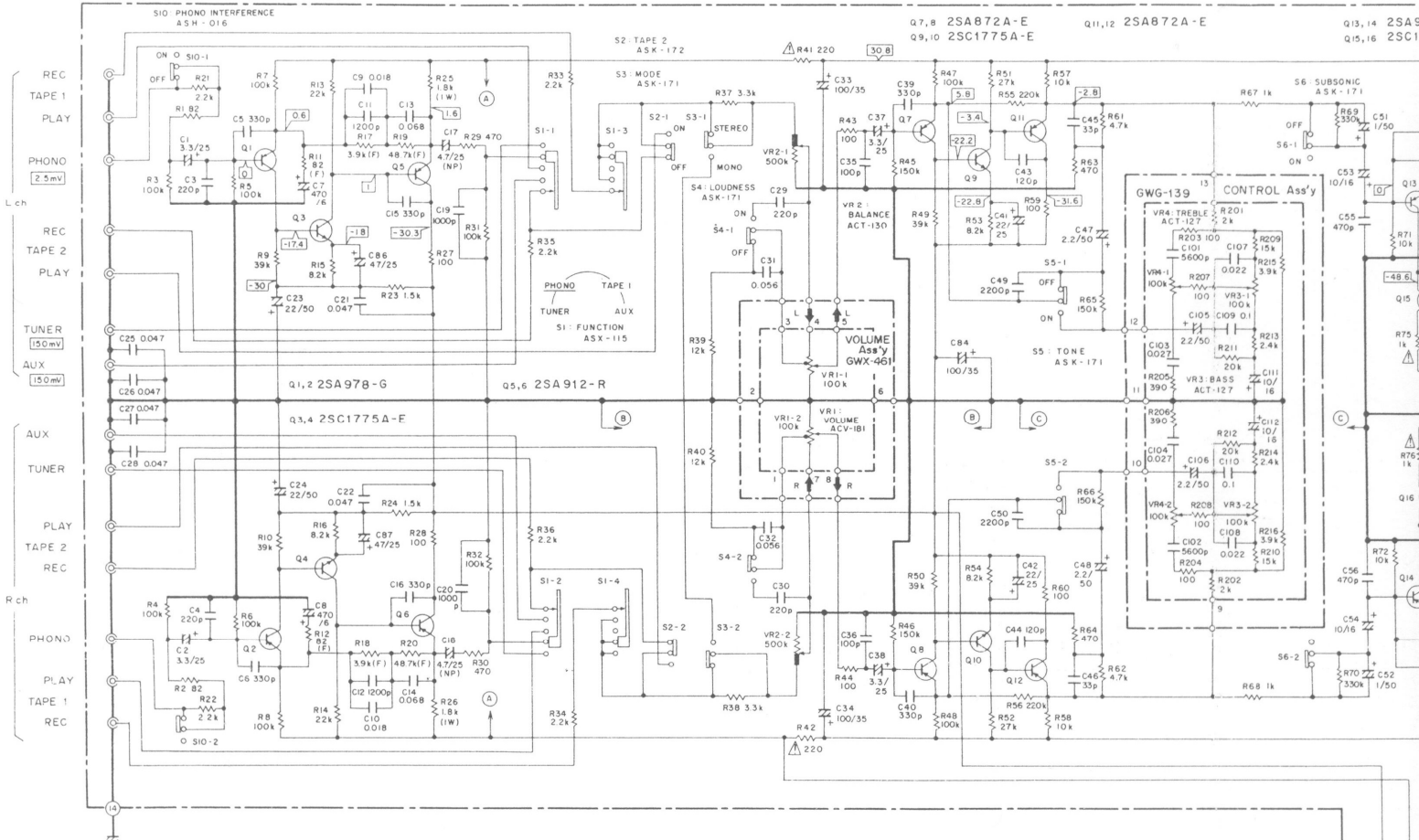
STEREO AMPLIFIER

SA-710

 PIONEER®

10.2 SCHEMATIC DIAGRAM

AF AMP Ass'y (1/2) GWK-145

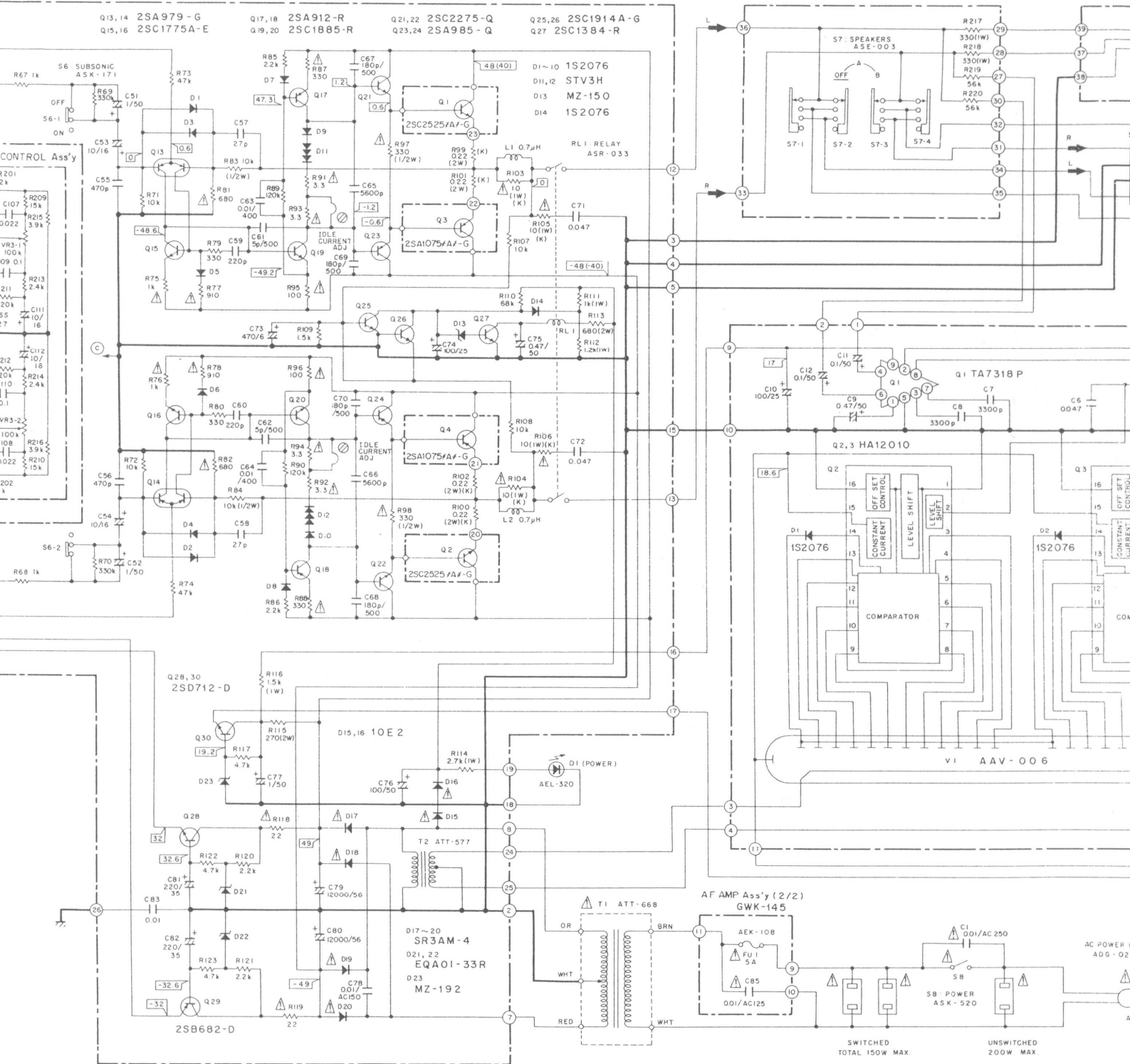


- RESISTORS:**
Indicated in Ω , $\frac{1}{2}W$, $\pm 5\%$ tolerance unless otherwise noted k : k Ω , M : M Ω , (F) : $\pm 1\%$, (G) : $\pm 2\%$, (K) : $\pm 10\%$ tolerance
 - CAPACITORS:**
Indicated in capacity (μF)/voltage (V) unless otherwise noted p = pF
Indication without voltage is 50V except electrolytic capacitor.
 - VOLTAGE, CURRENT:**
 - \square V : Signal voltage at 65 W + 65 W 8 Ω output (1KHz)
 - \square V : DC voltage (V) at no input signal
 - Value in () is DC voltage at rated power.
 - \triangleleft mA : DC current at no input signal
 - OTHERS:**
 - \rightarrow Signal route.
 - \odot : Adjusting point.
 - The Δ mark found on some component parts indicates the importance of the safety factor of the part. Therefore, when replacing, be sure to use parts of identical designation.
- This is the basic schematic diagram, but the actual circuit may vary due to improvements in design.

SWITCHES:

- S1,9 : FUNCTION TUNER — PHONO — TAPE 1 — AUX
- S2 : TAPE 2 ON — OFF
- S3 : MODE STEREO — MONO
- S4 : LOUDNESS ON — OFF
- S5 : TONE ON — OFF
- S6 : SUBSONIC (15 Hz) ON — OFF
- S7 : SPEAKERS OFF — A — B
- S8 : POWER ON — OFF
- S10 : PHONO INTERFERENCE ON — OFF

The underlined indicates the switch position.



External Appearance of Transistors and ICs

