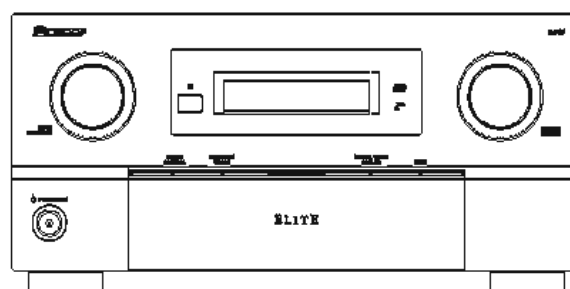


Service Manual



ORDER NO.
RRV3818

AUDIO/VIDEO MULTI-CHANNEL RECEIVER

SC-07

SC-05

THIS MANUAL IS APPLICABLE TO THE FOLLOWING MODEL(S) AND TYPE(S).

Model	Type	Power Requirement	Remarks
SC-07	KUXJ/CA	AC 120 V	
SC-05	KUXJ/CA	AC 120 V	



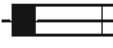
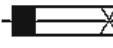
For details, refer to "Important Check Points for good servicing".



SAFETY INFORMATION



This service manual is intended for qualified service technicians; it is not meant for the casual do-it-yourselfer. Qualified technicians have the necessary test equipment and tools, and have been trained to properly and safely repair complex products such as those covered by this manual. Improperly performed repairs can adversely affect the safety and reliability of the product and may void the warranty. If you are not qualified to perform the repair of this product properly and safely, you should not risk trying to do so and refer the repair to a qualified service technician.

WARNING
This product contains certain electrical parts contain chemicals which are known to the State of California to cause cancer, birth defects or other reproductive harm.
Health & Safety Code Section 25249.6 – Proposition 65

NOTICE
(FOR CANADIAN MODEL ONLY)
Fuse symbols  (fast operating fuse) and/or  (slow operating fuse) on PCB indicate that replacement parts must be of identical designation.

REMARQUE
(POUR MODÈLE CANADIEN SEULEMENT)
Les symboles de fusible  (fusible de type rapide) et/ou  (fusible de type lent) sur CCI indiquent que les pièces de remplacement doivent avoir la même désignation.

(FOR USA MODEL ONLY)

1. SAFETY PRECAUTIONS

The following check should be performed for the continued protection of the customer and service technician.

LEAKAGE CURRENT CHECK

Measure leakage current to a known earth ground (water pipe, conduit, etc.) by connecting a leakage current tester such as Simpson Model 229-2 or equivalent between the earth ground and all exposed metal parts of the appliance (input/output terminals, screwheads, metal overlays, control shaft, etc.). Plug the AC line cord of the appliance directly into a 120V AC 60 Hz outlet and turn the AC power switch on. Any current measured must not exceed 0.5 mA.

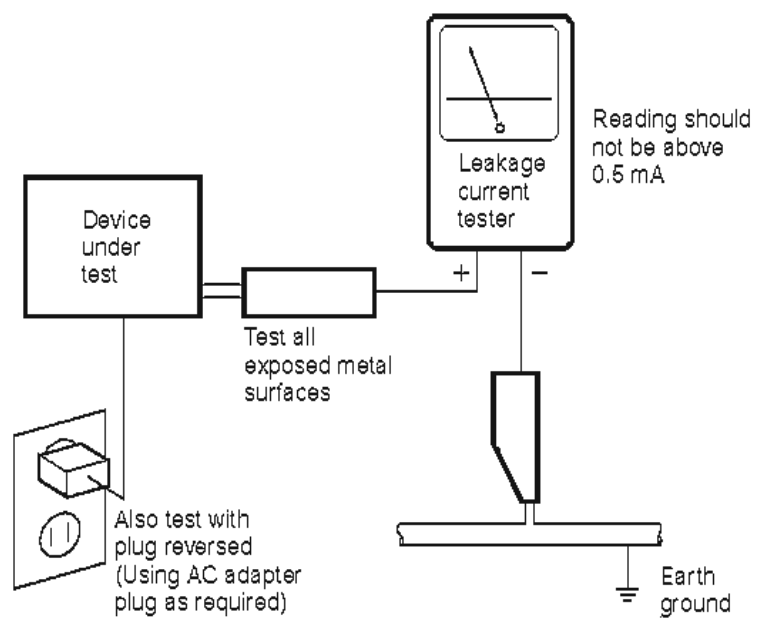
ANY MEASUREMENTS NOT WITHIN THE LIMITS OUTLINED ABOVE ARE INDICATIVE OF A POTENTIAL SHOCK HAZARD AND MUST BE CORRECTED BEFORE RETURNING THE APPLIANCE TO THE CUSTOMER.

2. PRODUCT SAFETY NOTICE

Many electrical and mechanical parts in the appliance have special safety related characteristics. These are often not evident from visual inspection nor the protection afforded by them necessarily can be obtained by using replacement components rated for voltage, wattage, etc. Replacement parts which have these special safety characteristics are identified in this Service Manual.

Electrical components having such features are identified by marking with a Δ on the schematics and on the parts list in this Service Manual. The use of a substitute replacement component which does not have the same safety characteristics as the PIONEER recommended replacement one, shown in the parts list in this Service Manual, may create shock, fire, or other hazards.

Product Safety is continuously under review and new instructions are issued from time to time. For the latest information, always consult the current PIONEER Service Manual. A subscription to, or additional copies of, PIONEER Service Manual may be obtained at a nominal charge from PIONEER.



AC Leakage Test

[Important Check Points for Good Servicing]

In this manual, procedures that must be performed during repairs are marked with the below symbol. Please be sure to confirm and follow these procedures.

1. Product safety



Please conform to product regulations (such as safety and radiation regulations), and maintain a safe servicing environment by following the safety instructions described in this manual.

- ① Use specified parts for repair.

Use genuine parts. Be sure to use important parts for safety.

- ② Do not perform modifications without proper instructions.

Please follow the specified safety methods when modification (addition/change of parts) is required due to interferences such as radio/TV interference and foreign noise.

- ③ Make sure the soldering of repaired locations is properly performed.

When you solder while repairing, please be sure that there are no cold solder and other debris. Soldering should be finished with the proper quantity. (Refer to the example)

- ④ Make sure the screws are tightly fastened.

Please be sure that all screws are fastened, and that there are no loose screws.

- ⑤ Make sure each connectors are correctly inserted.

Please be sure that all connectors are inserted, and that there are no imperfect insertion.

- ⑥ Make sure the wiring cables are set to their original state.

Please replace the wiring and cables to the original state after repairs. In addition, be sure that there are no pinched wires, etc.

- ⑦ Make sure screws and soldering scraps do not remain inside the product.

Please check that neither solder debris nor screws remain inside the product.

- ⑧ There should be no semi-broken wires, scratches, melting, etc. on the coating of the power cord.

Damaged power cords may lead to fire accidents, so please be sure that there are no damages. If you find a damaged power cord, please exchange it with a suitable one.

- ⑨ There should be no spark traces or similar marks on the power plug.

When spark traces or similar marks are found on the power supply plug, please check the connection and advise on secure connections and suitable usage. Please exchange the power cord if necessary.

- ⑩ Safe environment should be secured during servicing.

When you perform repairs, please pay attention to static electricity, furniture, household articles, etc. in order to prevent injuries. Please pay attention to your surroundings and repair safely.

2. Adjustments



To keep the original performance of the products, optimum adjustments and confirmation of characteristics within specification. Adjustments should be performed in accordance with the procedures/instructions described in this manual.

3. Lubricants, Glues, and Replacement parts



Use grease and adhesives that are equal to the specified substance. Make sure the proper amount is applied.

4. Cleaning



For parts that require cleaning, such as optical pickups, tape deck heads, lenses and mirrors used in projection monitors, proper cleaning should be performed to restore their performances.

5. Shipping mode and Shipping screws



To protect products from damages or failures during transit, the shipping mode should be set or the shipping screws should be installed before shipment. Please be sure to follow this method especially if it is specified in this manual.

CONTENTS

- 1. SERVICE PRECAUTIONS 6
 - 1.1 NOTES ON SOLDERING 6
 - 1.2 NOTES ON REPLACING PARTS 6
 - 1.3 NOTES ON ASSEMBLING 7
- 2. SPECIFICATIONS 9
 - 2.1 ACCESSORIES 9
 - 2.2 SPECIFICATIONS 10
 - 2.3 PANEL FACILITIES 11
- 3. BASIC ITEMS FOR SERVICE 18
 - 3.1 CHECK POINTS AFTER SERVICING 18
 - 3.2 PCB LOCATIONS 19
 - 3.3 JIGS LIST 21
- 4. BLOCK DIAGRAM 22
 - 4.1 OVERALL WIRING DIAGRAM 22
 - 4.2 AUDIO BLOCK DIAGRAM 24
 - 4.3 DSP BLOCK DIAGRAM 26
 - 4.4 HDMI NETWORK BLOCK DIAGRAM 27
 - 4.5 MICROCOMPUTER BLOCK DIAGRAM 28
 - 4.6 POWER BLOCK DIAGRAM 30
- 5. DIAGNOSIS 32
 - 5.1 DIAGNOSIS FLOWCHART 32
 - 5.2 CIRCUIT DESCRIPTION 66
- 6. SERVICE MODE 74
 - 6.1 TEST MODE 74
- 7. DISASSEMBLY 79
- 8. EACH SETTING AND ADJUSTMENT 82
 - 8.1 HOW TO UPDATE FIRMWARE 82
- 9. EXPLODED VIEWS AND PARTS LIST 88
 - 9.1 PACKING SECTION 88
 - 9.2 EXTERIOR SECTION 90
 - 9.3 CHASSIS SECTION 92
 - 9.4 REAR PANEL SECTION 94
 - 9.5 FRONT PANEL SECTION 96
- 10. SCHEMATIC DIAGRAM 98
 - 10.1 AUDIO ASSY 98
 - 10.2 D-MOTHER ASSY (1/4) 100
 - 10.3 D-MOTHER ASSY (2/4) 102
 - 10.4 D-MOTHER ASSY (3/4) 104
 - 10.5 D-MOTHER ASSY (4/4) 106
 - 10.6 FRONT IN and V-BRIDGE ASSYS 108
 - 10.7 232C & CONTROL ASSY 110
 - 10.8 HDMI NETWORK ASSY (1/6) 112
 - 10.9 HDMI NETWORK ASSY (2/6) 114
 - 10.10 HDMI NETWORK ASSY (3/6) 116
 - 10.11 HDMI NETWORK ASSY (4/6) 118
 - 10.12 HDMI NETWORK ASSY (5/6) 120
 - 10.13 HDMI NETWORK ASSY (6/6) 122
 - 10.14 INTERFACE ASSY 124
 - 10.15 COMPONENT ASSY 126
 - 10.16 COMPOSITE S ASSY 128
 - 10.17 FRONT BRIDGE ASSY 130
 - 10.18 DISPLAY, VOL and POWER SW ASSYS 132
 - 10.19 PRE BRIDGE, ICE BUFFER, ICE SHIELD and PRIMARY GUARD ASSYS 134
 - 10.20 ICE INTERFACE and ZOUT ASSYS 136
 - 10.21 ICEPOWER AMP ASSY (1/5) 138
 - 10.22 ICEPOWER AMP ASSY (2/5) 140
 - 10.23 ICEPOWER AMP ASSY (3/5) 142
 - 10.24 ICEPOWER AMP ASSY (4/5) 144
 - 10.25 ICEPOWER AMP ASSY (5/5) 146
 - 10.26 PRIMARY ASSY 148
 - 10.27 REG ASSY 150
 - 10.28 ICE REG ASSY 152
 - 10.29 B REG ASSY 154
 - 10.30 B DIODE, DCDC, and HDMI RECT ASSYS 156
- 11. PCB CONNECTION DIAGRAM 157

11.1 AUDIO ASSY	158
11.2 D-MOTHER ASSY	162
11.3 FRONT IN ASSY	166
11.4 232C & CONTROL ASSY	167
11.5 HDMI NETWORK ASSY	168
11.6 INTERFACE ASSY	172
11.7 COMPONENT and V-BRIDGE ASSYS	176
11.8 COMPOSITE S ASSY	180
11.9 FRONT BRIDGE ASSY	182
11.10 DISPLAY, POWER SW and VOL ASSYS	184
11.11 PRE BRIDGE, ICE BUFFER and ICE SHIELD ASSYS	188
11.12 ICE INTERFACE ASSY	190
11.13 ICEPOWER AMP ASSY	192
11.14 ZOUT, PRIMARY GUARD and REG ASSYS	196
11.15 PRIMARY ASSY	200
11.16 ICE REG ASSY	202
11.17 B DIODE and B REG ASSYS	204
11.18 DCDC and HDMI RECT ASSYS	206
12. ELECTRICAL PARTS LIST	207

1. SERVICE PRECAUTIONS

1.1 NOTES ON SOLDERING

- For environmental protection, lead-free solder is used on the printed circuit boards mounted in this unit.
Be sure to use lead-free solder and a soldering iron that can meet specifications for use with lead-free solders for repairs accompanied by reworking of soldering.
- Compared with conventional eutectic solders, lead-free solders have higher melting points, by approximately 40 °C.
Therefore, for lead-free soldering, the tip temperature of a soldering iron must be set to around 373 °C in general, although the temperature depends on the heat capacity of the PC board on which reworking is required and the weight of the tip of the soldering iron.

Do NOT use a soldering iron whose tip temperature cannot be controlled.

Compared with eutectic solders, lead-free solders have higher bond strengths but slower wetting times and higher melting temperatures (hard to melt/easy to harden).

The following lead-free solders are available as service parts:

- Parts numbers of lead-free solder:
GYP1006 1.0 in dia.
GYP1007 0.6 in dia.
GYP1008 0.3 in dia.

1.2 NOTES ON REPLACING PARTS

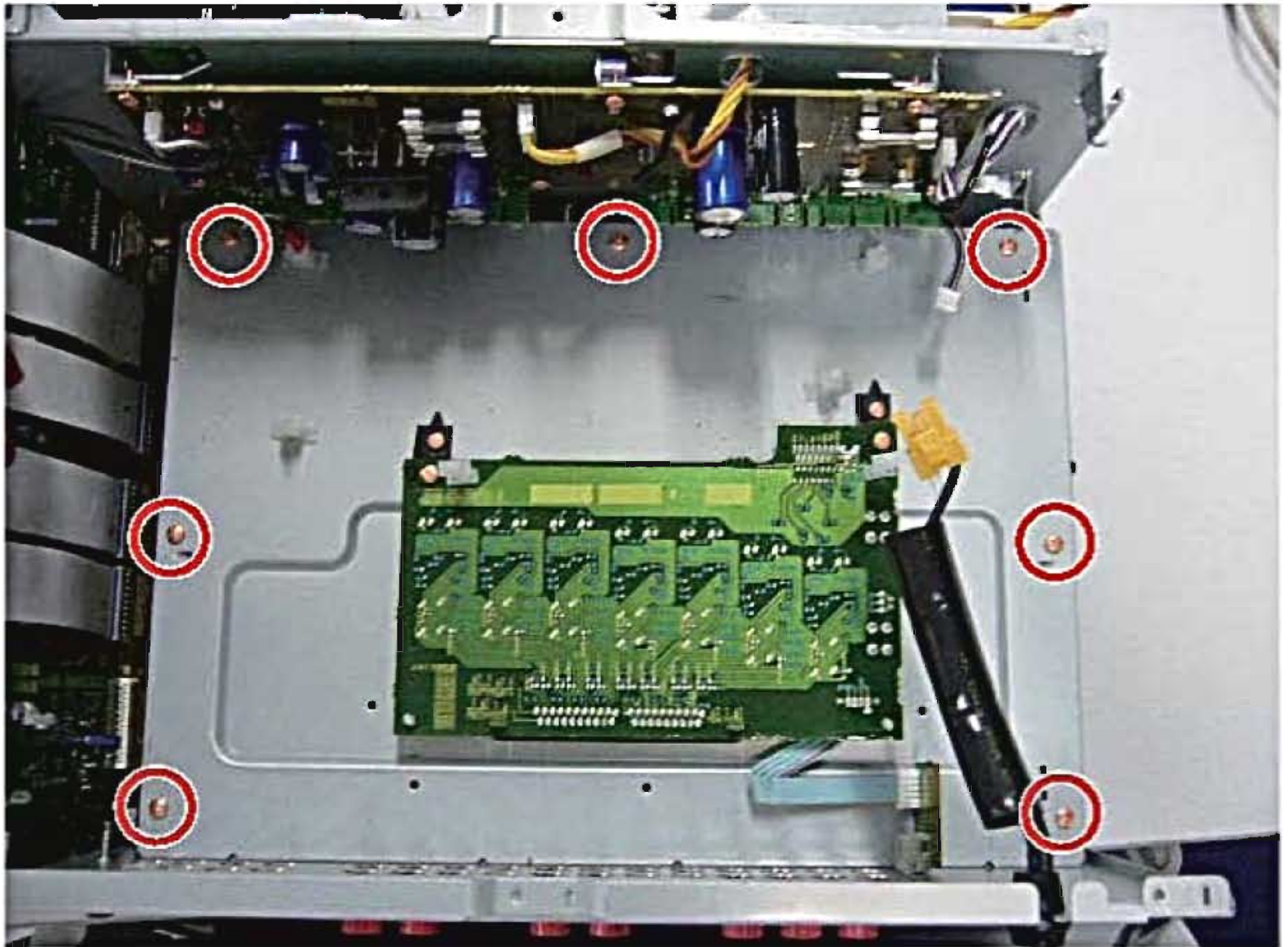
The part listed below is difficult to replace as a discrete component part.
When the part listed in the table is defective, replace whole Assy.

ASSY NAME	PCB ASSY Part No.	Parts that is Difficult to Replace			
		Ref No.	FUNCTION	Part No.	Remarks
HDMI NETWORK ASSY	SC-07 : AWX9135 SC-05 : AWX9190	IC101	HDMI Receiver	SII9135CTU	IC with heat-pad
		IC701	MEDIA Processor	DM850E	IC with heat-pad
		IC791	iPod Co-Processor	341S2154	IC with heat-pad

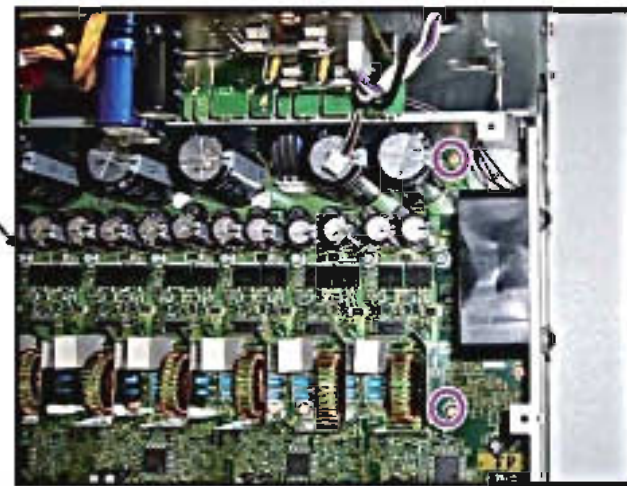
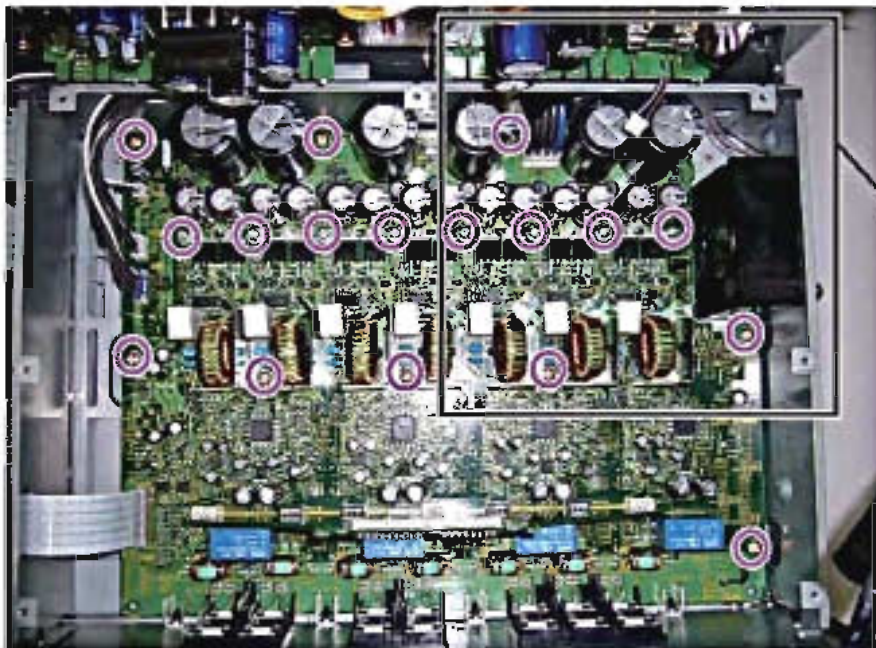
1.3 NOTES ON ASSEMBLING

When assembling the ICE amplifier block, please note the following points of screws to prevent from short circuit.

The following 7 points of screws must always be used PMH30P080FCC



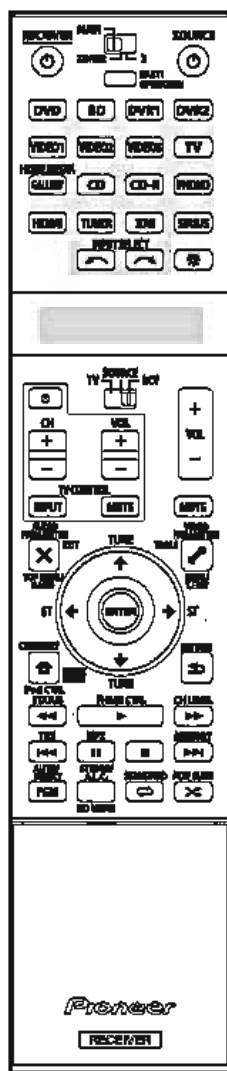
Points to be watched for swarf



If a screw at any of these points needs to be removed for service, be sure to check that the swarf is not on the screw before refastening.

2. SPECIFICATIONS

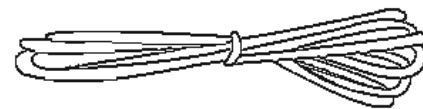
2.1 ACCESSORIES



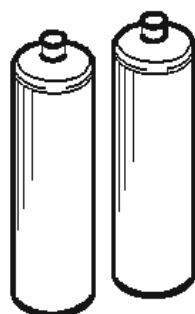
Remote Control Unit
(AXD7520)



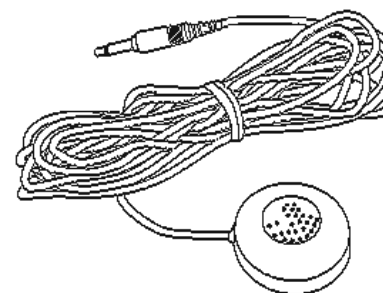
AM Loop Antenna
(ATB7013)



FM Wire Antenna
(ADH7030)

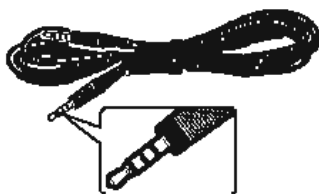


AA/IEC R6P
Dry Cell Batteries



Setup Microphone
(for Auto MCACC setup)
(APM7008)

SERVICE PARTS



SR+ mini-plug cable
(ADE7095)

2.2 SPECIFICATIONS

Specifications

Amplifier section
Continuous average power output of 140 watts* per channel, min., at 8 ohms, from 20 Hz to 20 000 Hz with no more than 0.09%** total harmonic distortion.

Multi channel simultaneous power output (1 kHz, 1 %, 8 Ω)
7ch total 700 W (SC-07)/630 W (SC-05)
Continuous Power Output (20 Hz to 20 kHz, 8 Ω, 0.09 %)
Front 140 W + 140 W
Center 140 W
Surround 140 W + 140 W
Surround back 140 W + 140 W
Continuous Power Output (1 kHz, 6 Ω, 1.0 %)
Front 180 W + 180 W
Center 180 W
Surround 180 W + 180 W
Surround back 180 W + 180 W
Total harmonic distortion..... 0.05 %
(20 Hz to 20 kHz, 130 W, 8 Ω)
* Measured pursuant to the Federal Trade Commission's Trade Regulation rule on Power Output Claims for Amplifiers
** Measured by Audio Spectrum Analyzer

Audio Section
Input (Sensitivity/Impedance)
PHONO MM 4.2 mV/47 kΩ
LINE 335 mV/47 kΩ
Frequency Response (LINE) 5 Hz to 100 000 Hz ±3 dB
Output (Level/Impedance)
REC 335 mV/2.2 kΩ
Signal-to-Noise Ratio (IHF, short circuited, A network)
LINE 103 dB
Signal-to-Noise Ratio [EIA, at 1 W (1 kHz)]
LINE 83 dB

Composite Video / S-Video Section
Input (Sensitivity/Impedance) 1 Vp-p/75 Ω
Output (Level/Impedance) 1 Vp-p/75 Ω
Signal-to-Noise Ratio 65 dB
Frequency Response 5 Hz to 10 MHz

Component Video Section
Input (Sensitivity/Impedance) 1 Vp-p/75 Ω
Output (Level/Impedance) 1 Vp-p/75 Ω
Signal-to-Noise Ratio 65 dB
Frequency Response 5 Hz to 100 MHz

HDMI Section
Input 19-pin
Output 19-pin (5 V, 100 mA)

Network Section
LAN terminal 10 BASE-T/100-BASE-TX

USB Section
USB terminal USB2.0 Full Speed

FM Tuner Section
Frequency Range 87.5 MHz to 108 MHz
Antenna Input 75 Ω unbalanced

AM Tuner Section
Frequency Range 530 kHz to 1700 kHz
Antenna Loop antenna

Miscellaneous
Power Requirements AC 120 V, 60 Hz
Power Consumption 330 W
In standby 0.4 W (HDMI Control OFF)
0.6 W (HDMI Control ON)
Dimensions 420 (W) mm x 200 (H) mm x 459.5 (D) mm
(16 9/16 (W) in. x 7 7/8 (H) in. x 18 1/8 (D) in.)
Weight (without package) 18.5 kg (40.8 lb)

Furnished Parts
Setup microphone (for Auto MCACC Setup) 1
AA/IEC R6P dry cell batteries..... 2
Remote control unit 1
AM loop antenna..... 1
FM wire antenna 1
Warranty card 1
Operating instructions

 **Note**

• Specifications and the design are subject to possible modifications without notice, due to improvements.

Manufactured under license from Dolby Laboratories. "Dolby", "Pro Logic", "Surround EX" and the double-D symbol are trademarks of Dolby Laboratories.

Manufactured under license under U.S. Patent #'s: 5,451,942; 5,956,674; 5,974,380; 5,978,762; 6,226,616; 6,487,535 & other U.S. and worldwide patents issued & pending. DTS is a registered trademark and the DTS logos, Symbol, DTS-HD and DTS-HD Master Audio are trademarks of DTS, Inc. © 1996-2007 DTS, Inc. All Rights Reserved.

Windows Media and the Windows logo are trademarks or registered trademarks of Microsoft Corporation in the United States and/or other countries.

THX, the THX logo, Ultra2 Plus and Select2 Plus are trademarks of THX Ltd. which may be registered in some jurisdictions. All rights reserved. All other trademarks are the property of their respective owners.

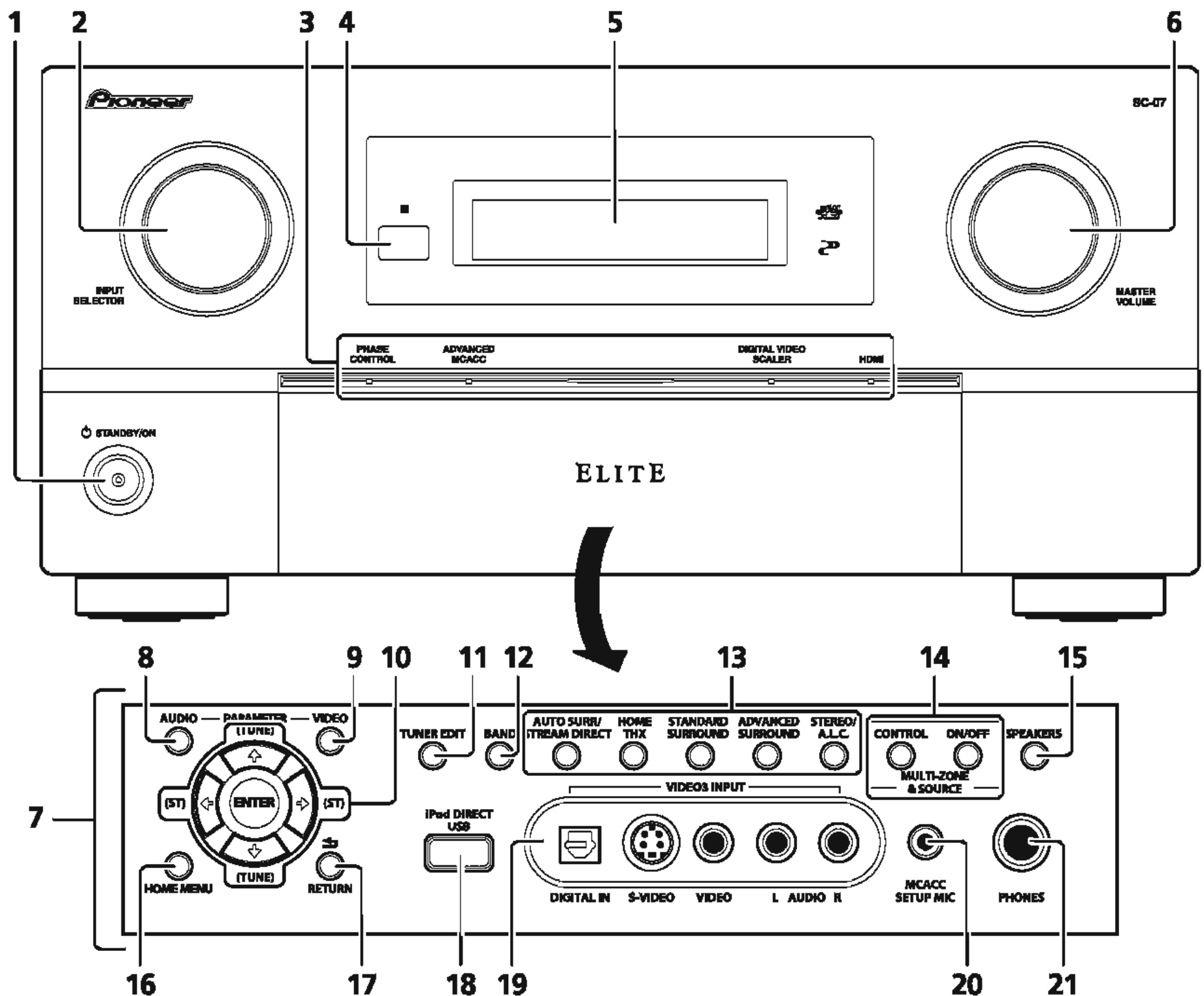
"Neural Surround", "Neural Audio", "Neural" and "NRL" are trademarks and logos owned by Neural Audio Corporation, THX is a trademark of THX Ltd., which may be registered in some jurisdictions. All rights reserved.

XM Ready® is a registered trademark of XM Satellite Radio Inc. The XM® name and related logo are registered trademarks of XM Satellite Radio Inc. All rights reserved.

SIRIUS and the Sirius READY logo are registered trademarks of SIRIUS Satellite Radio Inc.

2.3 PANEL FACILITIES

[1] Front panel



1 **STANDBY/ON**

Switches the receiver between on and standby. Power indicator lights when the receiver is on.

2 **INPUT SELECTOR dial**

Use to select an input source.

3 PHASE CONTROL indicator – Lights to indicate Phase Control or Full Band Phase Control is selected.

ADVANCED MCACC indicator – Lights when one of the Selecting MCACC presets is selected.

DIGITAL VIDEO SCALER indicator – Lights when Resolution is set to a setting other than **PURE** (for example, when the video input signal is upscaled)

HDMI indicator – Blinks when connecting an HDMI-equipped component; lights when the component is connected.

4 **Remote sensor**

Receives the signals from the remote control.

5 **Character display**

6 **MASTER VOLUME dial**

7 **Front panel controls**

To access the front panel controls, push gently on the lower third portion of the panel with your finger.

8 **AUDIO PARAMETER**

Use to access the Audio options.

9 **VIDEO PARAMETER**

Use to access the Video options.

10 ↑/↓/←/→ (TUNE/ST) /ENTER

Use the arrow buttons when setting up your **HOME MENU**.
Use **TUNE** ↑/↓ to find radio frequencies and use
ST ←/→ to find preset stations.

11 TUNER EDIT

Use with ↑/↓/←/→/ENTER to memorize and name stations for recall.


12 BAND

Switches between AM and FM radio bands.

13 Listening mode buttons

AUTO SURR/STREAM DIRECT – Press to select Auto Surround or Stream Direct listening.

HOME THX – Press to select a Home THX listening mode.

STANDARD SURROUND – Press for Standard decoding and to switch between the various  Pro Logic IIx and Neo:6 options.

ADVANCED SURROUND – Use to switch between the various surround modes.

STEREO/A.L.C. – Switches between stereo playback, Auto level control stereo mode and Front Stage Surround Advance modes.

14 MULTI-ZONE & SOURCE controls

If you've made MULTI-ZONE connections use these controls to control the sub zone from the main zone.

15 SPEAKERS

Use to change the speaker system.

16 HOME MENU

Press to access the HOME MENU.

17 RETURN

Press to confirm and exit the current menu screen.

18 iPod DIRECT USB terminal

Use to connect your Apple iPod as an audio source, or connect a USB audio device for playback.

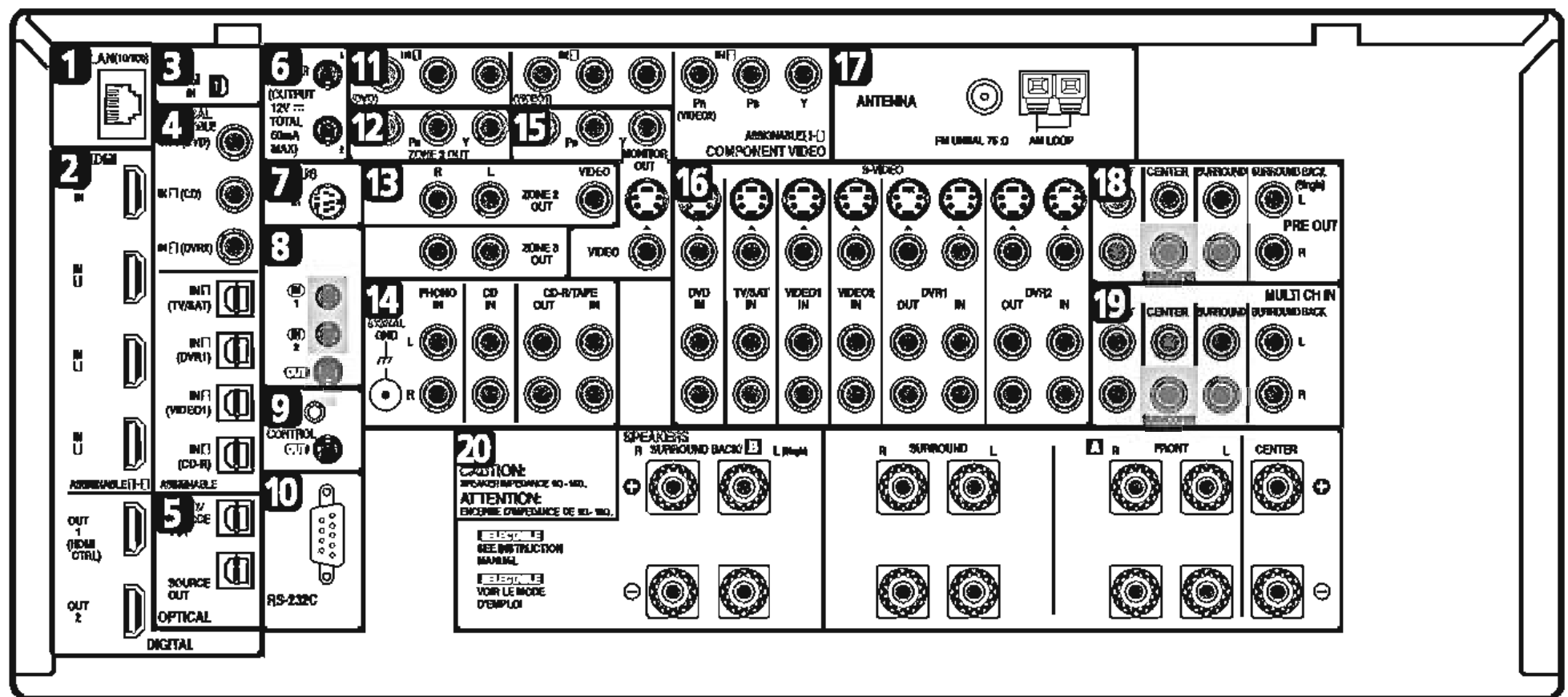
19 VIDEO 3 INPUT**20 MCACC SETUP MIC jack**

Use to connect the supplied microphone.

21 PHONES jack

Use to connect headphones. When the headphones are connected, there is no sound output from the speakers.

[2] Rear panel



Caution

- Before making or changing the connections, switch off the power and disconnect the power cord from the power outlet. Plugging in should be the final step.

1 LAN (10/100) terminal

2 HDMI connectors (x6 (SC-07), x5 (SC-05))

Multiple inputs and one (SC-05) or two (SC-07) outputs for high-quality audio/video connection to compatible HDMI devices.

3 XM Radio input

4 Optical and coaxial digital audio inputs (x7 (SC-07), x6 (SC-05))

Use for digital audio sources, including DVD players/recorders, digital satellite receivers, CD players, etc.

5 Optical digital audio outputs (x2)

Use for recording to a CD or MiniDisc recorder. **ZONE3/SOURCE OUT** jack is also used for MULTI-ZONE connections.

6 12 V trigger jacks (total 50 mA max.) (x2)

Use to switch components in your system on and off according to the input function of the receiver.

7 SIRIUS Radio input

8 Remote inputs/output

Use for connection to an external remote control sensor for use in a MULTI-ZONE setup, for example.

9 Control input/output

Use to connect other Pioneer components so that you can control all your equipment from a single IR remote sensor.

10 RS-232C connector

Use for connection to a PC for graphical output when using Advanced MCACC or Full Band Phase Control.

11 Component video inputs (x3)

Use the inputs to connect any video source that has component video output, such as a DVD player.

12 SC-07 only: ZONE 2 component video output

Use to connect monitors or TVs in a separate room.

13 MULTI-ZONE audio/video outputs

Use to connect a second or third amplifier and monitors or TVs in a separate room.

14 Stereo analog audio source inputs/(outputs) (x4)

Use for connection to audio sources such as CD players, tape decks, turntables, etc.

15 Composite, S-Video and Component monitor outputs

Use to connect monitors and TVs.

16 Audio/video source inputs/(outputs) (x8)

Use for connection to audio/visual sources, such as DVD players/recorders, VCRs, etc. Each set of inputs has jacks for composite video, S-Video and stereo analog audio.

17 AM and FM antenna terminals

Use to connect indoor or outdoor antennas for radio broadcasts.

18 Multichannel pre-amplifier outputs

Use to connect separate amplifiers for front, center, surround, surround back and subwoofer channels.

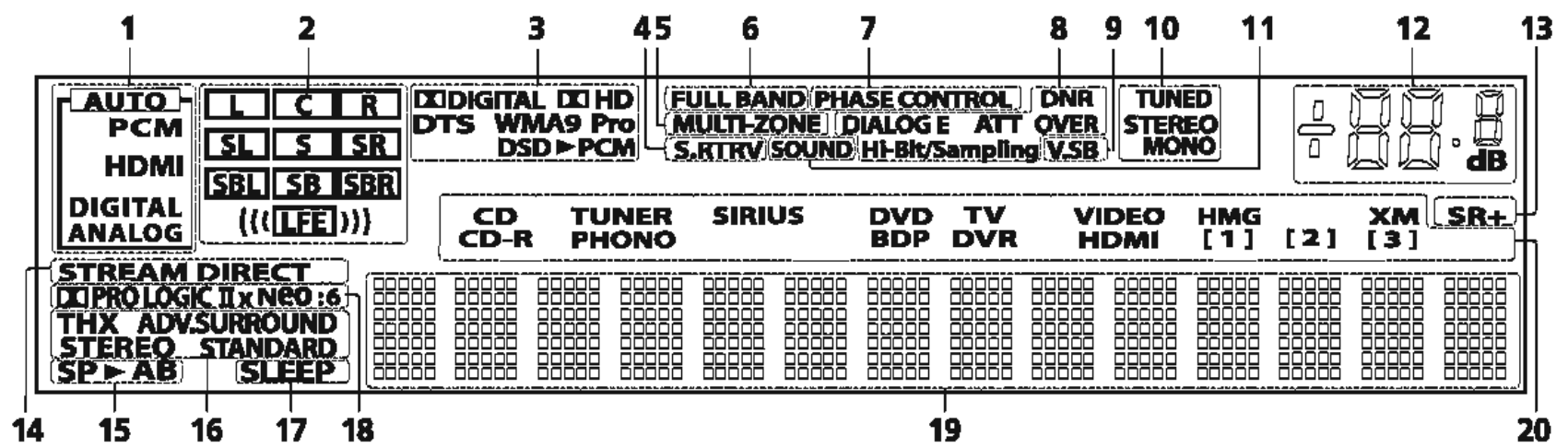
19 Multichannel analog audio inputs

7.1 channel inputs for connection to a DVD player with multichannel analog outputs.

20 Speaker terminals

Use for connection to the main front, center, surround and surround back speakers.

[3] Display



1 SIGNAL indicators

Light to indicate the currently selected input signal.
AUTO lights when the receiver is set to select the input signal automatically.

2 Program format indicators

These change according to which channels are active in digital sources.

L – Left front channel
C – Center channel
R – Right front channel
SL – Left surround channel
S – Surround channel (mono)
SR – Right surround channel
SBL – Left surround back channel
SB – Surround back channel (mono)
SBR – Right surround back channel
LFE – Low frequency effects channel (the ((())) indicators light when an LFE signal is being input)

3 Digital format indicators

Light when a signal encoded in the corresponding format is detected (**DSD > PCM** lights during DSD (Digital Stream Direct) to PCM conversion with SACDs).

4 S.RTRV

Lights when the Sound Retriever is switched on.

5 MULTI-ZONE

Lights when the MULTI-ZONE feature is active.

6 FULL BAND

Lights when the Full Band Phase Control is switched on.

7 PHASE CONTROL

Lights when the Phase Control or Full Band Phase Control is switched on.

8 Sound processing indicators

Light according to the active Audio parameter(s) and/or **ANALOG ATT.**

9 V.SB

Lights during Virtual surround back processing.

10 TUNER indicators

TUNED – Lights when a broadcast is being received.

STEREO – Lights when a stereo FM broadcast is being received in auto stereo mode.

MONO – Lights when the mono mode is set using **MPX**.

11 SOUND

Lights when any of the Midnight, Loudness or tone controls feature is selected.

12 Master volume level

Shows the overall volume level. **-80dB** indicates the minimum level, and **+12dB** indicates the maximum level.

13 SR+

Lights when the SR+ mode is switched on.

14 STREAM DIRECT

Lights when Direct/Pure Direct is selected.

15 Speaker indicators

Lights to indicate the current speaker system, **A** and/or **B**.

16 Listening mode indicators

THX – Lights when one of the Home THX modes is selected.

ADV.SURROUND – Lights when one of the Advanced Surround modes has been selected.

STEREO – Lights when stereo listening is switched on.

STANDARD – Lights when one of the Standard Surround modes is switched on.

17 SLEEP

Lights when the receiver is in sleep mode.

18 Matrix decoding format indicators

PRO LOGIC IIx – This lights to indicate **PRO** Pro Logic II / **IIx** Pro Logic IIx decoding.

Neo:6 – When one of the Neo:6 modes of the receiver is on, this lights to indicate Neo:6 processing.

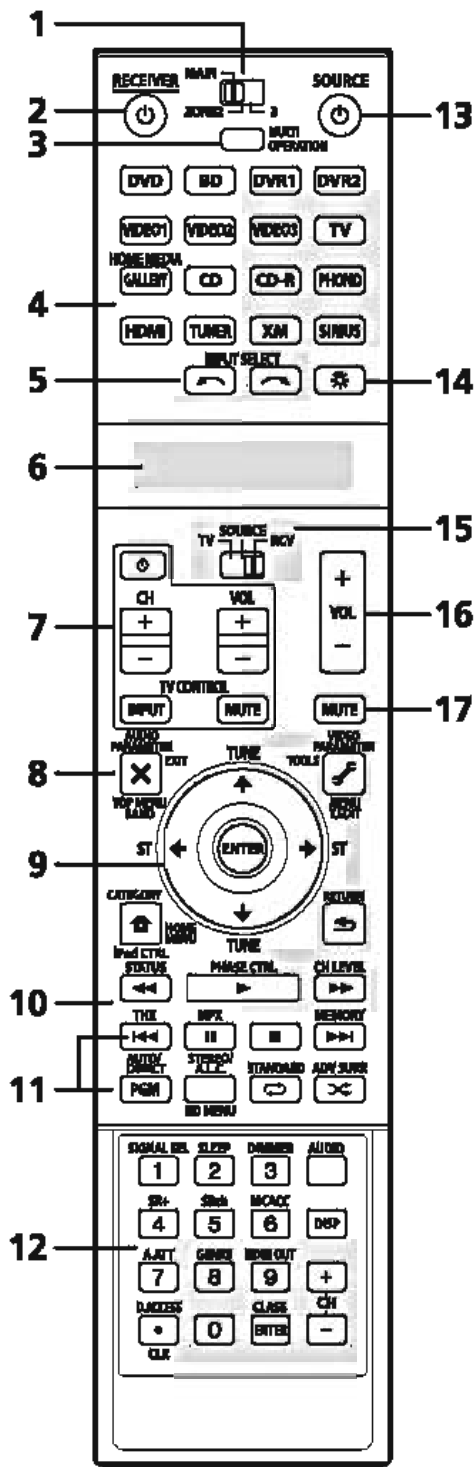
19 Character display

Displays various system information.

20 Input source indicators

Light to indicate the input source you have selected.

[4] Remote control



The remote has been conveniently color-coded according to component control using the following system:

- **White** – Receiver control, TV Control
- **Blue** – Other controls

1 MULTI-ZONE operation selector switch

Switch to perform operations in the main zone, zone 2 and zone 3.

2 RECEIVER

This switches between standby and on for this receiver.

3 MULTI OPERATION

Use this button to perform multi operations.

4 Input source buttons

Press to select control of other components.

5 INPUT SELECT

Use to select the input source.

6 Character display (LCD)

This display shows information when transmitting control signals.

The following commands are shown when you're setting the remote to control other components:

SETUP – Indicates the setup mode, from which you choose the options below.

PRESET –

LEARNING –

MULTI OP –

SYS OFF –

DIRECT F –

RENAME –


ERASE –

RESET –

READ ID –

7 TV CONTROL buttons

These buttons are dedicated to control the TV assigned to TV operation selector switch. Thus if you only have one TV to hook up to this system assign it to the TV operation selector switch.

 – Use to turn on/off the power of the TV.

VOL +/- – Use to adjust the volume on your TV.

INPUT – Use to select the TV input signal.

CH +/- – Use to select channels.

MUTE – Use to mute the sound or cancel the mute mode.

8 Tuner/component control buttons/HOME MENU

These button controls can be accessed after you have selected the corresponding input source button (**DVD**, **DVR 1**, **TV**, etc.).

Set the operation selector switch to **RCV** to access the following controls:

AUDIO PARAMETER – Use to access the Audio options.

VIDEO PARAMETER – Use to access the Video options.

HOME MENU – Use to access the HOME MENU.

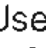



RETURN – Press to confirm and exit the current menu screen (also use to return to the previous menu with DVDs or to select closed captioning with DTV).

9 /// (TUNE/ST) /ENTER

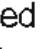
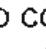
Use the arrow buttons when setting up your surround sound system and the Audio or Video

options. Also used to control DVD menus/

options and for deck 1 of a double cassette deck player.

Use **TUNE** / to find radio frequencies and use **ST** / to find preset stations.

10 Component control buttons

The main buttons (, , etc.) are used to control a component after you have selected it using the input source buttons.

The controls above these buttons can be accessed after you have selected the corresponding input source button (for example **DVD**, **DVR 1** or **TV**). These buttons also function as described below.

Press **TUNER** first to access:

MPX – Switches between stereo and mono reception of FM broadcasts. If the signal is weak, then

switching to mono will improve the sound quality.

NOISE CUT MODE 1 to 2 can be selected when receiving AM broadcasts.

Set the operation selector switch to **RCV** first to access:

- STATUS** – Press to check selected receiver settings.
- PHASE CTRL** – Press to switch on/off Phase Control or Full Band Phase Control.
- CH LEVEL** – Press repeatedly to select a channel, then use **←/→** to adjust the level.

11 Receiver controls

- AUTO/DIRECT** – Press to select Auto Surround or Stream Direct listening.
- STEREO/A.L.C.** – Switches between the stereo playback mode and the Front Stage Surround Advance mode.
- STANDARD** – Press for Standard decoding and to switch between the various **Dolby** Pro Logic IIx and Neo:6 options.
- ADV SURR** – Use to switch between the various surround modes.
- THX** – Press to select a Home THX listening mode.

12 Number buttons and other receiver/component controls

Use the number buttons to directly select a radio frequency or the tracks on a CD, DVD, etc.

ENTER can be used to enter commands for TV or DTV. After set the remote control operation switch to **RCV**:

- SIGNAL SEL** – Use to select an input signal.
- SLEEP** – Use to put the receiver in sleep mode and select the amount of time before sleep.
- DIMMER** – Dims or brightens the display.
- SR+** – Switches the SR+ mode on/off.
- SBch** – Use to select the surround/virtual back channel mode.
- MCACC** – Press to switch between MCACC presets.
- A.ATT** – Attenuates (lowers) the level of an analog input signal to prevent distortion.
- GENRE** – Automatically selects the most appropriate Advanced Surround mode for the genre of the source currently being played back (this feature is available only when a Pioneer DVD recorder supporting HDMI Control is connected to this receiver via HDMI).
- SC-07 only: **HDMI OUT** – Switch the HDMI output terminal.

Press **TUNER** first to access:

- D.ACCESS** – After pressing, you can access a radio station directly using the number buttons.
- CLASS** – Switches between the three banks (classes) of radio station presets.

13 SOURCE

Press to turn on/off other components connected to the receiver.

14 Remote control illumination button

Press to turn on/off the illumination of some of the buttons and the LCD light.

15 Remote control operation selector switch

Set to **RCV** to operate the receiver, **TV** or **SOURCE** to operate the TV or the source device.

When this switch is set to **RCV**, the receiver can be controlled (used to select the white commands above the number buttons (**A.ATT**, etc.)). Also use this switch to set up surround sound.

16 VOL +/-

Use to set the listening volume.

17 MUTE

Mutes the sound or restores the sound if it has been muted (adjusting the volume also restores the sound).

3. BASIC ITEMS FOR SERVICE

3.1 CHECK POINTS AFTER SERVICING

To keep the product quality after servicing, confirm recommended check points shown below.

No.	Procedures	Item to be checked
1	Confirm whether the customer complain has been solved. If the customer complain occurs with the particular source, such as Dolby Digital, DTS, AAC, DVD-A and HDMI, input it for the operation check.	The customer complain must not be reappeared. Video, Audio and operations must be normal.
2	Check the analog audio playback. (Make the analog connections with a DVD player.)	Each channel audio and operations must be normal.
3	Check the digital audio playback. (Make the digital connections with a DVD player.)	Each channel audio and operations must be normal.
4	Check surround playback. (Select Surround mode and check the multichannel operations via the DSP circuit.)	Each channel audio and operations must be normal.
5	Check the video outputs. (Connect with a DVD player.)	Video and operations must be normal.
6	Check the sound from headphone output.	Sound must be normal, without noise.
7	Check the appearance of the product.	No scratches or dirt on its appearance after receiving it for service.

See the table below for the items to be checked regarding video and audio:

Items to be checked regarding video	Item to be checked regarding audio
Block noise	Distortion
Horizontal noise	Noise
Dot noise	Volume too low
Disturbed image (video jumpiness)	Volume too high
Too dark	Volume fluctuating
Too bright	Sound interrupted
Mottled color	

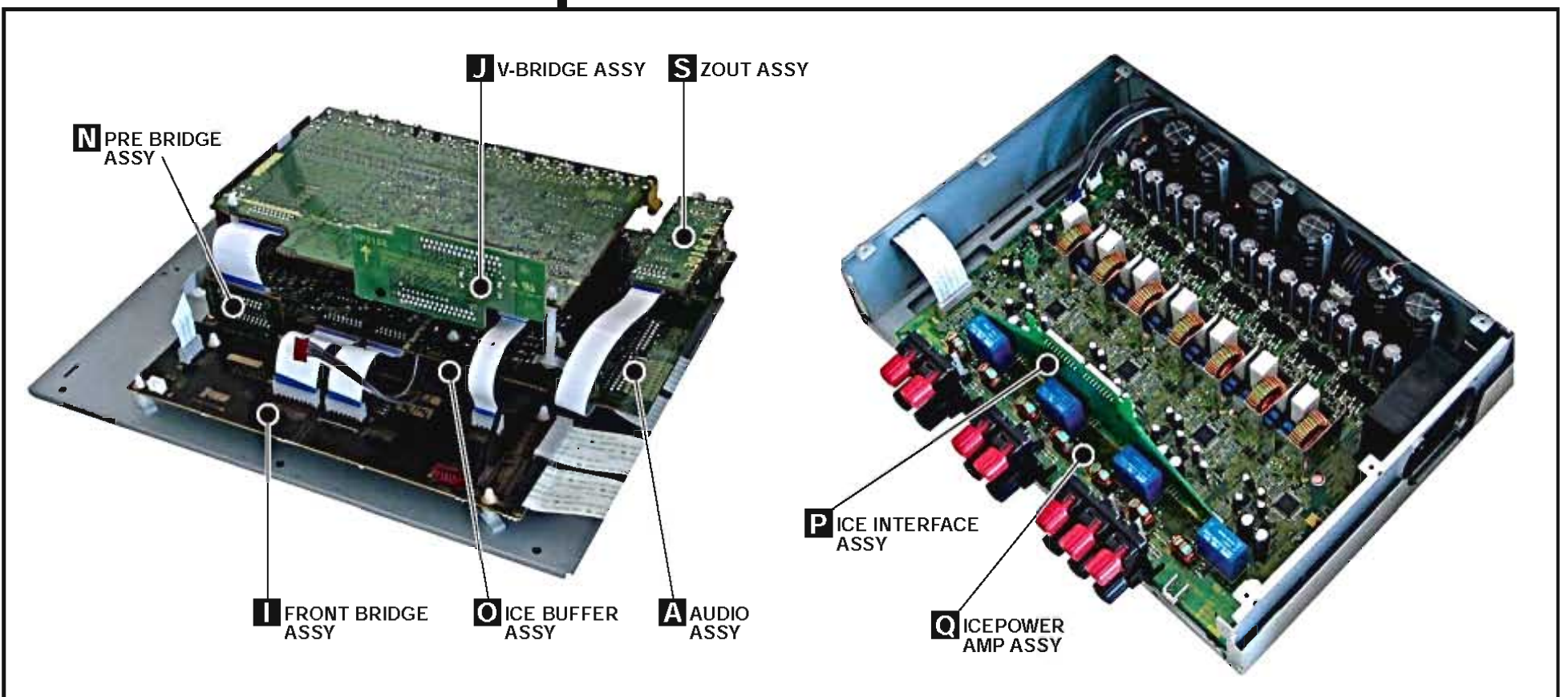
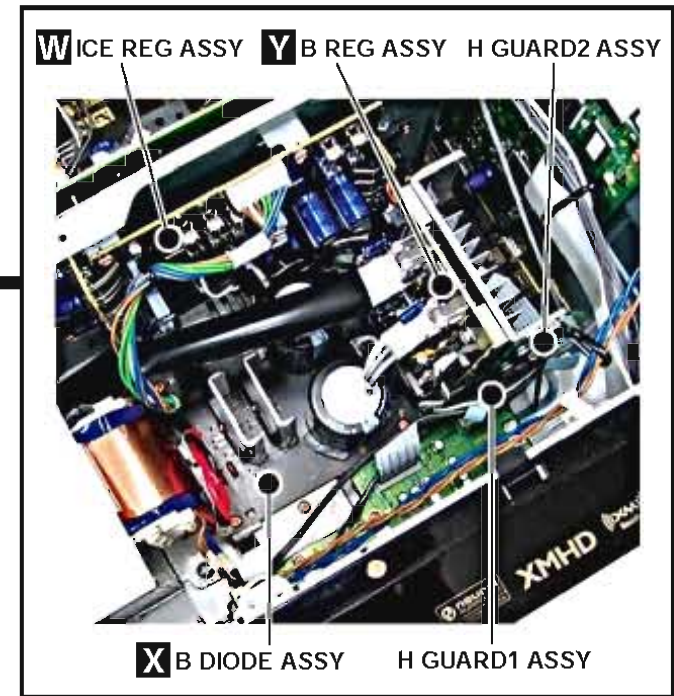
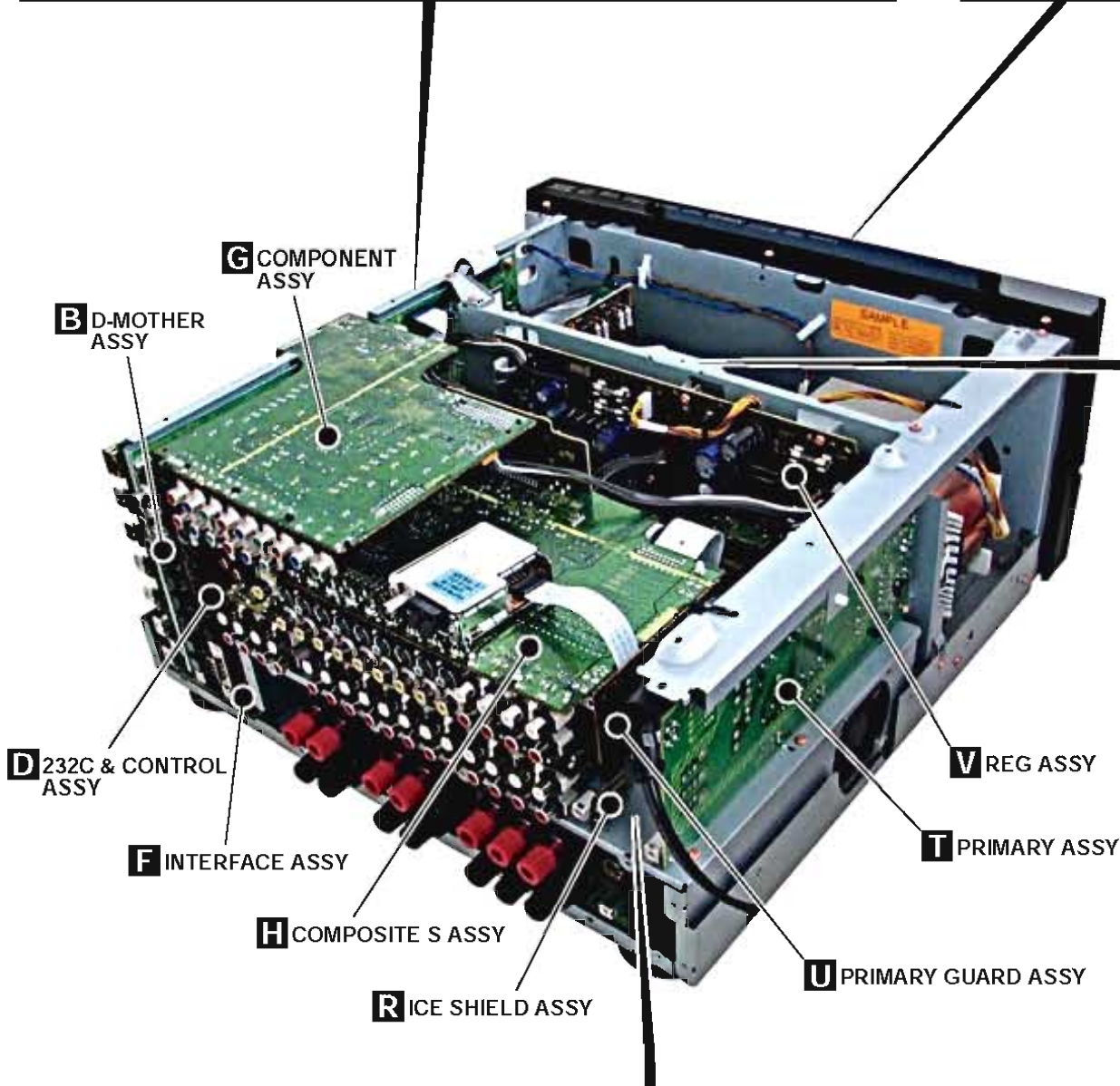
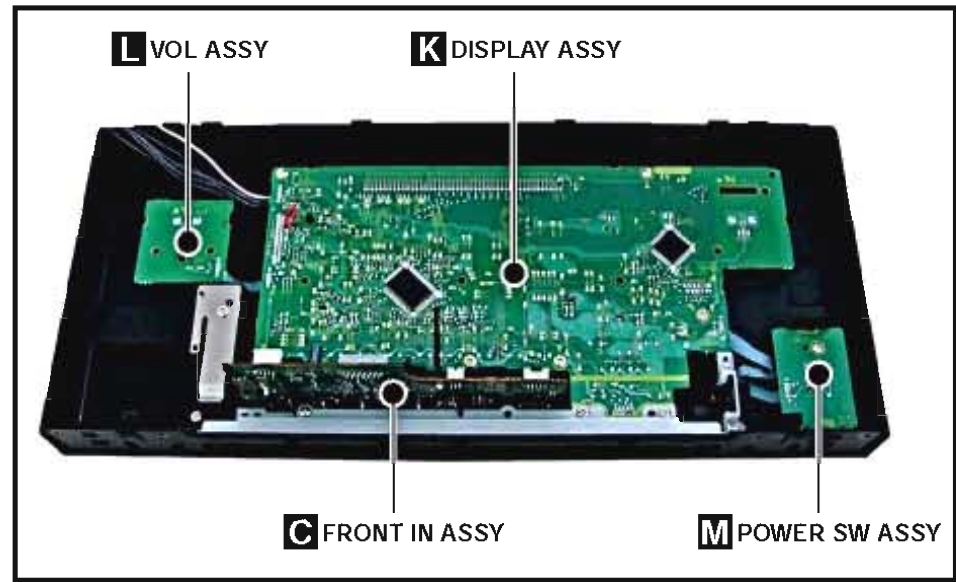
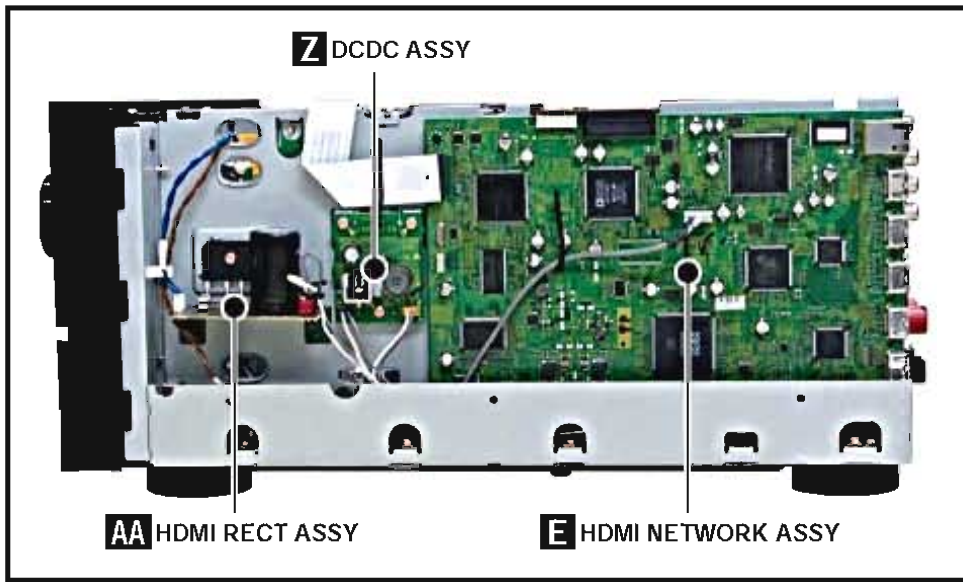
● Cleaning the Fan



Before shipment, be sure to clean the fan, using the following cleaning materials:

Cleaning paper : GED-008

3.2 PCB LOCATIONS



NOTES: ● Parts marked by "NSP" are generally unavailable because they are not in our Master Spare Parts List.
 ● The Δ mark found on some component parts indicates the importance of the safety factor of the part.
 Therefore, when replacing, be sure to use parts of identical designation.

◆ LIST OF ASSEMBLIES

Mark	Symbol and Description	SC-07/KUXJ /CA	SC-05/KUXJ /CA
	1..ICEPOWER AMP ASSY	AWH7015	AWH7015
NSP	1..COMPOSITE ICE ASSY	AWM8106	AWM8106
	2..COMPOSITE S ASSY	AWX9144	AWX9144
	2..ICE BUFFER ASSY	AWX9145	AWX9145
	2..PRE BRIDGE ASSY	AWX9146	AWX9146
	2..ICE SHIELD ASSY	AWX9173	AWX9173
NSP	1..PRIM DISPLAY ASSY	AWM8119	AWM8128
	2..PRIMARY ASSY	AWX9154	AWX9154
	2..HDMI RECT ASSY	AWX9156	AWX9156
	2..DISPLAY ASSY	AWX9158	AWX9238
	2..VOL ASSY	AWX9159	AWX9159
	2..POWER SW ASSY	AWX9160	AWX9160
	2..V-BRIDGE ASSY	AWX9161	AWX9161
NSP	1..DIGITAL MOTHER ASSY	AWP7057	AWP7063
	2..D-MOTHER ASSY	AWX9136	AWX9201
	2..ICE INTERFACE ASSY	AWX9137	AWX9137
	2..DCDC ASSY	AWX9138	AWX9138
	2..H GUARD2 ASSY	AWX9147	AWX9147
	2..H GUARD1 ASSY	AWX9174	AWX9174
NSP	1..COMPONENT FIN ASSY	AWQ7058	AWQ7061
	2..COMPONENT ASSY	AWX9141	AWX9211
	2..FRONT IN ASSY	AWX9142	AWX9142
	2..ZOUT ASSY	AWX9143	AWX9143
NSP	1..INTERFACE REG ASSY	AWR7067	AWR7067
	2..INTERFACE ASSY	AWX9148	AWX9148
	2..ICE REG ASSY	AWX9149	AWX9149
	2..B REG ASSY	AWX9150	AWX9150
	2..B DIODE ASSY	AWX9171	AWX9171
NSP	1..FBRIDGE REG ASSY	AWR7068	AWR7068
	2..REG ASSY	AWX9152	AWX9152
	2..FRONT BRIDGE ASSY	AWX9155	AWX9155
NSP	1..AUDIO ASSY	AWR7070	AWR7070
	2..AUDIO ASSY	AWX9139	AWX9139
	2..232C & CONTROL ASSY	AWX9140	AWX9140
	2..PRIMARY GUARD ASSY	AWX9172	AWX9172
	1..HDMI/NETWORK ASSY	AWX9135	AWX9190

3.3 JIGS LIST

[1] Jigs List

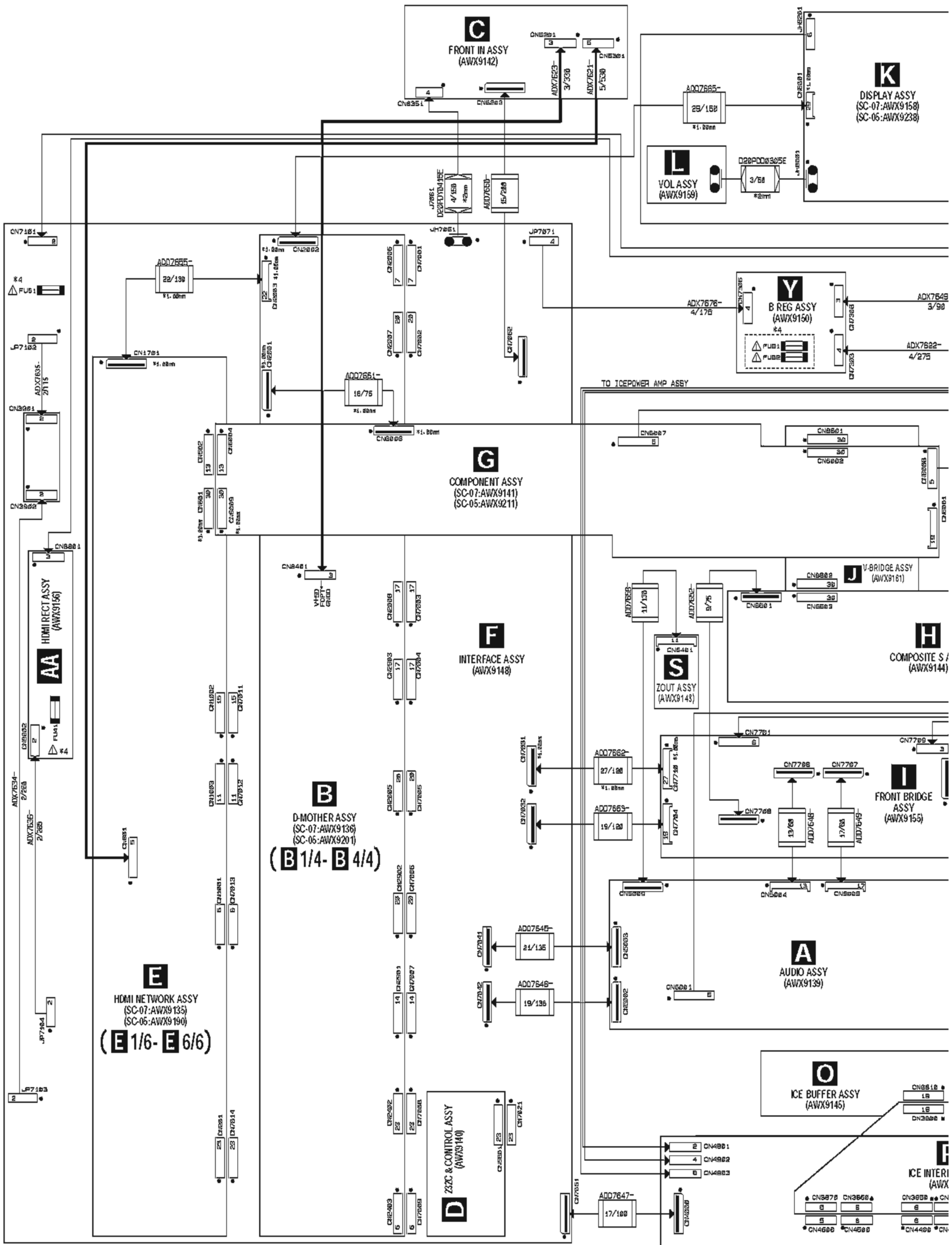
Name	Jig No.	Remarks
27P FFC	GGD1588	Diagnosis
19P FFC	GGD1589	Diagnosis
21P FFC	GGD1590	Diagnosis
16P FFC	GGD1591	Diagnosis
30p+13p board to board extension cable	GGD1592	Diagnosis
17p+19p board to board extension cable	GGD1593	Diagnosis
5p extension cable	GGD1594	Diagnosis

[2] Lubricants and Glues List

Name	Lubricants and Glues No.	Remarks
Lubricating Oil	GYA1001	Refer to "9.5 FRONT PANEL SECTION"
Silicone Grease	GEM1057	Refer to "9.3 CHASSIS SECTION"

4. BLOCK DIAGRAM



4.1 OVERALL WIRING DIAGRAM

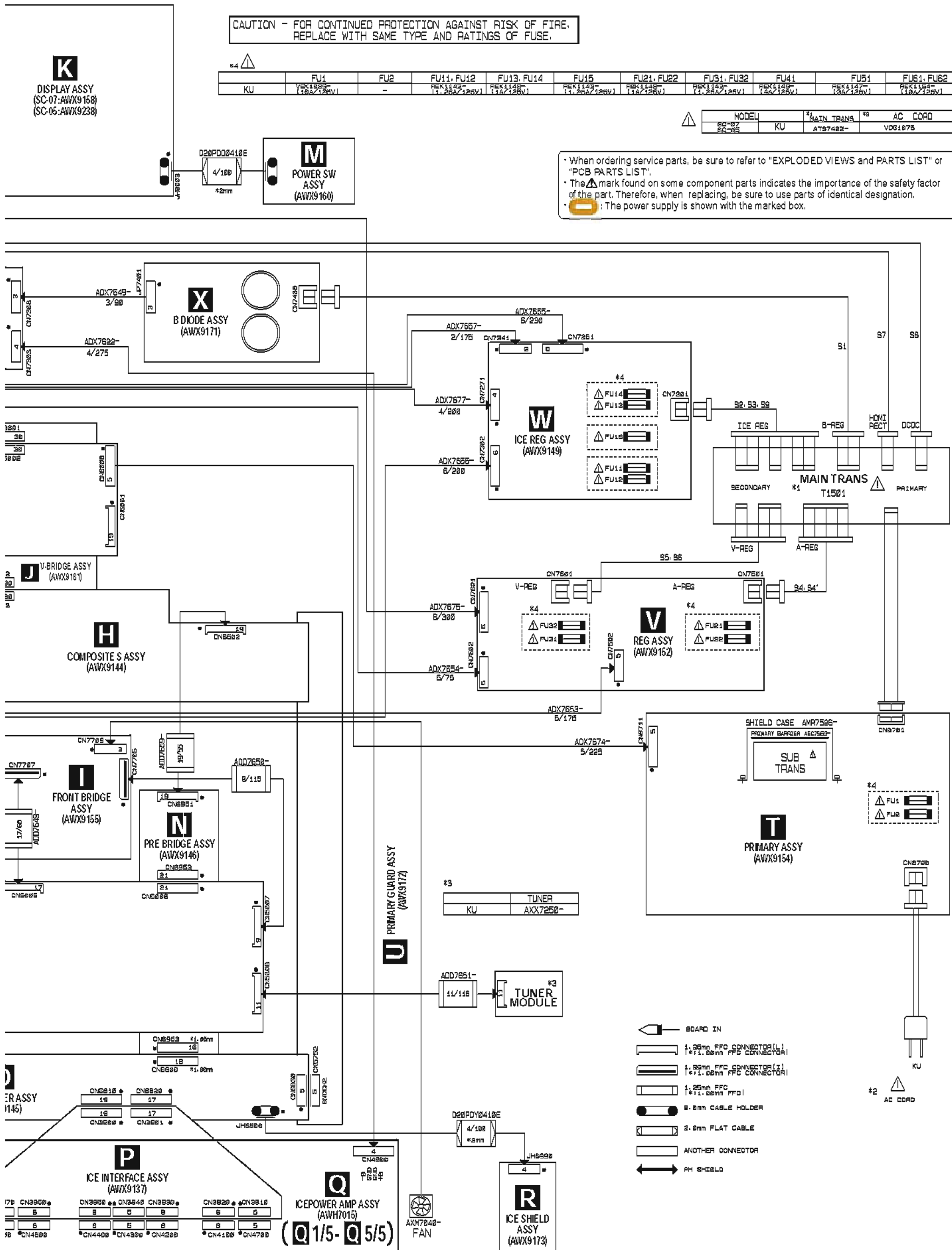





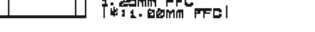




CAUTION - FOR CONTINUED PROTECTION AGAINST RISK OF FIRE, REPLACE WITH SAME TYPE AND RATINGS OF FUSE.

FUSE	RATINGS
FU1	YER1025 (1.0A/125V)
FU2	-
FU11, FU12	REK1143 (1.25A/125V)
FU13, FU14	REK1148 (1.6A/125V)
FU15	REK1149 (1.25A/125V)
FU21, FU22	REK1148 (1.6A/125V)
FU31, FU32	REK1143 (1.25A/125V)
FU41	REK1149 (1.25A/125V)
FU51	REK1147 (1.0A/125V)
FU61, FU62	REK1154 (1.0A/125V)

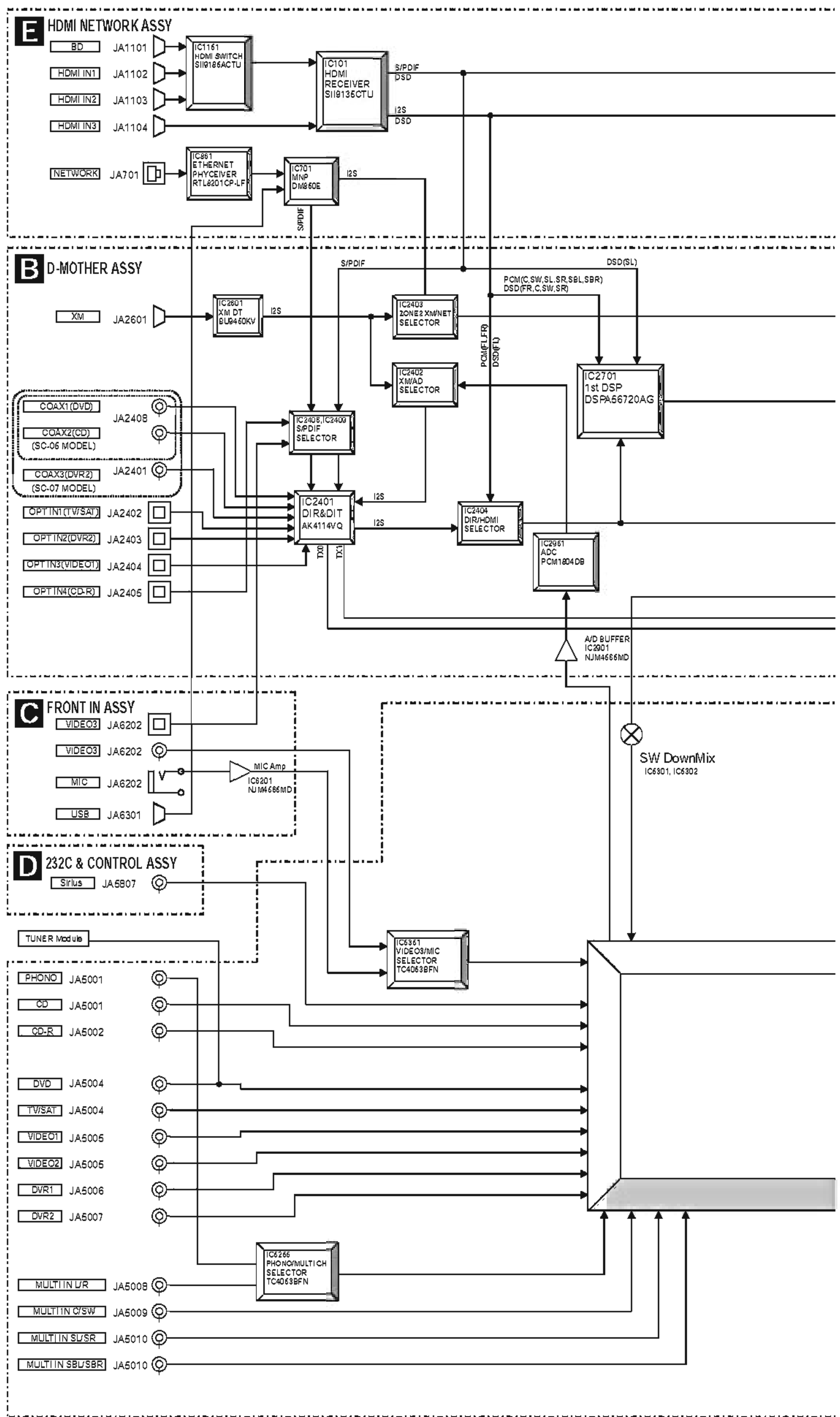
MODEL	#1 MAIN TRANS	#2 AC CORD
SC-07 SC-05	KU ATS7422-	V061075

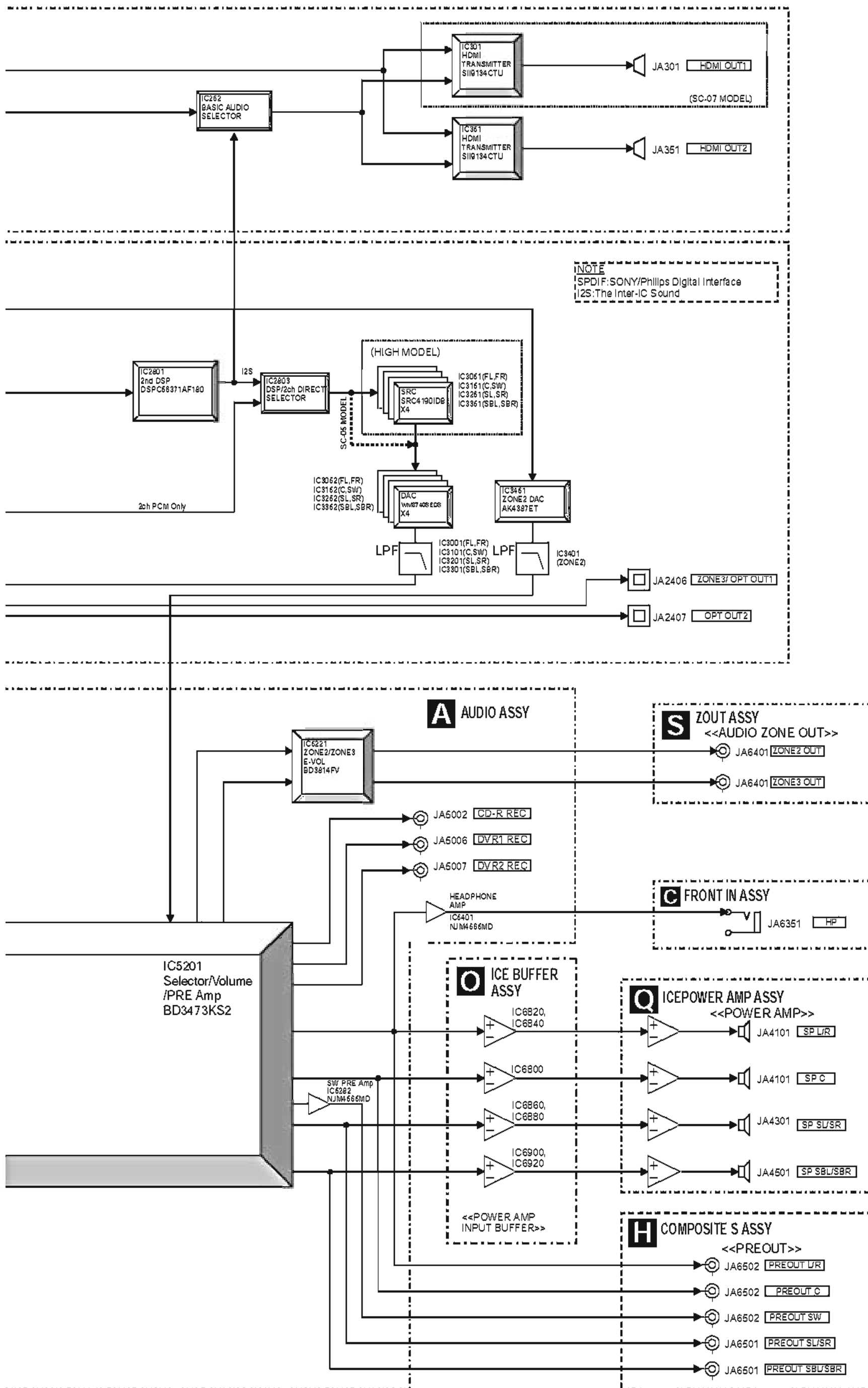
When ordering service parts, be sure to refer to "EXPLODED VIEWS and PARTS LIST" or "PCB PARTS LIST".
 The  mark found on some component parts indicates the importance of the safety factor of the part. Therefore, when replacing, be sure to use parts of identical designation.
 : The power supply is shown with the marked box.



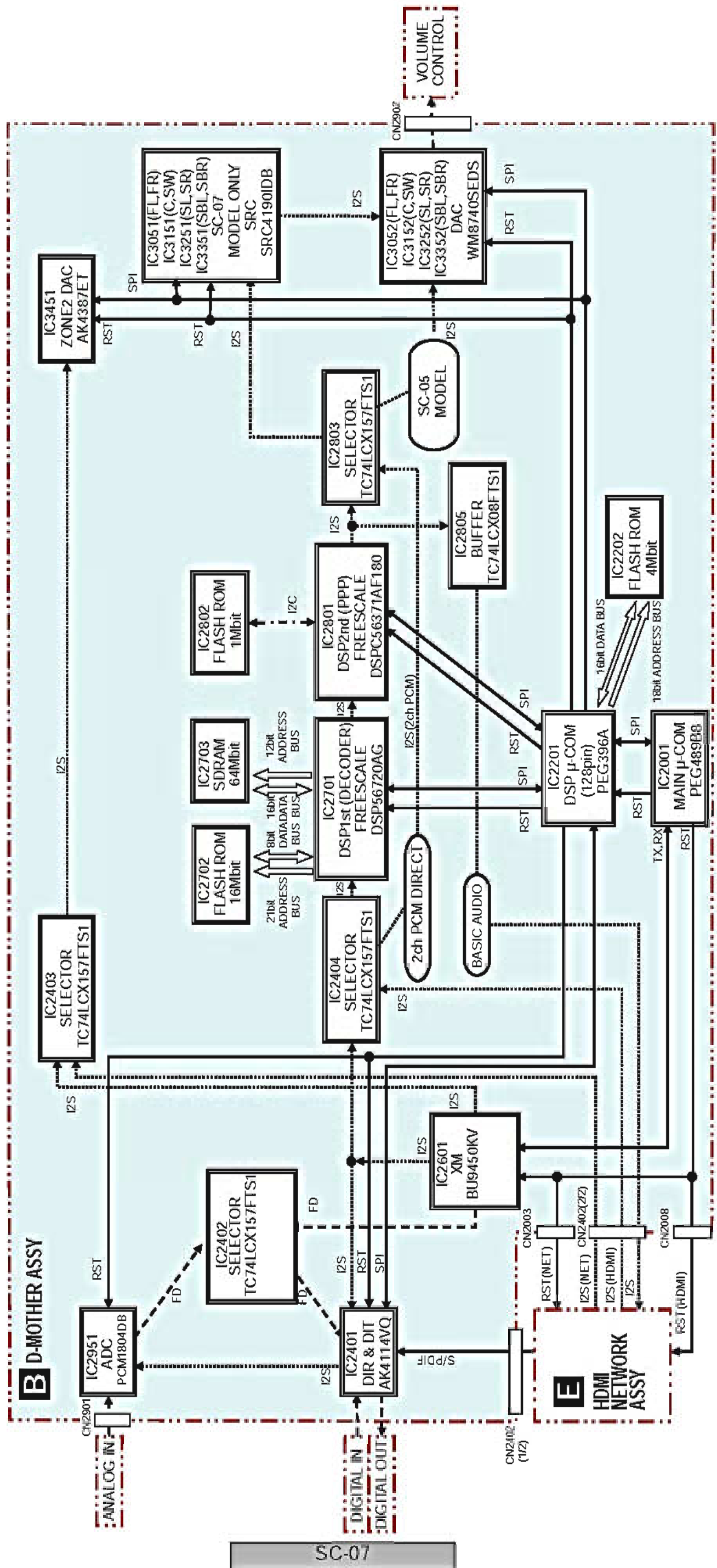
-  BOARD IN
-  1.25mm FFC CONNECTOR (L) / *1.00mm FFC CONNECTOR
-  1.25mm FFC CONNECTOR (R) / *1.00mm FFC CONNECTOR
-  1.25mm FFC / *1.00mm FFC
-  8.0mm CABLE HOLDER
-  2.0mm FLAT CABLE
-  ANOTHER CONNECTOR
-  PH SHIELD

4.2 AUDIO BLOCK DIAGRAM

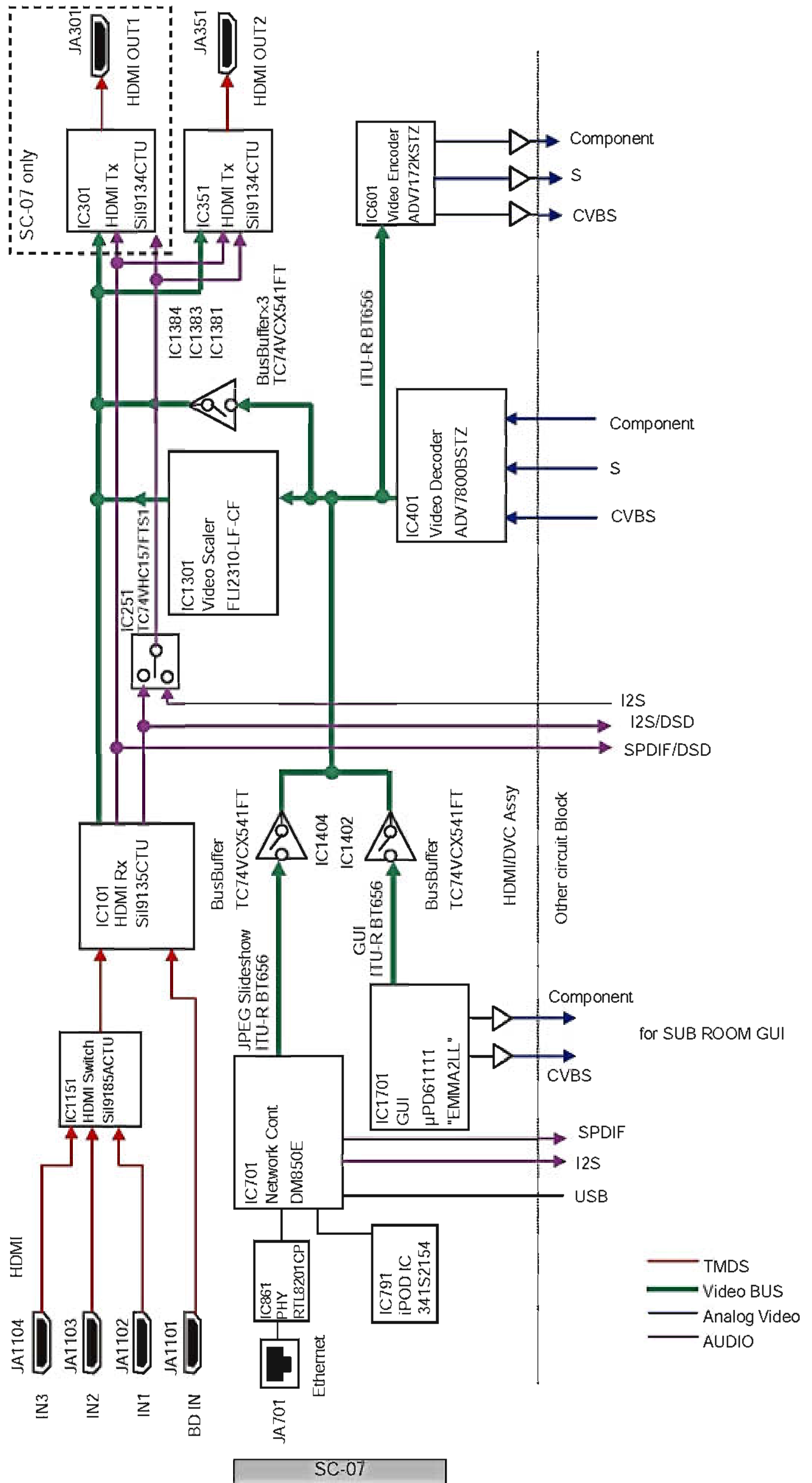




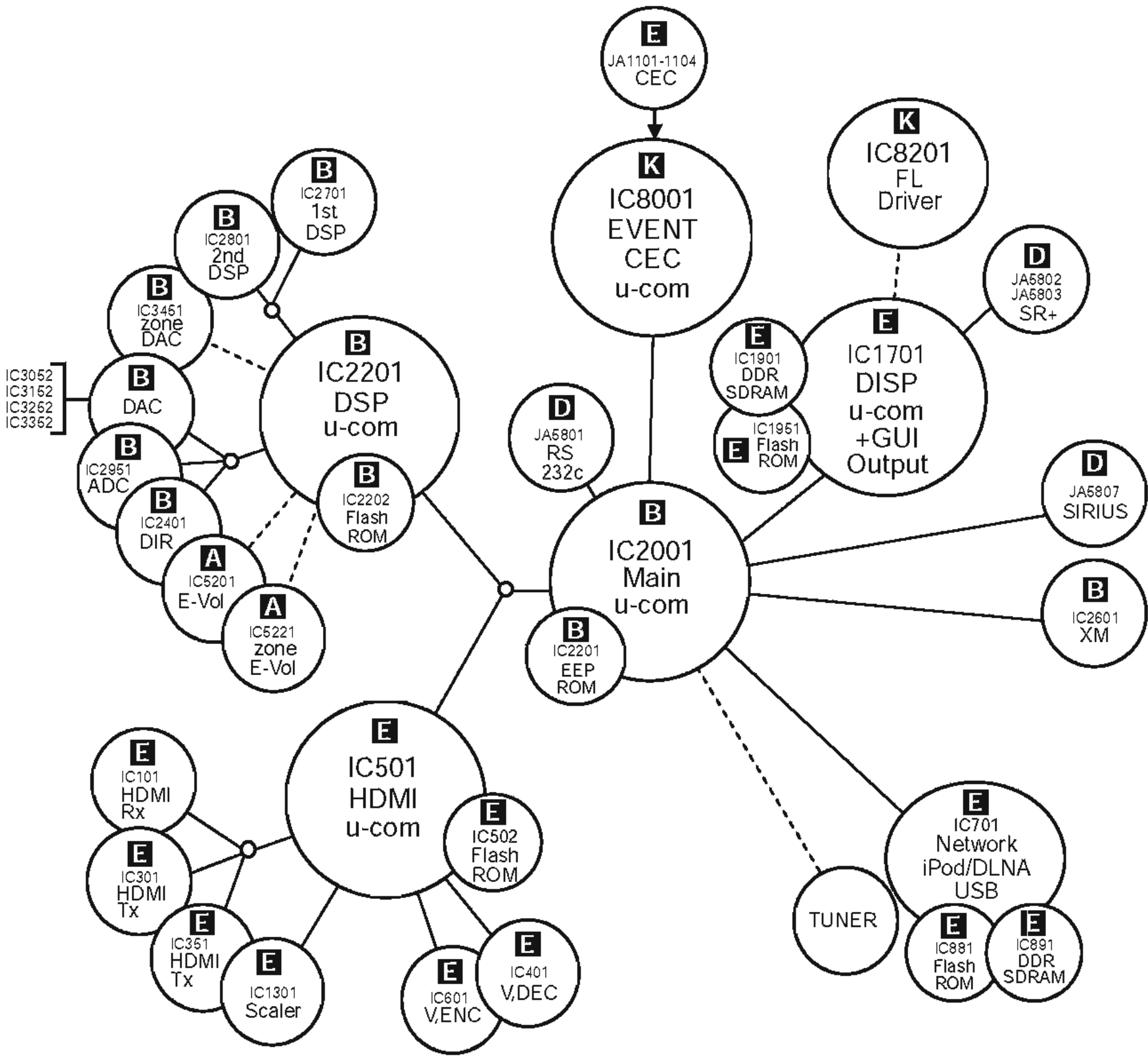
4.3 DSP BLOCK DIAGRAM



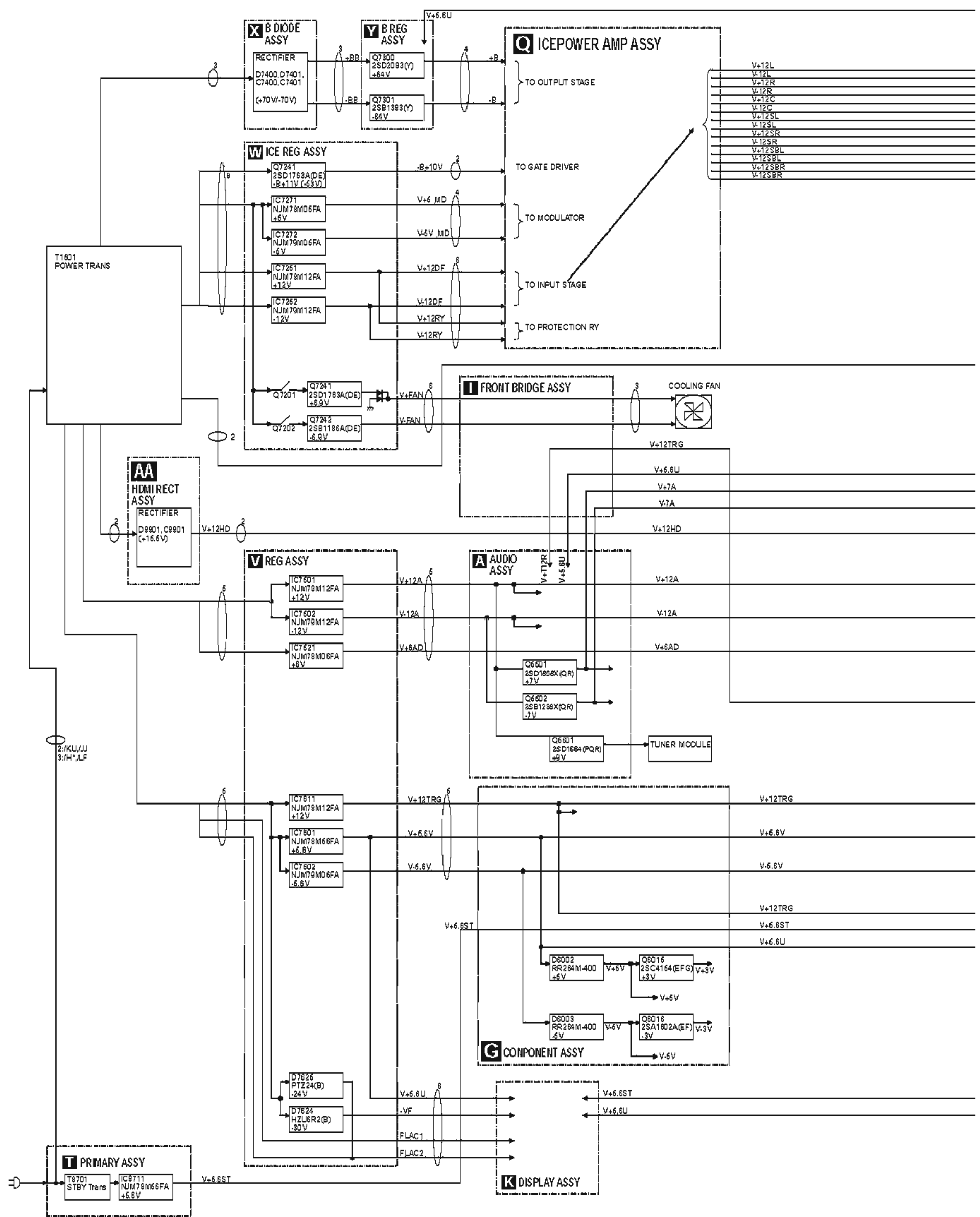
4.4 HDMI NETWORK BLOCK DIAGRAM

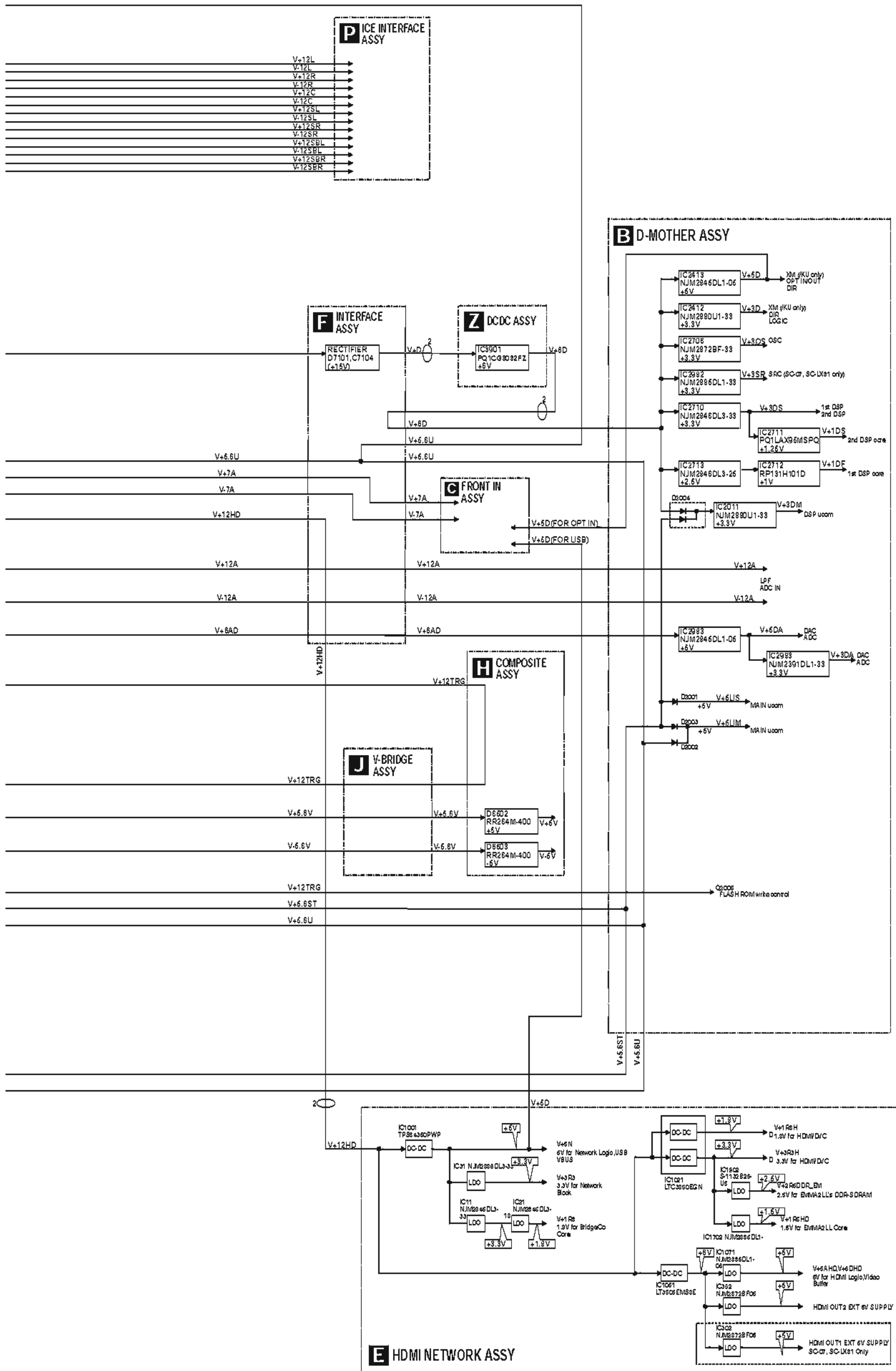


4.5 MICROCOMPUTER BLOCK DIAGRAM



4.6 POWER BLOCK DIAGRAM

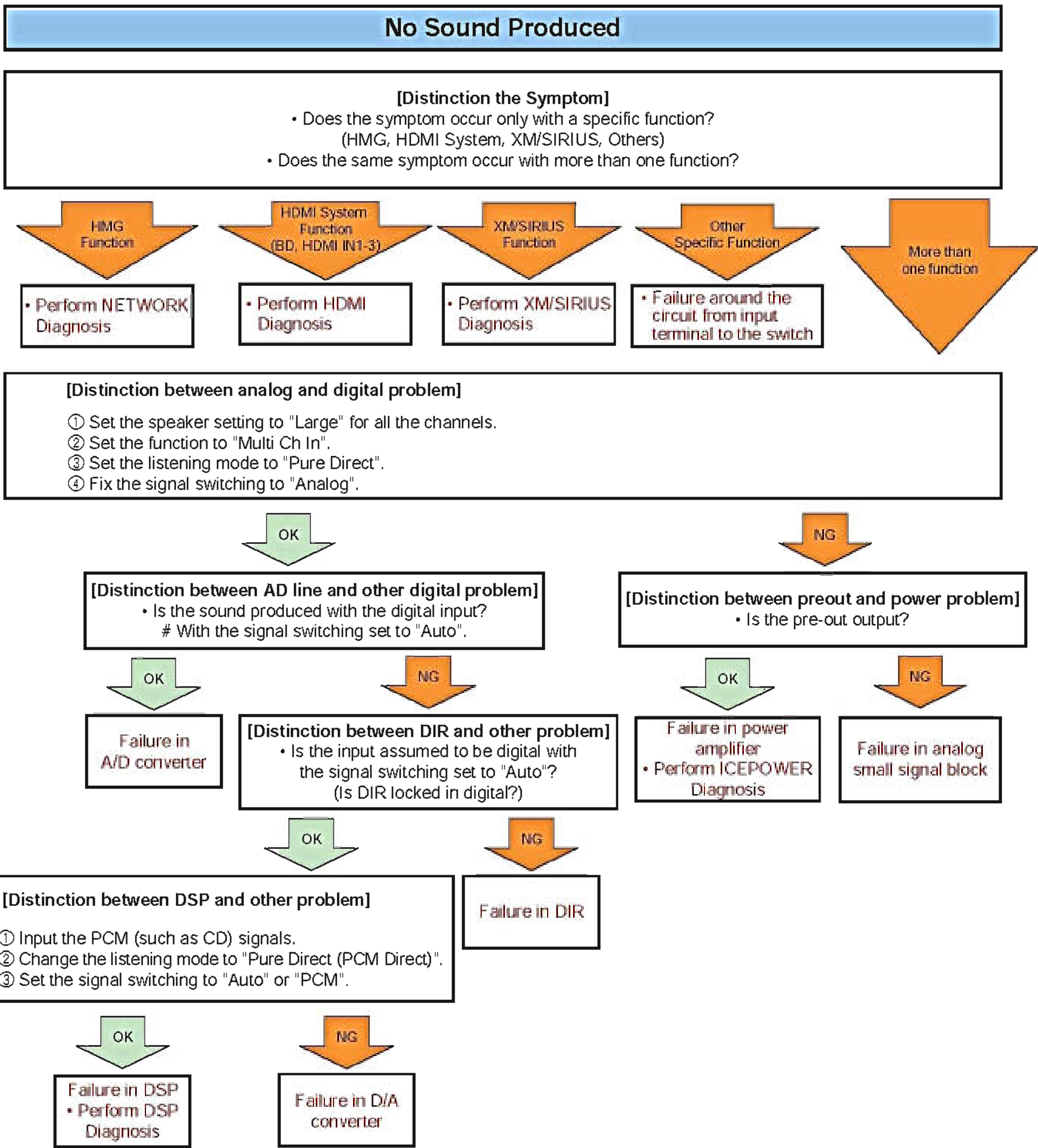




5. DIAGNOSIS

5.1 DIAGNOSIS FLOWCHART

[1] Audio Section Troubleshooting



[2] DSP Troubleshooting

1) Simplified diagnosis

DSP block malfunction is detected.

(The part can be roughly expected just by operation of the main unit.)

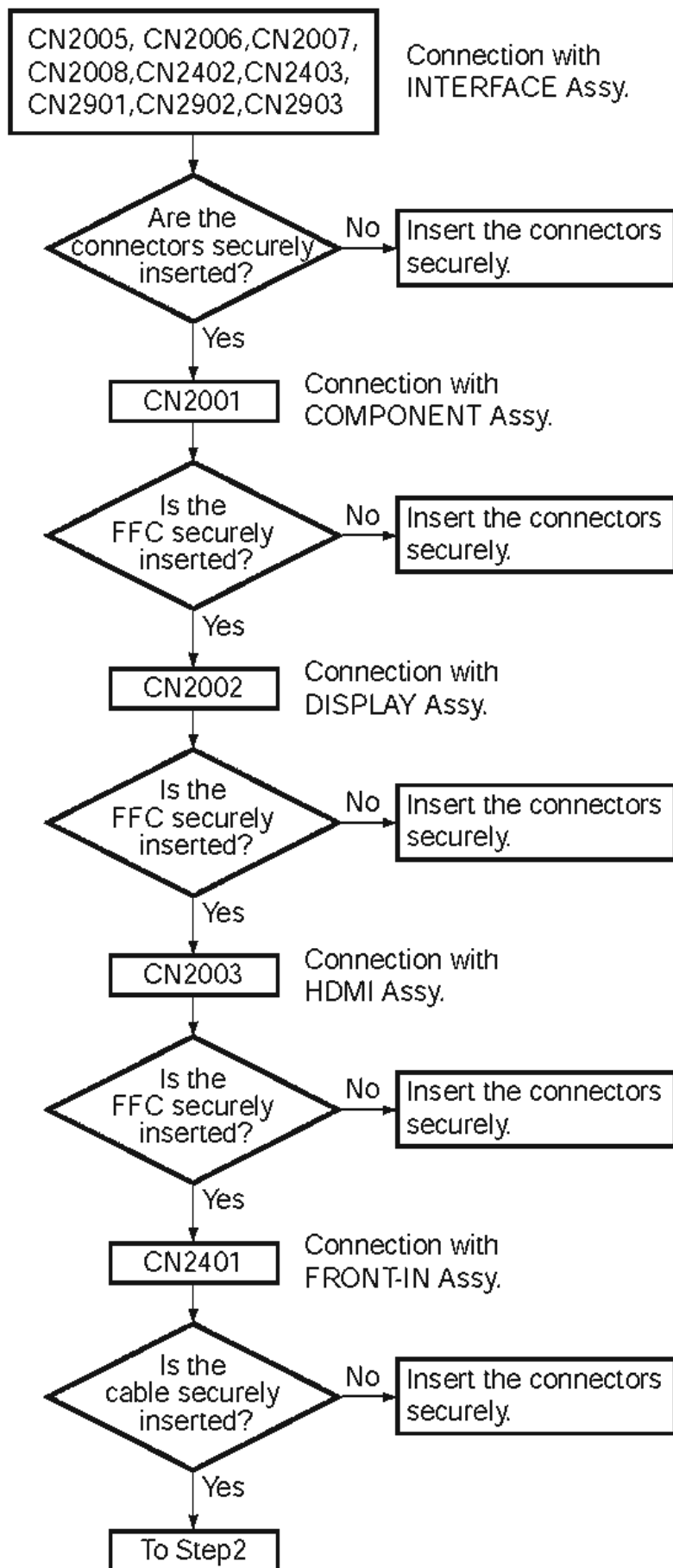
- Has DSP block caused the malfunction?

Inputting a 2ch PCM (such as CD) digital signal, check if the sound plays by switching AUTO SURR / STREAM DIRECT. When the sound doesn't play in AUTO SURROUND or DIRECT MODE though it does in PURE DIRECT (PCM DIRECT) MODE, DSP block might be defective.

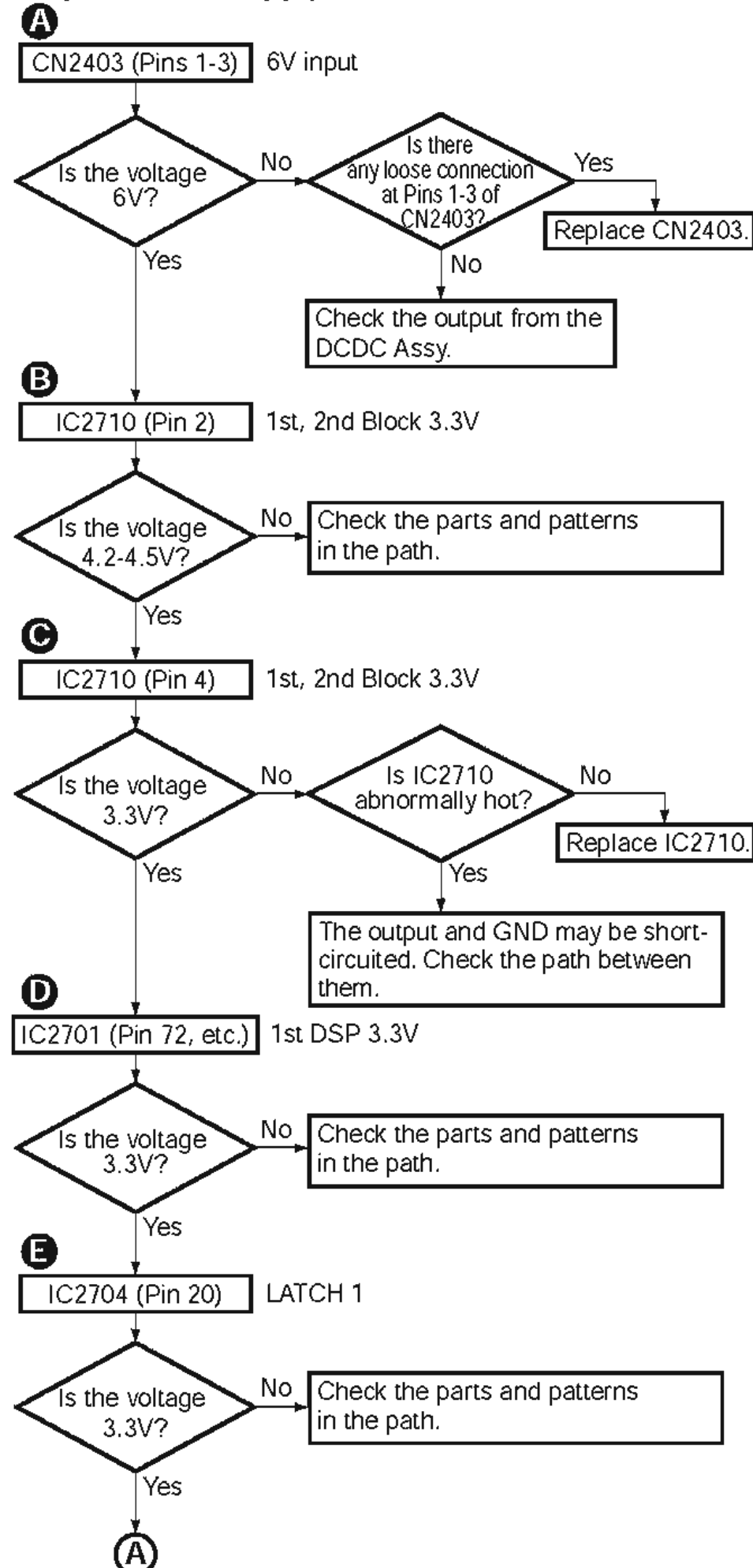
2) Troubleshooting

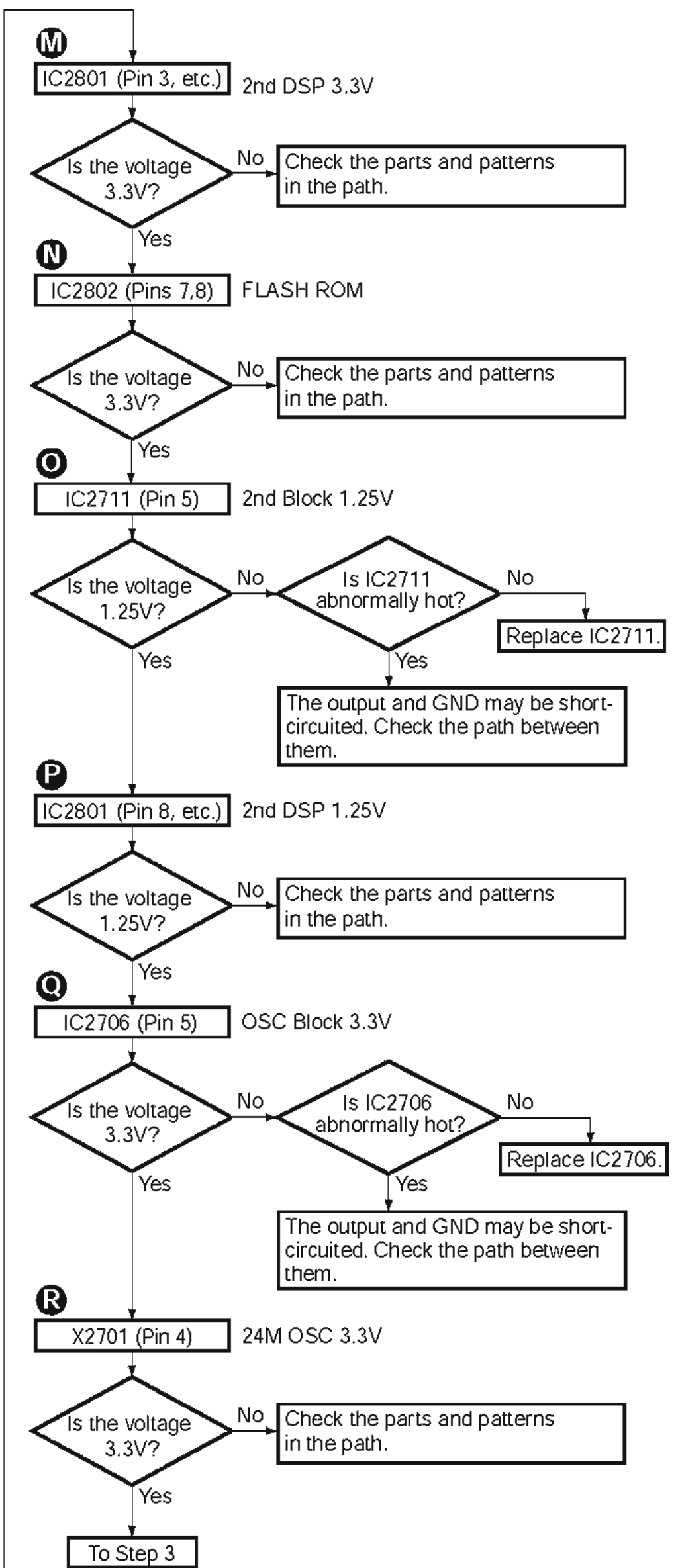
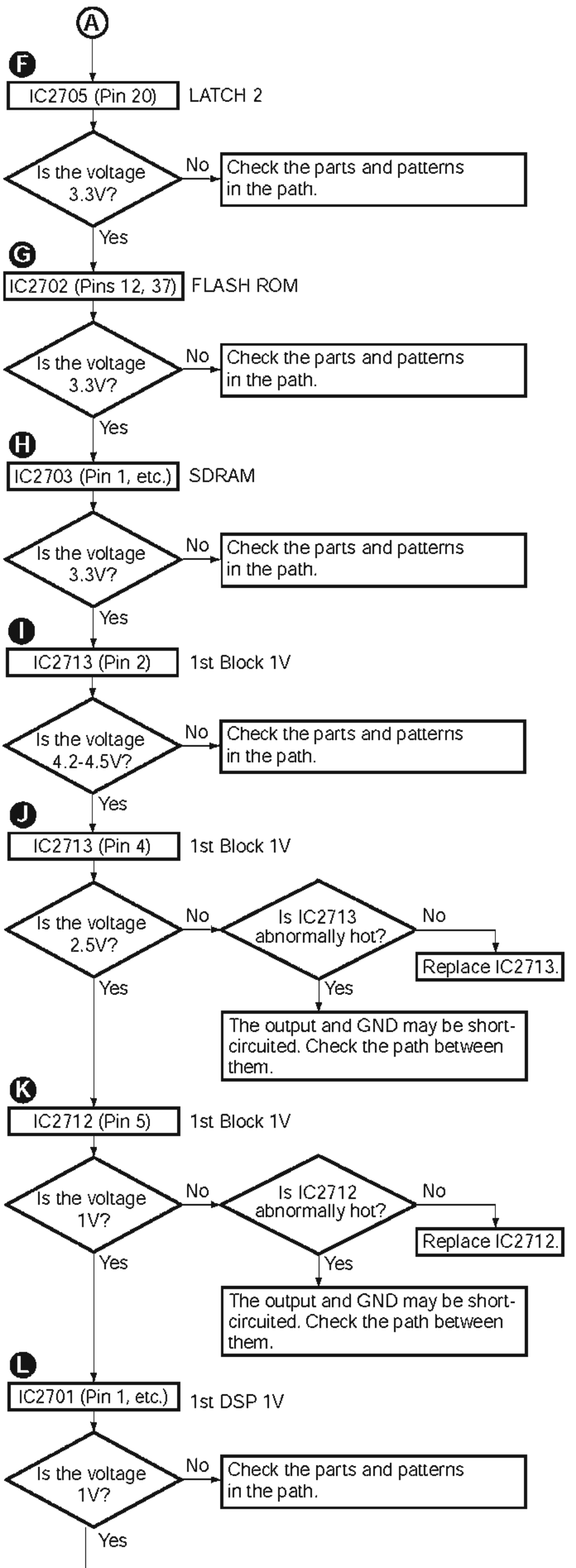
- It is assumed that there is no loose connection or damage in the LCRs.
- Refer to "DIGITAL MOTHER Assy Check Points (DSP Section)" as the parts marked **A** to **AY** in the troubleshooting are located.

Step 1: Connections

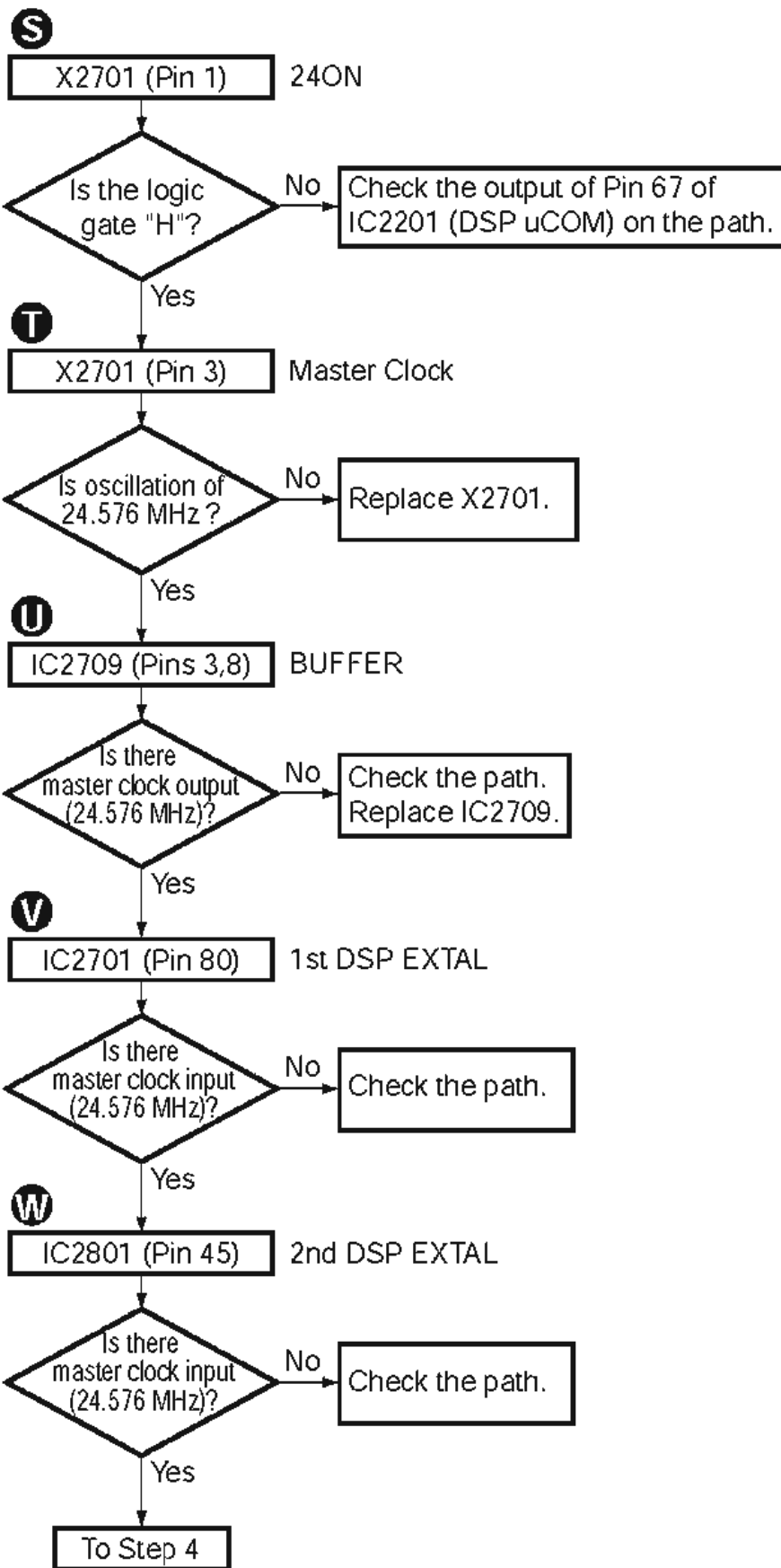


Step 2: Power supply

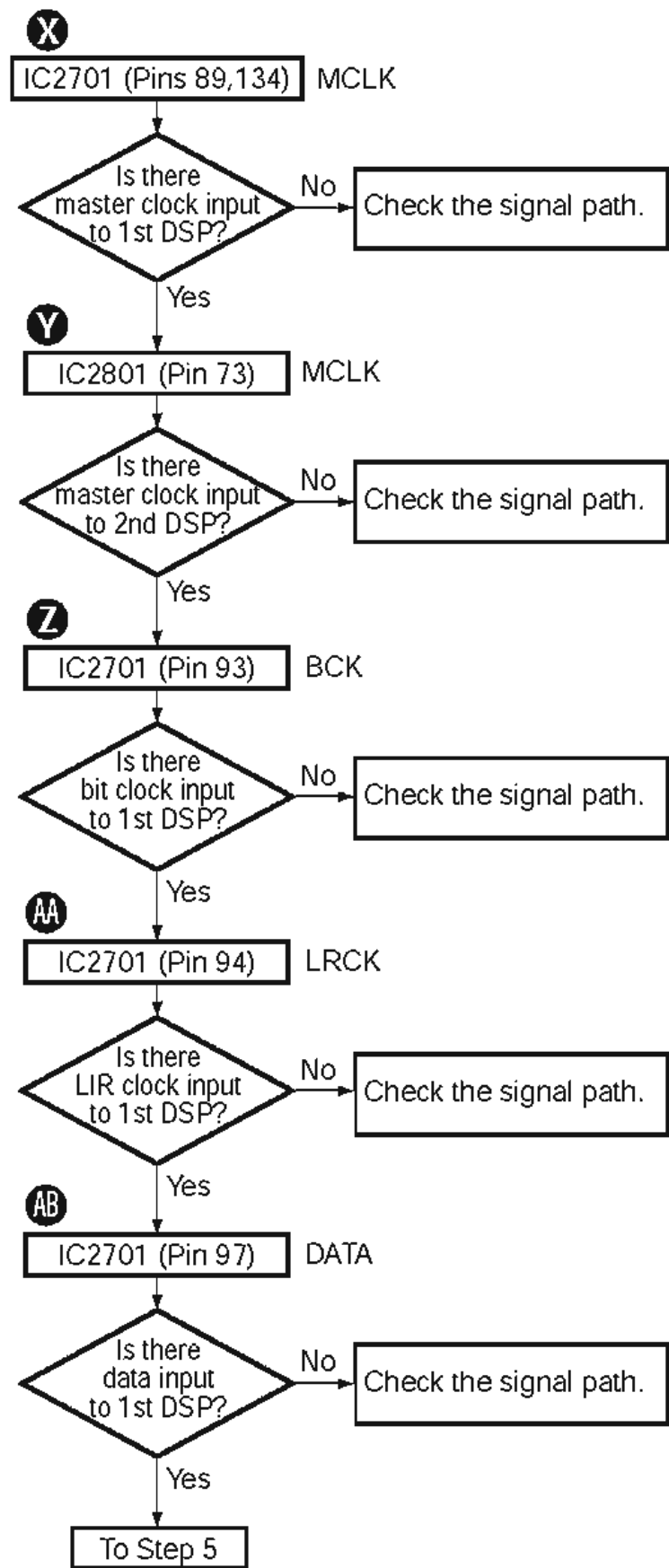




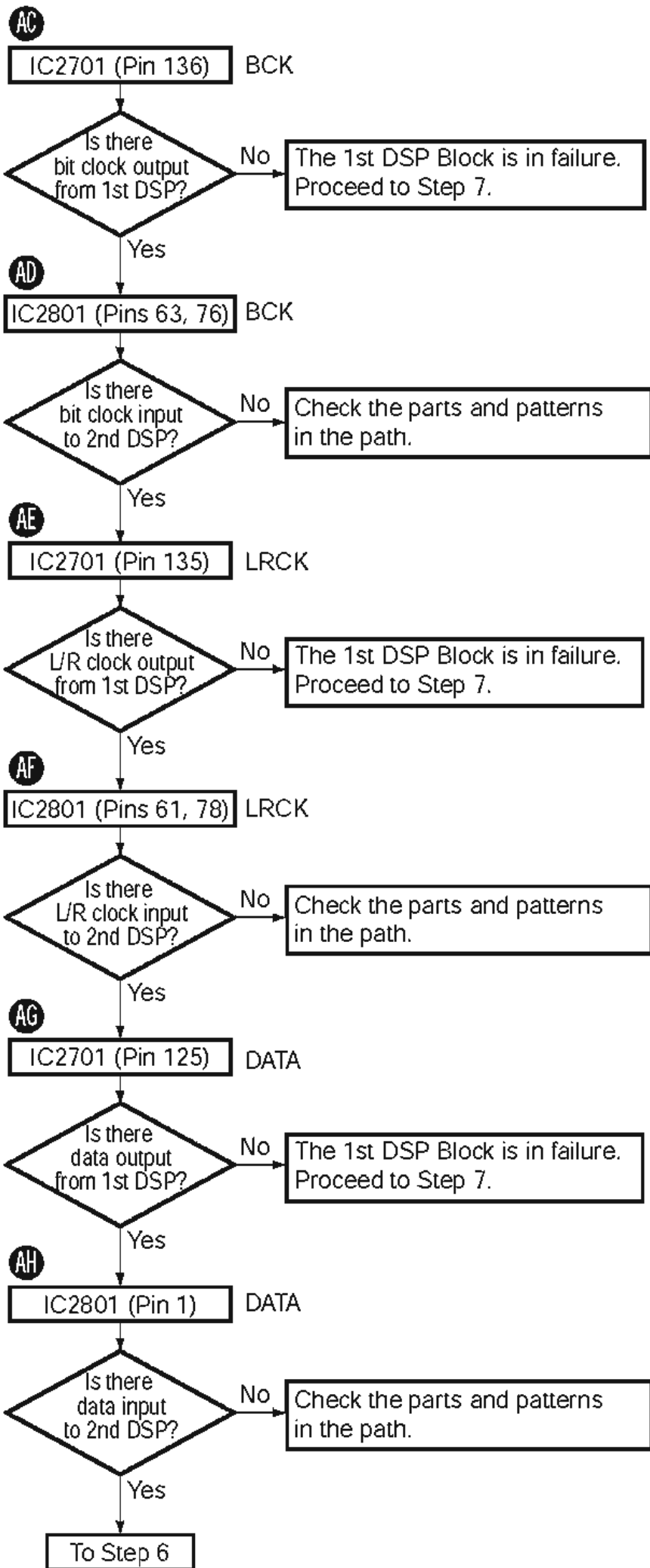
Step 3: Master Clock



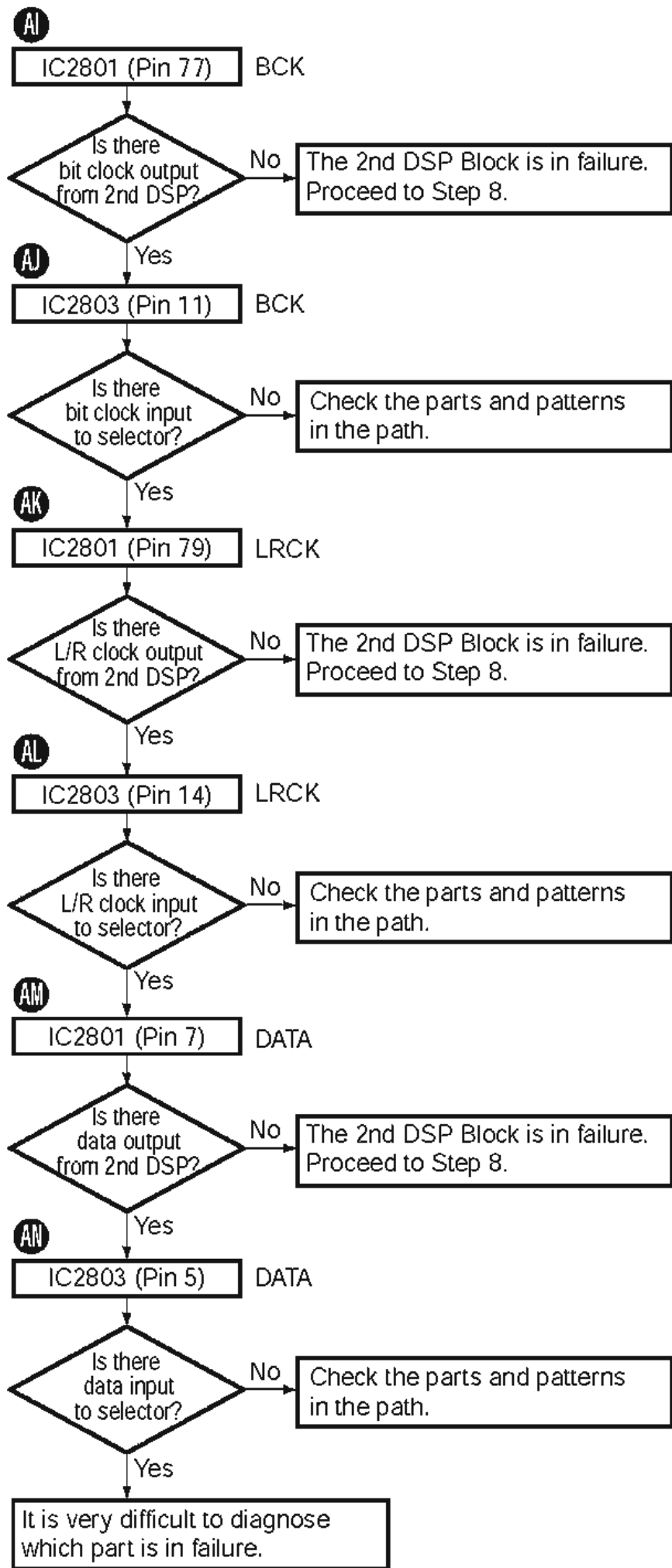
Step 4: Audio Signal



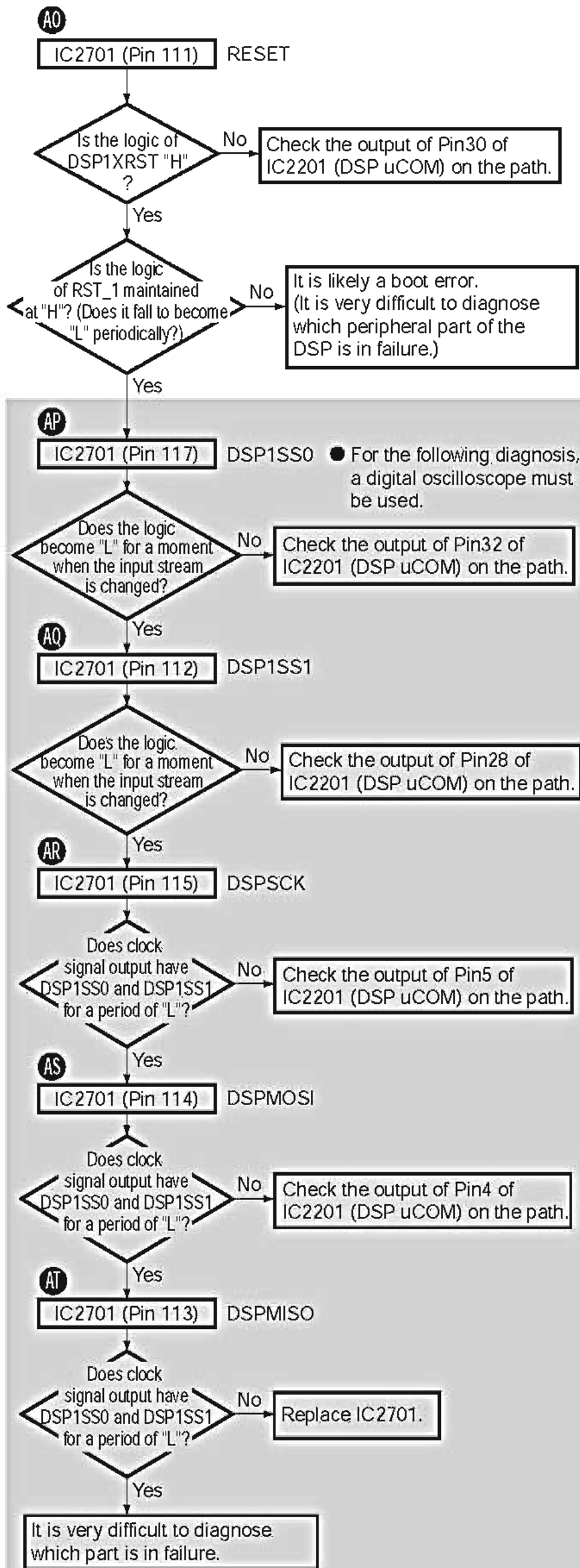
Step 5: Audio Signal



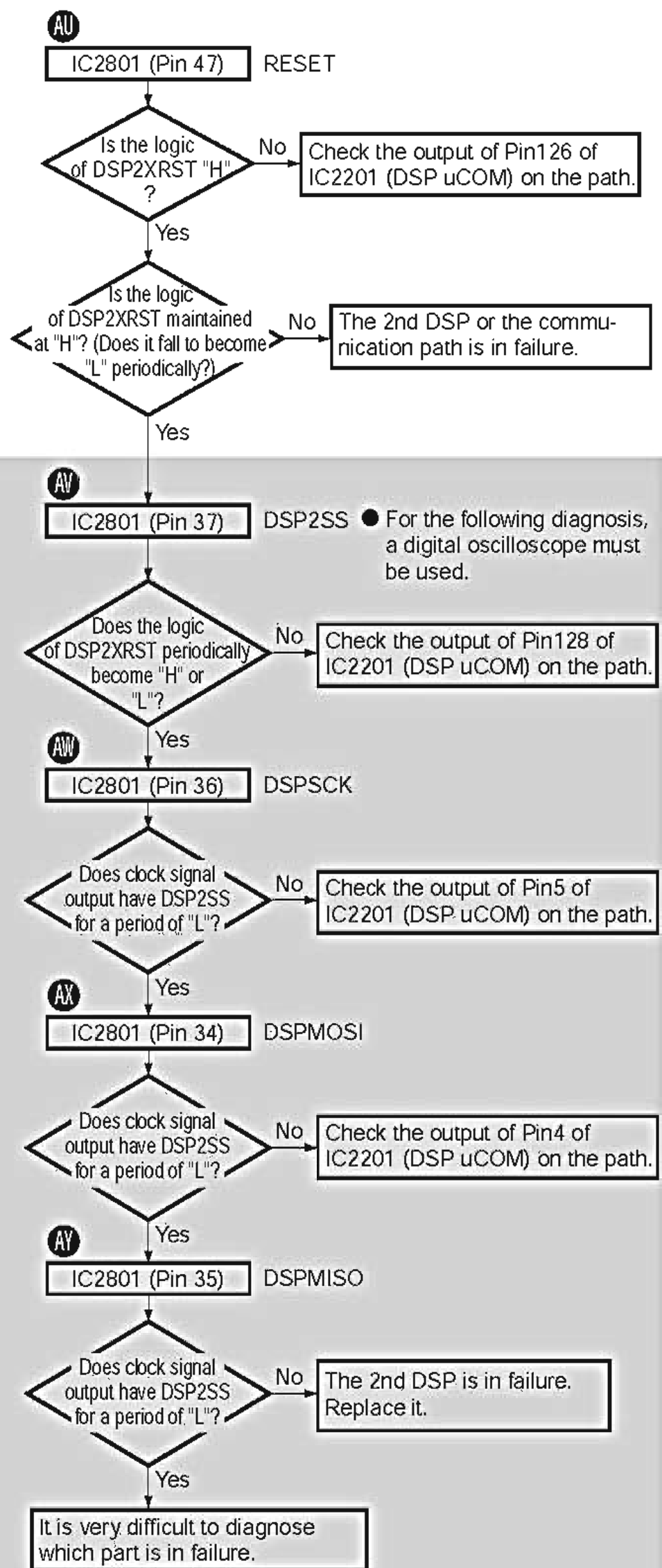
Step 6: Audio Signal



Step 7: 1st DSP

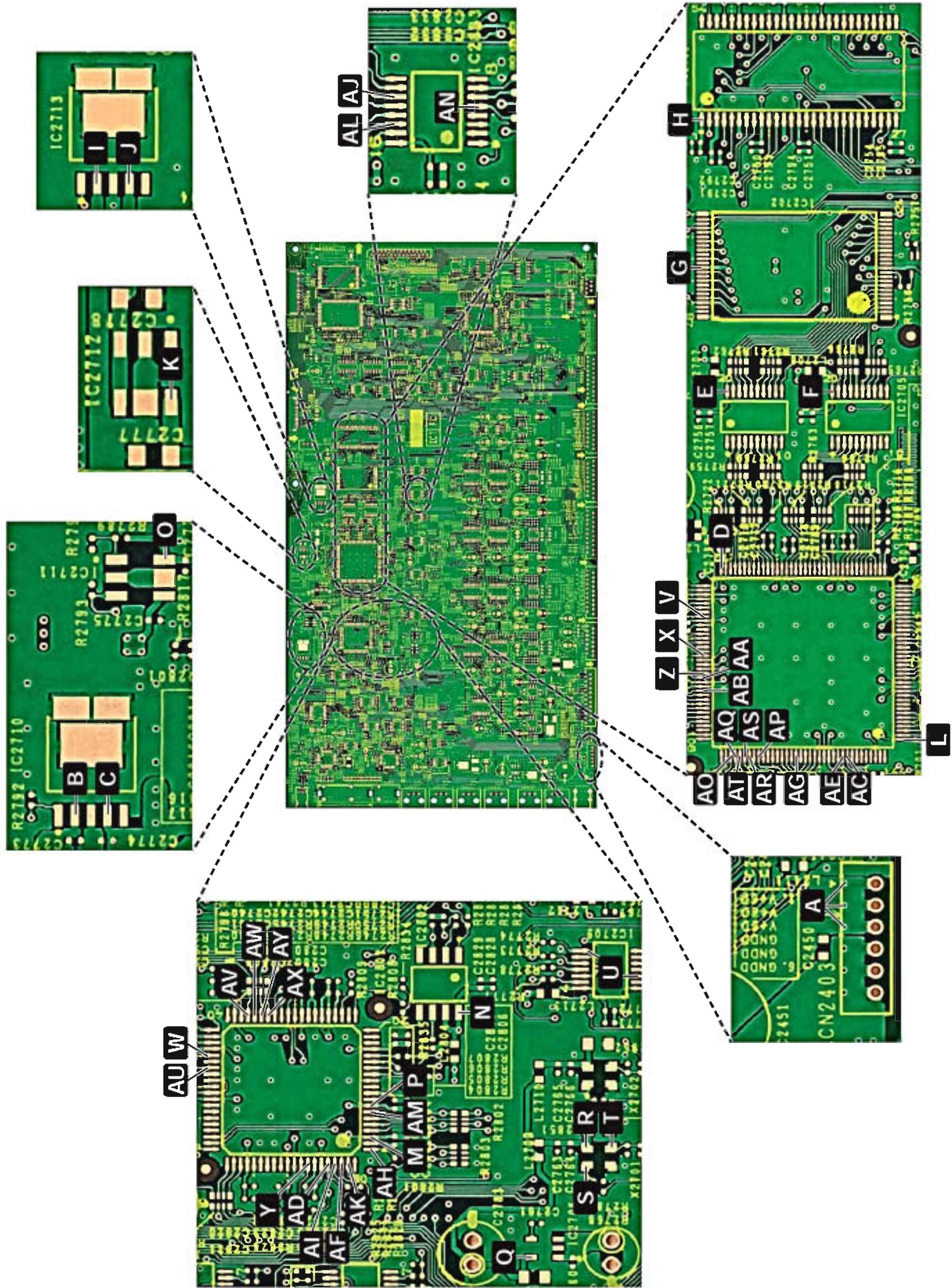


Step 8: 2nd DSP



3) D-MOTHER Assy check points (DSP section)

B D-MOTHER ASSY SIDE A



[3] HDMI Troubleshooting

- The parts marked like **A2** in the following chart are located in "HDMI/NETWORK Assy Check Points".

Common section

Step 1: Connections

CN1001 - CN1003,
CN201, CN1701, CN601

All Connectors

Is soldering and connections of the connectors OK?

No
Solder the connectors correctly, insert the connectors securely.

Step 2-1: Power supply, CLK

CN1001(Pin 4) UNReg INPUT
V+12HDMI

Is the voltage 15.5 V?

No
Diagnosis the INTERFACE Assy.

R1057 6 V
V+6HD

Is the voltage 6 V?

No
Check the soldering of IC1051 and the peripheries of IC1051. If soldering has not been done correctly, replace IC1051.

R1082 5 V
V+5DHD

Is the voltage 5 V?

No
Check the soldering of IC1082 and the peripheries of IC1082. If soldering has not been done correctly, replace IC1082.

R1073 5 V
V+5AHD

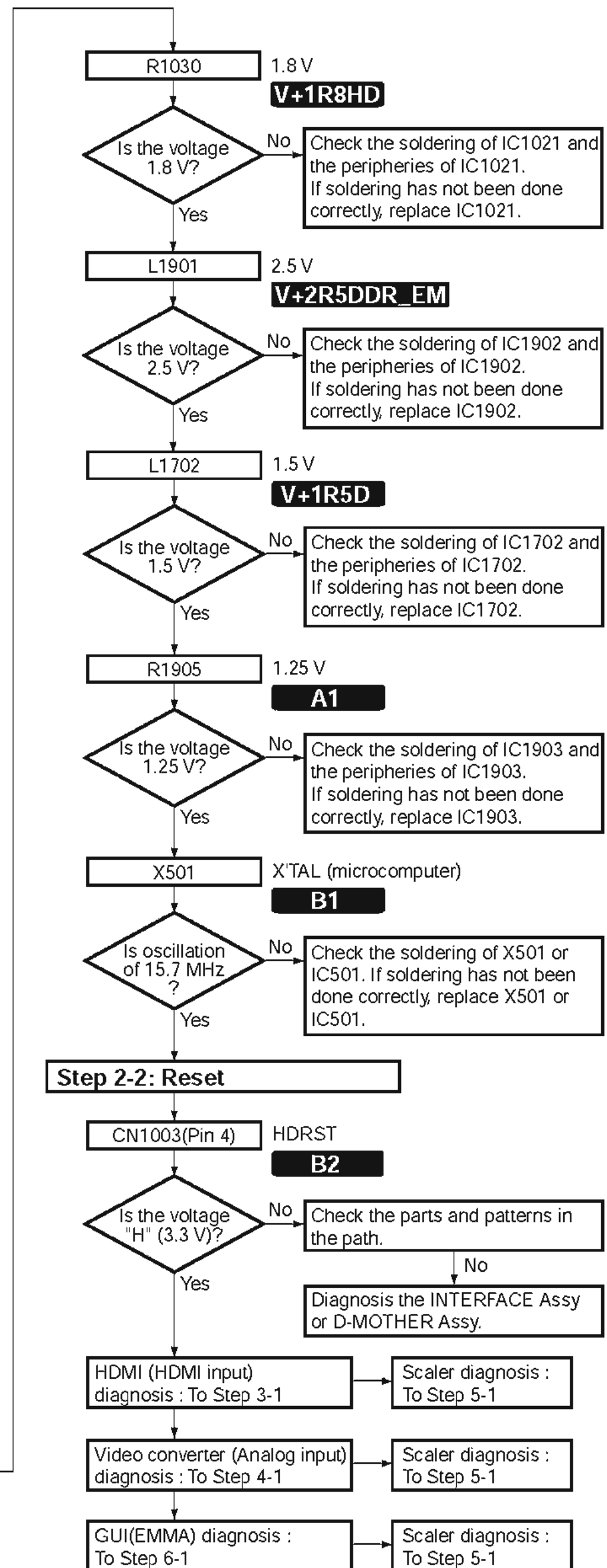
Is the voltage 5 V?

No
Check the soldering of IC1071 and the peripheries of IC1071. If soldering has not been done correctly, replace IC1071.

R1029 3.3 V
V+3R3HD

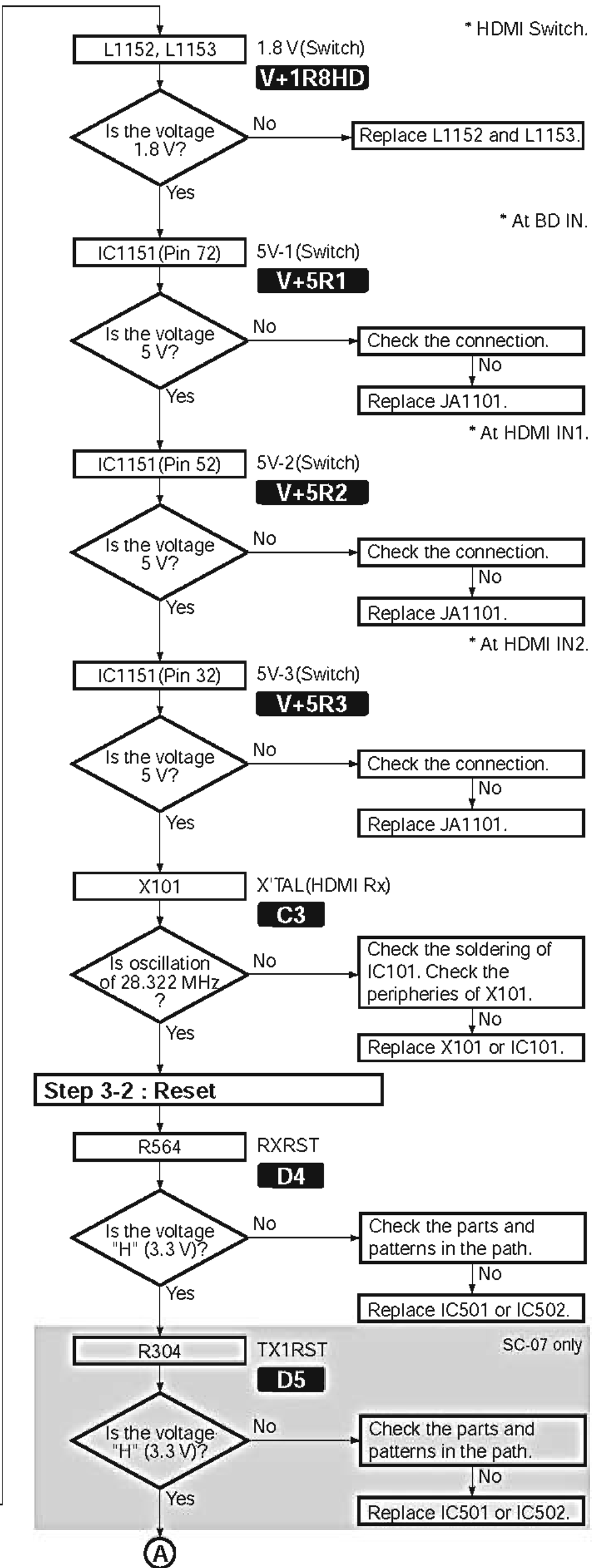
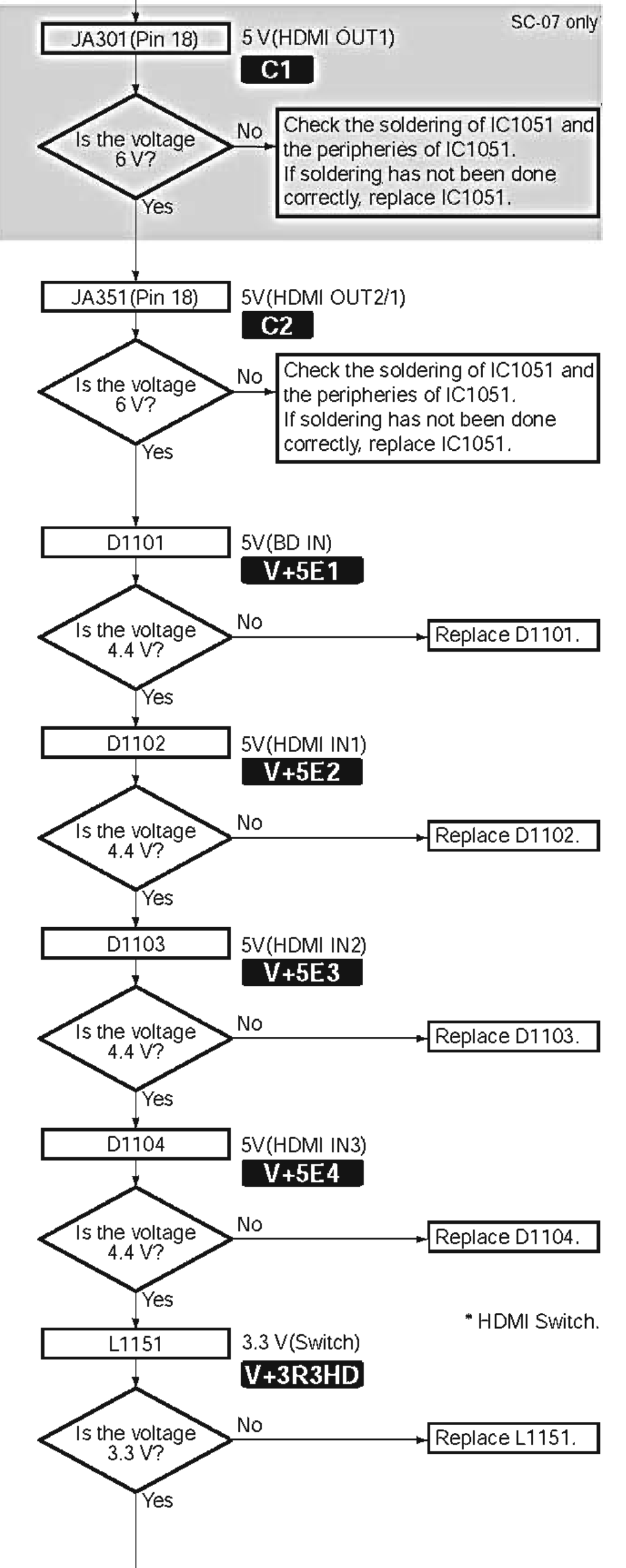
Is the voltage 3.3 V?

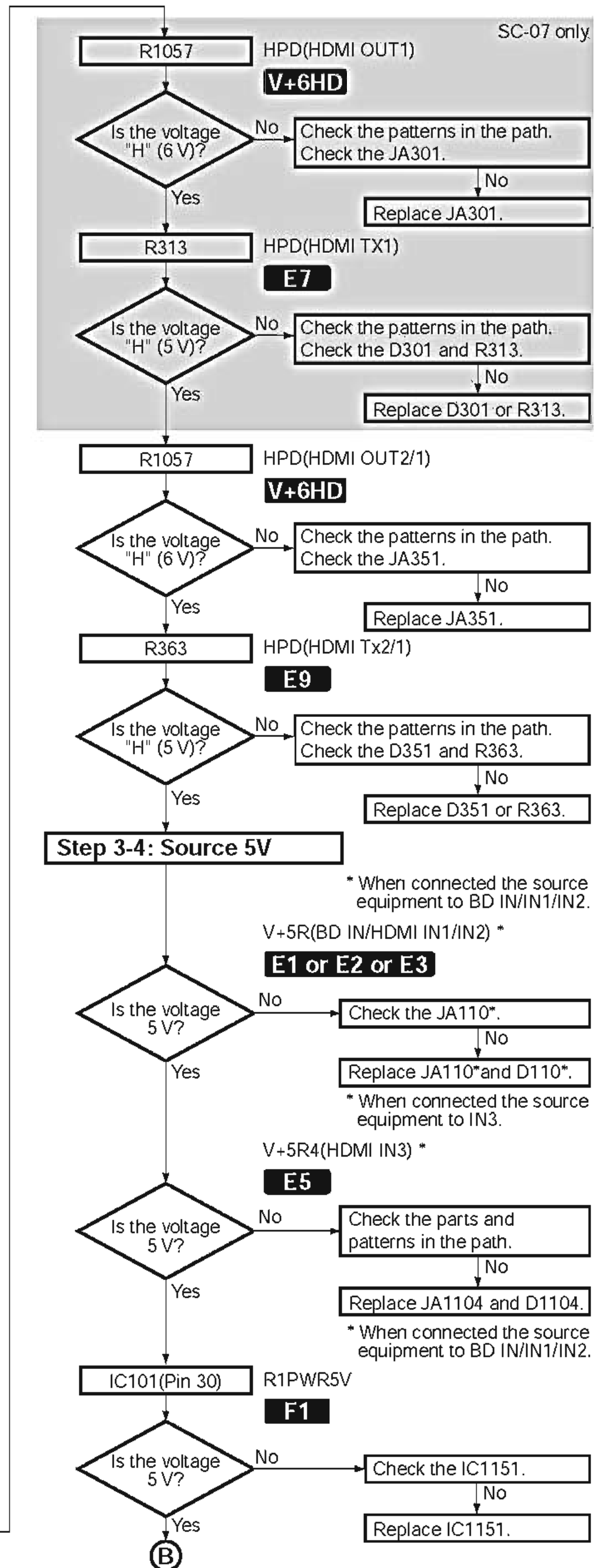
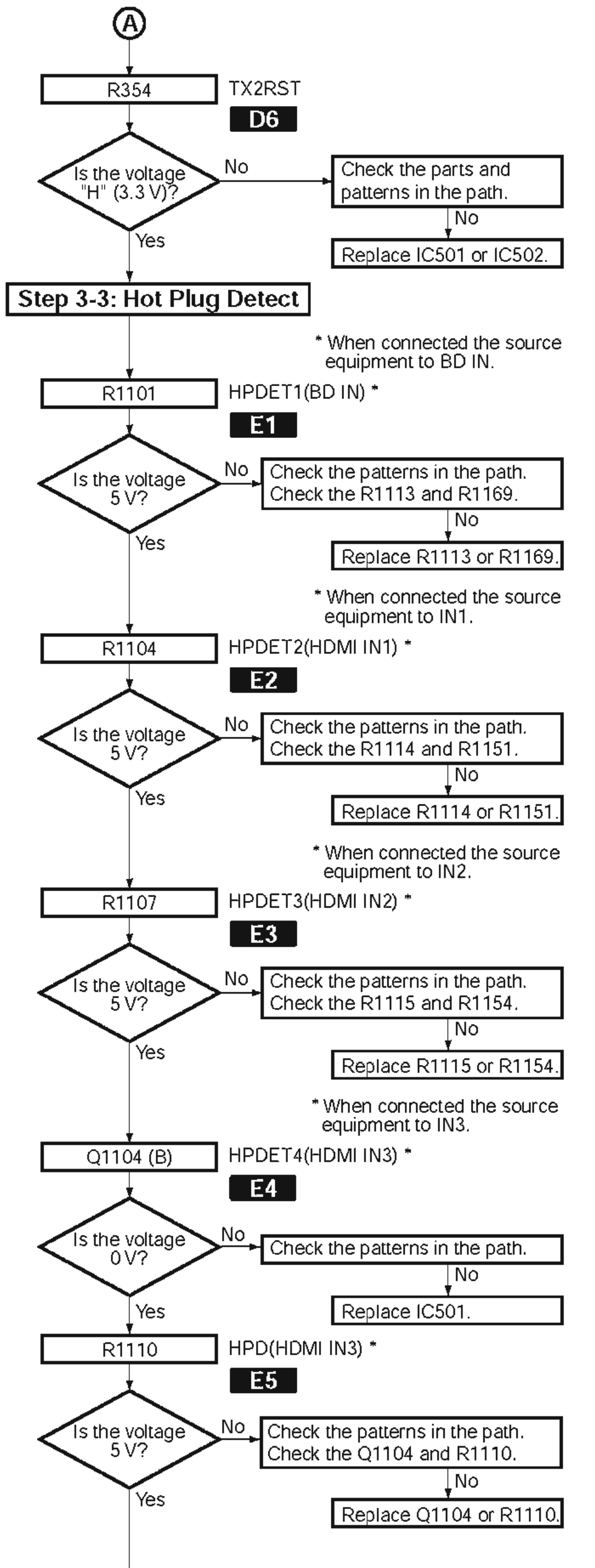
No
Check the soldering of IC1021 and the peripheries of IC1021. If soldering has not been done correctly, replace IC1021.

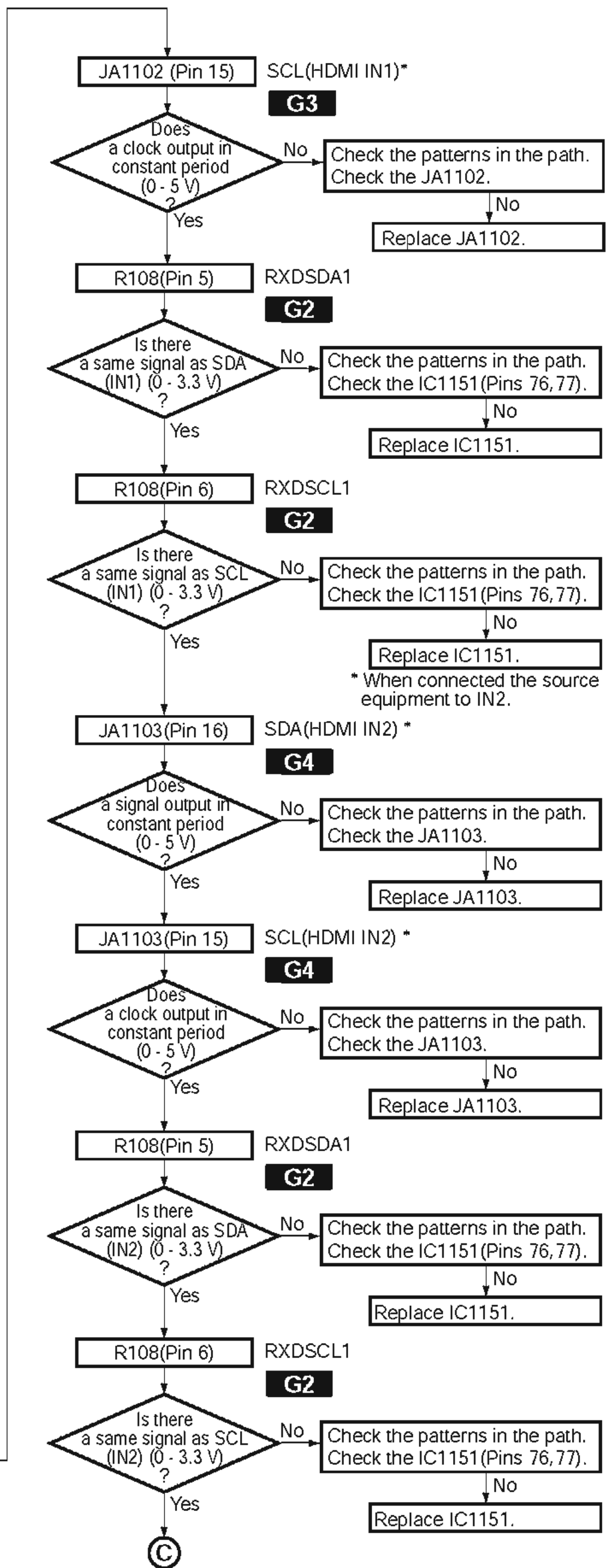
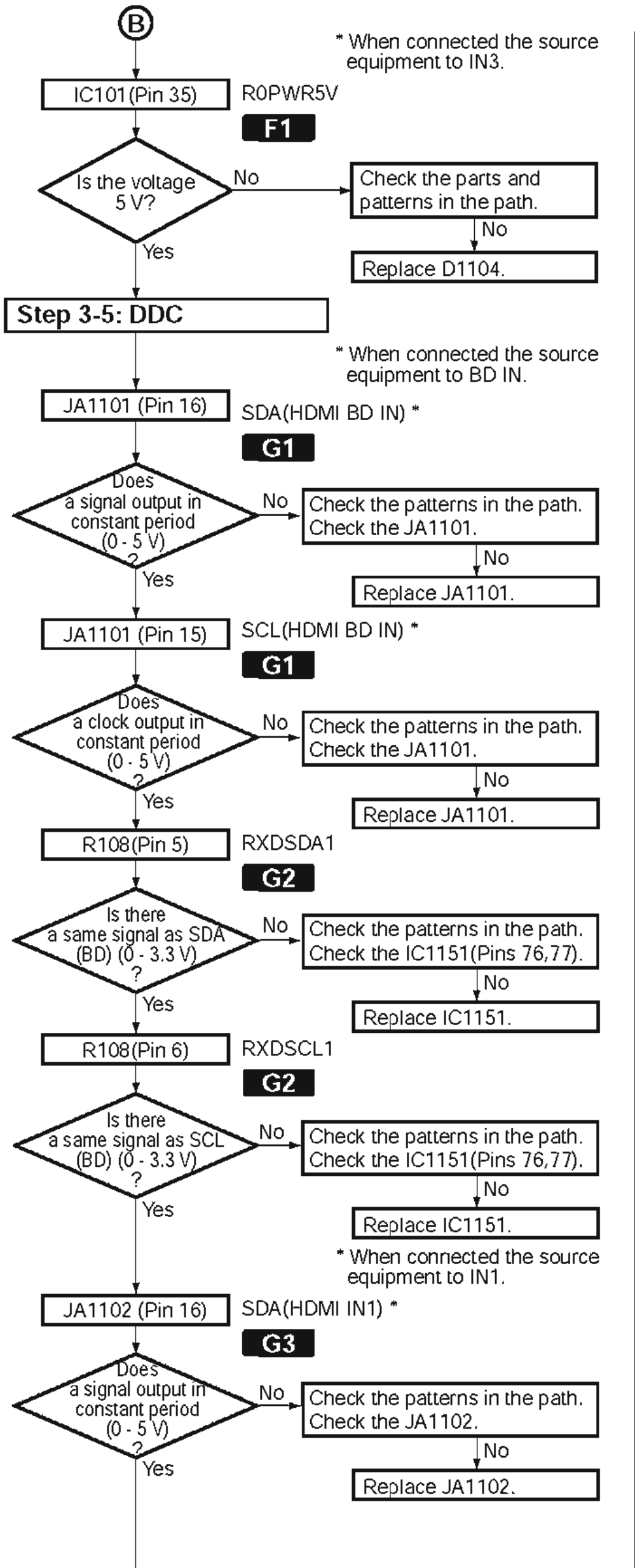


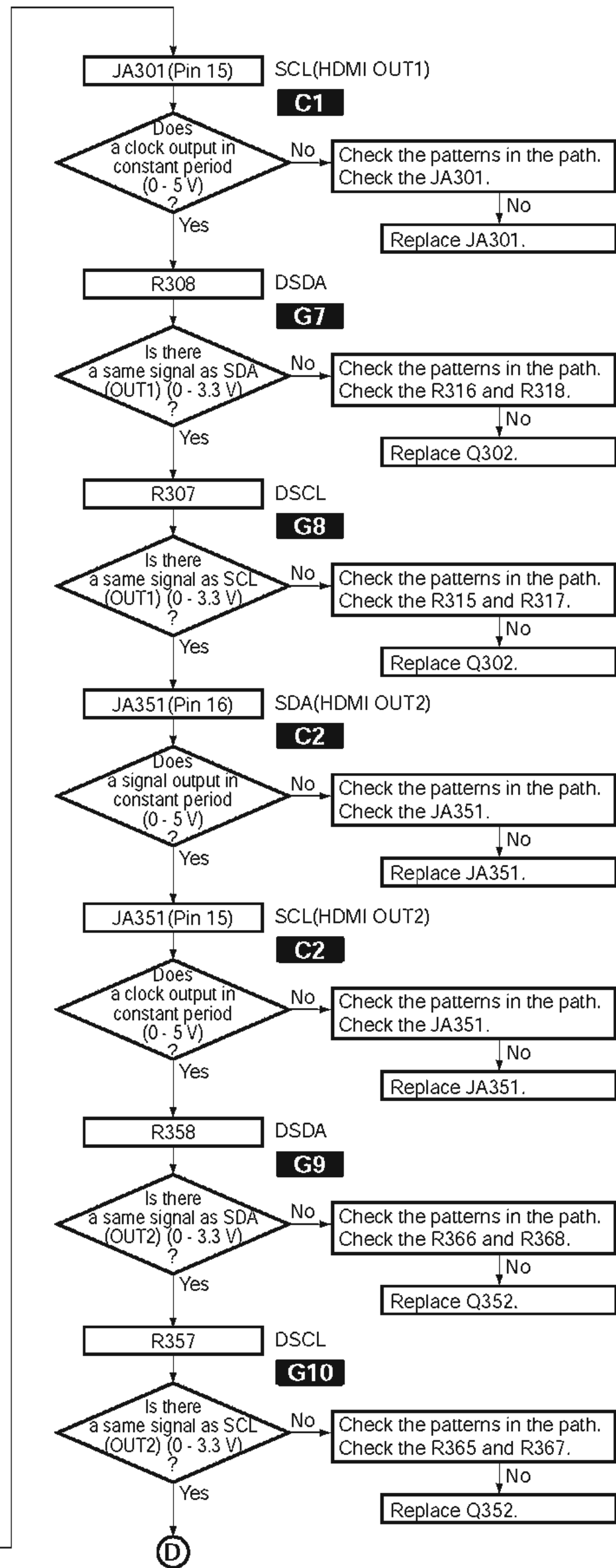
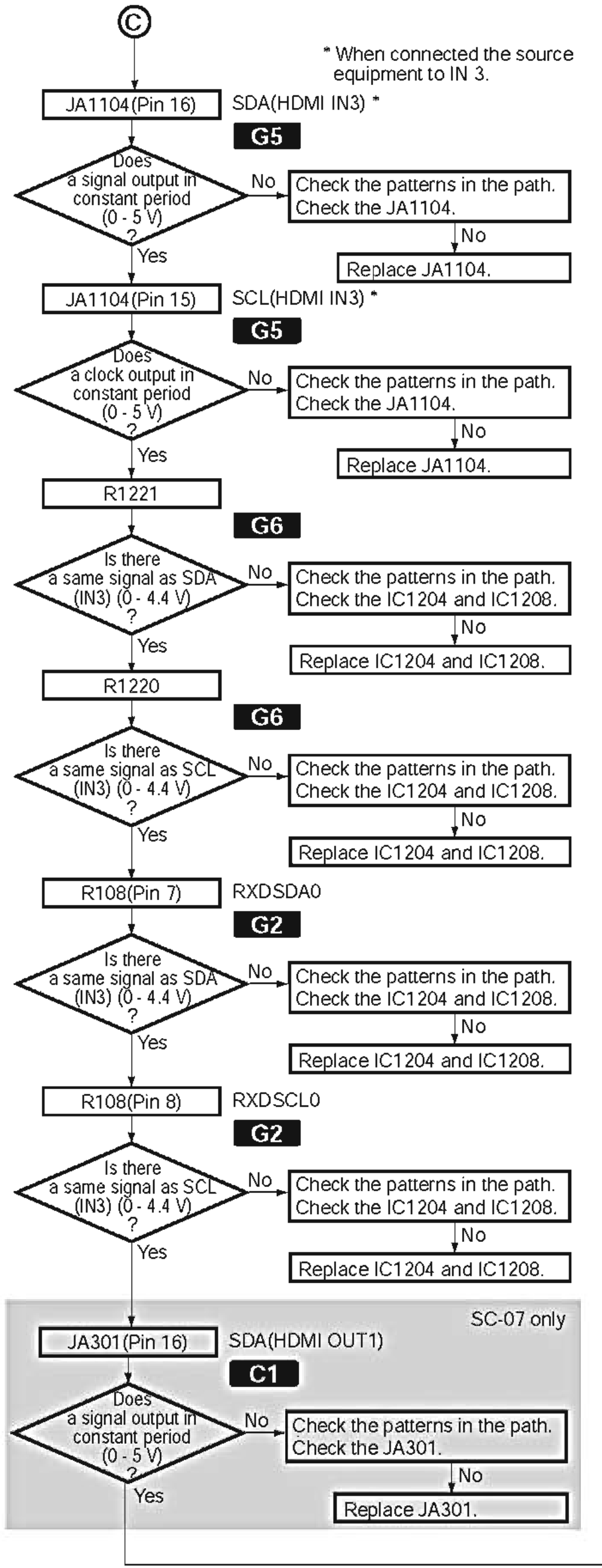
HDMI section

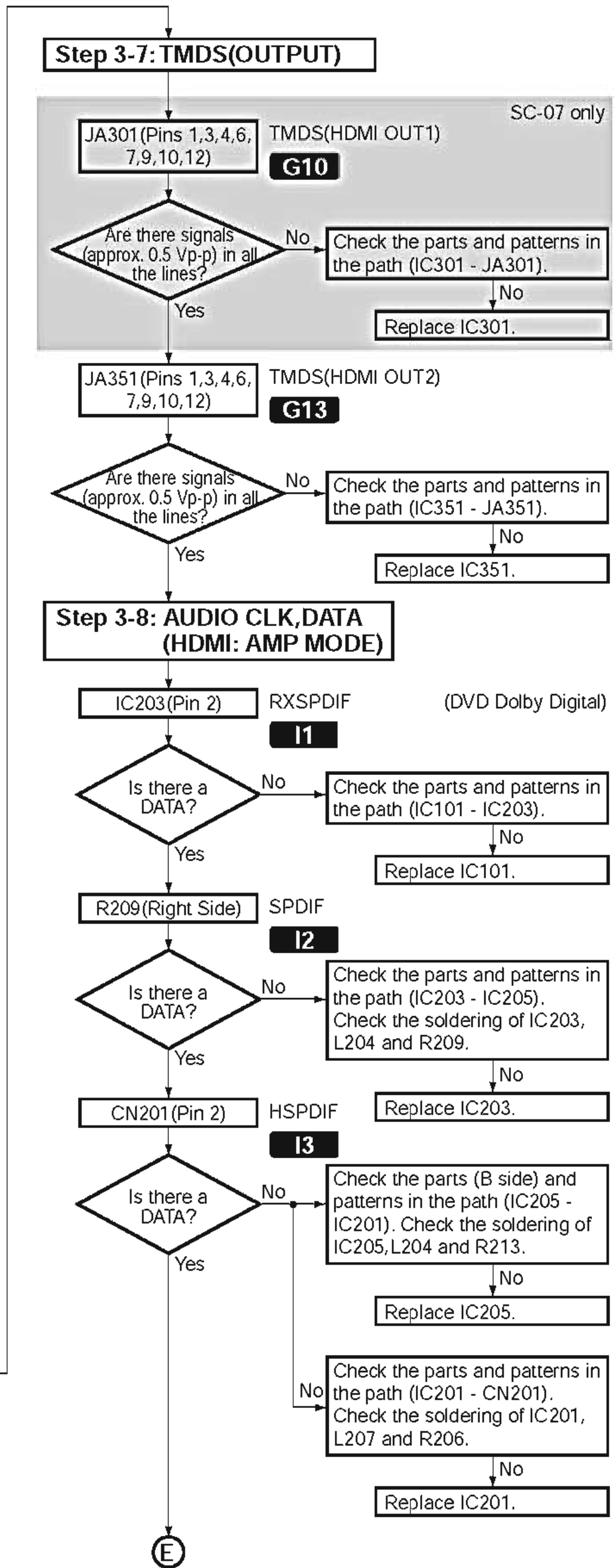
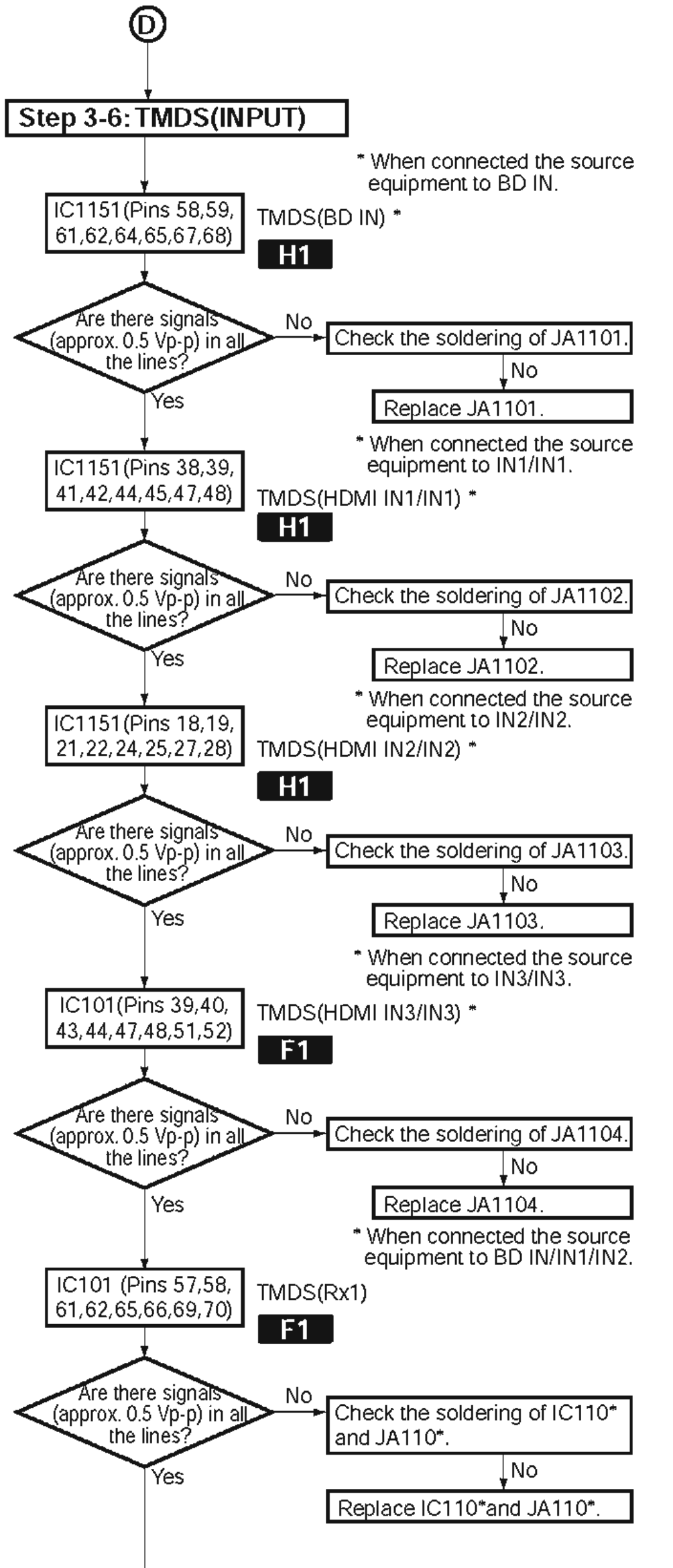
Step 3-1: Power supply, CLK

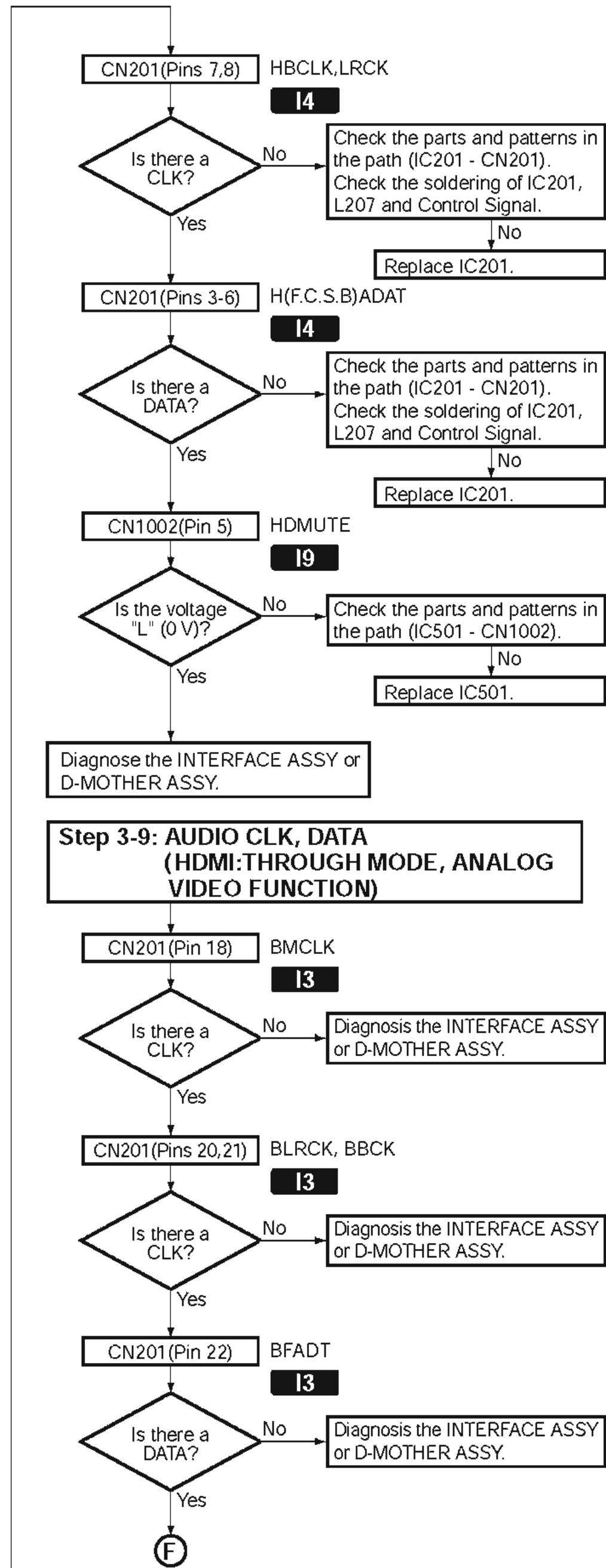
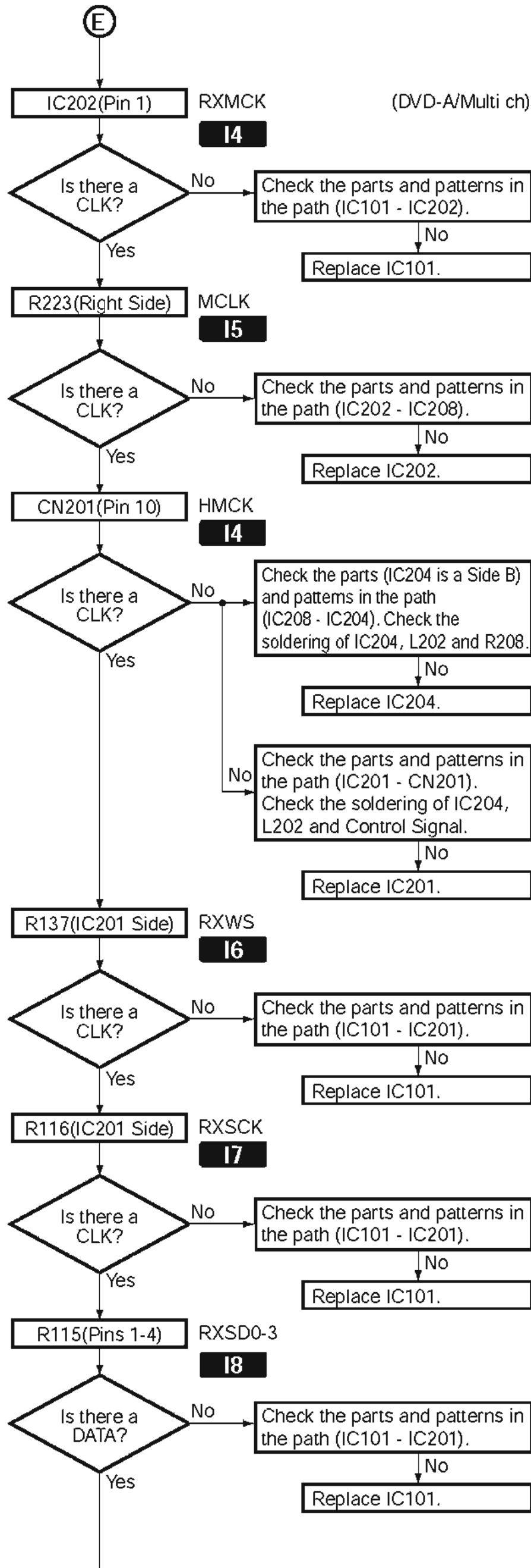


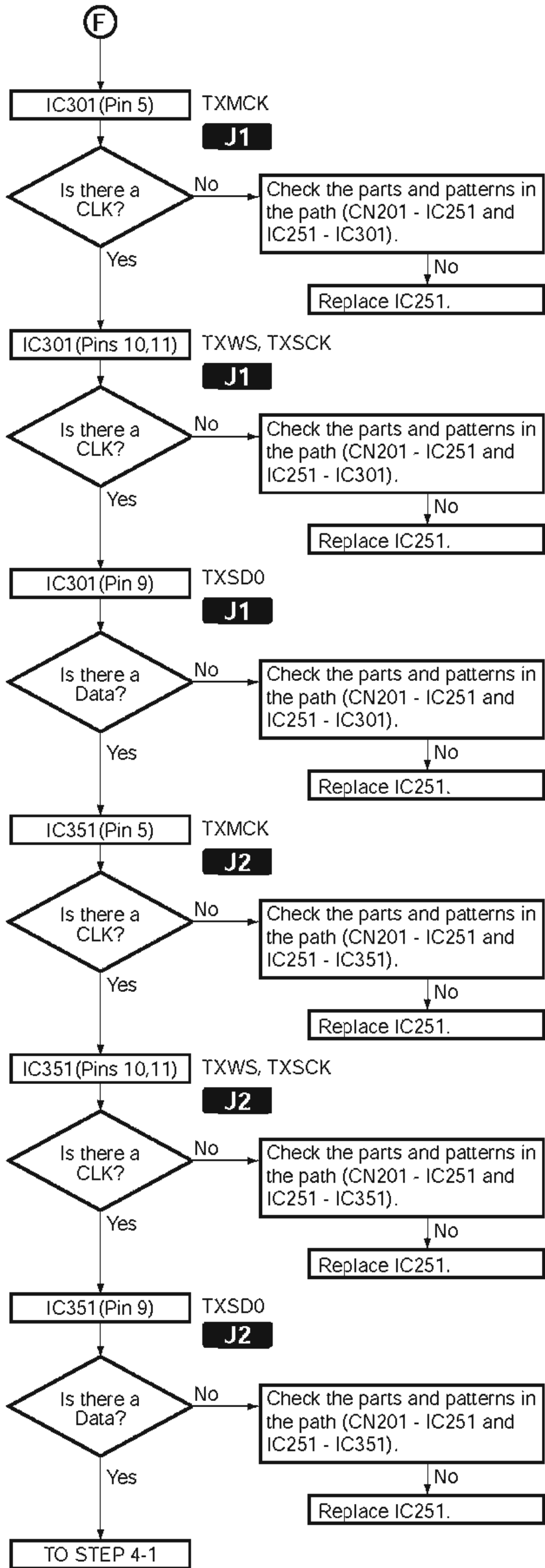






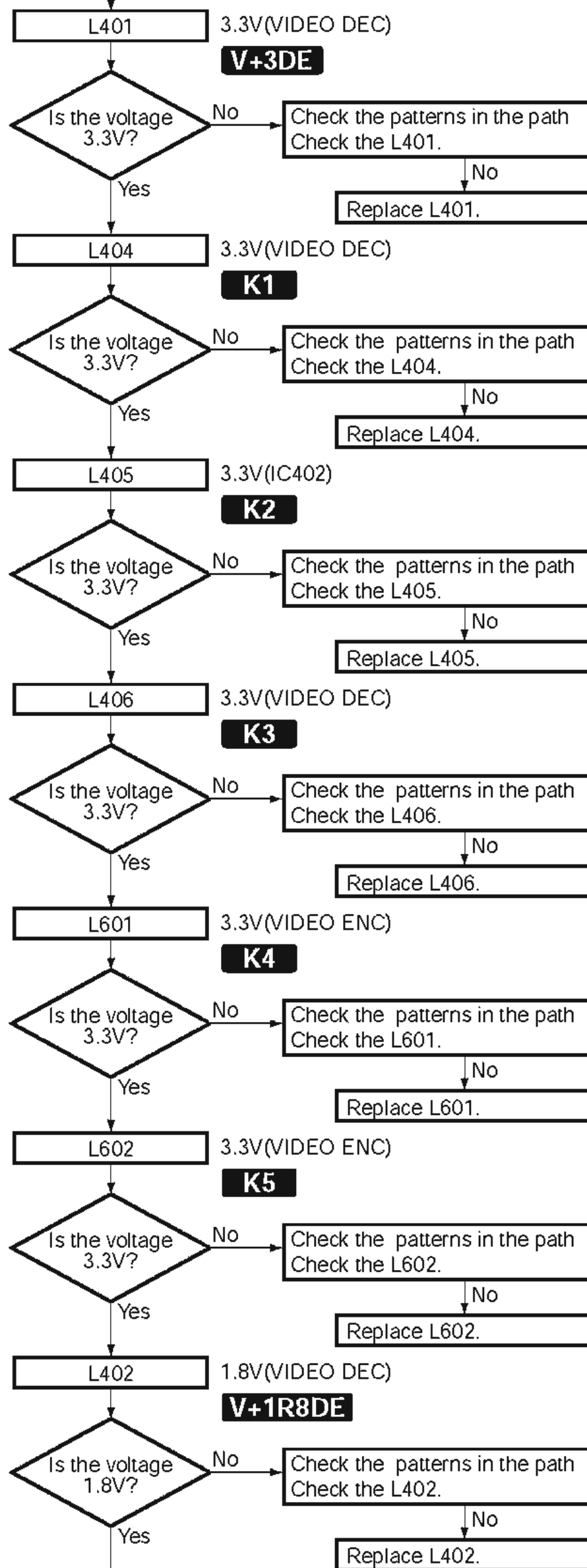




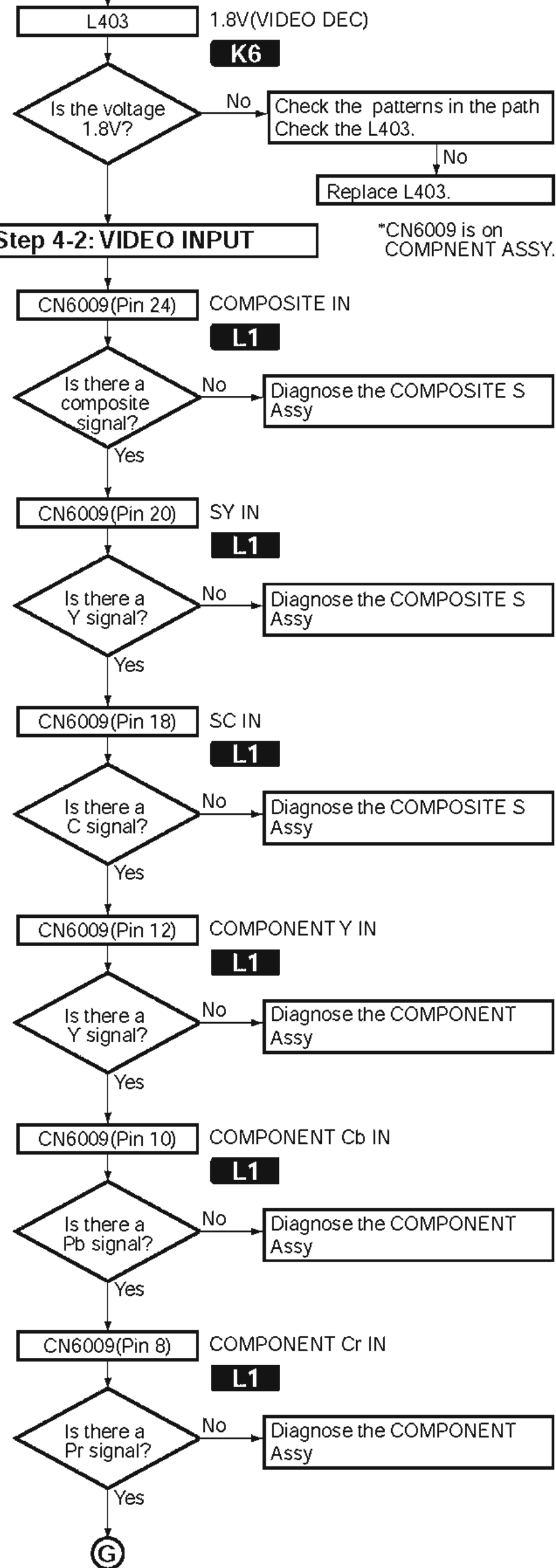


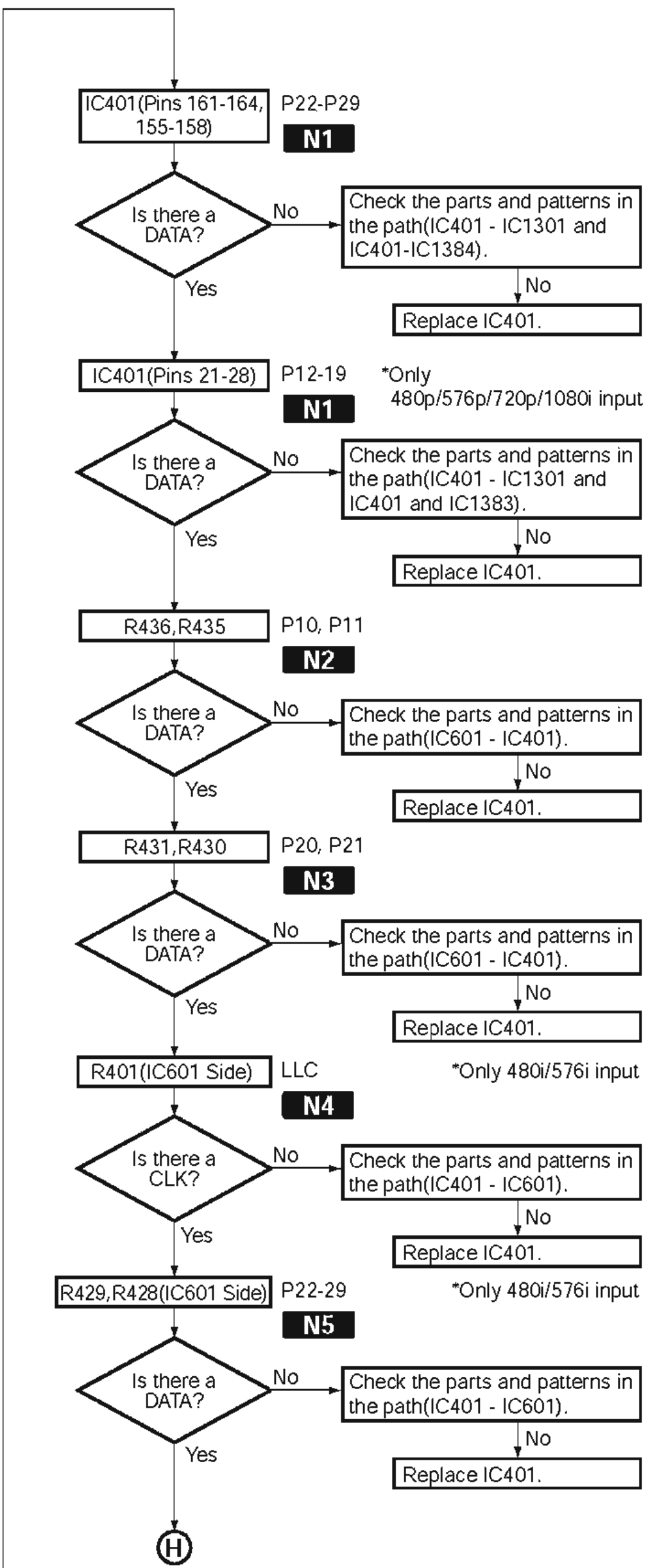
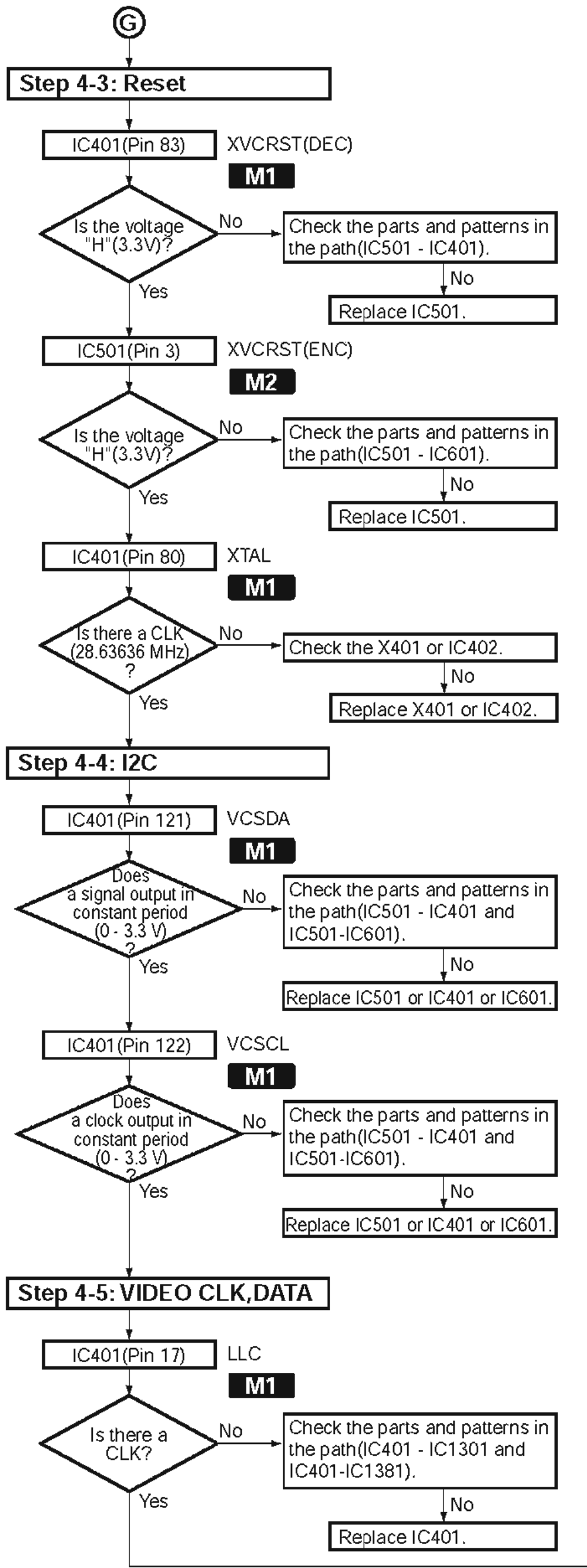
Video converter section

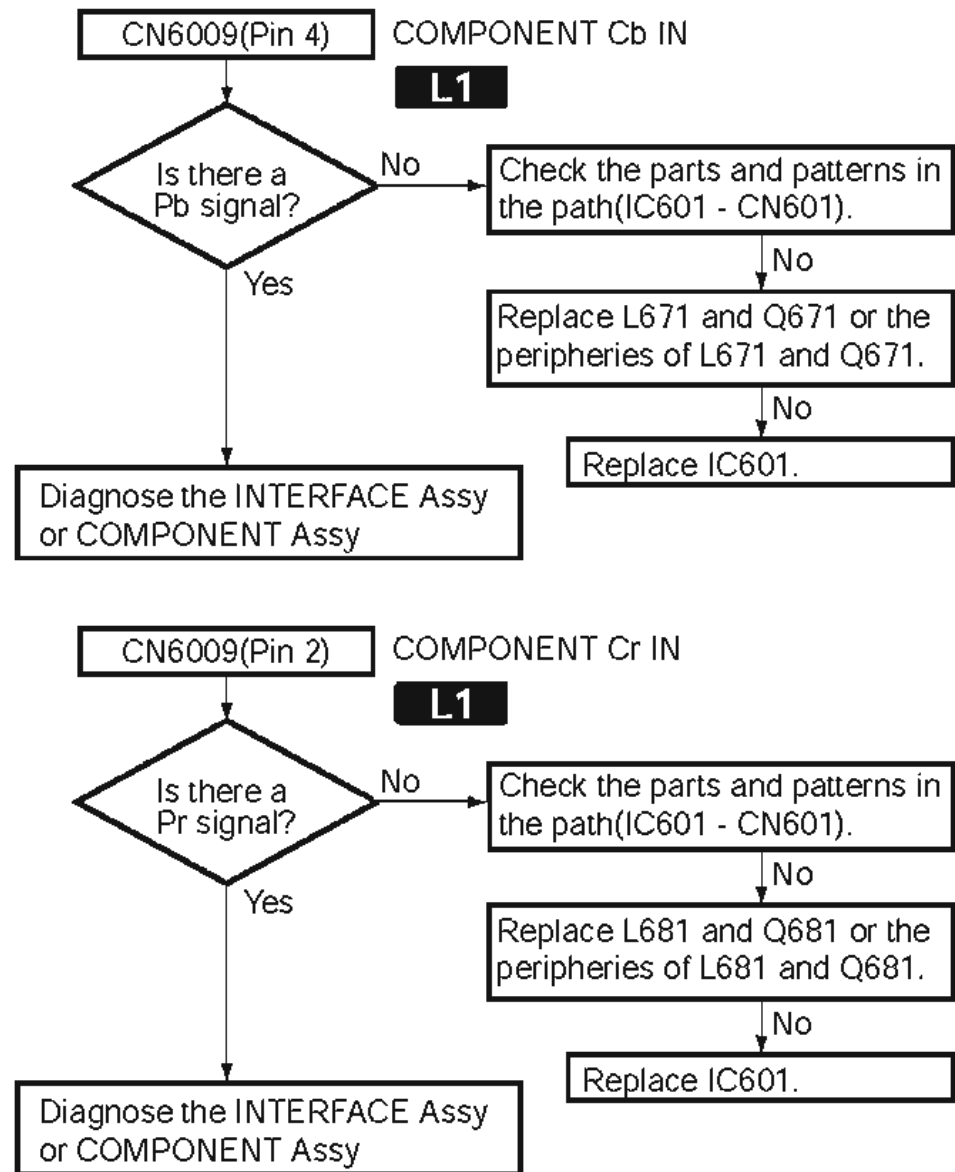
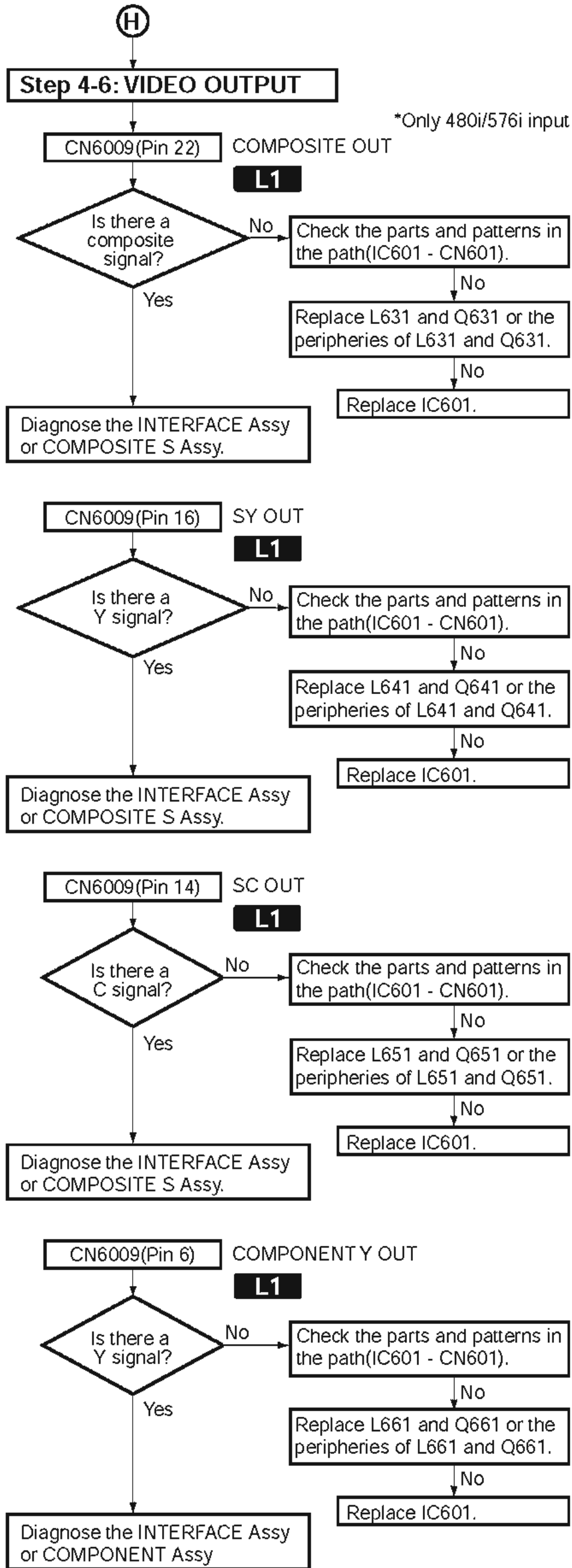
Step 4-1: Power supply



Step 4-2: VIDEO INPUT

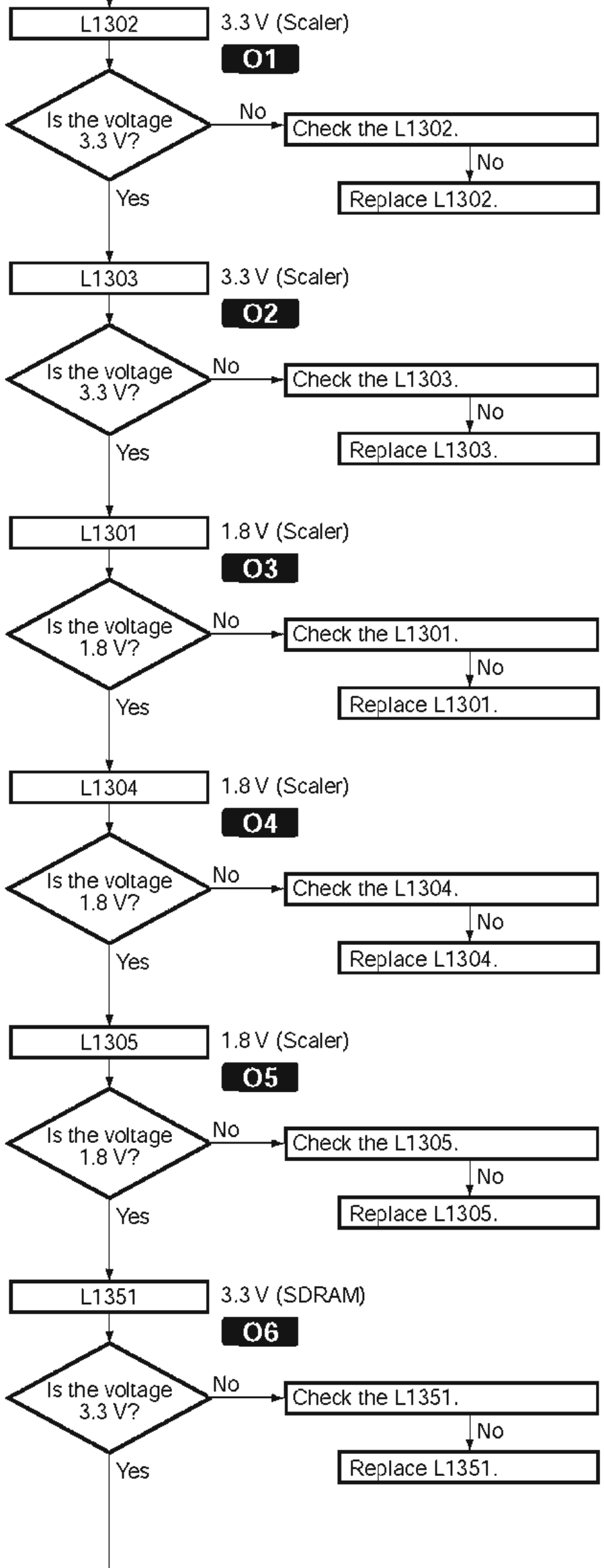




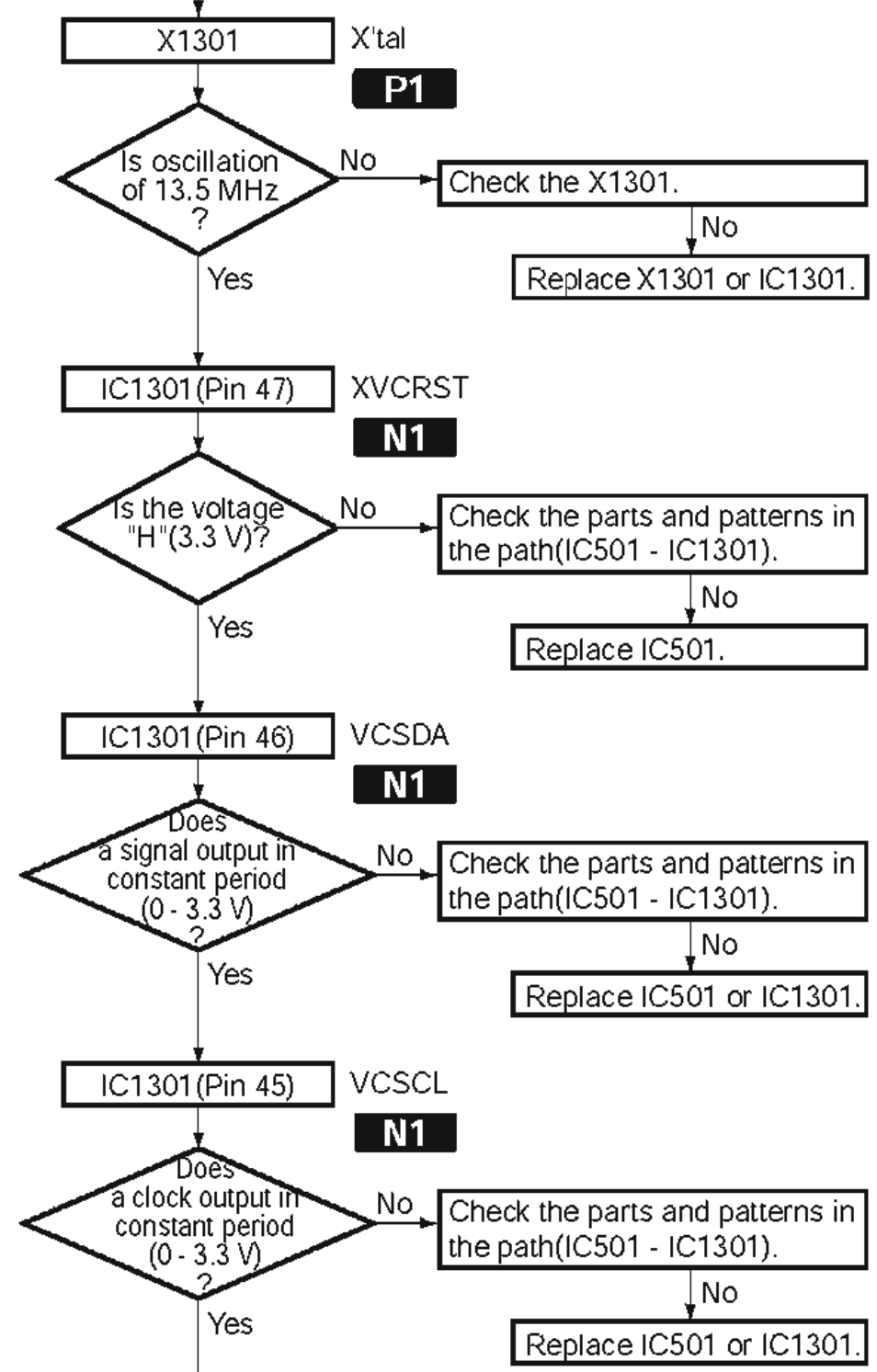


Scaler section

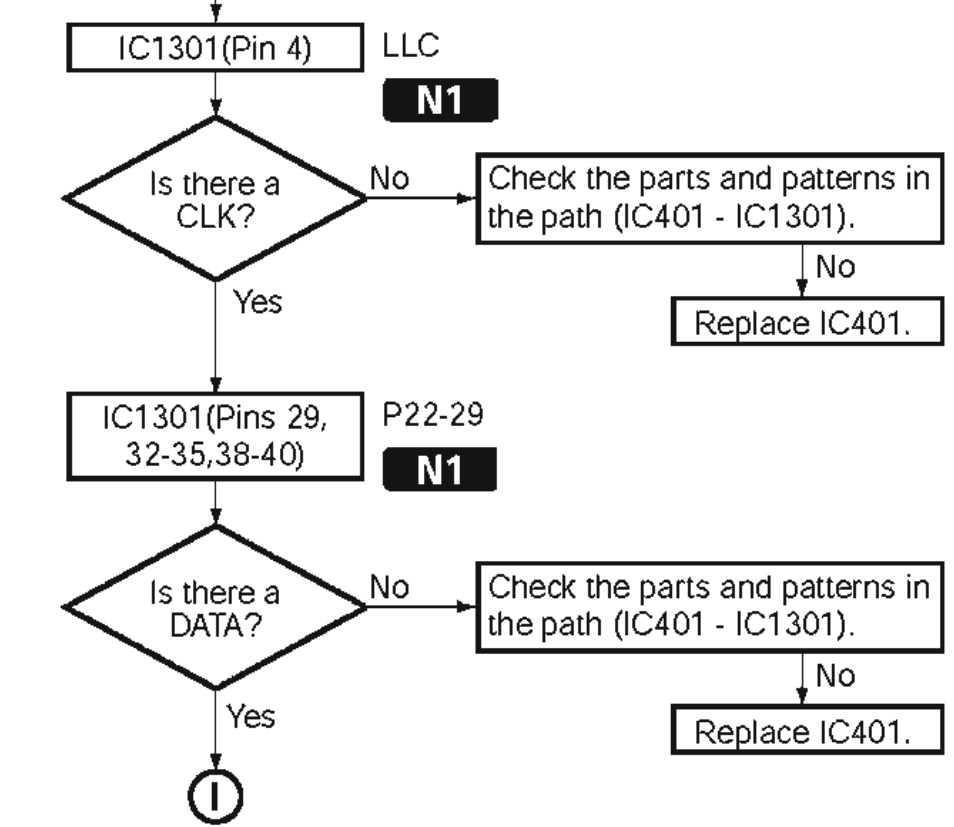
Step 5-1: Power supply

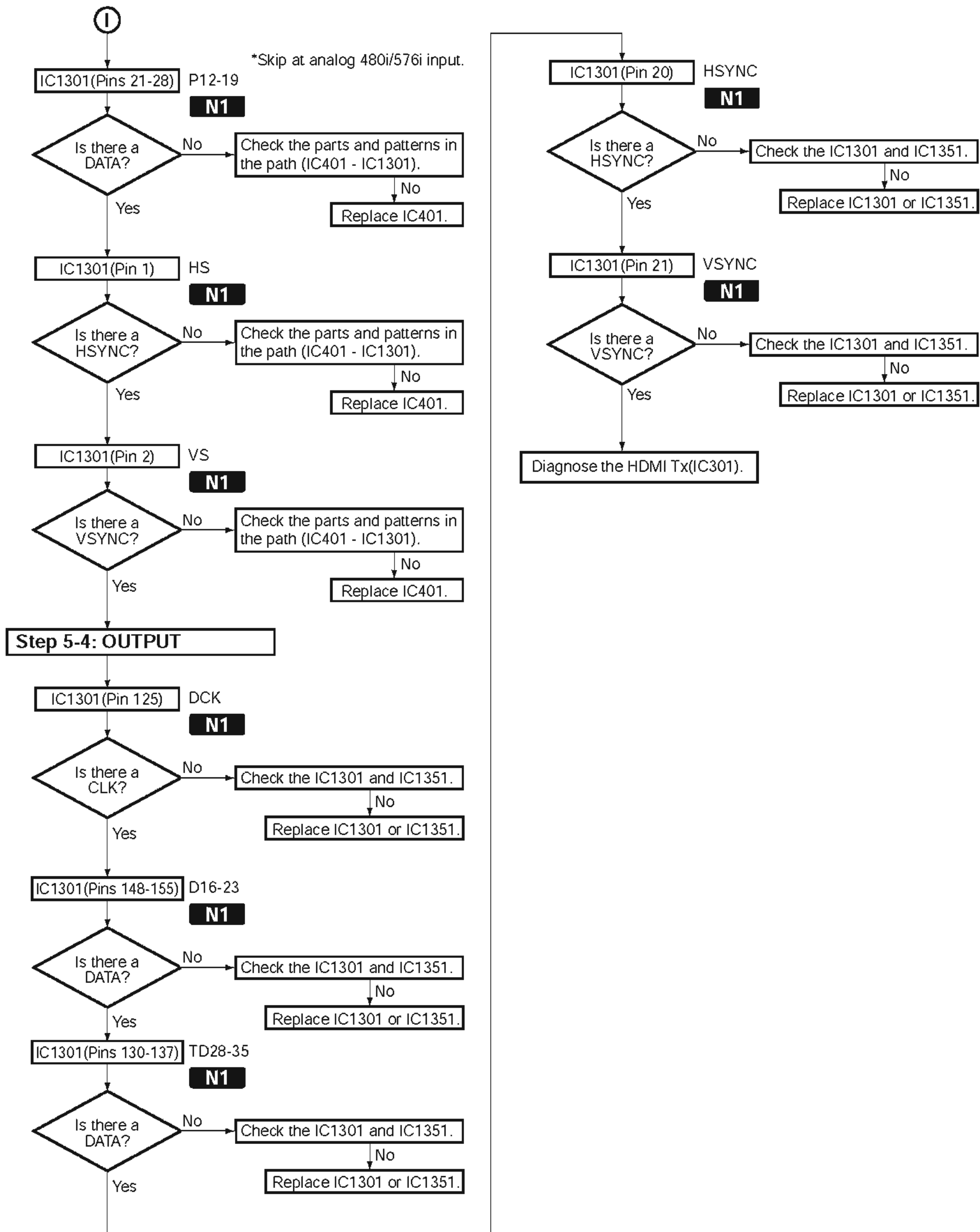


Step 5-2: X'tal, Reset



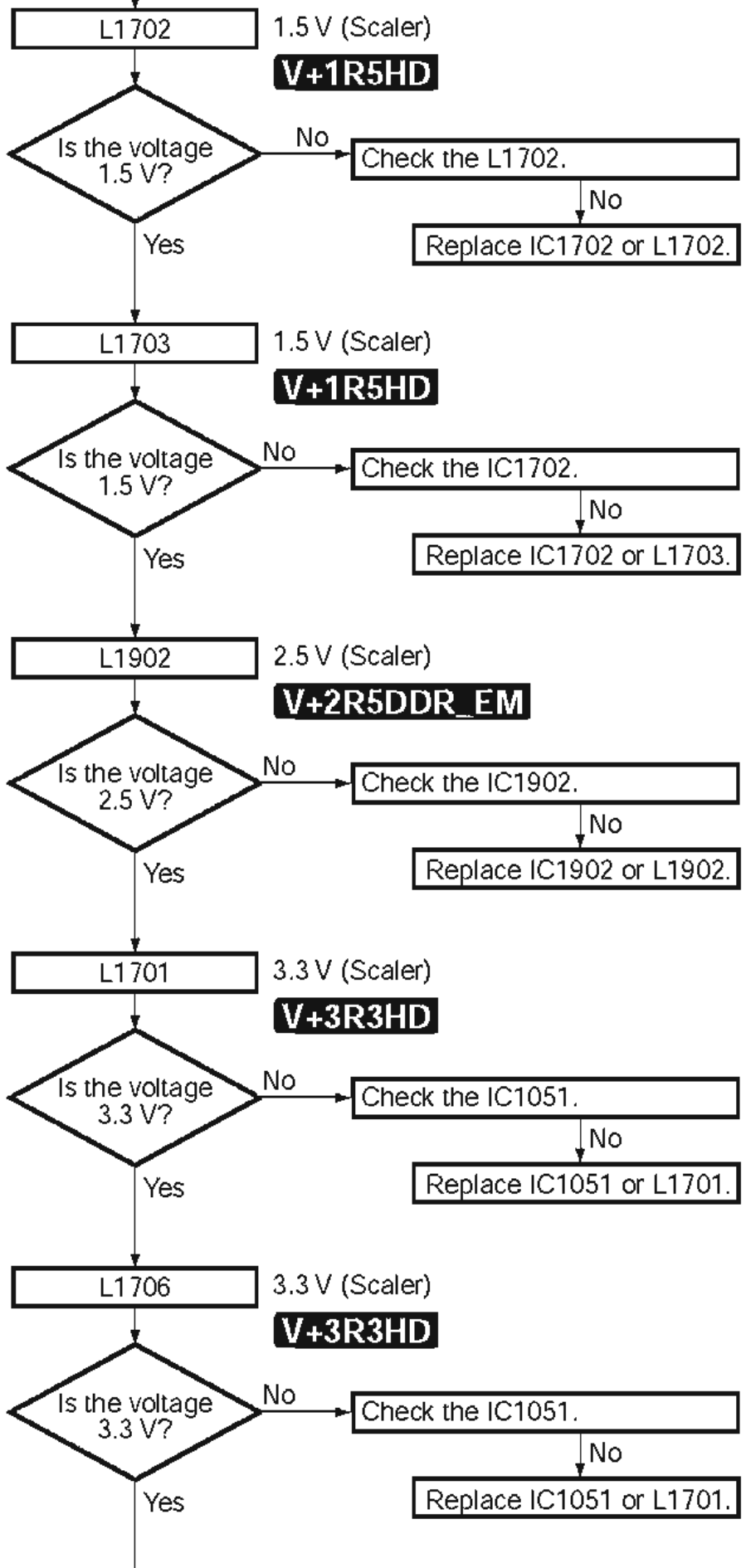
Step 5-3: INPUT



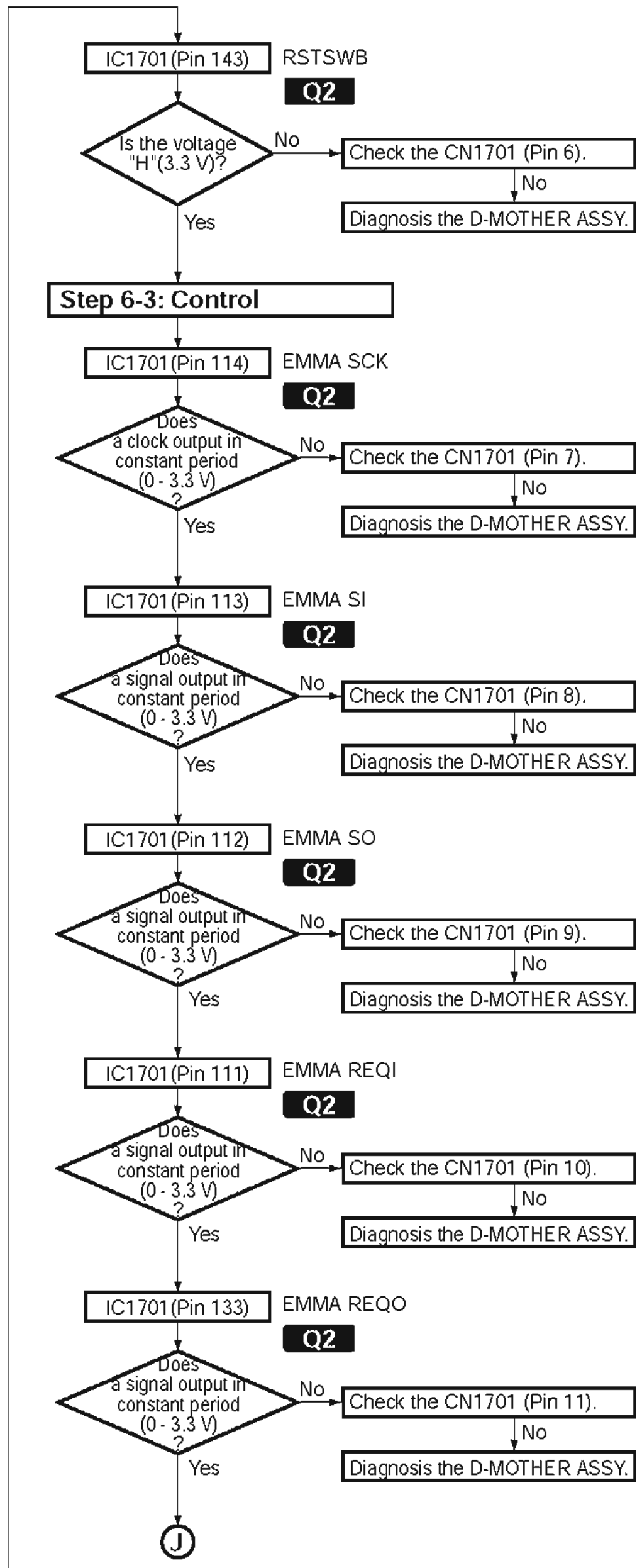
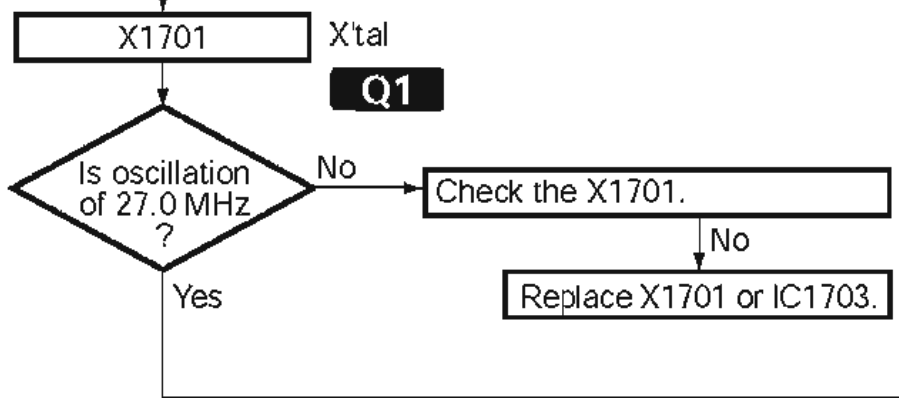


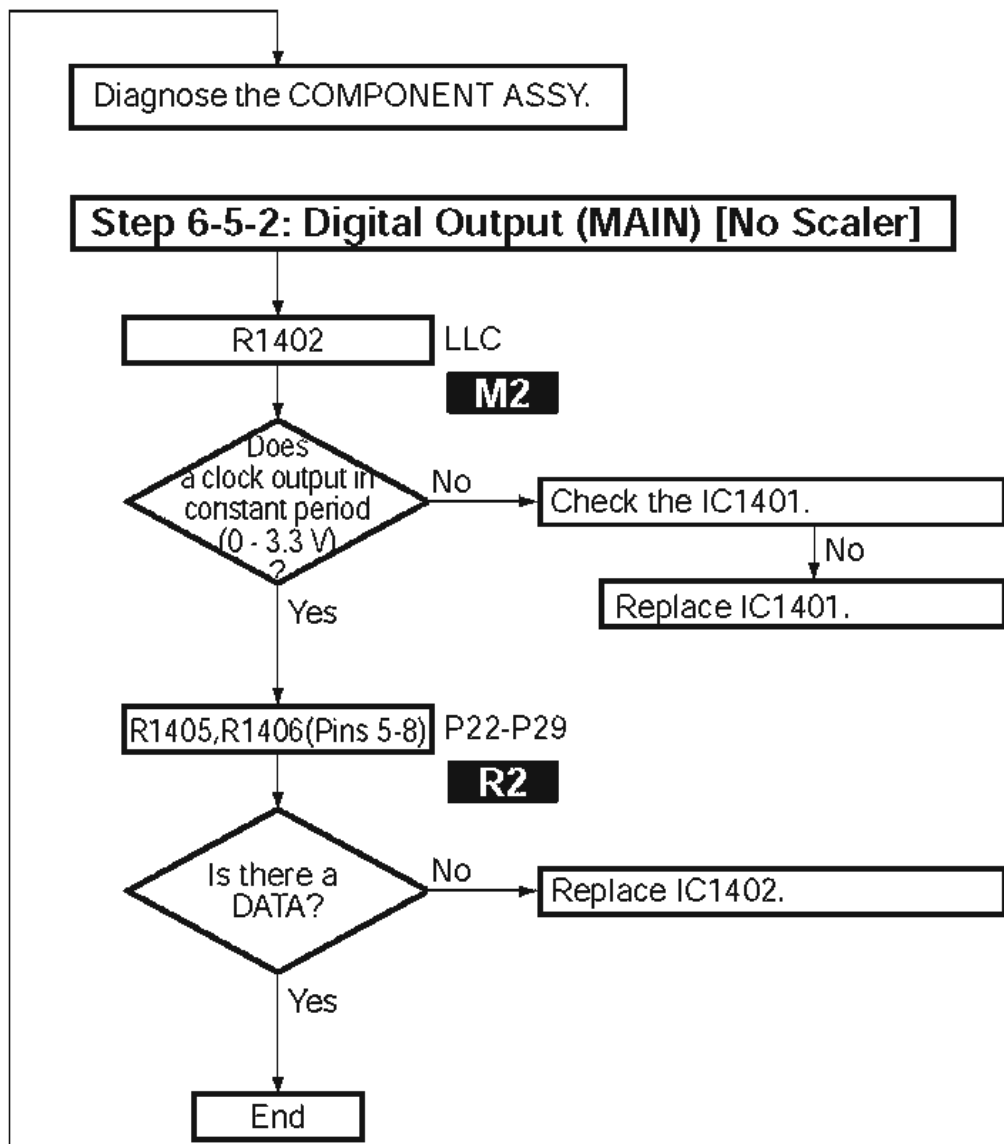
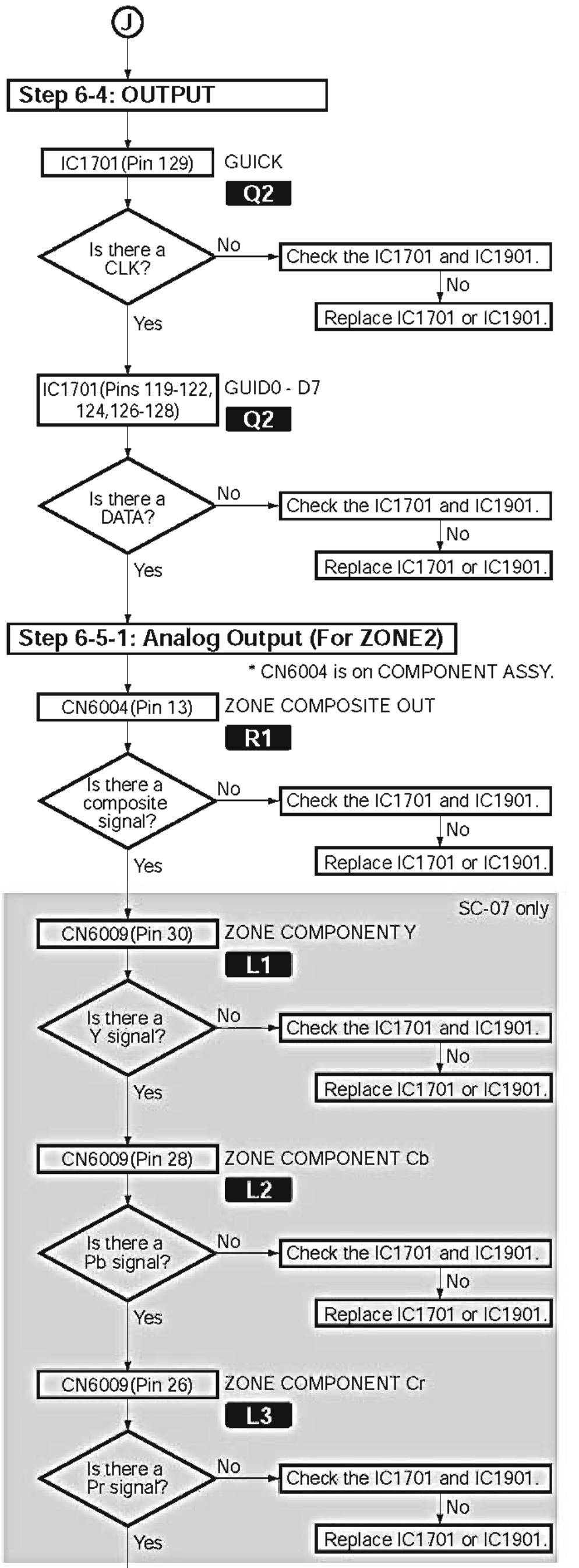
GUI(EMMA) section

Step 6-1: Power supply



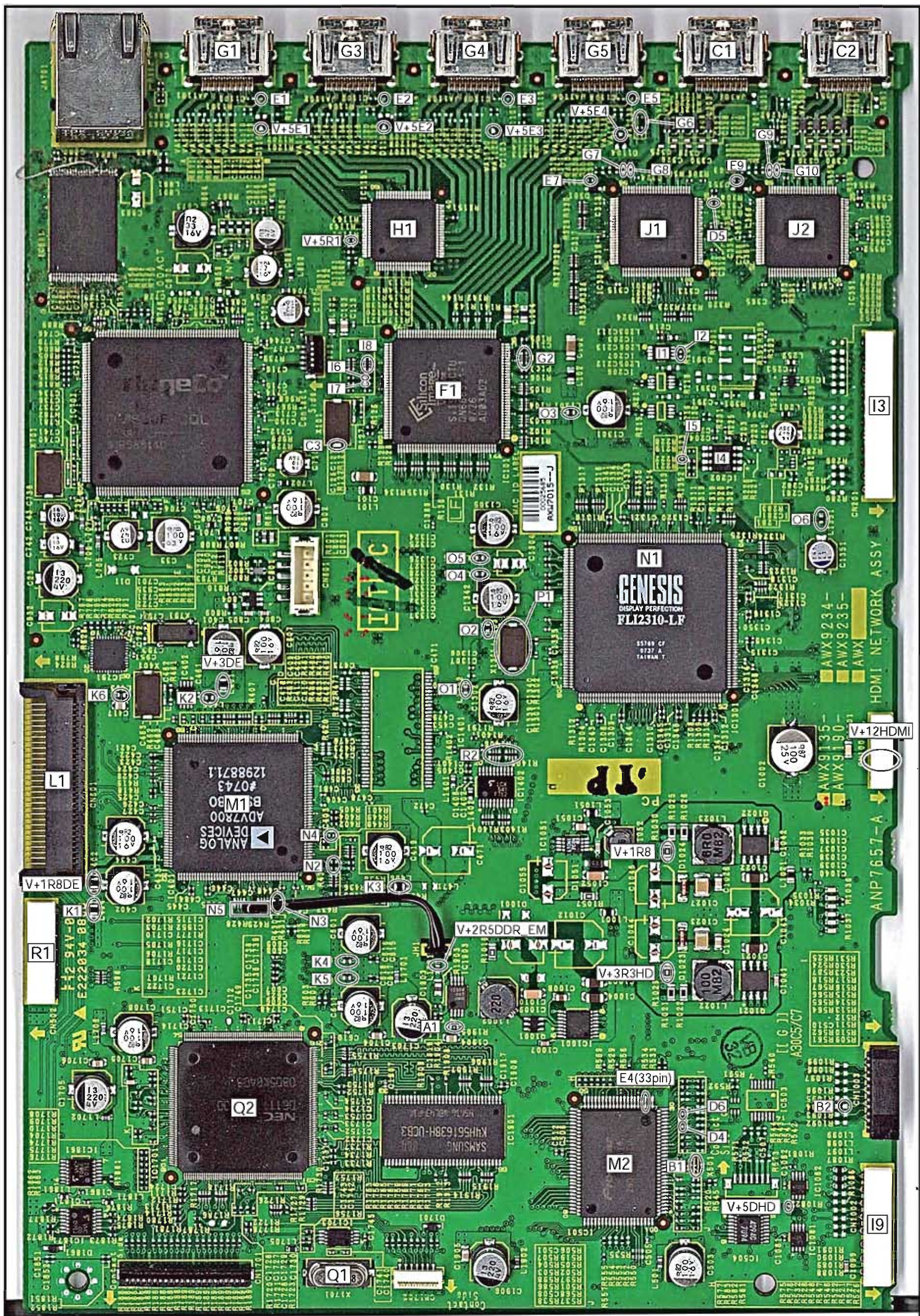
Step 6-2: X'tal, Reset

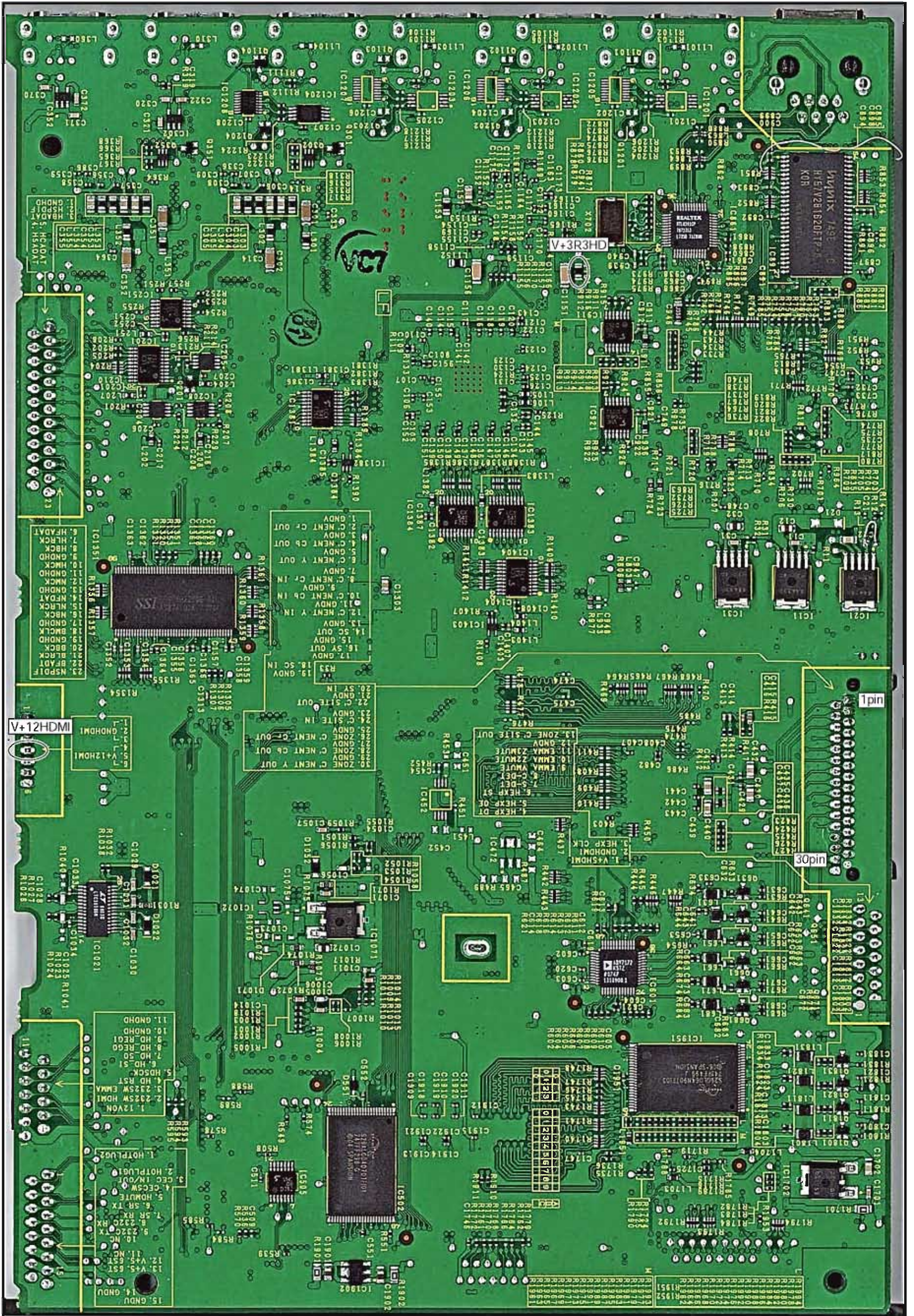




E HDMI NETWORK ASSY

SIDE A





[4] Diagnosis of The Network Block

1) Constitution of network function

CD --- -- HDMI4 ---- HOME MEDIA GALLERY -- XM RADIO

- USB or iPod
- Internet Radio
- Neural Music Direct -> Internet radio run by Neural
- Server1
- Server2
- Server3
- Favorites
- Setup

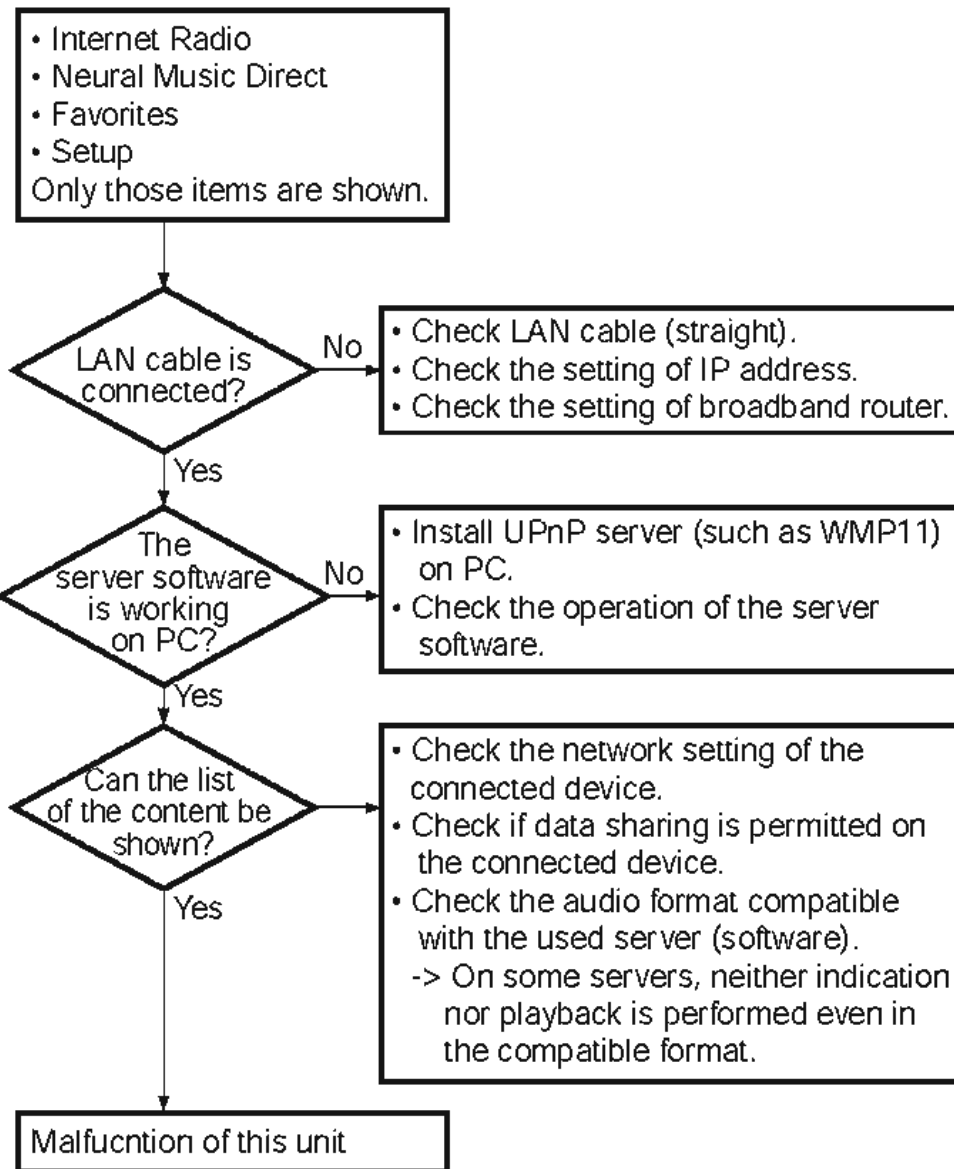
Information

- Firmware Version -> Indicates the version of the firmware.
- MAC Address -> Indicates MAC Address.
- IP Address -> Indicates IP Address.
- Gateway IP -> Indicates Gateway IP.
- Proxy Server -> Indicates if Proxy Server is valid or invalid.
- Subnet Mask -> Indicates Subnet Mask.

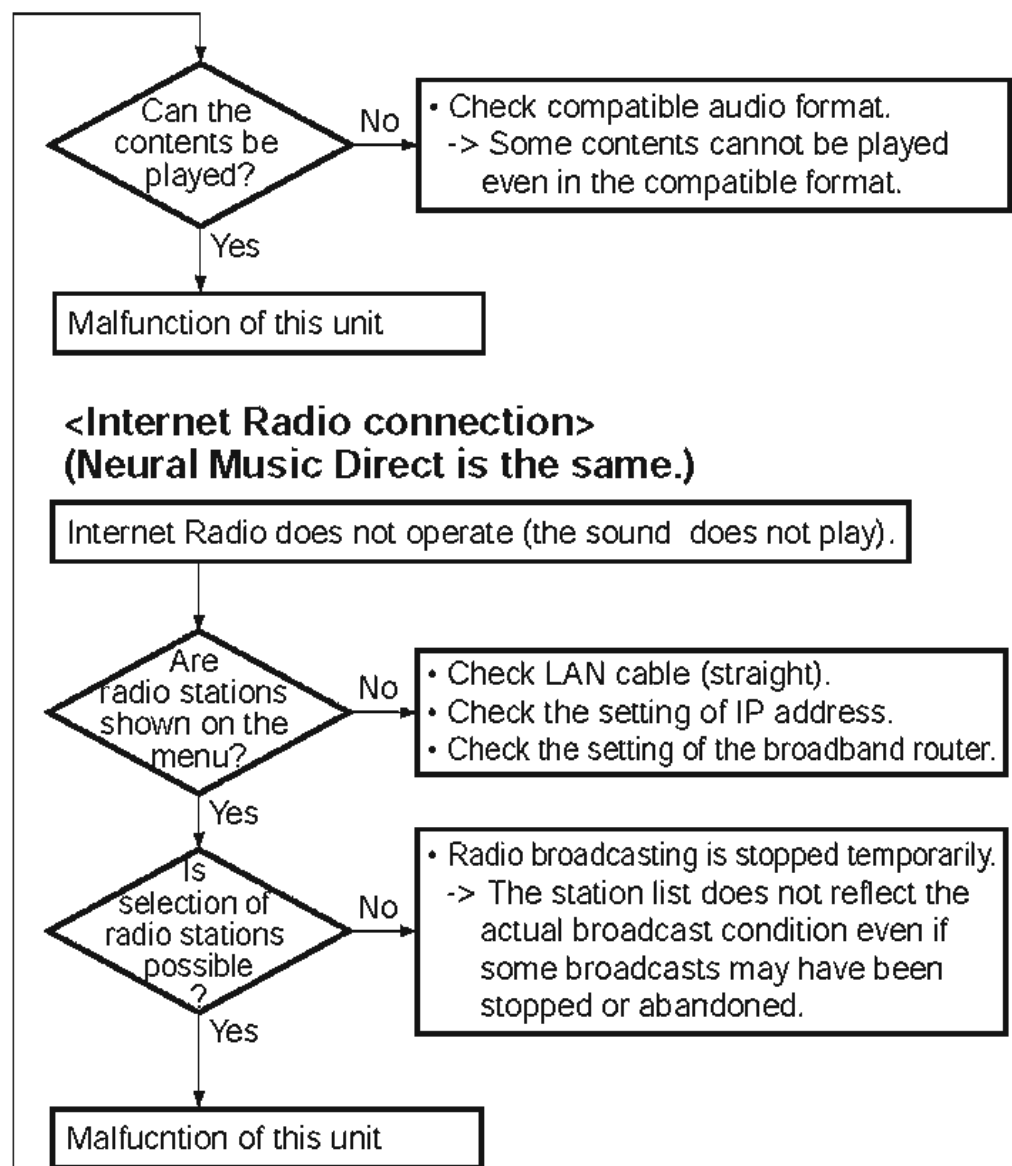
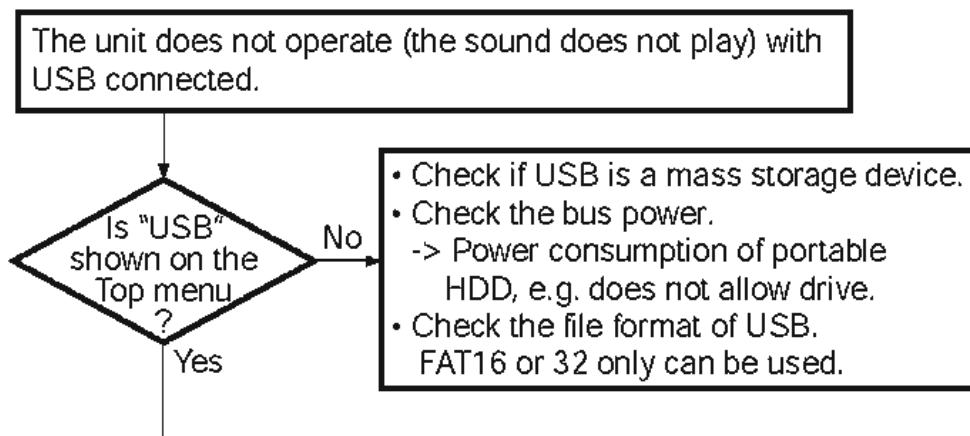
Network Setup

2) Flow chart for isolation of network malfunction

<Network connection>

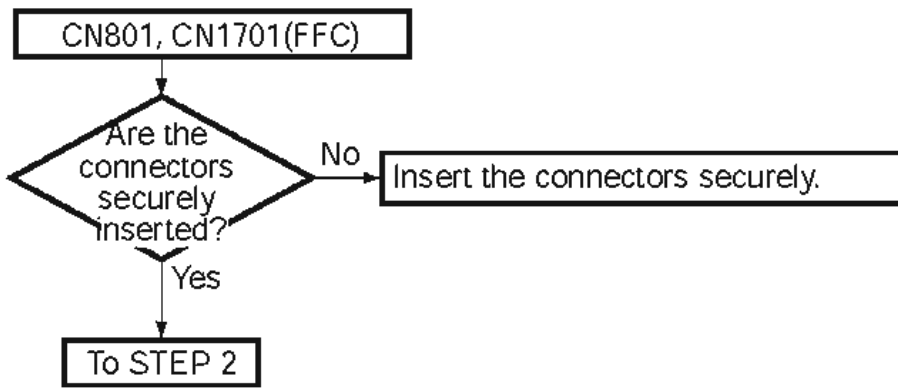


<USB connection>

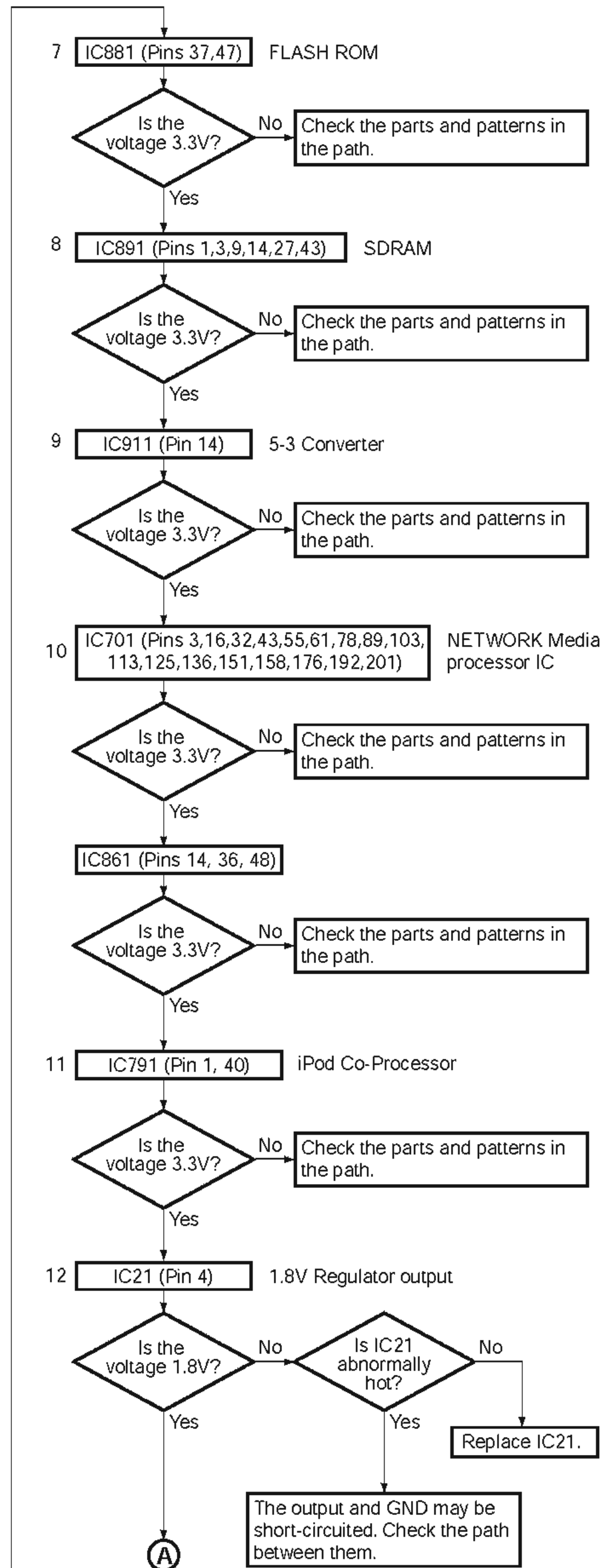
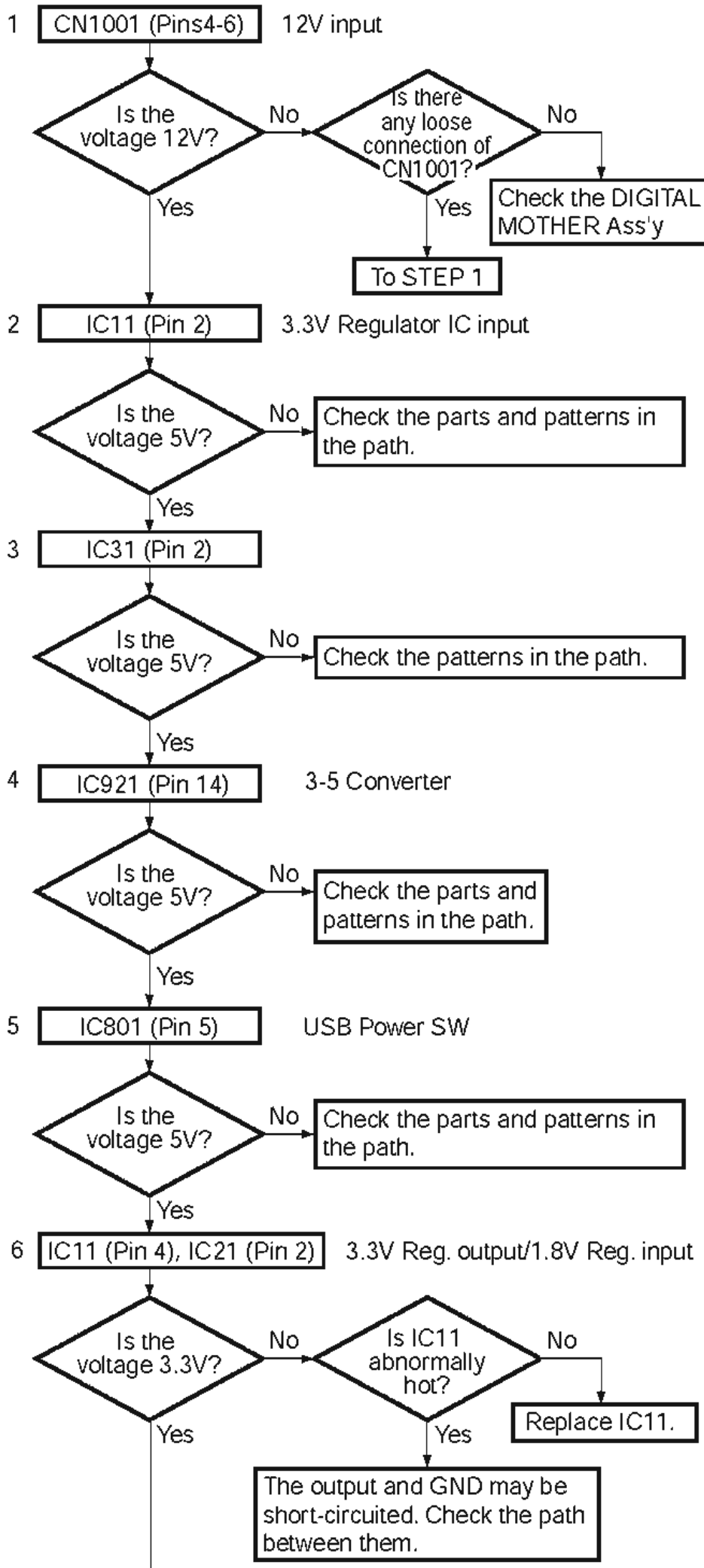


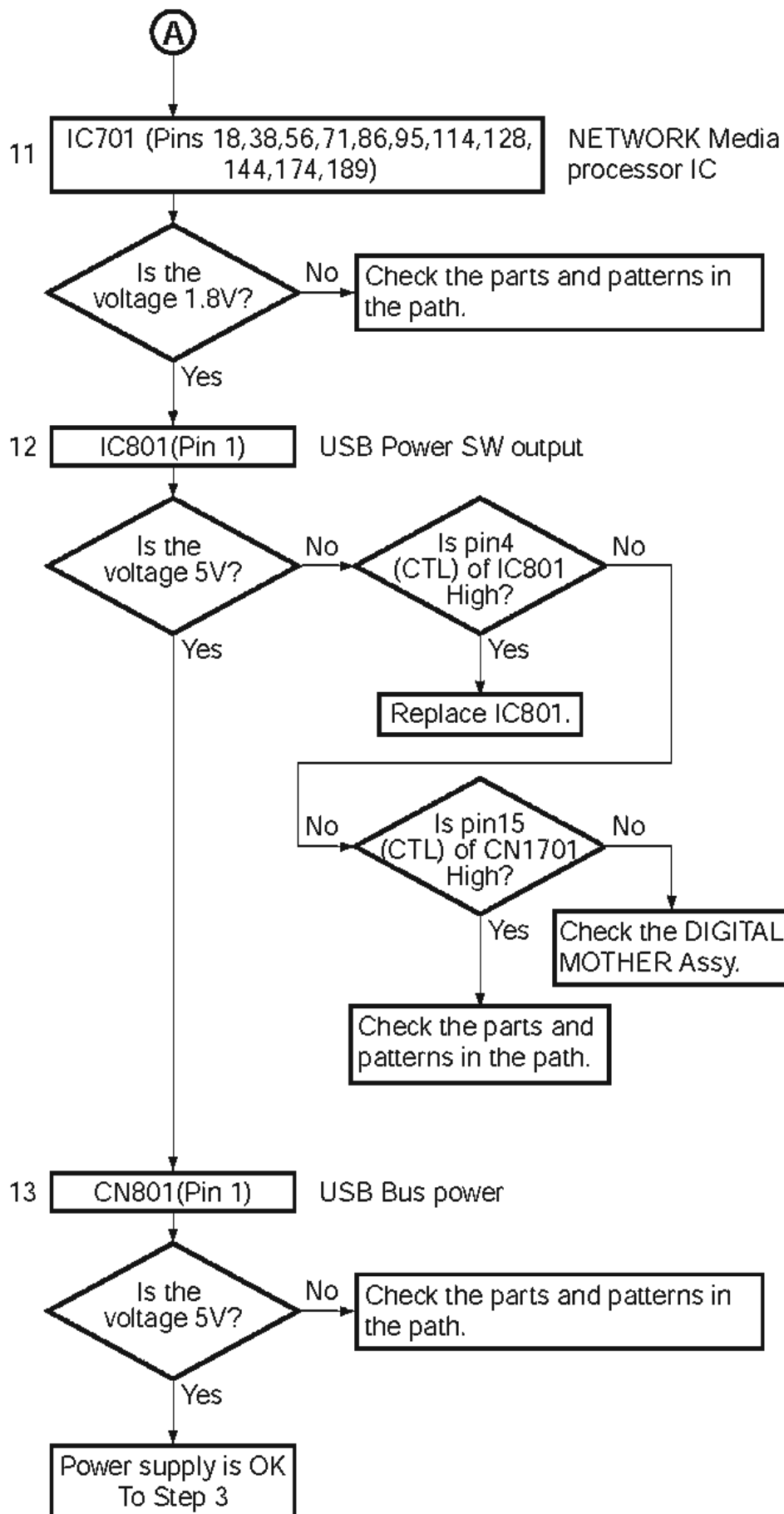
3) Network block troubleshooting

Step 1: Connectors



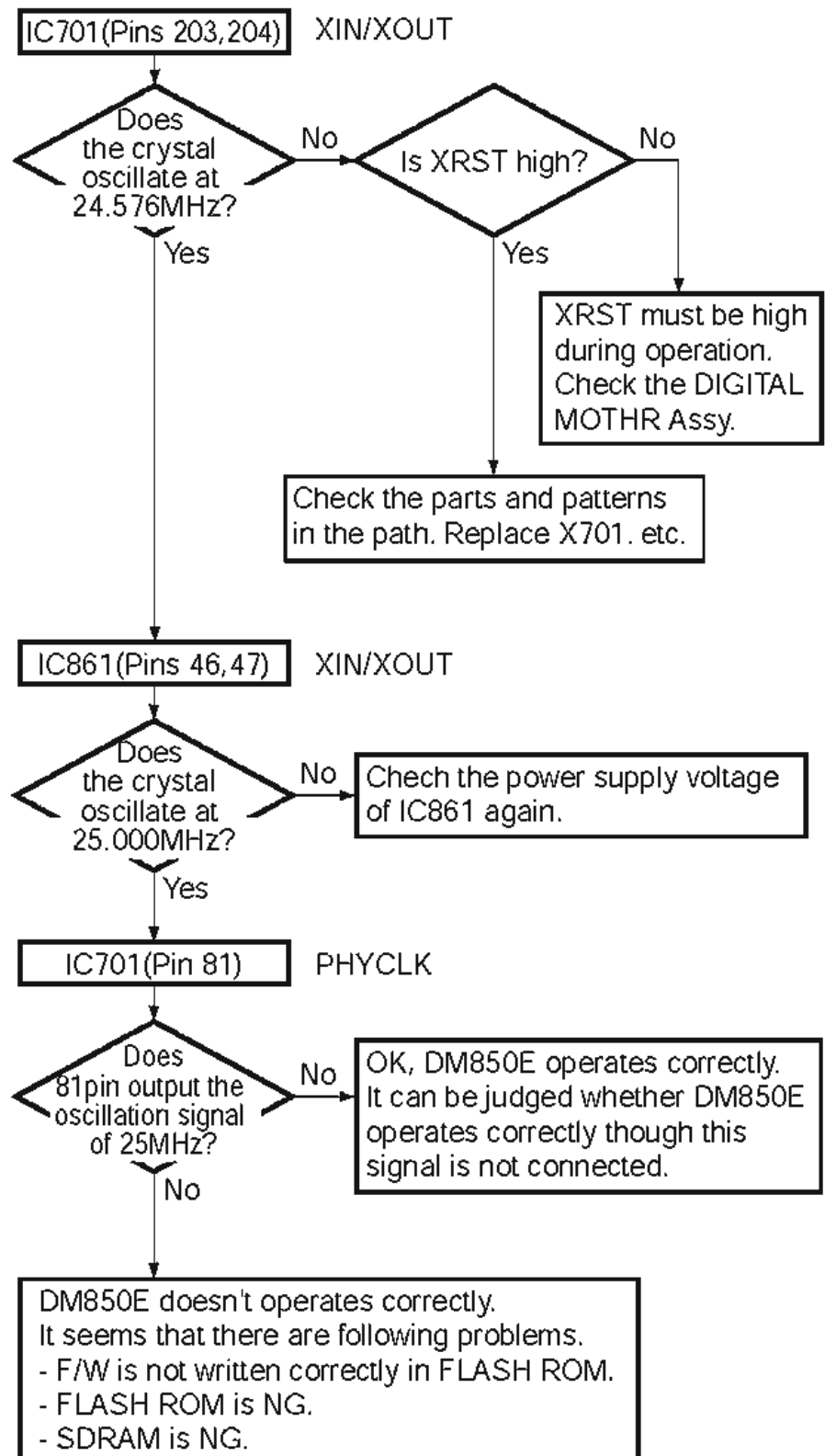
Step 2: Power supply





Step 3: Operation of Network Media processor IC

*Please confirm it with the USB memory connected for the content.



Step 4 : Communication between DM850E and System CPU

The signal shown by following fig are communication line of DM850E and main CPU(IC2001).

Confirm the connection of the signals along these routes.

fig. 1

	CN901	IC911 (5V -> 3V)	IC701
XRST	Pin 12	Pin 12	Pin 11
SPI CS	Pin 21	Pin 2	Pin 3
SPI CLK3	Pin 14	Pin 5	Pin 6
SPI MOSI	Pin 18	Pin 9	Pin 8

fig. 2

	IC701	IC921 (3V -> 5V)	CN901
SPI MISO	Pin 146	Pin 9	Pin 8
SPI REQ3	Pin 100	Pin 5	Pin 6

Step 5 : Communication between DM850E and System CPU

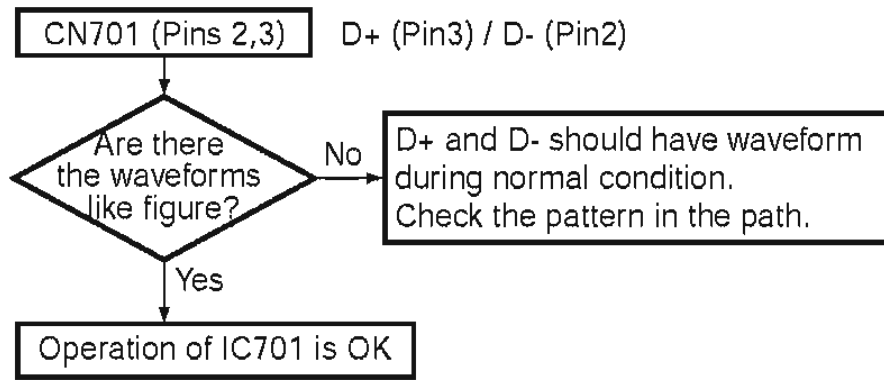
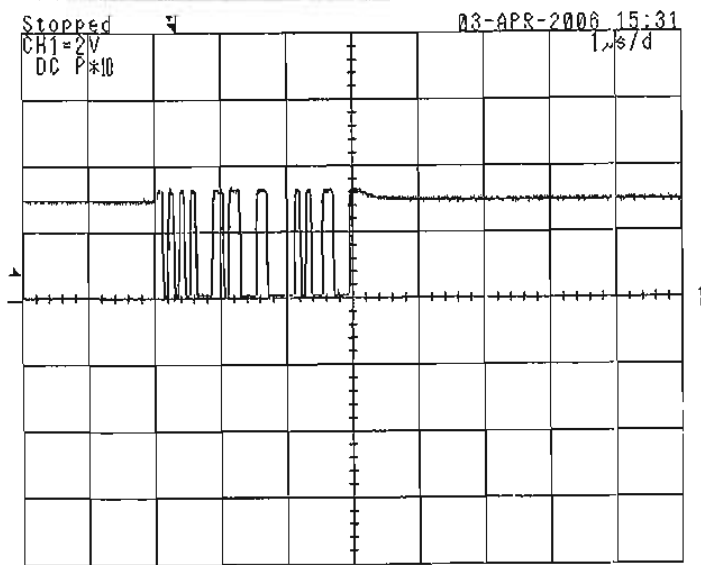
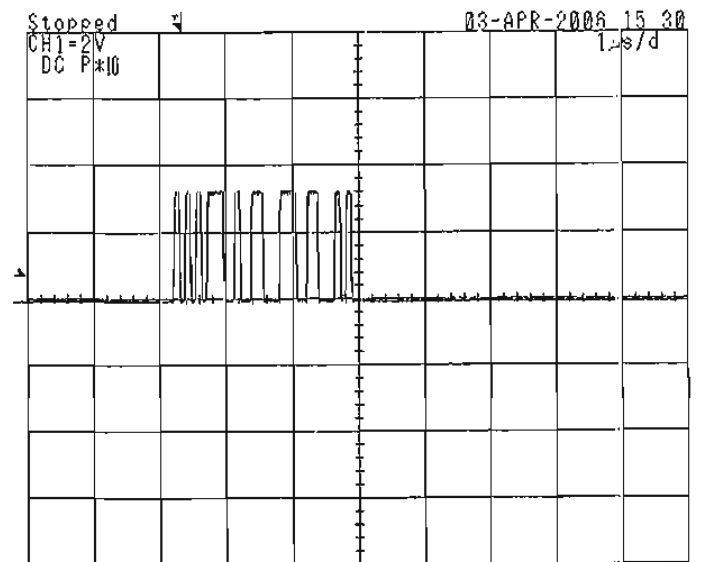


fig. : D+



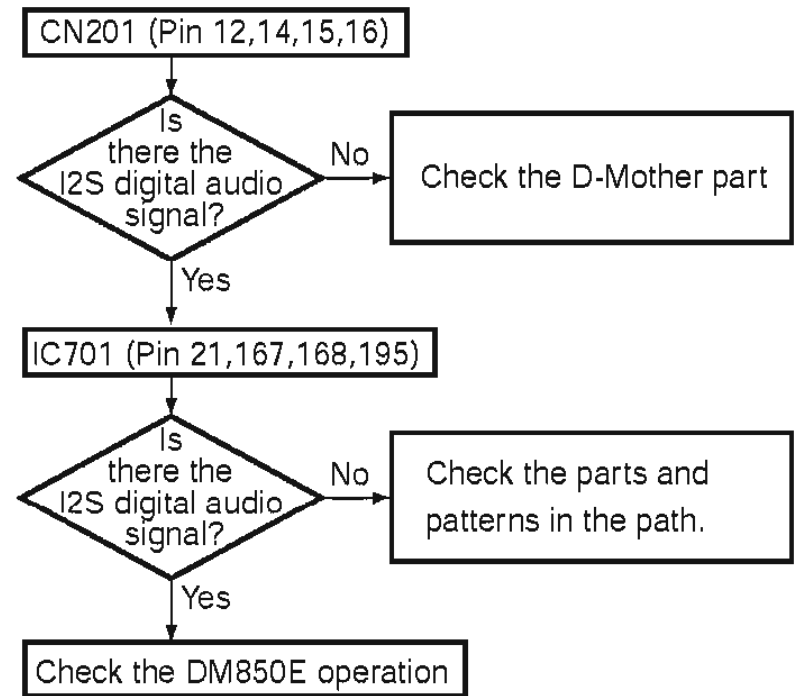
X : 1usec/div, Y : 2V/div

fig. : D-

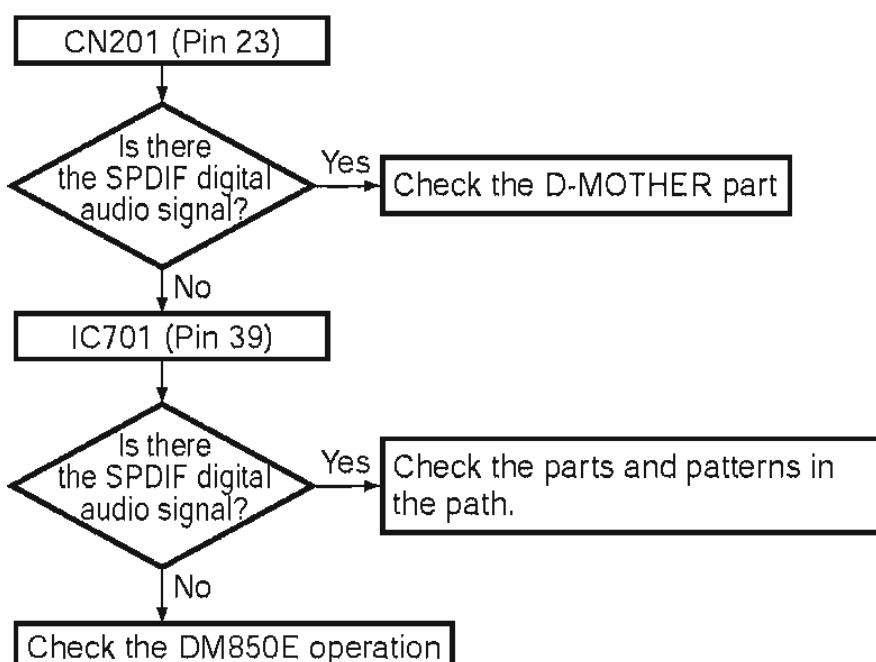


X : 1usec/div, Y : 2V/div

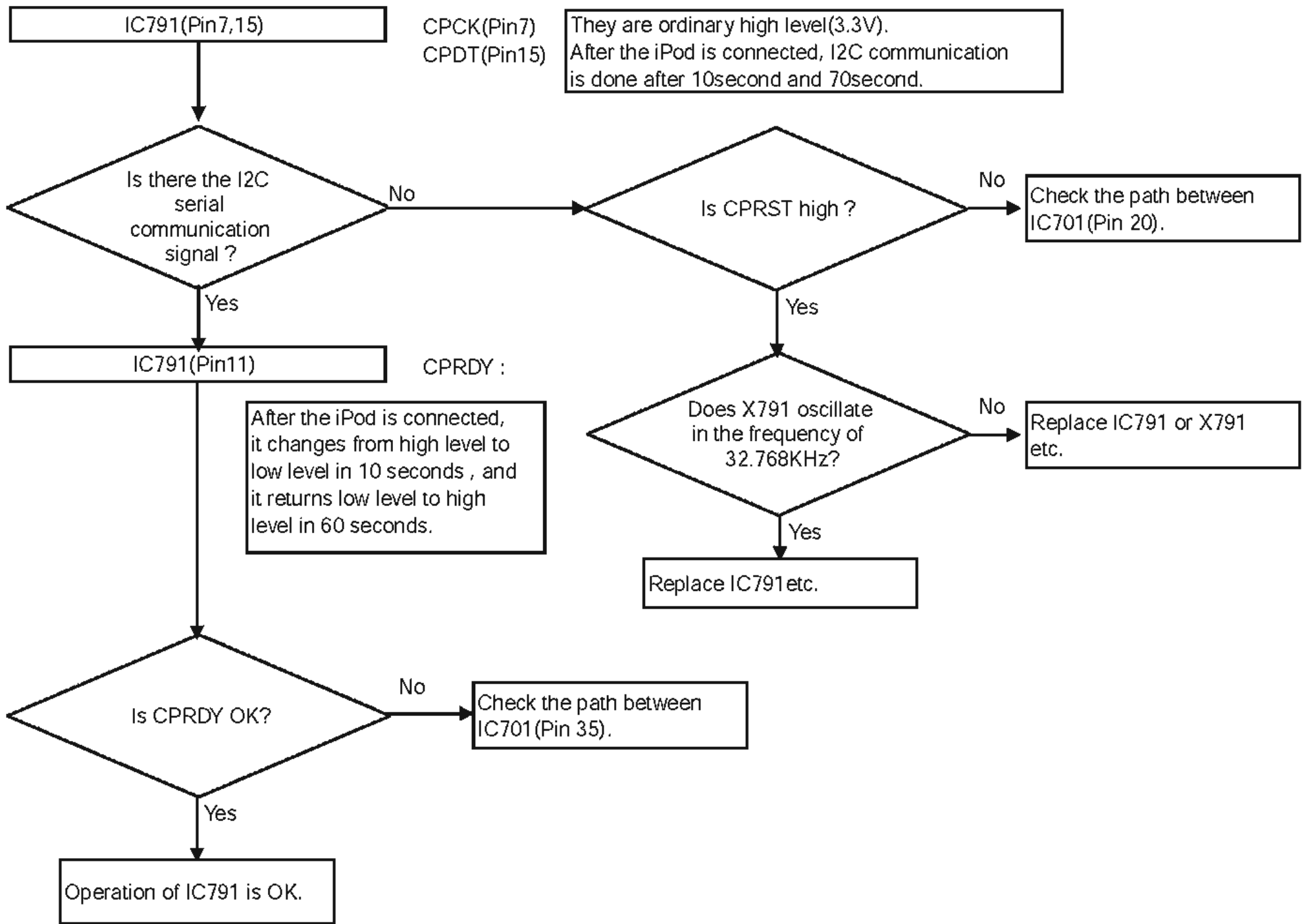
Step 7 : Audio Output (Zone2)



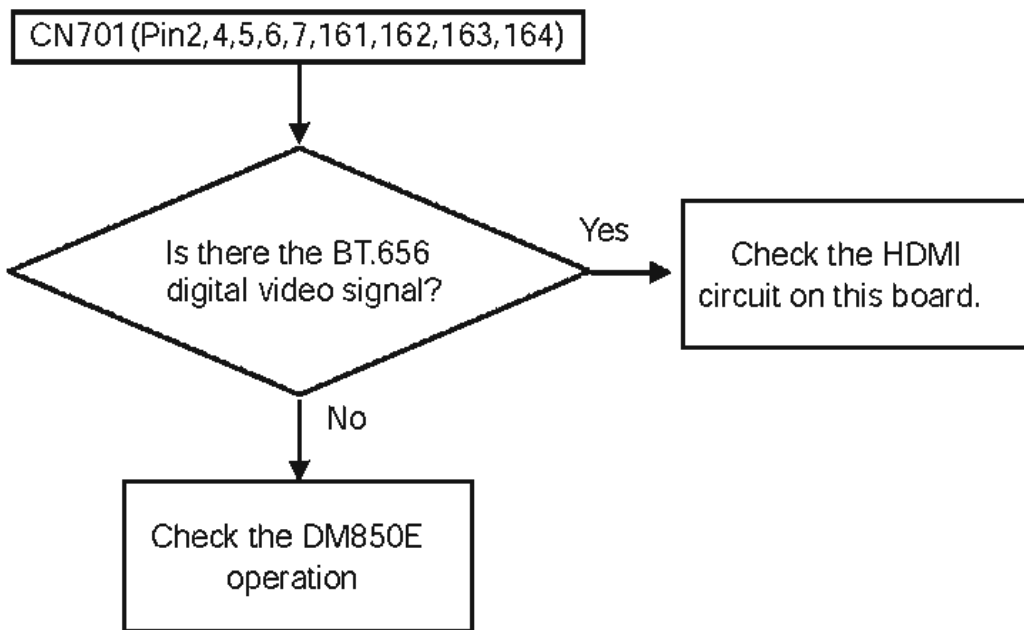
Step 6 : Audio Output



Step 8 : Communication between DM850E and iPod Co-Processor



Step 9 : Photo Image Output



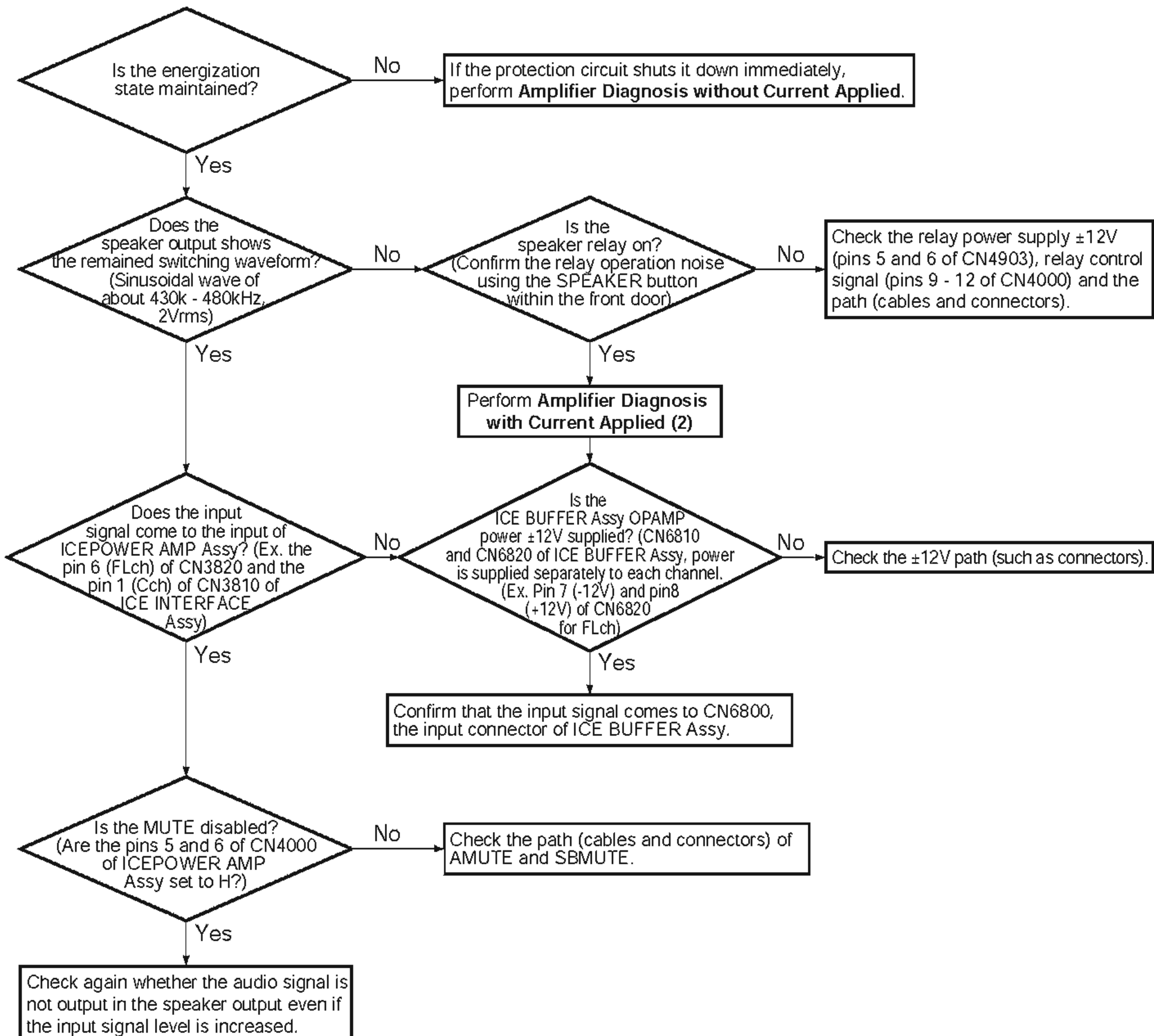
[5] Power Amp Section Troubleshooting

In the speaker output, the sinusoidal wave of about 430k - 480 kHz 2Vrms (when immediately after the current is applied with no signal/no load; the switching frequency varies by the connected load, signal level and the energizing time) is always output. It is the switching waveform ($\pm 64V$ square wave) in the output stage that has been attenuated through LPF. If such remained waveform can be observed, it can be assumed that the amplifier is operating normally.

When a signal is input to the amplifier, the output signal of the speaker shows the waveform such that the remained switching waveform is superimposed onto the audio signal. Note that when the input signal level is extremely small, it may not be easy to confirm the audio element since it is buried in the remained switching waveform (approximately 2Vrms).

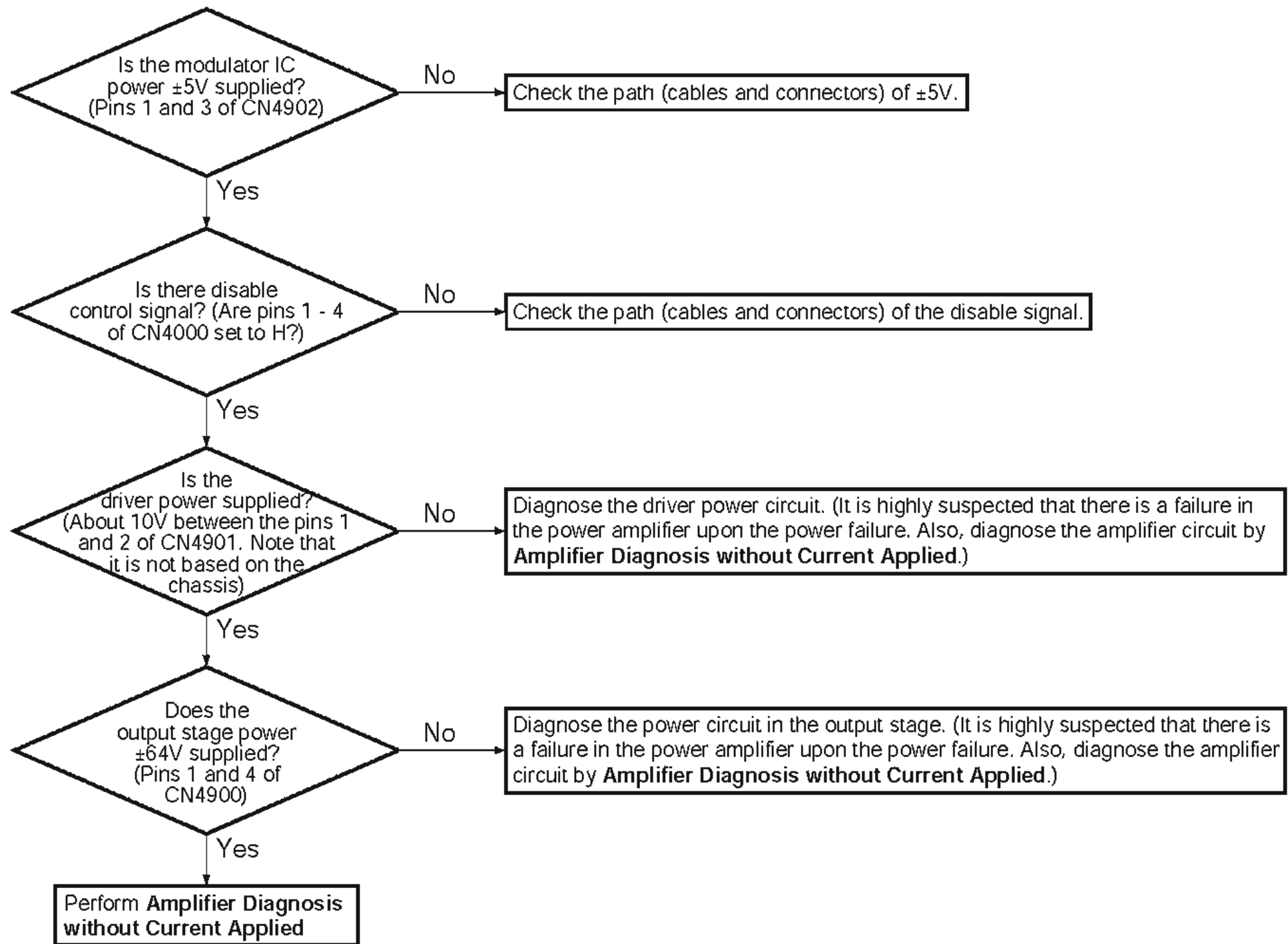
When no sound is produced with a specific function or sound mode, it is not caused by a failure in the power amplifier block. When there is a failure in the power amplifier block, no sound is produced with every function. It is recommended to set the speaker setting to "LARGE" for all the channels and the function to "MULTI CH IN" when examining the power amplifier.

Amplifier Diagnosis with Current Applied (1)



Amplifier Diagnosis with Current Applied (2)

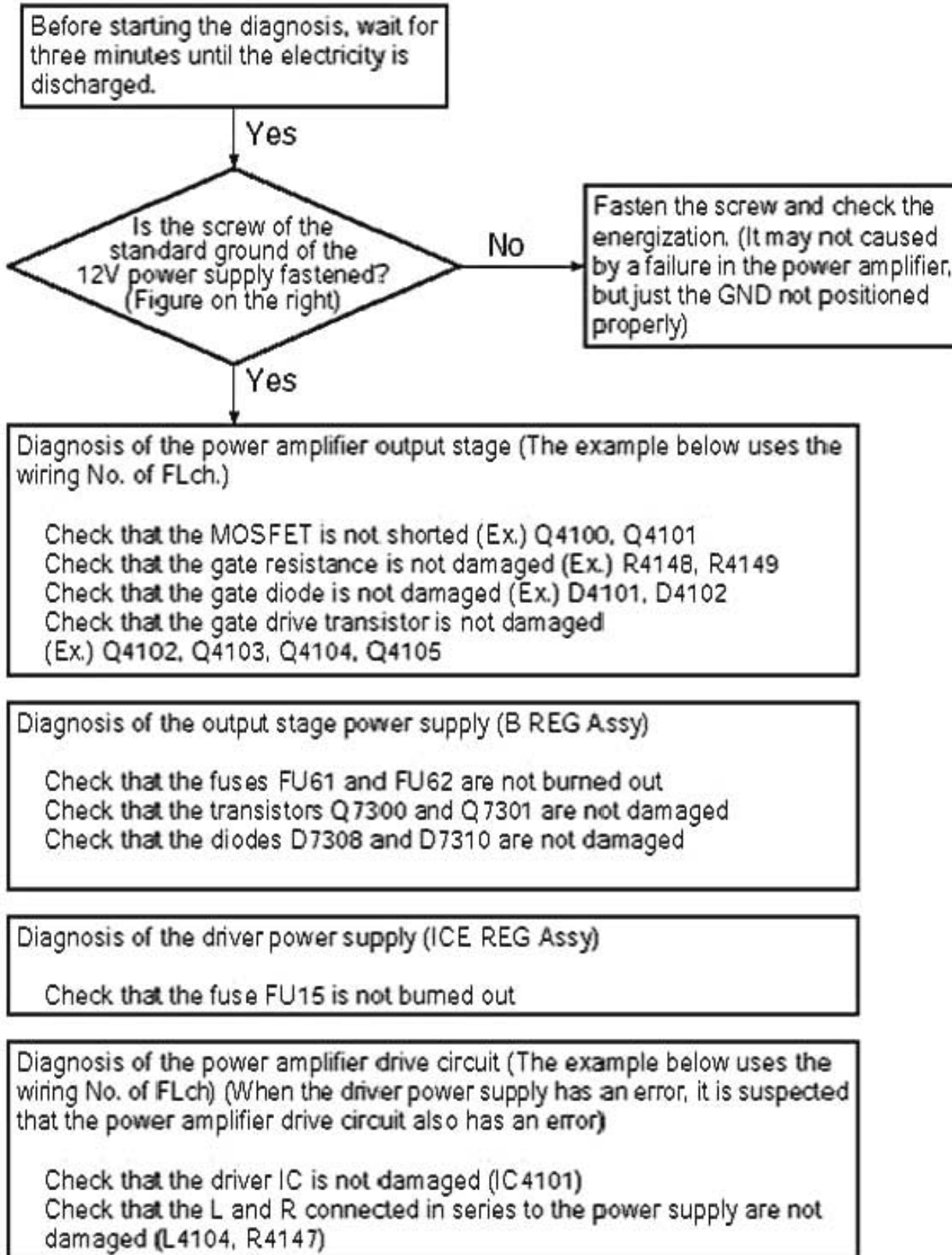
When the remained switching waveform is not observed in the speaker output, the amplifier is not operating. Here, confirm that the power and signal necessary for the amplifier to operate are supplied.



Amplifier Diagnosis without Current Applied

The most common symptom of the power amplifier failure is the destruction of the power amplifier output stage or the power amplifier power circuit due to the heavy load, which is, for example, caused by short of the speaker terminal or the use of the non-guaranteed low impedance speaker.

If the protection circuit immediately shuts it down immediately after the current is applied, it is highly likely that it is the above symptom. The procedure to diagnose/repair without applying current is shown below.



(Closeup)



[6] Diagnosis of The XM Radio

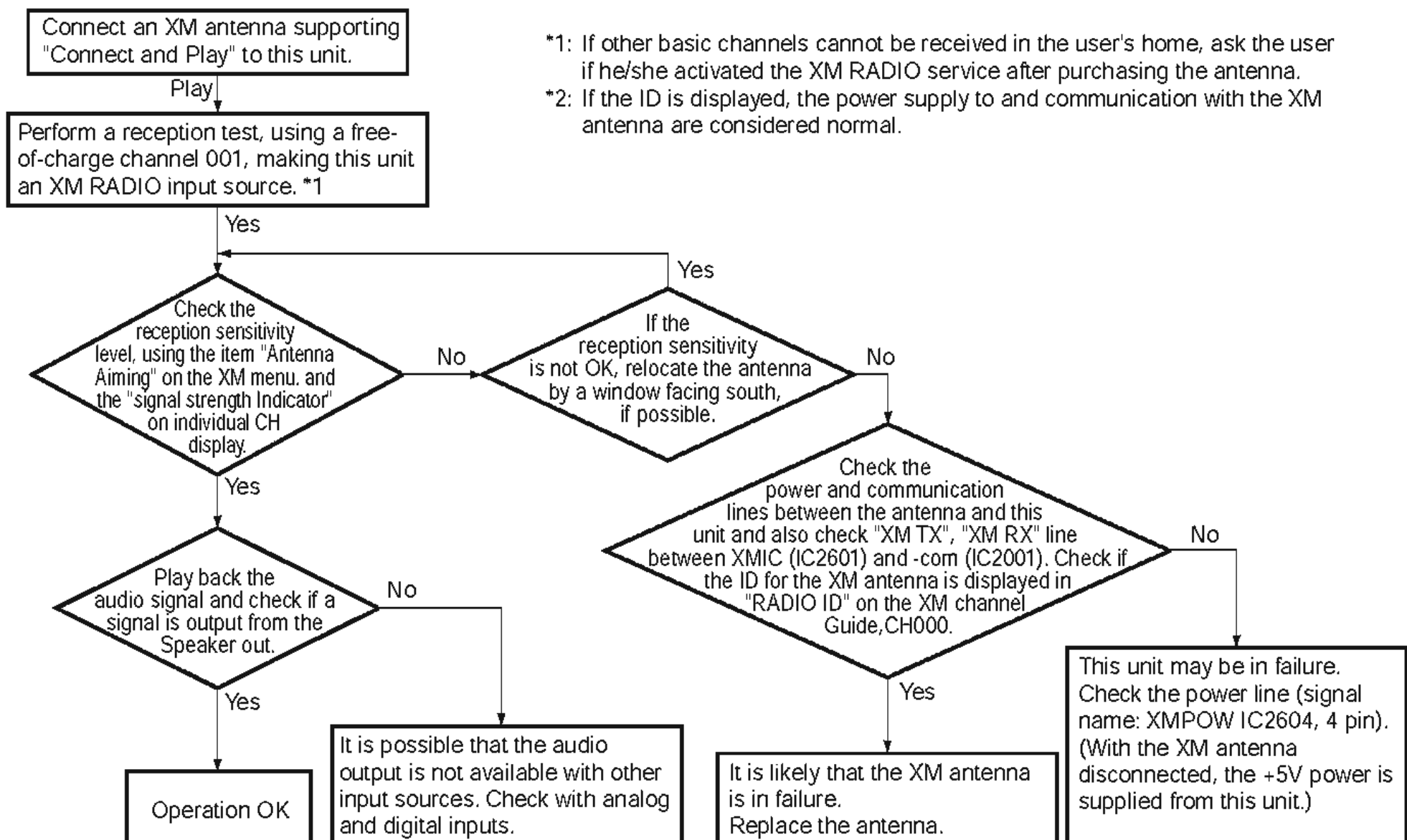
1) Products used for receiving XM Satellite Radio service

A commercially available "Connect and Play Antenna" can be used with this unit. To activate the XM RADIO service, it is necessary to receive a broadcast using your "Connect and Play Antenna."

2) About XM messages

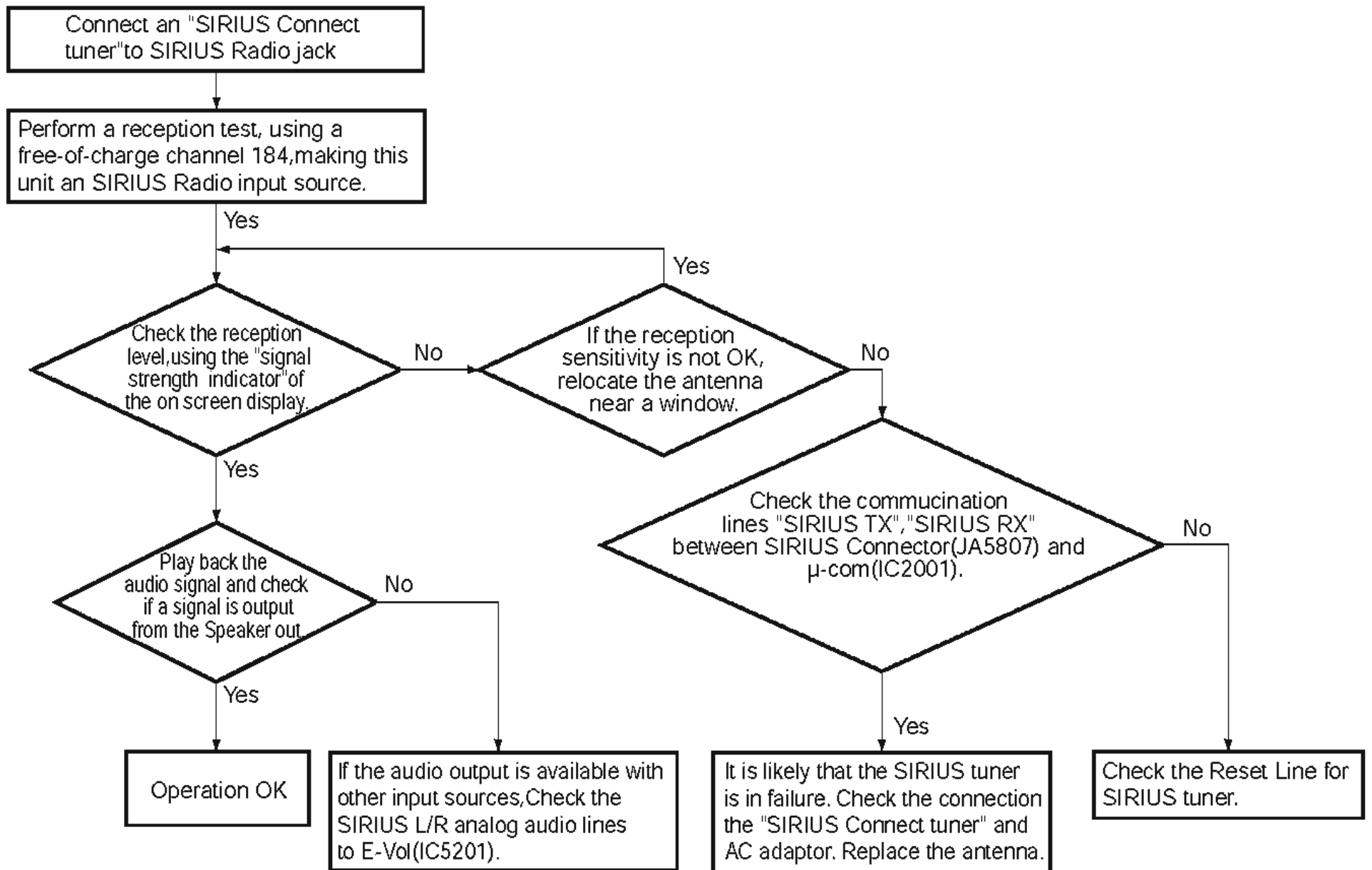
Symptom	Cause	Measures
Check Antenna	An XM antenna is not connected.	Check whether the XM antenna cable is securely connected.
XM Power Error	A short-circuit is occurring in the XM antenna or the surrounding antenna cable.	Make sure that there is nothing unusual with the XM antenna or XM antenna cable. Turn the power off then back on.
Updating	The radio is being updated with the latest encryption code.	Wait until the encryption code is updated. Channels 00 and 01 should function normally.
No Signal	The XM signal is too weak at the current location.	
Loading	The unit is acquiring audio or program information.	Wait until the unit has received the information.
Off Air	The channel currently selected has stopped broadcasting.	Select another channel.
CH - - -	The user has selected a channel number that does not exist or is not subscribed to.	The receiver automatically switches to Channel 001 or a last-selected channel.
- - - - -	There is no artist name/feature (song/program title), or channel category is associated with the channel.	No action needed.

3) Operation check of XM RADIO function



[7] Sirius Block Troubleshooting

Step 1 : Connectors



SIRIUS radio messages

Symptom	Cause	Action
Antenna Error	Antenna is not properly connected.	Check that the antenna cable is attached securely.
Check Sirius Tuner	SIRIUS Connect tuner is not properly connected.	Check that the 8 pin mini DIN cable and AC Adapter are attached securely.
Acquiring Signal	The SIRIUS signal is too weak at the current location.	n/a
Subscription Updating	Unit is updating subscription.	Wait until the encryption code has been updated.
Updating Channels	Unit is updating channels.	Wait until the encryption code has been updated.
Invalid Channel	Selected channel is not available/does not exist.	Select another channel.

5.2 CIRCUIT DESCRIPTION

[1] Protection Circuit Process List

B REG Power Supply

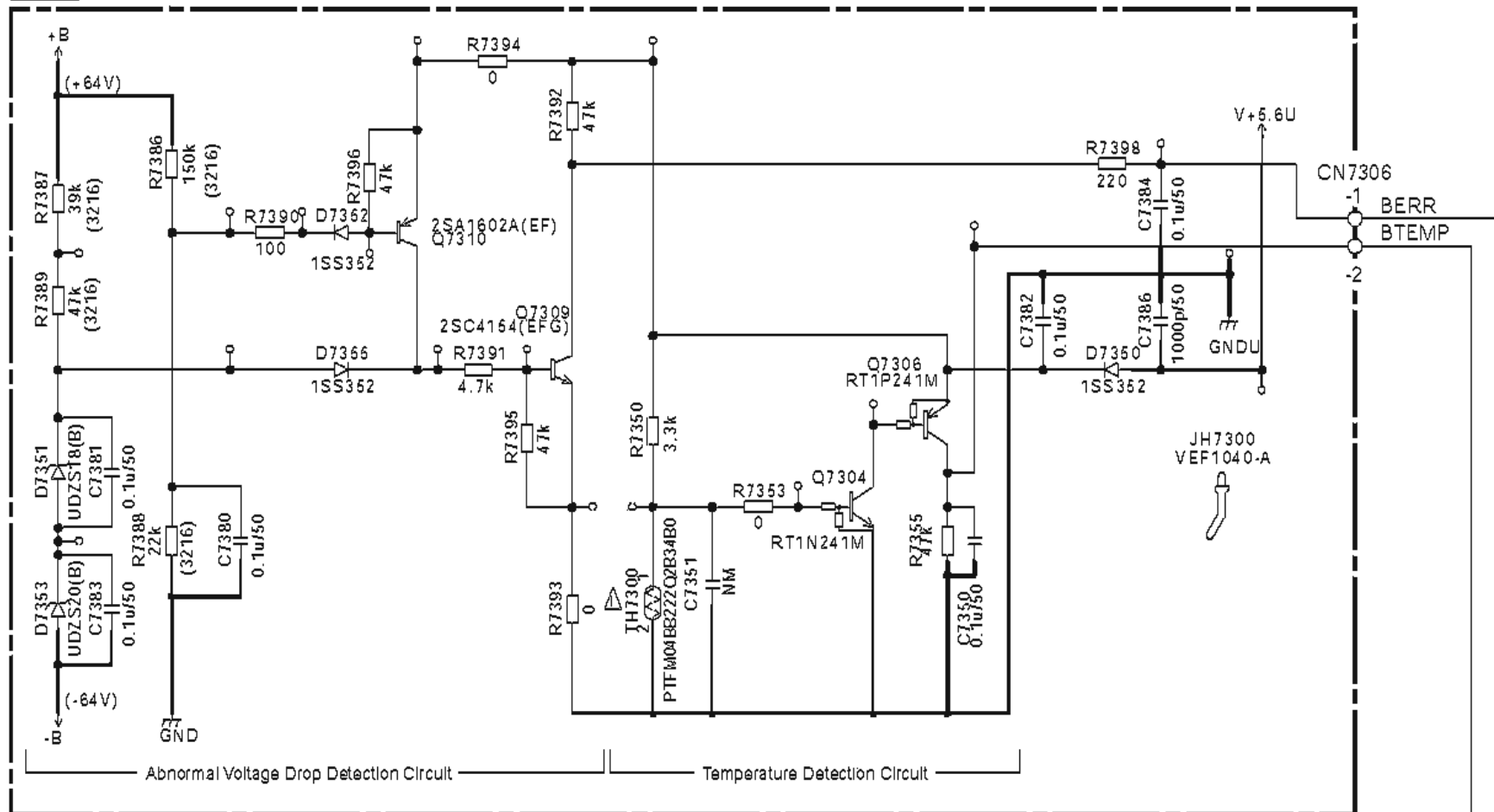
Item	Purpose	Detection Method	Status of Equipment	Warning Indication	Remarks
B REG power supply overheat detection	Detects overheat of transistor(s) in B REG power supply circuit	Detects when posistor detection temperature exceeds 120°C and BTMP port becomes "H". (IC2001 48pin)	Flashes "OVERHEAT" indicator. Shuts down at continuation for more than 3 seconds. LED indicator continues blinking.	"OVERHEAT" and 3 second flashing. Blinks ICE blue LED indicator.	Recoverable by power-on
B REG power supply failure detection	Detect abnormal voltage drop when B REG transistor(s) becomes failure	Detects output voltage of B REG power cuicuit decreases below 38V and BERR port becomes "L". (IC2001 47pin)	Shuts down	Blinks MCACC LED	Unrecoverable

Amplifier Circuit

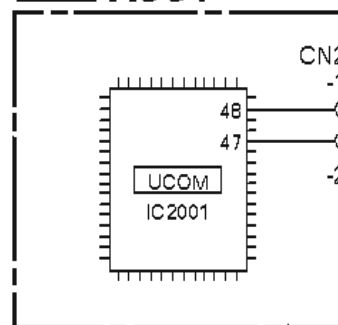
Item	Purpose	Detection Method	Status of Equipment	Warning Indication	Remarks
Overheat detection	Detects MOS FET temperature of amplifier output stage	Detects when TEMPERATURE PORT becomes "L" in case of the detecting temperature exceeds 95°C or rapid change by short cuicuit of speaker terminals. (IC2001 89pin)	Shuts down with FL indication of "AMP OVERHEAT". LED indicator continues blinking.	Indicates "AMP OVERHEAT". Blinks ICE blue LED indicator.	Recoverable by power-on
		Detects when MAXTEMP port becomes below 3.3V at NTC Thermistor detect circuit. (IC2001 91pin)	Fan rotates below 3.3V.		
DC detection	Detects DC of amplifier output (After LPF)	Detects when SP output exceeds DC \pm 7V and DCERR port becomes "L". (IC2001 90pin)	Let MUTE on, Speater Relay off and shuts down 3 seconds after to blink MCACC LED.	Flashes "AMP ERR"indicator. Blinks MCACC LED	In case of detecting DC abnormality during power-on sequence after detecting DC. Unrecoverable
			Let MUTE on, Speater Relay off and shuts down 3 seconds after to blink ICE blue indicator.	Flashes "AMP ERR"indicator. Blinks ICE blue LED indicator.	In case of detecting DC abnormality during normal operation. Recoverable by power-on after 1 minute.
Fan abnormality detection	Detects a Fan not rotating by loose connector or Fan lock when controlling the Fan rotation	Detects when FANDET port becomes "L". (IC2001 88pin)	Shuts down when abnormality continues for more than 3 seconds.	Flashes "FAN STOP"indicator. Blinks Digital Video Scaler LED	Recoverable by power-on
Sobel detection	Protects overcurrent by Sobel Resistance when high power output of higher frequency continued	Detects OLERR port becomes "L". (IC2001 17pin)	Shuts down	Blinks PHASE CONTROL LED	Recoverable by power-on
Overcurrent detection	Protects overcurrent of MOS FET in output stage when overcurrent flows at the output stage	Detects OLERR port becomes "L". (IC2001 17pin)	Shuts down	Blinks PHASE CONTROL LED	Recoverable by power-on
Low Voltage detection (Amplifier power supply)	Detects low voltage when amplifier power supply voltage (normally \pm 64V) becomes below \pm 42V	Detects OLERR port becomes "L". (IC2001 17pin) AMP_Overload DET	Shuts down	Blinks PHASE CONTROL LED	Recoverable by power-on
Low Voltgae detection (Modulator IC)	Detects low voltage of modulator IC power supply (normally \pm 5V) becomes below \pm 2 - 3V	No micro-computer detection exists.	No micro-computer control but modulator IC stops by itself.		Recoverable by power-on

B REG Power Supply Overheat Detection
B REG Power Supply Failure Detection

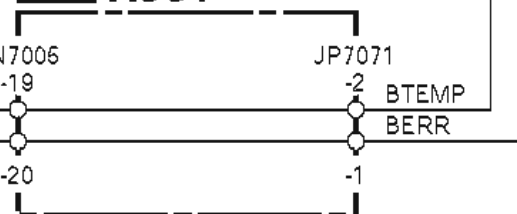
Y B REG ASSY



B D-MOTHER ASSY

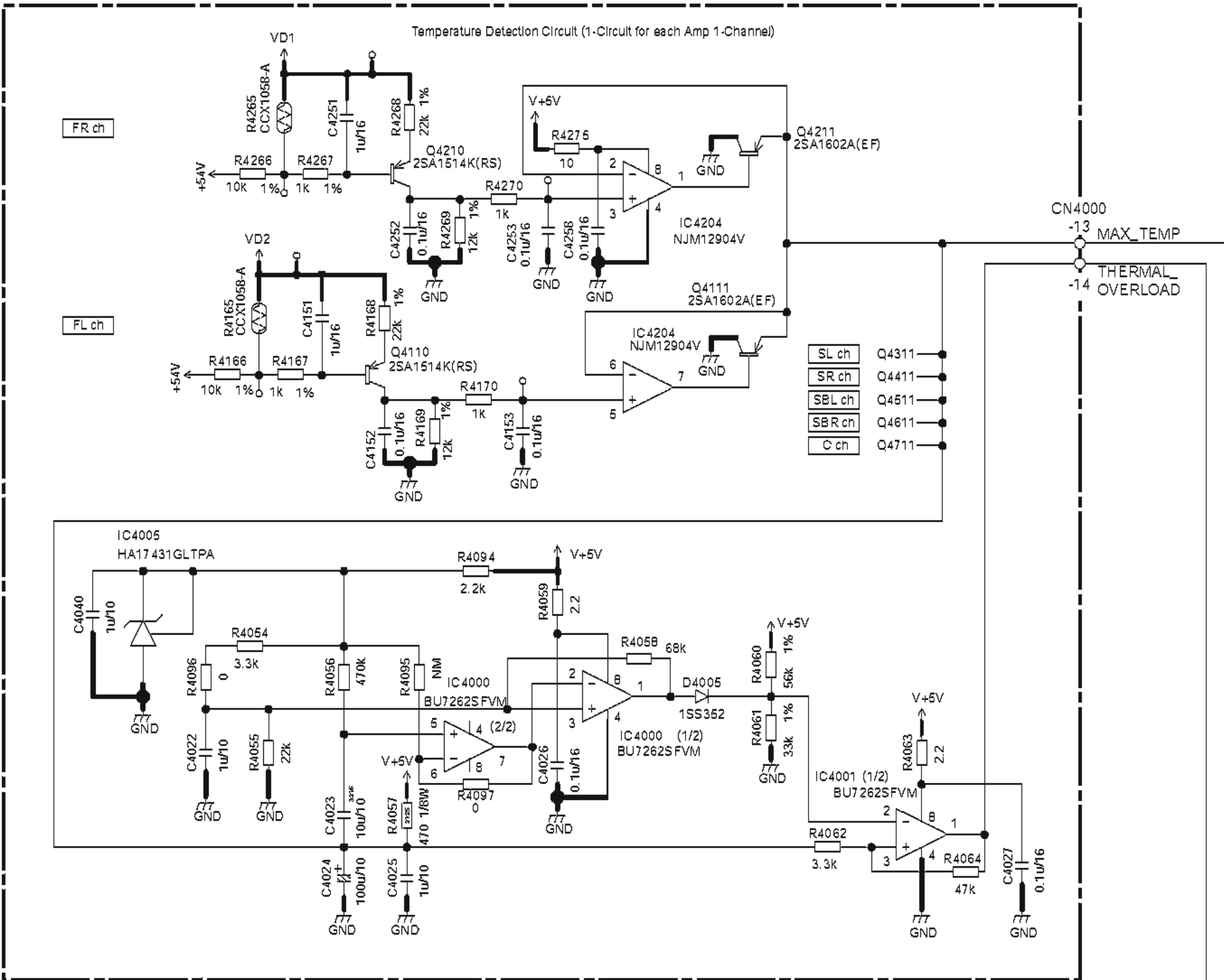


F INTERFACE ASSY



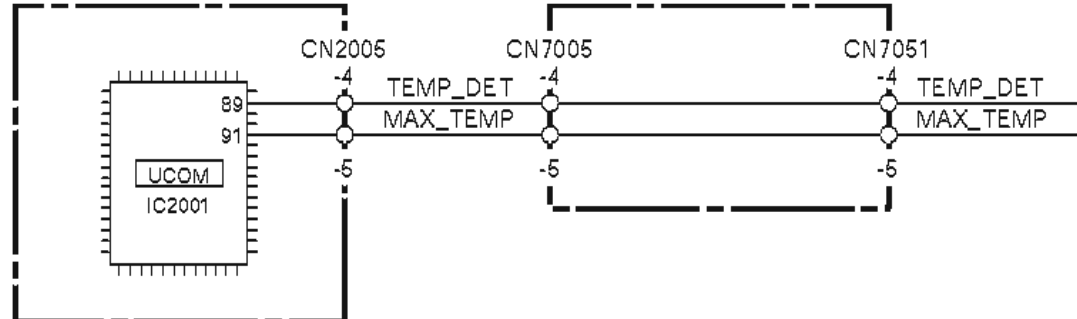
Overheat Detection

Q ICEPOWER AMP ASSY



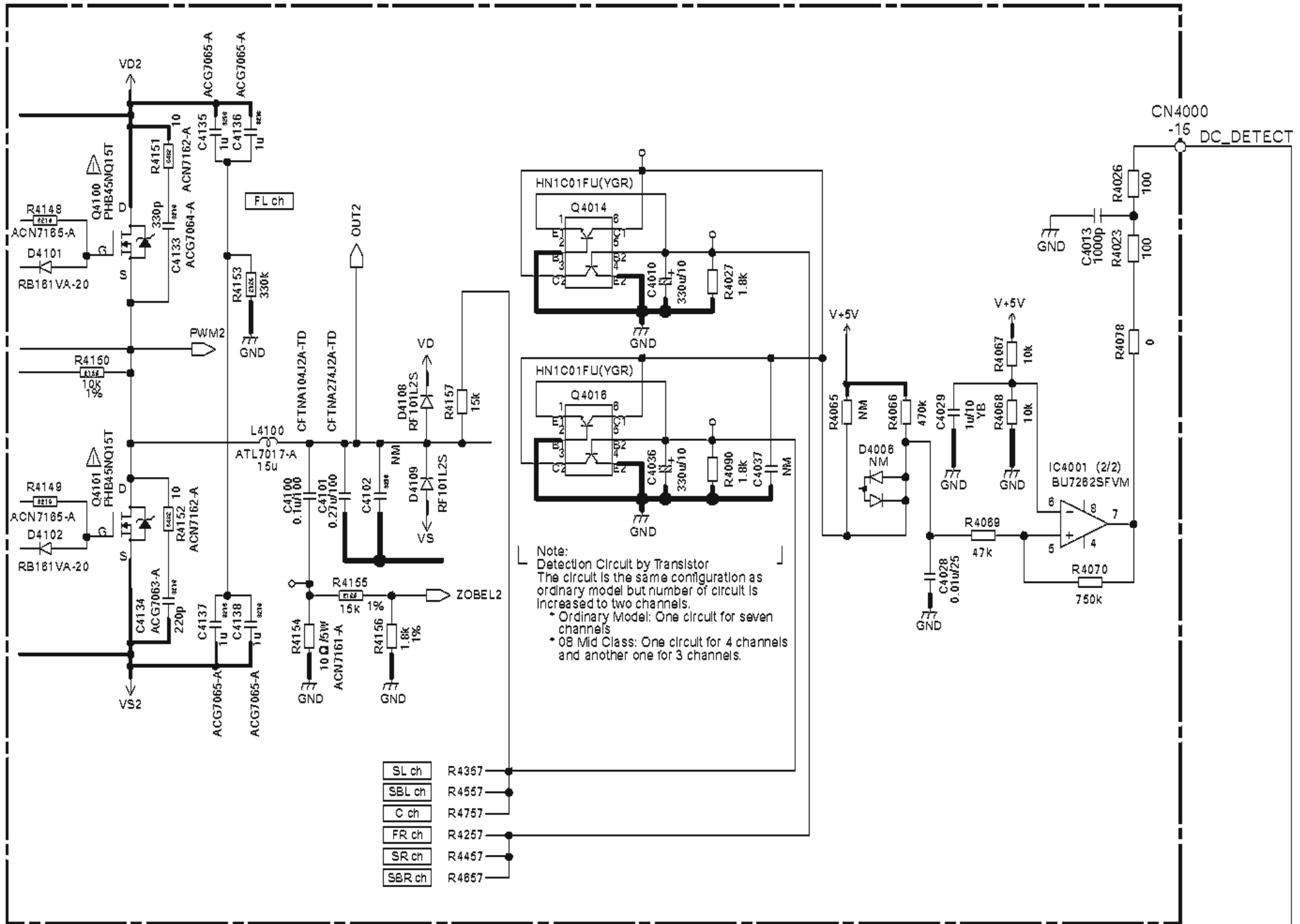
B D-MOTHER ASSY

F INTERFACE ASSY

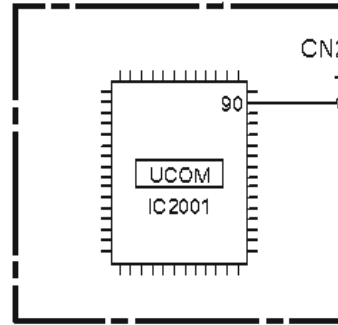


DC Detection

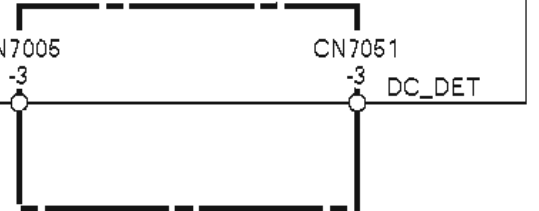
Q ICE POWER AMP ASSY



B D-MOTHER ASSY

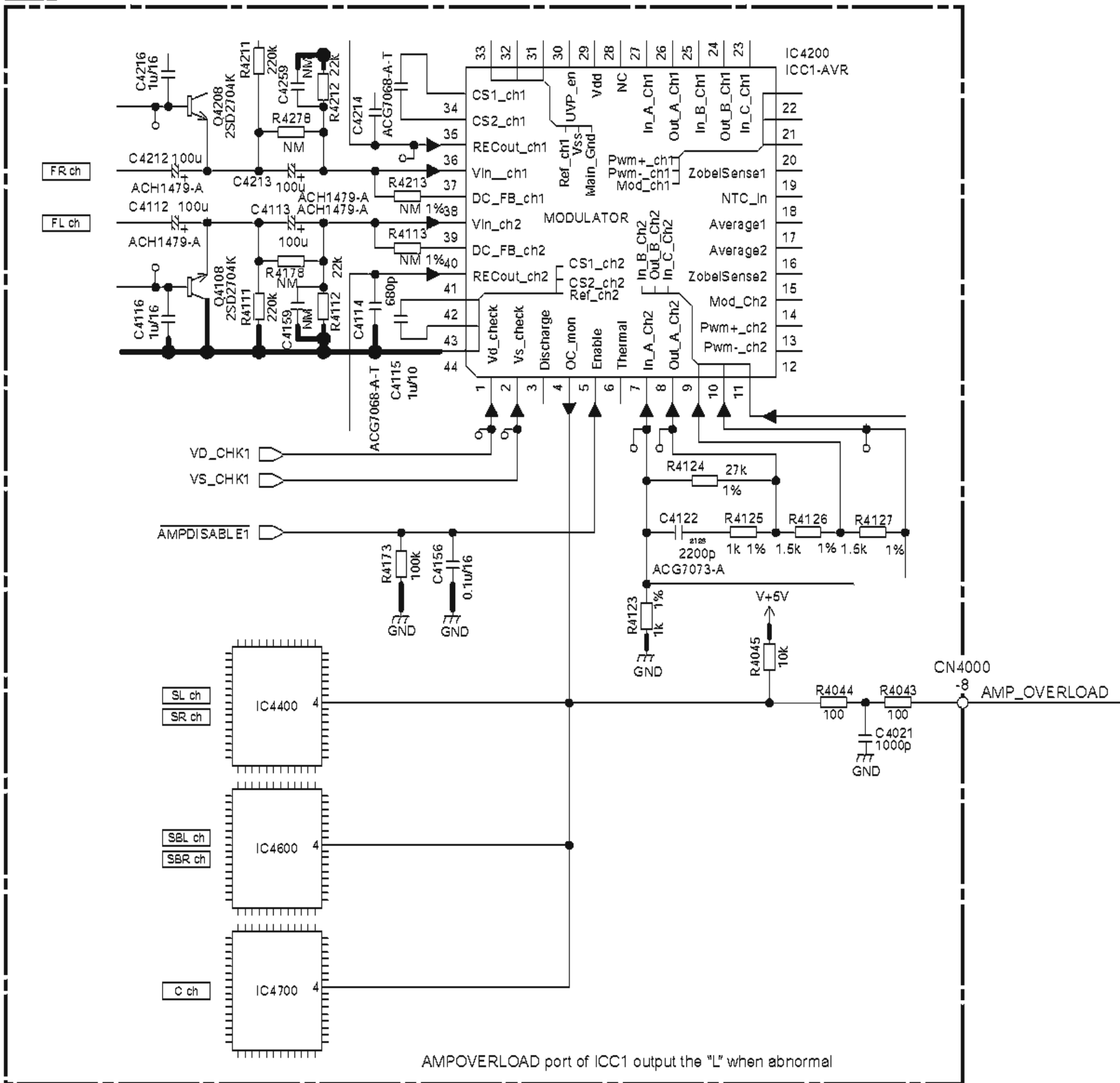


F INTERFACE ASSY

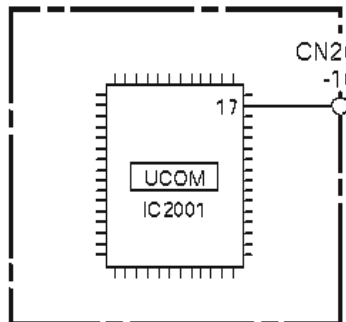


Sobel Detection
Over Current Detection of MOS FET in Output Stage

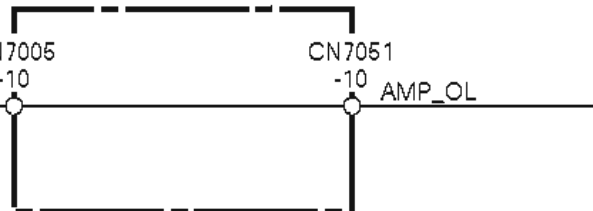
Q ICEPOWER AMP ASSY



B D-MOTHER ASSY

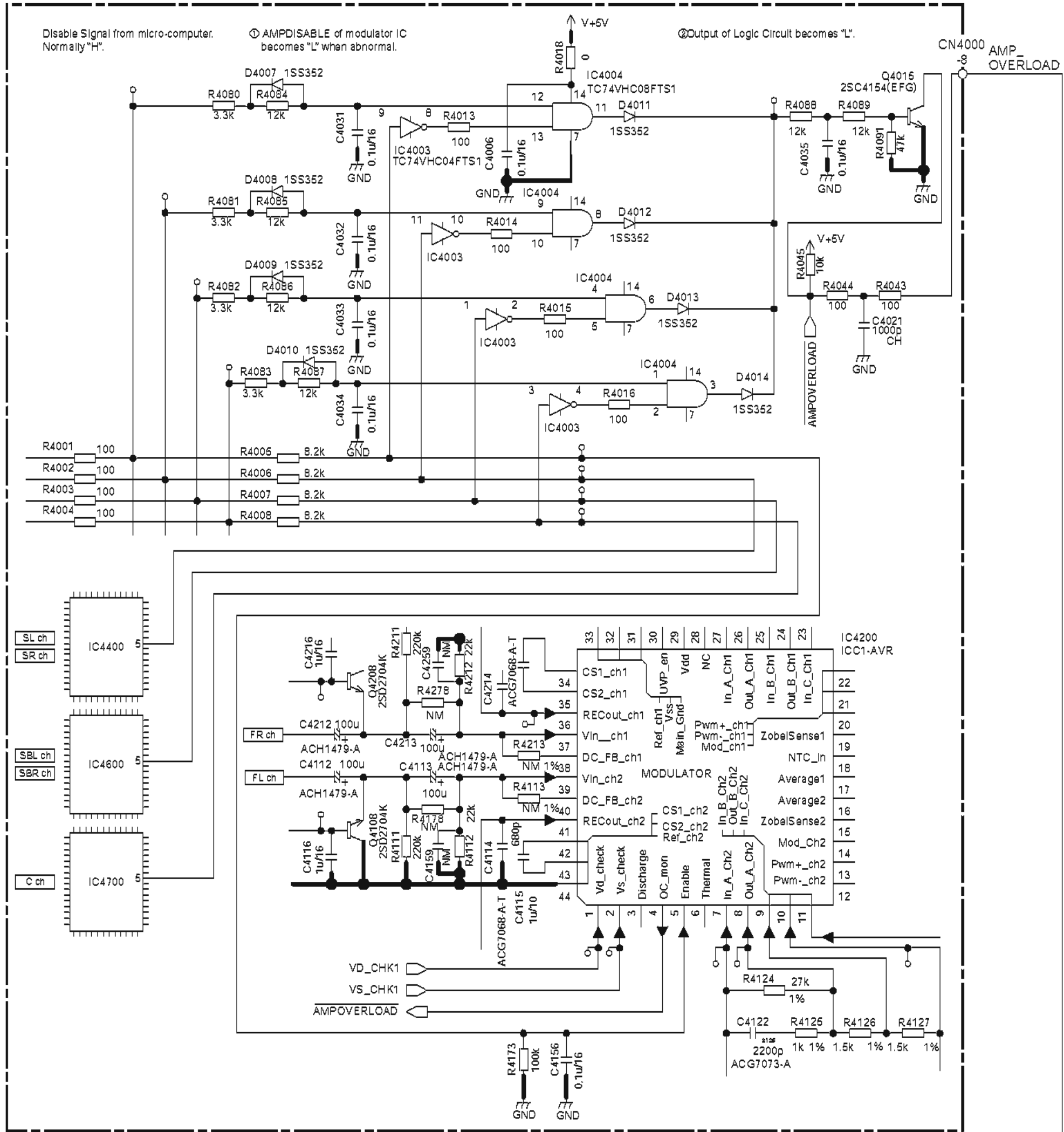


F INTERFACE ASSY

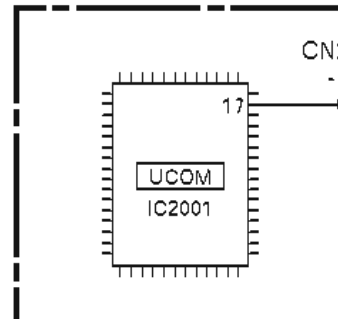


Low Voltage Detection for Amplifier Power Supply

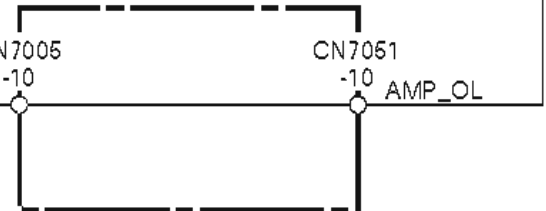
Q ICEPOWER AMP ASSY



B D-MOTHER ASSY



F INTERFACE ASSY



[2] Error Indications When an Abnormality in The Amplifier System Is Detected

[Purpose]

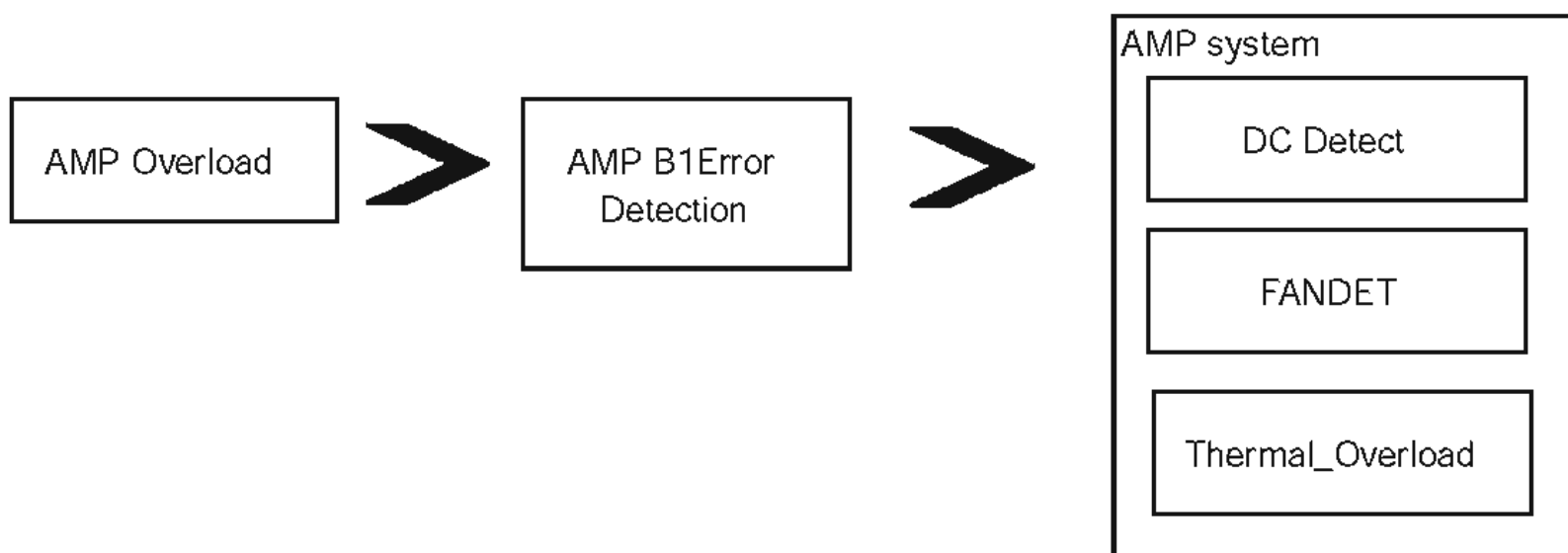
Errors upon detection of abnormalities in the amp system are indicated.

[Error Indications]

	FL Display	LED flashes	Status	Timing (sec.)	Remarks
(1)	AMP ERR	ICE Blue LED	When the AMP DC is detected during normal operation.	FL flashes 3 times. LED flashes after the power off.	
		MCACC LED	When the AMP DC is detected during power-on sequence after the DC output was once detected.	FL flashes 3 times. LED flashes after the power off.	
(2)	NA	PHASE CONTROL	When an abnormality of electric current of output stage is detected.	LED flashes after the power off.	
(3)	NA	PHASE CONTROL	When an abnormality of overheat of output stage is detected.	LED flashes after the power off.	
(4)	FAN STOP	VIDEO SCALER	When an abnormality is detected in the fan for the AMP.	FL flashes 3 times. LED flashes after the power off.	
(5)	OVERHEAT	ICE Blue LED	When an abnormality of overheat is detected in the power supply B REG circuit.	FL flashes 3 times. LED flashes after the power off.	Abnormality detection in the power supply B REG circuit
(6)	NA	MCACC LED	When an abnormality is detected in the output voltage of the power supply B REG circuit.	LED flashes after the power off.	
(7)	12V TRG ERR	NA	When the 12V trigger circuit is short-circuited.	Flashes	
(8)	USB ERROR1	NA	When the overload USB device (over 500 mA) is connected.	Flashes	
(9)	HDCP ERROR	NA	When an HDCP ERROR is detected.	Flashes 5 seconds	Warning indication for HDMI Simplay
(10)	NOT SUPPORT	NA	When the monitor outputs a non supported video format.	Flashes 5 seconds	
(11)	HDMI NG	NA	When an error is detected during communication with the HDMI micro-computer.	Flashes	Warning indication for microcomputer communication
(12)	DSP NG	NA	When an error is detected during communication with the DSP micro-computer.	Flashes	

[Detection and Display Priority]

In principle, the abnormality is preferentially detected as the following order.



[Descriptions]

(1)	AMP ERR	In Normal Operation mode, if a failure in the amp block or high DC output is detected, "AMP ERR" appears and starts flashing, and the shutdown process starts. The power is shut off, and the ICE Blue LED starts flashing. To restore the previous status 1 minutes or more after a shutdown, just turn the unit back on.
		If a failure in the amp block or high DC output is detected during a power-on sequence after high DC output was once detected, "AMP ERR" appears and starts flashing, and the shutdown process starts. The power is shut off, and the MCACC LED starts flashing. To restore the previous status, follow the procedure described in "How to Enter Release Mode" below then turn the unit back on. If the unit shuts off again, the AMP block may be in failure.
(2)	Overcurrent detection	Upon detection of overcurrent in the MOSFET at the amp output stage, the unit power off immediately, and the PHASE CONTROL LED starts flashing. The previous stage will be restored when the unit is turned back on.
(3)	Overheat detection	If abnormality temperature is detected in the MOSFET at the amp output stage, the unit power off immediately, and the PHASE CONTROL LED starts flashing. To restore the previous status, turn the unit back on.
(4)	FAN STOP	If abnormality is detected in the fan for the AMP, "FAN STOP" appears and starts flashing, and the shutdown process starts. The power is shut off. The VIDEO SCALER LED starts flashing. To restore the previous status, turn the unit back on.
(5)	OVERHEAT	If abnormality temperature is detected in the power supply B REG circuit, the unit power off immediately, and the ICE Blue LED starts flashing. To restore the previous status, turn the unit back on.
(6)	Failure in the power supply B REG circuit	If abnormality voltage is detected in the power supply B REG circuit, the unit power off immediately, and the MCACC LED starts flashing. To restore the previous status, follow the procedure described in "How to Enter Release Mode" below then turn the unit back on. If the unit shuts off again, the AMP block may be in failure.
(7)	12V TRG ERR	The 12V trigger circuit is short-circuited, and a overcurrent is generated.
(8)	USB ERROR1	The connected USB device is overload.
(9)	HDCP ERROR	The monitor does not support HDCP type or is in standby mode.
(10)	NOT SUPPORT	When an input analog signal is converted and output as an HDMI signal (via the scaler), the output signal is of a resolution not supported by the connected monitor.
(11)	HDMI NG	There is no response from the HDMI microcomputer.
(12)	DSP NG	There is no response from the DSP microcomputer.

[How to Enter Release Mode]

During Standby mode, simultaneously press and hold the " ↓ (DOWN)" and "ZONE2 ON/OFF" keys for 2 seconds.

6. SERVICE MODE

6.1 TEST MODE

The Service mode has three functional blocks (VERSION block, PROTECT block and DOWNLOAD block).

[1] How to Enter The Service Mode

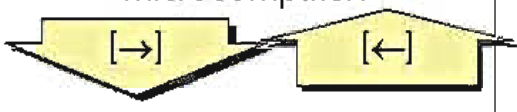
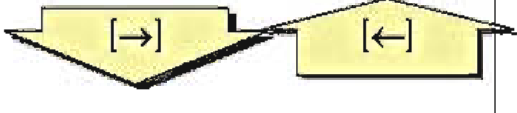

1. Turn off MULTI-ZONE. Lower MASTER VOLUME to the minimum (---dB) and turn off the power.
2. After the power-off, press and hold down both the "ENTER" key and the "MULTI-ZONE ON/OFF" key for approximately five seconds.

[2] How to Exit The Service Mode

Turning off the power or pressing the RETURN key returns to the normal mode.

[3] Mode Transition Methods For Each of The VERSION Block, PROTECT Block and DOWNLOAD Block


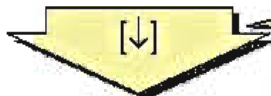
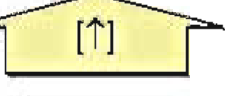
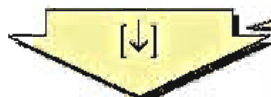

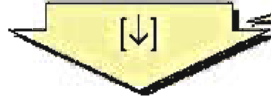
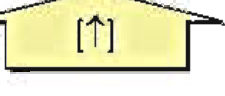
*If no key is pressed within 10 seconds, the Service mode returns to the normal mode.

Key operation	FL display
VERSION block 1/4 Display MAIN / EVENT microcomputer. 	<div style="border: 1px solid black; padding: 2px; display: inline-block;">M1.000 E1.000</div>
PROTECT block 1/11 Display number of times DC is detected. 	<div style="border: 1px solid black; padding: 2px; display: inline-block;">DC : 000</div>
DOWNLOAD block 1/7 Display MAIN computer DOWNLOAD. 	<div style="border: 1px solid black; padding: 2px; display: inline-block;">MAIN DL[START]</div>
Return to VERSION block 1/3.	

1) VERSION block

This block displays version information of various microcomputers and DSP firmware.



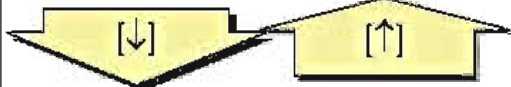

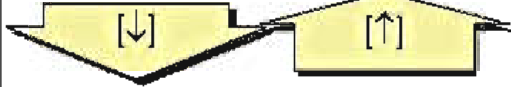



*If no key is pressed within 10 seconds, the Service mode returns to the normal mode.



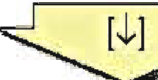
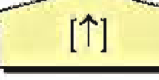
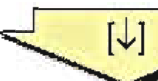

Key operation	FL display	Explanation on displayed versions
Test mode ON  VERSION block 1/4 MAIN/EVENT microcomputer	<div style="border: 1px solid black; padding: 2px; display: inline-block;">M1 . 000 E1 . 000</div>	M * , *** : MAIN microcomputer E * , *** : EVENT microcomputer
  VERSION block 2/4 DISPLAY (EMMA) microcomputer	<div style="border: 1px solid black; padding: 2px; display: inline-block;">DISP 1 . 000</div>	DISP * , *** : DISPLAY microcomputer
  VERSION block 3/4 DSP/HDMI microcomputer	<div style="border: 1px solid black; padding: 2px; display: inline-block;">D1 . 000 H1 . 000</div>	D * , *** : DSP microcomputer H * , *** : HDMI microcomputer
  VERSION block 4/4 1stDSP/2ndDSP firmware	<div style="border: 1px solid black; padding: 2px; display: inline-block;">f 1 . 000 s 1 . 000</div>	f * , *** : 1st DSP firmware s * , *** : 2nd DSP firmware
<div style="border: 1px solid black; padding: 2px; display: inline-block;">To PROTECT block</div>		

2) PROTECT block



This block displays number of times protection processing is detected.

*If no key is pressed within 10 seconds, the Service mode returns to the normal mode.

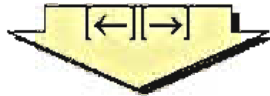

Key operation	FL display
PROTECT block 1/11 Display number of times DC is detected. 	DC : 000
PROTECT block 2/11 Display number of times OVERLOAD is detected. 	OVER : 010
PROTECT block 3/11 Display number of times COMBINATION is detected. (Detects DC and OVERLOAD simultaneously) 	CON : 002
PROTECT block 4/11 Displays number of times FAN error is detected. 	FAN : 002
PROTECT block 5/11 Display number of times overheat is detected. 	TEMP1 : 255
PROTECT block 6/11 Display number of times abnormal temperature is detected. 	TEMP2 : 255
PROTECT block 7/11 Displays number of times abnormal temperature at PowerAmp supply is detected. 	BTMP : 126
PROTECT block 8/11 Display number of times defect at PowerAmp supply is detected. 	BERR : 125

Key operation	FL display
PROTECT block 9/11 Resetting the number of times error is detected  	RESET ◀ HOLD ▶
PROTECT block 10/11 Display accumulated time & RESET.  	1 2 3 4 5 h 2 0 m ◀ HLD ▶
PROTECT block 11/11 The Timer of Exception "Set Stream Path" command on CEC.  	EX . SSP ◀ 1 5 0 0 m s ▶
To DOWNLOAD block	


Resetting the number of times error is detected

Key operation	FL display
	RESET ◀ CLEAR ? ▶
	RESET [RESET]
To normal mode	

Resetting the accumulated time


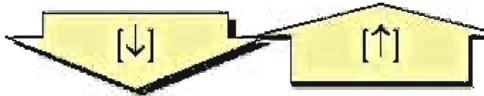

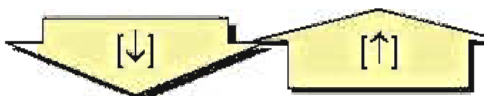
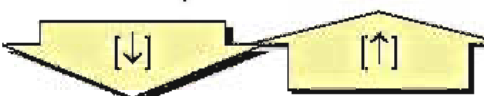
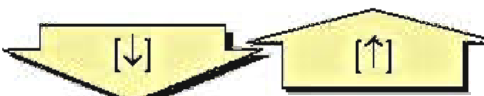

Key operation	FL display
	1 2 3 4 5 h 2 0 m ◀ CL ? ▶
	0 h 0 m ◀ RST ▶
To normal mode	

Setting of the Timer of Exception "Set Stream Path" command on CEC.

Key operation	FL display
	EX . SSP ◀ 6 0 0 m s ▶
To normal mode	

3) DOWNLOAD block

This block enters the rewriting mode of various microcomputers and DSP firmware.

Key operation	FL display
DOWNLOAD block 1/7 MAIN computer DOWNLOAD 	<div style="border: 1px solid black; padding: 2px; display: inline-block;">MAIN DL[START]</div>
DOWNLOAD block 2/7 EVENT computer DOWNLOAD 	<div style="border: 1px solid black; padding: 2px; display: inline-block;">EVNT DL[START]</div>
DOWNLOAD block 3/7 DISP computer DOWNLOAD 	<div style="border: 1px solid black; padding: 2px; display: inline-block;">DISP DL[START]</div>
DOWNLOAD block 4/7 DSP computer DOWNLOAD 	<div style="border: 1px solid black; padding: 2px; display: inline-block;">DSPM DL[START]</div>
DOWNLOAD block 5/7 HDMI computer DOWNLOAD 	<div style="border: 1px solid black; padding: 2px; display: inline-block;">HDMI DL[START]</div>
DOWNLOAD block 6/7 1stDSP FIRM DOWNLOAD 	<div style="border: 1px solid black; padding: 2px; display: inline-block;">DSP1 DL[START]</div>
DOWNLOAD block 7/7 2ndDSP FIRM DOWNLOAD  <div style="border: 1px solid black; padding: 2px; display: inline-block;">To VERSION block</div>	<div style="border: 1px solid black; padding: 2px; display: inline-block;">DSP2 DL[START]</div>

7. DISASSEMBLY

Note 1: Even if the unit shown in the photos and illustrations in this manual may differ from your product, the procedures described here are common.

Note 2: For performing the diagnosis shown below, the following jigs for service is required:

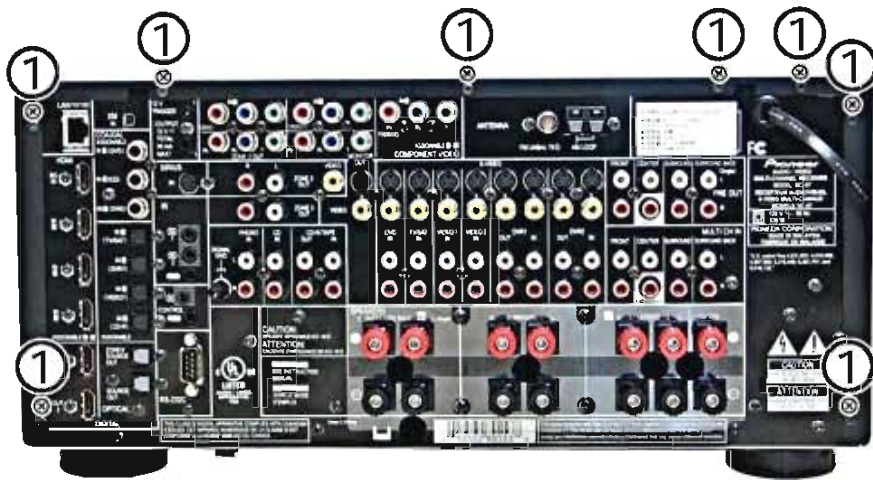
- 27P FFC (GGD1588)
- 19P FFC (GGD1589) x2
- 21P FFC (GGD1590)
- 16P FFC (GGD1591)
- 30P+13P board to board extension jig cable (GGD1592)
- 17P+19P board to board extension jig cable (GGD1593)
- 5P PH HOUSING ASSY (GGD1594) x3

Note 3: Before starting the diagnosis, wait for three minutes until the electricity of the unit is discharged.

1. Disassembly

1 Bonnet

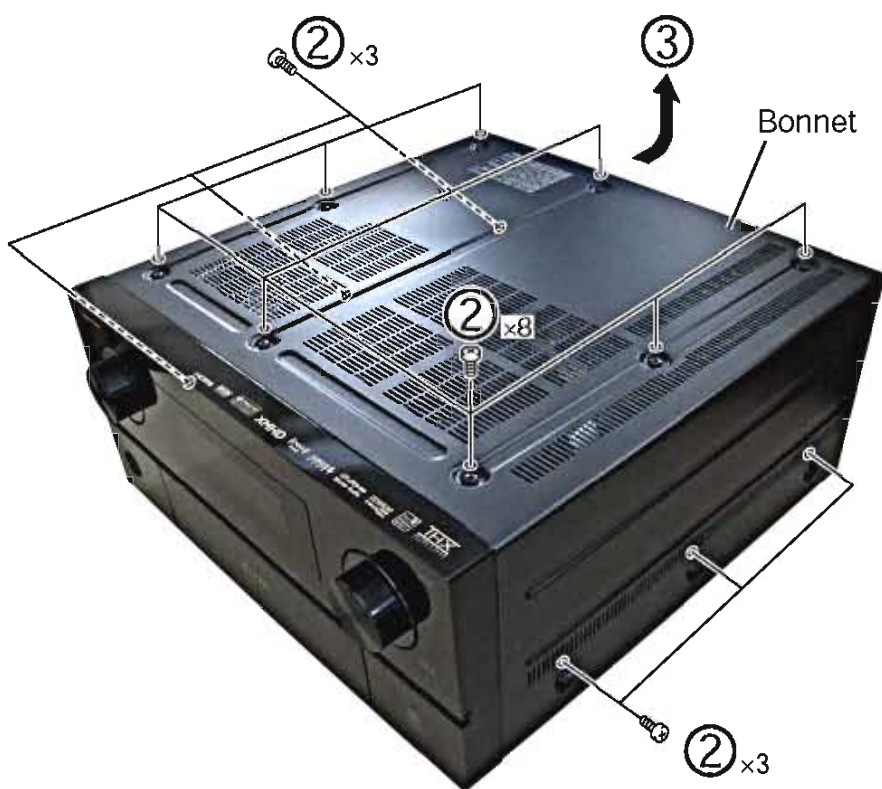
① Remove the eight screws.



● Rear view

② Remove the fourteen screws.

③ Remove the Bonnet.



2 Rear Panel

① Remove the two screws.

② Remove the Center Beam V1.

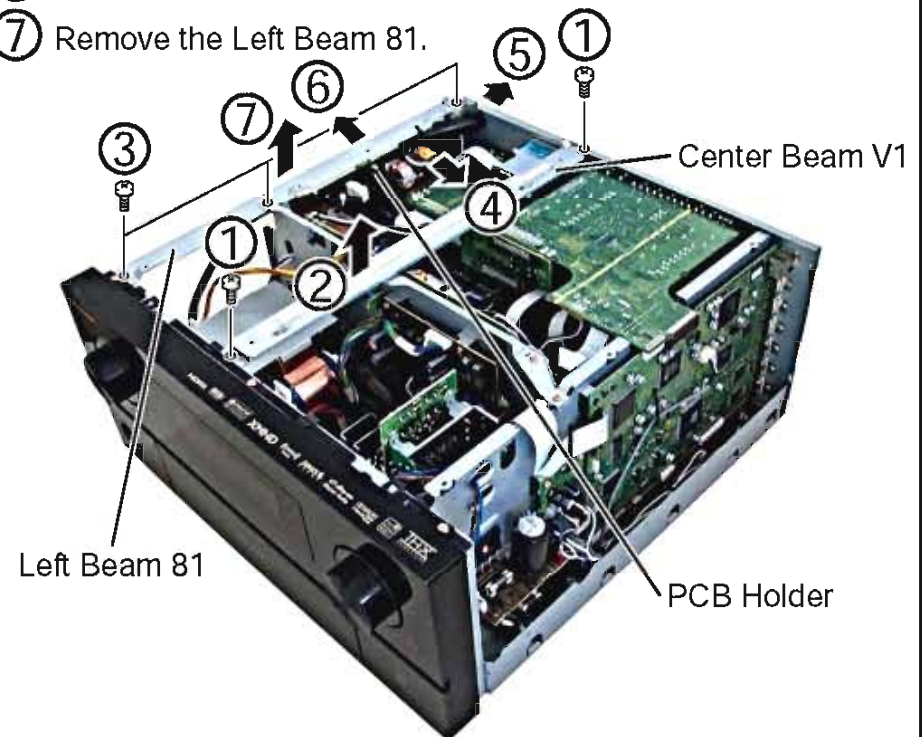
③ Remove the three screws.

④ Disconnect the one connector.

⑤ Remove the Cord Stopper.

⑥ Remove the PCB Holder from the Left Beam 81.

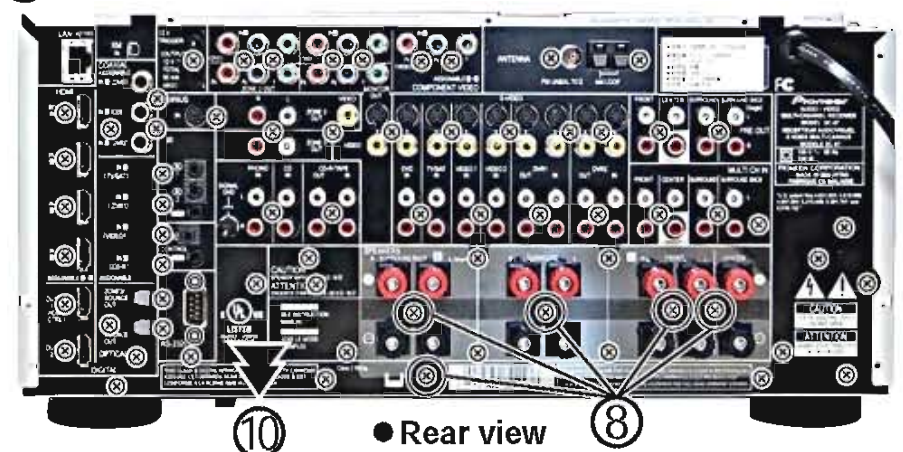
⑦ Remove the Left Beam 81.



⑧ Remove the five Cushion circle 14B.

⑨ Remove the 69 screws.

⑩ Remove the Rear Panel.

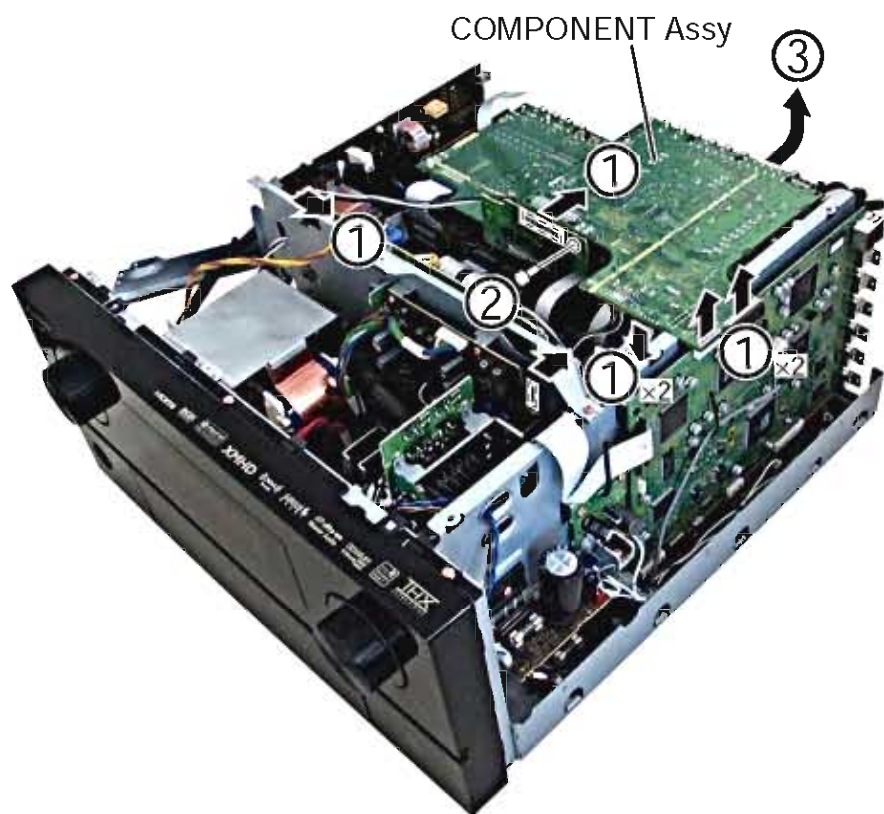


● Rear view

3 PCB Assys and ICE

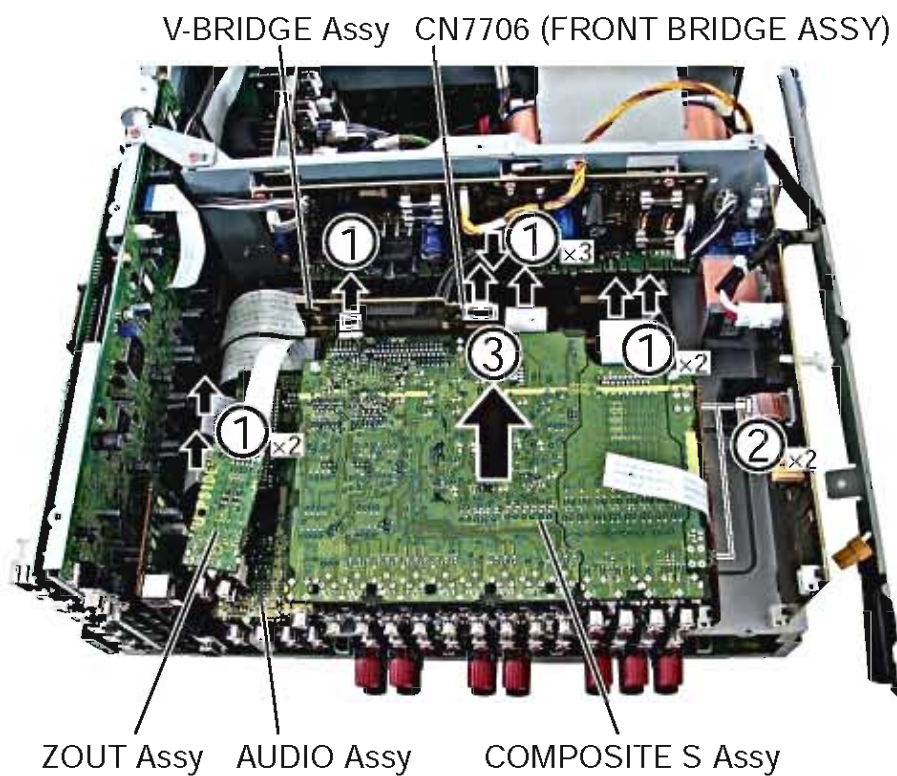
• COMPONENT Assy

- ① Disconnect the one flexible cable and five connectors.
- ② Remove the one Push Rivet.
- ③ Remove the COMPONENT Assy.



• AUDIO Assy, COMPOSITE S Assy, V-BRIDGE Assy and ZOUT Assy

- ① Disconnect the six flexible cables and two connector.
- ② Remove the two Push Rivets.
- ③ Remove the AUDIO Assy, COMPOSITE S Assy, V-BRIDGE Assy and ZOUT Assy.

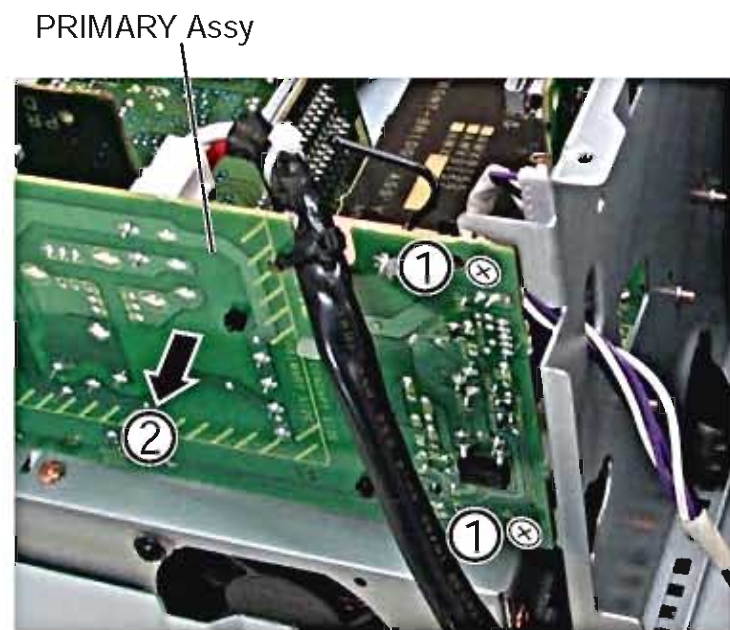


• Rear view



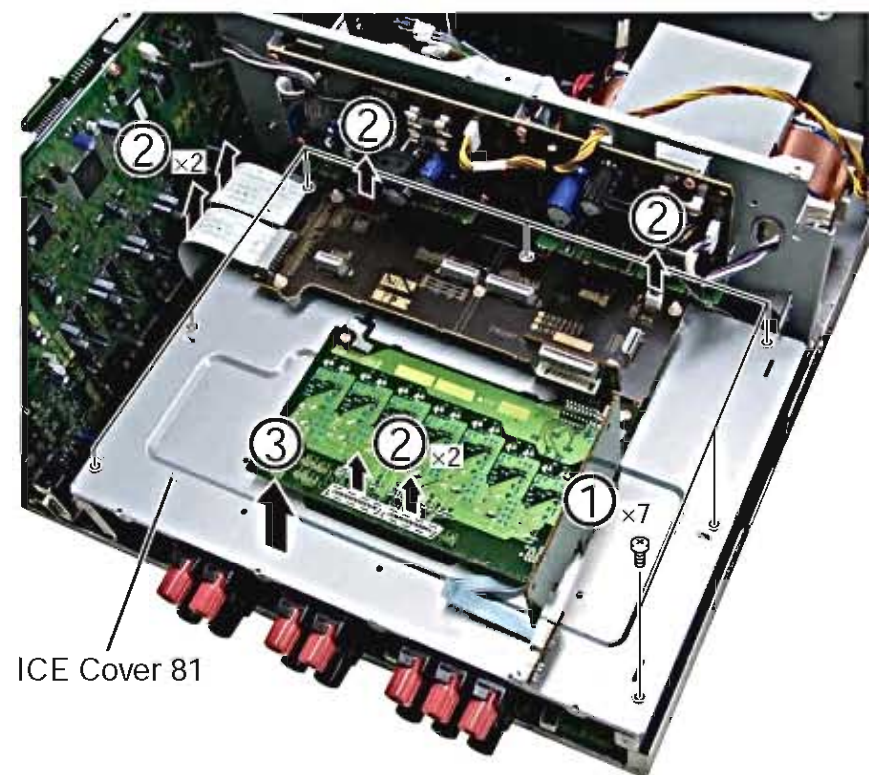
• PRIMARY Assy

- ① Remove the two screws.
- ② Remove the PRIMARY Assy.



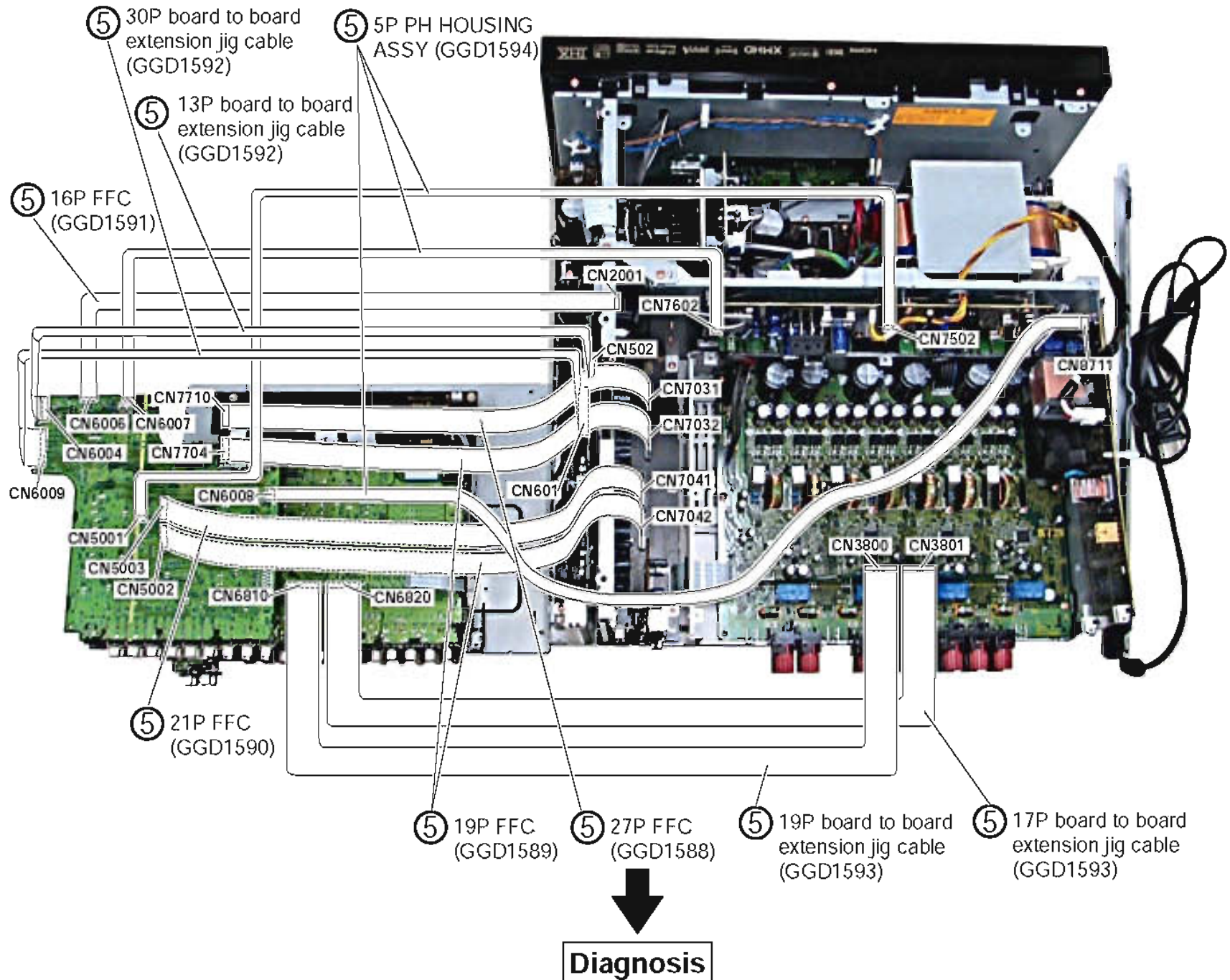
• ICE Cover 81 Section

- ① Remove the seven screws.
- ② Disconnect the two flexible cables and four connectors.
- ③ Remove the ICE Cover 81.

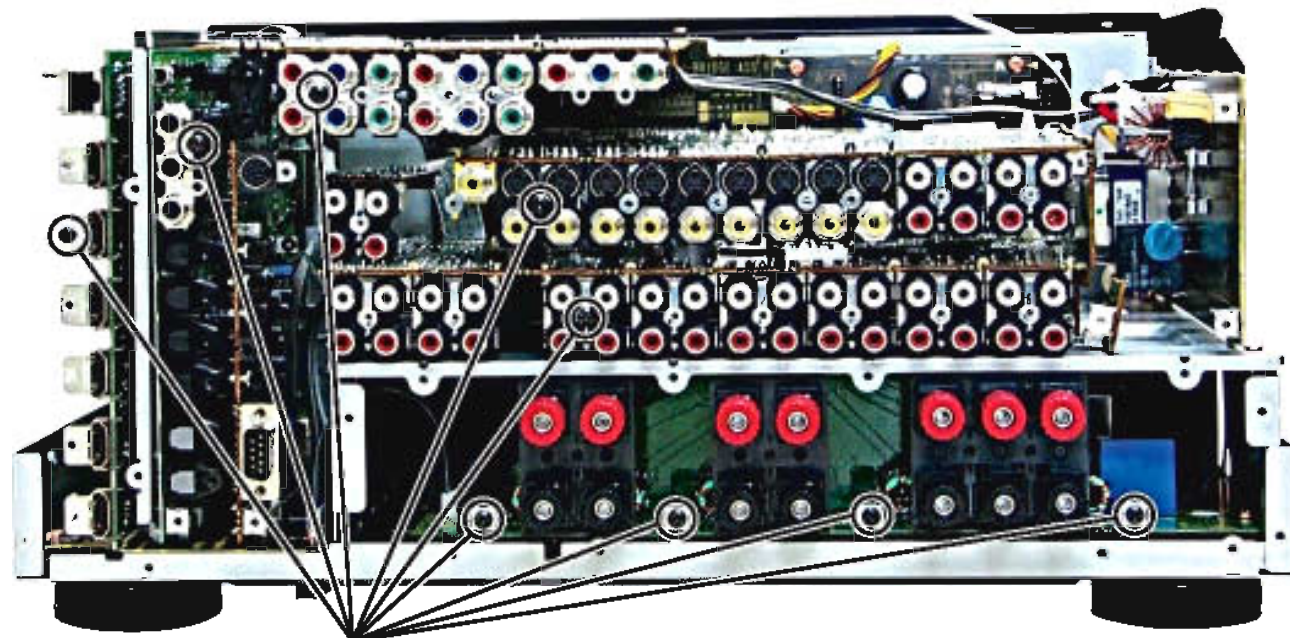


4 Diagnosis

- ① Reassembling the PRIMARY Assy.
- ② Reassembling the AUDIO Assy, COMPOSITE S Assy, V-BRIDGE Assy and ZOUT Assy on the Ice Cover 81.
- ③ Reassembling the COMPONENT Assy on the V-BRIDGE Assy.
- ④ Connect the twelve extension jig cables.
- ⑤ Arrange the unit as shown in the photo below.



Note : As mentioned below, detach the rear panel, re-fasten the screws at the corresponding points, and connect the chassis to the ground.



Points to be connected to the chassis

8. EACH SETTING AND ADJUSTMENT

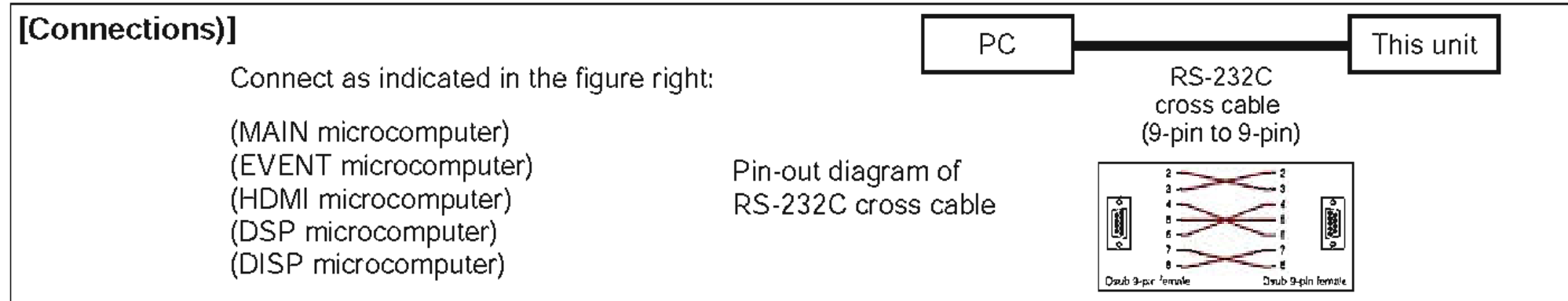
8.1 HOW TO UPDATE FIRMWARE

[1] MAIN, DSP, HDMI, EVENT and DISP Microcomputer

[Purpose]
 Refer to this section when updating the firmware of each microcomputer is required by the service information, etc.

[Necessary Tools]

- PC with a serial port
- RS-232C cable (9-pin to 9-pin, cross)
- Firmware ("mot" extension) **(except DISP u-com)**
 ("sz0" extension) **(for DISP u-com)**
- Program for updating (ufu.exe: ver. 1.08) **(except DISP u-com)**
 (ufu.exe: ver. 1.10) **(for DISP u-com)**



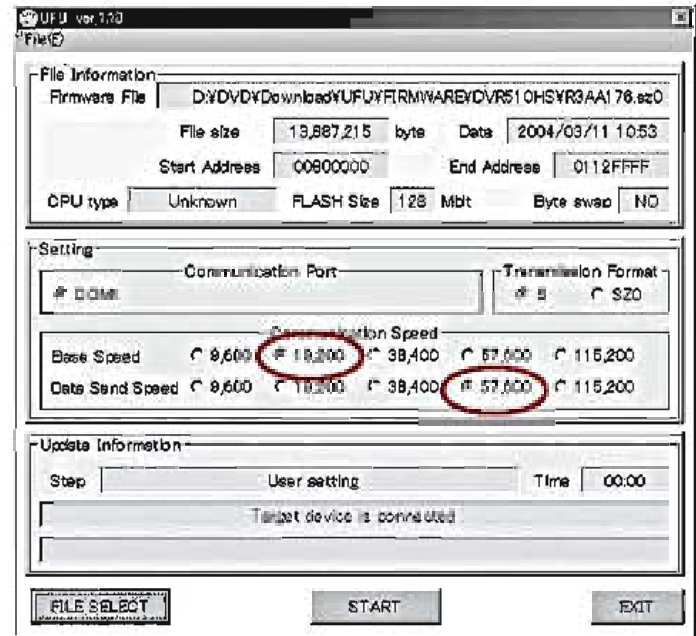
[Note]
 Do NOT disconnect the AC power cords of this unit nor the PC.

1) HDMI, MAIN, DSP and EVENT microcomputer

- [Procedures]**
1. Turn off the power to this unit by setting the main volume level to "---dB" and Multi-Zone to "OFF".
 2. Connect the 232C cross cable and the PC, as indicated in "Connections".
 3. Simultaneously press and hold the ENTER and MULTI-ZONE ON/OFF keys for about 5 seconds.
 4. Turn the power ON at CONFIDENTIAL PANEL mode.
 5. (MAIN microcomputer)
 Press ↓ key and select "MAIN DL [START]" display. Press ENTER key and set to "MAIN DL [GO ON]".
 (EVENT microcomputer)
 Press ↓ key and select "EVENT DL [START]" display. Press ENTER key and set to "EVENT DL [GO ON]".
 (DSP microcomputer)
 Press ↓ key and select "DSPM DL [START]" display. Press ENTER key and set to "DSPM DL [GO ON]".
 (HDMI microcomputer)
 Press ↓ key and select "HDMI DL [START]" display. Press ENTER key and set to "HDMI DL [GO ON]".
 6. Double-click on "ufu.exe: ver.1.08".
 7. Check that "Full" is selected in MODE SELECT.
 8. Select the firm ware file with "mot" extension.
 9. Select the communication speed.
 - Basic speed: 19200
 - Data transfer speed: 57600
 10. Click on "START" button.
 11. "Completed" is displayed in the "ufu.exe" window.
 12. Please retry it from 2 when it doesn't so well.
 13. Turn off the unit and end the ufu.exe.
 14. Clear the memories.
 - 1) Connect the AC power cord of the unit
 - 2) Press "SETUP" button and "POWER" button.
 - 3) Then the receiver is turned on and displays "RESET[NO]".
 - 4) Push "→" key and displays "RESET [RESET]"
 - 5) Then push "ENTER" key and displays "RESET? [OK]".
 - 6) Push "ENTER" key and often a while "OK" is displayed.
 15. Check the version.
 Following the procedures described in "Version indication" in "6.1 TEST MODE", check that the version has been changed to a new one.



Check that "Full" is selected in MODE SELECT.



Select the communication speed.
 • Basic speed: 19200
 • Data transfer speed: 57600

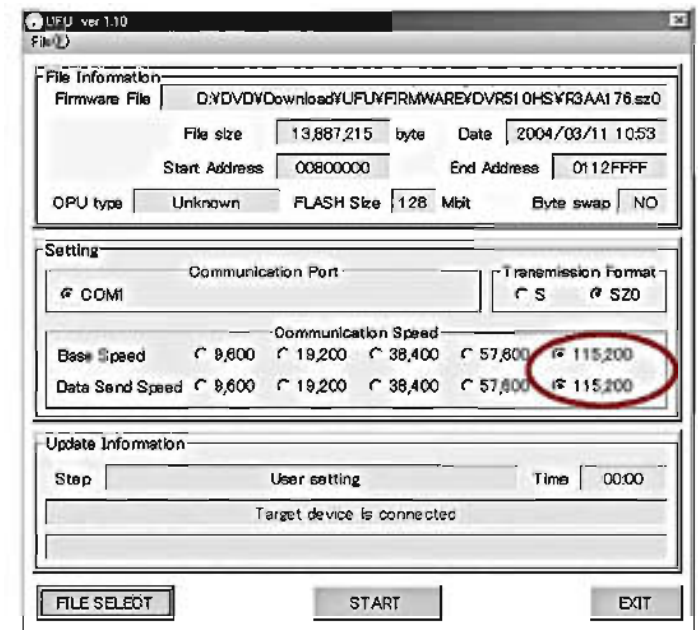
2) DISP microcomputer

[Procedures]

1. Turn off the power to this unit by setting the main volume level to "---dB" and Multi-Zone to "OFF".
2. Connect the 232C cross cable and the PC, as indicated in "Connections".
3. Simultaneously press and hold the ENTER and MULTI-ZONE ON/OFF keys for about 5 seconds.
4. Turn the power ON at CONFIDENTIAL PANEL mode.
5. (DISP microcomputer)
Press ↓ key and select "DISP DL [START]" display.
Press ENTER key and set to "DISP DL [GO ON]".
6. Double-click on "ufu.exe: ver.1.10".
7. Check that "Full" is selected in MODE SELECT.
8. Select the firm ware file with "sz0" extension.
9. Select the communication speed.
 - Basic speed: 115200
 - Data transfer speed: 115200
10. Click on "START" button.
11. "Completed" is displayed in the "ufu.exe" window.
12. Please retry it from 2 when it doesn't so well.
13. Turn off the unit and end the ufu.exe.
Disconnect the AC power cord of the unit.
and the RS-232C cable.
14. Clear the memories.
 - 1) Connect the AC power cord of the unit
 - 2) Press "SETUP" button and "POWER" button.
 - 3) Then the receiver is turned on and displays "RESET [NO]".
 - 4) Push "→" key and displays "RESET [RESET]"
 - 5) Then push "ENTER" key and displays "RESET? [OK]".
 - 6) Push "ENTER" key and often a while "OK" is displayed.
15. Check the version.
Following the procedures described in "Version indication" in "6.1 TEST MODE",
check that the version has been changed to a new one.



Check that "Full" is selected in MODE SELECT.



Select the communication speed.

- Basic speed: 115200
- Data transfer speed: 115200

[3] DSP Flash Rom Update by USB Memory

[Preparations]

1. Copy the DSP Firmware for update to the USB MEMORY in advance.
 - * One file for DSP1 and DSP2
 - * Unable to update by the program except for 08 Mid receiver.
2. Connect the MONITOR OUT of this unit to DISPLAY.
3. Turn off the power to this unit by setting the main volume level to "--dB" and Multi-Zone to "OFF".
4. Connect the USB MEMORY to the iPod DIRECT USB terminal of this unit.

[Procedure]

1. Simultaneously press and hold POWER and RETURN keys for about 5 seconds.
2. The DSP firmware version is displayed automatically. Confirm the Version before the update.
"f[*.*] s[*.*]" is displayed on the FL display. (A)
f: DSP1 firmware
s: DSP2 firmware
3. Select the "USB" on the monitor TV. (B)
4. Select the file for Firmware update. (C)
5. The updating program starts and the HDMI indicator becomes flashing. (D)
6. After about 2 minutes, the HDMI indicator stops flashing and the update is finished.
Confirm "DSPFDL [OK]" is displayed on the FL display. (E)
7. Turn off the unit and disconnect the USB MEMORY.

(A)



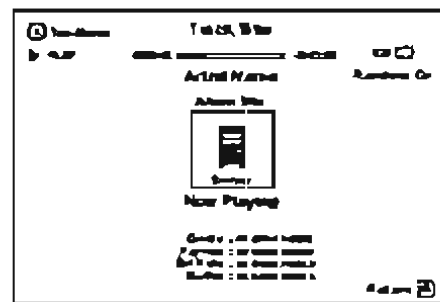
(B)



(C)



(D)



(E)



[Confirmation]

1. Simultaneously press and hold POWER and RETURN keys for about 5 seconds.
2. The DSP firmware version is displayed automatically. Confirm the Version after the update. (F)

(F)



[4] Network Firmware Update Procedure

Note: Please prepare the firmware file in your PC before starting this procedure.

[Procedure]

1. Connect the LAN terminal on the AV receiver to the LAN terminal on PC with a LAN cable (cross or straight).
2. Set the Static IP Address of the PC.

*When using the DHCP router, go to Step 3.

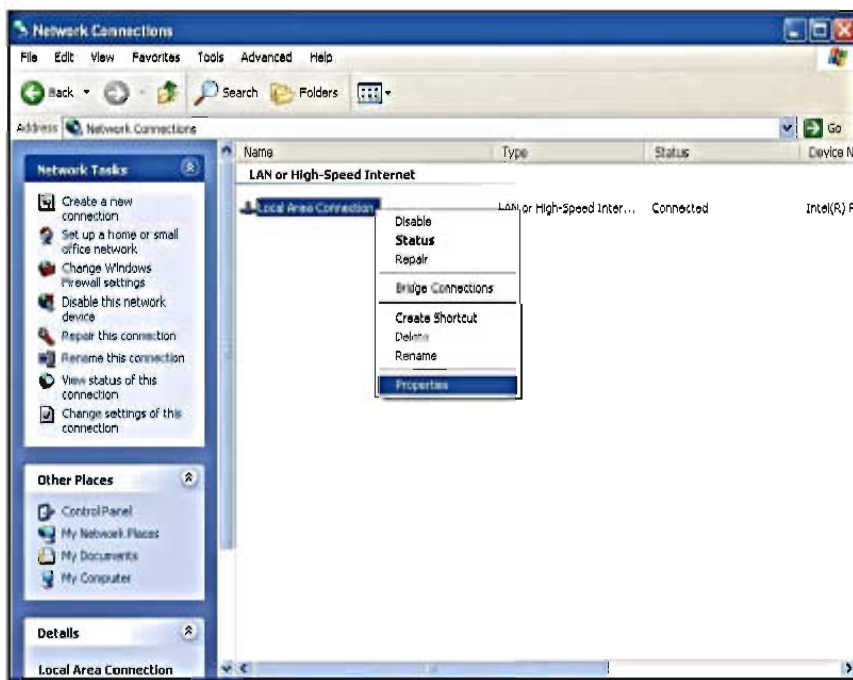
It is not necessary to execute this Step 2 in that case.

Open the Control Panel. --->

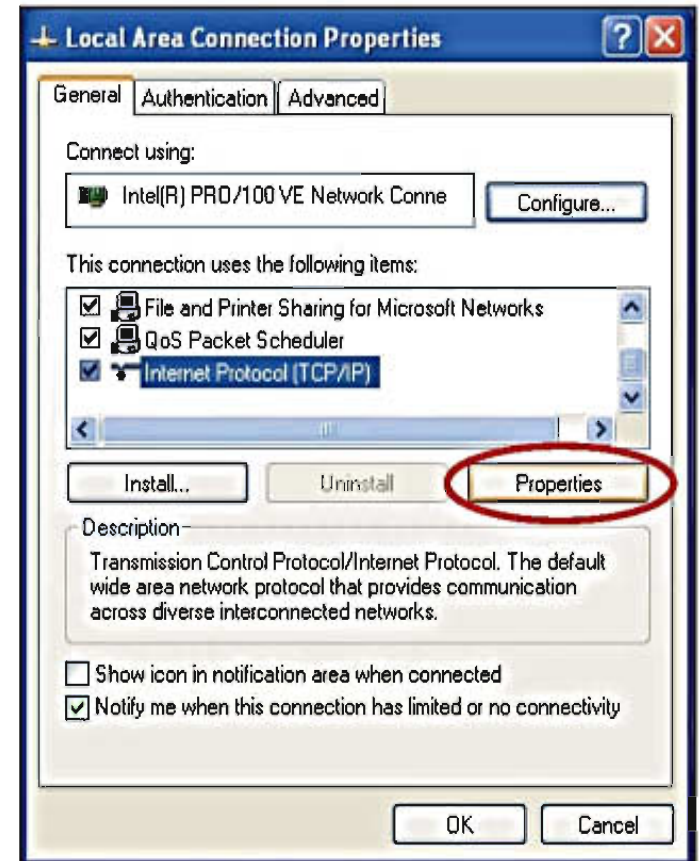
Open the Network Connections (double click).



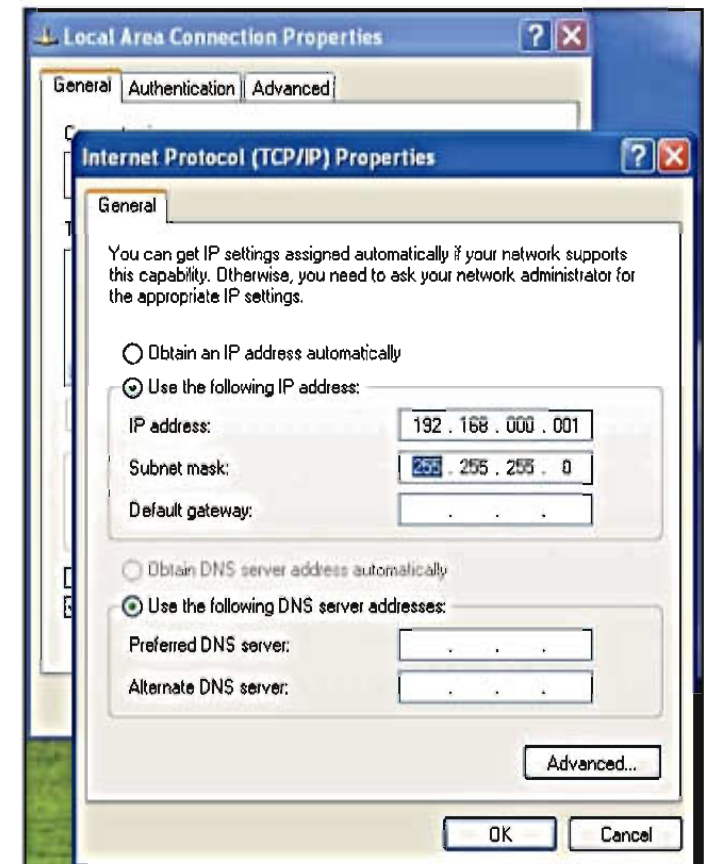
Local Area Connection (right click) ---> Properties



Local Area Connections Properties --->
Internet Protocol (TCP/IP) ---> Properties



Internet Protocol (TCP/IP) Properties



Set the following settings.

Use the following IP address:

IP address: 192.168.000.001

Subnet mask: 255.255.255.0

3. Set the Static IP Address of the AV receiver.

Note: Please confirm the Network IP settings of the customer's unit before changing the IP Address.
Home Media Gallery ---> Setup ---> NetworkSetup ---> NetworkFound ---> Static IP Address
If using the Static IP Address, please record it.

Home Media Gallery ---> Setup ---> NetworkSetup ---> NetworkFound ---> Static IP Address

Set the following settings.

IP address: 192.168.000.002

Subnet mask: 255.255.255.0

Gateway IP: 192.168.000.001

Proxy Server: No

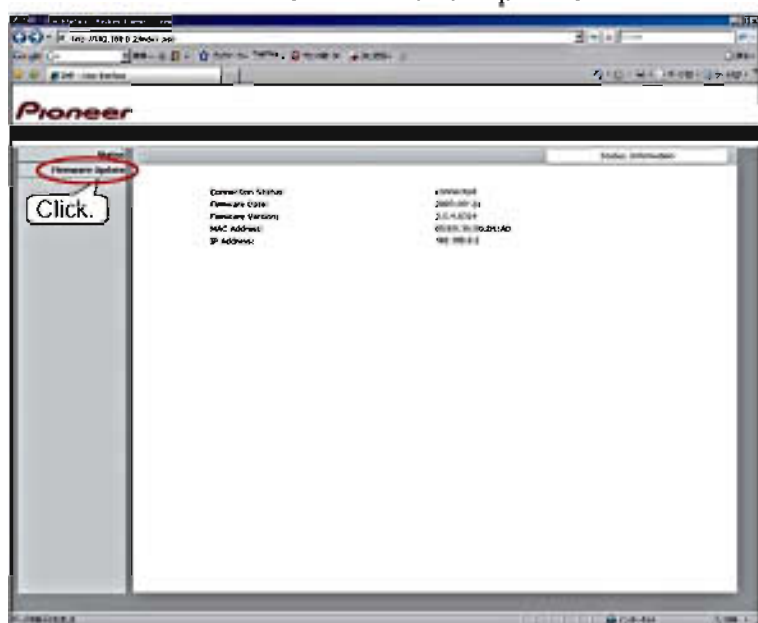
4. Open the Internet Explorer on the PC.

Enter the following address.

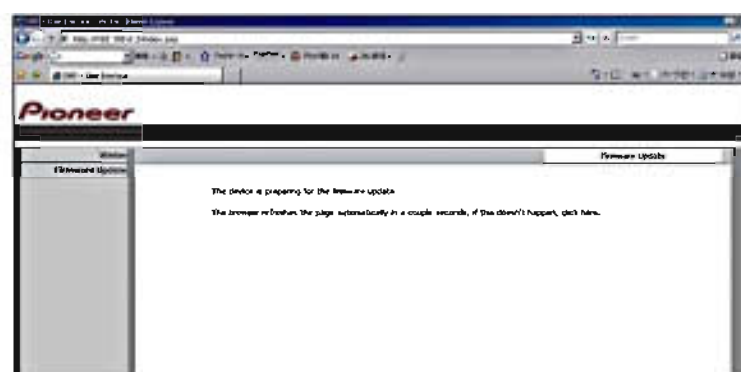
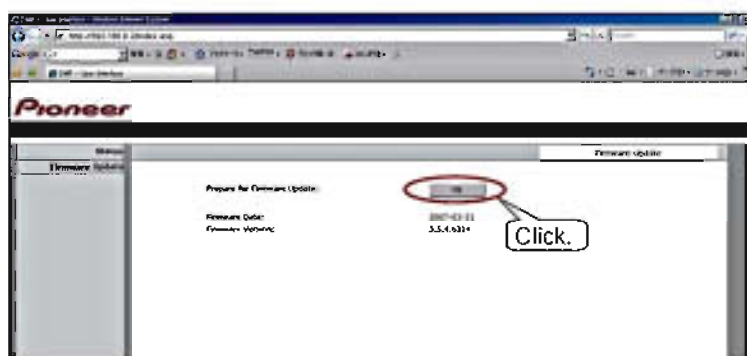
http:// 192.168.000.002

The following page will be appeared.

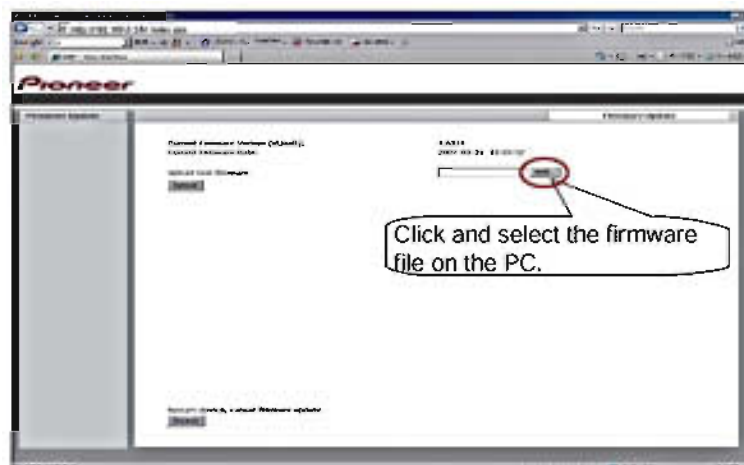
Click the Firmware Update.



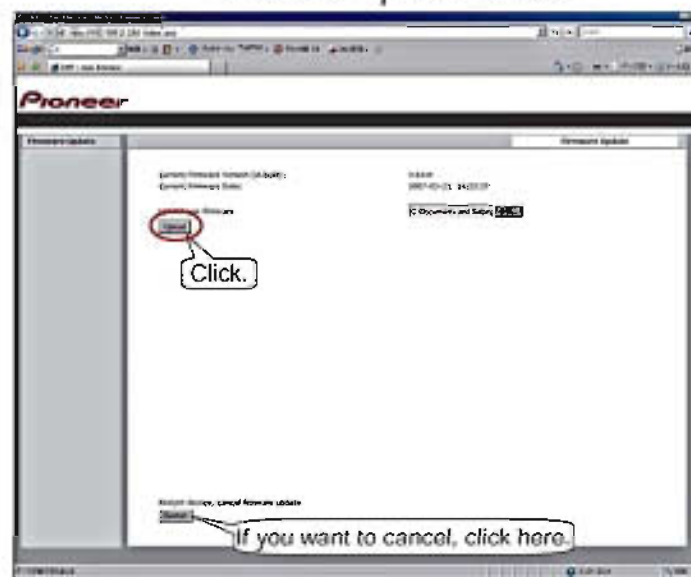
Click the Ok button.



Click the browse button and select the firmware file in the PC.

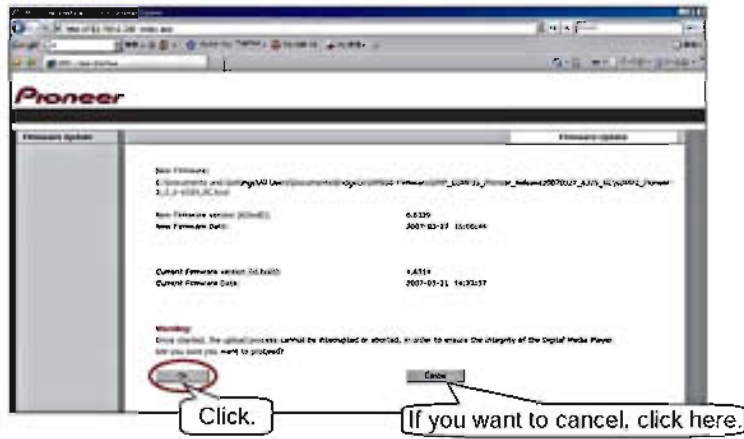


Click the Upload button.





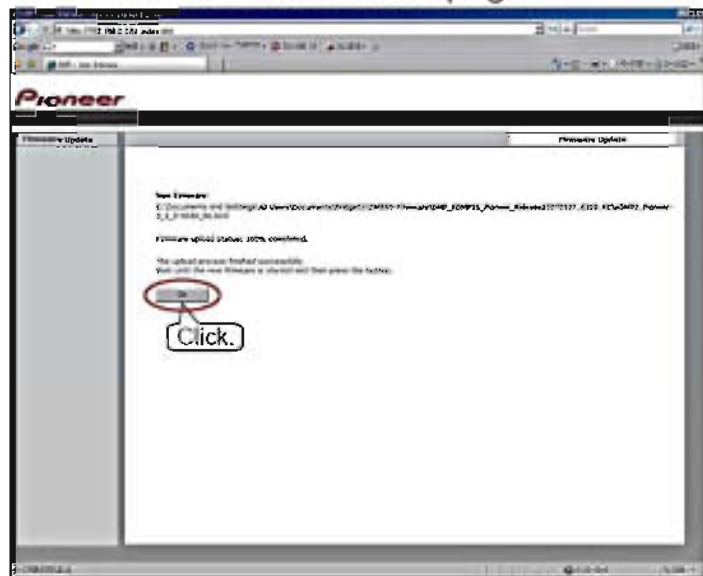
Click the Ok button.



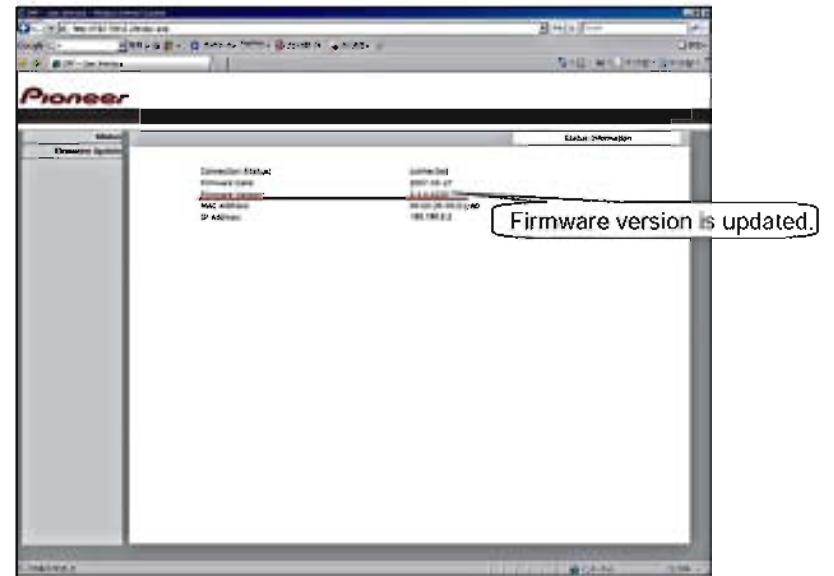
The firmware update will be started.



After the updating is completed, click the Ok button to return status page.



Confirm the Firmware Version.

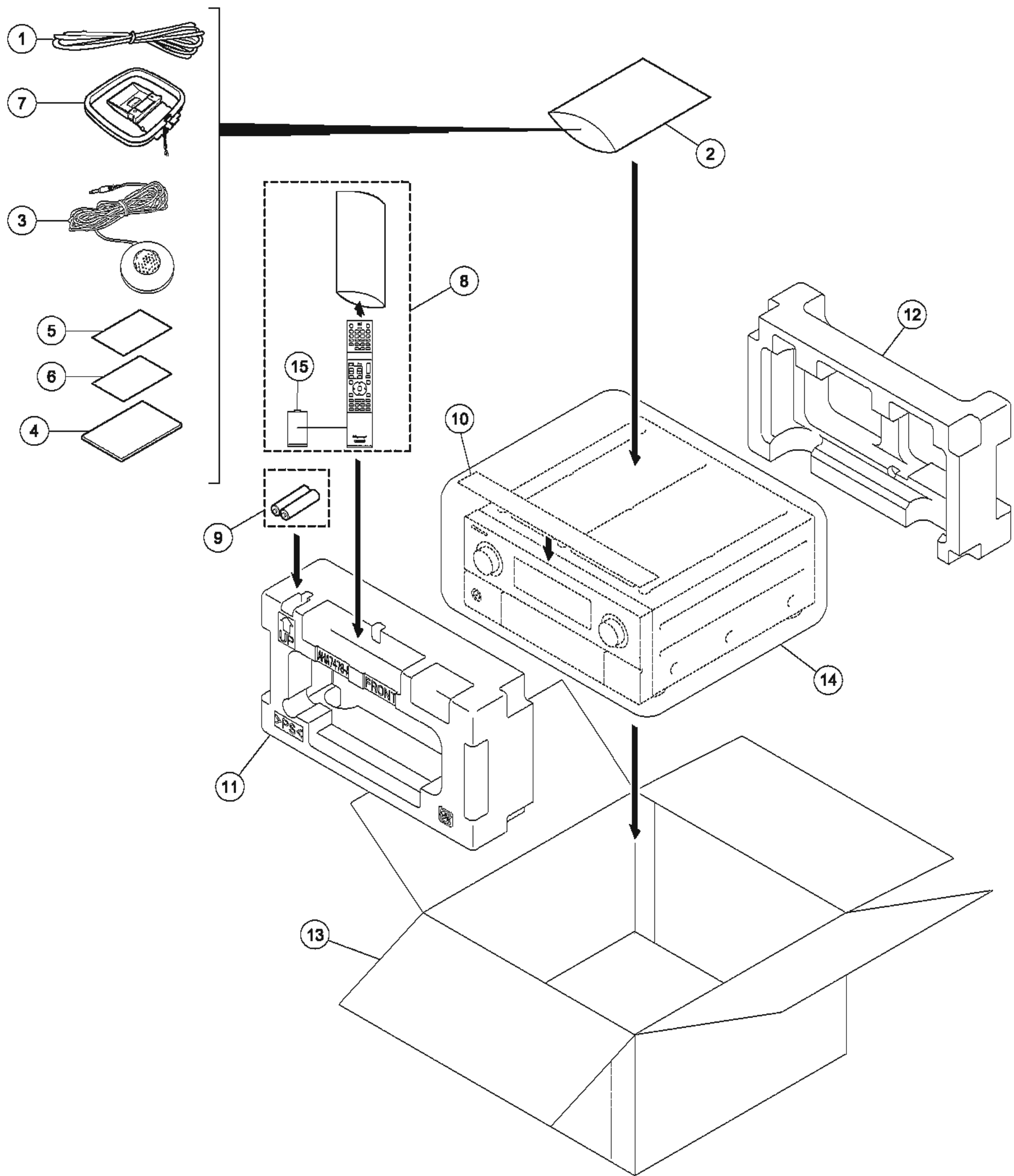


Note: Please restore the Network IP settings of the customer's unit after the update is completed.

9. EXPLODED VIEWS AND PARTS LIST

- NOTES:**
- Parts marked by "NSP" are generally unavailable because they are not in our Master Spare Parts List.
 - The \triangle mark found on some component parts indicates the importance of the safety factor of the part. Therefore, when replacing, be sure to use parts of identical designation.
 - Screws adjacent to ∇ mark on product are used for disassembly.
 - For the applying amount of lubricants or glue, follow the instructions in this manual.
(In the case of no amount instructions, apply as you think it appropriate.)

9.1 PACKING SECTION

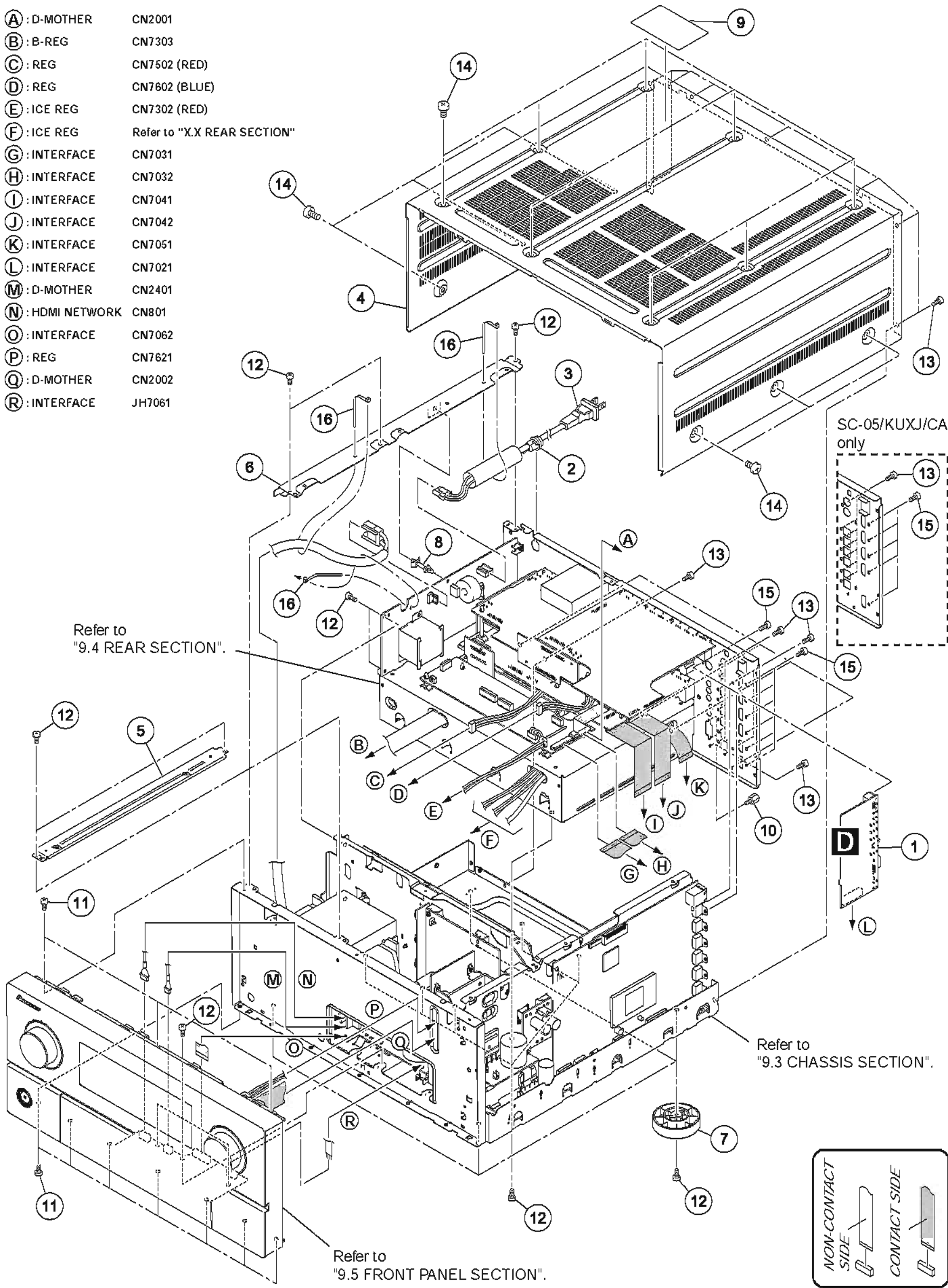


PACKING SECTION PARTS LIST

<u>Mark No.</u>	<u>Description</u>	<u>Part No.</u>
1	FM Wire Antenna	ADH7030
NSP 2	Polyethylene Bag	AHG7117
3	Setup Microphone (for Auto MCACC setup)	APM7008
4	Operating Instructions	ARB7392
5	Caution Sheet SP,E	ARM7056
NSP 6	Warranty Card	ARY7007
7	AM Loop Antenna	ATB7013
8	Remote Control Unit	AXD7520
NSP 9	Dry Cell Battery AA/LR6	VEM1031
10	Protection Sheet LX	AEH7030
11	Front Pad 81	AHA7478
12	Rear Pad 81	AHA7479
13	Packing Case (SC-07/KUXJ/CA)	AHD8601
13	Packing Case (SC-05/KUXJ/CA)	AHD8602
14	Packing Sheet	RHC1023
15	Battery Cover	AZN8031

9.2 EXTERIOR SECTION

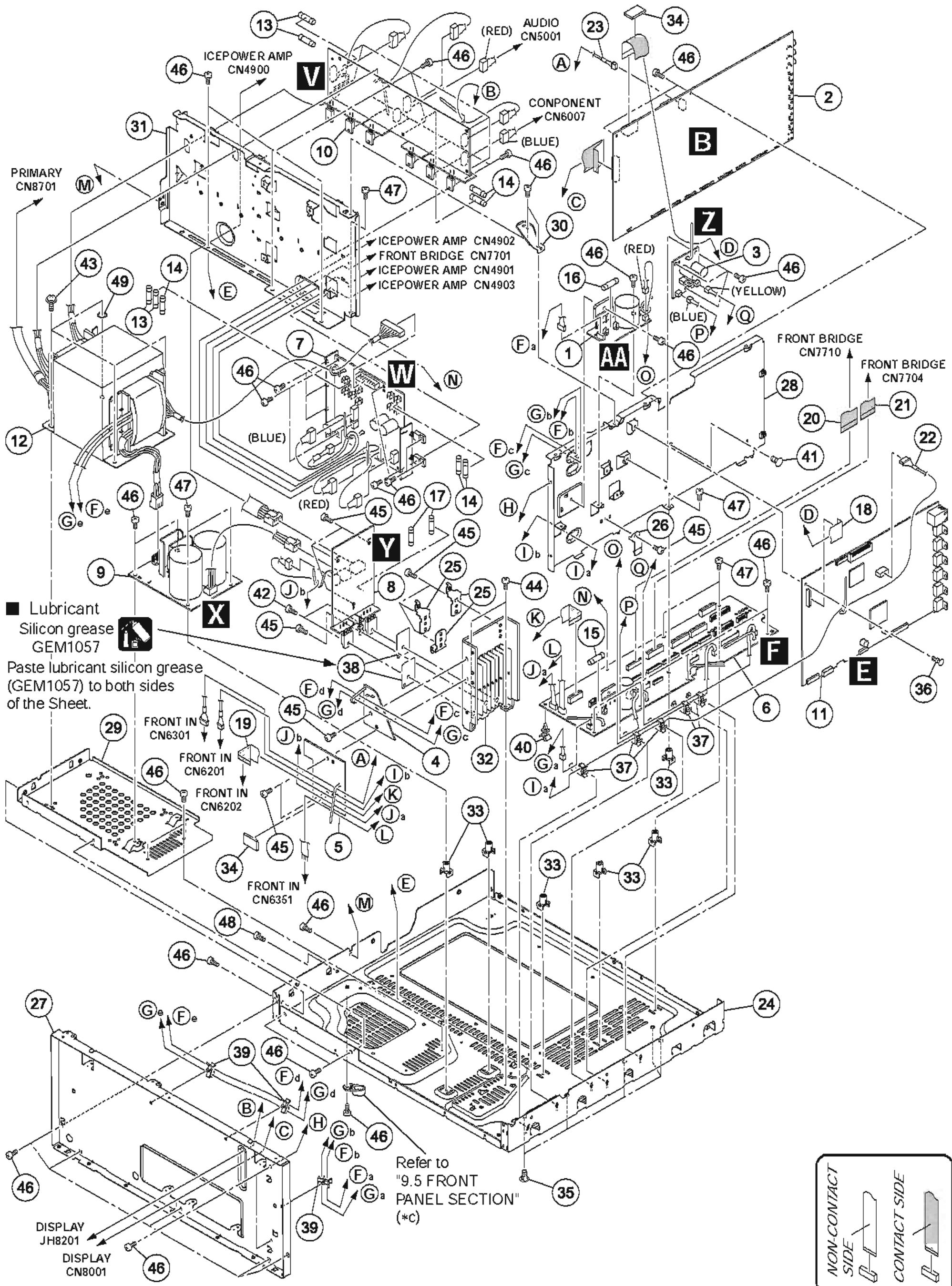
- (A) : D-MOTHER CN2001
- (B) : B-REG CN7303
- (C) : REG CN7502 (RED)
- (D) : REG CN7602 (BLUE)
- (E) : ICE REG CN7302 (RED)
- (F) : ICE REG Refer to "X.X REAR SECTION"
- (G) : INTERFACE CN7031
- (H) : INTERFACE CN7032
- (I) : INTERFACE CN7041
- (J) : INTERFACE CN7042
- (K) : INTERFACE CN7051
- (L) : INTERFACE CN7021
- (M) : D-MOTHER CN2401
- (N) : HDMI NETWORK CN801
- (O) : INTERFACE CN7062
- (P) : REG CN7621
- (Q) : D-MOTHER CN2002
- (R) : INTERFACE JH7061



EXTERIOR SECTION PARTS LIST

Mark No.	Description	Part No.
1	232C & CONTROL ASSY	AWX9140
2	Cord Stopper	CM-22C
⚠ 3	AC Power Cord	VDG1075
4	Bonnet 81B	AZN8036
5	Center Beam V1	ANG7482
6	Left Beam 81	ANG7624
7	Insulator	AMR7198
8	PCB Holder	PNW2562
9	Lisence Label V5S	ARW7372
10	Screw 2.85 x 7	ABA7078
11	Screw	BBT30P080FCC
12	Screw	BBZ30P080FCC
13	Screw	BBZ30P080FTB
14	Screw	BCZ40P060FTB
15	Screw	PMZ30P060FTB
NSP 16	Binder (BK-1)	ZCA-BK1

9.3 CHASSIS SECTION



CHASSIS SECTION PARTS LIST

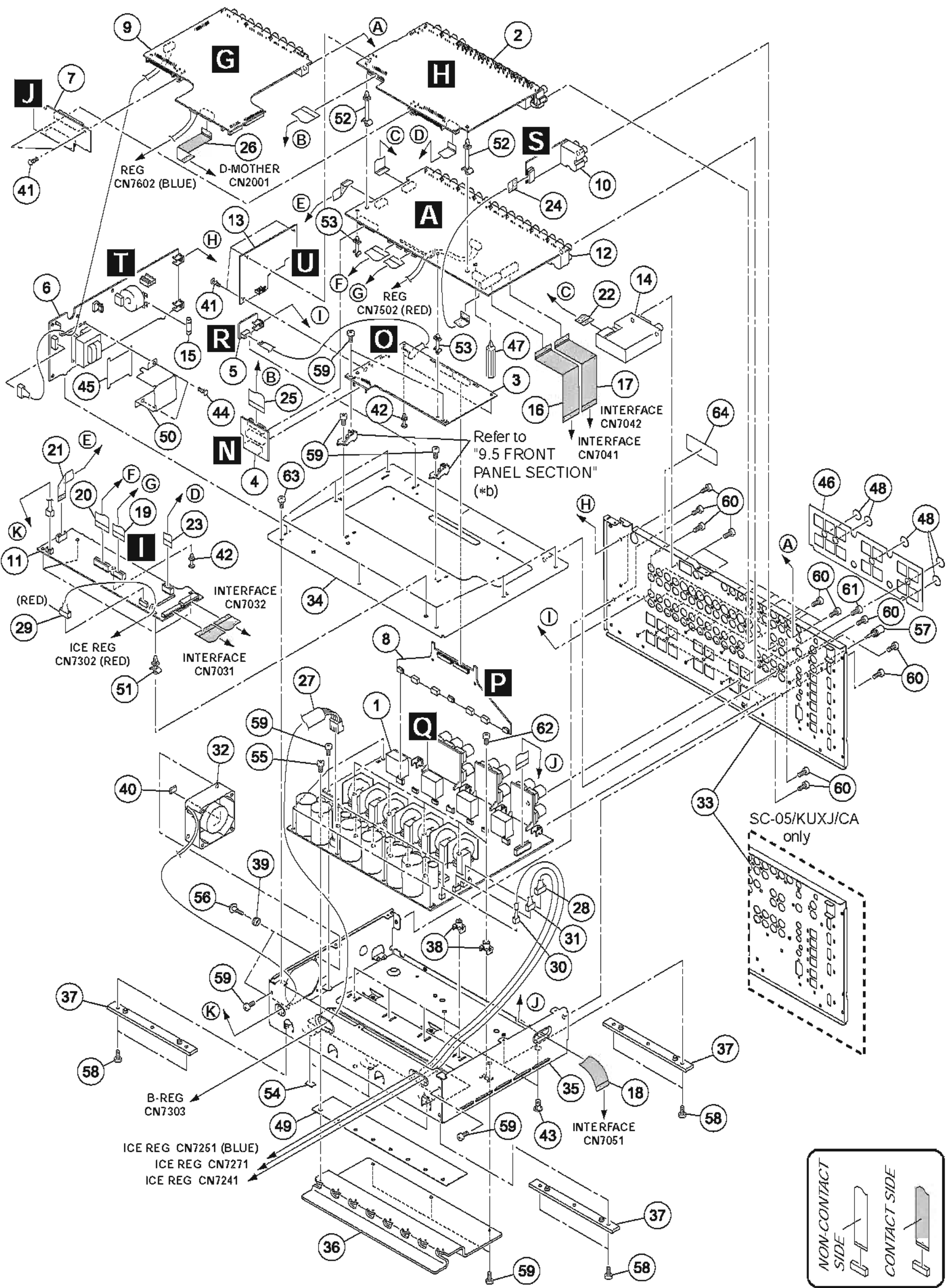
Mark No.	Description	Part No.	Mark No.	Description	Part No.
⚠ 1	HDMI RECT ASSY	AWX9156			
2	D-MOTHER ASSY	See Contrast table (2)	NSP 26	Transistor Holder	ANG7543
3	DCDC ASSY	AWX9138	NSP 27	Panel Stay 81	ANG7619
4	H GUARD2 ASSY	AWX9147	28	DSP Shieled 81	ANG7622
5	H GUARD1 ASSY	AWX9174	29	Trans Flame 81	ANG7623
			30	Support Plate 81	ANG7625
6	INTERFACE ASSY	AWX9148			
7	ICE REG ASSY	AWX9149	31	REG Assy Plate 81	ANG7627
8	B REG ASSY	AWX9150	32	REG Heatsink 81	ANH7204
9	B DIODE ASSY	AWX9171	33	PCB Mold	AMR2533
10	REG ASSY	AWX9152	34	FFC Cushion	AEB7404
			35	PCB Holder	AEC7057
11	HDMI NETWORK ASSY	See Contrast table (2)			
⚠ 12	Power Transformer (T1501)	ATS7422	36	Push Rivet	AEC7071
⚠ 13	FUSE 1A (FU13,FU14,FU21,FU22)	REK1142	37	Reuse Clamp	AEC7621
⚠ 14	FUSE 1.25A (FU11,FU12,FU15,FU31,FU32)	REK1143	38	Sheet	AEE7034
⚠ 15	FUSE (FU51: 3A)	REK1147	39	Side Clamp	DEC2007
			40	Locking Card Spacer	PNW2917
⚠ 16	FUSE (FU41: 4A)	REK1149	NSP 41	PC Support	VEC1749
⚠ 17	FUSE (FU61,FU62: 10A)	REK1154	42	Screw	ABA1052
18	22FFC/60V (J10)	ADD7655	43	Screw 4 x 12	ABA7109
19	15FFC/60V (J13)	ADD7660	44	Screw 3 x 10	ABA7134
20	27P FFC/60V (J15)	ADD7662	45	Screw	BBZ30P060FTC
			46	Screw	BBZ30P080FCC
21	19P FFC/60V (J16)	ADD7663	47	Screw	BBZ30P180FCC
22	5P Shielded Cable (Y19)	ADX7621	48	Screw	IBP30P090FCC
23	Housing Assy (Y23)	ADX7623	49	Washer	WH40FNI
NSP 24	Under Base 81	ANA7210			
25	PCB Angle 45	ANG7406			

(2) CONTRAST TABLE

SC-07/KUXJ/CA and SC-05/KUXJ/CA are constructed the same except for the following:

Mark	No.	Symbol and Description	SC-07/KUXJ/CA	SC-05/KUXJ/CA
	2	D-MOTHER ASSY	AWX9136	AWX9201
	11	HDMI NETWORK ASSY	AWX9135	AWX9190

9.4 REAR PANEL SECTION



REAR PANEL SECTION PARTS LIST

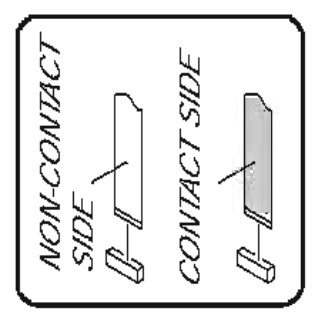
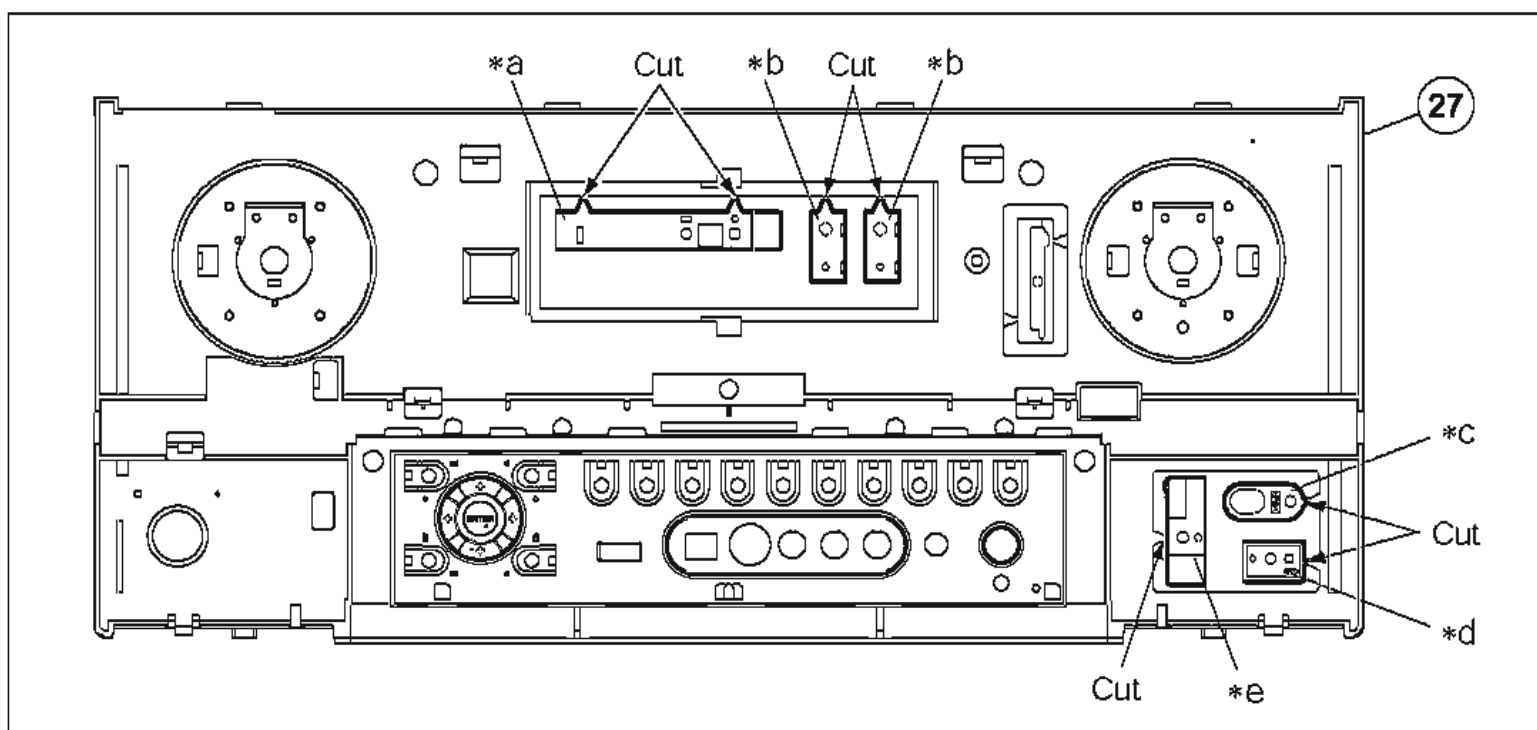
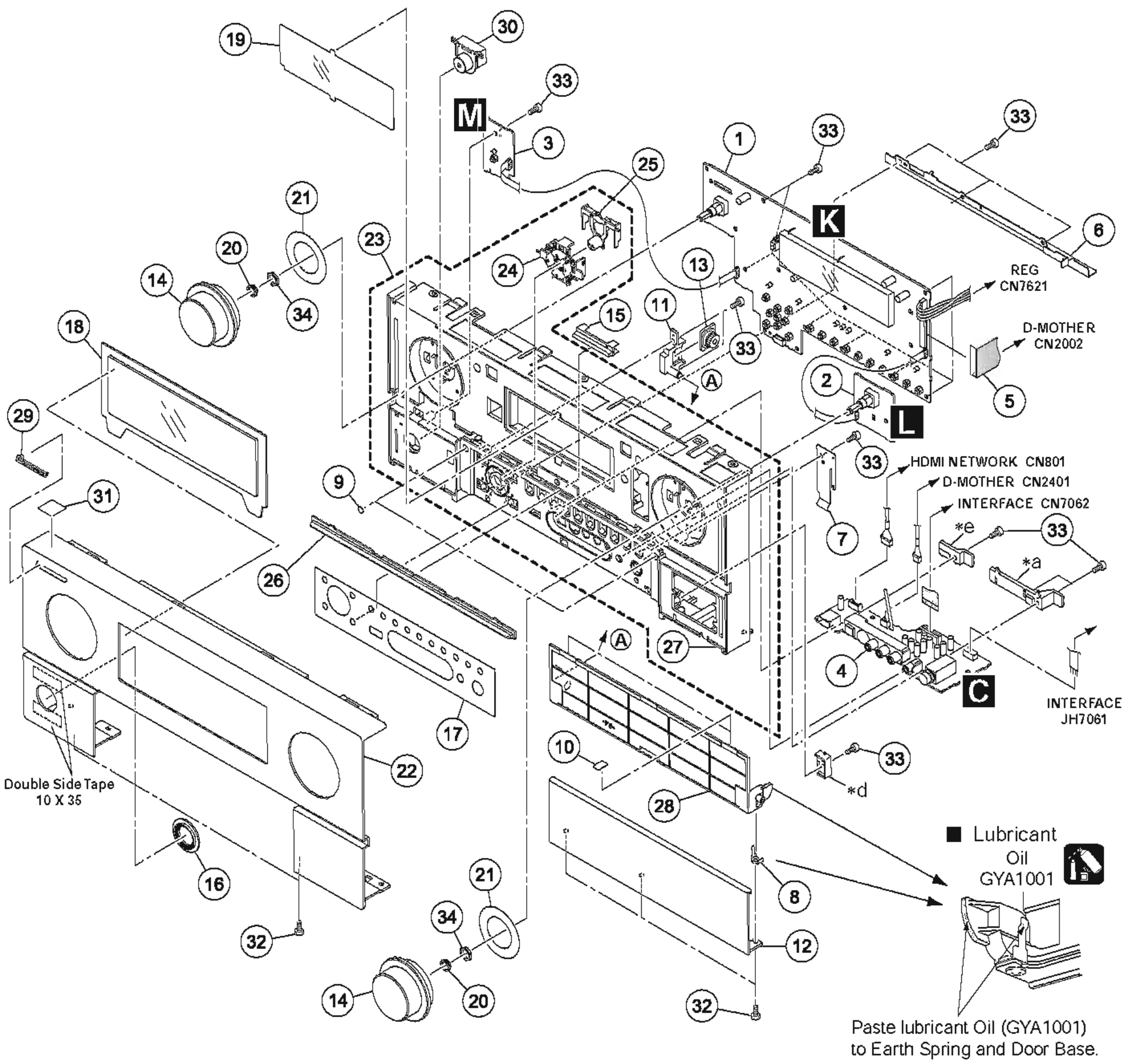
<u>Mark No.</u>	<u>Description</u>	<u>Part No.</u>	<u>Mark No.</u>	<u>Description</u>	<u>Part No.</u>
1	ICEPOWER AMP Assy	AWH7015	NSP 34	ICE COVER 81	ANF7047
2	COMPOSITE S ASSY	AWX9144	NSP 35	ICE BOX 81	ANF7052
3	ICE BUFFER ASSY	AWX9145			
4	PRE BRIDGE ASSY	AWX9146	NSP 36	Heatsink 81	ANH7202
5	ICE SHIELD ASSY	AWX9173	37	Insulator ICE	AMR7523
⚠ 6	PRIMARY ASSY	AWX9154	38	PCB Mold	AMR7536
7	V-BRIDGE ASSY	AWX9161	39	Damper Bushing	AEB7396
8	ICE INTERFACE ASSY	AWX9137	40	Cushion 5 x 8	AEB7397
9	COMPONENT ASSY	See Contrast table (2)	41	Push Rivet	AEC7071
10	ZOUT ASSY	AWX9143	42	PCB Spacer	AEC7080
			43	Card Spacer	AEC7133
11	FRONT BRIDGE ASSY	AWX9155	44	Nylon Rivet	AEC7406
12	AUDIO ASSY	AWX9139	45	Primary Barrier	AEC7569
13	PRIMARY GUARD ASSY	AWX9172			
14	FM/AM TUNER UNIT	AXX7250	46	SP Sheet 81	AEC7599
⚠ 15	FUSE (FU1:10A)	VEK1029	47	Card Spacer 18K	AEC7613
			48	Cushion Circle 14B	AED7081
16	21P FFC/60V (J2)	ADD7645	49	Radiation Sheet A	AEE7064
17	19P FFC/60V (J3)	ADD7646	50	Shield Case	AMR7526
18	17P FFC/60V (J4)	ADD7647			
19	13P FFC/60V (J5)	ADD7648	NSP 51	PCB Holder	PNW2100
20	17P FFC/60V (J6)	ADD7649	NSP 52	Spacer 40	PNW2488
			NSP 53	PCB Holder	REC1220
21	9P FFC/60V (J7)	ADD7650	54	Cushion 11 x 7	AED7092
22	11P FFC/60V (J8)	ADD7651	55	Screw 3 x 10	ABA7134
23	9P FFC/60V (J9)	ADD7652			
24	11FFC/60V (J11)	ADD7658	56	Screw	ABA7146
25	19FFC/60V (J12)	ADD7659	57	Terminal Screw	AKE-031-0
			58	Screw	BBZ30P060FCC
26	16FFC/60V (J14)	ADD7661	59	Screw	BBZ30P080FCC
27	4P Housing Assy (Y20)	ADX7622	60	Screw	BBZ30P080FTB
28	6P Housing Assy (Y22)	ADX7655			
29	6P Housing Assy (Y23)	ADX7656	61	Screw	BBZ30P100FCC
30	2P Housing Assy (Y24)	ADX7657	62	Screw	BBZ30P140FCC
			63	Screw	PMH30P080FCC
31	4P Housing Assy (Y25)	ADX7677	64	Label	VRW1629
⚠ 32	DC Fan Motor	AXM7040			
33	Rear Panel	See Contrast table (2)			

(2) CONTRAST TABLE

SC-07/KUXJ/CA and SC-05/KUXJ/CA are constructed the same except for the following:

Mark	No.	Symbol and Description	SC-07/KUXJ/CA	SC-05/KUXJ/CA
	9	COMPONENT ASSY	AWX9141	AWX9211
	33	Rear Panel	ANC8525	ANC8532

9.5 FRONT PANEL SECTION



FRONT PANEL SECTION PARTS LIST

<u>Mark No.</u>	<u>Description</u>	<u>Part No.</u>	<u>Mark No.</u>	<u>Description</u>	<u>Part No.</u>
1	DISPLAY ASSY	See Contrast table (2)	19	Filter 07KU	AAK8443
2	VOL ASSY	AWX9159	20	Vol Ring 60	ABH7249
3	POWER SW ASSY	AWX9160			
4	FRONT IN ASSY	AWX9142	21	Knob Spacer 74	AEC7558
5	29FFC/60V (J18)	ADD7665	22	Front Panel	See Contrast table (2)
			23	P Base 07KU Assy	AZN8037
6	Panel Beam 81	ANG7620	NSP 24	+ -Button 81	AAD7788
7	Door Spring	ABK7061	NSP 25	Enter Button 81	AAD7789
8	Earth Spring 81	ABK7067			
9	Cushion Circle 6B	AED7083	26	Center Lens V5SH	AAK8428
10	Cushion 11 x 7	AED7092	NSP 27	Panel Base 07KU	AMB7987
			28	Door Base 81	AMR7540
11	Door Shaft 60	AMR7531	29	Pioneer Badge G	VAM1159
12	Door Panel 07KU	ANB7474	30	STDBY BTN 915K Assy	XAD3216
13	Damper Assy	AXA7156			
14	Vol.Knob B	AAA7052	NSP 31	Energy Star Label	AAX8022
15	IB Lens V5SEL	AAK8430	32	Screw	BBZ30P080FTB
			33	Screw	BBZ30P100FNI
16	Power Ring B	AAK8431	34	Nut	NK90FTC
17	Door Sheet 07KU	AAK8438			
18	Display Panel 07KU	AAK8441			

(2) CONTRAST TABLE

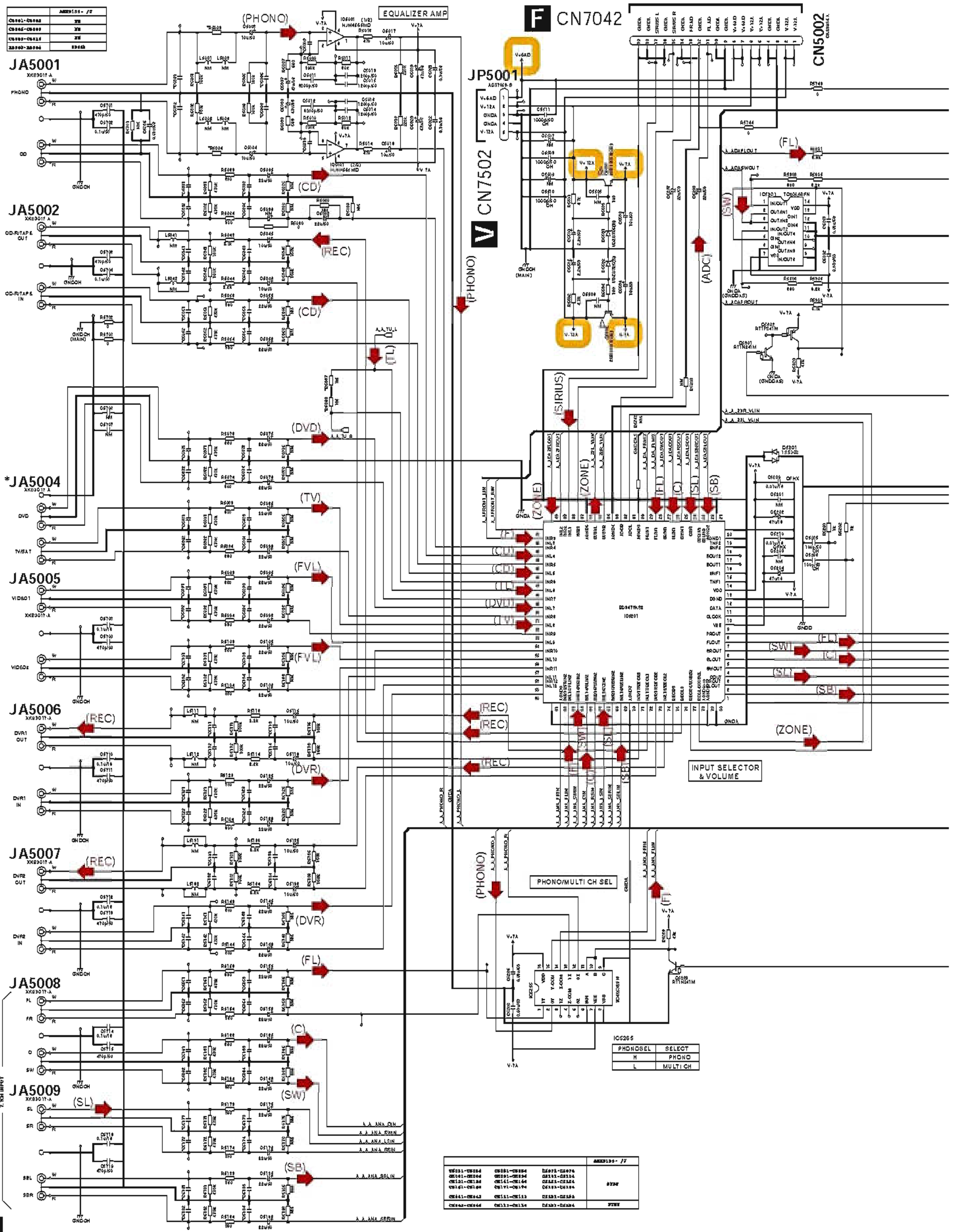
SC-07/KUXJ/CA and SC-05/KUXJ/CA are constructed the same except for the following:

Mark	No.	Symbol and Description	SC-07/KUXJ/CA	SC-05/KUXJ/CA
	1	DISPLAY ASSY	AWX9158	AWX9238
	22	Front Panel	ANB7472	ANB7486

10. SCHEMATIC DIAGRAM

10.1 AUDIO ASSY

Part No.	QTY	Remarks
05101-05102	2	
05103-05104	2	
05105-05106	2	
05107-05108	2	



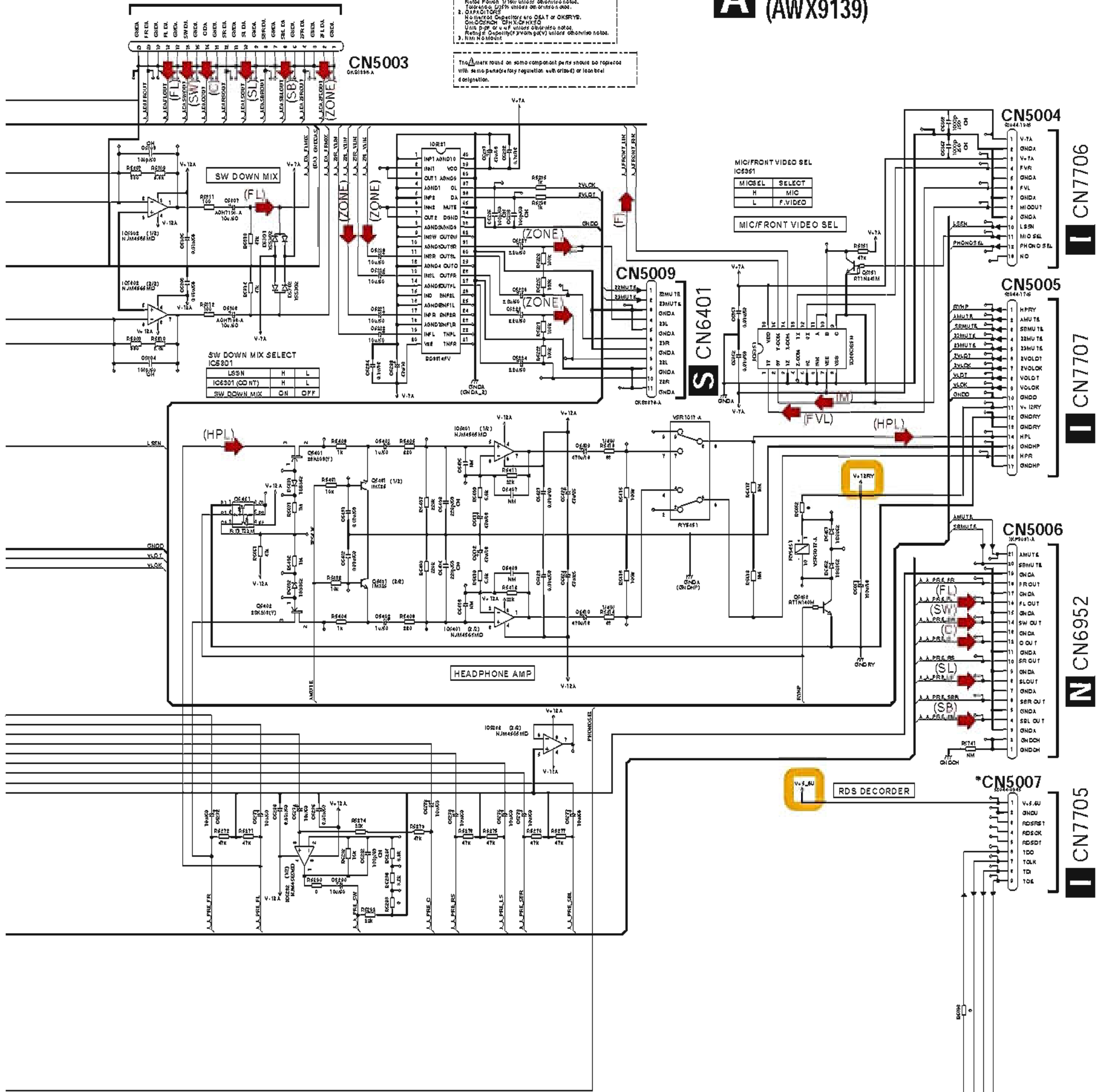
Part No.	QTY	Remarks
05101-05102	2	
05103-05104	2	
05105-05106	2	
05107-05108	2	
05109-05110	2	
05111-05112	2	
05113-05114	2	
05115-05116	2	
05117-05118	2	
05119-05120	2	
05121-05122	2	
05123-05124	2	
05125-05126	2	
05127-05128	2	
05129-05130	2	
05131-05132	2	
05133-05134	2	
05135-05136	2	
05137-05138	2	
05139-05140	2	
05141-05142	2	
05143-05144	2	
05145-05146	2	
05147-05148	2	
05149-05150	2	
05151-05152	2	
05153-05154	2	
05155-05156	2	
05157-05158	2	
05159-05160	2	
05161-05162	2	
05163-05164	2	
05165-05166	2	
05167-05168	2	
05169-05170	2	
05171-05172	2	
05173-05174	2	
05175-05176	2	
05177-05178	2	
05179-05180	2	
05181-05182	2	
05183-05184	2	
05185-05186	2	
05187-05188	2	
05189-05190	2	
05191-05192	2	
05193-05194	2	
05195-05196	2	
05197-05198	2	
05199-05200	2	

PHONOSEL	SELECT
H	PHONO
L	MULTI CH

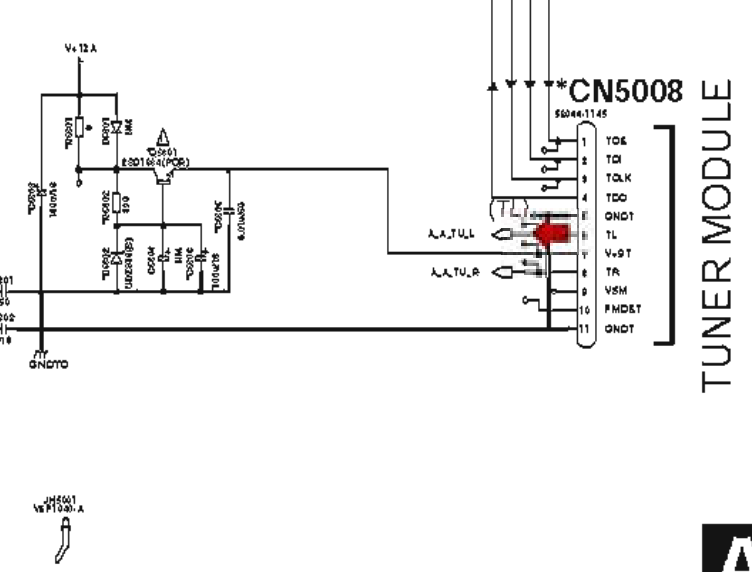
F CN7041

A AUDIO ASSY (AWX9139)

NOTE
 1. If a component is marked with a triangle, it is a critical component. Do not replace with a component of different specification unless otherwise noted.
 2. If a component is marked with a square, it is a critical component. Do not replace with a component of different specification unless otherwise noted.
 3. If a component is marked with a circle, it is a critical component. Do not replace with a component of different specification unless otherwise noted.



- | | |
|---|--|
| (F) → Audio Signal Route (L ch) | (SIRIUS) → Audio Signal Route (SIRIUS L ch) |
| (FVL) → Audio Signal Route (Video L ch) | (ZONE) → Audio Signal Route (Zone L ch) |
| (TV) → Audio Signal Route (TV L ch) | (ADC) → Audio Signal Route (ADC L ch) |
| (CD) → Audio Signal Route (CD L ch) | (REC) → Audio Signal Route (REC L ch) |
| (DVD) → Audio Signal Route (DVD L ch) | (FL) → Audio Signal Route (Front L ch) |
| (DVR) → Audio Signal Route (DVR L ch) | (SL) → Audio Signal Route (Surround L ch) |
| (TL) → Audio Signal Route (Tuner L ch) | (C) → Audio Signal Route (Center) |
| (PHONO) → Audio Signal Route (Phono L ch) | (SB) → Audio Signal Route (Surround Back L ch) |
| (M) → Audio Signal Route (Mic) | (SW) → Audio Signal Route (Subwoofer) |
| (HPL) → Audio Signal Route (Headphone L ch) | |



I CN7706

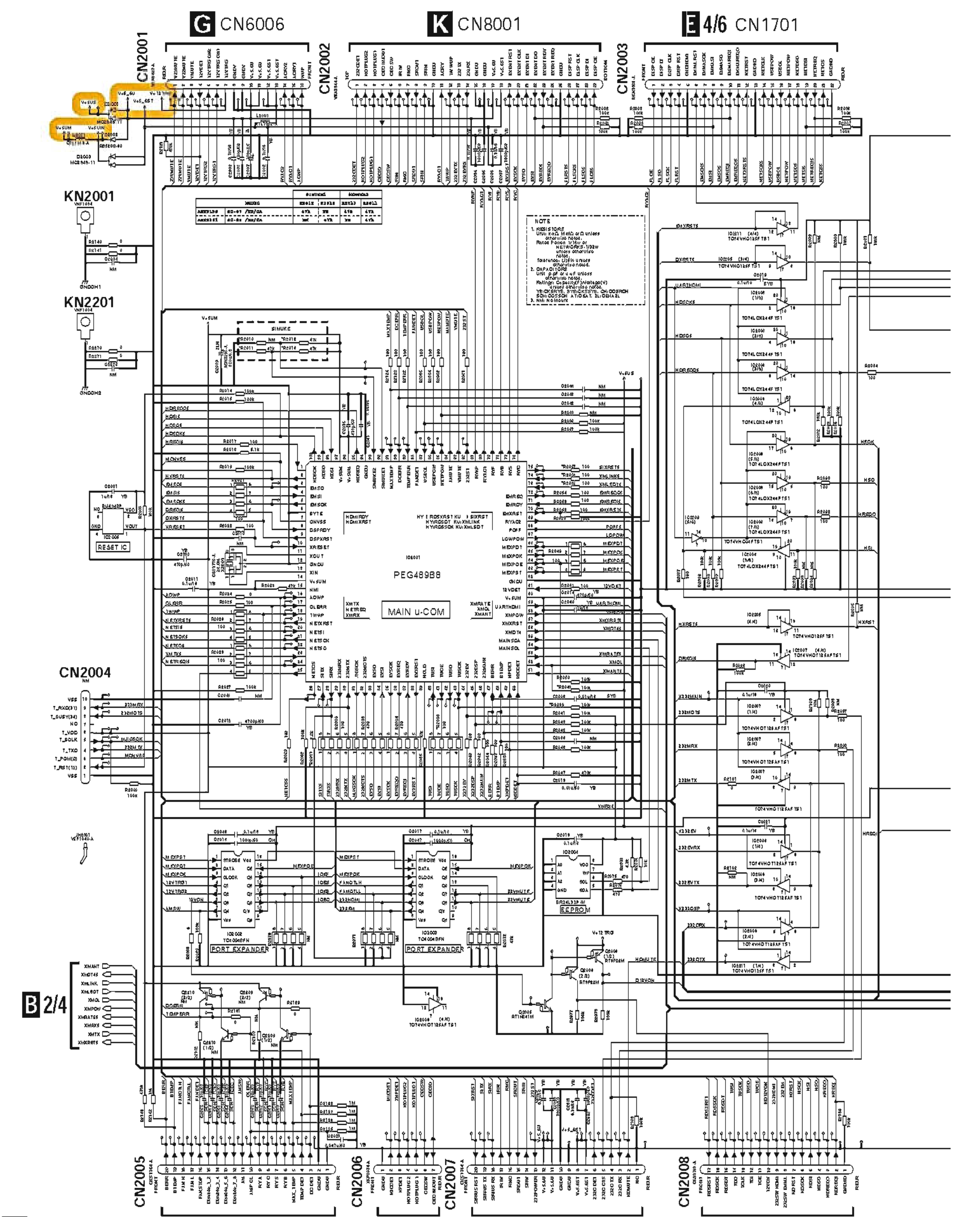
I CN7707

N CN6952

I CN7705

TUNER MODULE

10.2 D-MOTHER ASSY (1/4)

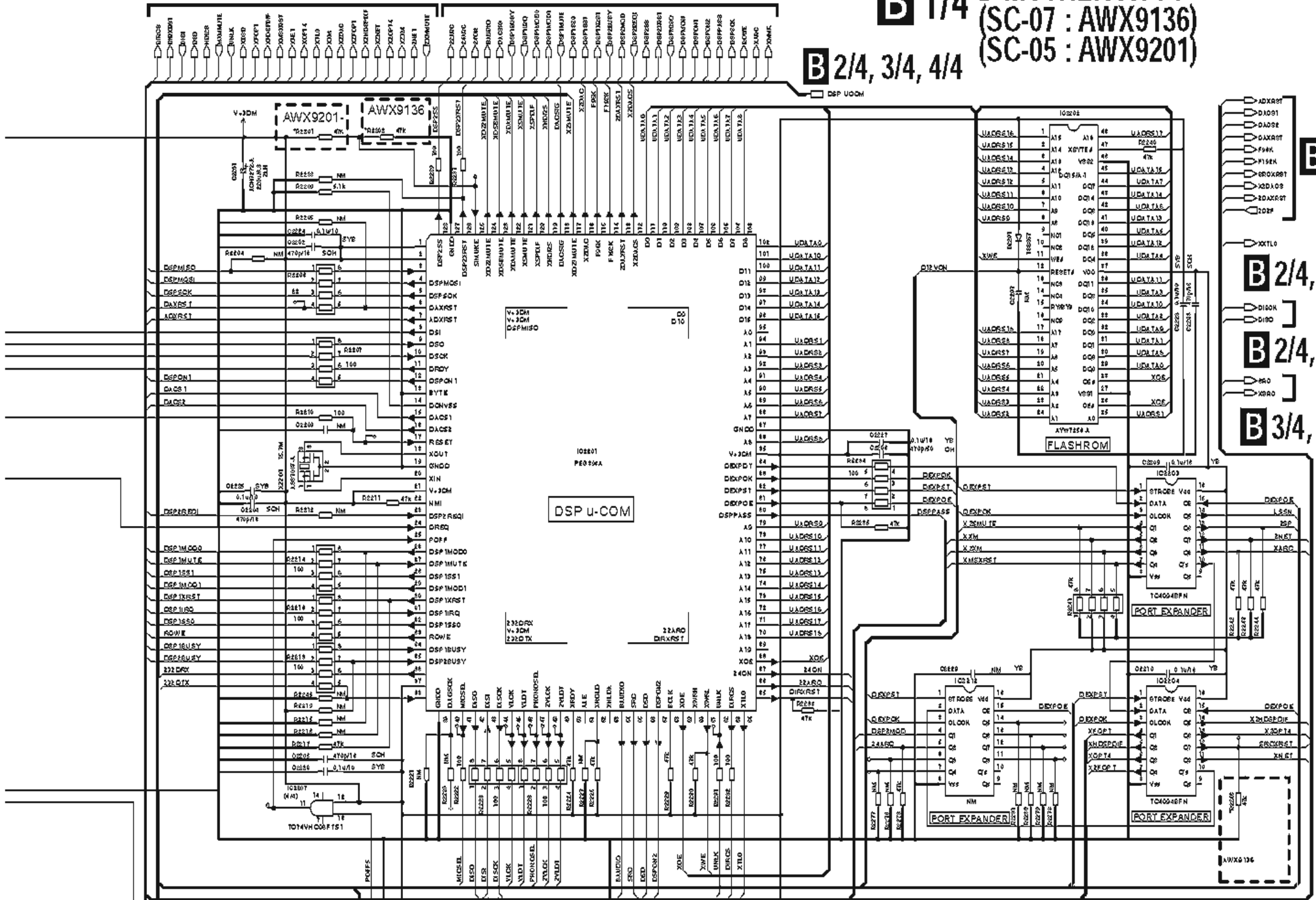


B 2/4

B 3/4

B 1/4 D-MOTHER ASSY
(SC-07 : AWX9136)
(SC-05 : AWX9201)

B 2/4, 3/4, 4/4



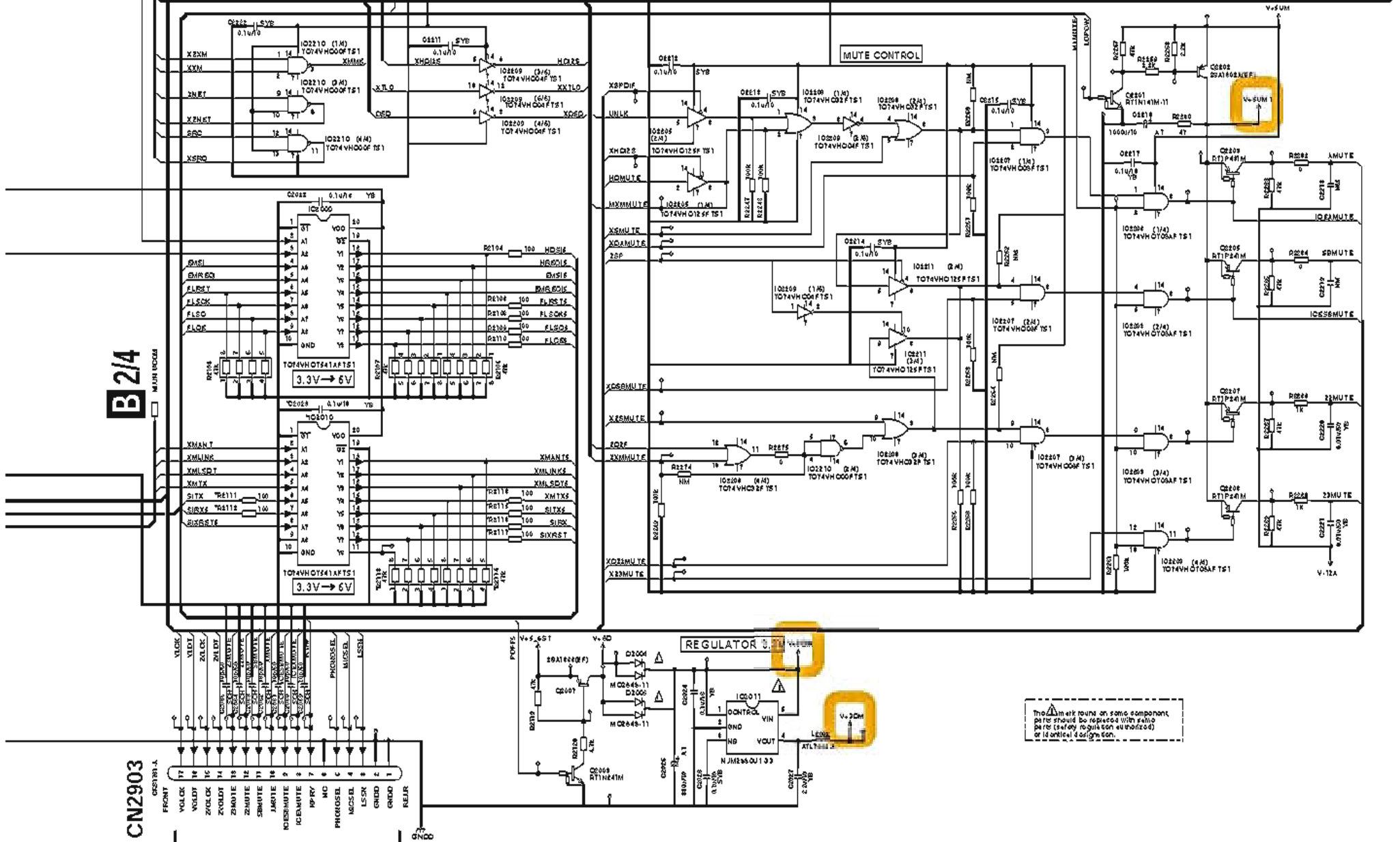
B 4/4

B 2/4, 3/4

B 2/4, 4/4

B 3/4, 4/4

B 2/4

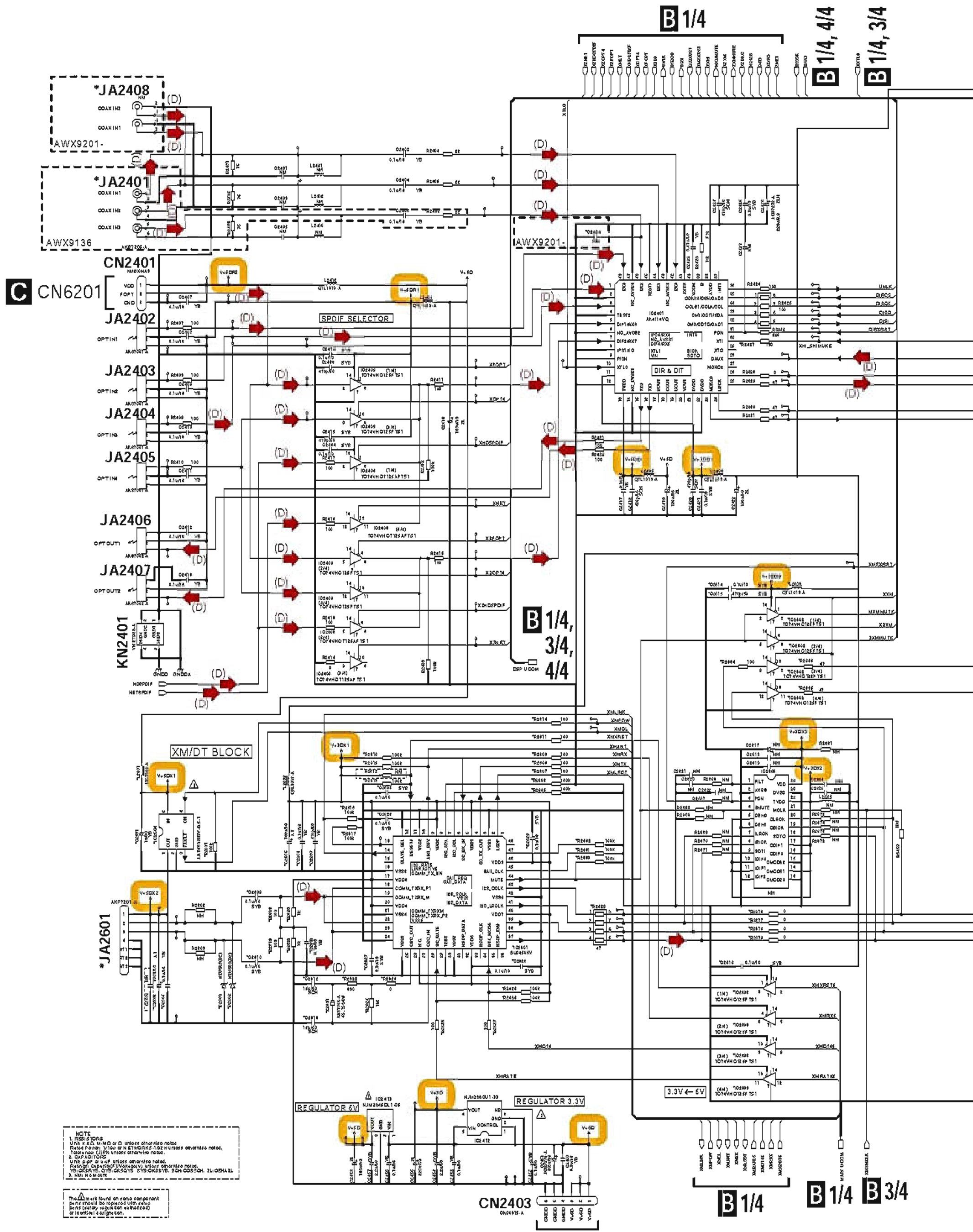


The triangle points to same component parts should be replaced with ratio or better safety, replace with original or if artificial origin.

F CN7004

B 1/4

10.3 D-MOTHER ASSY (2/4)

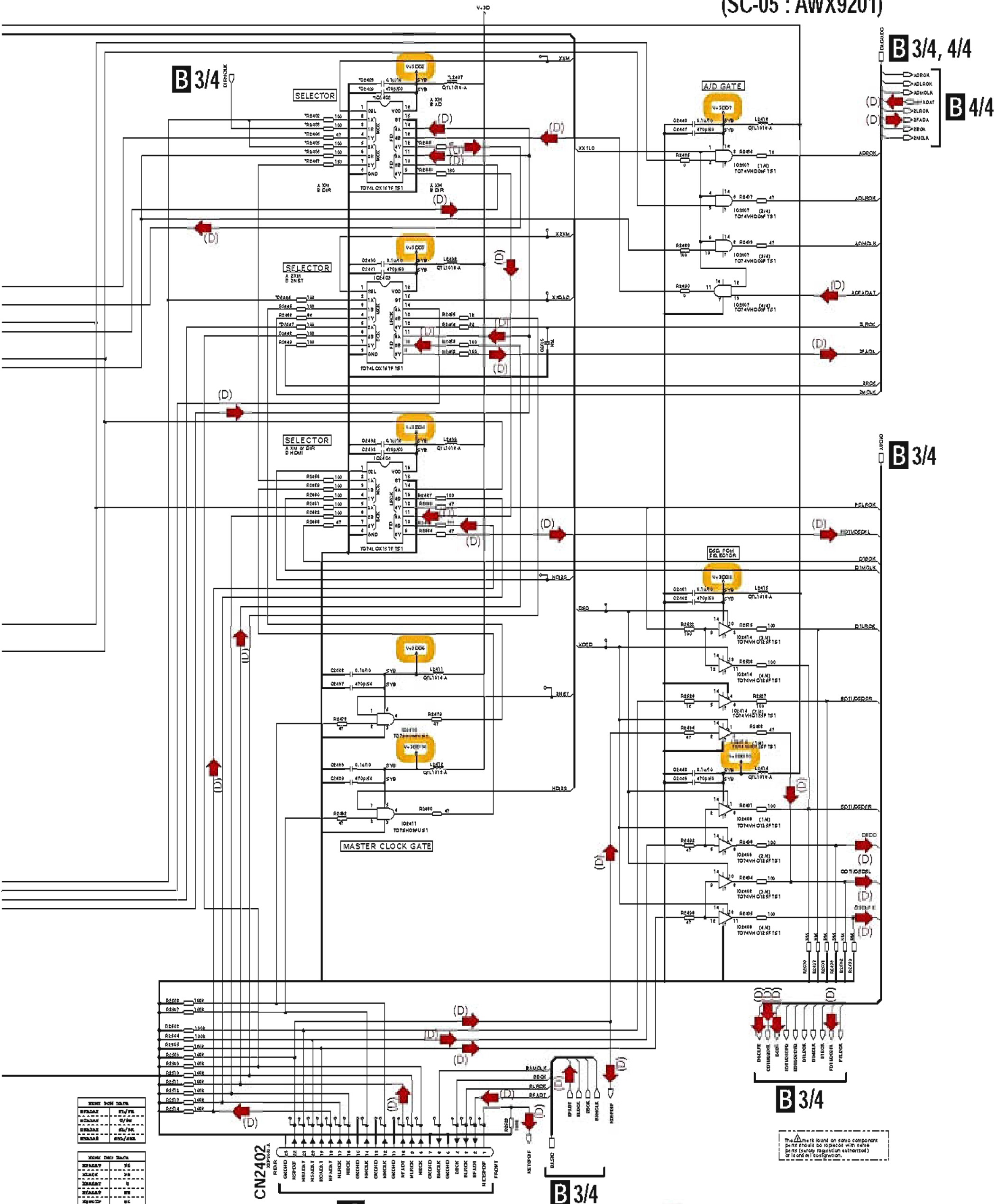


NOTES
 1. RESISTORS
 UNLESS SPECIFIED IN MILLI OHMS OR OHMS OTHERWISE NOTED.
 2. CAPACITORS
 UNLESS SPECIFIED IN MICRO FARADS OR FARADS OTHERWISE NOTED.
 3. DIMENSIONS
 UNLESS SPECIFIED IN MILLIMETERS OTHERWISE NOTED.
 4. DIMENSIONS
 UNLESS SPECIFIED IN INCHES OTHERWISE NOTED.
 5. DIMENSIONS
 UNLESS SPECIFIED IN MILLIMETERS OTHERWISE NOTED.
 6. DIMENSIONS
 UNLESS SPECIFIED IN INCHES OTHERWISE NOTED.
 7. DIMENSIONS
 UNLESS SPECIFIED IN MILLIMETERS OTHERWISE NOTED.
 8. DIMENSIONS
 UNLESS SPECIFIED IN INCHES OTHERWISE NOTED.
 9. DIMENSIONS
 UNLESS SPECIFIED IN MILLIMETERS OTHERWISE NOTED.
 10. DIMENSIONS
 UNLESS SPECIFIED IN INCHES OTHERWISE NOTED.

B 2/4

F CN7009

B 2/4 D-MOTHER ASSY
 (SC-07 : AWX9136)
 (SC-05 : AWX9201)



WAVEFORM DATA	
SPADAT	1/1
SPADAT	1/1
SPADAT	1/1
SPADAT	1/1
SPADAT	1/1
SPADAT	1/1
SPADAT	1/1
SPADAT	1/1
SPADAT	1/1
SPADAT	1/1

WAVEFORM DATA	
SPADAT	1/1
SPADAT	1/1
SPADAT	1/1
SPADAT	1/1
SPADAT	1/1
SPADAT	1/1
SPADAT	1/1
SPADAT	1/1
SPADAT	1/1
SPADAT	1/1

The triangle found on some component parts should be replaced with some parts (swap registration authorized) to be used in the original location.

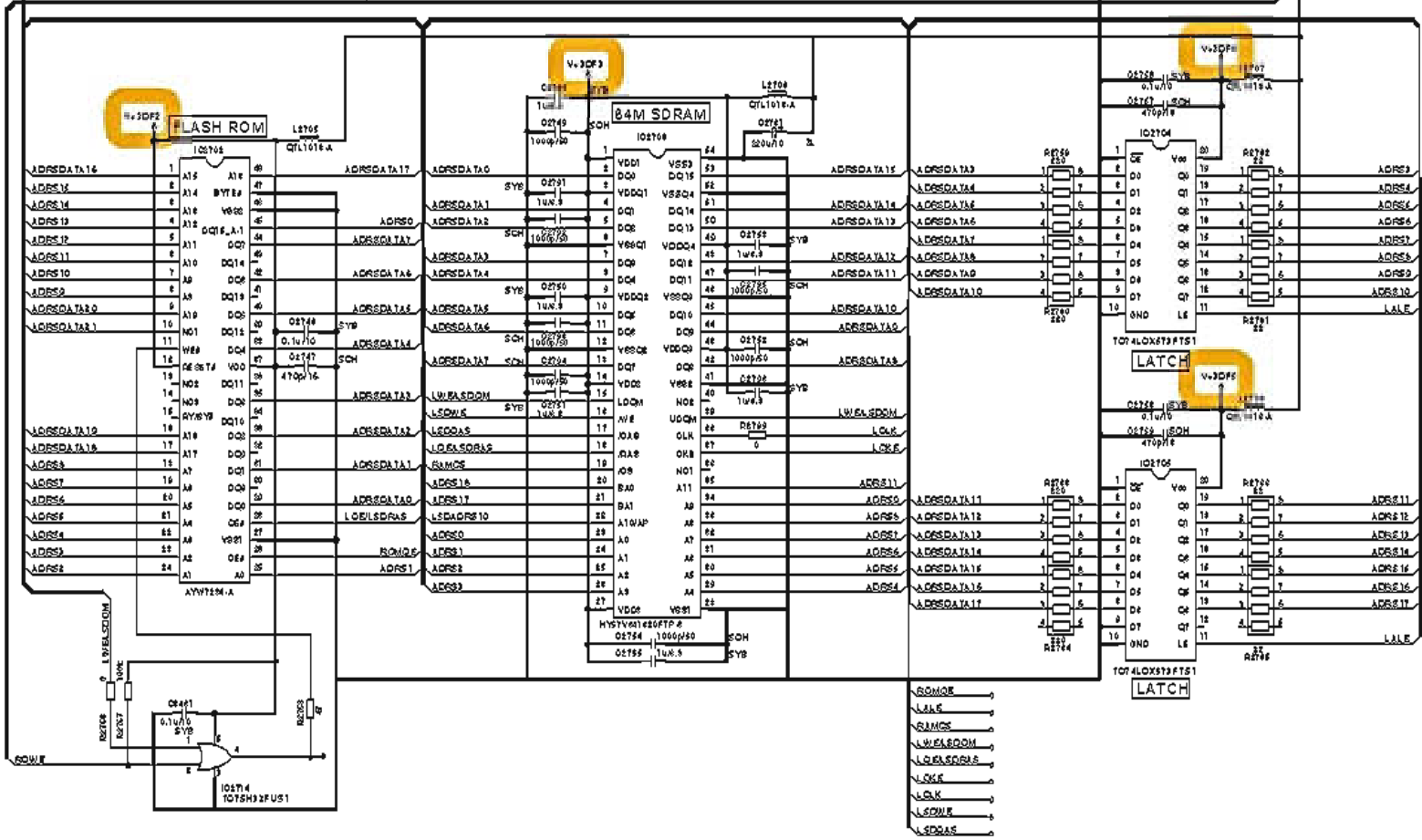
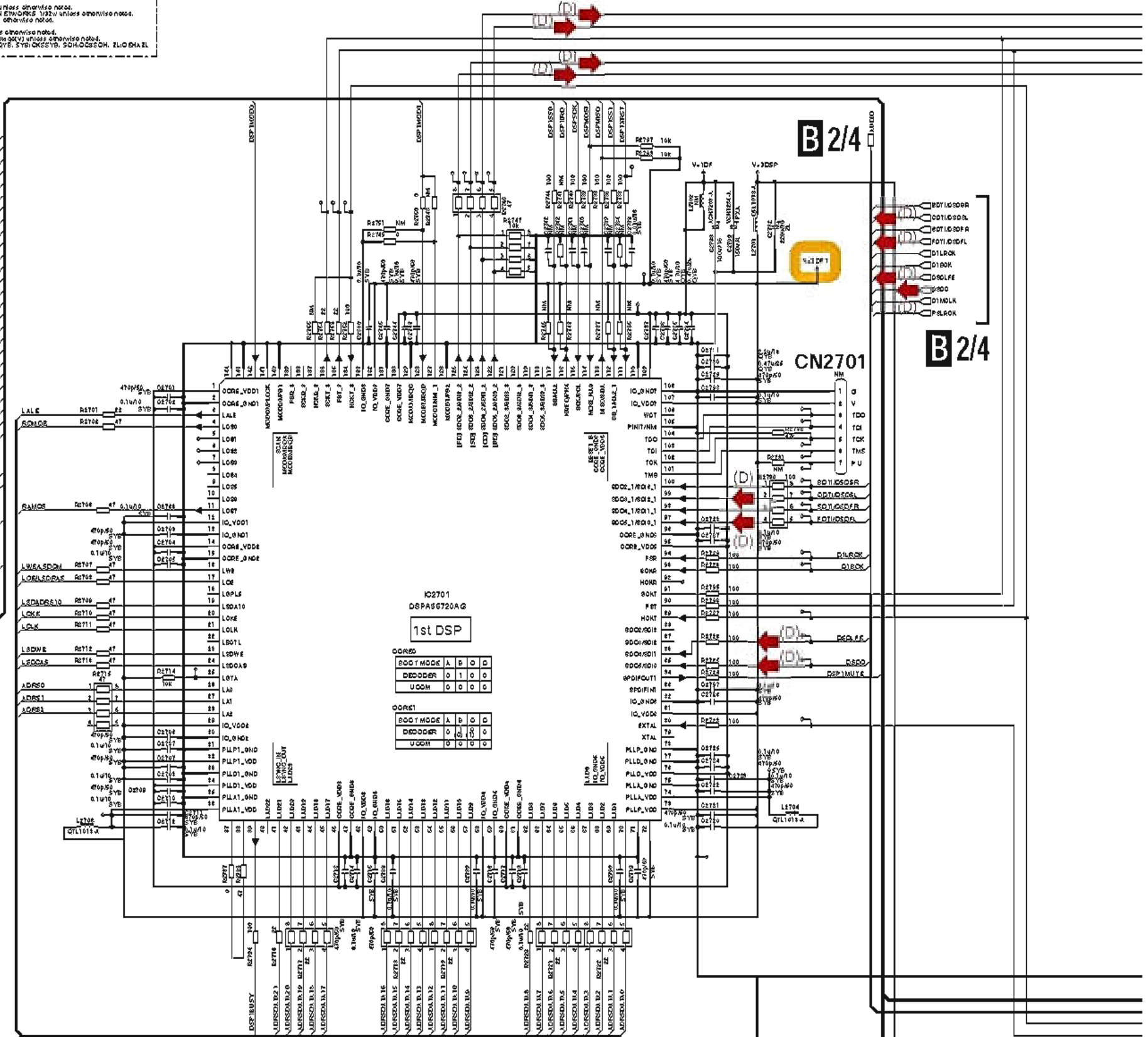
F CN7008

(D) : Audio Data Route

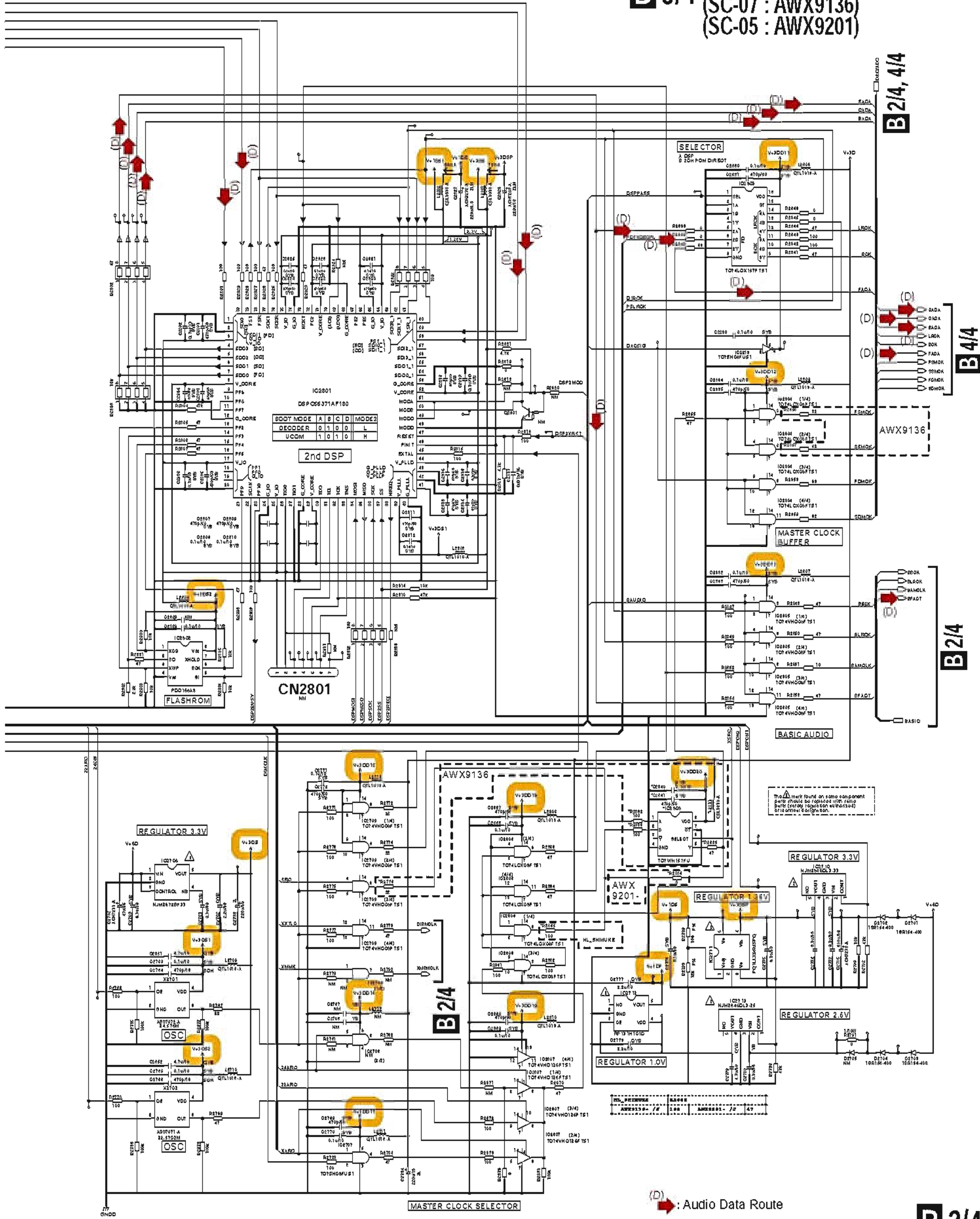
10.4 D-MOTHER ASSY (3/4)

NOTE
 1. RESISTORS
 UNITS: K=K, M=M, Ω=Ω, unless otherwise noted.
 R1000=10K, R100=1K, R10=100Ω, unless otherwise noted.
 2. CAPACITORS
 UNITS: P=P, U=μF, unless otherwise noted.
 F1000=1000pF, F100=100pF, unless otherwise noted.
 Y1000=1000pF, Y100=100pF, unless otherwise noted.
 3. DIM. NO. MUST

- B 1/4
- B 1/4, 4/4
- B 1/4, 2/4
- B 1/4
- B 1/4, 2/4, 4/4



B 3/4 D-MOTHER ASSY
 (SC-07 : AWX9136)
 (SC-05 : AWX9201)



B 2/A, 4/A

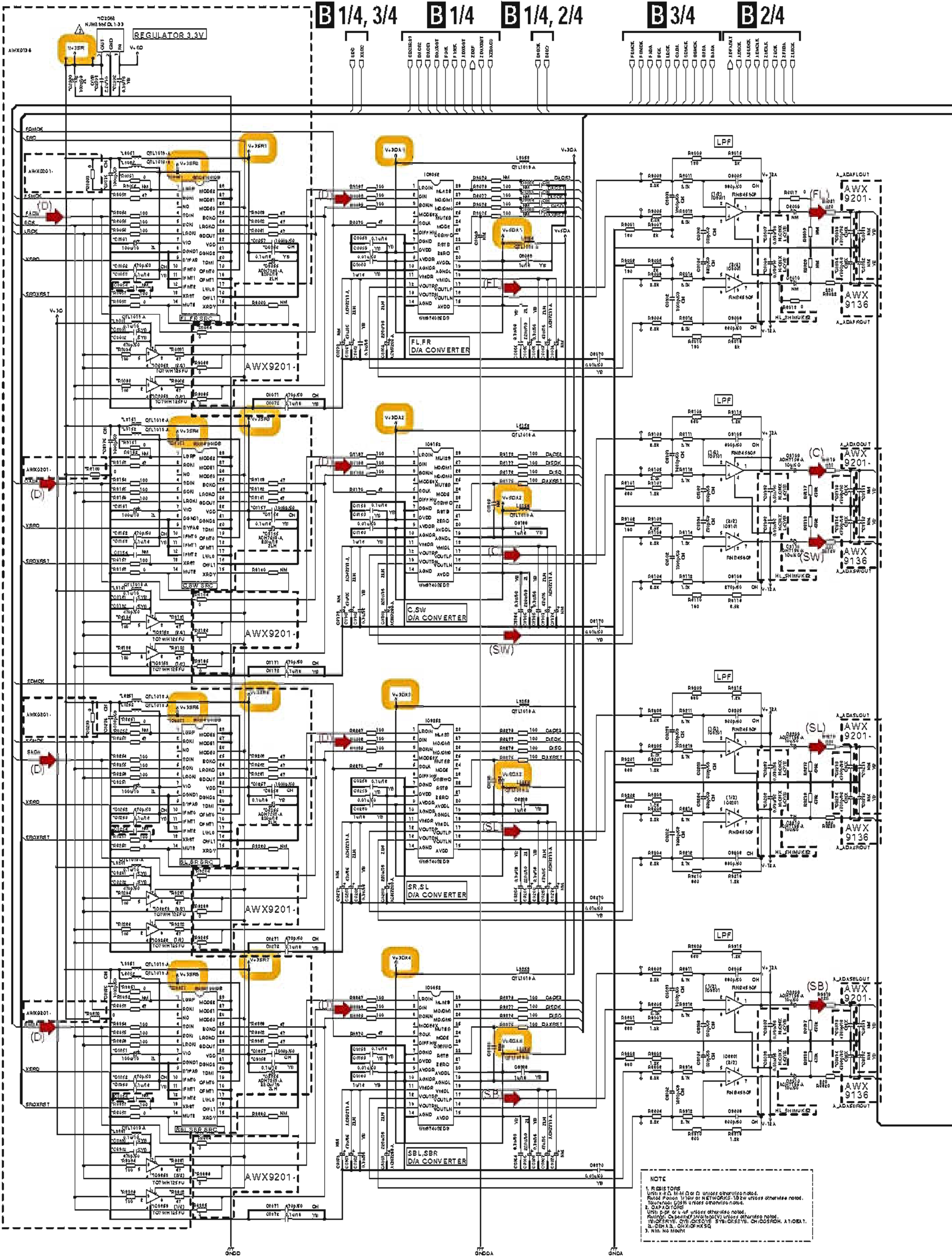
B 4/A

B 2/A

(D) Audio Data Route

B 3/4

10.5 D-MOTHER ASSY (4/4)



NOTE
 1. RESISTORS
 UNLESS OTHERWISE NOTED, RESISTOR VALUES ARE IN OHMS UNLESS OTHERWISE NOTED.
 2. CAPACITORS
 UNLESS OTHERWISE NOTED, CAPACITOR VALUES ARE IN PICO FARADS (PF) UNLESS OTHERWISE NOTED.
 3. DIMENSIONS
 UNLESS OTHERWISE NOTED, DIMENSIONS ARE IN MILLIMETERS UNLESS OTHERWISE NOTED.
 4. DIMENSIONS IN PARENTHESES ARE FOR REFERENCE ONLY.
 5. DIMENSIONS IN SQUARE BRACKETS ARE FOR REFERENCE ONLY.
 6. DIMENSIONS IN CIRCLES ARE FOR REFERENCE ONLY.
 7. DIMENSIONS IN TRIANGLES ARE FOR REFERENCE ONLY.
 8. DIMENSIONS IN DIAMETERS ARE FOR REFERENCE ONLY.
 9. DIMENSIONS IN SQUARE ROOTS ARE FOR REFERENCE ONLY.
 10. DIMENSIONS IN BRACKETS ARE FOR REFERENCE ONLY.

B 4/4 D-MOTHER ASSY
(SC-07 : AWX9136)
(SC-05 : AWX9201)

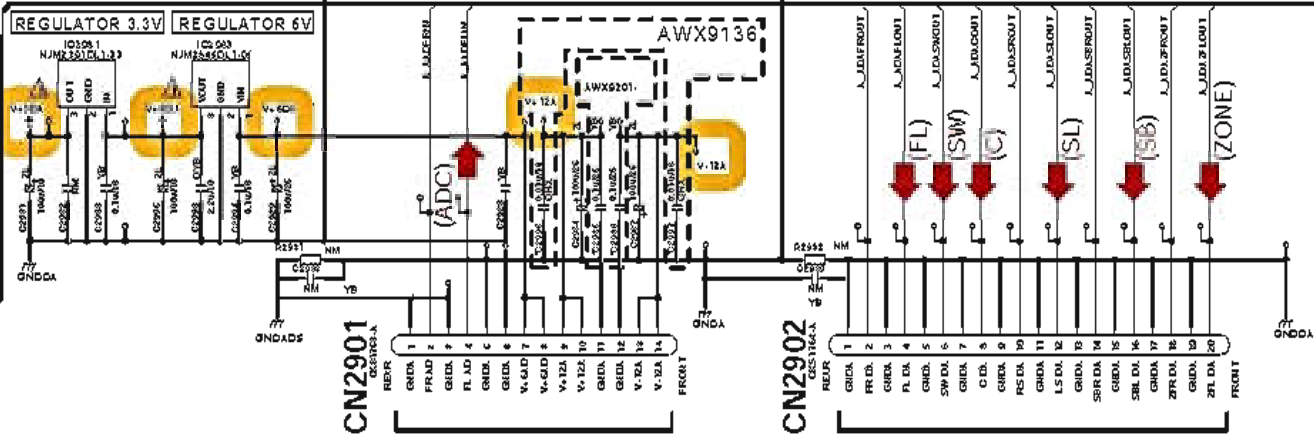
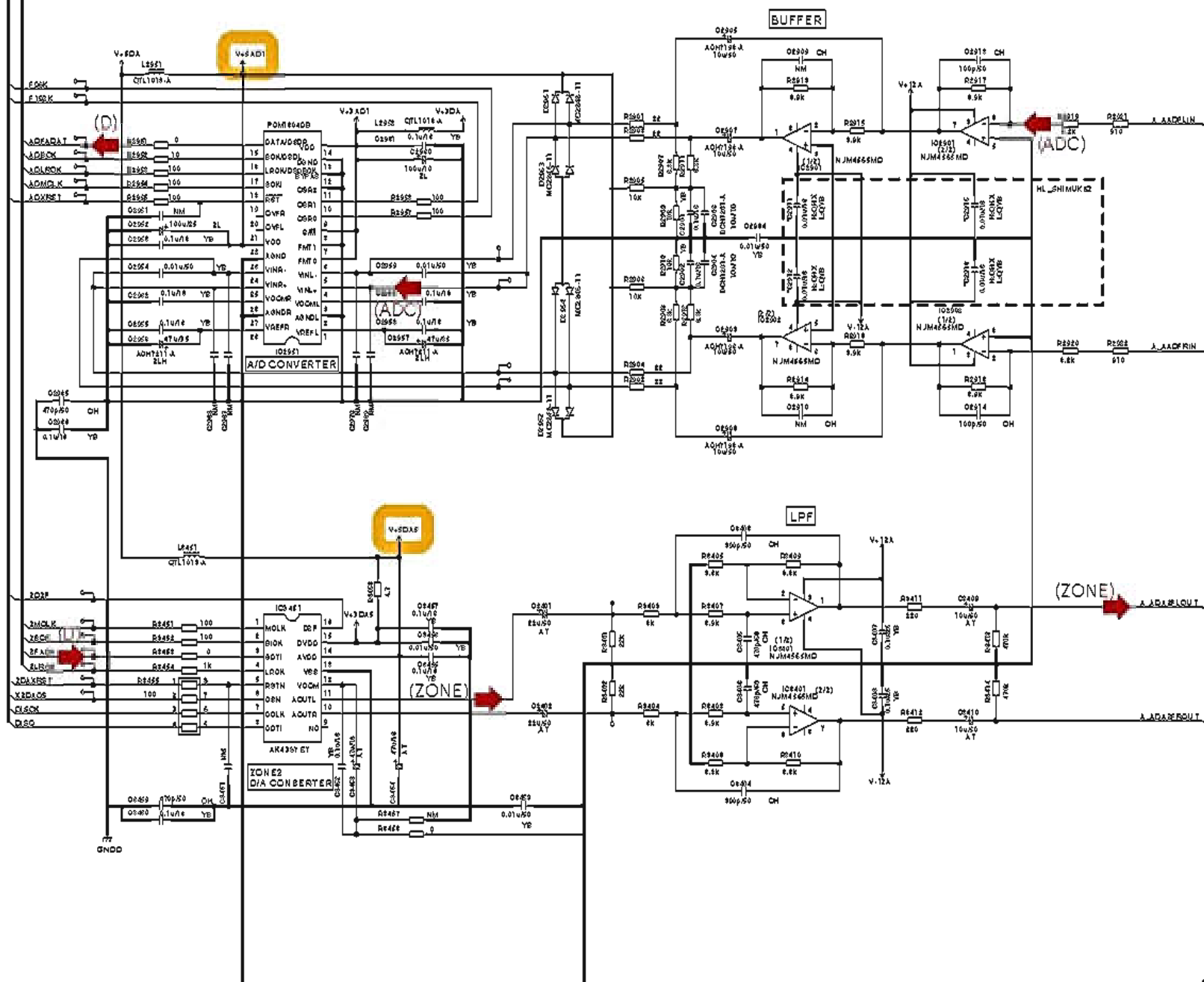
B 2/4, 3/4

B 1/4, 2/4, 3/4

DL SHIMUKI						
	C2811	C2812	C2813	C2814	C2807	C2808
AWX9201- /G	0.01u/16 QYM	0.01u/16 QYM	0.01u/16 QYM	0.01u/16 QYM	0.01u/16 QYM	0.01u/16 QYM
AWX9201- /G	0.01u/50 QYB	0.01u/50 QYB	0.01u/50 QYB	0.01u/50 QYB	0.01u/50 QYB	0.01u/50 QYB

	C3107	C3108	C3307	C3208	C3307	C3208
AWX9201- /G	0.01u/50 QYB	0.01u/50 QYB	0.01u/50 QYB	0.01u/50 QYB	0.01u/50 QYB	0.01u/50 QYB

- (D) : Audio Data Route
- (ZONE) : Audio Signal Route (Zone L ch)
- (ADC) : Audio Signal Route (ADC L ch)
- (FL) : Audio Signal Route (Front L ch)
- (SL) : Audio Signal Route (Surround L ch)
- (C) : Audio Signal Route (Center)
- (SB) : Audio Signal Route (Surround Back L ch)
- (SW) : Audio Signal Route (Subwoofer)



The mark found on some component parts should be replaced with the no part (any regulation authorized) of identical designation.

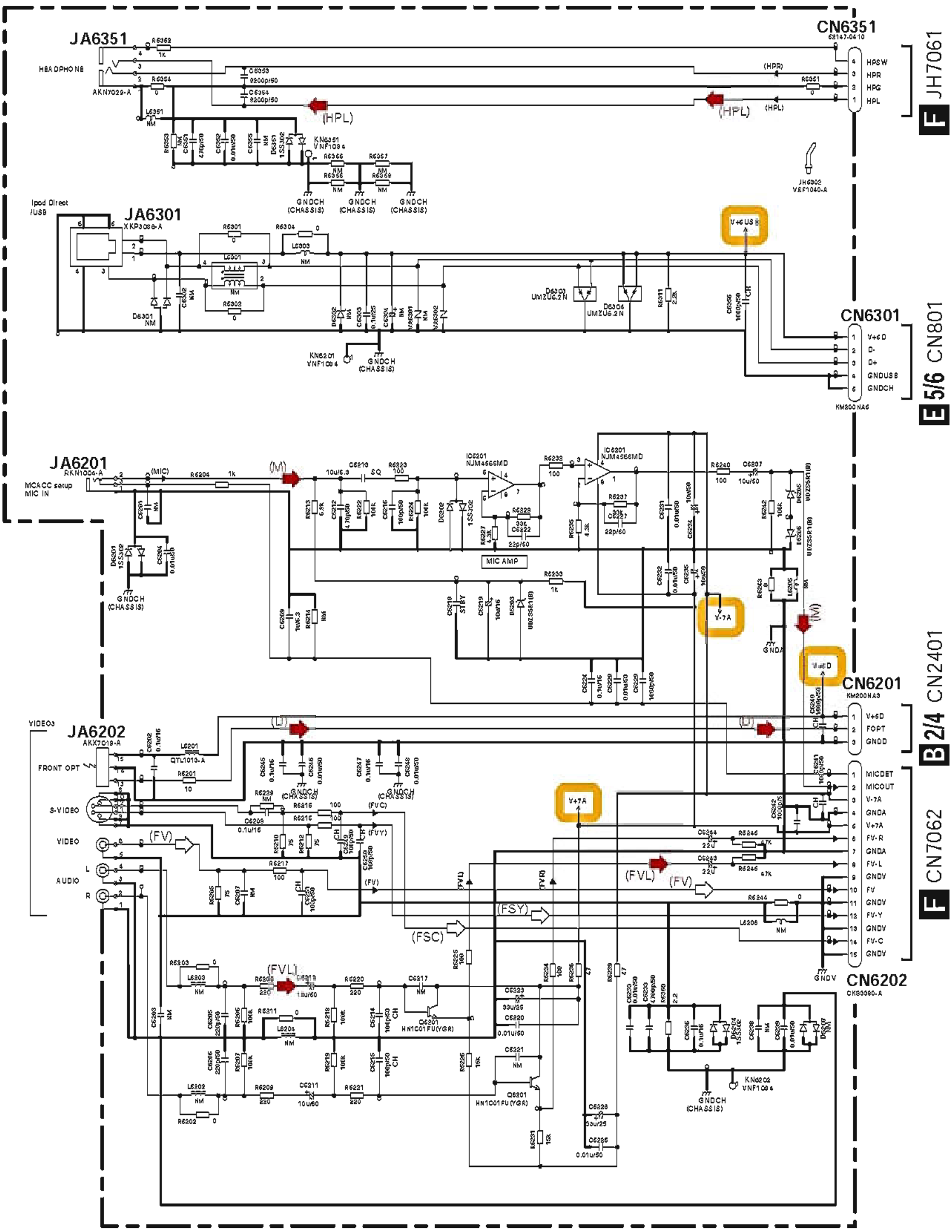
F CN7007

F CN7006

B 4/4

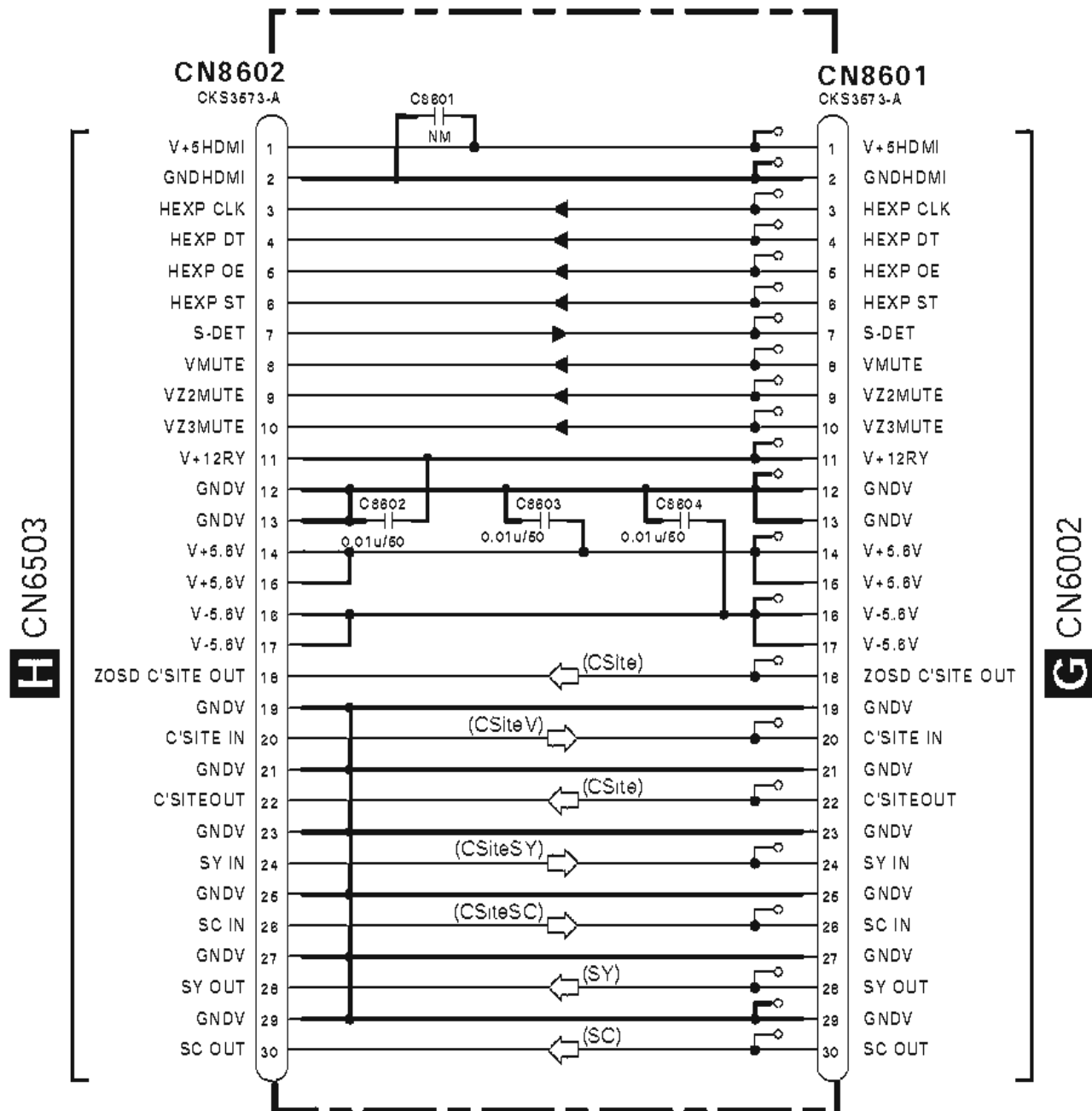
10.6 FRONT IN and V-BRIDGE ASSYS

C FRONT IN ASSY (AWX9142)



NOTE
 1. RESISTORS
 Unit: k-k Ω, M-M Ω or Ω unless
 otherwise noted.
 Rated Power: 1/10W unless
 otherwise noted.
 Tolerance: (J)5% unless
 otherwise noted.
 2. CAPACITORS
 Unit: p-pF or μ-u-F unless
 otherwise noted.
 Rating: Capacity(F)/Voltage(V)
 unless otherwise noted.
 CH: COILS
 NO MARKED: CKSRY B
 3. NM: No Mount

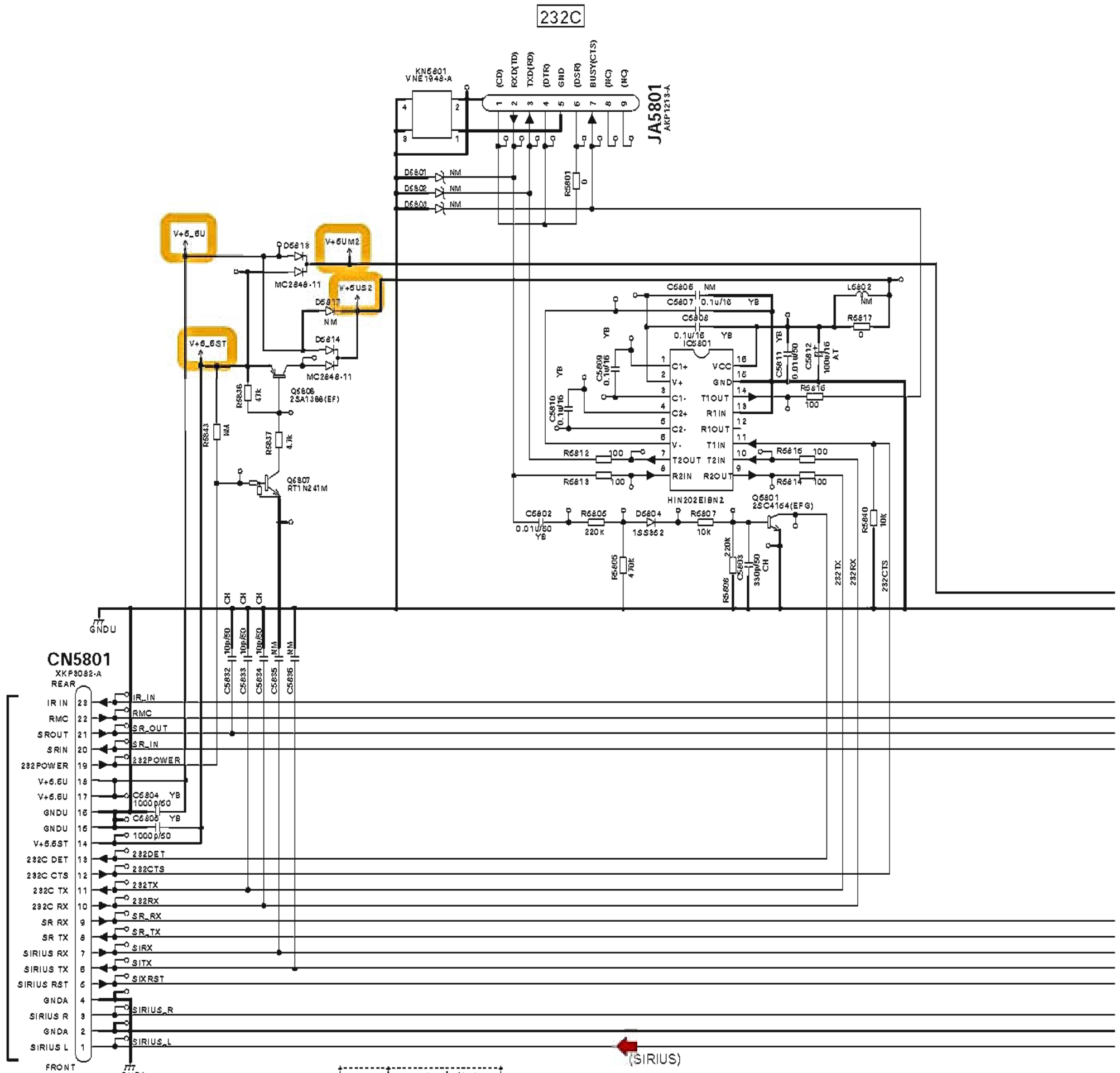
J V-BRIDGE ASSY (AWX9161)



- (FSC) → S-Video Signal Route (Front C)
- (FSY) → S-Video Signal Route (Front Y)
- (FV) → Video Signal Route (Video)
- (D) → Audio Data Route
- (FVL) → Audio Signal Route (Video L ch)
- (M) → Audio Signal Route (Mic)
- (HPL) → Audio Signal Route (Headphone L ch)
- (SC) → S-Video Signal Route (C)
- (SY) → S-Video Signal Route (Y)
- (CSiteSC) → Video Signal Route (Composite C)
- (CSiteSY) → Video Signal Route (Composite Y)
- (CSiteV) → Video Signal Route (Composite Video)
- (CSite) → Video Signal Route (Composite)

10.7 232C & CONTROL ASSY

F CN7021

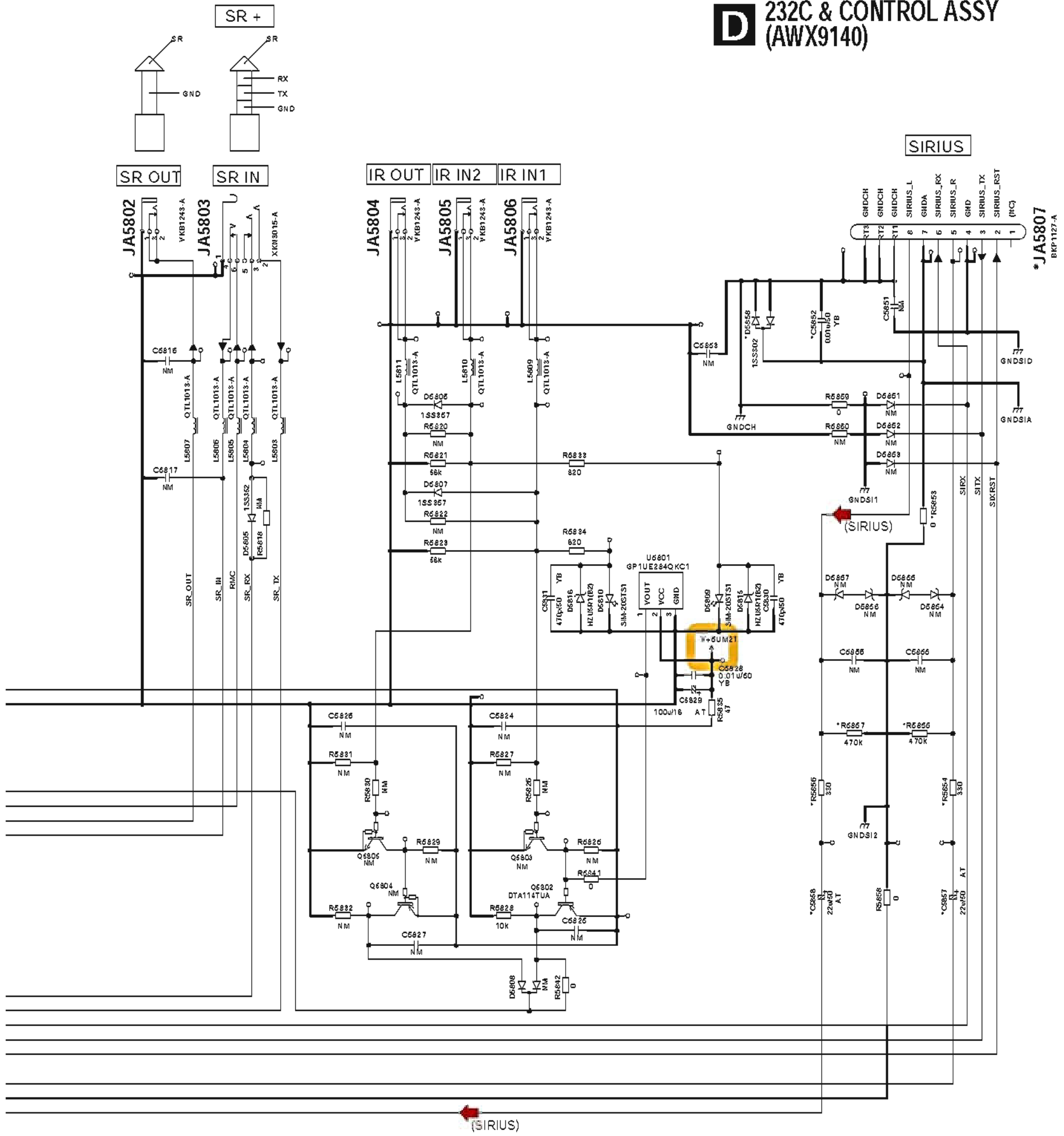


	BC-07 80-06	/K0/Ch
	AWR2140- /4	
C5852	0.01u/50	
C5857	22u/50	
C5858	22u/50	
R5851	5K	
R5852	5K	
R5853	0	
R5854	220	
R5855	470k	
R5856	330	
R5857	470k	
R5861	5K	
R5862	5K	
D5858	15B302	
JA5801	AKP1213-A	
KN5802	5K	

(SIRIUS)

D

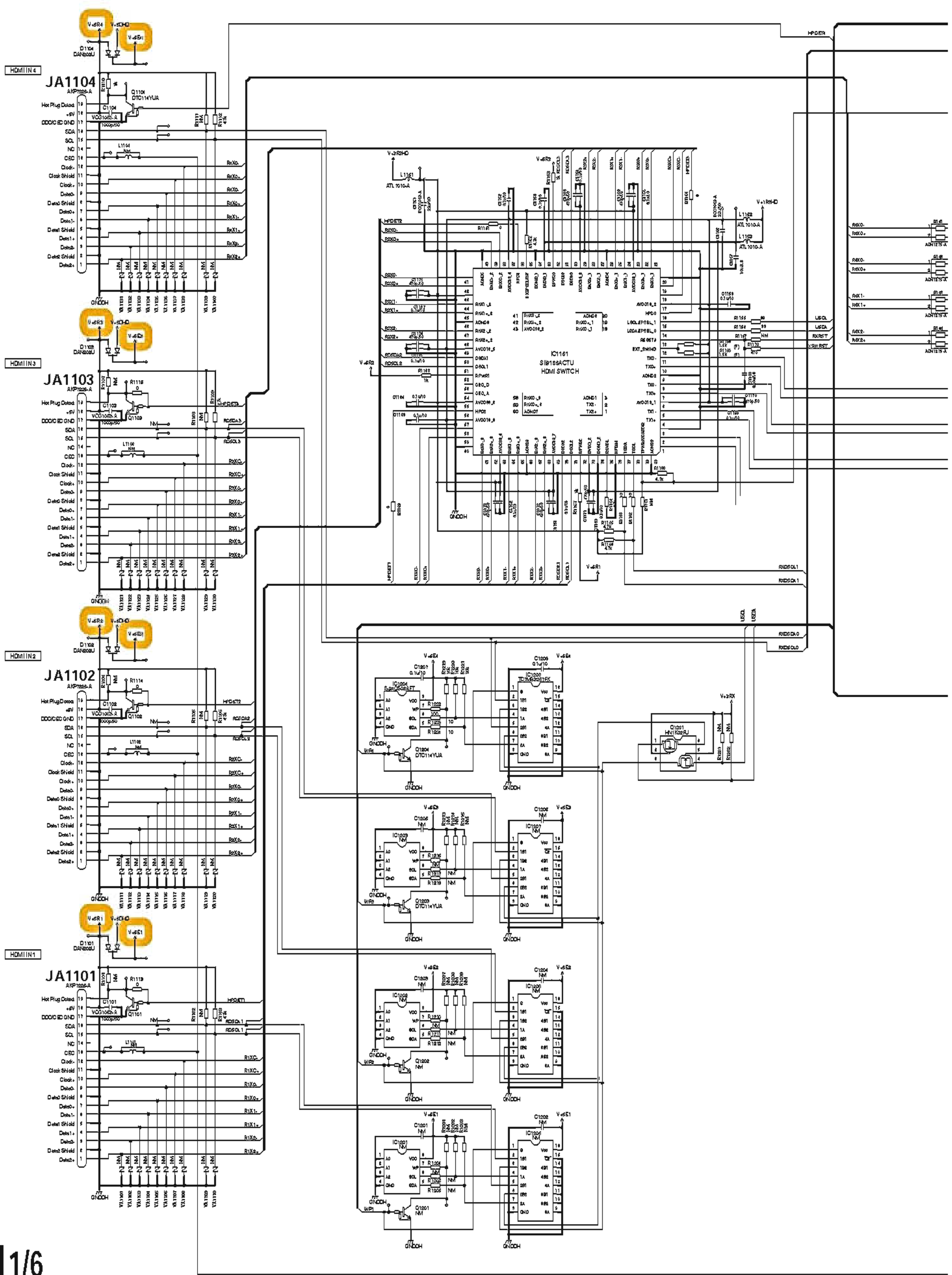
D 232C & CONTROL ASSY (AWX9140)



(SIRIUS) → Audio Signal Route (SIRIUS L ch)

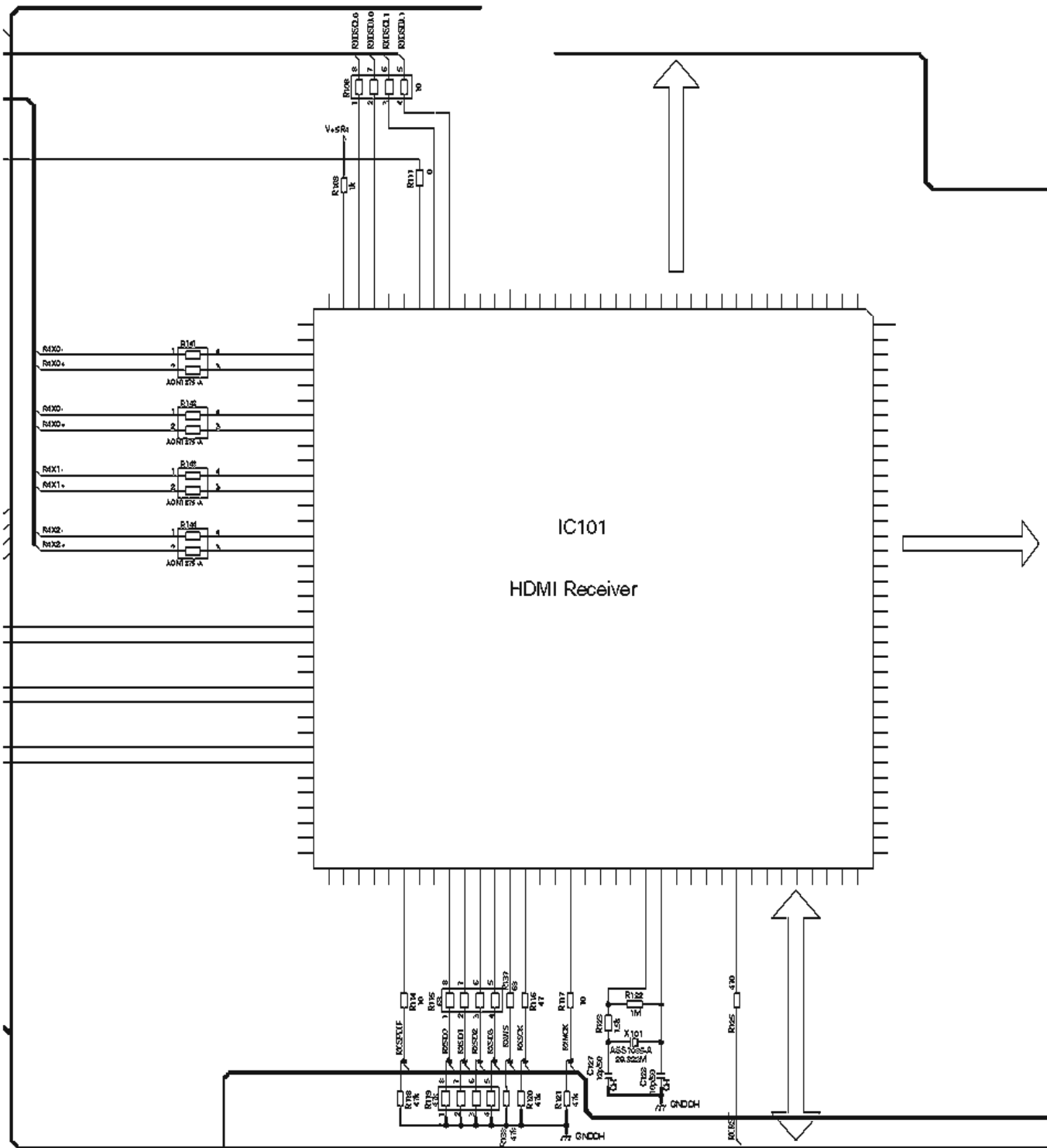
NOTE
 1. RESISTORS
 Unit: k-Ω, M-Ω or Ω unless otherwise noted.
 Rated Power: 1/10W unless otherwise noted.
 Tolerance: 1% or 5% unless otherwise noted.
 2. CAPACITORS
 Unit: p-pF or u-uF unless otherwise noted.
 Ratings: Capacity(F)/Voltage(V) unless otherwise noted.
 YB:CKSRYB, CH:CCSRCH, AT:CEAT
 3. NM: No Mount

10.8 HDMI NETWORK ASSY (1/6)



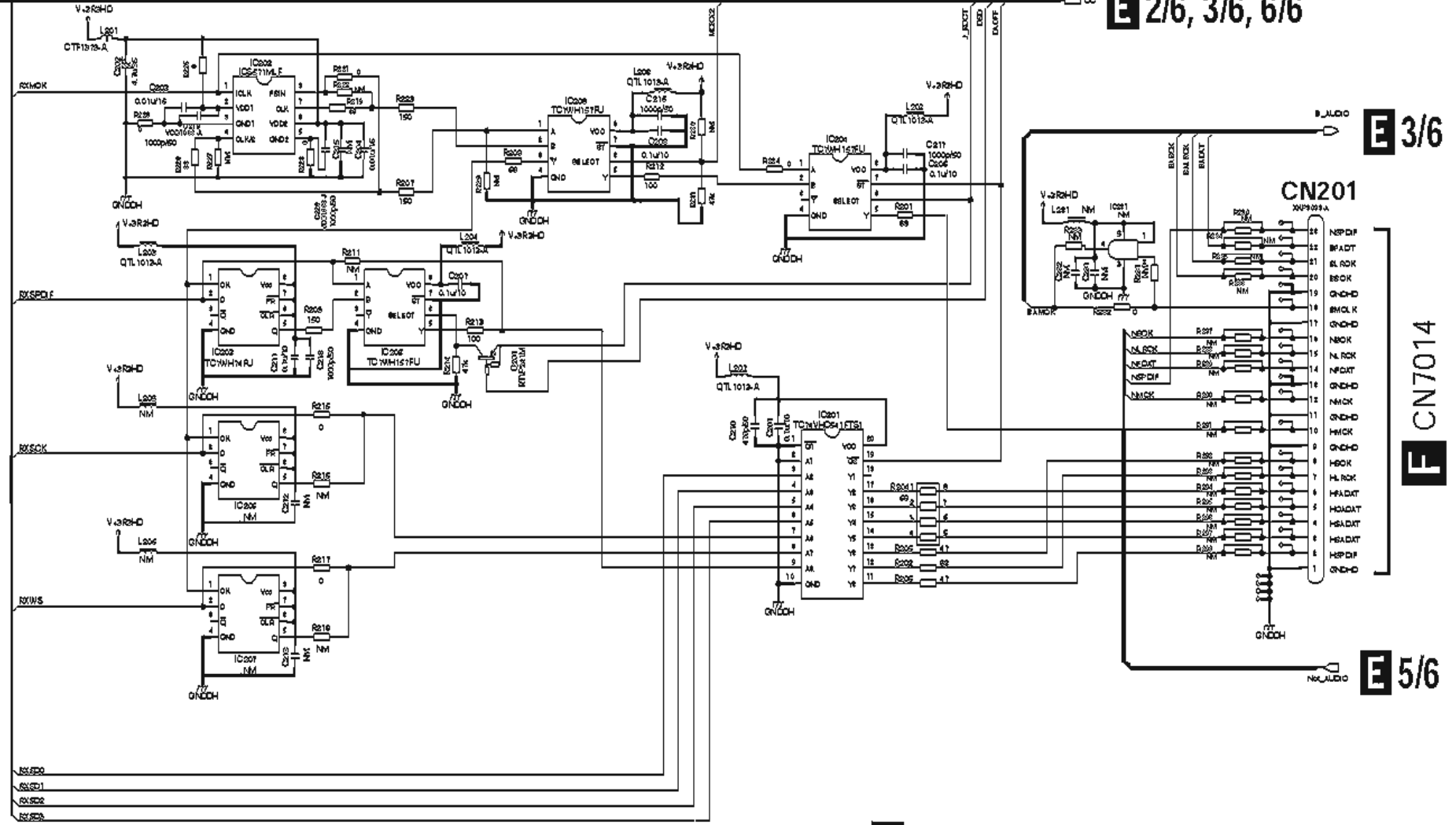
E 1/6 HDMI NETWORK ASSY
 (SC-07 : AWX9135)
 (SC-05 : AWX9190)

E 2/6, 3/6



E 3/6

E 2/6, 3/6, 6/6



E 3/6

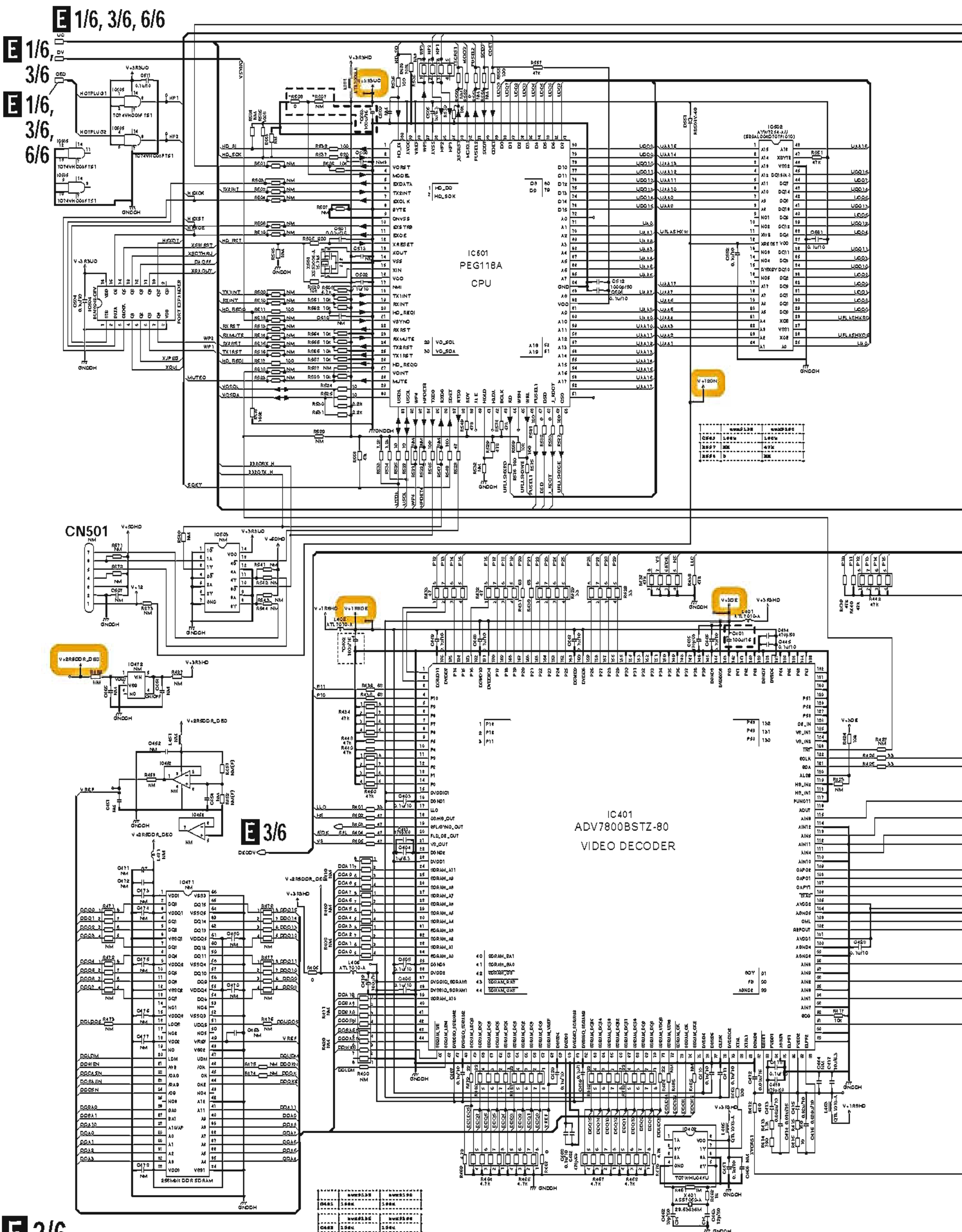
F CN7014

E 5/6

E 2/6, 3/6, 6/6

E 1/6

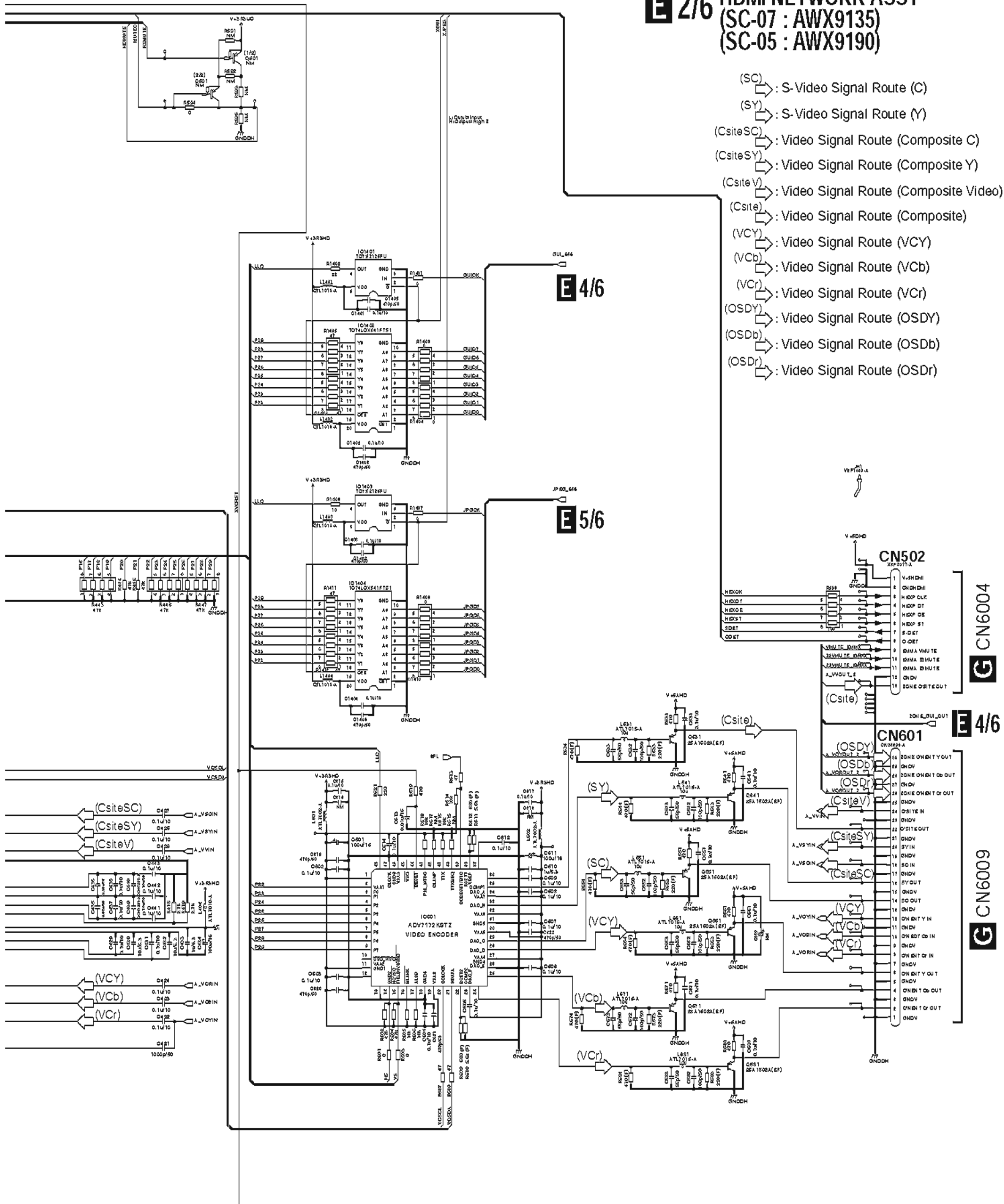
10.9 HDMI NETWORK ASSY (2/6)



1/6, 3/6, 6/6

E 2/6 HDMI NETWORK ASSY
 (SC-07 : AWX9135)
 (SC-05 : AWX9190)

- (SC) → S-Video Signal Route (C)
- (SY) → S-Video Signal Route (Y)
- (CsiteSC) → Video Signal Route (Composite C)
- (CsiteSY) → Video Signal Route (Composite Y)
- (CsiteV) → Video Signal Route (Composite Video)
- (Csite) → Video Signal Route (Composite)
- (VCY) → Video Signal Route (VCY)
- (VCb) → Video Signal Route (VCb)
- (VCr) → Video Signal Route (VCr)
- (OSDY) → Video Signal Route (OSDY)
- (OSDb) → Video Signal Route (OSDb)
- (OSDr) → Video Signal Route (OSDr)



G CN6004

E 4/6

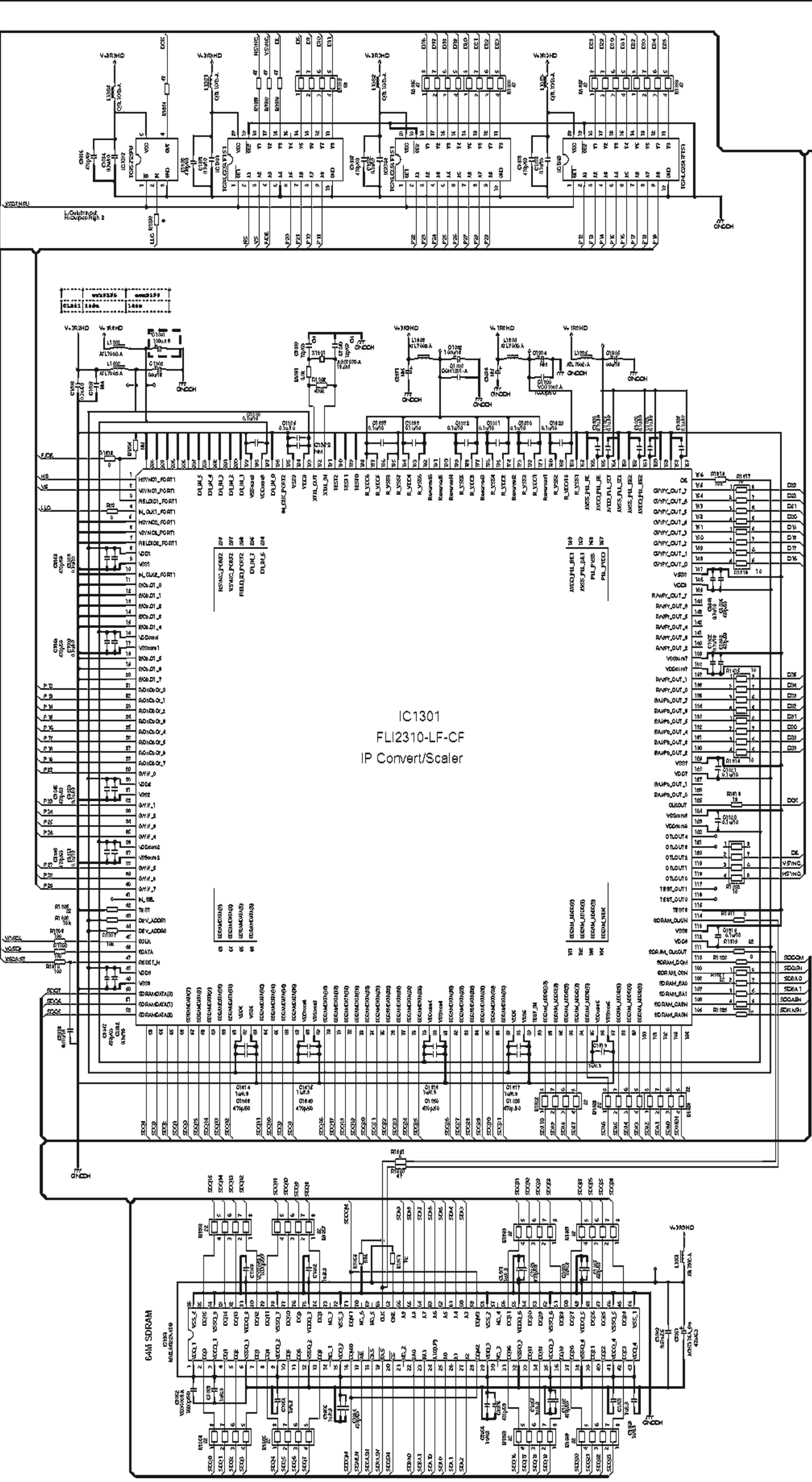
G CN6009

10.10 HDMI NETWORK ASSY (3/6)

E 1/6, 2/6, 6/6

E 1/6, 2/6

E 2/6

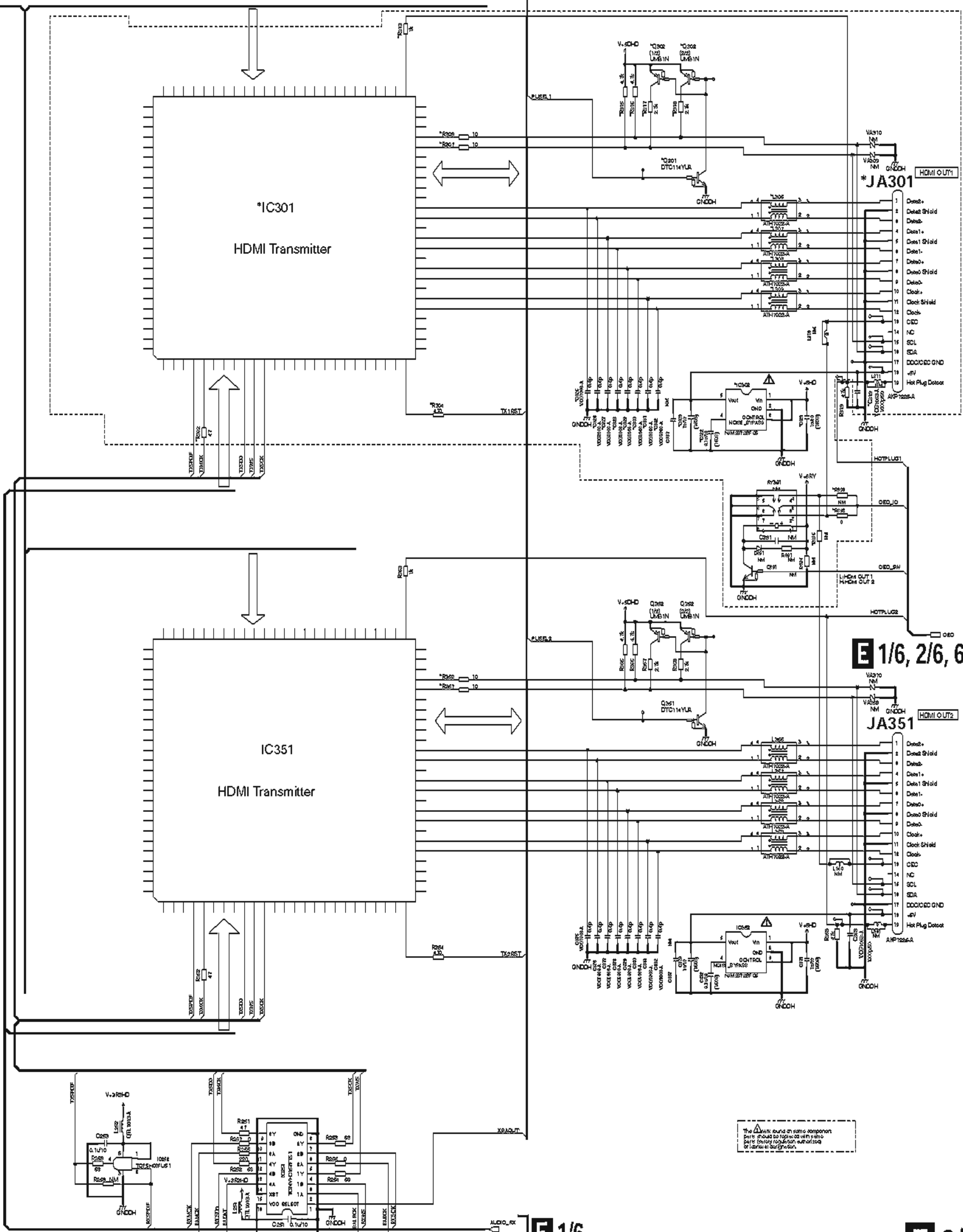


Part No.	Quantity	Part No.	Quantity
0301	100	0301	100
0302	100	0302	100
0303	100	0303	100
0304	100	0304	100
0305	100	0305	100
0306	100	0306	100
0307	100	0307	100
0308	100	0308	100
0309	100	0309	100
0310	100	0310	100
0311	100	0311	100
0312	100	0312	100
0313	100	0313	100
0314	100	0314	100
0315	100	0315	100
0316	100	0316	100
0317	100	0317	100
0318	100	0318	100
0319	100	0319	100
0320	100	0320	100
0321	100	0321	100
0322	100	0322	100
0323	100	0323	100
0324	100	0324	100
0325	100	0325	100
0326	100	0326	100
0327	100	0327	100
0328	100	0328	100
0329	100	0329	100
0330	100	0330	100
0331	100	0331	100
0332	100	0332	100
0333	100	0333	100
0334	100	0334	100
0335	100	0335	100
0336	100	0336	100
0337	100	0337	100
0338	100	0338	100
0339	100	0339	100
0340	100	0340	100
0341	100	0341	100
0342	100	0342	100
0343	100	0343	100
0344	100	0344	100
0345	100	0345	100
0346	100	0346	100
0347	100	0347	100
0348	100	0348	100
0349	100	0349	100
0350	100	0350	100
0351	100	0351	100
0352	100	0352	100
0353	100	0353	100
0354	100	0354	100
0355	100	0355	100
0356	100	0356	100
0357	100	0357	100
0358	100	0358	100
0359	100	0359	100
0360	100	0360	100
0361	100	0361	100
0362	100	0362	100
0363	100	0363	100
0364	100	0364	100
0365	100	0365	100
0366	100	0366	100
0367	100	0367	100
0368	100	0368	100
0369	100	0369	100
0370	100	0370	100
0371	100	0371	100
0372	100	0372	100
0373	100	0373	100
0374	100	0374	100
0375	100	0375	100
0376	100	0376	100
0377	100	0377	100
0378	100	0378	100
0379	100	0379	100
0380	100	0380	100
0381	100	0381	100
0382	100	0382	100
0383	100	0383	100
0384	100	0384	100
0385	100	0385	100
0386	100	0386	100
0387	100	0387	100
0388	100	0388	100
0389	100	0389	100
0390	100	0390	100
0391	100	0391	100
0392	100	0392	100
0393	100	0393	100
0394	100	0394	100
0395	100	0395	100
0396	100	0396	100
0397	100	0397	100
0398	100	0398	100
0399	100	0399	100
0400	100	0400	100

E 3/6

E 3/6 HDMI NETWORK ASSY
 (SC-07 : AWX9135)
 (SC-05 : AWX9190)

1390



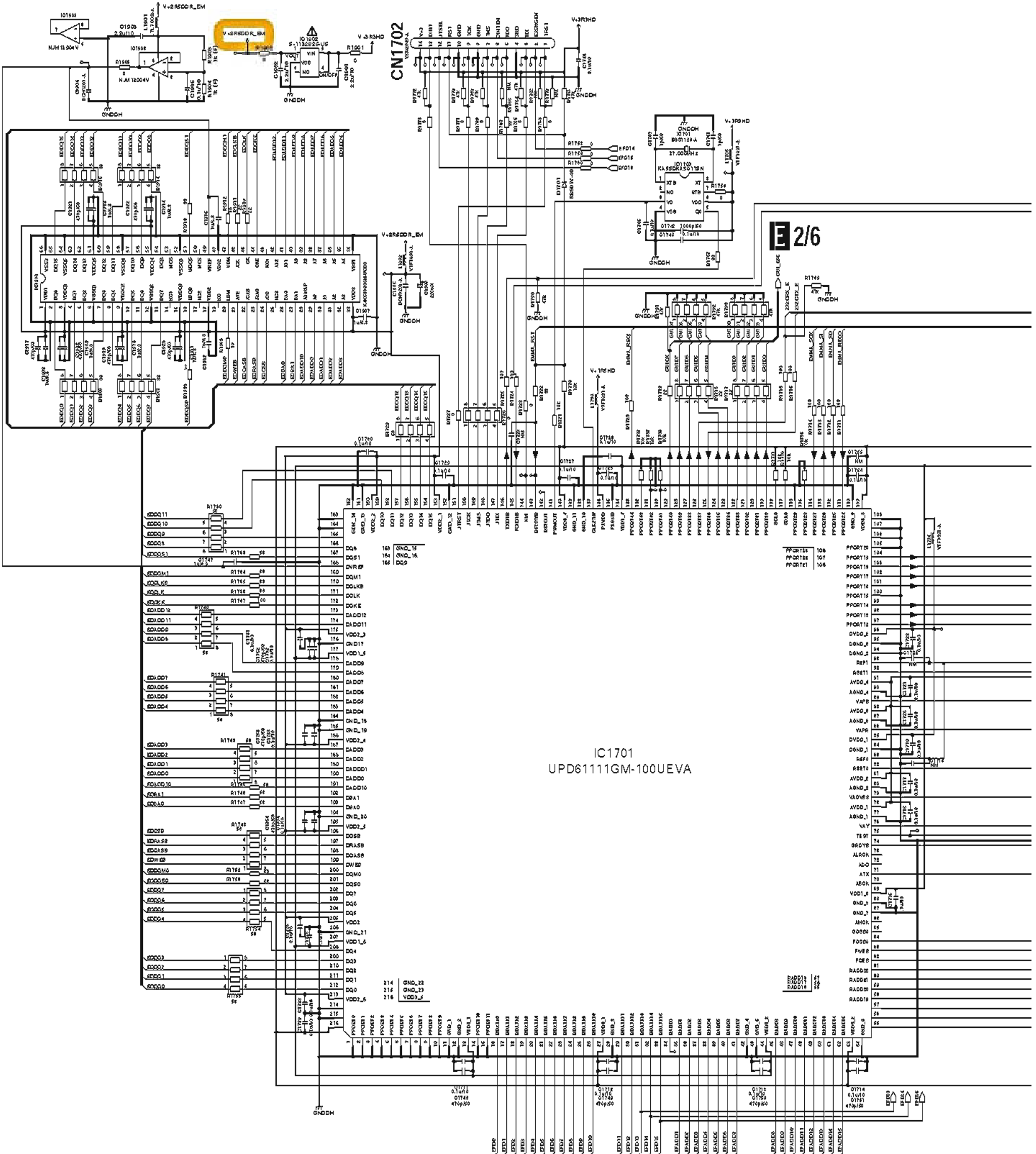
E 1/6, 2/6, 6/6

The Δ mark found on some components here should refer to the same part from our production authorization of identical designation.

E 1/6

E 3/6

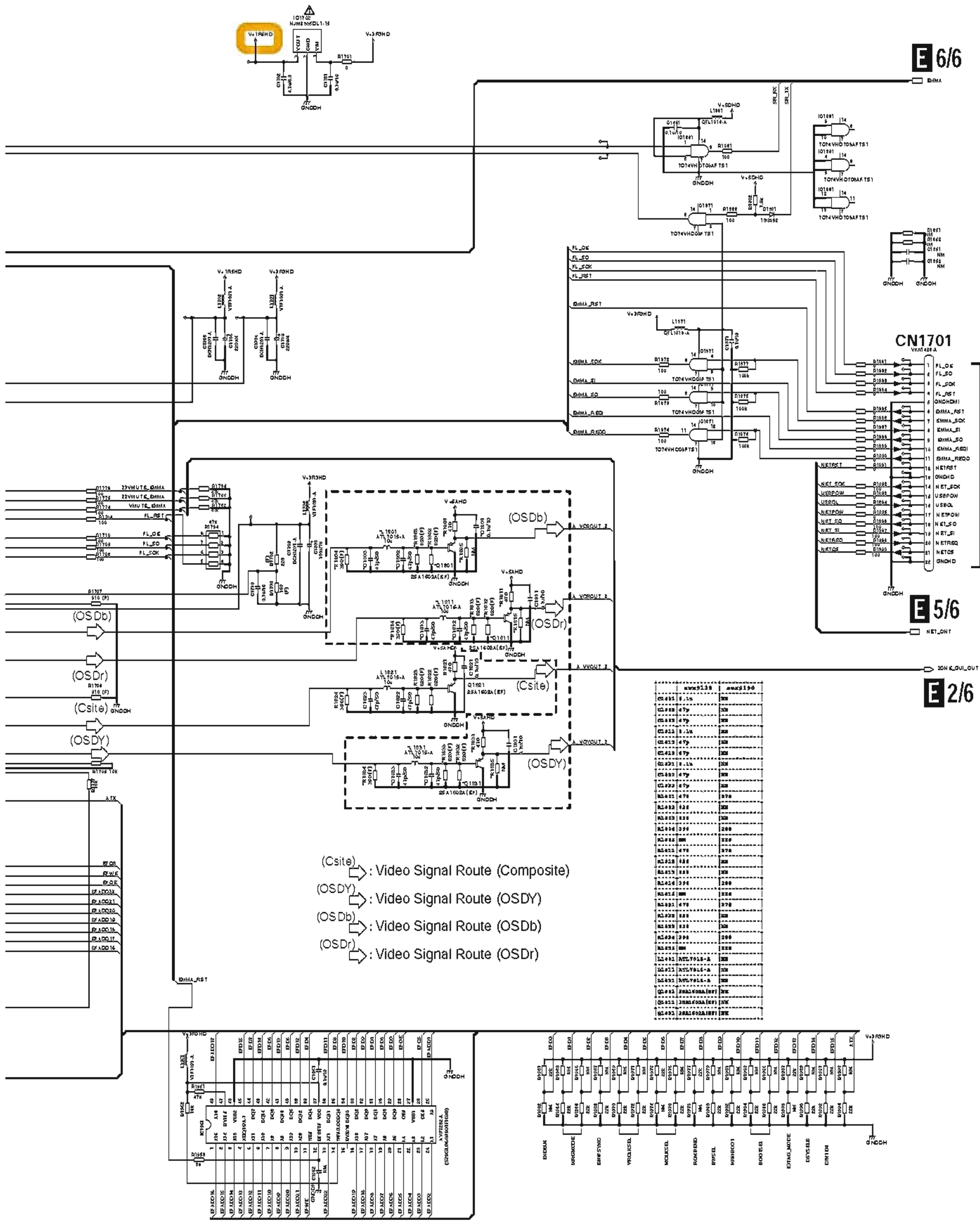
10.11 HDMI NETWORK ASSY (4/6)



The Δ mark found on some component parts should be noted with parts being factory regulation authorized or identical designator.

E 4/6 HDMI NETWORK ASSY

(SC-07 : AWX9135)
(SC-05 : AWX9190)



E 6/6

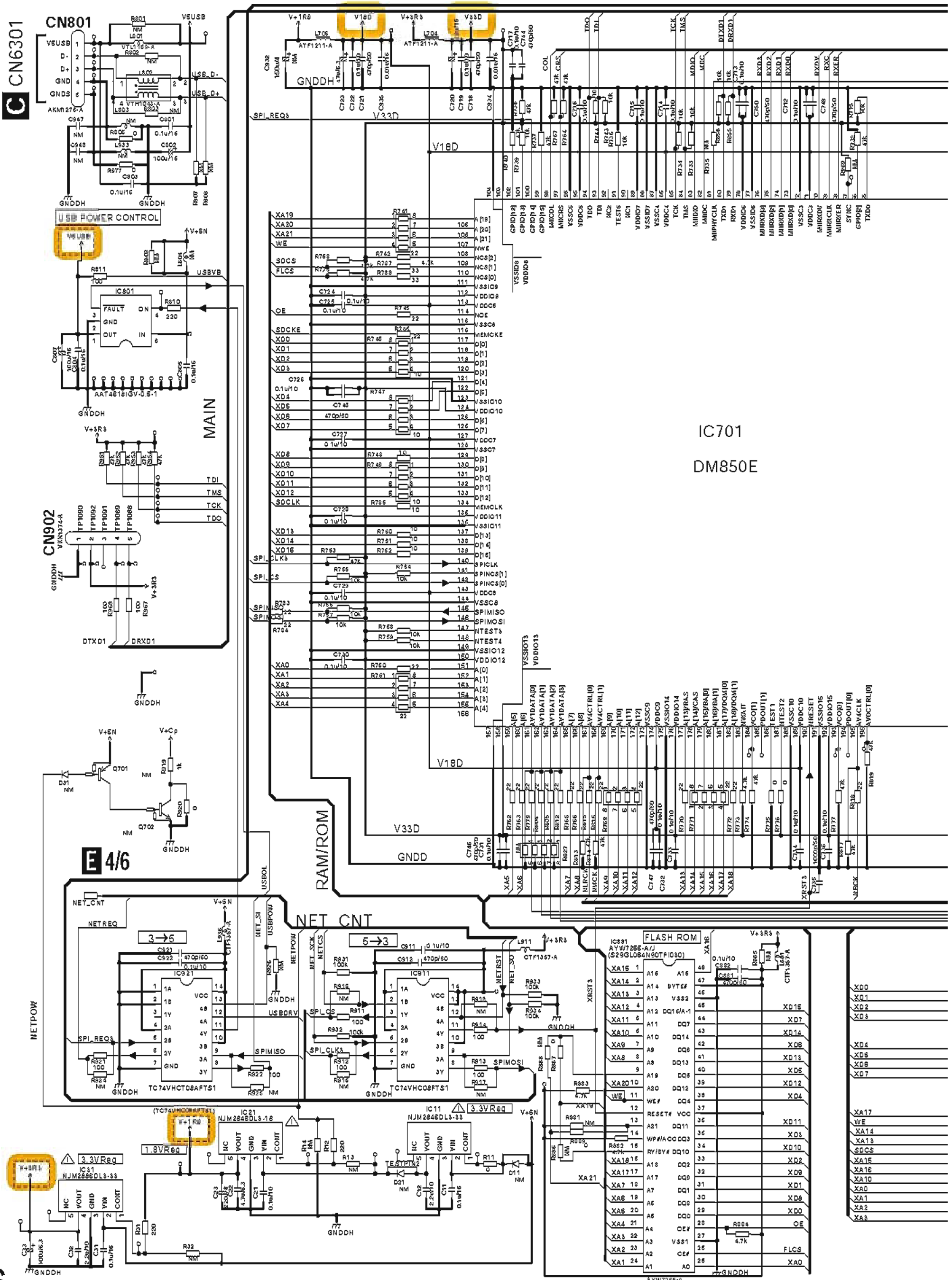
E 5/6

E 2/6

B 1/4 CN2003

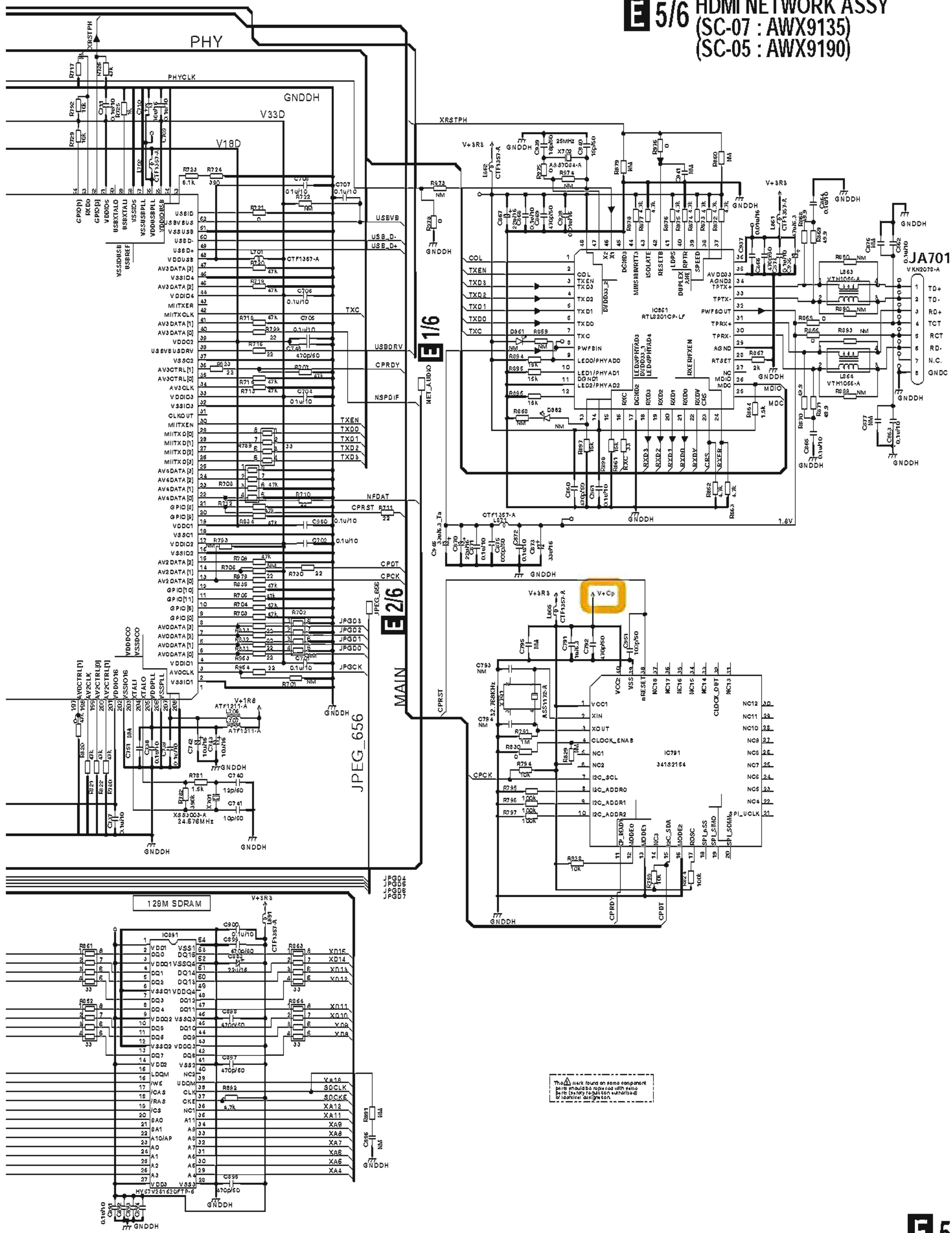
AWX9119	AWX9190
01405	01405
01406	01406
01407	01407
01408	01408
01409	01409
01410	01410
01411	01411
01412	01412
01413	01413
01414	01414
01415	01415
01416	01416
01417	01417
01418	01418
01419	01419
01420	01420
01421	01421
01422	01422
01423	01423
01424	01424
01425	01425
01426	01426
01427	01427
01428	01428
01429	01429
01430	01430
01431	01431
01432	01432
01433	01433
01434	01434
01435	01435
01436	01436
01437	01437
01438	01438
01439	01439
01440	01440
01441	01441
01442	01442
01443	01443
01444	01444
01445	01445
01446	01446
01447	01447
01448	01448
01449	01449
01450	01450
01451	01451
01452	01452
01453	01453
01454	01454
01455	01455
01456	01456
01457	01457
01458	01458
01459	01459
01460	01460
01461	01461
01462	01462
01463	01463
01464	01464
01465	01465
01466	01466
01467	01467
01468	01468
01469	01469
01470	01470
01471	01471
01472	01472
01473	01473
01474	01474
01475	01475
01476	01476
01477	01477
01478	01478
01479	01479
01480	01480
01481	01481
01482	01482
01483	01483
01484	01484
01485	01485
01486	01486
01487	01487
01488	01488
01489	01489
01490	01490
01491	01491
01492	01492
01493	01493
01494	01494
01495	01495
01496	01496
01497	01497
01498	01498
01499	01499

10.12 HDMI NETWORK ASSY (5/6)



IC701
DM850E

E 5/6 HDMI NETWORK ASSY
 (SC-07 : AWX9135)
 (SC-05 : AWX9190)



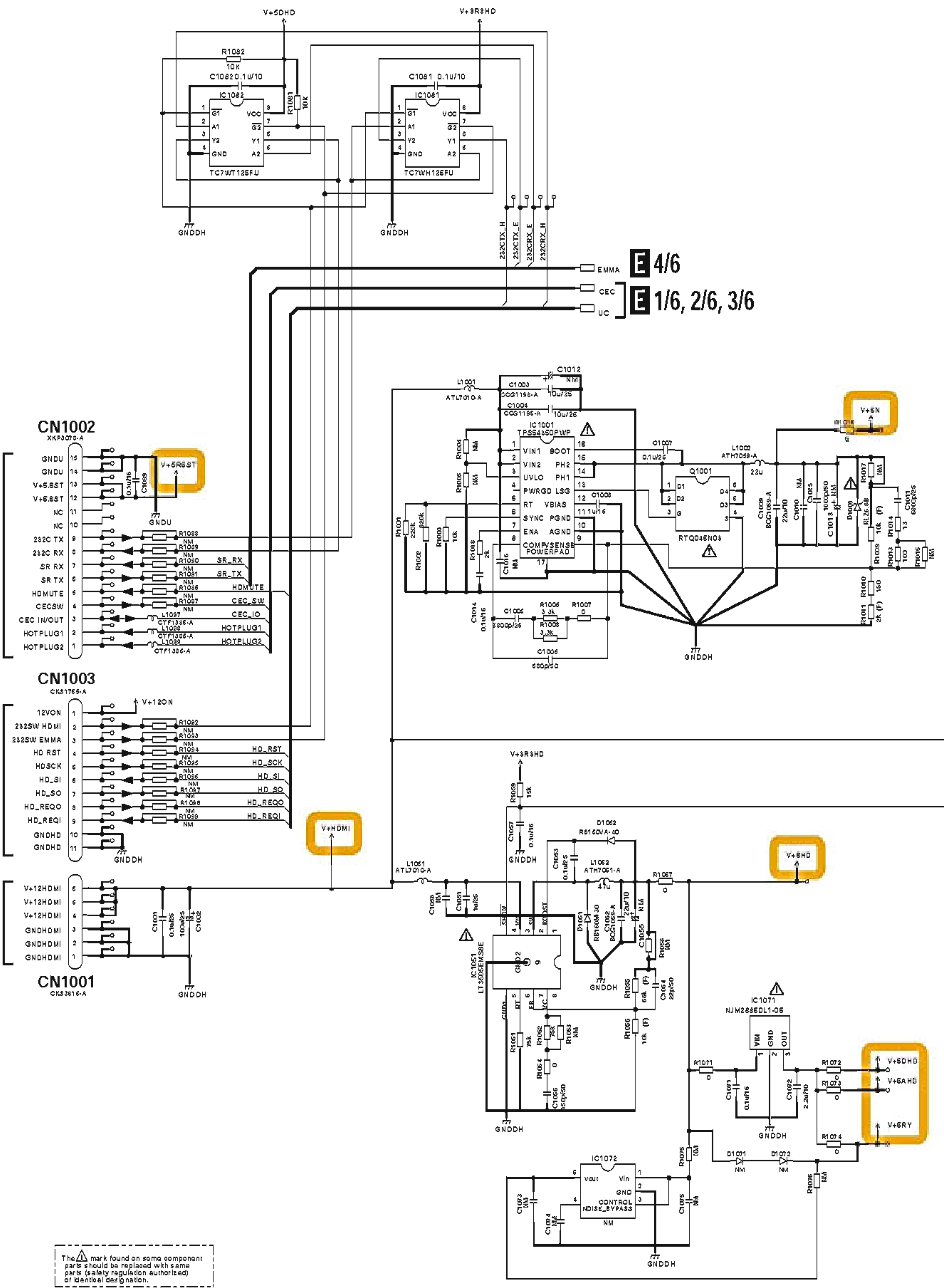
This mark found on some component parts may be replaced with the appropriate part number with the same electrical designation.

10.13 HDMI NETWORK ASSY (6/6)

F CN7011
F CN7012
F CN7013

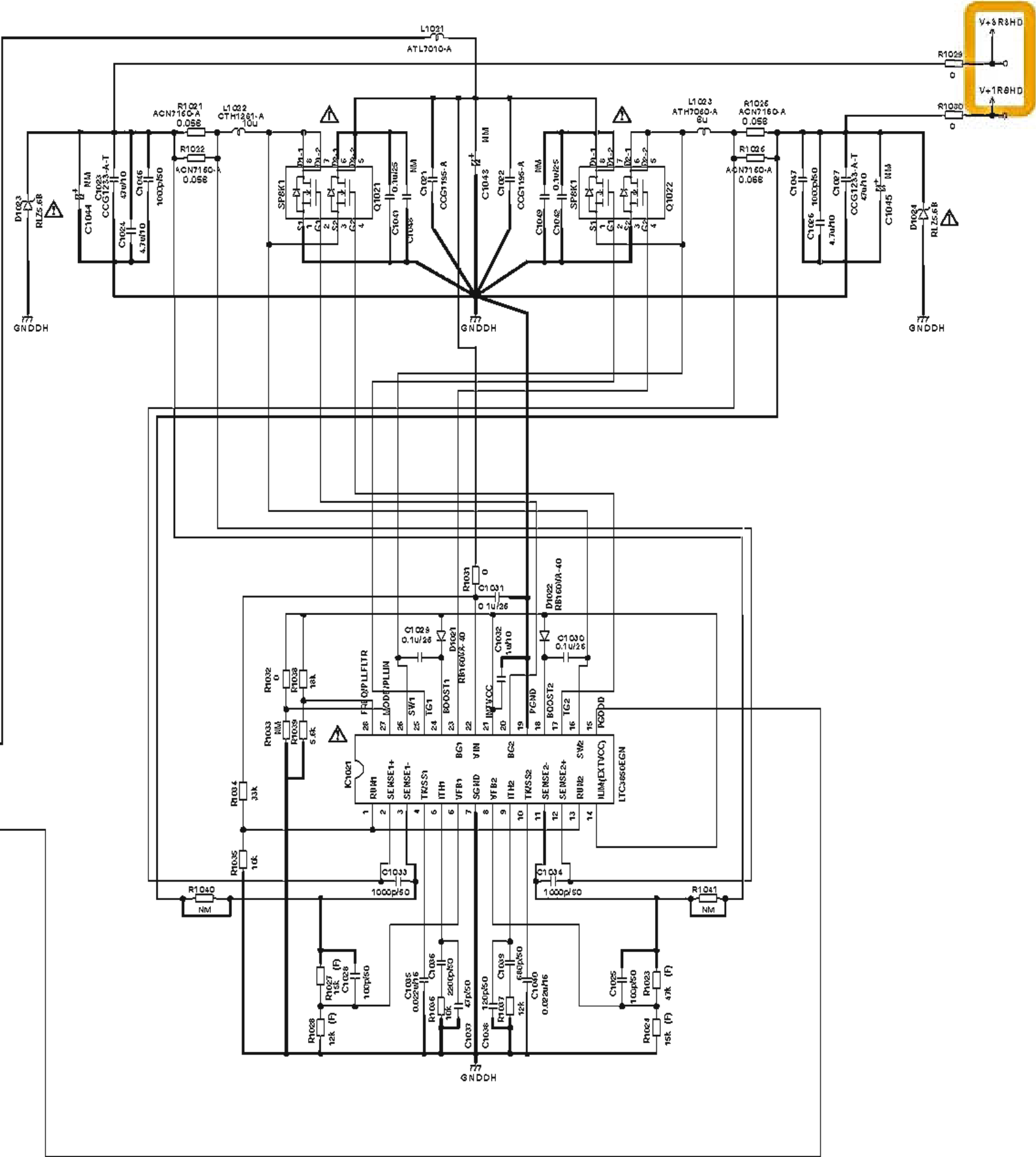
E 4/6
E 1/6, 2/6, 3/6

E 6/6

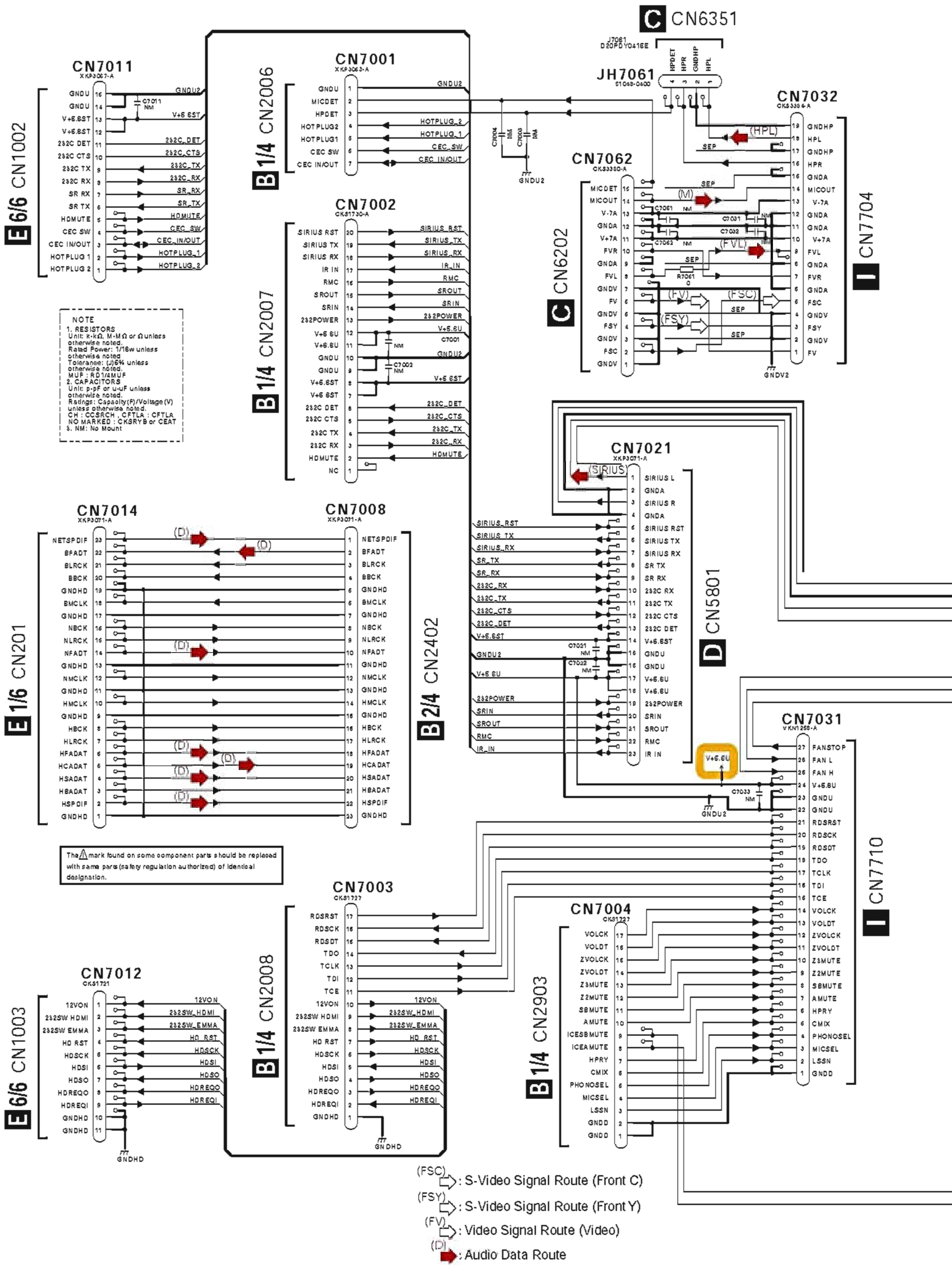


The Δ mark found on some component parts should be replaced with same parts (safety regulation authorized) or identical designation.

E 6/6 HDMI NETWORK ASSY
 (SC-07 : AWX9135)
 (SC-05 : AWX9190)

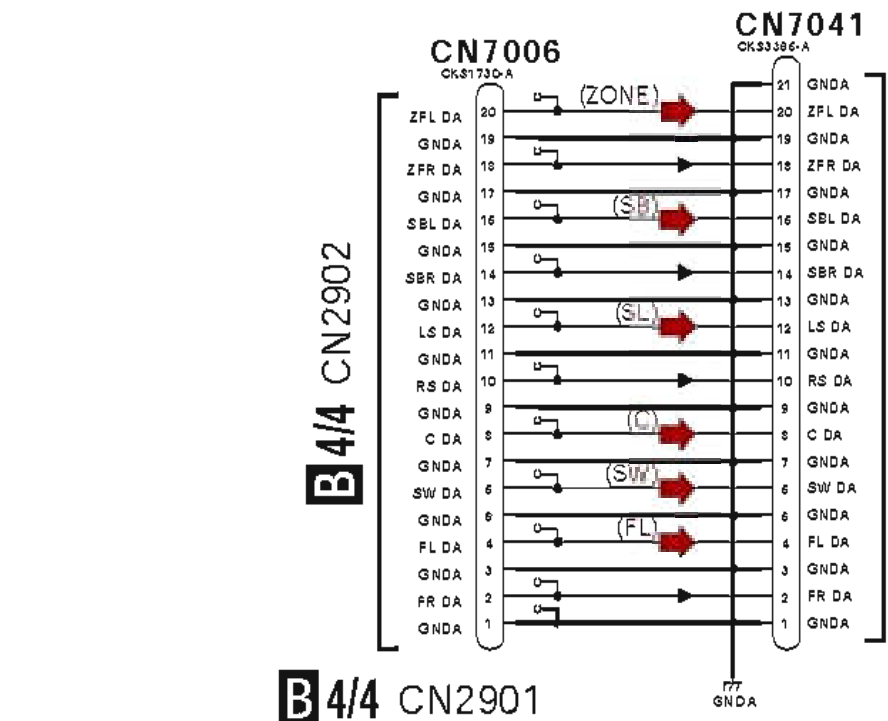


10.14 INTERFACE ASSY



F

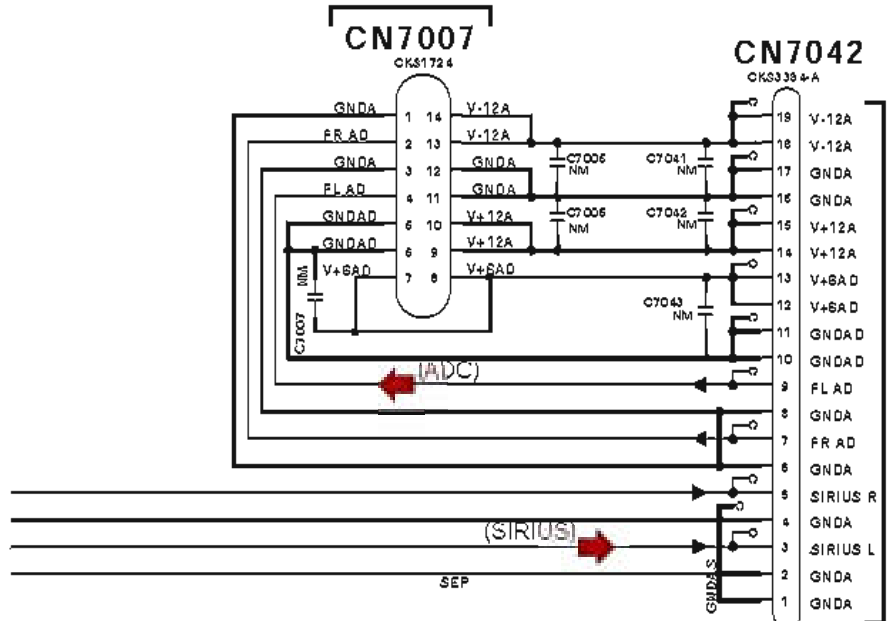
F INTERFACE ASSY (AWX9148)



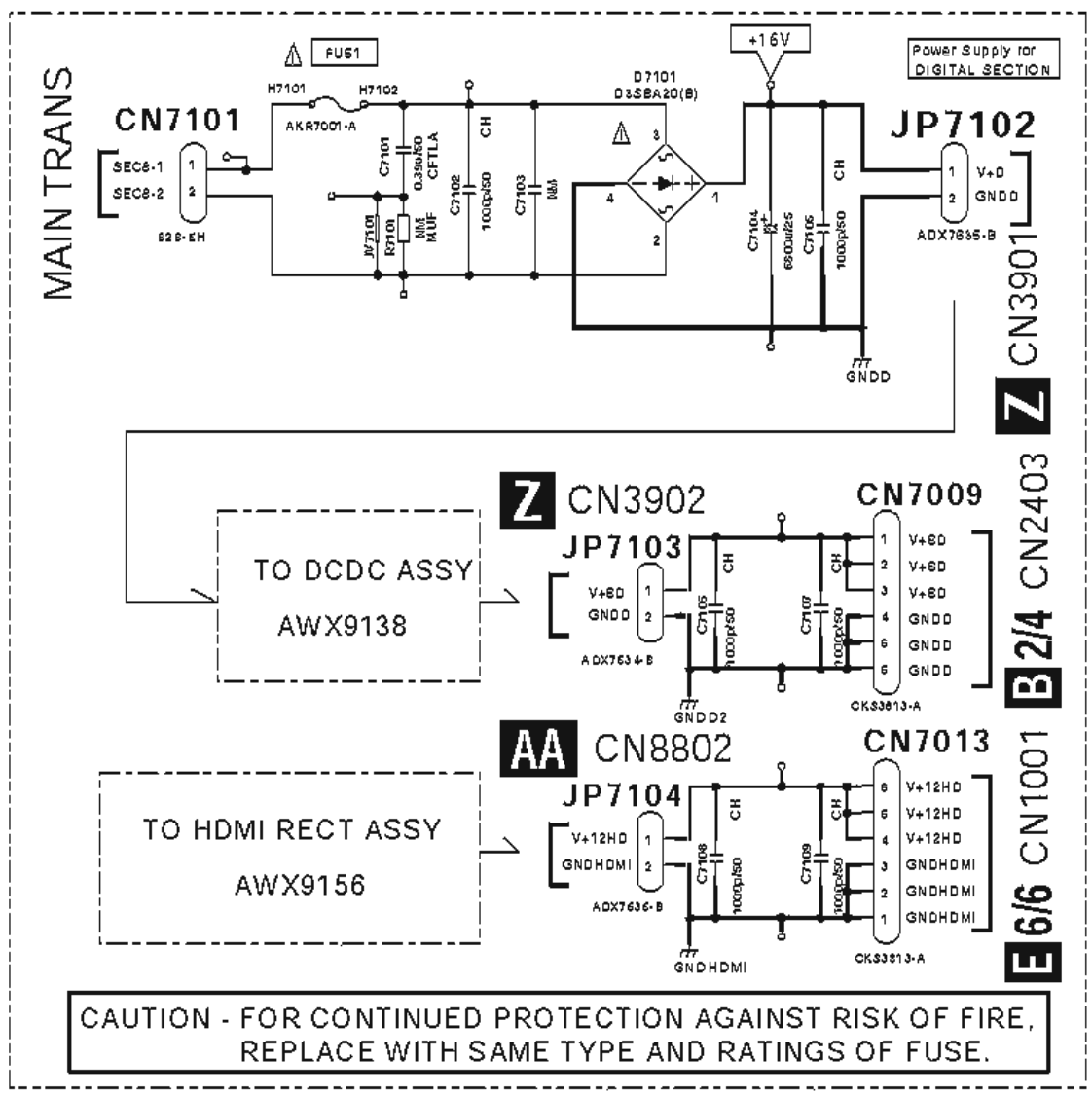
B 4/4 CN2902

A CN5003

B 4/4 CN2901

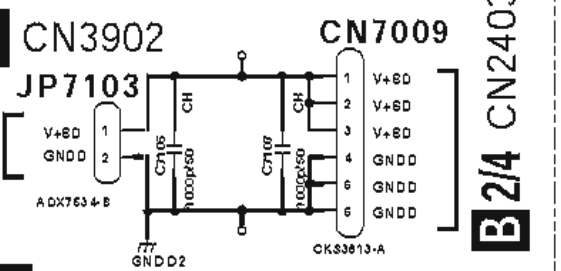


A CN5002



CAUTION - FOR CONTINUED PROTECTION AGAINST RISK OF FIRE, REPLACE WITH SAME TYPE AND RATINGS OF FUSE.

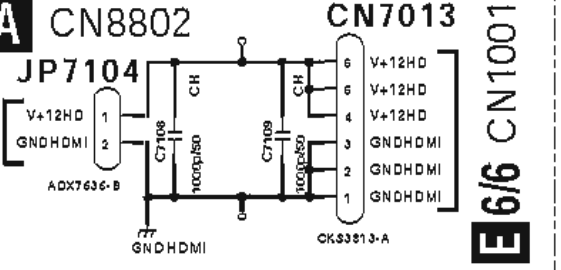
Z CN3902



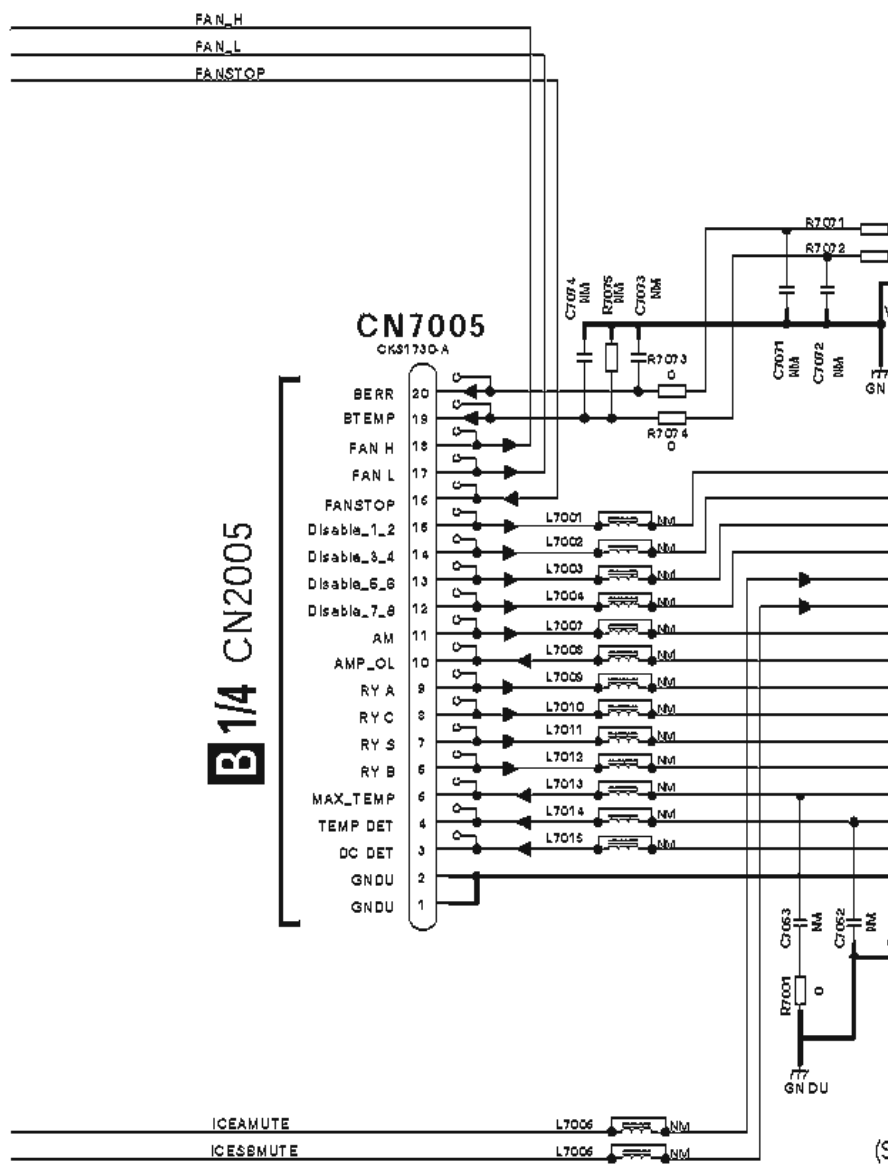
Z CN3901

B 2/4 CN2403

AA CN8802

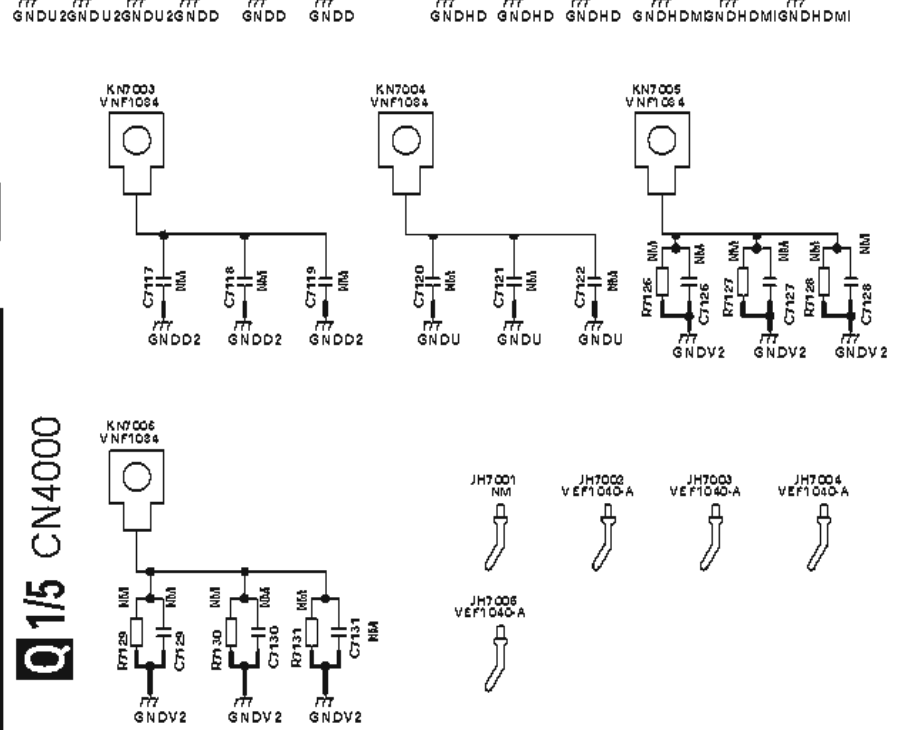


E 6/6 CN1001



B 1/4 CN2005

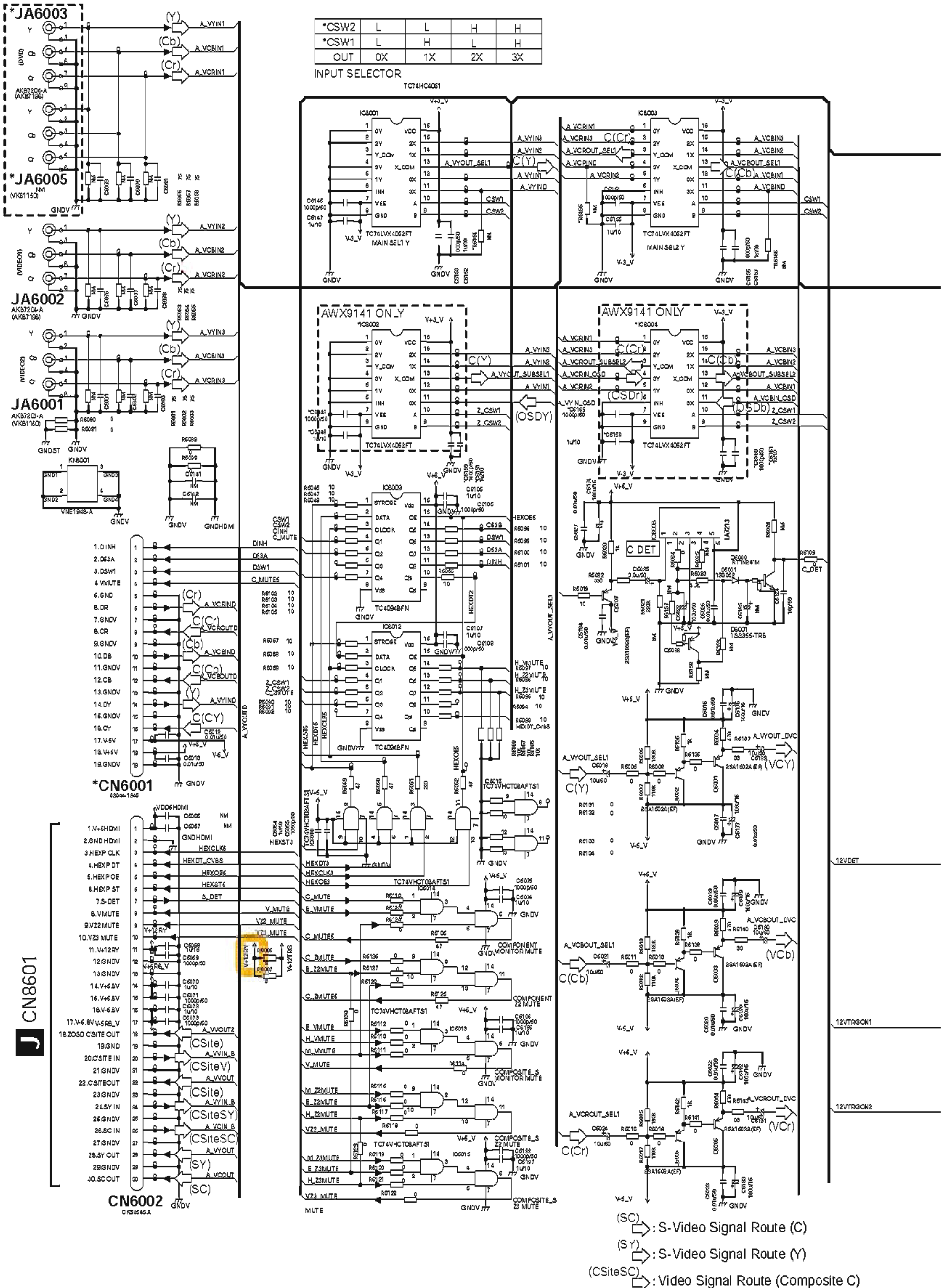
Y CN7306



Q 1/5 CN4000

- (FVL) : Audio Signal Route (Video L ch)
- (FM) : Audio Signal Route (Mic)
- (HPL) : Audio Signal Route (Headphone L ch)
- (SIRIUS) : Audio Signal Route (SIRIUS L ch)
- (ZONE) : Audio Signal Route (Zone L ch)
- (ADC) : Audio Signal Route (ADC L ch)
- (FL) : Audio Signal Route (Front L ch)
- (SL) : Audio Signal Route (Surround L ch)
- (C) : Audio Signal Route (Center)
- (SB) : Audio Signal Route (Surround Back L ch)
- (SW) : Audio Signal Route (Subwoofer)

10.15 COMPONENT ASSY

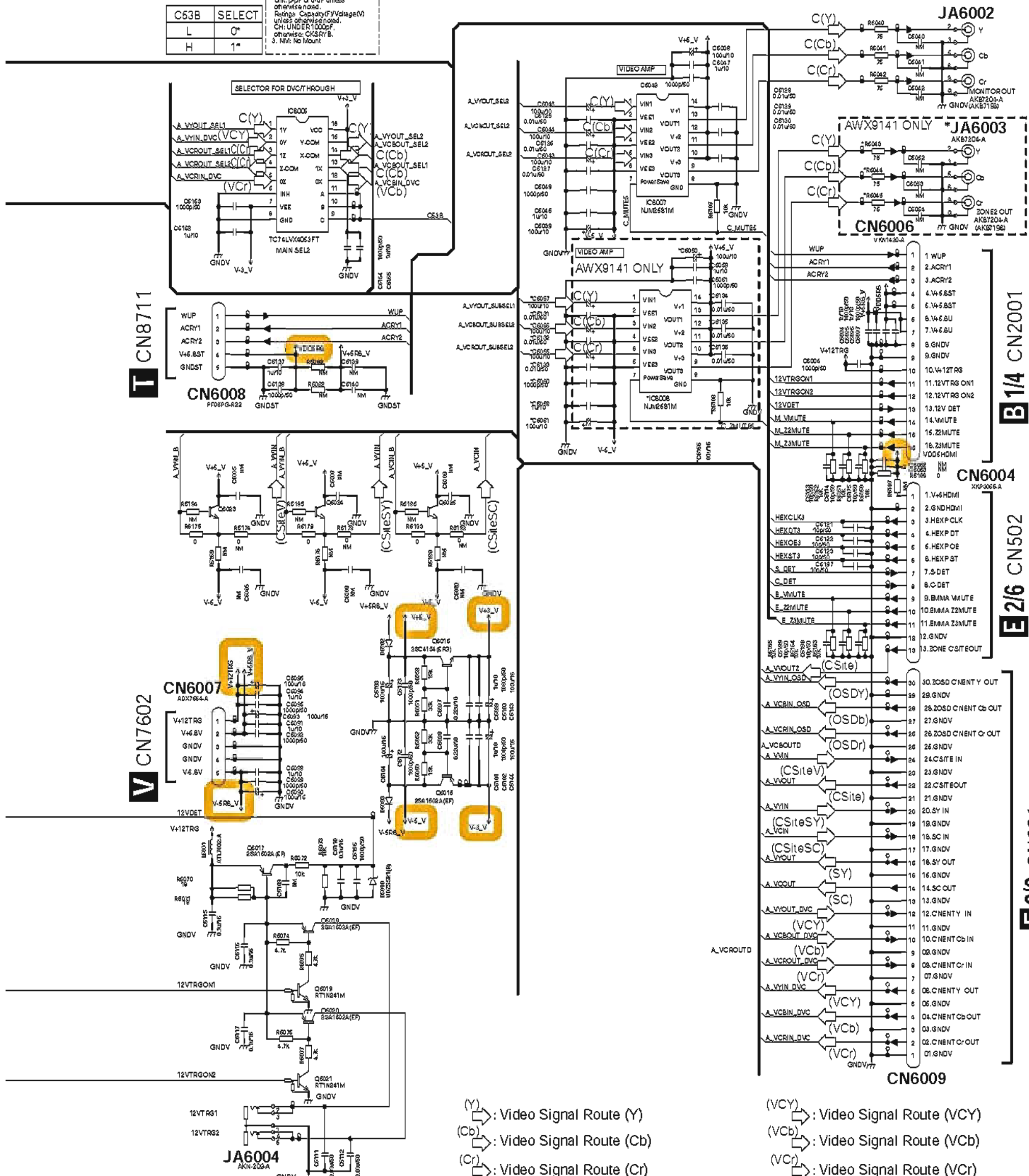


G COMPONENT ASSY (SC-07 : AWX9141) (SC-05 : AWX9211)

NOTE

1. RESISTORS
Unit: K, Ω, M, MG or Ω unless otherwise noted.
Rated Power: 1/16W unless otherwise noted.
Tolerance: 1% unless otherwise noted.
2. CAPACITORS
Unit: pF or μF unless otherwise noted.
Ratings: Capacity(FV) Voltage(V) unless otherwise noted.
CH: UNDER 1000pF, otherwise: CKSRYB.
3. NIM: No Mount

C63B	SELECT
L	0*
H	1*

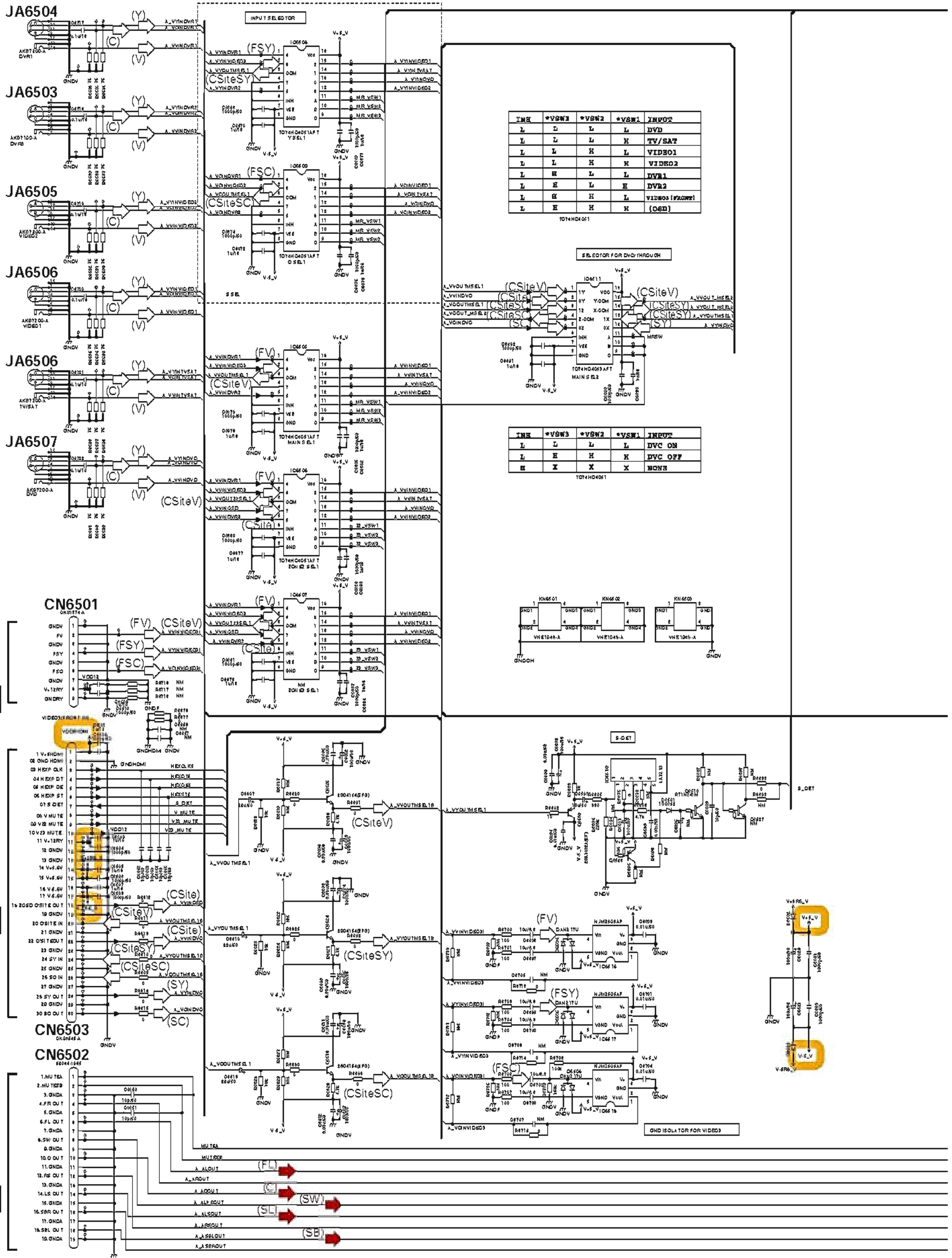


- (CSiteSY) Video Signal Route (Composite Y)
- (CSiteV) Video Signal Route (Composite Video)
- (CSite) Video Signal Route (Composite)

- (Y) Video Signal Route (Y)
- (Cb) Video Signal Route (Cb)
- (Cr) Video Signal Route (Cr)
- (CY) Video Signal Route (Component Y)
- (Cb) Video Signal Route (Component Cb)
- (Cr) Video Signal Route (Component Cr)

- (VCY) Video Signal Route (VCY)
- (VCb) Video Signal Route (VCb)
- (VCr) Video Signal Route (VCr)
- (OSDY) Video Signal Route (OSDY)
- (OSDb) Video Signal Route (OSDb)
- (OSDr) Video Signal Route (OSDr)

10.16 COMPOSITE S ASSY



INH	*VSW3	*VSW2	*VSW1	INPUT
L	L	L	L	DVD
L	L	L	H	TV/SAT
L	L	H	L	VIDEO1
L	L	H	H	VIDEO2
L	H	L	L	DVR1
L	H	L	H	DVR2
L	H	H	L	VIDEO3 (FRONT)
L	H	H	H	(DSD)

TOT4HC001

INH	*VSW3	*VSW2	*VSW1	INPUT
L	L	L	L	DVC ON
L	H	H	H	DVC OFF
H	X	X	X	NONE

TOT4HC001

I CN7708

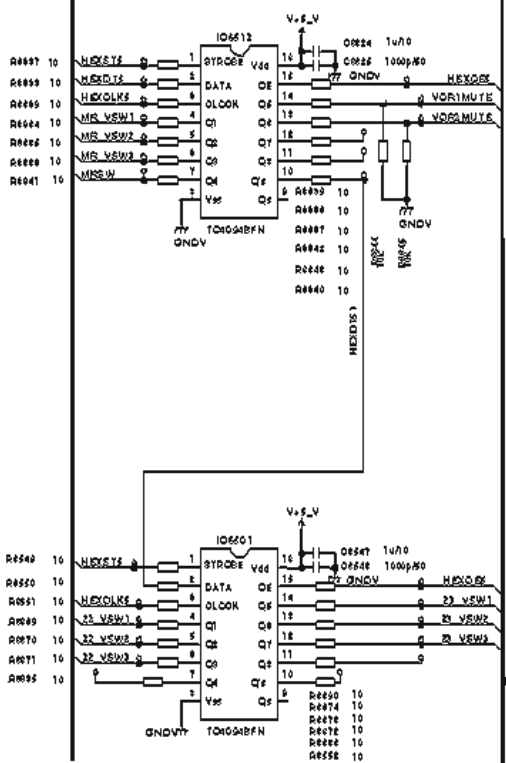
J CN8602

N CN6951

H

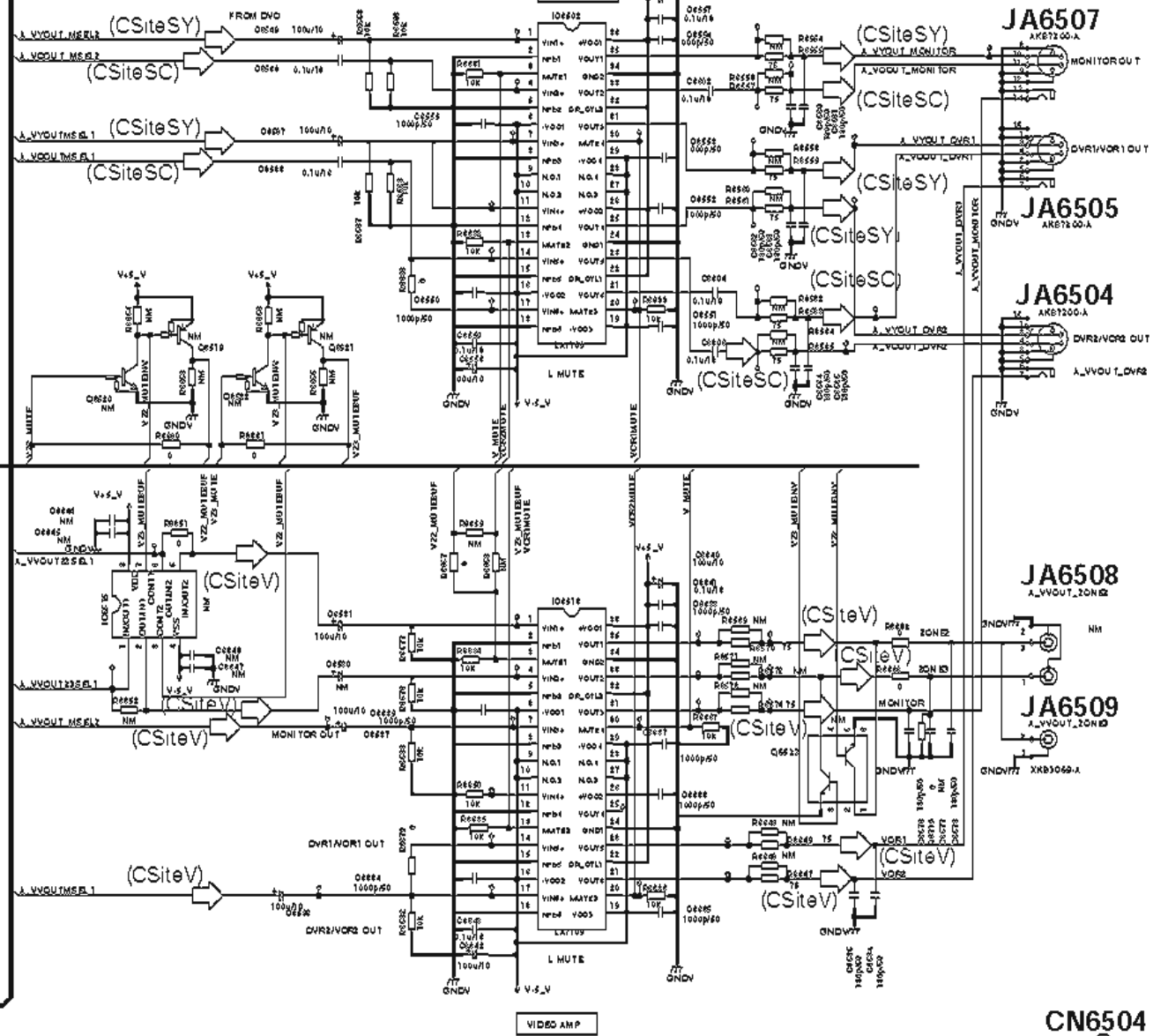
COMPOSITE S ASSY (AWX9144)

C06213	330p	CK	50V
C06214	330p	CK	50V
C06226	330p	CK	50V
C06233	330p	CK	50V
C06234	330p	CK	50V
C06245	330p	CK	50V
C06246	330p	CK	50V
AWX9144 - /0			
C06211	100p	CK	50V
C06223	100p	CK	50V
C06224	100p	CK	50V
C06227	100p	CK	50V
C06228	100p	CK	50V
C06229	100p	CK	50V
C06230	100p	CK	50V
C06231	100p	CK	50V
C06232	100p	CK	50V

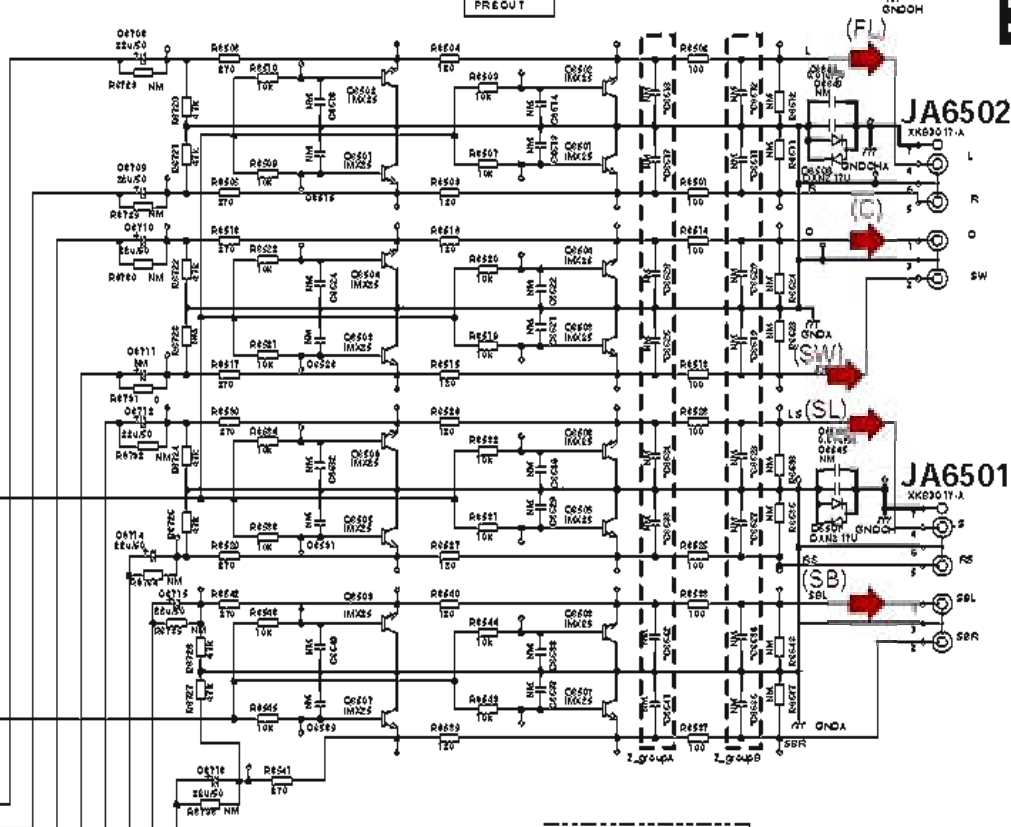


- (FSC) S-Video Signal Route (Front C)
- (FSY) S-Video Signal Route (Front Y)
- (FV) Video Signal Route (Video)

- (SC) S-Video Signal Route (C)
- (SY) S-Video Signal Route (Y)
- (CSiteSC) Video Signal Route (Composite C)
- (CSiteSY) Video Signal Route (Composite Y)
- (CSiteV) Video Signal Route (Composite Video)
- (CSite) Video Signal Route (Composite)
- (Y) Video Signal Route (Y)
- (C) Video Signal Route (C)
- (V) Video Signal Route (V)
- (FL) Audio Signal Route (Front L ch)
- (SL) Audio Signal Route (Surround L ch)
- (C) Audio Signal Route (Center)
- (SB) Audio Signal Route (Surround Back L ch)
- (SW) Audio Signal Route (Subwoofer)

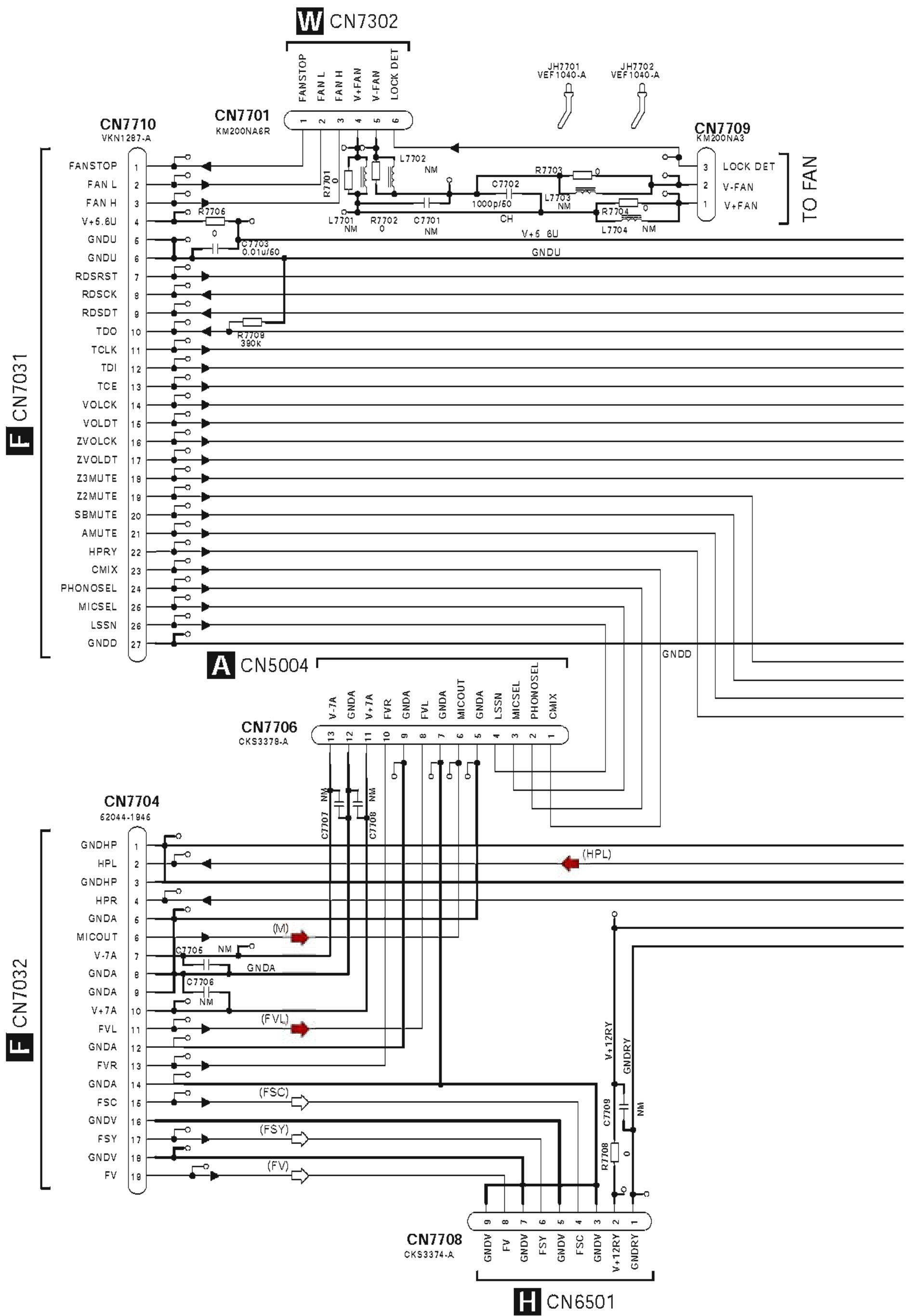


L: ACTIVE (MUTE)		
V_MUTE	VOUT1_5MUTE	MONITOR_V.C.V
VCR1MUTE	VOUT3_5MUTE	VCR1Y_1C_1V
VCR2MUTE	VOUT4_5MUTE	VCR1Y_2C_2V

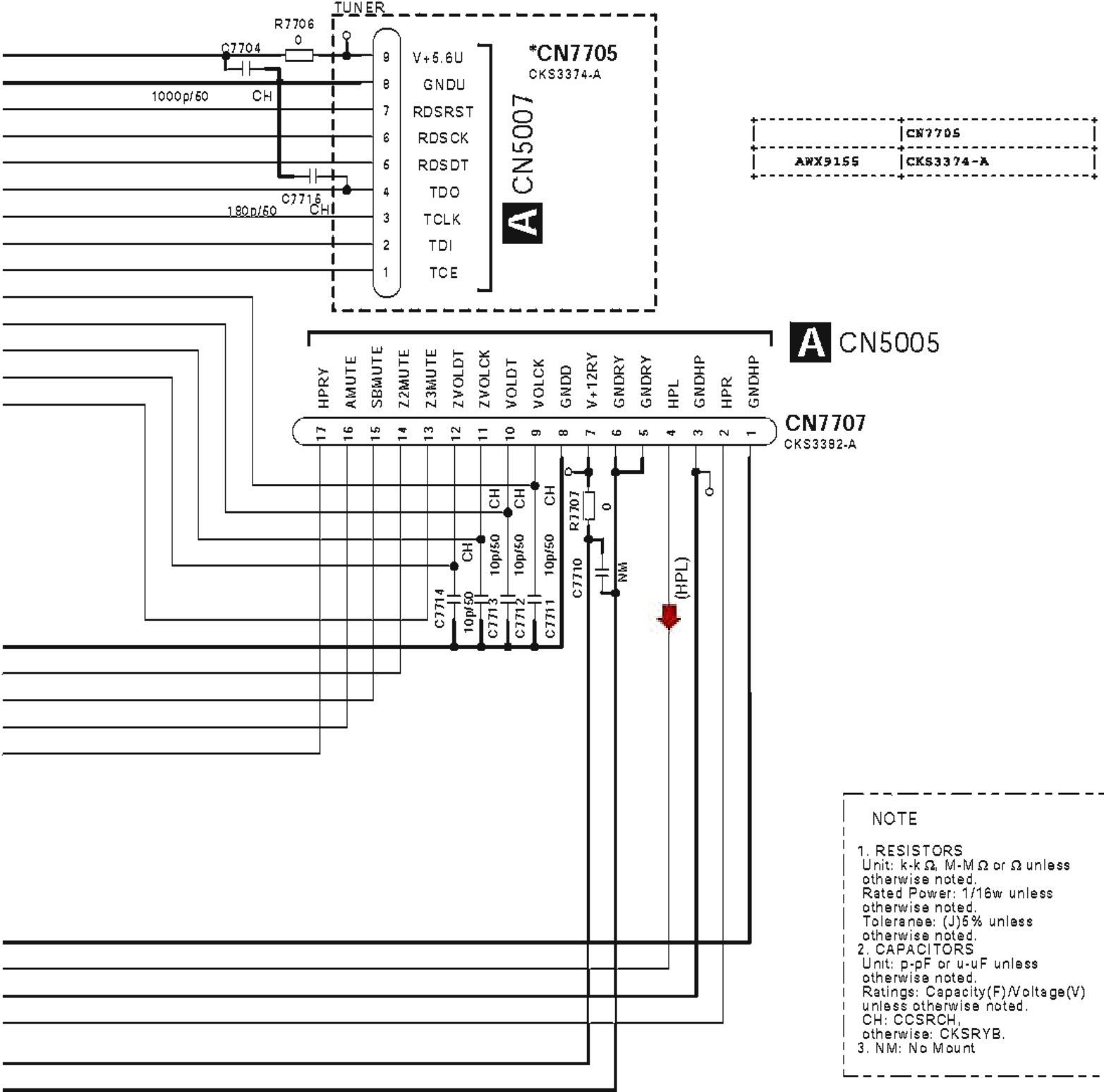


NOTE
 1. RESISTORS
 UNLESS OTHERWISE SPECIFIED, ALL RESISTORS ARE 1% TOLERANCE.
 2. CAPACITORS
 UNLESS OTHERWISE SPECIFIED, ALL CAPACITORS ARE 50V.
 3. NM: No Mount

10.17 FRONT BRIDGE ASSY

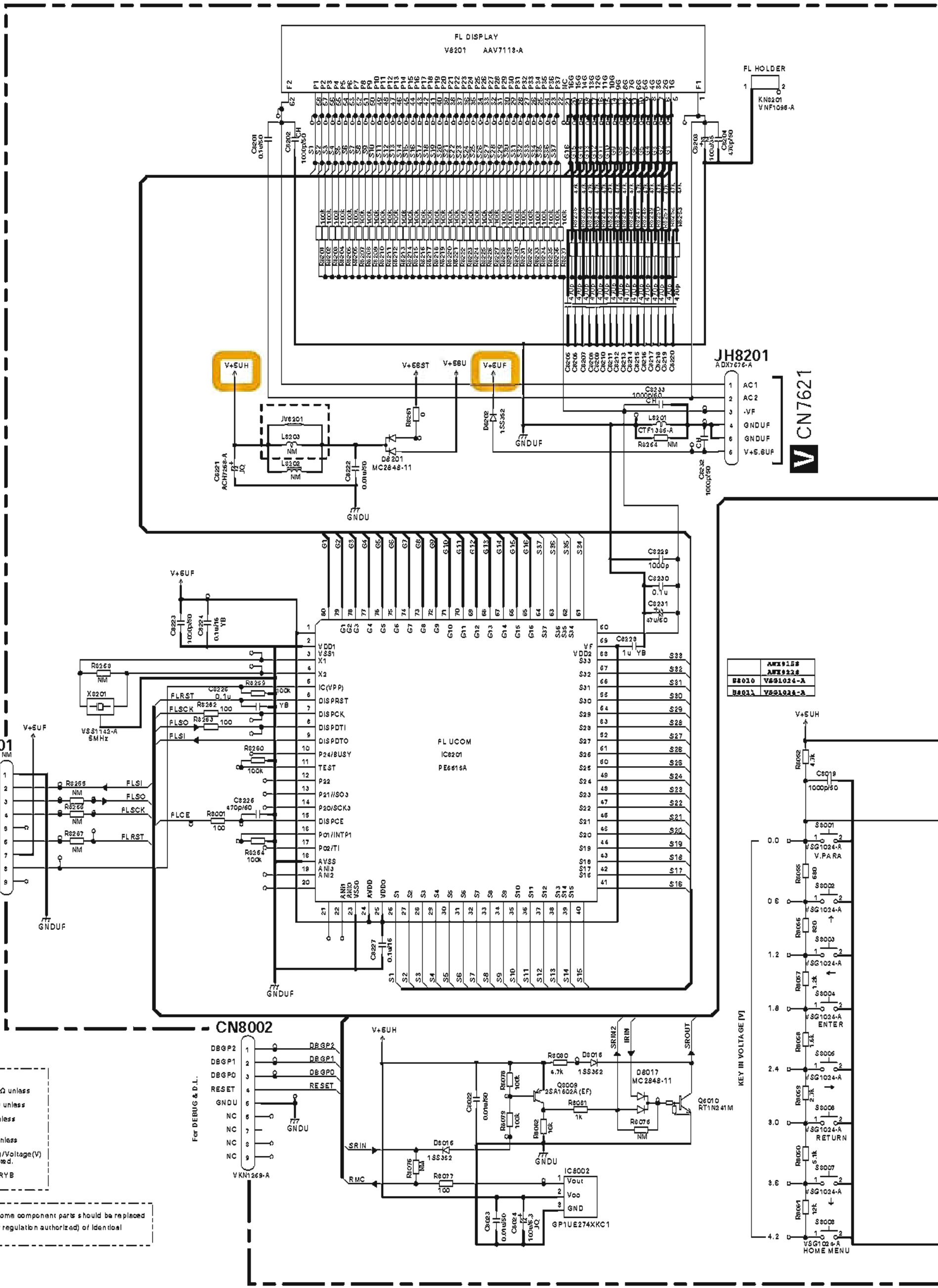


FRONT BRIDGE ASSY (AWX9155)



- (FSC) : S-Video Signal Route (Front C)
- (FSY) : S-Video Signal Route (Front Y)
- (FV) : Video Signal Route (Video)
- (FVL) : Audio Signal Route (Video L ch)
- (FM) : Audio Signal Route (Mic)
- (HPL) : Audio Signal Route (Headphone L ch)

10.18 DISPLAY, VOL and POWER SW ASSYS



NOTE
 1. RESISTORS
 Unit: k-Ω, M-Ω or Ω unless otherwise noted.
 Rated Power: 1/18w unless otherwise noted.
 Tolerance: (J)5% unless otherwise noted.
 2. CAPACITORS
 Unit: p-pF or u-uF unless otherwise noted.
 Ratings: Capacity(F)/Voltage(V) unless otherwise noted.
 CH: CCSRCH
 NO MARKED: CKSRYB
 3. NM: No Mount

The Δ mark found on some component parts should be replaced with some parts (safety regulation authorized) of identical designation.

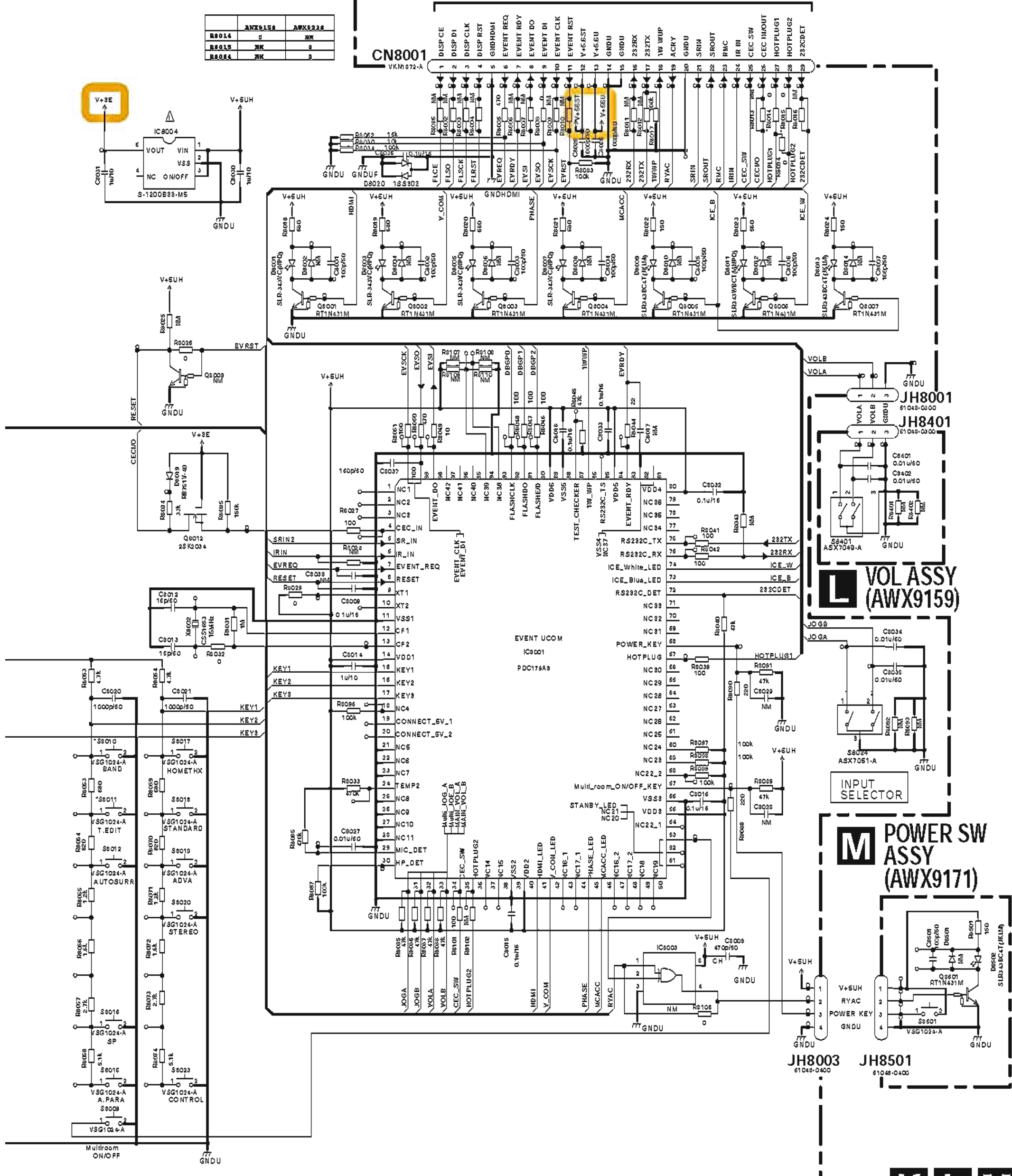
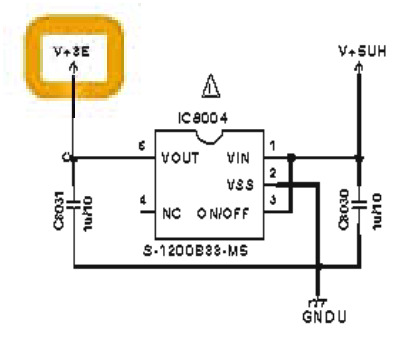


K DISPLAY ASSY
 (SC-07 : AWX9158)
 (SC-05 : AWX9238)

B 1/4 CN2002

	AWX9158	AWX9238
R8014	0	0
R8015	0	0
R8064	0	0

CN8001
 VKM372-A



L VOL ASSY
 (AWX9159)

M POWER SW
 ASSY
 (AWX9171)

JH8003
 61049-0400

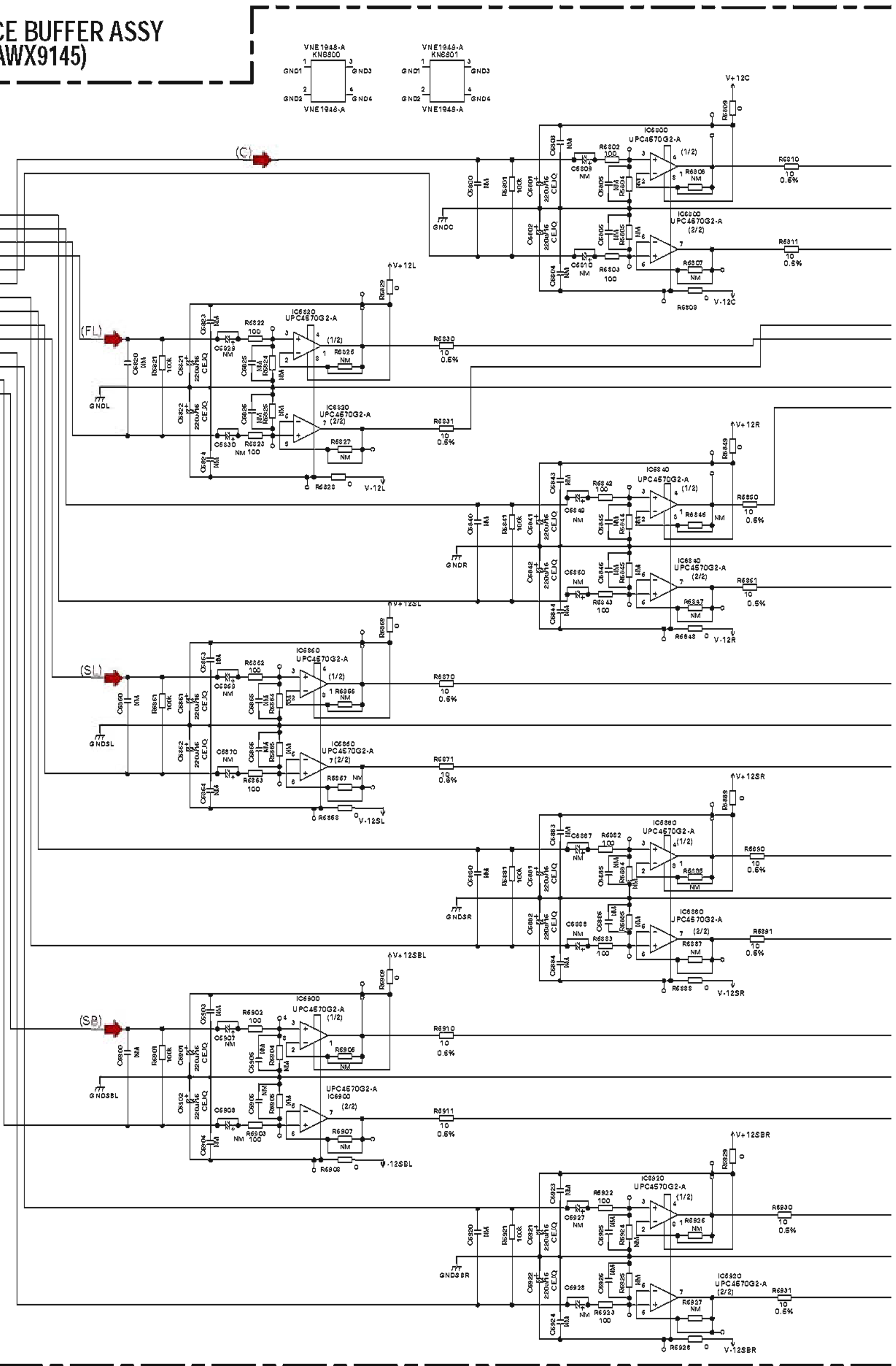
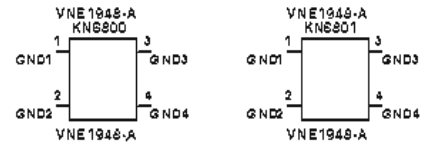
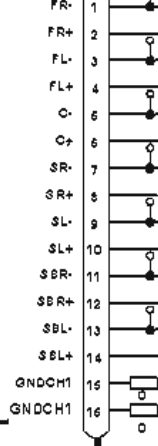
JH8501
 61049-0400

10.19 PRE BRIDGE, ICE BUFFER, ICE SHIELD and PRIMARY GUARD ASSYS

ICE BUFFER ASSY (AWX9145)

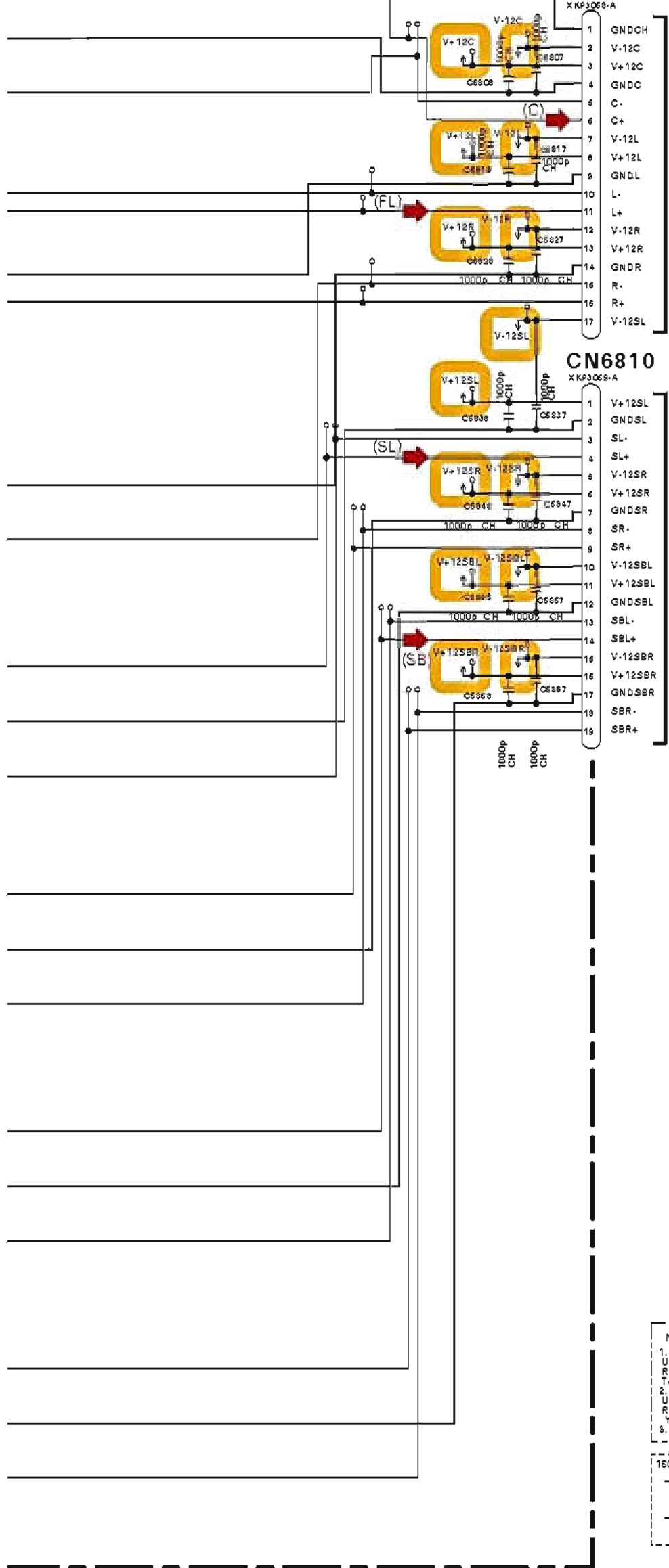
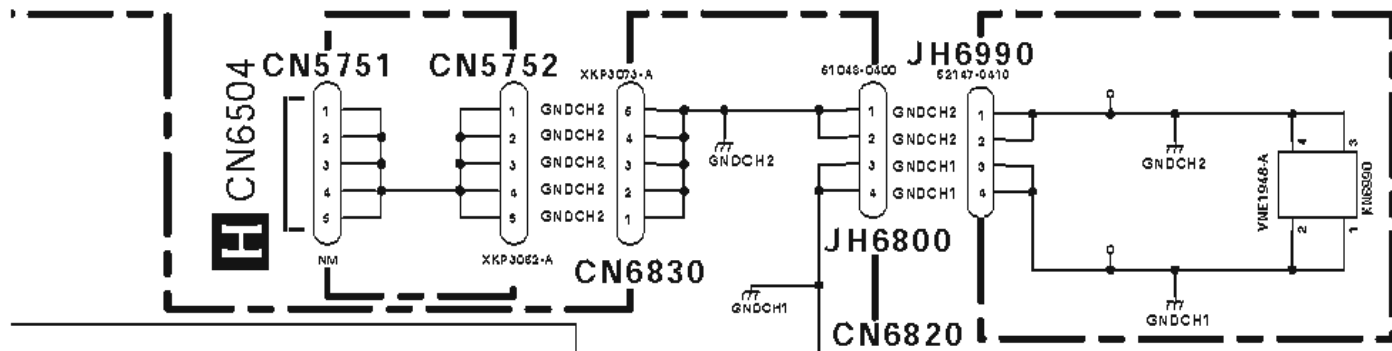
N CN6953

CN6800
IMS4-9650B-16A-T

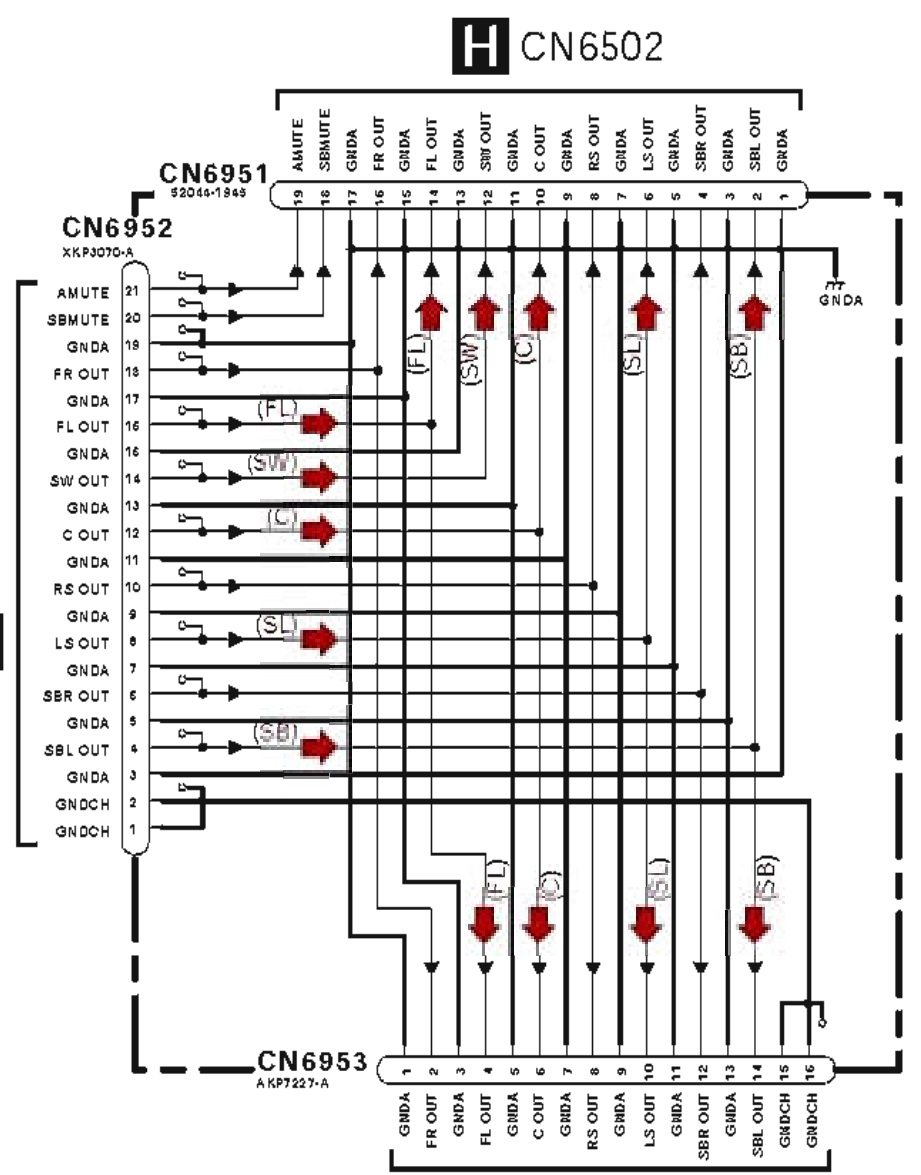


U PRIMARY GUARD ASSY (AWX9172)

R ICE SHIELD ASSY (AWX9173)



N PRE BRIDGE ASSY (AWX9146)



O CN6800

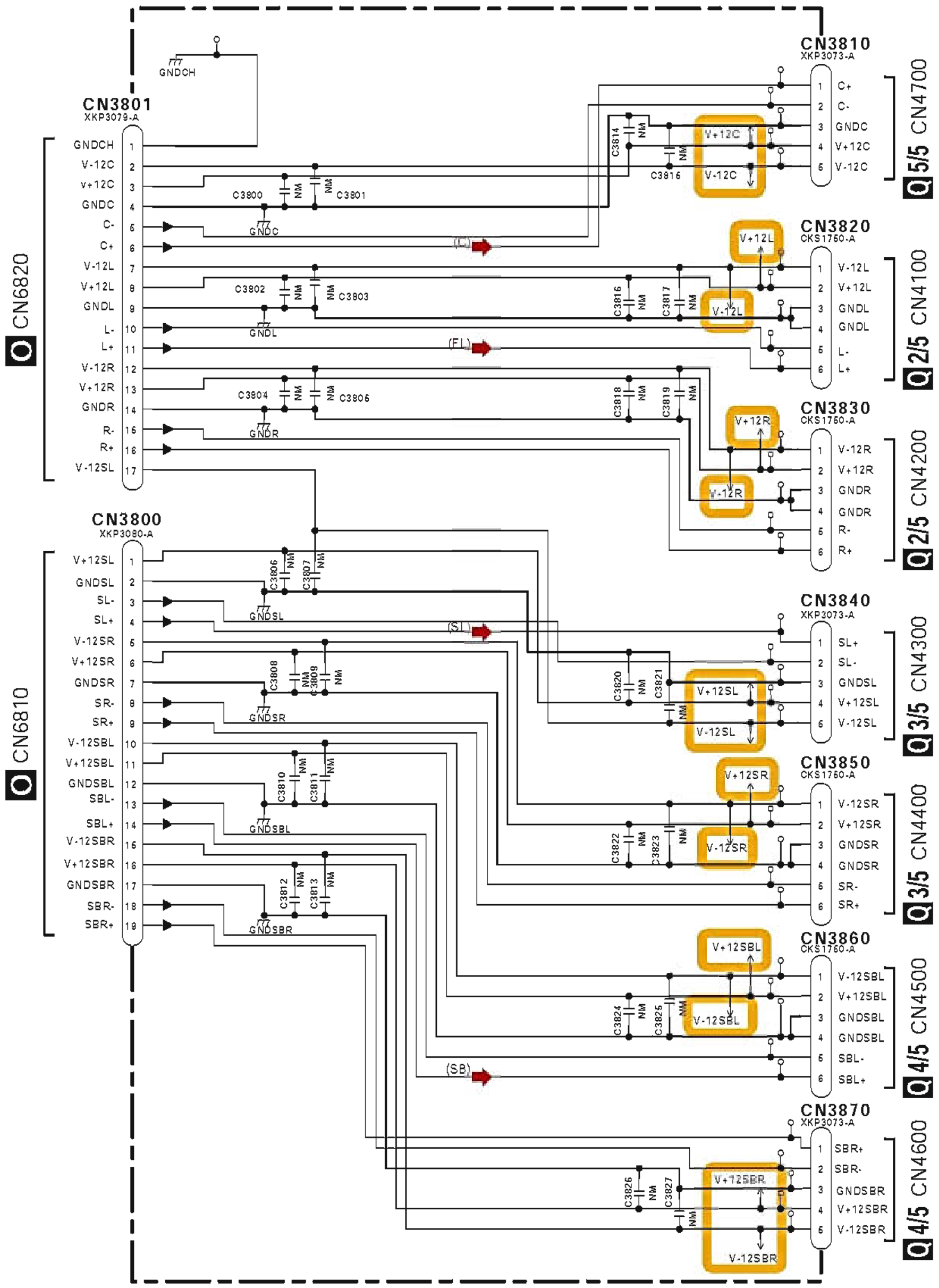
- (FL) : Audio Signal Route (Front L ch)
- (SL) : Audio Signal Route (Surround L ch)
- (C) : Audio Signal Route (Center)
- (SB) : Audio Signal Route (Surround Back L ch)
- (SW) : Audio Signal Route (Subwoofer)

NOTE
 1. RESISTORS
 Unit: k-kΩ, M-MΩ or Ω, unless otherwise noted.
 Rated Power: 1/16w unless otherwise noted.
 Tolerance: (J)5% unless otherwise noted.
 2. CAPACITORS
 Unit: p-pF or u-uF unless otherwise noted.
 Ratings: Capacity(F)/Voltage(V) unless otherwise noted.
 Y:CKSR YB:CKSRCH
 3. NM: No Mount

1608 SIZE	2126 SIZE	3216 SIZE
RS1/16S***	RS1/10S***	RS1/8S***
RN1/16S***	RS1/8SQ***	RS1/4SA***
CCSR***	CCSQ***	CCS***
CKSR***	CKSQ***	CKS***

10.20 ICE INTERFACE and ZOUT ASSYS

P ICE INTERFACE ASSY (AWX9137)

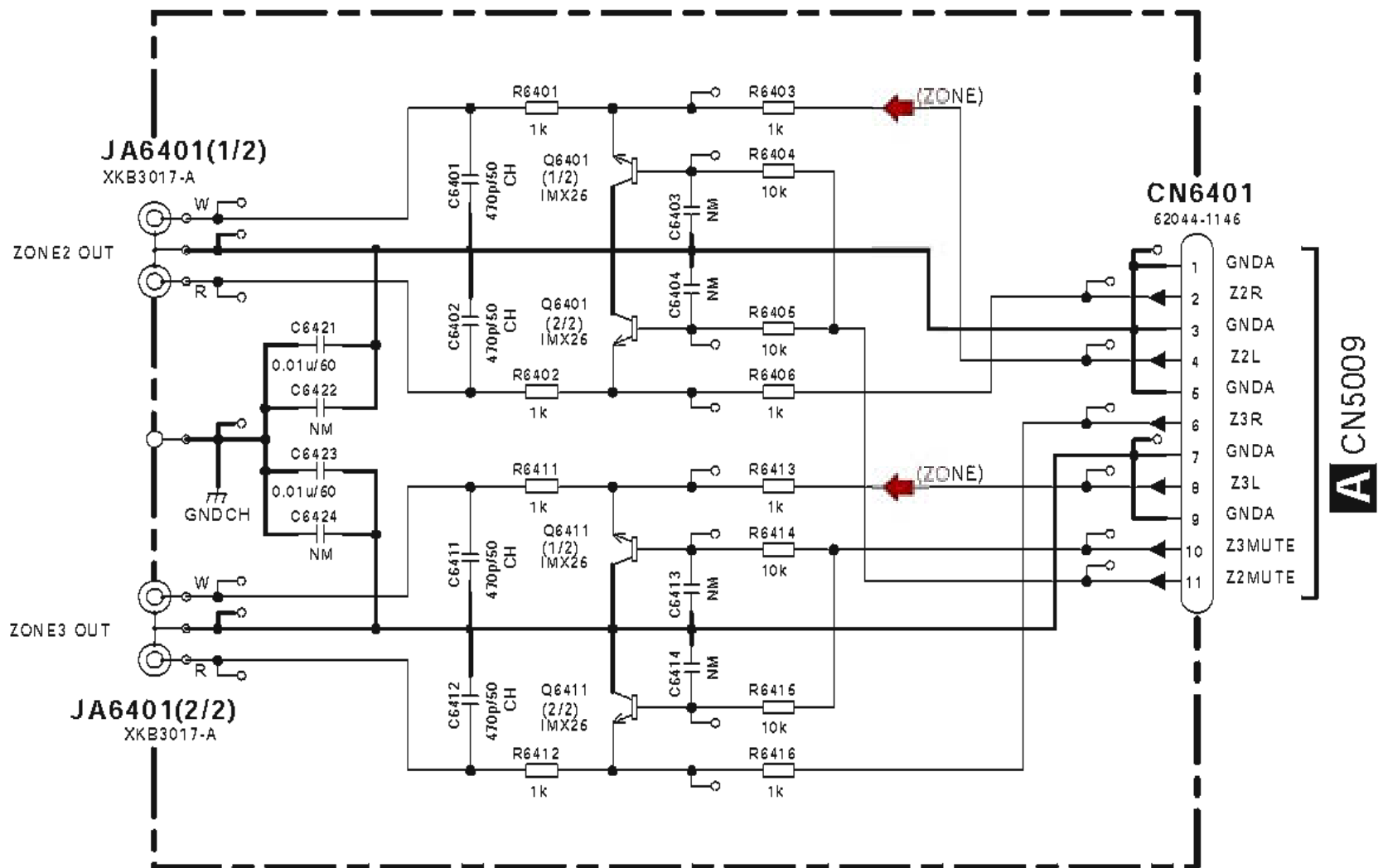


NOTE
 1. RESISTORS
 Unit: k-kΩ, M-MΩ or Ω, unless otherwise noted.
 Rated Power: 1/16w unless otherwise noted.
 Tolerance: (J) 5% unless otherwise noted.
 2. CAPACITORS
 Unit: p-pF or u-uF unless otherwise noted.
 Ratings: Capacity(F)/Voltage(V) unless otherwise noted.
 YB:CKSR YB, CH:CCSRCH
 3. NM: No Mount

1808 SIZE	2126 SIZE	3216 SIZE
RS1/18S***	RS1/10S***	RS1/8S***
RN1/18S***	RS1/8SQ***	RS1/4SA***
CCS***	CCSQ***	CCS***
CKSR***	CKSQ***	CKS***

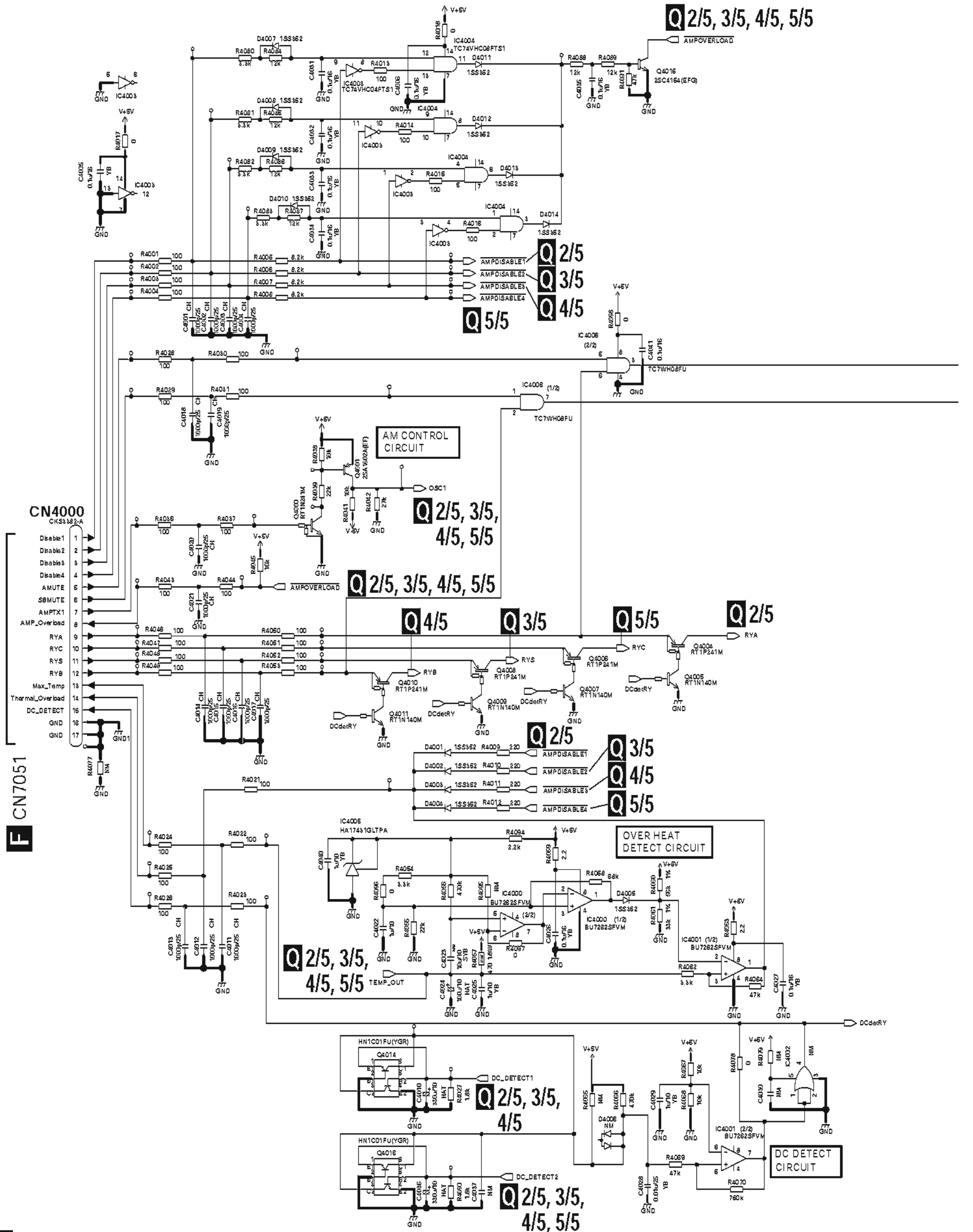
P

S ZOUT ASSY
(AWX9143)



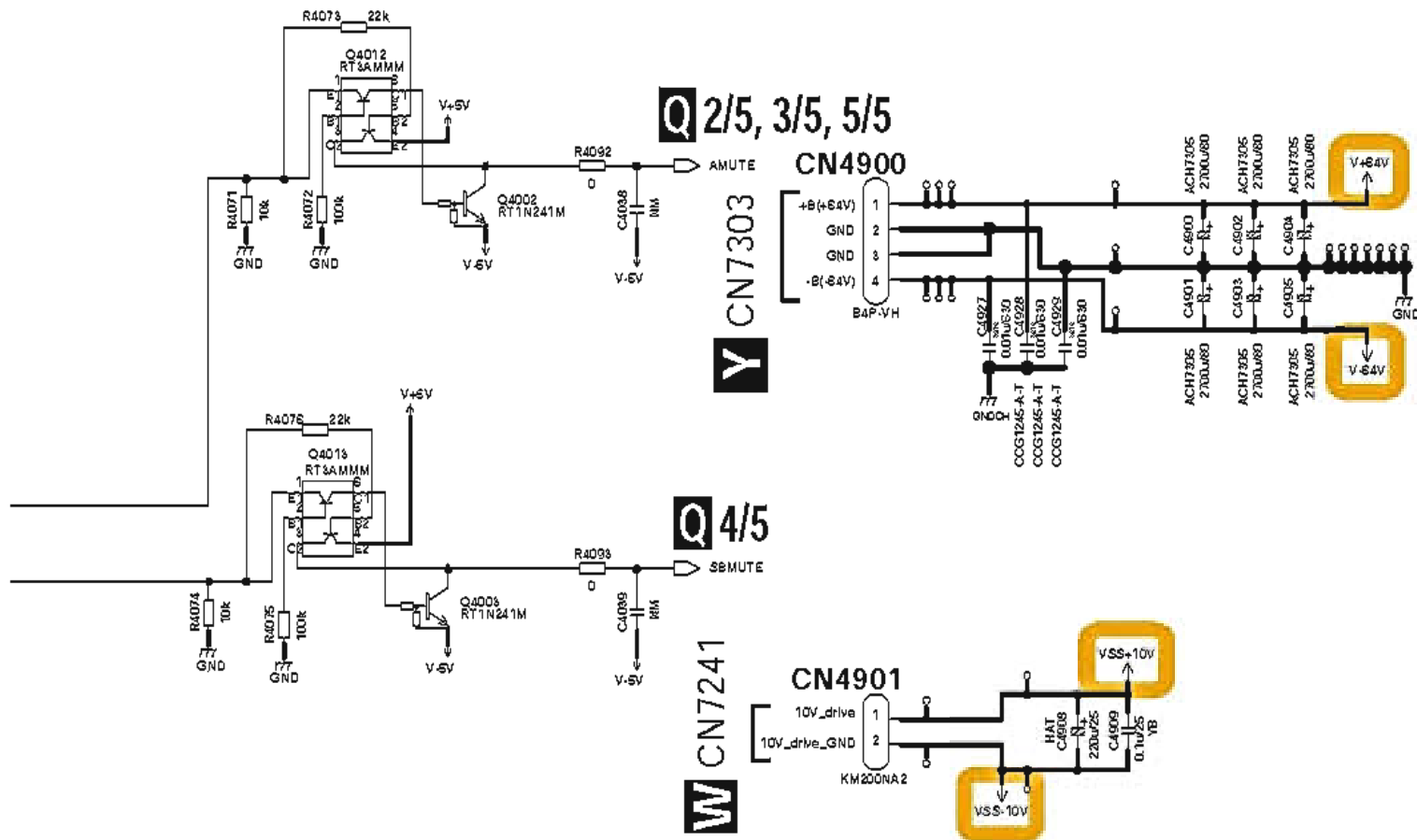
- (FL) : Audio Signal Route (Front L ch)
- (SL) : Audio Signal Route (Surround L ch)
- (C) : Audio Signal Route (Center)
- (SB) : Audio Signal Route (Surround Back L ch)
- (ZONE) : Audio Signal Route (Zone L ch)

10.21 ICEPOWER AMP ASSY (1/5)

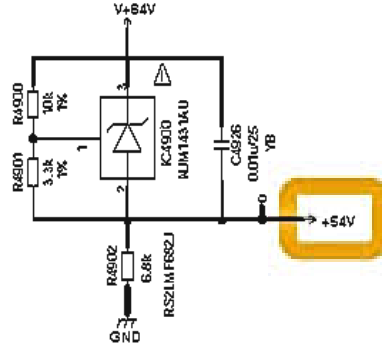
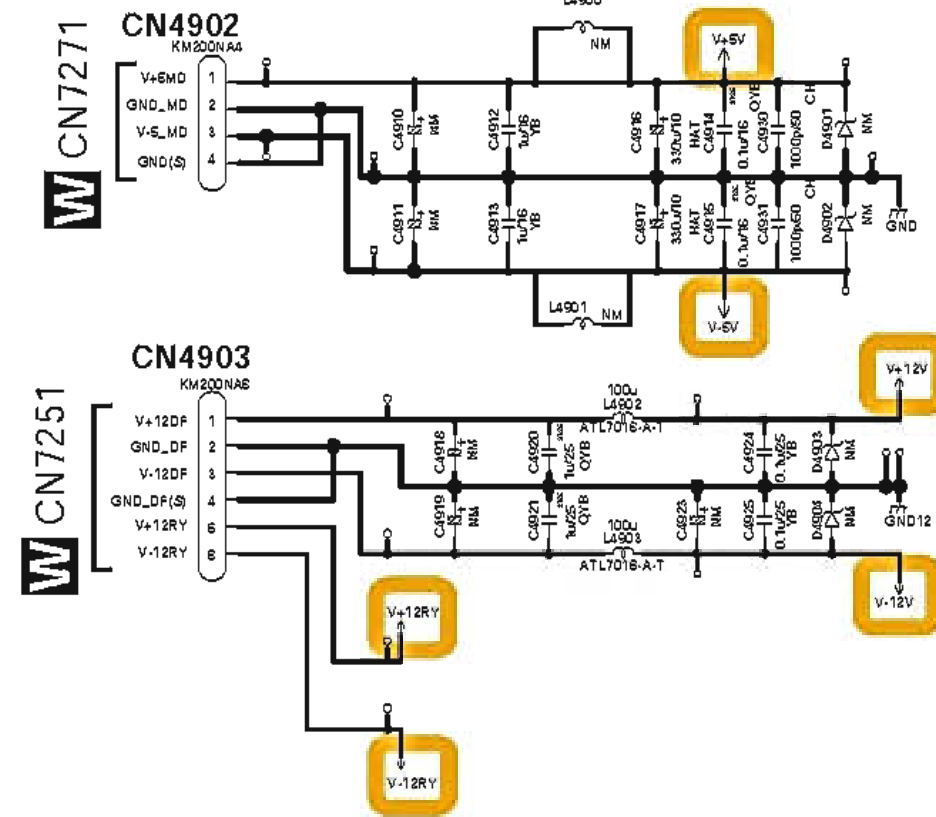


Q 1/5

Q 1/5 ICEPOWER AMP ASSY (AWH7015)



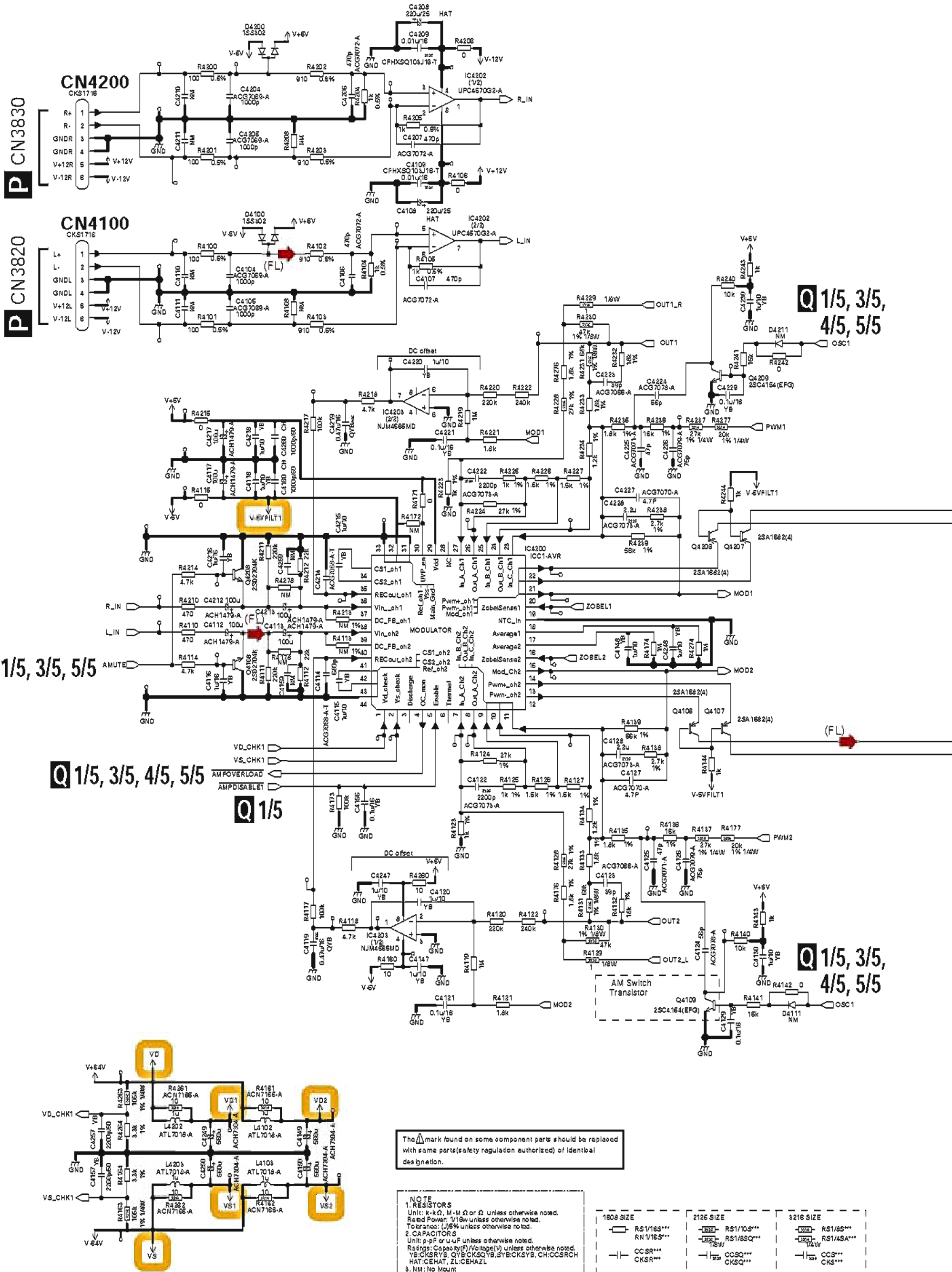
The Δ mark found on some component parts should be replaced with same parts (safety regulation authorized) of identical designation.



NOTE
 1. RESISTORS
 Unit: k-k Ω , M-M Ω or Ω unless otherwise noted.
 Rated Power: 1/8W unless otherwise noted.
 Tolerance: \pm 1% unless otherwise noted.
 2. CAPACITORS
 Unit: p-pF or μ -F unless otherwise noted.
 Ratings: Capacity(F)/Voltage(V) unless otherwise noted.
 YB:CKSR YB, QYB:CKSQ YB, SYB:CKSYB, CH:CCSR CH
 HAT:CEHAT, ZL:CEHAZL
 3. NM, No Mount



10.22 ICEPOWER AMP ASSY (2/5)



P CN3830

P CN3820

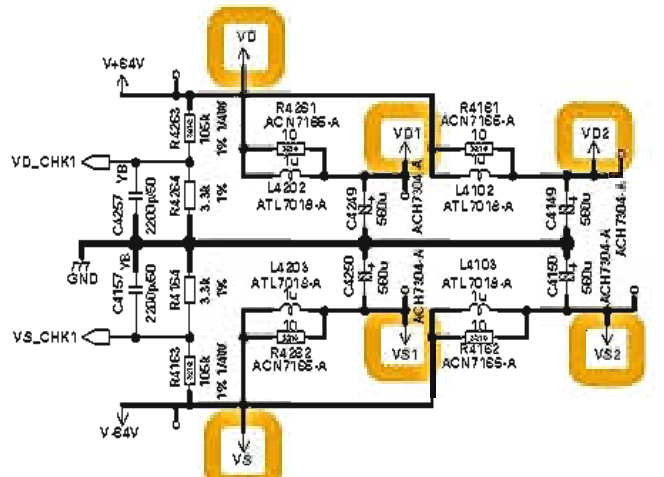
Q 1/5, 3/5, 4/5, 5/5

Q 1/5, 3/5, 5/5

Q 1/5, 3/5, 4/5, 5/5

Q 1/5

Q 1/5, 3/5, 4/5, 5/5



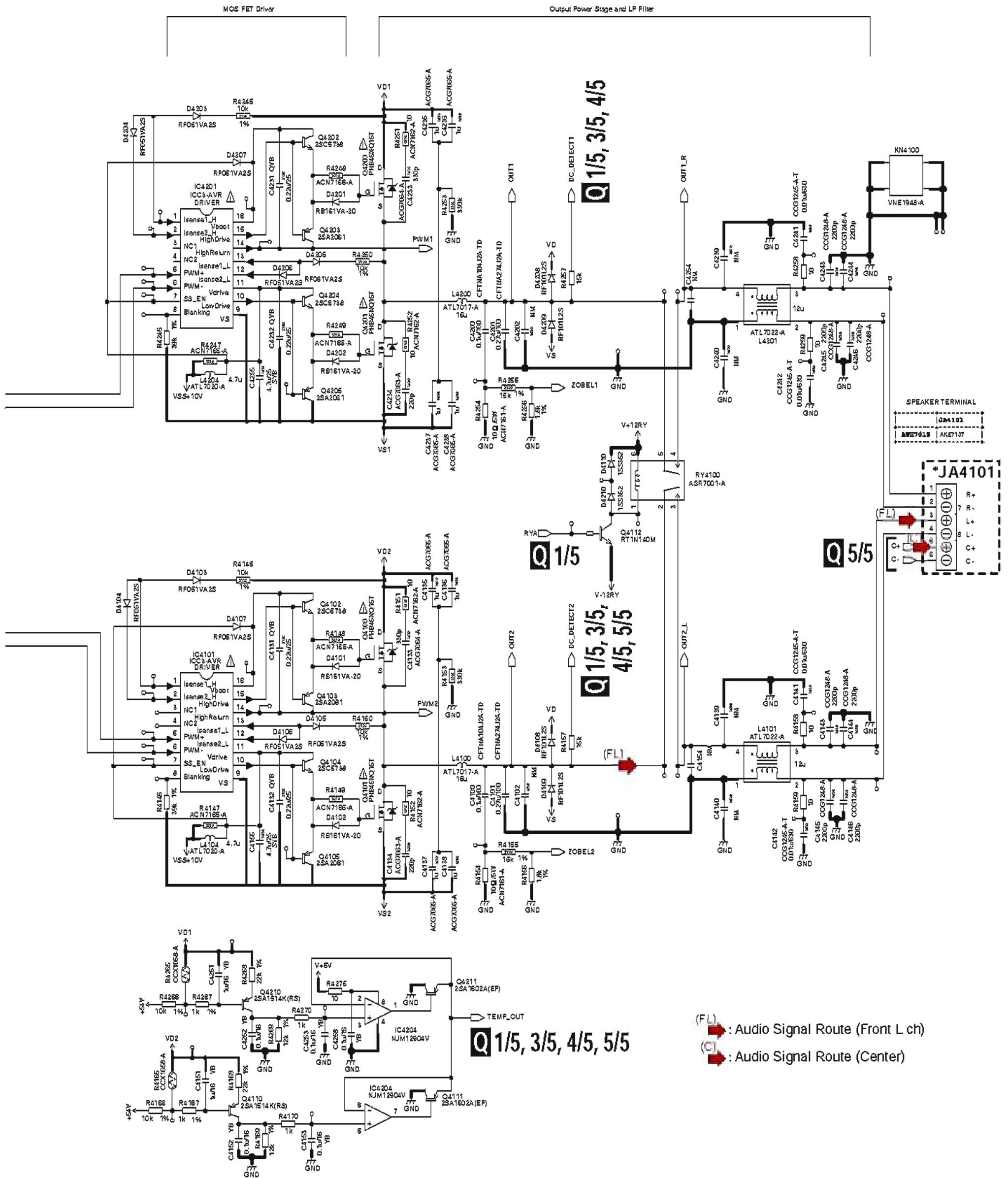
The Δ mark found on some component parts should be replaced with same parts (safety regulation authorized) of identical designation.

NOTE
 1. RESISTORS
 Unit: k-k Ω , M-M Ω or Ω unless otherwise noted.
 Rated Power: 1/10W unless otherwise noted.
 Tolerances: (J)5% unless otherwise noted.
 2. CAPACITORS
 Unit: p-pF or μ -F unless otherwise noted.
 Ratings: Capacity (F)/Voltage (V) unless otherwise noted.
 VS-CHK:RYB, CYB,CKSQ,YB,SVB,CKSYB,CH,CCSR,CH
 HAT:CEHAT, ZL,CEHAZL
 Δ :NM: No Mount

1808 SIZE	2126 SIZE	3216 SIZE
RS1/16S***	RS1/10S***	RS1/8S***
RN 1/16S***	RS1/8SC***	RS1/4SA***
CCSR***	CCSQ***	CCS***
CKSR***	CKSQ***	CKS***

Q 2/5

Q 2/5 ICEPOWER AMP ASSY (AWH7015)

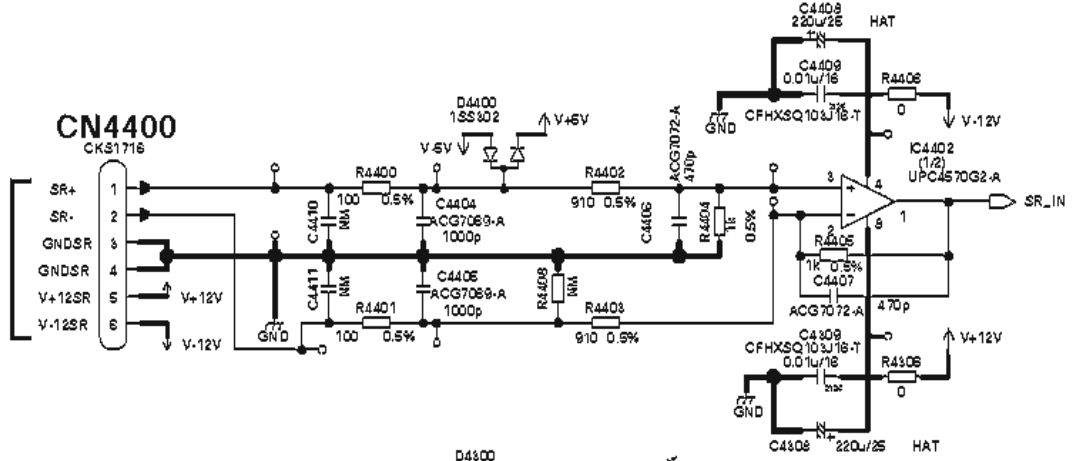


Q 1/5, 3/5, 4/5, 5/5

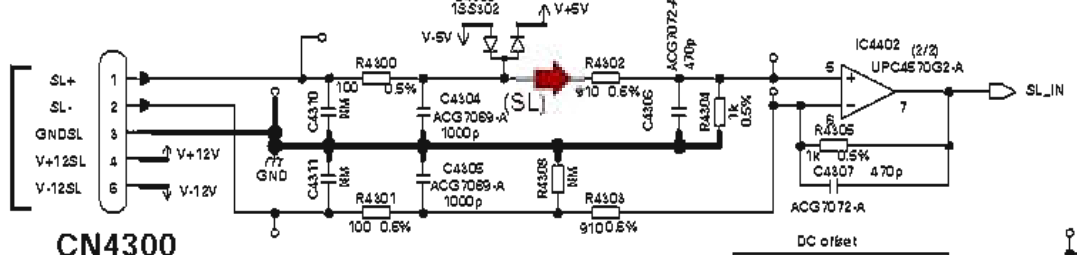
(FL) : Audio Signal Route (Front L ch)
 (C) : Audio Signal Route (Center)

10.23 ICEPOWER AMP ASSY (3/5)

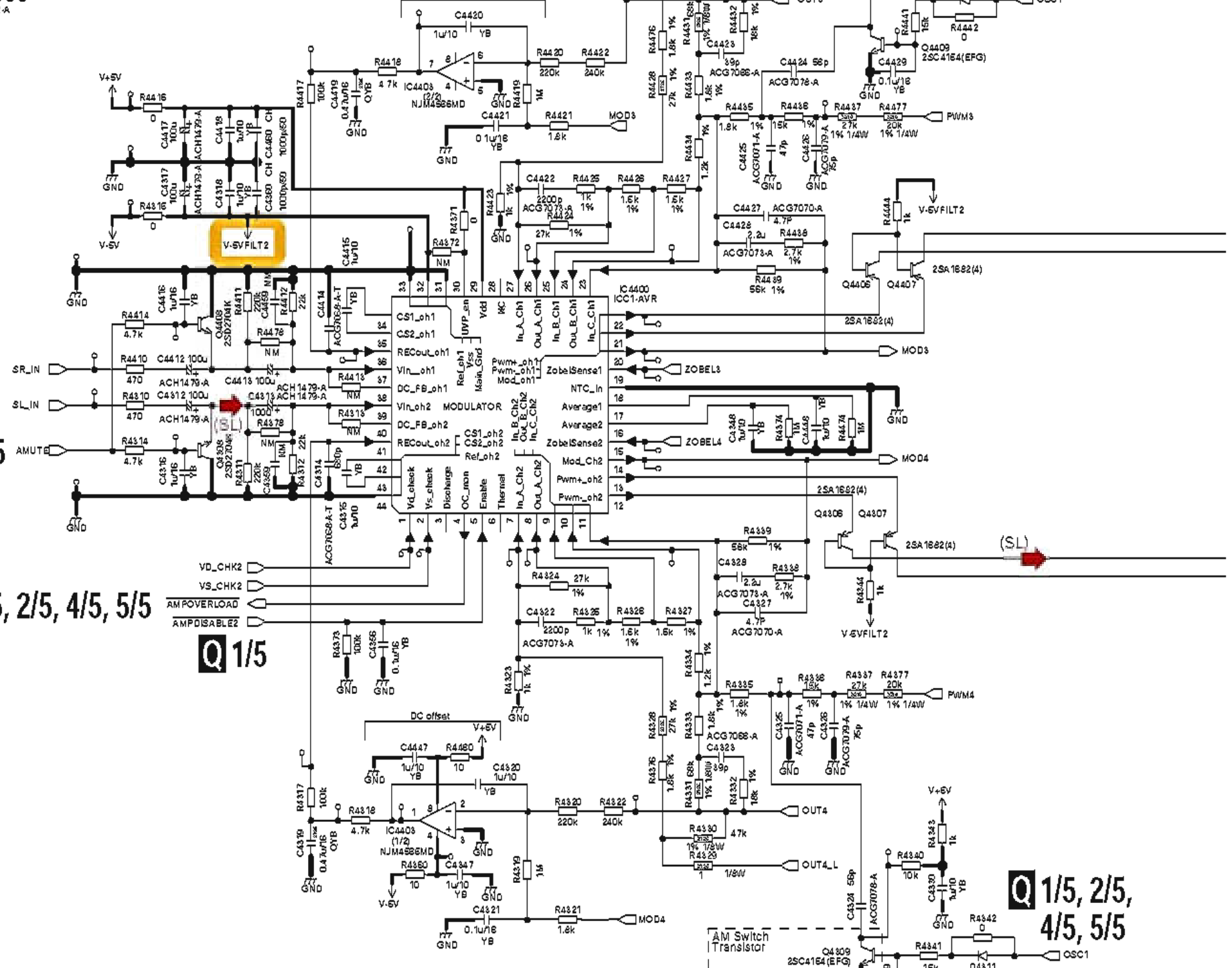
P CN3850



P CN3840



CN4300
XKP3082-A



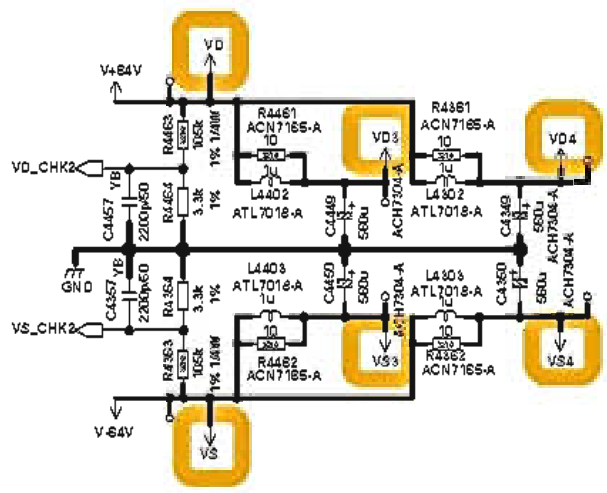
Q 1/5, 2/5, 4/5, 5/5

Q 1/5, 2/5, 5/5

Q 1/5, 2/5, 4/5, 5/5

Q 1/5

Q 1/5, 2/5, 4/5, 5/5



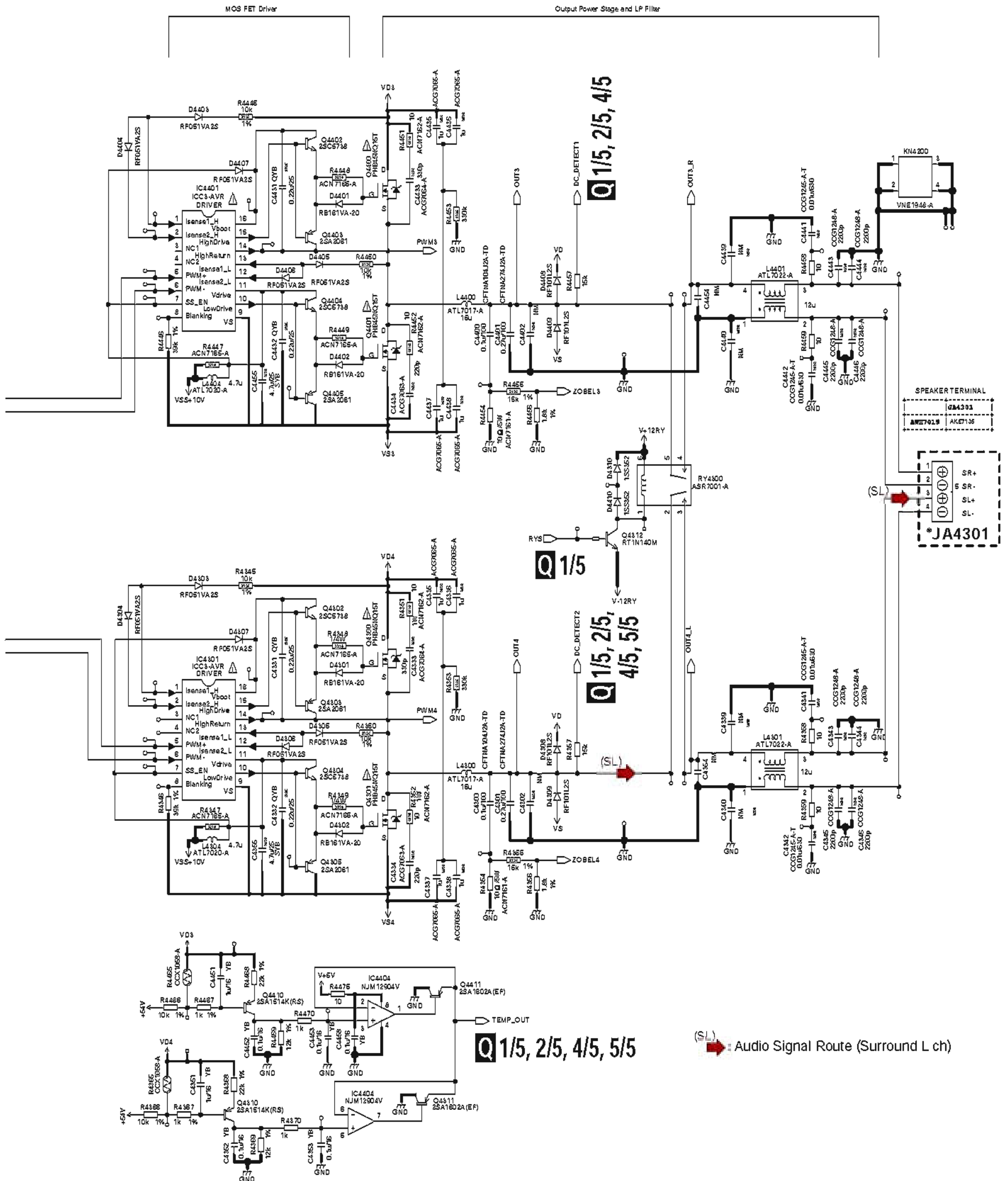
The Δ mark found on some component parts should be replaced with same parts (safety regulation authorized) of identical designation.

NOTE
1. RESISTORS
Unit: k- Ω , M- Ω or Ω unless otherwise noted.
Rated Power: 1/10W unless otherwise noted.
Tolerances: (J)5% unless otherwise noted.
2. CAPACITORS
Unit: p-pF or μ -F unless otherwise noted.
Ratings: Capacity (F)/Voltage (V) unless otherwise noted.
VS-CHK2-YB, VS-CHK2-YB, SV-BK, SV-B, CH-CCR, CH-HAT, CE-HAT, ZL-CEHAZL
 Δ : NM: No Mount

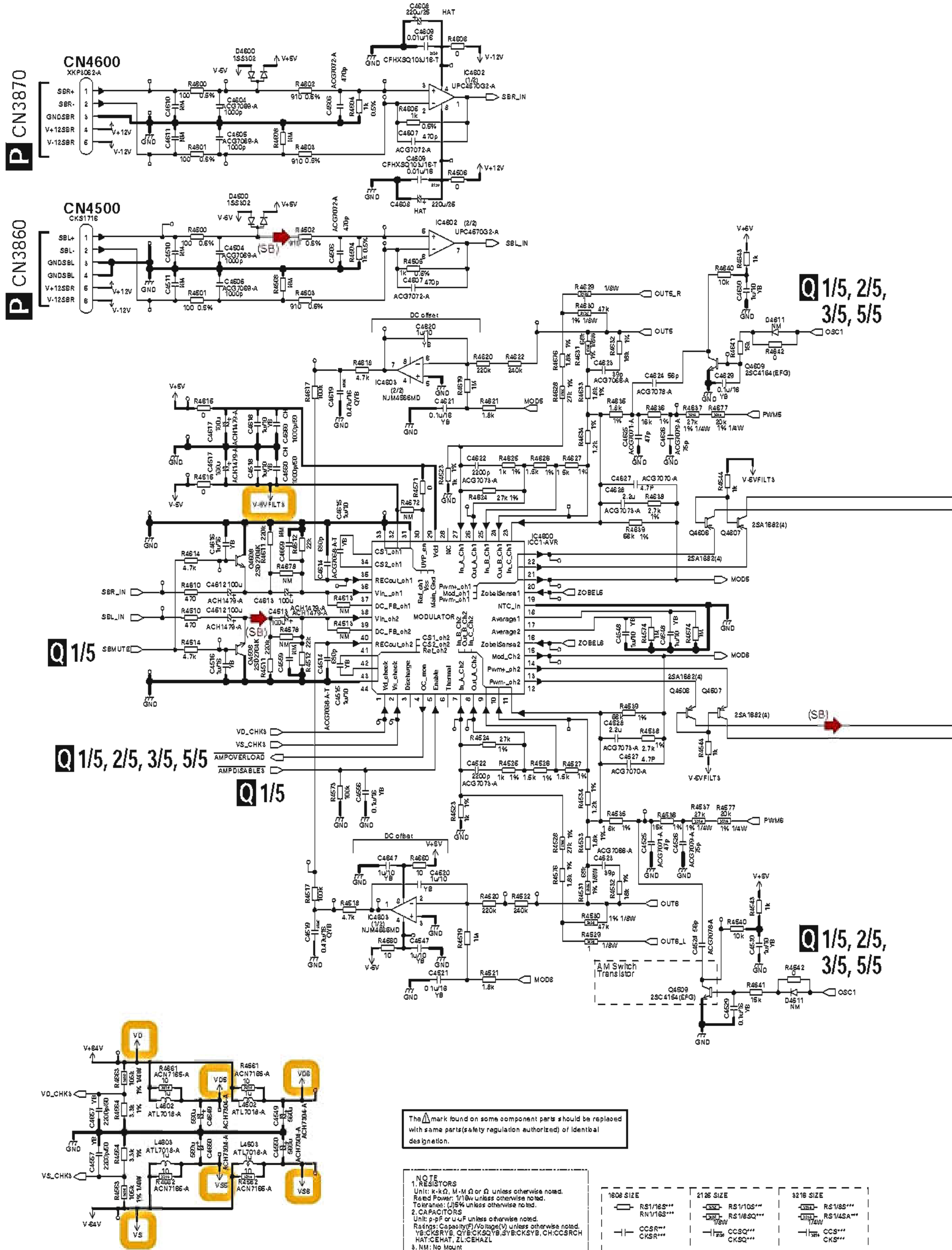
1808 SIZE	2126 SIZE	3216 SIZE
RS1/16S***	RS1/10S***	RS1/8S***
RN1/16S***	RS1/8SQ***	RS1/4SA***
CCSR***	CCSO***	CCS***
CKSR***	CKSQ***	CKS***

Q 3/5

Q 3/5 ICEPOWER AMP ASSY (AWH7015)



10.24 ICEPOWER AMP ASSY (4/5)



Q 1/5

Q 1/5, 2/5, 3/5, 5/5

Q 1/5

Q 1/5, 2/5, 3/5, 5/5

Q 1/5, 2/5, 3/5, 5/5

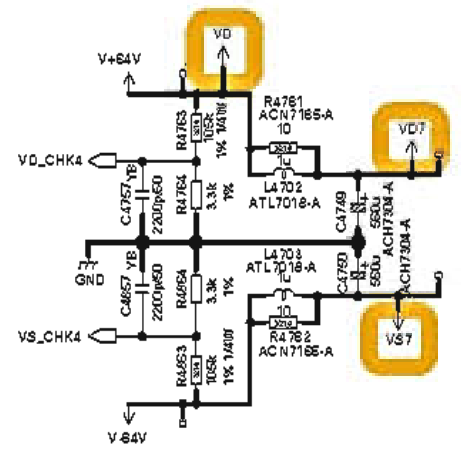
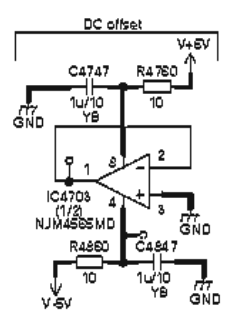
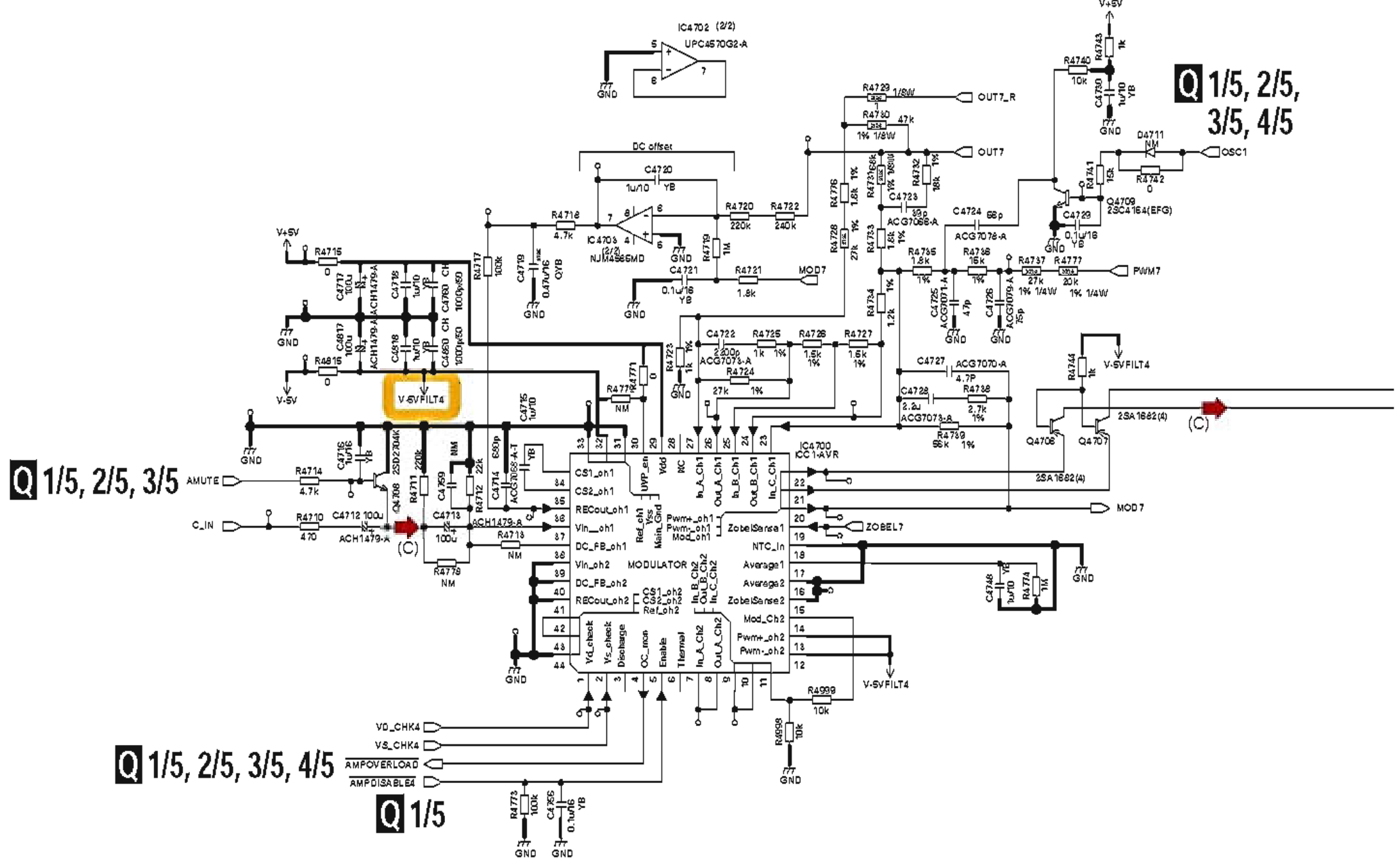
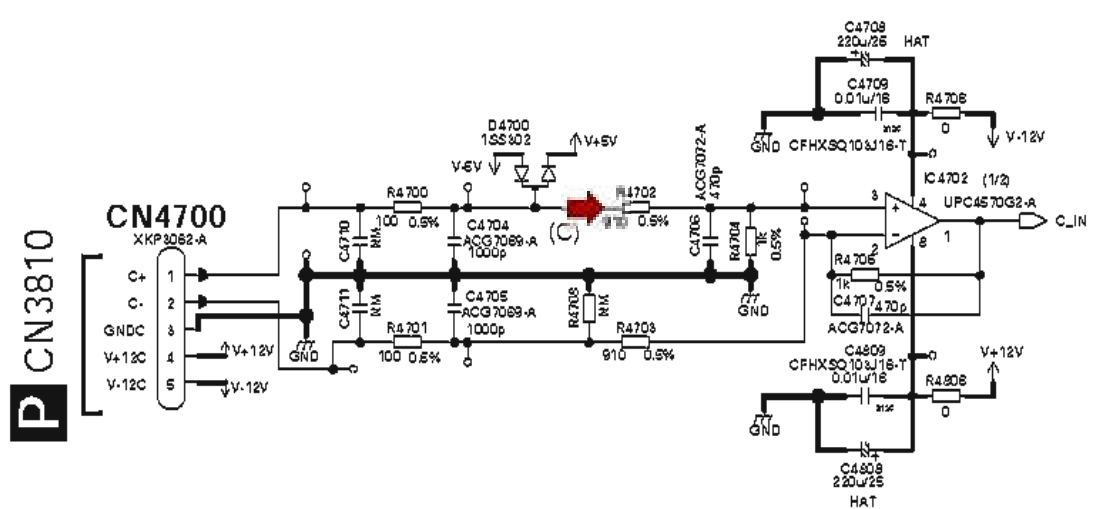
The Δ mark found on some component parts should be replaced with same parts (safety regulation authorized) of identical designation.

NOTE
 1. RESISTORS
 Unit: k-k Ω , M-M Ω or Ω unless otherwise noted.
 Rated Power: 1/8W unless otherwise noted.
 Tolerances: (J)5% unless otherwise noted.
 2. CAPACITORS
 Unit: p-pF or u-uF unless otherwise noted.
 Ratings: Capacity(F)/Voltage(V) unless otherwise noted.
 VS-CHK: YB, CY, BK, SQ, YB, SV, BK, CK, YB, CH, CCS, RCH
 HAT: CEHAT, ZL, CEHAZL
 Δ : NM: No Mount

1808 SIZE	2126 SIZE	3216 SIZE
RS1/16S***	RS1/10S***	RS1/8S***
RN1/16S***	RS1/8SQ***	RS1/4SA***
CCS***	CCSQ***	CCS***
CKS***	CKSQ***	CKS***

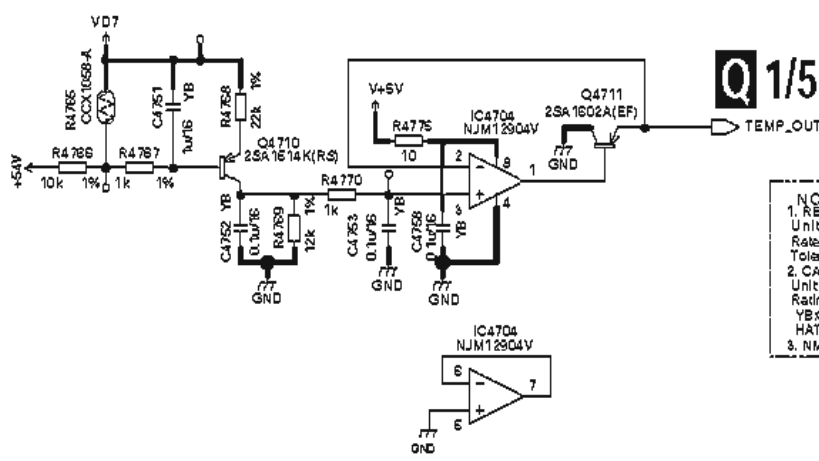
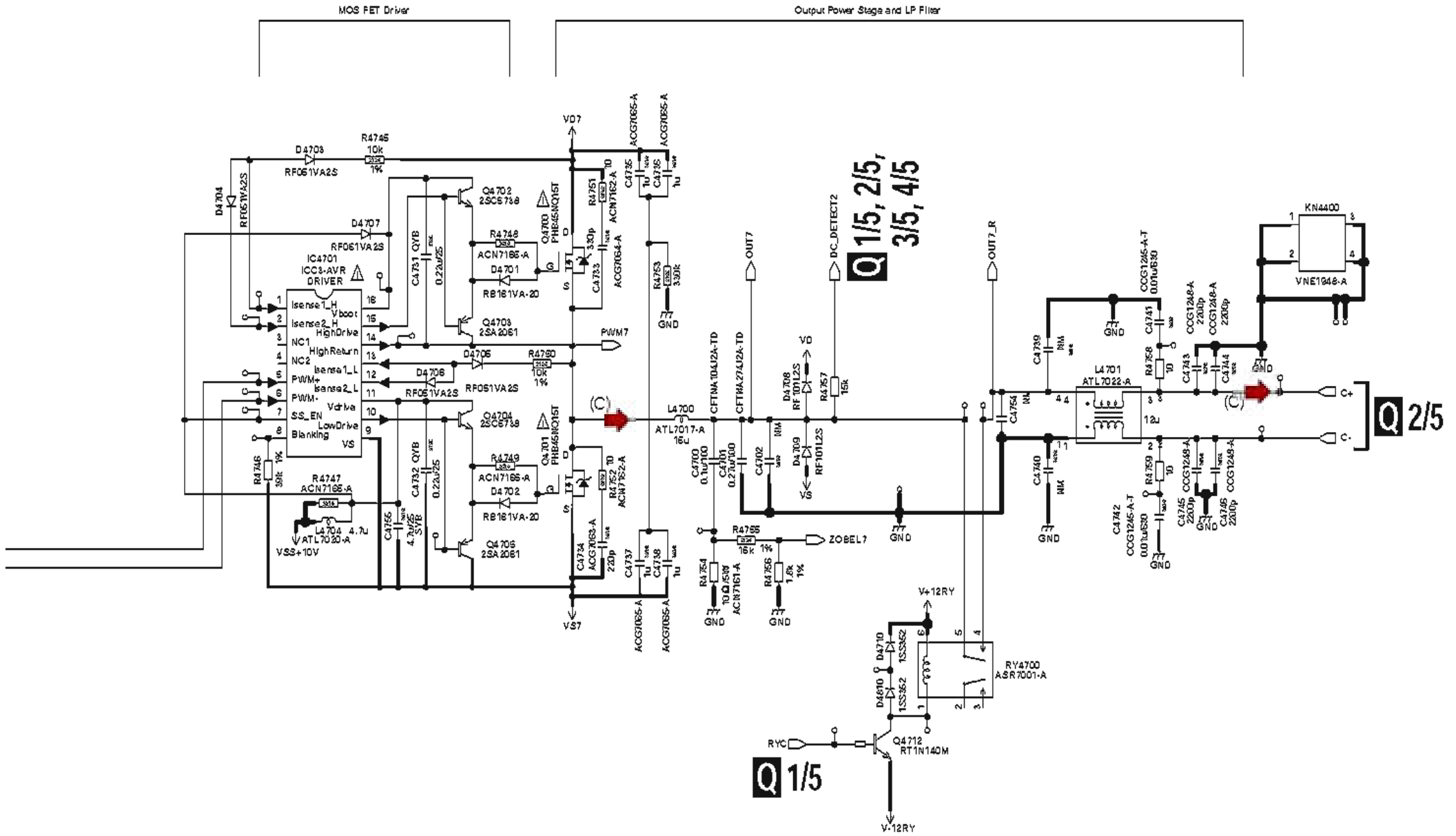
Q 4/5

10.25 ICEPOWER AMP ASSY (5/5)



The Δ mark found on some component parts should be replaced with same parts (safety regulation authorized) of identical designation.

Q 5/5 ICEPOWER AMP ASSY (AWH7015)



Q 1/5, 2/5, 3/5, 4/5

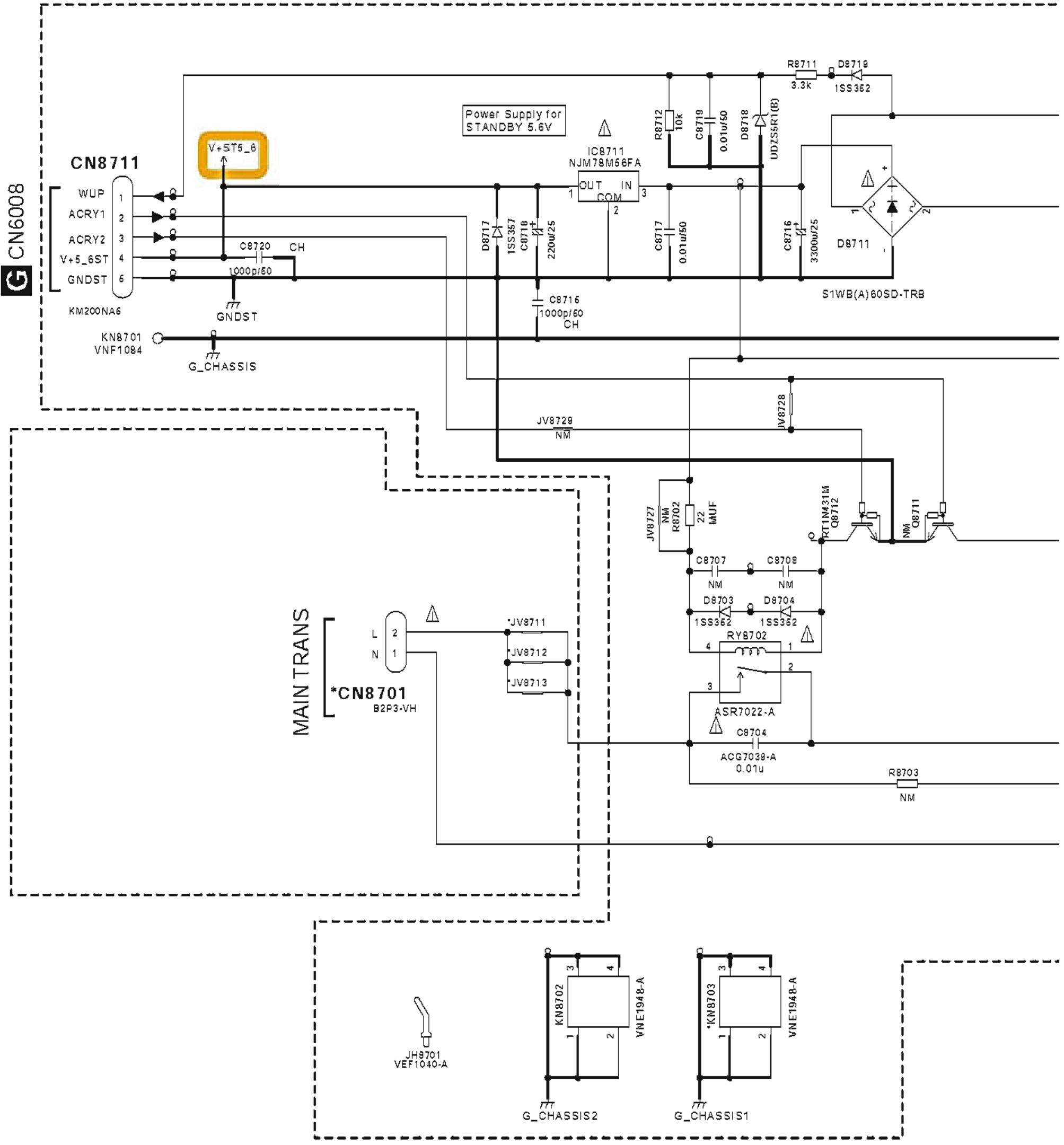
(C) Audio Signal Route (Center)

NOTES
 1. RESISTORS
 Unit: k-kΩ, M-MΩ or Ω unless otherwise noted.
 Rated Power: 1/16w unless otherwise noted.
 Tolerances: (J)5% unless otherwise noted.
 2. CAPACITORS
 Unit: p-pF or u-uF unless otherwise noted.
 Ratings: Capacity (P)/Voltage (V) unless otherwise noted.
 YB:CKSR1B, QYB:CKSQYB, SYB:CKSYB, CH:CCSRCH
 HAT:CEHAT, ZL:CEHAZL
 3. NM: No Mount

1808 SIZE	2126 SIZE	3216 SIZE
□ RS1/16S***	□ RS1/10S***	□ RS1/8S***
□ RN1/16S***	□ RS1/8SQ***	□ RS1/4SA***
□ CCSR***	□ CCSQ***	□ CCS***
□ CKSR***	□ CKSQ***	□ CKS***

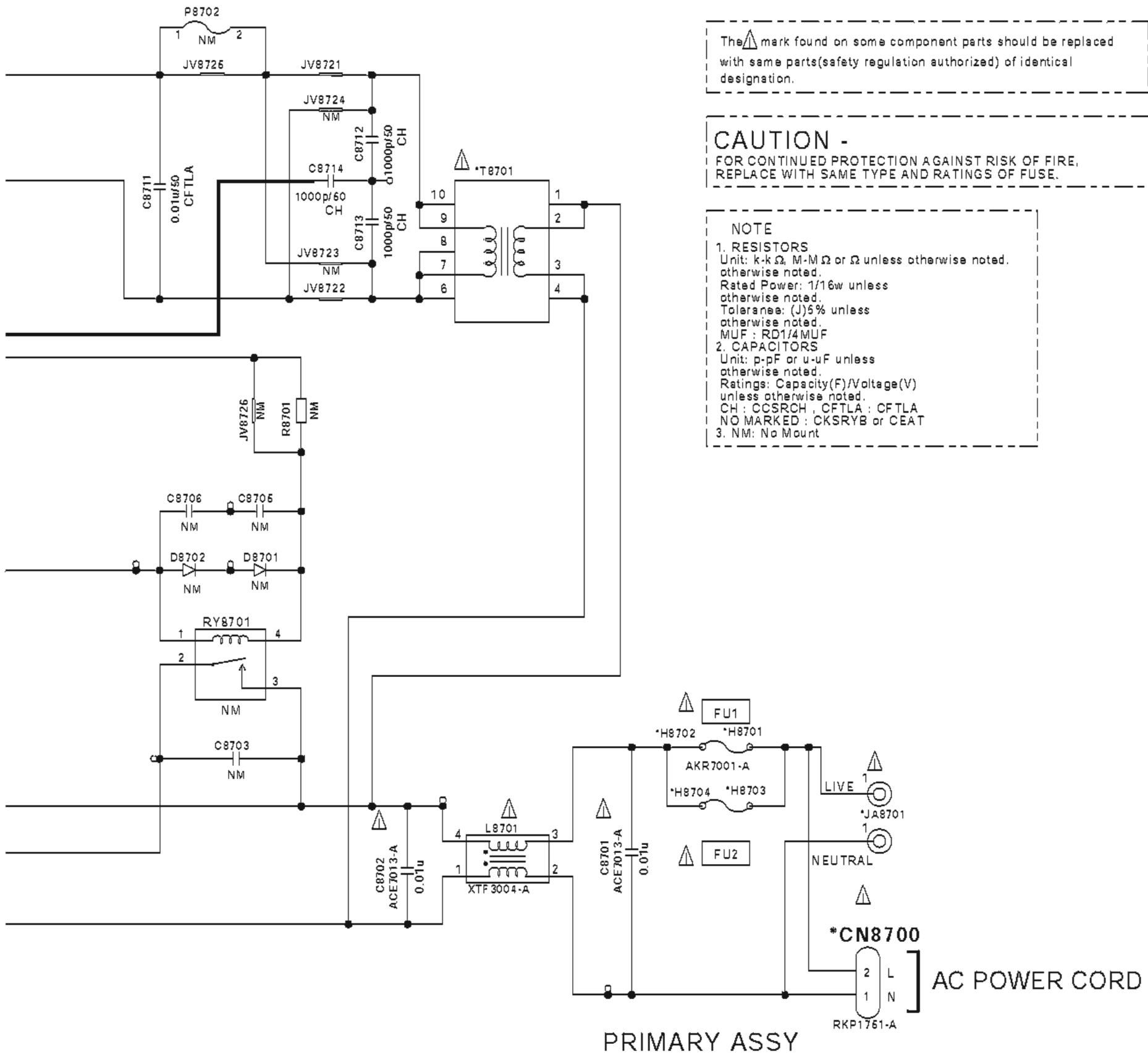
10.26 PRIMARY ASSY

AWX9154	
CN8701	B2P3-VE
CN8702	NM
JP8701	NM
JP8702	NM
JP8703	NM
JP8701_1	NM
JP8702_1	NM
JP8703_1	NM
JV8711	
JV8712	
JV8713	
S8751	NM



T PRIMARY ASSY (AWX9154)

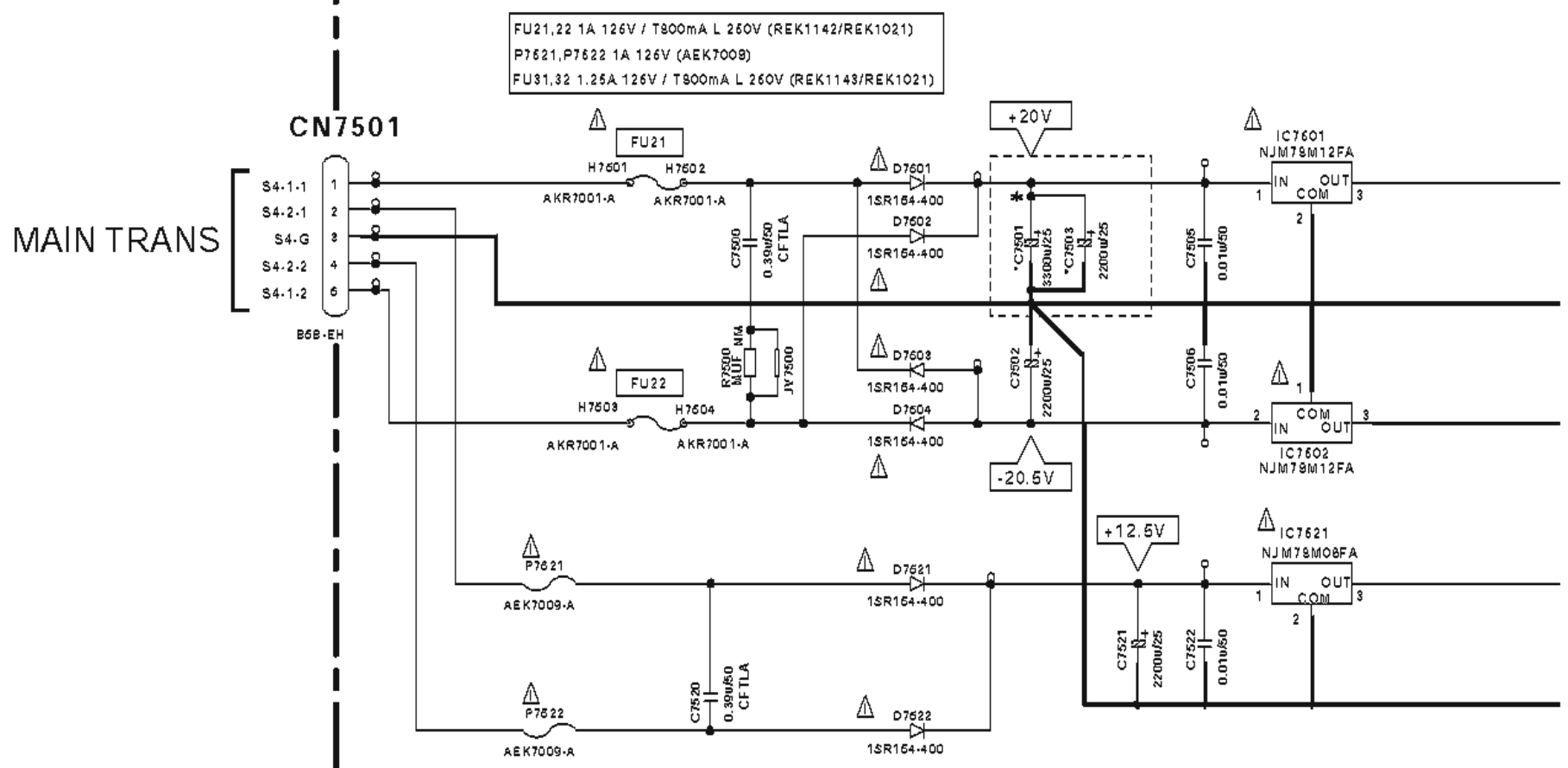
	AWX9154
CN8700	RKP1751-A
H8701	AKR7001-A
H8702	AKR7001-A
H8703	NM
H8704	NM
JA8701	NM
JA8701_1	NM
KN8703	VNE1948-A
T8701	ATT7043-A



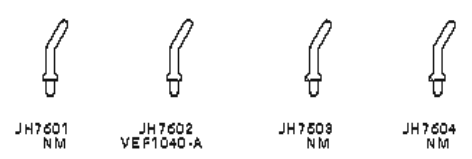
10.27 REG ASSY

V REG ASSY (AWX9152)

CAUTION : FOR CONTINUED PROTECTION AGAINST RISK OF FIRE, REPLACE ONLY WITH SAME TYPE NO. 491001 MFD, BY LITTELFUSE INC. FOR P7521 and P7522.

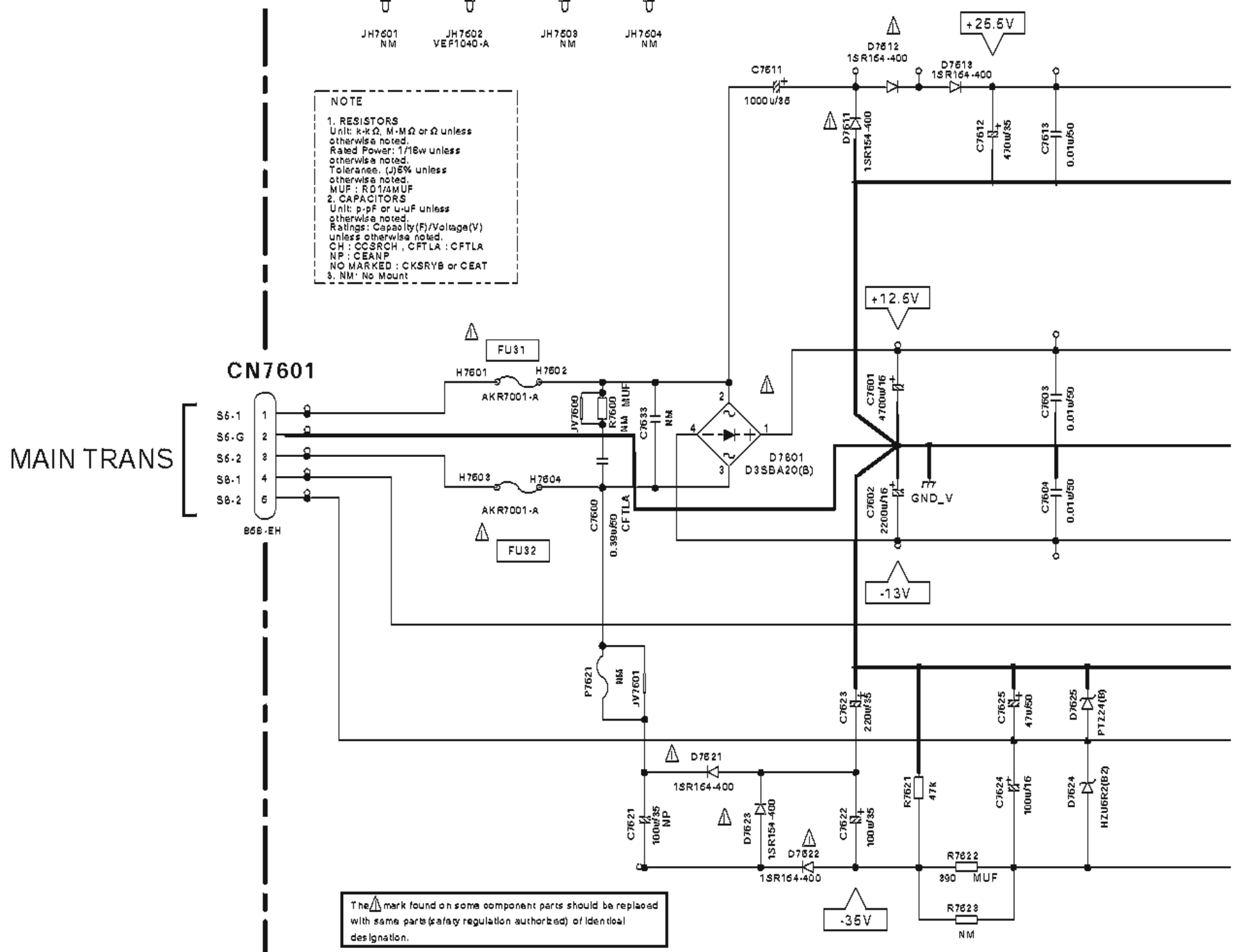


CAUTION - FOR CONTINUED PROTECTION AGAINST RISK OF FIRE, REPLACE WITH SAME TYPE NO. 491001. MFD. BY LITTELFUSE INC. FOR P7621 AND P7622.



NOTE

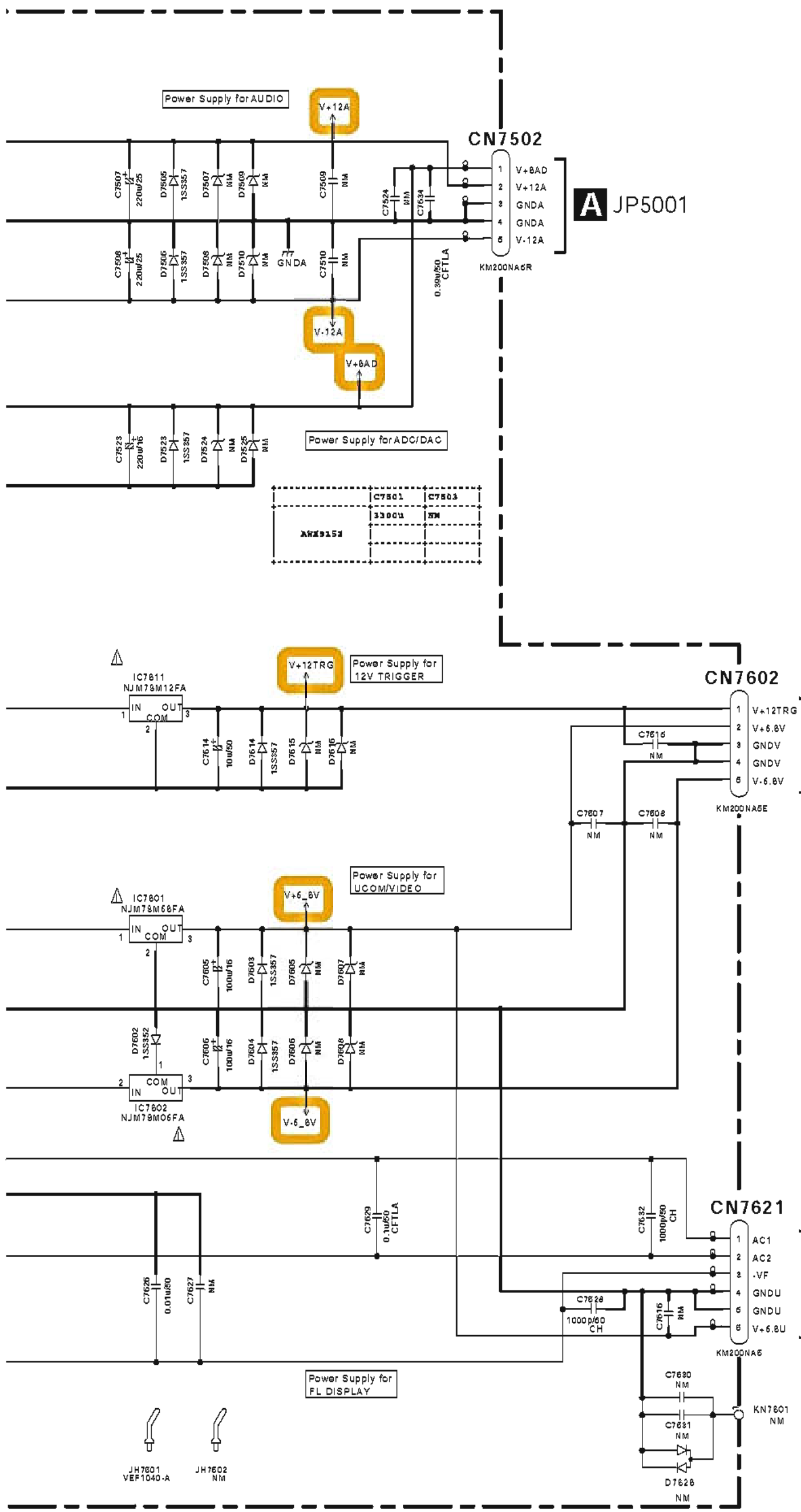
1. RESISTORS
 Unit: k- Ω , M- Ω or Ω unless otherwise noted.
 Rated Power: 1/10w unless otherwise noted.
 Tolerance: (J)5% unless otherwise noted.
 MUF: RD1/4MUF
 2. CAPACITORS
 Unit: p-pF or u-uF unless otherwise noted.
 Ratings: Capac (F)/Voltage(V) unless otherwise noted.
 CH: CCSRCH, CFTLA: CFTLA
 NP: CEANP
 NO MARKED: CKSRVB or CEAT
 3. NM: No Mount



The Δ mark found on some component parts should be replaced with same parts (safety regulation authorized) of identical designation.

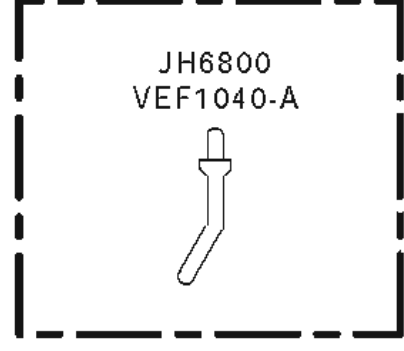
CAUTION - FOR CONTINUED PROTECTION AGAINST RISK OF FIRE, REPLACE WITH SAME TYPE AND RATINGS OF FUSE.



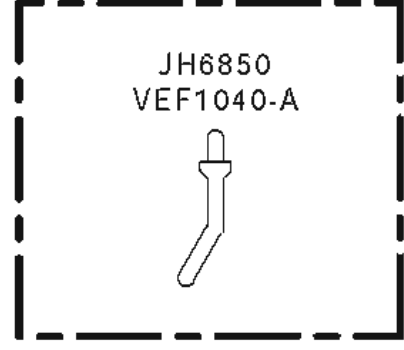


C7501	C7503
3300u	NM

H GUARD1 ASSY (AWX9174)



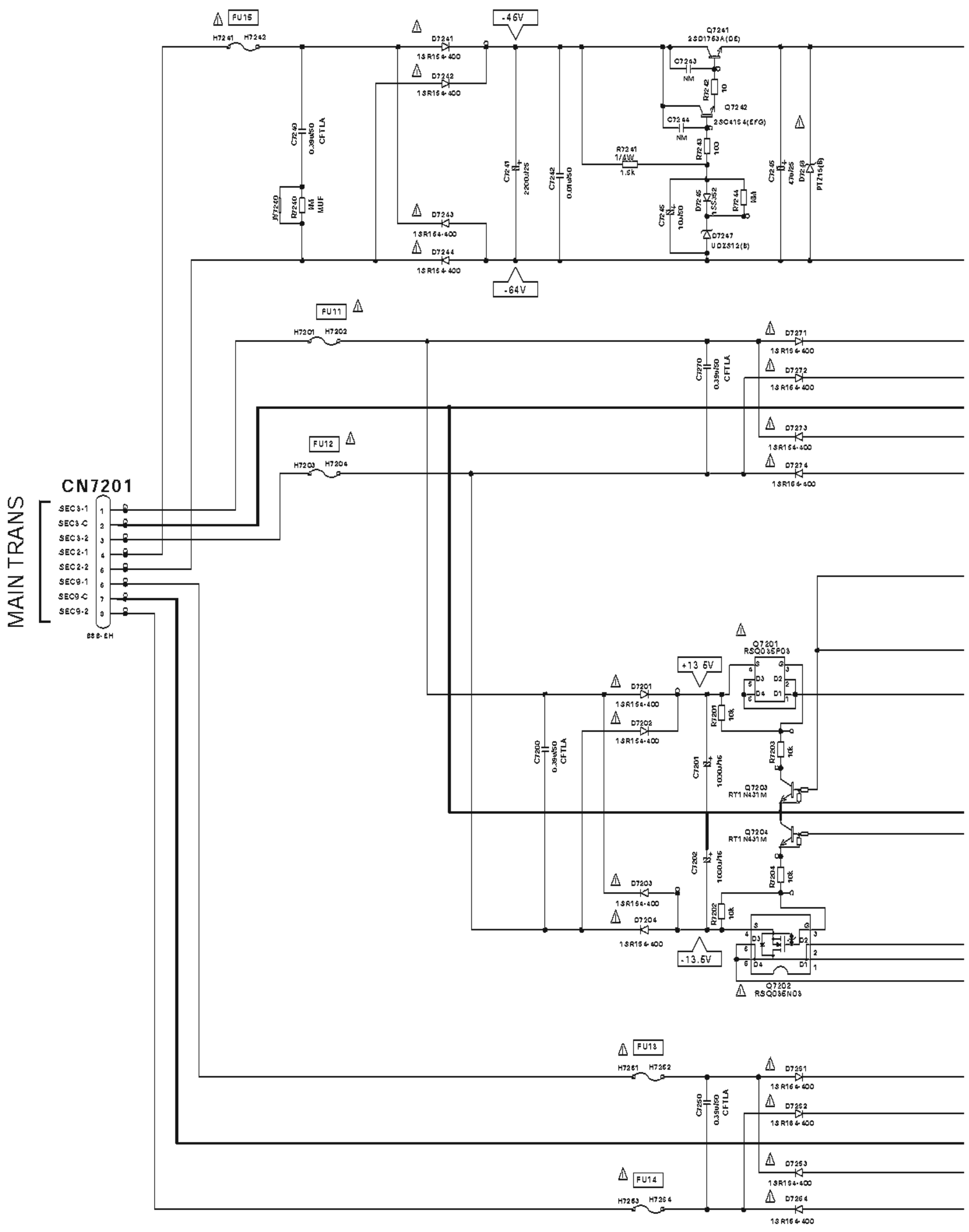
H GUARD2 ASSY (AWX9147)



G CN6007

K JH8201

10.28 ICE REG ASSY

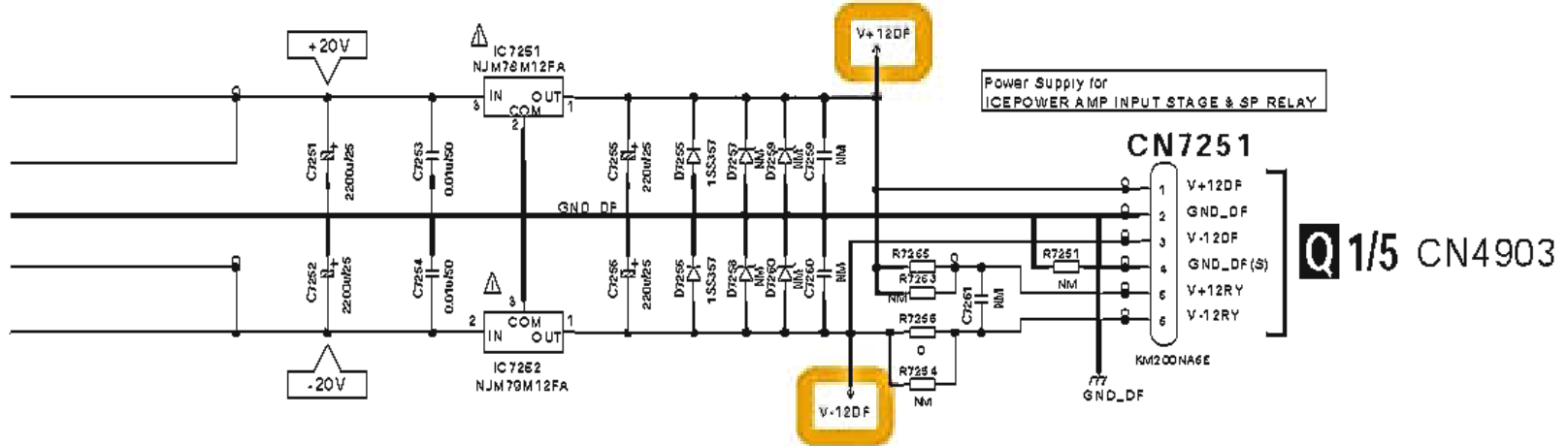
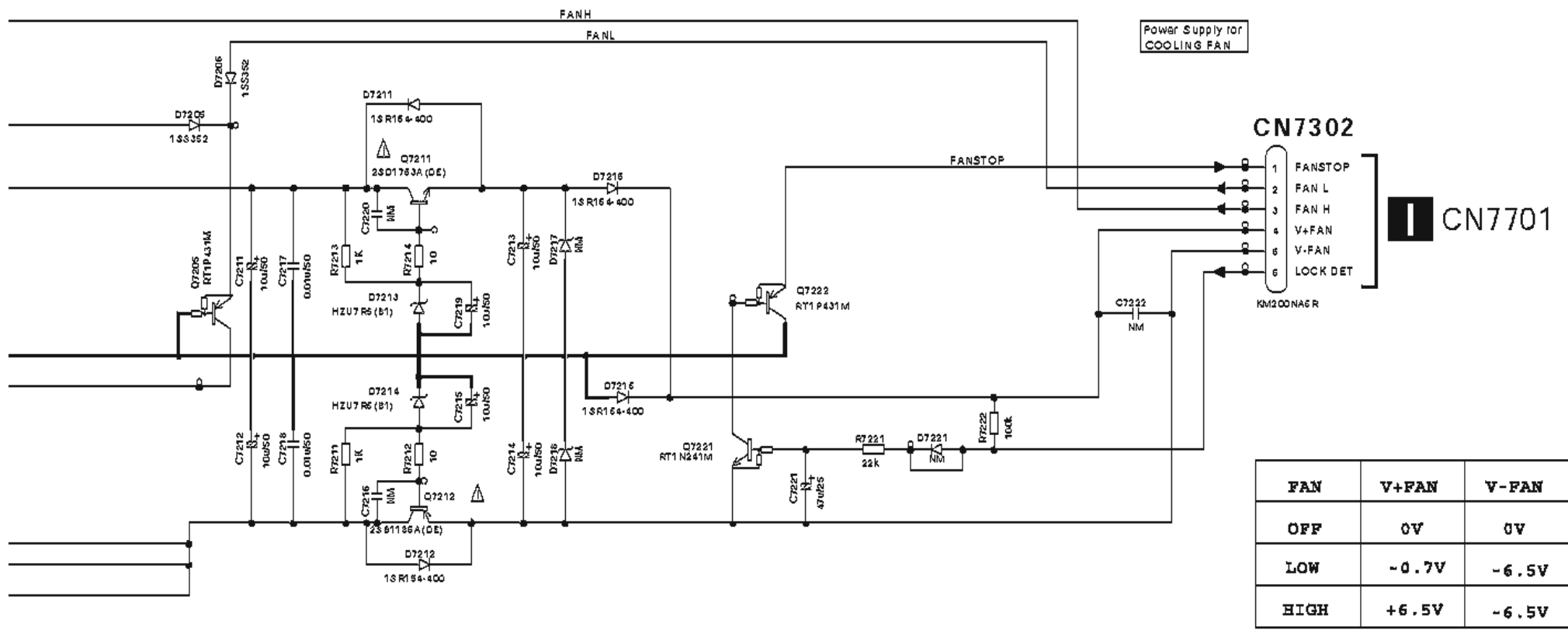
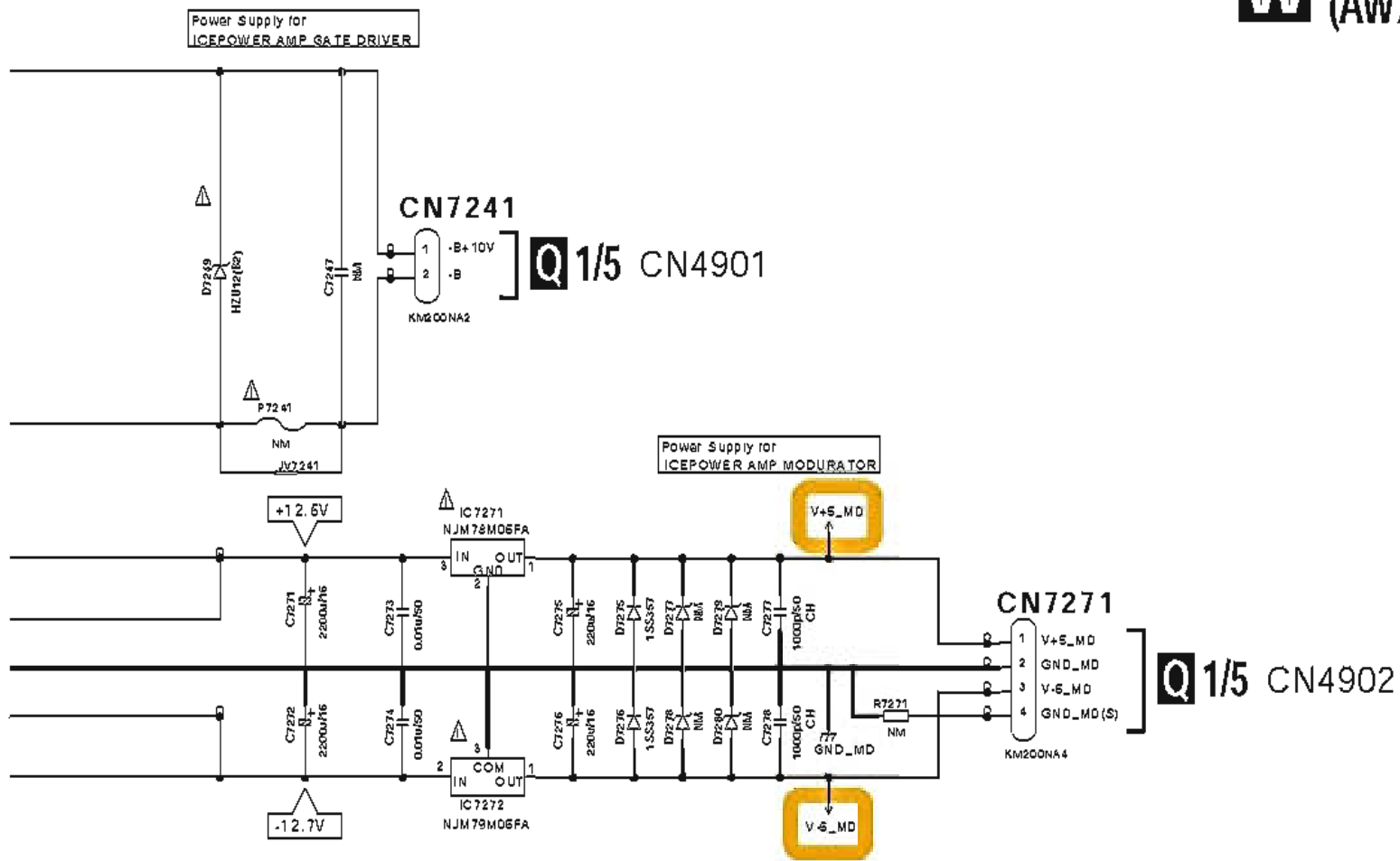


NOTE

- RESISTORS**
Unit: k-kΩ, M-MΩ or Ω unless otherwise noted.
Rated Power: 1/18W unless otherwise noted.
Tolerance: (J)5% unless otherwise noted.
MUF: RD1/4MUF
- CAPACITORS**
Unit: p-pF or u-uF unless otherwise noted.
Ratings: Capacity(F)/Voltage(V) unless otherwise noted.
CH: CCSRCH, CFTLA: CFTLA, NO MARKED: CKSRVB or CEAT
S, NM: No Mount

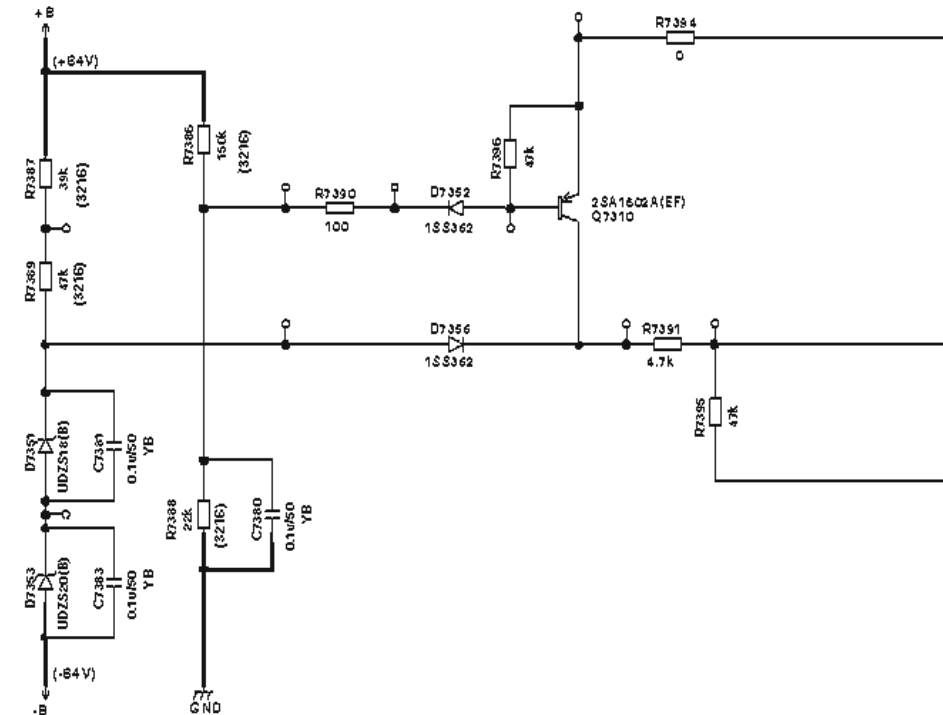
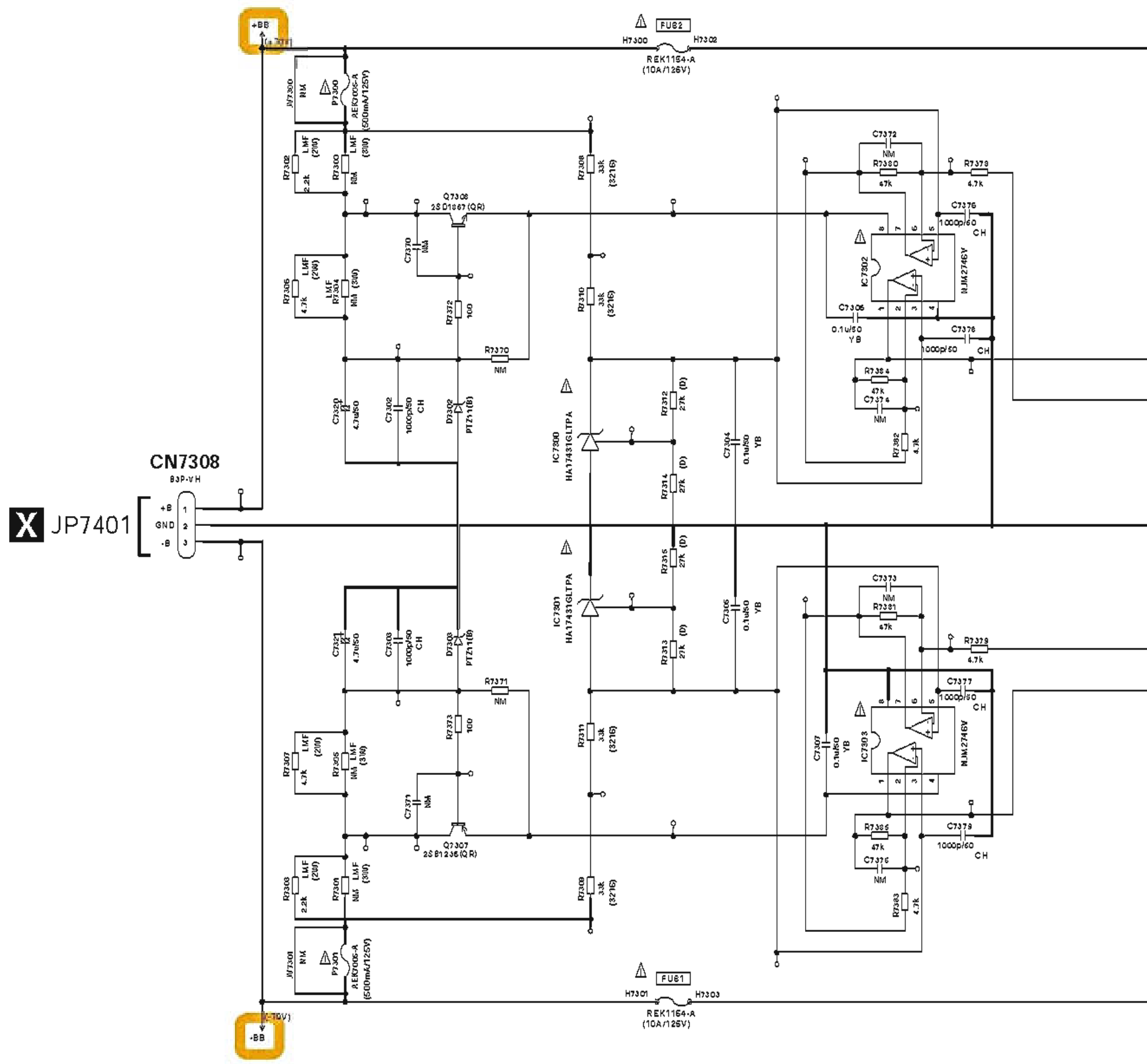
CAUTION - FOR CONTINUED PROTECTION AGAINST RISK OF FIRE, REPLACE WITH SAME TYPE AND RATINGS OF FUSE.





The Δ mark found on some component parts should be replaced with same parts (safety regulation authorized) of identical designation.

10.29 B REG ASSY



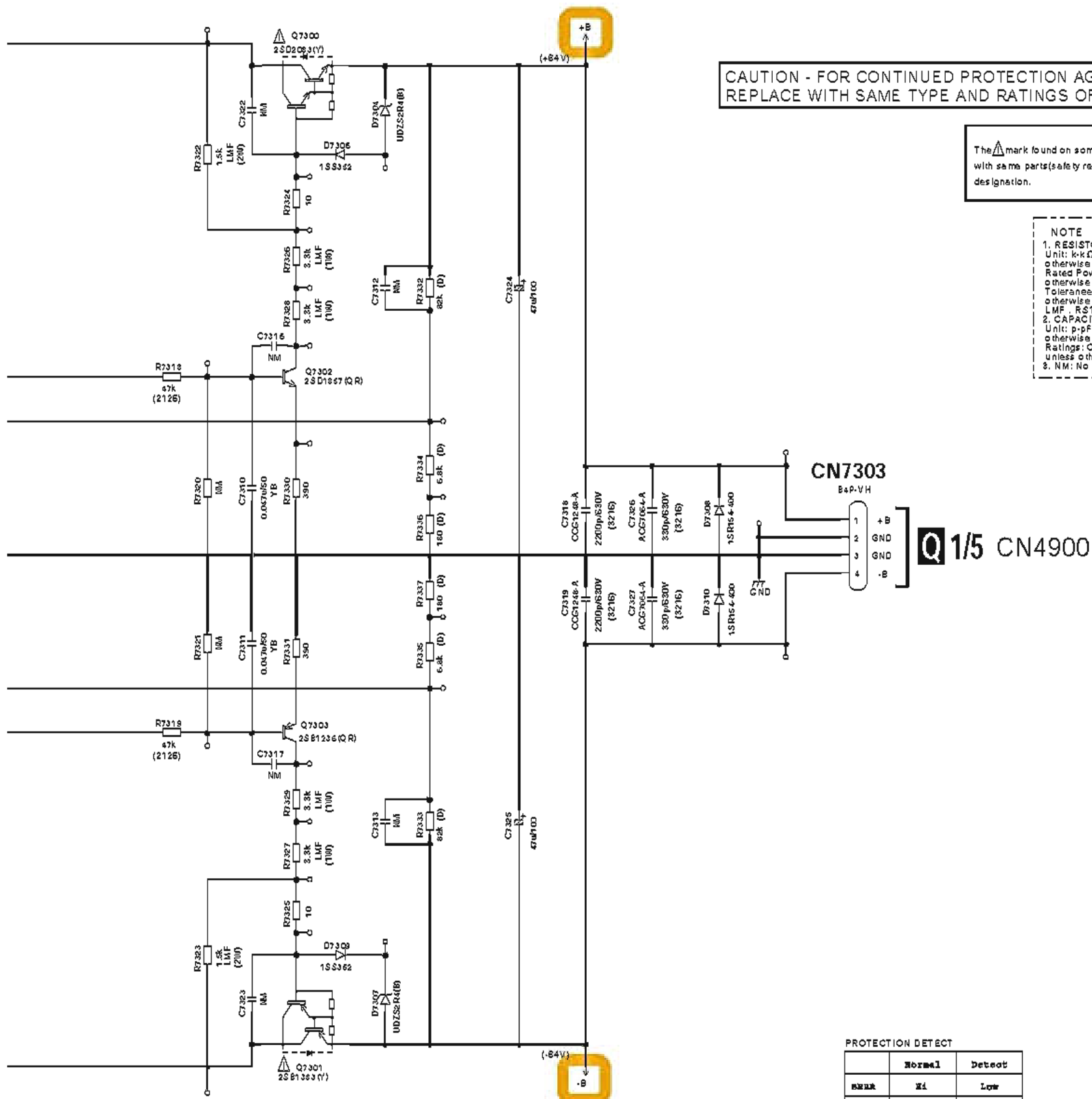
Y B REG ASSY (AWX9150)

CAUTION : FOR CONTINUED PROTECTION AGAINST RISK OF FIRE, REPLACE ONLY WITH SAME TYPE NO. 491,500 MFD, BY LITTELFUSE INK. FOR P7300 and P7301.

CAUTION - FOR CONTINUED PROTECTION AGAINST RISK OF FIRE, REPLACE WITH SAME TYPE AND RATINGS OF FUSE.

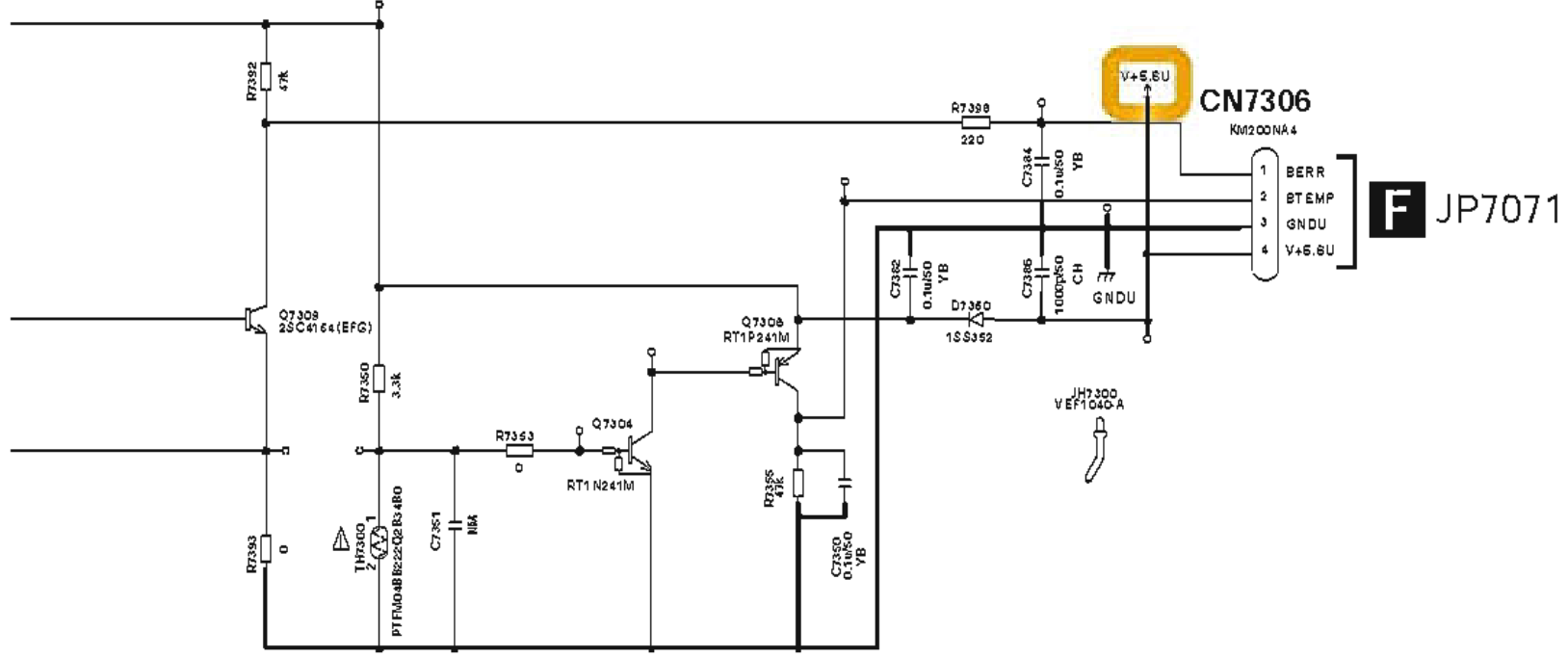
The Δ mark found on some component parts should be replaced with same parts (safety regulation authorized) of identical designation.

NOTE
 1. RESISTORS
 Unit: k-k Ω , M-M Ω or Ω unless otherwise noted.
 Rated Power: 1/16W unless otherwise noted.
 Tolerance: (J)5% unless otherwise noted.
 LMF - RS1LMF, RS2LMF, RS3LMF
 2. CAPACITORS
 Unit: p-pF or u-uF unless otherwise noted.
 Ratings: Capacity(F)/Voltage(V) unless otherwise noted.
 Δ : NM: No Mount



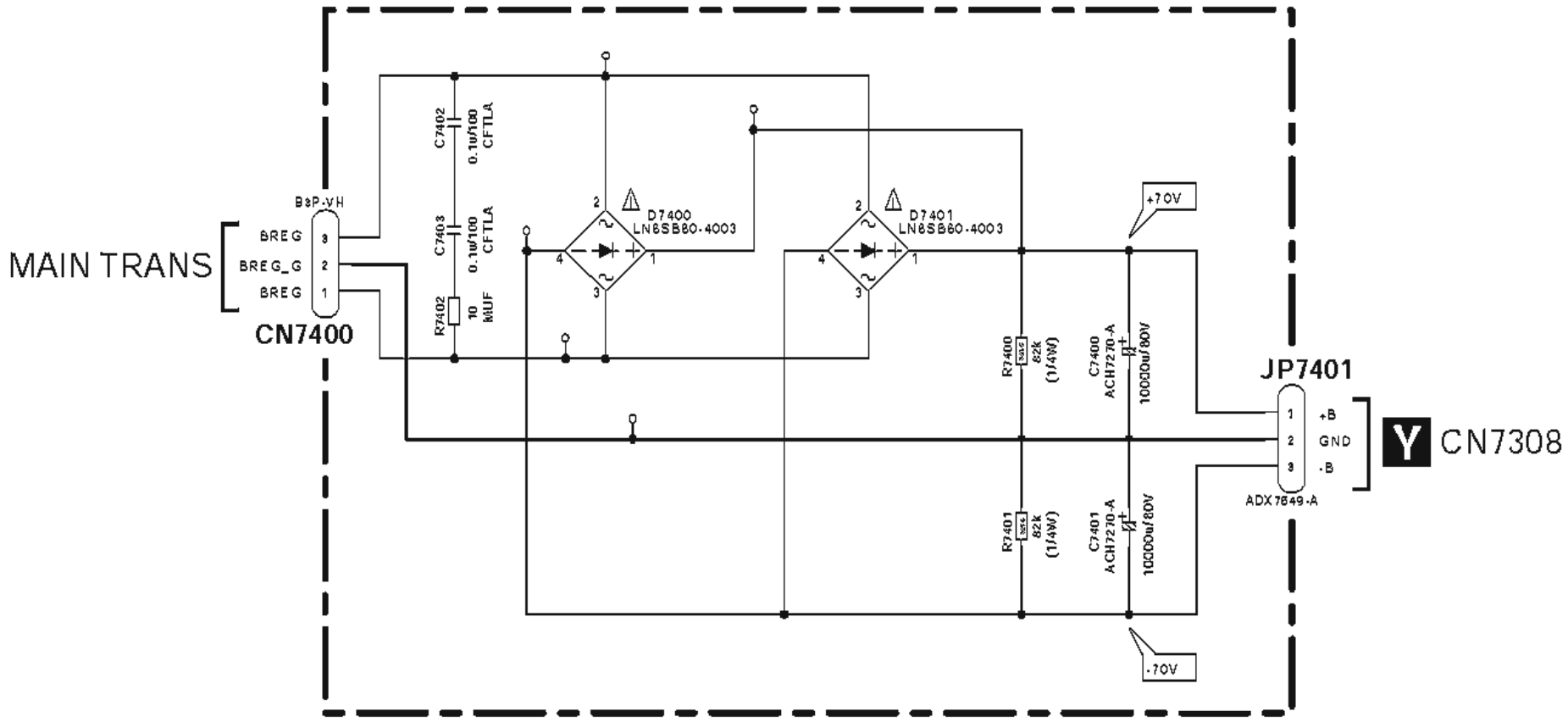
PROTECTION DETECT

	Normal	Detect
BERR	Hi	Low
BTEMP	Low	Hi

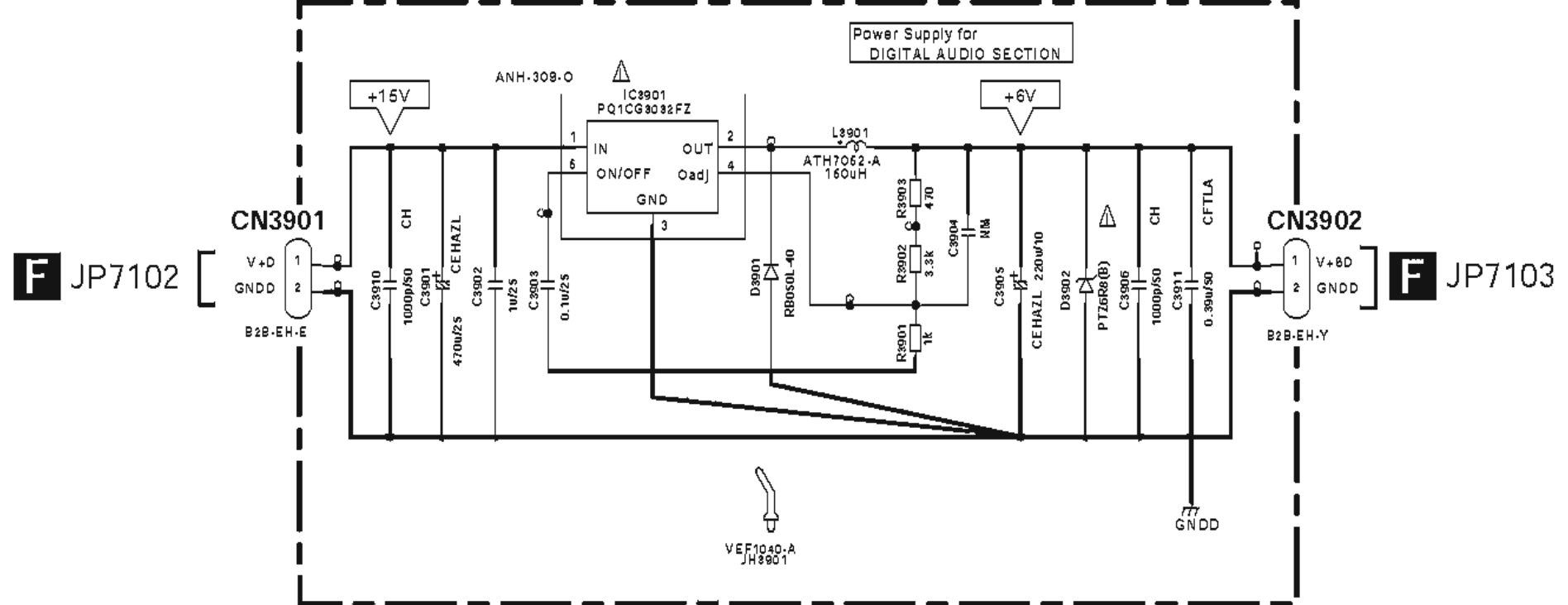


10.30 B DIODE, DCDC, and HDMI RECT ASSYS

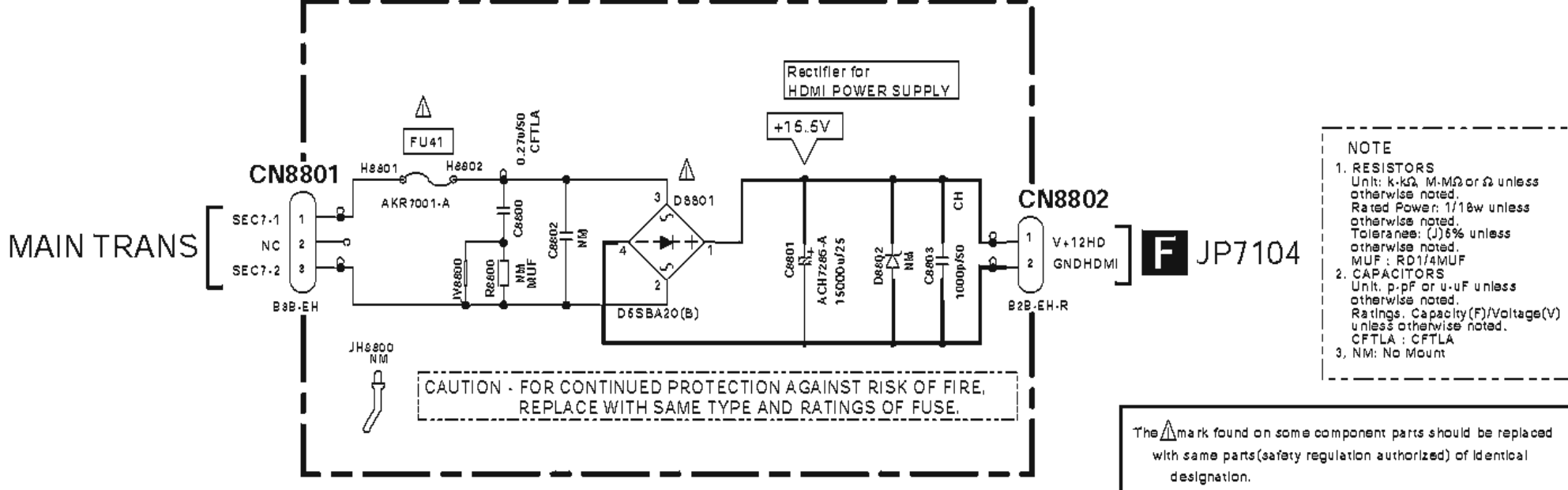
X B DIODE ASSY (AWX9171)



Z DCDC ASSY (AWX9138)



AA HDMI RECT ASSY (AWX9156)



NOTE
 1. RESISTORS
 Unit: k- Ω , M- Ω or Ω unless otherwise noted.
 Rated Power: 1/16w unless otherwise noted.
 Tolerance: (J)6% unless otherwise noted.
 MUF: RD1/4MUF
 2. CAPACITORS
 Unit: p-pF or u-uF unless otherwise noted.
 Ratings: Capacity(F)/Voltage(V) unless otherwise noted.
 CFTLA: CFTLA
 3. NM: No Mount

CAUTION - FOR CONTINUED PROTECTION AGAINST RISK OF FIRE, REPLACE WITH SAME TYPE AND RATINGS OF FUSE.

The Δ mark found on some component parts should be replaced with same parts (safety regulation authorized) of identical designation.


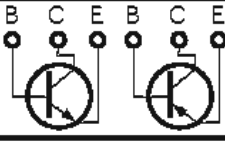
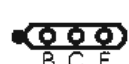
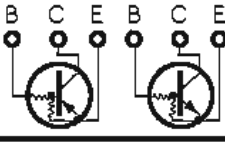

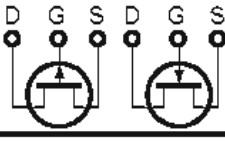

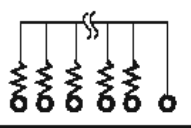

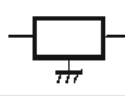
X Z AA

X Z AA

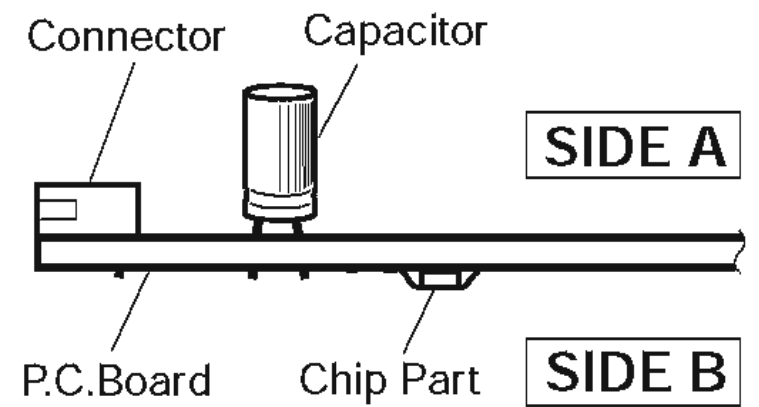
11. PCB CONNECTION DIAGRAM

NOTE FOR PCB DIAGRAMS :

1. Part numbers in PCB diagrams match those in the schematic diagrams.
2. A comparison between the main parts of PCB and schematic diagrams is shown below.

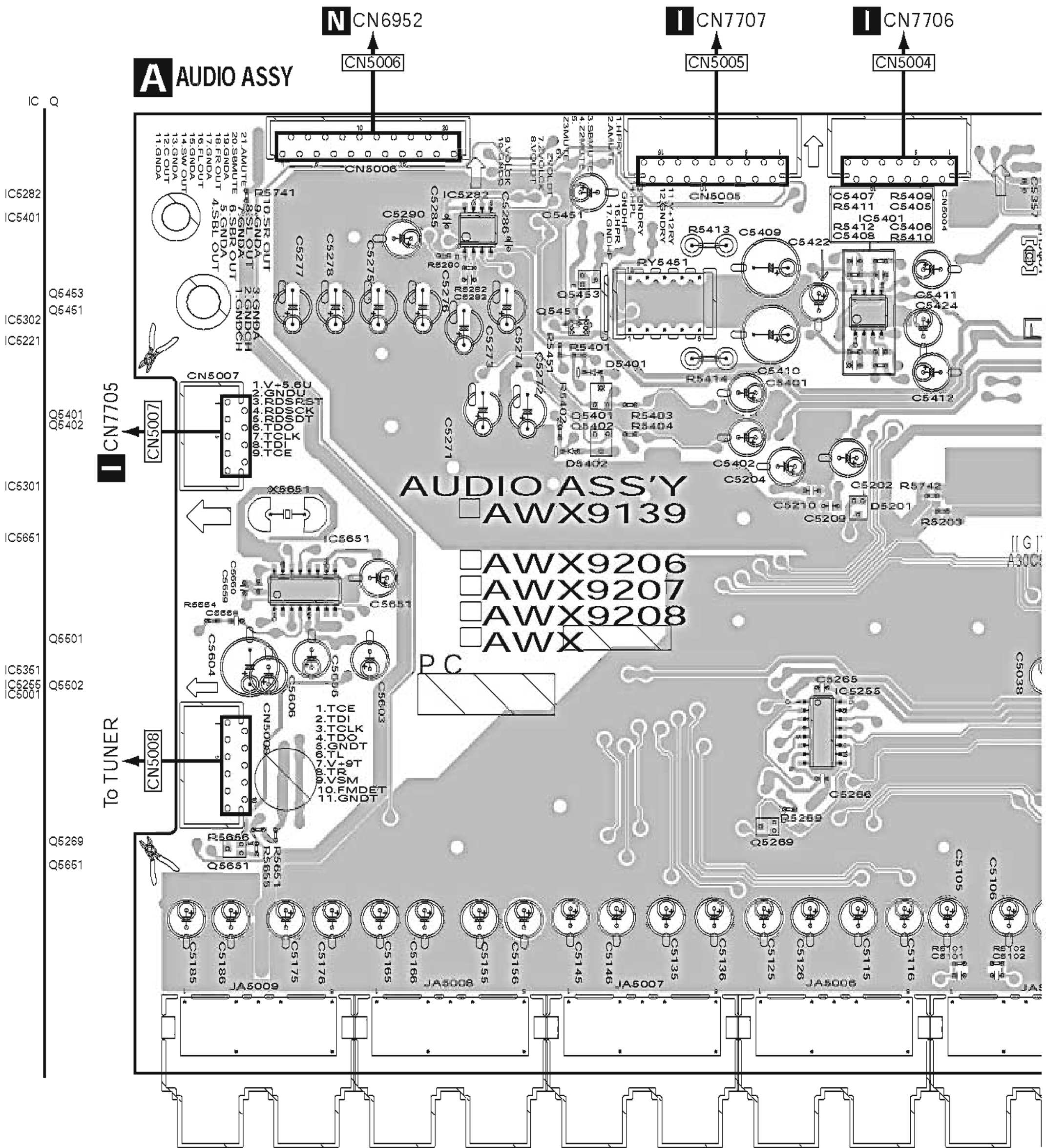
Symbol In PCB Diagrams	Symbol In Schematic Diagrams	Part Name
		Transistor
		Transistor with resistor
		Field effect transistor
		Resistor array
		3-terminal regulator

3. The parts mounted on this PCB include all necessary parts for several destinations.
For further information for respective destinations, be sure to check with the schematic diagram.
4. View point of PCB diagrams.



11.1 AUDIO ASSY

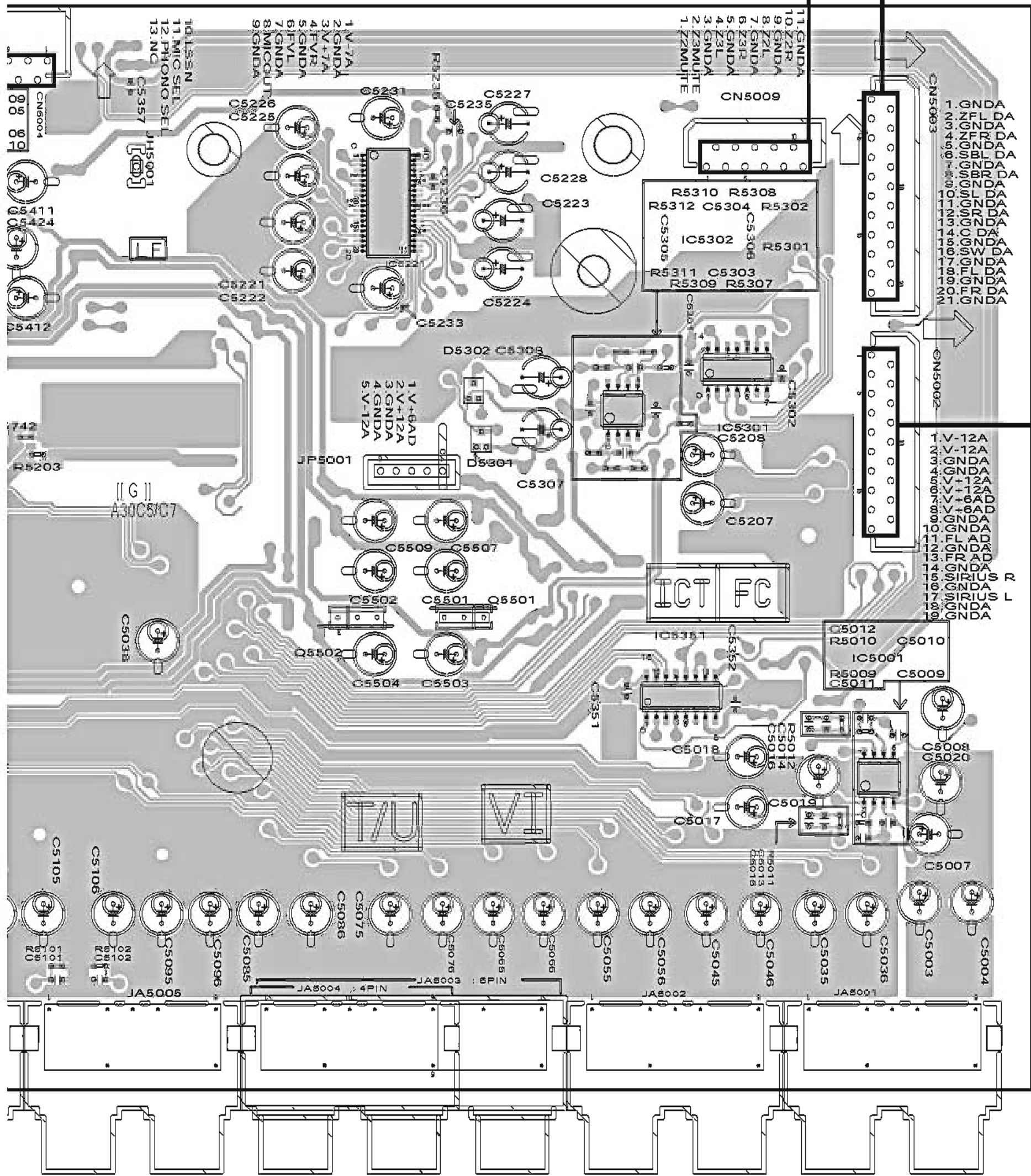
SIDE A



A

7706

04



S CN5401 F CN7041

CN5009 CN5003

F CN7042

CN5002

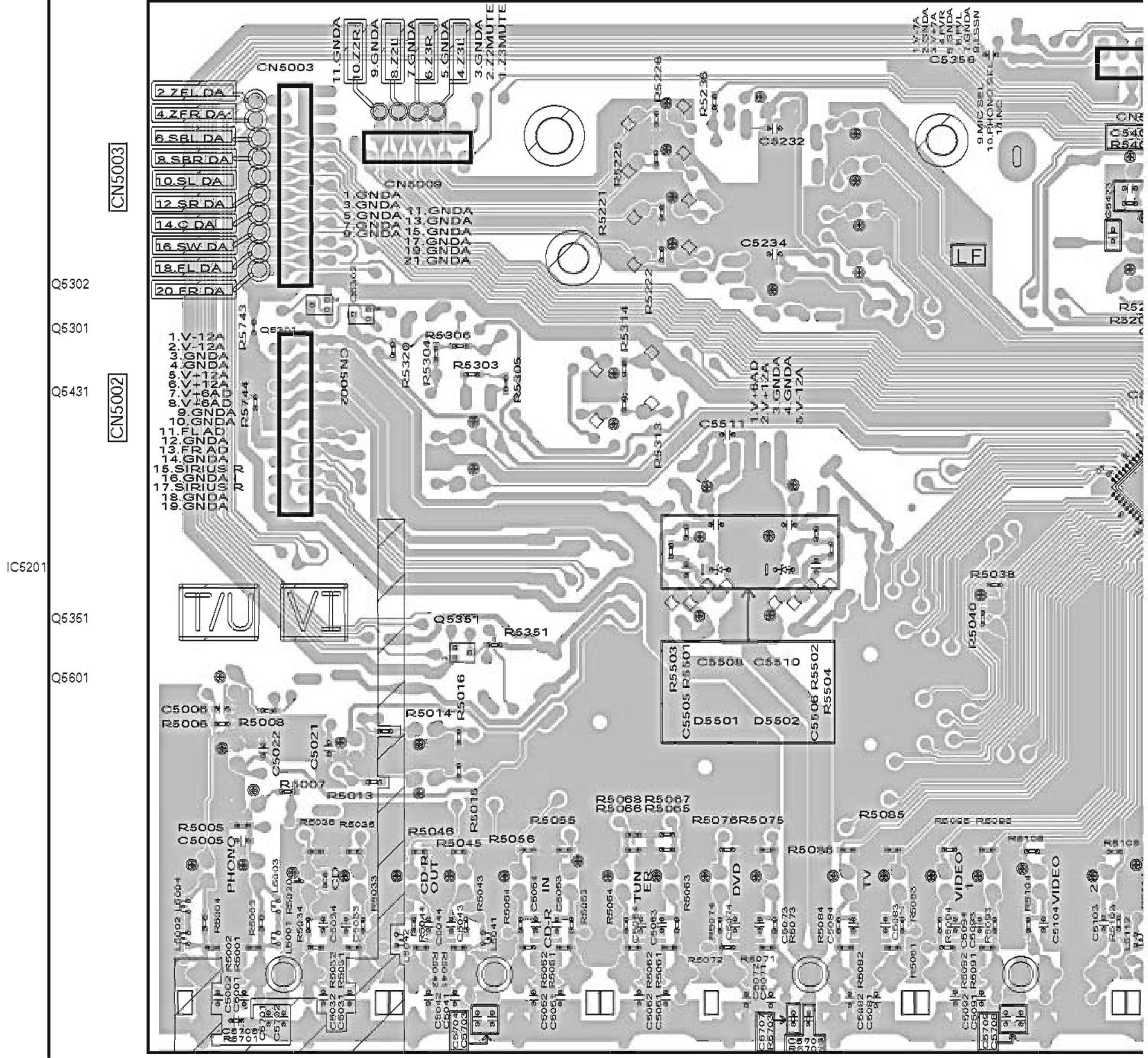
(ANP7650-C)

A AUDIO ASSY

CN5009

CN

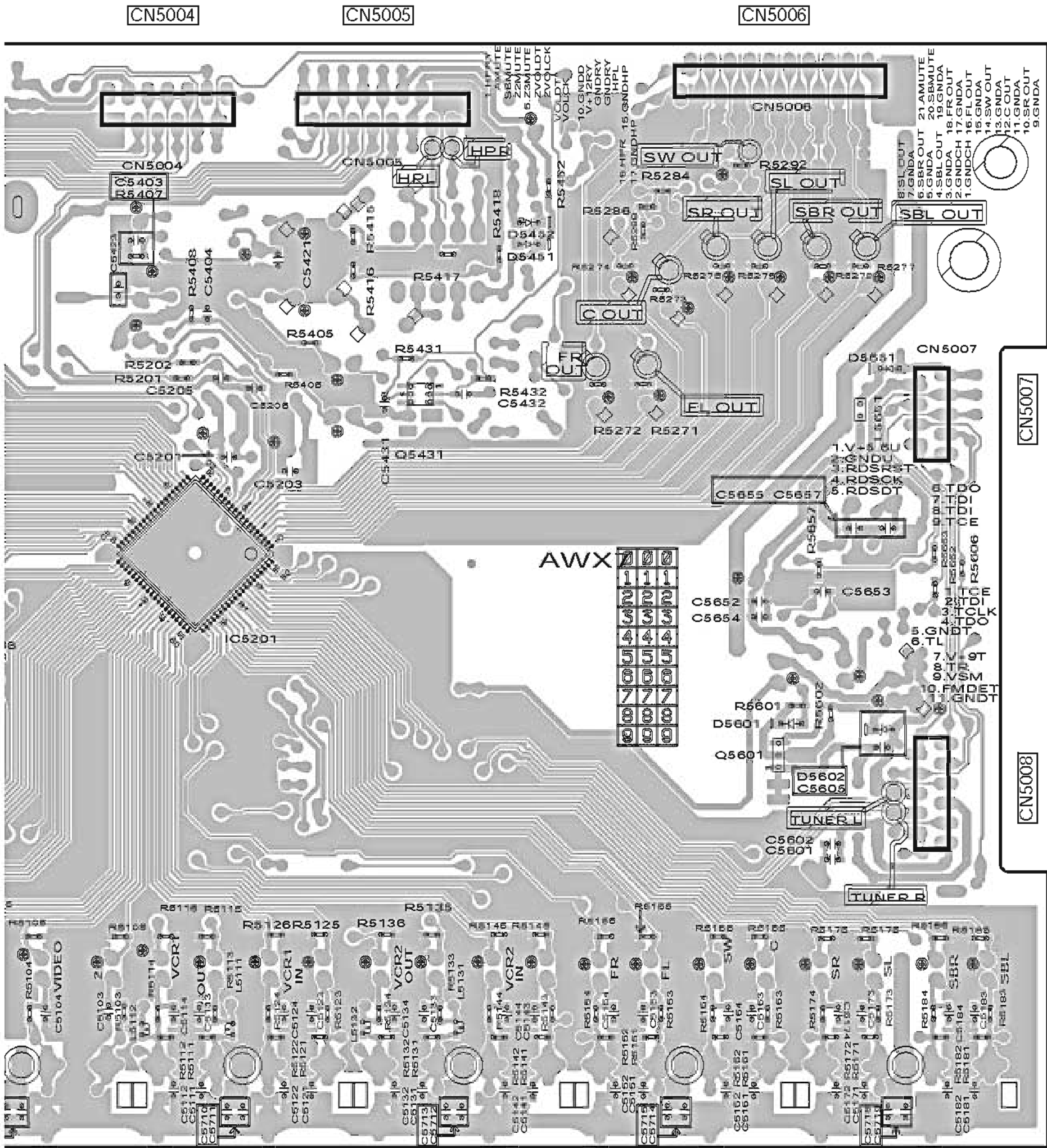
IC Q



IC5201

Q5351

Q5601

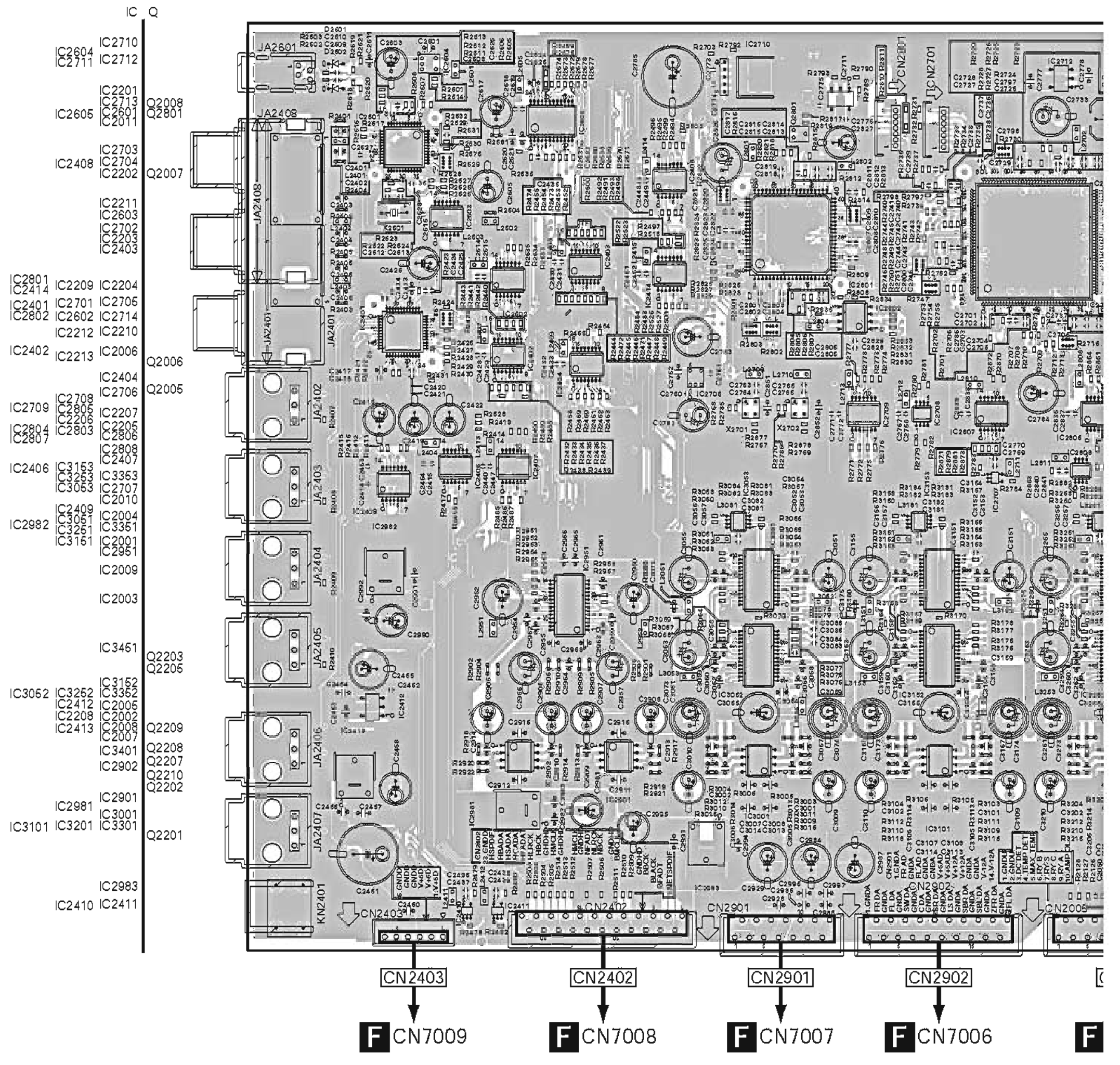


(ANP7650-C)

11.2 D-MOTHER ASSY

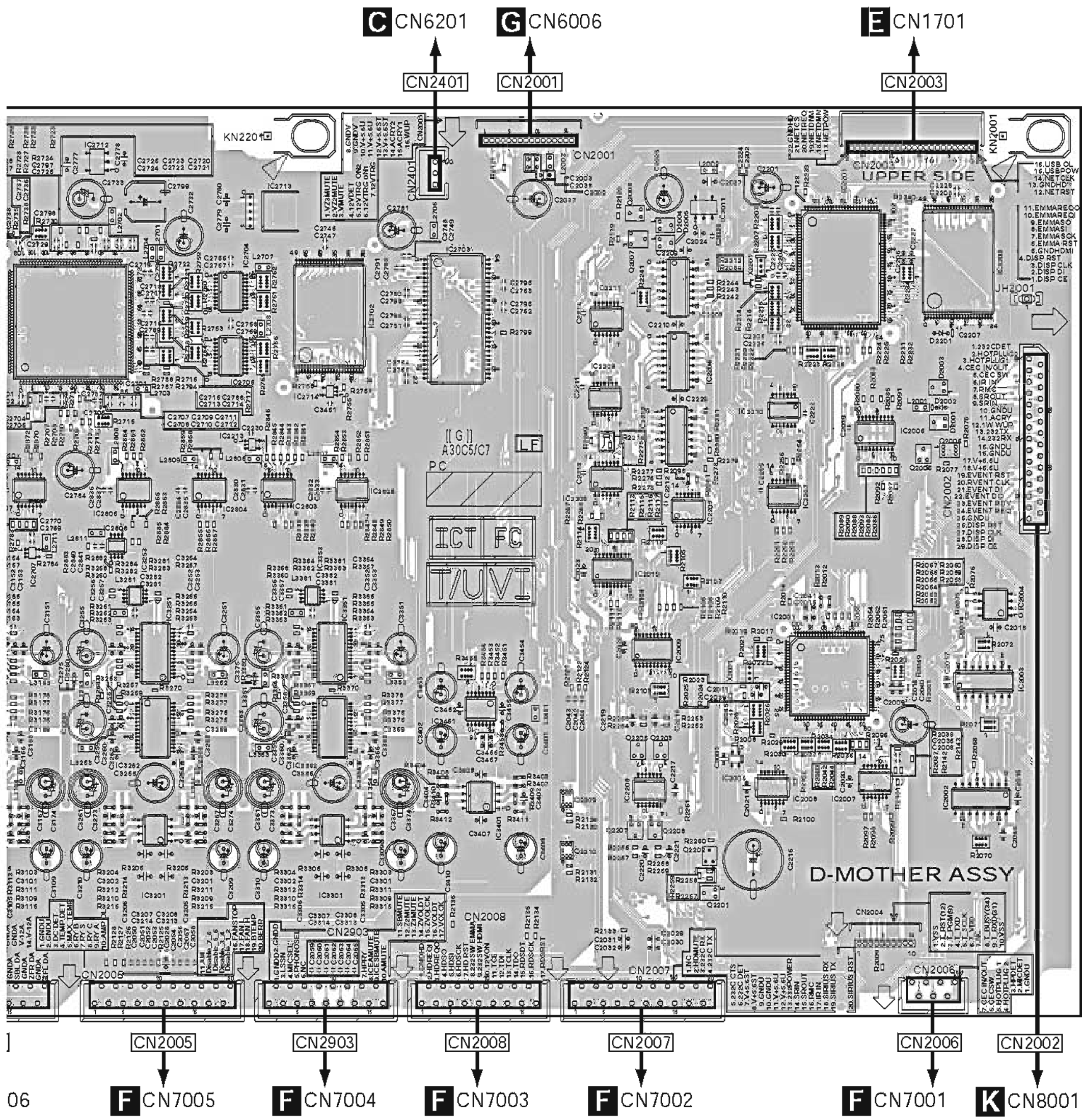
SIDE A

B D-MOTHER ASSY



IC	Q
IC2604	IC2710
IC2711	IC2712
IC2201	Q2008
IC2713	Q2801
IC2605	IC2011
IC2703	Q2007
IC2704	IC2202
IC2202	IC2211
IC2203	IC2603
IC2403	IC2702
IC2209	IC2204
IC2210	IC2705
IC2206	IC2714
IC2207	IC2210
IC2208	Q2006
IC2209	IC2404
IC2210	Q2005
IC2211	IC2708
IC2212	IC2805
IC2213	IC2207
IC2214	IC2208
IC2215	IC2806
IC2216	IC2808
IC2217	IC2407
IC2218	IC3353
IC2219	IC2707
IC2220	IC2010
IC2221	IC2004
IC2222	IC3351
IC2223	IC2001
IC2224	IC2951
IC2225	IC2009
IC2226	IC2003
IC2227	IC3451
IC2228	Q2203
IC2229	Q2206
IC2230	IC3152
IC2231	IC3352
IC2232	IC2412
IC2233	IC2006
IC2234	IC2002
IC2235	Q2209
IC2236	IC2008
IC2237	Q2207
IC2238	Q2210
IC2239	Q2202
IC2240	IC2901
IC2241	IC3001
IC2242	IC3301
IC2243	Q2201
IC2244	IC2983
IC2245	IC2411

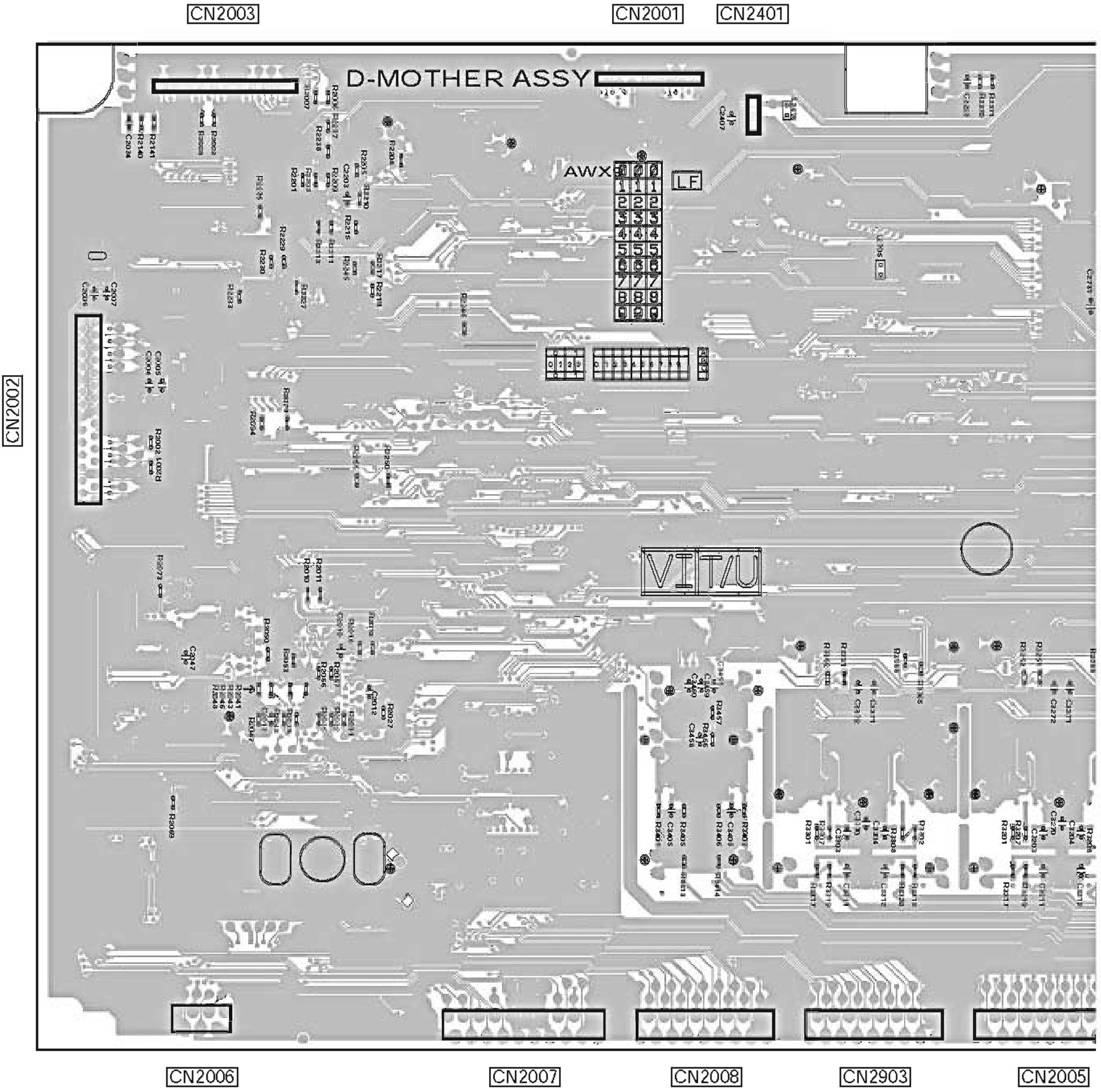
B

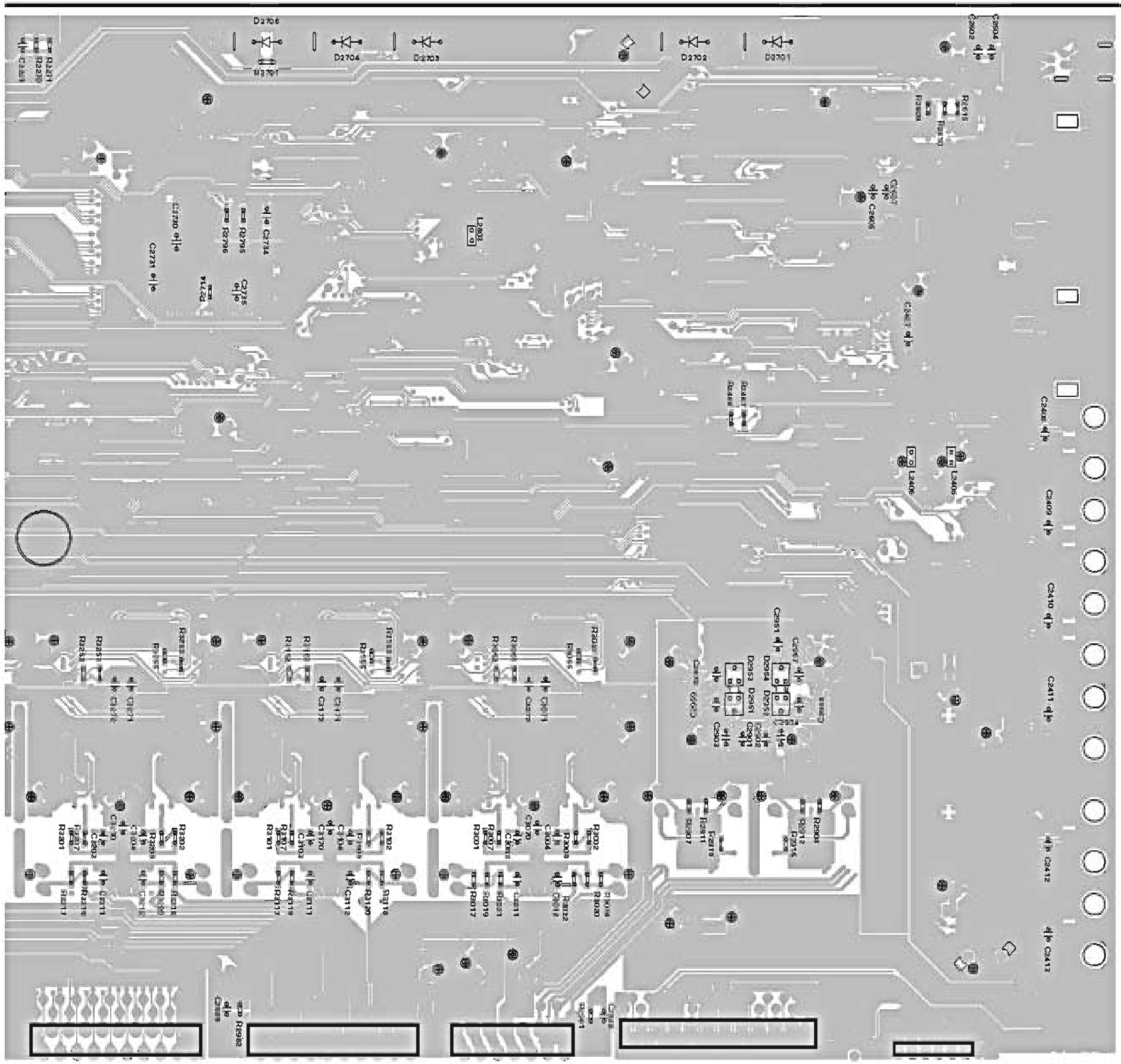


- 1
- 06
- F CN7005
- F CN7004
- F CN7003
- F CN7002
- F CN7001
- K CN8001

(ANP7649-B)

B D-MOTHER ASSY





CN2005

CN2902

CN2901

CN2402

CN2403

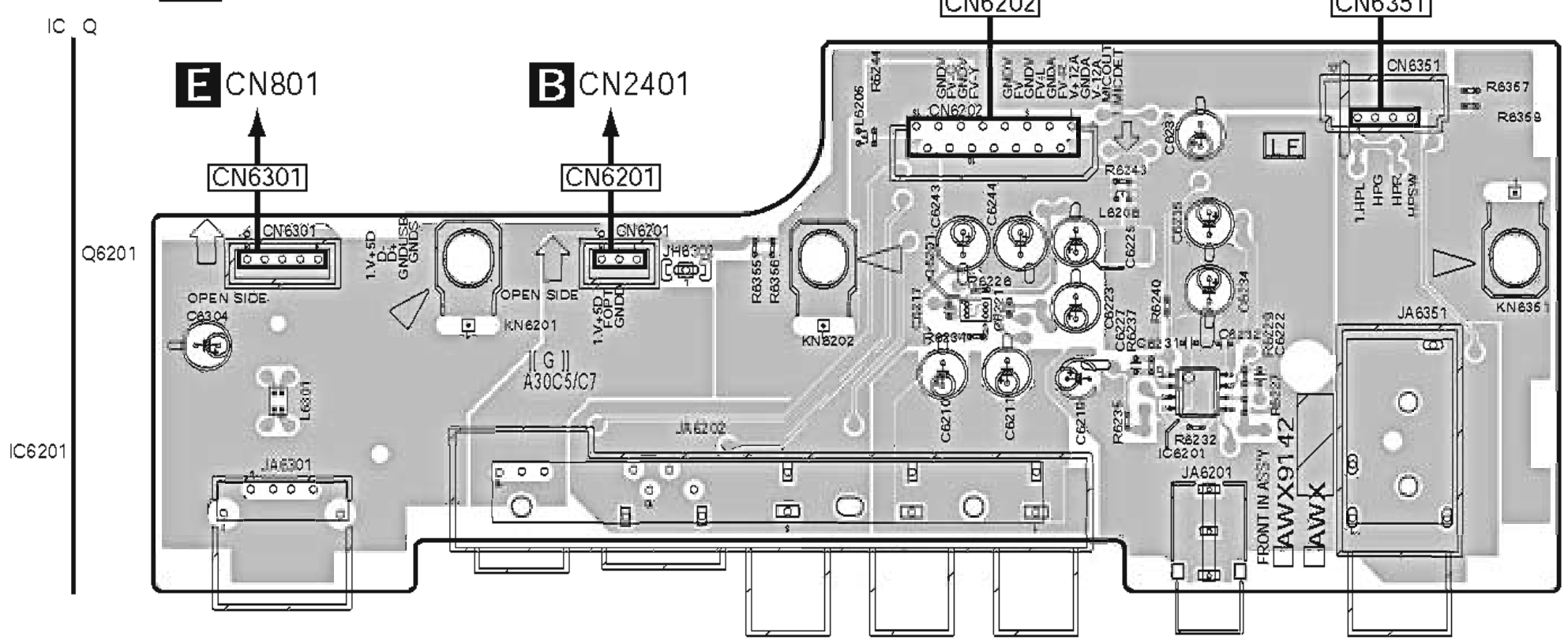
(ANP7649-B)

11.3 FRONT IN ASSY

SIDE A

SIDE A

C FRONT IN ASSY

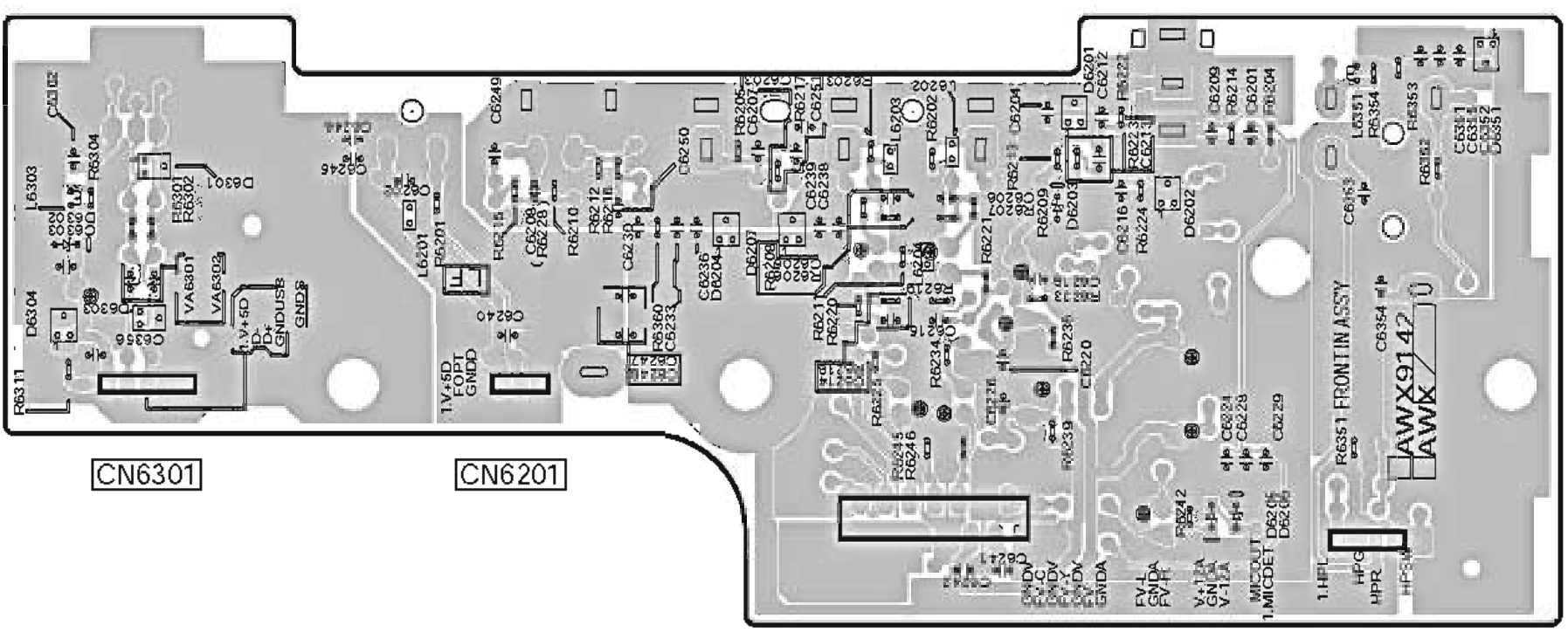


(ANP7651-B)

SIDE B

SIDE B

C FRONT IN ASSY



(ANP7651-B)

C

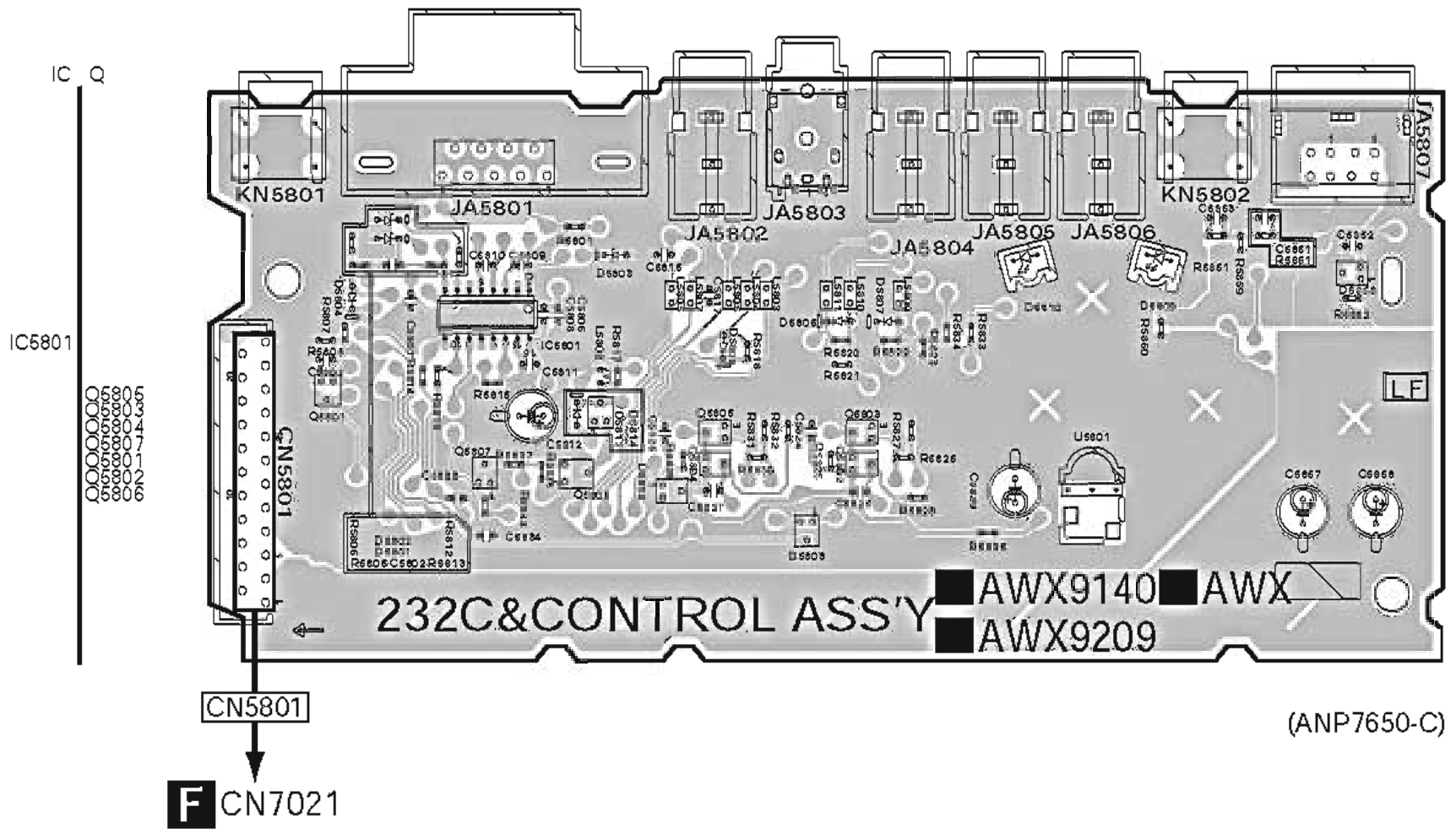
C

11.4 232C & CONTROL ASSY

SIDE A

SIDE A

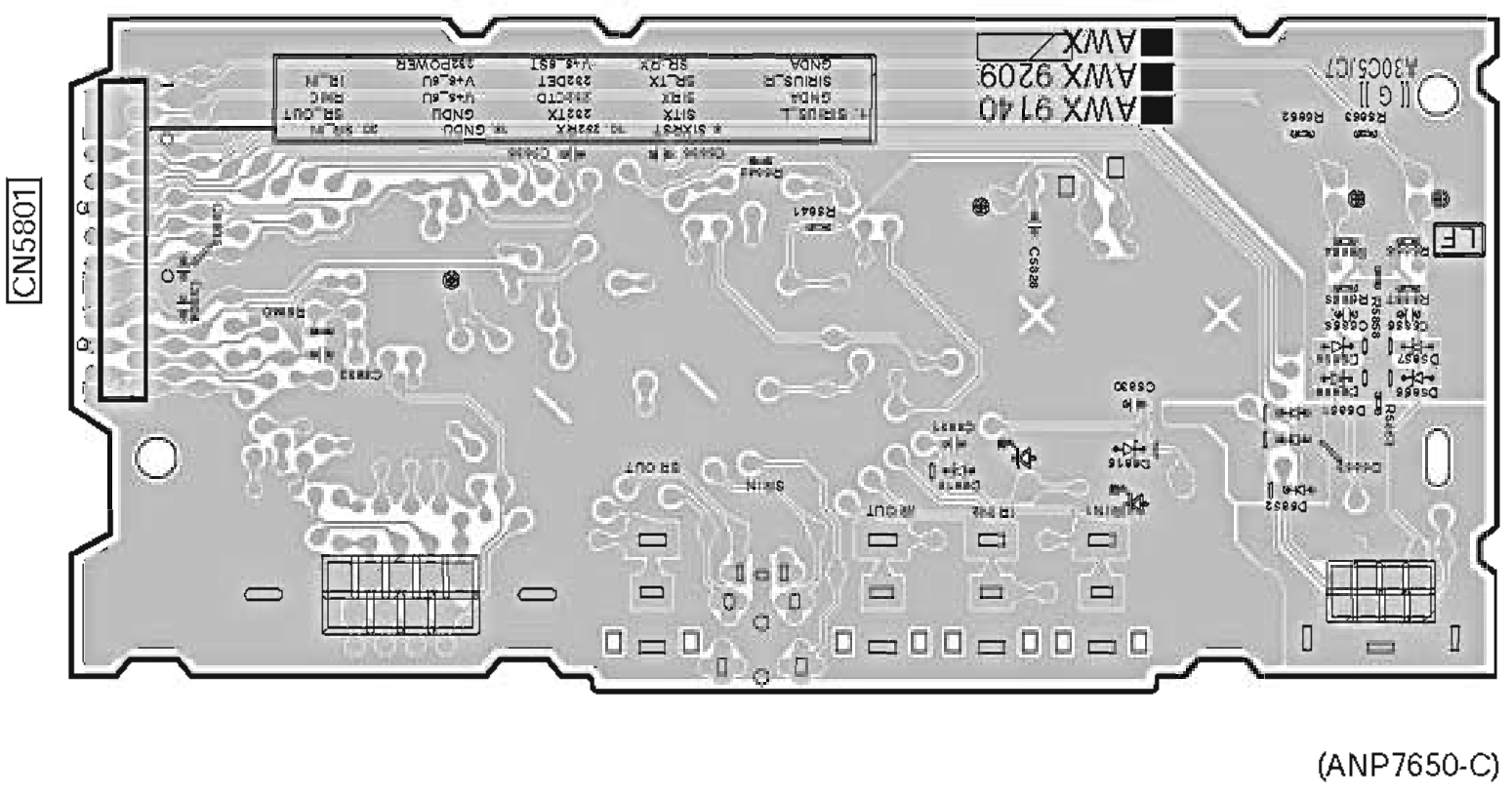
D 232C&CONTROL ASSY



SIDE B

SIDE B

D 232C&CONTROL ASSY

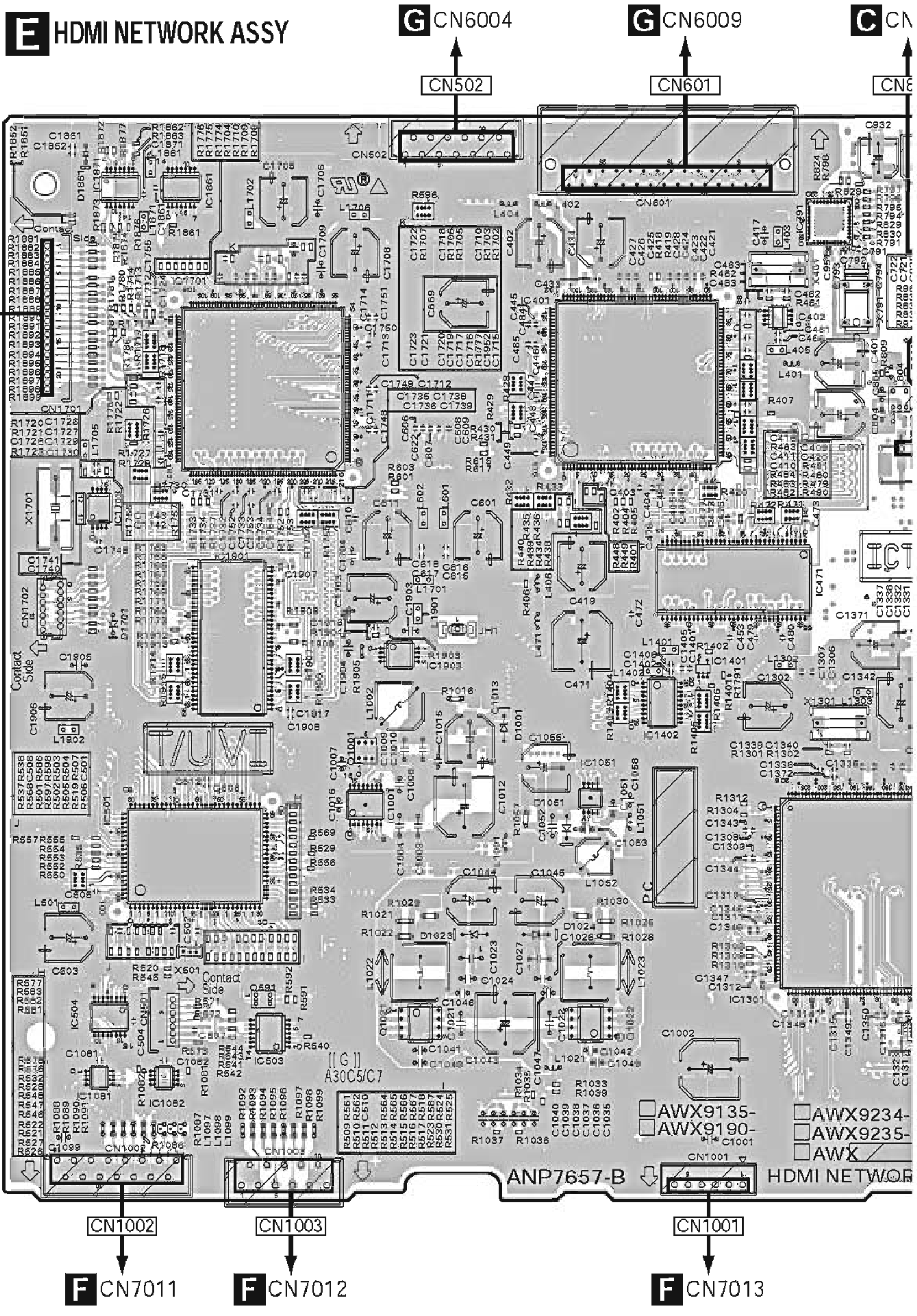


D

D

11.5 HDMI NETWORK ASSY

SIDE A

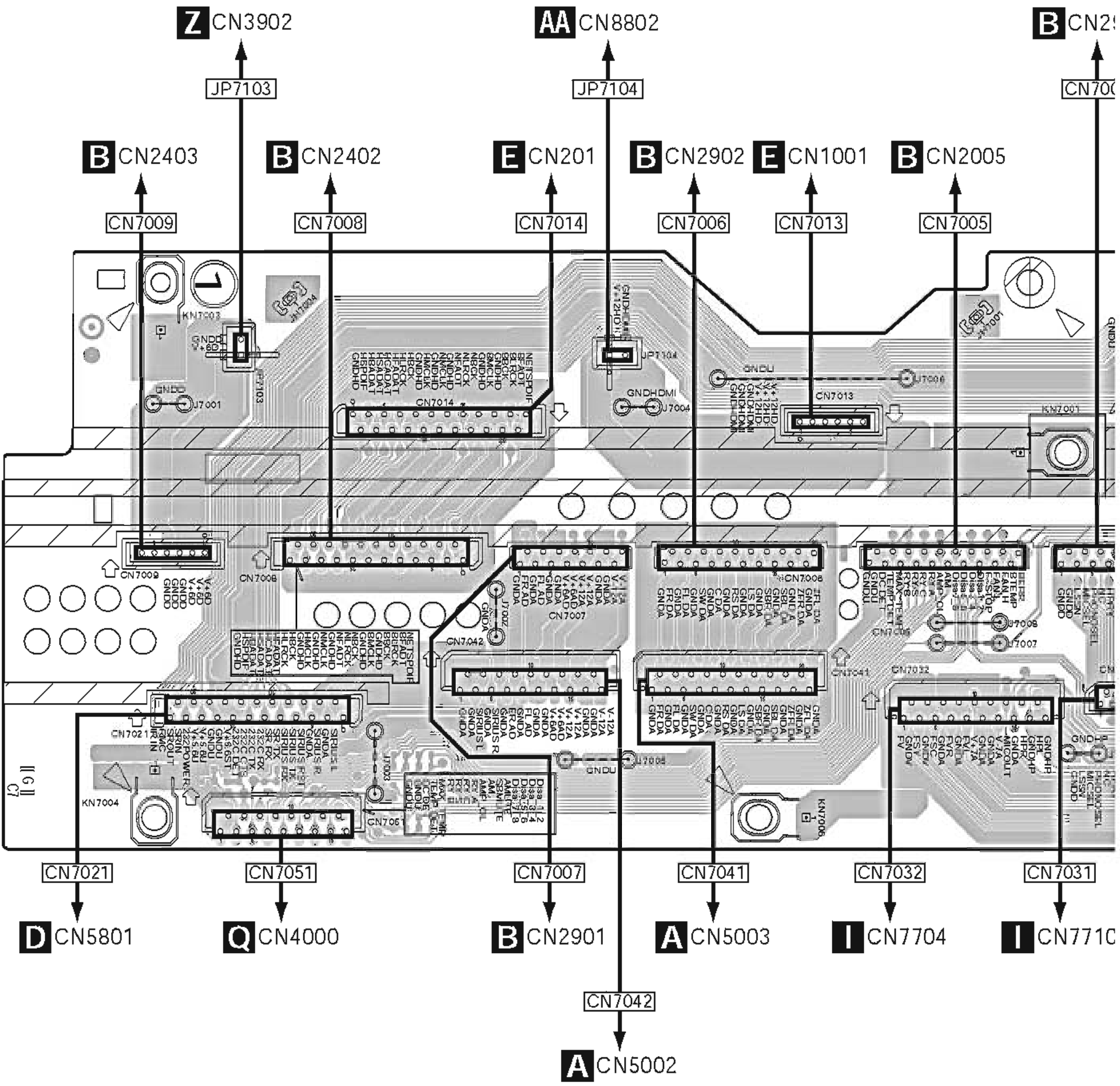


E

11.6 INTERFACE ASSY

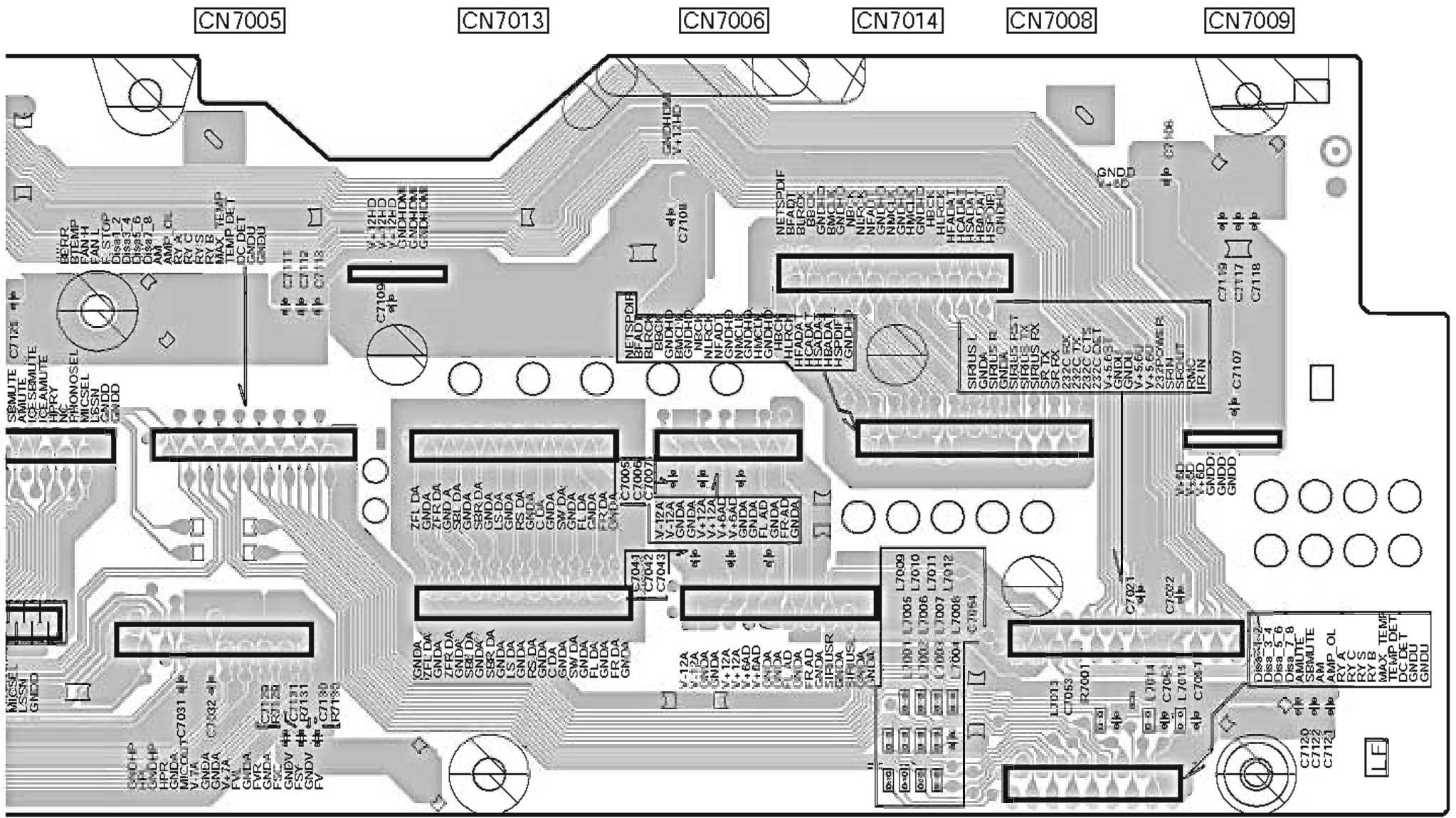
SIDE A

F INTERFACE ASSY



F

CN7004



CN7032

CN7041

CN7007

CN7051

(ANP7653-B)

CN7042

CN7021

11.7 COMPONENT and V-BRIDGE ASSYS

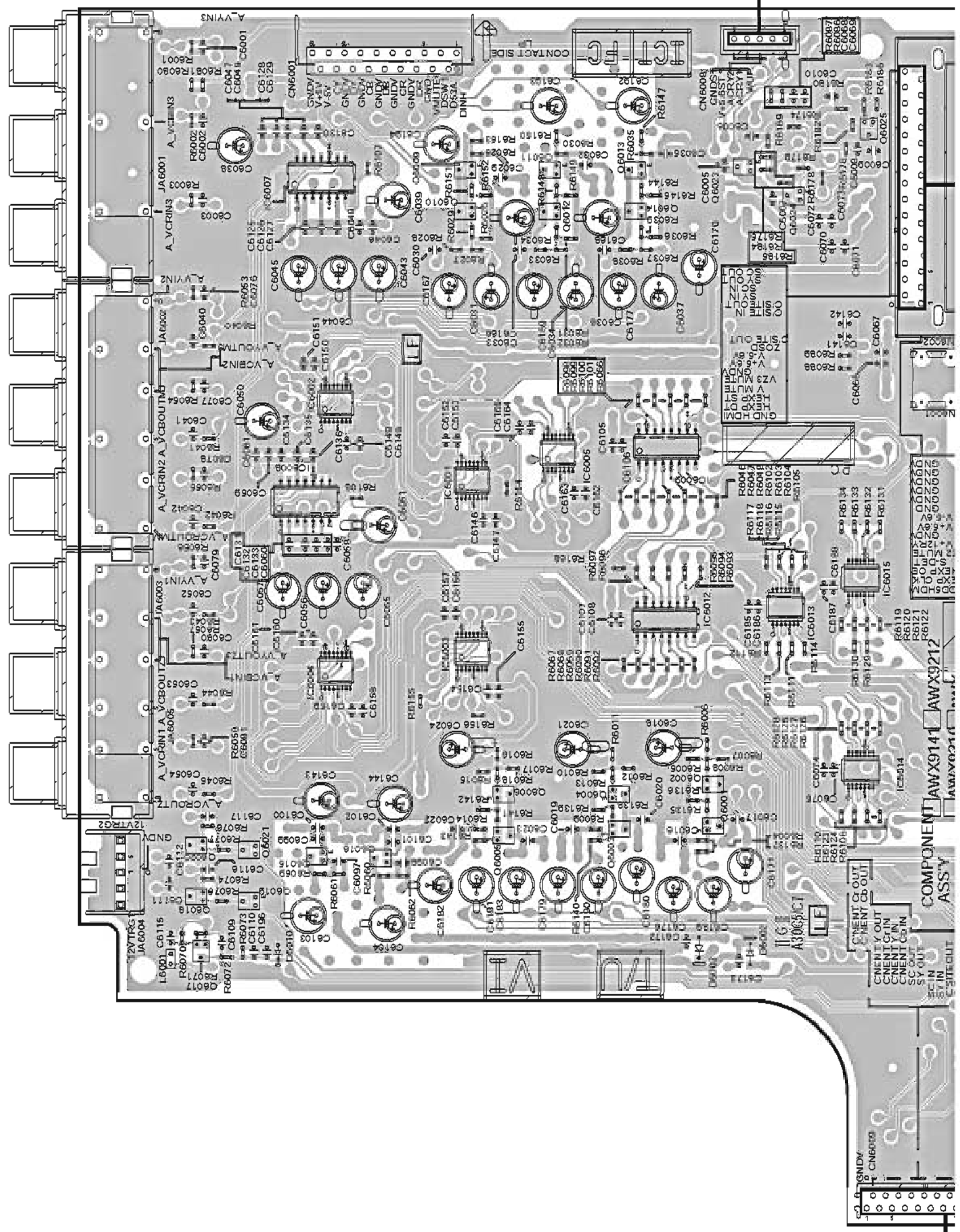
SIDE A

G COMPONENT ASSY

T CN8711

CN6008

- IC Q
- Q6025
- Q6013
- Q6011
- Q6009
- Q6023
- Q6010
- Q6014
- Q6024
- Q6012
- IC6007
- IC6002
- IC6006
- IC6008
- IC6001
- IC6009
- IC6015
- IC6012
- IC6013
- IC6003
- IC6004
- IC6010
- IC6014
- Q6002
- Q6004
- Q6007
- Q6003
- Q6005
- Q6021
- Q6016
- Q6020
- Q6015
- Q6019
- Q6018
- Q6022
- IC6006
- Q6008
- Q6017



E CN

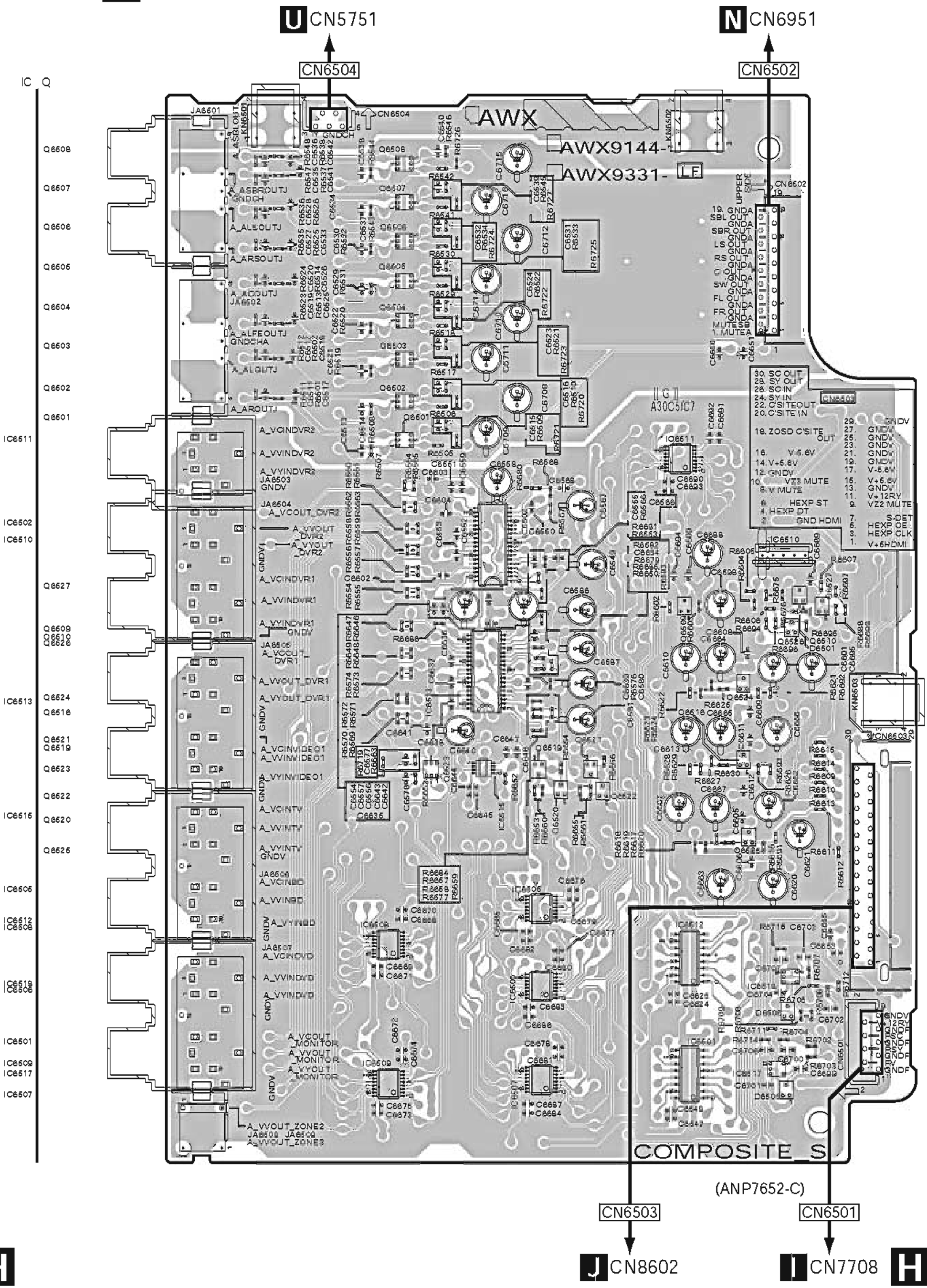
G J

11.8 COMPOSITE S ASSY

SIDE A

H COMPOSITE S ASSY

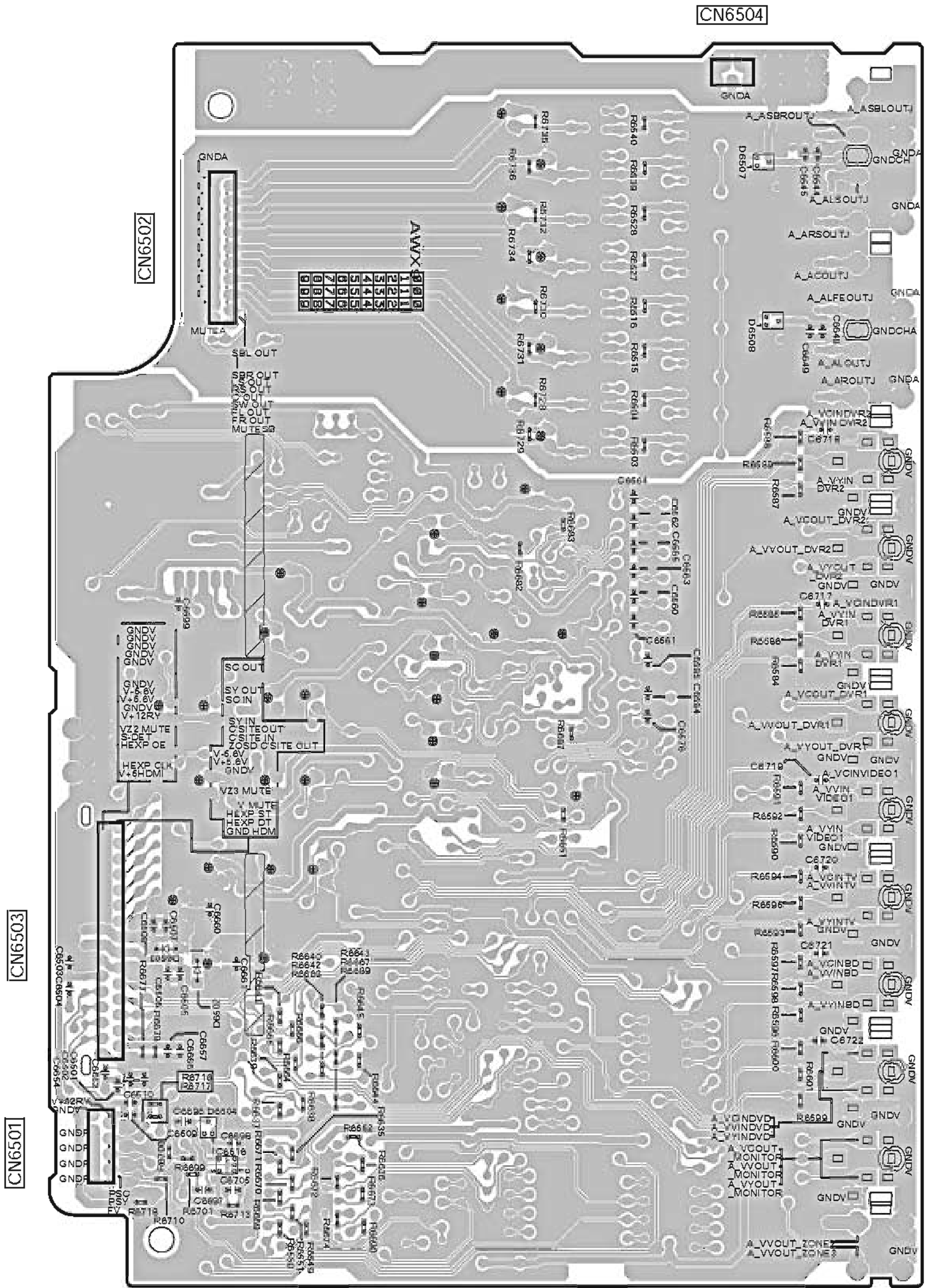
SIDE A



H

H

COMPOSITE S ASSY



(ANP7652-C)

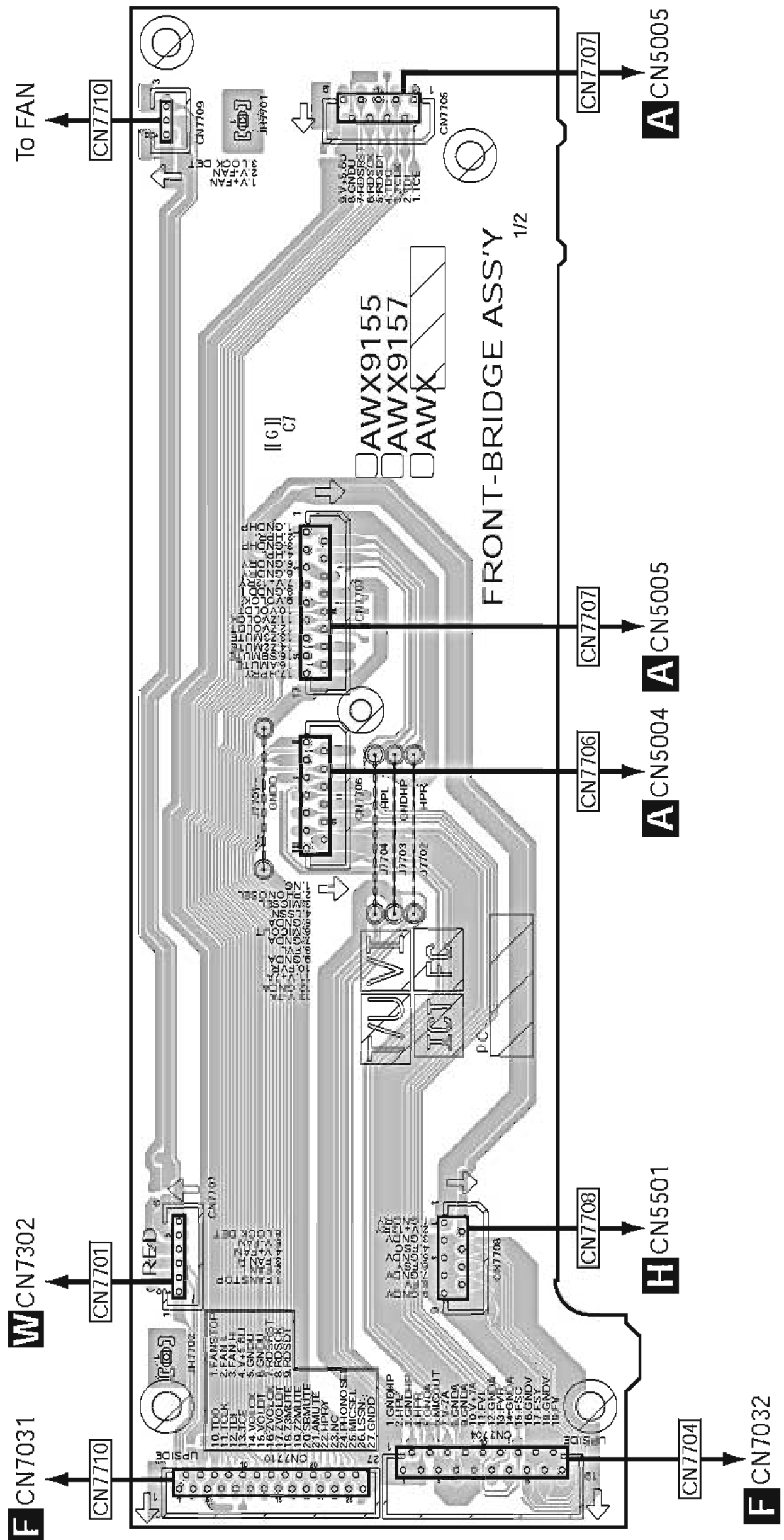


11.9 FRONT BRIDGE ASSY

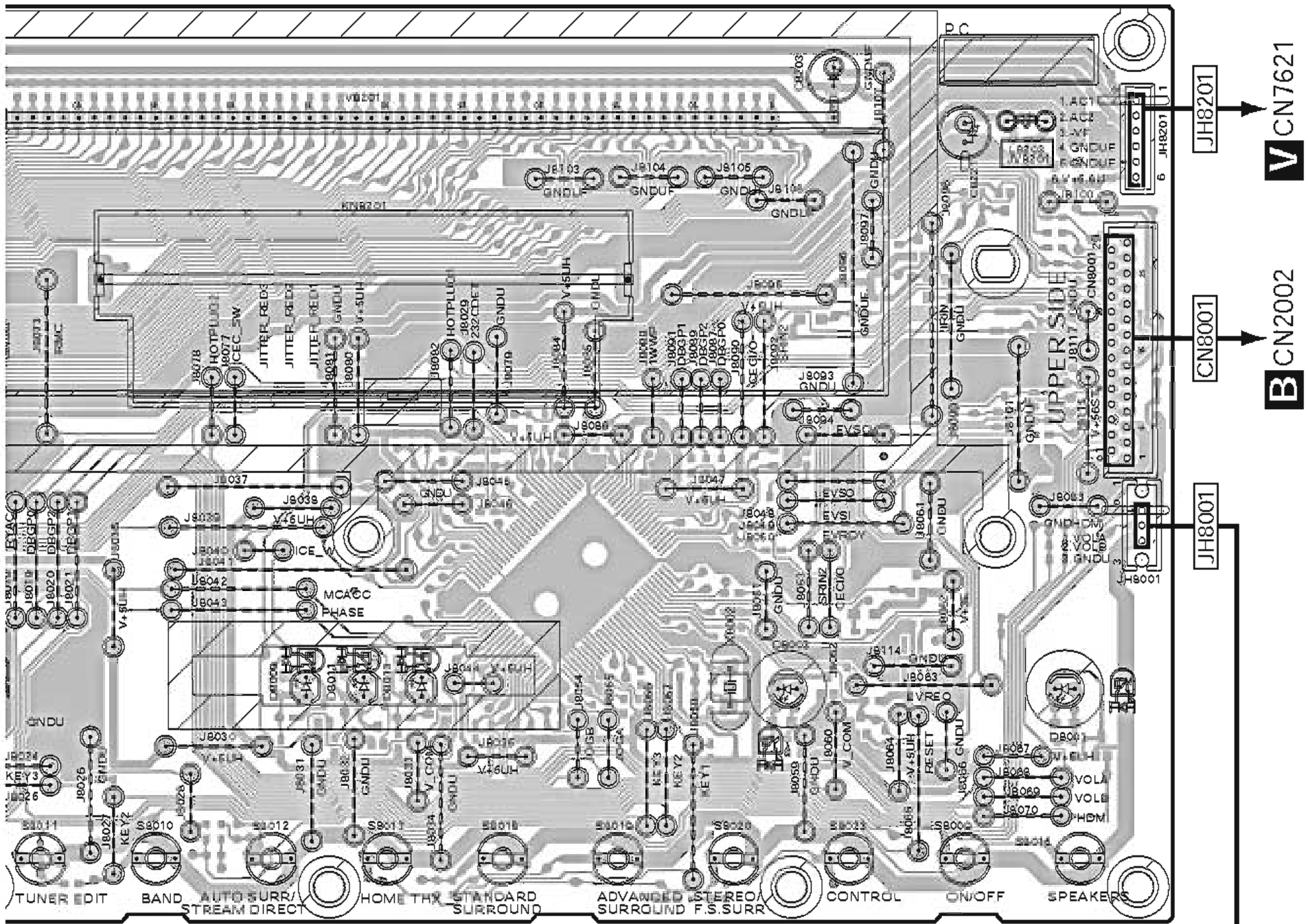
SIDE A

SIDE A

FRONT BRIDGE ASSY

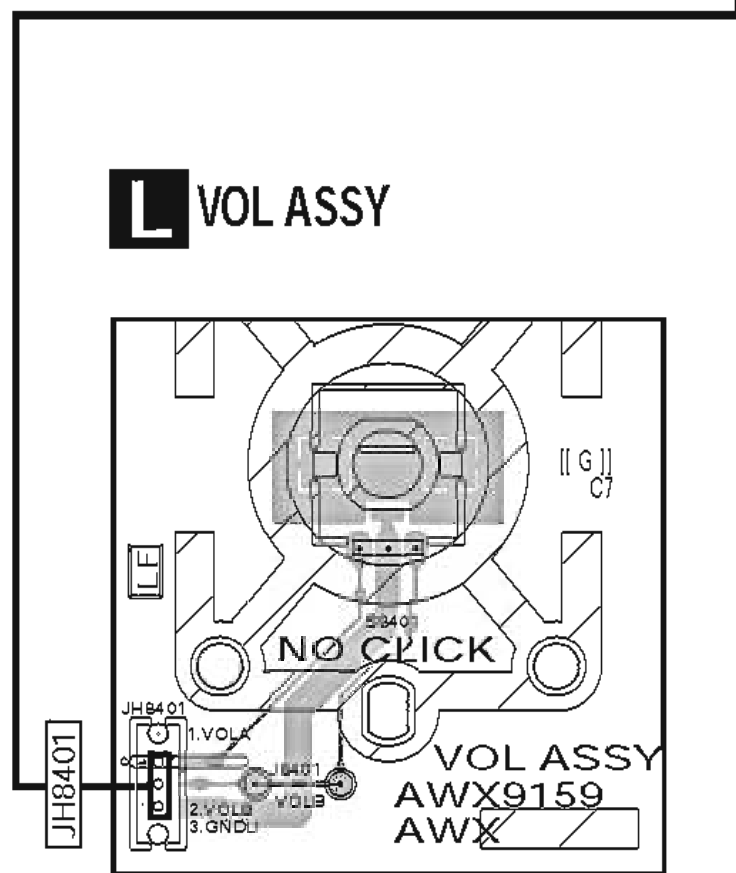


(ANP7654-B)



(ANP7655-B)

L VOL ASSY



(ANP7655-B)

SIDE B

K DISPLAY ASSY

IC Q

Q8009

IC8201 Q8010

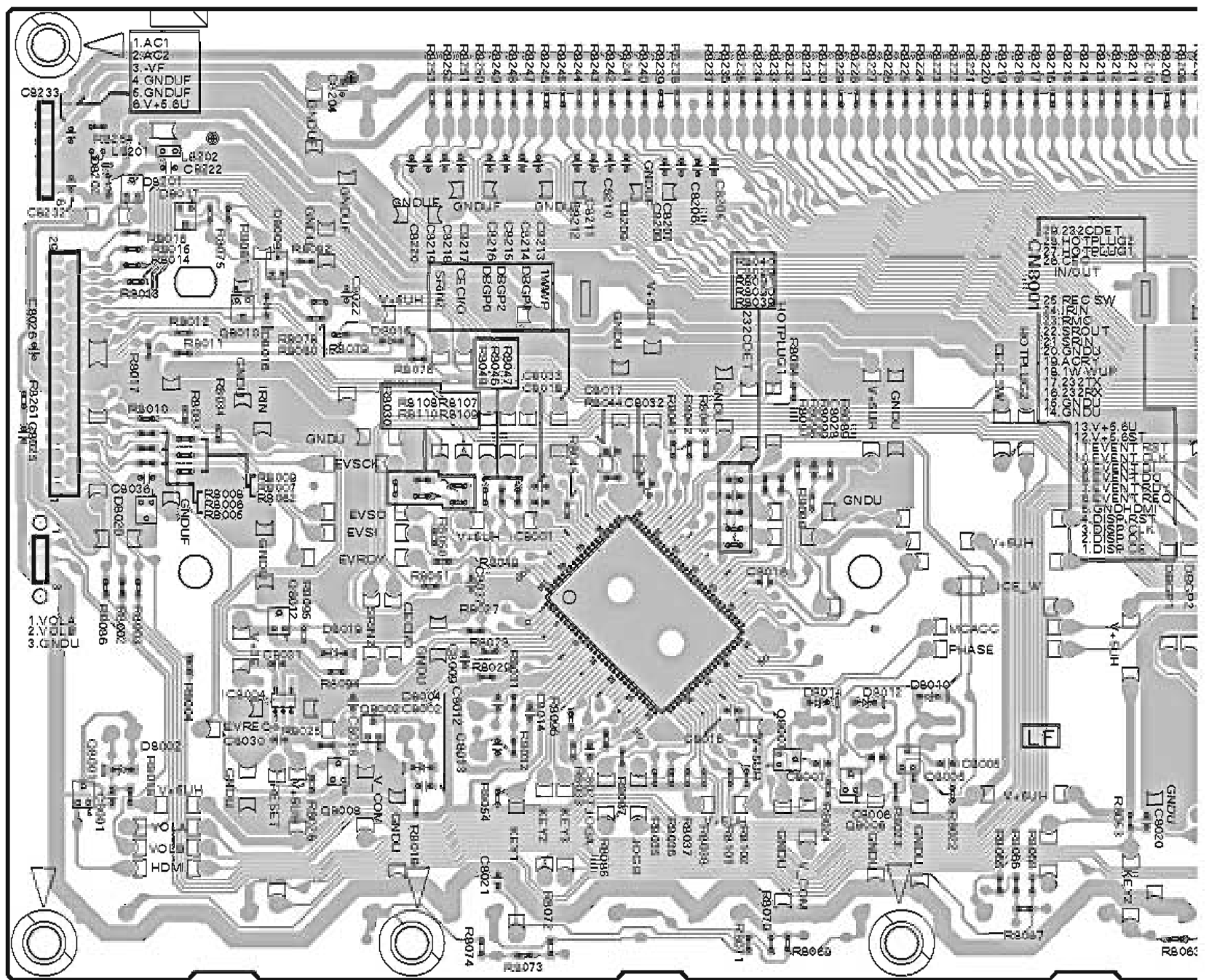
IC8001 Q8012

Q8004

IC8004 Q8002
Q8003
Q8007

IC8003 Q8001
Q8005

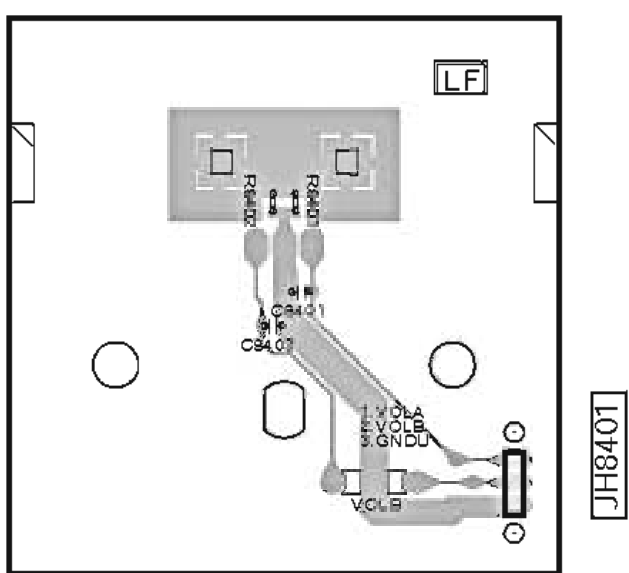
Q8008
Q8006



L VOL ASSY

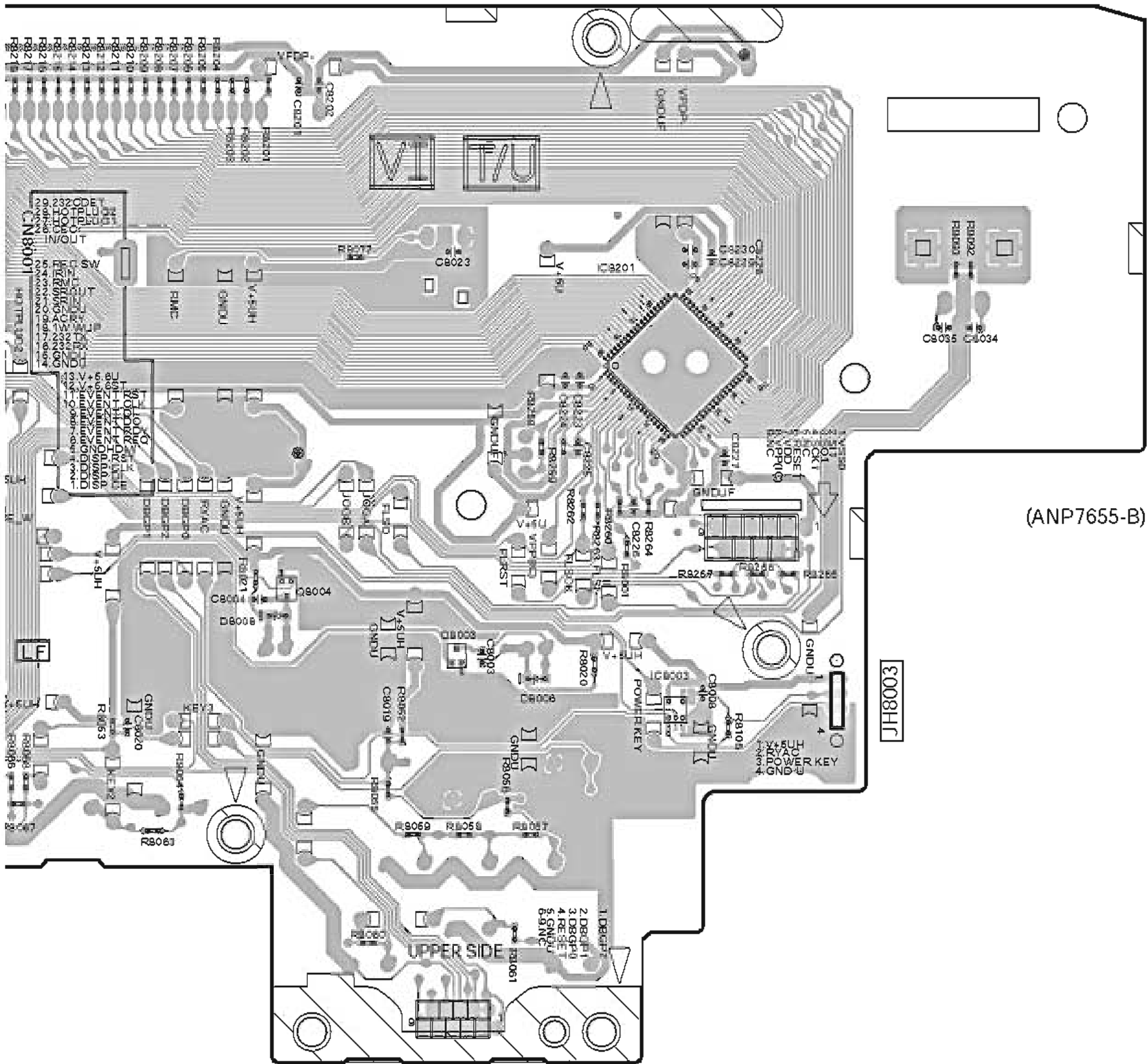
IC Q

Q8501

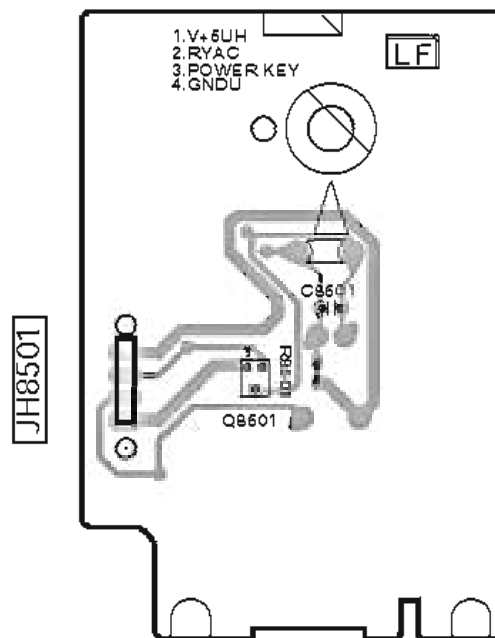


(ANP7655-B)

K M L



M POWER SW ASSY



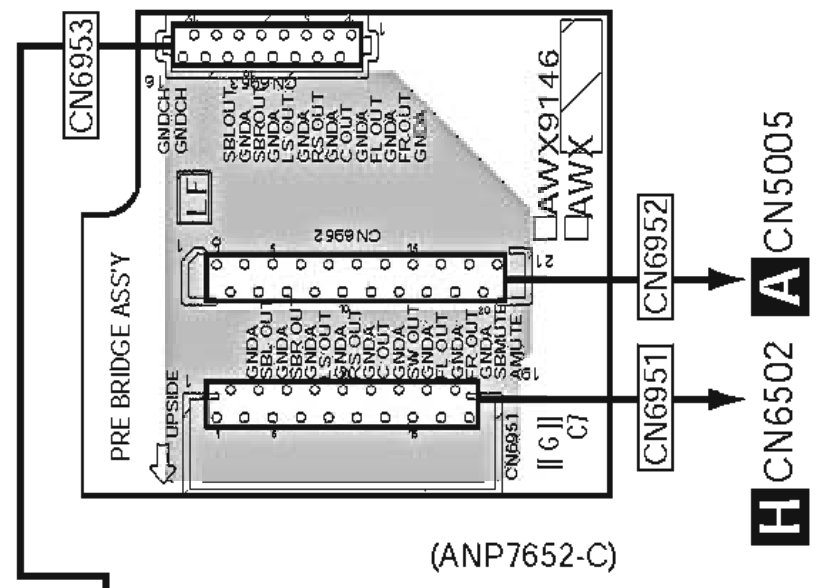
(ANP7655-B)

11.11 PRE BRIDGE, ICE BUFFER and ICE SHIELD ASSYS

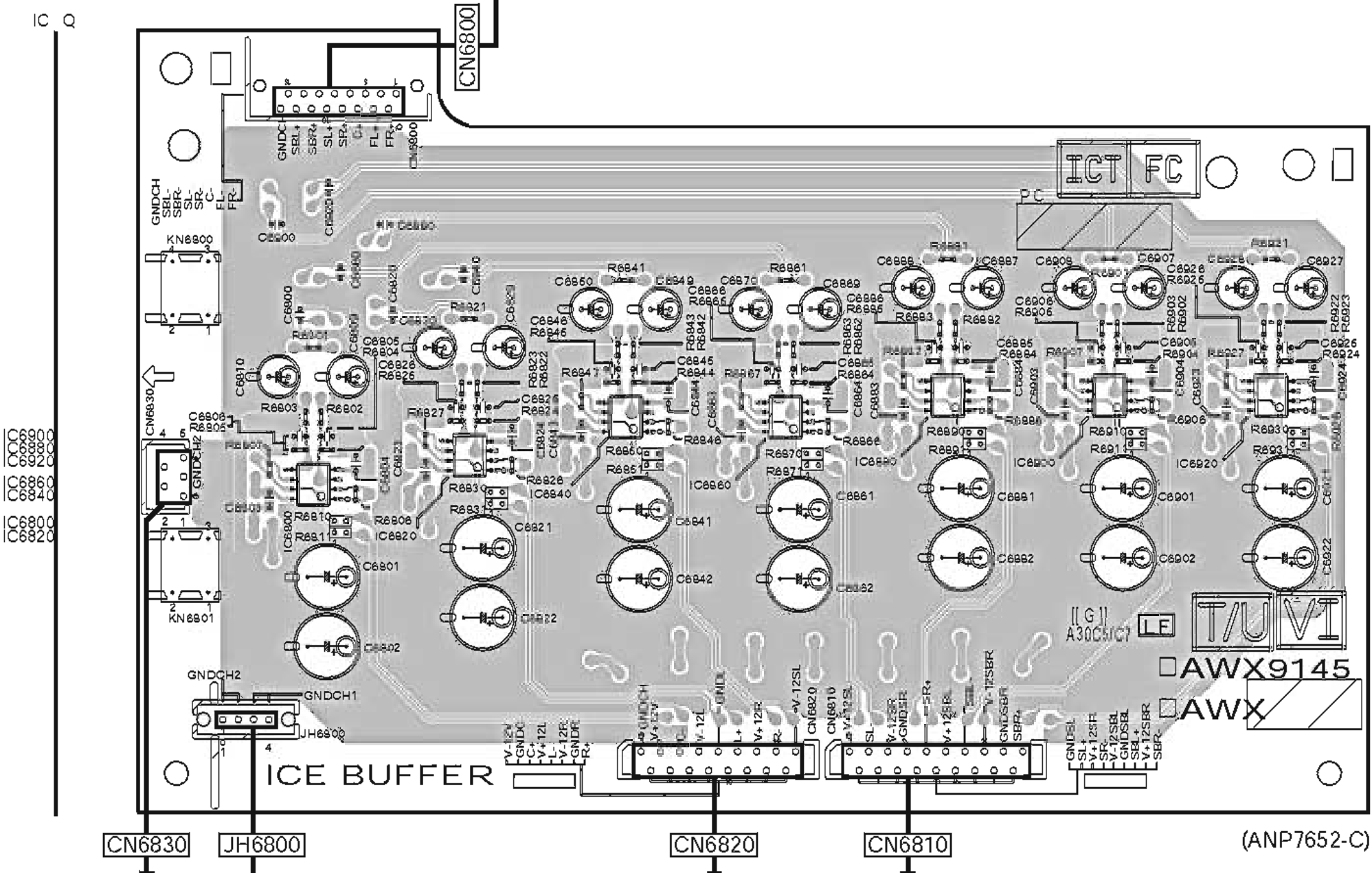
SIDE A

N PRE BRIDGE ASSY

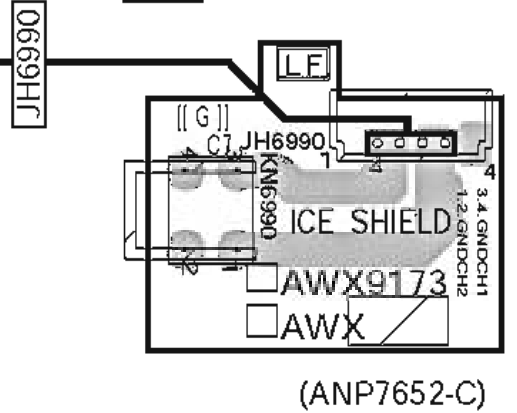
SIDE A



O ICE BUFFER ASSY



R ICE SHIELD ASSY



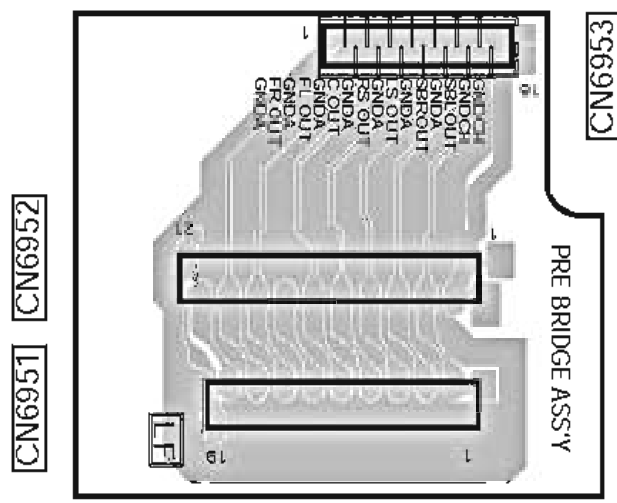
NOR

RON

SIDE B

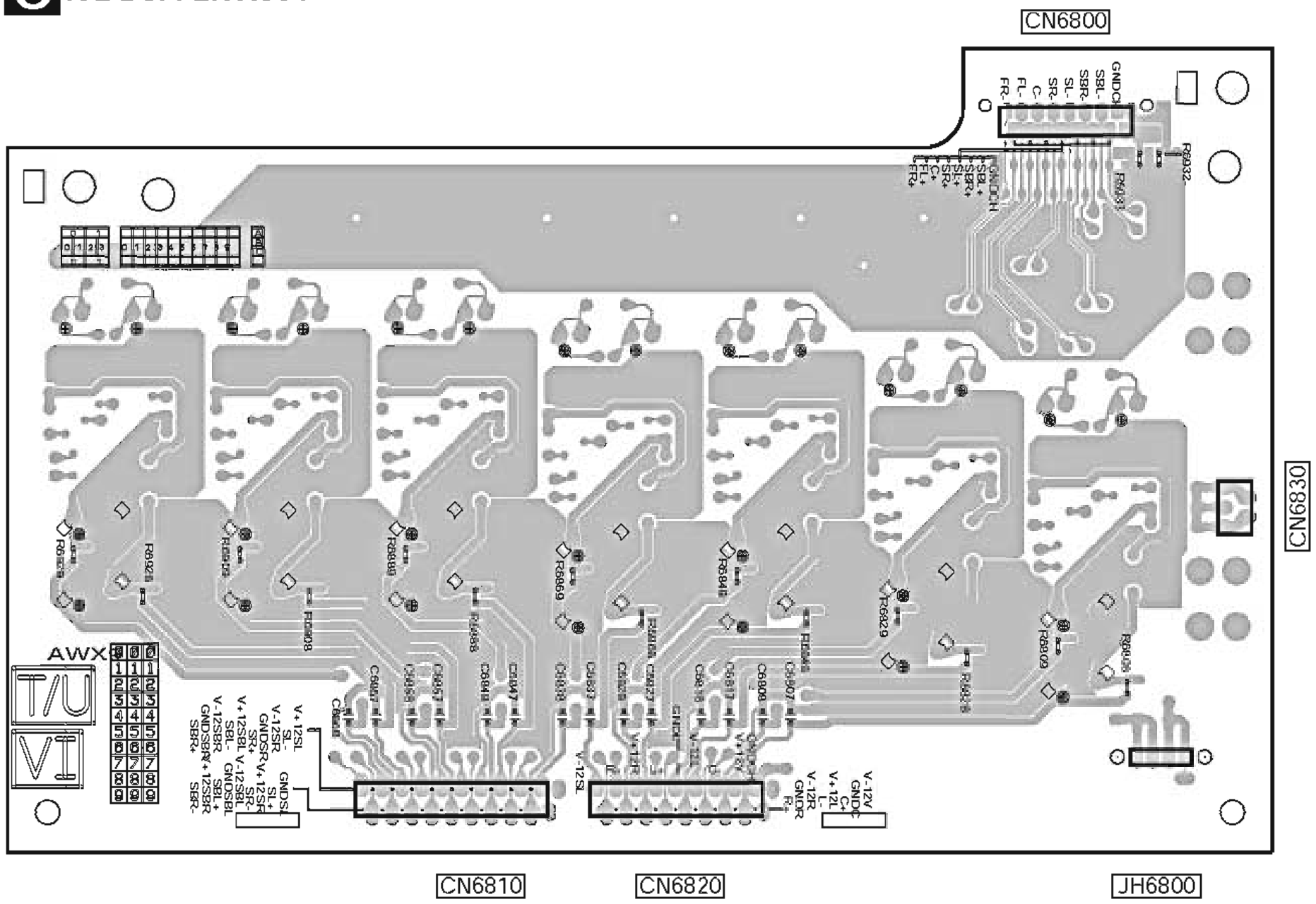
N PRE BRIDGE ASSY

SIDE B



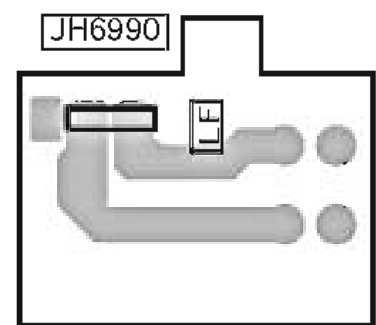
(ANP7652-C)

O ICE BUFFER ASSY



(ANP7652-C)

R ICE SHIELD ASSY



(ANP7652-C)

NOR

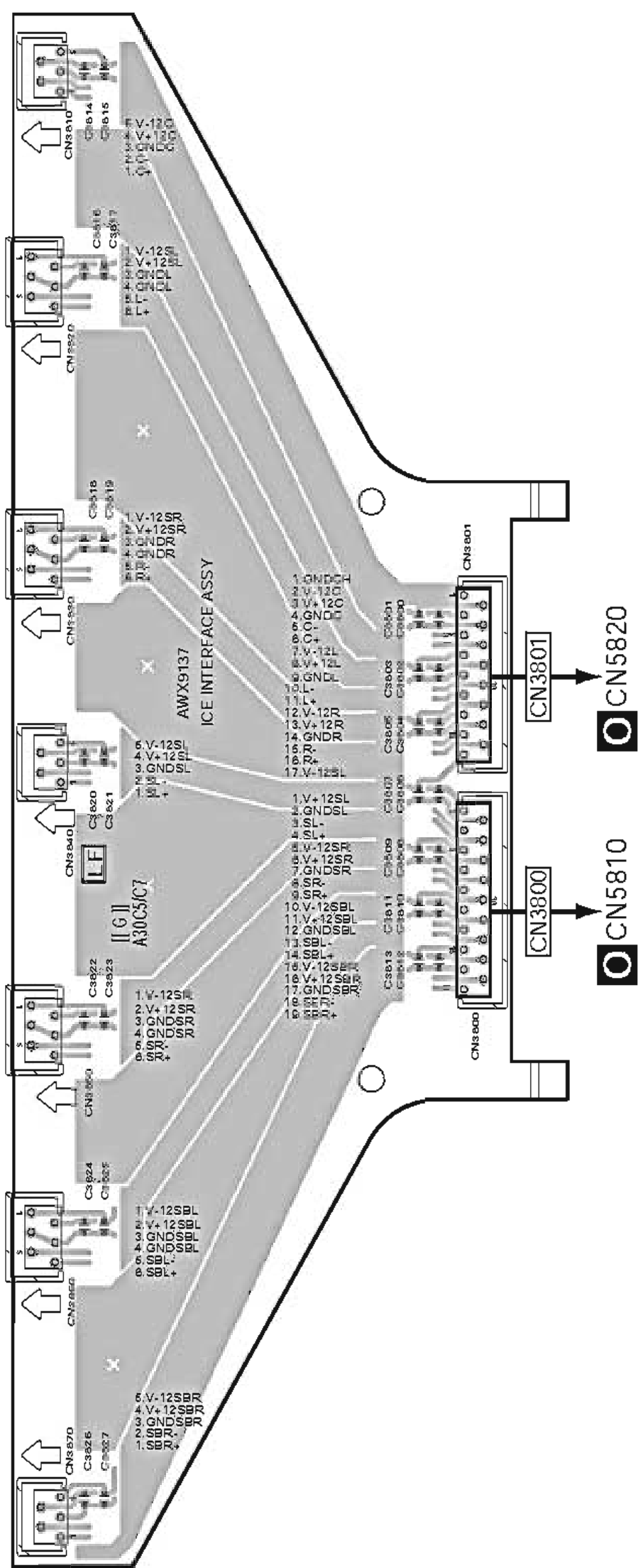
RON

11.12 ICE INTERFACE ASSY

SIDE A

SIDE A

P ICE INTERFACE ASSY



(ANP7649-B)

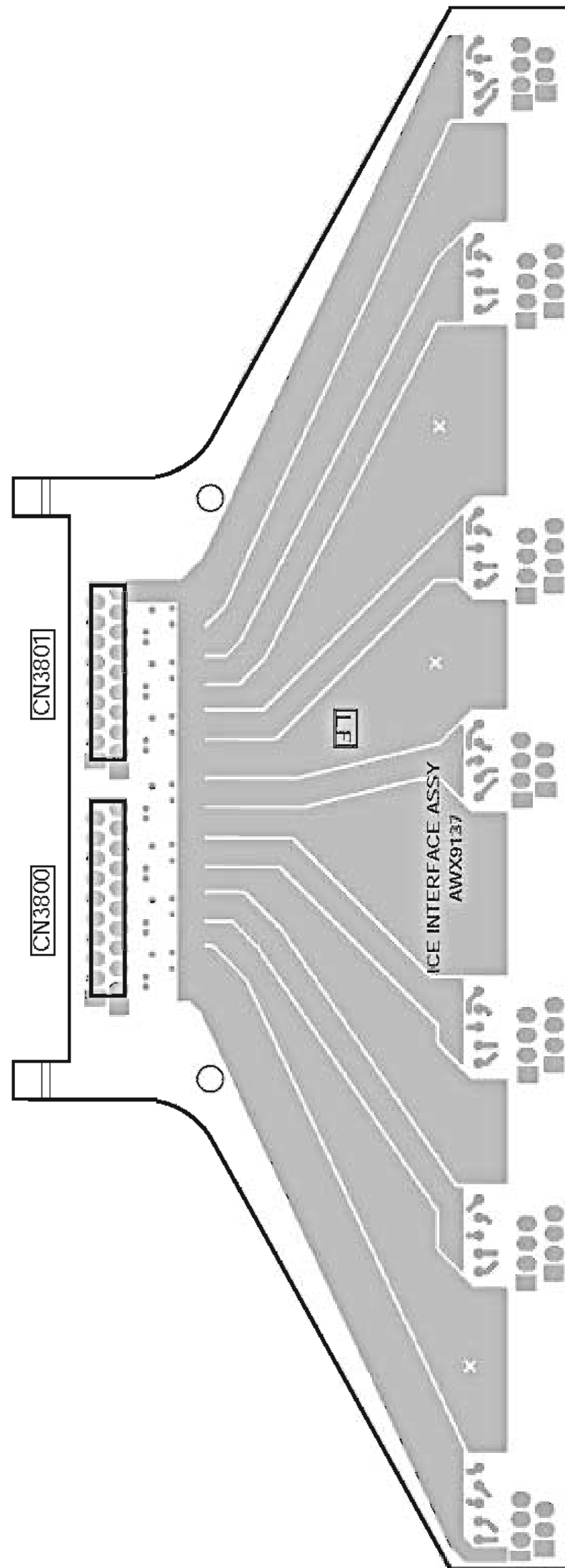
P

P

SIDE B

SIDE B

P ICE INTERFACE ASSY



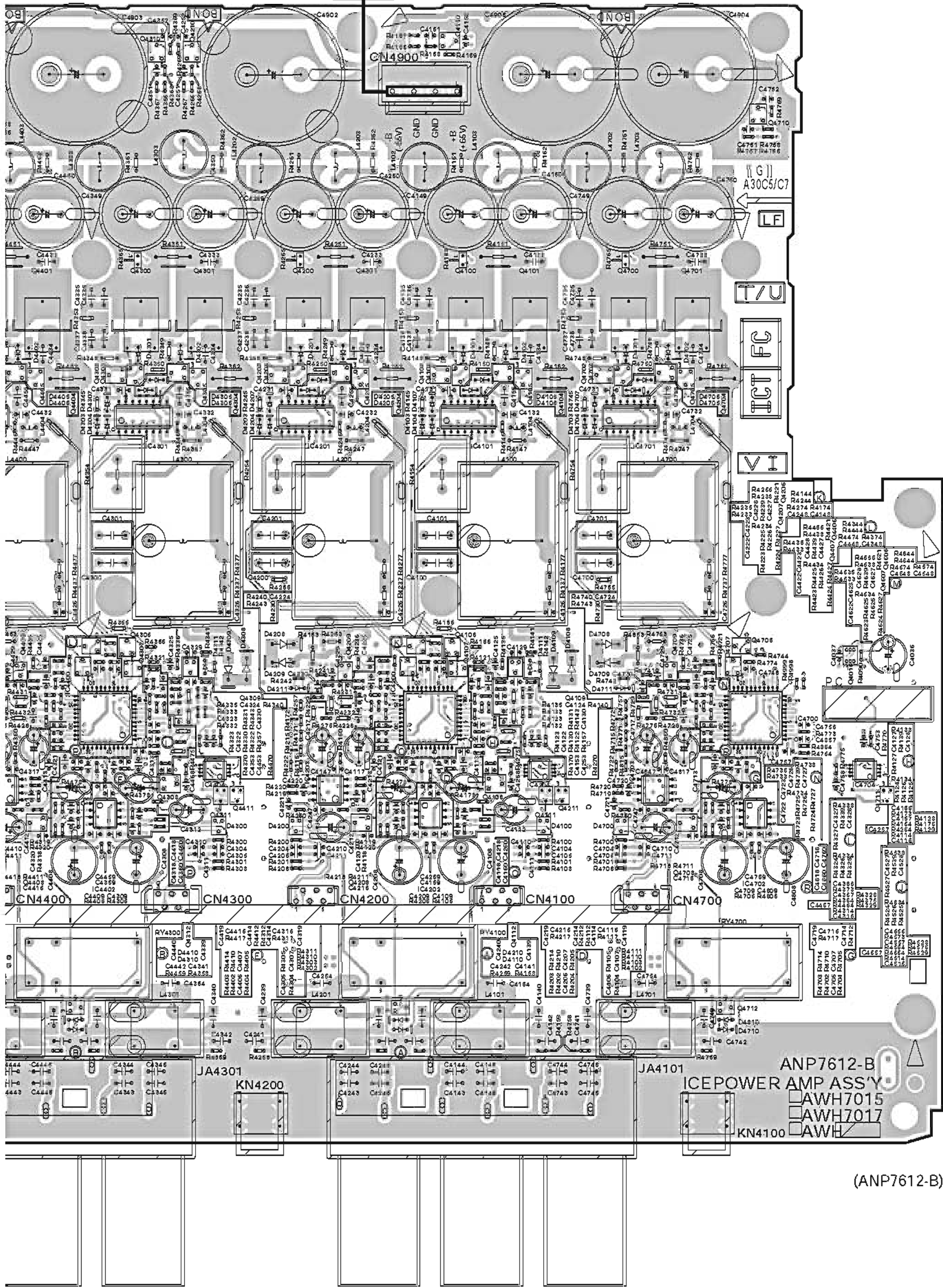
(ANP7649-B)

P

SC-07

P

Y CN703
CN4900



(ANP7612-B)

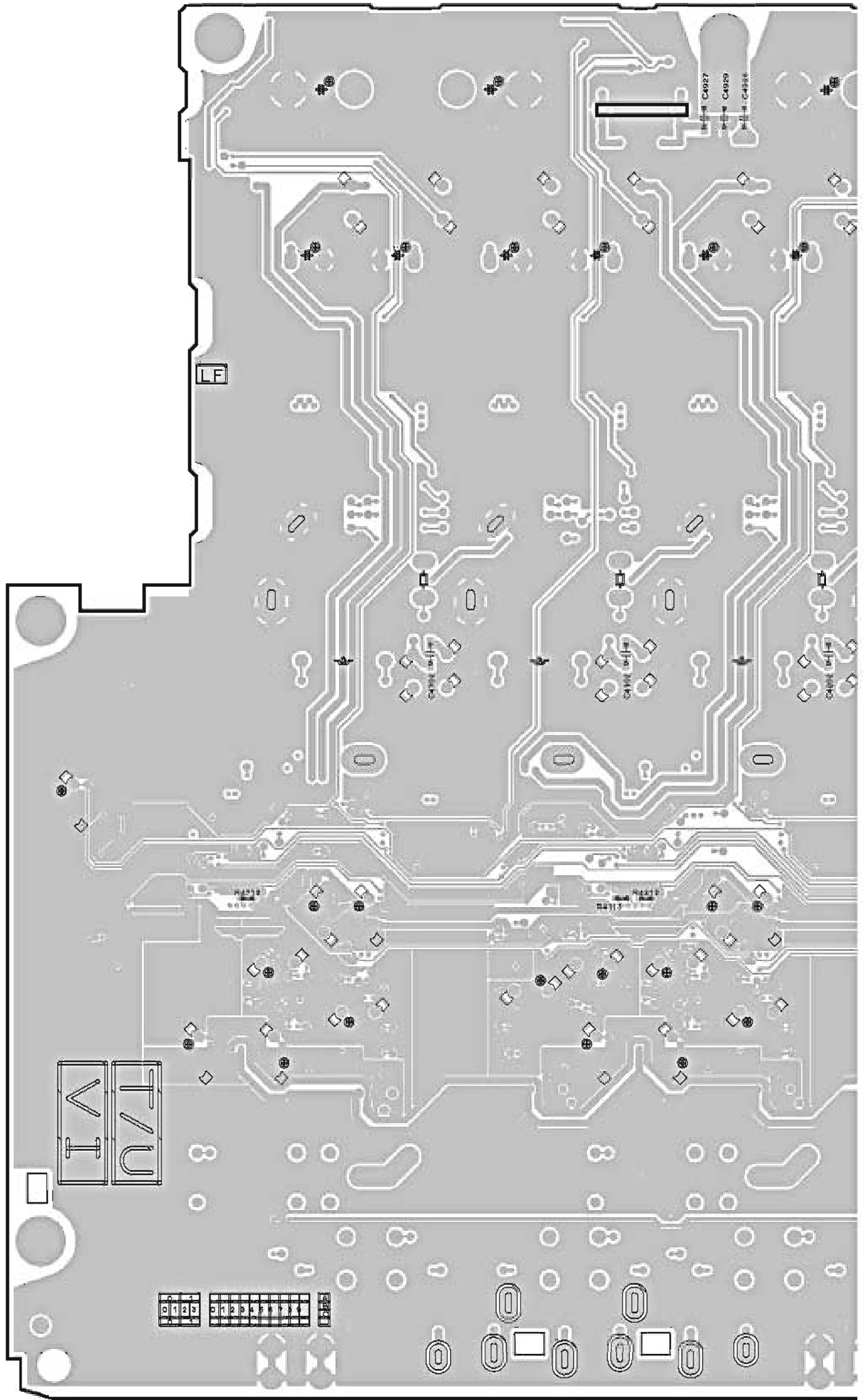


SIDE B

Q ICEPOWER AMP ASSY

CN4900

IC Q



Q4015

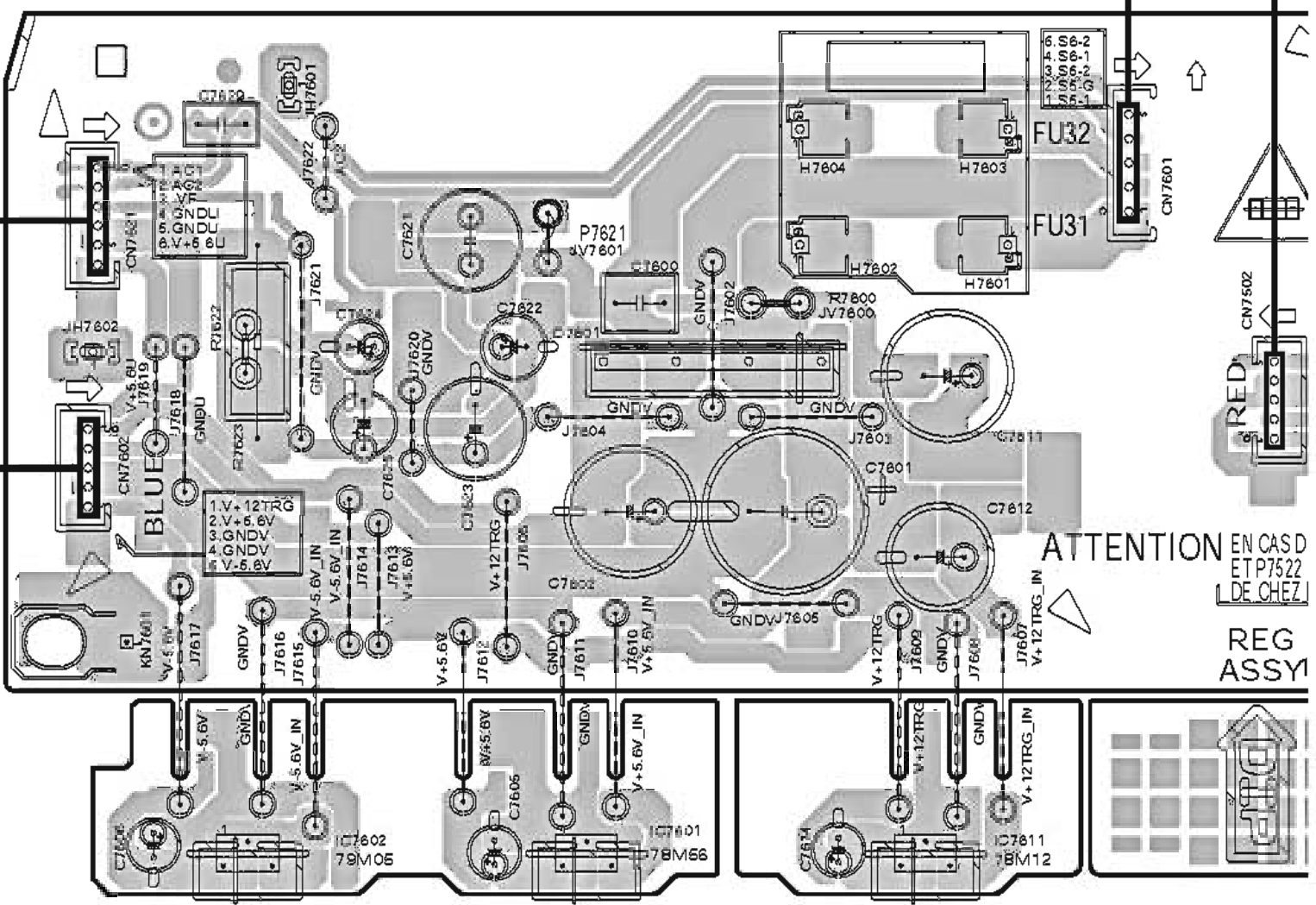
Q4004
Q4007
Q4006
Q4009
Q4008 Q4011Q4005

Q4010

11.14 ZOUT, PRIMARY GUARD and REG ASSYS

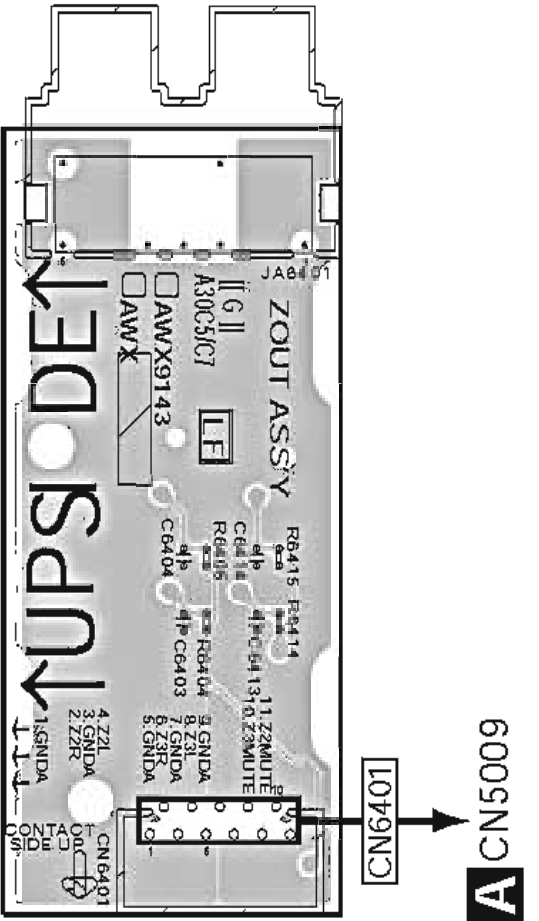
SIDE A

V REG ASSY



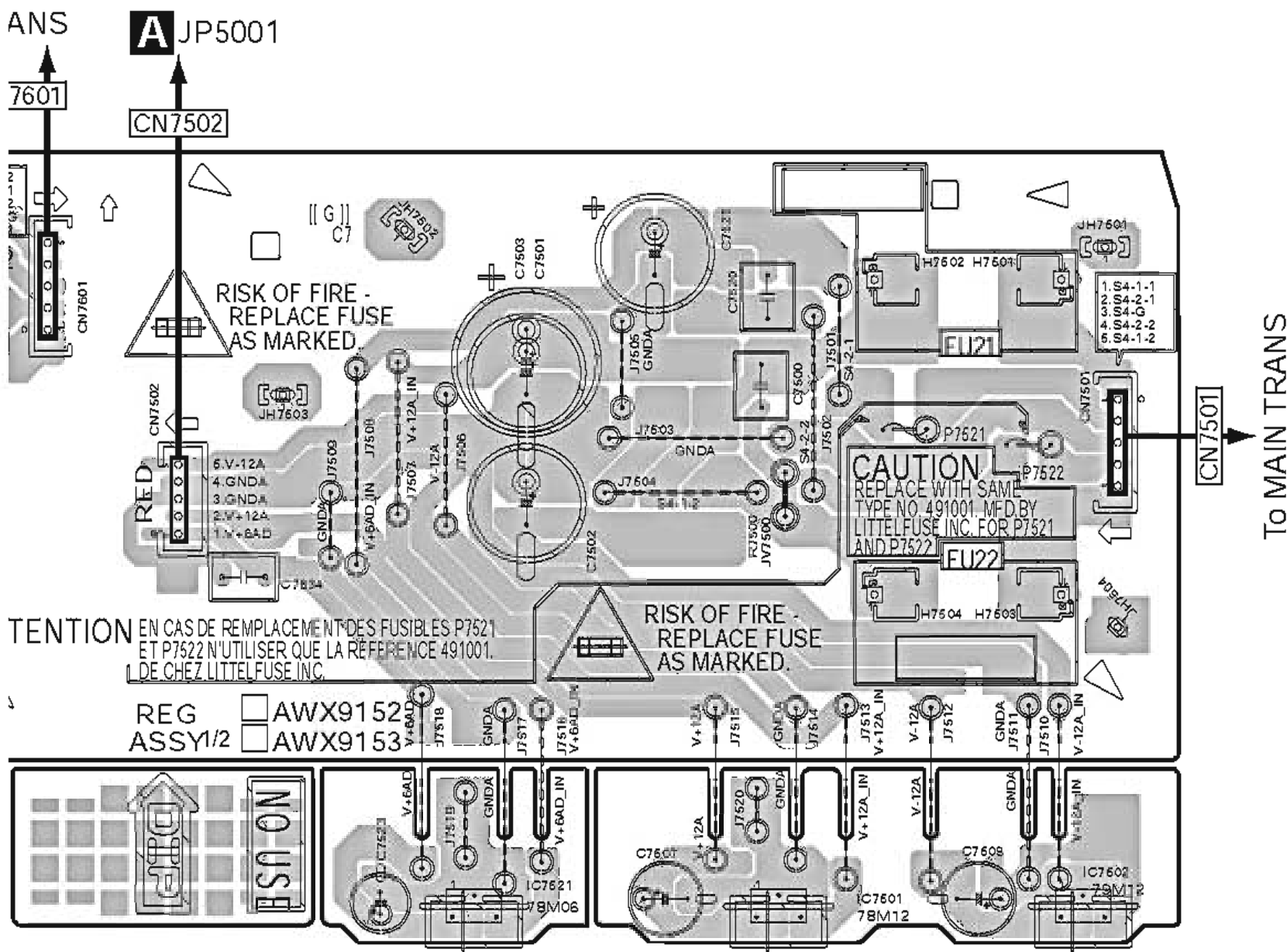
- IC7601 IC7602
- IC7611 IC7621
- IC7612 IC7622
- IC7602 79M05
- IC7601 79M56
- IC7611 79M12

S ZOUT ASSY

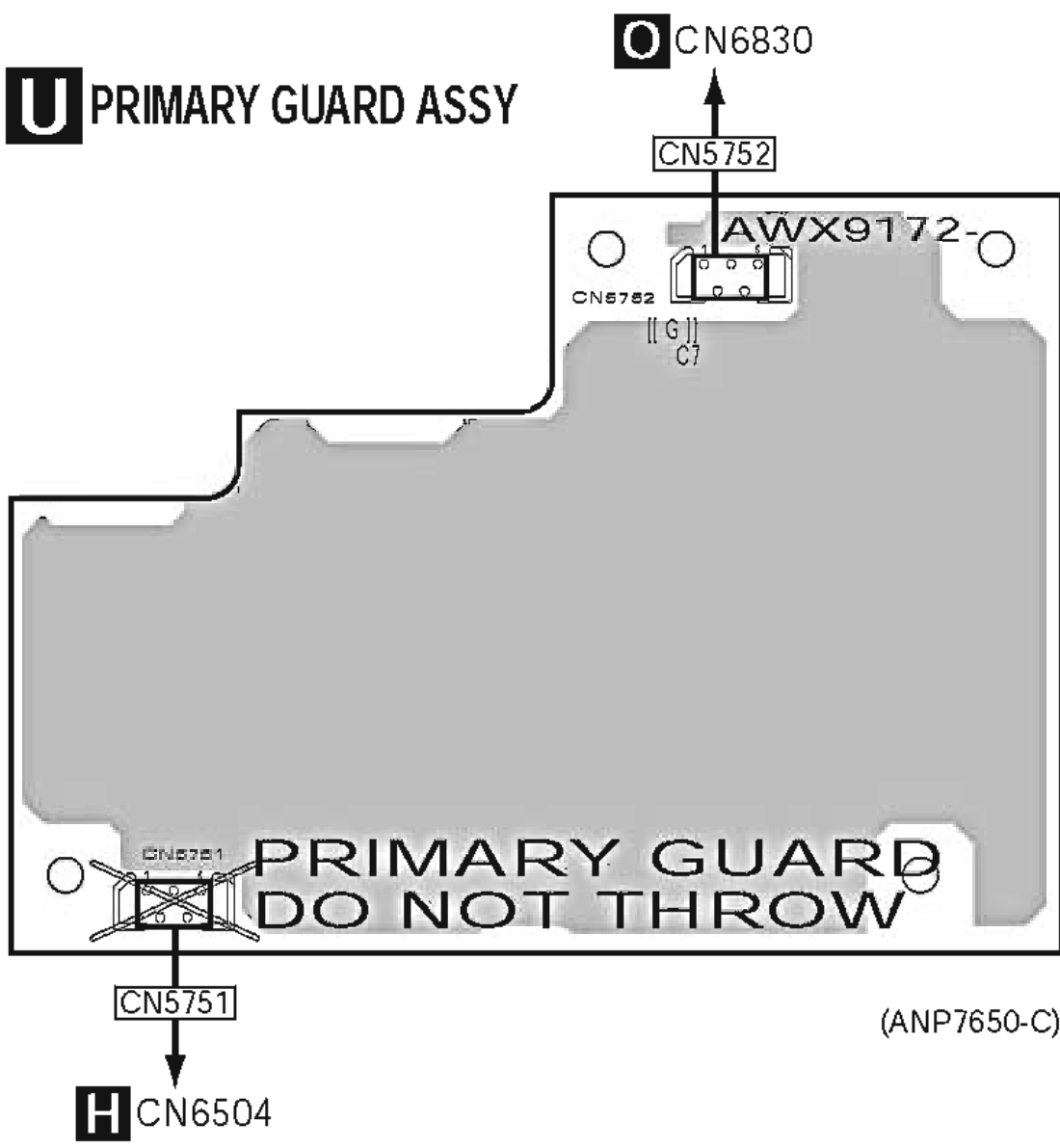


(ANP7651-B)

S U V



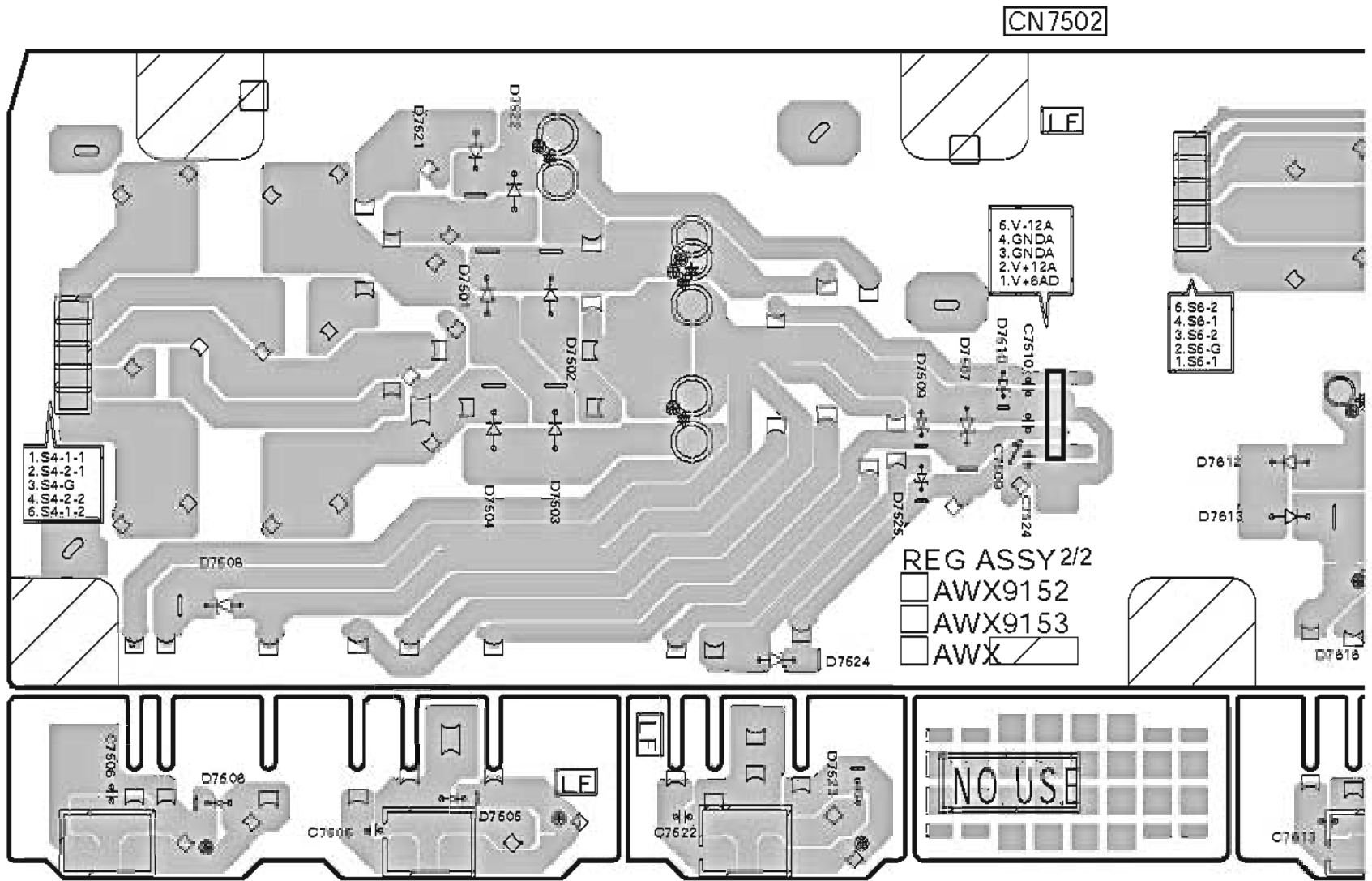
(ANP7654-B)



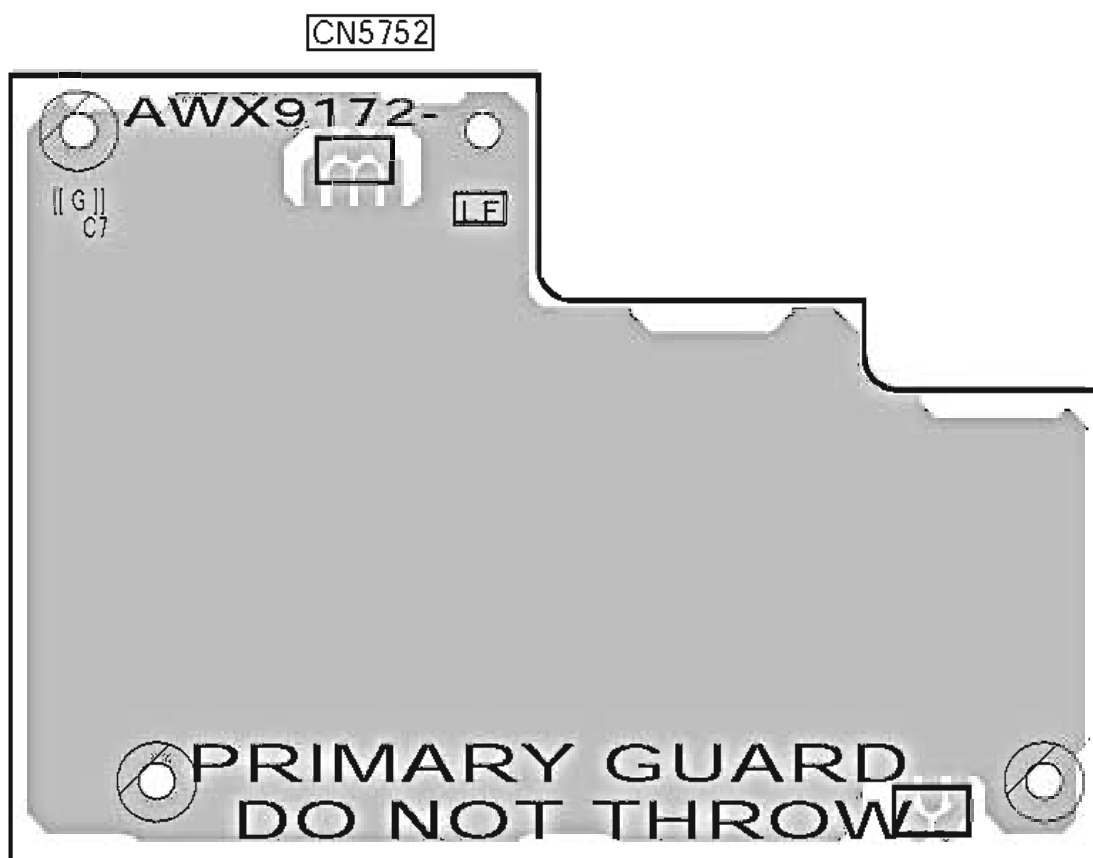
(ANP7650-C)

SIDE B

V REG ASSY



S ZOUT ASSY



CN5751 (ANP7651-B)

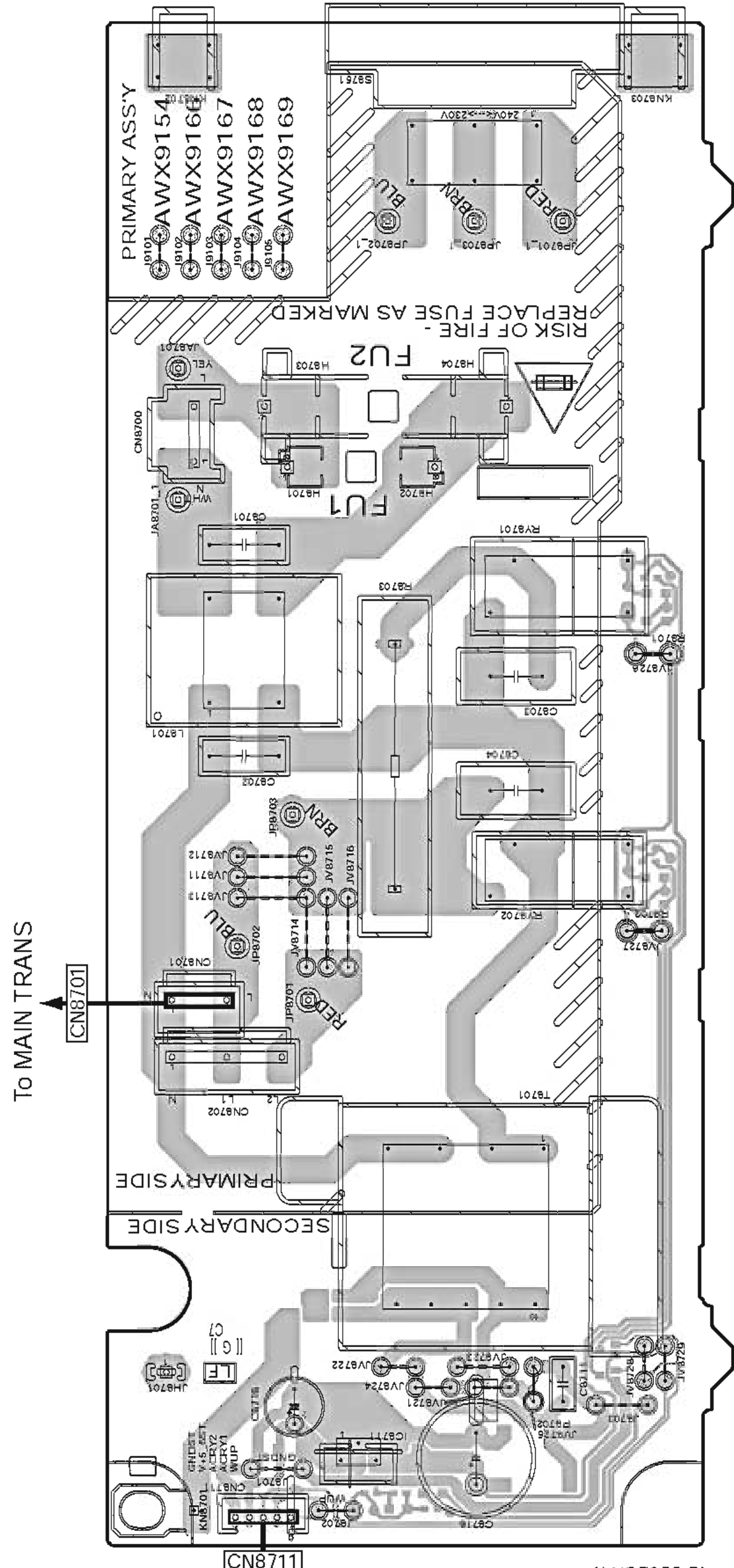
11.15 PRIMARY ASSY

SIDE A

SIDE A

T PRIMARY ASSY

IC Q



To MAIN TRANS

PRIMARY SIDE
SECONDARY SIDE

CN8711

(ANP7655-B)

G CN6008

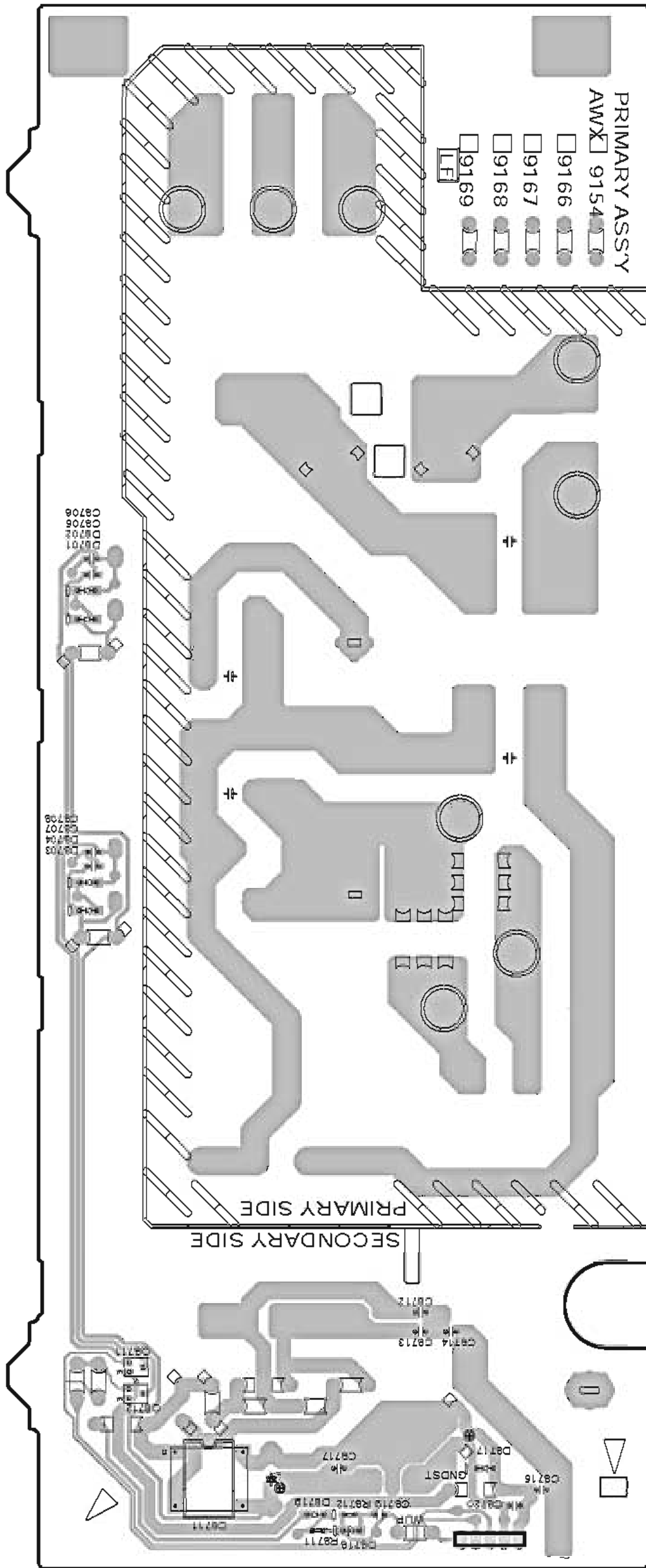
SC-07

T

T

T PRIMARY ASSY

IC Q



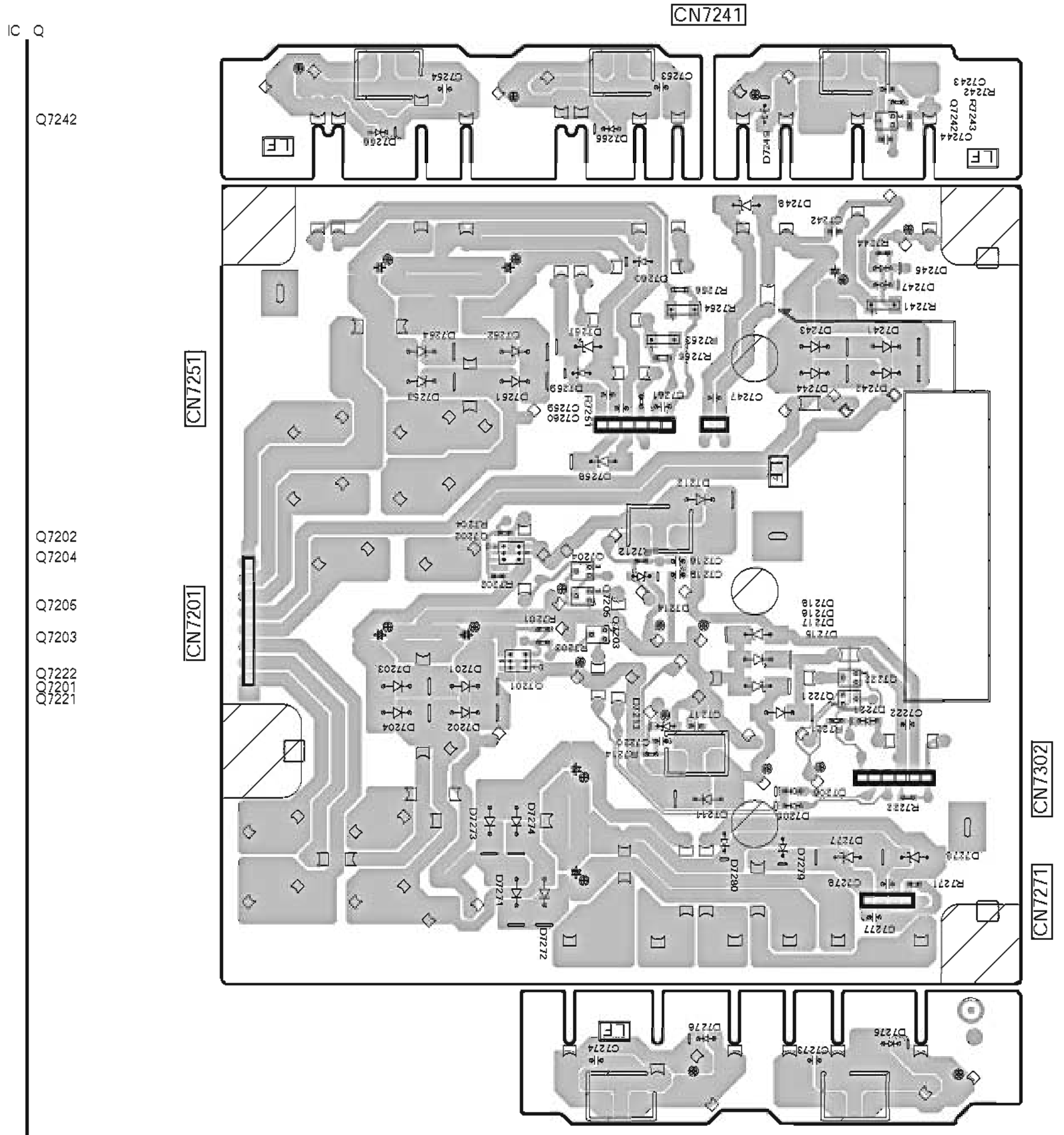
Q8711

Q8712

CN8711 (ANP7655-B)



W ICE REG ASSY

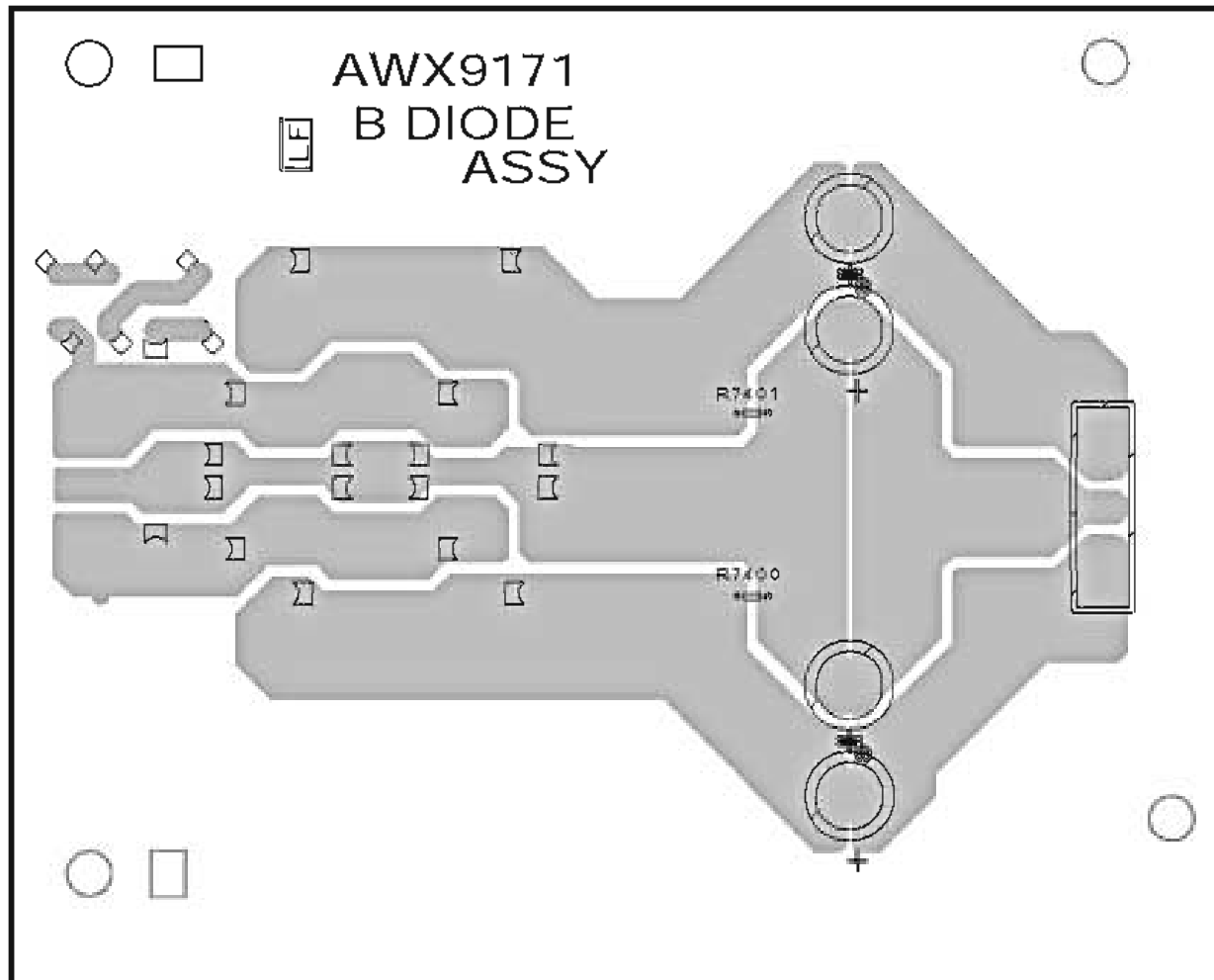


(ANP7653-B)



X B DIODE ASSY

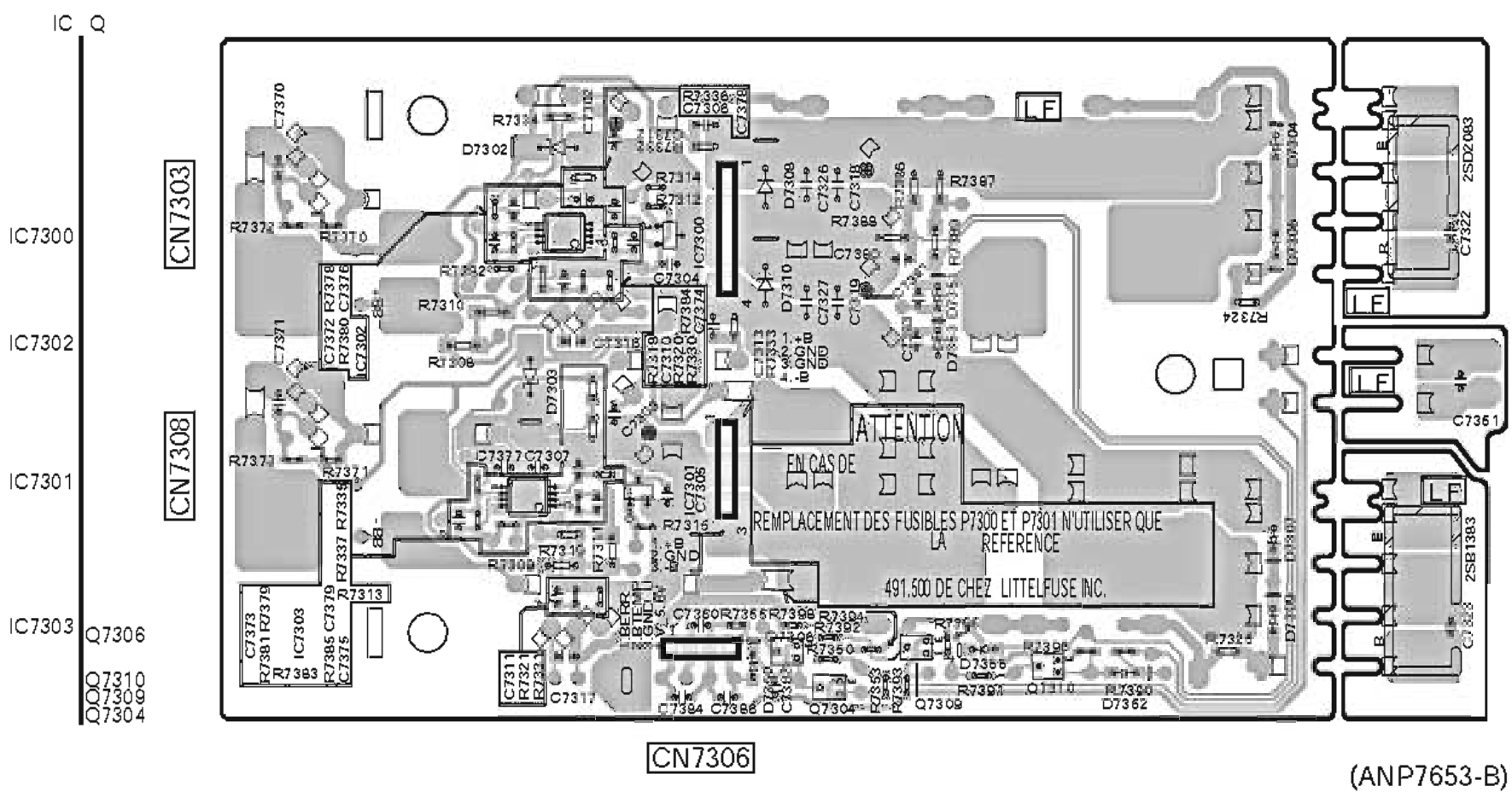
SIDE B



(ANP7653-B)

SIDE B

Y B REG ASSY



(ANP7653-B)

Y X

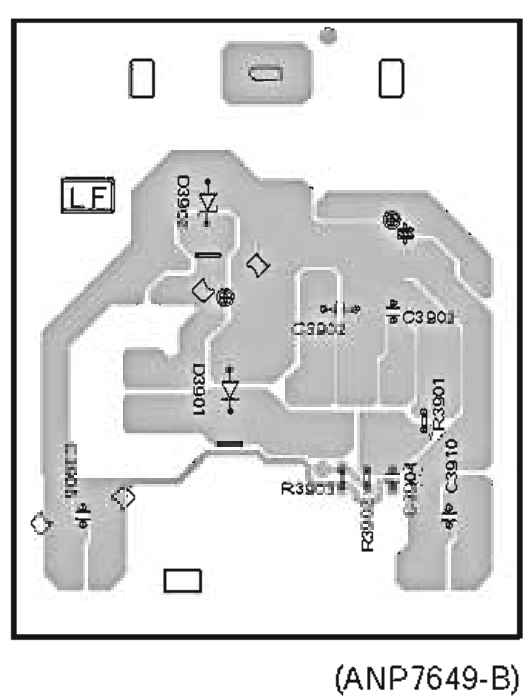
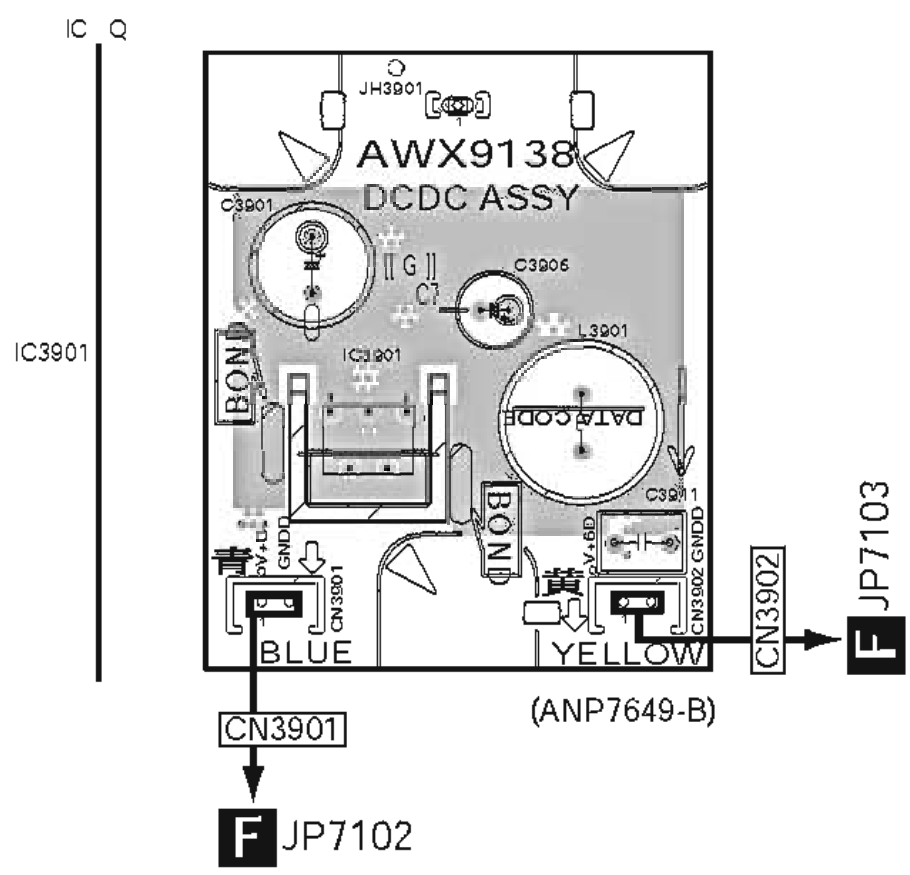
11.18 DCDC and HDMI RECT ASSYS

SIDE A

SIDE B

Z DCDC ASSY

Z DCDC ASSY

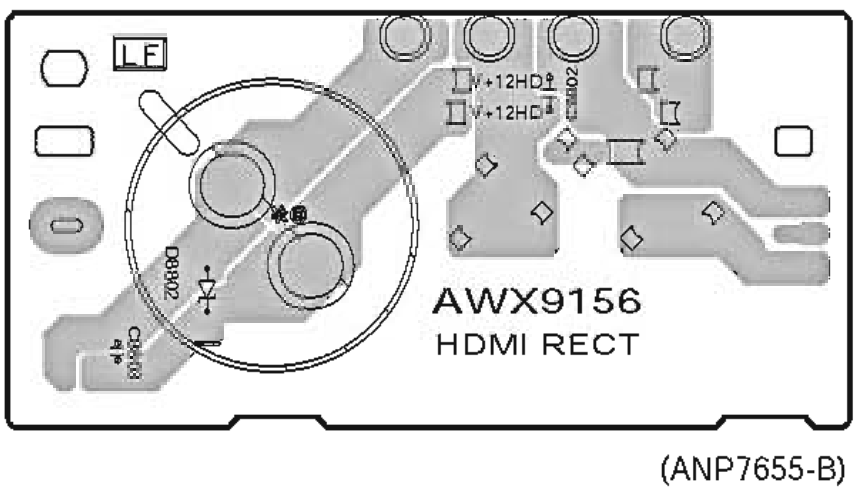
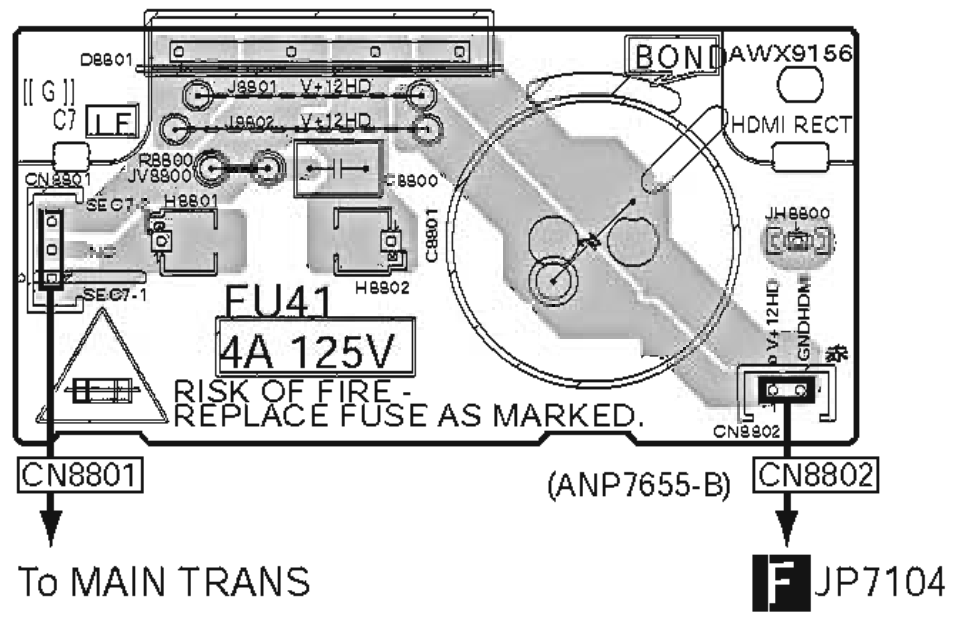


SIDE A

SIDE B

AA HDMI RECT ASSY

AA HDMI RECT ASSY



12. ELECTRICAL PARTS LIST

NOTES: • Parts marked by "NSP" are generally unavailable because they are not in our Master Spare Parts List.

• The Δ mark found on some component parts indicates the importance of the safety factor of the part. Therefore, when replacing, be sure to use parts of identical designation.

• When ordering resistors, first convert resistance values into code form as shown in the following examples.

Ex.1 When there are 2 effective digits (any digit apart from 0), such as 560 ohm and 47 k ohm (tolerance is shown by J = 5%, and K = 10%).

560Ω → 56 × 10¹ → 561.....RD1/4PU⁵ ⁶ ¹ J
 47 kΩ → 47 × 10³ → 473.....RD1/4PU⁴ ⁷ ³ J
 0.5 Ω → R50.....RN2H^R ⁵ ⁰ K
 1 Ω → 1R0.....RS1P¹ ^R ⁰ K

Ex.2 When there are 3 effective digits (such as in high precision metal film resistors).

5.62 kΩ → 562 × 10¹ → 5621.....RN1/4PC⁵ ⁶ ² ¹ F

• Meaning of the figures and others in the parentheses in the parts list.

Example) IC 301 is on the point (face A, 91 of x-axis, and 111 of y-axis) of the corresponding PC board.

IC 301 (A, 91, 111) IC NJM2068V

Mark No.	Description	Part No.	Mark No.	Description	Part No.
LIST OF ASSEMBLIES					
	1..ICEPOWER AMP ASSY	AWH7015	NSP	1..COMPONENT FIN ASSY	AWQ7058
				2..COMPONENT ASSY (SC-07)	AWX9141
NSP	1..COMPOSITE ICE ASSY	AWM8106		2..COMPONENT ASSY (SC-05)	AWX9211
	2..COMPOSITE S ASSY	AWX9144		2..FRONT IN ASSY	AWX9142
	2..ICE BUFFER ASSY	AWX9145		2..ZOUT ASSY	AWX9143
	2..PRE BRIDGE ASSY	AWX9146	NSP	1..INTERFACE REG ASSY	AWR7067
	2..ICE SHIELD ASSY	AWX9173		2..INTERFACE ASSY	AWX9148
NSP	1..PRIM DISPLAY ASSY	AWM8119		2..ICE REG ASSY	AWX9149
	2..PRIMARY ASSY	AWX9154		2..B REG ASSY	AWX9150
	2..HDMI RECT ASSY	AWX9156		2..B DIODE ASSY	AWX9171
	2..DISPLAY ASSY (SC-07)	AWX9158	NSP	1..FBRIDGE REG ASSY	AWR7068
	2..DISPLAY ASSY (SC-05)	AWX9238		2..REG ASSY	AWX9152
	2..VOL ASSY	AWX9159		2..FRONT BRIDGE ASSY	AWX9155
	2..POWER SW ASSY	AWX9160	NSP	1..AUDIO ASSY	AWR7070
	2..V-BRIDGE ASSY	AWX9161		2..AUDIO ASSY	AWX9139
NSP	1..DIGITAL MOTHER ASSY	AWP7057		2..232C & CONTROL ASSY	AWX9140
	2..D-MOTHER ASSY (SC-07)	AWX9136		2..PRIMARY GUARD ASSY	AWX9172
	2..D-MOTHER ASSY (SC-05)	AWX9201		1..HDMI NETWORK ASSY (SC-07)	AWX9135
	2..ICE INTERFACE ASSY	AWX9137		1..HDMI NETWORK ASSY (SC-05)	AWX9190
	2..DCDC ASSY	AWX9138		1..FM/AM TUNER UNIT	AXX7250
	2..H GUARD2 ASSY	AWX9147			
	2..H GUARD ASSY	AWX9174			

CONTRAST OF PCB ASSEMBLIES

G COMPONENT ASSY

AWX9141 and AWX9211 are constructed the same except for the following:

Mark	Symbol and Description	AWX9141	AWX9211
	IC6008 Video IC	NJM2581M	Not used
	IC6002, IC6004 Multiplexer(4chx2)	TC74LVX4052FT	Not used
	JA6005 Pin Jack(3p)	Not used	AKB7203
	JA6003 Pin Jack(6p)	AKB7204	Not used
	R6043, R6044, R6045	RS1/16S750J	Not used
	R6108	RS1/16S103J	Not used
	C6050, C6051, C6055-C6057	CEAT101M10	Not used
	C6058, C6059, C6148, C6151, C6158, C6161	CKSRYB105K10	Not used
	C6060, C6061, C6149, C6150, C6159, C6160	CCSRCH102J50	Not used
	C6131-C6136	CKSRYB103K50	Not used

K DISPLAY ASSY

AWX9158 and AWX9238 are constructed the same except for the following:

Mark	Symbol and Description	AWX9158	AWX9238
	R8015, R8084	Not used	RS1/16S0R0J

PCB PARTS LIST FOR SC-07/KUXJ/CA UNLESS OTHERWISE NOTED

Mark No. Description Part No.

A AUDIO ASSY

SEMICONDUCTORS

IC 5001,5282,5302,5401	NJM4565MD
IC 5201	BD3473KS2
IC 5221	BD3814FV
IC 5255,5351	TC4053BFN
IC 5301	TC4066BFN
Q 5269,5301,5351	RT1N241M
Q 5302	RT1P241M
Q 5401,5402	2SK208
Q 5431	IMX25
Q 5451	RT3T22M
Q 5453	RT1N140M
△ Q 5501	2SD1858X
△ Q 5502	2SB1238X
△ Q 5601	2SD1664
D 5201,5301,5302	1SS302
D 5401,5402,5451,5452	1SS352
D 5501,5502	UDZS7R5(B)
D 5602	UDZS10(B)

MISCELLANEOUS

JA 5001,5002 PIN JACK(4P)	XKB3017
JA 5004-5009 PIN JACK(4P)	XKB3017
RY 5451 RELAY	VSR1017
CN 5002 CONNECTOR	CKS3384
CN 5003 CONNECTOR	CKS3386
CN 5004 13P CONNECTOR	52044-1345
CN 5005 17P CONNECTOR	52044-1745
CN 5006 21P SOCKET	XKP3081
CN 5007 9P CONNECTOR	52044-0945
CN 5008 11P CONNECTOR	52044-1145
CN 5009 CONNECTOR	CKS3376
JH 5001 PCB BINDER	VEF1040
JP 5001 5P HOUSING ASSY	ADX7653

RESISTORS

R 5413,5414	RD1/4MUF330J
Other Resistors	RS1/16S###J

CAPACITORS

C 5003,5004,5017,5018	CEAT100M50
C 5007,5008,5019,5020	CEAT470M16
C 5011,5012	CKSRYB822K50
C 5013-5016	CKSRYB122K50
C 5021,5022,5232,5234	CKSRYB104K16
C 5035,5038,5055,5056	CEAT220M50
C 5045,5046,5115,5116	CEAT100M50
C 5075,5076,5085,5086	CEAT220M50
C 5095,5096,5105,5106	CEAT220M50
C 5125,5126,5145,5146	CEAT220M50
C 5135,5136,5221,5222	CEAT100M50
C 5155,5156,5165,5166	CEAT220M50
C 5175,5176,5185,5186	CEAT220M50

Mark No. Description Part No.

C 5202,5204,5231,5233	CEAT470M16
C 5205,5206,5235,5236	CCSRCH101J50
C 5207,5208	CEAT220M50
C 5209,5210	CFHXSQ103J16
C 5223,5224,5227,5228	CEAT2R2M50
C 5225,5226,5271-5278	CEAT100M50
C 5265,5266,5285,5286	CKSRYB103K50
C 5282,5303,5304	CCSRCH101J50
C 5290,5503,5504	CEAT100M50
C 5301,5302,5305,5306	CKSRYB103K50
C 5307,5308	ACH7196
C 5351,5352,5421,5423	CKSRYB103K50
C 5356,5357,5508,5510	CCSRCH102J50
C 5401,5402	CEAT1R0M50
C 5403,5404	CCSRCH221J50
C 5409,5410	CEAT471M16
C 5411,5412	CEAT470M16
C 5422,5424	CEAT470M25
C 5431,5432,5601,5605	CKSRYB103K50
C 5451,5603,5606	CEAT101M16
C 5501,5502	CEAT2R2M50
C 5511	CCSRCH102J50
C 5602,5708,5710,5712	CKSRYB104K16
C 5701,5703,5709,5711	CKSRYB471K50
C 5702,5704	CKSRYB104K50
C 5705	CKSRYB103K50
C 5713,5715,5719	CKSRYB471K50
C 5714,5718	CKSRYB104K16

B D-MOTHER ASSY (SC-07)

SEMICONDUCTORS

IC 2001	PEG489B8
IC 2002,2003,2203,2204	TC4094BFN
IC 2005	BU4842F
IC 2006	TC74LCX244FTS1
IC 2007,2008,2406	TC74VHCT125AFTS1
IC 2009,2010	TC74VHCT541AFTS1
△ IC 2011,2412	NJM2880U1-33
IC 2201	PEG396A
IC 2202	AYW7256
IC 2205,2211,2408,2409	TC74VHC125FTS1
IC 2206	TC74VHC32FTS1
IC 2207,2407,2709,2805	TC74VHC08FTS1
IC 2208	TC74VHCT08AFTS1
IC 2209	TC74VHC04FTS1
IC 2210	TC74VHC00FTS1
IC 2213	TC7SH04FUS1
IC 2401	AK4114VQ
IC 2402-2404,2803	TC74LCX157FTS1
IC 2410,2411,2707	TC7SH08FUS1
△ IC 2413,2983	NJM2845DL1-05

Mark No.	Description	Part No.	Mark No.	Description	Part No.
IC 2414,2602,2603		TC74VHC125F5T1	L 3251-3254	CHIP SOLID INDUCTOR	QTL1013
IC 2601		BU9450KV	L 3281	CHIP SOLID INDUCTOR	QTL1013
△ IC 2604		AAT4618IGV-0.5-1	L 3351-3354	CHIP SOLID INDUCTOR	QTL1013
IC 2701		DSPA56720AG	L 3381,3451	CHIP SOLID INDUCTOR	QTL1013
IC 2702		AYW7234	JA 2401	PIN JACK(3P)	AKB7205
IC 2703		HY57V641620FTP-6	JA 2402-2405	OPT. LINK IN	AKS7001
IC 2704,2705		TC74LCX573F5T1	JA 2406,2407	OPT. LINK OUT	AKS7002
△ IC 2706		NJM2872BF33	JA 2601	4P SOCKET	AKP7201
△ IC 2710		NJM2846DL3-33	KN 2001,2201	WRAPPING TERMINAL	VNF1084
△ IC 2711		PQ1LAX95MSPQ	KN 2401	SCREW PLATE	VNE1948
△ IC 2712		RP131H101D	X 2001	RESONATOR (24.000 MHz)	CSS1716
△ IC 2713		NJM2846DL3-25	X 2201	CERAMIC RESONATOR (15.7MHz)	ASS7087
IC 2714		TC7SH32FUS1	X 2601	CRYSTAL RESONATOR (45.1584 MHz)	ASS7065
IC 2801		DSPC56371AF180	X 2701	CRYSTAL OSCILLATOR (24.576 MHz)	ASS7072
IC 2802		PDC168A8	X 2702	CRYSTAL OSCILLATOR (22.5792 MHz)	ASS7071
IC 2804,2806		TC74LCX08F5T1	CN 2001	16P CONNECTOR	VKN1420
IC 2807		TC74VHC126F5T1	CN 2002	29P CONNECTOR	VKN1844
IC 2808		TC7WH157FU	CN 2003	22P CONNECTOR	RKN1063
IC 2901,2902,3401		NJM4565MD	CN 2005,2007,2902	PLUG	CKS1764
IC 2951		PCM1804DB	CN 2006	7P SOCKET	XKP3074
△ IC 2981		NJM2391DL1-33	CN 2008,2903	PLUG	CKS1761
△ IC 2982		NJM2885DL1-33	CN 2401	PLUG(3P)	KM200NA3
IC 3001,3101,3201,3301		RNB4580F	CN 2402	23P SOCKET	XKP3082
IC 3051,3151,3251,3351		SRC4190IDB	CN 2403	CONNECTOR	CKS3815
IC 3052,3152,3252,3352		WM8740SEDS	CN 2901	PLUG	CKS1758
IC 3053,3153,3253,3353		TC7WH125FU	JH 2001	PCB BINDER	VEF1040
IC 3451		AK4387ET	RESISTORS		
Q 2005,2008		RT1N241M	R 2001-2003,2005-2007		RS1/16S104J
Q 2006		RT3P22M	R 2011-2013,2035,2202		RS1/16S473J
Q 2007		2SA1366	R 2015,2027,2032,2039		RS1/16S104J
Q 2201		RT1N141M-11	R 2018,2209		RS1/16S512J
Q 2202		2SA1602A	R 2021,2026,2028,2030		RAB4CQ101J
Q 2203		RT1P431M	R 2031,3003-3006		RS1/16S222J
Q 2205,2207,2208		RT1P241M	R 2033,2034		RAB4CQ471J
D 2001,2003,2951,2952		MC2848-11	R 2036,2049,2207,2214		RAB4CQ101J
D 2002		RB520S-30	R 2041,2043,2045,2046		RS1/16S104J
△ D 2004,2005		MC2848-11	R 2047,3117,3118,3217		RS1/16S474J
D 2201		1SS357	R 2048,2050,2066,2067		RS1/16S104J
D 2601,2602		HZU5R6(B2)	R 2069,2255,2610,2615		RS1/16S104J
D 2701-2704		1SR154-400	R 2072,2103,2105,2107		RAB4CQ473J
D 2953,2954		MC2846-11	R 2073		RS1/16S472J
MISCELLANEOUS			R 2114,2118,2241		RAB4CQ473J
L 2001	CHIP SOLID INDUCTOR	QTL1013	R 2140,2141,2270,2271		RS1/16S0R0J
L 2002,2003	CHIP SOLID INDUCTOR	ATL7002	R 2203,2717-2719,2721		RAB4CQ220J
L 2404-2409	CHIP SOLID INDUCTOR	QTL1013	R 2210,2237,2466,2467		RS1/16S101J
L 2411-2416	CHIP SOLID INDUCTOR	QTL1013	R 2211,2217,2229,2230		RS1/16S473J
L 2601	CHIP SOLID INDUCTOR	ATL7002	R 2216,2218,2223,2226		RAB4CQ101J
L 2602,2603	CHIP SOLID INDUCTOR	QTL1013	R 2233,2235,2246		RS1/16S473J
L 2701	CHIP SOLID INDUCTOR	QTL1013	R 2234,2425,2730,2812		RAB4CQ101J
L 2703-2711	CHIP SOLID INDUCTOR	QTL1013	R 2401-2403		RS1/16S750J
L 2713	CHIP SOLID INDUCTOR	QTL1013	R 2404-2406,2901-2904		RS1/16S220J
L 2801-2804	CHIP SOLID INDUCTOR	QTL1013	R 2423		RS1/16SS1802F
L 2806-2811	CHIP SOLID INDUCTOR	QTL1013	R 2609,2795,2796		RS1/16S101J
L 2951,2952	CHIP SOLID INDUCTOR	QTL1013	R 2629,2715,2746,2802		RAB4CQ470J
L 3051-3054	CHIP SOLID INDUCTOR	QTL1013	R 2714,2905,2906,2909		RS1/16S103J
L 3081	CHIP SOLID INDUCTOR	QTL1013	R 2722,2761,2762,2765		RAB4CQ220J
L 3151-3154	CHIP SOLID INDUCTOR	QTL1013	R 2747,2803		RAB4CQ103J
L 3181	CHIP SOLID INDUCTOR	QTL1013	R 2759,2760,2763,2764		RAB4CQ221J
			R 2766		RAB4CQ220J

Mark No.	Description	Part No.	Mark No.	Description	Part No.
C	2905-2908,3109,3110	ACH7196	IC	2007,2008,2406	TC74VHCT125AFTS1
C	2911,2912,2915,2916	CFHXSQ103J16			
C	2913,2914	CCSRCH101J50	IC	2009,2010	TC74VHCT541AFTS1
C	2928,2953,2955,2958	CKSRYB104K16	△ IC	2011,2412	NJM2880U1-33
C	2959,2964,3059,3070	CKSRYB103K50	IC	2201	PEG396A
C	2960,2981,2990,2995	CEHAZL101M10	IC	2202	AYW7256
C	2961-2963,2966,2983	CKSRYB104K16	IC	2205,2211,2408,2409	TC74VHC125FTS1
C	2987	CEHAZL101M25	IC	2206	TC74VHC32FTS1
C	2992,2994,3053,3056	CKSRYB104K16	IC	2207,2407,2709,2805	TC74VHC08FTS1
C	2996,2997,3007,3008	CFHXSQ103J16	IC	2208	TC74VHCT08AFTS1
C	3003-3006,3103,3105	CCSRCH331J50	IC	2209	TC74VHC04FTS1
C	3013,3014,3113,3114	CFHXSQ472J16	IC	2210	TC74VHC00FTS1
C	3051,3151,3251,3351	CEHAZL101M10	IC	2213	TC7SH04FUS1
C	3057,3075,3101,3102	CCSRCH102J50	IC	2401	AK4114VQ
C	3058,3062,3064,3066	CKSRYB104K16	IC	2402-2404,2803	TC74LCX157FTS1
C	3067,3161,3167,3261	ACH7211	IC	2410,2411,2707	TC7SH08FUS1
C	3072,3153,3156,3158	CKSRYB104K16	△ IC	2413,2983	NJM2845DL1-05
C	3081,3181,3281,3381	CKSSYB104K10	IC	2414,2602,2603	TC74VHC125FTS1
C	3082,3182,3282,3382	CKSSYB471K50	IC	2601	BU9450KV
C	3104,3106	CCSRCH271J50	△ IC	2604	AAT4618IGV-0.5-1
C	3107,3108,3207,3208	CFHXSQ103J16	IC	2701	DSPA56720AG
C	3152,3171,3252,3271	CCSRCH471J50	IC	2702	AYW7234
C	3157,3175,3201,3202	CCSRCH102J50	IC	2703	HY57V641620FTP-6
C	3159,3170,3259,3270	CKSRYB103K50	IC	2704,2705	TC74LCX573FTS1
C	3160,3168,3260,3268	CKSRYB105K16	△ IC	2706	NJM2872BF33
C	3162,3164,3166,3172	CKSRYB104K16	△ IC	2710	NJM2846DL3-33
C	3163,3255,3263,3355	ACH7268	△ IC	2711	PQ1LAX95MSPQ
C	3203-3206,3303-3306	CCSRCH331J50	△ IC	2712	RP131H101D
C	3209,3210,3309,3310	ACH7196	△ IC	2713	NJM2846DL3-25
C	3213,3214,3313,3314	CFHXSQ472J16	IC	2714	TC7SH32FUS1
C	3253,3256,3258,3262	CKSRYB104K16	IC	2801	DSPC56371AF180
C	3257,3275,3301,3302	CCSRCH102J50	IC	2802	PDC168A8
C	3264,3266,3272,3353	CKSRYB104K16	IC	2804,2806	TC74LCX08FTS1
C	3267,3361,3367	ACH7211	IC	2807	TC74VHC126FTS1
C	3307,3308	CFHXSQ103J16	IC	2901,2902,3401	NJM4565MD
C	3352,3371,3405,3406	CCSRCH471J50	IC	2951	PCM1804DB
C	3356,3358,3362,3364	CKSRYB104K16	△ IC	2981	NJM2391DL1-33
C	3357,3375	CCSRCH102J50	IC	3001,3101,3201,3301	RNB4580F
C	3359,3370,3456,3458	CKSRYB103K50	IC	3052,3152,3252,3352	WM8740SEDS
C	3360,3368	CKSRYB105K16	IC	3451	AK4387ET
C	3363	ACH7268	Q	2005,2008	RT1N241M
C	3365	CEHAZL221M10	Q	2006	RT3P22M
C	3366,3372,3452,3455	CKSRYB104K16	Q	2007	2SA1366
C	3401,3402	CEAT220M50	Q	2201	RT1N141M-11
C	3403,3404	CCSRCH391J50	Q	2202	2SA1602A
C	3407,3408	CKSRYB104K25	Q	2203	RT1P431M
C	3409,3410	CEAT100M50	Q	2205,2207,2208	RT1P241M
C	3453,3454	CEAT470M16	D	2001,2003,2951,2952	MC2848-11
C	3457,3460	CKSRYB104K16	D	2002	RB520S-30
C	3459	CCSRCH471J50	△ D	2004,2005	MC2848-11
C	3461	CKSSYB104K10	D	2201	1SS357
			D	2601,2602	HZU5R6(B2)
			D	2701-2704	1SR154-400
			D	2953,2954	MC2846-11

B D-MOTHER ASSY (SC-05)

SEMICONDUCTORS

IC	2001	PEG489B8
IC	2002,2003,2203,2204	TC4094BFN
IC	2005	BU4842F
IC	2006	TC74LCX244FTS1

MISCELLANEOUS

L	2001	CHIP SOLID INDUCTOR	QTL1013
L	2002,2003	CHIP SOLID INDUCTOR	ATL7002
L	2404-2409	CHIP SOLID INDUCTOR	QTL1013
L	2411-2416	CHIP SOLID INDUCTOR	QTL1013
L	2601	CHIP SOLID INDUCTOR	ATL7002

<u>Mark No.</u>	<u>Description</u>	<u>Part No.</u>	<u>Mark No.</u>	<u>Description</u>	<u>Part No.</u>
C 2028		CKSRYP473K50	C 2804,2806,2808,2810		CKSSYP104K10
C 2029,2031,2038,2041		CKSRYP104K16	C 2805,2807,2809,2811		CKSSYP471K50
			C 2812,2814,2816,2819		CKSSYP104K10
C 2037,2929,2952,2984		CEHAZL101M25	C 2813,2815,2818,2820		CKSSYP471K50
C 2046,2209,2210,2217		CKSRYP104K16	C 2821,2823,2825,2829		CKSSYP104K10
C 2050-2054,2056-2065		CCSSCH100D50	C 2822,2824,2831,2833		CKSSYP471K50
C 2201,2426,2827		ACH7272	C 2826,3063,3163,3263		ACH7268
C 2202,2204,2205,2208		CCSSCH471J16	C 2830,2832,2834,2836		CKSSYP104K10
C 2206,2965,3071,3171		CCSRCH471J50	C 2835,2837,2838		CKSSYP471K50
C 2216		CEAT102M10	C 2839,3461		CKSSYP104K10
C 2222,2224-2226,2228		CKSSYP104K10	C 2903,2904		DCH1201
C 2227,2402,2404		CKSRYP104K16	C 2905-2908,3109,3110		ACH7196
C 2230,2414,2421,2425		CKSSYP104K10	C 2911,2912,2915,2916		CKSQYB103K50
C 2407-2413,2417,2450		CKSRYP104K16	C 2913,2914		CCSRCH101J50
C 2415,2429,2431,2433		CKSSYP471K50	C 2928,2953,2955,2958		CKSRYP104K16
C 2416,2419,2422,2458		CEHAZL101M10	C 2959,2964,3059,3070		CKSRYP103K50
C 2418,2420,2424,2747		CCSSCH471J16	C 2960,2981,2995		CEHAZL101M10
C 2423		CKSRYP474K10	C 2961-2963,2966,2983		CKSRYP104K16
C 2428,2430,2432,2434		CKSSYP104K10	C 2985,2986,3407,3408		CKSRYP104K25
C 2436,2438,2440,2448		CKSSYP104K10	C 2987		CEHAZL101M25
C 2437,2439,2447,2449		CKSSYP471K50	C 2994,3058,3062,3064		CKSRYP104K16
C 2451,2785		ACH7273	C 3003-3006,3103,3105		CCSRCH331J50
C 2452,2461,2464		CKSSYP104K10	C 3007,3008,3107,3108		CKSQYB103K50
C 2453,2456,2604,2606		CKSRYP104K16	C 3066,3072,3158,3162		CKSRYP104K16
C 2455,2732,2781,2783		CEHAZL221M10	C 3067,3161,3167,3261		ACH7211
C 2462,2463,2615,2701		CKSSYP471K50	C 3101,3102,3201,3202		CCSRCH102J50
C 2601		CKSRYP105K10	C 3104,3106		CCSRCH271J50
C 2603,2605		CEAT101M10	C 3112,3211,3212,3311		CKSRYP472K50
C 2607		CKSRYP471K50	C 3159,3170,3259,3270		CKSRYP103K50
C 2608-2610,2614,2616		CKSSYP104K10	C 3160,3168,3260,3268		CKSRYP105K16
C 2611,2780,2901,2902		CKSRYP104K16	C 3164,3166,3172,3258		CKSRYP104K16
C 2612		CCSSCH150J50	C 3203-3206,3303-3306		CCSRCH331J50
C 2613		CCSSCH120J50	C 3207,3208,3307,3308		CKSQYB103K50
C 2626-2629,2702,2705		CKSSYP104K10	C 3209,3210,3309,3310		ACH7196
C 2703,2704,2706,2707		CKSSYP471K50	C 3262,3264,3266,3272		CKSRYP104K16
C 2708,2710,2712,2714		CKSSYP104K10	C 3267,3361,3367		ACH7211
C 2709,2711,2713		CKSSYP471K50	C 3271,3371,3405,3406		CCSRCH471J50
C 2715-2717,2719,2721		CKSSYP471K50	C 3301,3302		CCSRCH102J50
C 2718,2720,2723,2725		CKSSYP104K10	C 3312		CKSRYP472K50
C 2722,2724,2726,2727		CKSSYP471K50	C 3358,3362,3364,3366		CKSRYP104K16
C 2728,2737,2744,2746		CKSSYP104K10	C 3359,3370,3456,3458		CKSRYP103K50
C 2729,2736,2743,2745		CKSSYP471K50	C 3360,3368		CKSRYP105K16
C 2730,2734		CKSQYB474K25	C 3363		ACH7268
C 2731		CKSQYB225K16	C 3365		CEHAZL221M10
C 2733		ACH7203	C 3372,3452,3455,3457		CKSRYP104K16
C 2735,2779,2851,2852		CKSQYB475K10	C 3401,3402		CEAT220M50
C 2748,2750,2751,2753		CKSSYP105K6R3	C 3403,3404		CCSRCH391J50
C 2749,2752,2754		CCSSCH102J50	C 3409,3410		CEAT100M50
C 2755,2791,2796		CKSSYP105K6R3	C 3453,3454		CEAT470M16
C 2756,2758,2760,2761		CKSSYP104K10	C 3459		CCSRCH471J50
C 2757,2759,2764,2766		CCSSCH471J16	C 3460		CKSRYP104K16
C 2763,2765,2770,2771		CKSSYP104K10			
C 2769,2772,2801,2803		CKSSYP471K50			
C 2773-2776,2786-2790		CKSSYP104K10			
C 2777,2778,2993		CKSQYB225K10			
C 2782,2956,2957,3061		ACH7211			
C 2784,3065,3165,3265		CEHAZL221M10			
C 2792-2795		CCSSCH102J50			
C 2797,2798,2800,2802		CKSSYP104K10			
C 2799		VCH1234			

**C FRONT IN ASSY
SEMICONDUCTORS**

IC 6201	NJM4565MD
Q 6201	HN1C01FU
D 6201,6202,6204,6351	1SS302
D 6203,6205,6206	UDZS5R1(B)
D 6303,6304	UMZU6.2N

Mark No.	Description	Part No.
MISCELLANEOUS		
L 6201	CHIP SOLID INDUCTOR	QTL1013
JA 6201	JACK	RKN1004
JA 6202	FRONT AV INPUT	AKX7019
JA 6301	USB CONNECTOR	XKP3086
JA 6351	PHONE JACK	AKN7029
KN 6201,6202	WRAPPING TERMINAL	VNF1084
KN 6351	WRAPPING TERMINAL	VNF1084
CN 6201	PLUG(3P)	KM200NA3
CN 6202	CONNECTOR	CKS3380
CN 6301	PLUG(5P)	KM200NA5

RESISTORS		
All Resistors		RS1/16S###J

MISCELLANEOUS		
JH 6302	PCB BINDER	VEF1040

CAPACITORS		
C 6202,6208,6218,6224		CKSRBYB104K16
C 6204,6220,6226,6228		CKSRBYB103K50
C 6205,6206		CKSRBYB221K50
C 6209		CKSRBYB105K6R3
C 6210,6211,6234,6235		CEAT100M50
C 6212,6351		CKSRBYB471K50
C 6213		CKSQYB106K6R3
C 6214-6216,6249-6251		CCSRCH101J50
C 6219		CEJQ100M16
C 6222,6227		CCSRCH220J50
C 6223,6225		CEAT330M25
C 6229		CKSRBYB102K50
C 6230-6232,6239,6246		CKSRBYB103K50
C 6233		CKSRBYB472K50
C 6236,6245,6247		CKSRBYB104K16
C 6237		CEAT100M50
C 6240-6242,6356		CCSRCH102J50
C 6243,6244		CEAL220M16
C 6248,6352		CKSRBYB103K50
C 6303		CKSRBYB104K25
C 6353,6354		CKSRBYB822K50

D 232C & CONTROL ASSY

SEMICONDUCTORS		
IC 5801		HIN202EIBNZ
Q 5801		2SC4154
Q 5802		DTA114TUA
Q 5806		2SA1366
Q 5807		RT1N241M
D 5804,5805		1SS352
D 5806,5807		1SS357
D 5809,5810		SIM-20STS1
D 5813,5814		MC2848-11
D 5815,5816		HZU5R1(B2)
D 5858		1SS302
MISCELLANEOUS		
L 5803-5807	CHIP SOLID INDUCTOR	QTL1013
L 5809-5811	CHIP SOLID INDUCTOR	QTL1013
JA 5801	9P D-SUB SOCKET	AKP1213

Mark No.	Description	Part No.
JA 5802,5804-5806	JACK	VKB1243
JA 5803	MINI JACK(4P) AW SW	XKN3015
JA 5807	SOCKET	BKP1127
KN 5801	SCREW PLATE	VNE1948
CN 5801	23P SOCKET	XKP3082

RESISTORS		
All Resistors		RS1/16S###J

MISCELLANEOUS		
U 5801	REMOTE RECEIVER UNIT	GP1UE284QKC1

CAPACITORS		
C 5802,5811,5828,5852		CKSRBYB103K50
C 5803		CCSRCH331J50
C 5804,5805		CKSRBYB102K50
C 5807-5810		CKSRBYB104K16
C 5812,5829		CEAT101M16
C 5830,5831		CKSRBYB471K50
C 5832-5834		CCSRCH100D50
C 5857,5858		CEAT220M50

E HDMI NETWORK ASSY (SC-07)

SEMICONDUCTORS		
△ IC 11		NJM2846DL3-33
△ IC 21		NJM2846DL3-18
△ IC 31		NJM2886DL3-33
IC 101		SII9135CTU
IC 201		TC74VHC541FTS1
IC 202		ICS571MLF
IC 203		TC7WH74FU
IC 204,205,208		TC7WH157FU
IC 251		TC74VHC157FTS1
IC 252		TC7SH08FUS1
IC 301,351		SII9134CTU
△ IC 302,352		NJM2872BF05
IC 401		ADV7800BSTZ-80
IC 402		TC7WHU04FU
IC 501		PEG118A
IC 502		AYW7254
IC 504		BU4094BCFV
IC 505,911,1871		TC74VHC08FTS1
IC 601		ADV7172KSTZ
NSP IC 701		DM850E
NSP IC 791		341S2154
IC 801		AAT4618IGV-0.5-1
IC 861		RTL8201CP-LF
IC 881		AYW7255
IC 891		HY57V281620FTP-6
IC 921,1861		TC74VHCT08AFTS1
△ IC 1001		TPS54350PWP
△ IC 1021		LTC3850EGN
△ IC 1051		LT3505EMS8E
△ IC 1071		NJM2885DL1-05
IC 1081		TC7WH125FU
IC 1082		TC7WT125FU
IC 1151		SII9185ACTU
IC 1204		S-24CS02AFT
IC 1208		TC7MB3257FK
IC 1301		FLI2310-LF-CF

Mark No.	Description	Part No.	Mark No.	Description	Part No.
IC 1351		M12L64322A-6TG	L 1401-1404	CHIP SOLID INDUCTOR	QTL1013
IC 1381,1383,1384,1402		TC74LCX541F5T1	L 1701-1706,1902	FERRITE CORE	VTF1091
IC 1382,1401,1403		TC7SZ125FU	L 1821,1831	INDUCTOR	ATL7015
IC 1404		TC74LCX541F5T1	L 1861,1871	CHIP SOLID INDUCTOR	QTL1013
IC 1701		UPD61111GM-100UEVA	L 1951	FERRITE CORE	VTF1091
△ IC 1702		NJM2885DL1-15	JA 301,351	HDMI CONNECTOR	AKP7225
IC 1703		KA5SDKAS01TSN	JA 701	RJ45 CONNECTOR TRNS	VKN2078
IC 1901		K4H561638H-UCB3	JA 1101-1104	HDMI CONNECTOR	AKP7225
△ IC 1902		S-1132B25-U5	X 101	CRYSTAL RESONATOR (28.322 MHz)	ASS7085
IC 1903		NJM12904V	X 401	CRYSTAL RESONATOR (28.63636 MHz)	ASS7069
IC 1951		AYW7232	X 501	CERAMIC RESONATOR (15.7 MHz)	XSS3004
Q 201		RT1P241M	X 701	CRYSTAL RESONATOR (24.576 MHz)	XSS3003
Q 301,351,1104,1203		DTC114YUA	X 702	CRYSTAL RESONATOR (25.0 MHz)	ASS7084
Q 302,352		UMB1N	X 791	CRYSTAL OSCILLATOR (32.768 kHz)	ASS1172
Q 631,641,651,661		2SA1602A	X 1301	CRYSTAL RESONATOR (13.5 MHz)	ASS7070
Q 671,681,1801,1811		2SA1602A	X 1701	CRYSTAL RESONATOR (27.0000 MHz)	BSS1123
△ Q 1001		RTQ045N03	CN 201	23P SOCKET	XKP3083
△ Q 1021,1022		SP8K1	CN 502	13P SOCKET	XKP3077
Q 1204		DTC114YUA	CN 601	CONNECTOR	CKS4898
Q 1281		HN1K02FU	CN 801	CONNECTOR	AKM1276
Q 1821,1831		2SA1602A	CN 902	5P CONNECTOR	VKN1374
D 301,351		UDZS5R1(B)	CN 1001	CONNECTOR	CKS3815
D 551,1701		RB501V-40	CN 1002	15P SOCKET	XKP3078
△ D 1001		RLZ6.8B	CN 1003	CONNECTOR	CKS1755
D 1021,1022,1052		RB160VA-40	CN 1701	22P CONNECTOR	VKN1426
△ D 1023,1024		RLZ5.6B	CN 1702	CONNECTOR	VKN2040
D 1051		RB160M-30	JH 1	PCB BINDER	VEF1040
D 1101-1104		DAN202U			
D 1861		1SS352			
MISCELLANEOUS			RESISTORS		
L 101-104,301-305	CHIP BEADS	ATL7010	R 101,103-105,108		RAB4CQ100J
L 105,106	CHIP SOLID INDUCTOR	QTL1013	R 115,204		RAB4CQ680J
L 201	INDUCTOR	CTF1379	R 119,320,322-330		RAB4CQ473J
L 202-204	CHIP SOLID INDUCTOR	QTL1013	R 130-132,134-136		RAB4CQ100J
L 207,208	CHIP SOLID INDUCTOR	QTL1013	R 141-144		ACN1275
L 251,252	CHIP SOLID INDUCTOR	QTL1013	R 305,355,609,612		RS1/16SS6800F
L 306-309,356-359	COIL	ATH7022	R 428,429,789		RAB4CQ330J
L 351-355,401,402	CHIP BEADS	ATL7010	R 432,433,1385-1388		RAB4CQ470J
L 403,405	CHIP SOLID INDUCTOR	QTL1013	R 434,437,442,443		RAB4CQ473J
L 404,406,1001,1021	CHIP BEADS	ATL7010	R 446,447,450,708		RAB4CQ473J
L 501,601	CHIP SOLID INDUCTOR	ATL7002	R 464,465,467,468		RAB4CQ472J
L 602	CHIP SOLID INDUCTOR	ATL7002	R 480-483,741,761		RAB4CQ220J
L 631,641,651,661	INDUCTOR	ATL7015	R 596		RAB4CQ101J
L 671,681,1801,1811	INDUCTOR	ATL7015	R 610,611		RS1/16SS5601F
L 701,702,805,861	INDUCTOR	CTF1357	R 633,643,653,663		RS1/16SS2200F
L 704-707	CHIP FERRITE BEADS	ATF1211	R 634,644,654,664		RS1/16SS4700F
L 801	CHIP FERRITE BEADS	VTL1169	R 673,683,1702		RS1/16SS2200F
L 802	COIL	VTH1043	R 674,684		RS1/16SS4700F
L 862,871,881,891	INDUCTOR	CTF1357	R 723		RS1/16S5101F
L 863,864	COIL	VTH1056	R 724		RS1/16S3900F
L 911,936	INDUCTOR	CTF1357	R 746,747,749		RAB4CQ100J
L 1002	POWER INDUCTOR	ATH7059	R 769,771,1322-1324		RAB4CQ220J
L 1022	INDUCTOR	CTH1261	R 806,977,1031		RS1/16S0R0J
L 1023	INDUCTOR	ATH7060	R 824		RS1/16SS1003F
L 1051,1151-1153	CHIP BEADS	ATL7010	R 851-854,1906,1907		RAB4CQ330J
L 1052	INDUCTOR	ATH7061	R 867		RS1/16S2001F
L 1097-1099	INDUCTOR	CTF1386	R 868-871		RS1/16S49R9F
L 1301-1305	CHIP SOLID INDUCTOR	ATL7002	R 919		RS1/10S102J
L 1351,1901	CHIP SOLID INDUCTOR	ATL7002	R 1009,1056		RS1/16SS1002F
L 1381-1384	CHIP SOLID INDUCTOR	QTL1013	R 1011		RS1/16SS2001F

Mark No.	Description	Part No.
L 602	CHIP SOLID INDUCTOR	ATL7002
L 631,641,651,661	INDUCTOR	ATL7015
L 671,681,1821	INDUCTOR	ATL7015
L 701,702,805,861	INDUCTOR	CTF1357
L 704-707	CHIP FERRITE BEADS	ATF1211
L 801	CHIP FERRITE BEADS	VTL1169
L 802	COIL	VTH1043
L 862,871,881,891	INDUCTOR	CTF1357
L 863,864	COIL	VTH1056
L 911,936	INDUCTOR	CTF1357
L 1001,1021,1051	CHIP BEADS	ATL7010
L 1002	POWER INDUCTOR	ATH7059
L 1022	INDUCTOR	CTH1261
L 1023	INDUCTOR	ATH7060
L 1052	INDUCTOR	ATH7061
L 1097-1099	INDUCTOR	CTF1386
L 1151-1153	CHIP BEADS	ATL7010
L 1301-1305	CHIP SOLID INDUCTOR	ATL7002
L 1351,1901	CHIP SOLID INDUCTOR	ATL7002
L 1381-1384	CHIP SOLID INDUCTOR	QTL1013
L 1401-1404	CHIP SOLID INDUCTOR	QTL1013
L 1701-1706,1902	FERRITE CORE	VTF1091
L 1861,1871	CHIP SOLID INDUCTOR	QTL1013
L 1951	FERRITE CORE	VTF1091
JA 351,1101-1104	HDMI CONNECTOR	AKP7225
JA 701	RJ45 CONNECTOR TRNS	VKN2078
X 101	CRYSTAL RESONATOR (28.322 MHz)	ASS7085
X 401	CRYSTAL RESONATOR (28.63636 MHz)	ASS7069
X 501	CERAMIC RESONATOR (15.7 MHz)	XSS3004
X 701	CRYSTAL RESONATOR (24.576 MHz)	XSS3003
X 702	CRYSTAL RESONATOR (25.0 MHz)	ASS7084
X 791	CRYSTAL OSCILLATOR (32.768 kHz)	ASS1172
X 1301	CRYSTAL RESONATOR (13.5 MHz)	ASS7070
X 1701	CRYSTAL RESONATOR (27.0000 MHz)	BSS1123
CN 201	23P SOCKET	XKP3083
CN 502	13P SOCKET	XKP3077
CN 601	CONNECTOR	CKS4898
CN 801	CONNECTOR	AKM1276
CN 902	5P CONNECTOR	VKN1374
CN 1001	CONNECTOR	CKS3815
CN 1002	15P SOCKET	XKP3078
CN 1003	CONNECTOR	CKS1755
CN 1701	22P CONNECTOR	VKN1426
CN 1702	CONNECTOR	VKN2040
JH 1	PCB BINDER	VEF1040

RESISTORS

R 101,103-105,108	RAB4CQ100J
R 115,204	RAB4CQ680J
R 119,320,322-330	RAB4CQ473J
R 130-132,134-136	RAB4CQ100J
R 141-144	ACN1275
R 355,609,612	RS1/16SS6800F
R 428,429,789	RAB4CQ330J
R 432,433,1385-1388	RAB4CQ470J
R 434,437,442,443	RAB4CQ473J
R 446,447,450,708	RAB4CQ473J
R 464,465,467,468	RAB4CQ472J
R 480-483,741,761	RAB4CQ220J

Mark No.	Description	Part No.
R 596		RAB4CQ101J
R 610,611		RS1/16SS5601F
R 633,643,653,663		RS1/16SS2200F
R 634,644,654,664		RS1/16SS4700F
R 673,683,1702		RS1/16SS2200F
R 674,684		RS1/16SS4700F
R 723		RS1/16S5101F
R 724		RS1/16S3900F
R 746,747,749		RAB4CQ100J
R 769,771,1322-1324		RAB4CQ220J
R 806,977,1031		RS1/16S0R0J
R 824		RS1/16SS1003F
R 851-854,1906,1907		RAB4CQ330J
R 867		RS1/16S2001F
R 868-871		RS1/16S49R9F
R 919		RS1/10S102J
R 1009,1056		RS1/16SS1002F
R 1011		RS1/16SS2001F
R 1016,1029,1030,1057		RS1/10S0R0J
R 1021,1022,1025,1026		ACN7160
R 1023		RS1/16SS4702F
R 1024,1027		RS1/16SS1502F
R 1028		RS1/16SS1202F
R 1055		RS1/16SS6802F
R 1071-1074,1905		RS1/16S0R0J
R 1158,1159		RS1/16SS1501F
R 1314-1317,1352		RAB4CQ100J
R 1327,1354-1361,1717		RAB4CQ220J
R 1389,1729,1730,1740		RAB4CQ560J
R 1403,1404,1409,1410		RAB4CQ0R0J
R 1405,1406,1411,1412		RAB4CQ470J
R 1701,1901,1902		RS1/10S0R0J
R 1703		RS1/16SS1500F
R 1706,1707		RS1/16SS9100F
R 1718		RAB4CQ220J
R 1726		RAB4CQ0R0J
R 1741,1743,1748,1754		RAB4CQ560J
R 1755		RAB4CQ560J
R 1792-1794		RAB4CQ473J
R 1822,1823		RS1/16SS8200F
R 1824		RS1/16SS3900F
R 1903,1904		RS1/16SS1001F
R 1914,1915		RAB4CQ330J
Other Resistors		RS1/16SS###J

CAPACITORS

C 11,31,372,801	CKSRYB104K16
C 12,32,1072	CKSQYB225K10
C 21,106-108,110	CKSSYB104K10
C 22,1702	CKSQYB475K6R3
C 23,1703,1705,1906	CEVW221M4
C 33	CEVW101M6R3
C 101,102,351,352	DCH1165
C 103,104,353-355	CKSQYB106K6R3
C 105,113,121,122	CKSSYB105K6R3
C 109,111,131,203	CKSSYB103K16
C 114-120,123-126	CKSSYB104K10
C 127,463,740,1339	CCSSCH120J50
C 128,462,741	CCSSCH100D50
C 129,130,133,356	CKSSYB105K6R3

<u>Mark No.</u>	<u>Description</u>	<u>Part No.</u>	<u>Mark No.</u>	<u>Description</u>	<u>Part No.</u>
C 132,134-139,201		CKSSYB104K10	C 1001		CKSQYB104K25
C 140-153,155,156		CKSSYB471K50	C 1002		CEW101M25
C 202		CEW4R7M35	C 1003,1004,1021,1022		CCG1195
C 204,360,412,414		CKSSYB103K16	C 1005,1011		CKSRYP682K25
C 206-208,211,251		CKSSYB104K10	C 1006,1039		CCSRCH681J50
C 210,383-386		CKSSYB471K50	C 1007,1029-1031,1041		CKSRYP104K25
C 216-218,252,421		CKSSYB102K50	C 1008		CKSQYB105K16
C 219,220,369		VCG1063	C 1009,1052,1151,1156		BCG1059
C 253,357,359,362		CKSSYB104K10	C 1023,1027		CCG1233
C 358,361,363-365		CKSSYB105K6R3	C 1024,1026		CKSQYB475K10
C 366,367,374,403		CKSSYB104K10	C 1025,1028		CCSRCH101J50
C 368,404,433,505		CKSSYB105K6R3	C 1035,1040		CKSRYP223K16
C 370,371,1032		CKSRYP105K10	C 1036		CKSRYP222K50
C 375-382		VCG1066	C 1037		CCSRCH470J50
C 401,402,419,434		CEW101M16	C 1038		CCSRCH121J50
C 405-411,418,420		CKSSYB104K10	C 1042,1053		CKSRYP104K25
C 413		CKSSYB823K10	C 1051		CKSQYB105K25
C 415		CKSRYP824K10	C 1054		CCSSCH220J50
C 416		CKSSYB393K10	C 1056		CCSRCH151J50
C 417,430,432,1157		CKSQYB106K6R3	C 1071,1099,1701,1710		CKSRYP104K16
C 422-429,431,437		CKSSYB104K10	C 1082,1152-1155		CKSSYB104K10
C 435,436,501,613		CKSSYB103K16	C 1101-1104,1352,1363		VCG1063
C 438,441-443		CKSSYB104K10	C 1158-1165,1167,1207		CKSSYB104K10
C 439,440,1303,1704		DCH1201	C 1166,1313		CKSSYB103K16
C 445-449,461,502		CKSSYB104K10	C 1208,1306,1308-1312		CKSSYB104K10
C 481-485,619-622		CKSSYB471K50	C 1319-1322,1324-1332		CKSSYB104K10
C 503,601,611,802		CEW101M16	C 1323,1333,1334		CKSSYB471K50
C 504,506,511,551		CKSSYB104K10	C 1335-1338,1341		CKSSYB104K10
C 512,735,1033,1034		CKSSYB102K50	C 1340		CCSSCH120J50
C 552,602-609,612		CKSSYB104K10	C 1342,1708		CEW101M16
C 610,791,1314-1318		CKSSYB105K6R3	C 1343-1350,1364-1368		CKSSYB471K50
C 614,615,617,631		CKSSYB104K10	C 1351		ACH7174
C 632,642,652,662		CCSSCH101J50	C 1353-1362,1747		CKSSYB105K6R3
C 633,643,653,663		CCSSCH560J50	C 1369		CKSRYP103K25
C 641,651,661,671		CKSSYB104K10	C 1381-1384,1401-1404		CKSSYB104K10
C 672,682,951		CCSSCH101J50	C 1385-1388,1405-1408		CKSSYB471K50
C 673,683		CCSSCH560J50	C 1399		VCG1063
C 681,701,702		CKSSYB104K10	C 1706,1709,1904,1905		DCH1201
C 704-709,711-717		CKSSYB104K10	C 1711-1717,1719-1721		CKSSYB104K10
C 710,742,743		CEW100M16	C 1723-1727,1729-1736		CKSSYB104K10
C 718,721,744-750		CKSSYB471K50	C 1738,1739,1743,1745		CKSSYB104K10
C 719,722,724-734		CKSSYB104K10	C 1740,1741		CCSSCK1R0C50
C 720,867,870,883		CEW220M16	C 1742		CKSSYB102K50
C 723,936		CEW470M6R3	C 1746,1821,1861,1871		CKSSYB104K10
C 736-739,861-865		CKSSYB104K10	C 1748-1754,1917-1922		CKSSYB471K50
C 792,860,866,869		CKSSYB471K50	C 1822,1823		CCSSCH470J50
C 803-805,1014,1057		CKSRYP104K16	C 1901-1903		CKSQYB225K10
C 807,1301,1302,1305		CEW101M16	C 1907-1915		CKSSYB105K6R3
C 868,871,872,874		CKSSYB104K10	C 1916,1951		CKSSYB104K10
C 873		CEW330M16			
C 875,1015,1046,1047		CCSRCH102J50			
C 881,895,897-899		CKSSYB471K50			
C 882,891-894,900		CKSSYB104K10			
C 911,922,950,1081		CKSSYB104K10			
C 912,921,1168-1175		CKSSYB471K50			
C 934,935,937,938		CKSSYB103K16			
C 939		CCSSCH180J50			
C 940		CCSSCH150J50			
C 946		CSZS330M6R3			

F INTERFACE ASSY
SEMICONDUCTORS

△ D 7101

D3SBA20(B)

MISCELLANEOUS

H 7101,7102 FUSE CLIP

AKR7001

J 7061 JUMPER WIRE

D20PDY0415E

KN 7001-7006 WRAPPING TERMINAL

VNF1084

CN 7001 7P PLUG

XKP3063

Mark No.	Description	Part No.
CN 7002,7005,7006	CONNECTOR	CKS1730
CN 7003,7004	CONNECTOR	CKS1727
CN 7007	PLUG	CKS1724
CN 7008,7014,7021	23P PLUG	XKP3071
CN 7009,7013	CONNECTOR	CKS3813
CN 7011	15P PLUG	XKP3067
CN 7012	CONNECTOR	CKS1721
CN 7031	27P CONNECTOR	VKN1258
CN 7032,7042	CONNECTOR	CKS3384
CN 7041	CONNECTOR	CKS3386
CN 7051	CONNECTOR	CKS3382
CN 7062	CONNECTOR	CKS3380
CN 7101	2P TOP POST	B2B-EH

RESISTORS

All Resistors RS1/16S###J

MISCELLANEOUS

JH 7002-7005	PCB BINDER	VEF1040
JH 7061	4P CABLE HOLDER	51048-0400
JP 7071	4P HOUSING ASSY	ADX7676
JP 7102	HOUSING ASSY	ADX7635
JP 7103	HOUSING ASSY	ADX7634
JP 7104	HOUSING ASSY	ADX7636

CAPACITORS

C 7101	CFTLA394J50
C 7102,7105-7109	CCSRCH102J50
C 7104	CEAT682M25

G COMPONENT ASSY SEMICONDUCTORS

IC 6001-6004	TC74LVX4052FT
IC 6005	TC74LVX4053FT
IC 6006	LA7213
IC 6007,6008	NJM2581M
IC 6009,6012	TC4094BFN
IC 6010,6013-6015	TC74VHCT08AFTS1
Q 6001-6007,6017,6018	2SA1602A
Q 6008,6019,6021	RT1N241M
△ Q 6015	2SC4154
△ Q 6016	2SA1602A
Q 6020	2SA1602A
D 6001	1SS352
D 6002,6003	RR264M-400
D 6010	UDZ5R1(B)

MISCELLANEOUS

L 6001	CHIP SOLID INDUCTOR	ATL7002
JA 6001	PIN JACK(3P)	AKB7203
JA 6002,6003	PIN JACK(6P)	AKB7204
JA 6004	JACK	AKN-209
KN 6001	SCREW PLATE	VNE1948
CN 6002	PLUG	CKS3545
CN 6004	13P PLUG	XKP3066
CN 6006	16P CONNECTOR	VKN1420
CN 6007	5P HOUSING ASSY	ADX7654
CN 6008	5P HOUSING ASSY	ADX7674
CN 6009	30P SOCKET	XKP3092

RESISTORS

Mark No.	Description	Part No.
R 6007,6012,6017	Other Resistors	RS1/16S1103D
		RS1/16S###J

CAPACITORS

C 6004,6048,6049,6060	CCSRCH102J50
C 6012,6013,6016,6017	CKSRYB103K50
C 6018,6021,6024	CEAT100M50
C 6019,6020,6022,6023	CKSRYB103K50
C 6025	CEAT3R3M50
C 6026,6027,6111,6112	CKSRYB103K50
C 6028,6038,6039	CEAT101M10
C 6043-6045,6050,6051	CEAT101M10
C 6046,6047,6058,6059	CKSRYB105K10
C 6055-6057	CEAT101M10
C 6061,6065,6069,6071	CCSRCH102J50
C 6064,6070,6072,6074	CKSRYB105K10
C 6068	CKSRYB105K16
C 6073,6075,6085,6087	CCSRCH102J50
C 6084,6086,6088,6091	CKSRYB105K10
C 6089,6092,6095,6100	CCSRCH102J50
C 6090,6093,6096,6103	CEAT101M16
C 6094,6099,6101,6105	CKSRYB105K10
C 6097,6098	CKSRYB224K10
C 6102,6106,6108,6138	CCSRCH102J50
C 6104,6143,6144,6174	CEAT101M16
C 6107,6137,6147,6148	CKSRYB105K10
C 6110,6115-6117	CKSRYB104K16
C 6113,6114,6121-6124	CCSRCH100D50
C 6125-6136,6184	CKSRYB103K50
C 6146,6149,6150,6153	CCSRCH102J50
C 6151,6152,6155,6157	CKSRYB105K10
C 6154,6156,6159,6160	CCSRCH102J50
C 6158,6161,6162,6165	CKSRYB105K10
C 6163,6164,6172,6173	CCSRCH102J50
C 6175,6181,6197-6199	CCSRCH100D50
C 6176,6177,6179,6180	CEAT101M16
C 6182,6183	CEAT101M16
C 6185,6187	CKSRYB105K10
C 6186,6188,6196	CCSRCH102J50
C 6189-6191	CEAT100M50

H COMPOSITE ASSY SEMICONDUCTORS

IC 6501,6512	TC4094BFN
IC 6502,6513	LA7109
IC 6505,6506,6508,6509	TC74HC4051AFT
IC 6510	LA7213
IC 6511	TC74HC4053AFT
IC 6516-6518	NJM2505AF
Q 6501-6508	IMX25
Q 6509	2SA1602A
Q 6510	RT1N241M
Q 6516,6524,6525	2SC4154
D 6501	1SS352
D 6502,6503	RR264M-400
D 6504-6508	DAN217U

MISCELLANEOUS

JA 6501,6502	PIN JACK(4P)	XKB3017
JA 6503	COMB.JACK(S+1P)	AKB7199

Mark No.	Description	Part No.
JA 6504-6507	COMB.JACK(2S+2P)	AKB7200
JA 6509	JACK	XKB3069
KN 6501-6503	SCREW PLATE	VNE1948
CN 6501	CONNECTOR	CKS3374
CN 6502	19P CONNECTOR	52044-1945
CN 6503	PLUG	CKS3545

RESISTORS

All Resistors RS1/16S###J

CAPACITORS

C 6501,6503,6509,6547 CKSRYB105K10
 C 6502,6504,6506,6508 CCSRCH102J50
 C 6505,6507,6670-6673 CKSRYB105K16
 C 6510,6548,6550-6555 CCSRCH102J50
 C 6511,6512,6519,6520 CCSRCH101J50

C 6517,6518,6525,6526 CCSRCH331J50
 C 6527,6528,6535,6536 CCSRCH101J50
 C 6533,6534,6541,6542 CCSRCH331J50
 C 6544,6599,6600,6605 CKSRYB103K50
 C 6549,6556,6558,6567 CEAT101M10

C 6557,6559,6566,6568 CKSRYB104K16
 C 6560-6565,6576,6578 CCSRCH181J50
 C 6581,6586,6587,6601 CEAT101M10
 C 6584,6585 CCSRCH181J50
 C 6598 CEAT100M50

C 6602-6604,6641,6643 CKSRYB104K16
 C 6606,6608,6609,6611 CKSRYB103K50
 C 6607,6610,6613 CEAT220M50
 C 6612,6648,6694,6698 CKSRYB103K50
 C 6620,6621,6662-6667 CEAT101M16

C 6624 CKSRYB105K10
 C 6625,6634-6639,6660 CCSRCH102J50
 C 6640,6642 CEAT101M10
 C 6650-6655,6689 CCSRCH100D50
 C 6661,6668,6669,6674 CCSRCH102J50

C 6675,6679-6681 CCSRCH102J50
 C 6676-6678,6682-6684 CKSRYB105K16
 C 6685-6687,6692,6693 CCSRCH102J50
 C 6688 CEAT101M16
 C 6690,6691 CKSRYB105K16

C 6696,6697,6699,6700 CKSQYB106K6R3
 C 6701,6704 CKSRYB103K50
 C 6702,6703 CKSQYB106K6R3
 C 6708-6710,6712 CEAT220M50
 C 6714-6716 CEAT220M50

C 6717-6722 CKSRYB104K16

I FRONT BRIDGE ASSY

MISCELLANEOUS

CN 7701 PLUG(6P) KM200NA6R
 CN 7704 19P CONNECTOR 52044-1945
 CN 7705,7708 CONNECTOR CKS3374
 CN 7706 CONNECTOR CKS3378
 CN 7707 CONNECTOR CKS3382

CN 7709 PLUG(3P) KM200NA3
 CN 7710 27P CONNECTOR VKN1287
 7701 PCB BINDER VEF1040

Mark No.	Description	Part No.
----------	-------------	----------

RESISTORS

All Resistors RS1/16S###J

MISCELLANEOUS

JH 7702 PCB BINDER VEF1040

CAPACITORS

C 7702,7704 CCSRCH102J50
 C 7703 CKSRYB103K50
 C 7711-7714 CCSRCH100D50
 C 7715 CCSRCH181J50

J V-BRIDGE ASSY

MISCELLANEOUS

CN 8601,8602 CONNECTOR CKS3573

CAPACITORS

C 8602-8604 CKSRYB103K50

K DISPLAY ASSY

SEMICONDUCTORS

IC 8001 PDC179A8
 IC 8002 GP1UE274XKC1
 △ IC 8004 S-1200B33-M5
 IC 8201 PE5615A
 Q 8001-8007 RT1N431M

Q 8009 2SA1602A
 Q 8010 RT1N241M
 Q 8012 2SK2034
 D 8001,8003,8005,8007 SLR-343VC(NPQ)
 D 8009,8013 SLR343BC4T(JKLM)

D 8011 SLR343WBCT(MNPQ)
 D 8015,8016,8202 1SS352
 D 8017,8201 MC2848-11
 D 8019 RB751V-40
 D 8020 1SS302

MISCELLANEOUS

L 8201 INDUCTOR CTF1385
 J 9201 3P JUMPER WIRE D20PDD0305E
 J 9203 4PJUMPER WIRE D20PDD0410E
 KN 8201 FL HOLDER(FE) VNF1096
 V 8201 FL TUBE DISPLAY AAV7113

S 8001-8012,8015-8020 SWITCH VSG1024
 S 8023 SWITCH VSG1024
 S 8024 ROTARY ENCODER ASX7051
 X 8002 CRYSTAL OSCILLATOR CRYSTAL OSC (15.0 MHz) CSS1653
 X 8201 CERAMIC RESONATOR (5.00 MHz) VSS1142

CN 8001 29P CONNECTOR VKN1872
 CN 8002 9P CONNECTOR VKN1269

RESISTORS

All Resistors RS1/16S###J

MISCELLANEOUS

JH 8001 3P CABLE HOLDER 51048-0300
 JH 8003 4P CABLE HOLDER 51048-0400
 JH 8201 6P HOUSING ASSY ADX7675

CAPACITORS

C 8001-8007 CCSRCH101J50

Mark No.	Description	Part No.
C 8008		CCSRCH471J50
C 8009,8015,8016,8018		CKSRYPB104K16
C 8012,8013		CCSRCH150J50
C 8014,8030,8031,8228		CKSRYPB105K10
C 8019-8021,8202,8223		CKSRYPB102K50
C 8022,8023,8027,8034		CKSRYPB103K50
C 8024		CEJQ101M6R3
C 8025,8026,8232,8233		CCSRCH102J50
C 8032,8033,8036,8224		CKSRYPB104K16
C 8035,8222		CKSRYPB103K50
C 8037		CCSRCH151J50
C 8201,8230		CKSRYPB104K50
C 8203		CEAT101M35
C 8204-8220,8226		CKSRYPB471K50
C 8221		ACH7268
C 8225,8227		CKSRYPB104K16
C 8229		CKSRYPB102K50
C 8231		CEAT470M50

L VOL ASSY MISCELLANEOUS

S 8401 ROTARY ENCODER
JH 8401 3P CABLE HOLDER

ASX7049
51048-0300

CAPACITORS

C 8401,8402

CKSRYPB103K50

M POWER SW ASSY SEMICONDUCTORS

Q 8501
D 8502

RT1N431M
SLR343BC4T(JKLM)

MISCELLANEOUS

S 8501 SWITCH

VSG1024

RESISTORS

All Resistors

RS1/16S###J

MISCELLANEOUS

JH 8501 4P CABLE HOLDER

51048-0400

CAPACITORS

C 8501

CCSRCH101J50

N PRE BRIDGE ASSY MISCELLANEOUS

CN 6951 19P CONNECTOR
CN 6952 21P PLUG
CN 6953 FLOATING CONNECTOR

52044-1945
XKP3070
AKP7227

O ICE BUFFER ASSY SEMICONDUCTORS

IC 6800,6820,6840,6860
IC 6880,6900,6920

UPC4570G2-A
UPC4570G2-A

MISCELLANEOUS

J 6800 JUMPER WIRE
KN 6800,6801 SCREW PLATE
CN 6800 FLOATING CONNECTOR

D20PDY0410E
VNE1948
AKM7086

Mark No. Description

CN 6810 19P PLUG
CN 6820 17P PLUG

Part No.

XKP3069
XKP3068

CN 6830 5P SOCKET
JH 6800 4P CABLE HOLDER

XKP3073
51048-0400

RESISTORS

R 6810,6811,6830,6831
R 6850,6851,6870,6871
R 6890,6891,6910,6911
R 6930,6931
Other Resistors

RN1/16SC10R0D
RN1/16SC10R0D
RN1/16SC10R0D
RN1/16SC10R0D
RS1/16S###J

CAPACITORS

C 6801,6802,6821,6822
C 6803,6804,6823,6824
C 6807,6808,6817,6818
C 6827,6828,6837,6838
C 6841,6842,6861,6862

C 6843,6844,6863,6864
C 6847,6848,6857,6858
C 6867,6868
C 6881,6882,6901,6902
C 6883,6884,6903,6904

CEJQ221M16
CFHXSQ103J16
CCSRCH102J50
CCSRCH102J50
CEJQ221M16

CFHXSQ103J16
CCSRCH102J50
CCSRCH102J50
CEJQ221M16
CFHXSQ103J16

C 6921,6922
C 6923,6924

CEJQ221M16
CFHXSQ103J16

P ICE INTERFACE ASSY MISCELLANEOUS

CN 3800 19P SOCKET
CN 3801 17P SOCKET
CN 3810,3840,3870 5P SOCKET
CN 3820,3830,3850,3860 PLUG

XKP3080
XKP3079
XKP3073
CKS1750

Q ICEPOWER AMP ASSY SEMICONDUCTORS

IC 4000,4001
IC 4003
IC 4004
IC 4005
IC 4006

△ IC 4101,4201,4301,4401
IC 4200,4400,4600,4700
IC 4202,4402,4602,4702
IC 4203,4403,4603,4703
IC 4204,4404,4604,4704

BU7262SFVM
TC74VHC04FTS1
TC74VHC08FTS1
HA17431GLTPA
TC7WH08FU

△ IC 4501,4601,4701
△ IC 4900
Q 4000,4002,4003
Q 4001,4111,4211,4311
Q 4004,4006,4008,4010

ICC3-AVR
NJM1431AU
RT1N241M
2SA1602A
RT1P241M

Q 4005,4007,4009,4011
Q 4012,4013
Q 4014,4016
Q 4015,4109,4209,4309
△ Q 4100,4101,4200,4201

RT1N140M
RT3AMMM
HN1C01FU
2SC4154
PHB45NQ15T

Q 4102,4104,4202,4204
Q 4103,4105,4203,4205
Q 4106,4107,4206,4207
Q 4108,4208,4308,4408
Q 4110,4210,4310,4410

2SC5738
2SA2061
2SA1682
2SD2704K
2SA1514K

Mark No.	Description	Part No.
C 4555,4655,4755		CKSYB475K25
C 4557,4657,4757,4857		CKSRYB222K50
C 4560,4660,4760,4860		CCSRCH102J50
C 4613,4617,4712,4713		ACH1479
C 4620,4630,4647,4648		CKSRYB105K10
C 4621,4629,4652,4653		CKSRYB104K16
C 4658,4721,4729,4752		CKSRYB104K16
C 4704,4705		ACG7069
C 4706,4707		ACG7072
C 4715,4718,4720,4730		CKSRYB105K10
C 4716,4751,4912,4913		CKSRYB105K16
C 4717,4817		ACH1479
C 4722,4728		ACG7073
C 4731,4732		CKSQYB224K25
C 4735-4738		ACG7065
C 4741,4742,4927-4929		CCG1245
C 4743-4746		CCG1248
C 4747,4748,4818,4847		CKSRYB105K10
C 4749,4750		ACH7304
C 4753,4756,4758		CKSRYB104K16
C 4900-4905		ACH7305
C 4908		CEHAT221M25
C 4909,4924,4925		CKSRYB104K25
C 4914,4915		CKSQYB104K16
C 4920,4921		CKSQYB105K25
C 4930,4931		CCSRCH102J50

R ICE SHIELD ASSY

MISCELLANEOUS

KN 6990 SCREW PLATE
JH 6990 4P JUMPER CONNECTOR

VNE1948
52147-0410

S ZOUT ASSY

SEMICONDUCTORS

Q 6401,6411 IMX25

MISCELLANEOUS

JA 6401 PIN JACK(4P) XKB3017
CN 6401 11P CONNECTOR 52044-1145

RESISTORS

All Resistors RS1/16S###J

CAPACITORS

C 6401,6402,6411,6412 CCSRCH471J50
C 6421,6423 CKSRYB103K50

T PRIMARY ASSY

SEMICONDUCTORS

△ IC 8711 NJM78M56FA
Q 8712 RT1N431M
D 8703,8704,8719 1SS352
△ D 8711 S1WB(A)60SD
D 8717 1SS357

D 8718 UDZS5R1(B)

MISCELLANEOUS

Mark No.	Description	Part No.
△ L 8701	LINE FILTER	XTF3004
H 8701,8702	FUSE CLIP	AKR7001
KN 8701	WRAPPING TERMINAL	VNF1084
KN 8702,8703	SCREW PLATE	VNE1948
△ RY 8702	POWER RELAY	ASR7022
△ T 8701	STANDBY TRANSFORMER	ATT7043
△ CN 8700	AC CODE SOCKET	RKP1751
△ CN 8701	CONNECTOR	B2P3-VH
CN 8711	PLUG(5P)	KM200NA5
JH 8701	PCB BINDER	VEF1040

RESISTORS

R 8702 RD1/4MUF220J
Other Resistors RS1/16S###J

CAPACITORS

△ C 8701,8702 ACE7013
△ C 8704 ACG7039
C 8711 CFTLA103J50
C 8712-8715,8720 CCSRCH102J50
C 8716 CEAT332M25
C 8717,8719 CKSRYB103K50
C 8718 CEAT221M25

U PRIMARY GUARD ASSY

MISCELLANEOUS

CN 5752 5P PLUG XKP3062

V REG ASSY

SEMICONDUCTORS

△ IC 7501,7611 NJM78M12FA
△ IC 7502 NJM79M12FA
△ IC 7521 NJM78M06FA
△ IC 7601 NJM78M56FA
△ IC 7602 NJM79M05FA

△ D 7501-7504,7521,7522 1SR154-400
D 7505,7506,7523,7603 1SS357
△ D 7601 D3SBA20(B)
D 7602 1SS352
D 7604,7614 1SS357

△ D 7611,7612,7621-7623 1SR154-400
D 7613 1SR154-400
D 7624 HZU6R2(B)
D 7625 PTZ24(B)

MISCELLANEOUS

H 7501-7504,7601-7604 FUSE CLIP AKR7001
CN 7501,7601 5P TOP POST B5B-EH
CN 7502 PLUG(5P) KM200NA5R
CN 7602 PLUG(5P) KM200NA5E
CN 7621 PLUG(6P) KM200NA6

JH 7502,7601 PCB BINDER VEF1040
△ P 7521,7522 PROTECTOR(1A) AEK7009

RESISTORS

R 7621 RS1/16S473J
△ Other Resistors RD1/4MUF###J

CAPACITORS

C 7500,7520,7600,7634 CFTLA394J50
C 7501 CEAT332M25

Mark No.	Description	Part No.
C	7502,7521	CEAT222M25
C	7505,7506,7522,7603	CKSRYB103K50
C	7507,7508	CEAT221M25
C	7523	CEAT221M16
C	7601	CEAT472M16
C	7602	CEAT222M16
C	7604,7613,7626	CKSRYB103K50
C	7605,7606,7624	CEAT101M16
C	7611	CEAT102M35
C	7612	CEAT471M35
C	7614	CEAT100M50
C	7621	CEANP101M35
C	7622	CEAT101M35
C	7623	CEAT221M35
C	7625	CEAT470M50
C	7628,7632	CCSRCH102J50
C	7629	CFTLA104J50

W ICE REG ASSY SEMICONDUCTORS

△ IC	7251	NJM78M12FA
△ IC	7252	NJM79M12FA
△ IC	7271	NJM78M05FA
△ IC	7272	NJM79M05FA
△ Q	7201	RSQ035P03
△ Q	7202	RSQ035N03
Q	7203,7204	RT1N431M
Q	7205,7222	RT1P431M
△ Q	7211	2SD1763A
△ Q	7212	2SB1186A
Q	7221	RT1N241M
Q	7241	2SD1763A
Q	7242	2SC4154
△ D	7201-7204,7211,7212	1SR154-400
D	7205,7206,7245	1SS352
D	7213,7214	HZU7R5(B1)
D	7215,7216	1SR154-400
△ D	7241-7244,7251-7254	1SR154-400
D	7247	UDZS12(B)
△ D	7248	PTZ15(B)
△ D	7249	HZU12(B2)
D	7255,7256,7275,7276	1SS357
△ D	7271-7274	1SR154-400

MISCELLANEOUS

H	7201-7204,7241,7242 FUSE CLIP	AKR7001
H	7251-7254 FUSE CLIP	AKR7001
CN	7201 8P TOP POST	B8B-EH
CN	7241 PLUG(2P)	KM200NA2
CN	7251 PLUG(6P)	KM200NA6E
CN	7271 PLUG(4P)	KM200NA4
CN	7302 PLUG(6P)	KM200NA6R
JH	7251-7253 PCB BINDER	VEF1040

RESISTORS

R	7211,7213	RD1/4MUF102J
R	7241	RS1/4S152J
R	7255,7256	RS1/10S0R0J
	Other Resistors	RS1/16S###J

CAPACITORS

Mark No.	Description	Part No.
C	7200,7240,7250,7270	CFTLA394J50
C	7201,7202	CEAT102M16
C	7211-7215,7219,7245	CEAT100M50
C	7217,7218,7242,7253	CKSRYB103K50
C	7221,7246	CEAT470M25
C	7241,7251,7252	CEAT222M25
C	7254,7273,7274	CKSRYB103K50
C	7255,7256	CEAT221M25
C	7271,7272	CEAT222M16
C	7275,7276	CEAT221M16
C	7277,7278	CCSRCH102J50

X B DIODE ASSY SEMICONDUCTORS

△ D	7400,7401	LN6SB60-4003
CN	7400 CONNECTOR	B3P-VH
	7400,7401 HEAT SINK B	ANH1021
	7402,7403 SCREW	IBZ30P080FCC
JP	7401 3P HOUSING ASSY	ADX7649

MISCELLANEOUS

CN	7400 CONNECTOR	B3P-VH
	7400,7401 HEAT SINK B	ANH1021
	7402,7403 SCREW	IBZ30P080FCC
JP	7401 3P HOUSING ASSY	ADX7649

RESISTORS

R	7402	RD1/4MUF100J
	Other Resistors	RS1/4SA###J

CAPACITORS

C	7400,7401	ACH7270
C	7402,7403	CFTLA104J2A

Y B REG ASSY SEMICONDUCTORS

△ IC	7300,7301	HA17431GLTPA
△ IC	7302,7303	NJM2746V
△ Q	7300	2SD2083
△ Q	7301	2SB1383
Q	7302,7308	2SD1857
Q	7303,7307	2SB1236
Q	7304	RT1N241M
Q	7306	RT1P241M
Q	7309	2SC4154
Q	7310	2SA1602A
D	7302,7303	PTZ11(B)
D	7304,7307	UDZS2R4(B)
D	7306,7309,7350,7352	1SS352
D	7308,7310	1SR154-400
D	7351	UDZS18(B)
D	7353	UDZS20(B)
D	7355	1SS352
△ TH	7300	PTFM04BB222Q2N34B0

MISCELLANEOUS

H	7300-7303 FUSE CLIP	AKR7001
CN	7303 4P-TOP POST(VH)	B4P-VH
CN	7306 PLUG(4P)	KM200NA4
CN	7308 CONNECTOR	B3P-VH
JH	7300 PCB BINDER	VEF1040

△ P	7300,7301 PROTECTOR(500MA)	AEK7005
-----	----------------------------	---------

RESISTORS

<u>Mark No.</u>	<u>Description</u>	<u>Part No.</u>	<u>Mark No.</u>	<u>Description</u>	<u>Part No.</u>
R 7302,7303		RS2LMF222J	H 8801,8802	FUSE CLIP	AKR7001
R 7306,7307		RS2LMF472J	CN 8801	3P TOP POST	B3B-EH
R 7308-7311		RS1/4SA333J	CN 8802	CONNECTOR	B2B-EH-R
R 7312-7315		RN1/16SE2702D			
R 7318,7319		RS1/10S473J			
R 7322,7323		RS2LMF152J			
R 7324,7325		RS1/10S100J			
R 7326-7329		RS1LMF332J			
R 7332,7333		RN1/10SE8202D			
R 7334,7335		RN1/10SE6801D			
R 7336,7337		RN1/10SE1800D			
R 7386		RS1/4SA154J			
R 7387		RS1/4SA393J			
R 7388		RS1/4SA223J			
R 7389		RS1/4SA473J			
Other Resistors		RS1/16S###J			

CAPACITORS

C 8800	CFTLA274J50
C 8801	ACH7286
C 8803	CCSRCH102J50

FM/AM TUNER UNIT

FM/AM TUNER UNIT has no service parts.

CAPACITORS

C 7302,7303,7376-7379	CCSRCH102J50
C 7304-7307,7350	CKSRYB104K50
C 7310,7311	CKSRYB473K50
C 7318,7319	CCG1248
C 7320,7321	CEAT4R7M50
C 7324,7325	CEHAT470M2A
C 7326,7327	ACG7064
C 7380-7384	CKSRYB104K50
C 7386	CCSRCH102J50

Z DCDC ASSY
SEMICONDUCTORS

△ IC 3901	PQ1CG3032FZ
D 3901	RB050L-40
△ D 3902	PTZ6R8(B)

MISCELLANEOUS

L 3901 INDUCTOR	ATH7052
CN 3901 CONNECTOR	B2B-EH-E
CN 3902 CONNRCTOR	B2B-EH-Y
3900 HEAT SINK	ANH-309
3901 SCREW	BBZ30P080FCC
JH 3901 PCB BINDER	VEF1040

RESISTORS

R 3901	RN1/16SE1001D
R 3902	RN1/16SE3301D
Other Resistors	RS1/16S###J

CAPACITORS

C 3901	CEHAZL471M25
C 3902	CKSYB105K25
C 3903	CKSRYB104K25
C 3905	CEHAZL221M10
C 3906,3910	CCSRCH102J50
C 3911	CFTLA394J50

AA HDMI RECT ASSY
SEMICONDUCTORS

△ D 8801	D5SBA20(B)
----------	------------

MISCELLANEOUS