

AUDIO/VIDEO STEREO RECEIVER

VSX-411S KUC/CA

VSX-401 KUC, KUC/CA

 **PIONEER**
The Art of Entertainment

Service Manual

- Refer to the service manual ARP2060 for VSX – 3700S/KUC.
- This manual is applicable to VSX – 411S/KUC/CA, VSX – 401/KUC and VSX – 401/KUC/CA.
- The " S " at the end of the model number indicates that the a programable remote control unit is supplied.


ORDER NO.
ARP2436


PIONEER ELECTRONIC CORPORATION 4-1, Meguro 1-Chome, Meguro-ku, Tokyo 153, Japan
PIONEER ELECTRONICS SERVICE INC. P.O. Box 1760, Long Beach, California 90801 U.S.A.
PIONEER ELECTRONICS OF CANADA, INC. 300 Allstate Parkway Markham, Ontario L3R 0P2 Canada
PIONEER ELECTRONIC (EUROPE) N.V. Haven 1087 Keetberglaan 1, 9120 Melsele, Belgium
PIONEER ELECTRONICS AUSTRALIA PTY. LTD. 178-184 Boundary Road, Braeside, Victoria 3195, Australia TEL: [03] 580-9911
© **PIONEER ELECTRONIC CORPORATION 1992**

DFE MAR. 1992 Printed in Japan

NOTE :

 : Indicates a chip resistor.

 : Indicates a chip capacitor.

 : Indicates a chip transistor.

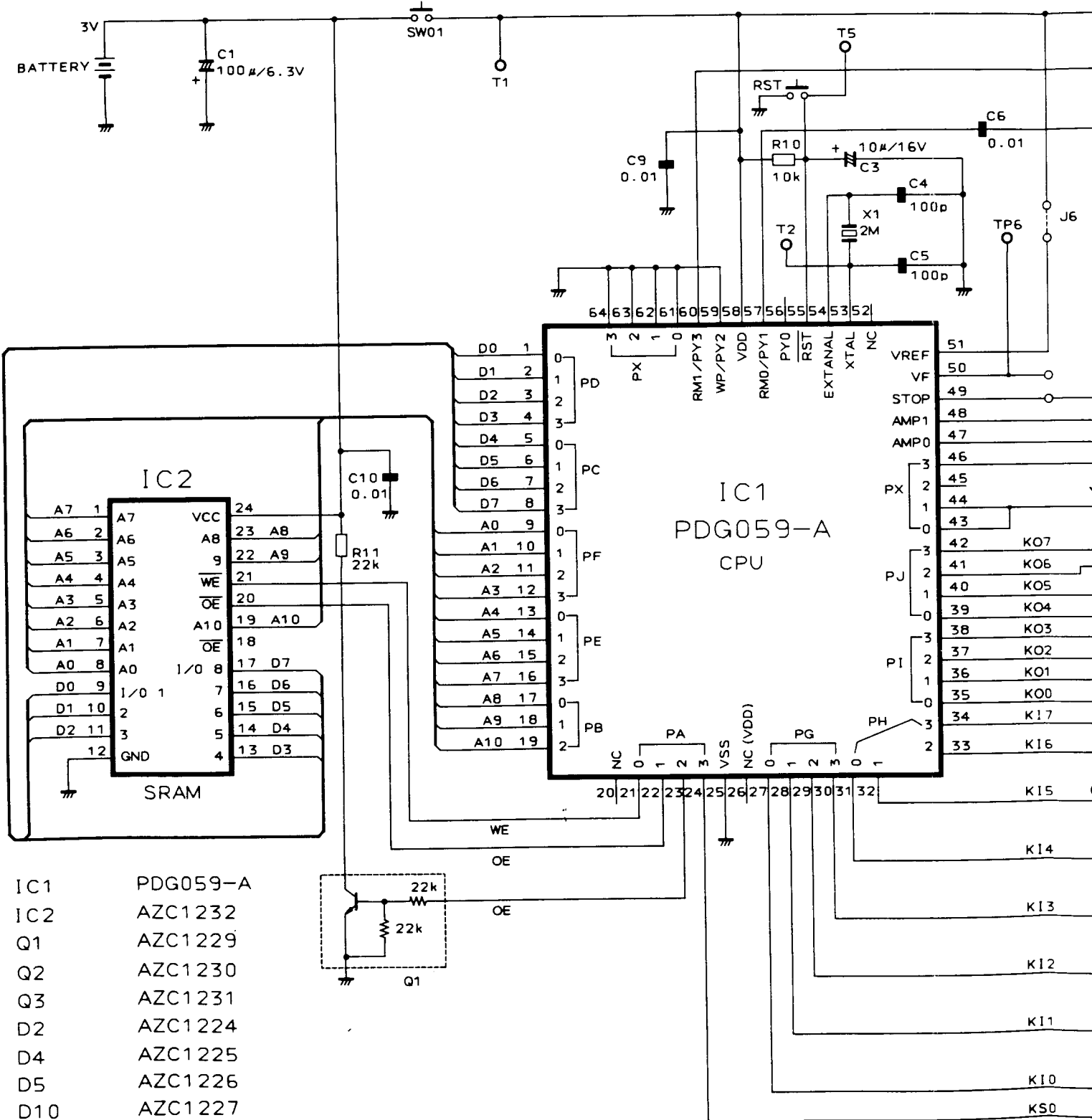
 : Indicates a chip diode.

1. RESISTORS :

Indicated in Ω , 1/k, 1/M, $\pm 5\%$ tolerance unless otherwise noted k:k Ω , M:M Ω , (F): $\pm 1\%$, (G): $\pm 2\%$, (K): $\pm 10\%$, (M): $\pm 20\%$ tolerance.

2. CAPACITORS :

Indicated in capacity (μ F)/voltage (V) unless otherwise noted: pF
Indication without voltage is 50V except electrolytic capacitor.



- IC1 PDG059-A
- IC2 AZC1232
- Q1 AZC1229
- Q2 AZC1230
- Q3 AZC1231
- D2 AZC1224
- D4 AZC1225
- D5 AZC1226
- D10 AZC1227
- D6-D9, D11 AZC1228

3. OTHERS:

Unless otherwise noted k:kΩ, 20% tolerance.

➔ : Signal route.

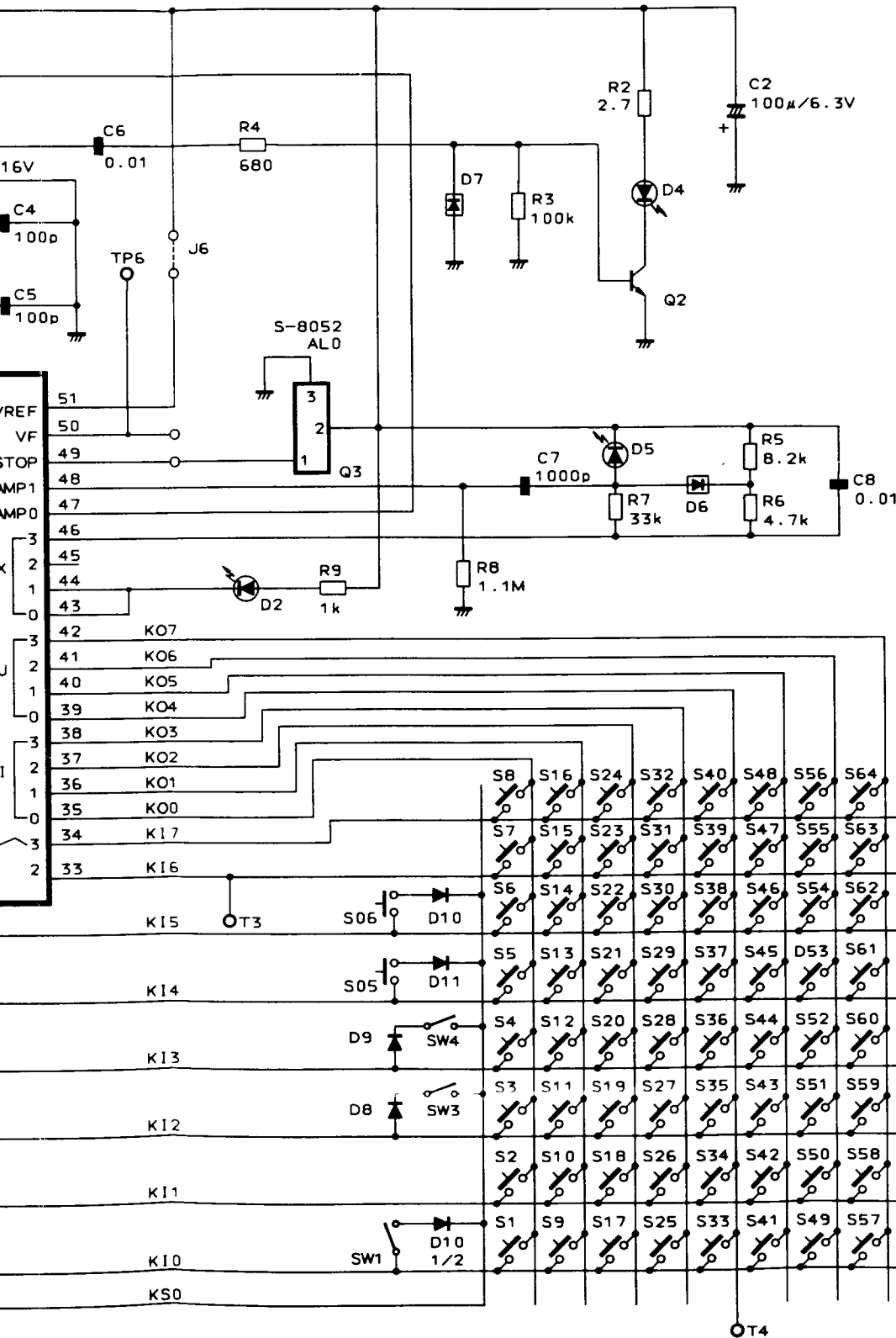
⊗ : Adjusting point.

The Δ mark found on some component parts importance of the safety factor of the part. Therefore, when replacing, be sure of use parts of identical designation.
 * marked capacitors and resistors have parts numbers.

This is the basic schematic diagram, but the actual circuit may vary due to improvements in design.

The underline indicates the switch position

Unless otherwise noted: pF electrolytic capacitor.



- SW1: AUDIO/VIDEO
- SR: RECALL/USE/LEARN
- SW3: SR RECALL/USE
- SW4: USE/LEARN
- MEMORY CLEAR
- S5: ON/OFF
- CENTER/REAR
- S6: ON/OFF
- RESET
- RST: ON/OFF

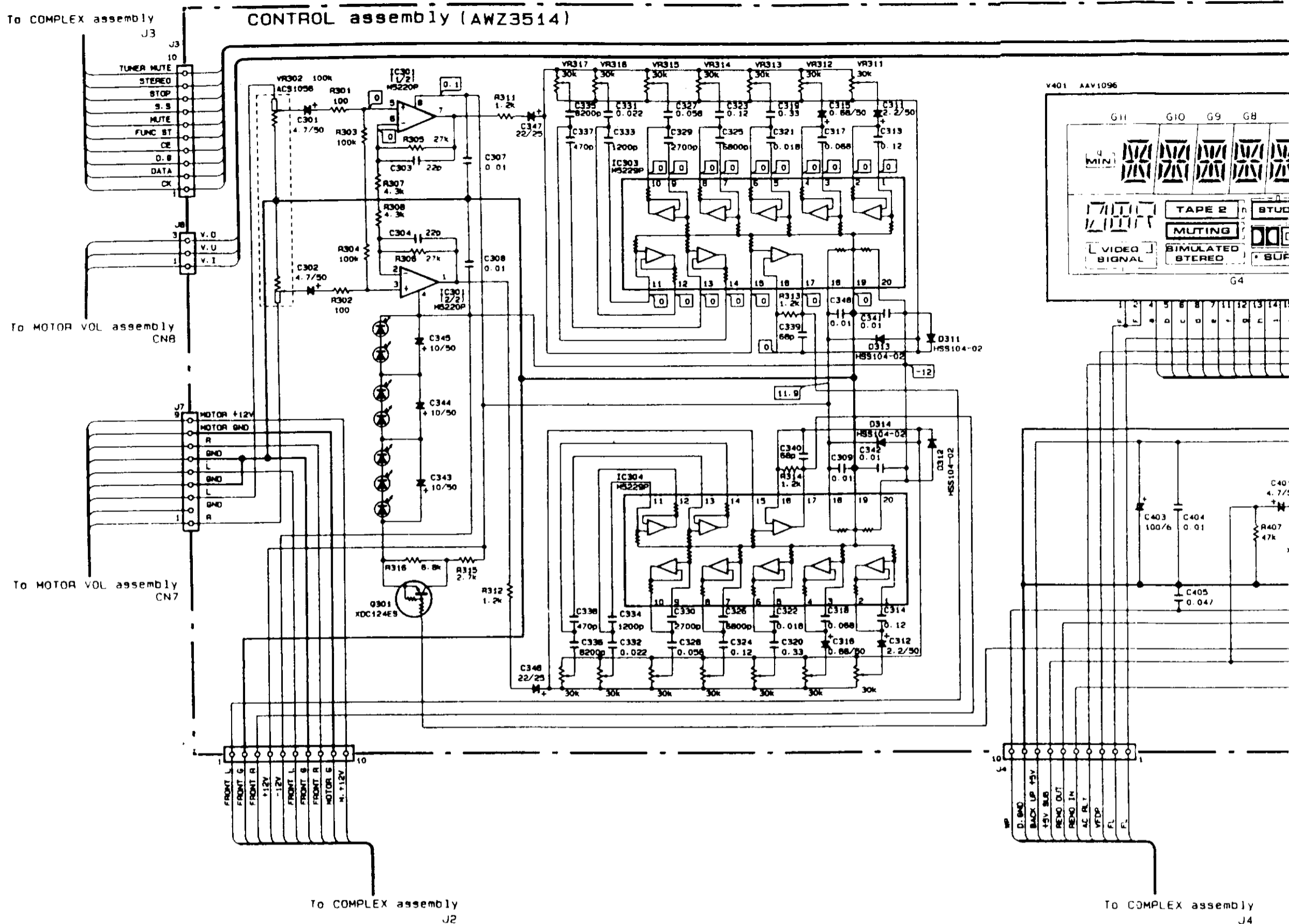
- TAPE/VCR
- S2: TAPE SELECT/ANT
- S10: ■/■
- S8: ▶/▶
- S6: ◀/◀
- S7: ▶/▶
- S9: ◀
- S15: 1/VCR CH-
- S16: 2/VCR CH+
- S1: VCR POWER
- S12: ●/●
- S3: ||/||

- CD/VDP
- S13: DISC-SELECT/DISPLAY
- S14: ■/■
- S11: ▶/▶ SEARCH
- S20: ▶/▶ CHAP/FR-TIME
- S21: ▶/▶
- S5: ◀/◀
- S22: ▶/▶
- S35: ||/||
- S17: CD POWER/VDP POWER
- S18: PGM
- S19: CD+10

- TUNER/TV (CD/VDP)
- S24: 1 (1)
- S25: 2 (2)
- S26: 3 (3)
- S27: 4 (4)
- S23: 5 (5)
- S29: 6 (6)
- S30: 7 (7)
- S31: 8 (8)
- S32: 9 (9)
- S28: 0/10 (0/10)
- S34: 11 (MEMORY)
- S36: 12 (CLR)
- S33: STATION+/TV-CH+
- S37: STATION-/TV-CH-
- S41: BAND/DUAL
- S52: DIRECT ACCESS/TV-FUNC
- S53: FREQUENCY+/TV-VOL+
- S43: FREQUENCY-/TV-VOL-
- S59: SCAN/TV-DISP
- S42: HITS
- S54: CUSTOM MEMORY/CH-RETURN
- S40: TV-POWER

- AMP/AMP
- S50: VOLUME+
- S51: VOLUME-
- S58: VDP
- S63: VCR
- S64: MUTING
- S48: RECEIVER POWER
- S57: TAPE2
- S47: SURROUND MODE
- S56: SURROUND LEVEL+
- S55: SURROUND LEVEL-
- S61: TUNER
- S46: SLEEP
- S60: CD
- S62: PHONO
- S4: TAPE1
- S49: LINE
- S45: VIDEO SIGNAL SELECT
- S38: DELAY TIME
- S39: RETURN
- S44: SIMULATED STEREO

3. SCHEMATIC AND P. C. BOARD DIAGRAM



1. RESISTORS:

Indicated in Ω , $\frac{1}{4}W$, $\frac{1}{8}W$, $\pm 5\%$ tolerance unless otherwise noted k : k Ω , M : M Ω , (F) : $\pm 1\%$, (G) : $\pm 2\%$, (K) : $\pm 10\%$ (M); $\pm 20\%$ tolerance

2. CAPACITORS:

Indicated in capacity (μF)/voltage (V) unless otherwise noted p : pF
Indication without voltage is 50V except electrolytic capacitor.

3. VOLTAGE, CURRENT:

: Signal voltage at (100 W + 100 W 8 Ω)output (1kHz)
 : DC voltage (V) at no input signal
Value in () is DC voltage at rated power.
 mA : DC current at no input signal

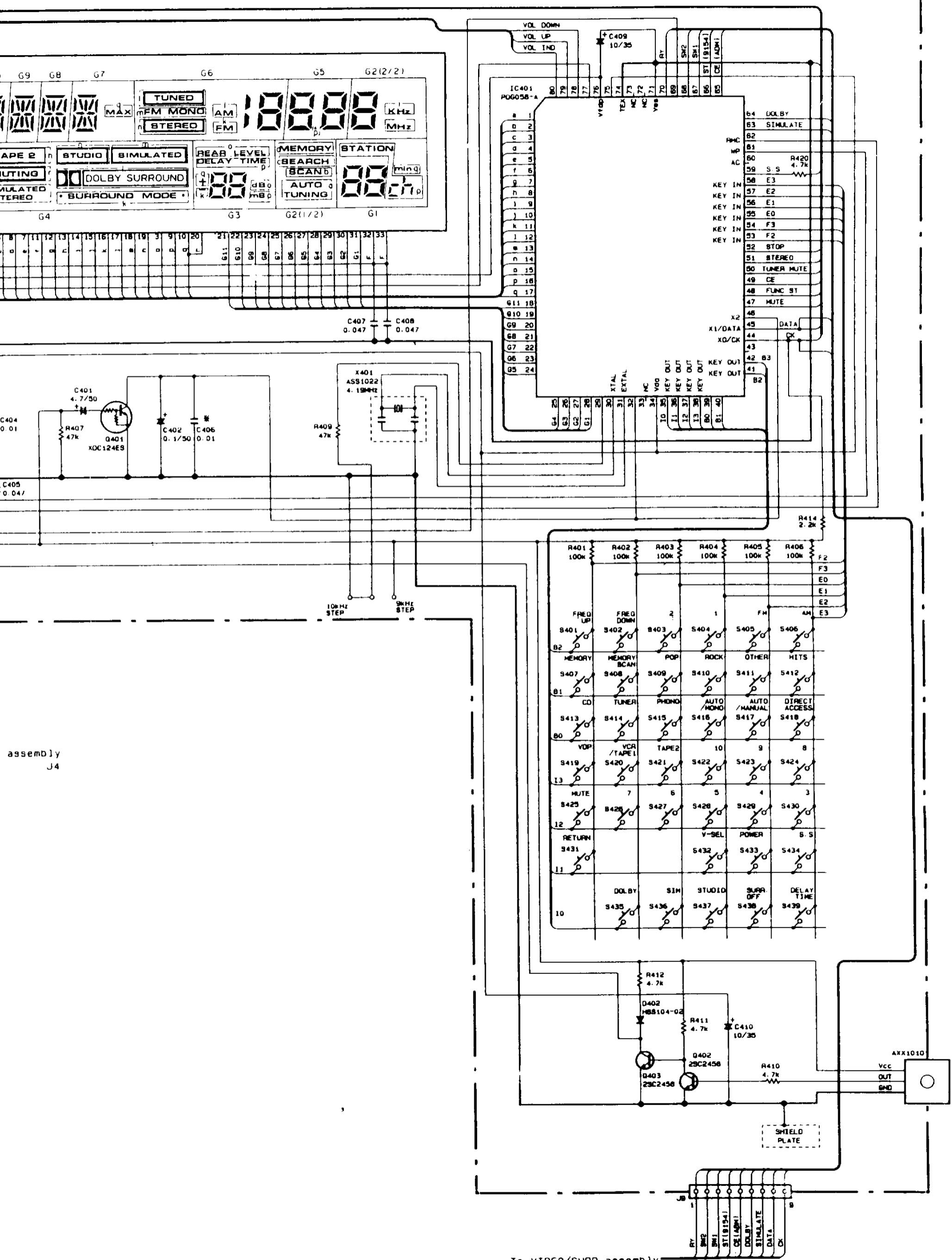
4. OTHERS:

: Signal route.
 : Adjusting point.
The mark found on some component parts indicates the importance of the safety factor of the part. Therefore, when replacing, be sure to use parts of identical designation.
* marked capacitors and resistors have parts numbers.

SWITCHES:

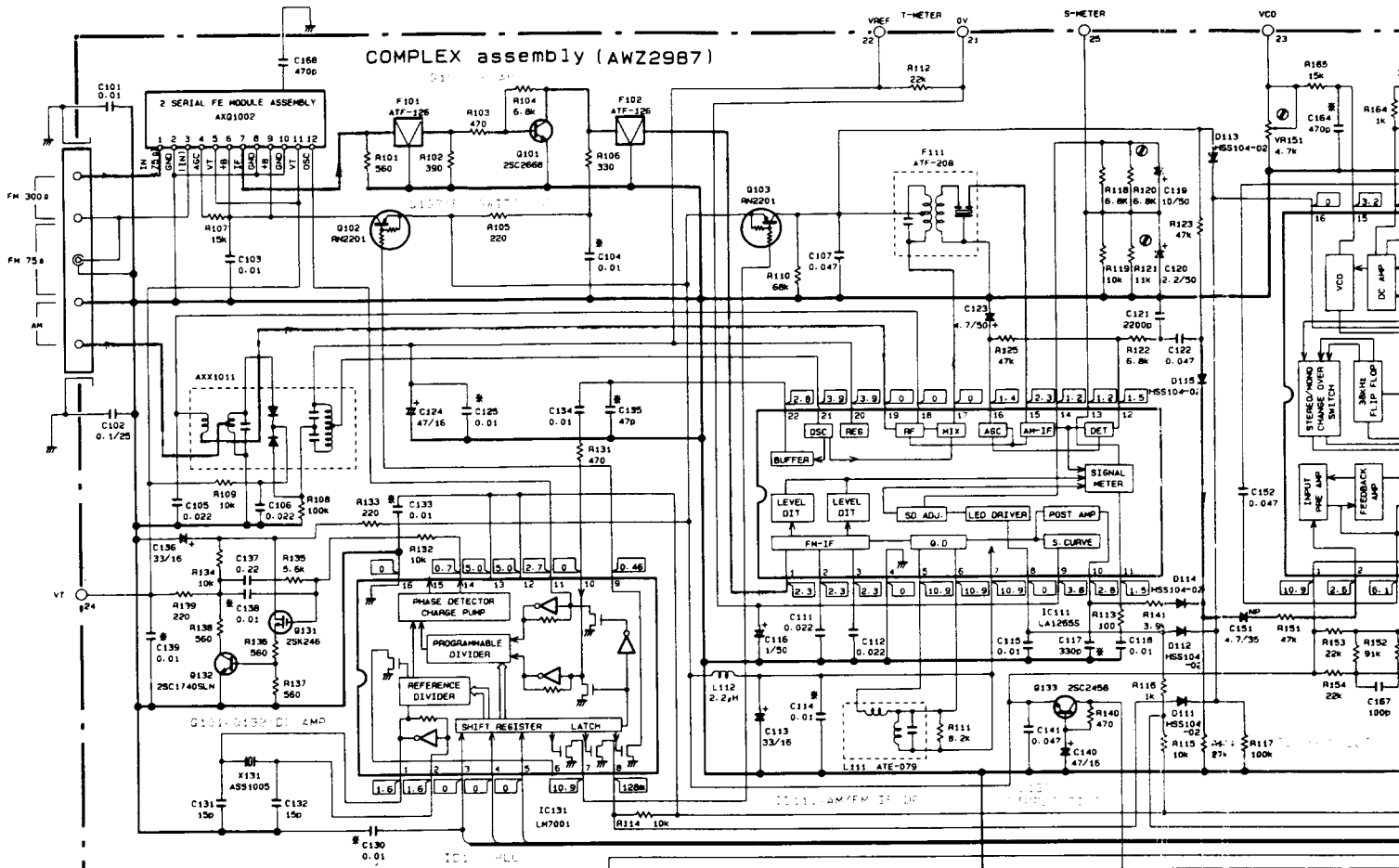
SP SWITCH assembly	
S570	SP A ON-OFF / SP-B ON-OFF
CONTROL assembly	
S401	FREQ UP
S402	FREQ DOWN
S403	2
S404	1
S405	FM
S406	AM
S407	MEMORY
S408	MEMORY SCAN
S409	POP
S410	ROCK
S411	OTHER
S412	HITS
S413	CD
S414	TUNER
S415	PHONO
S416	AUTO/MONO
S417	AUTO/MANUAL
S418	DIRECT ACCESS
S419	VDP
S420	VCR/TAPE1
S421	TAPE2
S422	10
S423	9
S424	8
S425	MUTE
S426	7
S427	6
S428	5
S429	4
S430	3
S431	RETURN
S432	V-SEL.
S433	POWER
S434	S.S
S435	DOLBY
S436	SIM.
S437	STUDIO
S438	SURR.
S439	DELAY TIME

This is the basic schematic diagram, but the actual circuit may vary due to improvements in design.

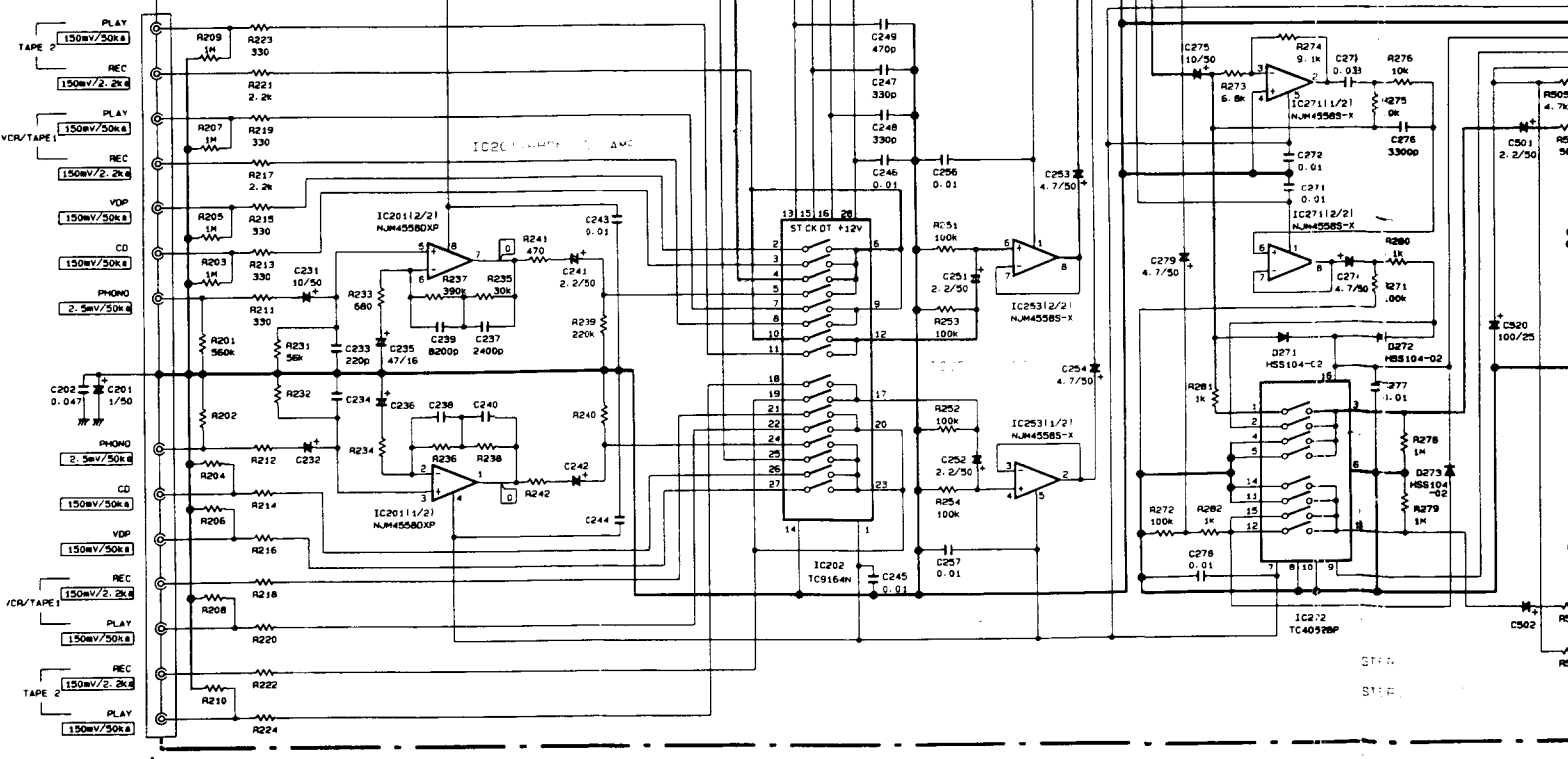


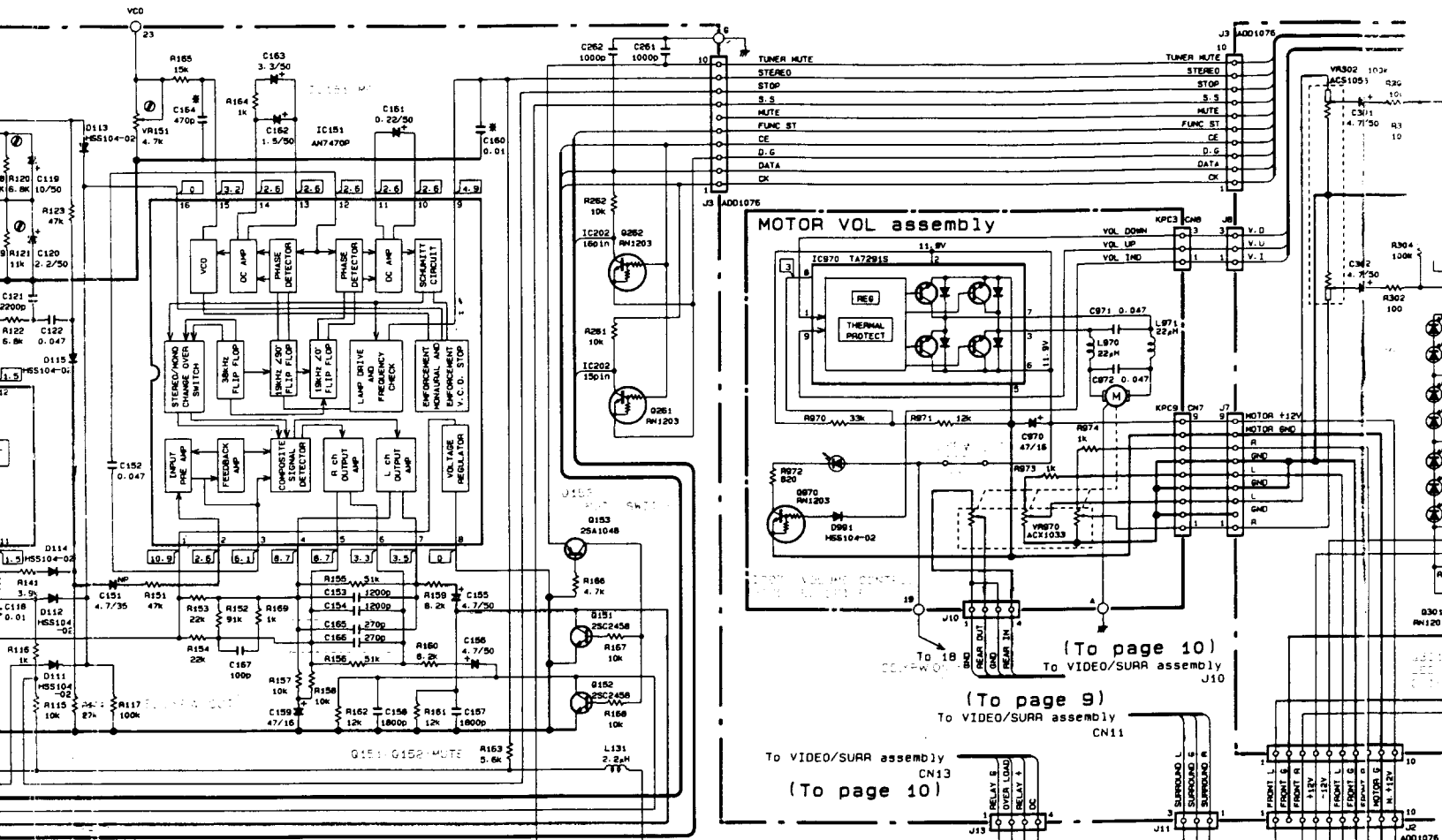
To VIDEO/SURR assembly
CN9

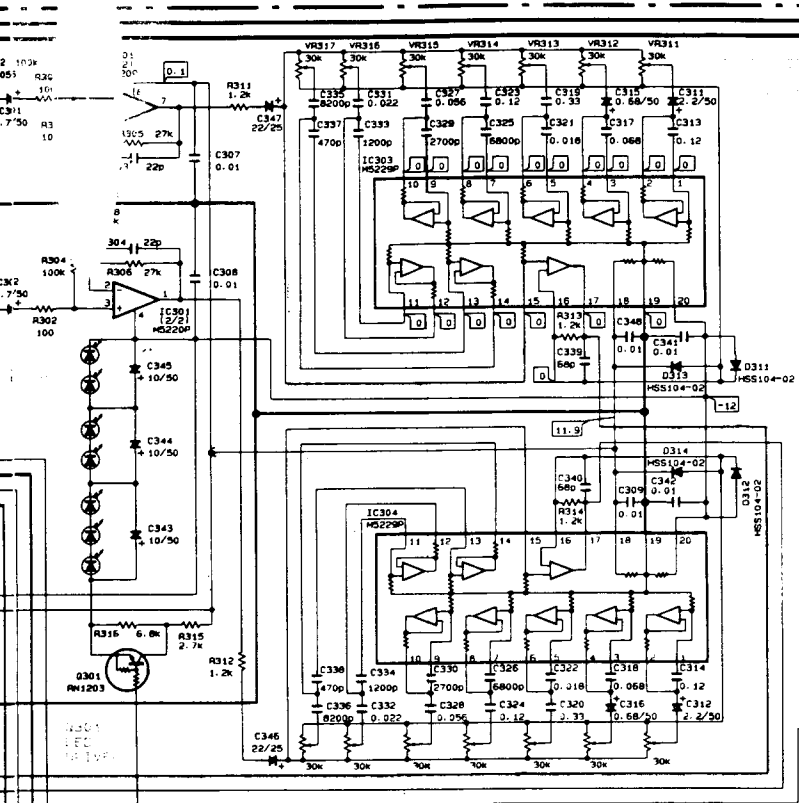
COMPLEX assembly (AWZ2987)



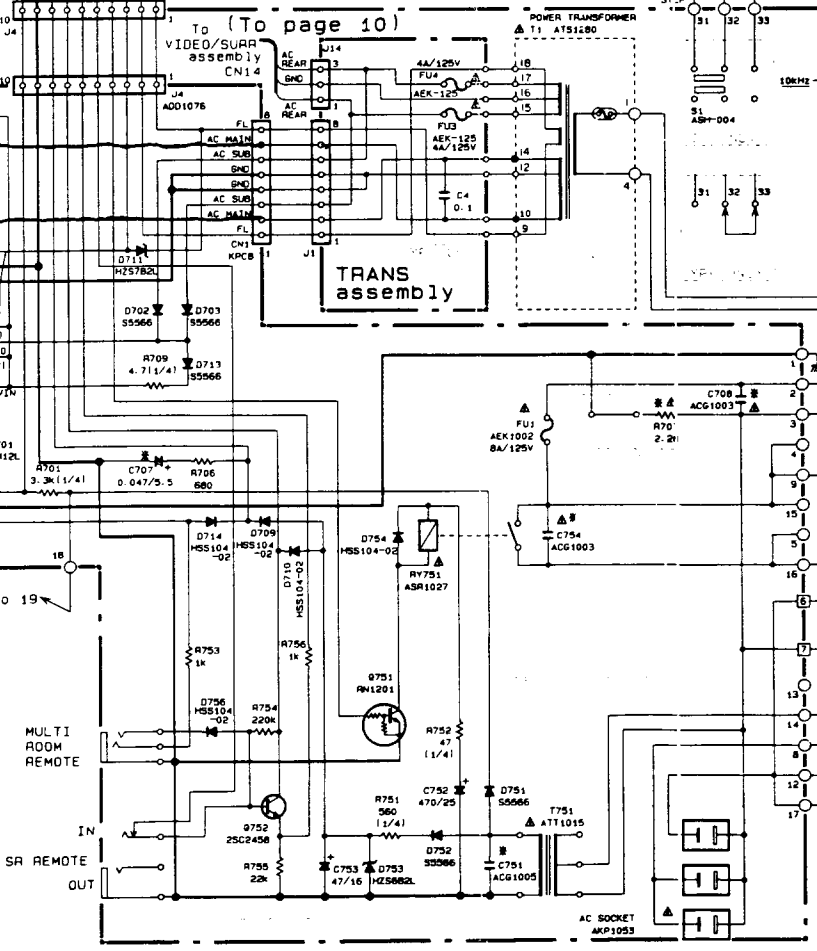
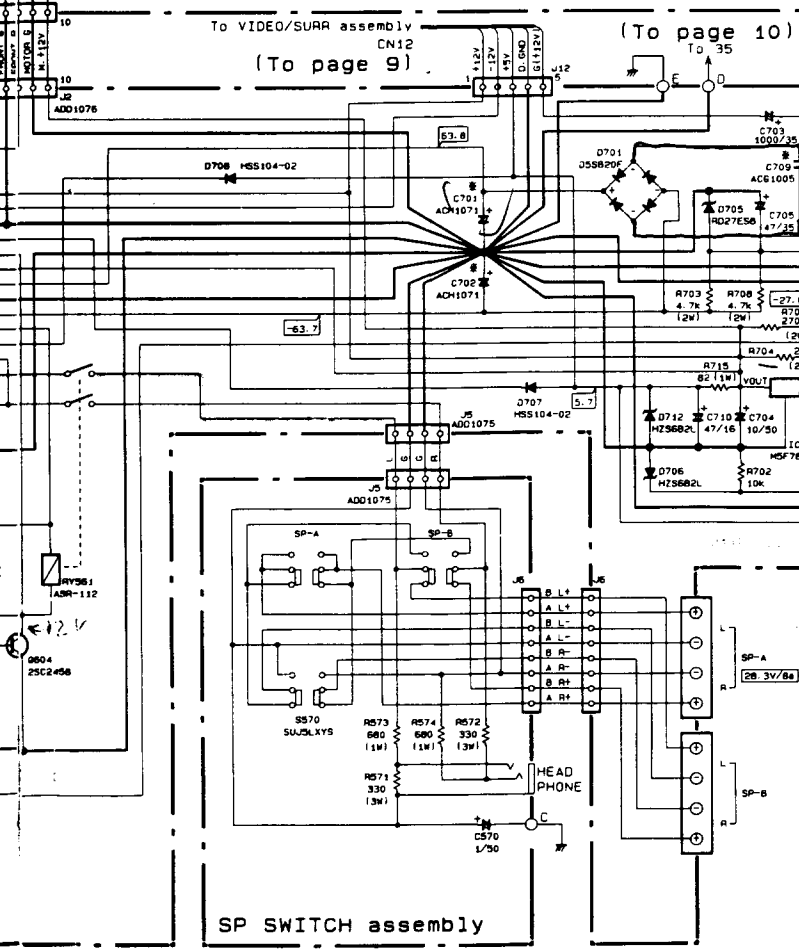
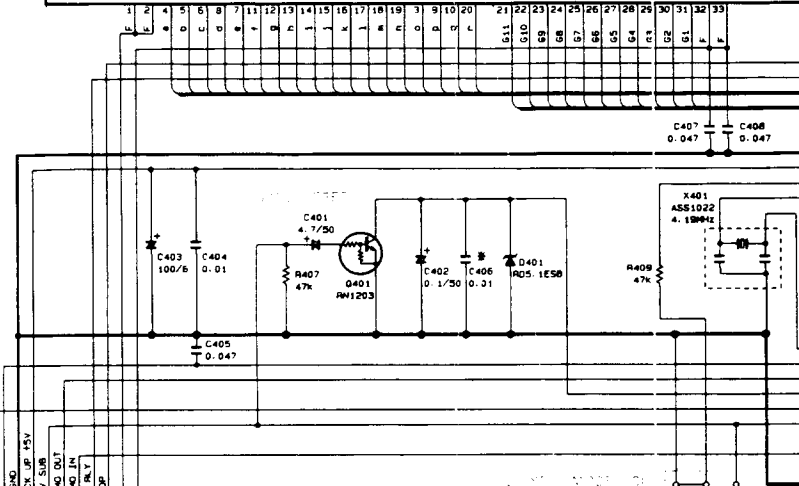
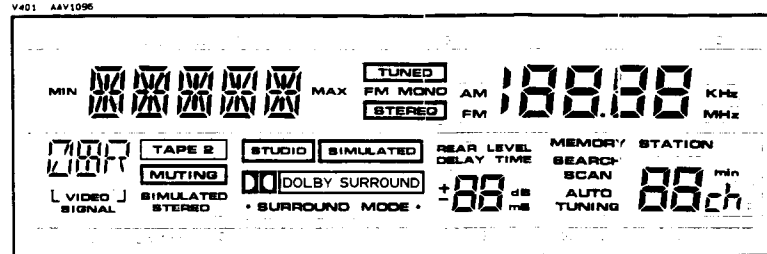
(To page 9)
To 36 ←

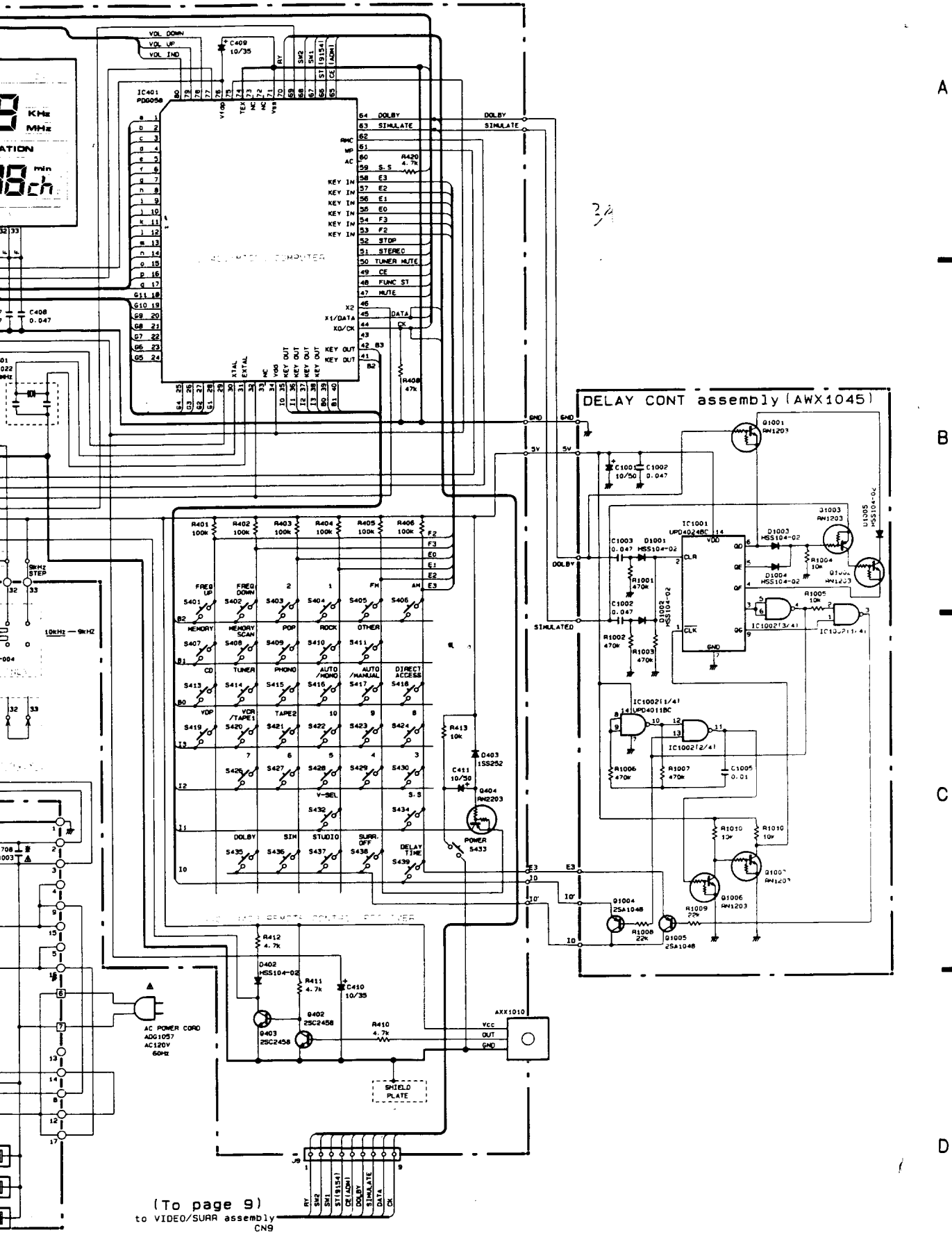




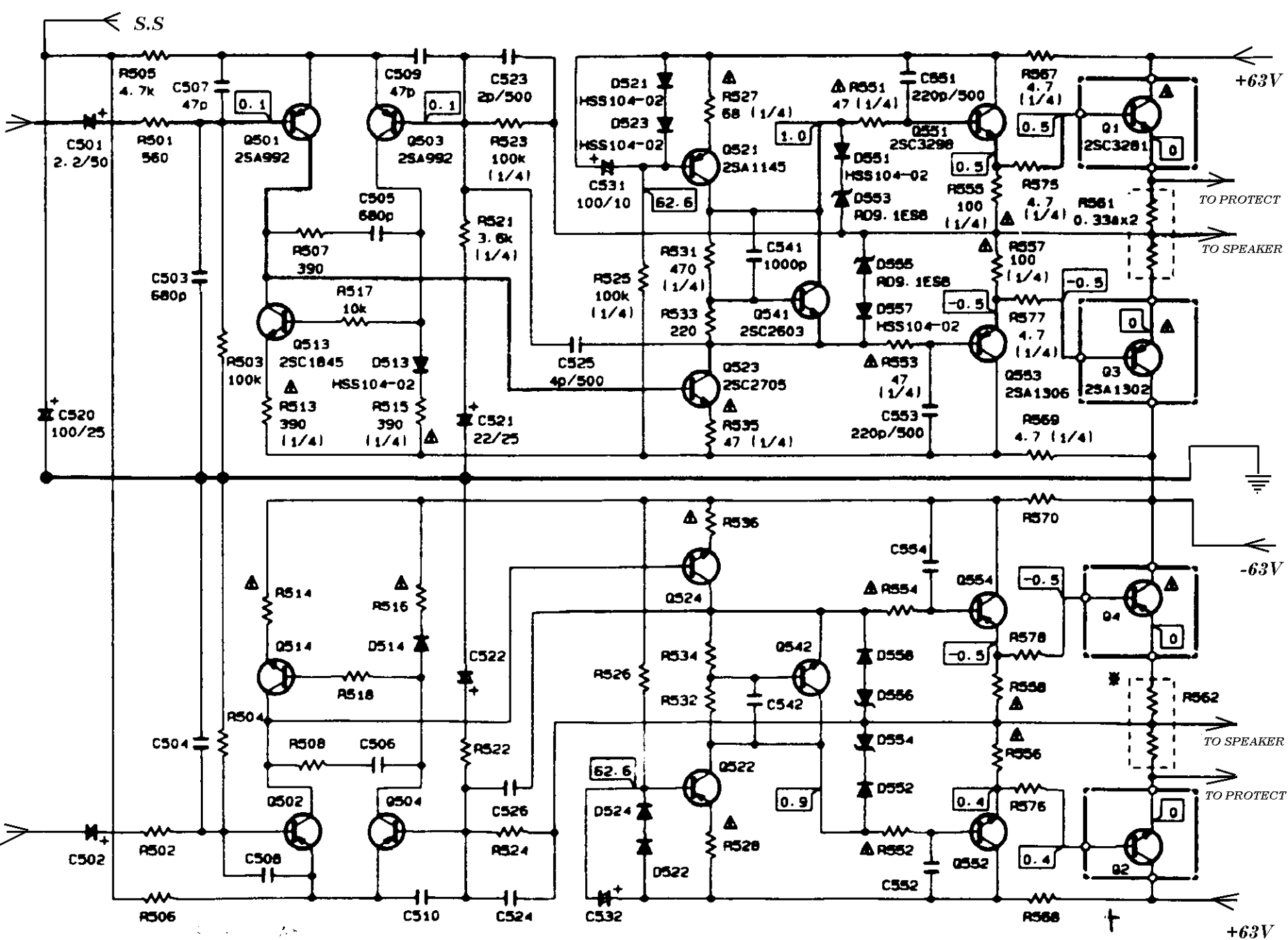


CONTROL assembly (AWZ2990)
V401 AAV1096





(To page 9)
to VIDEO/SURR assembly
CN9



+63V

