

Service Manual

ORDER NO.
RRV2752

AUDIO/VIDEO MULTI-CHANNEL RECEIVER

VSX-D712-K VSX-D712-S

THIS MANUAL IS APPLICABLE TO THE FOLLOWING MODEL(S) AND TYPE(S).

Model	Type	Power Requirement	The voltage can be converted by the following method.
VSX-D712-K	FXJI	AC110V/120-127V/220V/240V	With the voltage selector
VSX-D712-S	FXJI	AC110V/120-127V/220V/240V	With the voltage selector
VSX-D712-S	SLXJI	AC110V/120-127V/220V/240V	With the voltage selector
VSX-D712-S	NKXJI	AC220V	————

● This service manual should be used together with the following manual(s):

Model No.	Order No.	Remarks
VSX-D712-S/MYXJIEW	RRV2744	

● For SPECIFICATIONS and PANEL FACILITIES, refer to the operating instructions.

CONTENTS

1. CONTRAST OF MISCELLANEOUS PARTS	2
2. SCHEMATIC DIAGRAM	6
3. PCB CONNECTION DIAGRAM	8

1. CONTRAST OF MISCELLANEOUS PARTS

NOTES: ● Parts marked by "NSP" are generally unavailable because they are not in our Master Spare Parts List.

● The Δ mark found on some component parts indicates the importance of the safety factor of the part. Therefore, when replacing, be sure to use parts of identical designation.

● Screws adjacent to ∇ mark on product are used for disassembly.

● Reference Nos. indicate the pages and Nos. in the service manual for the base model.

● For the applying amount of lubricants or glue, follow the instructions in this manual.

(In the case of no amount instructions, apply as you think it appropriate.)

● When ordering resistors, first convert resistance values into code form as shown in the following examples.

Ex.1 When there are 2 effective digits (any digit apart from 0), such as 560 ohm and 47k ohm (tolerance is shown by J=5%, and K=10%).

560 Ω \rightarrow 56×10^1 \rightarrow 561 RD1/4PU $\begin{matrix} 5 & 6 & 1 \\ \hline & & J \end{matrix}$

47k Ω \rightarrow 47×10^3 \rightarrow 473 RD1/4PU $\begin{matrix} 4 & 7 & 3 \\ \hline & & J \end{matrix}$

0.5 Ω \rightarrow R50 RN2H $\begin{matrix} R & 5 & 0 \\ \hline & & K \end{matrix}$

1 Ω \rightarrow 1R0 RS1P $\begin{matrix} 1 & R & 0 \\ \hline & & K \end{matrix}$

Ex.2 When there are 3 effective digits (such as in high precision metal film resistors).

5.62k Ω \rightarrow 562×10^1 \rightarrow 5621 RN1/4PC $\begin{matrix} 5 & 6 & 2 & 1 \\ \hline & & & F \end{matrix}$

■ CONTRAST TABLE

VSX-D712-K/FXJI, VSX-D712-S/FXJI, SLXJI, NKXJI and VSX-D712-S/MYXJIEW are constructed the same except for the following :

Ref. No.	Mark	Symbol and Description	Part No.					Remarks
			VSX-D712-S /MYXJIEW	VSX-D712-K /FXJI	VSX-D712-S /FXJI	VSX-D712-S /SLXJI	VSX-D712-S /NKXJI	
P9-1		PCB ASSEMBLIES MAIN ASSY	XWK3092	XWK3093	XWK3093	XWK3094	XWK3093	
P9-3 P9-8	NSP	AMP&PS ASSY ├ AMP&PRIMARY ASSY ├ TRANS 1 ASSY └ VOLTAGE SELECT SW ASSY	XWK3083 XWZ3667 XWZ3680 Not used	XWK3084 XWZ3668 Not used XWZ3688	XWK3084 XWZ3668 Not used XWZ3688	XWK3084 XWZ3668 Not used XWZ3688	XWK3106 XWZ3695 Not used Not used	No. 1
P9-9 P9-11	NSP	COMPLEX ASSY ├ VIDEO ASSY ├ BOARD TO BOARD ASSY └ COMPONENT ASSY	XWK3076 XWZ3645 XWZ3665 Not used	XWK3077 XWZ3644 XWZ3664 XWZ3661	XWK3077 XWZ3644 XWZ3664 XWZ3661	XWK3077 XWZ3644 XWZ3664 XWZ3661	XWK3077 XWZ3644 XWZ3664 XWZ3661	No. 2
P9-17		FM/AM TUNER MODULE	AXQ7232	XXQ3003	XXQ3003	XXQ3003	XXQ3003	
P7-2 P7-5	NSP	PACKING SECTION Warranty Card Operating Instructions (English/Italian)	ARY7065 XRE3070	Not used Not used	Not used Not used	Not used Not used	Not used Not used	
P7-5		Operating Instructions (English/Chinese/Spanish)	Not used	XRE3071	XRE3071	XRE3071	Not used	
P7-5 P7-6 P7-12 P7-16		Operating Instructions (Korean) Remote Control Unit Packing Case Operating Instructions (Dutch/Spanish)	Not used XXD3052 XHD3331 XRC3081	Not used XXD3051 XHD3340 Not used	Not used XXD3051 XHD3341 Not used	Not used XXD3051 XHD3347 Not used	XRC3083 XXD3051 XHD3342 Not used	
P7-17		Operating Instructions (French/German)	XRC3082	Not used	Not used	Not used	Not used	
	Δ	Caution 220V Label	Not used	ARR1003	ARR1003	Not used	Not used	Accessories
	Δ	AC Power Cord	Not used	ADG7062	ADG7062	Not used	Not used	
	Δ	AC Power Cord	Not used	XDG3014	ADG7076	Not used	Not used	Accessories
	Δ	J Shape Plug	Not used	AKX7008	AKX7008	AKX7008	AKX7008	Accessories
	Δ	AC Plug Adapter	Not used	AKX7011	Not used	Not used	Not used	Accessories
P9-20 P9-20	Δ Δ	EXTERIOR SECTION Power Transformer (AC220-230V) Power Transformer (AC110V/120-127V/220V/230V)	XTS3046 Not used	Not used XTS3048	Not used XTS3048	Not used XTS3048	Not used XTS3048	
P9-18 P9-18	Δ Δ	Fuse (FU1 : T2.5A) Fuse (FU1 : T6.3A)	REK1026 Not used	Not used REK1030	Not used REK1030	Not used REK1030	REK1026 Not used	

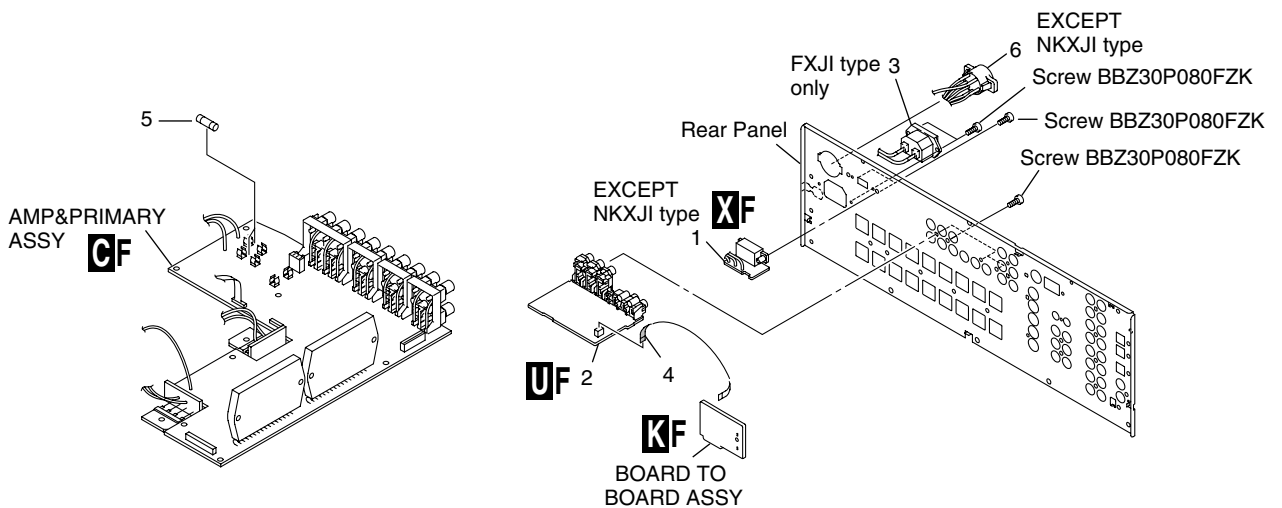
Ref. No.	Mark	Symbol and Description	Part No.					Remarks	
			VSX-D712-S /MYXJIEW	VSX-D712-K /FXJI	VSX-D712-S /FXJI	VSX-D712-S /SLXJI	VSX-D712-S /NKXJI		
P9-21	NSP	AC Power Cord	VDG1077	Not used	Not used	XDG3016	DDG1083		
P9-22		Cord Stopper	CM-22B	Not used	Not used	AEC7317	CM-22B		
P9-44		Rear Panel	XNC3195	XNC3198	XNC3198	XNC3202	XNC3199		
P9-45		Bonnet	XZN3127	XZN3126	XZN3127	XZN3127	XZN3127		
P9-50		N Label	XAL3151	Not used	XAL3168	Not used	Not used		
P9-56	NSP	Screw	BPZ30P080FNI	BPZ30P080FZK	BPZ30P080FNI	BPZ30P080FNI	BPZ30P080FNI		
P9-57		Screw	FBT40P080FNI	FBT40P080FZK	FBT40P080FNI	FBT40P080FNI	FBT40P080FNI		
P9-62		Screw	BBT30P100FCC	BBZ30P080FZK	BBZ30P080FZK	BBZ30P080FZK	BBZ30P080FZK		
△		AC Inlet Assy	Not used	ADX7395	ADX7395	Not used	Not used		No. 3
		J38 5P F.F.C/30V	Not used	XDD3104	XDD3104	XDD3104	XDD3104		No. 4
△		Fuse (FU2, FU3 : T2.5A)	Not used	REK1026	REK1026	REK1026	Not used		No. 5
		Voltage Selector	Not used	AKX-507	AKX-507	AKX-507	Not used		No. 6
NSP		Fuse Card	Not used	XAX3218	XAX3218	XAX3218	Not used		
NSP		SISIR Label	Not used	Not used	Not used	XAX3361	Not used		
NSP		KTL Label D712	Not used	Not used	Not used	Not used	XAX3386		
FRONT PANEL SECTION									
P11- 7		Pioneer Badge	VAM1129	XAM3006	VAM1129	VAM1129	VAM1129		
P11- 8		Select Knob	XAB3024	XAB3023	XAB3024	XAB3024	XAB3024		
P11- 9		Volume Knob	XAB3026	XAB3025	XAB3026	XAB3026	XAB3026		
P11-11		FRT Panel	XMB3105	XMB3115	XMB3116	XMB3116	XMB3116		
P11-12		BN Cover	XAK3380	XAK3355	XAK3379	XAK3379	XAK3379		
P11-14		Cushion	XED3002	XED3001	XED3002	XED3002	XED3002		
P11-16		Panel Stay	XMB3103	XMB3101	XMB3103	XMB3103	XMB3103		
P11-21		Door	XAK3357	XAK3356	XAK3357	XAK3357	XAK3357		
P11-22		Door Cover	XAK3359	XAK3358	XAK3359	XAK3359	XAK3359		

Notes : ●The numbers in the remarks column correspond to the numbers on the “ EXPLODED VIEWS ”.

● For PCB ASSEMBLIES, Refer to “CONTRAST OF PCB ASSEMBLIES”, “PCB PARTS LIST”, “2. SCHEMATIC DIAGRAM” and “3. PCB CONNECTION DIAGRAM”.

■ EXPLODED VIEWS

■ EXTERIOR SECTION



■ CONTRAST OF PCB ASSEMBLIES

A **AF MAIN ASSY**

XWK3093, XWK3094 and XWK3092 are constructed the same except for the following :

Mark	Symbol and Description	Part No.			Remarks
		XWK3092	XWK3093	XWK3094	
	IC5001	BU1924F	Not used	Not used	
	Q5002	2SC3326	Not used	Not used	
	Q5003	DTC143EK	Not used	Not used	
	Q5004	2SA1037K	Not used	Not used	
	L5001	LFEA2R2J	Not used	Not used	
	C5008	CKSRYP472K50	Not used	Not used	
	C5009	CEAT1R0M50	Not used	Not used	
	C5011	CEAT2R2M50	Not used	Not used	
	C5013, C5014	CCSRCH270J50	Not used	Not used	
	C5015	CEAT101M10	Not used	Not used	
	C5016	CKSRYP102K50	Not used	Not used	
	C5017	CCSRCH561J50	Not used	Not used	
	R5009, R5012, R5013	RS1/16S102J	Not used	Not used	
	R5010	RS1/16S104J	Not used	Not used	
	R5011	RS1/16S333J	Not used	Not used	
	R5014	RS1/16S473J	Not used	Not used	
	R5015	RS1/16S222J	Not used	Not used	
	R9026	RS1/16S332J	RS1/16S751J	RS1/16S182J	
	X5001 CRISTAL RESONATOR (4.332MHz)	ASS7004	Not used	Not used	

B **CF AMP & PRIMARY ASSY**

XWZ3668, XWZ3695 and XWZ3667 are constructed the same except for the following :

Mark	Symbol and Description	Part No.			Remarks
		XWZ3667	XWZ3668	XWZ3695	
	C701, C702 (4700μF/63V)	XCH3016	Not used	Not used	
	C701, C702 (4700μF/71V)	Not used	XCH3013	XCH3013	
	R703, R704	RD1/4PU683J	RD1/4PU623J	RD1/4PU623J	
	R707, R708	RD1/4PU154J	RD1/4PU184J	RD1/4PU184J	
	H53-H56 FUSE CLIP	Not used	AKR7001	Not used	
	53 TERMINAL 3P	Not used	AKC-081	AKC-081	
	J11 BOARD IN JUMPER WIRED	Not used	DB215NB0	Not used	
	J12 BOARD IN JUMPER WIRED	Not used	DB815NB0	Not used	
	J13 BOARD IN JUMPER WIRED	Not used	DB015NB0	Not used	
	T51 STANDBY TRANSFORMER	ATT7040	ATT7041	ATT7041	

C **DF VIDEO ASSY**

XWZ3644 and XWZ3645 are constructed the same except for the following :

Mark	Symbol and Description	Part No.		Remarks
		XWZ3645	XWZ3644	
△	R313, R316	RS3LMF560J	RS3LMF390J	

D **KF BOARD TO BOARD ASSY**

XWZ3664 and XWZ3665 are constructed the same except for the following :

Mark	Symbol and Description	Part No.		Remarks
		XWZ3665	XWZ3664	
	CN392 5P CONNECTOR	Not used	52045-0545	

WF FM/AM TUNER MODULE

XXQ3003 and AXQ7232 are constructed the same except for the following :

Mark	Symbol and Description	Part No.		Remarks
		AXQ7232	XXQ3003	
	C216, C217 R218, R219	CKSRYB103K50 RS1/16S681J	CKSRYB123K50 RS1/16S102J	

PCB PARTS LIST

Mark	No.	Description	Part No.
------	-----	-------------	----------

UF COMPONENT ASSY

SEMICONDUCTORS

IC552		NJM2581M
IC551		TC74HC4053AF
D551, D552		1SS355

CAPACITORS

C551-C554		CEAT101M10
C555-C562, C566, C568		CKSRYB103K50

RESISTORS

All Resistors		RS1/16S###J
---------------	--	-------------

OTHERS

CN551 5P CONNECTOR		52045-0545
JA553 3P RCA PINJACK		AKB7124
JA551 6P RCA PINJACK		AKB7128

XF VOLTAGE SELECT SW ASSY

SWITCHES AND RELAYS

△ S51	VOLTAGE SELECTOR	AKX1033
-------	------------------	---------

2. SCHEMATIC DIAGRAM

Note : When ordering service parts, be sure to refer to "EXPLODED VIEWS and PARTS LIST" or "PCB PARTS LIST"

2.1 AMP&PRIMARY and VOLTAGE SELECT SW ASSYS

A

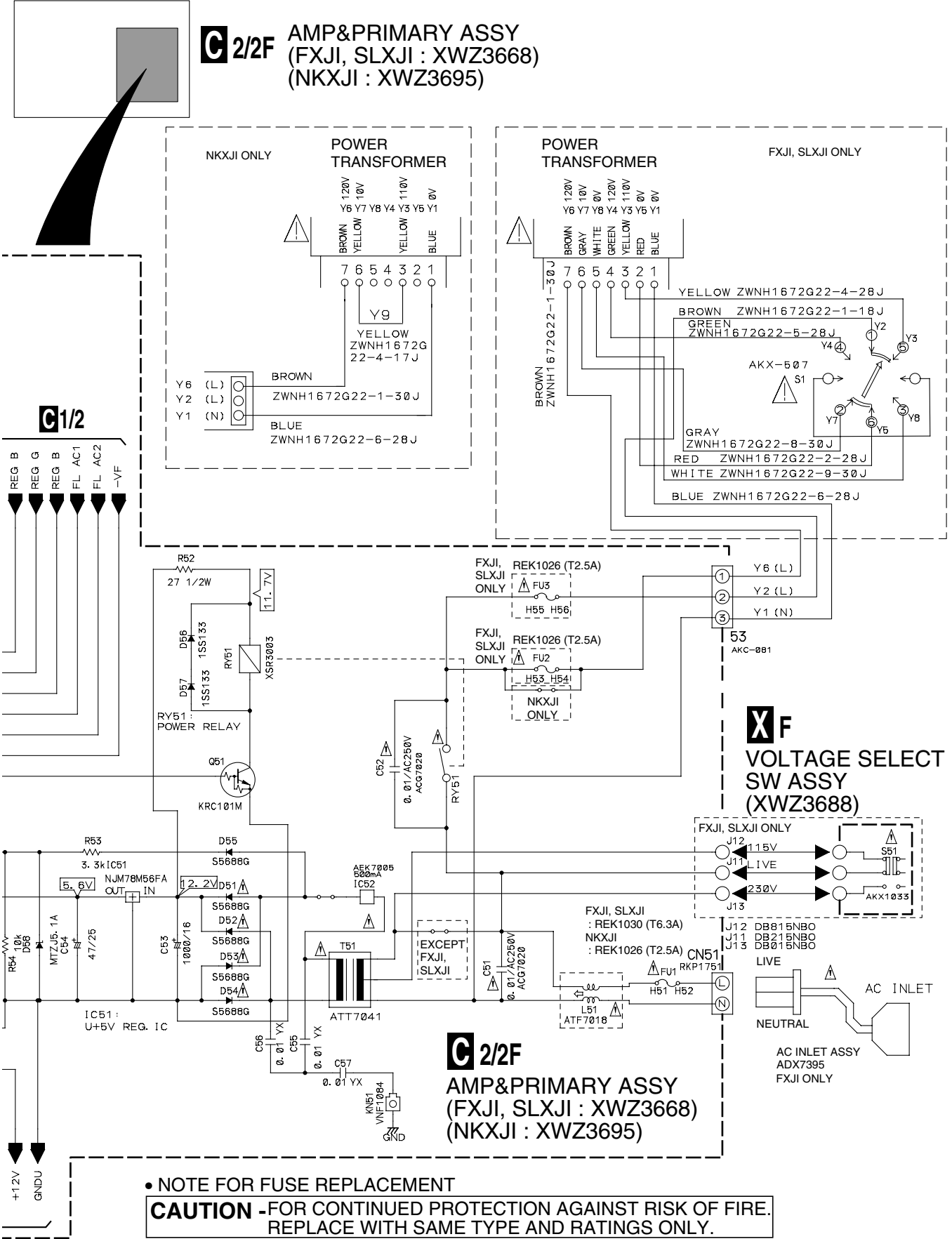
B

C

D

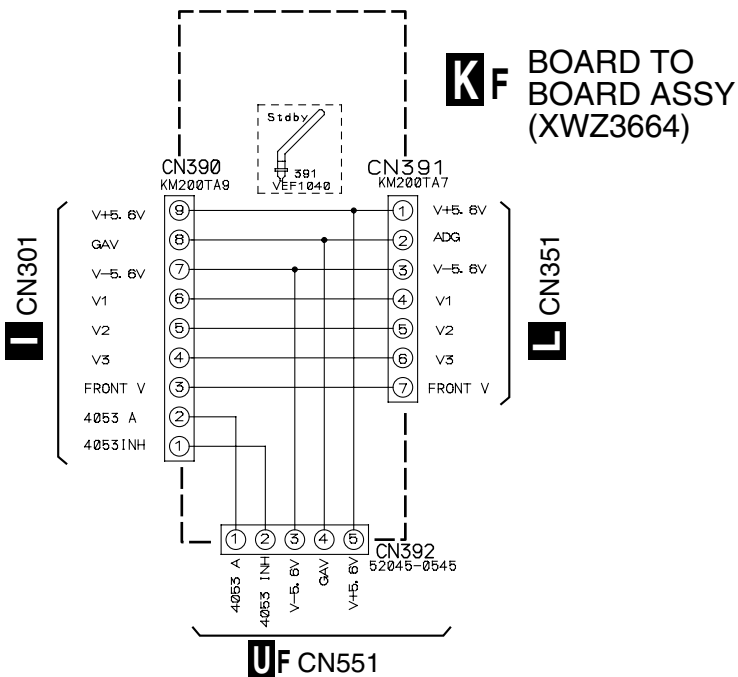
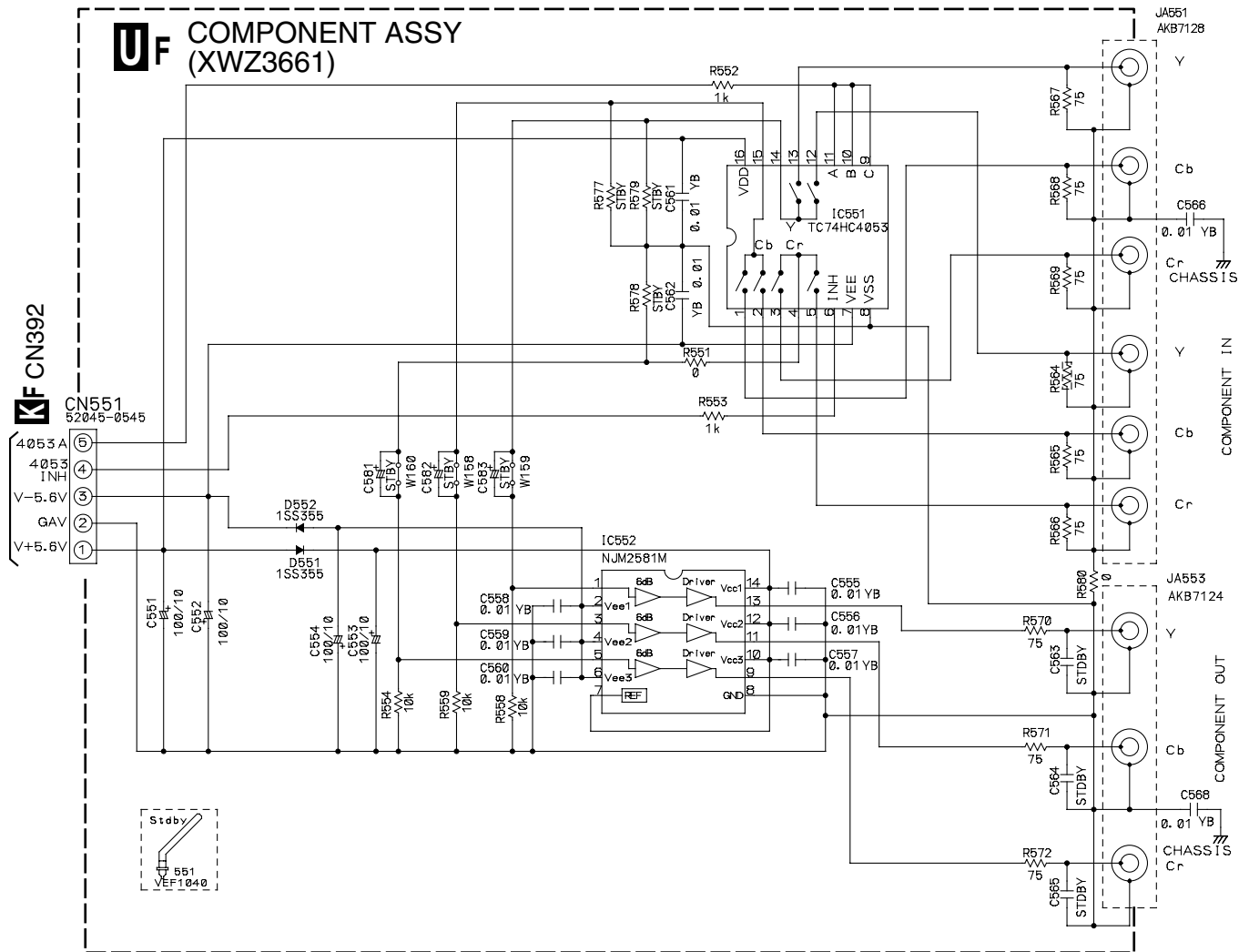
E

F



C 2/2F X F

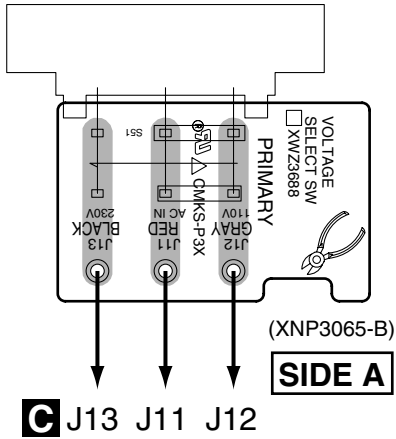
2.2 BOARD TO BOARD and COMPONENT ASSYS



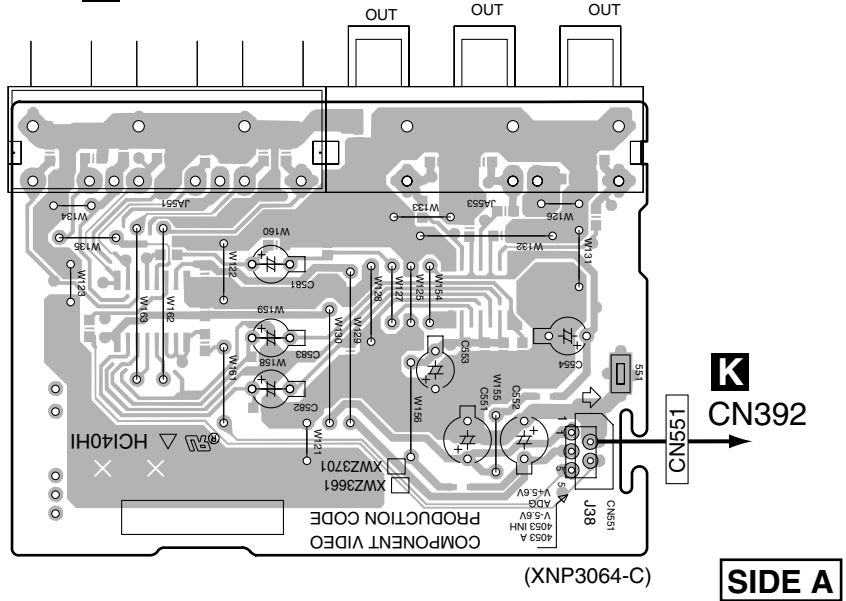
3. PCB CONNECTION DIAGRAM

3.1 COMPONENT and VOLTAGE SELECT SW ASSYS

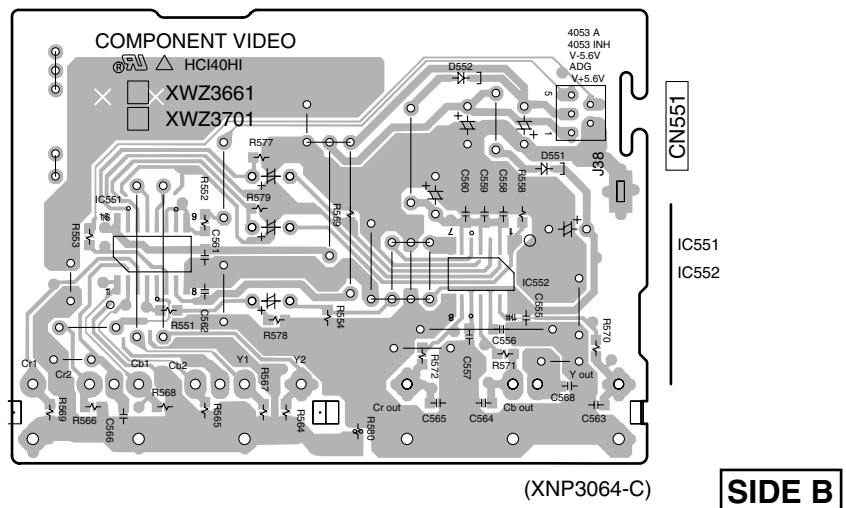
X F VOLTAGE SELECT SW ASSY



U F COMPONENT ASSY



U F COMPONENT ASSY



U F X F

U F X F