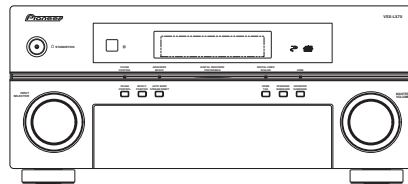


Service Manual



VSX-LX70

ORDER NO.
RRV3653

AUDIO/VIDEO MULTI-CHANNEL RECEIVER

VSX-LX70

VSX-LX60

THIS MANUAL IS APPLICABLE TO THE FOLLOWING MODEL(S) AND TYPE(S).

Model	Type	Power Requirement	The voltage can be converted by the following method.
VSX-LX70	HYXJ5	AC 220 V to 230 V	AC240V,*
VSX-LX60	HYXJ5	AC 220 V to 230 V	AC240V,*

*:Alter the wiring of the power-supply block at the primary winding of Power transformer referring to the Line Voltage Selection described in this Service Manual ("11.18 TRANS1 and PRIMARY ASSYS").



For details, refer to "Important Check Points for good servicing".

SAFETY INFORMATION



A

This service manual is intended for qualified service technicians ; it is not meant for the casual do-it-yourselfer. Qualified technicians have the necessary test equipment and tools, and have been trained to properly and safely repair complex products such as those covered by this manual. Improperly performed repairs can adversely affect the safety and reliability of the product and may void the warranty. If you are not qualified to perform the repair of this product properly and safely, you should not risk trying to do so and refer the repair to a qualified service technician.

B

C

D

E

F

[Important Check Points for Good Servicing]

In this manual, procedures that must be performed during repairs are marked with the below symbol. Please be sure to confirm and follow these procedures.

1. Product safety



Please conform to product regulations (such as safety and radiation regulations), and maintain a safe servicing environment by following the safety instructions described in this manual.

- ① Use specified parts for repair.

Use genuine parts. Be sure to use important parts for safety.

- ② Do not perform modifications without proper instructions.

Please follow the specified safety methods when modification (addition/change of parts) is required due to interferences such as radio/TV interference and foreign noise.

- ③ Make sure the soldering of repaired locations is properly performed.

When you solder while repairing, please be sure that there are no cold solder and other debris. Soldering should be finished with the proper quantity. (Refer to the example)

- ④ Make sure the screws are tightly fastened.

Please be sure that all screws are fastened, and that there are no loose screws.

- ⑤ Make sure each connectors are correctly inserted.

Please be sure that all connectors are inserted, and that there are no imperfect insertion.

- ⑥ Make sure the wiring cables are set to their original state.

Please replace the wiring and cables to the original state after repairs. In addition, be sure that there are no pinched wires, etc.

- ⑦ Make sure screws and soldering scraps do not remain inside the product.

Please check that neither solder debris nor screws remain inside the product.

- ⑧ There should be no semi-broken wires, scratches, melting, etc. on the coating of the power cord.

Damaged power cords may lead to fire accidents, so please be sure that there are no damages. If you find a damaged power cord, please exchange it with a suitable one.

- ⑨ There should be no spark traces or similar marks on the power plug.

When spark traces or similar marks are found on the power supply plug, please check the connection and advise on secure connections and suitable usage. Please exchange the power cord if necessary.

- ⑩ Safe environment should be secured during servicing.

When you perform repairs, please pay attention to static electricity, furniture, household articles, etc. in order to prevent injuries. Please pay attention to your surroundings and repair safely.

2. Adjustments



To keep the original performance of the products, optimum adjustments and confirmation of characteristics within specification. Adjustments should be performed in accordance with the procedures/instructions described in this manual.

3. Lubricants, Glues, and Replacement parts



Use grease and adhesives that are equal to the specified substance. Make sure the proper amount is applied.

4. Cleaning



For parts that require cleaning, such as optical pickups, tape deck heads, lenses and mirrors used in projection monitors, proper cleaning should be performed to restore their performances.

5. Shipping mode and Shipping screws



To protect products from damages or failures during transit, the shipping mode should be set or the shipping screws should be installed before shipment. Please be sure to follow this method especially if it is specified in this manual.

CONTENTS

- SAFETY INFORMATION..... 2
- 1. SERVICE PRECAUTIONS 6
 - 1.1 NOTES ON SOLDERING 6
- 2. SPECIFICATIONS 7
 - 2.1 ACCESSORIES 7
 - 2.2 SPECIFICATIONS 8
 - 2.3 PANEL FACILITIES..... 9
- 3. BASIC ITEMS FOR SERVICE..... 15
 - 3.1 CHECK POINTS AFTER SERVICING..... 15
 - 3.2 PCB LOCATIONS 16
 - 3.3 JIGS LIST 18
- 4. BLOCK DIAGRAM..... 20
 - 4.1 OVERALL WIRING DIAGRAM 20
 - 4.2 AUDIO BLOCK DIAGRAM..... 22
 - 4.3 COMPOSITE V BLOCK DIAGRAM 24
 - 4.4 S-VIDEO BLOCK DIAGRAM 25
 - 4.5 COMPONENT & VOL BLOCK DIAGRAM 26
 - 4.6 DSP BLOCK DIAGRAM..... 27
 - 4.7 HDMI & DLNA BLOCK DIAGRAM (VSX-LX70)..... 28
 - 4.8 HDMI & DVC BLOCK DIAGRAM 29
 - 4.9 MICROCOMPUTER BLOCK DIAGRAM..... 30
- 5. DIAGNOSIS..... 31
 - 5.1 DIAGNOSIS FLOWCHART 31
 - 5.2 CIRCUIT DESCRIPTION 73
- 6. SERVICE MODE 75
 - 6.1 SERVICE MODE..... 75
- 7. DISASSEMBLY 80
- 8. EACH SETTING AND ADJUSTMENT 87
 - 8.1 ADJUSTMENT 87
 - 8.2 HOW TO UPDATE THE DSP FLASH ROM BY PLAYING BACK A CD 87
 - 8.3 HOW TO UPDATE THE FLASH ROMS FOR VARIOUS MICROCOMPUTERS 90
- 9. EXPLODED VIEWS AND PARTS LIST..... 92
 - 9.1 PACKING 92
 - 9.2 EXTERIOR SECTION..... 94
 - 9.3 CHASSIS SECTION 96
 - 9.4 REAR PANEL SECTION..... 98
 - 9.5 POWER AMP SECTION..... 100
 - 9.6 FRONT PANEL SECTION 102
- 10. SCHEMATIC DIAGRAM 104
 - 10.1 AUDIO & MULTI CH IN ASSY 104
 - 10.2 V-AUDIO ASSY..... 106
 - 10.3 FRONT-IN and HEADPHONE ASSYS 108
 - 10.4 BRIDGE1, BRIDGE2, TRANS SIDE and BRIDGE3 ASSYS 110
 - 10.5 COMPOSITE V ASSY 112
 - 10.6 S-VIDEO ASSY..... 114
 - 10.7 COMPONENT & VOL ASSY (1/4) 116
 - 10.8 COMPONENT & VOL ASSY (2/4) 118
 - 10.9 COMPONENT & VOL ASSY (3/4) 120
 - 10.10 COMPONENT & VOL ASSY (4/4) 122
 - 10.11 DIGITAL MOTHER ASSY (1/7) 124
 - 10.12 DIGITAL MOTHER ASSY (2/7) 126
 - 10.13 DIGITAL MOTHER ASSY (3/7) 128
 - 10.14 DIGITAL MOTHER ASSY (4/7) 130
 - 10.15 DIGITAL MOTHER ASSY (5/7) 132
 - 10.16 DIGITAL MOTHER ASSY (6/7) 134
 - 10.17 DIGITAL MOTHER ASSY (7/7) 136
 - 10.18 DSP ASSY (1/3)..... 138
 - 10.19 DSP ASSY (2/3)..... 140
 - 10.20 DSP ASSY (3/3)..... 142
 - 10.21 INTERFACE ASSY (1/2)..... 144
 - 10.22 INTERFACE ASSY (2/2)..... 146
 - 10.23 POWER AMP IN and POWER PROTECT ASSYS 148
 - 10.24 POWER AMP L ASSY 150
 - 10.25 POWER AMP R ASSY 152
 - 10.26 LOCAL SUPPLY and DC/DC ASSYS..... 154

10.27 TRANS2-1, VH-TR, DIODE and SP/PS ASSYS	156	
10.28 TRANS2-2,TRANS1 and PRIMARY ASSYS.....	158	
10.29 VOLUME, DISPLAY, POWER SW and INPUT SELECT ASSYS.....	160	
10.30 PREOUT & CONTROL ASSY	162	
10.31 HDMI & DLNA ASSY (1/4) (VSX-LX70)	164	A
10.32 HDMI & DLNA ASSY (2/4) (VSX-LX70)	166	
10.33 HDMI & DLNA ASSY (3/4) (VSX-LX70)	168	
10.34 HDMI & DLNA ASSY (4/4) (VSX-LX70)	170	
10.35 HDMI & DVC ASSY (1/3) (VSX-LX60)	172	
10.36 HDMI & DVC ASSY (2/3) (VSX-LX60)	174	
10.37 HDMI & DVC ASSY (3/3) (VSX-LX60)	176	
10.38 USB ASSY (VSX-LX60).....	178	
10.39 HDMI POWER, HDMI TRANS and HDMI DIODE ASSYS	180	
11. PCB CONNECTION DIAGRAM	181	
11.1 AUDIO & MULTI CH IN ASSY	182	
11.2 V-AUDIO and HEADPHONE ASSYS	183	
11.3 FRONT-IN ASSY	184	B
11.4 BRIDGE1 and BRIDGE2 ASSYS	185	
11.5 TRANS SIDE and BRIDGE3 ASSYS.....	186	
11.6 COMPOSITE V ASSY	188	
11.7 S-VIDEO ASSY.....	189	
11.8 COMPONENT & VOL ASSY	190	
11.9 DIGITAL MOTHER ASSY	194	
11.10 DSP ASSY	198	
11.11 INTERFACE ASSY	202	
11.12 POWER AMP IN ASSY	206	
11.13 POWER PROTECT ASSY.....	207	
11.14 POWER AMP L and POWER AMP R ASSYS.....	208	
11.15 LOCAL SUPPLY and DC/DC ASSYS.....	212	C
11.16 TRANS2-1, VH-TR, DIODE and TRANS2-2 ASSYS.....	214	
11.17 SP/PS ASSY.....	216	
11.18 TRANS1 and PRIMARY ASSYS	218	
11.19 POWER SW, VOLUME, DISPLAY and INPUT SELECT ASSYS.....	220	
11.20 PREOUT & CONTROL ASSY	224	
11.21 FR BARRIER 1 ASSY.....	225	
11.22 HDMI POWER, HDMI TRANS and HDMI DIODE ASSYS	226	
11.23 HDMI & DLNA ASSY (VSX-LX70)	228	
11.24 HDMI & DVC ASSY (VSX-LX60).....	232	
11.25 USB ASSY (VSX-LX60).....	236	
12. PCB PARTS LIST.....	237	D

1. SERVICE PRECAUTIONS

1.1 NOTES ON SOLDERING

A

- For environmental protection, lead-free solder is used on the printed circuit boards mounted in this unit.
Be sure to use lead-free solder and a soldering iron that can meet specifications for use with lead-free solders for repairs accompanied by reworking of soldering.
- Compared with conventional eutectic solders, lead-free solders have higher melting points, by approximately 40 °C.
Therefore, for lead-free soldering, the tip temperature of a soldering iron must be set to around 373 °C in general, although the temperature depends on the heat capacity of the PC board on which reworking is required and the weight of the tip of the soldering iron.

Do NOT use a soldering iron whose tip temperature cannot be controlled.

B

Compared with eutectic solders, lead-free solders have higher bond strengths but slower wetting times and higher melting temperatures (hard to melt/easy to harden).

The following lead-free solders are available as service parts:

- Parts numbers of lead-free solder:
GYP1006 1.0 in dia.
GYP1007 0.6 in dia.
GYP1008 0.3 in dia.

C

D

E

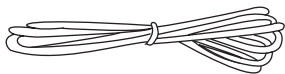
F

2. SPECIFICATIONS

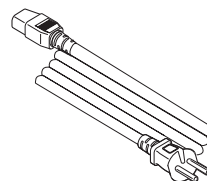
2.1 ACCESSORIES



AM Loop Antenna
(ATB7013)



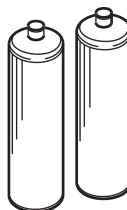
FM Wire Antenna
(ADH7030)



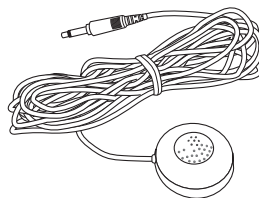
AC Power Cord
(ADG7062)



Remote Control Unit
(VSX-LX70 : AXD7505)
(VSX-LX60 : AXD7502)



AA/IEC R6P Dry Cell Batteries
(VEM1031)



Setup Microphone
(for Auto MCACC setup)
(APM7008)

2.2 SPECIFICATIONS

Amplifier Section

Continuous Power Output (Stereo)

Front	180 W + 180 W (LX70), 170 W + 170 W (LX60)
	(DIN 1 kHz, THD 1 %, 6 Ω)
Front	150 W + 150 W (LX70), 140 W + 140 W (LX60)
	(DIN 1 kHz, THD 1 %, 8 Ω)

Continuous Power Output (Multichannel)

(DIN 1 kHz, THD 1 %, 6 Ω)

Front	180 W + 180 W (LX70), 170 W + 170 W (LX60)
Center	180 W (LX70), 170 W (LX60)
Surround	180 W + 180 W (LX70)
	170 W + 170 W (LX60)
Surround back	180 W + 180 W (LX70)
	170 W + 170 W (LX60)

(DIN 1 kHz, THD 1 %, 8 Ω)

Front	150 W + 150 W (LX70), 140 W + 140 W (LX60)
Center	150 W (LX70), 140 W (LX60)
Surround	150 W + 150 W (LX70)
	140 W + 140 W (LX60)
Surround back	150 W + 150 W (LX70)
	140 W + 140 W (LX60)

Rated Power Output – Stereo (20 Hz to 20 kHz, 0.09 %, 8 Ω)	140 W+140 W (LX70), 130 W+130 W (LX60)
--	--

- The above specifications are applicable when the power supply is 230V.

Audio Section

Input (Sensitivity/Impedance)

LINE..... 335 mV/47 kΩ

Frequency Response (LINE)..... 5 Hz to 100 000 Hz ± 0.3 dB

Output (Level/Impedance)

REC..... 335 mV/2.2 kΩ

Tone Control

BASS..... ± 6 dB (100 Hz)

TREBLE..... ± 6 dB (10 kHz)

LOUDNESS..... +4 dB/+2 dB (100 Hz/10 kHz)
(at volume position -40 dB)

Signal-to-Noise Ratio (IHF, short circuited, A network)

LINE..... 103 dB

Signal-to-Noise Ratio

[DIN (continuous rated power output/50 mW)]

LINE..... 92 dB/65 dB

Composite Video / S-Video Section

Input (Sensitivity/Impedance)..... 1 V_{p-p}/75 Ω

Output (Level/Impedance)..... 1 V_{p-p}/75 Ω

Signal-to-Noise Ratio..... 65 dB

Frequency Response..... 5 Hz to 10 MHz

Component Video Section

Input (Sensitivity/Impedance)..... 1 V_{p-p}/75 Ω

Output (Level/Impedance)..... 1 V_{p-p}/75 Ω

Signal-to-Noise Ratio..... 65 dB

Frequency Response..... 5 Hz to 100 MHz

FM Tuner Section

Frequency Range..... 87.5 MHz to 108 MHz

Usable Sensitivity..... Mono: 15.2 dBf, IHF (1.6 μV/75 Ω)

50 dB Quieting Sensitivity..... Mono: 20.2 dBf

Stereo: 41.2 dBf

Sensitivity (DIN)..... Mono: 1.1 μV (S/N 26 dB)

Stereo: 50 μV (S/N 46 dB)

Signal-to-Noise Ratio..... Mono: 76 dB (at 85 dBf)

Stereo: 72 dB (at 85 dBf)

Signal-to-Noise Ratio (DIN)..... Mono: 62 dB

Stereo: 58 dB

Distortion..... Stereo: 0.6 % (1 kHz)

Alternate Channel Selectivity..... 70 dB (400 kHz)

Stereo Separation..... 40 dB (1 kHz)

Frequency Response..... 30 Hz to 15 kHz ± 1 dB

Antenna Input..... 75 Ω unbalanced

AM Tuner Section

Frequency Range..... 531 kHz to 1602 kHz (9 kHz step)

Sensitivity (IHF, Loop antenna)..... 350 μV/m

Selectivity..... 30 dB

Signal-to-Noise Ratio..... 50 dB

Antenna..... Loop antenna

Miscellaneous

Power Requirements..... AC 220 V to 230 V, 50 Hz/60 Hz

Power Consumption..... 460 W

In standby..... 0.6 W (HDMI Control OFF)

0.8 W (HDMI Control ON)

AC Outlet..... (switched) 100 W/0.4 A MAX.

Dimensions..... 420 (W) mm x 187 (H) mm x 459 (D) mm

Weight (without package)..... 17.0 kg

Furnished Parts

Setup microphone (for Auto MCACC setup)..... 1

AA/IEC R6P dry cell batteries..... 2

Remote control unit..... 1

AM loop antenna..... 1

FM wire antenna..... 1

Power cord..... 1

Warranty card..... 1

Operating instructions

Operating instructions for HOME MEDIA GALLERY

(VSX-LX70 only)



Note

- Specifications and the design are subject to possible modifications without notice, due to improvements.

Manufactured under license from Dolby Laboratories. “Dolby”, “Pro Logic”, “Surround EX”, and the double-D symbol are trademarks of Dolby Laboratories.

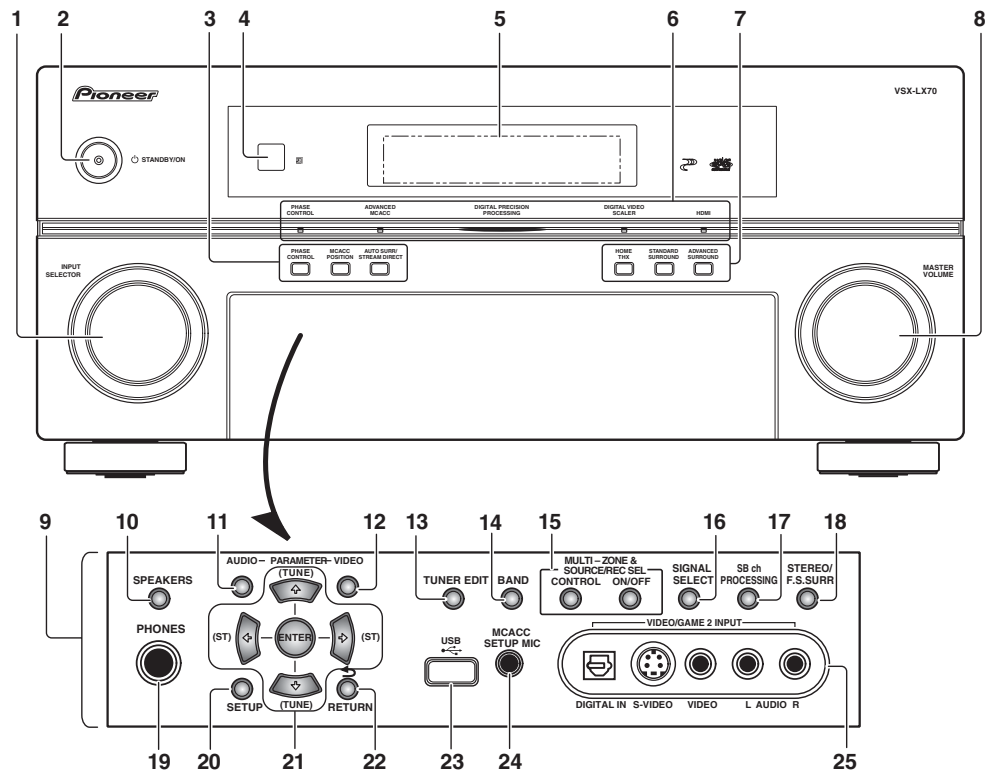
“DTS” is a registered trademark of DTS, Inc. and “DTS-HD Master Audio” is a trademark of DTS, Inc.

THX and the THX logo are trademarks of THX Ltd. which may be registered in some jurisdictions. All rights reserved.

2.3 PANEL FACILITIES

● Front Panel

Illustration shows the VSX-LX70 front panel



1 INPUT SELECTOR dial
Use to select an input source.

2 STANDBY/ON
Switches the receiver between on and standby. Power indicator lights when the receiver is on.

3 PHASE CONTROL – Press to switch on/off Phase Control or Full Band Phase Control.

MCACC POSITION – Press to switch between MCACC presets.

AUTO SURR/STREAM DIRECT – Press to select Auto Surround or Stream Direct listening.

4 Remote sensor
Receives the signals from the remote control.

5 Character display

6 PHASE CONTROL indicator – Lights to indicate Phase Control or Full Band Phase Control is selected.

ADVANCED MCACC indicator – Lights when one of the MCACC presets is selected.¹

Digital Precision Processing indicator – Lights to indicate digital processing (for example, it disappears when Pure Direct is on, or when listening through the multichannel analog inputs).

Note

¹ The MCACC indicator does not light when the MCACC preset memory currently being selected has not been corrected with Acoustic Calibration EQ Professional or when **EQ** is set to **OFF** in the Audio parameter menu.

DIGITAL VIDEO SCALER indicator – Lights when Resolution is set to a setting other than **PURE** (for example, when the video input signal is upscaled).

HDMI indicator – Blinks when connecting an HDMI-equipped component; lights when the component is connected.

7 Listening mode buttons

HOME THX – Press to select a Home THX listening mode.

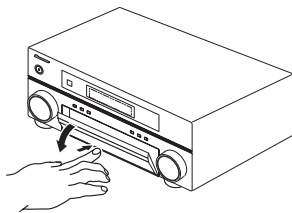
STANDARD SURROUND – Press for Standard decoding and to switch between the various **Pro Logic IIx** and **Neo:6** options.

ADVANCED SURROUND – Use to switch between the various surround modes.

8 MASTER VOLUME dial

9 Front panel controls

To access the front panel controls, push gently on the lower third portion of the panel with your finger.



10 SPEAKERS

Use to change the speaker system.

11 AUDIO PARAMETER

Use to access the Audio options.

12 VIDEO PARAMETER

Use to access the Video options.

13 TUNER EDIT

Use with **←/→** to memorize and name stations for recall.

14 BAND

Switches between AM and FM radio bands.

15 MULTI-ZONE & SOURCE/REC SEL controls

If you've made **MULTI-ZONE** connections use these controls to control the sub zone from the main zone. You will also need to use the **REC SEL** controls when recording a source.

16 SIGNAL SELECT

Use to select an input signal.

17 SBch PROCESSING

Selects the surround back channel mode or virtual surround back mode.

18 STEREO/F.S.SURR

Switches between the stereo playback mode and the Front Stage Surround Advance mode.

19 PHONES jack

Use to connect headphones. When the headphones are connected, there is no sound output from the speakers.

20 SETUP

Press to access the System Setup menu.

21 ↑/↓/←/→ (TUNE/ST) /ENTER

Use the arrow buttons when setting up your surround sound system. Use the **TUNE ↑/↓** buttons to find radio frequencies and use **ST ←/→** to find preset stations.

22 RETURN

Press to confirm and exit the current menu screen.

23 USB interface

Connect a USB audio device for playback.

24 MCACC SETUP MIC jack

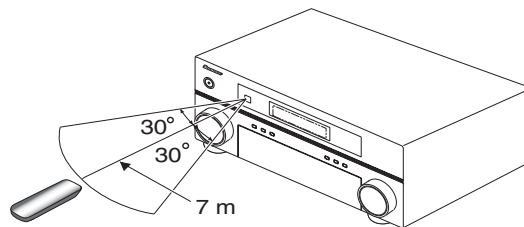
Use to connect the supplied microphone.

25 VIDEO/GAME 2 INPUT

Operating range of remote control unit

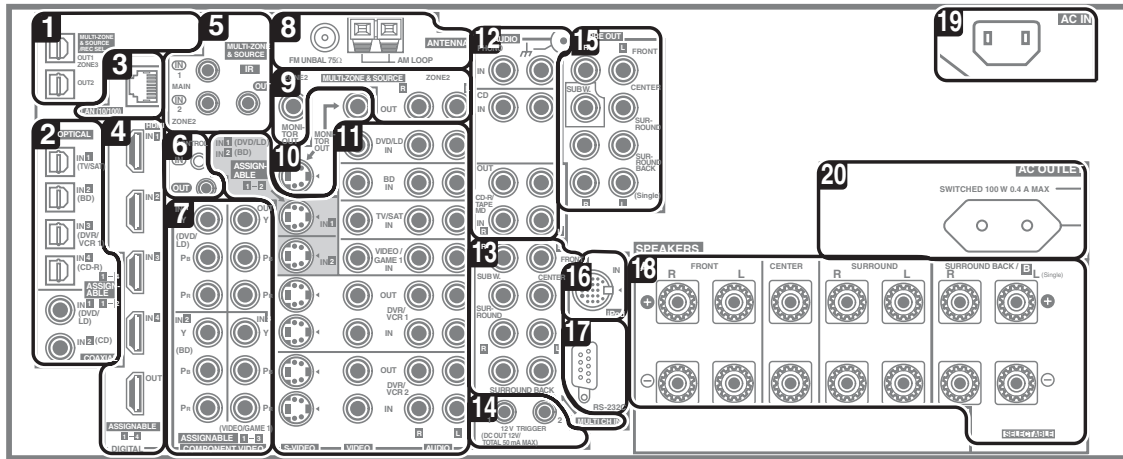
The remote control may not work properly if:

- There are obstacles between the remote control and the receiver's remote sensor.
- Direct sunlight or fluorescent light is shining onto the remote sensor.
- The receiver is located near a device that is emitting infrared rays.
- The receiver is operated simultaneously with another infrared remote control unit.



● Rear Panel

This illustration shows the VSX-LX70, however connections for the VSX-LX60 are the same except where noted.



⚠ Caution

- Before making or changing the connections, switch off the power and disconnect the power cord from the power outlet. Plugging in should be the final step.

1 Optical digital audio output(s)

Use the **OUT1** and (VSX-LX70 only) **OUT2** jack for recording to a CD or MiniDisc recorder. The **OUT1** jack is also used for MULTI-ZONE connections.

2 Optical and coaxial digital audio inputs (x6)

Use for digital audio sources, including DVD players/recorders, digital satellite receivers, CD players, etc.

3 LAN (10/100) terminal (VSX-LX70 only)

Multiple inputs and one output for high-quality audio/video connection to compatible HDMI devices.

5 Remote inputs (MULTI-ZONE and source)

Use for connection to an external remote control sensor for use in a MULTI-ZONE setup, for example.

6 Control input/output

Use to connect other Pioneer components so that you can control all your equipment from a single IR remote sensor.

7 Component video connections (x4)

Use the inputs to connect any video source that has component video output, such as a DVD recorder. Use the output for connection to a monitor or TV.

8 AM and FM antenna terminals

Use to connect indoor or outdoor antennas for radio broadcasts.

9 MULTI-ZONE and source outputs

Use to connect a second amplifier in a separate room.

10 Composite and S-video monitor outputs

Use to connect monitors and TVs.

11 Audio/video source inputs/(outputs) (x6)

Use for connection to audio/visual sources, such as DVD players/recorders, VCRs, etc. Each set of inputs has jacks for composite video, S-video¹ and stereo analog audio.

12 Stereo analog audio source inputs/(outputs) (x3)

Use for connection to audio sources such as CD players, tape decks, turntables, etc.

13 Multichannel analog audio inputs

7.1 channel inputs for connection to a DVD player with multichannel analog outputs.

14 12 V trigger jacks (total 50 mA max.) (x2)

Use to switch components in your system on and off according to the input function of the receiver.

15 Multichannel pre-amplifier outputs

Use to connect separate amplifiers for center, surround, surround back and subwoofer channels.

16 iPod input terminal

Use to connect your Apple iPod as an audio or video source.

17 RS-232C connector

Use for connection to a PC for graphical output when using Advanced MCACC or Full Band Phase Control.

18 Speaker terminals

Use for connection to the main front, center, surround and surround back speakers.

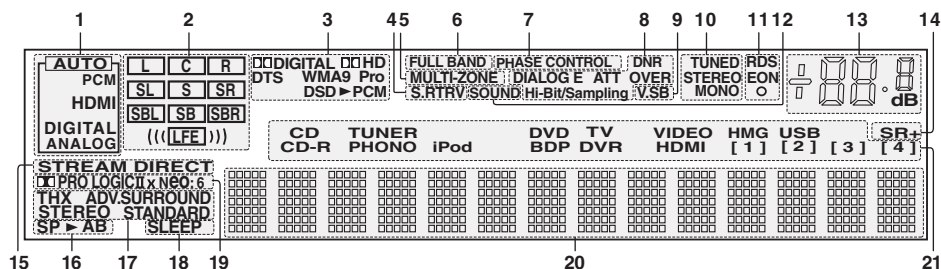
19 AC IN inlet

Connect the supplied power cord here.

20 Switched AC power outlet (100 W/0.4 A max.)

Use to power another component in the system. Power to the outlet switches on and off with the receiver.

● Display



1 SIGNAL indicators

Light to indicate the currently selected input signal.

AUTO lights when the receiver is set to select the input signal automatically.

2 Program format indicators

These change according to which channels are active in digital sources.

L – Left front channel

C – Center channel

R – Right front channel

SL – Left surround channel

S – Surround channel (mono)

SR – Right surround channel

SBL – Left surround back channel

SB – Surround back channel (mono)

SBR – Right surround back channel

LFE – Low frequency effects channel (the ((())) indicators light when an LFE signal is being input)

3 Digital format indicators

Light when a signal encoded in the corresponding format is detected (**DSD > PCM** lights during DSD (Digital Stream Direct) to PCM conversion with SACDs).

4 S.RTRV

Lights when the Sound Retriever is switched on.

5 MULTI-ZONE

Lights when the MULTI-ZONE feature is active.

6 FULL BAND

Lights when the Full Band Phase Control is switched on.

7 PHASE CONTROL

Lights when the Phase Control or Full Band Phase Control is switched on.

8 Sound processing indicators

Light according to the active Audio parameter(s) and/or **ANALOG ATT**.

9 V.SB

Lights during Virtual surround back processing.

10 TUNER indicators

TUNED – Lights when a broadcast is being received.

STEREO – Lights when a stereo FM broadcast is being received in auto stereo mode.

MONO – Lights when the mono mode is set using the **MPX** button.

11 EON/RDS indicators

EON – Lights when the EON mode is set (flashes during EON reception). The **o** indicator lights when the current station carries the EON service.

RDS – Lights when an RDS broadcast is received.

12 SOUND

Lights when any of the Midnight, Loudness or tone controls feature is selected.

13 Master volume level

Shows the overall volume level. **-80dB** indicates the minimum level, and **+12dB** indicates the maximum level.

14 SR+

Lights when the SR+ mode is switched on.

15 STREAM DIRECT

Lights when Direct/Pure Direct is selected.

16 Speaker indicators

Lights to indicate the current speaker system, A and/or B.

17 Listening mode indicators

THX – Lights when one of the Home THX modes is selected.

ADV.SURROUND – Lights when one of the Advanced Surround modes has been selected.

STEREO – Lights when stereo listening is switched on.

STANDARD – Lights when one of the Standard Surround modes is switched on.

18 SLEEP

Lights when the receiver is in sleep mode.

19 Matrix decoding format indicators

□□ **PRO LOGIC IIx** – This lights to indicate

□□ Pro Logic II / □□ Pro Logic IIx decoding.

Neo:6 – When one of the Neo:6 modes of the receiver is on, this lights to indicate Neo:6 processing.

20 Character display

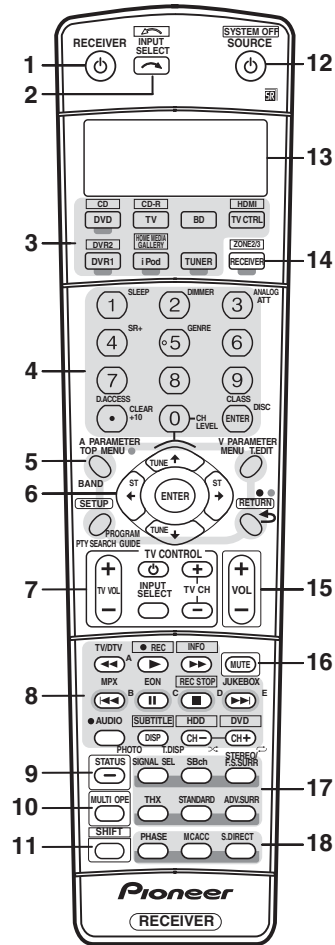
Displays various system information.

21 Input source indicators

Light to indicate the input source you have selected.

Remote Control

Illustration shows the VSX-LX70 remote control




The remote has been conveniently color-coded according to component control using the following system (press the corresponding input source button to access):

- **Green** – Receiver controls (see below)
- **Red** – DVD controls
- **Blue** – Tuner controls
- **Yellow** – iPod controls
- **White** – Other controls

1 RECEIVER

This switches between standby and on for this receiver.

2 INPUT SELECT

Use to select the input source (use **SHIFT** for **INPUT SELECT** ).

3 Input source buttons

Press to select control of other components.

4 Number buttons and other receiver/component controls

Use the number buttons to directly select a radio frequency or the tracks on a CD, DVD, etc.

DISC (ENTER) can be used to enter commands for TV or DTV, and also to select a disc in a multi-CD player.

Press **RECEIVER** first to access:

SLEEP – Use to put the receiver in sleep mode and select the amount of time before sleep.

DIMMER – Dims or brightens the display.

ANALOG ATT – Attenuates (lowers) the level of an analog input signal to prevent distortion.

SR+ – Switches the SR+ mode on/off.

GENRE – Automatically selects the most appropriate Advanced Surround mode for the genre of the source currently being played back (this feature is available only when a Pioneer DVD recorder supporting HDMI Control is connected to this receiver via HDMI).

CH LEVEL – Press repeatedly to select a channel, then use **←/→** to adjust the level.

Press **TUNER** first to access:

D.ACCESS – After pressing, you can access a radio station directly using the number buttons.

CLASS – Switches between the three banks (classes) of radio station presets.

5 Tuner/component control buttons/SETUP

These button controls can be accessed after you have selected the corresponding input source button (**DVD**, **DVR1**, **TV**, etc.). The **BAND**, **T.EDIT** and **PTY SEARCH** tuner controls. Press **RECEIVER** first to access the following controls:

A PARAMETER – Use to access the Audio options.

V PARAMETER – Use to access the Video options.

SETUP – Use to access the System Setup menu.

RETURN – Press to confirm and exit the current menu screen (also use to return to the previous menu with DVDs or to select closed captioning with DTV).

6 **↑/↓/←/→ (TUNE/ST) /ENTER**

Use the arrow buttons when setting up your surround sound system and the Audio or Video options. Also used to control DVD menus/options and for deck 1 of a double cassette deck player. Use the **TUNE ↑/↓** buttons to find radio frequencies and use **ST ←/→** to find preset stations.

7 **TV CONTROL buttons**

These buttons are dedicated to control the TV assigned to the **TV CTRL** button. Thus if you only have one TV to hook up to this system assign it to the **TV CTRL** input source button. If you have two TVs, assign the main TV to the **TV CTRL** button.

TV – Use to turn on/off the power of the TV.

TV VOL +/- – Use to adjust the volume on your TV.

INPUT SELECT – Use to select the TV input signal.

TV CH +/- – Use to select channels.

8 **Component control buttons**

The main buttons (**▶**, **■**, etc.) are used to control a component after you have selected it using the input source buttons.

The controls above these buttons can be accessed after you have selected the corresponding input source button (for example **DVD,DVR1** or **TV**). The following controls can be accessed when listening to the built-in tuner:

MPX – Switches between stereo and mono reception of FM broadcasts. If the signal is weak then switching to mono will improve the sound quality.

DISP – Switches between named station presets and radio frequencies. Also used to display RDS information.

EON – Use to search for programs that are broadcasting traffic or news information.

9 **STATUS**

Press to check selected receiver settings.

10 **MULTI OPE**

Use this button to perform multi operations.

11 **SHIFT**

Press to access the controls outlined in white boxes (for example, **INPUT SELECT**) , or to display the currently selected input source in the remote control LCD.

12 **SOURCE**

Press to turn on/off other components connected to the receiver.

13 **Character display (LCD)**

This display shows information when transmitting control signals.

The following commands are shown when you're setting the remote to control other components:

SETUP – Indicates the setup mode, from which you choose the options below.

PRESET

LEARNING

MULTI OP

SYS OFF

DIRECT F

RENAME

ERASE

RESET

READ ID

14 **RECEIVER**

Switches the remote to control the receiver (used to select the green commands above the number buttons (**ANALOG ATT**, etc.)). Also use this button to set up surround sound. With **SHIFT**, this selects the MULTI-ZONE control, shown in the display as **RCV/Z2**, **RCV/Z3**

15 **VOL +/-**

Use to set the listening volume.

16 **MUTE**

Mutes the sound or restores the sound if it has been muted (adjusting the volume also restores the sound).

17 **Receiver controls**

SIGNAL SEL – Use to select an input signal.

SBch – Use to select the surround/virtual back channel mode.

STEREO/F.S.SURR – Switches between the stereo playback mode and the Front Stage Surround Advance mode.

THX – Press to select a Home THX listening mode.

STANDARD – Press for Standard decoding and to switch between the various Pro Logic IIx and Neo:6 options.

ADV.SURR – Use to switch between the various surround modes.

18 PHASE – Press to switch on/off Phase Control or Full Band Phase Control.

MCACC – Press to switch between MCACC presets

S.DIRECT – Press to select Auto Surround or Stream Direct listening.

3. BASIC ITEMS FOR SERVICE

3.1 CHECK POINTS AFTER SERVICING

To keep the product quality after servicing, confirm recommended check points shown below.

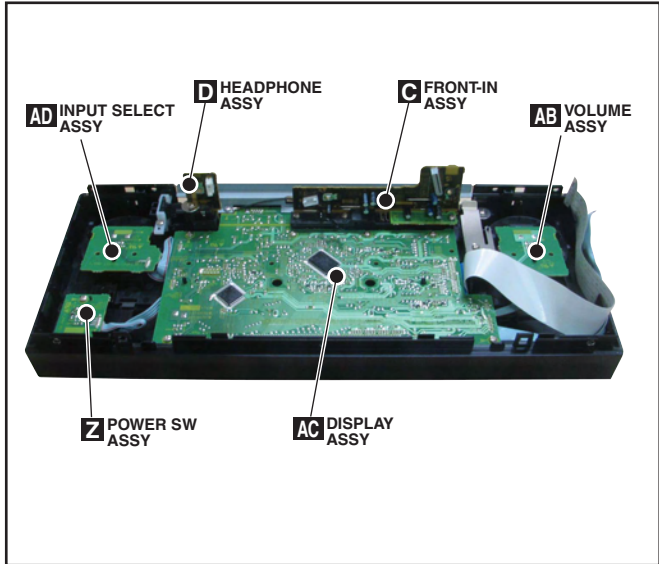
No.	Procedure	Check points
1	Confirm whether the customer complain has been solved. If the customer complain occurs with the particular source, such as Dolby Digital, DTS, AAC, DVD-A and HDMI, input it for the operation check.	The customer complain must not be reappeared. Video, Audio and operations must be normal.
2	Check the analog audio playback. (Make the analog connections with a DVD player.)	Each channel audio and operations must be normal.
3	Check the digital audio playback. (Make the digital connections with a DVD player.)	Each channel audio and operations must be normal.
4	Check surround playback. (Select Surround mode and check the multichannel operations via the DSP circuit.)	Each channel audio and operations must be normal.
5	Check the video outputs. (Connect with a DVD player.)	Video and operations must be normal.
6	Check the sound from headphone output.	Sound must be normal, without noise.
7	Check the appearance of the product.	No scratches or dirt on its appearance after receiving it for service.

See the table below for the items to be checked regarding video and audio:

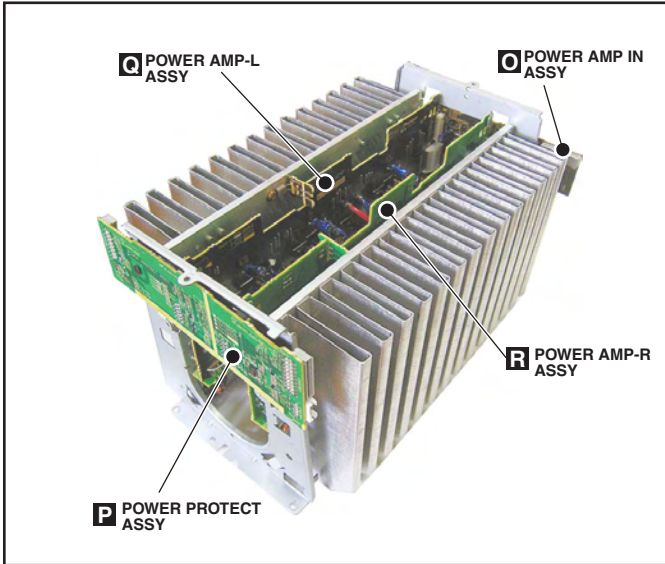
Items to be checked regarding video	Item to be checked regarding audio
Block noise	Distortion
Horizontal noise	Noise
Dot noise	Volume too low
Disturbed image (video jumpiness)	Volume too high
Too dark	Volume fluctuating
Too bright	Sound interrupted
Mottled color	

3.2 PCB LOCATIONS

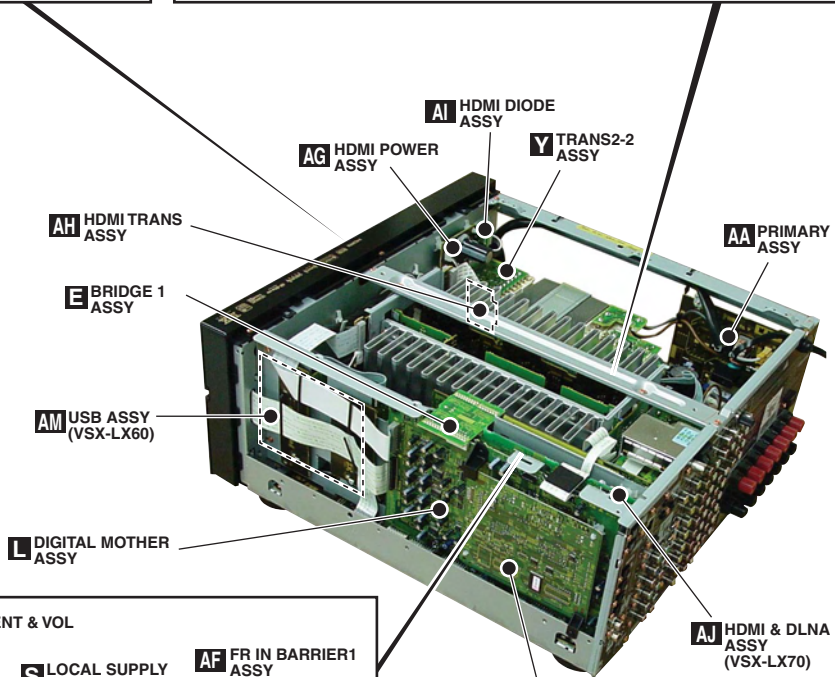
A



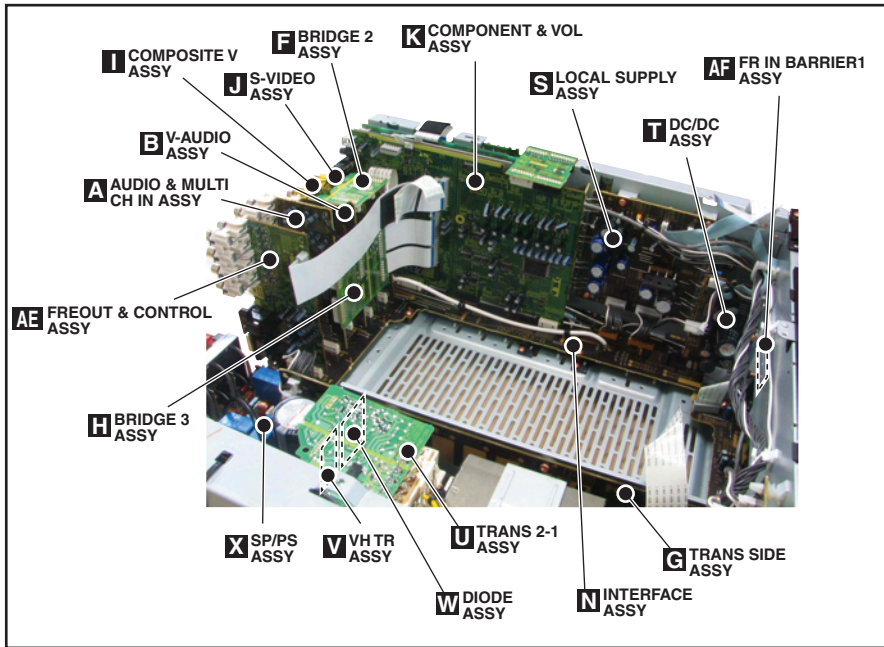
B



C



D



E

F

NOTES: ● Parts marked by "NSP" are generally unavailable because they are not in our Master Spare Parts List.
 ● The Δ mark found on some component parts indicates the importance of the safety factor of the part.
 Therefore, when replacing, be sure to use parts of identical designation.

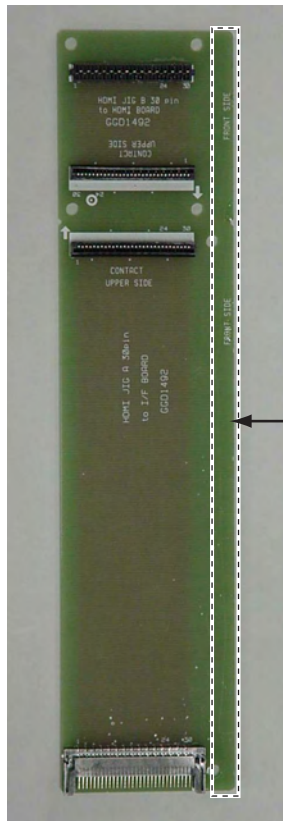
◆ LIST OF ASSEMBLIES

Mark	Symbol and Description	VSX-LX70 /HYXJ5	VSX-LX60 /HYXJ5
NSP	1..POWER AMP ASSY	AWH7012	AWH7012
	2..POWER AMP-L ASSY	AWX8655	AWX8655
	2..POWER AMP-R ASSY	AWX8657	AWX8657
	2..POWER PROTECT ASSY	AWX8659	AWX8659
	2..POWER AMP IN ASSY	AWX8662	AWX8662
NSP	1..COMPLEX ASSY	AWM8082	AWM8087
	2..TRANS 2-2 ASSY	AWX8891	AWX8891
	2..PRIMARY ASSY	AWX8895	AWX8895
NSP	2..FFC GUARD (FRONT) ASSY	AWX8899	AWX8899
	2..DISPLAY ASSY	AWX8900	AWX8900
	2..FRONT-IN ASSY	AWX8902	AWX8904
	2..HEADPHONE ASSY	AWX8905	AWX8905
	2..INPUT SELECT ASSY	AWX8906	AWX8906
	2..VOLUME ASSY	AWX8907	AWX8907
	2..POWER SW ASSY	AWX8908	AWX8908
	1..DIGITAL MOTHER ASSY	AWP7047	AWP7053
NSP	1..VIDEO ASSY	AWQ7056	AWQ7056
	2..COMPOSITE V ASSY	AWX8972	AWX8972
	2..S VIDEO ASSY	AWX8973	AWX8973
	2..PREOUT & CONTROL ASSY	AWX8889	AWX8889
NSP	2..FR IN BARRIER1 ASSY	AWX8948	AWX8948
	1..COMPONENT & VOL ASSY	AWQ7042	AWQ7047
NSP	1..SECONDARY ASSY	AWR7054	AWR7058
	2..SP/PS ASSY	AWX8910	AWX8912
	2..TRANS 2-1 ASSY	AWX8914	AWX8914
NSP	2..DIODE ASSY	AWX8915	AWX8915
	2..VH TR ASSY	AWX8916	AWX8916
	2..DC/DC ASSY	AWX8917	AWX8918
	2..INTERFACE ASSY	AWX8949	AWX8941
NSP	2..TRANS SIDE ASSY	AWX8921	AWX8921
NSP	1..AUDIO ASSY	AWR7062	AWR7065
	2..LOCAL SUPPLY ASSY	AWX8924	AWX8924
	2..AUDIO & MULTI CH IN ASSY	AWX8927	AWX8927
	2..V-AUDIO ASSY	AWX8931	AWX8931
NSP	2..HDMI POWER ASSY	AWX8933	AWX8933
NSP	2..BRIDGE 1 ASSY	AWX8934	AWX8934
NSP	2..BRIDGE 2 ASSY	AWX8935	AWX8935
NSP	2..BRIDGE 3 ASSY	AWX8936	AWX8936
NSP	2..FFC GUARD (SIDE) ASSY	AWX8937	AWX8938
	2..HDMI TRANS ASSY	AWX8939	AWX8939
	2..HDMI DIODE ASSY	AWX8940	AWX8940
	1..DSP ASSY	AWX8869	AWX8869
	1..HDMI & DLNA ASSY	AWX8974	Not used
	1..HDMI & DVC ASSY	Not used	AWX8975
	1..USB ASSY	Not used	AWX8944
	1..FM/AM TUNER MODULE	AXX7248	AXX7248

3.3 JIGS LIST

Jigs list

Name	Jig No.	Remarks
Audio control cable for iPod	XDE7025	Check of iPod
30pin board to board extension cable	GGD1492 (x2)	Diagnosis of HDMI & DLNA Assy
7-pin FFC	VDA1681	Diagnosis of the Network block of HDMI & DLNA Assy
22-pin FFC	GGD1387	Diagnosis of the Network block of HDMI & DLNA Assy



Before using GGD1492, it is necessary to cut this part.

CLEANING



Before shipping out the product, be sure to clean the following positions by using the prescribed cleaning tools:

Position to be cleaned	Cleaning tools
Fans	Cleaning paper : GED-008

■

5

■

6

■

7

■

8

■

A

■

B

■

C

■

D

■

E

■

F

■

5

■

6

VSX-LX70

■

7

■

8

■

4. BLOCK DIAGRAM

4.1 OVERALL WIRING DIAGRAM

A

The Δ mark found on some component parts indicates the importance of the safety factor of the part. Therefore, when replacing, be sure to use parts of identical designation.

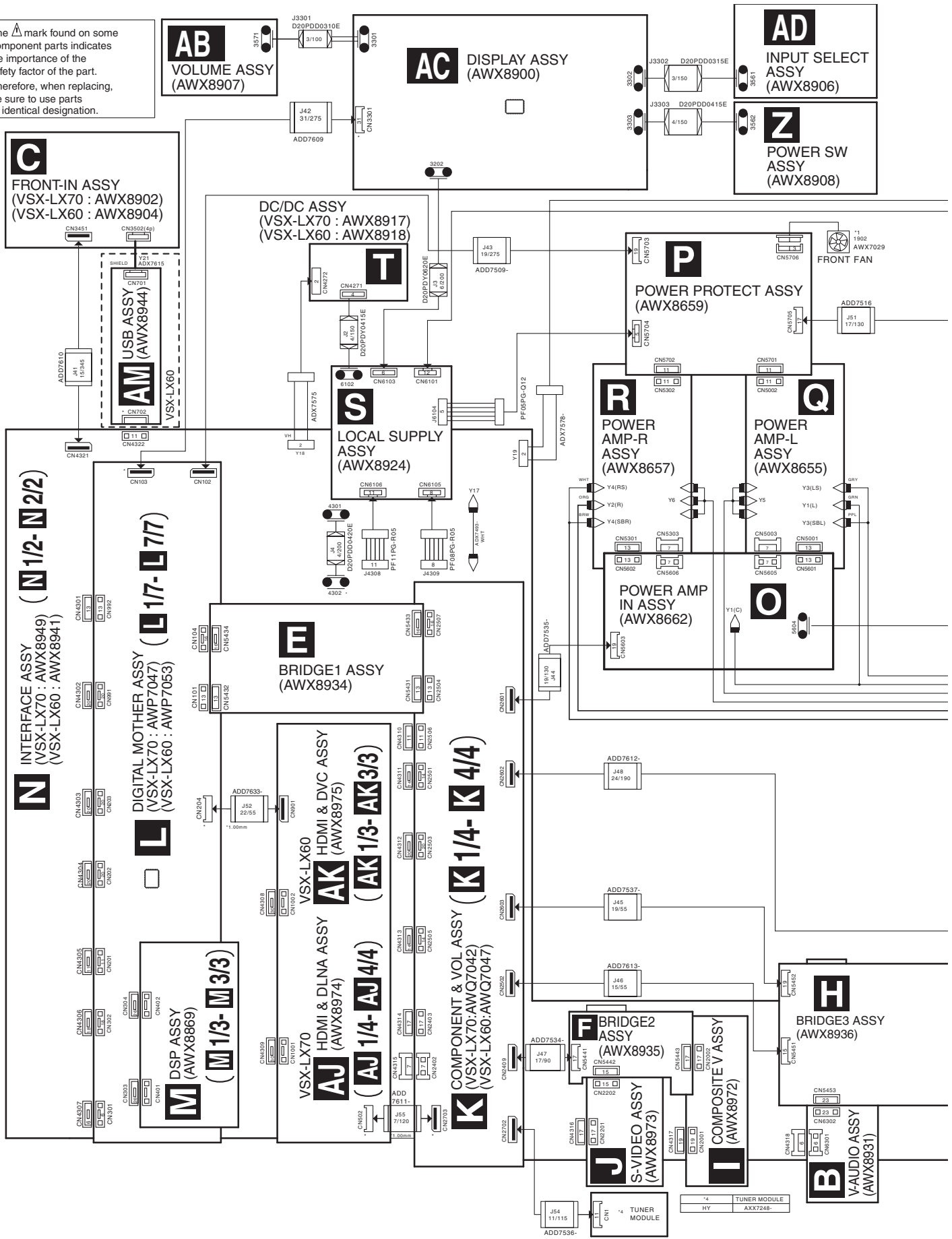
B

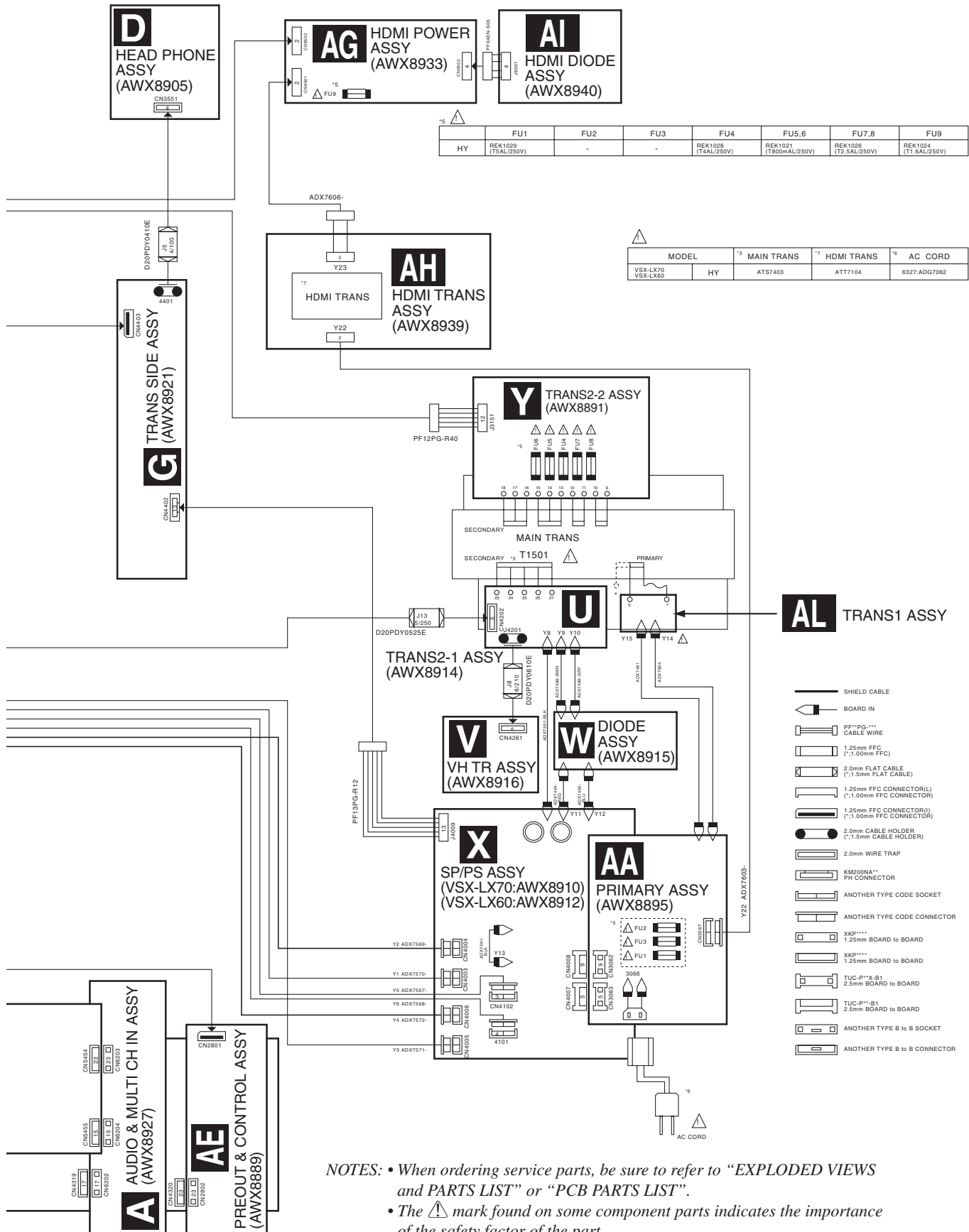
C

D

E

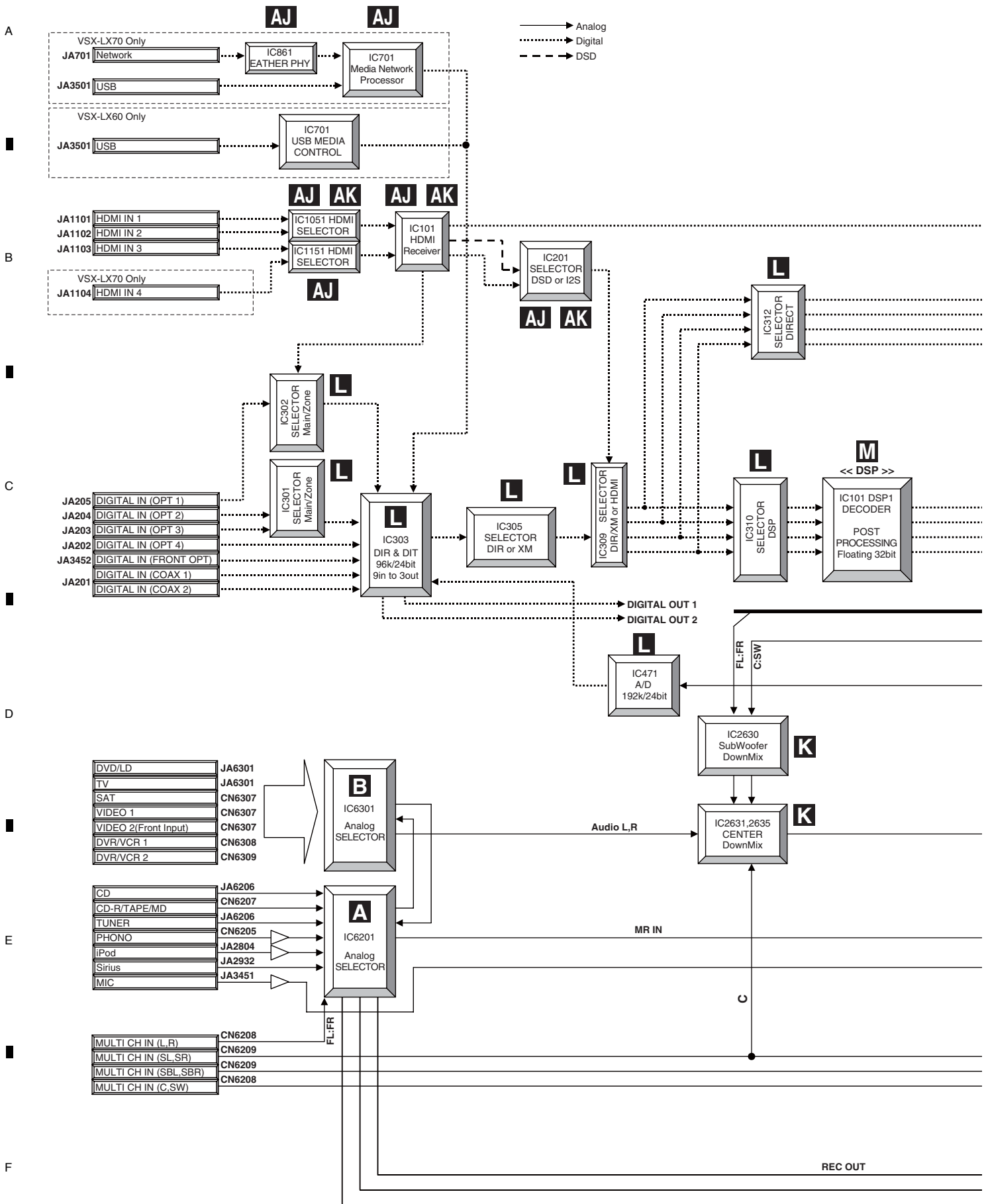
F

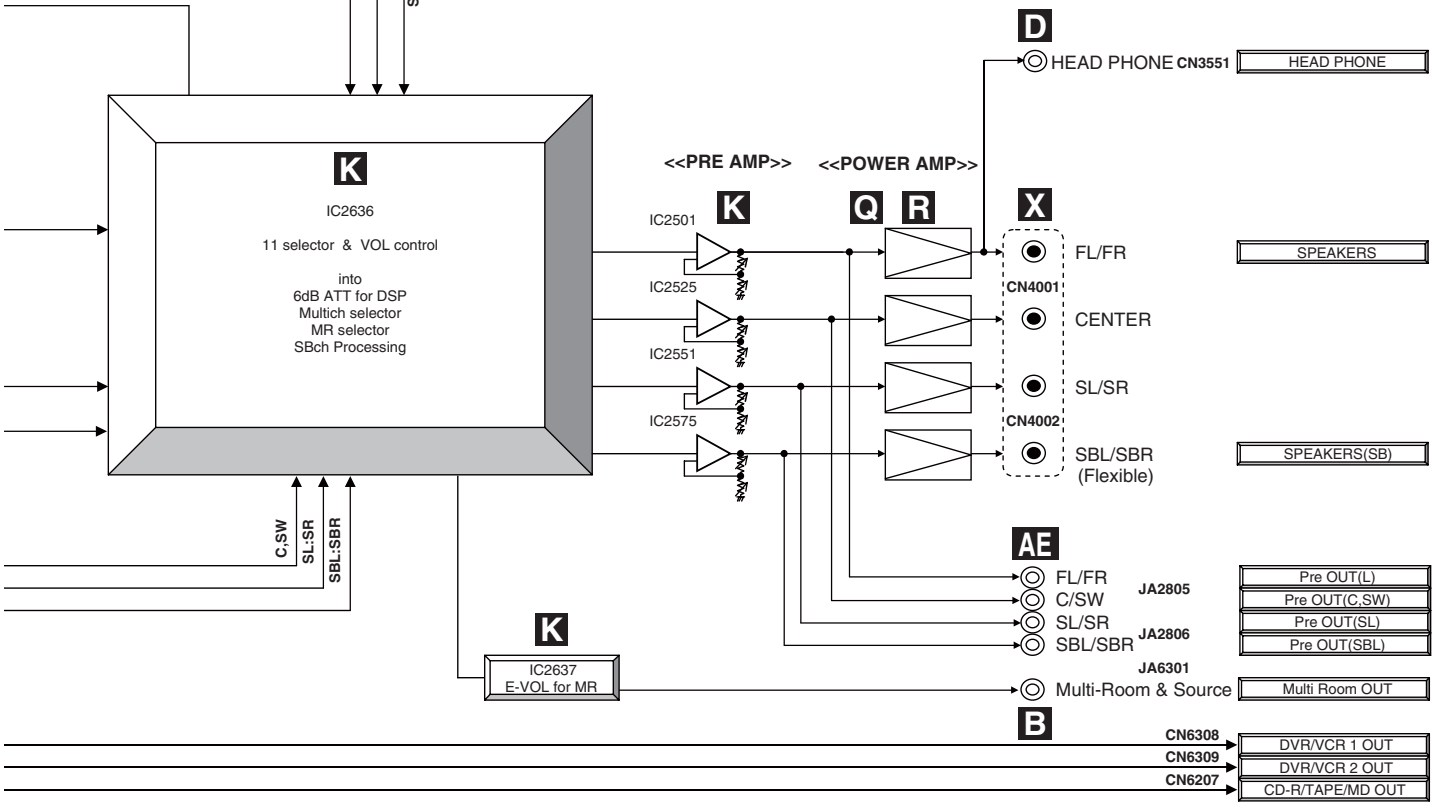
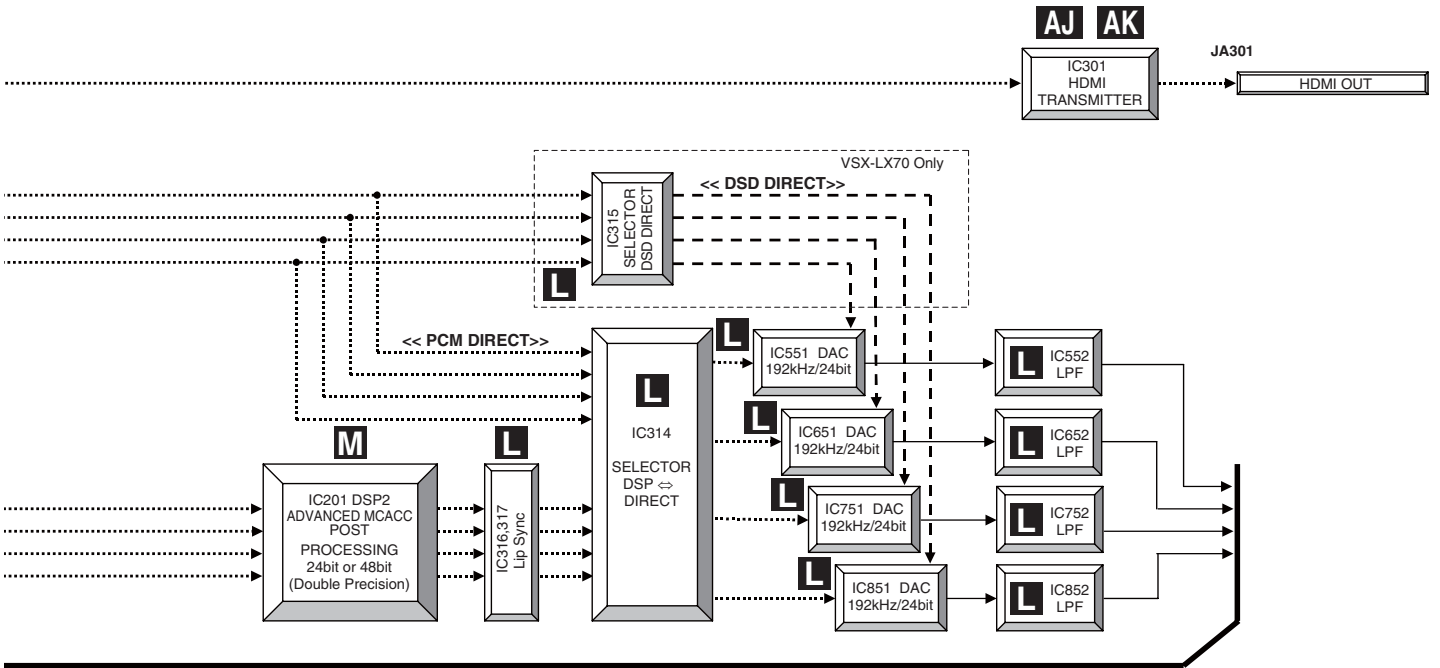




- NOTES:**
- When ordering service parts, be sure to refer to “EXPLODED VIEWS and PARTS LIST” or “PCB PARTS LIST”.
 - The Δ mark found on some component parts indicates the importance of the safety factor of the part. Therefore, when replacing, be sure to use parts of identical designation.
 - : The power supply is shown with the marked box.

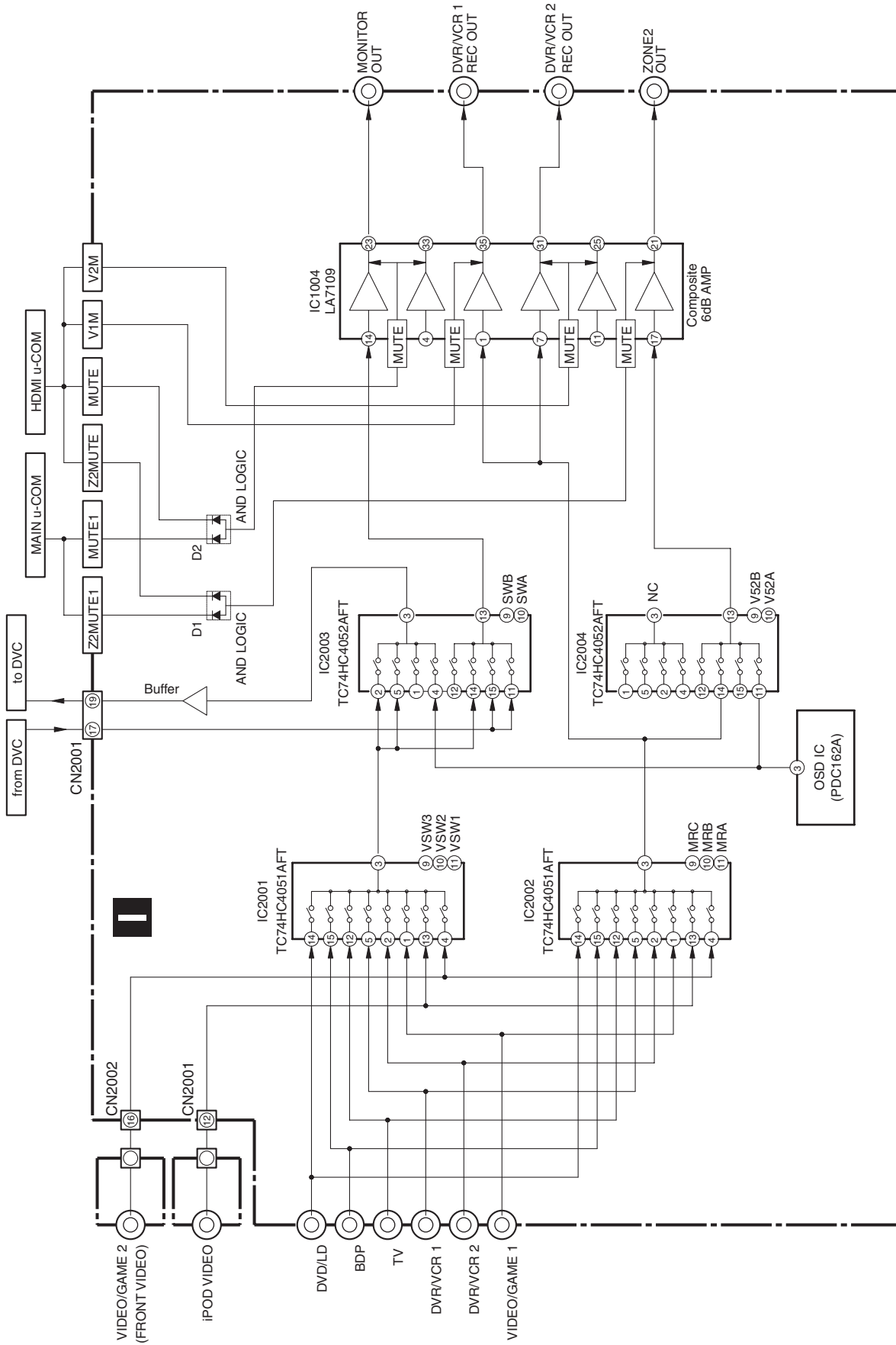
4.2 AUDIO BLOCK DIAGRAM



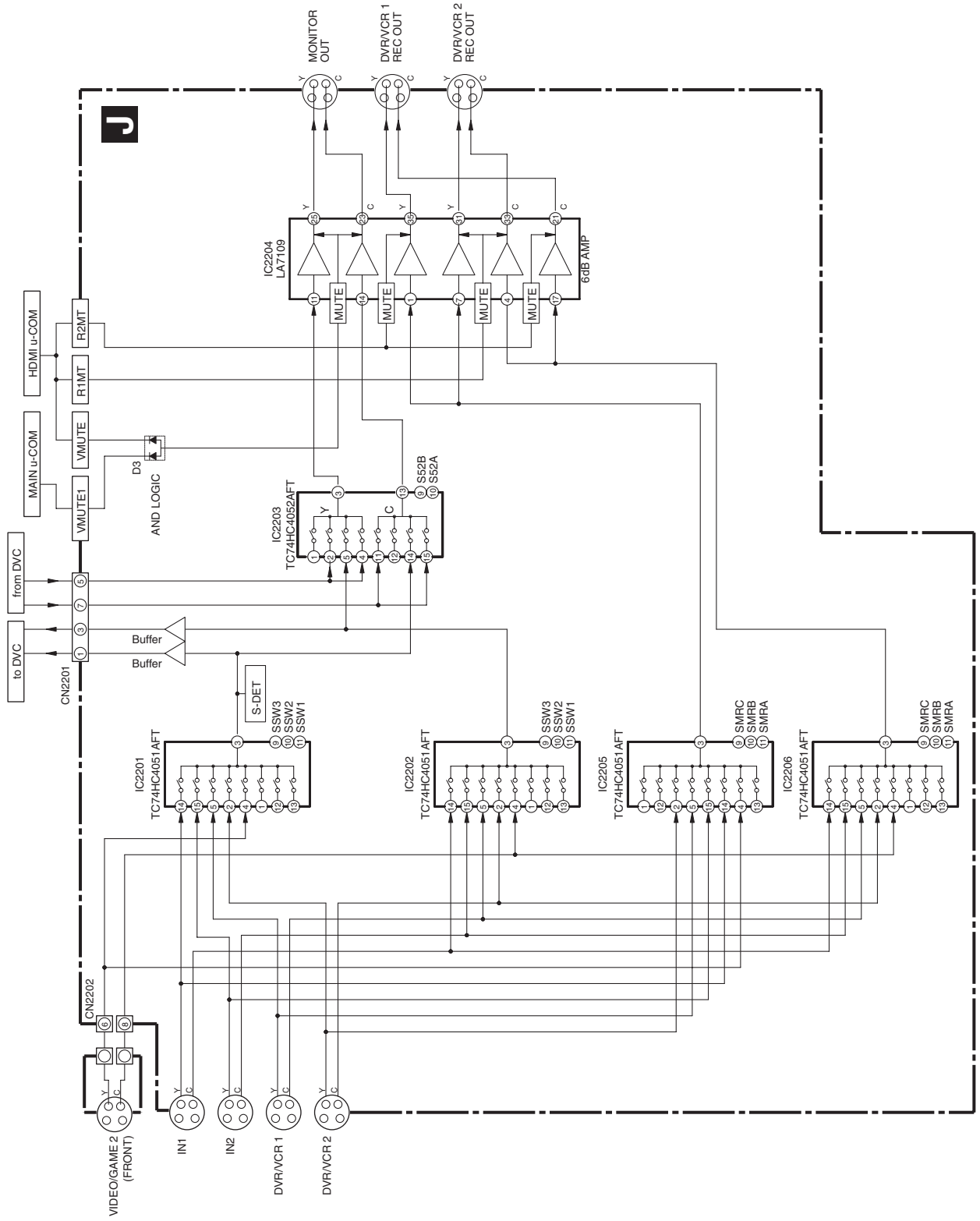


4.3 COMPOSITE V BLOCK DIAGRAM

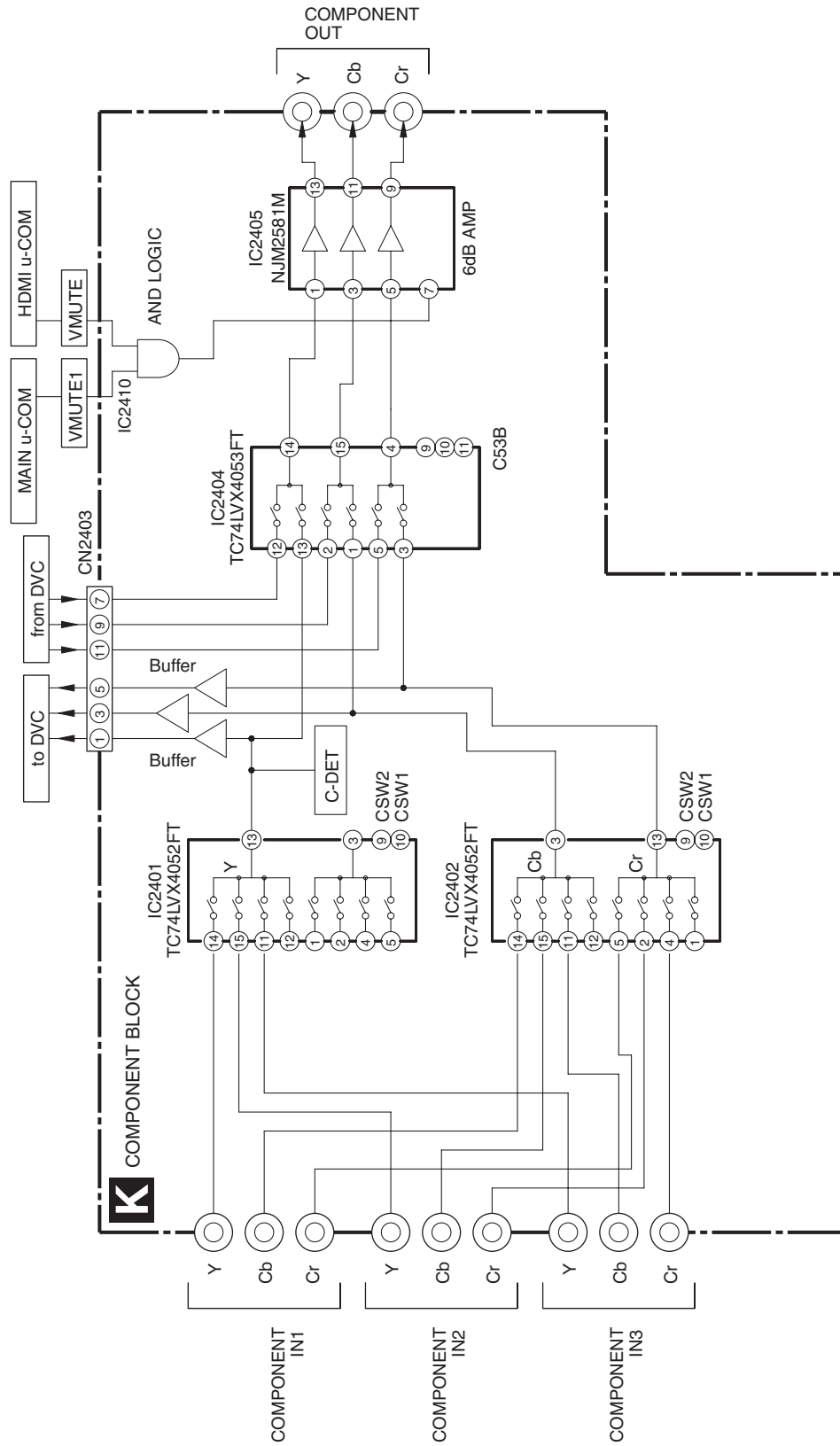
A
B
C
D
E
F



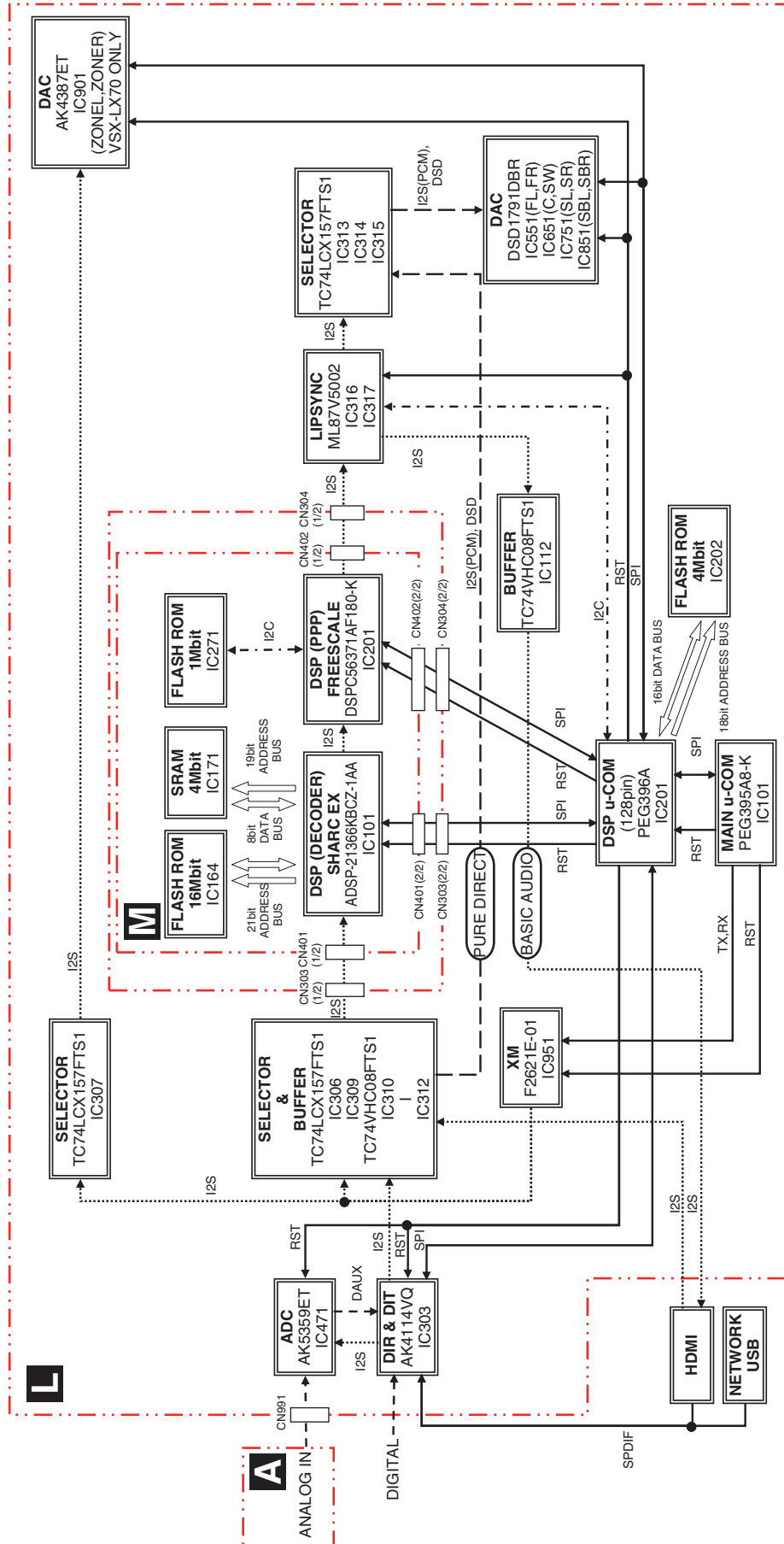
4.4 S-VIDEO BLOCK DIAGRAM



4.5 COMPONENT & VOL BLOCK DIAGRAM

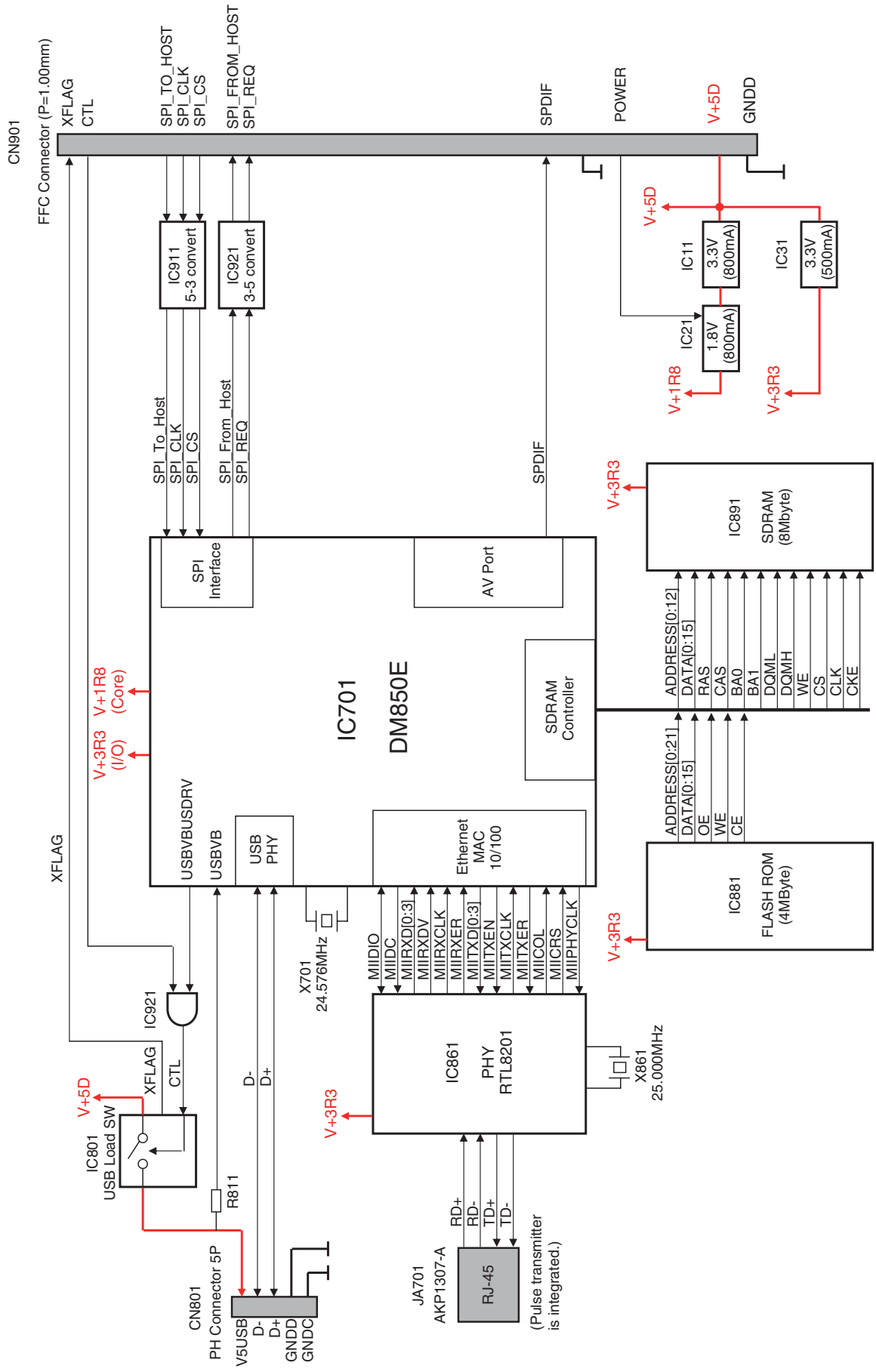


4.6 DSP BLOCK DIAGRAM

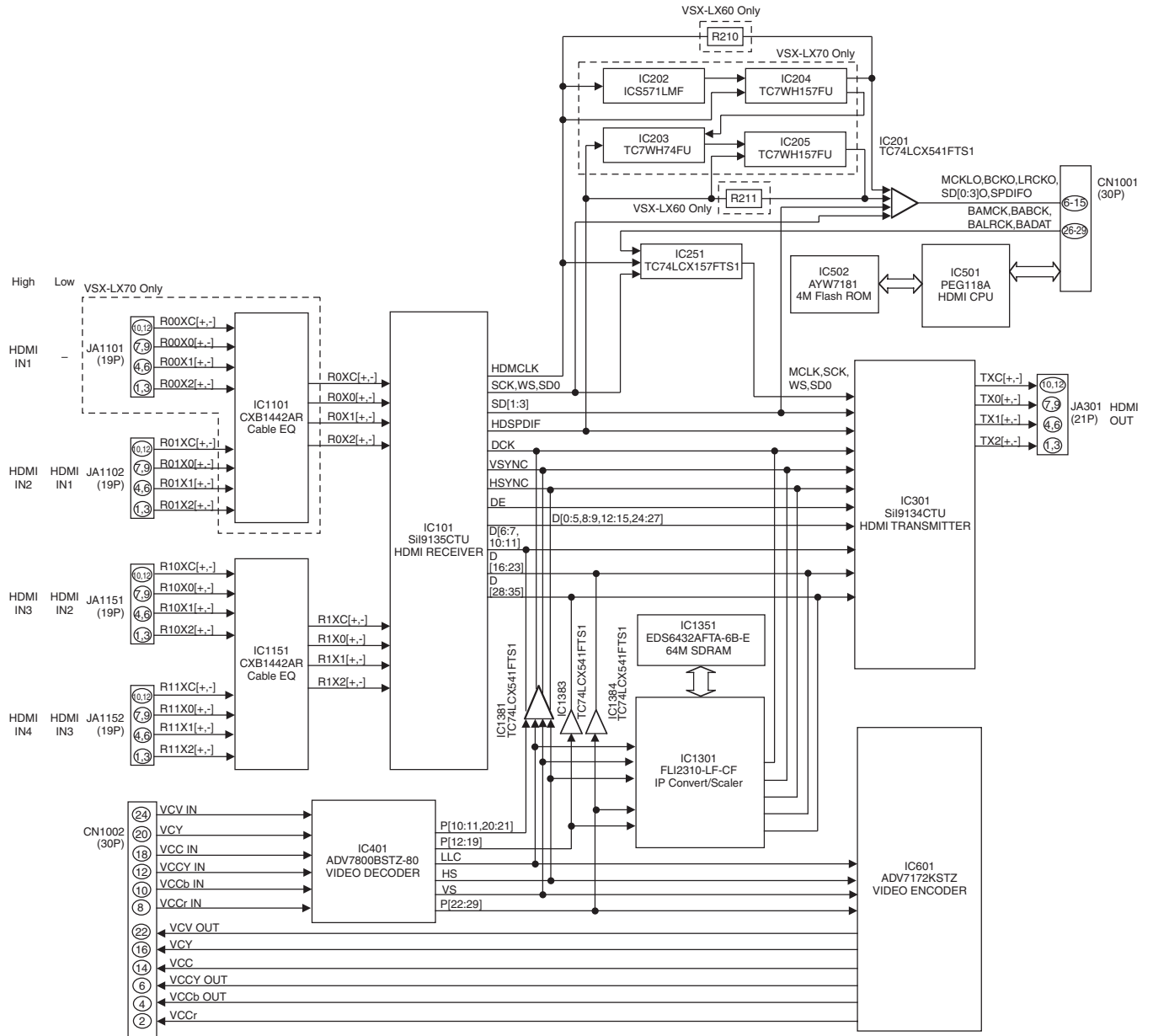


VSX-LX70

4.7 HDMI & DLNA BLOCK DIAGRAM (VSX-LX70)

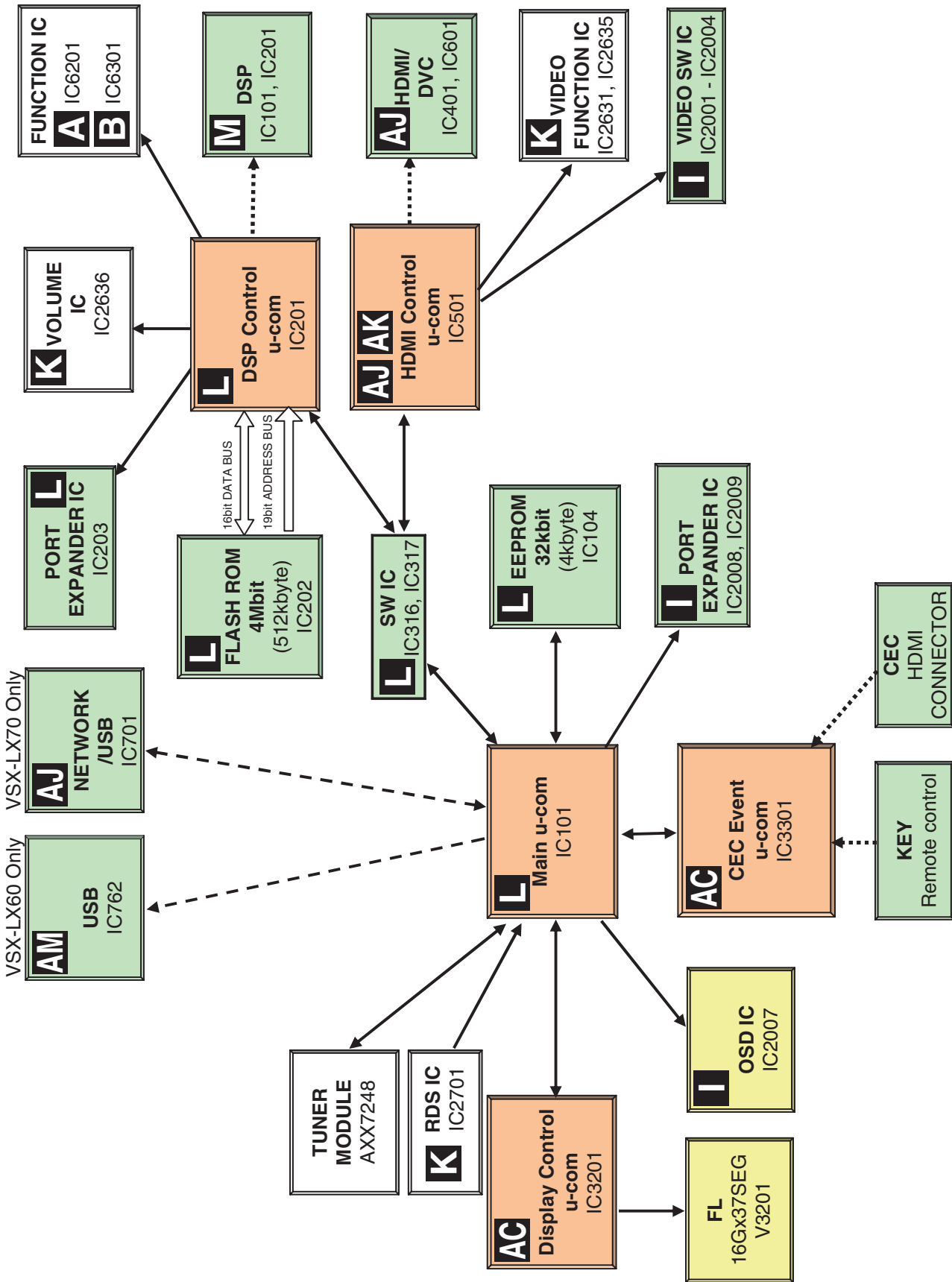


4.8 HDMI & DVC BLOCK DIAGRAM



4.9 MICROCOMPUTER BLOCK DIAGRAM

A
B
C
D
E
F



5. DIAGNOSIS

5.1 DIAGNOSIS FLOWCHART

5.1.1 DSP TROUBLESHOOTING

■ Unsophisticated Diagnosis

DSP Ass'y malfunction is detected

(The part can be roughly expected just by operation of the main unit.)

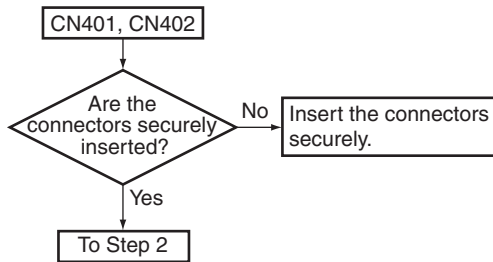
• Has DSP Ass'y caused the malfunction?

Inputting a PCM (such as CD) digital signal, check if the sound plays by switching AUTO SURR / STREAM DIRECT. When the sound doesn't play in AUTO SURROUND or DIRECT MODE though it does in PURE DIRECT (PCM DIRECT) MODE, DSP Ass'y might be defective.

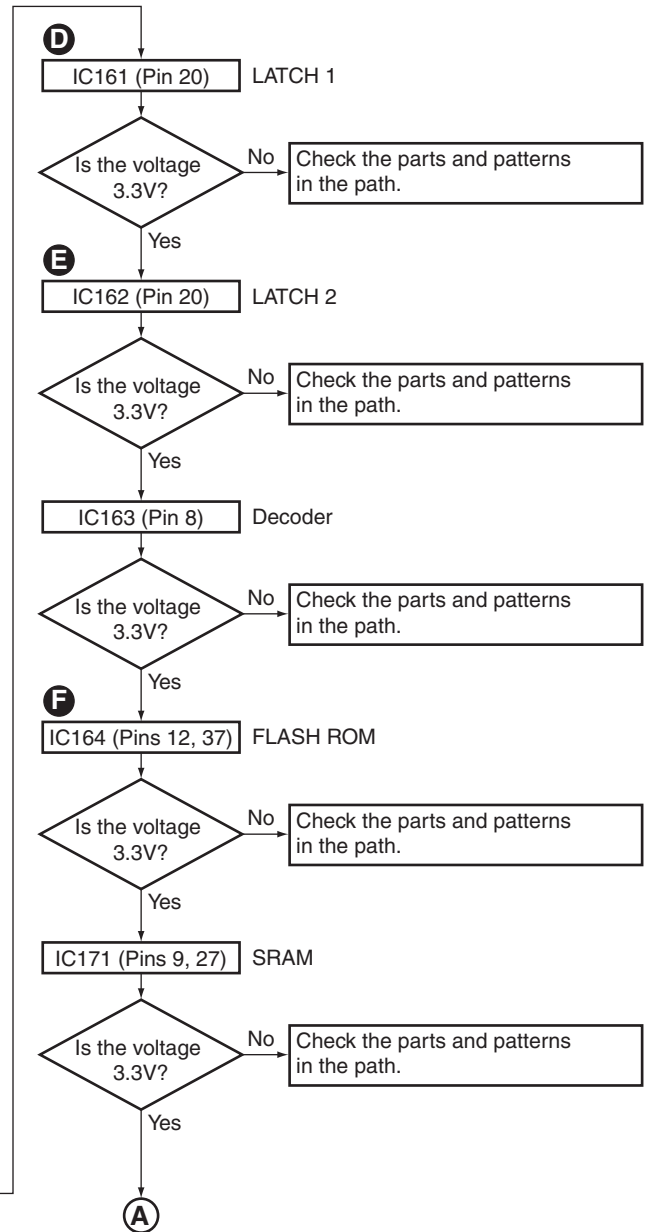
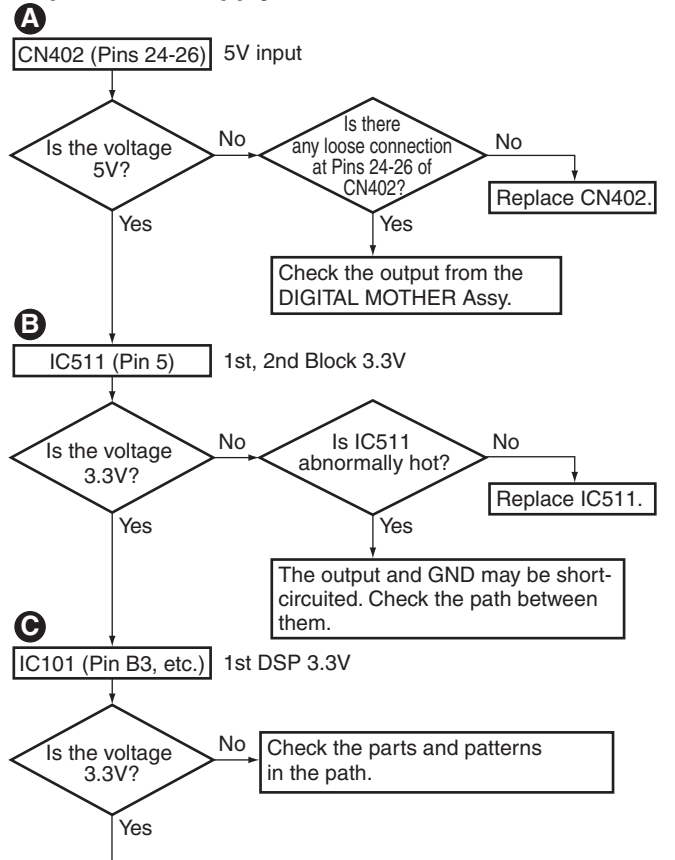
■ Troubleshooting

- It is assumed that there is no loose connection or damage in the LCRs.
- Refer to "DSP Block Diagram" and "DSP Assy check point" as the parts marked **A** to **AF** in the troubleshooting are located.

Step 1: Connections



Step 2: Power supply



A

G IC401 (Pin 14) Buffer

Is the voltage 3.3V? No: Check the parts and patterns in the path. Yes: [Yes]

H L531 (TP055) 1st Block 1.2V

Is the voltage 1.2V? No: The output and GND may be short-circuited. Check the path between them. Yes: [Yes]

I IC101 (Pin A12, etc.) 1st DSP 1.2V

Is the voltage 1.2V? No: Check the parts and patterns in the path. Yes: [Yes]

J IC201 (Pin 3, etc.) 2nd DSP 3.3V

Is the voltage 3.3V? No: Check the parts and patterns in the path. Yes: [Yes]

i IC751 (Pin 8) OSC Inverter

Is the voltage 3.3V? No: Check the parts and patterns in the path. Yes: [Yes]

K IC521 (Pin 5) 2nd Block 1.25V

Is the voltage 1.25V? No: Is IC521 abnormally hot? No: Replace IC521. Yes: [Yes]

The output and GND may be short-circuited. Check the path between them.

L IC201 (Pin 8, etc.) 2nd DSP 1.25V

Is the voltage 1.25V? No: Check the parts and patterns in the path. Yes: [Yes]

To Step 3

Step 3: Operation of the Master Clock

M CN401 (Pin 23) CLK_ON

Is the logic gate "L"? No: Check the output from the DIGITAL MOTHER Assy. Yes: [Yes]

Does the crystal oscillate at 20 MHz? No: Replace IC752, Q751. Yes: [Yes]

O R148 MCLK1

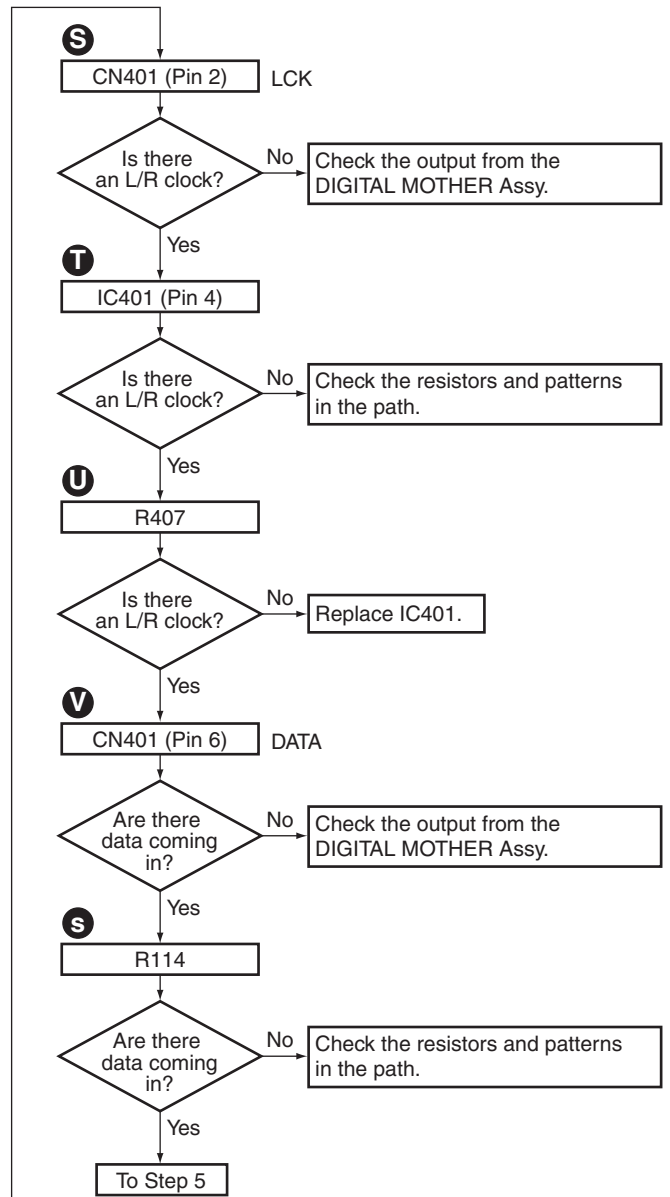
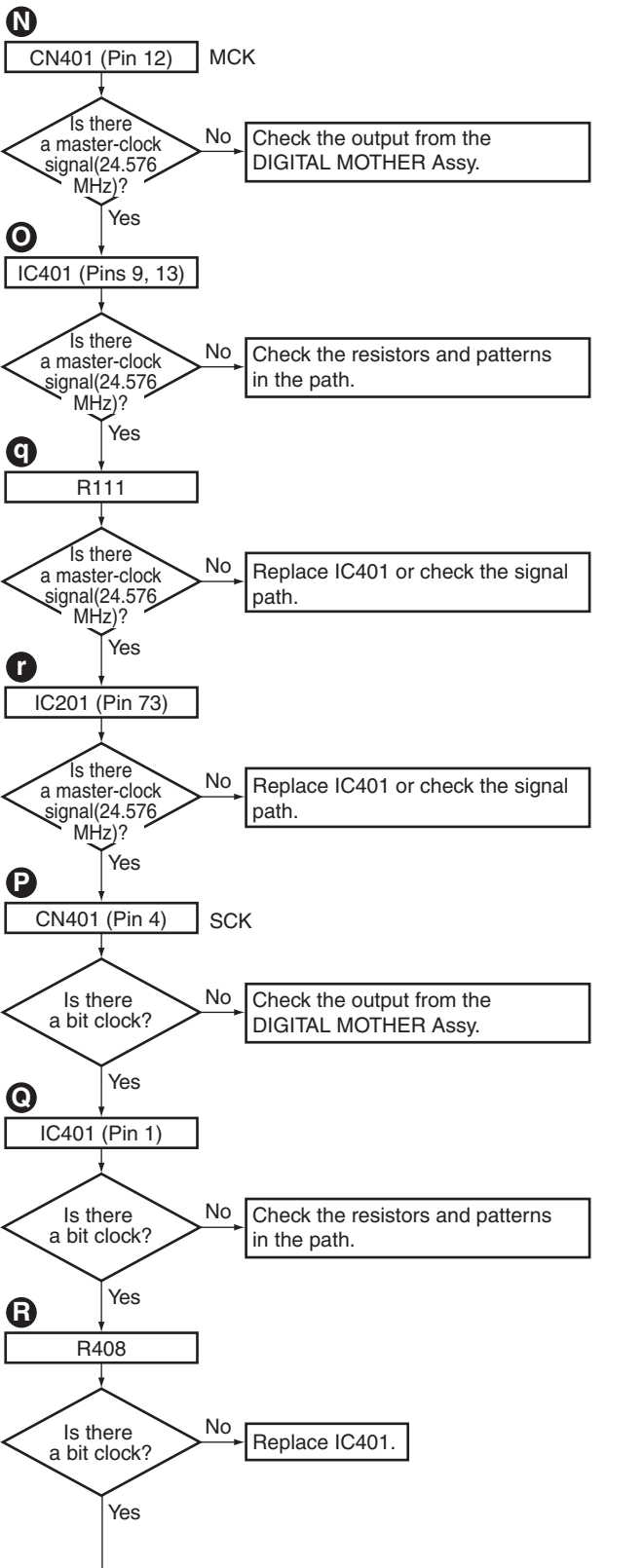
Is there an operation-master clock signal (20 MHz)? No: Check the path, or replace IC751. Yes: [Yes]

P IC201 (Pin 45) MCLK2

Is there an operation-master clock signal (20 MHz)? No: Check the path, or replace IC751. Yes: [Yes]

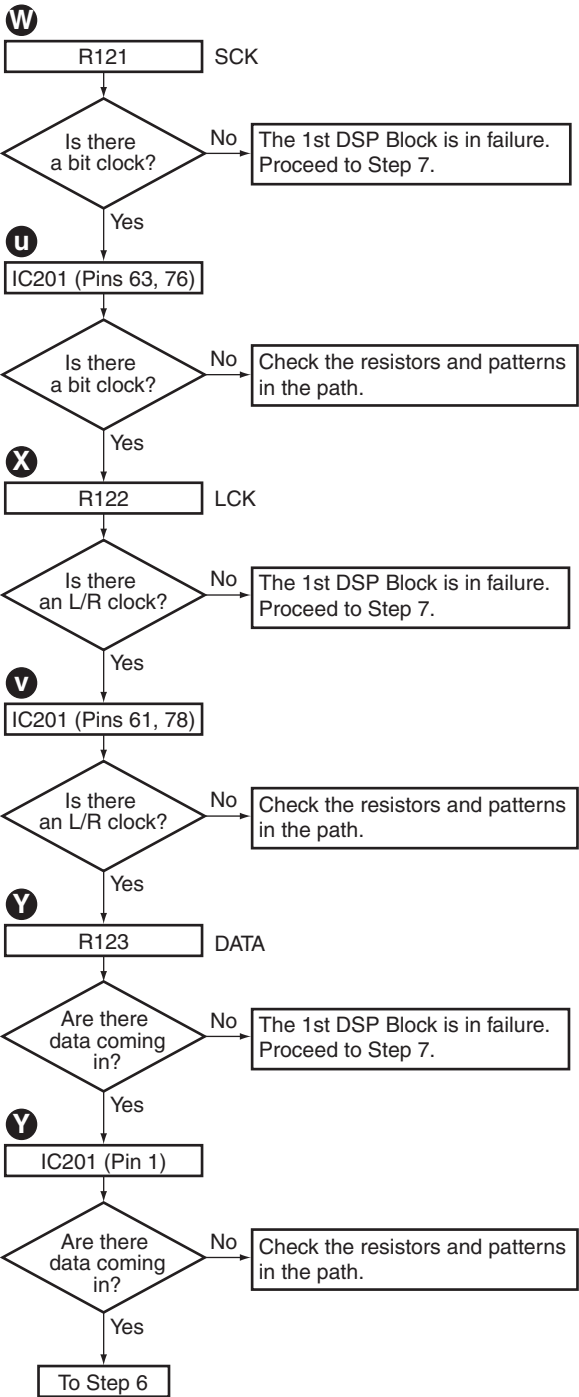
To Step 4

Step 4: Audio Clock

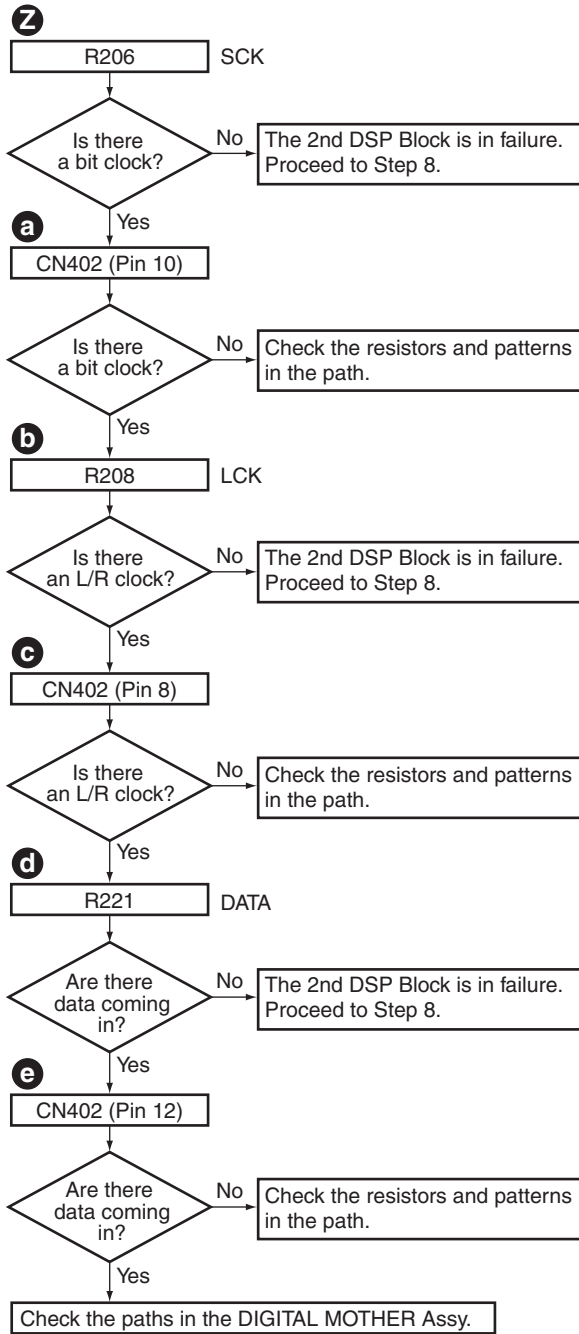


A
B
C
D
E
F

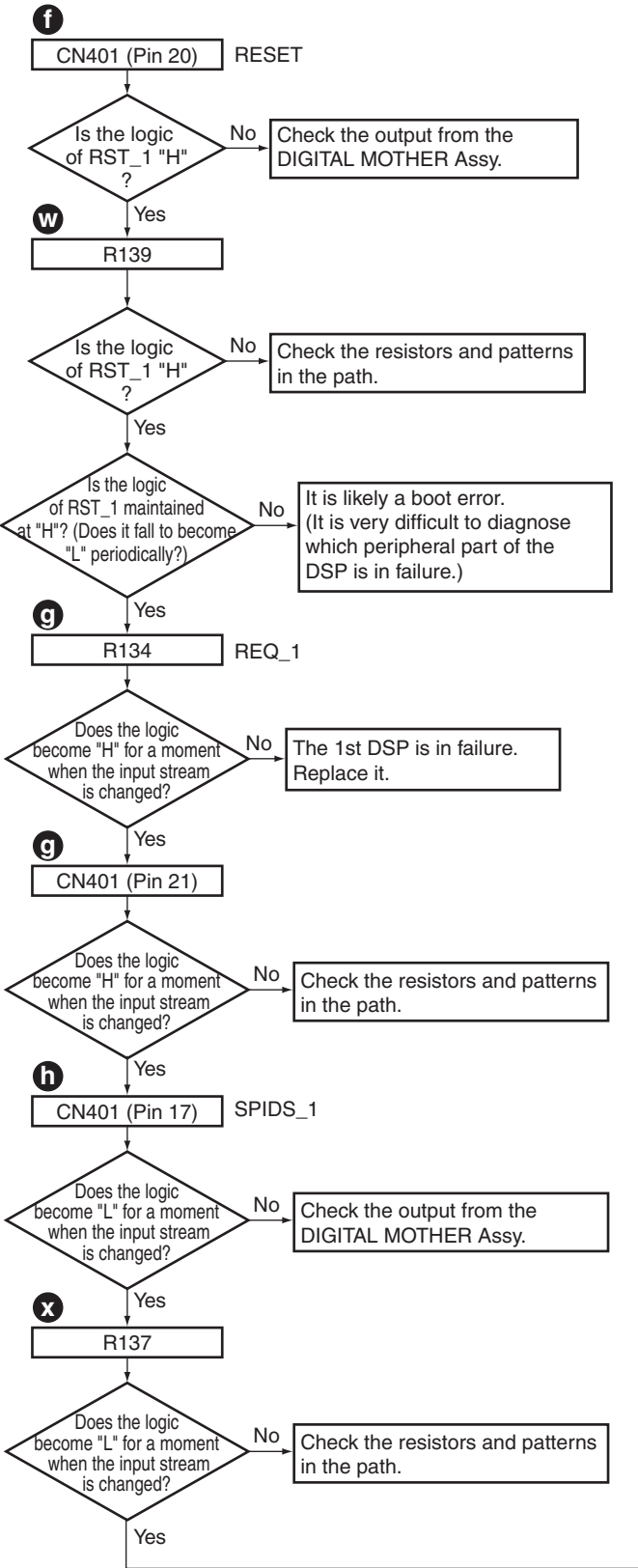
Step 5



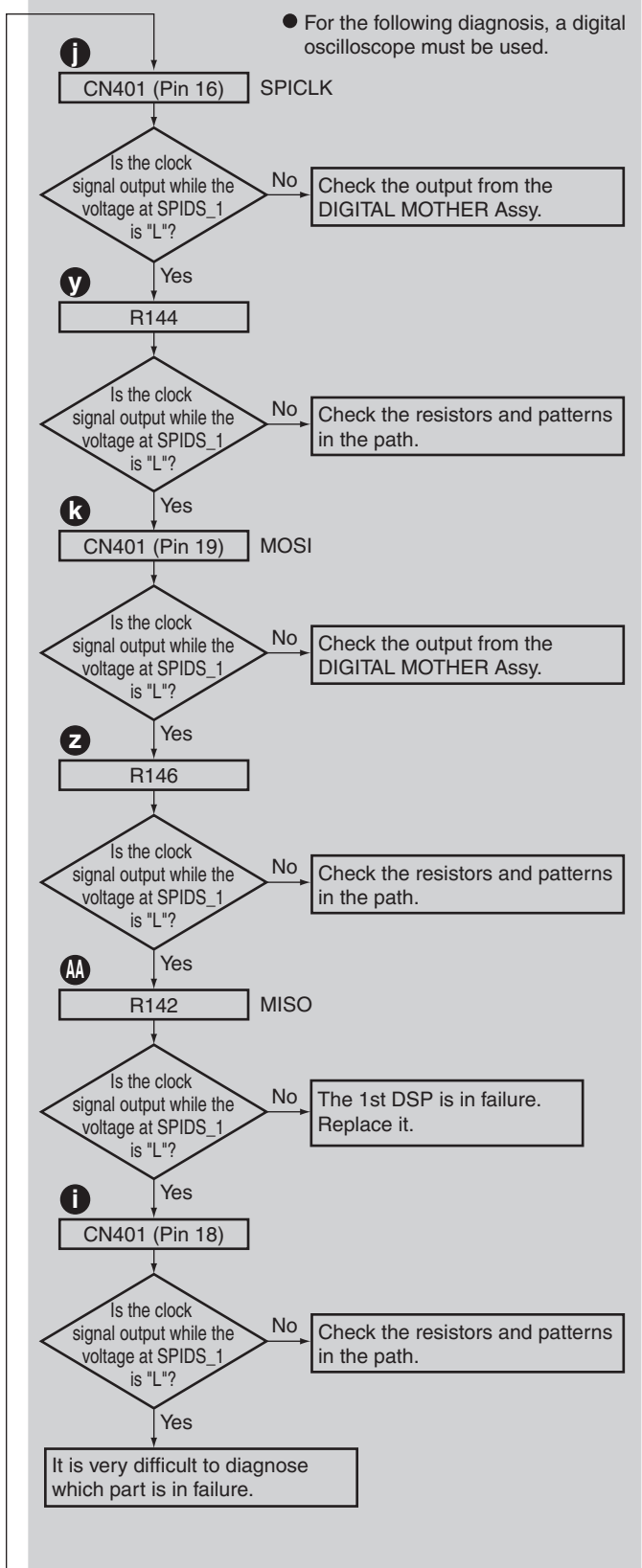
Step 6



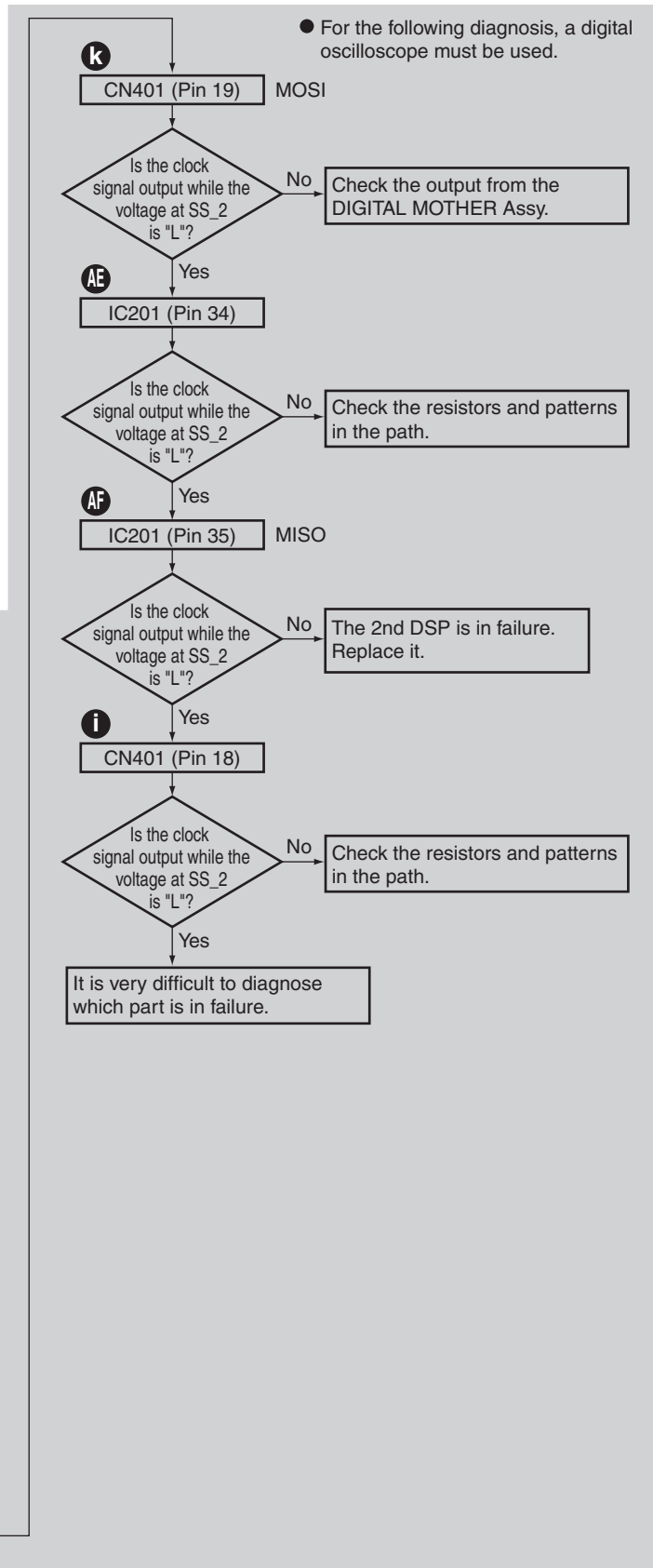
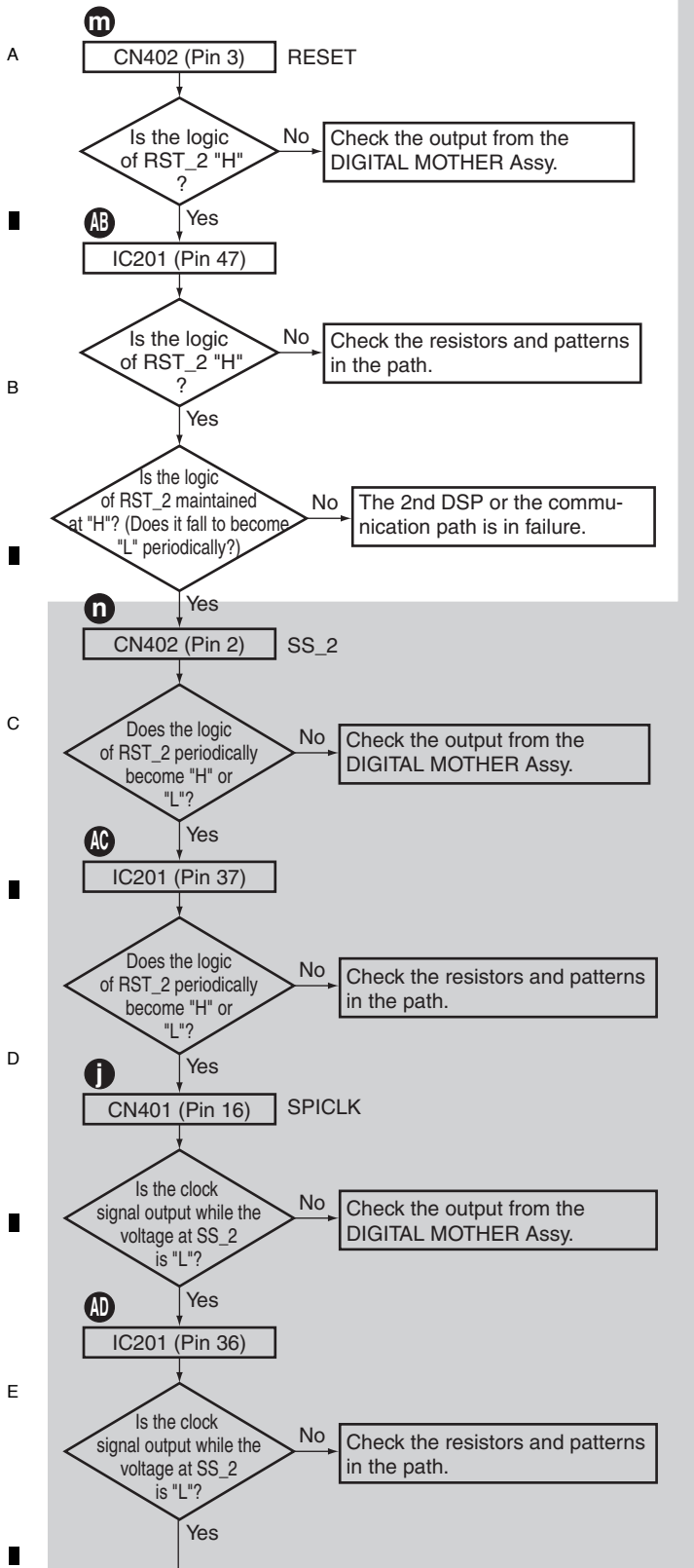
Step 7: 1st DSP



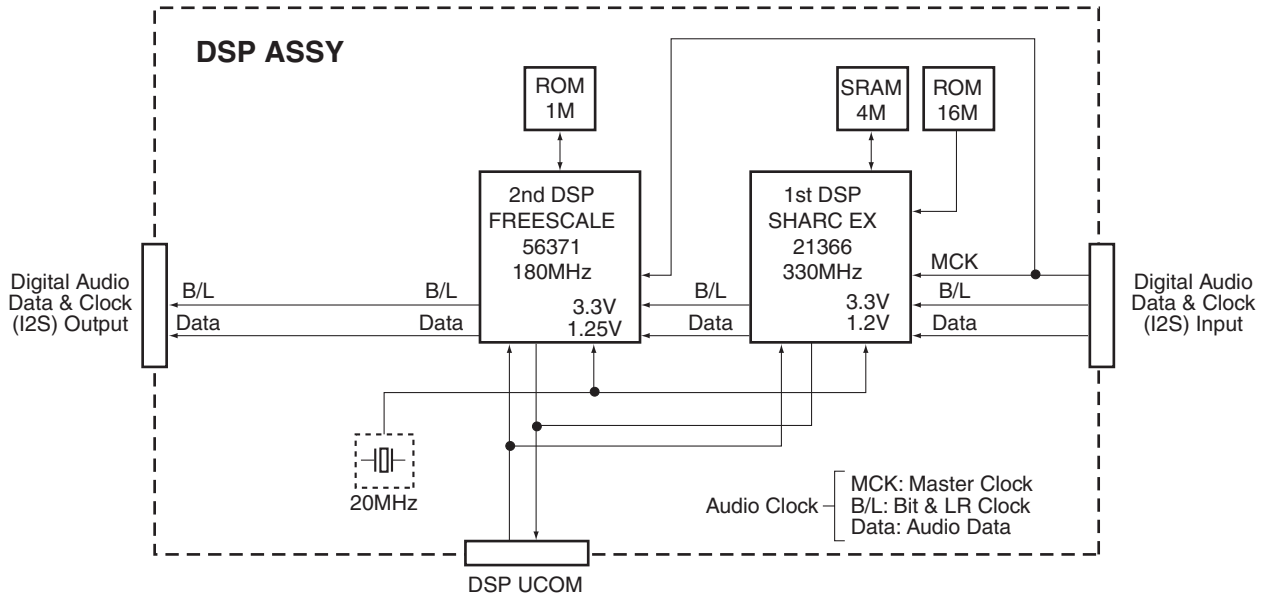
● For the following diagnosis, a digital oscilloscope must be used.



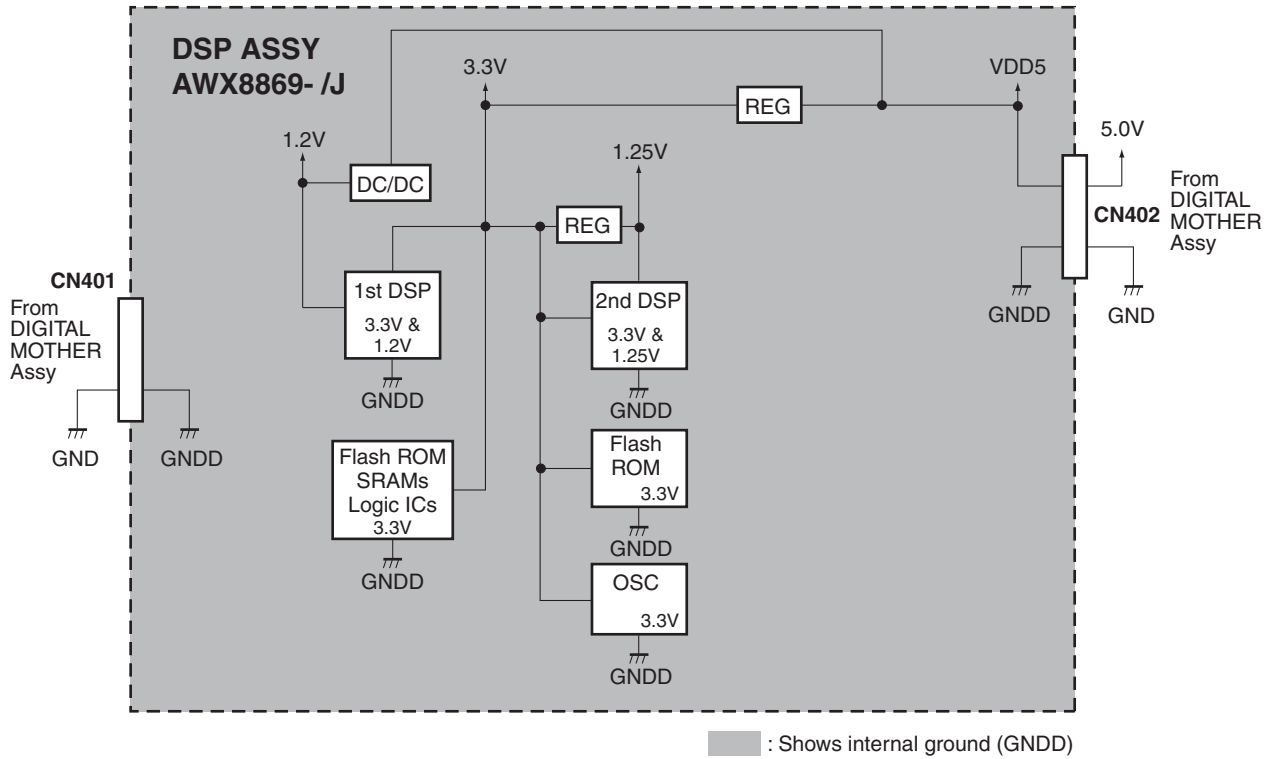
Step 8: 2nd DSP



■ DSP Block Diagram
 • CORE Block

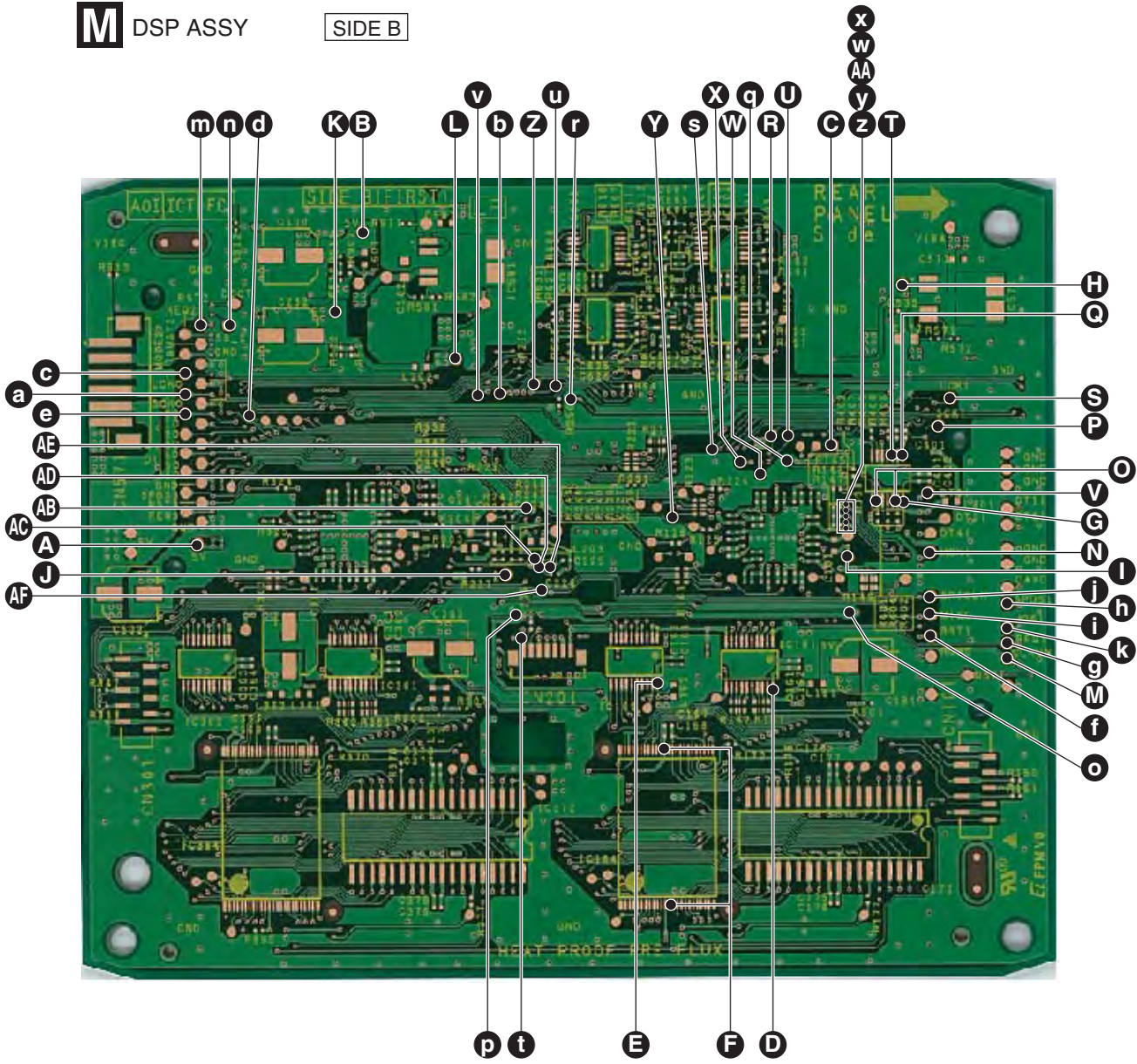


• Power Block and GND Map



DSP Assy Check Points

M DSP ASSY SIDE B



HDMI Simple Diagnosis

Please refer to the one point trouble shooting first before checking the flow chart on the next page.

HDMI

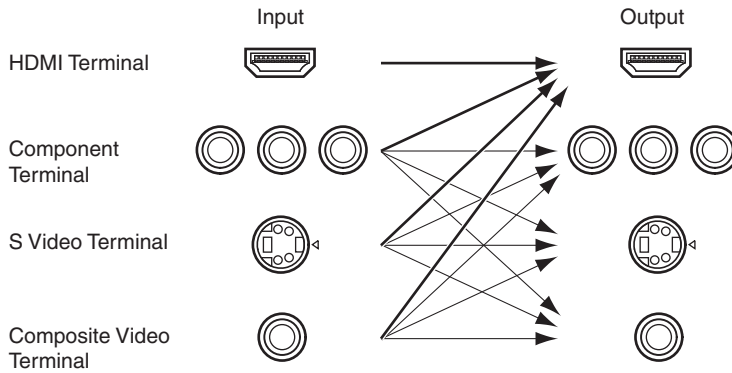
Symptom	Remedy
The HDMI indicator blinks continuously.	Check all the points below.
No picture or sound.	<ul style="list-style-type: none"> This receiver is HDCP-compatible. Check that the components you are connecting are also HDCP-compatible. If they are not, please connect them using the component, S-video or composite video jacks. Depending on the connected source component, it's possible that it will not work with this receiver (even if it is HDCP-compatible). If the problem still persists when connecting your HDMI component directly to your monitor, please consult the component or monitor manual or contact the manufacturer for support.
No picture.	<ul style="list-style-type: none"> Depending in the output settings of the source component, it may be outputting a video format that can't be displayed. Change the output settings of the source, or connect using the component, S-video or composite jacks.
No sound, or sound suddenly ceases.	<ul style="list-style-type: none"> Check that the HDMI setting is set to AMP/THROUGH. If the component is a DVI device, use a separate connection for the audio. Check the audio output settings of the source component.

Note:

- An HDMI connection can only be made with DVI-equipped components compatible with both DVI and High Bandwidth Digital Content Protection (HDCP). If you choose to connect to a DVI connector, you will need a separate adaptor (DVI → HDMI) to do so. A DVI connection, however, does not support audio signals. Consult your local audio dealer for more information.
- This unit has been designed to be compliant with HDMI (High Definition Multimedia Interface) Version 1.3a. Depending on the component you have connected, using a DVI connection may result in unreliable signal transfers. Also, when using a component with HDMI version 1.39, it is not possible to output copy-controlled DVD-Audio CPPM sources from the HDMI connection.

Digital Video Converting System

The following chart is for video converting. As you can see HDMI input signal is output to HDMI output terminal only. Other analog inputs can be converted to HDMI output signal.

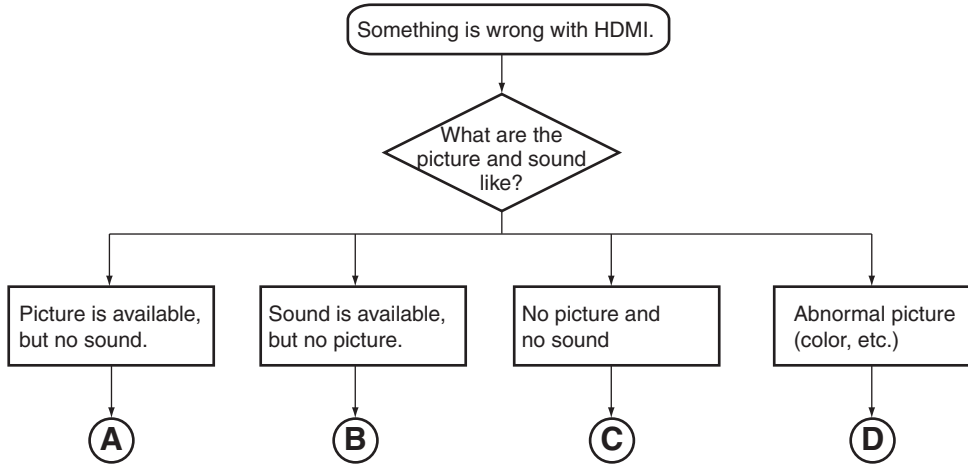
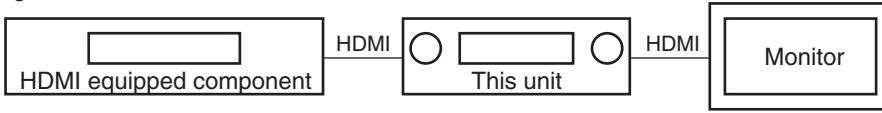


HDMI Audio routing line

Input		Output	HDMI Setting
HDMI	→	HDMI	THROUGH
		Pre out	AMP
		SP Out	
other	→	HDMI	THROUGH
		Pre out	AMP
		SP Out	

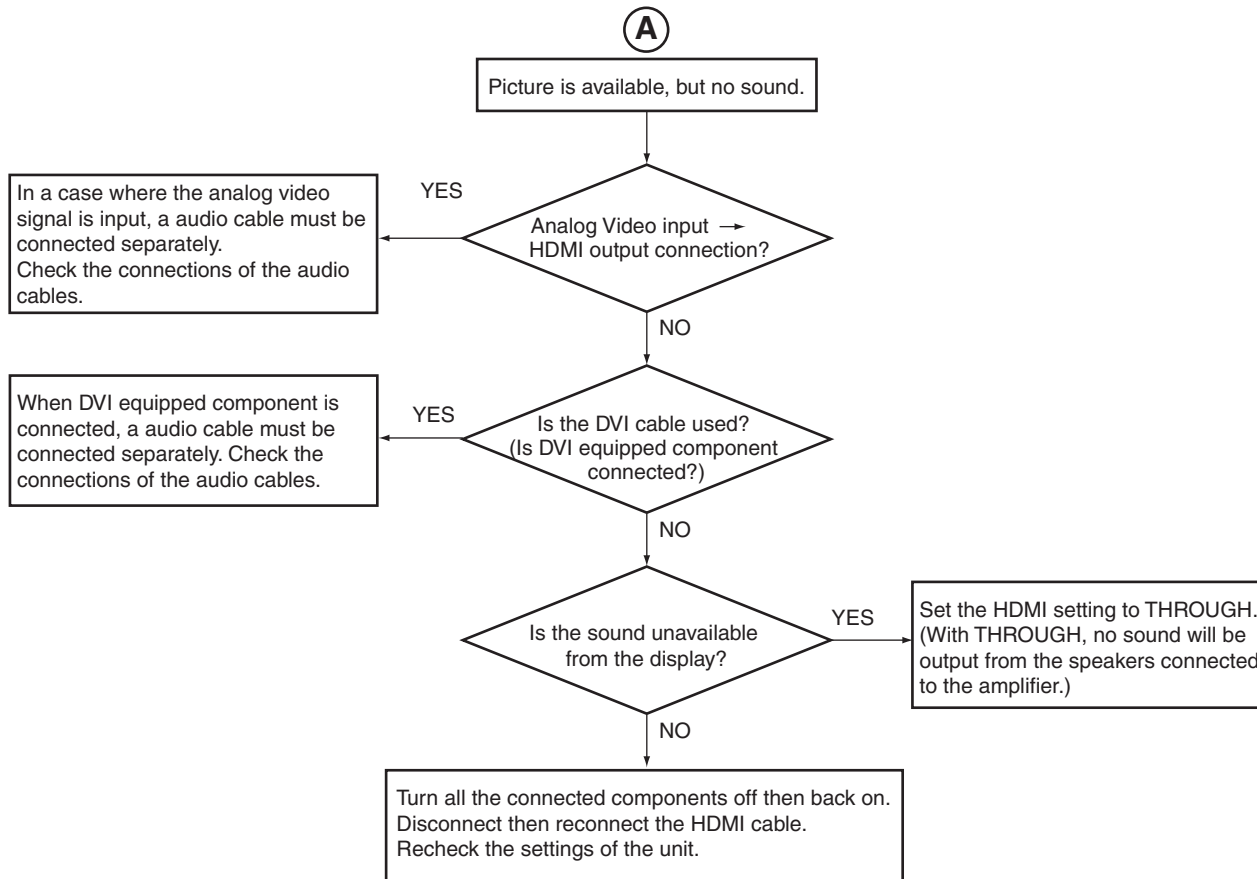
■ Status confirmation

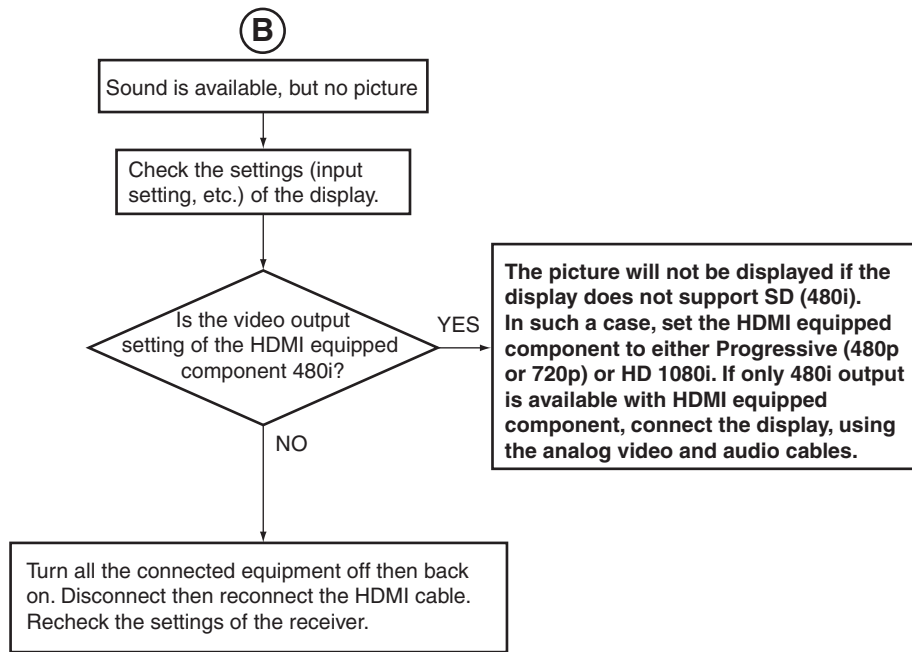
The following charts are based on the HDMI connection below.



- In either case, check the connection cables, input selection, and initial settings of the unit first.
- "Analog video" hereinafter means composite, S, or component video.
- "Audio cable" hereinafter means either analog or digital audio connection cables.
- "display" hereinafter means HDMI-compatible monitor or plasma display.

■ In a case where picture is available, but no sound



■ In a case where the sound is available, but no picture

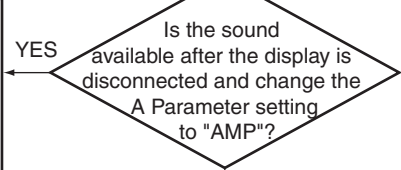
■ In a case of no picture and no sound

A

Ⓢ

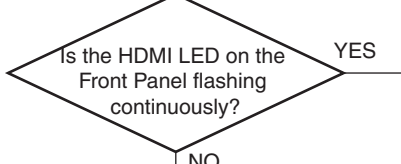
No picture and no sound

It is likely that the HDMI equipped component does not support the repeater function. (*1)
Ask the manufacturer of the HDMI equipped component.
Or make connections of the analog video and audio cables.
Ex. Digital Set-top-box DirectTV STB H10



B

*1. "Not support the repeater function" means some HDMI equipped components are not compatible with HDMI connection via AV Receiver with HDMI.



The HDMI equipped component and the display may not be compatible. Make connections of the analog video and audio cables.

If the display does not support HDCP, HDMI connections cannot be made. Make connections of the analog video and audio cables.
 Check the settings of the source equipment and the display.
 Check the settings of the receiver.
 Make connections with the analog video and audio cables.

C

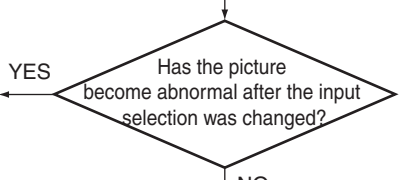
■ In a case of abnormal picture

D

Ⓢ

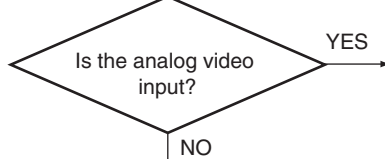
Abnormal picture (color, etc.), distorted picture

The signal from the HDMI equipped component may be unstable. Turn the HDMI equipped component off then back on.
If the picture is distorted after switching the input selection, setting YCbCr/RGB of the HDMI equipped component to RGB may stabilize the picture.



Depending on the conditions of the analog video signal, the HDMI video output may be distorted. If it is extremely distorted, connect the analog video output to the display.

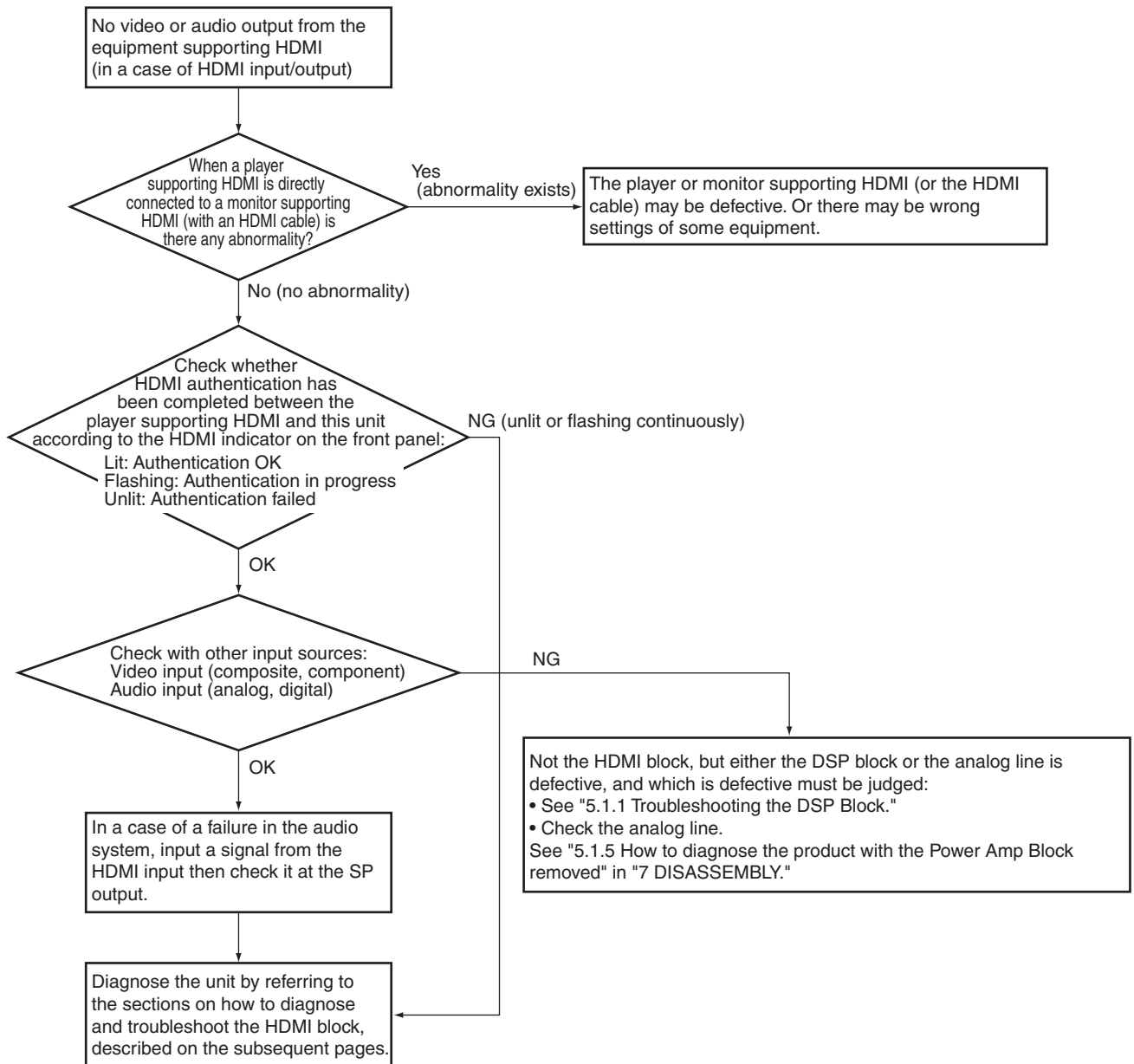
E



Check the settings of the HDMI equipped component and the display. Disconnect then reconnect the HDMI cable. Recheck the settings of the unit.

F

Flowchart of troubleshooting the HDMI block



■ Preparations for diagnosis

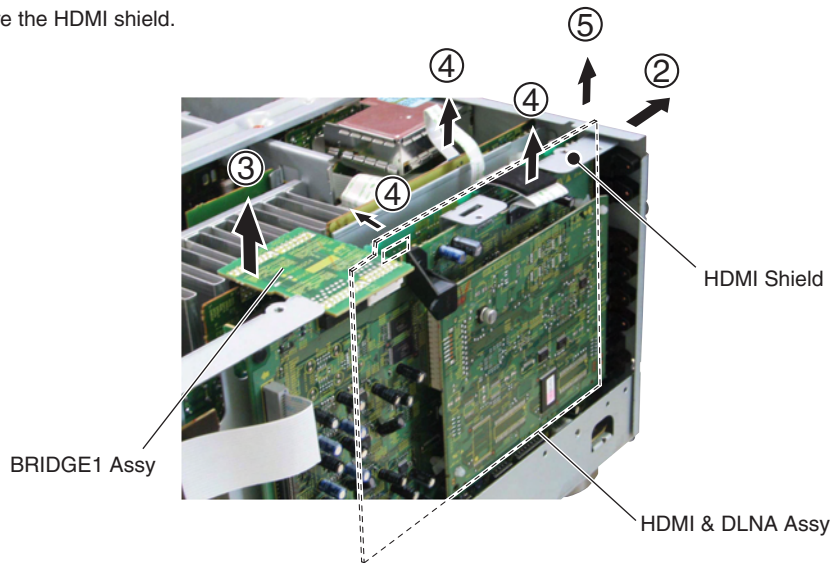
Note : Even if the unit shown in the photos and illustrations in this manual may differ from your product, the procedures described here are common.

Jig cable

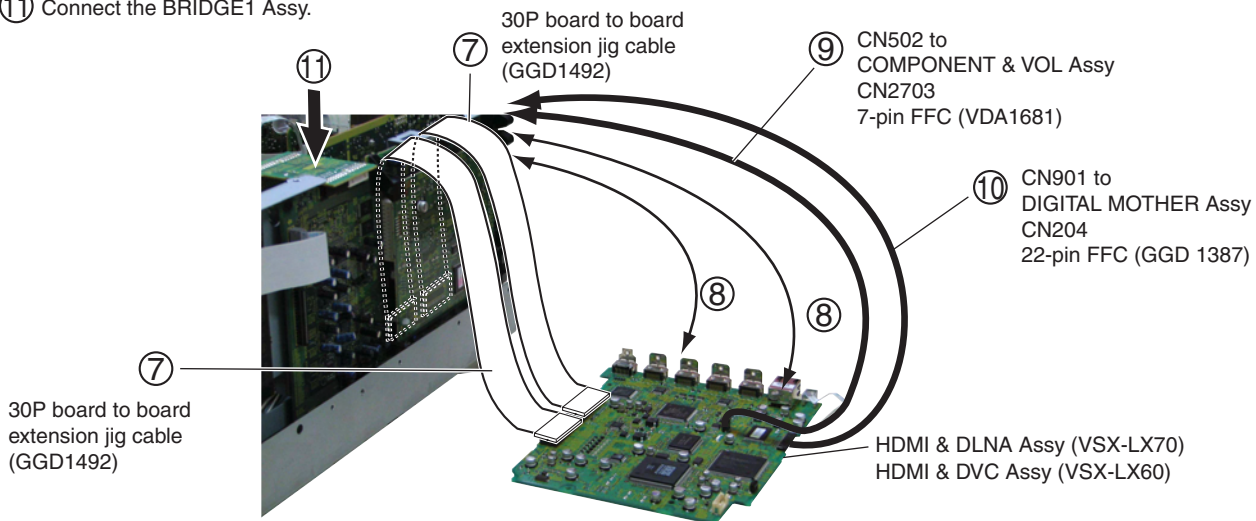
- 30P board to board extension jig cable (GGD1492) x2
- 7-pin FFC (VDA1681)
- 22-pin FFC (GGD1387)

[Procedures]

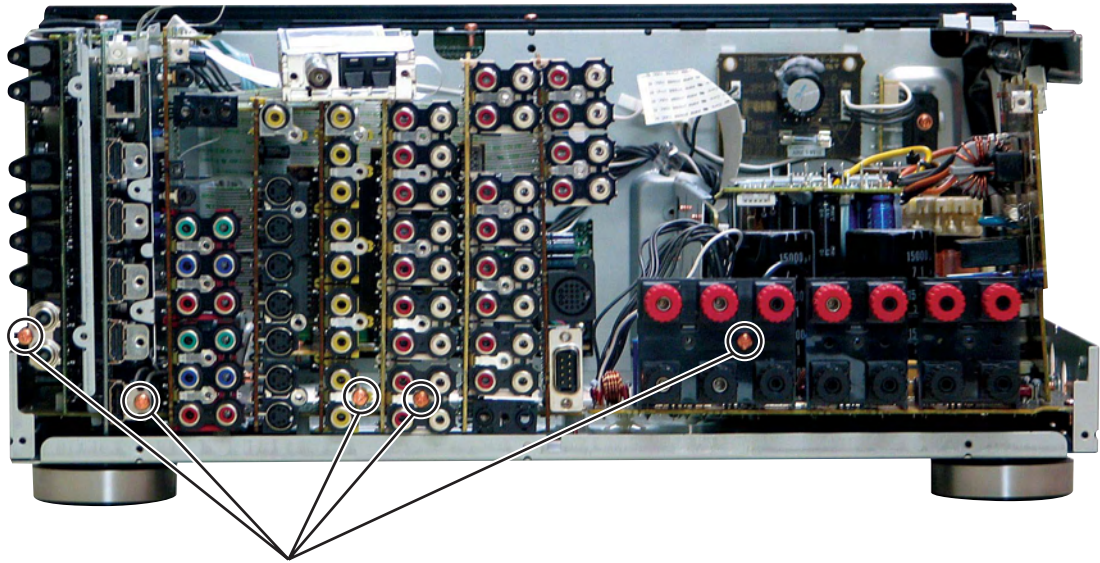
- ① Remove the bonnet.
- ② Remove the rear panel (Refer to P.84)
- ③ Remove the BRIDGE1 Assy.
- ④ Disconnect the two flexible cables and connector.
- ⑤ Remove the HDMI & DLNA Assy.
- ⑥ Remove the HDMI shield.



- ⑦ Connect the two extension jig cables.
- ⑧ Connect a cable between the HDMI connector and the chassis.
- ⑨ Connect a cable between CN502 and COMPONENT & VOL Assy (CN2703).
- ⑩ Connect a cable between CN901 and DIGITAL MOTHER Assy (CN204).
- ⑪ Connect the BRIDGE1 Assy.



Note : As mentioned below, detach the rear panel, re-fasten the screws at the corresponding points, and connect the chassis to the ground.



Points to be connected to the chassis

A
B
C
D
E
F

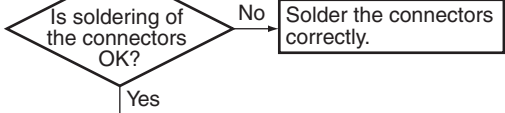
HDMI Troubleshooting

The parts marked like **V+5** in the following chart are located in "HDMI & DLNA Assy Check Points".

Common section

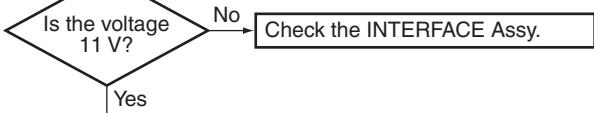
Step 1: Connections

CN1001, CN1002 **A1**
A2

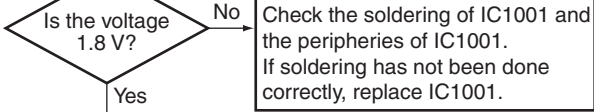


Step 2-1: Power supply, CLK

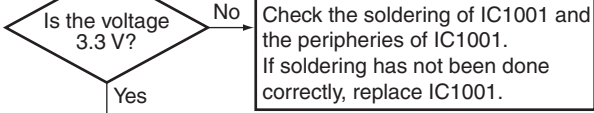
CN1001(Pin 4) UNReg INPUT **V+5IN**



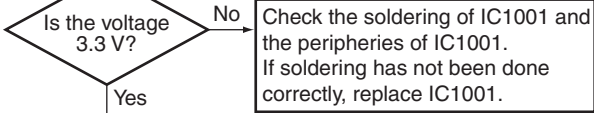
R1031 1.8 V **V+1R8H**



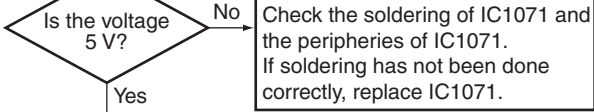
R1008 3.3 V **V+3R3_1**



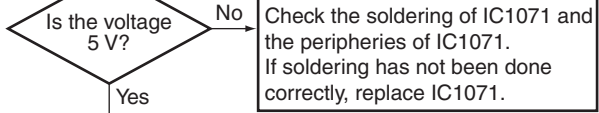
R1009 3.3 V **V+3R3_2**



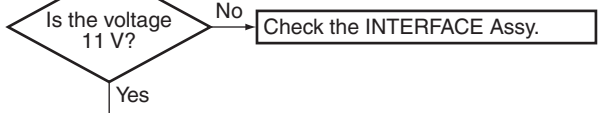
R1073 5 V **V+5DH**



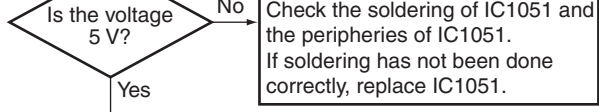
R1072 5 V **V+5AH**



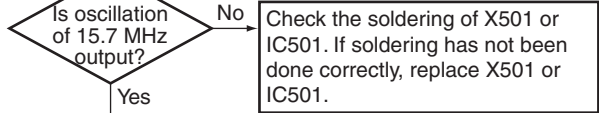
CN1001(Pin 1) UNReg INPUT **V+12UN**



IC1051(Pin 3) 5 V **V+5HD**

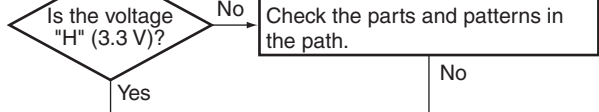


X501 X'TAL (microcomputer) **B1**



Step 2-2: Reset

CN1001(Pin 23) HDRST **B2**



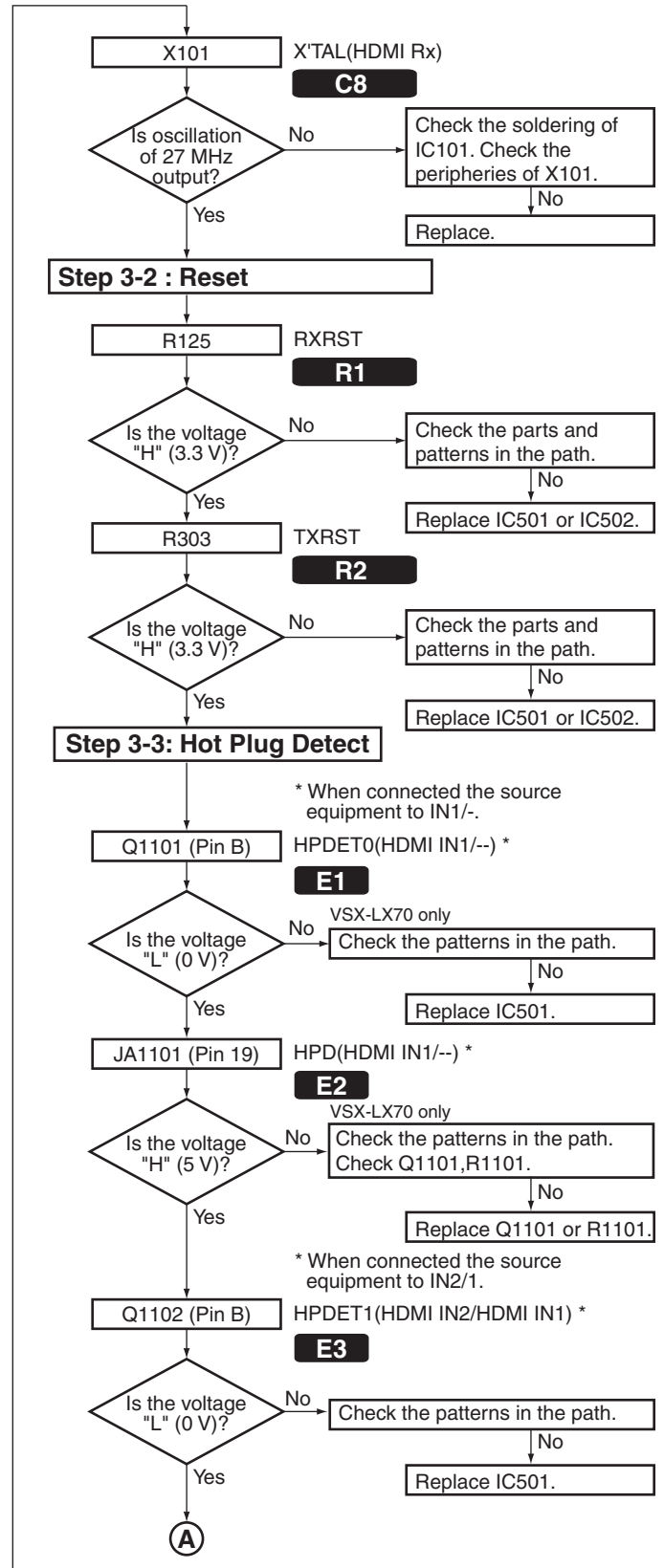
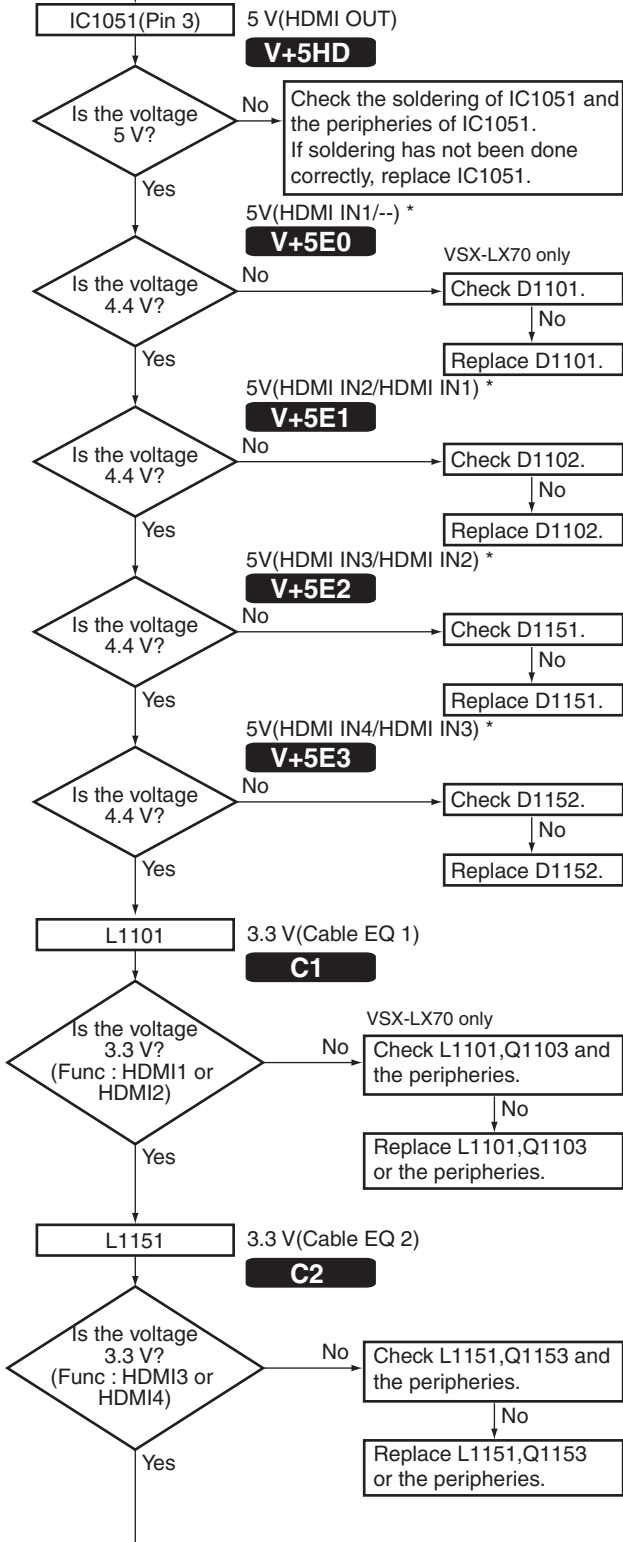
Check the INTERFACE Assy or DIGITAL MOTHER Assy.

HDMI (HDMI input) diagnosis : To Step 3-1 → Scaler diagnosis : To Step 5-1

Video converter (Analog input) diagnosis : To Step 4-1 → Scaler diagnosis : To Step 5-1

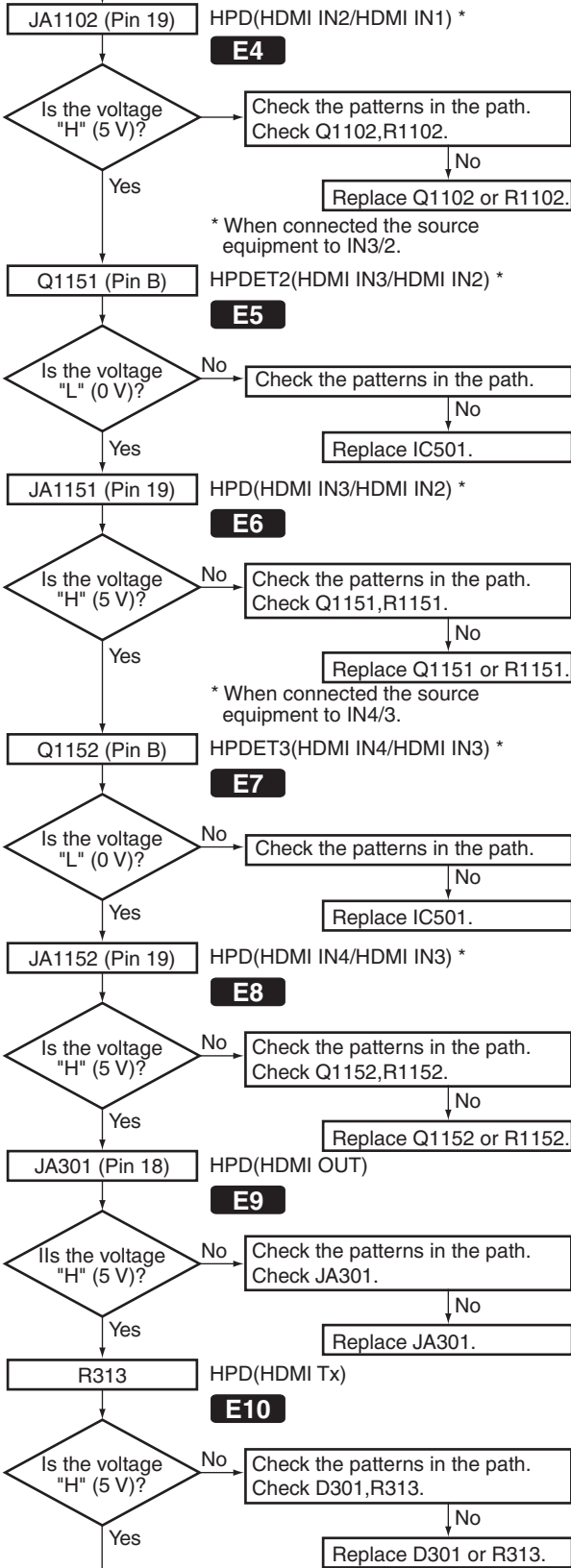
HDMI section

Step 3-1: Power supply, CLK *(LX70/LX60)

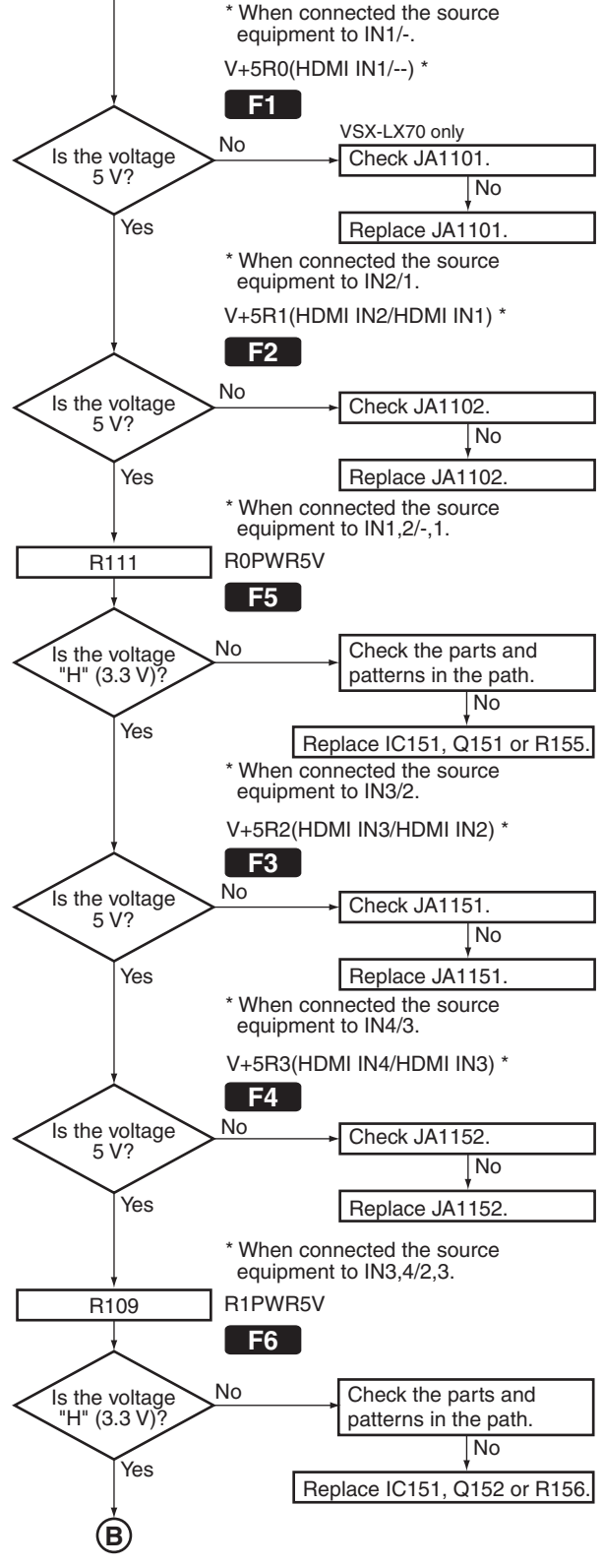


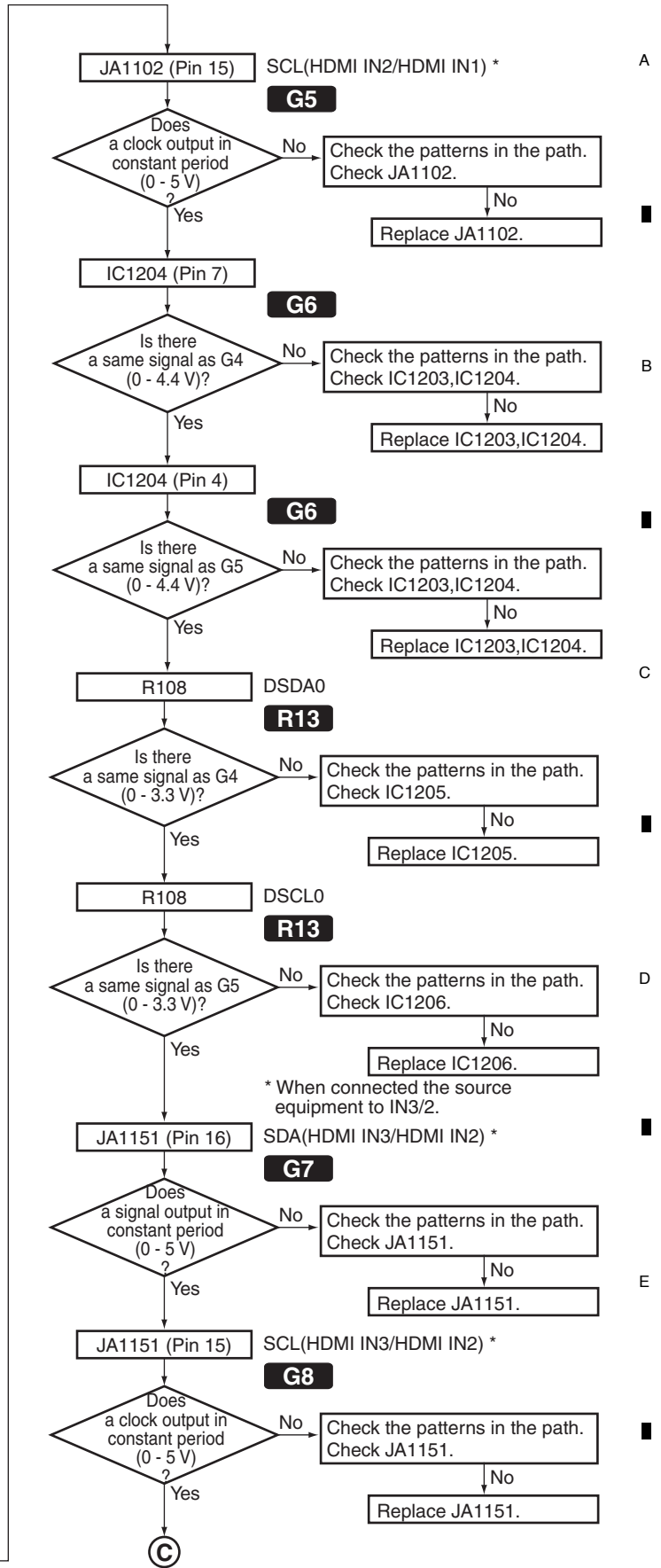
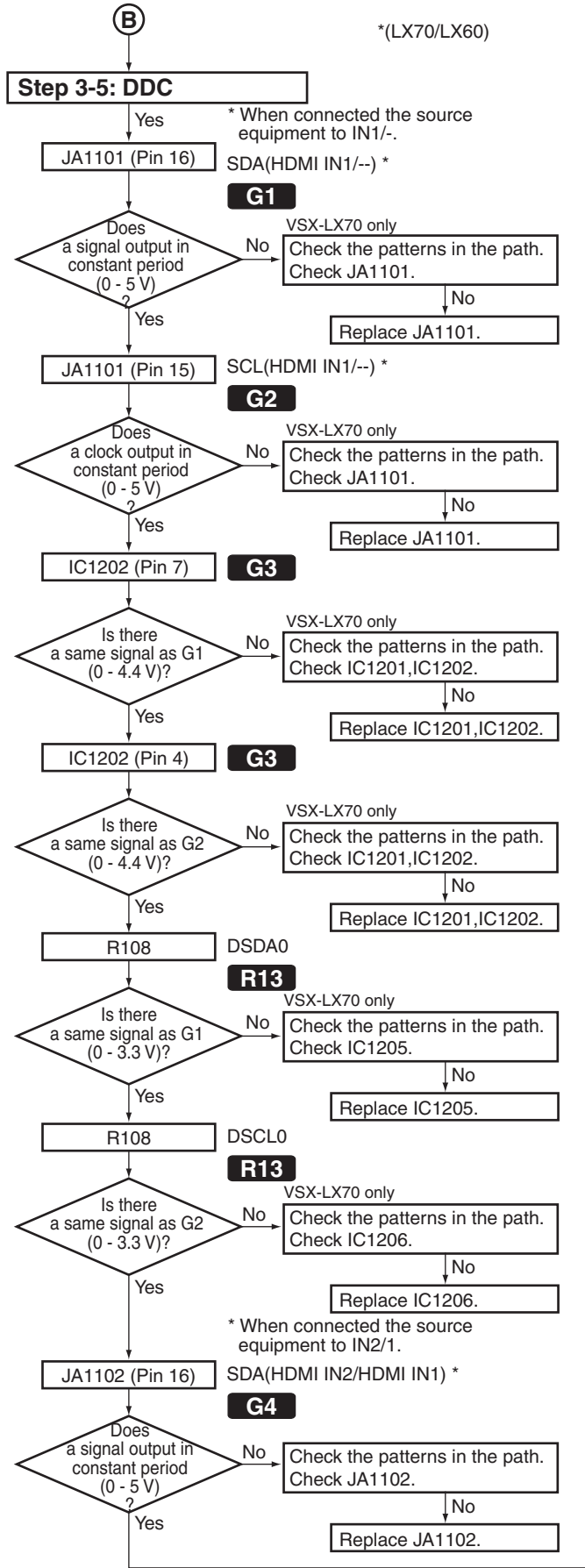
(A)

*(LX70/LX60)



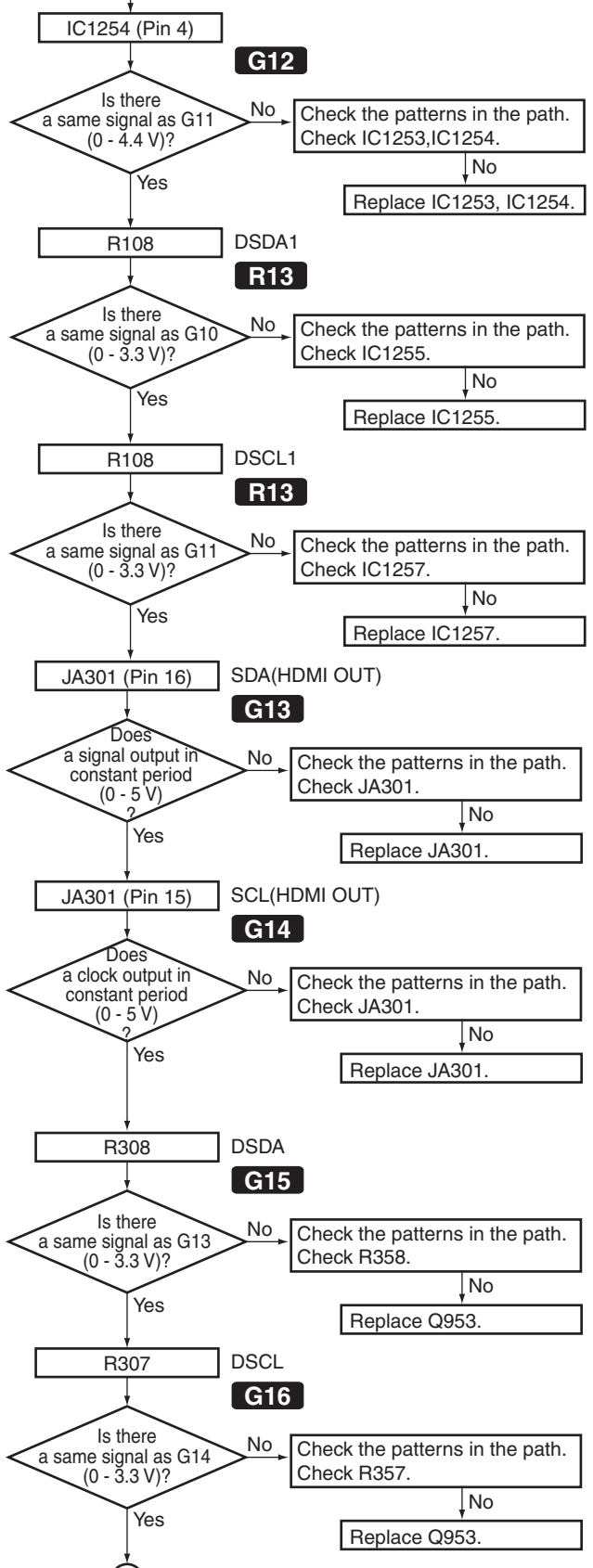
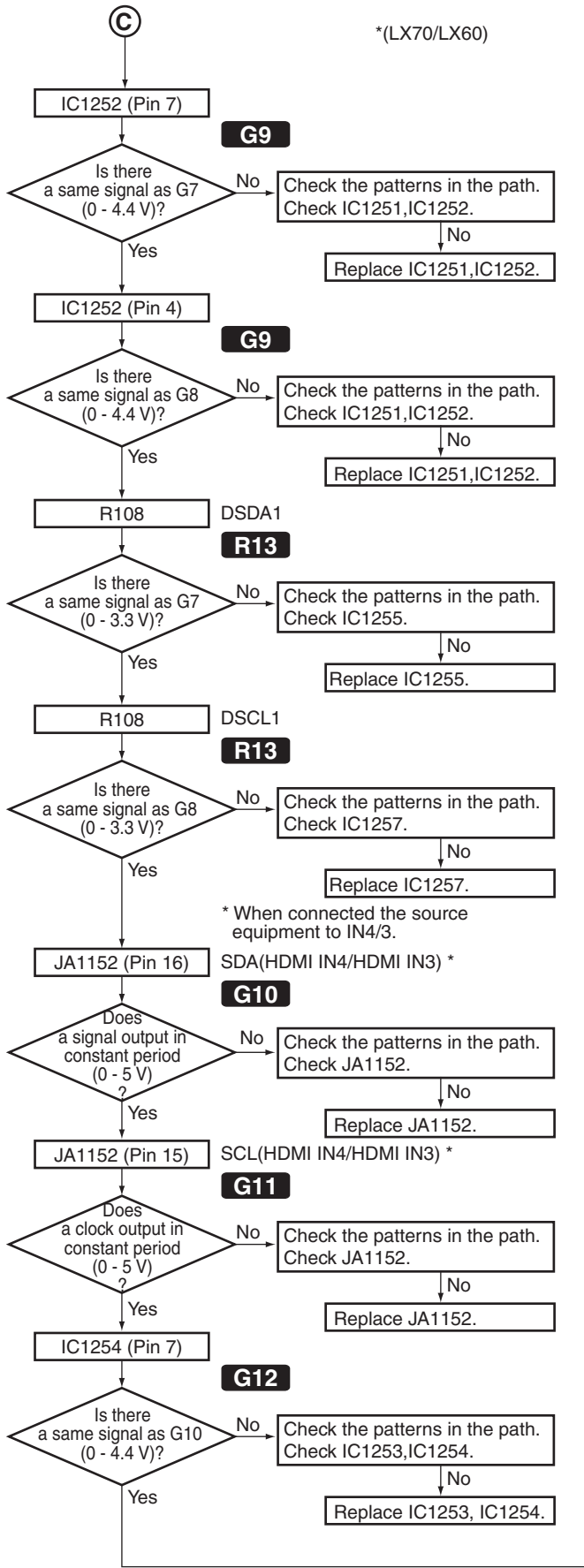
Step 3-4: Source 5V

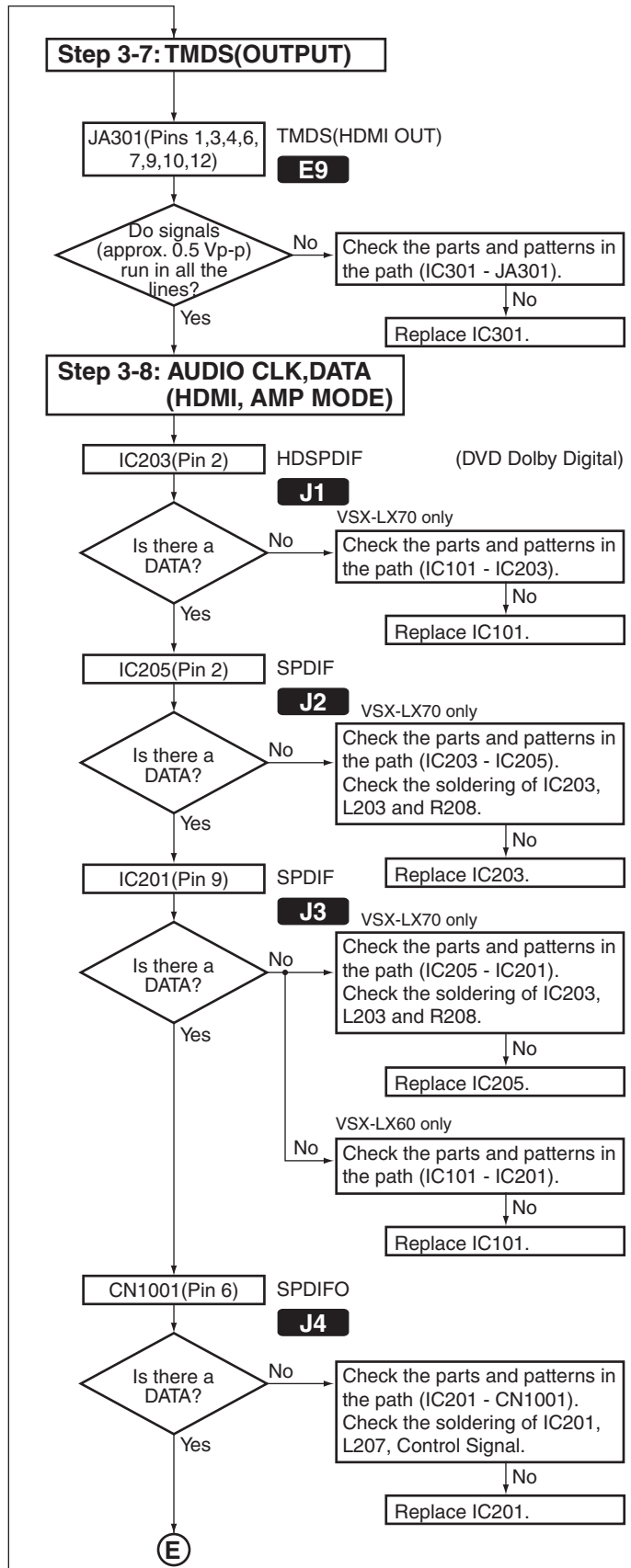
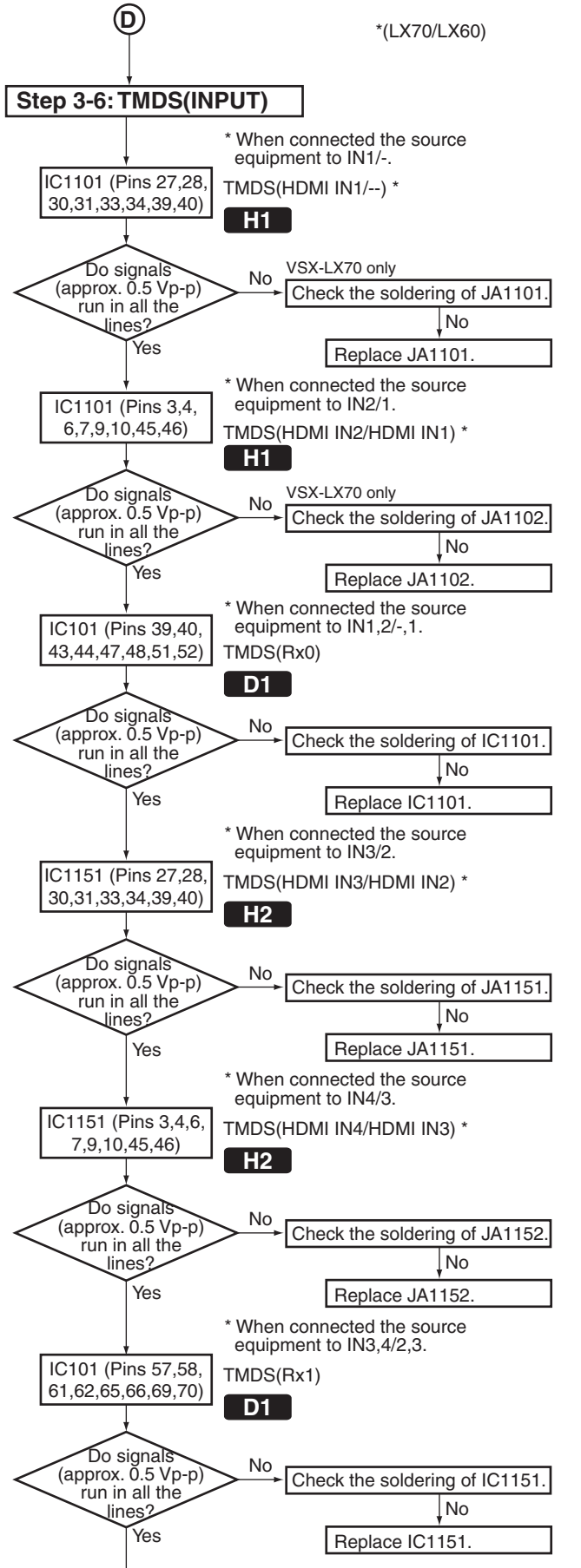




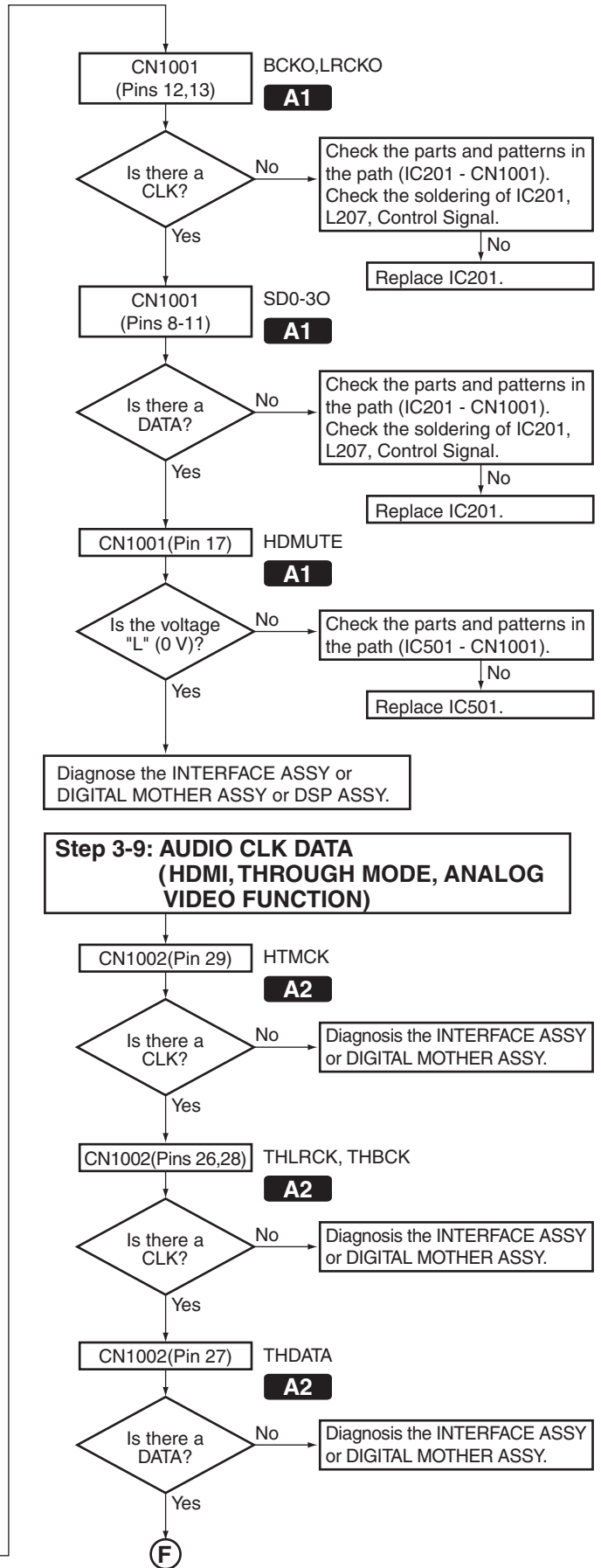
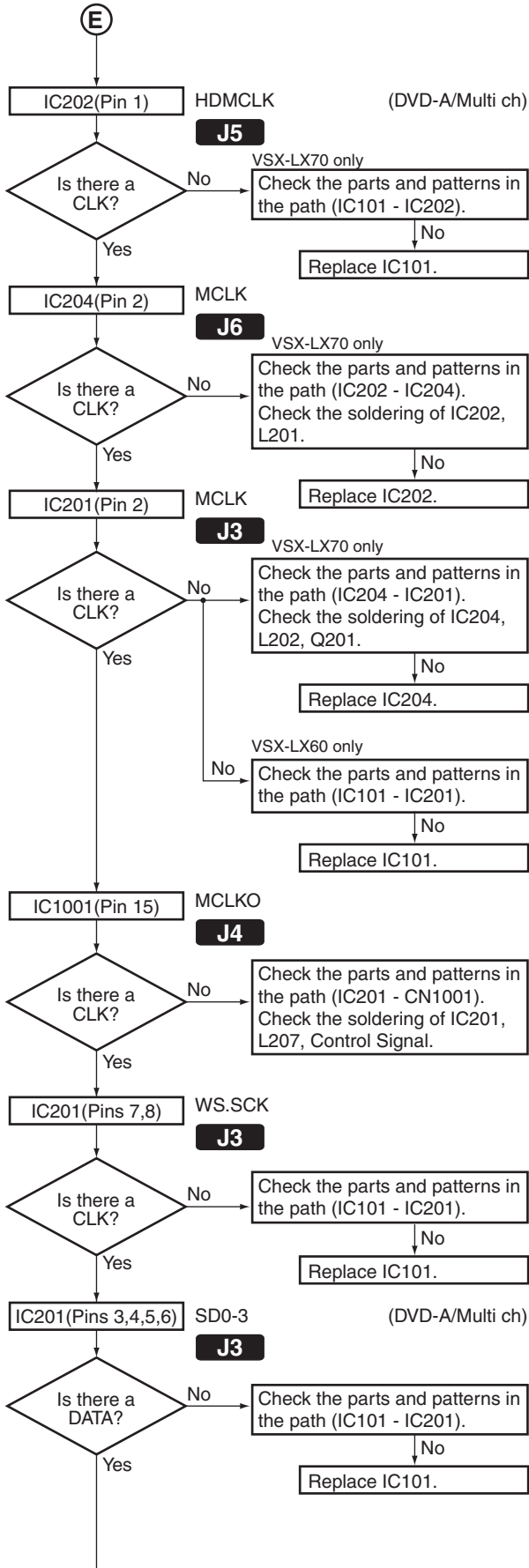
*(LX70/LX60)

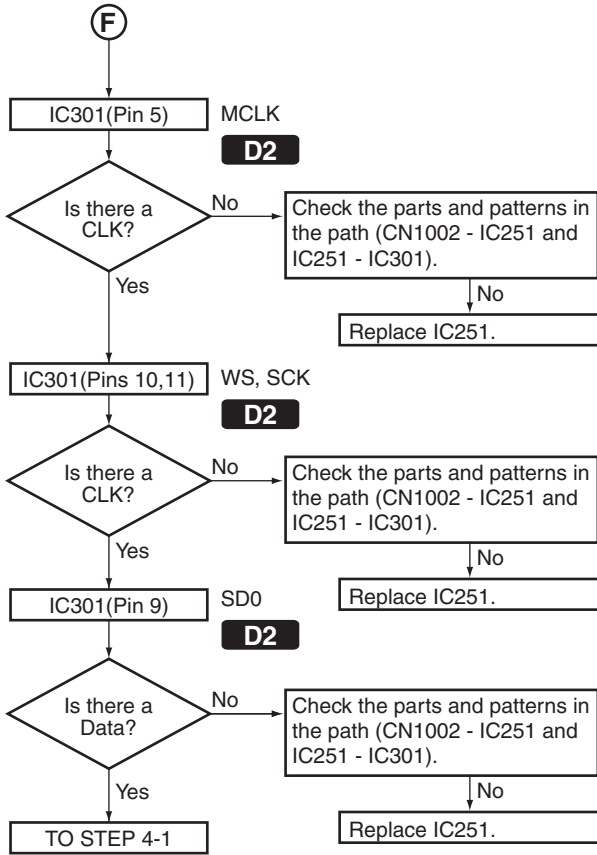
A
B
C
D
E
F





A
B
C
D
E
F

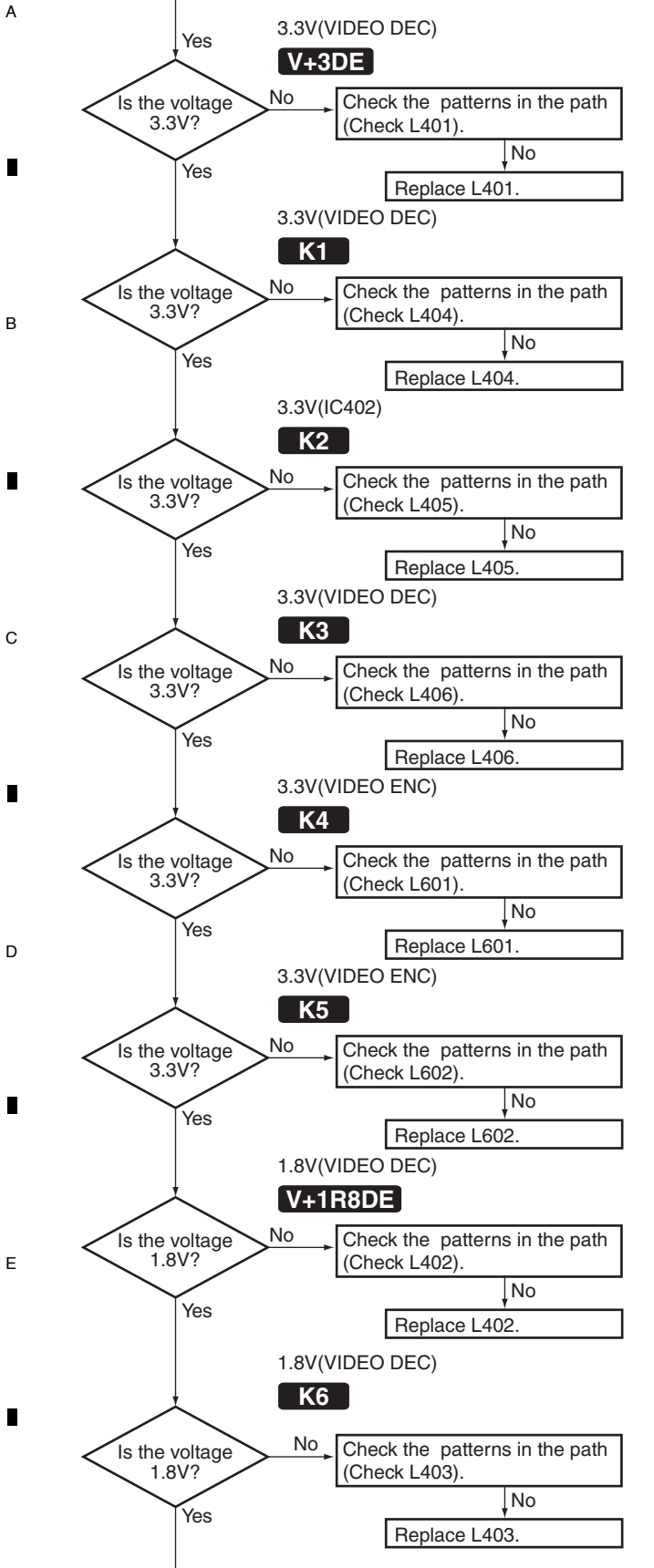




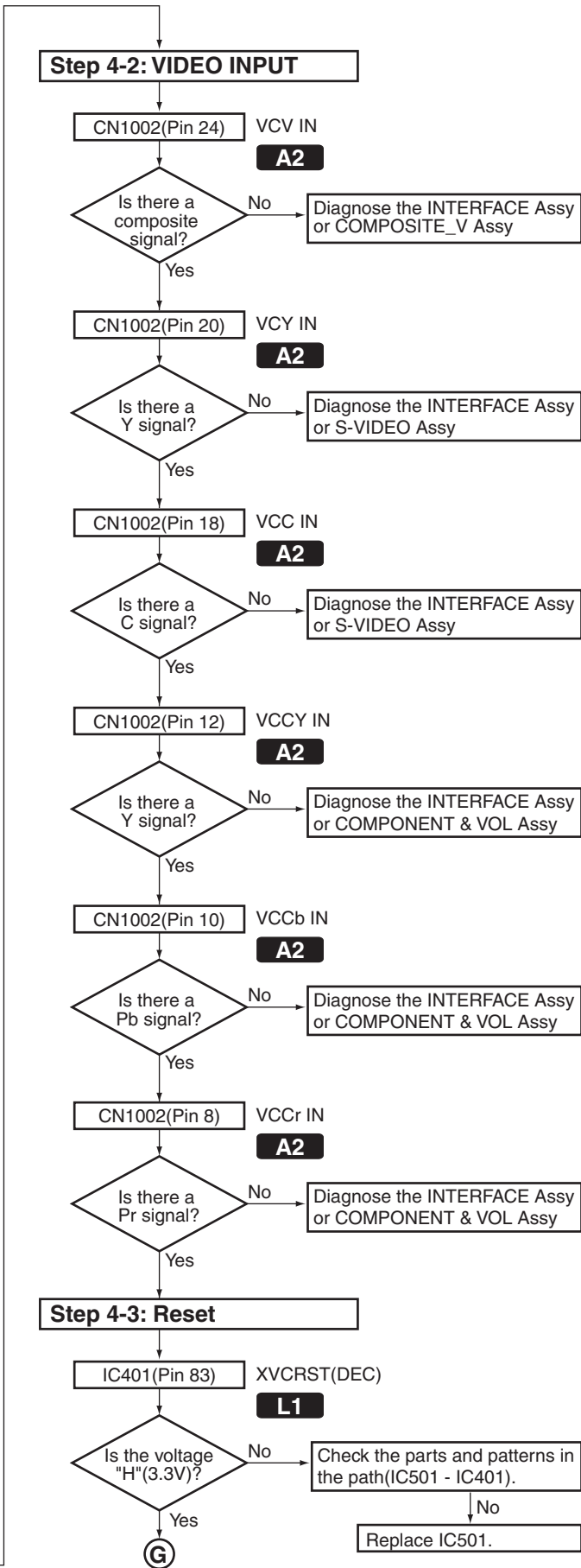
A
B
C
D
E
F

Video converter section

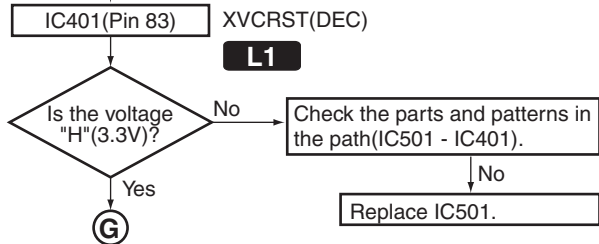
Step 4-1: Power supply

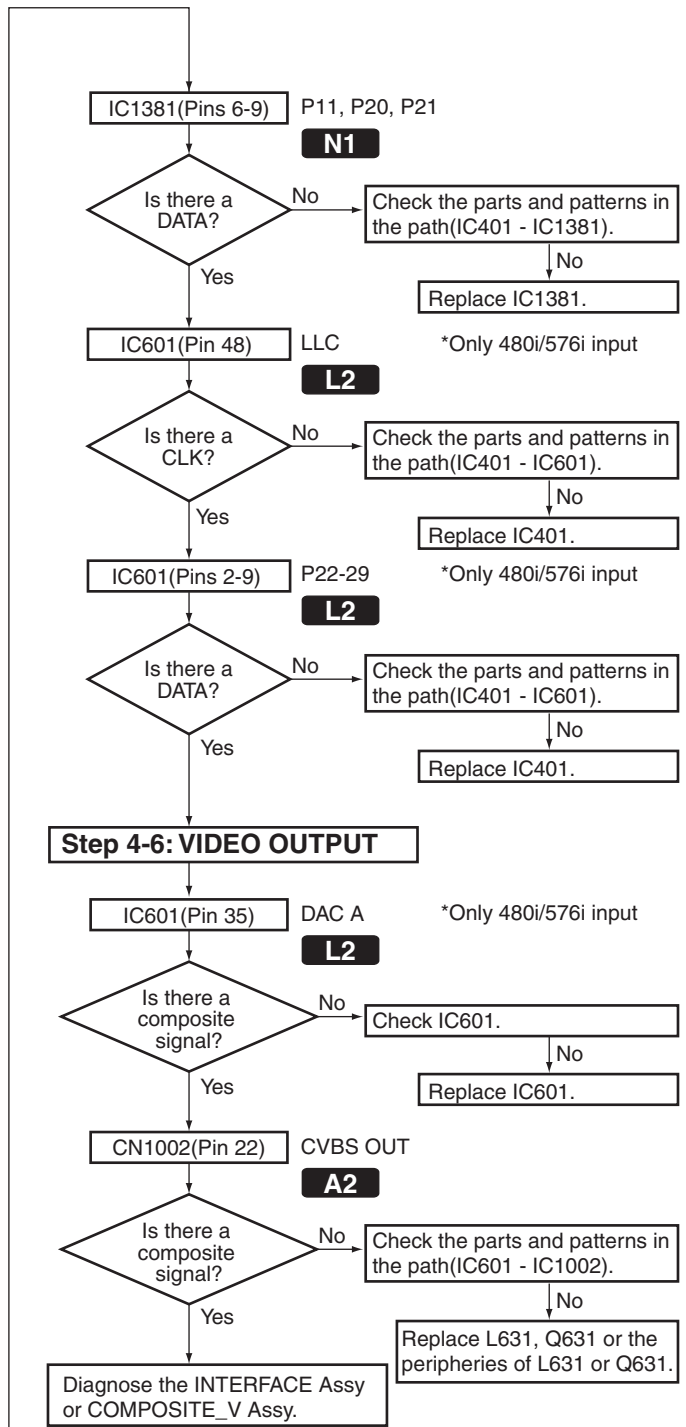
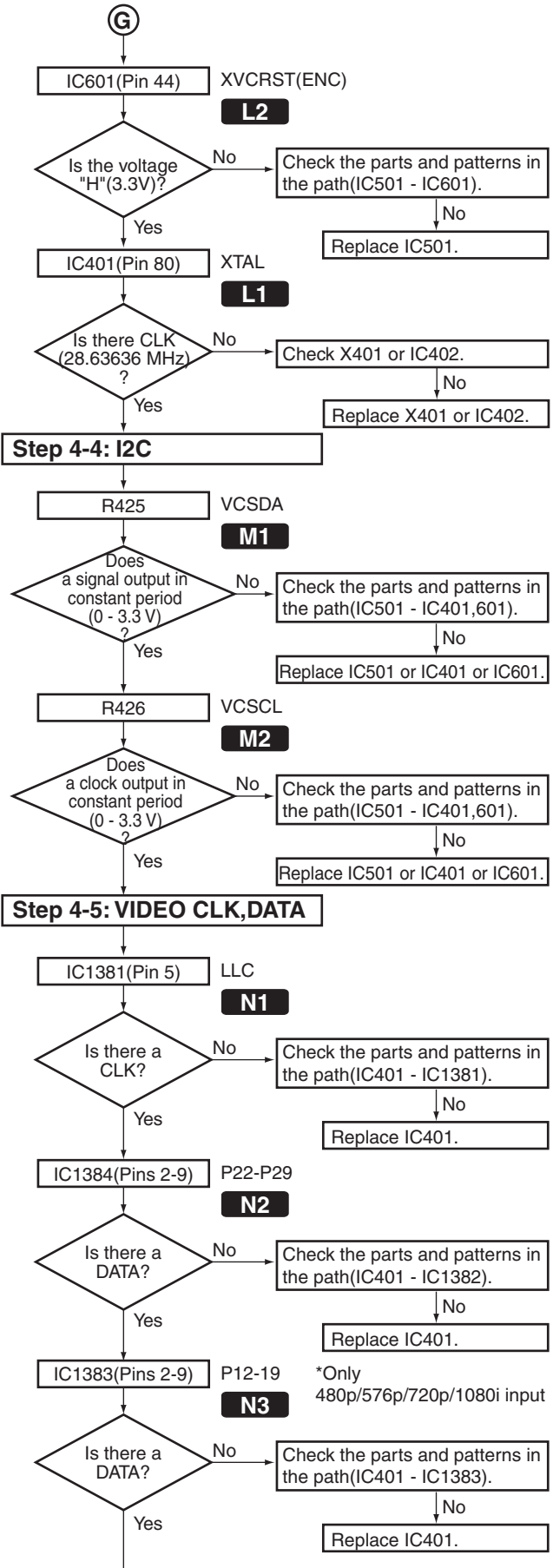


Step 4-2: VIDEO INPUT

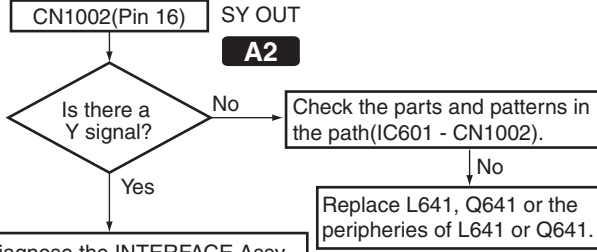
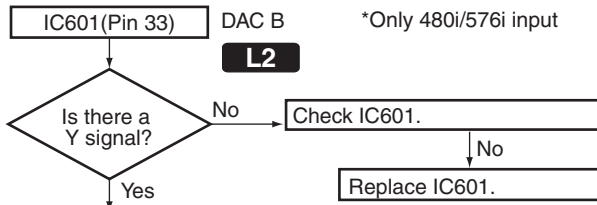


Step 4-3: Reset

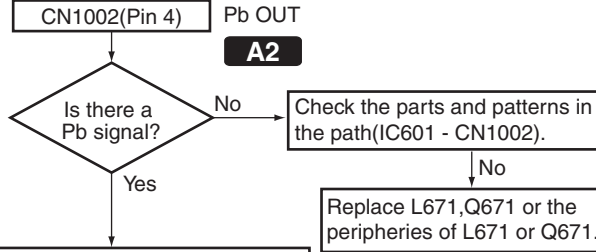
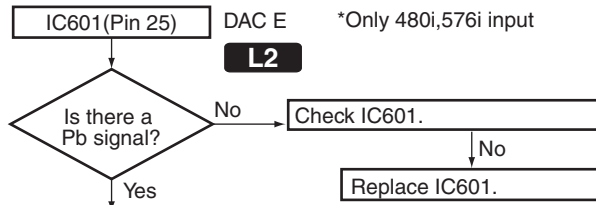




A

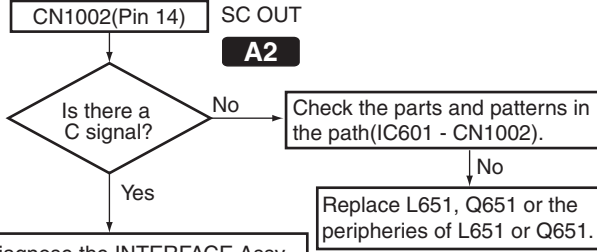
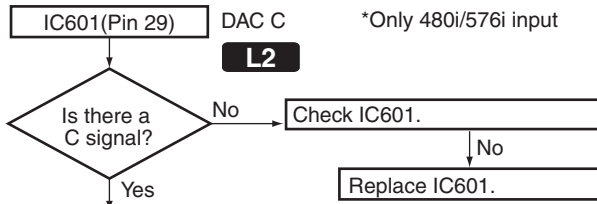


B

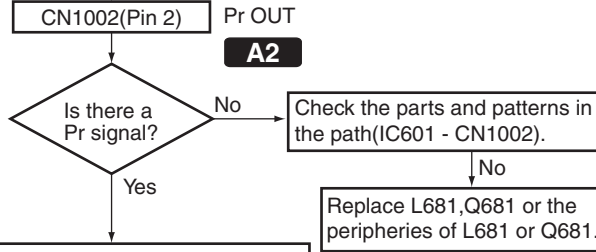
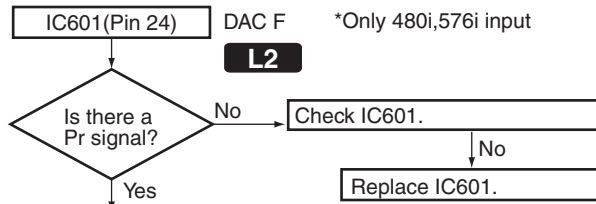


B

C

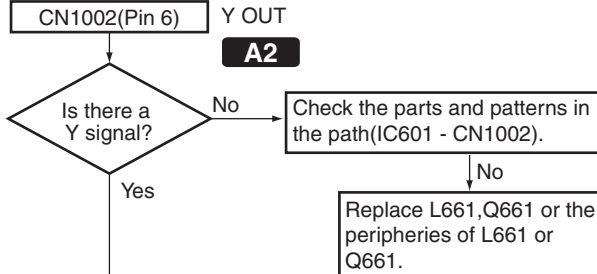
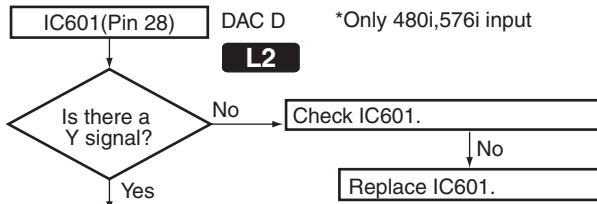


D



D

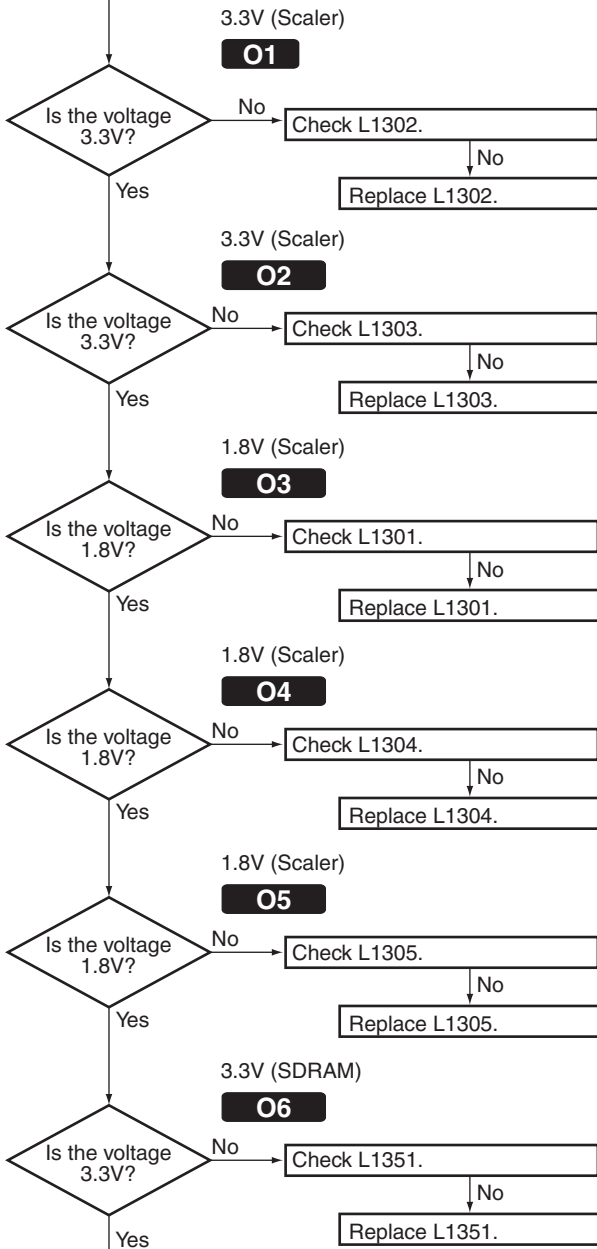
E



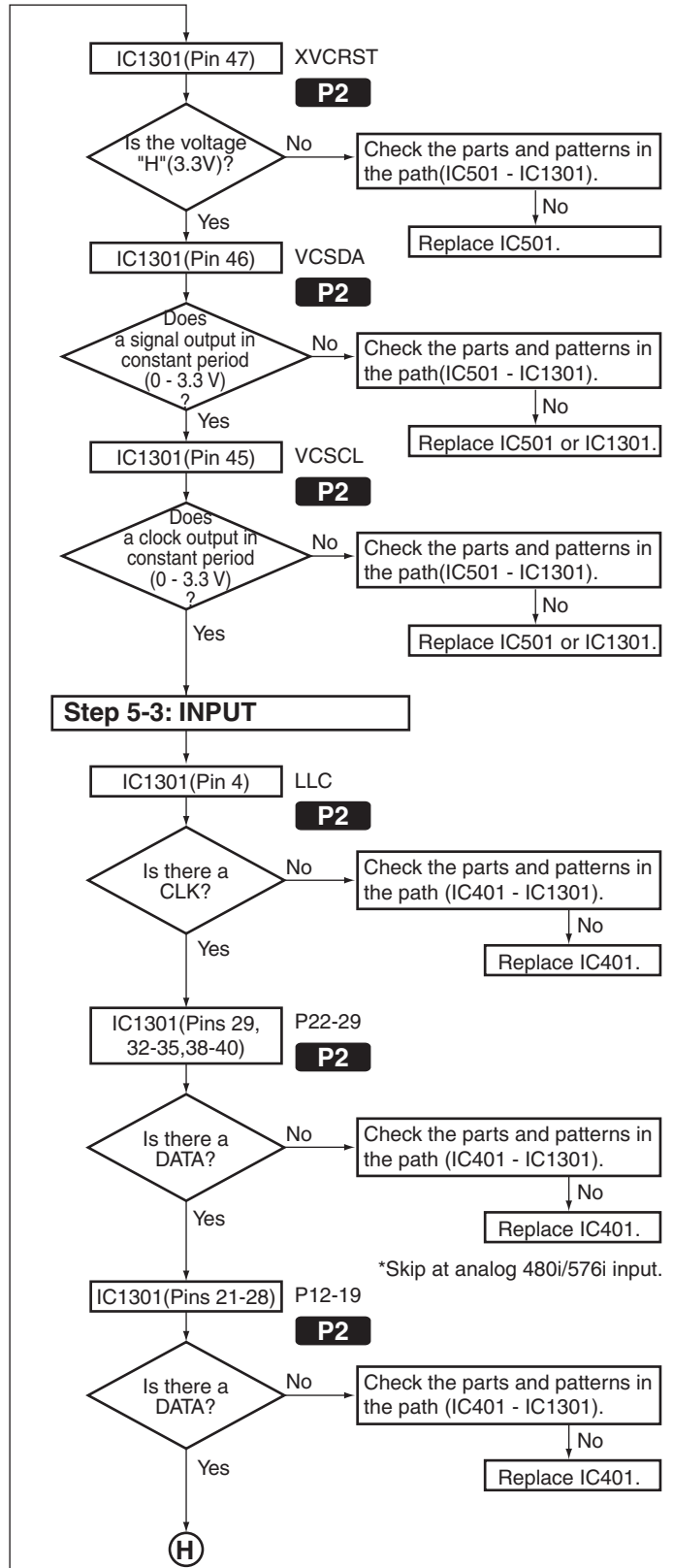
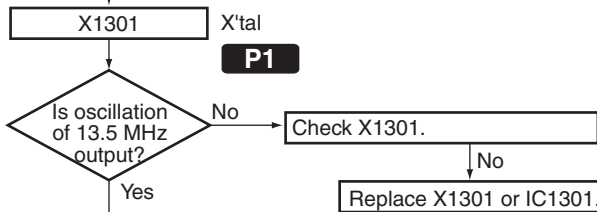
F

Scaler section

Step 5-1: Power supply



Step 5-2: X'tal, Reset



(H)

IC1301(Pin 1) HS

P2

Is there a HSYNC?

No

Check the parts and patterns in the path (IC401 - IC1301).

No

Replace IC401.

Yes

IC1301(Pin 2) VS

P2

Is there a VSYNC?

No

Check the parts and patterns in the path (IC401 - IC1301).

No

Replace IC401.

Yes

IC1301(Pin 119) VSYNC

P2

Is there a VSYNC?

No

Check IC1301,IC1351.

No

Replace IC1301 or IC1351.

Yes

Diagnose the HDMI Tx(IC301).

Step 5-4: OUTPUT

IC1301(Pin 125) VCCK

P2

Is there a CLK?

No

Check IC1301,IC1351.

No

Replace IC1301 or IC1351.

Yes

IC1301(Pins 148-155) D16-23

P2

Is there a DATA?

No

Check IC1301,IC1351.

No

Replace IC1301 or IC1351.

Yes

IC1301(Pins 130-137) TD28-35

P2

Is there a DATA?

No

Check IC1301,IC1351.

No

Replace IC1301 or IC1351.

Yes

IC1301(Pin 118) HSYNC

P2

Is there a HSYNC?

No

Check IC1301,IC1351.

No

Replace IC1301 or IC1351.

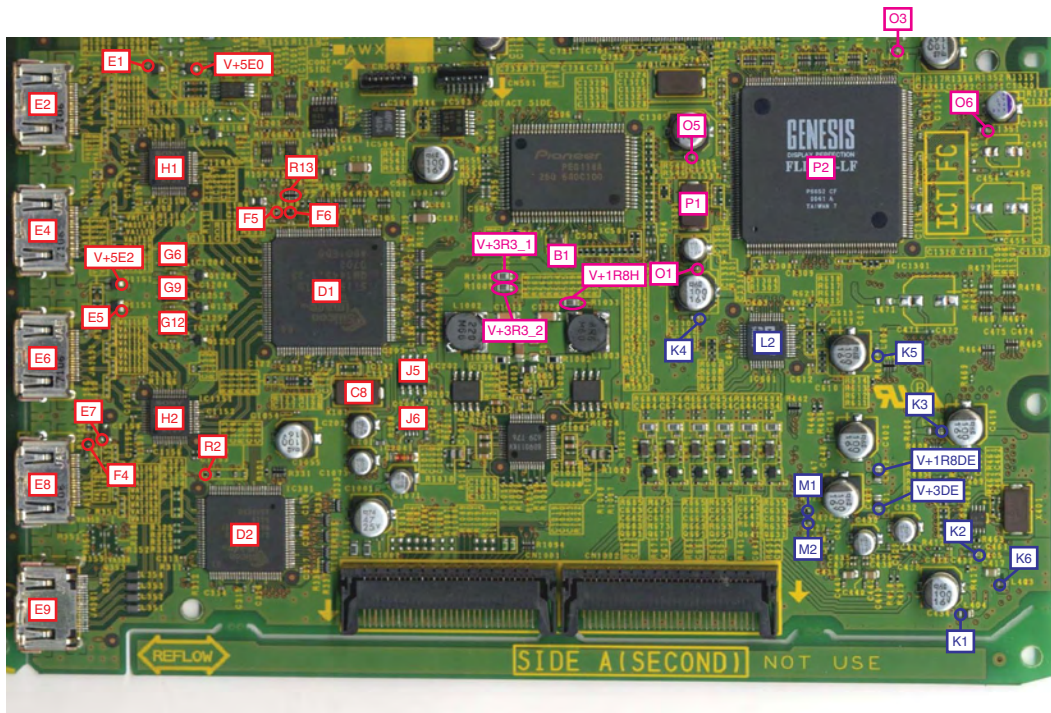
Yes

HDMI & DLNA Assy Check Points

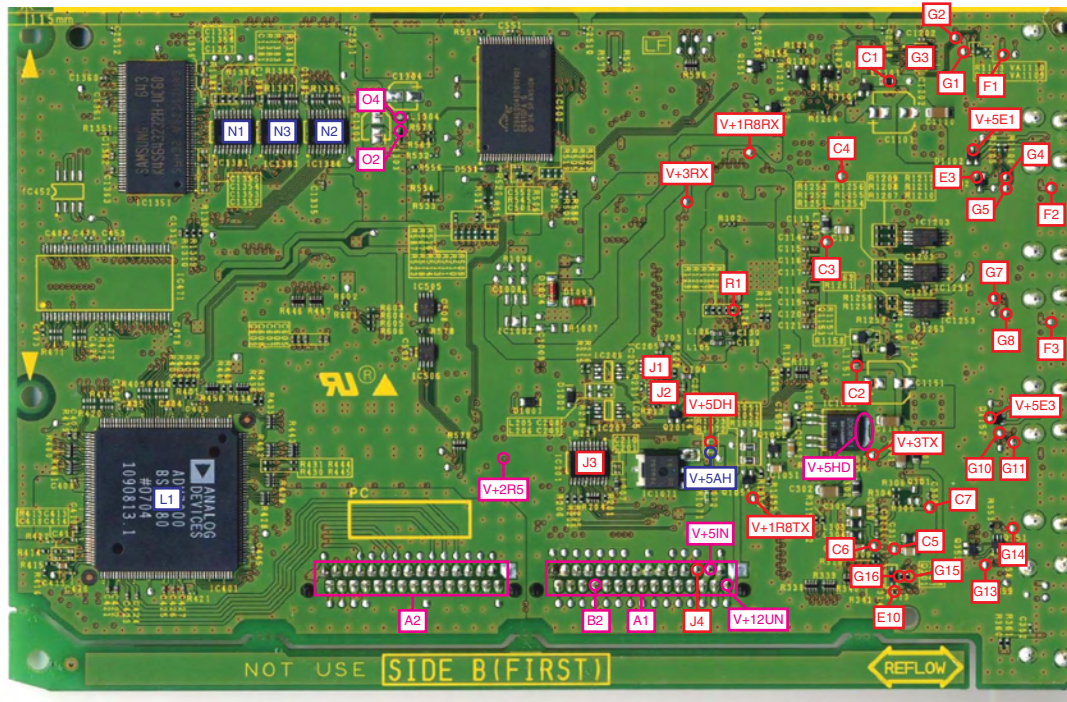
AJ HDMI & DLNA ASSY

	Commonness		HDMI		Video Converter
--	------------	--	------	--	-----------------

SIDE A



SIDE B



Note : The above photograph is VSX-LX70. HDMI/DVC block of VSX-LX60 is the same layout.

HDMI & DVC Block Diagram

A

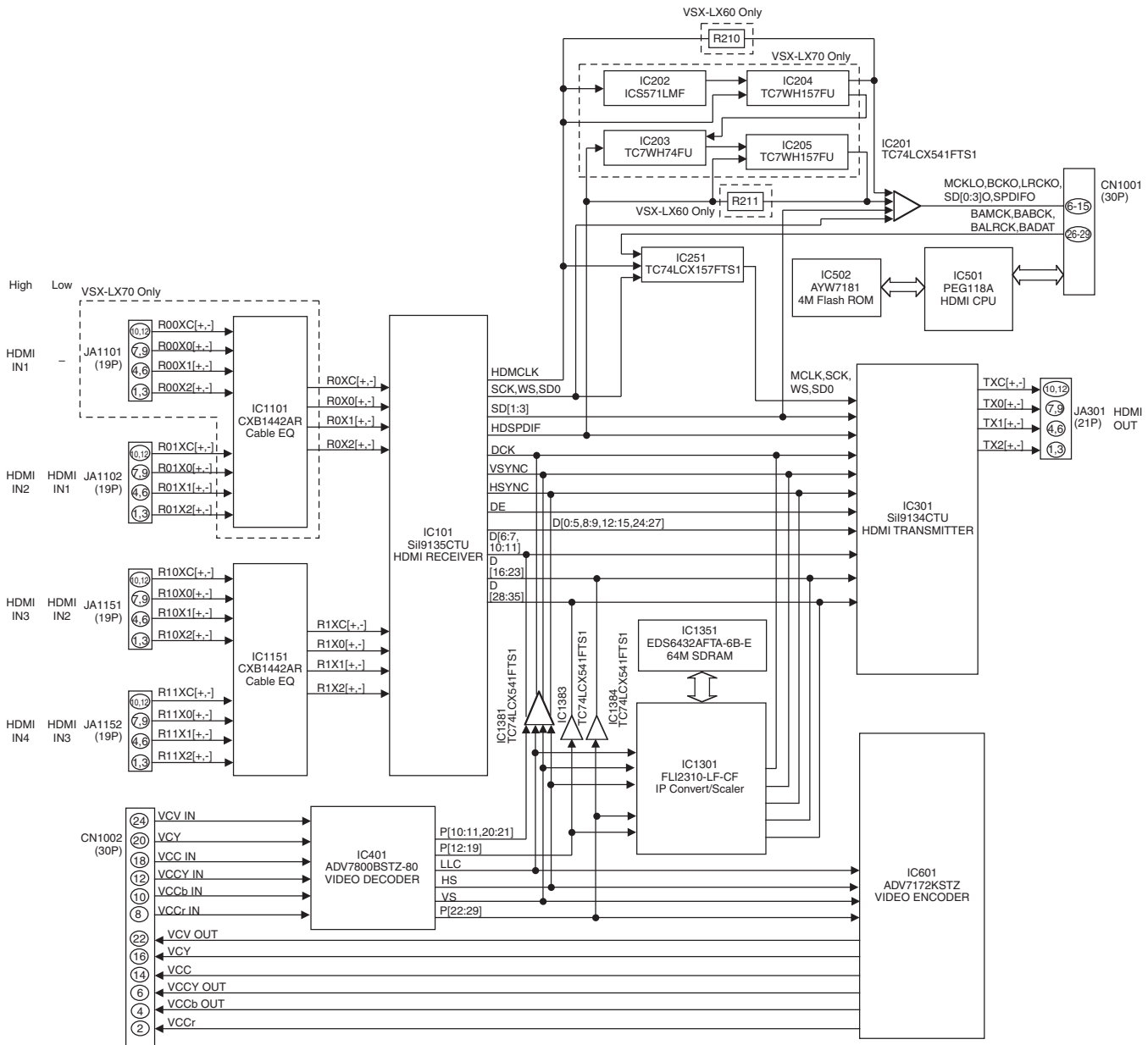
B

C

D

E

F



Note : The above Block Diagram is VSX-LX60. HDMI/DVC block of VSX-LX70 is the same layout.

5.1.3 DIAGNOSIS OF THE NETWORK BLOCK

1. Constitution of network function

CD --- -- HDMI4 ---- HOME MEDIA GALLERY

- USB
- Internet Radio
- Neural Music Direct → Internet radio run by Neural
- Servier1
- Servier2
- Servier3
- Favorites
- Setup

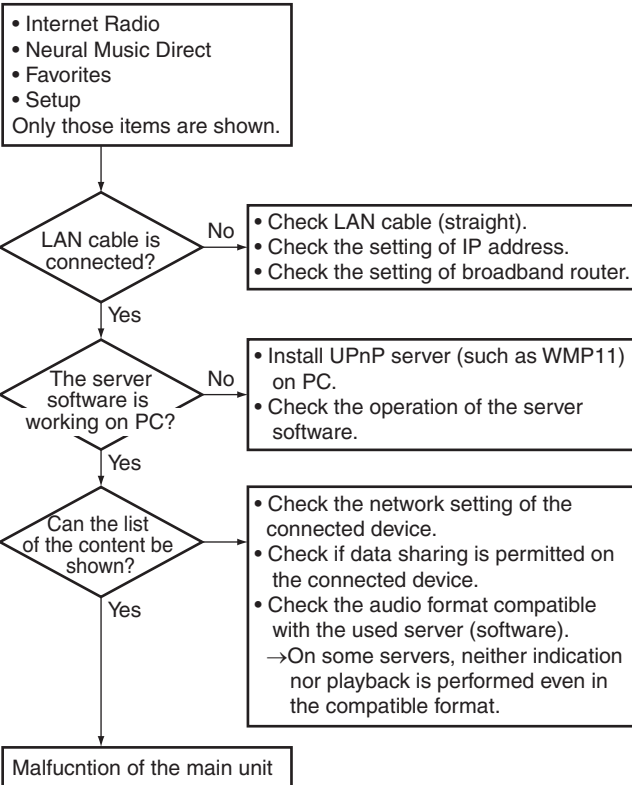
Information

- Firmware Version → Indicates the version of the firmware.
- MAC Address → Indicates MAC Address.
- IP Address → Indicates IP Address.
- Gateway IP → Indicates Gateway IP.
- Proxy Server → Indicates if Proxy Server is valid or invalid.
- Subnet Mask → Indicates Subnet Mask.

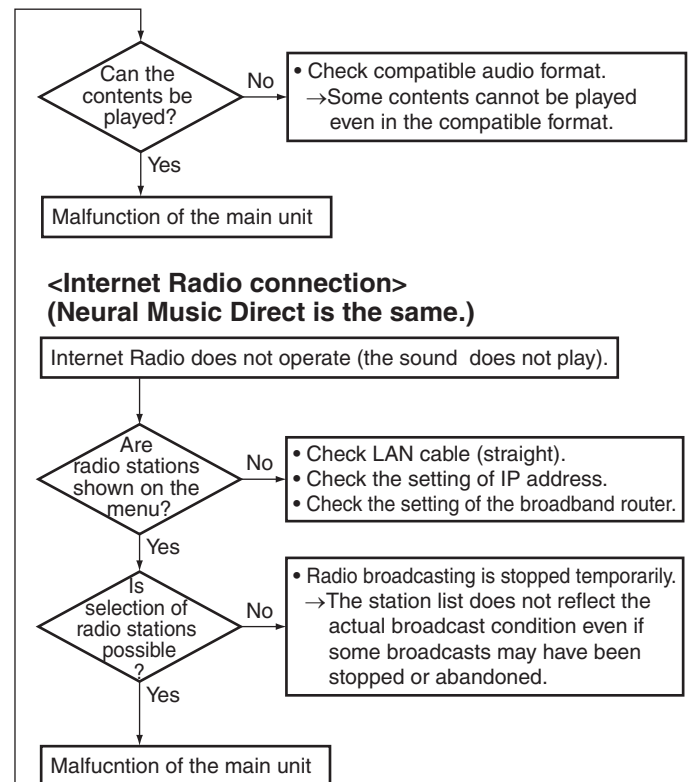
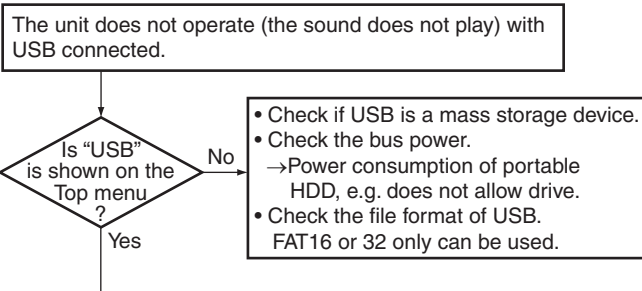
Network Setup

2. Flow chart for isolation of network malfunction

<Network connection>

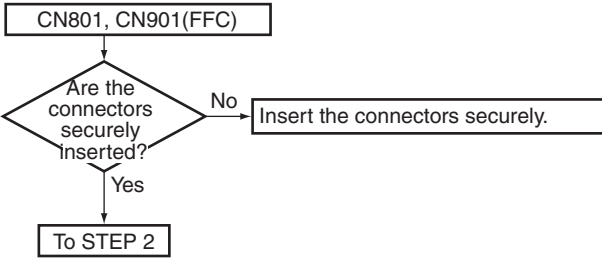


<USB connection>

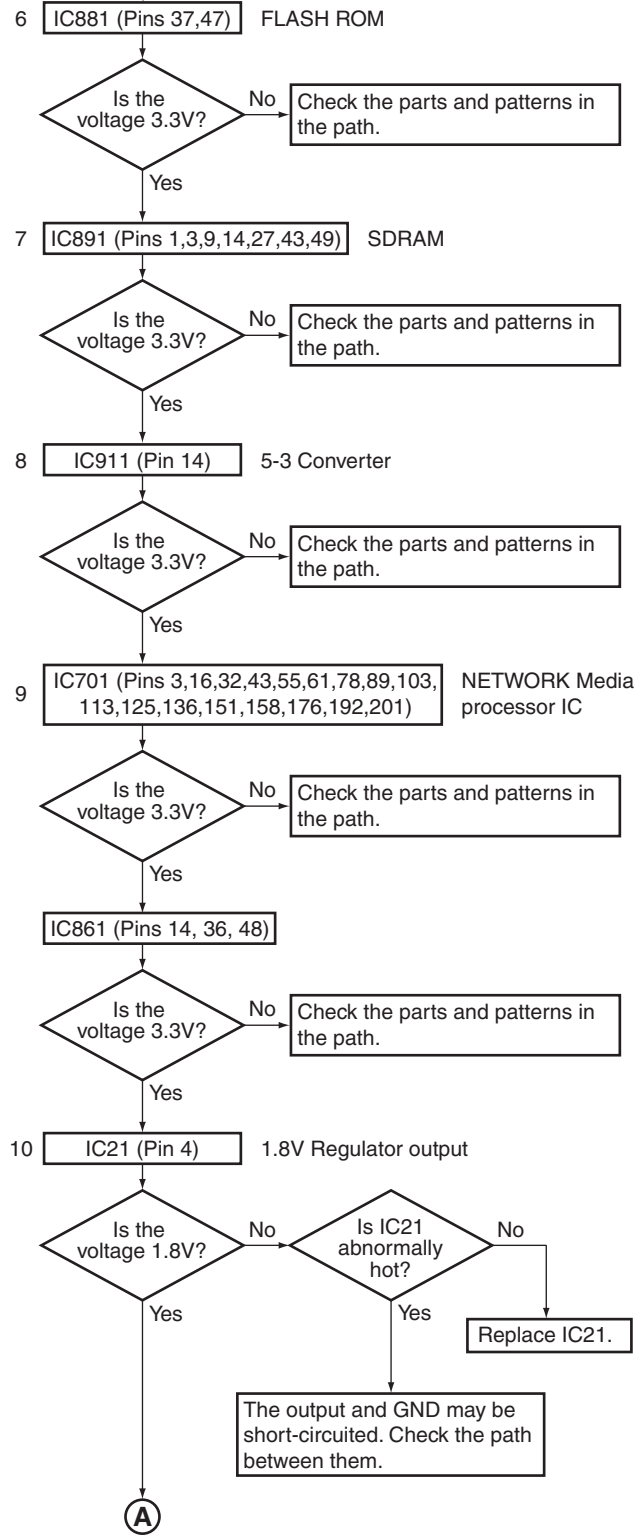
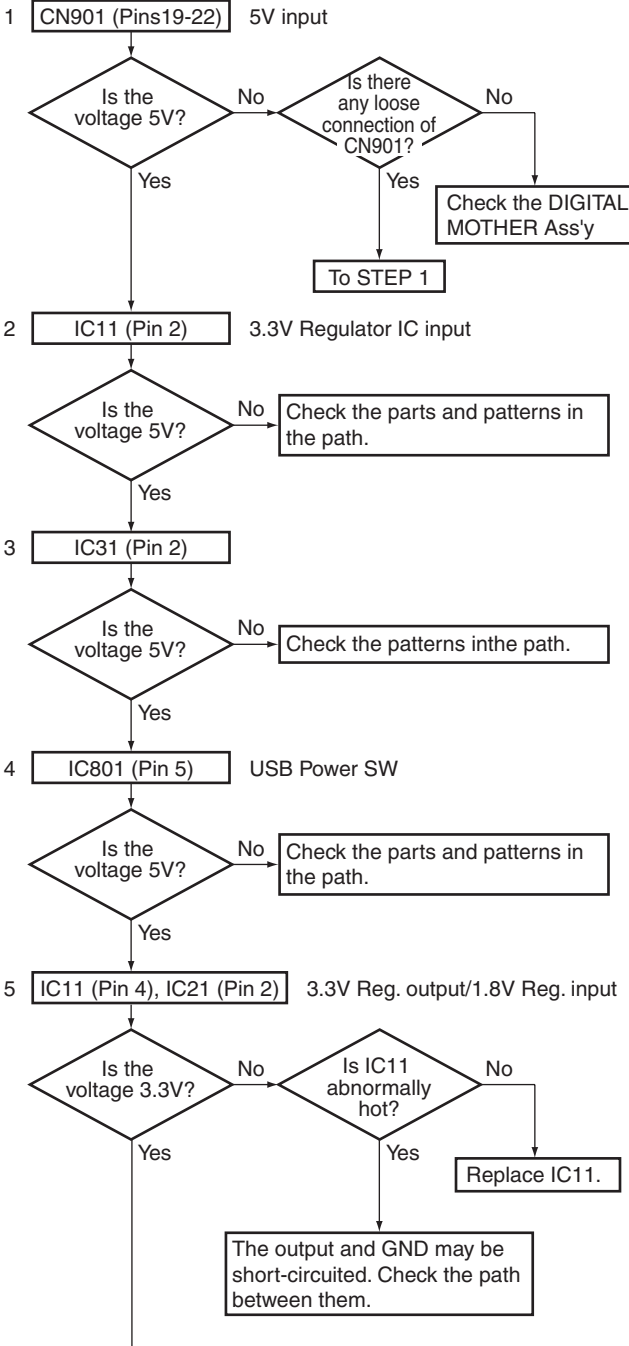


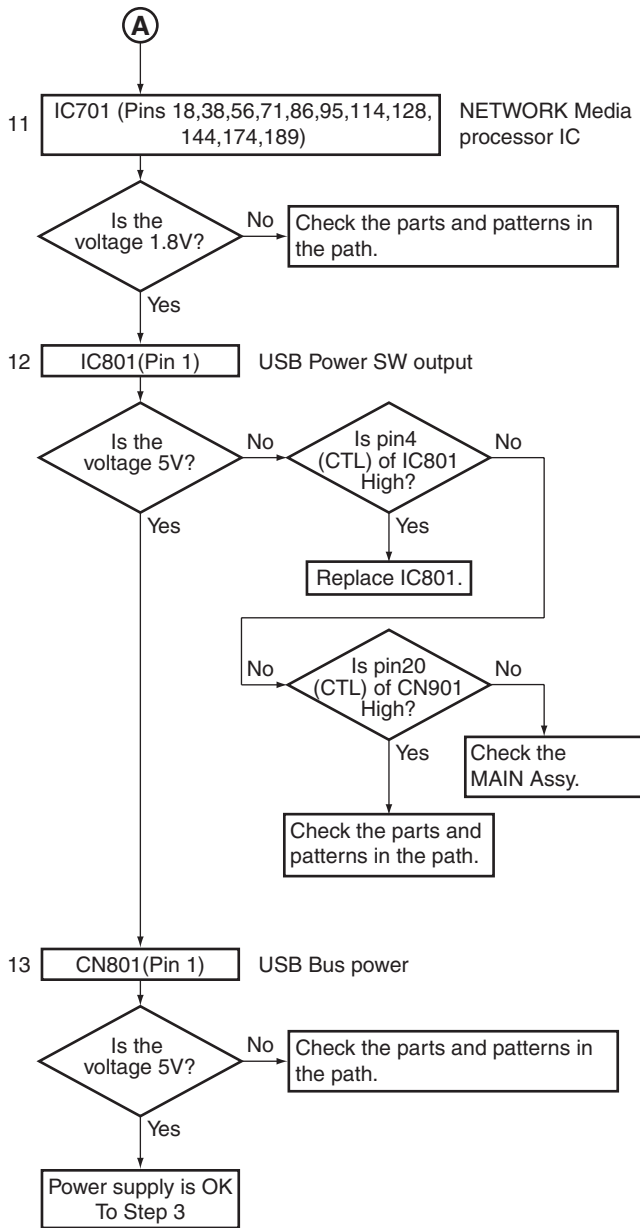
■TROUBLESHOOTING THE NETWORK BLOCK

Step 1: Connectors



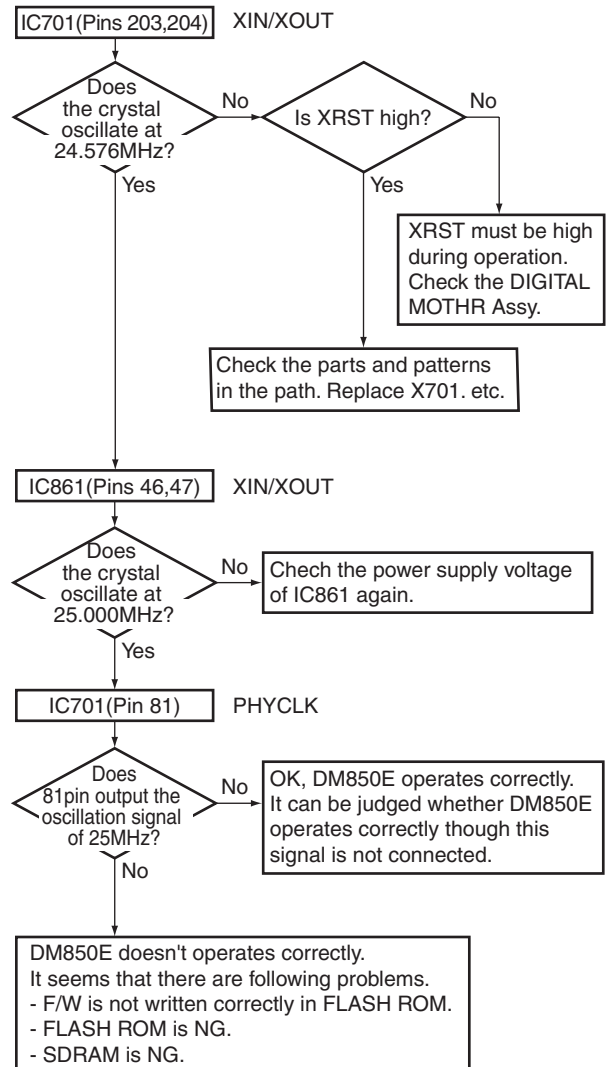
Step 2: Power supply





Step 3: Operation of Network Media processor IC

*Please confirm it with the USB memory that saved the music content.



Step 4 : Communication between DM850E and System CPU

The signal shown by following fig are communication line of DM850E and main CPU(IC101). Confirm the connection of the signals along these routes.

fig. 1

	CN901	IC911 (5V→3V)	IC701
XRST	Pin 1	Pin 12	Pin 11 Pin 190
SPI CS	Pin 10	Pin 2	Pin 3 Pin 143
SPI CLK	Pin 3	Pin 5	Pin 6 Pin 141
SPI TX	Pin 8	Pin 9	Pin 8 Pin 147

fig. 2

	IC701	IC921 (3V→5V)	CN901
SPI RX	Pin 146	Pin 9	Pin 8 Pin 7
SPI REQ	Pin 100	Pin 5	Pin 6 Pin 9

Step 5 : Communication between DM850E and System CPU

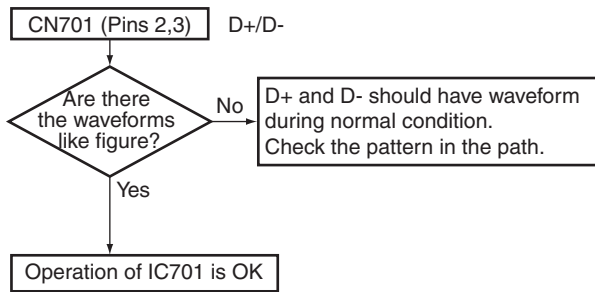
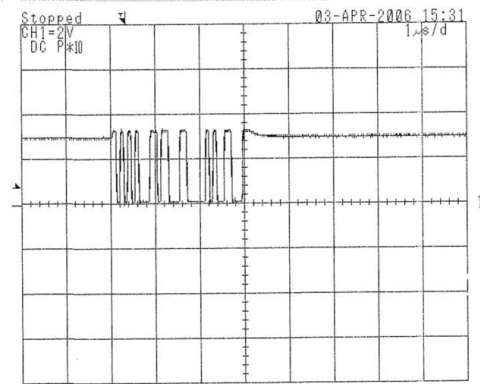
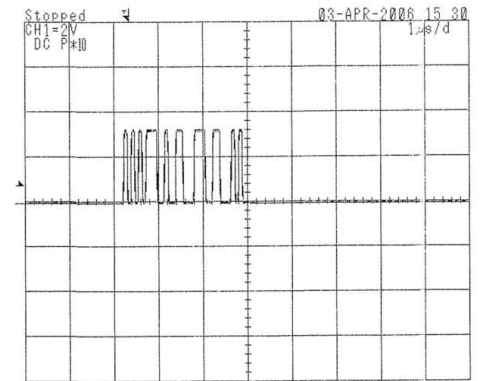


fig. : D+



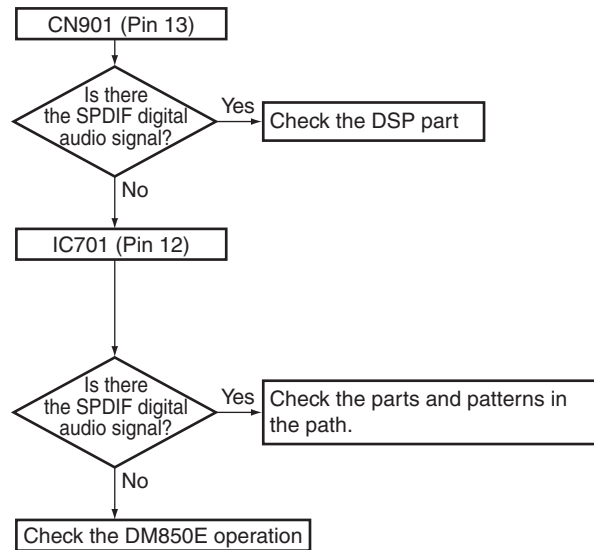
X : 1usec/div, Y : 2V/div

fig. : D-



X : 1usec/div, Y : 2V/div

Step 6 : Audio Output



<Additional information>

- An IC having data (MAC addresses, Favorite and Details etc. that users have changed) on the network (Home Media Gallery) is IC881 (AYW7185).
- How to confirm the network connection
 Set to "Home Media Gallery" entry → Select "Set up" from home menu → Select "Network Setup" with ↑↓ Key →
 When "Network Connection Network Found" is displayed, the network can be connected.
 When "Network Connection No Network Found" is displayed, the network cannot be connected.
 → Check the router setting or LAN connection.

■ Description of Error Indications

FL Display	Error Content	Possible causes and actions to be taken
USB ERROR1	Detection of overcurrent to a USB device	Overcurrent (500 mA or more) is consumed at the connected USB device. • Some USB devices, such as a portable HDD, need more current than that this unit supplies. (Use the AC adaptor for the connected USB device.) • The USB power is short-circuited.
USB ERROR2	Detection of a medium not supported	A USB device that this unit does not support (other than the Mass Storage Class) is connected (such as a mouse, printer, or digital camera). • Connect a mass storage class USB device.
USB ERROR3	Communication error with the system microcomputer	Communication between TCC8600-00X-EA-UG (IC701) and PEG378A (IC101) failed. • Defective connection (connectors) inside this unit • See STEP 3 of Troubleshooting.

■ Operations when overcurrent to a USB device is detected

- (1) Overcurrent to a USB device is detected at the port for the microcomputer.
- (2) The power supply to the USB device is stopped.
- (3) Control of 5 V power is disabled at the port for the microcomputer.
- (4) Change of indications on the FL display

Flashes for 2 sec.

U S B E R R 1



Lights up after flashing for 2 sec.

U S B E R R 1

- (5) To supply power to the USB module again:

- Turn the power to the unit off then back on.
- Set the function setting to anything other than USB then back to USB.
- Press the USB play key on the remote control unit.

- (6) After overcurrent is detected, if the USB play key is pressed while the error indication is displayed, power supply to the USB module is restored. If overcurrent is no longer detected, the indications shown below are displayed (normal indication):

U S B

In this state, flashing of "USB ERROR1" stops, but playback will not start. To start playback, press the USB play key again.

In the above case, if overcurrent is detected again, the above procedures 1 through 4 are repeated.

■ In a case where a medium not supported is connected

- (1) Change of indications on the FL displays

Flashes for 2 sec.

U S B E R R 2



Lights up after flashing for 2 sec.

U S B E R R 2

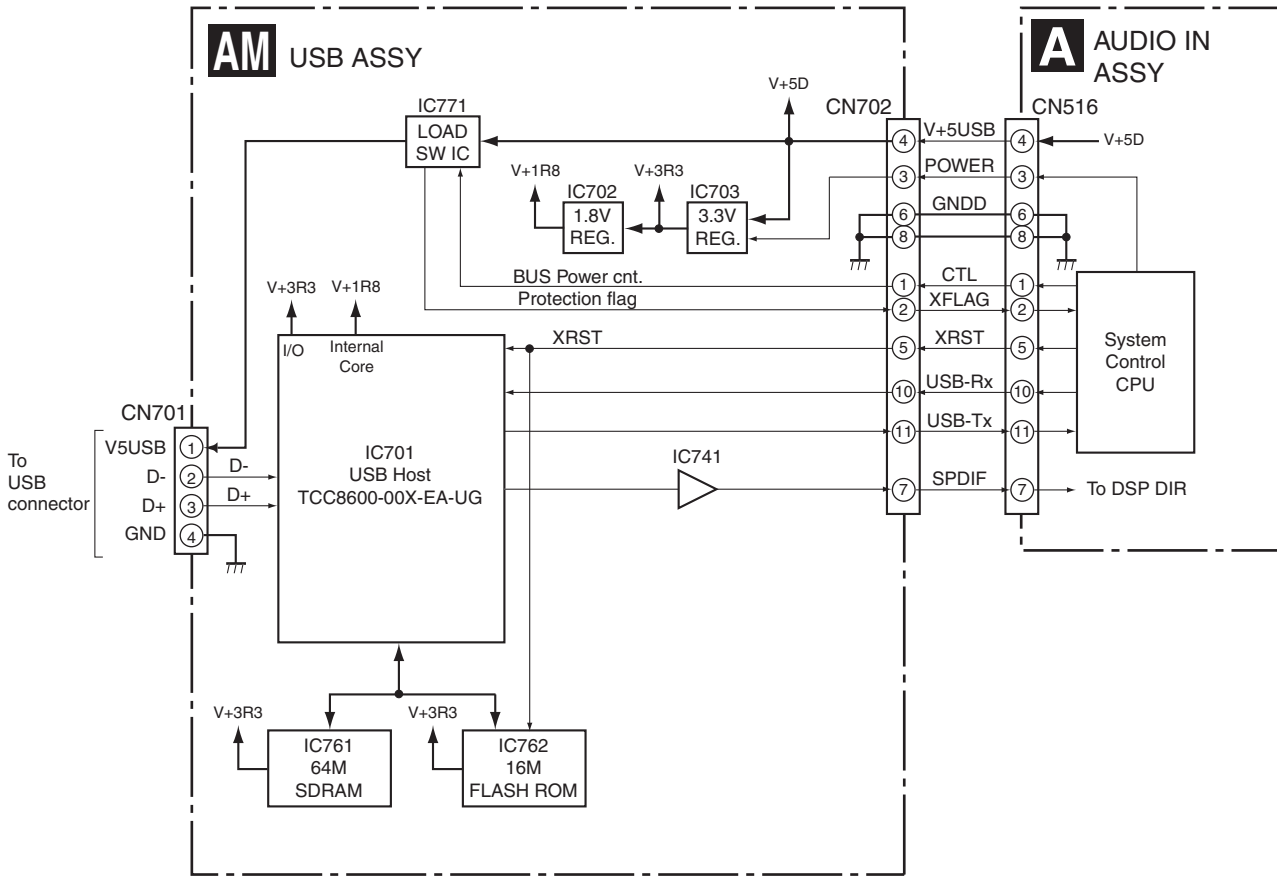
If overcurrent is detected before detection of a non-supported medium, the error indication "USB ERROR1" remains, as the power supply to the USB module is stopped.

On supported media

The formats of supported media that can be played back on this unit are MP3, WMA, and AAC.

Some media in MPEG4 can also be played back. As AAC derives from MPEG4 codec, playback of media in AAC codec of MPEG4 is possible.

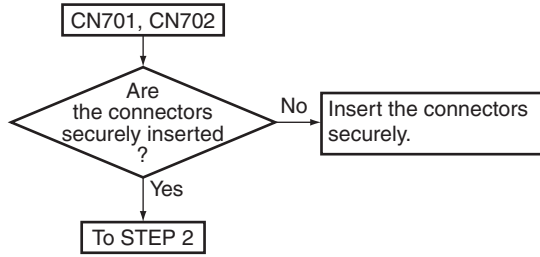
Block Diagram of the USB Assy



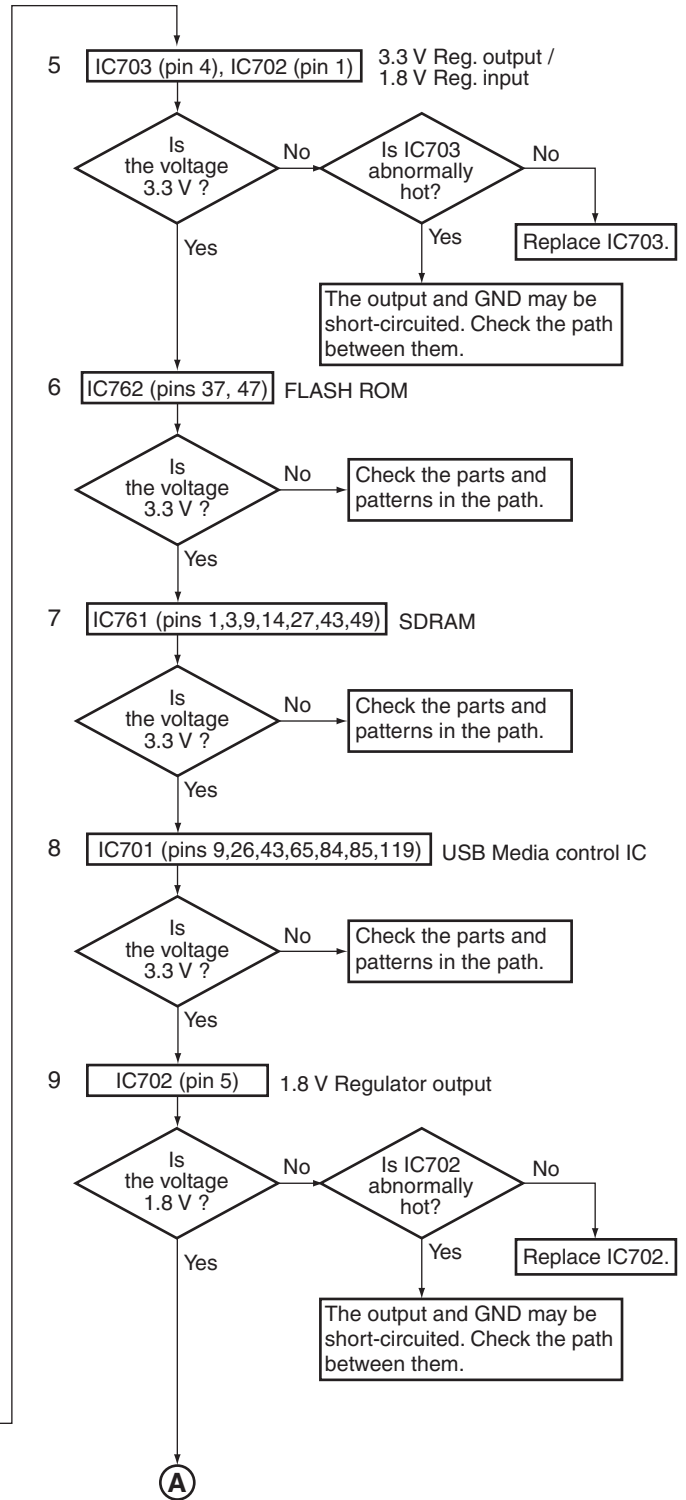
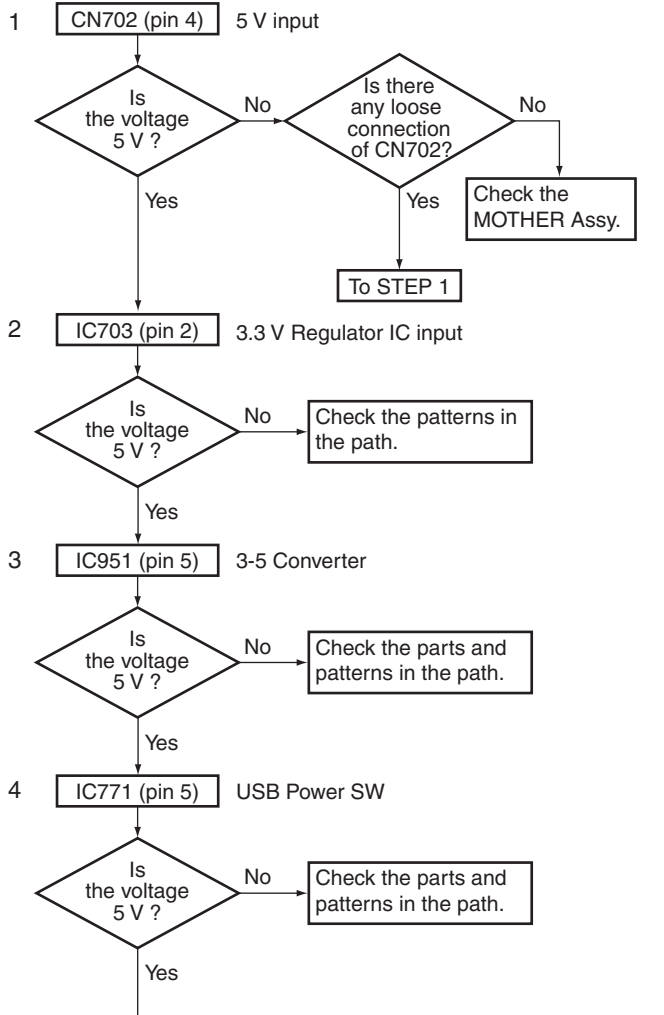
Main parts	Purpose
TCC8600-00X-EA-UG	USB Host control decoder (MP3/WMA/MPEG-4AAC)
16M FLASH ROM	Firmware is stored
64M SDRAM	Temporary storage area of decoding music file
LOAD SWITCH	Current limitation to USB device power

■ USB Troubleshooting

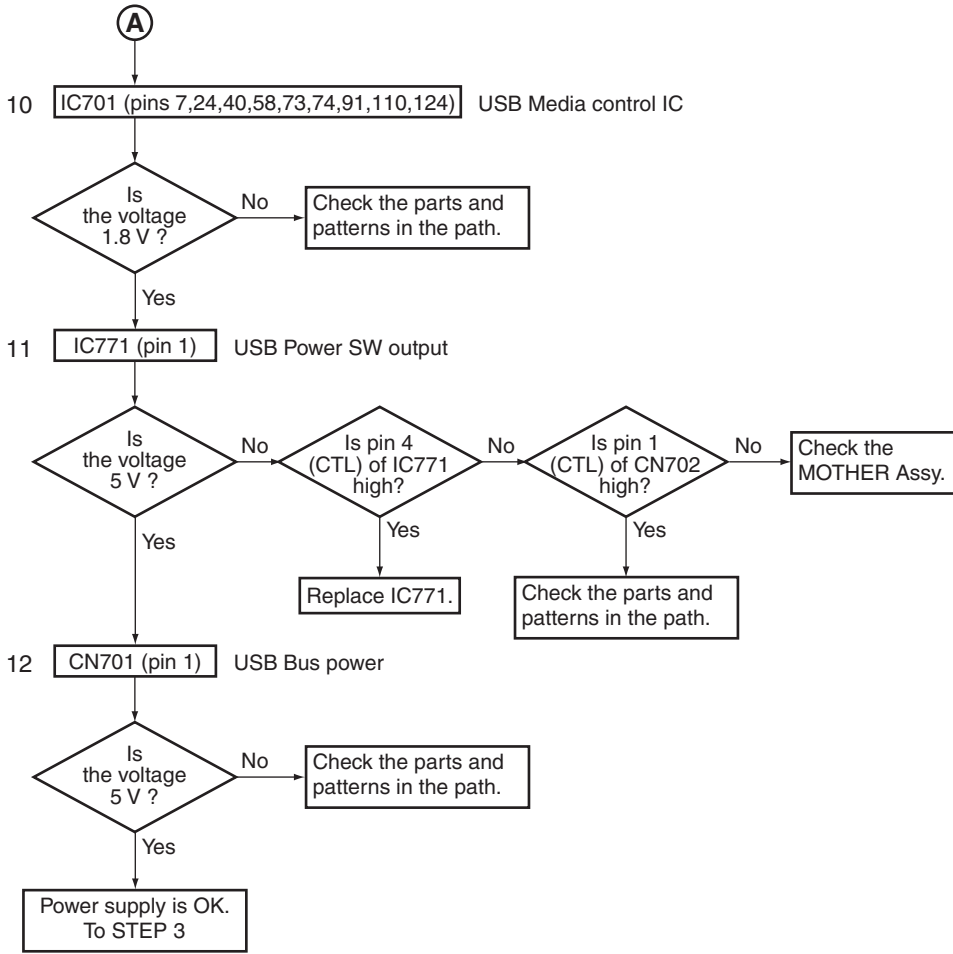
Step 1: Connectors



Step 2: Power supply



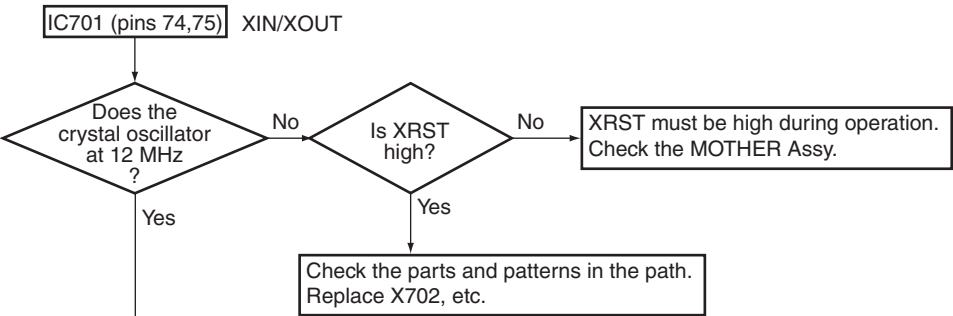
A



Step 3: Operation of USB Media control IC

Note: Please confirm it with the USB memory connected for the content.

D



E

Fig. 1

	IC701		CN702
XRST	pin 77	R951	pin 5
USB-Rx	pin 96	R955	pin 10

Fig. 2

	IC701	IC951 (3 V → 5 V)	CN702
USB-Tx	pin 95	pin 2	pin 4
			pin 11

F

B

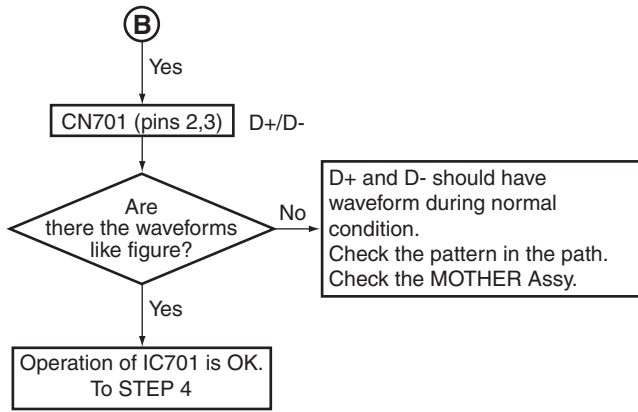
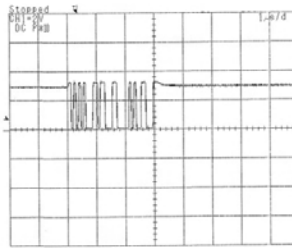
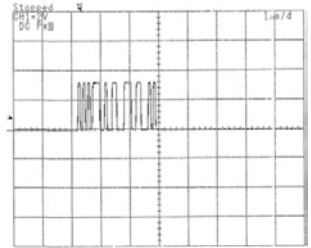


Fig. D+



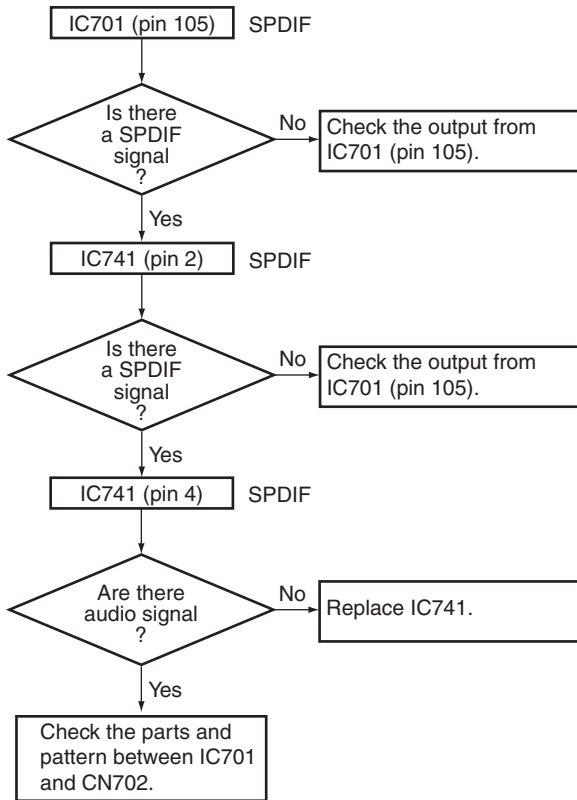
X: 1 μsec/div, Y: 2 V/div

Fig. D-



X: 1 μsec/div, Y: 2 V/div

Step 4: Audio Out check



5.1.5 HOW TO DIAGNOSE THE PRODUCT WITH THE POWER AMP BLOCK REMOVED

The failure in the Power Amp Block is suspected as shown in the table below.

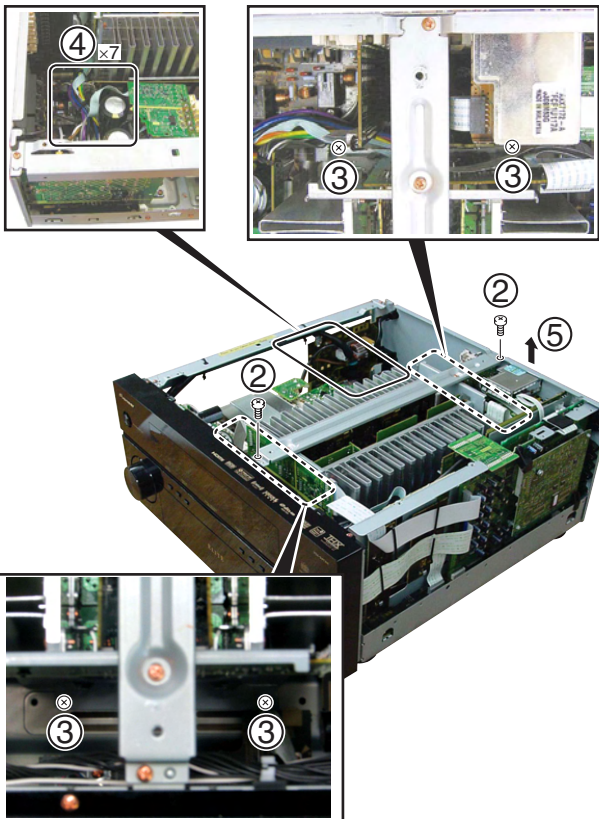
Symptom that is highly suspected to be caused by a failure in the Power Amp Block	Possible cause
① The power cannot be turned on, and the MCACC LED is flashing.	The DC detection circuit is activated in order to prevent extension of the failure.
② The unit is shut down after "AMP ERR" is displayed on the FL display. Then the unit goes into the state described in ① above.	Note: See "5.1.6 Failure Diagnosis of the Power Amp Block."
③ "OVER HEAT" is displayed on the FL display.	The posistors (TH5001 and TH5301) in the Power Amp Block are open. Note: The resistance of the thermistor at normal temperature is about 330 ohms.
④ The unit is shut down without an error message on the FL display. Then the PHASE CONTROL LED flashes.	Power Amp overloaded, defective overload-detection circuit in the Power Amp Block, etc.

Failure diagnosis with the power on is not possible for some board assys, because the large Power Amp Block lies in the way. However, if the Power Amp Block is removed, the thermistor connected to the Power Amp Block is disconnected, which will activate the protection circuits.

To enable failure diagnosis of those board assys, after the Power Amp Block is removed in the manner described below.

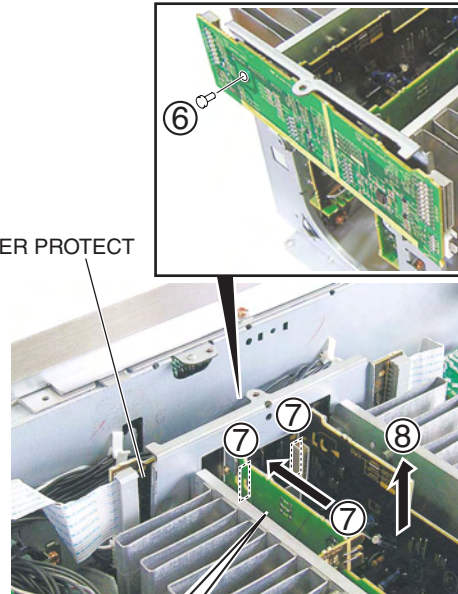
[Procedures]

- ① Remove the bonnet by removing the 22 screws.
- ② Remove the two screws.
- ③ Remove the four screws.
- ④ Disconnect the six connectors and one jumper.
- ⑤ Disconnect the flexible cable.



- ⑥ Remove the nylon rivet.
- ⑦ Remove the POWER PROTECT Assy from the Power Amp Block.
- ⑧ Remove the Power Amp Block.

P POWER PROTECT Assy

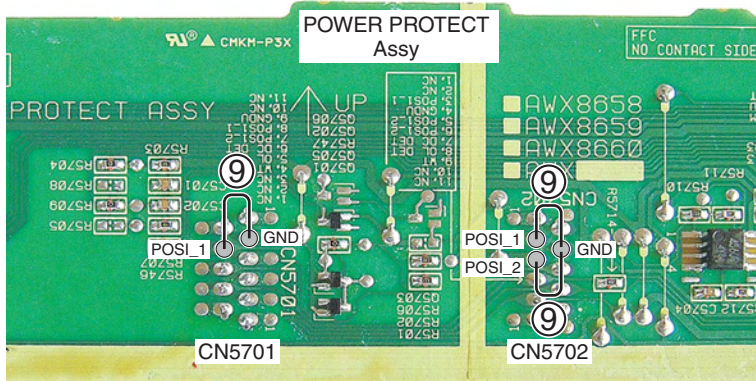


The POWER PROTECT Assy can be easily removed with no load applied to the connectors if you pull out the board by pushing on it at its center from the rear.

Note:

To prevent an electric shock hazard, after removing the Heat Sink Block, discharge the condenser of the \pm VL line, by discharging CN4101 or CN4102 on the SP/PS Assy, using a discharging resistor. (It is recommended to make a resistance of 100 ohms or more in the series-parallel connection, using four or more discharging resistors of 100 ohms, 3 W.)

- ⑨ Short circuit between pin8 (POS1_1) and pin 9 (GND) of CN5701 of the POWER PROTECT Assy, and Pin 3 (POS1_1) and pin 4 (GND), and Pin5 (POS1_2) and pin 4 (GND) of CN5702 .



- ⑩ Turn the power on. (The power is on without the protection circuits activated.)



POWER PROTECT Assy



Diagnose

⚠ Warning: Before putting the Power Amp Block back

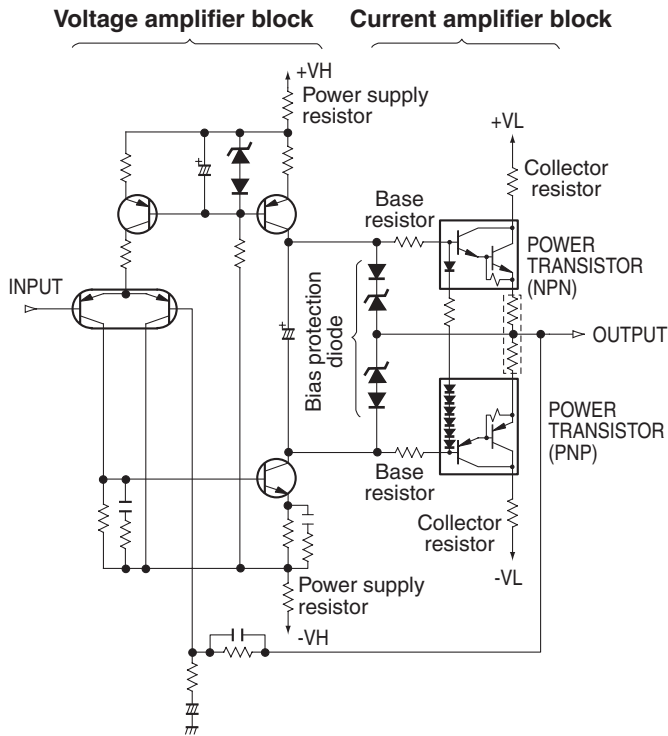
After performing a diagnosis, be sure to remove the solders at short circuit points. Also, be sure to discharge the electric charges of the VH line (charges of the electrolytic condenser) before putting the Power Amp Block back. (See "7. DISASSEMBLY / 1. Before the Power Amp Block is removed.")

Note: If you connect the connectors without discharging, some parts, such as a resistor or Fuse IC on VH line, may be damaged by the inrushing current.

5.1.6 FAILURE DIAGNOSIS OF THE POWER AMP BLOCK

If "AMP ERR" flashes on the FL display immediately after the power is turned on, then the unit is shut down, the power amplifier block is damaged, and DC voltage is output. In this case, either or both of the current and voltage amplifier block(s) is(are) damaged. Herein is described how to diagnose which block is in failure.

Most cases of damage in the power amplifier block are damage on the power transistor caused by excess power consumption, such as short-circuiting of the speaker terminals and use of low-impedance speakers that are not guaranteed. The failure diagnosis is therefore conducted on the current amplifier block first, then on the voltage amplifier block.



Notes:

- During diagnosis of the amplifier block with the power on, if you touch a high-impedance circuit (in particular, both ends of 100-ohm base resistance of the power transistor) with the probe of an oscilloscope or a tester, the circuit may be damaged by oscillation of an oscilloscope or a tester.
- While a failure diagnosis is being conducted with the power on, do NOT touch parts other than the power, input, and output blocks.
- Only the points with CP (check point) marks in the schematic diagram can be diagnosed while the power is on.

Operating temperature of the posistor assembling to the heat sink

No.	Part No.	Operating temperature	Purpose	Operation	
POS1L	TH5001	PTFM04BH222Q2N34B0	60 °C	FAN control (TEMP1)	FAN activation at more than 60 °C
POS1R	TH5301	PTFM04BH222Q2N34B0	60 °C	FAN control (TEMP1)	FAN activation at more than 60 °C
POS2	TH5002	PTFM04BH222Q2N34B0	100 °C	Detection of abnormal temperature	OVERHEAT perform at more than 100 °C

* Operating temperature is body temperature of the posistor (the metal part).

1. Damage on the current amplifier block

Check of the power transistor and collector resistance of each channel, using a tester

Tips:

In most cases where the current amplifier block is damaged by an excess power consumption of the power transistor, damage is caused by short-circuiting between the collector and emitter. The collector resistor is open because of large collector current. In this case, the channel in failure can be identified by checking on which channel the resistance between C and E of the power transistor is 0Ω (some hundreds of ohms or less) and the resistor of collector resistor is $\infty \Omega$. As a damage scar appears on the surface of the part when the collector resistor is open, you can also check it by visual inspection.

Note:

Even if the result of the measurement of resistance with the tester shows that the power transistor is not short-circuited, that power transistor may be damaged if the paired push-pull power transistor has been damaged. Therefore, it is recommended to replace both parts when either needs to be replaced.

2. Damage on the voltage amplifier block

Check of the base resistance (100Ω) and Power supply ($\pm V_H$) resistor (4.7Ω) of each channel, using a tester

Tips:

In most cases, the voltage amplifier block is damaged by oscillation generated by a special load connection, a large-amplitude output at higher frequencies out of the audible range, or an influence of damage on the current amplifier block (power transistors). In many cases, the base resistance (100Ω) is damaged. It is necessary to check each part of the voltage amplifier block, as damage may have been extended to other parts.

In most cases, the resistors are open/damaged, or the transistors or diodes are short-circuited/damaged.

- The resistors must not be open (the resistance must not be higher than the indicated value).
- The terminals of transistors or diodes must not be short-circuited (the resistance must not be extremely low). (If the resistance is low but you are not sure if it is extremely low, compare the value with that of the normal channel.)

If the voltage amplifier block is damaged, Power supply ($\pm V_H$) resistor (4.7Ω) may also be damaged.

3. Other damage

Check of the bias protection diodes

Tips:

If the power amplifier is damaged, the bias protection diodes may be deteriorated or open. For a channel that has been diagnosed to be in failure, the V_f (forward descending voltage) of the four diodes must be checked to confirm that they are not deteriorated or open, using a tester, after repair of the amplifier. If these diodes are deteriorated, its distortion/frequency characteristics may be affected. If these diodes are open, the scale of damage on the power transistors may be extended if any abnormality is generated in the amplifier next time.

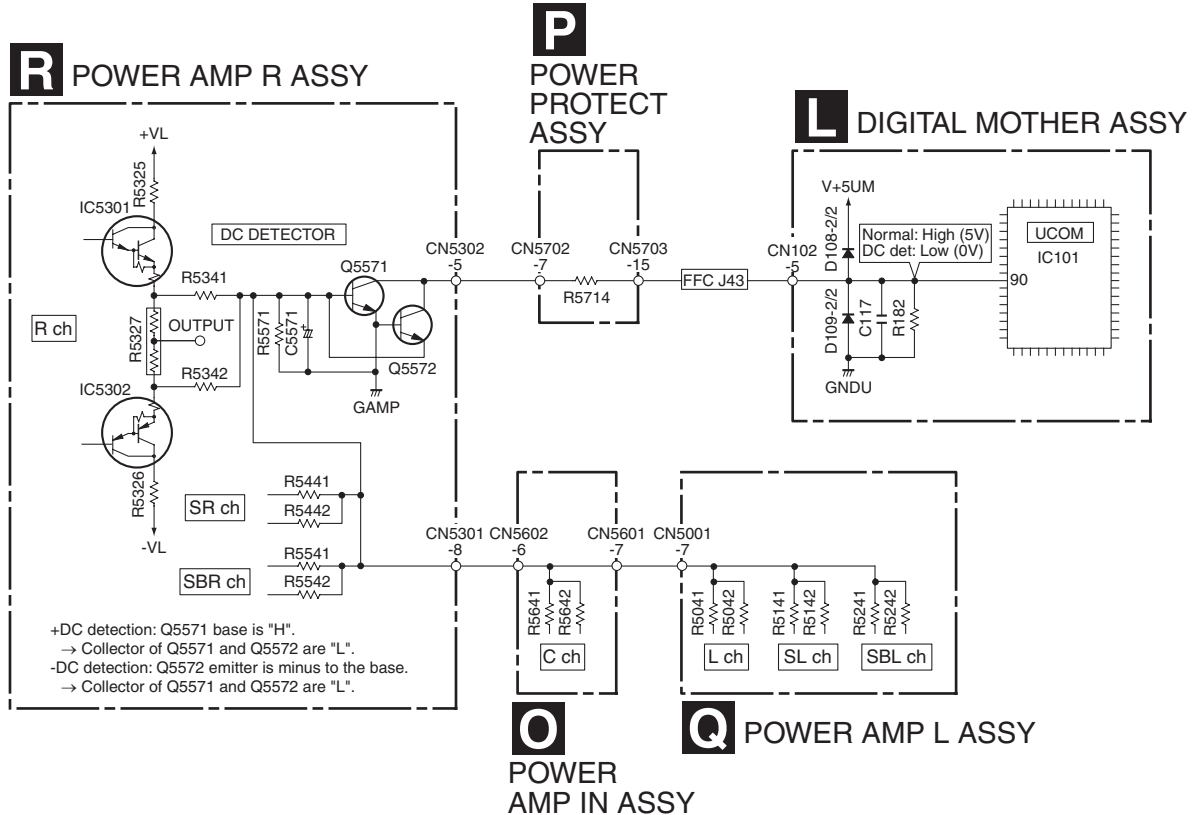
5.2 CIRCUIT DESCRIPTION

5.2.1 PROTECTION CIRCUIT SPECIFICATION

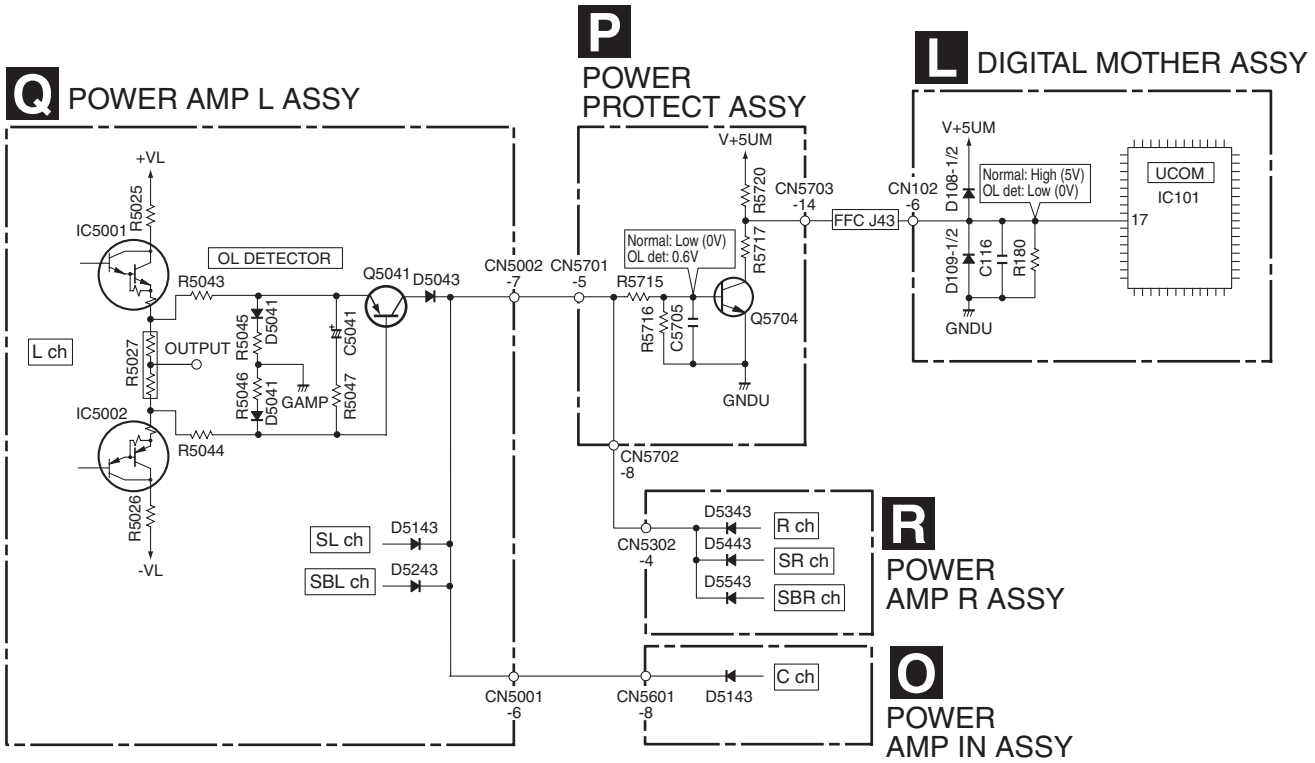
● Protection Circuit Process List

Item	Purpose	Detection Method	Process	Warning Indication	Remarks
DC detection	To detect amplifier damage (defect status) A process to protect speakers (for protection of connected external devices)	Detects when the DC_PROTECT port becomes "L". (Pin 90 of IC101)	Turns muting on and speaker relay off, then turns off the power after 3 seconds. Then flashes MCACC indicator.	Flashing "AMP ERR" for 3 seconds.	Once detected and turned the power off, input a key never again. If the DC_DET port becomes "L" within 3 seconds, the unit returns to normal condition automatically.
AMP overload	To detect overloading (abnormal status) With low-load driving or a short circuit of the speaker terminals (for protection of the amplifier)	Detects when the OL_DET port becomes "L" (checks by interrupt). (Pin 17 of IC101)	Turns muting on and speaker relay off, and immediately turns off the power. Then flashes PHASE CONTROL indicator.	None	
Overheat detection	Self reset type protection feature by temperature-rise of heat sink	Detects when the TEMP2 port becomes "H". (Pin 24 of IC3301)	Turns muting on and speaker relay off, then turns off the power after 3 seconds.	Flashing "OVERHEAT" for 3 seconds.	If the TEMP2 port becomes "L" within 3 seconds, the unit returns to normal condition automatically.
12V trigger failure detection	To detect the shortcircuit of 12V trigger output (load more than 50mA) (for protection of the amplifier)	Detects when the 12VDET port becomes "H". (Pin 69 of IC101)	Turns 12V trigger output to off.	Flashing "12V TRG ERR" for 3 seconds.	Continue showing warning. Release the FL indication by switching the INPUT SEL or the turns the power off.

● DC Detection Circuit



OL (Over Load) Detection Circuit



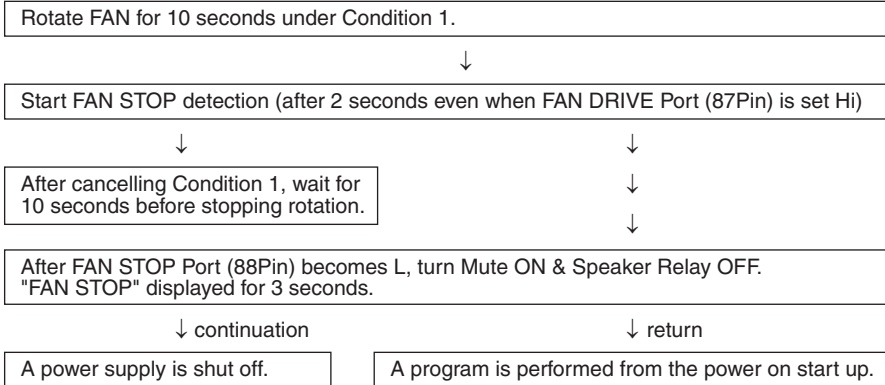
FAN CONTROL

1. Condition of FAN Rotation

Condition 1 (AND condition) MAIN u-com (DIGITAL MOTHER Assy IC101)

	TEMP1 (89Pin)	WATT IN (91Pin)
8Ω MODE	H (5V)	0.6V or higher
6Ω MODE	H (5V)	0.4V or higher

2. FAN STOP Detection



6. SERVICE MODE

6.1 SERVICE MODE

The Service mode has three functional blocks (VERSION block, PROTECT block and DOWNLOAD block).

How to enter the Service mode

1. Turn off MULTI-ZONE. Lower MASTER VOLUME to the minimum (---dB) and turn off the power.
2. After the power-off, press and hold down both the "ENTER" key and the "MULTI-ZONE ON/OFF" key for approximately five seconds.

How to exit the Service mode

Turning off the power or pressing the RETURN key returns to the normal mode.







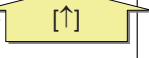


Mode transition methods for each of the VERSION block, PROTECT block and DOWNLOAD block.

*If no key is pressed within 10 seconds, the Service mode returns to the normal mode.

Key operation	FL display
VERSION block 1/4 Display MAIN / EVENT microcomputer. [→] [←]	M 1 . 0 0 0 E 1 . 0 0 0
PROTECT block 1/8 Display number of times DC is detected. [→] [←]	D C : 0 0 0
DOWNLOAD block 1/6 Display MAIN computer DOWNLOAD. [→] [←]	M A I N D L [S T A R T]
Return to VERSION block 1/4.	

VERSION block

This block displays version information of various microcomputers and DSP firmware.
*If no key is pressed within 10 seconds, the Service mode returns to the normal mode.

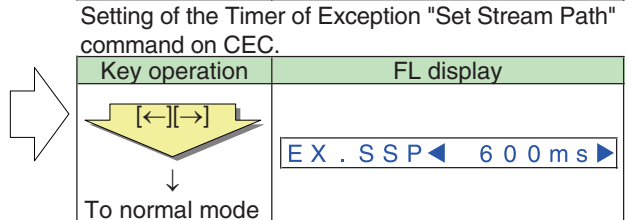
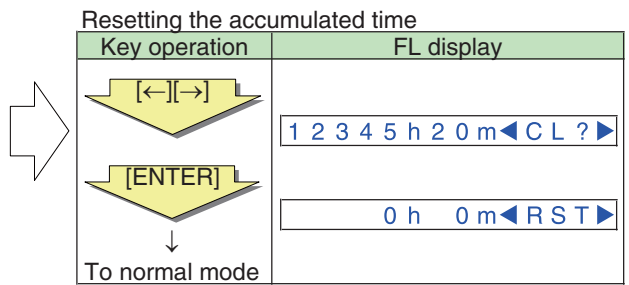
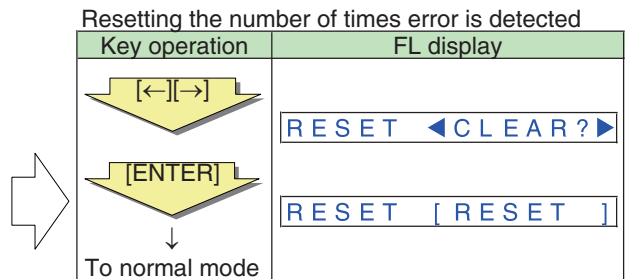
Key operation	FL display	Explanation on displayed versions
Service mode ON 		
VERSION block 1/4 MAIN/EVENT microcomputer  [↓] [↑] 	<div style="border: 1px solid black; padding: 2px; display: inline-block;">M 1 . 0 0 0 E 1 . 0 0 0</div>	M * . *** : MAIN microcomputer E * . *** : EVENT microcomputer
VERSION block 2/4 DISPLAY microcomputer  [↓] [↑] 	<div style="border: 1px solid black; padding: 2px; display: inline-block;">D I S P 1 . 0 0 0</div>	DISP * . *** : DISPLAY microcomputer
VERSION block 3/4 DSP/HDMI microcomputer  [↓] [↑] 	<div style="border: 1px solid black; padding: 2px; display: inline-block;">D 1 . 0 0 0 H 1 . 0 0 0</div>	D * . *** : DSP microcomputer H * . *** : HDMI microcomputer
VERSION block 4/4 1stDSP/2ndDSP firmware  [↓] [↑] 	<div style="border: 1px solid black; padding: 2px; display: inline-block;">f 1 . 0 0 0 s 1 . 0 0 0</div>	f * . *** : 1st DSP firmware s * . *** : 2nd DSP firmware
<div style="border: 1px solid black; padding: 2px; display: inline-block;">To PROTECT block</div>		

PROTECT block

This block displays number of times protection processing is detected.

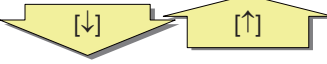





*If no key is pressed within 10 seconds, the Service mode returns to the normal mode.

Key operation	FL display
PROTECT block 1/8 Display number of times DC is detected.	DC : 0 0 0
PROTECT block 2/8 Display number of times OVERLOAD is detected.	OVER : 0 1 0
PROTECT block 3/8 Display number of times COMBINATION is detected. (Detects DC and OVERLOAD simultaneously)	CON : 0 0 2
PROTECT block 4/8 Displays number of times FAN error is detected.	FAN : 0 0 2
PROTECT block 5/8 Display number of times abnormal temperature is detected.	TEMP : 2 5 5
PROTECT block 6/8 Resetting the number of times error is detected	RESET ◀ HOLD ▶
PROTECT block 7/8 Display accumulated time & RESET.	1 2 3 4 5 h 2 0 m ◀ HLD ▶
PROTECT block 8/8 The Timer of Exception "Set Stream Path" command on CEC.	EX . SSP ◀ 1 5 0 0 ms ▶
To DOWNLOAD block	



A DOWNLOAD block

This block enters the rewriting mode of various microcomputers and DSP firmware.

Key operation	FL display
DOWNLOAD block 1/6 MAIN computer DOWNLOAD 	<div style="border: 1px solid black; padding: 2px; display: inline-block;">M A I N D L [S T A R T]</div>
DOWNLOAD block 2/6 EVENT computer DOWNLOAD 	<div style="border: 1px solid black; padding: 2px; display: inline-block;">E V N T D L [S T A R T]</div>
DOWNLOAD block 3/6 DSP computer DOWNLOAD 	<div style="border: 1px solid black; padding: 2px; display: inline-block;">D S P M D L [S T A R T]</div>
DOWNLOAD block 4/6 HDMI computer DOWNLOAD 	<div style="border: 1px solid black; padding: 2px; display: inline-block;">H D M I D L [S T A R T]</div>
DOWNLOAD block 5/6 1stDSP FIRM DOWNLOAD 	<div style="border: 1px solid black; padding: 2px; display: inline-block;">D S P 1 D L [S T A R T]</div>
DOWNLOAD block 6/6 2ndDSP FIRM DOWNLOAD <div style="border: 1px solid black; padding: 2px; display: inline-block; margin-top: 5px;">To VERSION block</div> 	<div style="border: 1px solid black; padding: 2px; display: inline-block;">D S P 2 D L [S T A R T]</div>

E

F

■ Error indications when an abnormality in the amplifier system is detected

[Purpose]

An error message is displayed when an abnormality in the amplifier system is detected.

[Error Messages]

FL Display	Status	Duration (sec.)
AMP ERROR	When AMP DC is detected	Flashes 3 times.
AMP OVERHEAT	When a thermal shutdown (abnormal temperature), etc. is detected	Flashes 3 times.
FAN STOP	When stopping of the fan is detected	Flashes 3 times.
12V TRG ERR	When the 12-V trigger circuit is short-circuited	Flashes
DSP NG	When the NG communication with the DSP u-com is detected.	Flashes
HDMI NG	When the NG communication with the HDMI u-com is detected.	Flashes
HDCP ERROR	When the HDCP ERR is detected.	Flashes 5 seconds.
NOT SUPPORT	When the NOT SUPPORT of HDCP is detected.	Flashes 5 seconds.

[Description]

AMP ERROR : After a failure in the amplifier block or high DC output is detected, the shutdown process starts, then the power will be shut off. Then the MCACC LED will flash. The power cannot be turned on again. If you wish to turn on the unit after a shutdown activated by DC detection, enter DC detection cancellation mode, by proceeding with the steps described in "How to enter release mode" below.

AMP OVERHEAT : The temperature of the amplifier is abnormally high.

FAN STOP : The fan does not function.

12V TRG ERR : The 12-V trigger output is short-circuited.

DSP NG : There is no communication response from the DSP u-com.

HDMI NG : There is no communication response from the HDMI u-com.

HDCP ERR : The monitor is non-HDCP type or the monitor is standby state.

NOT SUPPORT : The output resolution is not correspond to the monitor at analog. →HDMI scaler exist

After a failure is detected, the shutdown process starts, then the power will be off. The power can be turned on again in Normal mode.

[How to enter release mode]

Press and hold "↓ (DOWN)" and "MULTI-ZONE ON/OFF" keys on the front panel simultaneously for 2 seconds in standby mode.

7. DISASSEMBLY

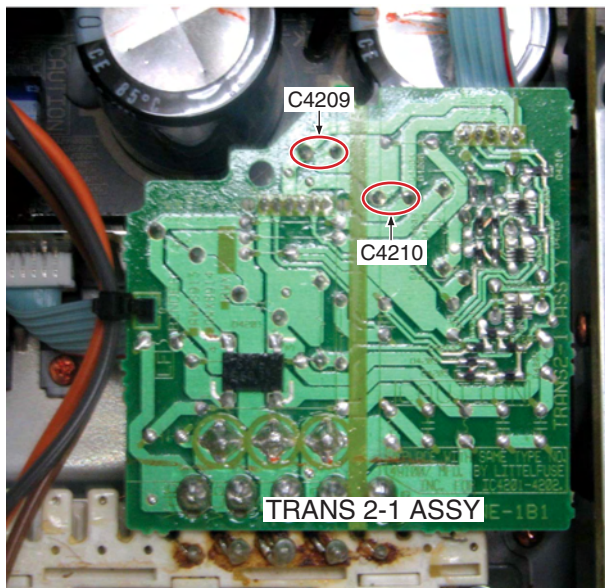
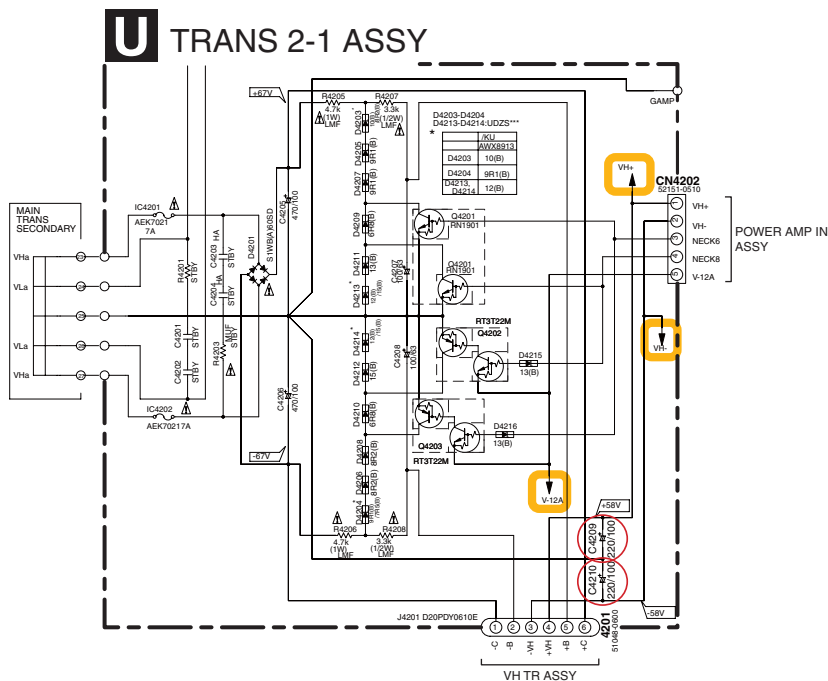
Note : Even if the unit shown in the photos and illustrations in this manual may differ from your product, the procedures described here are common.

1. Before the Power Amp Block is removed

Before the Power Amp Block is removed, discharge C4209 and C4210 on the TRANS 2-1 Assy, as indicated below. If you don't, the IC protectors (IC4261 and IC4262) on the VH TR Assy may be open, and DC voltage may be generated at the power amplifier output, which will result in "AMP ERR."

[Procedure]

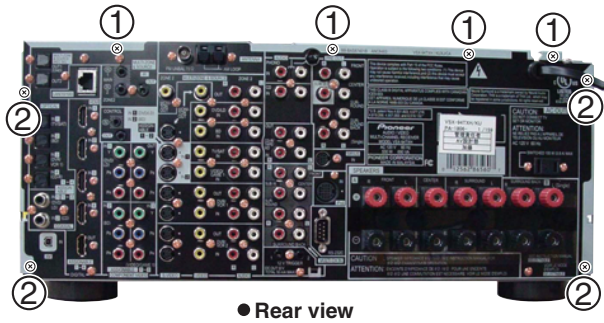
- ① Unplug the AC code.
- ② Discharge C4209 and C4210 on the TRANS 2-1 Assy.
Note: For discharging, use a load of 100Ω, 3W or more, to protect the IC protectors. Do NOT discharge instantly by short-circuiting.
- ③ Check that the voltage between the electrodes of each C4209 and C4210 is 1V or less.
- ④ Mount the Power Amp Block.



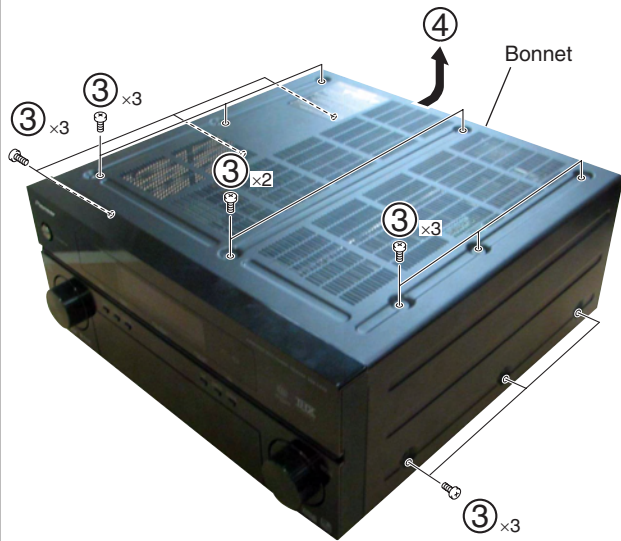
2. Disassembly

1 Bonnet

- ① Remove the four screws.
- ② Remove the four screws.



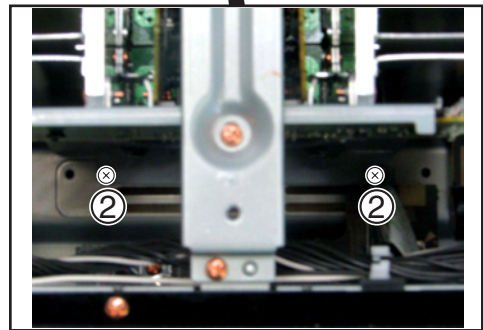
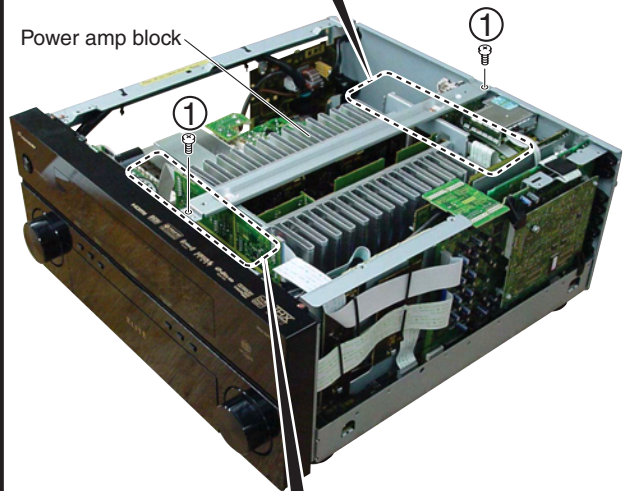
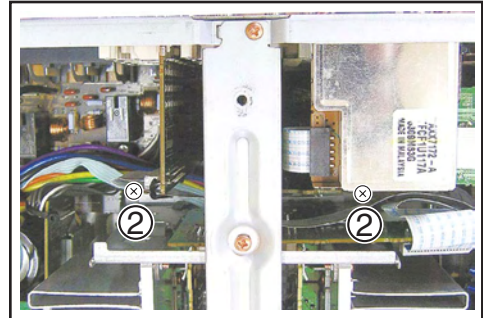
- ③ Remove the fourteen screws.
- ④ Remove the bonnet.



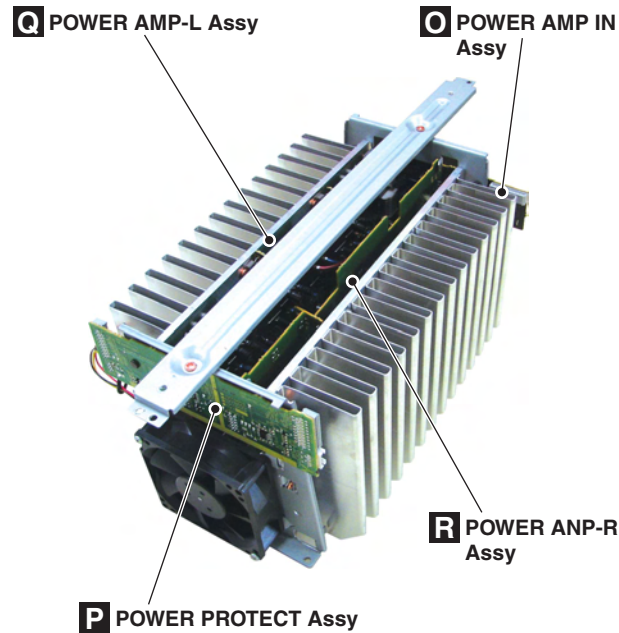
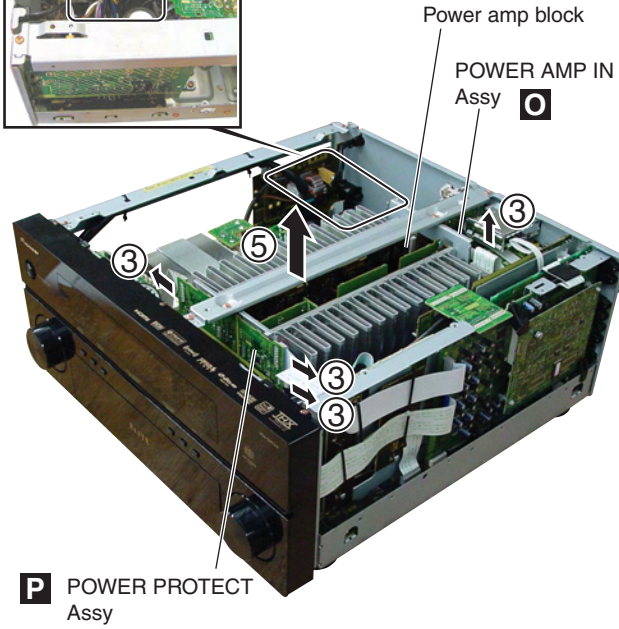
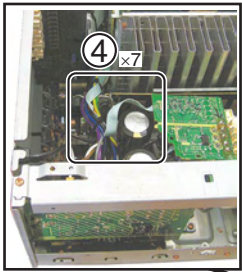
2 Power Amp Block

Before removing the power AMP Block, discharge C4209 and C4210 on TRANS 2-1 Assy. Refer to "1. Before the Power AMP Block is removed".

- ① Remove the two screws.
- ② Remove the four screws.



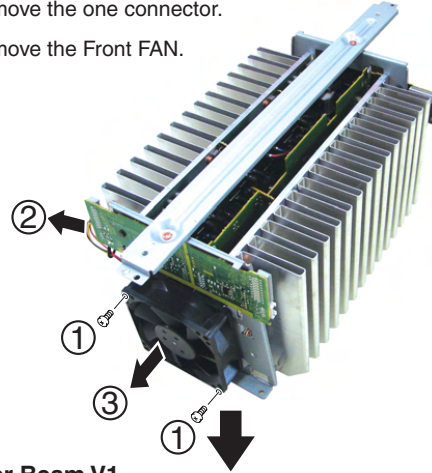
- ③ Disconnect the three flexible cables and one connector.
- ④ Disconnect the six connectors and one jumper.
- ⑤ Remove the power amp block.



3 Replacing the Power Transistor

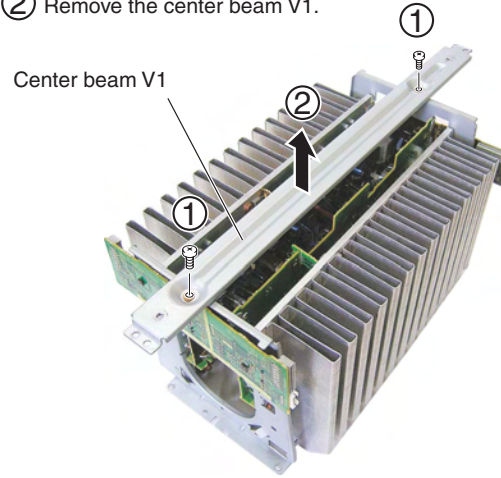
• Front FAN

- ① Remove the two screws.
- ② Remove the one connector.
- ③ Remove the Front FAN.



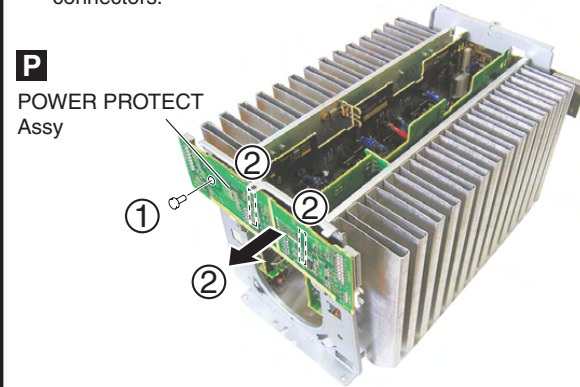
• Center Beam V1

- ① Remove the two screws.
- ② Remove the center beam V1.



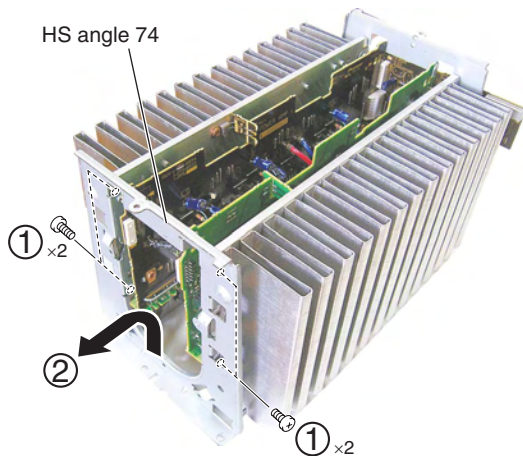
• POWER PROTECT Assy

- ① Remove the one nylon rivet.
- ② Remove the POWER PROTECT Assy by removing the two connectors.



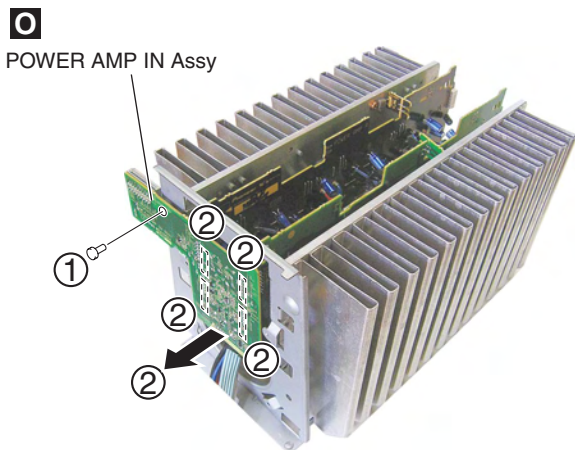
• HS Angle 74

- ① Remove the four screws.
- ② Remove the HS angle 74.



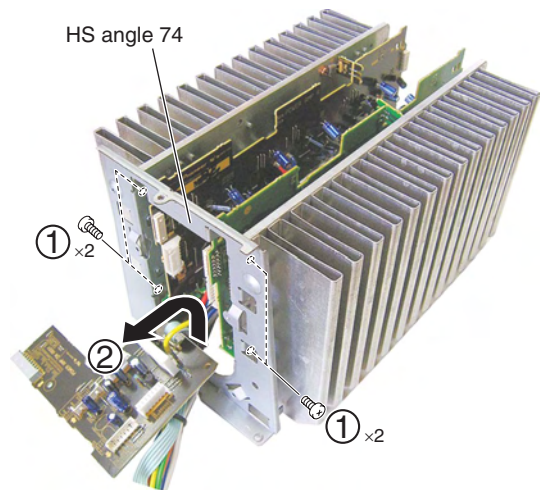
• POWER AMP IN Assy

- ① Remove the one nylon rivet.
- ② Remove the POWER AMP IN Assy by removing the four connectors.



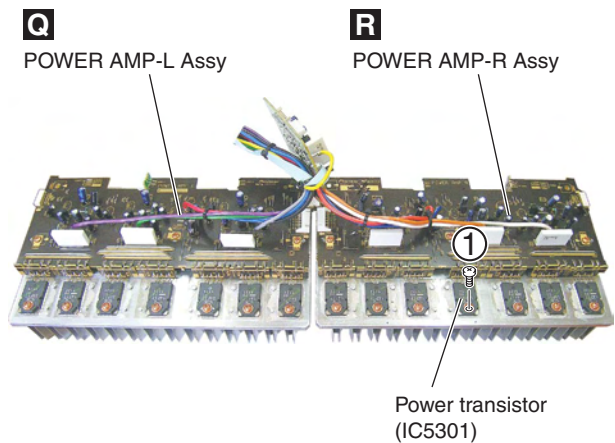
• HS Angle 74

- ① Remove the four screws.
- ② Remove the HS angle 74.



• Replacing the Power Transistor

- ① Remove the screw.



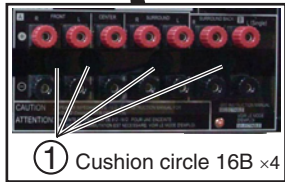
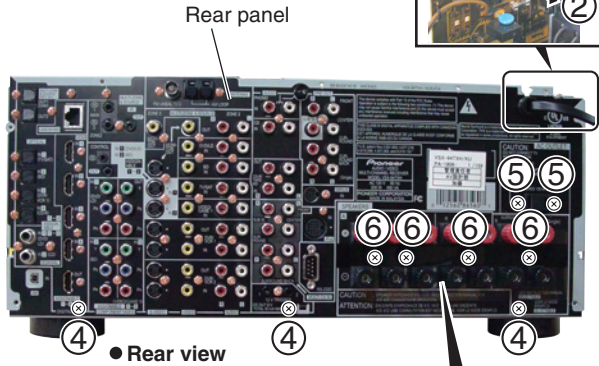
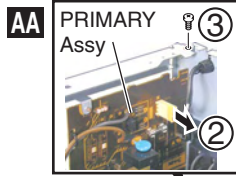
Replace

A
B
C
D
E
F

4 Replacing the HDMI & DLNA ASSY

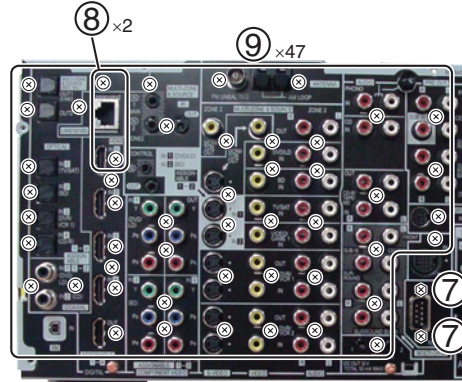
• Rear Panel

- ① Remove the four cushion circle 16Bs.
- ② Disconnect the one connector.
- ③ Remove the screw.
- ④ Remove the three screws.
- ⑤ Remove the two screws.
- ⑥ Remove the four screws.



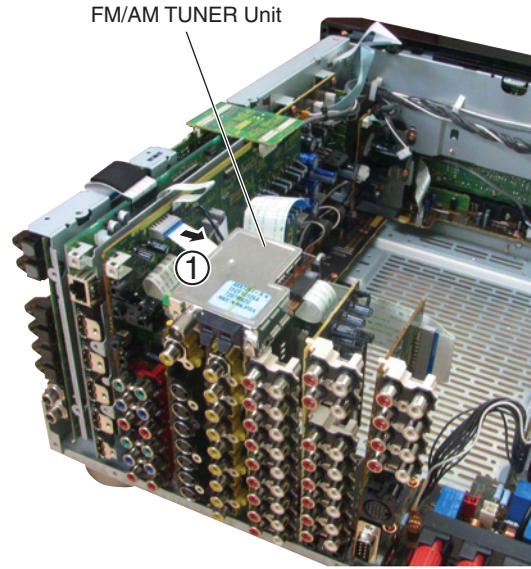
- ⑦ Remove the two screws.
- ⑧ Remove the two screws. (VSX-LX70 only)
- ⑨ Remove the 47 screws.
- ⑩ Remove the rear panel.

(VSX-LX70 only)



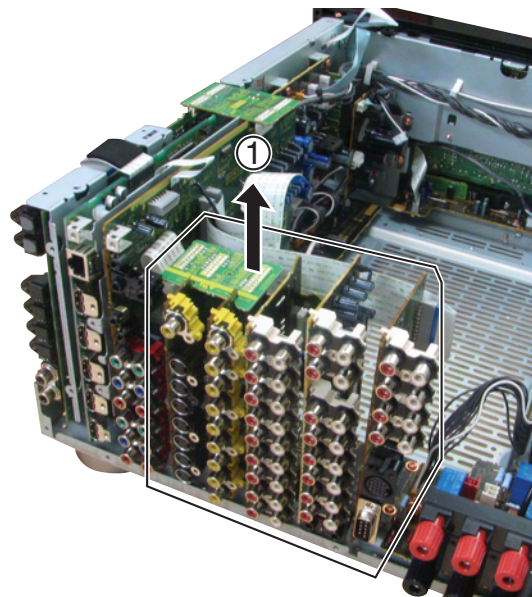
• FM/AM TUNER Unit

- ① Remove the FM/AM TUNER Unit by removing the one flexible cable.



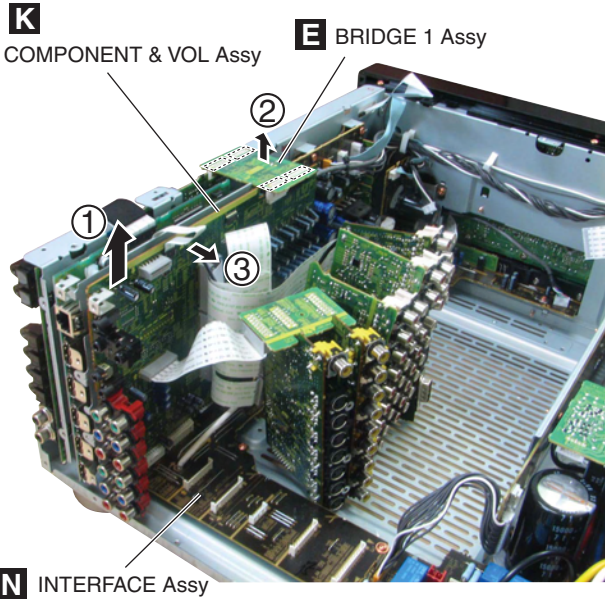
• PCB Assys

- ① Remove the PREOUT & CONTROL, AUDIO & MULTI CH IN, V-AUDIO, COMPOSITE V, S VIDEO, BRIDGE 2 and BRIDGE 3 Assys from the INTERFACE Assy.



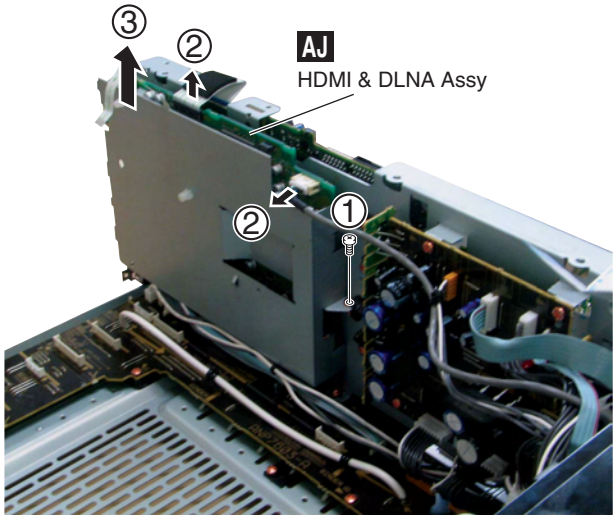
• COMPONENT & VOL Assy

- ① Remove the COMPONENT & VOL Assy from the INTERFACE Assy.
- ② Remove the BRIDGE 1 Assy by removing the four connectors.
- ③ Disconnect the flexible cable.



• HDMI & DLNA Assy

- ① Remove the screw.
- ② Disconnect the flexible cables and connector.
- ③ Remove the HDMI & DLNA Assy from the INTERFACE Assy.

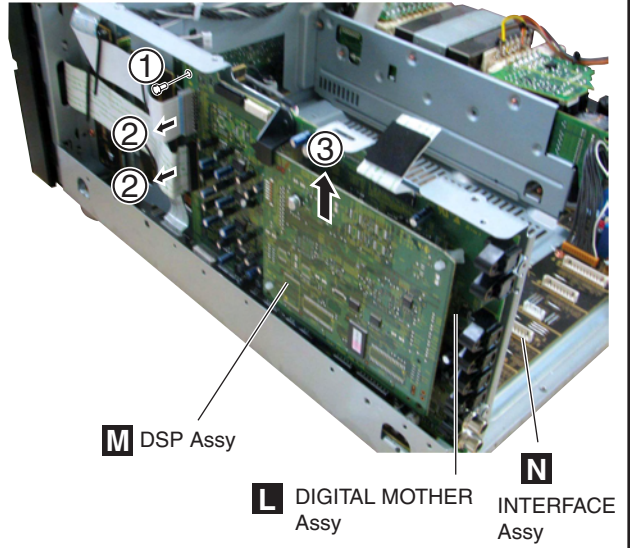


Replace

5 Replacing the INTERFACE ASSY

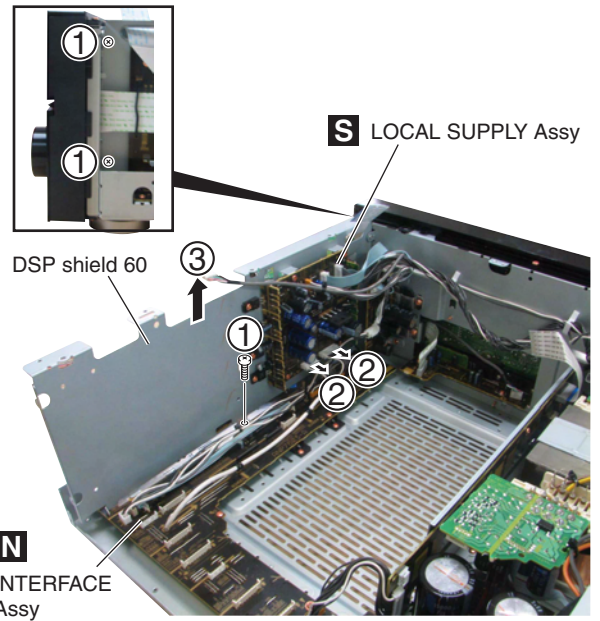
• DIGITAL MOTHER Assy

- ① Remove the nylon rivet.
- ② Disconnect the two flexible cables.
- ③ Remove the DIGITAL MOTHER Assy with DSP Assy from the INTERFACE Assy.



• DSP Shield 60

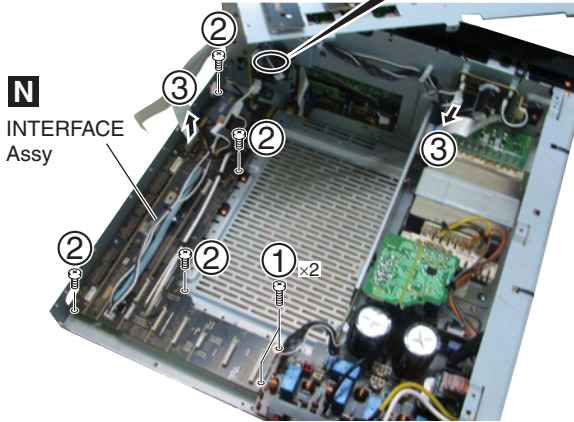
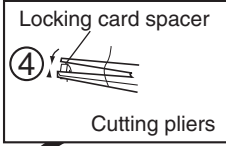
- ① Remove the three screws.
- ② Disconnect the two connectors.
- ③ Remove the DSP shield 60.



A
B
C
D
E
F

• **INTERFACE Assy**

- ① Remove the two screws.
- ② Remove the four screws.
- ③ Disconnect the flexible cable and connector.
- ④ Release the locking card spacer.



- ④ Remove the INTERFACE Assy.



Replace

8. EACH SETTING AND ADJUSTMENT

8.1 ADJUSTMENT

- There is no information to be shown in this chapter.

8.2 HOW TO UPDATE THE DSP FLASH ROM BY PLAYING BACK A CD

[Purpose]

By referring to this section, rewrite the DSP1 and DSP2 Flash ROM when required. Rewriting is instructed through service information, etc. By playing back a CD-R on which a DSP program is recorded, using a normal CD player, rewriting is possible.

[Tools to be used]

Please use DVD player based on MTK system (DV-270, 370, 373, 575K, 280, 380, 383, etc.) ,Mitsubishi system (DV-59AVi, 868AVi, S969AVi, 668AVi, etc.) or Fujitsu system (DV-343, 444, 545, etc.) DO NOT use DVD player based on ST system (DV-353, 454, 250, 400, 555K, 260, 363, 464, 466, 563, etc.) The factory confirmed that DVD players based on ST system cannot send the correct data to the VSX unit using the update disc.

You can check the base system of our DVD players on the firmware version list at PSN web (Niis)

- Coaxial cable or Optical cable
- Update disc(CD-R disc)
- Headphone

[Connections]

Connect this unit and a player, as shown in the figure below.



[Preparations]

Burn the DSP flash ROM firmware (.wav file) to a CD-R disc using commercially available burning software. It is necessary to select the writing format to "For music player", not "For PC data".

Note:

Depending on a burning software, data on a CD-R may not be worked for updating the DSP flash ROM.

If the HDMI indicator does not flash when playing back a update disc, the disc is not able to use for updating.

Burn the DSP flash ROM firmware to a CD-R disc, using other burning software.

[Note]

- **Do NOT disconnect the AC cords of this unit nor the CD/DVD player while rewriting is in progress.**
- **The "OK" indication displayed after updating means the checksum on the flash ROM is OK.**
If the "OK" indication is not displayed, updating has not been completed.

Note that confirmation with audio check or version check is insufficient for checking if updating has been completed.

If you set the unit to STANDBY OFF without confirming of "OK" indication on the FL display, be sure to perform the updating procedures again.

[Procedures]

1. Check the versions of the DSP and microcomputer.
Check the versions by referring to "Version indication" in "6.1 SERVICE MODE (P.75)".
2. Connect a CD or DVD player.
 - (1) Connect the CD or DVD player to be used for updating to any digital input connector of this unit.
 - (2) With the INPUT SELECTOR, select the input being used.
3. Check if the digital signal is locked (received).
 - (1) Play back a stream for updating with the player.
 - (2) Set the receiver to normal setting, "Signal Select" to Auto, then check on the Signal Select indicator whether the input is set to Auto and Digital.

[Procedures]

4. Start up this unit in writing mode.

- (1) Relocate the CD playback starting point to the beginning (time: 0:00) of the track No and pause playback.
- (2) Set the volume of the receiver to $-\infty$ dB and set the receiver to STANDBY OFF.
- (3) Press the ENTER key and Multi-Zone & Source/REC SEL ON/OFF key simultaneously for 3 seconds.
- (4) Press "↑" key until it enters the predetermined mode.

When DSP1 is downloaded:

Display: DSP1 DL [START] → Press the Enter key. → Display: DSP1 DL [GO ON]

When DSP2 is downloaded:

Display: DSP2 DL [START] → Press the Enter key. → Display: DSP2 DL [GO ON]

5. Play back the track on CD disc.

- (1) Release Pause mode of the player and play back the track where the DSP program stream signal to be burned is stored.
- (2) After 5-10 seconds, the HDMI indicator starts flashing. Be sure to check that it is flashing.
- (3) Flashing indicates that a correct stream is being received and that updating is in progress.

Note: Do NOT turn off the unit while the HDMI indicator is flashing. If the unit is turned off, be sure to go back to Step 4. (As the Flash ROM goes into unusual status if the power is off during rewriting, the unit may not start properly.) Even in such a case, you can restore the unit by performing Steps 4 to 7.

6. Wait until rewriting is completed.

- (1) Basically, wait until "OK" is displayed on the FL display. It takes about 2 minutes for updating DSP1 and about 15 seconds for updating DSP2.
- (2) After confirming that "OK" is displayed, stop or pause the player then after 5 seconds set the player to STANDBY OFF.

7. Check the version of the program after updating.

- (1) Check the version by simultaneously pressing and holding the ENTER key and Multi-Zone & Source/REC SEL ON/OFF keys.
- (2) Press "↓" key to check the predetermined version.
 - DSP1 version: f.....
 - DSP2 version: s.....
- (3) For confirmation, check basic operations.

■ Troubleshooting of DSP FLASH ROM UPDATE

Symptoms	Items to be checked
The HDMI indicator does not start flashing, and 10 seconds or more has elapsed after a updating stream is input.	Is DSP writing mode entered? (Simultaneously press and hold the ENTER and VIDEO Multi-Zone & Source/REC SEL ON/OFF keys.)
	Is DIR locked? → You can check this on the Signal Select indicator if the input is set to Auto and Digital. If DIR is not locked, check the input function and digital connections between the player and this unit.
	Is the stream (Track No., etc.) being played back correct?
	Are compressed audio signals, such as WMA, being input when or after writing mode is entered ? → As soon as the compressed audio signals are input, writing mode is exited. It is recommended that playback be paused at the beginning of the track of a updating stream then writing mode is entered by simultaneous pressing of the keys. Release Pause mode after entering of writing mode is confirmed.
Writing mode is not entered upon simultaneous pressing of the ENTER and Multi-Zone & Source/REC SEL ON/OFF keys.	Is the volume control of the receiver set to $-\infty$ dB? If not, set it to $-\infty$ dB (- -).
	Reset the receiver then enter writing mode. Note: All the user data stored in the receiver are cleared when the receiver is reset.
"OK" is not displayed.	Is the track played back from the beginning to the end? → With the receiver in writing mode, be sure to play back the stream track twice.
	If an error is generated because any scratches on the disc, "OK" is not displayed. → In such a case, play back the same stream stored on another track as backup.

8.3 HOW TO UPDATE THE FLASH ROMS FOR VARIOUS MICROCOMPUTERS

HDMI, MAIN, DSP and EVENT microcomputer

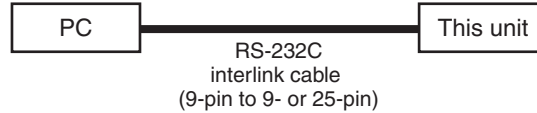
[Purpose]

Refer to this section when updating of a Flash ROM is required by the service information, etc.

[Tools to be used]

- PC with a serial port
- RS-232C cable (9-pin to 9- or 25-pin, interlink)
- Firmware ("mot" extension)
- Program for updating (ufu.exe: ver. 1.08)

[Connections] (MAIN microcomputer)
 (DSP microcomputer)
 (EVENT microcomputer)
 (HDMI microcomputer)



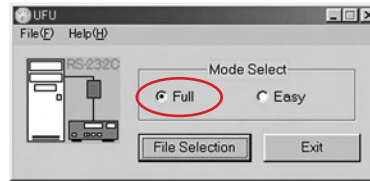
Connect as indicated in the figure right:

[Note]

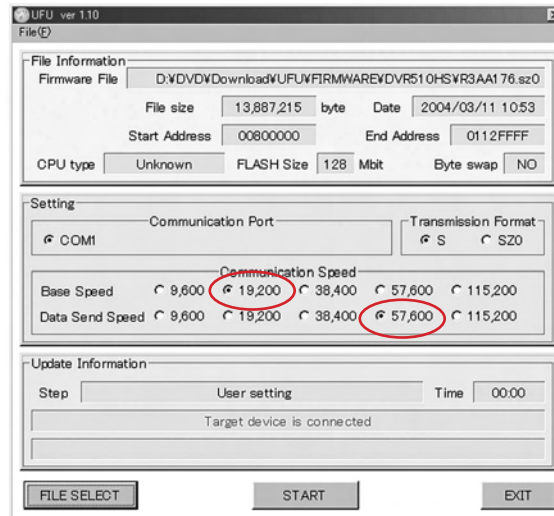
Do NOT disconnect the AC power cords of this unit nor the PC.

[Procedures]

1. Turn off the power to this unit by setting the main volume level to "---dB" and Multi-Zone to "OFF".
2. Connect the 232C interlink cable and the PC, as indicated in "Connections".
3. Simultaneously press and hold the ENTER and MULTI-ZONE ON/OFF keys for about 5 seconds.
4. Turn the power ON at Service mode.
5. (HDMI microcomputer)
 Press ↓ key and select "HDMI DL [START]" display.
 Press ENTER key and set to "HDMI DL [GO ON]".
6. (MAIN microcomputer)
 Press ↓ key and select "MAIN DL [START]" display.
 Press ENTER key and set to "MAIN DL [GO ON]".
7. (DSP microcomputer)
 Press ↓ key and select "DSPM DL [START]" display.
 Press ENTER key and set to "DSPM DL [GO ON]".
8. (EVENT microcomputer)
 Press ↓ key and select "EVNT DL [START]" display.
 Press ENTER key and set to "EVNT DL [GO ON]".
9. Double-click on "ufu.exe".
10. Check that "Full" is selected in MODE SELECT.
11. Select the firm ware file with "mot" extension.
12. Select the communication speed.
13. Click on "START" button.
14. "Completed" is displayed in the "ufu.exe" window.



Check that "Full" is selected in MODE SELECT.



Select the communication speed.

- Basic speed: 19200
- Data transfer speed: 57600

■ USB (VSX-LX60)

[Purpose]

Refer to this section when updating the USB firmware is required by the service information, etc.
It is able to update the USB firmware by using USB flash memory.

[Necessary Tools]

- USB Flash Memory which is saved the firmware file ("player.rom" file).

Note:

In rare cases, it is not able to update the firmware depending on the type of USB flash memory.
In such a case, try to use other model of USB flash memory.


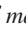
[Procedures]

1. Turn on the unit then press and hold "↑" and "POWER" key for about 5sec.
2. "WAITING" is appeared on the FL display.
3. "CORE*.***" is appeared on the FL display. (*.** : F/W version No.)
4. Connect the USB flash memory which is saved the firmware file ("player.rom" file).
5. "UPDT" is displayed on the FL display.
6. Wait until "COMPLETE" is appeared on the FL display.
7. Disconnect the USB flash memory then set the function setting to anything other than USB.
8. Turn off the unit (Standby mode).

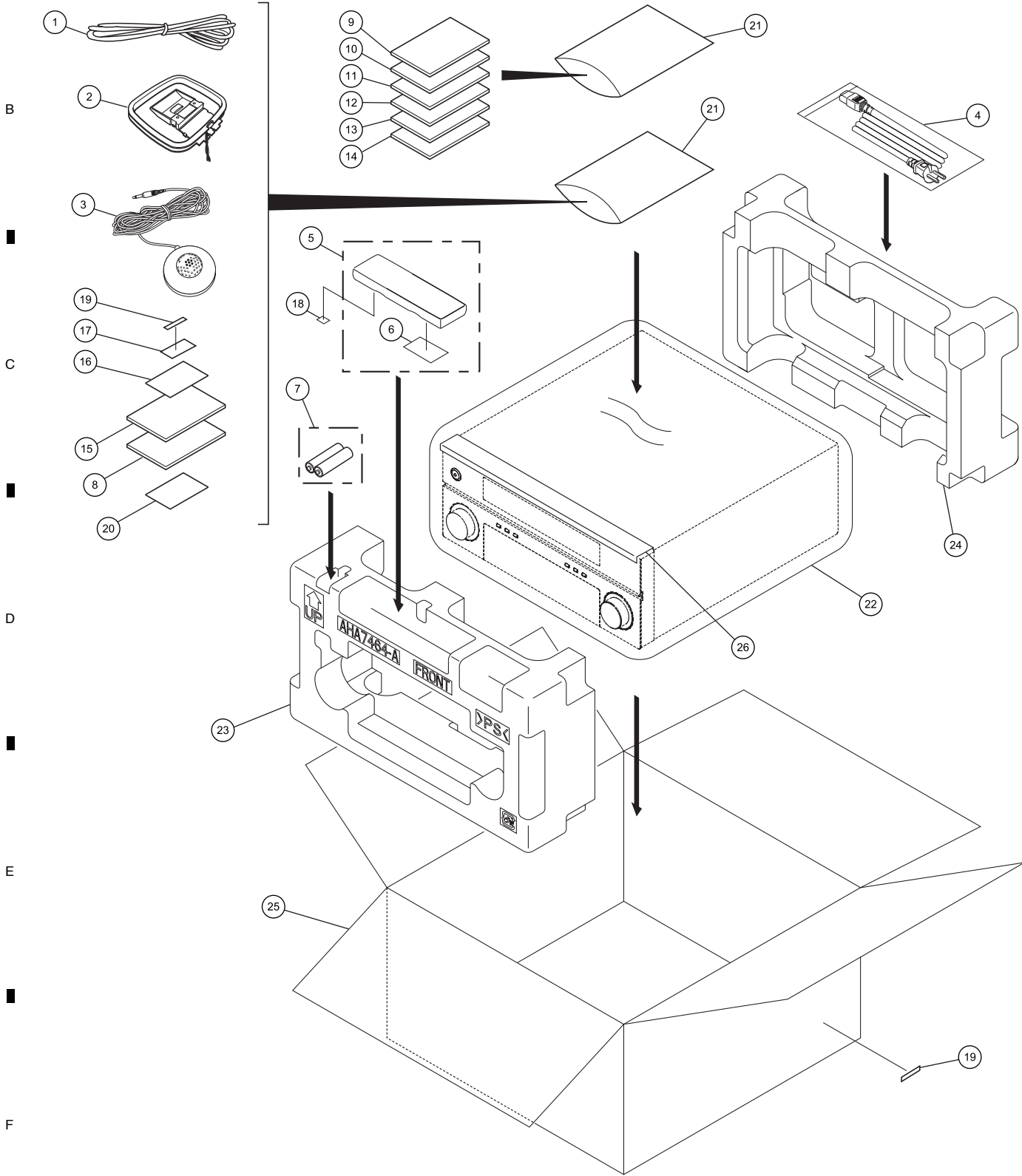
Notes:

- Do NOT reconnect the USB flash memory which is saved the "player.rom" file.
- Do NOT change the function setting or turn off the power during step 4 through 6.
If you do, the updating is failed and it is required to replace the USB flash ROM on the USB module.

9. EXPLODED VIEWS AND PARTS LIST

- NOTES:
- Parts marked by "NSP" are generally unavailable because they are not in our Master Spare Parts List.
 - The  mark found on some component parts indicates the importance of the safety factor of the part. Therefore, when replacing, be sure to use parts of identical designation.
 - Screws adjacent to  mark on product are used for disassembly.
 - For the applying amount of lubricants or glue, follow the instructions in this manual. (In the case of no amount instructions, apply as you think it appropriate.)

9.1 PACKING



(1) PACKING SECTION PARTS LIST

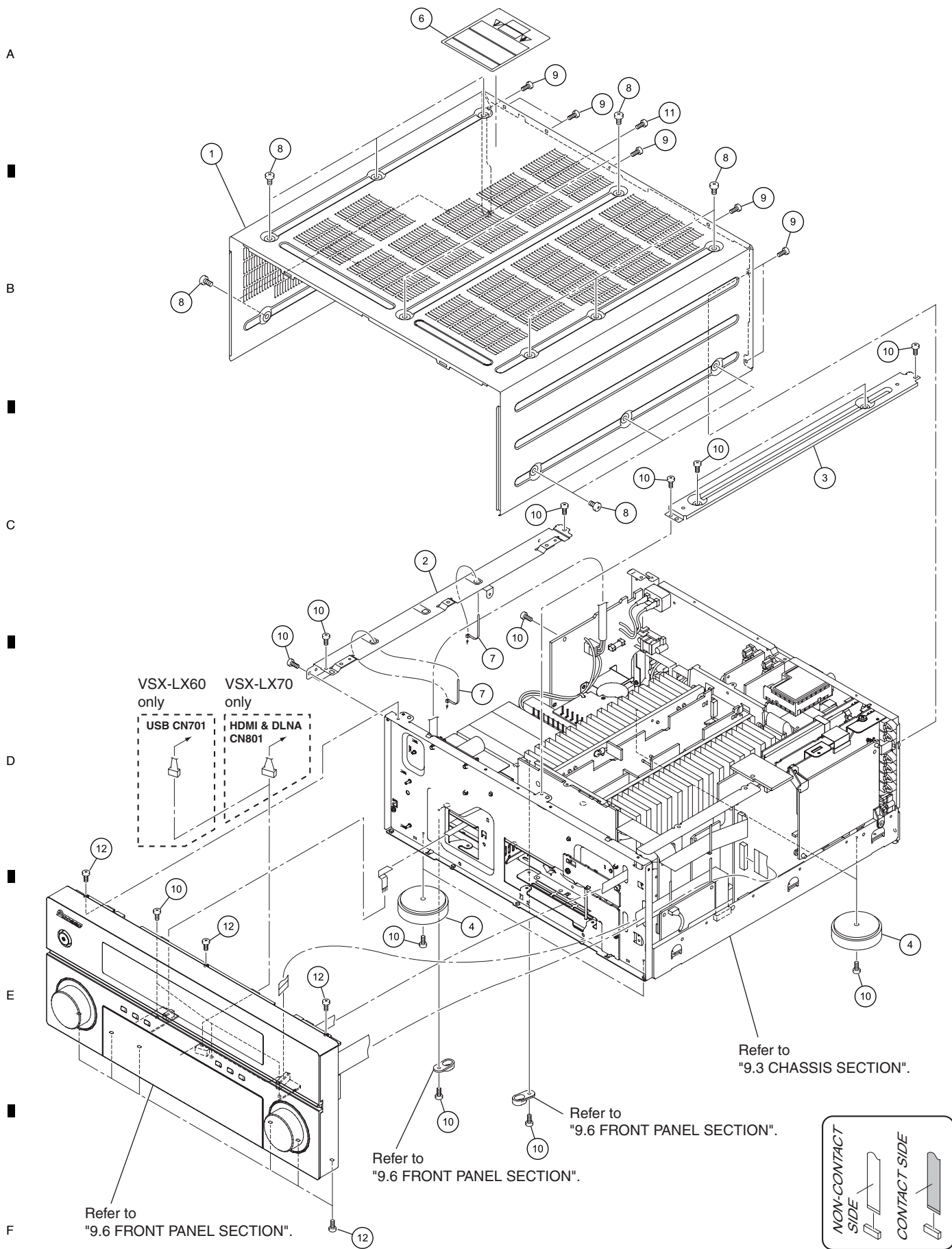
<u>Mark No.</u>	<u>Description</u>	<u>Part No.</u>	<u>Mark No.</u>	<u>Description</u>	<u>Part No.</u>
1	FM Wire Antenna	ADH7030	15	Operating Instructions (7L)	See Contrast table (2)
2	AM Loop Antenna	ATB7013	16	Caution Sheet (SP, E)	ARM7056
3	Setup Microphone (for Auto MCACC setup)	APM7008	NSP 17	Warranty Card	ARY7065
⚠ 4	AC Power Cord	ADG7062	18	Label (WEEE)	ARW7322
5	Remote Control Unit	See Contrast table (2)	NSP 19	Label	VRW1629
6	Battery Cover	XZN3140	20	Disclaimer (6L)	XRM3010
NSP 7	AA/IEC R6P Dry Cell Batteries	VEM1031	NSP 21	Polyethylene Bag	AHG7117
8	Operating Instructions (English)	ARB7381	22	Packing Sheet	RHC1023
9	Operating Instructions (French)	ARC7749	23	Front Pad LX50	AHA7464
10	Operating Instructions (German)	ARC7750	24	Rear Pad LX50	AHA7465
11	Operating Instructions (Italian)	ARC7751	25	Packing Case	See Contrast table (2)
12	Operating Instructions (Spanish)	ARC7752	NSP 26	Spacer LX60	AHC7043
13	Operating Instructions (Dutch)	ARC7753			
14	Operating Instructions (Russian)	ARC7769			

(2) CONTRAST TABLE

VSX-LX70/HYXJ5 and VSX-LX60/HYXJ5 are constructed the same except for the following:

Mark	No.	Symbol and Description	VSX-LX70/ HYXJ5	VSX-LX60/ HYXJ5
	5	Remote Control Unit	AXD7505	AXD7502
	15	Operating Instructions (7L)	ARE7633	Not used
	25	Packing Case	AHD8550	AHD8549

9.2 EXTERIOR SECTION



5 6 7 8

(1) EXTERIOR SECTION PARTS LIST

<u>Mark No.</u>	<u>Description</u>	<u>Part No.</u>
1	Bonnet 60	AZN8028
2	Left Beam 45	ANG7401
3	Center Beam V1	ANG7482
4	Insulator Assembly	DXA1904
5	•••••	
6	Label (LICENSE HD)	ARW7359
7	Binder (BK-1)	ZCA-BK1
8	Screw	BCZ40P060FTB
9	Screw	BBZ30P060FCC
10	Screw	BBZ30P080FCC
11	Screw	IBP30P090FCC
12	Screw	BBT30P080FCC

A

B

C

D

E

F

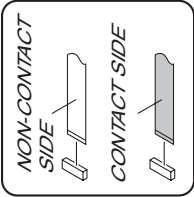
9.3 CHASSIS SECTION

1

2

3

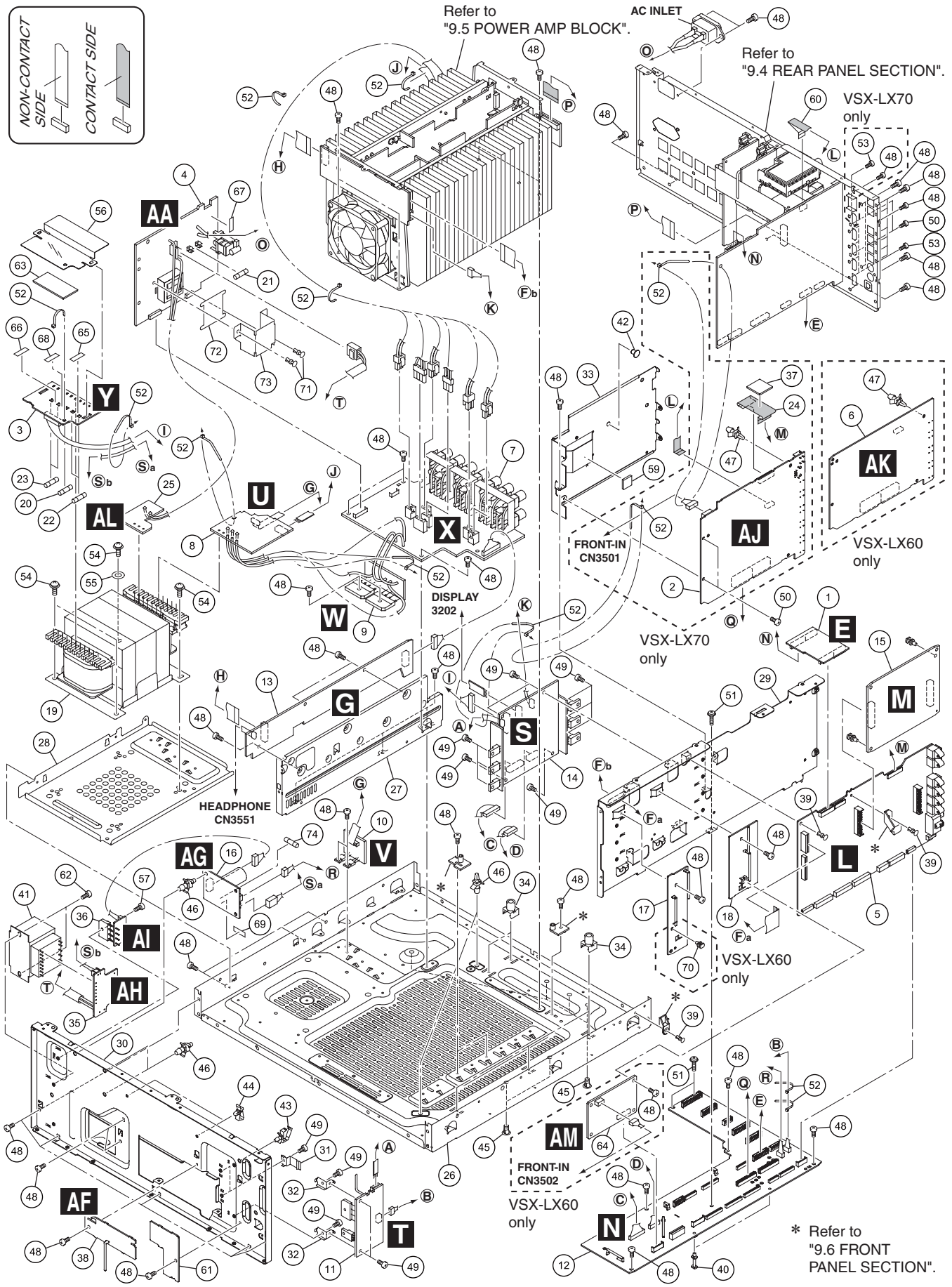
4



Refer to "9.5 POWER AMP BLOCK".

Refer to "9.4 REAR PANEL SECTION".

A
B
C
D
E
F



* Refer to "9.6 FRONT PANEL SECTION".

1

2

3

4

(1) CHASSIS SECTION PARTS LIST

<u>Mark No.</u>	<u>Description</u>	<u>Part No.</u>	<u>Mark No.</u>	<u>Description</u>	<u>Part No.</u>
NSP 1	BRIDGE 1 Assy	AWX8934	NSP 38	FR IN BARRIER1 Assy	AWX8948
2	HDMI & DLNA Assy	See Contrast table (2)	39	Nylon Rivet	AEC7408
3	TRANS 2-2 Assy	AWX8891	40	Card Spacer	AEC7502
4	PRIMARY Assy	AWX8895			
5	DIGITAL MOTHER Assy	See Contrast table (2)	⚠ 41	Power Transformer (T1502)	ATT7104
			NSP 42	PCB Spacer	AEC1084
6	HDMI & DVC Assy	See Contrast table (2)	43	Locking Wire Saddle	AEC7550
7	SP/PS Assy	See Contrast table (2)	44	Side Clamp	DEC2007
8	TRANS 2-1 Assy	AWX8914	45	Card Spacer	DNK2769
NSP 9	DIODE Assy	AWX8915			
10	VH TR Assy	AWX8916	46	Locking Card Spacer	PNW2917
			NSP 47	PC Support	VEC1749
11	DC/DC Assy	See Contrast table (2)	48	Screw	BBZ30P080FCC
12	INTERFACE Assy	See Contrast table (2)	49	Screw	BBZ30P060FCC
NSP 13	TRANS SIDE Assy	AWX8921	50	Screw	BBZ26P080FCC
14	LOCAL SUPPLY Assy	AWX8924			
15	DSP Assy	AWX8869	51	Screw 3 x 15	ABA7100
			NSP 52	Binder (BK-1)	ZCA-BK1
NSP 16	HDMI POWER Assy	AWX8933	53	Screw	PMZ30P060FCC
NSP 17	FFC Guard (Front) Assy	AWX8899	54	Screw	ABA7125
NSP 18	FFC Guard (Side) Assy	See Contrast table (2)	55	Washer	WH40FNI
⚠ 19	Power Transformer (T1501)	ATS7403			
⚠ 20	Fuse (FU4 : T4AL/250V)	REK1028	56	Trans Barrier 60	AEC7588
			57	Screw	IBZ30P080FCC
⚠ 21	Fuse (FU1 : T5AL/250V)	REK1029	58	•••••	
⚠ 22	Fuse (FU5, 6 : T800mAL/250V)	REK1021	59	Raditation Sheet	PEB1306
⚠ 23	Fuse (FU7, 8 : T2.5AL/250V)	REK1026	60	7P Flexible Cable (J55)	ADD7611
24	22P Flexible Cable (J52)	See Contrast table (2)			
25	TRANS 1 Assy	•••••	NSP 61	FR IN Barrier 2	•••••
			62	Screw	IBP30P090FCC
NSP 26	Under Base 72	ANA7182	63	Barrier Cushion	AEB7391
27	Under Beam V1	ANG7478	64	USB Assy	See Contrast table (2)
NSP 28	Trans. Frame 74	ANG7539	NSP 65	Fuse Card (800mA, 250V)	AAX2367
NSP 29	DSP Shield 60	ANG7604			
NSP 30	Panel Stay 60	ANG7588	NSP 66	Fuse Card (T2.5AL/250V)	AAX7277
			NSP 67	Fuse Card (5A, 250V)	AAX7098
NSP 31	Transistor Holder	ANG7543	NSP 68	Fuse Card (4.0A, 250V)	AAX7099
NSP 32	DC Assy Holder	ANG7544	NSP 69	Fuse Card (T1.6AL/250V)	AAX2377
33	HDMI Shield 60	ANK7137	70	Card Spacer	See Contrast table (2)
34	PCB Mold	AMR2534			
35	HDMI TRANS Assy	AWX8939	71	Nylon Rivet	AEC7406
			72	Primary Barrier	AEC7569
36	HDMI DIODE Assy	AWX8940	73	Shield Case	AMR7526
37	Shield Cushion	See Contrast table (2)	⚠ 74	Fuse (FU9 : T1.6AL/250V)	REK1024

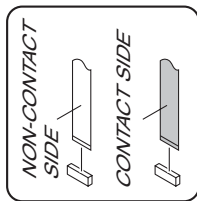
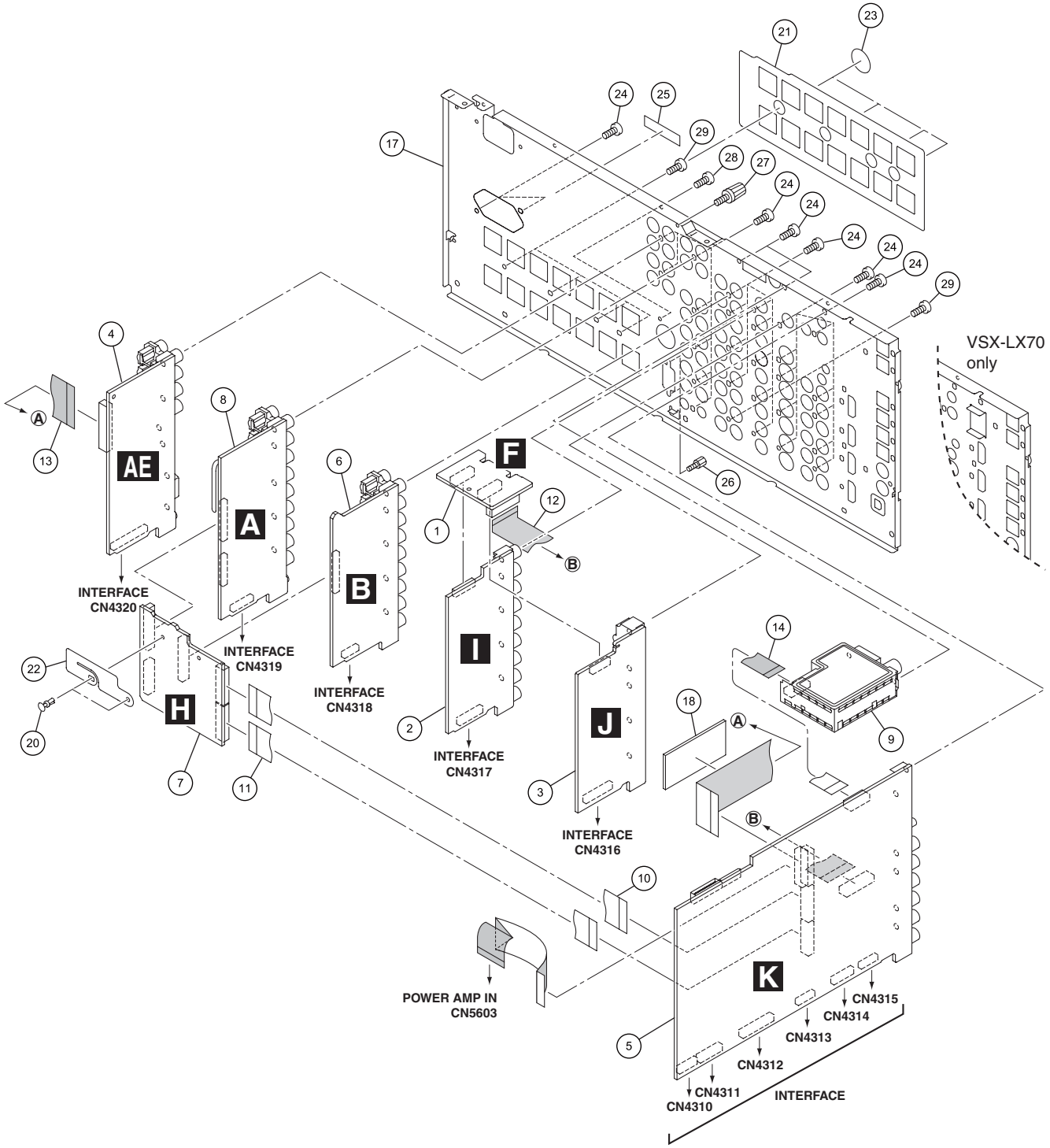
(2) CONTRAST TABLE

VSX-LX70/HYXJ5 and VSX-LX60/HYXJ5 are constructed the same except for the following:

Mark	No.	Symbol and Description	VSX-LX70/ HYXJ5	VSX-LX60/ HYXJ5
NSP	2	HDMI & DLNA Assy	AWX8974	Not used
	5	DIGITAL MOTHER Assy	AWP7047	AWP7053
	6	HDMI & DVC Assy	Not used	AWX8975
	7	SP/PS Assy	AWX8910	AWX8912
	11	DC/DC Assy	AWX8917	AWX8918
	12	INTERFACE Assy	AWX8949	AWX8941
	18	FFC Guard (Side) Assy	AWX8937	AWX8938
	24	22P Flexible Cable (J52)	ADD7633	Not used
	37	Shield Cushion	AEB7372	Not used
	64	USB Assy	Not used	AWX8944
70	Card Spacer	Not used	AEC7214	

9.4 REAR PANEL SECTION

A
B
C
D
E
F



(1) REAR PANEL SECTION PARTS LIST

<u>Mark No.</u>	<u>Description</u>	<u>Part No.</u>	<u>Mark No.</u>	<u>Description</u>	<u>Part No.</u>
NSP 1	BRIDGE 2 Assy	AWX8935	16	•••••	
2	COMPOSITE V Assy	AWX8972	17	Rear Panel	See Contrast table (2)
3	S VIDEO Assy	AWX8973	18	FFC Cushion	AEB7373
4	PREOUT & CONTROL Assy	AWX8889	19	•••••	
5	COMPONENT & VOL Assy	See Contrast table (2)	20	Nyron Rivet	AEC7408
6	V-AUDIO Assy	AWX8931	21	SP Sheet 74	AEC7537
NSP 7	BRIDGE 3 Assy	AWX8936	NSP 22	Connect Barrier	AEC7541
8	AUDIO & MULTI CH IN Assy	AWX8927	23	Cushion Circle 16B	AED7052
9	FM/AM TUNER Unit	AXX7248	24	Screw	BBZ30P080FCC
10	19P Flexible Cable (J45)	ADD7537	NSP 25	Label	VRW1629
11	15P Flexible Cable (J46)	ADD7613	26	Screw 2.85 x 7	ABA7078
12	17P Flexible Cable (J47)	ADD7534	27	Terminal Screw	AKE-031-0
13	24P Flexible Cable (J48)	ADD7612	28	Screw	BBZ26P080FCC
14	11P Flexible Cable (J54)	ADD7536	29	Screw	BBT30P100FCC
15	•••••				

(2) CONTRAST TABLE

VSX-LX70/HYXJ5 and VSX-LX60/HYXJ5 are constructed the same except for the following:

Mark	No.	Symbol and Description	VSX-LX70/ HYXJ5	VSX-LX60/ HYXJ5
	5	COMPONENT & VOL Assy	AWQ7042	AWQ7047
	17	Rear Panel 70HY	ANC8485	Not used
	17	Rear Panel 60HY	Not used	ANC8490

9.5 POWER AMP SECTION

A

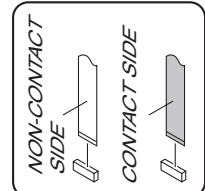
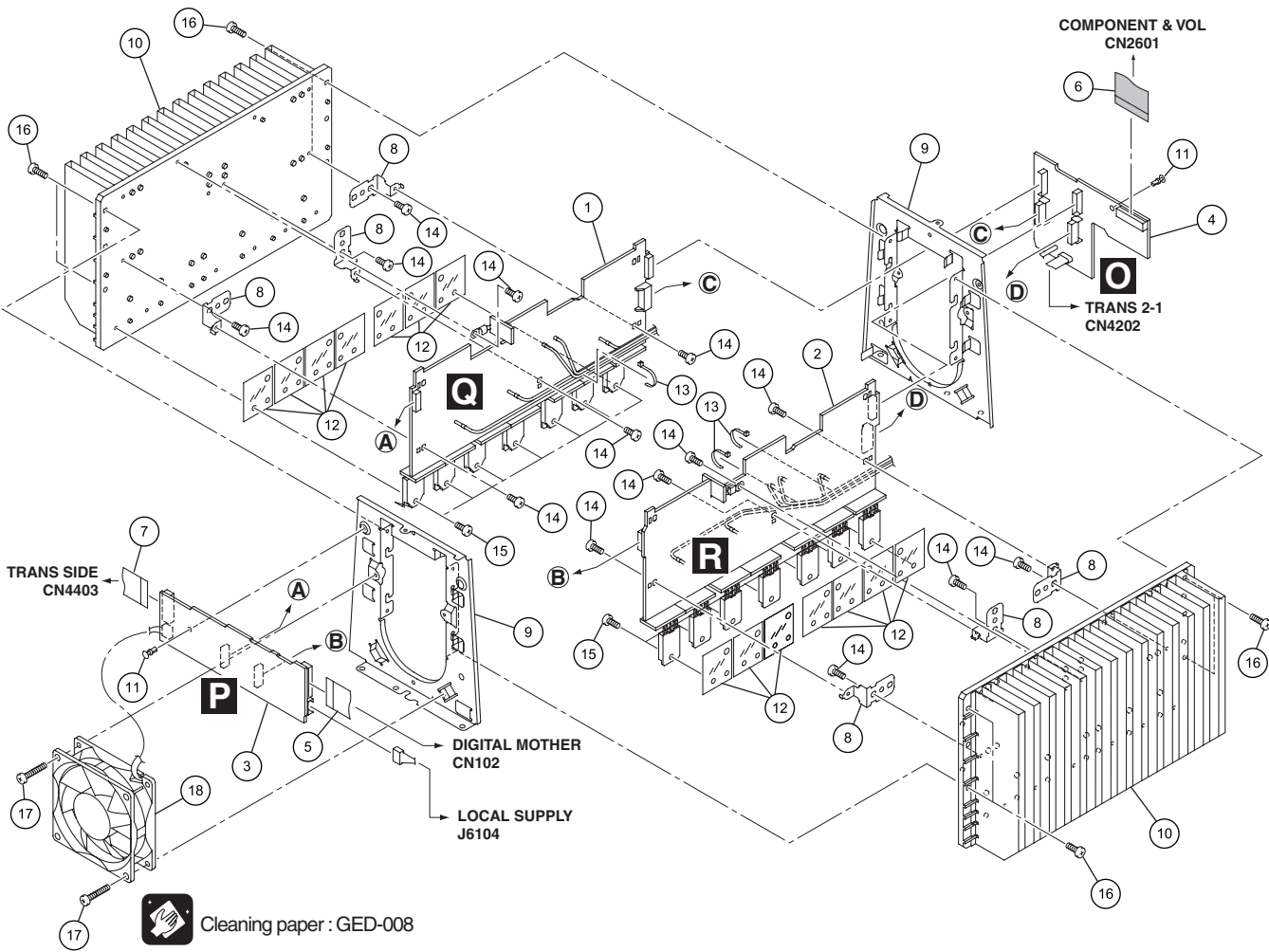
B

C

D

E

F



5 6 7 8

(1) POWER AMP SECTION PARTS LIST

<u>Mark No.</u>	<u>Description</u>	<u>Part No.</u>
1	POWER AMP-L Assy	AWX8655
2	POWER AMP-R Assy	AWX8657
3	POWER PROTECT Assy	AWX8659
4	POWER AMP IN Assy	AWX8662
5	19P Flexible Cable (J43)	ADD7509
6	19P Flexible Cable (J44)	ADD7535
7	17P Flexible Cable (J51)	ADD7516
8	PCB Angle 45	ANG7406
NSP 9	HS Angle 74	ANG7542
NSP 10	Heatsink 74	ANH7181
11	Nyron Rivet	AEC7408
12	Mica Sheet	AEC7545
NSP 13	Binder (BK-1)	ZCA-BK1
14	Screw	BBZ30P080FCC
15	Screw 3 x 19	ABA7085
16	Screw	BBT30P100FCC
17	Screw	BBZ30P300FTC
⚠ 18	DC Fan Motor	AXM7029

A

B

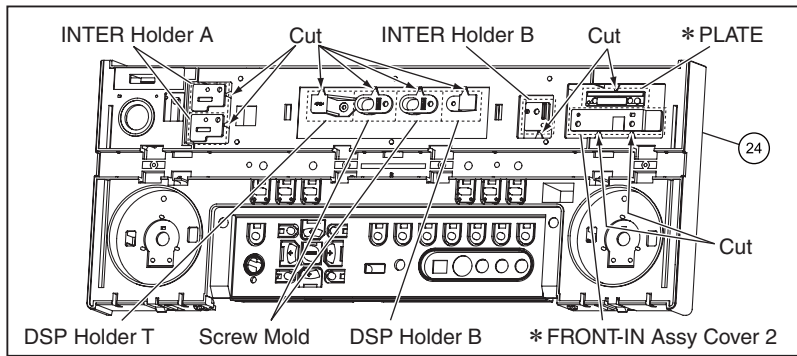
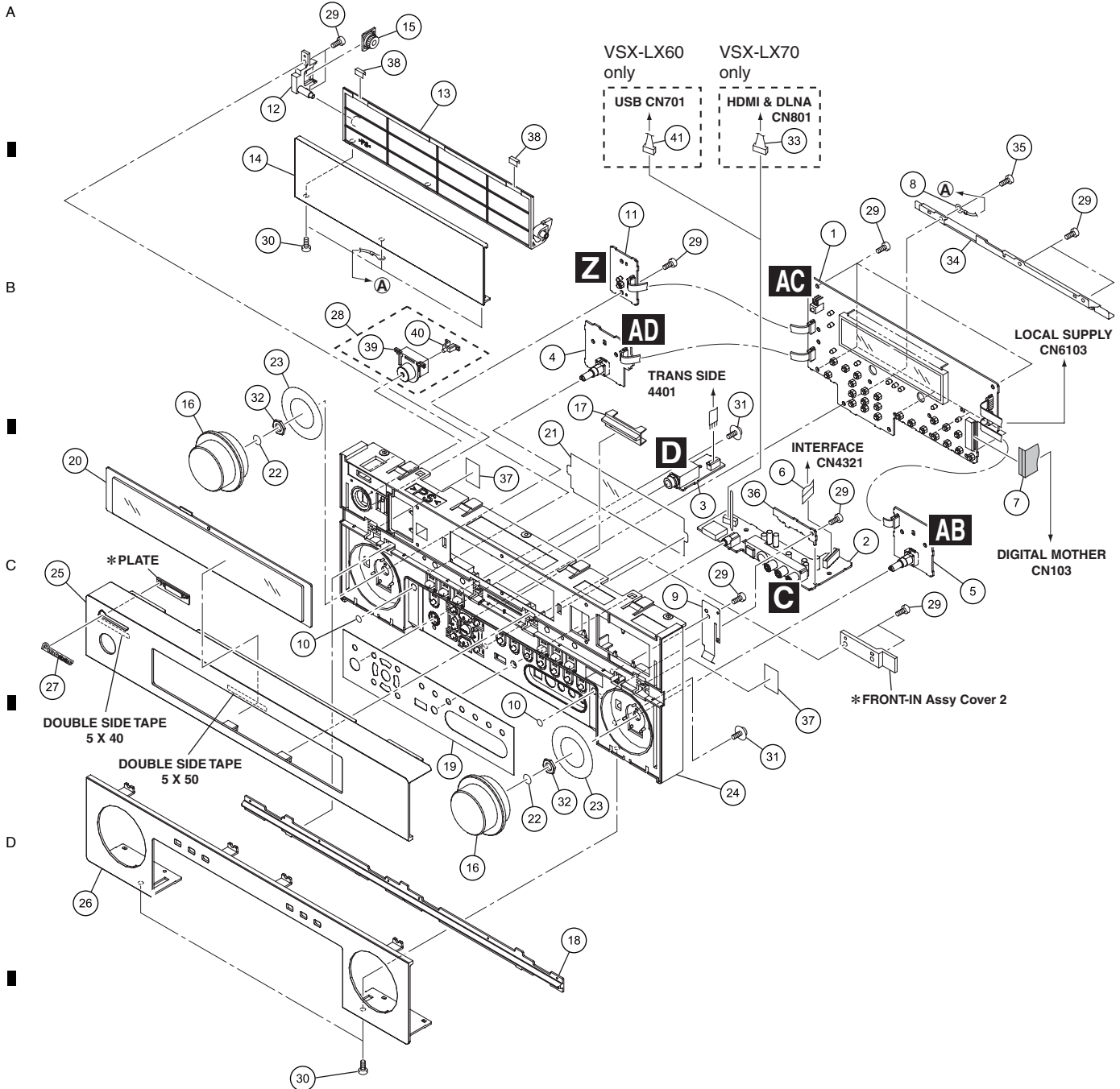
C

D

E

F

9.6 FRONT PANEL SECTION



(1) FRONT PANEL SECTION PARTS LIST

<u>Mark No.</u>	<u>Description</u>	<u>Part No.</u>	<u>Mark No.</u>	<u>Description</u>	<u>Part No.</u>
1	DISPLAY Assy	AWX8900	21	Filter 60HY	AAK8413
2	FRONT-IN Assy	See Contrast table (2)	22	VOL Ring 60	ABH7249
3	HEADPHONE Assy	AWX8905	23	Knob Spacer 74	AEC7558
4	INPUT SELECT Assy	AWX8906	24	Panel Base 60HY	AMB7973
5	VOLUME Assy	AWX8907	25	Front Panel TOP	See Contrast table (2)
6	15P Flexible Cable (J41)	ADD7610	26	Front Panel BTM 60HY	ANB7467
7	31P Flexible Cable (J42)	ADD7609	27	Pioneer Badge (AL)	BAM1004
NSP 8	Cord with Plug	ADH7022	28	STBY BTN LXHY Assy	AAD7773
9	Door Spring	ABK7061	29	Screw	BBZ30P080FNI
10	Cushion Circle 6B	AED7083	30	Screw	BBZ30P080FTB
11	POWER SW Assy	AWX8908	31	Screw	ABA7110
12	Door Shaft 60	AMR7531	32	Nut	NK90FTC
13	Door Base 60HY	AMR7529	33	5P Shielded Cable	See Contrast table (2)
14	Door Panel 60HY	ANB7471	34	Panel Beam 60	ANG7590
15	Damper Assy (240)	AXA7136	35	Screw	BBZ30P100FTC
16	VOL. Knob	AAA7052	NSP 36	FRONT-IN Assy Cover1	•••••
17	IB Lens 60	AAK8379	37	Cushion 15 X 20	AED7106
18	Center Lens 60	AAK8380	38	Cushion 11 X 7	AED7092
19	Door Sheet 60HY	AAK8405	39	STBY BTN LXHY	AAD7772
20	Window 60HY	AAK8396	NSP 40	STBY Lens V2	XAK3477
			41	4P Shielded Cable	See Contrast table (2)

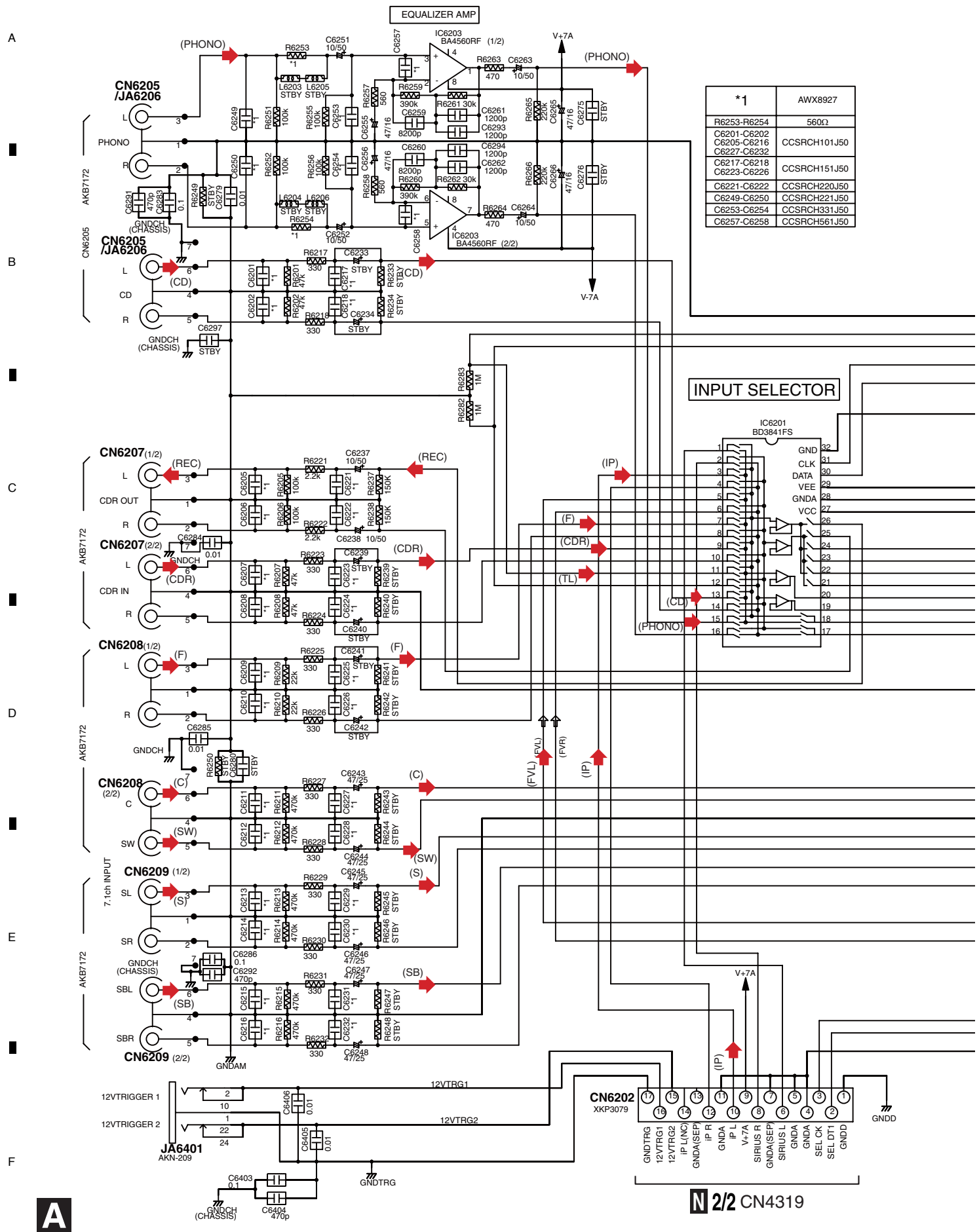
(2) CONTRAST TABLE

VSX-LX70/HYXJ5 and VSX-LX60/HYXJ5 are constructed the same except for the following:

<u>Mark</u>	<u>No.</u>	<u>Symbol and Description</u>	<u>VSX-LX70/ HYXJ5</u>	<u>VSX-LX60/ HYXJ5</u>
	2	FRONT-IN Assy	AWX8902	AWX8904
	25	Front Panel TOP 70HY	ANB7463	Not used
	25	Front Panel TOP 60HY	Not used	ANB7460
	33	5P Shielded Cable	ADX7573	Not used
	41	4P Shielded Cable	Not used	ADX7615

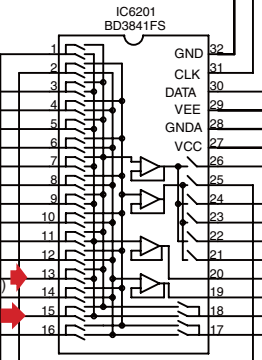
10. SCHEMATIC DIAGRAM

10.1 AUDIO & MULTI CH IN ASSY



*1	AWX8927
R6253-R6254	560Ω
C6201-C6202	CCSRCH101J50
C6205-C6216	CCSRCH101J50
C6227-C6232	CCSRCH101J50
C6217-C6218	CCSRCH151J50
C6223-C6226	CCSRCH151J50
C6221-C6222	CCSRCH220J50
C6249-C6250	CCSRCH221J50
C6253-C6254	CCSRCH331J50
C6257-C6258	CCSRCH561J50

INPUT SELECTOR

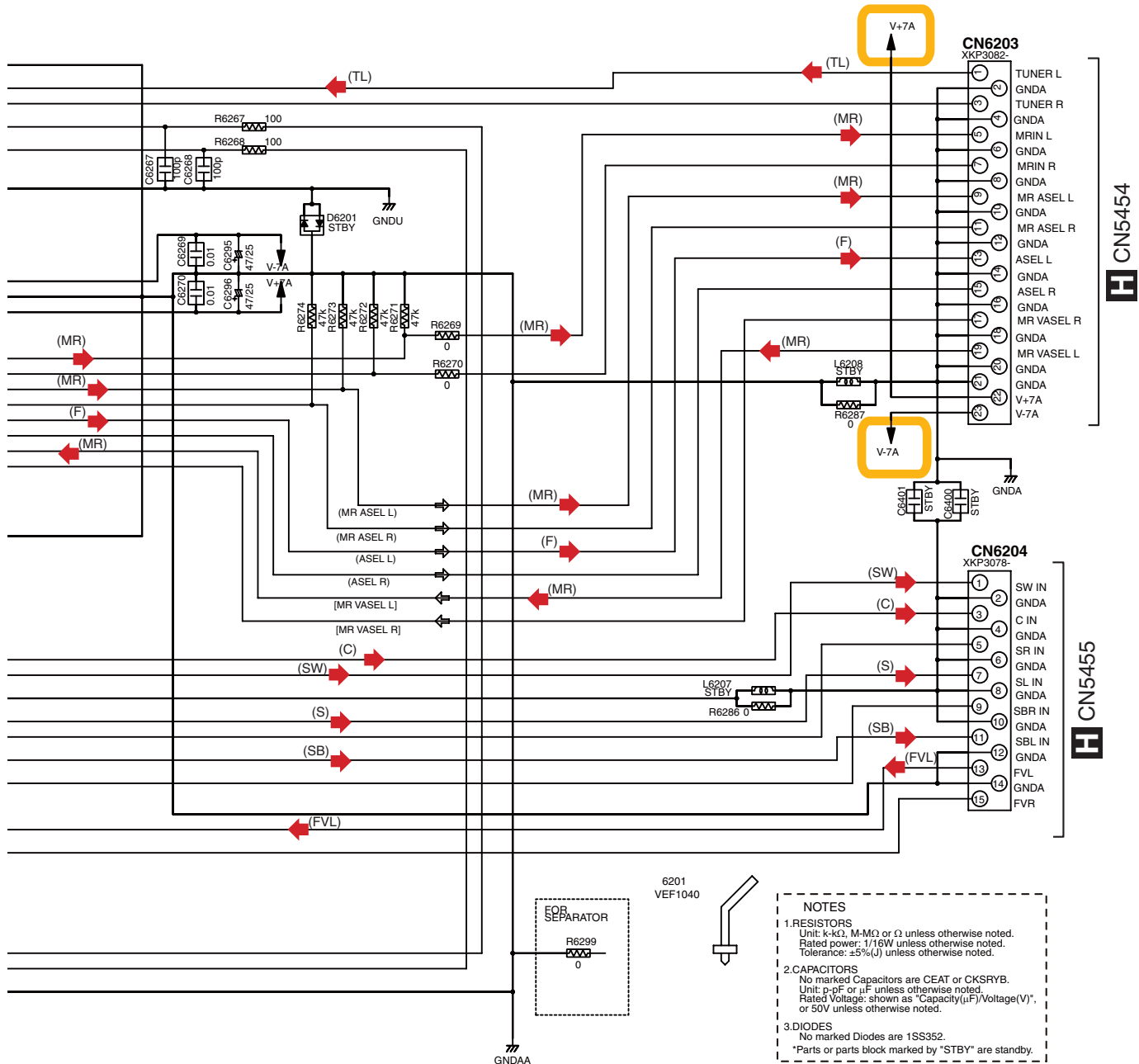


A

N 2/2 CN4319

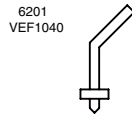
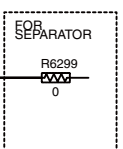
- (F) : AUDIO SIGNAL ROUTE(F)
- (C) : AUDIO SIGNAL ROUTE(C)
- (S) : AUDIO SIGNAL ROUTE(S)
- (SB) : AUDIO SIGNAL ROUTE(SB)
- (SW) : AUDIO SIGNAL ROUTE(SW)
- (PHONO) : AUDIO SIGNAL ROUTE (PHONO)
- (IP) : AUDIO SIGNAL ROUTE(IP)
- (CD) : AUDIO SIGNAL ROUTE (CD)
- (TL) : AUDIO SIGNAL ROUTE (TL)
- (MR) : AUDIO SIGNAL ROUTE (MR)
- (REC) : AUDIO SIGNAL ROUTE (REC)
- (CDR) : AUDIO SIGNAL ROUTE (CDR)
- (FVL) : AUDIO SIGNAL ROUTE (FVL)

A AUDIO & MULTI CH IN ASSY (AWX8927)



NOTES

- RESISTORS**
Unit: k-k Ω , M-M Ω or Ω unless otherwise noted.
Rated power: 1/16W unless otherwise noted.
Tolerance: $\pm 5\%$ (Ω) unless otherwise noted.
- CAPACITORS**
No marked Capacitors are CEAT or CKSRVB.
Unit: p-pF or μ F unless otherwise noted.
Rated Voltage: shown as "Capacity(μ F)/Voltage(V)", or 50V unless otherwise noted.
- DIODES**
No marked Diodes are 1SS352.
*Parts or parts block marked by "STBY" are standby.



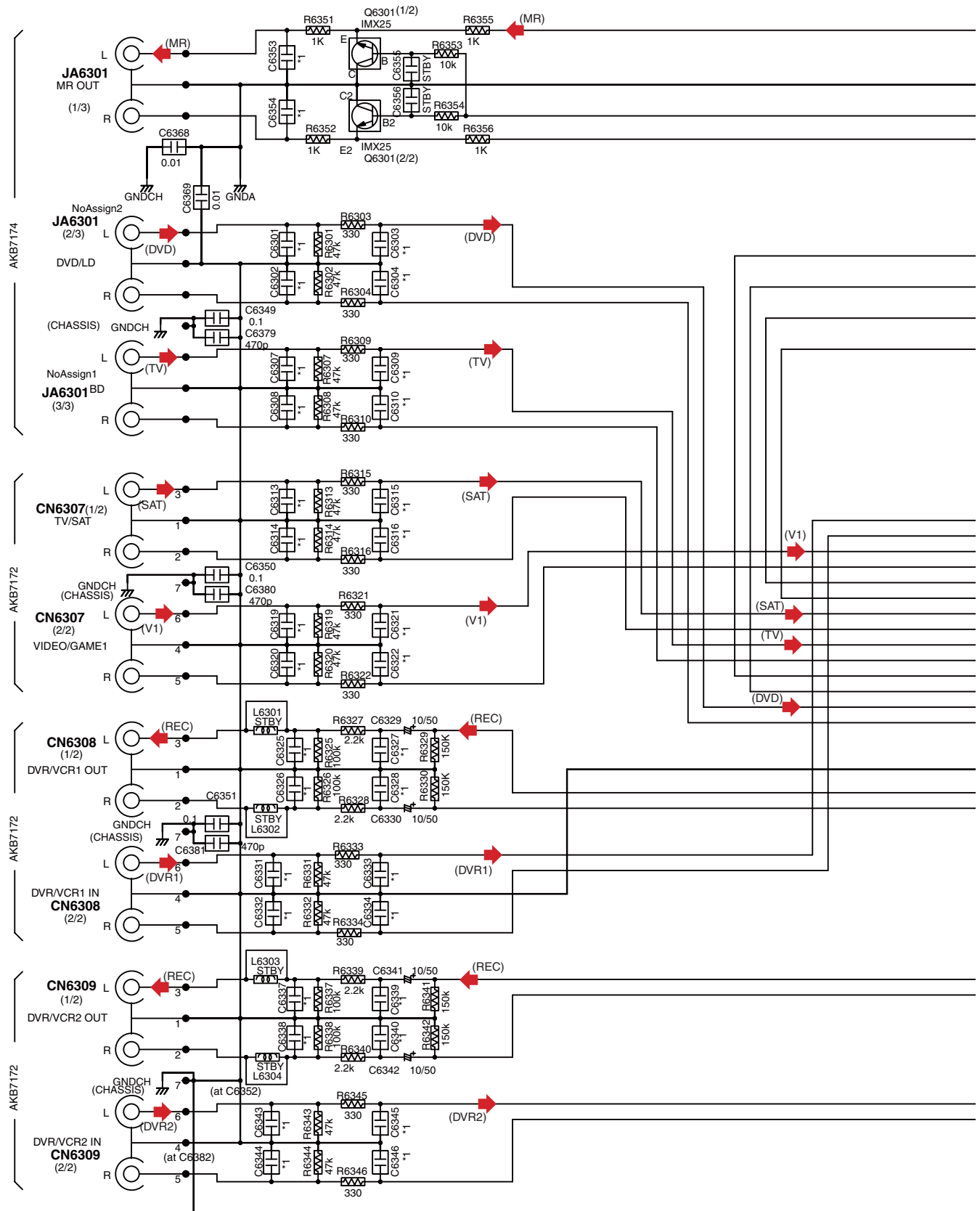
GNDAA

CN5454

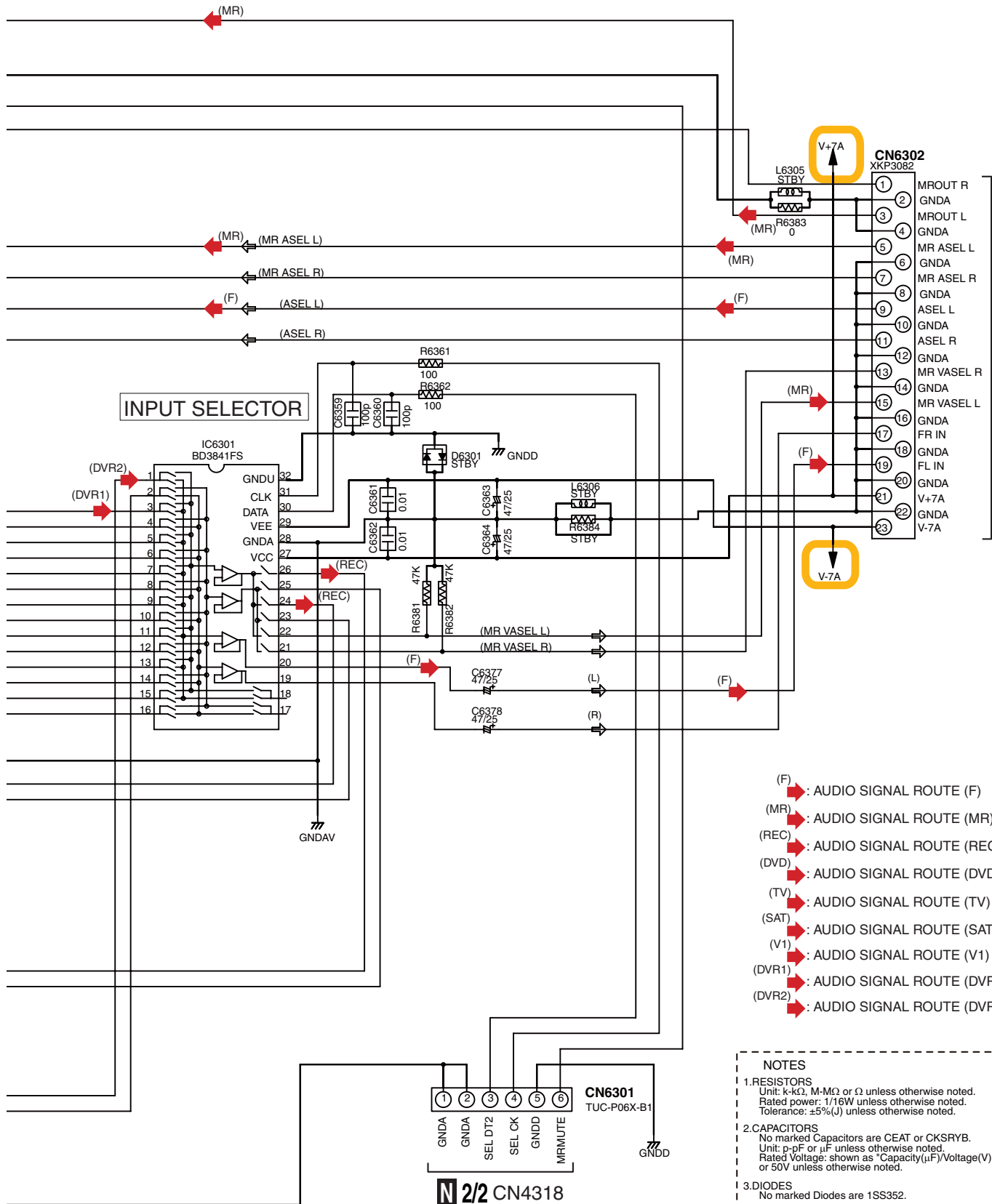
CN5455

10.2 V-AUDIO ASSY

B V-AUDIO ASSY (AWX8931)



		AWX8931
C6353-C6354		CCSRCH331J50
C6301-C6304	C6307-C6310	CCSRCH101J50
C6213-C6316	C6319-C6322	
C6325-C6326	C6331-C6334	
C6337-C6338	C6343-C6346	
C6327-C6328	C6339-C6340	CCSRCH220J50



- (F) : AUDIO SIGNAL ROUTE (F)
- (MR) : AUDIO SIGNAL ROUTE (MR)
- (REC) : AUDIO SIGNAL ROUTE (REC)
- (DVD) : AUDIO SIGNAL ROUTE (DVD)
- (TV) : AUDIO SIGNAL ROUTE (TV)
- (SAT) : AUDIO SIGNAL ROUTE (SAT)
- (V1) : AUDIO SIGNAL ROUTE (V1)
- (DVR1) : AUDIO SIGNAL ROUTE (DVR1)
- (DVR2) : AUDIO SIGNAL ROUTE (DVR2)

NOTES

1. RESISTORS
Unit: k-kΩ, M-MΩ or Ω unless otherwise noted.
Rated power: 1/16W unless otherwise noted.
Tolerance: ±5%(J) unless otherwise noted.

2. CAPACITORS
No marked Capacitors are CEAT or CKSRYB.
Unit: p-pF or μF unless otherwise noted.
Rated Voltage: shown as "Capacity(μF)/Voltage(V)", or 50V unless otherwise noted.

3. DIODES
No marked Diodes are 1SS352.
*Parts or parts block marked by "STBY" are standby.

N 2/2 CN4318

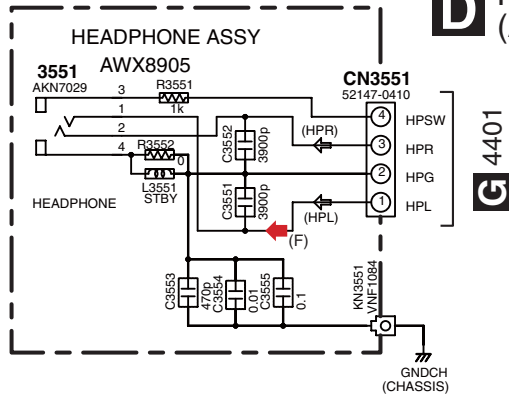
VSX-LX70

H CN5453

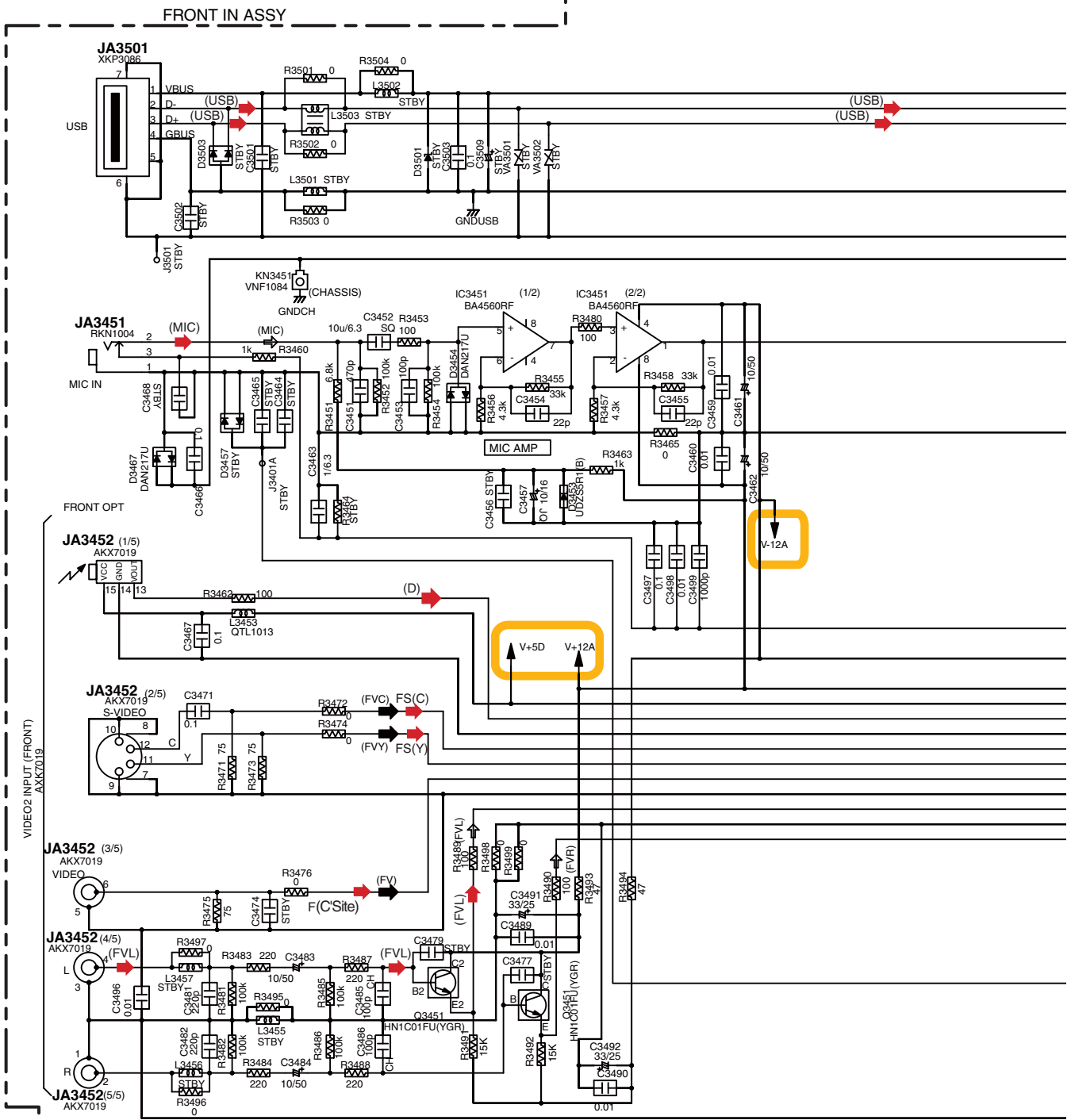
B

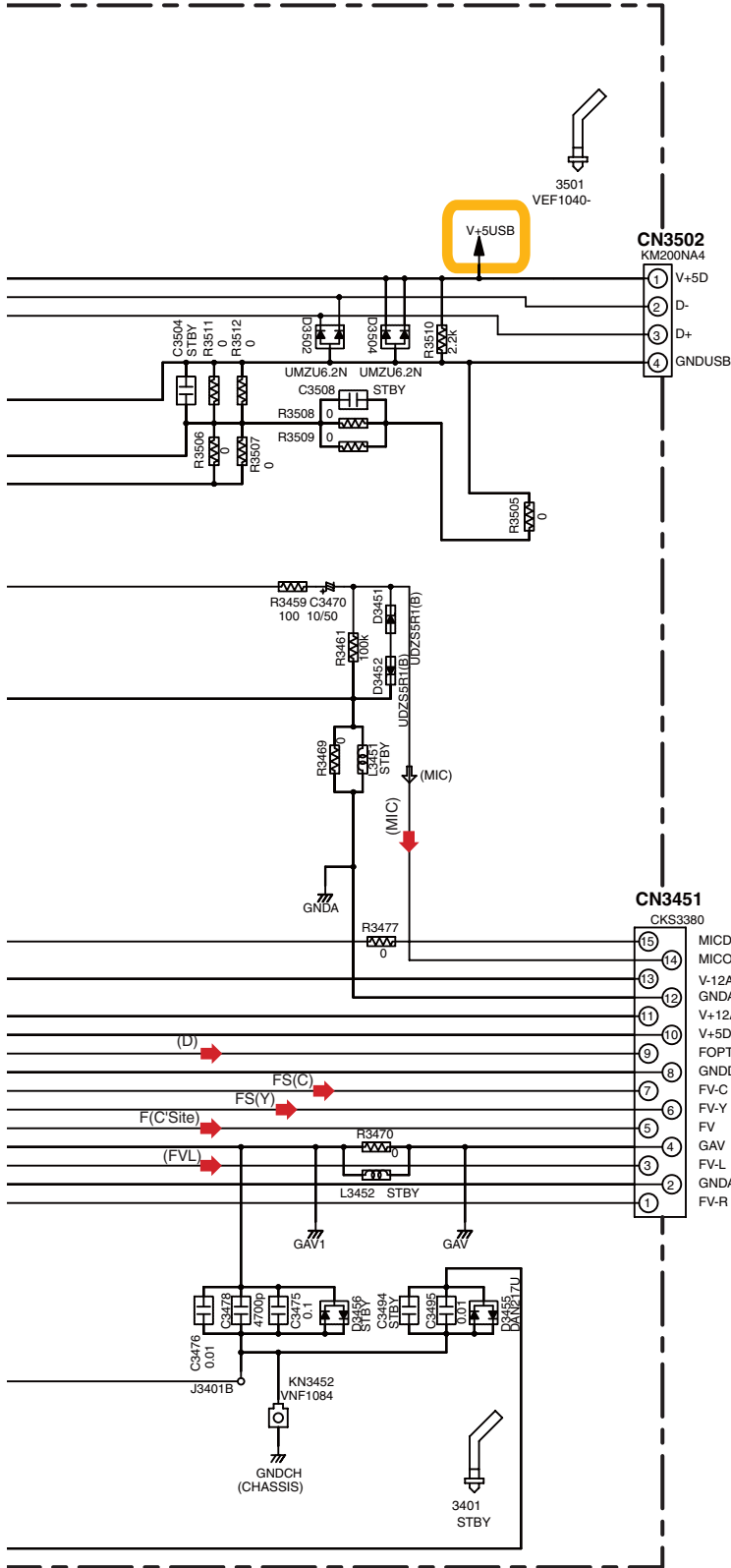
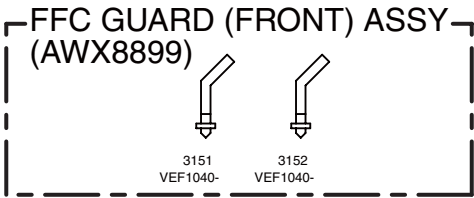
10.3 FRONT-IN and HEADPHONE ASSYS

D HEADPHONE ASSY (AWX8905)



C FRONT-IN ASSY (VSX-LX70:AWX8902) (VSX-LX60:AWX8904)





AM CN701

N 2/2 CN4321

- FS(Y) → VIDEO SIGNAL ROUTE FS(Y)
- FS(C) → VIDEO SIGNAL ROUTE FS(C)
- F(C'Site) → VIDEO SIGNAL ROUTE F(C'Site)
- (FVL) → VIDEO SIGNAL ROUTE (VIDEO 2)
- (F) → AUDIO SIGNAL ROUTE (F)
- (MIC) → AUDIO SIGNAL ROUTE (MIC)
- (D) → AUDIO SIGNAL ROUTE (SPDIF)
- (USB) → AUDIO SIGNAL ROUTE (USB)

The Δ mark found on some component parts should be replaced with same parts (safety regulation authorized) of identical designation.

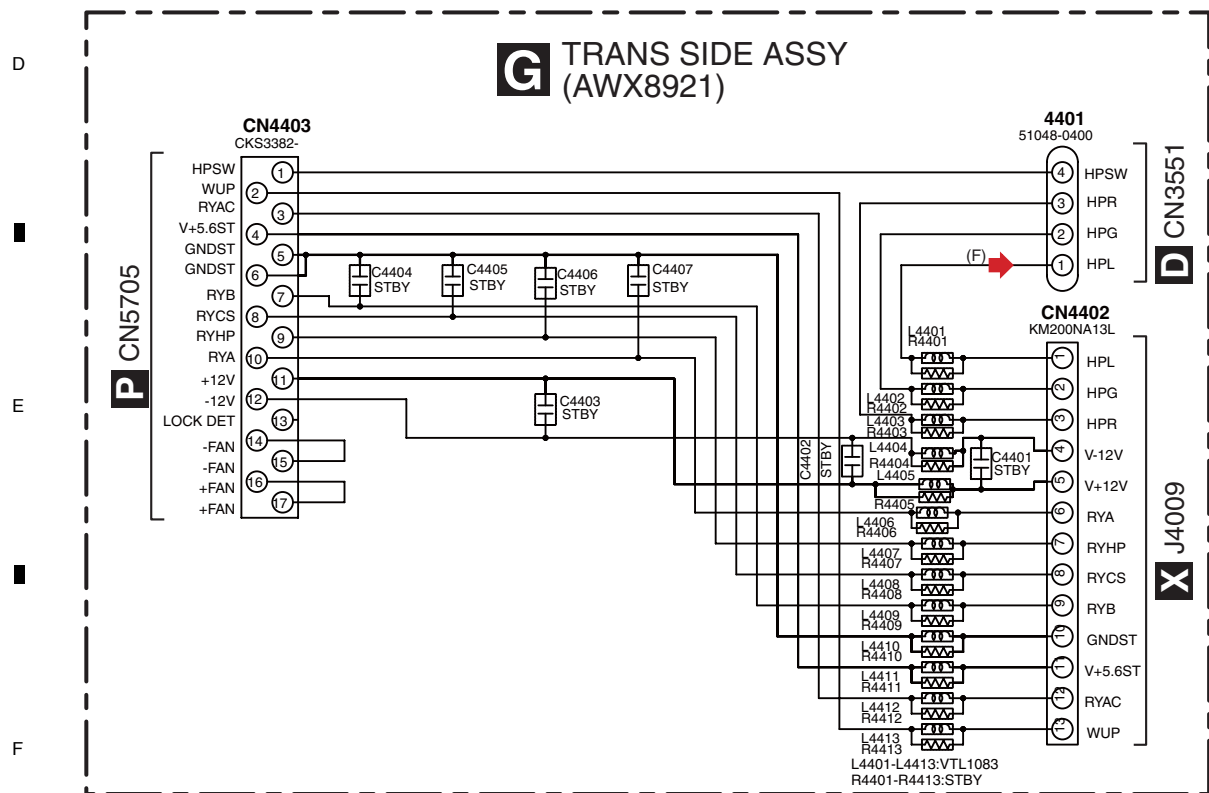
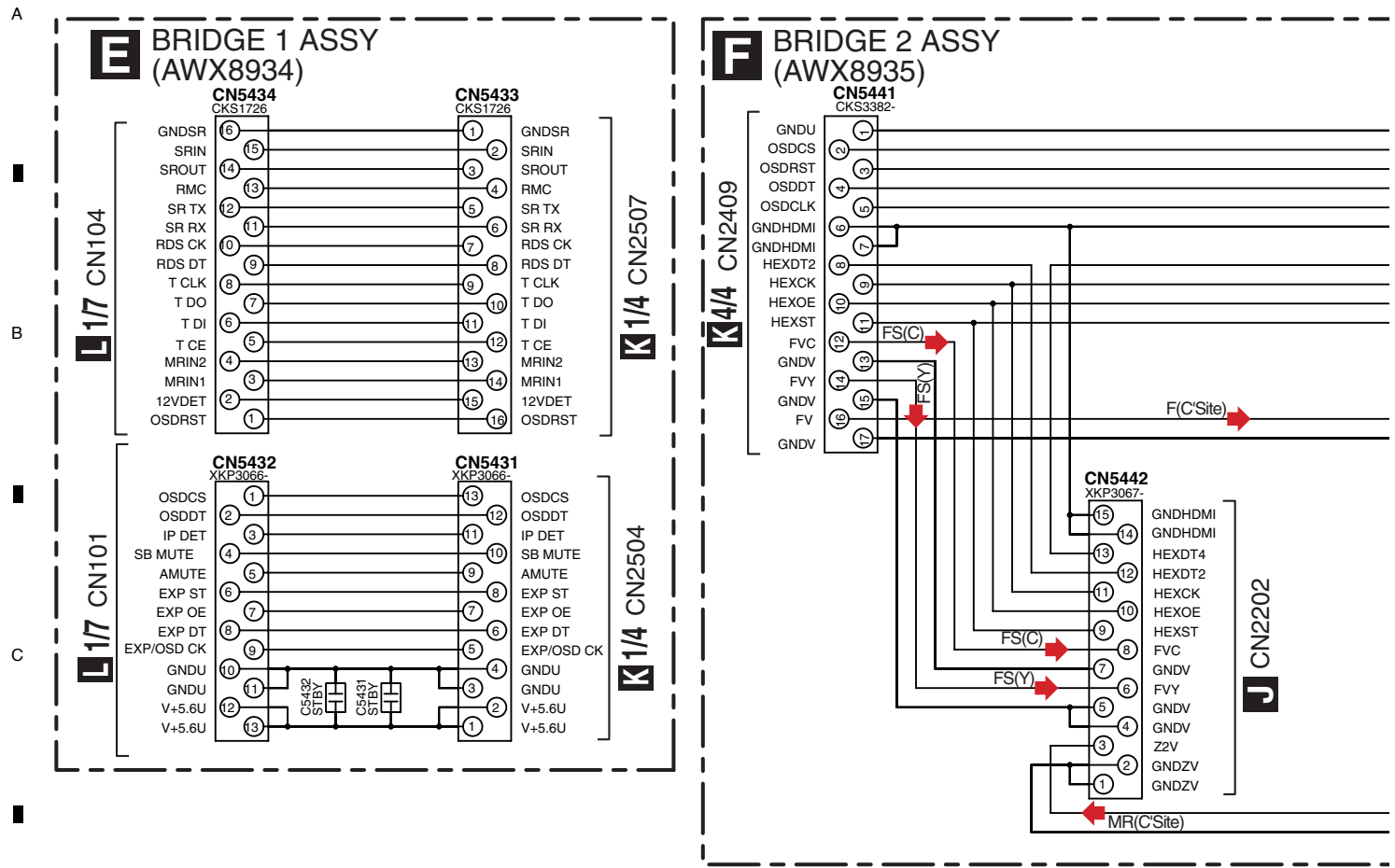
NOTE

1.RESISTORS
Unit: k-k Ω , M-M Ω or Ω unless otherwise noted.
Rated power: 1/16W unless otherwise noted.
Tolerance: (J) $\pm 5\%$ unless otherwise noted.

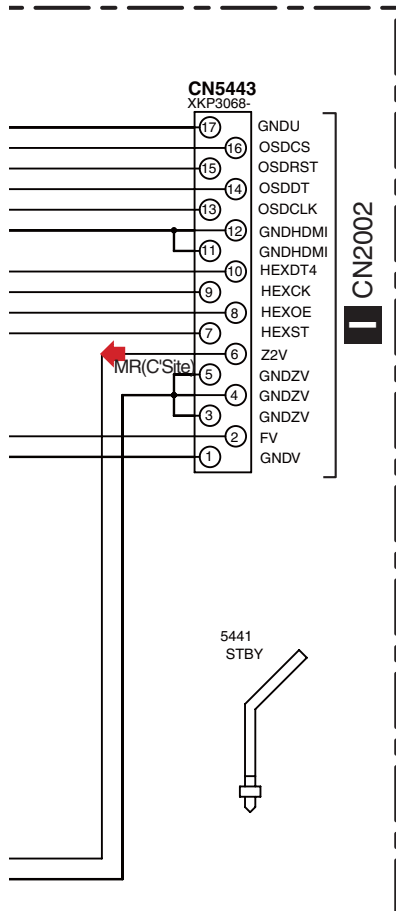
2.CAPACITORS
Unit: p-pF or μ F unless otherwise noted.
Ratings: Capacity(μ F)/Voltage(V) unless otherwise noted.
Rated Voltage: 50V expect for electrolytic capacitors.
JQ,CE,JO



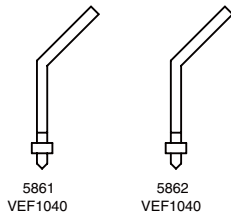
10.4 BRIDGE1, BRIDGE2, TRANS SIDE and BRIDGE3 ASSYS



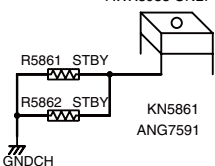
E F G



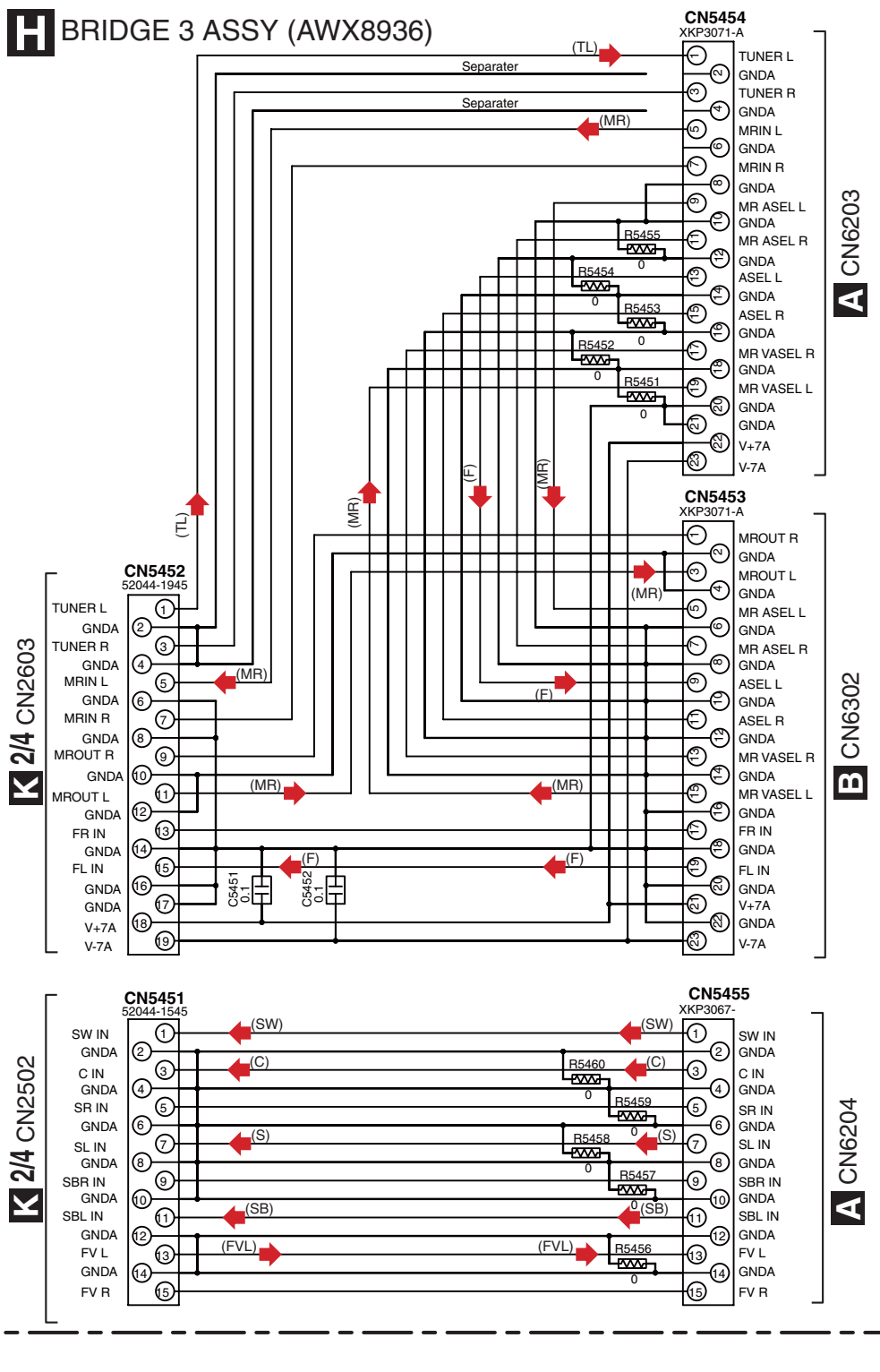
FFC GUARD(Side)
ASSY
(VSX-LX70:AWX8937)
(VSX-LX60:AWX8938)



AWX8938 ONLY



BRIDGE 3 ASSY (AWX8936)



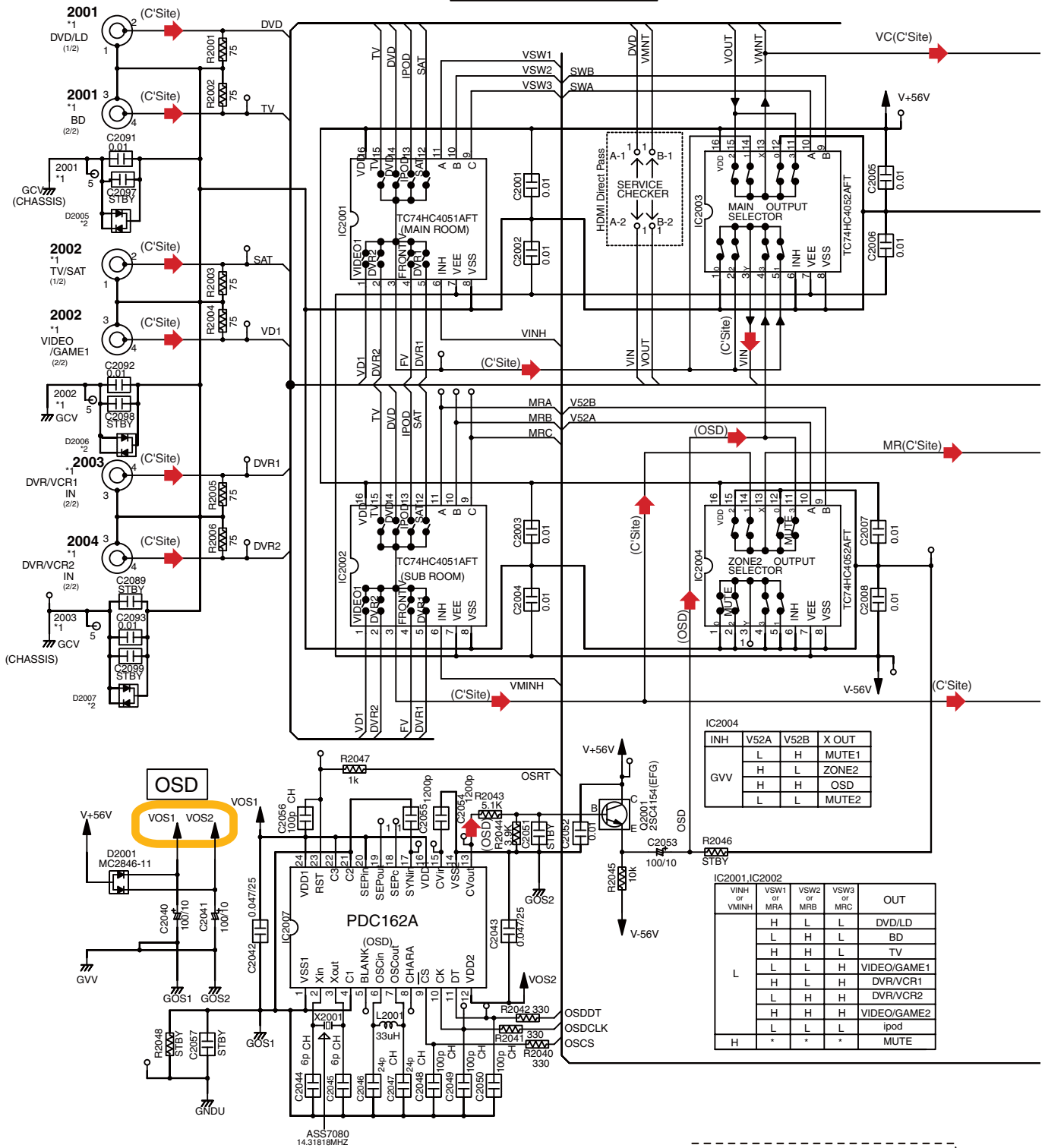
MR(C'Site) → : VIDEO SIGNAL ROUTE MR(C'Site)
F(C'Site) → : VIDEO SIGNAL ROUTE F(C'Site)
FS(C) → : VIDEO SIGNAL ROUTE FS(C)
FS(Y) → : VIDEO SIGNAL ROUTE FS(Y)

(F) → : AUDIO SIGNAL ROUTE (F)
(C) → : AUDIO SIGNAL ROUTE (C)
(S) → : AUDIO SIGNAL ROUTE (S)
(SB) → : AUDIO SIGNAL ROUTE (SB)
(SW) → : AUDIO SIGNAL ROUTE (SW)
(TL) → : AUDIO SIGNAL ROUTE (TUNER)
(FVL) → : AUDIO SIGNAL ROUTE (VIDEO2)
(MR) → : AUDIO SIGNAL ROUTE (MR)

10.5 COMPOSITE V ASSY

*1	AWX8972
2001,2002 2003,2004	AKB7176
JA2005	AKB7175

VIDEO SELECTOR



IC2004	INH	V52A	V52B	X OUT
G VV	L	H	L	MUTE1
	H	L	L	ZONE2
	H	H	L	OSD
	L	L	L	MUTE2

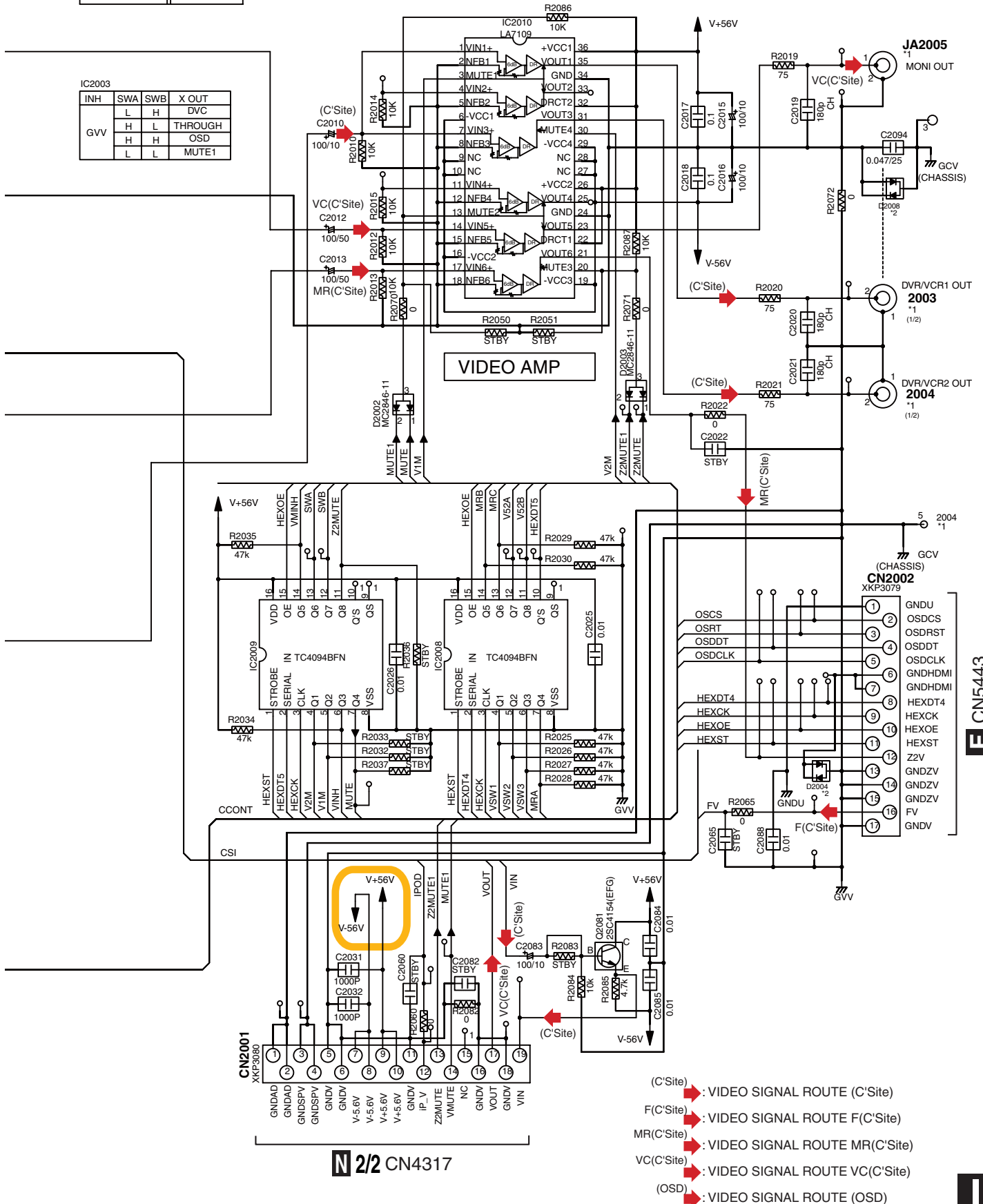
IC2001, IC2002	VINH or VMINH	VSW1 or MRA	VSW2 or MRB	VSW3 or MRC	OUT
L	H	L	L	L	DVD/LD
	L	L	L	L	BD
	L	H	L	L	TV
	L	L	L	H	VIDEO/GAME1
	L	L	L	H	DVR/VCR1
	L	H	H	H	DVR/VCR2
	L	H	H	H	VIDEO/GAME2
	L	L	L	L	ipod
H	*	*	*	MUTE	

- NOTES**
- RESISTORS**
Unit: k-k Ω , M-M Ω or Ω unless otherwise noted.
Rated power: 1/15W unless otherwise noted.
Tolerance: $\pm 5\%$ (J) unless otherwise noted.
 - CAPACITORS**
No marked Capacitors are CEAT or CKSRYB.
Unit: p-pF or μ F unless otherwise noted.
Rated Voltage: shown as "Capacity(μ F)/Voltage(V)", or 50V unless otherwise noted.
 - DIODES**
No marked Diodes are 1SS352.
*Parts or parts block marked by "STBY" are standby.

COMPOSITE V ASSY (AWX8972)

*2	AWX8972
D2004-D2008	DAN217U

IC2003			
INH	SWA	SWB	X OUT
L	H	H	DVC
H	L	L	THROUGH
H	H	L	OSD
L	L	L	MUTE1



- (C'Site) → VIDEO SIGNAL ROUTE (C'Site)
- F(C'Site) → VIDEO SIGNAL ROUTE F(C'Site)
- MR(C'Site) → VIDEO SIGNAL ROUTE MR(C'Site)
- VC(C'Site) → VIDEO SIGNAL ROUTE VC(C'Site)
- (OSD) → VIDEO SIGNAL ROUTE (OSD)

N 2/2 CN4317

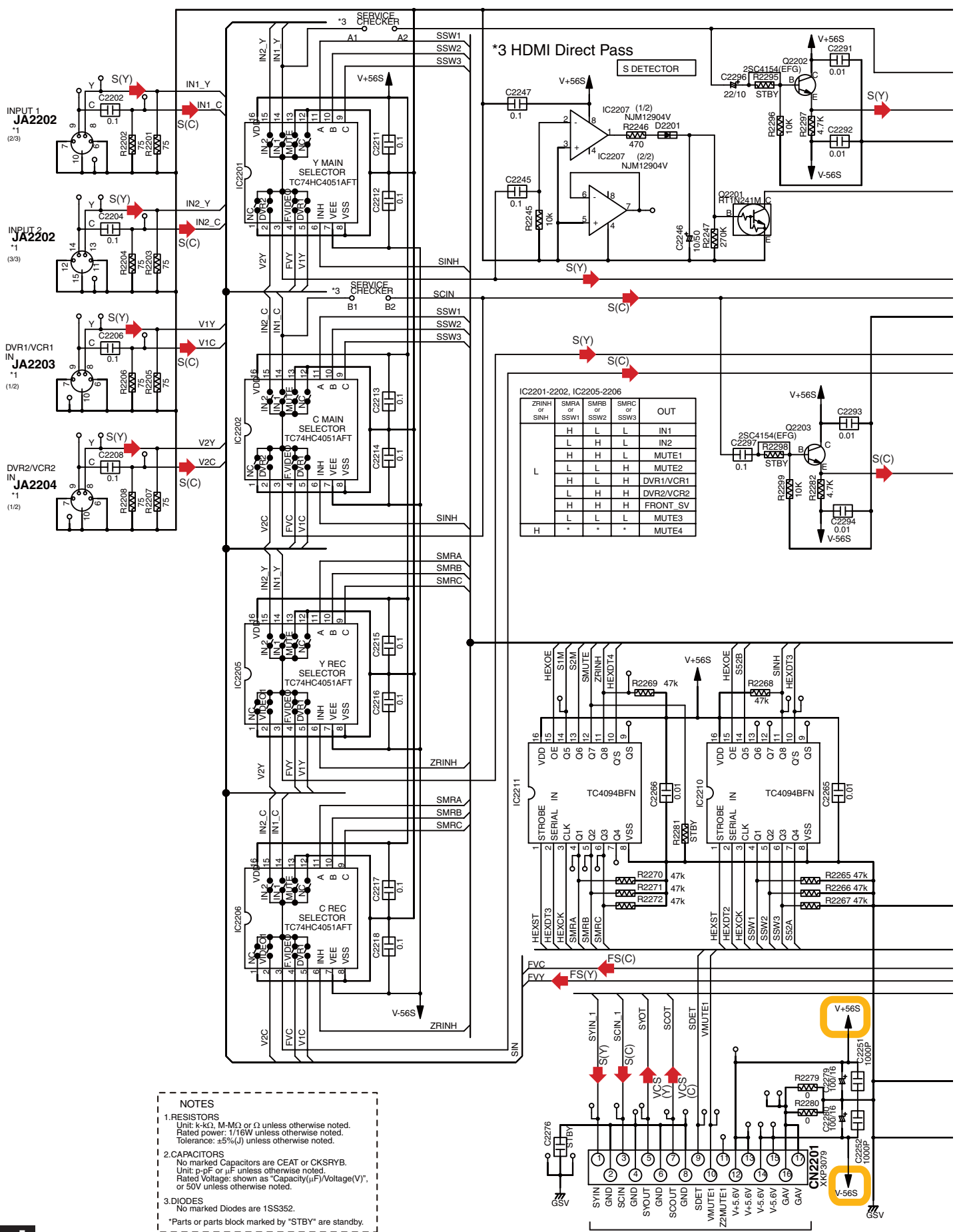
VSX-LX70

E CN5443



10.6 S-VIDEO ASSY

A
B
C
D
E
F

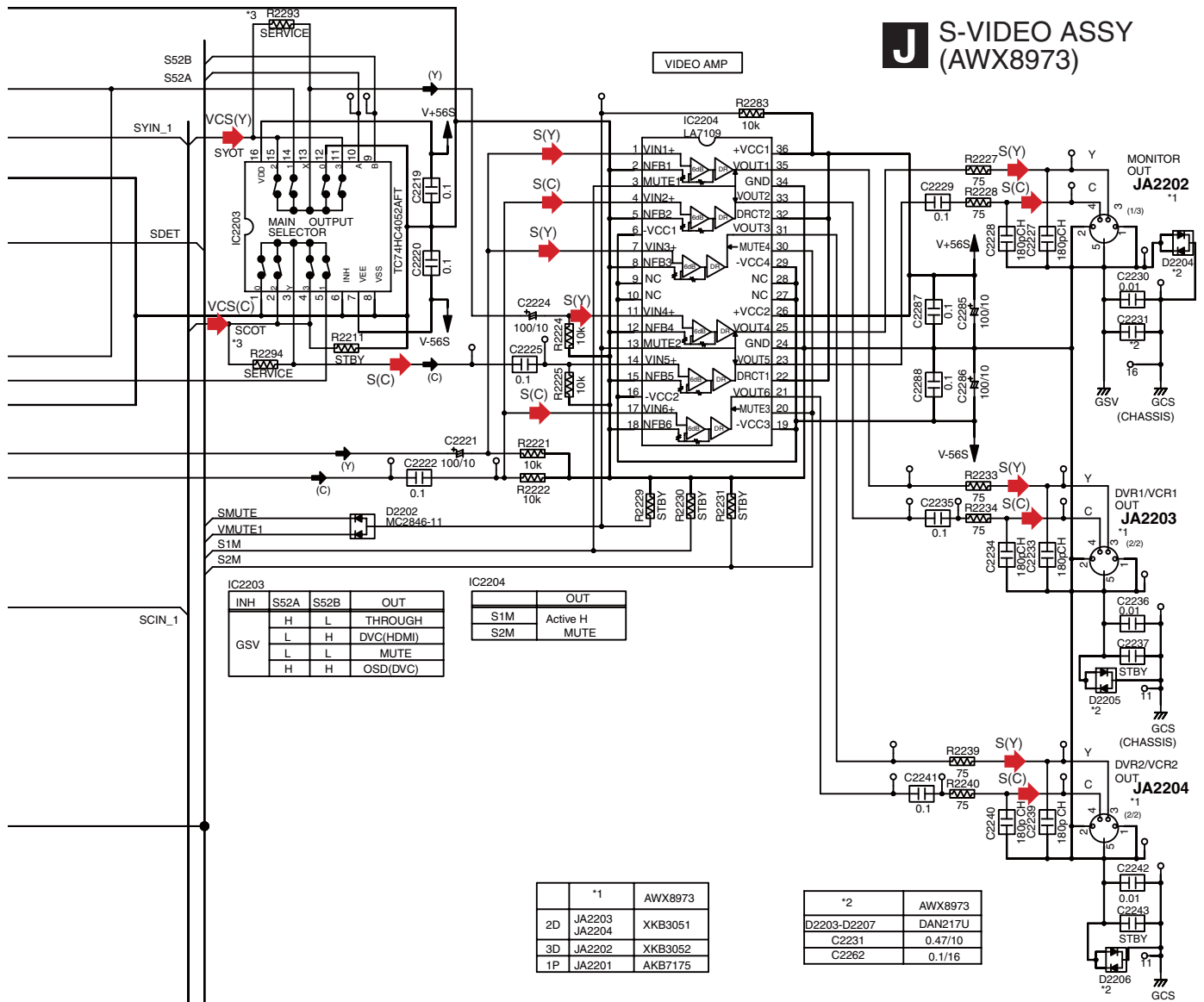


NOTES

- RESISTORS**
Unit: k-kΩ, M-MΩ or Ω unless otherwise noted.
Rated power: 1/16W unless otherwise noted.
Tolerance: ±5%(J) unless otherwise noted.
- CAPACITORS**
No marked Capacitors are CEAT or CKSRYB.
Unit: p-pF or μF unless otherwise noted.
Rated Voltage: shown as "Capacity(μF)/Voltage(V)", or 50V unless otherwise noted.
- DIODES**
No marked Diodes are 1SS352.
*Parts or parts block marked by "STBY" are standby.

N 2/2 CN4316

J S-VIDEO ASSY (AWX8973)

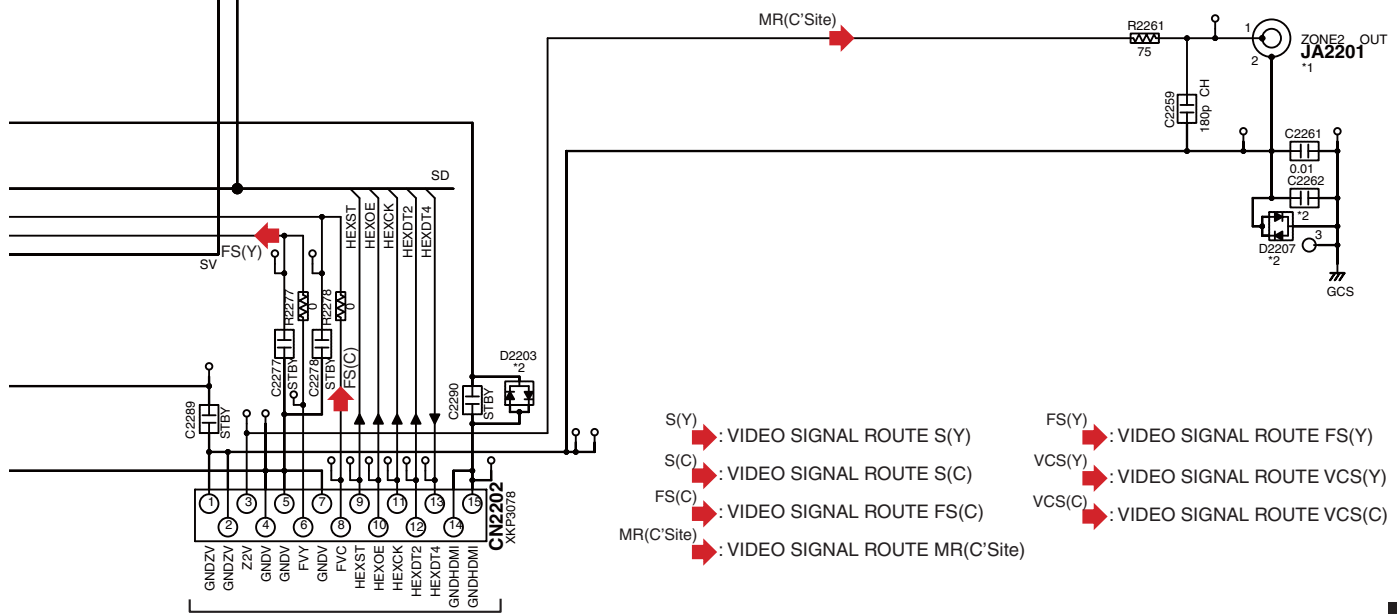


IC2203			
INH	S52A	S52B	OUT
	H	L	THROUGH
	L	H	DVC(HDMI)
GSV	L	L	MUTE
	H	H	OSD(DVC)

IC2204	
	OUT
S1M	Active H
S2M	MUTE

	*1	AWX8973
2D	JA2203	XKB3051
3D	JA2202	XKB3052
1P	JA2201	AKB7175

	*2	AWX8973
D2203-D2207		DAN217U
C2231		0.47/10
C2262		0.1/16



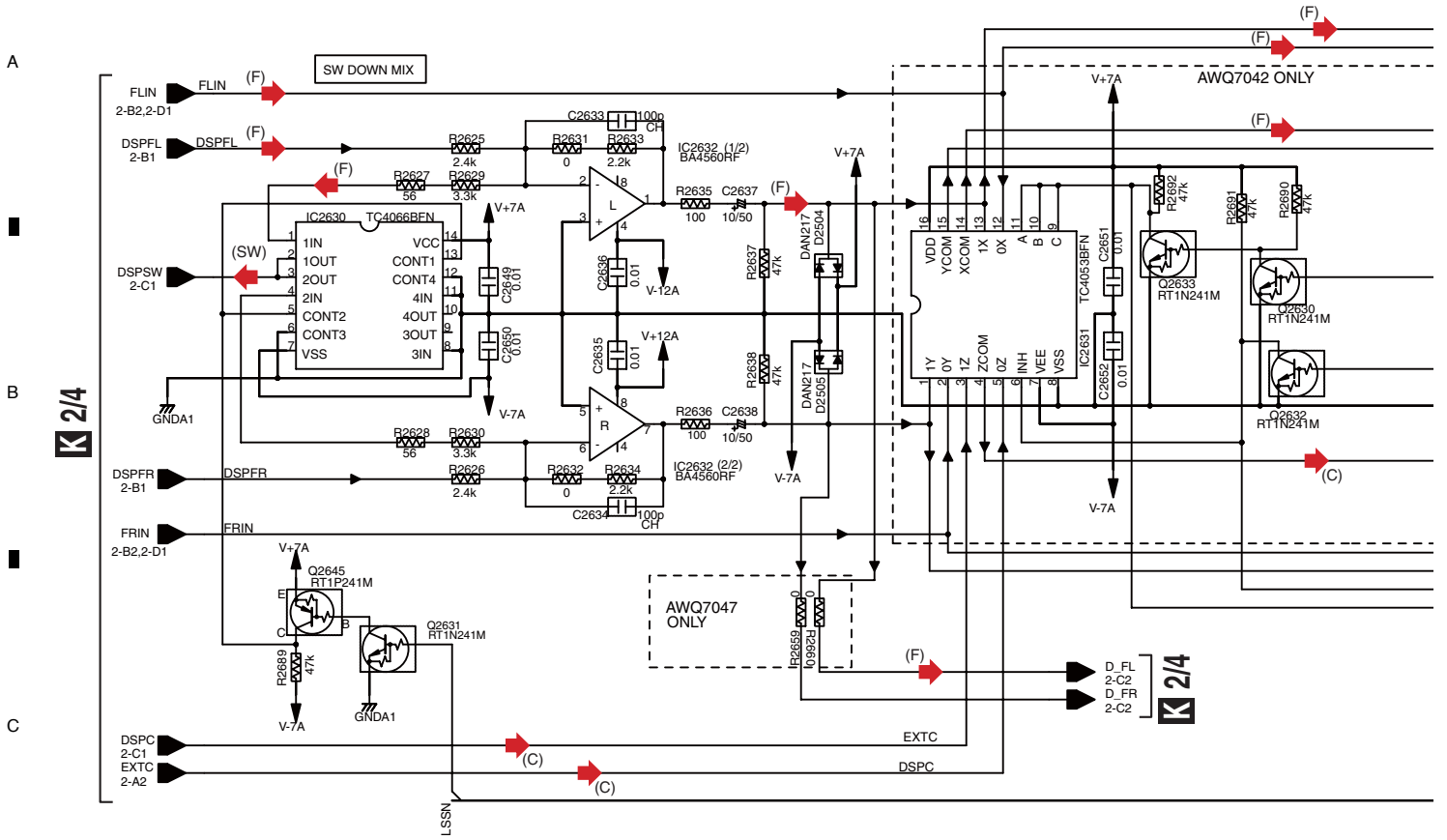
- S(Y) : VIDEO SIGNAL ROUTE S(Y)
- S(C) : VIDEO SIGNAL ROUTE S(C)
- FS(C) : VIDEO SIGNAL ROUTE FS(C)
- MR(C'Site) : VIDEO SIGNAL ROUTE MR(C'Site)
- FS(Y) : VIDEO SIGNAL ROUTE FS(Y)
- VCS(Y) : VIDEO SIGNAL ROUTE VCS(Y)
- VCS(C) : VIDEO SIGNAL ROUTE VCS(C)

F CN5442

VSX-LX70

J

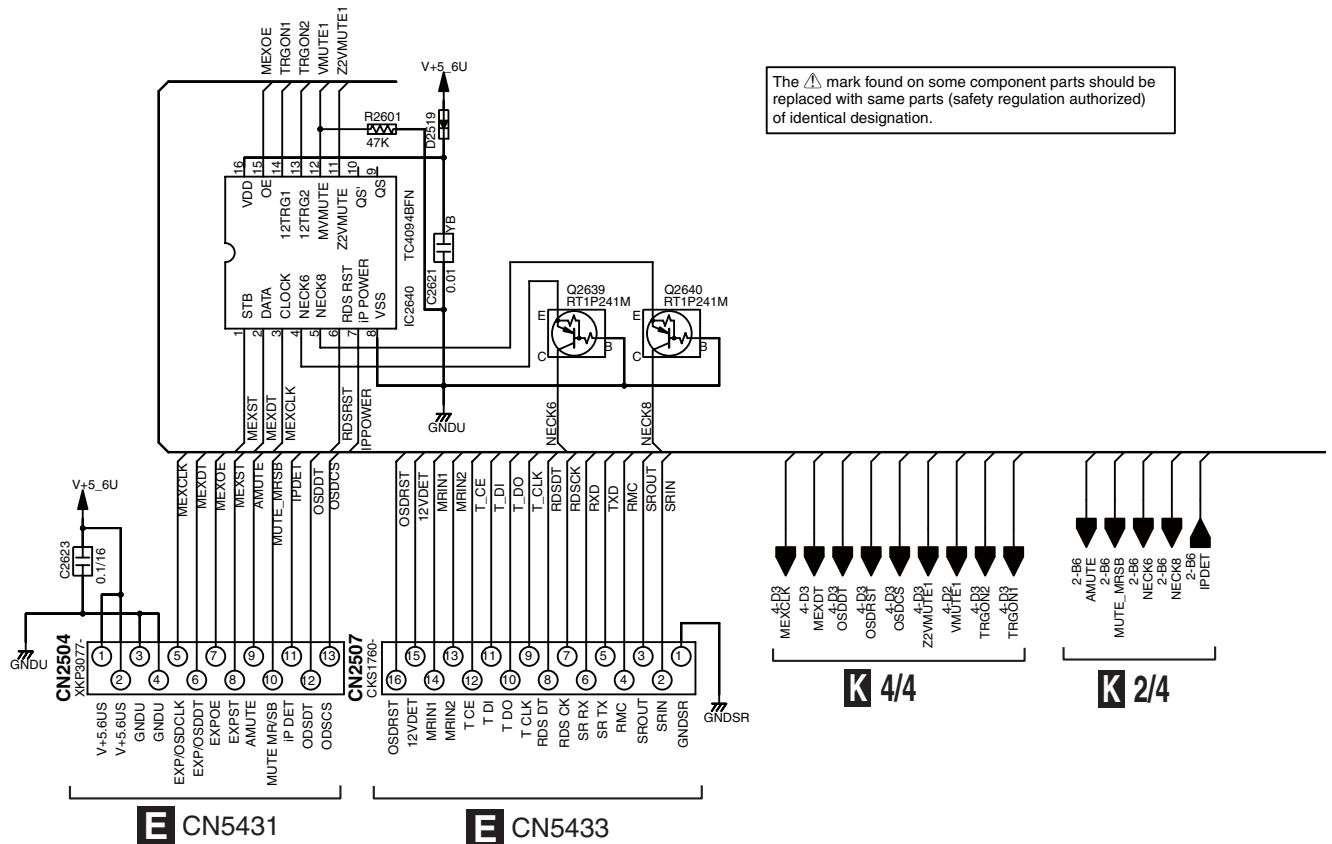
10.7 COMPONENT & VOL ASSY (1/4)



	L	H
XLSSN		
IC2630[CONT]	H	L
SW DOWNMIX	ON	OFF

CDMIX	DSPIN	IC2631			IC2635		SELECT
		A	B	C	INH	A	
L	H	H	H	H	L	H	DSP Direct
L	L	L	L	L	H	L	Analog Direct
H	H	H	H	H	L	L	DSP Downmix
H	L	L	L	L	L	L	Analog Downmix

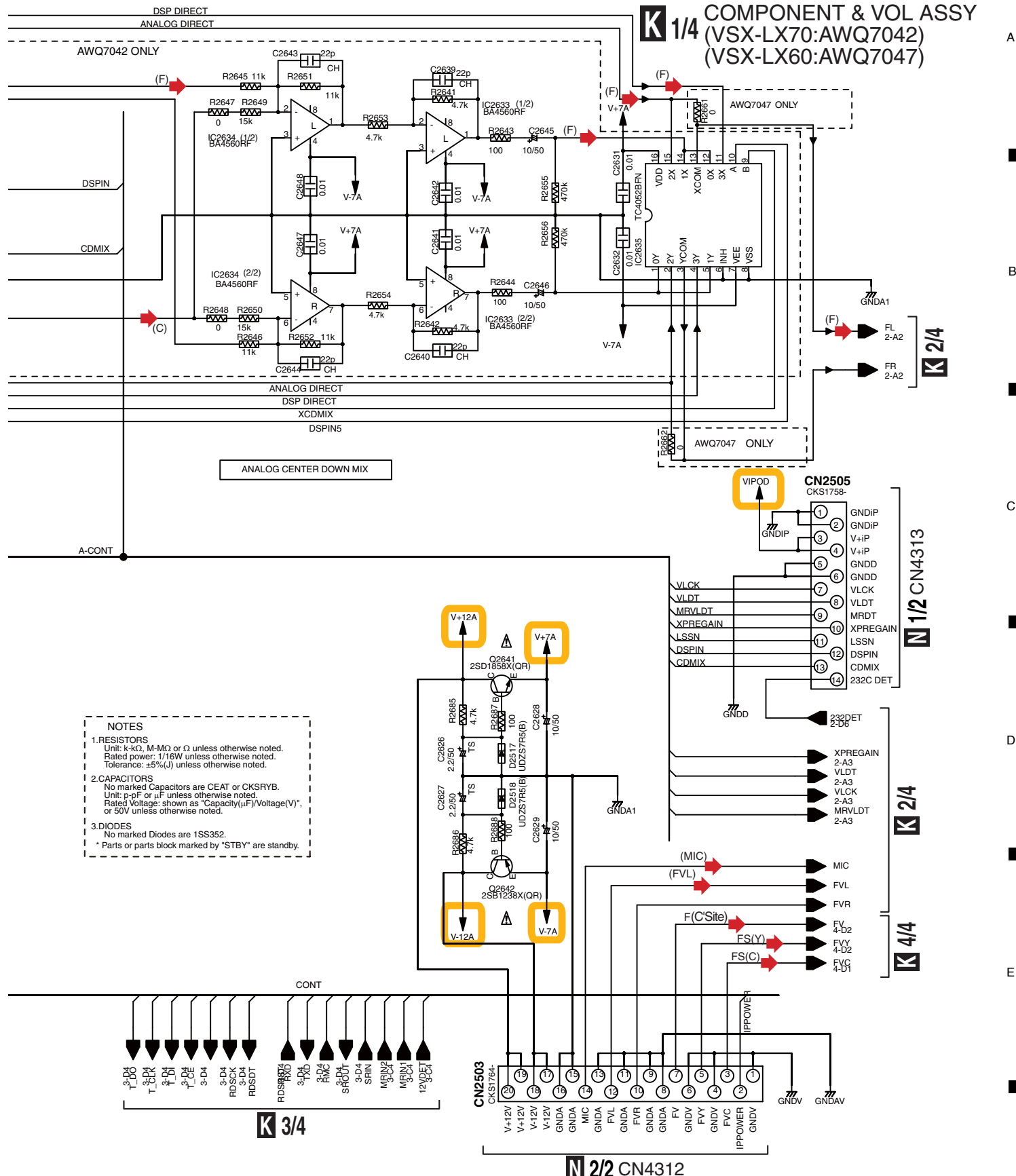
The Δ mark found on some component parts should be replaced with same parts (safety regulation authorized) of identical designation.



K 1/4

E CN5431

E CN5433



NOTES

1. RESISTORS
Unit: k-kΩ, M-MΩ or Ω unless otherwise noted.
Rated power: 1/16W unless otherwise noted.
Tolerance: ±5%(J) unless otherwise noted.

2. CAPACITORS
No marked Capacitors are CEAT or CKSRYB.
Unit: p-pF or μF unless otherwise noted.
Rated Voltage: shown as "Capacity(μF)/Voltage(V)", or 50V unless otherwise noted.

3. DIODES
No marked Diodes are 1SS352.
* Parts or parts block marked by "STBY" are standby.

- (F) → : AUDIO SIGNAL ROUTE(F)
- (C) → : AUDIO SIGNAL ROUTE(C)
- (SW) → : AUDIO SIGNAL ROUTE(SW)
- (MIC) → : AUDIO SIGNAL ROUTE(MIC)
- (FVL) → : AUDIO SIGNAL ROUTE(VIDEO2)
- F(C'Site) → : VIDEO SIGNAL ROUTE F(C'Site)
- FS(C) → : VIDEO SIGNAL ROUTE FS(C)
- FS(Y) → : VIDEO SIGNAL ROUTE FS(Y)

VSX-LX70

10.8 COMPONENT & VOL ASSY (2/4)

1 2 3 4

- (F) : AUDIO SIGNAL ROUTE(F)
- (C) : AUDIO SIGNAL ROUTE(C)
- (S) : AUDIO SIGNAL ROUTE(S)
- (TL) : AUDIO SIGNAL ROUTE(TUNER)
- (MR) : AUDIO SIGNAL ROUTE(MR)
- (SB) : AUDIO SIGNAL ROUTE(SB)
- (SW) : AUDIO SIGNAL ROUTE(SW)
- (MIC) : AUDIO SIGNAL ROUTE(MIC)
- (FVL) : AUDIO SIGNAL ROUTE(VIDEO2)



A
B
C
D
E
F

H CN5451

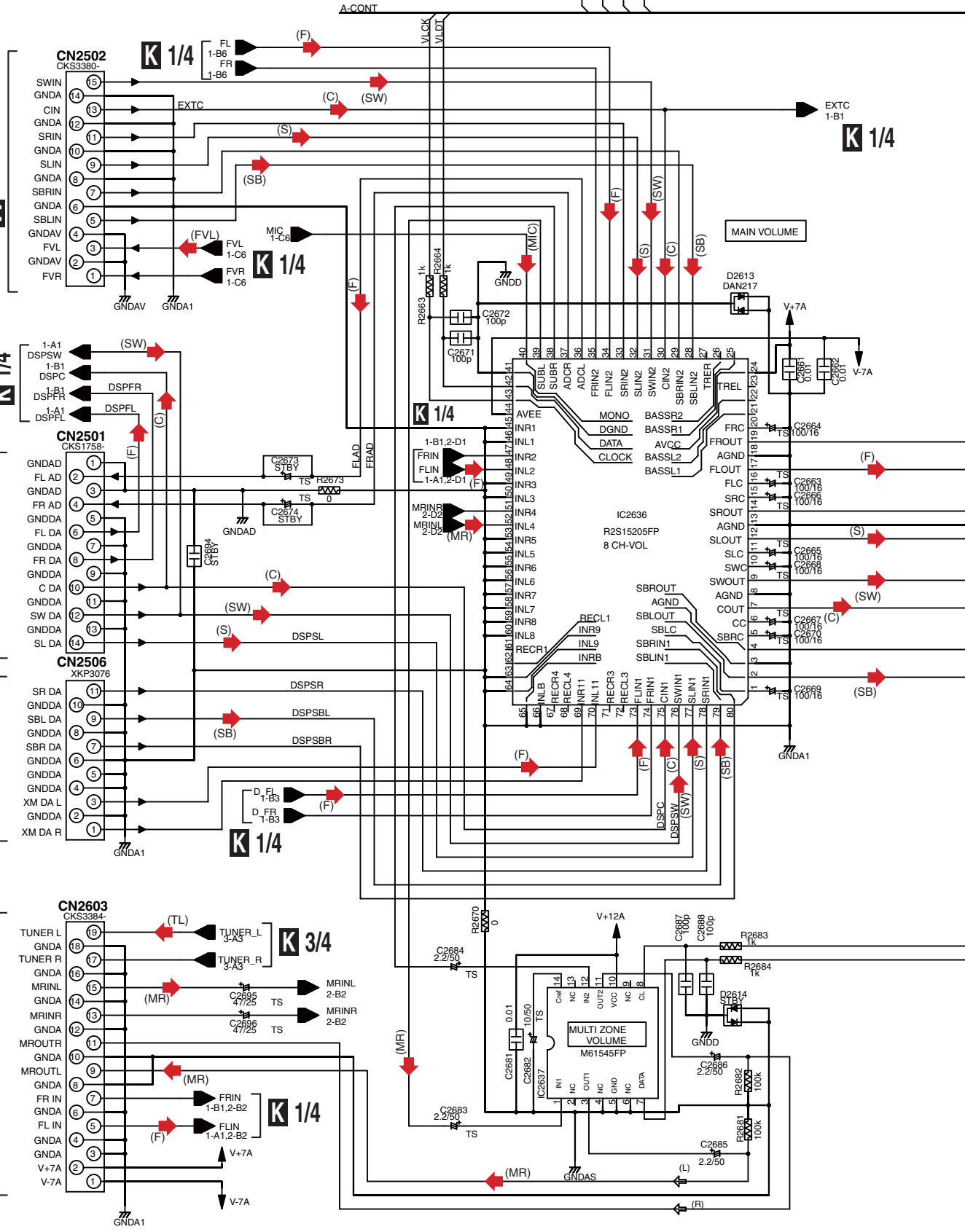
K 1/4

N 1/2 CN4311

N 1/2 CN4310

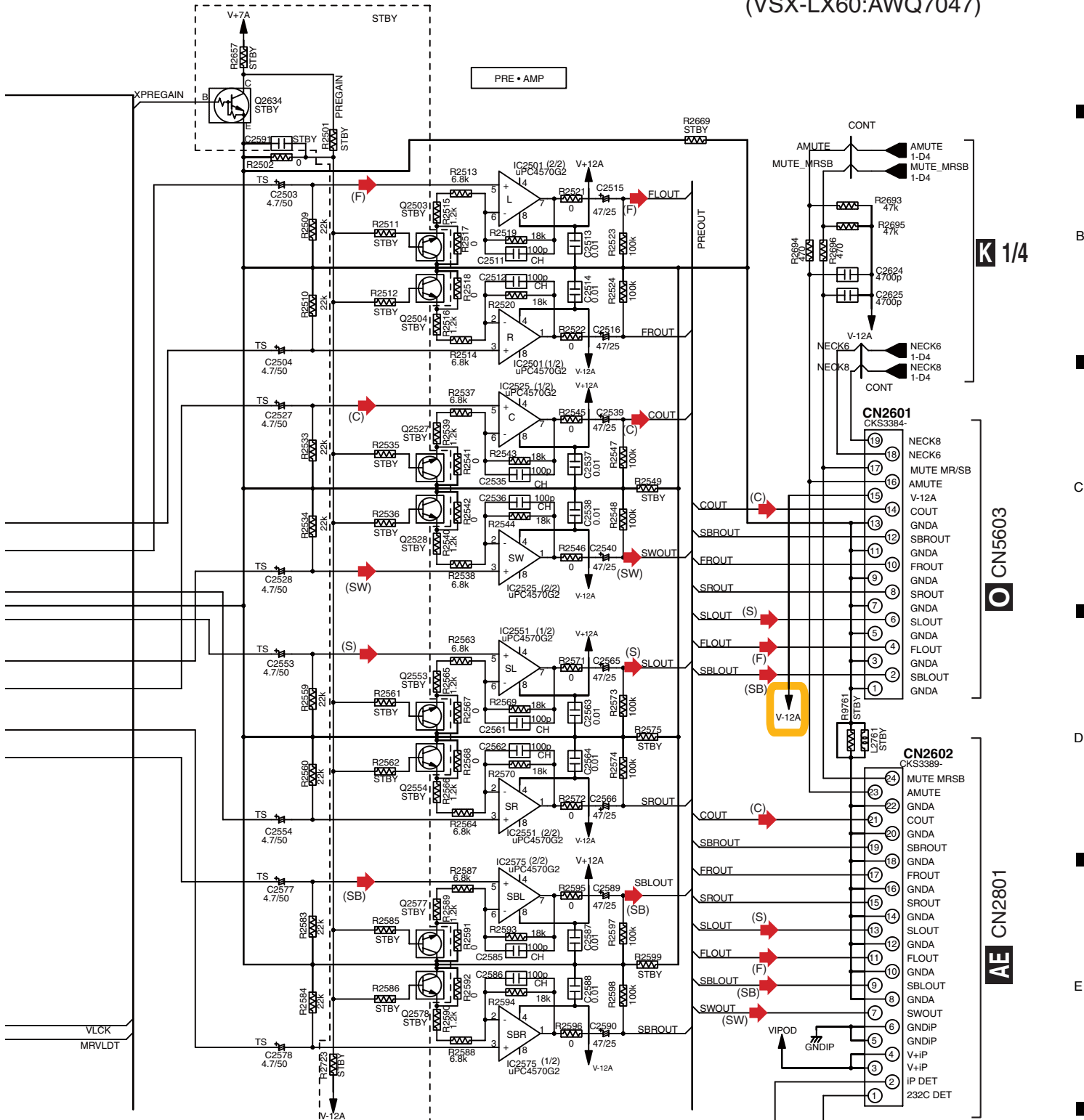
H CN5452

K 2/4



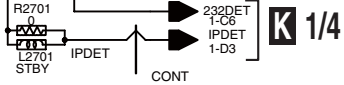
1 2 3 4

K 2/4 COMPONENT & VOL ASSY (VSX-LX70:AWQ7042) (VSX-LX60:AWQ7047)



- NOTES**
- RESISTORS**
Unit: k-k Ω , M-M Ω or Ω unless otherwise noted.
Rated power: 1/16W unless otherwise noted.
Tolerance: $\pm 5\%$ (J) unless otherwise noted.
 - CAPACITORS**
No marked Capacitors are CEAT or CKSRYB.
Unit: p-pF or μ F unless otherwise noted.
Rated Voltage: shown as "Capacity(μ F)/Voltage(V)",
or 50V unless otherwise noted.
 - DIODES**
No marked Diodes are 1SS352.
* Parts or parts block marked by "STBY" are standby.

The \triangle mark found on some component parts should be replaced with same parts (safety regulation authorized) of identical designation.

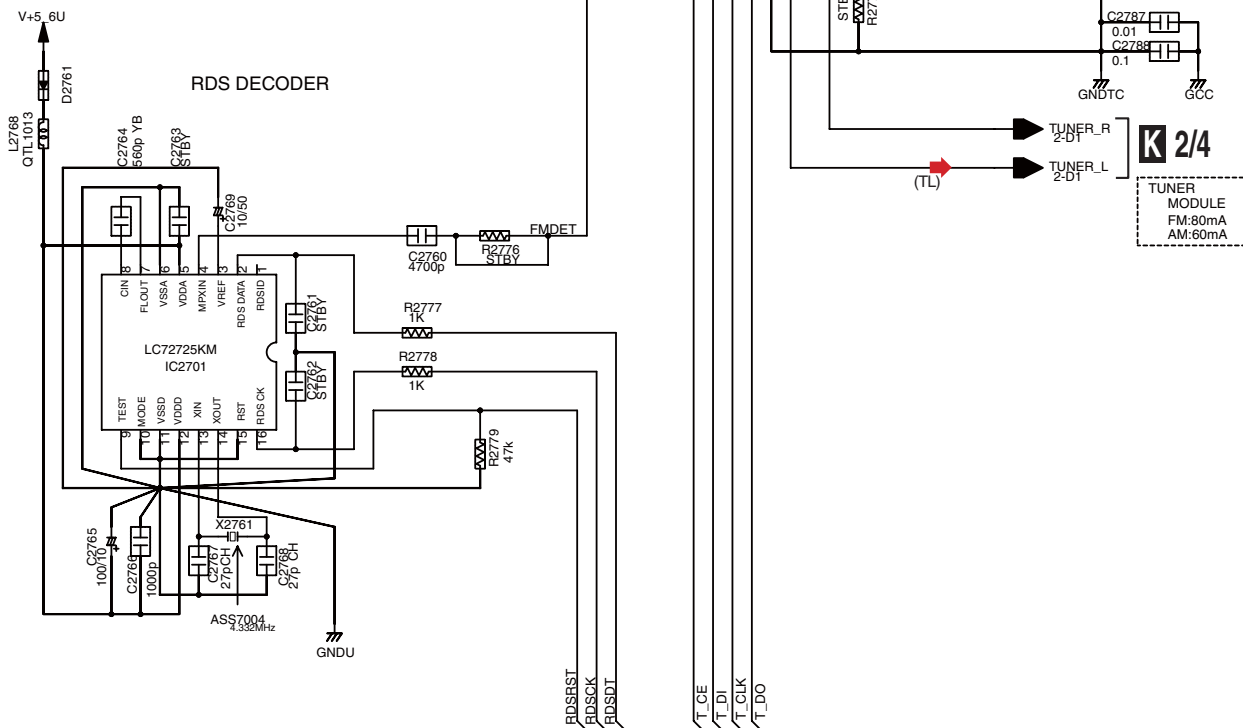


10.9 COMPONENT & VOL ASSY (3/4)

The Δ mark found on some component parts should be replaced with same parts (safety regulation authorized) of identical designation.

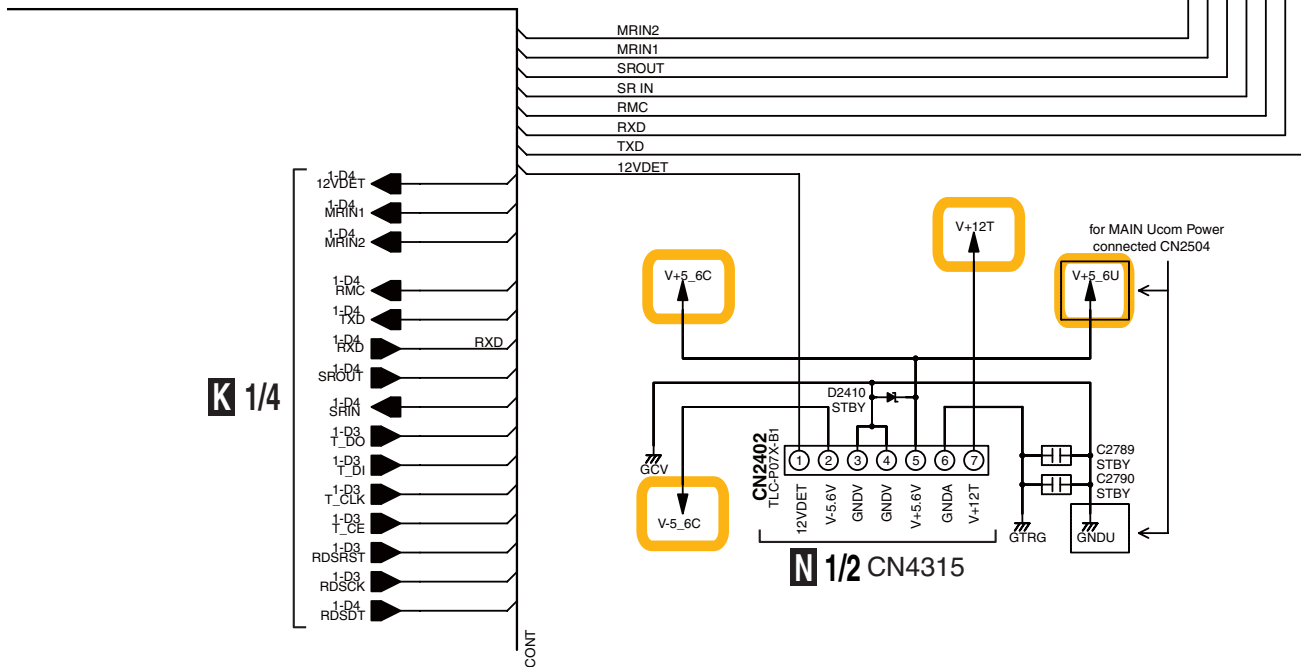
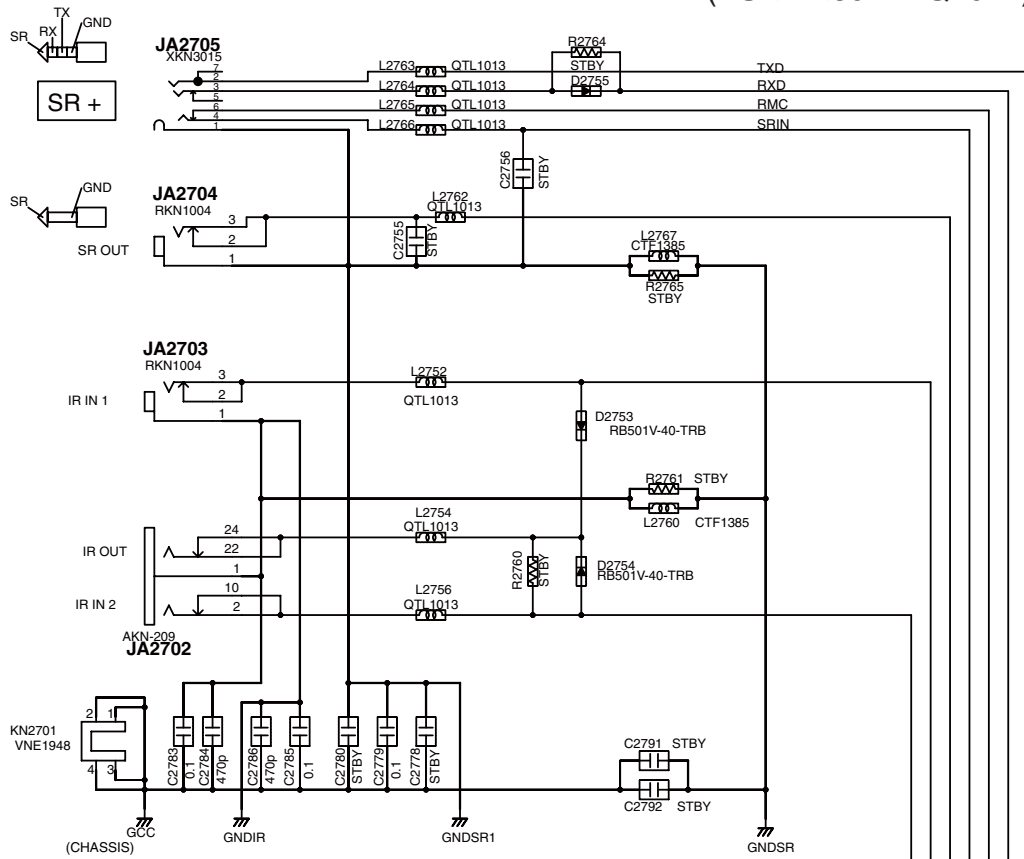
NOTES

1. RESISTORS
Unit: k-K Ω , M-M Ω or Ω unless otherwise noted.
Rated power: 1/16W unless otherwise noted.
Tolerance: $\pm 5\%$ (J) unless otherwise noted.
2. CAPACITORS
No marked Capacitors are CEAT or CKSRYB.
Unit: p-pF or μ F unless otherwise noted.
Rated Voltage: shown as "Capacity(μ F)/Voltage(V)", or 50V unless otherwise noted.
3. DIODES
No marked Diodes are 1SS352.
* Parts or parts block marked by "STBY" are standby.



(TL) \rightarrow : AUDIO SIGNAL ROUTE(TUNER)

K 3/4 COMPONENT & VOL ASSY
 (VSX-LX70:AWQ7042)
 (VSX-LX60:AWQ7047)



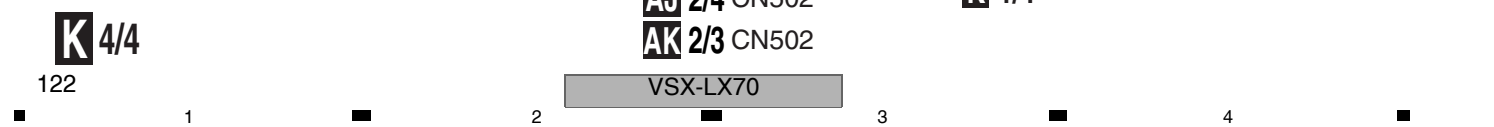
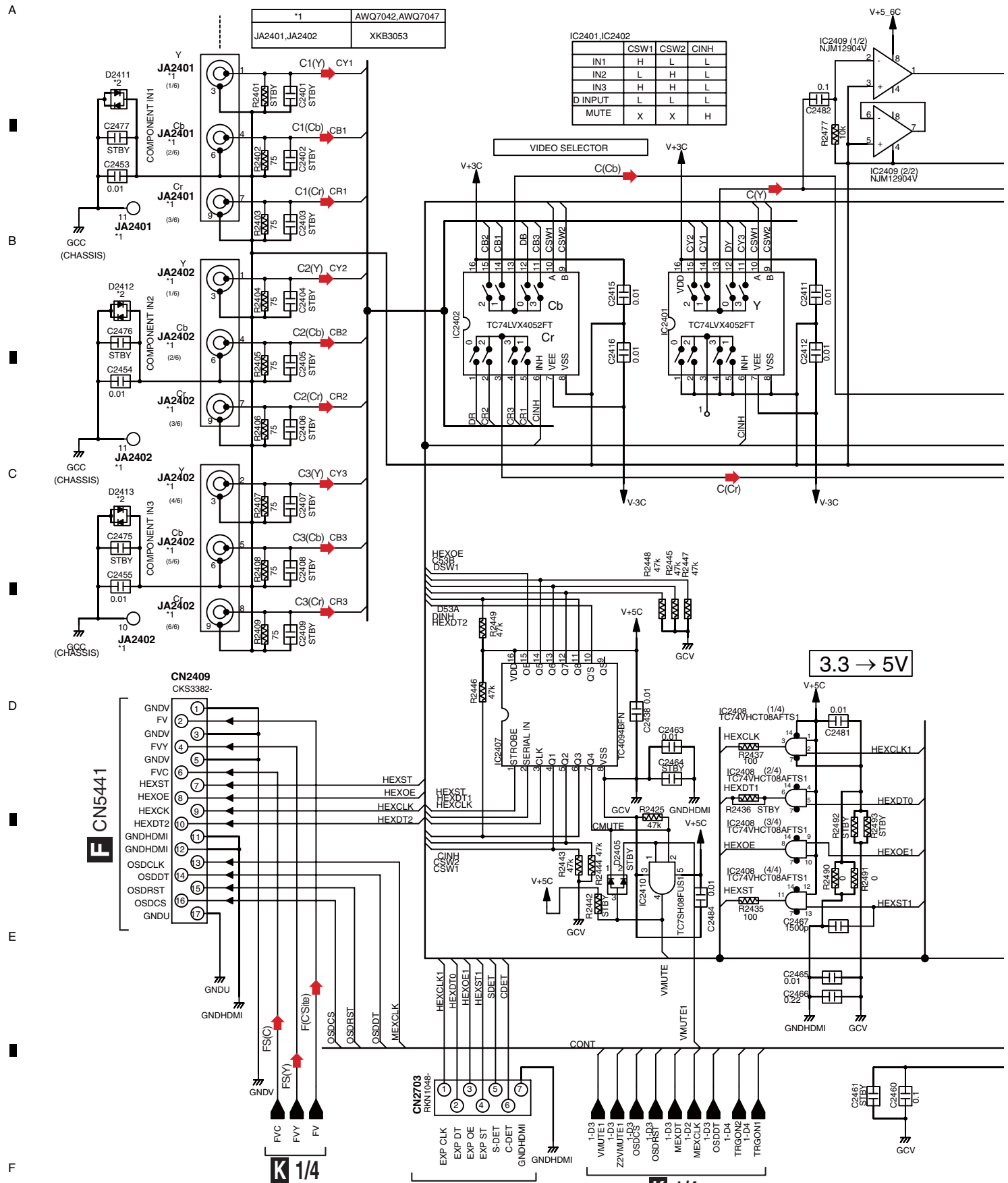
K 1/4

N 1/2 CN4315

VSX-LX70

K 3/4

10.10 COMPONENT & VOL ASSY (4/4)



K4/4 COMPONENT & VOL ASSY (VSX-LX70:AWQ7042) (VSX-LX60:AWQ7047)

C DET

NOTES

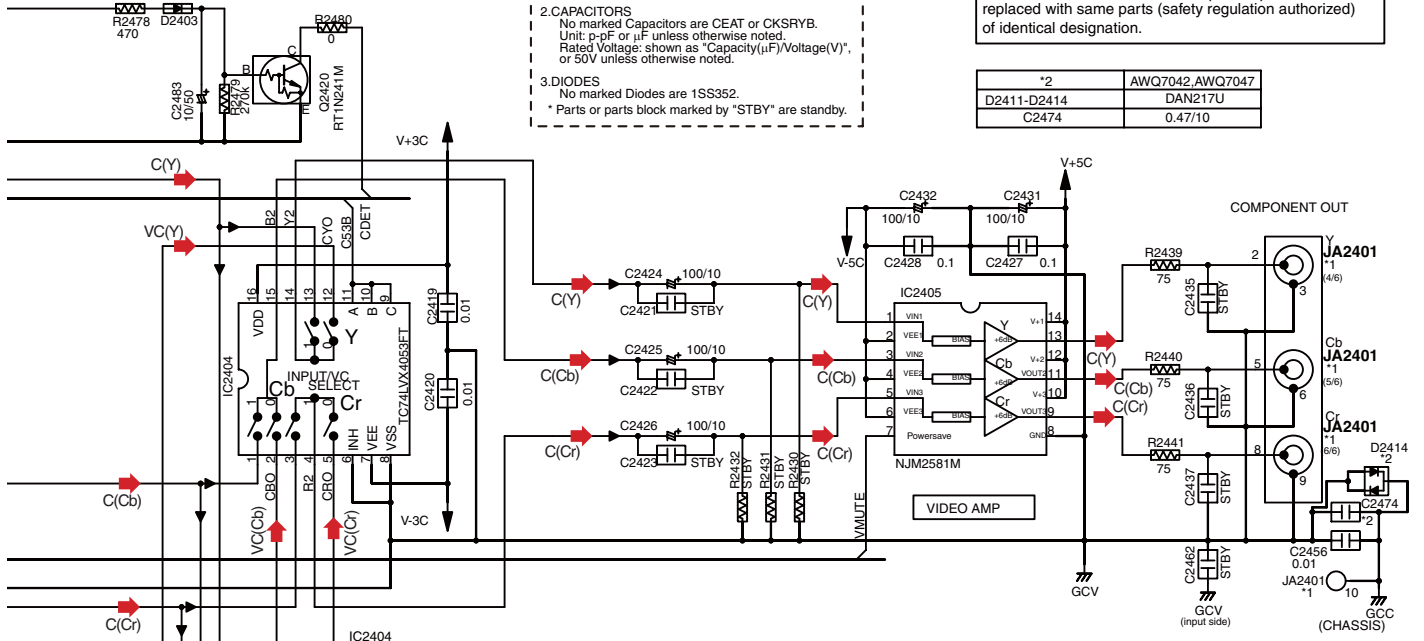
1. RESISTORS
Unit: k-k Ω , M-M Ω or Ω unless otherwise noted.
Rated power: 1/16W unless otherwise noted.
Tolerance: $\pm 5\%$ (J) unless otherwise noted.

2. CAPACITORS
No marked Capacitors are CEAT or CKSRYB.
Unit: p-pF or μ F unless otherwise noted.
Rated Voltage: shown as "Capacity(μ F)/Voltage(V)", or 50V unless otherwise noted.

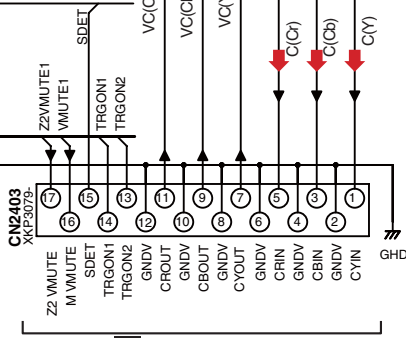
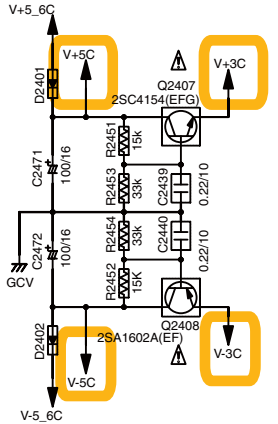
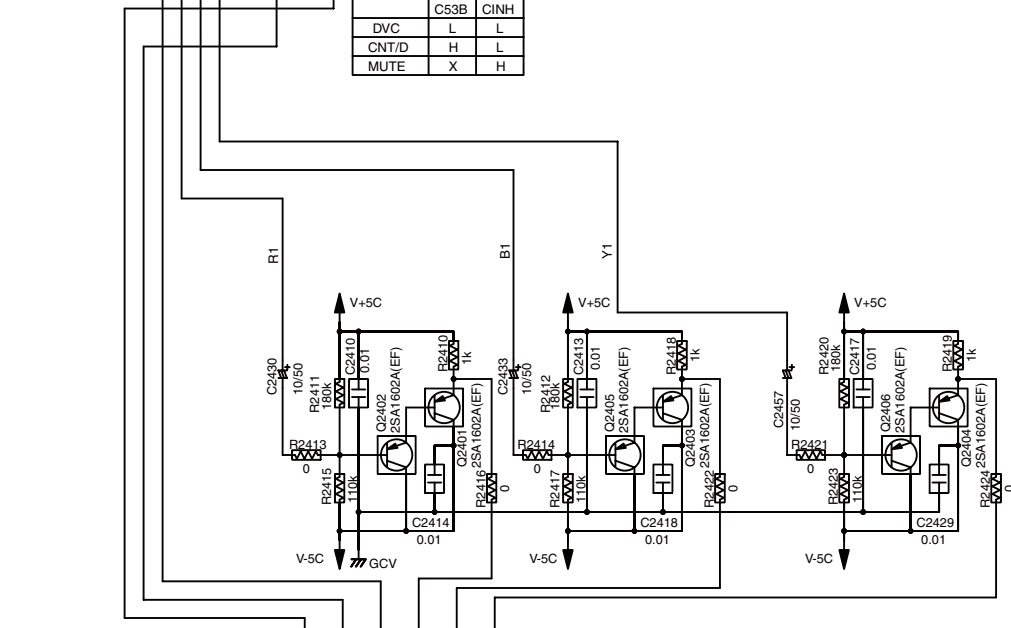
3. DIODES
No marked Diodes are 1SS352.
* Parts or parts block marked by "STBY" are standby.

The Δ mark found on some component parts should be replaced with same parts (safety regulation authorized) of identical designation.

*2	AWQ7042,AWQ7047
D2411-D2414	DAN217U
C2474	0.47/10



	C53B	CINH
DVC	L	L
CNT/D	H	L
MUTE	X	H



1/2 CN4314

- C1(Y) : VIDEO SIGNAL ROUTE C1(Y)
- C1(Cb) : VIDEO SIGNAL ROUTE C1(Cb)
- C1(Cr) : VIDEO SIGNAL ROUTE C1(Cr)
- C2(Y) : VIDEO SIGNAL ROUTE C2(Y)
- C2(Cb) : VIDEO SIGNAL ROUTE C2(Cb)
- C2(Cr) : VIDEO SIGNAL ROUTE C2(Cr)
- C3(Y) : VIDEO SIGNAL ROUTE C3(Y)
- C3(Cb) : VIDEO SIGNAL ROUTE C3(Cb)
- C3(Cr) : VIDEO SIGNAL ROUTE C3(Cr)
- F(CSite) : VIDEO SIGNAL ROUTE F(CSite)
- FS(C) : VIDEO SIGNAL ROUTE FS(C)
- FS(Y) : VIDEO SIGNAL ROUTE FS(Y)
- C(Y) : VIDEO SIGNAL ROUTE C(Y)
- C(Cb) : VIDEO SIGNAL ROUTE C(Cb)
- C(Cr) : VIDEO SIGNAL ROUTE C(Cr)
- VC(Cr) : VIDEO SIGNAL ROUTE VC(Cr)
- VC(Cb) : VIDEO SIGNAL ROUTE VC(Cb)
- VC(Y) : VIDEO SIGNAL ROUTE VC(Y)

10.11 DIGITAL MOTHER ASSY (1/7)

1

2

3

4

AC CN3301

P CN5703

V+5.65TIN

7/7

2/7

3/7

1/7

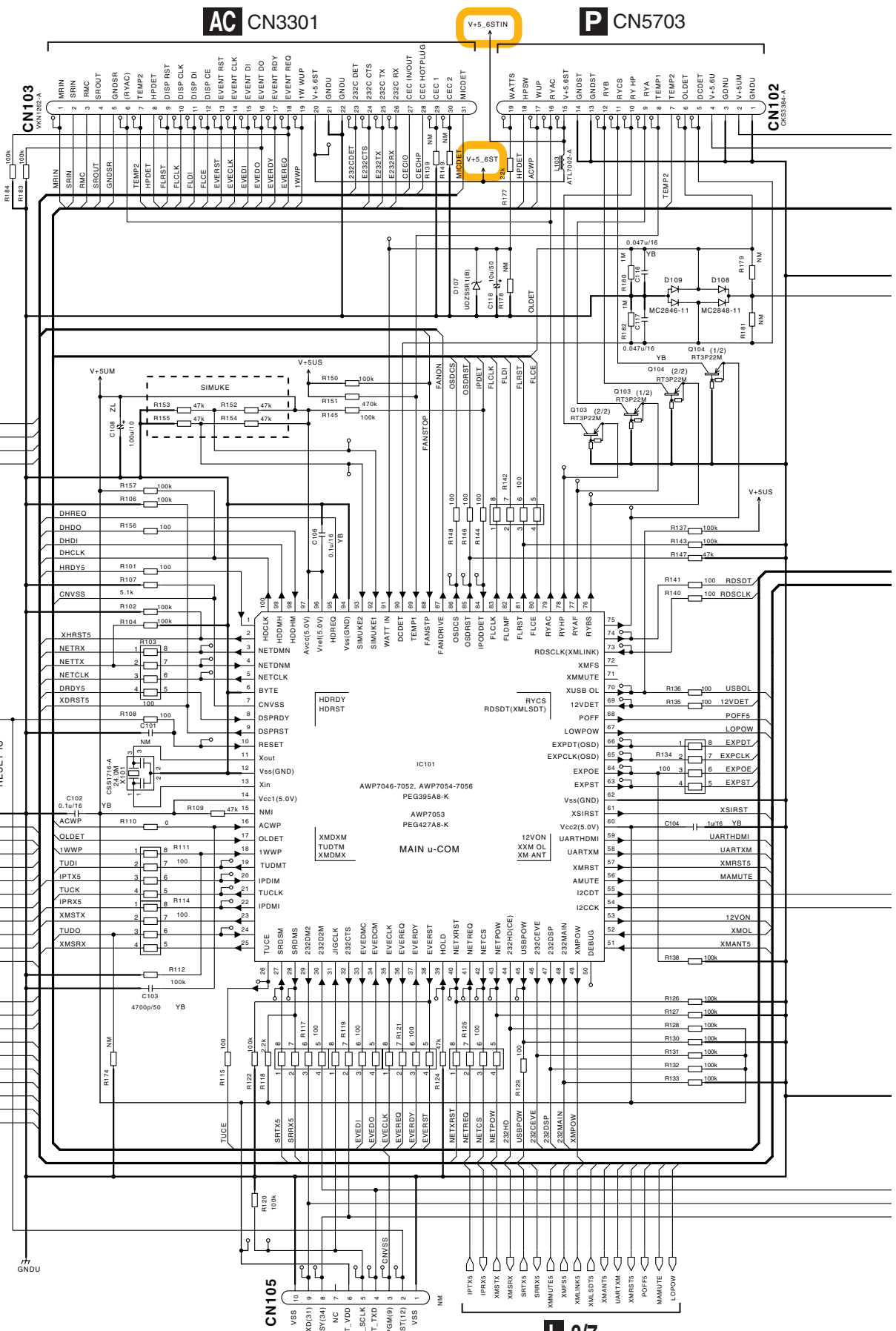
1

2

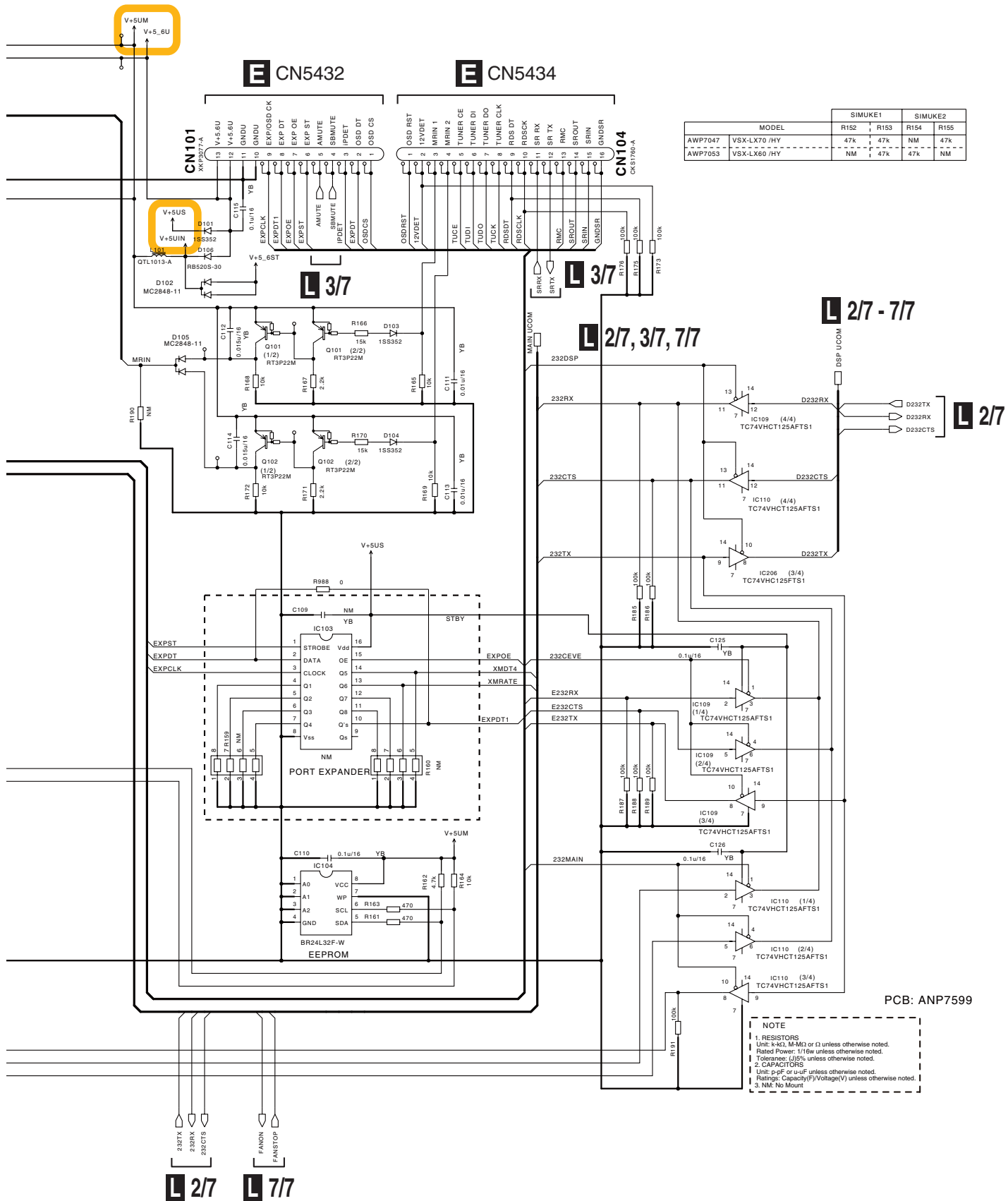
3

4

A
B
C
D
E
F



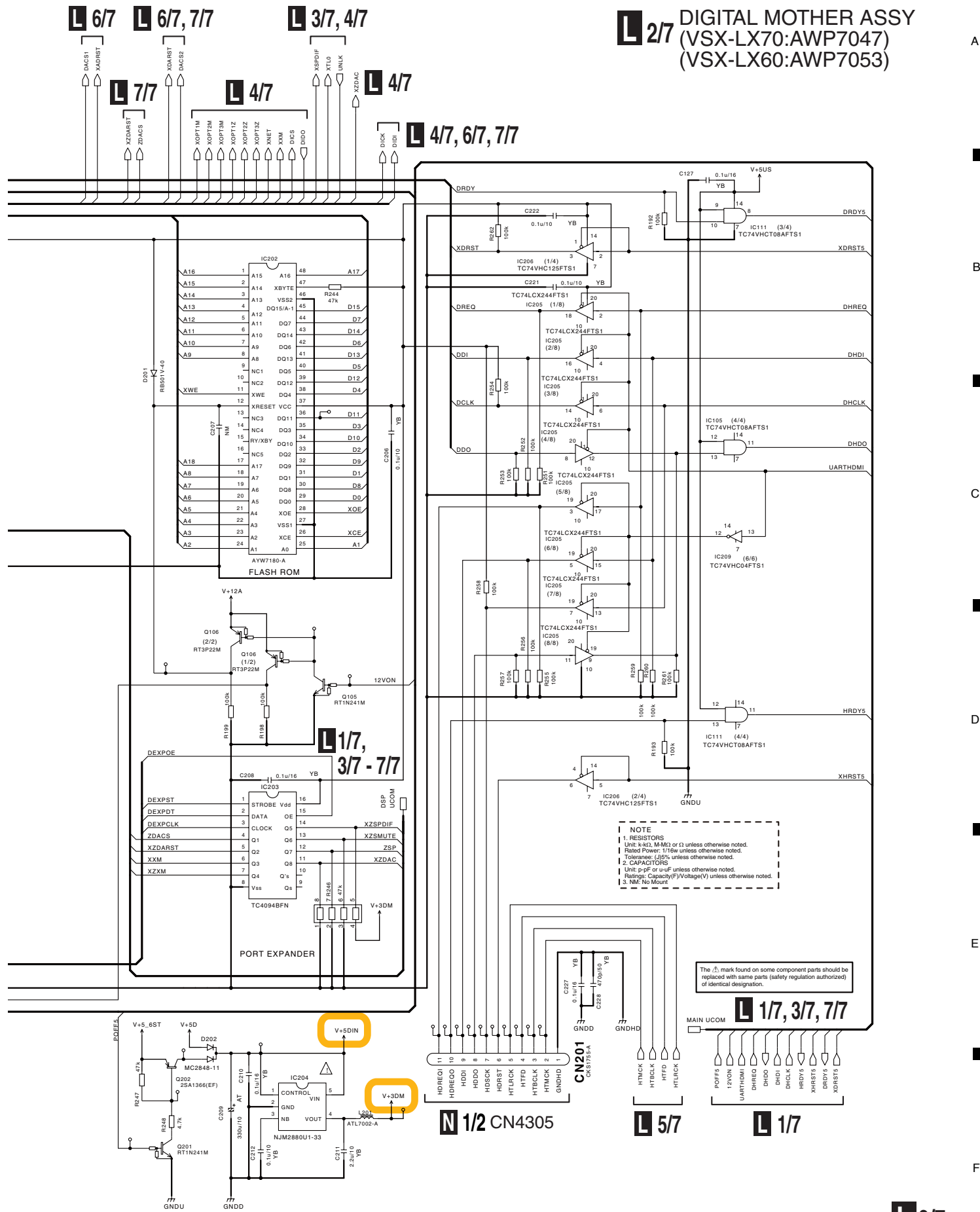
L 1/7 DIGITAL MOTHER ASSY (VSX-LX70:AWP7047) (VSX-LX60:AWP7053)



NOTE

- RESISTORS
Unit: k-k1, M-M2 or Ω unless otherwise noted.
Rated Power: 1/16w unless otherwise noted.
Tolerance: ±1% unless otherwise noted.
- CAPACITORS
Unit: p-pF or μ-pF unless otherwise noted.
Rating: Capacity(F)/Voltage(V) unless otherwise noted.
S. NM: No Mount

PCB: ANP7599



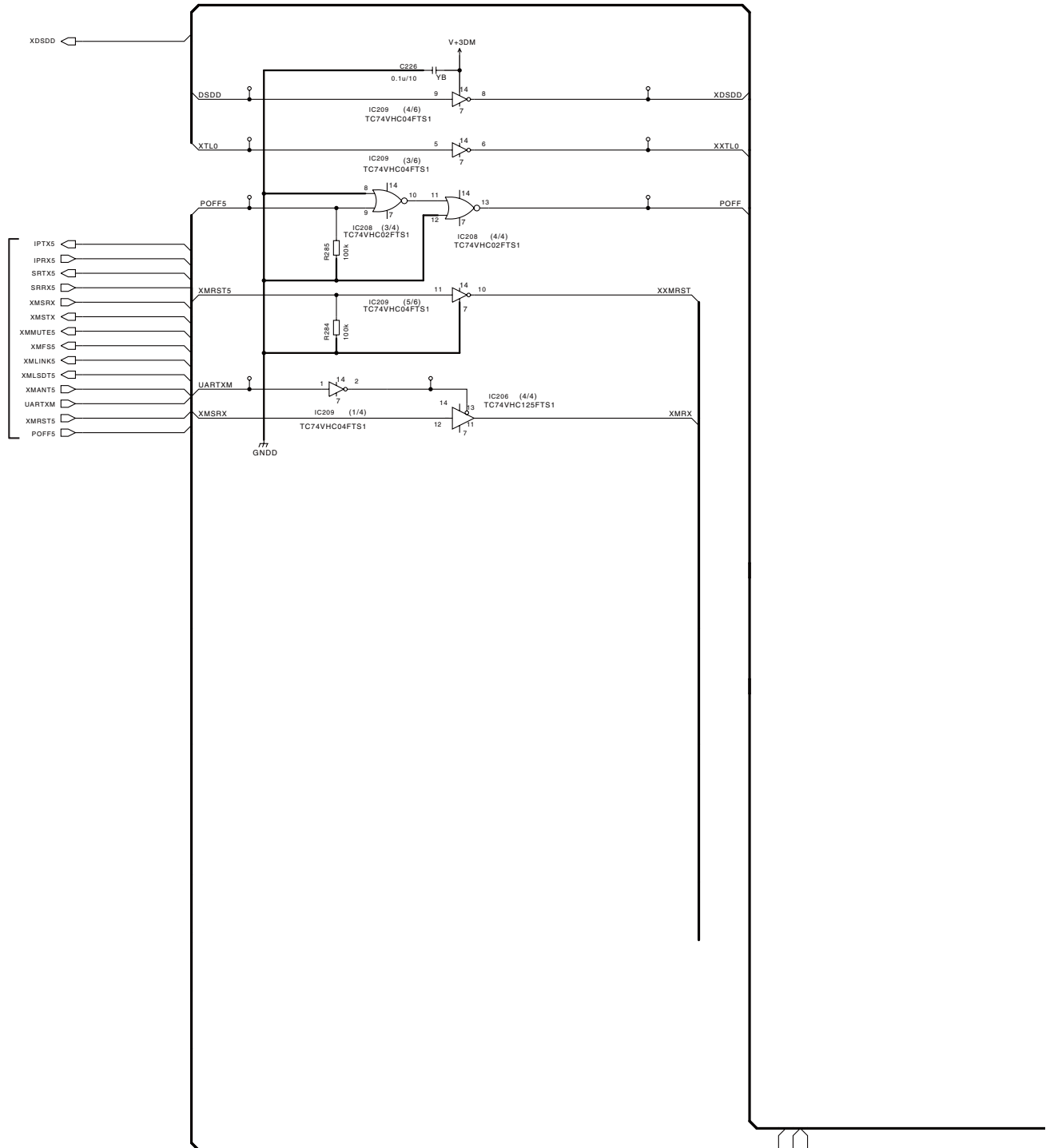
10.13 DIGITAL MOTHER ASSY (3/7)

A
B
C
D
E
F

5/7

1/7

4/7



3/7

L 3/7 DIGITAL MOTHER ASSY
 (VSX-LX70:AWP7047)
 (VSX-LX60:AWP7053)

L 1/7, 2/7, 7/7

L 1/7, 2/7, 4/7 - 7/7

L 5/7

L 1/7

L 2/7

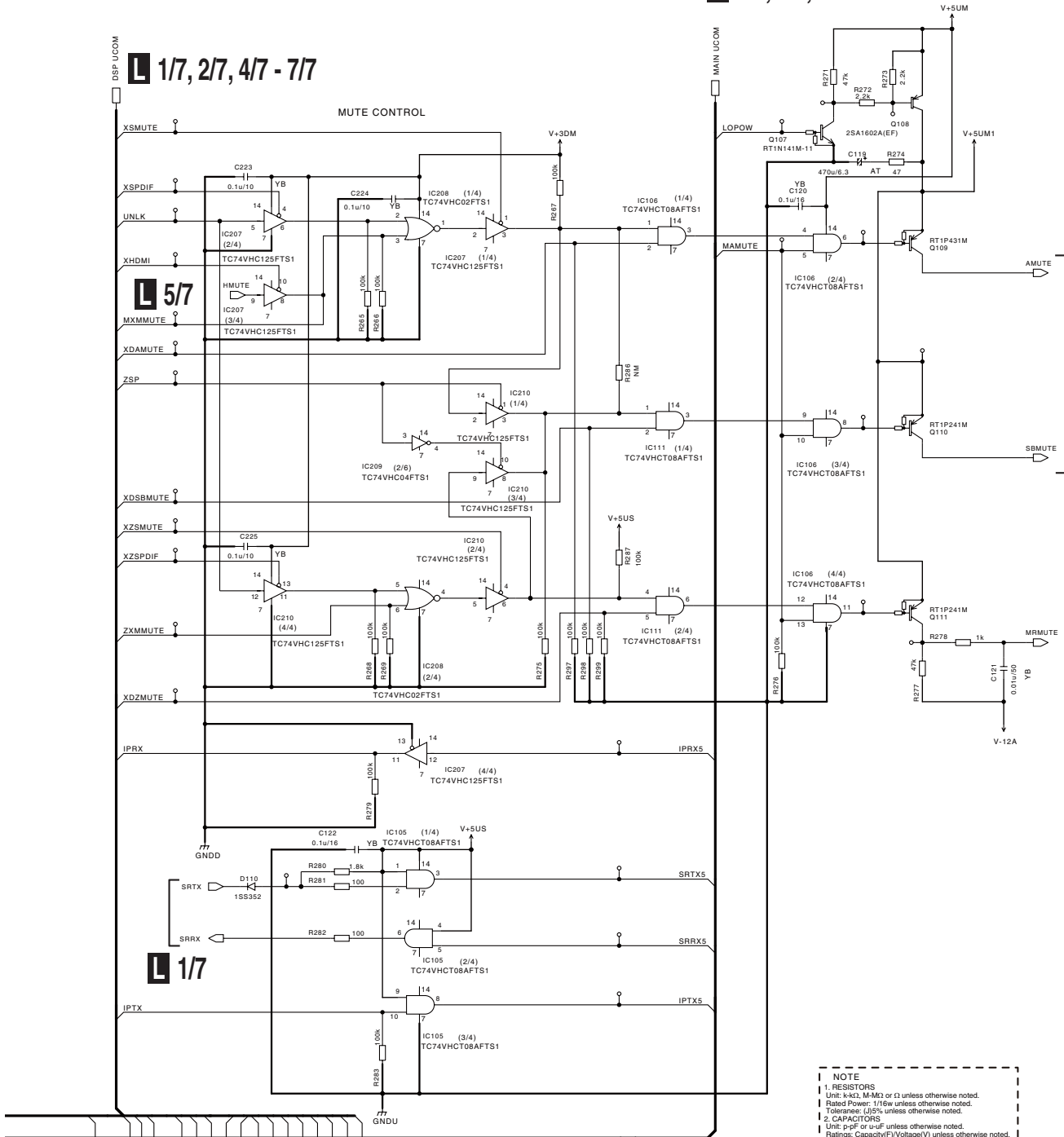
L 1/7

L 2/7, 5/7

L 2/7, 4/7

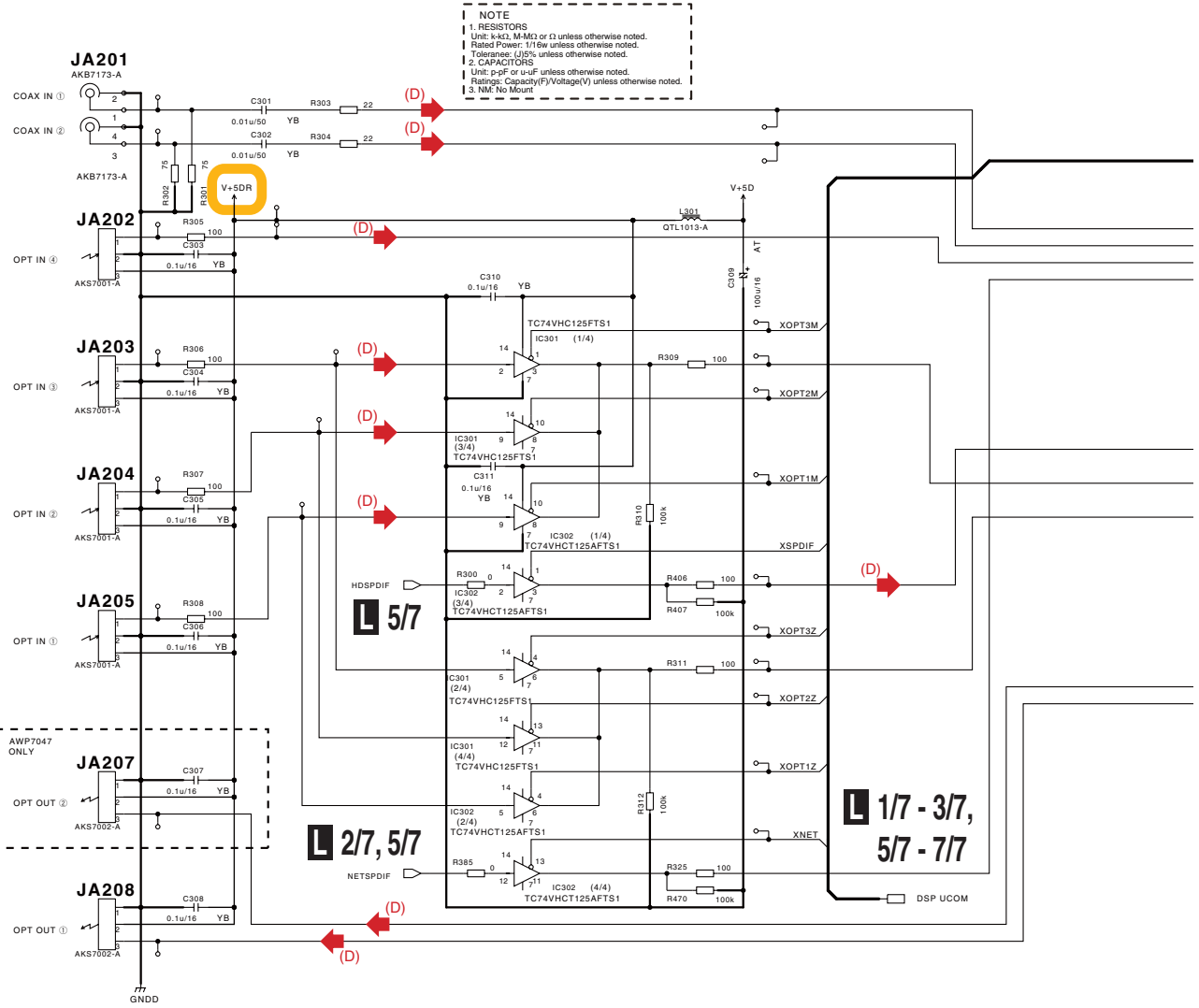
L 2/7

L 1/7

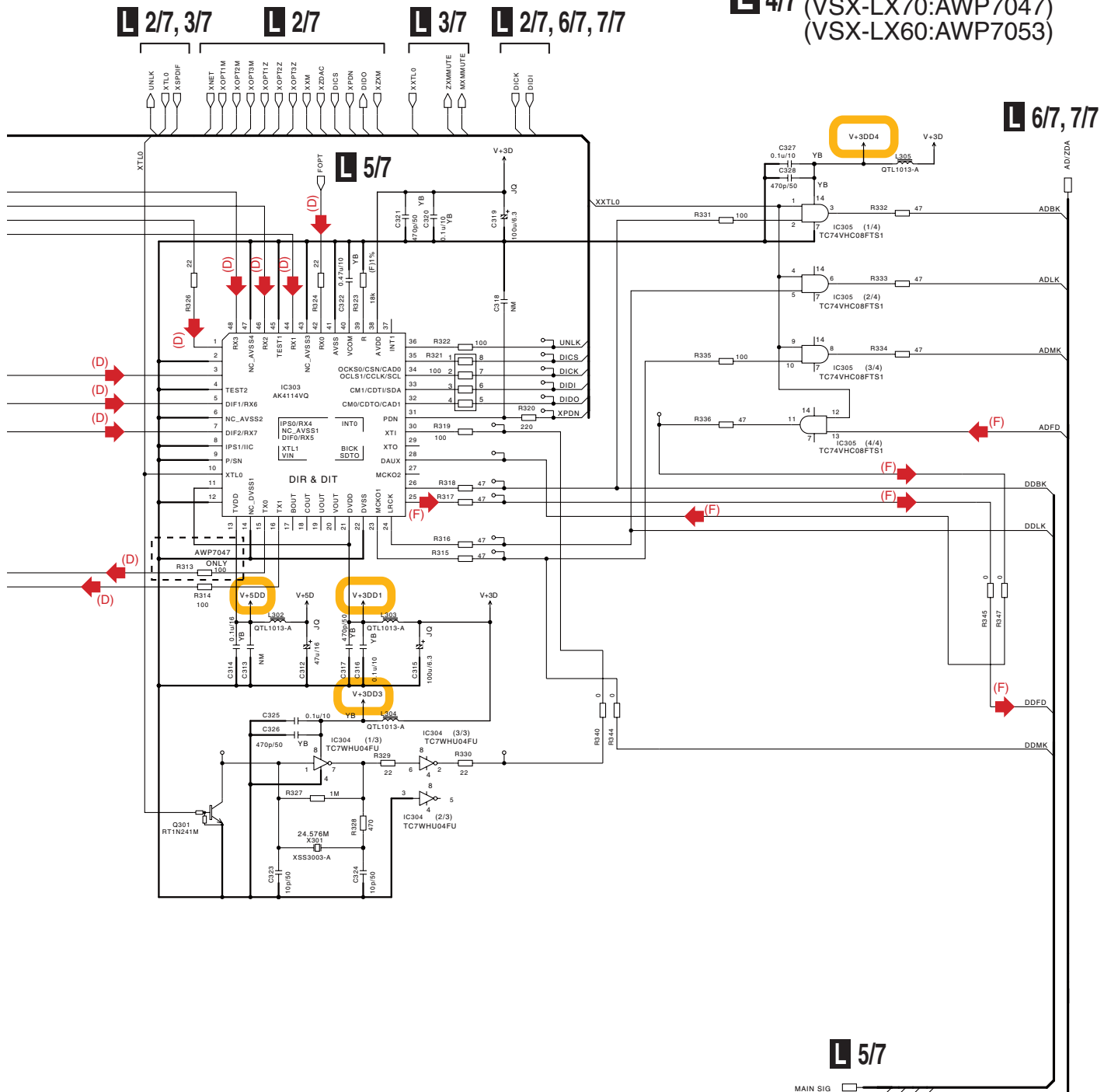


NOTE
 1. RESISTORS
 Unit: k=K, M=M, Ω or Ω unless otherwise noted.
 Rated Power: 1/16w unless otherwise noted.
 Tolerance: J=5% unless otherwise noted.
 2. CAPACITORS
 Unit: p=pF or u=uF unless otherwise noted.
 Ratings: Capacitance(V)/Voltage(V) unless otherwise noted.
 3. NM: No Mount

10.14 DIGITAL MOTHER ASSY (4/7)

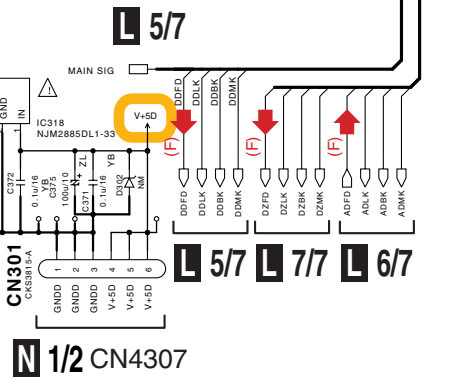


L 4/7 DIGITAL MOTHER ASSY
 (VSX-LX70:AWP7047)
 (VSX-LX60:AWP7053)



The Δ mark found on some component parts should be replaced with same parts (safety regulation authorized) of identical designation.

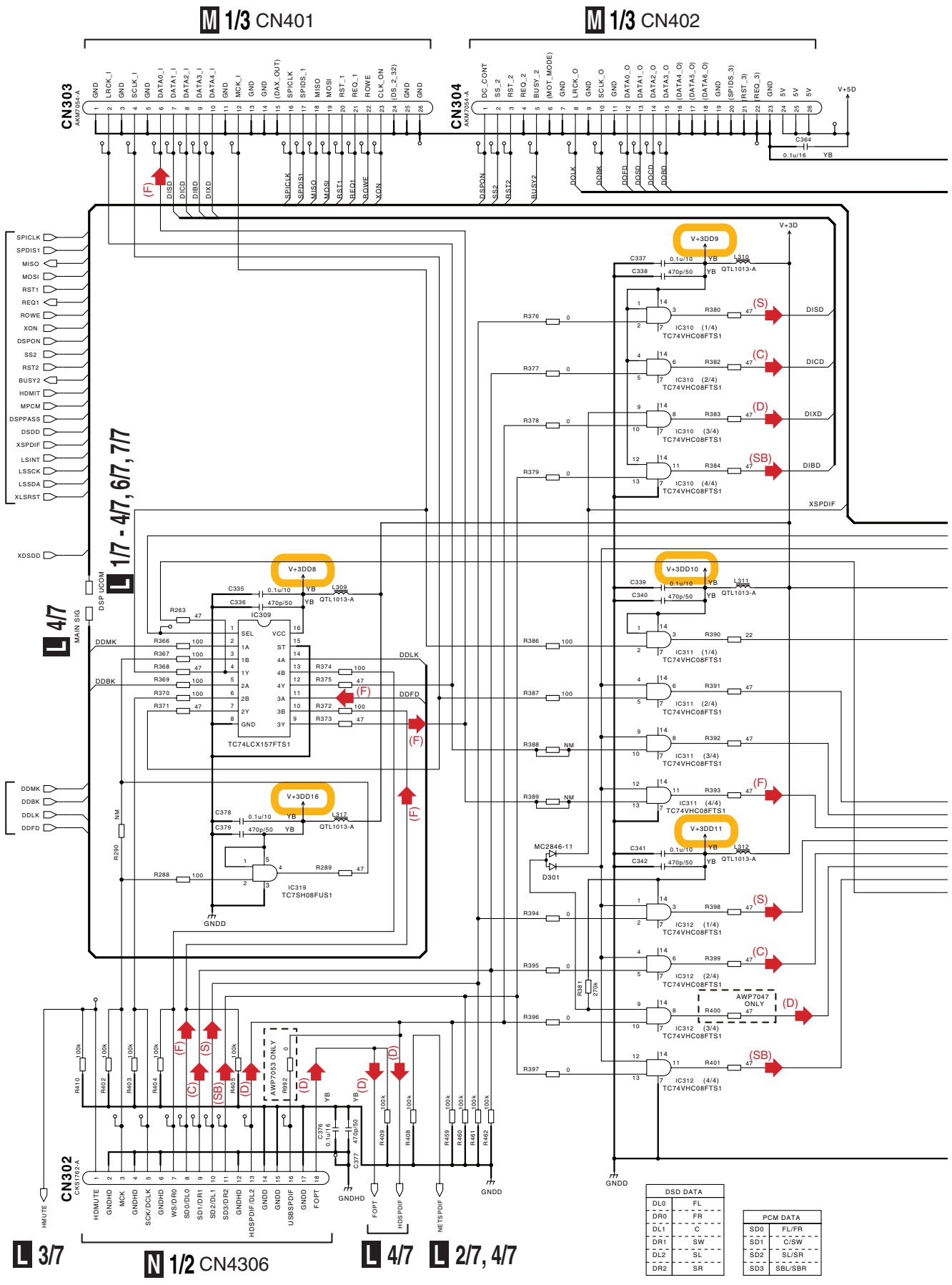
- (F) : AUDIO SIGNAL ROUTE(F)
- (D) : AUDIO SIGNAL ROUTE(SPDIF)



L 5/7
N 1/2 CN4307

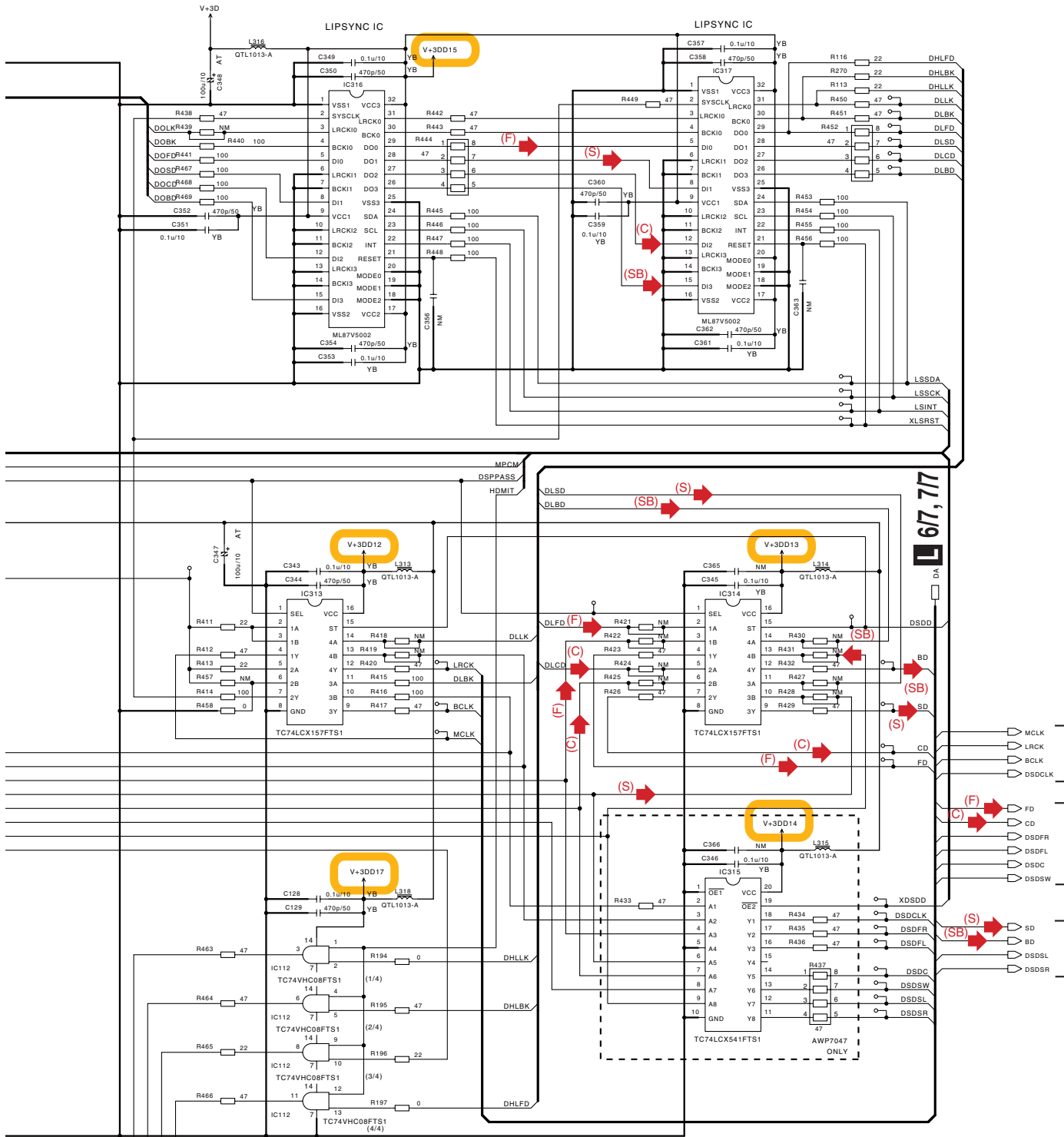
10.15 DIGITAL MOTHER ASSY (5/7)

A
B
C
D
E
F



DSD DATA		PCM DATA	
DL0	FL	SD0	FL/FR
DR0	FR	SD1	C/SW
DL1	C	SD2	SL/SR
DR1	SW	SD3	SBL/SBR
DL2	SL		
DR2	SR		

L 5/7 DIGITAL MOTHER ASSY
 (VSX-LX70:AWP7047)
 (VSX-LX60:AWP7053)



NOTE

- RESISTORS
 Unit: k-Ω, M-Ω or Ω unless otherwise noted.
 Rated Power: 1/16w unless otherwise noted.
 Tolerance: J5% unless otherwise noted.
- CAPACITORS
 Unit: p-pF or u-uF unless otherwise noted.
 Rating: Capacity(V)/Voltage(V) unless otherwise noted.
- NM: No Mount

- (F) : AUDIO SIGNAL ROUTE(F)
- (C) : AUDIO SIGNAL ROUTE(C)
- (S) : AUDIO SIGNAL ROUTE(S)
- (SB) : AUDIO SIGNAL ROUTE(SB)
- (D) : AUDIO SIGNAL ROUTE(D)

L 2/7

VSX-LX70

L 5/7

10.16 DIGITAL MOTHER ASSY (6/7)

1 2 3 4

A
B
C
D
E
F

4/7

4/7, 7/7

5/7

2/7, 4/7, 7/7

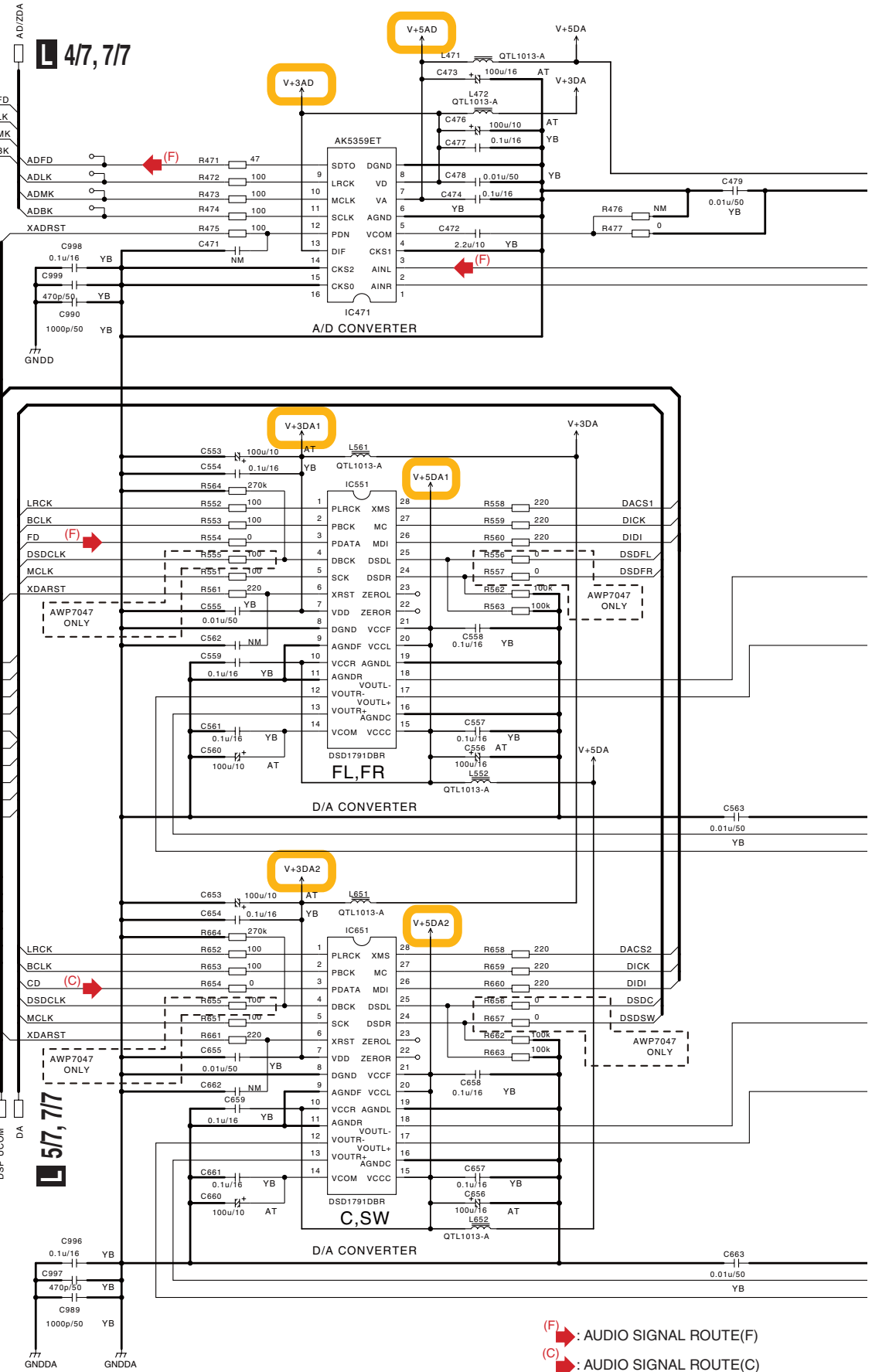
2/7

1/7 - 5/7, 7/7

5/7, 7/7

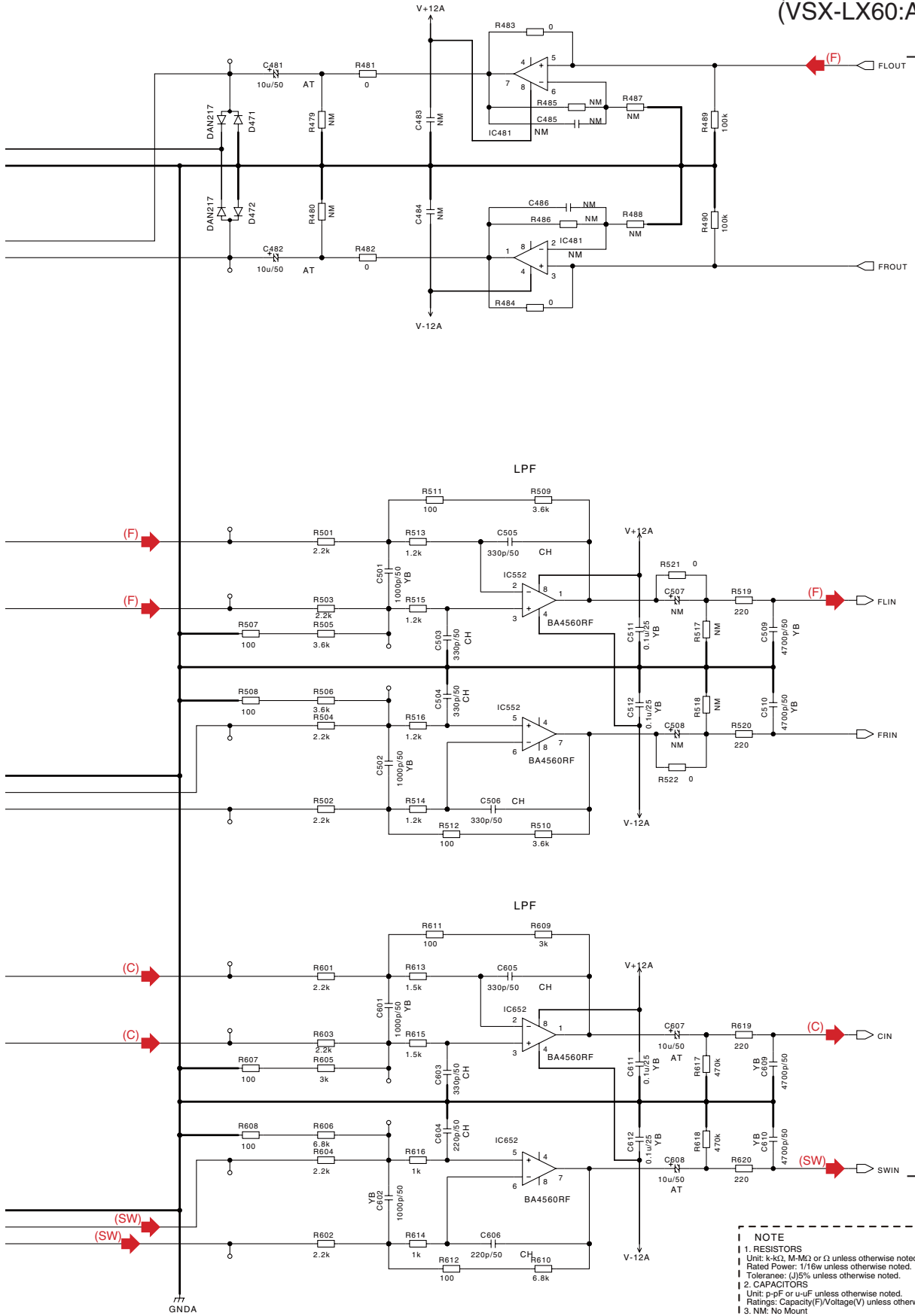
6/7

(F) : AUDIO SIGNAL ROUTE(F)
(C) : AUDIO SIGNAL ROUTE(C)
(SW) : AUDIO SIGNAL ROUTE(SW)



1 2 3 4

L 6/7 DIGITAL MOTHER ASSY
 (VSX-LX70:AWP7047)
 (VSX-LX60:AWP7053)



NOTE

- RESISTORS
 Unit: k-K1, M-M2 or Ω unless otherwise noted.
 Rated Power: 1/16w unless otherwise noted.
 Tolerance: (J)5% unless otherwise noted.
- CAPACITORS
 Unit: p-pF or u-uF unless otherwise noted.
 Ratings: Capacity(F)/Voltage(V) unless otherwise noted.
- NM: No Mount

10.17 DIGITAL MOTHER ASSY (7/7)

A

B

C

D

E

F

L 5/7

L 2/7, 4/7, 6/7

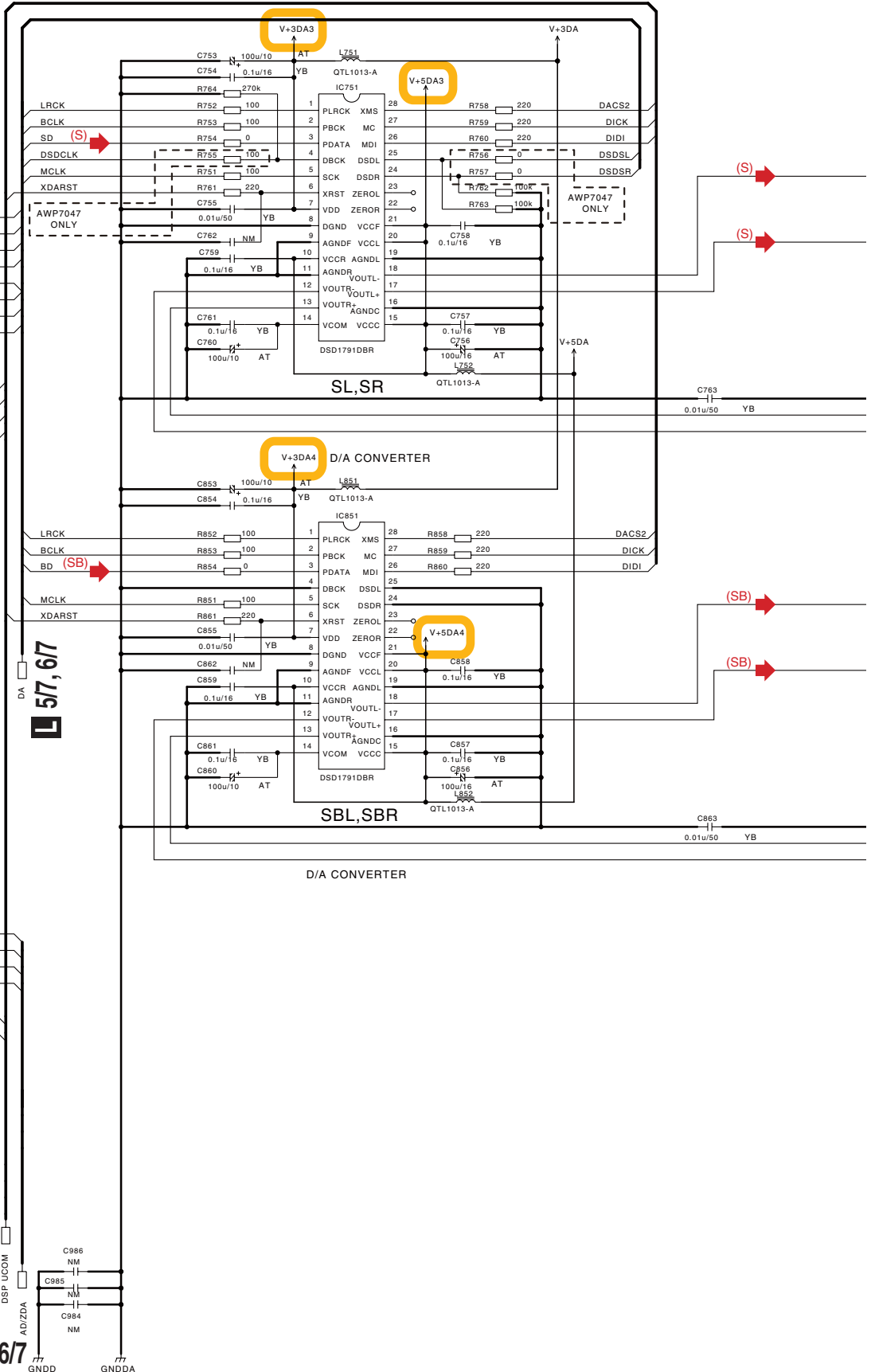
L 2/7

L 4/7

L 2/7

L 1/7 - 6/7

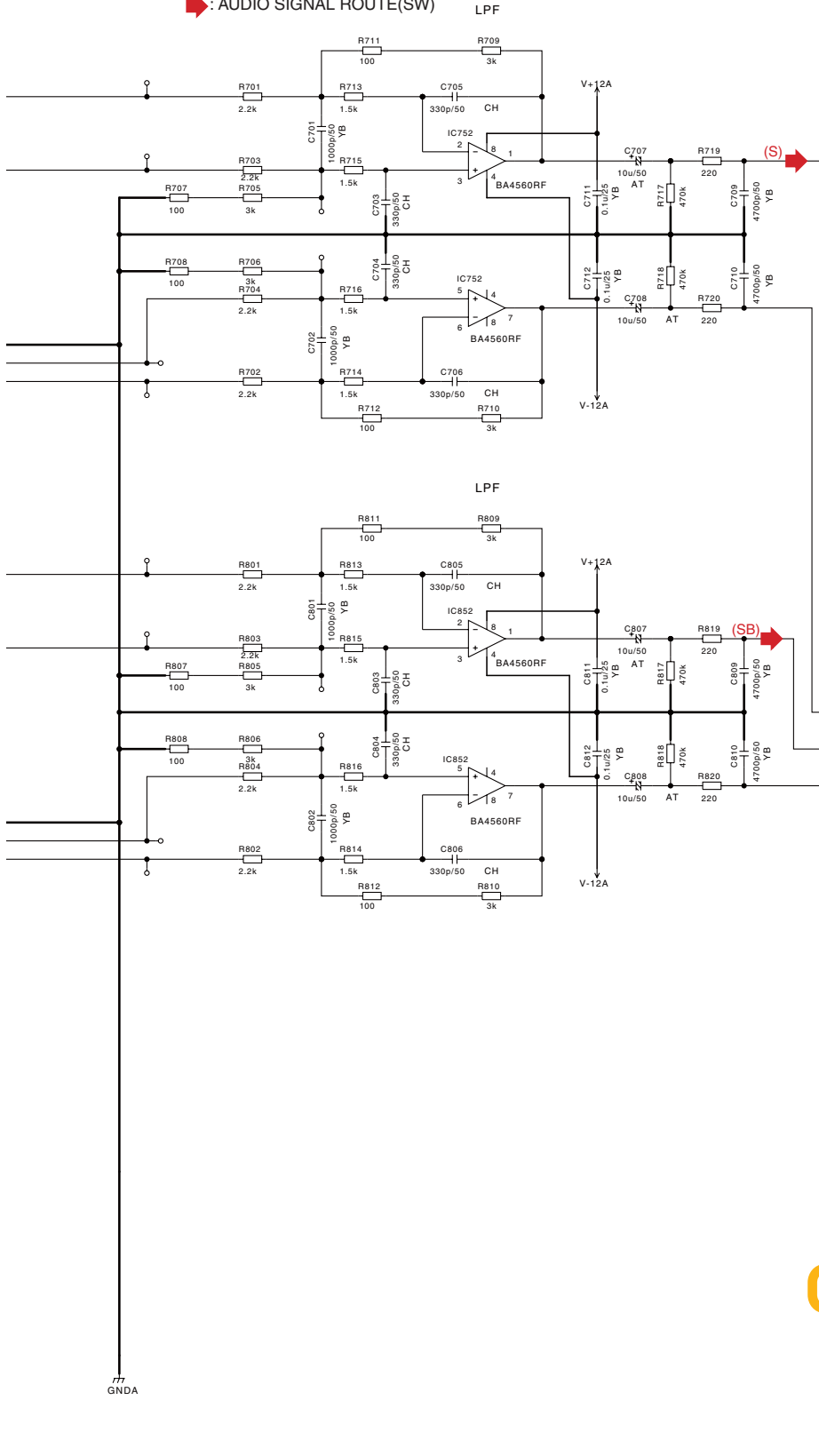
L 4/7, 6/7



L 7/7

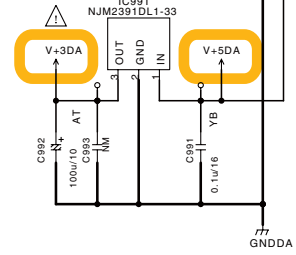
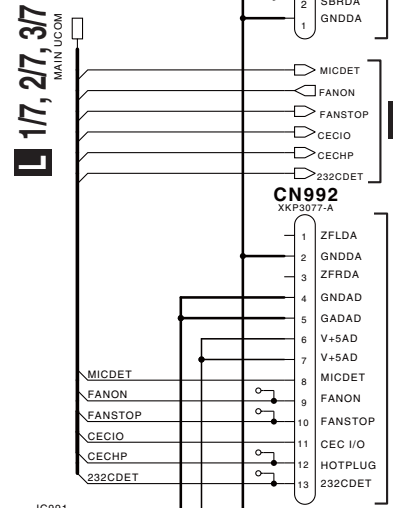
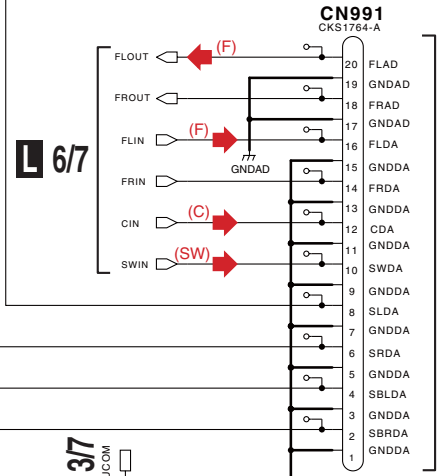
- (F) : AUDIO SIGNAL ROUTE(F)
- (S) : AUDIO SIGNAL ROUTE(S)
- (SB) : AUDIO SIGNAL ROUTE(SB)
- (SW) : AUDIO SIGNAL ROUTE(SW)

L 777 DIGITAL MOTHER ASSY
 (VSX-LX70:AWP7047)
 (VSX-LX60:AWP7053)

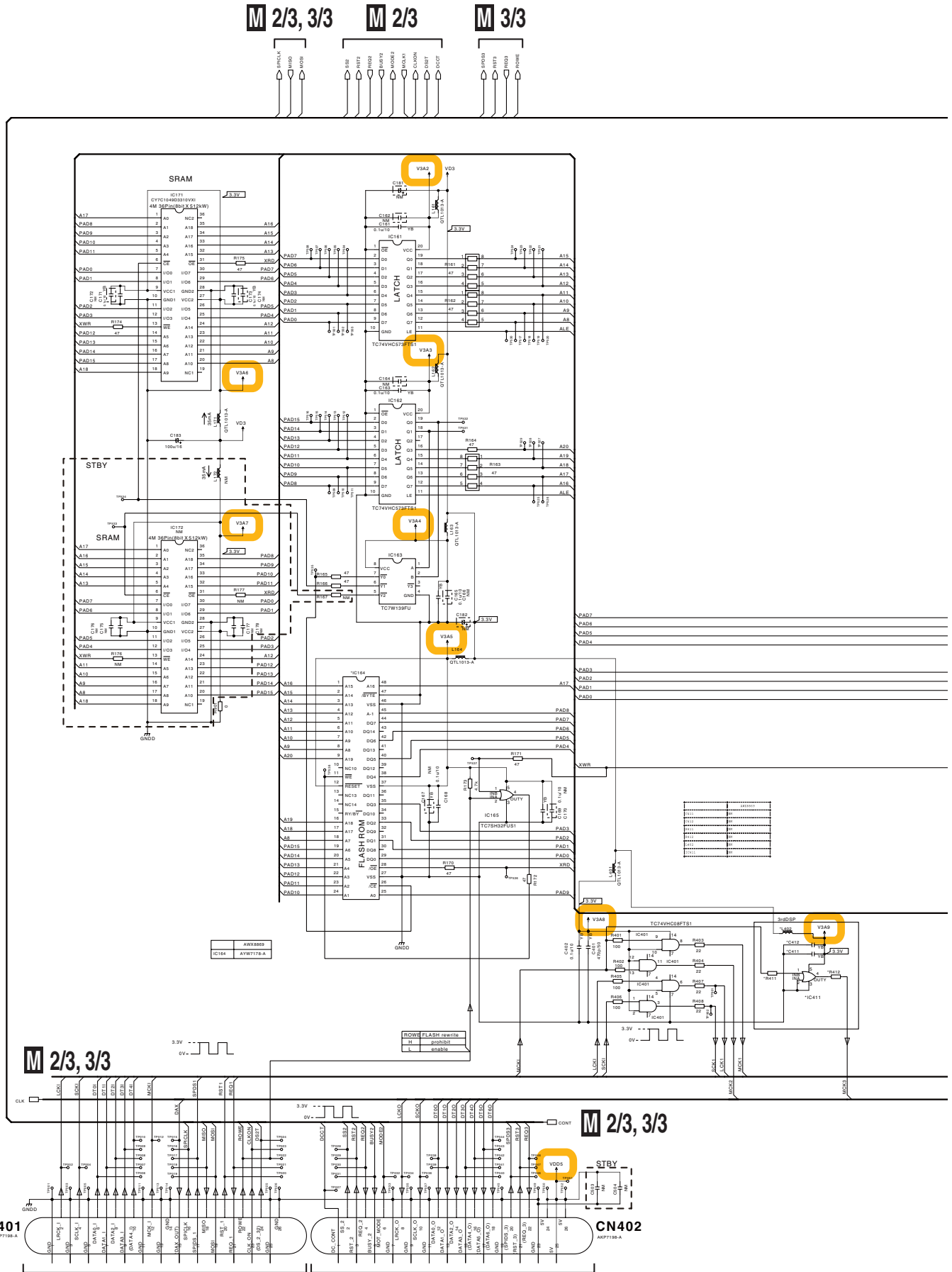


NOTE
 1. RESISTORS
 Unit: K-K1, M-M11 or 11 unless otherwise noted.
 Rated Power: 1/16w unless otherwise noted.
 Tolerance: (J)5% unless otherwise noted.
 2. CAPACITORS
 Unit: p-pF or u-uF unless otherwise noted.
 Ratings: Capacity(F)/Voltage(V) unless otherwise noted.
 3. NM: No Mount

The Δ mark found on some component parts should be replaced with same parts (safety regulation authorized) of identical designation.



10.18 DSP ASSY (1/3)



M 2/3, 3/3

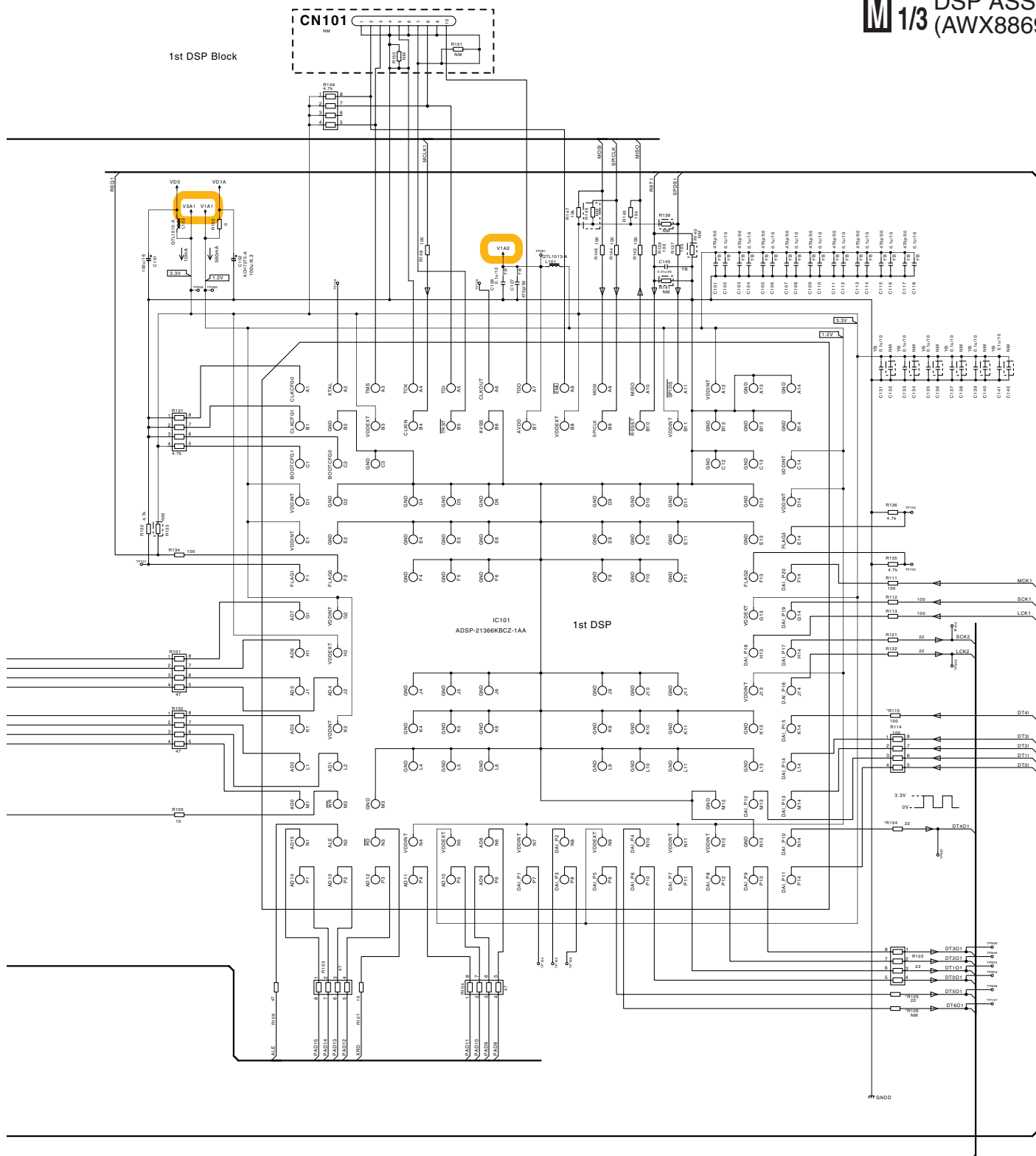
M 2/3, 3/3

M 1/3

L 5/7 CN303

L 5/7 CN304

VSX-LX70



M 2/3, 3/3

M 2/3

M 3/3

NOTE

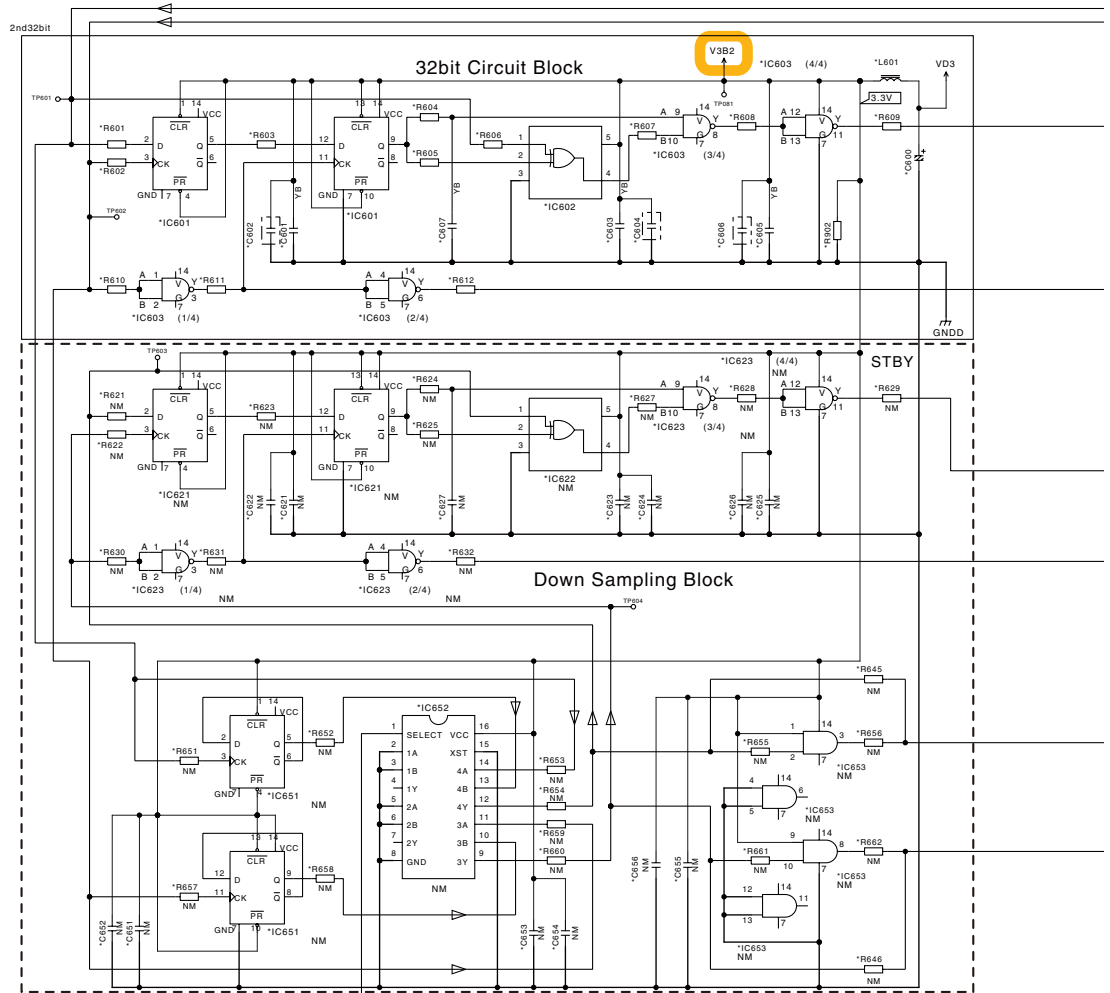
- RESISTORS: All values are in Ohms or K unless otherwise noted.
- Capacitors: All values are in pF or uF unless otherwise noted.
- Capacitors: All values are in pF or uF unless otherwise noted.
- Diodes: Capacitance in nF unless otherwise noted.
- TRF: No Mount

10.19 DSP ASSY (2/3)

1 2 3 4

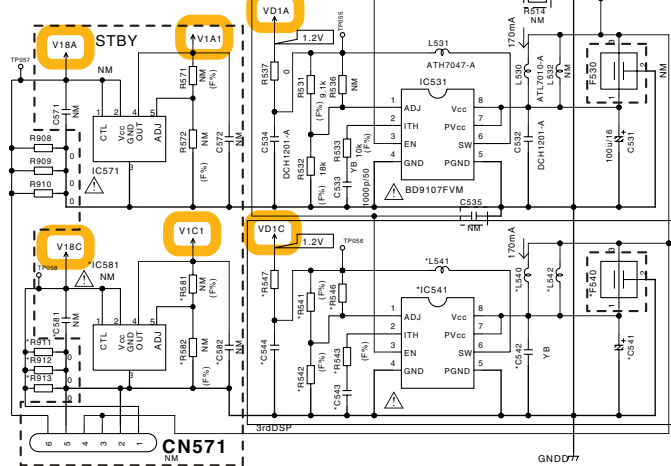
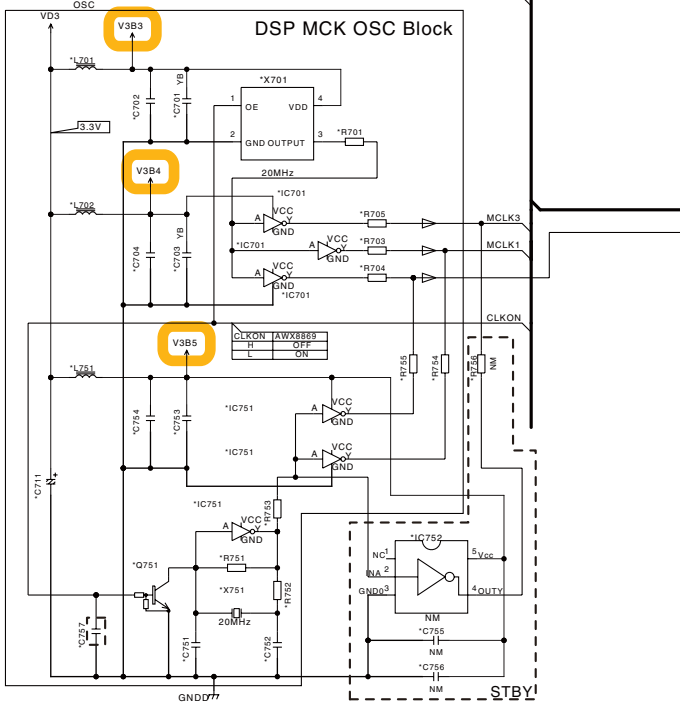
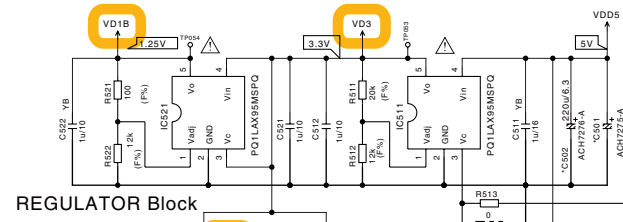
A
B
C
D
E
F

Part No.	Quantity	Part Name	Notes
8001	1	RES01	
8002	1	RES02	
8003	1	RES03	
8004	1	RES04	
8005	1	RES05	
8006	1	RES06	
8007	1	RES07	
8008	1	RES08	
8009	1	RES09	
8010	1	RES10	
8011	1	RES11	
8012	1	RES12	
8013	1	RES13	
8014	1	RES14	
8015	1	RES15	
8016	1	RES16	
8017	1	RES17	
8018	1	RES18	
8019	1	RES19	
8020	1	RES20	
8021	1	RES21	
8022	1	RES22	
8023	1	RES23	
8024	1	RES24	
8025	1	RES25	
8026	1	RES26	
8027	1	RES27	
8028	1	RES28	
8029	1	RES29	
8030	1	RES30	
8031	1	RES31	
8032	1	RES32	
8033	1	RES33	
8034	1	RES34	
8035	1	RES35	
8036	1	RES36	
8037	1	RES37	
8038	1	RES38	
8039	1	RES39	
8040	1	RES40	
8041	1	RES41	
8042	1	RES42	
8043	1	RES43	
8044	1	RES44	
8045	1	RES45	
8046	1	RES46	
8047	1	RES47	
8048	1	RES48	
8049	1	RES49	
8050	1	RES50	
8051	1	RES51	
8052	1	RES52	
8053	1	RES53	
8054	1	RES54	
8055	1	RES55	
8056	1	RES56	
8057	1	RES57	
8058	1	RES58	
8059	1	RES59	
8060	1	RES60	
8061	1	RES61	
8062	1	RES62	
8063	1	RES63	
8064	1	RES64	
8065	1	RES65	
8066	1	RES66	
8067	1	RES67	
8068	1	RES68	
8069	1	RES69	
8070	1	RES70	
8071	1	RES71	
8072	1	RES72	
8073	1	RES73	
8074	1	RES74	
8075	1	RES75	
8076	1	RES76	
8077	1	RES77	
8078	1	RES78	
8079	1	RES79	
8080	1	RES80	
8081	1	RES81	
8082	1	RES82	
8083	1	RES83	
8084	1	RES84	
8085	1	RES85	
8086	1	RES86	
8087	1	RES87	
8088	1	RES88	
8089	1	RES89	
8090	1	RES90	
8091	1	RES91	
8092	1	RES92	
8093	1	RES93	
8094	1	RES94	
8095	1	RES95	
8096	1	RES96	
8097	1	RES97	
8098	1	RES98	
8099	1	RES99	
8100	1	RES100	
8101	1	RES101	
8102	1	RES102	
8103	1	RES103	
8104	1	RES104	
8105	1	RES105	
8106	1	RES106	
8107	1	RES107	
8108	1	RES108	
8109	1	RES109	
8110	1	RES110	
8111	1	RES111	
8112	1	RES112	
8113	1	RES113	
8114	1	RES114	
8115	1	RES115	
8116	1	RES116	
8117	1	RES117	
8118	1	RES118	
8119	1	RES119	
8120	1	RES120	
8121	1	RES121	
8122	1	RES122	
8123	1	RES123	
8124	1	RES124	
8125	1	RES125	
8126	1	RES126	
8127	1	RES127	
8128	1	RES128	
8129	1	RES129	
8130	1	RES130	
8131	1	RES131	
8132	1	RES132	
8133	1	RES133	
8134	1	RES134	
8135	1	RES135	
8136	1	RES136	
8137	1	RES137	
8138	1	RES138	
8139	1	RES139	
8140	1	RES140	
8141	1	RES141	
8142	1	RES142	
8143	1	RES143	
8144	1	RES144	
8145	1	RES145	
8146	1	RES146	
8147	1	RES147	
8148	1	RES148	
8149	1	RES149	
8150	1	RES150	
8151	1	RES151	
8152	1	RES152	
8153	1	RES153	
8154	1	RES154	
8155	1	RES155	
8156	1	RES156	
8157	1	RES157	
8158	1	RES158	
8159	1	RES159	
8160	1	RES160	
8161	1	RES161	
8162	1	RES162	
8163	1	RES163	
8164	1	RES164	
8165	1	RES165	
8166	1	RES166	
8167	1	RES167	
8168	1	RES168	
8169	1	RES169	
8170	1	RES170	
8171	1	RES171	
8172	1	RES172	
8173	1	RES173	
8174	1	RES174	
8175	1	RES175	
8176	1	RES176	
8177	1	RES177	
8178	1	RES178	
8179	1	RES179	
8180	1	RES180	
8181	1	RES181	
8182	1	RES182	
8183	1	RES183	
8184	1	RES184	
8185	1	RES185	
8186	1	RES186	
8187	1	RES187	
8188	1	RES188	
8189	1	RES189	
8190	1	RES190	
8191	1	RES191	
8192	1	RES192	
8193	1	RES193	
8194	1	RES194	
8195	1	RES195	
8196	1	RES196	
8197	1	RES197	
8198	1	RES198	
8199	1	RES199	
8200	1	RES200	



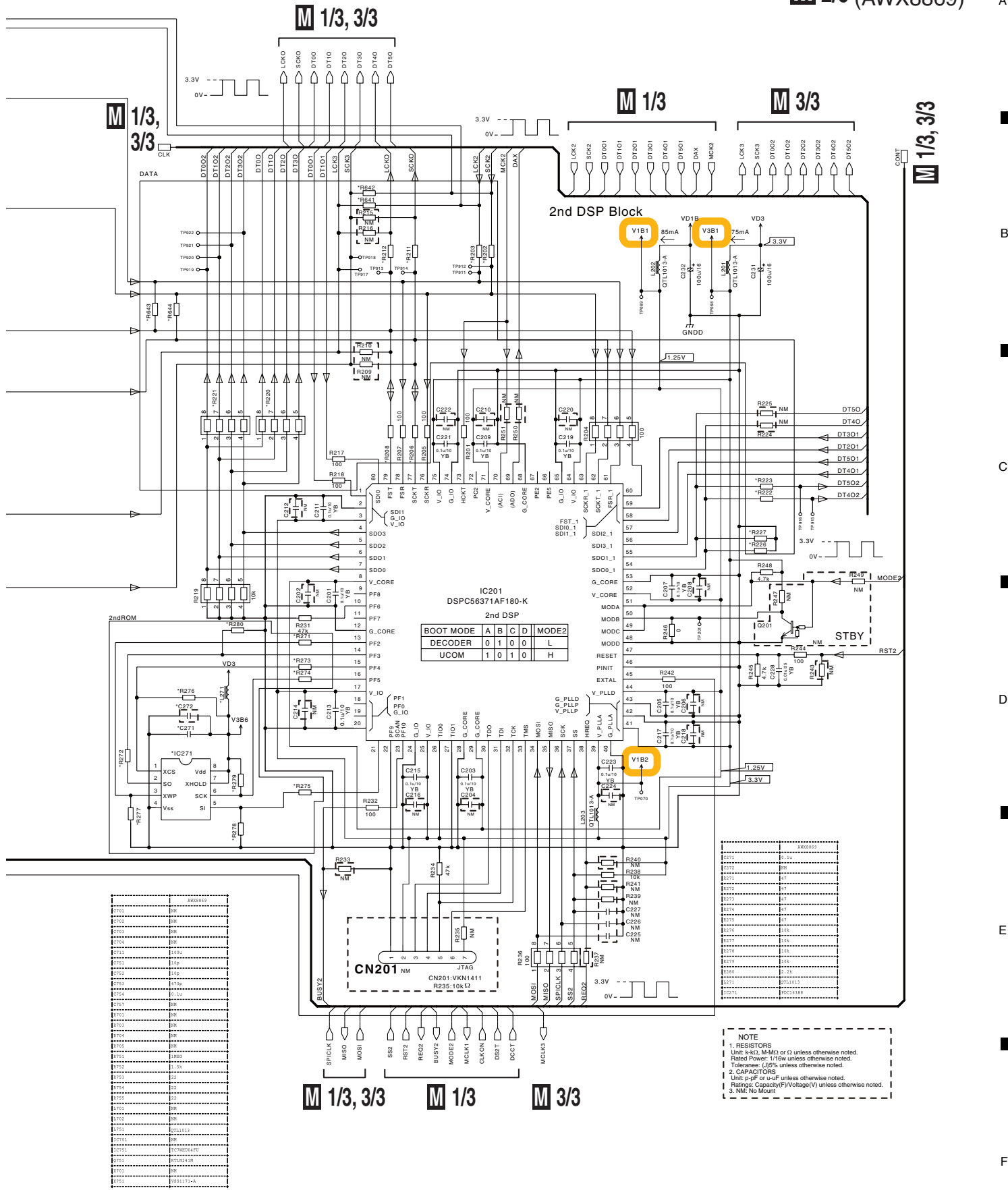
The Δ mark found on some component parts should be replaced with same parts (safety regulation authorized) of identical designation.

DS2T	Down Sampling
H	ON
L	OFF



1 2 3 4

M 2/3 DSP ASSY (AWX8869)



BOOT MODE	A	B	C	D	MODE2
DECODER	0	1	0	0	L
UCOM	1	0	1	0	H

CN201	
1	2
3	4
5	6
7	8
9	10
11	12
13	14
15	16
17	18
19	20
21	22
23	24
25	26
27	28
29	30
31	32
33	34
35	36
37	38
39	40
41	42
43	44
45	46
47	48
49	50
51	52
53	54
55	56
57	58
59	60
61	62
63	64
65	66
67	68
69	70
71	72
73	74
75	76
77	78
79	80
81	82
83	84
85	86
87	88
89	90
91	92
93	94
95	96
97	98
99	100

NOTE
 1. RESISTORS
 Unit: k-k Ω , M-M Ω or Ω unless otherwise noted.
 Rated Power: 1/16W unless otherwise noted.
 Tolerance: (J)5% unless otherwise noted.
 2. CAPACITORS
 Unit: p-pF or μ F unless otherwise noted.
 Ratings: Capacity(F)/Voltage(V) unless otherwise noted.
 3. NM: No Mount

AWX8869	
U100	89
U101	89
U102	89
U103	89
U104	89
U105	89
U106	89
U107	89
U108	89
U109	89
U110	89
U111	89
U112	89
U113	89
U114	89
U115	89
U116	89
U117	89
U118	89
U119	89
U120	89
U121	89
U122	89
U123	89
U124	89
U125	89
U126	89
U127	89
U128	89
U129	89
U130	89
U131	89
U132	89
U133	89
U134	89
U135	89
U136	89
U137	89
U138	89
U139	89
U140	89
U141	89
U142	89
U143	89
U144	89
U145	89
U146	89
U147	89
U148	89
U149	89
U150	89
U151	89
U152	89
U153	89
U154	89
U155	89
U156	89
U157	89
U158	89
U159	89
U160	89
U161	89
U162	89
U163	89
U164	89
U165	89
U166	89
U167	89
U168	89
U169	89
U170	89
U171	89
U172	89
U173	89
U174	89
U175	89
U176	89
U177	89
U178	89
U179	89
U180	89
U181	89
U182	89
U183	89
U184	89
U185	89
U186	89
U187	89
U188	89
U189	89
U190	89
U191	89
U192	89
U193	89
U194	89
U195	89
U196	89
U197	89
U198	89
U199	89
U200	89

10.20 DSP ASSY (3/3)

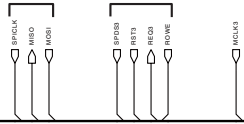
1

2

3

4

M 1/3, 2/3 M 1/3 M 2/3



30PH

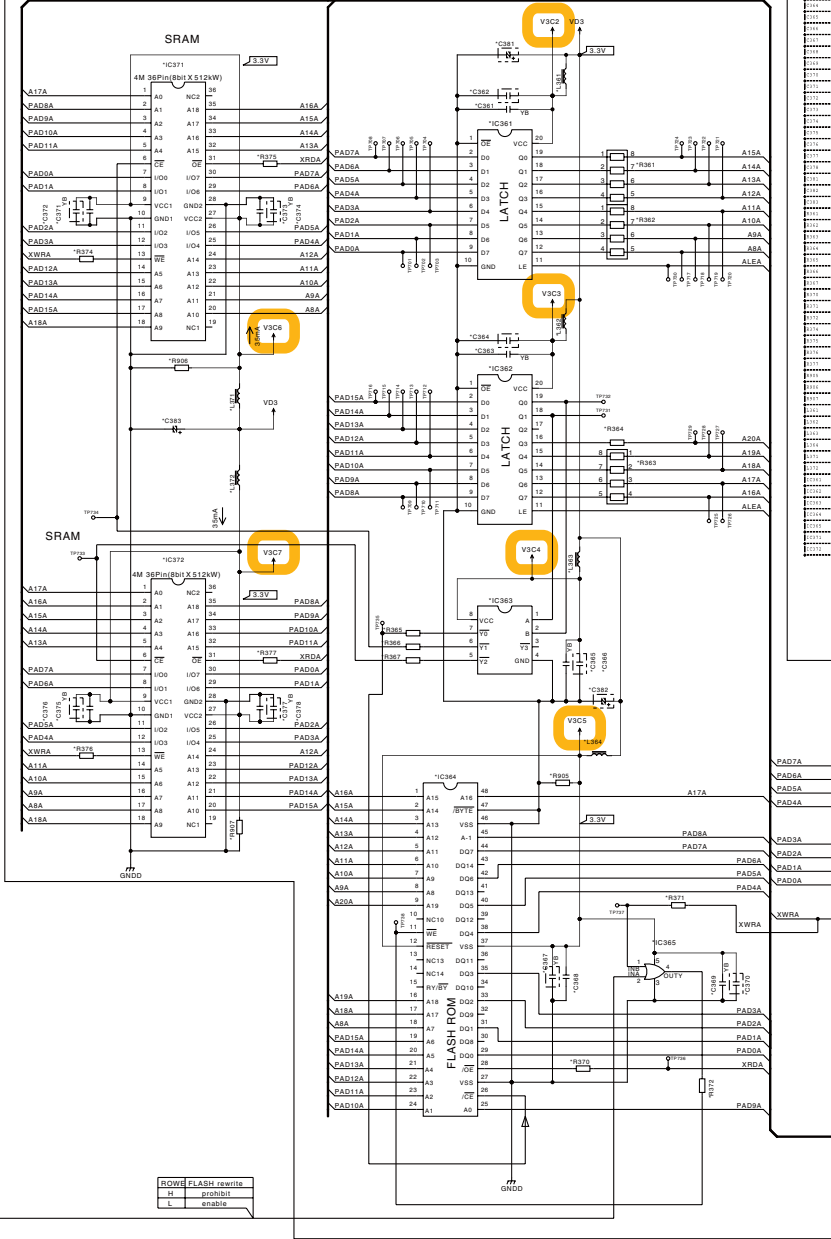


Table with 2 columns: Component, Value. Lists components like IC381 through IC386 and their values.

Table with 2 columns: Component, Value. Lists components like IC381 through IC386 and their values.

Legend for ROW# FLASH rewrite: H prohibit, L enable.

M 1/3, 2/3

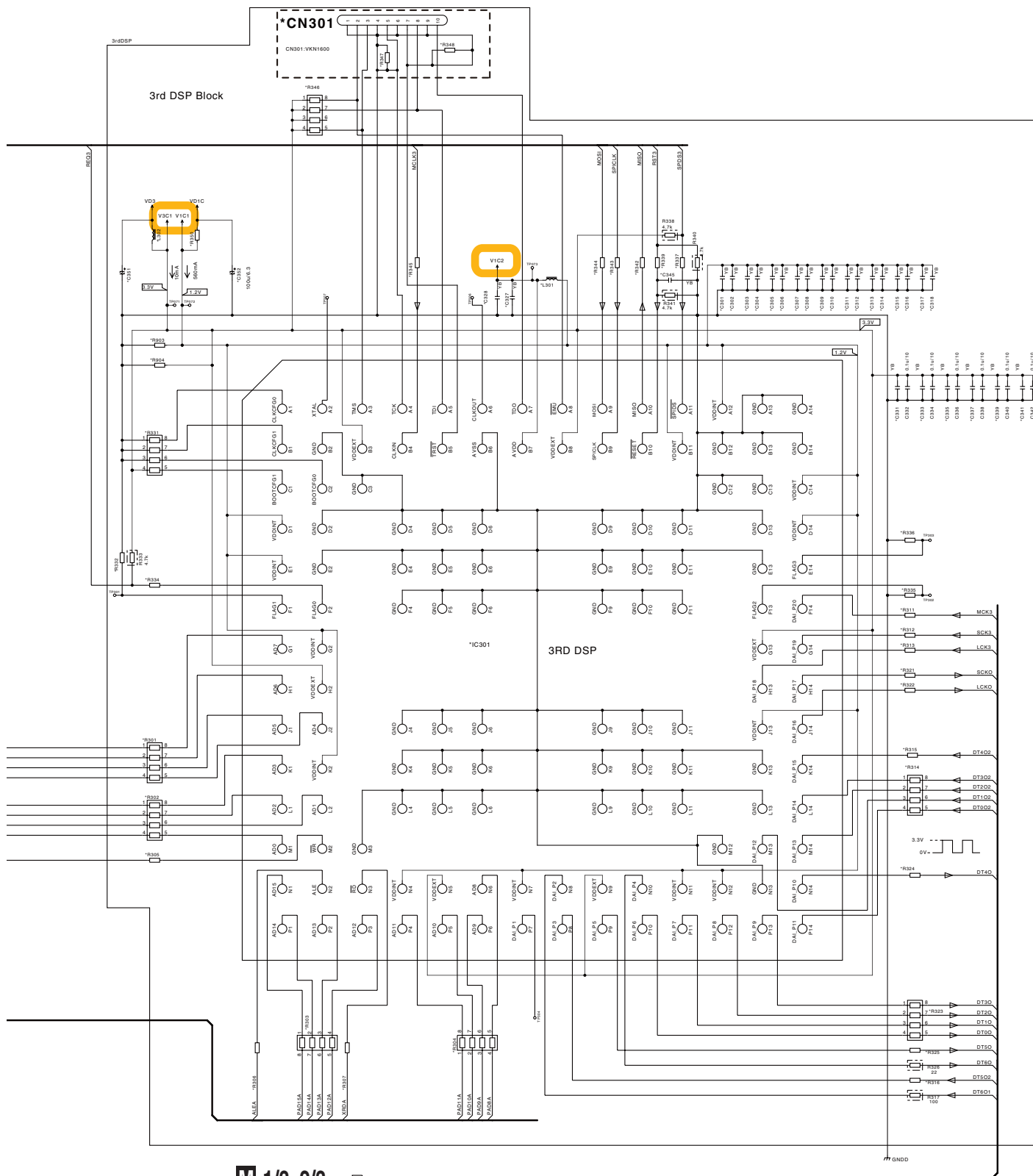
M 3/3

1

2

3

4



M 1/3, 2/3

M 1/3, 2/3

M 1/3

M 2/3

M 3/3

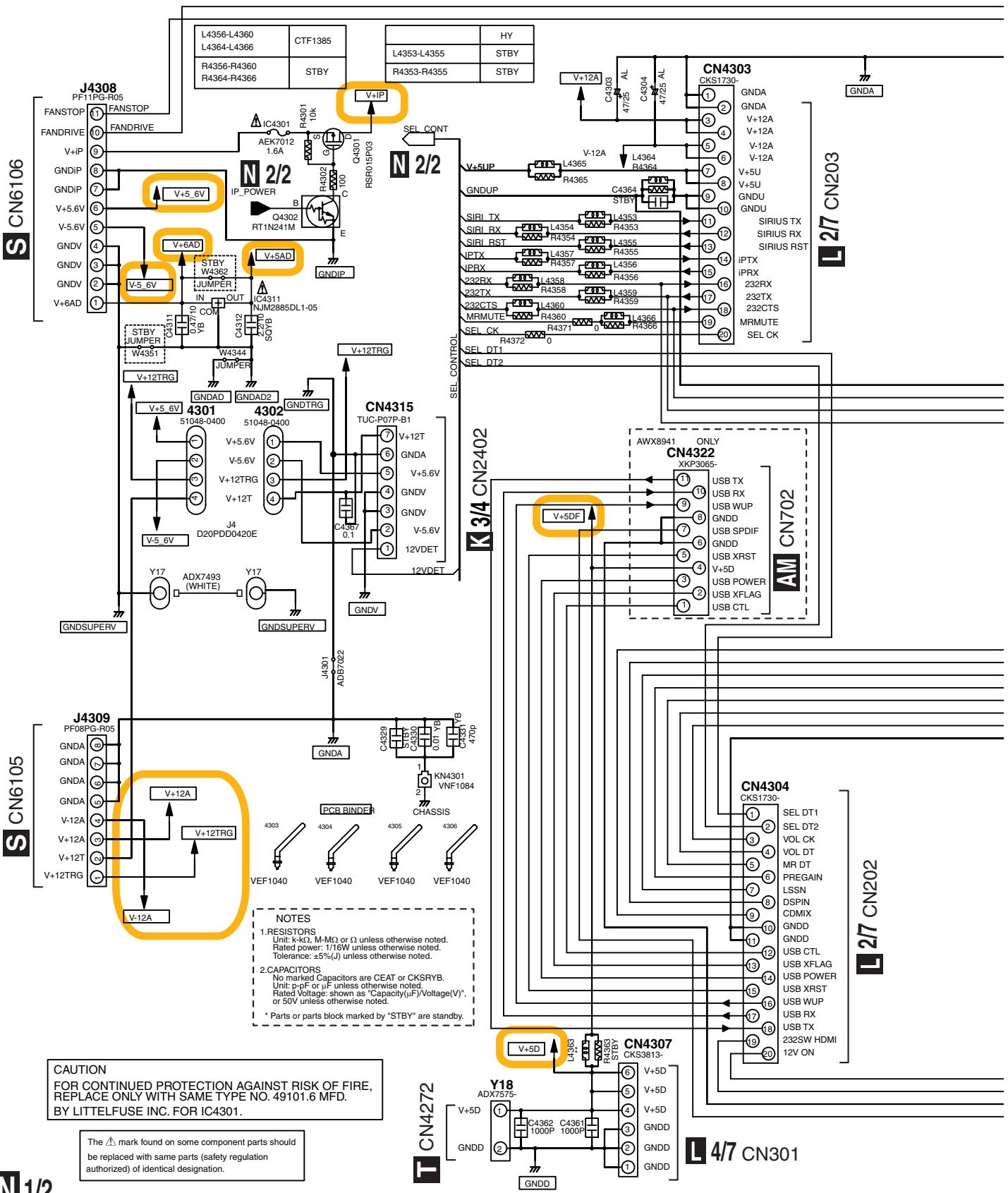
VSX-LX70

NOTE

- RESISTORS
Unit: k Ω , M Ω or Ω unless otherwise noted.
Ratd Power: 1/8W unless otherwise noted.
Tolerance: (5%) unless otherwise noted.
- CAPACITORS
Unit: pF or μ F unless otherwise noted.
Ripple Capacity (V Voltage) unless otherwise noted.
SMT: No Mount!

10.21 INTERFACE ASSY (1/2)

N 1/2 INTERFACE ASSY
(VSX-LX70:AWX8949)
(VSX-LX60:AWX8941)



NOTES

- RESISTORS**
Unit: k-k Ω , M-M Ω or Ω unless otherwise noted.
Rated power: 1/16W unless otherwise noted.
Tolerance: $\pm 5\%$ (J) unless otherwise noted.
- CAPACITORS**
No marked Capacitors are CEAT or CKSRYB.
Unit: p-pF or μ F unless otherwise noted.
Rated Voltage: shown as "Capacity(μ F)/Voltage(V)", or 50V unless otherwise noted.

* Parts or parts block marked by "STBY" are standby.

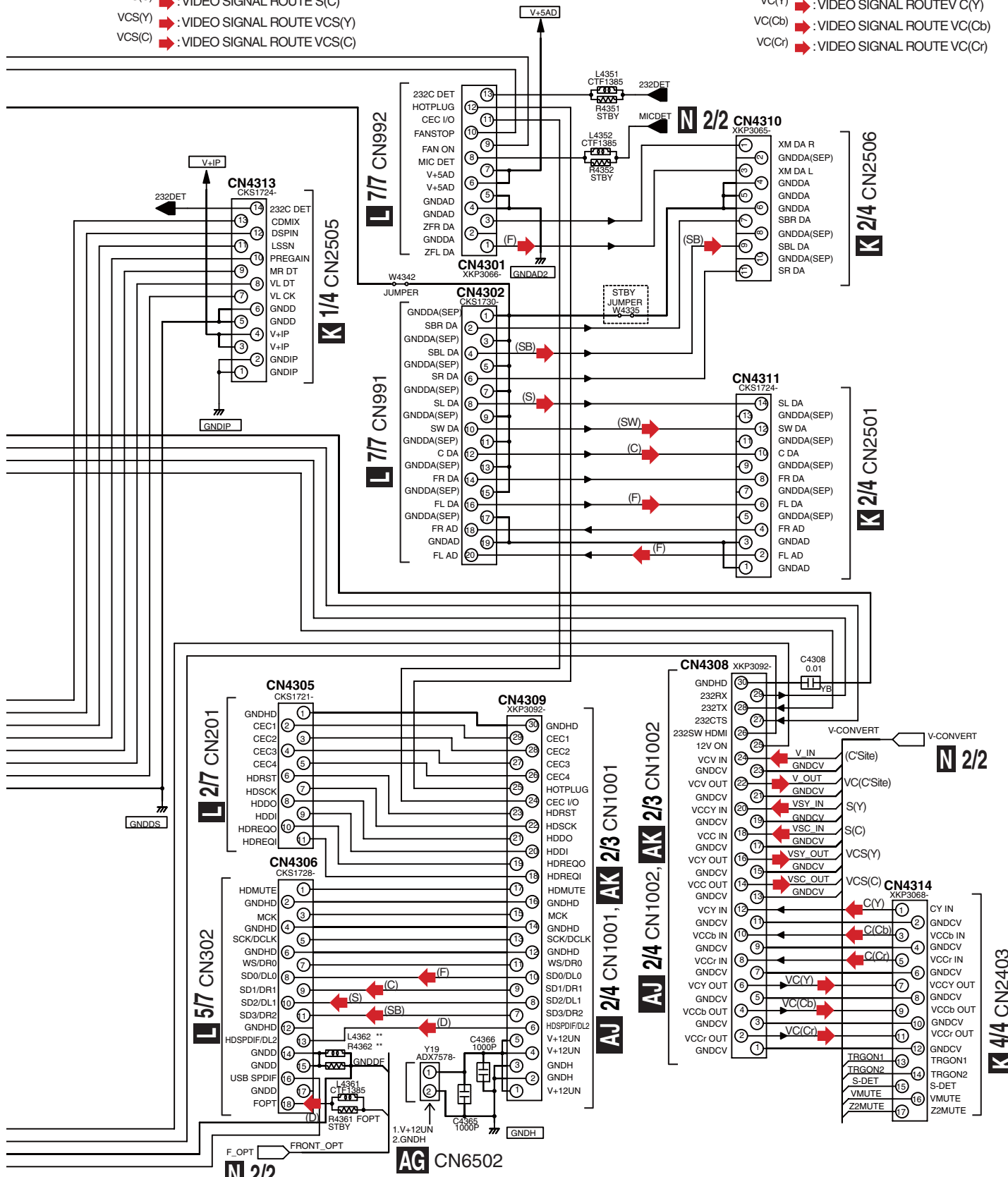
CAUTION
FOR CONTINUED PROTECTION AGAINST RISK OF FIRE,
REPLACE ONLY WITH SAME TYPE NO. 49101.6 MFD.
BY LITTELFUSE INC. FOR IC4301.

The Δ mark found on some component parts should be replaced with same parts (safety regulation authorized) of identical designation.

N 1/2

- (C'Site) → : VIDEO SIGNAL ROUTE (C'Site)
- VC(C'Site) → : VIDEO SIGNAL ROUTE VC(C'Site)
- S(Y) → : VIDEO SIGNAL ROUTE S(Y)
- S(C) → : VIDEO SIGNAL ROUTE S(C)
- VCS(Y) → : VIDEO SIGNAL ROUTE VCS(Y)
- VCS(C) → : VIDEO SIGNAL ROUTE VCS(C)

- C(Y) → : VIDEO SIGNAL ROUTE C(Y)
- C(Cb) → : VIDEO SIGNAL ROUTE C(Cb)
- C(Cr) → : VIDEO SIGNAL ROUTE C(Cr)
- VC(Y) → : VIDEO SIGNAL ROUTE VC(Y)
- VC(Cb) → : VIDEO SIGNAL ROUTE VC(Cb)
- VC(Cr) → : VIDEO SIGNAL ROUTE VC(Cr)

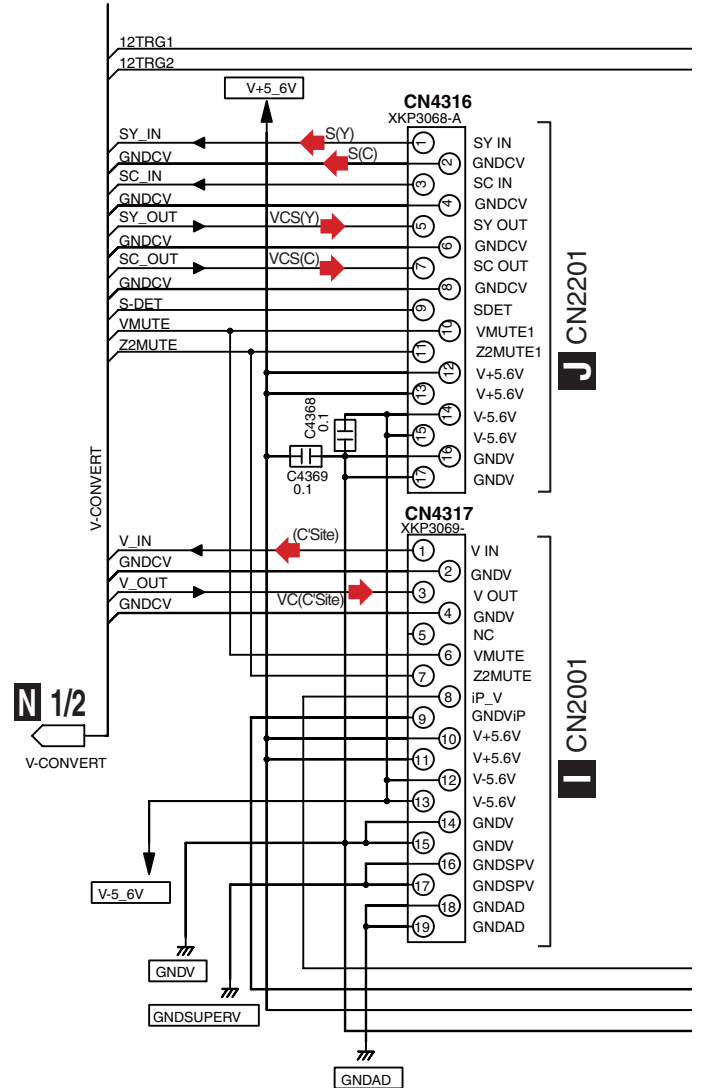
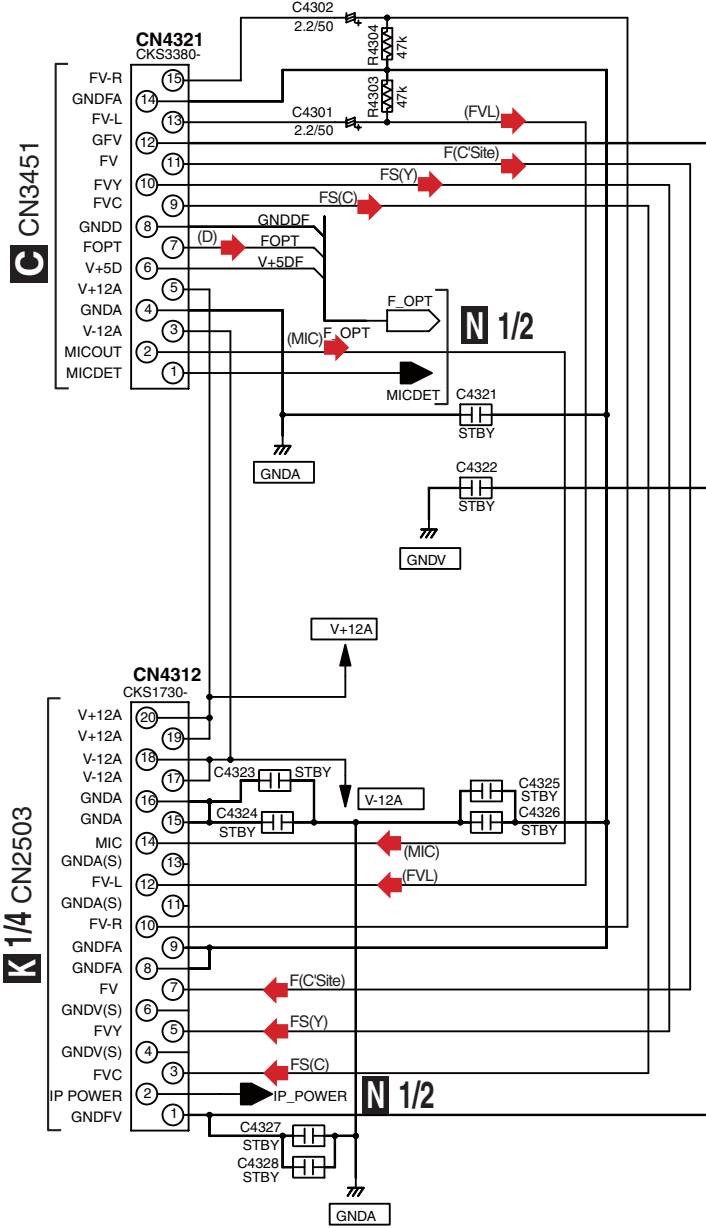


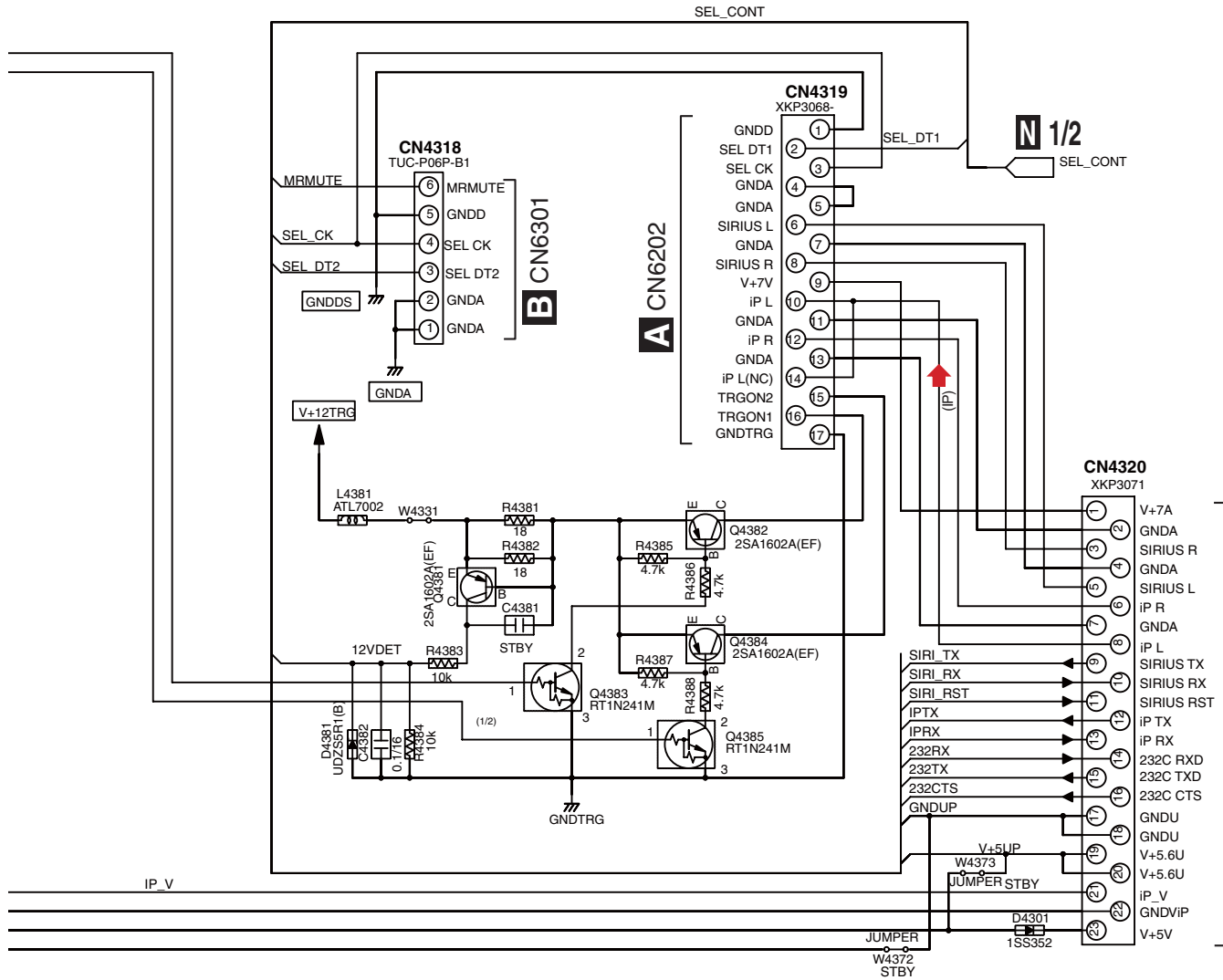
**	AWX8941	AWX8949
L4362	STBY	CTF1385
L4363	VTL1169	CTF1385
R4362	0Ω	STBY

- (F) → : AUDIO SIGNAL ROUTE(F)
- (C) → : AUDIO SIGNAL ROUTE(C)
- (S) → : AUDIO SIGNAL ROUTE(S)
- (SB) → : AUDIO SIGNAL ROUTE(SB)
- (SW) → : AUDIO SIGNAL ROUTE(SW)
- (D) → : AUDIO SIGNAL ROUTE(SPDIF)

10.22 INTERFACE ASSY (2/2)

N 2/2 INTERFACE ASSY
 (VSX-LX70:AWX8949)
 (VSX-LX60:AWX8941)



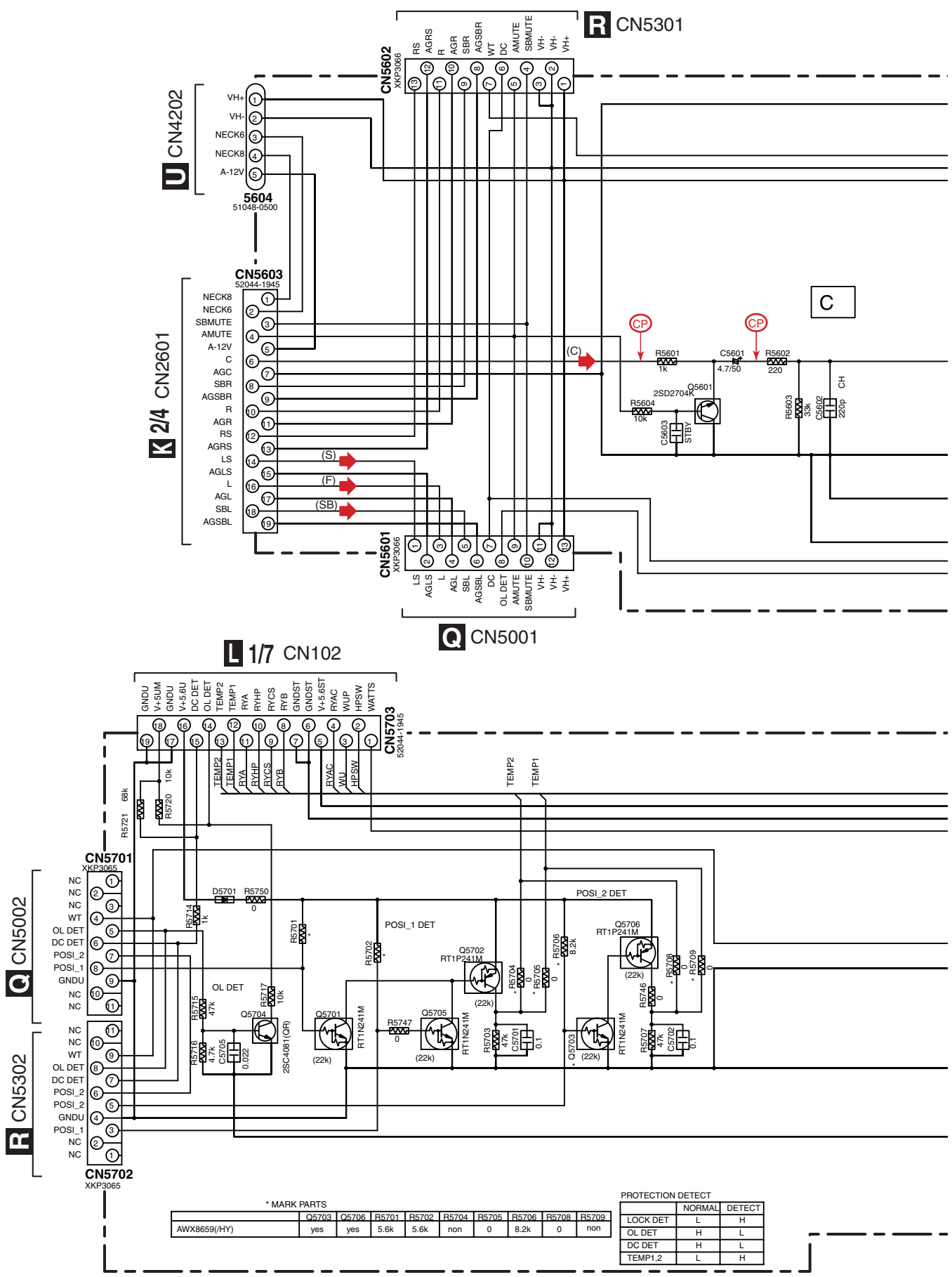


- (FVL) → VIDEO SIGNAL ROUTE (VIDEO2)
- F(C'Site) → VIDEO SIGNAL ROUTE F(C'Site)
- FS(C) → VIDEO SIGNAL ROUTE FS(C)
- FS(Y) → VIDEO SIGNAL ROUTE FS(Y)
- (C'Site) → VIDEO SIGNAL ROUTE (C'Site)
- VC(C'Site) → VIDEO SIGNAL ROUTE VC(C'Site)
- S(Y) → VIDEO SIGNAL ROUTE S(Y)
- S(C) → VIDEO SIGNAL ROUTE S(C)
- VCS(Y) → VIDEO SIGNAL ROUTE VCS(Y)
- VCS(C) → VIDEO SIGNAL ROUTE VCS(C)
- (IP) → AUDIO SIGNAL ROUTE(IP)
- (MIC) → AUDIO SIGNAL ROUTE(MIC)
- (D) → AUDIO SIGNAL ROUTE(SPDIF)

VSX-LX70

10.23 POWER AMP IN and POWER PROTECT ASSYS

A
B
C
D
E
F



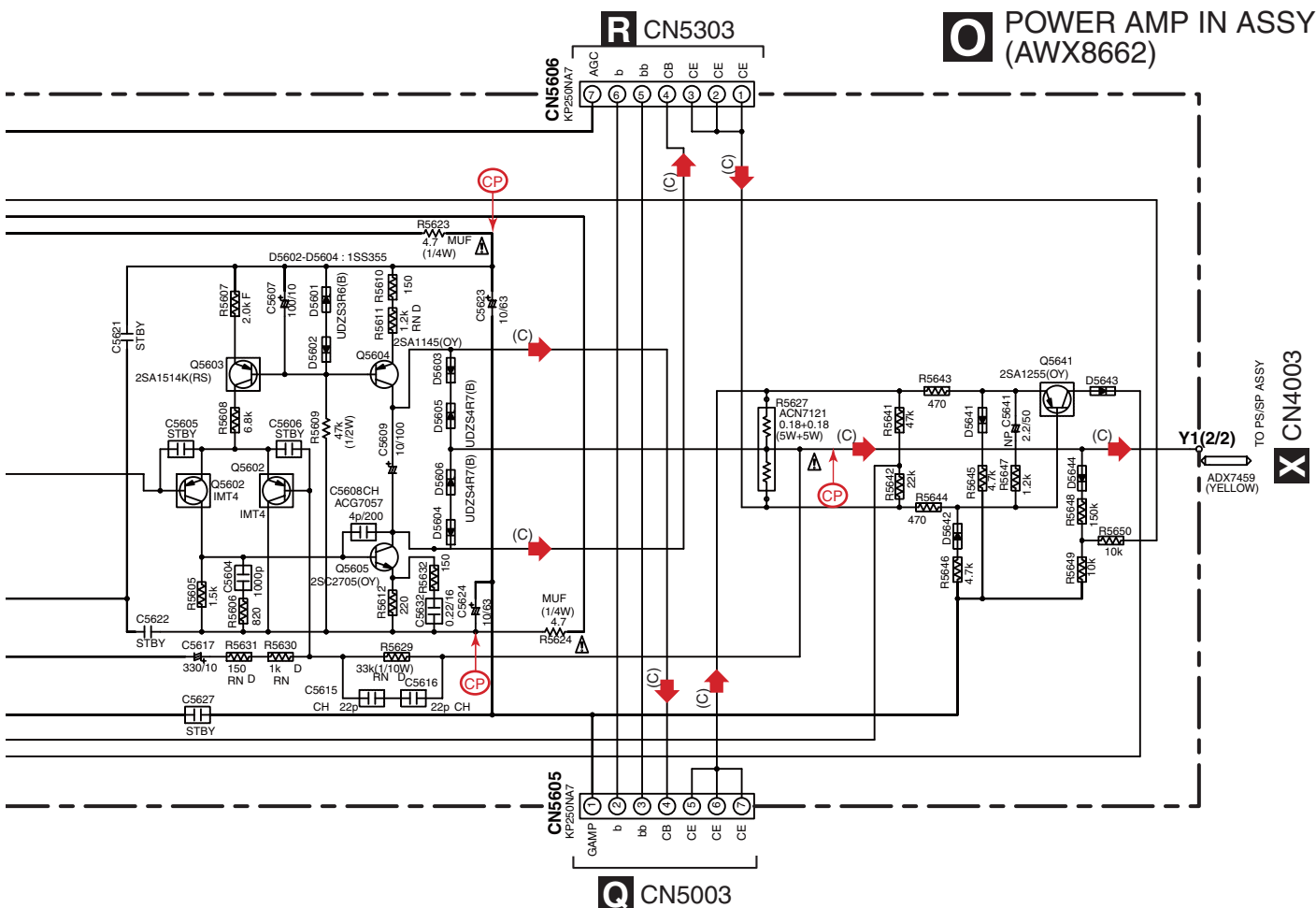
* MARK PARTS

	Q5703	Q5706	R5701	R5702	R5704	R5705	R5706	R5708	R5709
AWX8659(HY)	yes	yes	5.6k	5.6k	non	0	8.2k	0	non

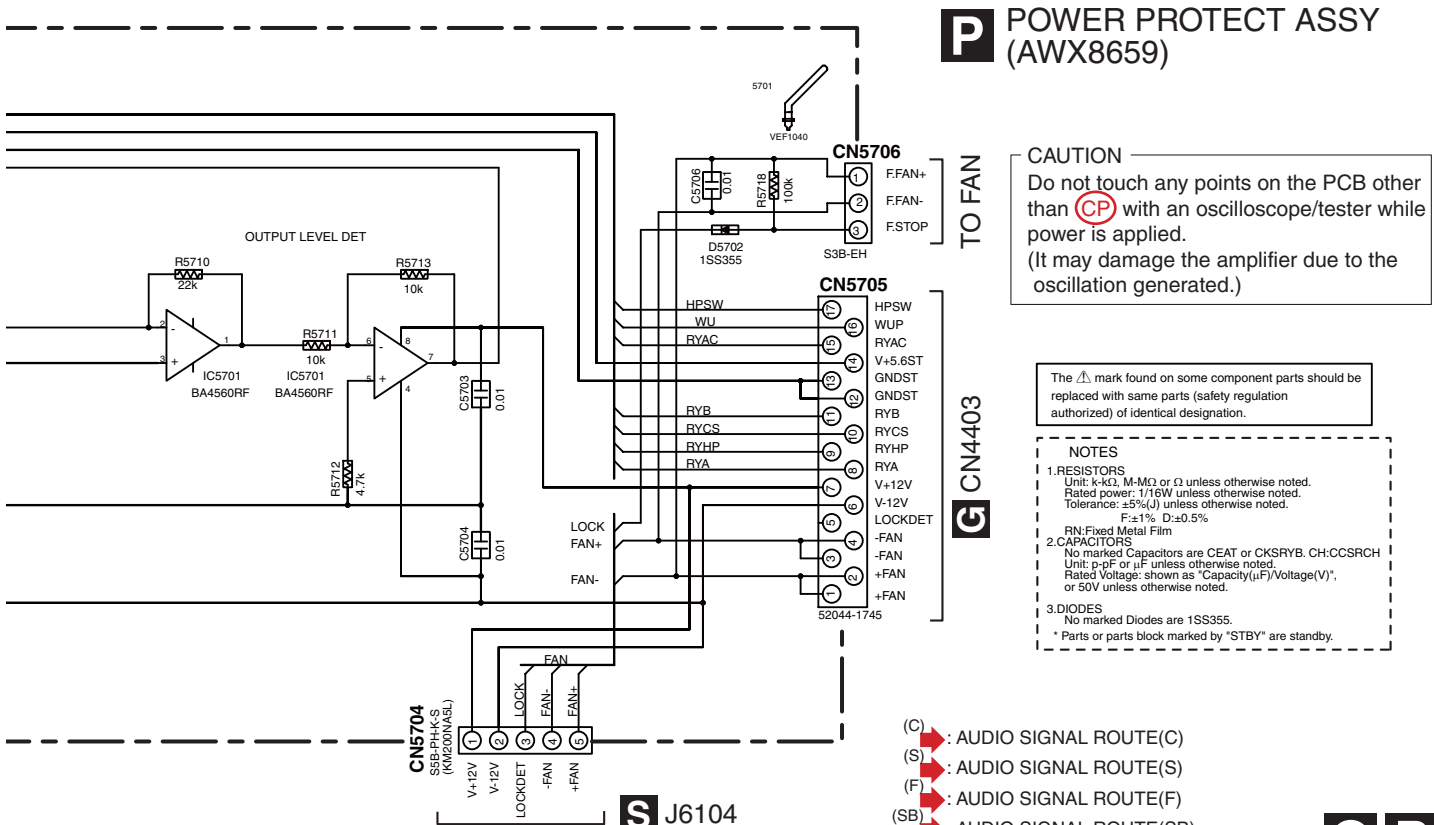
PROTECTION DETECT

	NORMAL	DETECT
LOCK DET	L	H
OL DET	H	L
DC DET	H	L
TEMP1,2	L	H

OP



O POWER AMP IN ASSY (AWX8662)



P POWER PROTECT ASSY (AWX8659)

CAUTION
Do not touch any points on the PCB other than (C) with an oscilloscope/tester while power is applied. (It may damage the amplifier due to the oscillation generated.)

The Δ mark found on some component parts should be replaced with same parts (safety regulation authorized) of identical designation.

- NOTES**
- RESISTORS**
Unit: k-k Ω , M-M Ω or Ω unless otherwise noted.
Rated power: 1/16W unless otherwise noted.
Tolerance: $\pm 5\%$ (J) unless otherwise noted.
F: $\pm 1\%$ D: $\pm 0.5\%$
 - CAPACITORS**
RN: Fixed Metal Film
No marked Capacitors are CEAT or CKSRYB. CH: CCSRCH
Unit: p-pF or μ F unless otherwise noted.
Rated Voltages shown as * Capacity(μ F)/Voltage(V), or 50V unless otherwise noted.
 - DIODES**
No marked Diodes are 1SS355.
* Parts or parts block marked by "STBY" are standby.

(C) : AUDIO SIGNAL ROUTE(C)
(S) : AUDIO SIGNAL ROUTE(S)
(F) : AUDIO SIGNAL ROUTE(F)
(SB) : AUDIO SIGNAL ROUTE(SB)

10.24 POWER AMP L ASSY

CAUTION

Do not touch any points on the PCB other than **CP** with an oscilloscope/tester while power is applied. (It may damage the amplifier due to the oscillation generated.)

NOTES

- RESISTORS**
Unit: k-kΩ, M-MΩ or Ω unless otherwise noted.
Rated power: 1/16W unless otherwise noted.
Tolerance: ±5%(J) unless otherwise noted.
F:±1% D:±0.5%
RN:Fixed Metal Film
- CAPACITORS**
No marked Capacitors are CEAT or CKSRYB. CH:CCSRCH
Unit: p-pF or μF unless otherwise noted.
Rated Voltage: shown as "Capacity(μF)/Voltage(V)", or 50V unless otherwise noted.
- DIODES**
No marked Diodes are 1SS355.
* Parts or parts block marked by "STBY" are standby.

The **Δ** mark found on some component parts should be replaced with same parts (safety regulation authorized) of identical designation.

A

B

C

D

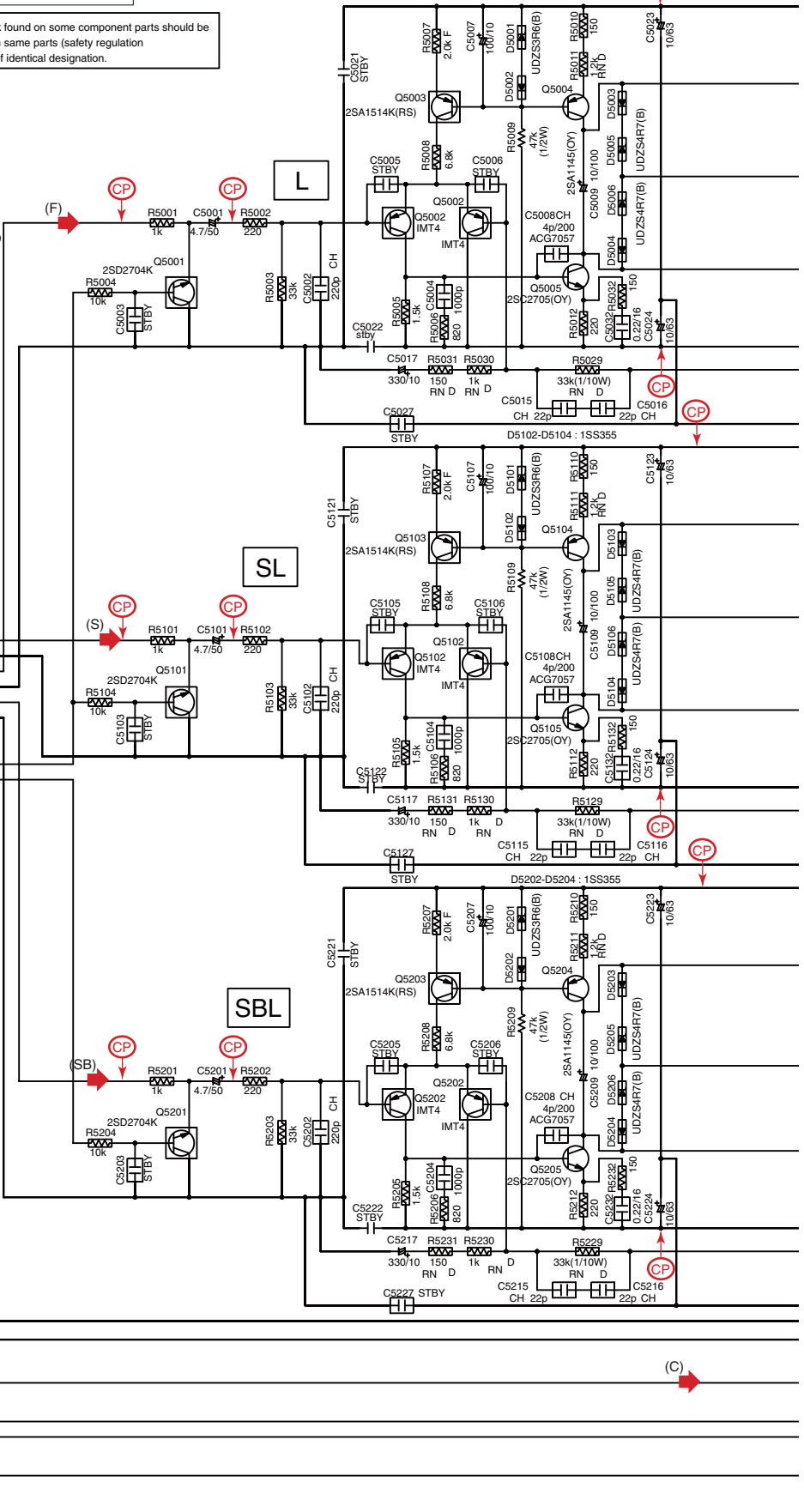
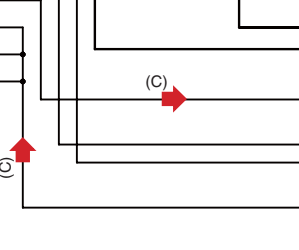
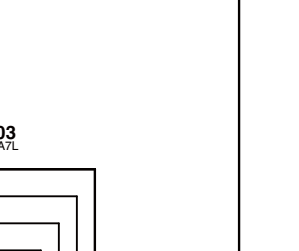
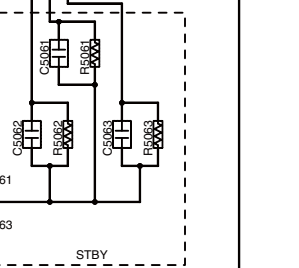
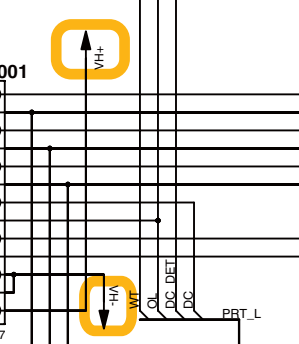
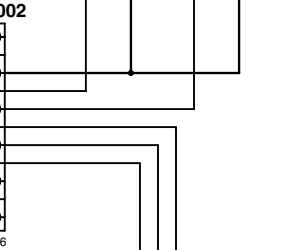
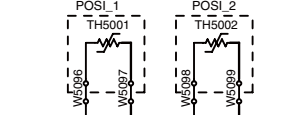
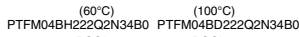
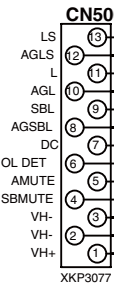
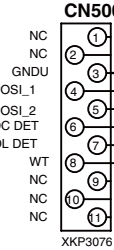
E

F

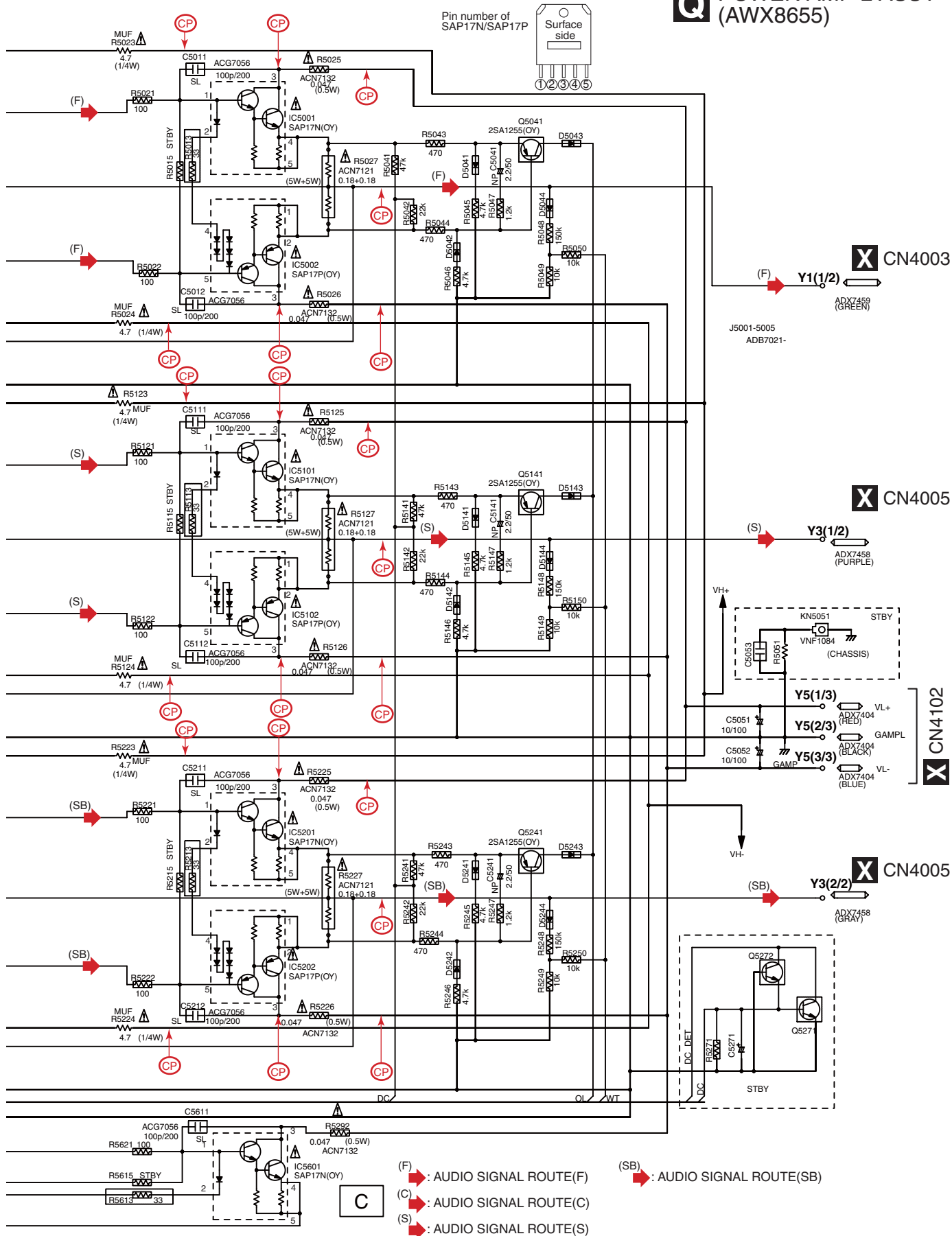
P CN5701

O CN5601

Q CN5605




POWER AMP L ASSY (AWX8655)



10.25 POWER AMP R ASSY

NOTES

- RESISTORS**
Unit: k-Ω, M-Ω or Ω unless otherwise noted.
Rated power: 1/16W unless otherwise noted.
Tolerance: ±5%(J) unless otherwise noted.
F: ±1% D: ±0.5%
RN: Fixed Metal Film
- CAPACITORS**
No marked Capacitors are CEAT or CKSRVB, CH, CCSRCH
Unit: p-pF or μF unless otherwise noted.
Rated Voltage: shown as "Capacity(μF)/Voltage(V)",
or 50V unless otherwise noted.
- DIODES**
No marked Diodes are 1SS355.
* Parts or parts block marked by "STBY" are standby.

The  mark found on some component parts should be replaced with same parts (safety regulation authorized) of identical designation.

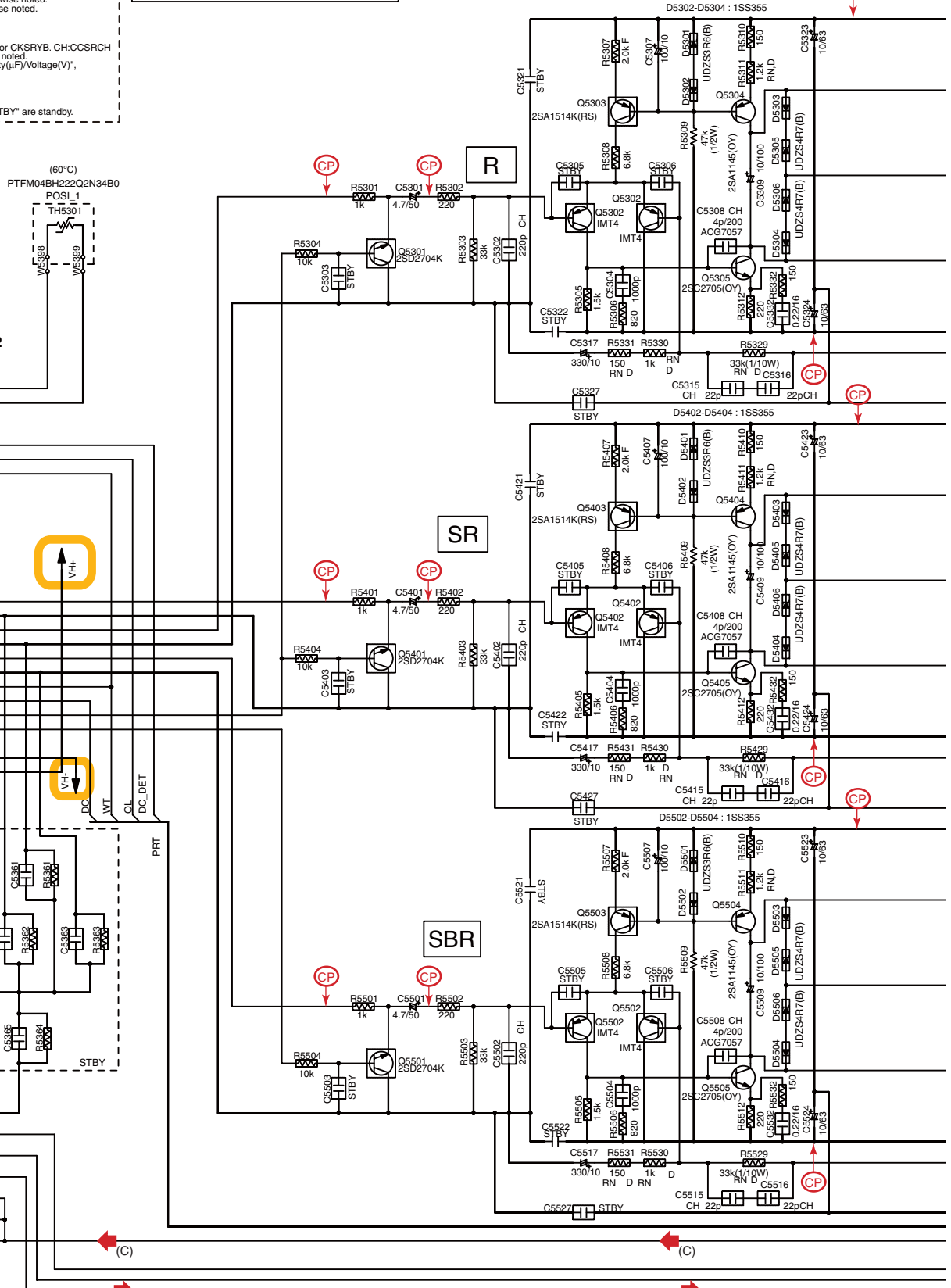
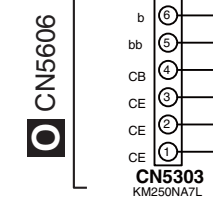
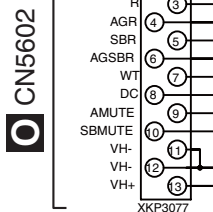
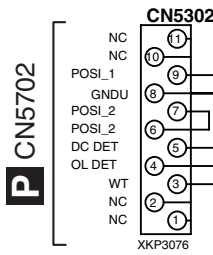
B

C


D

E

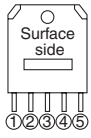
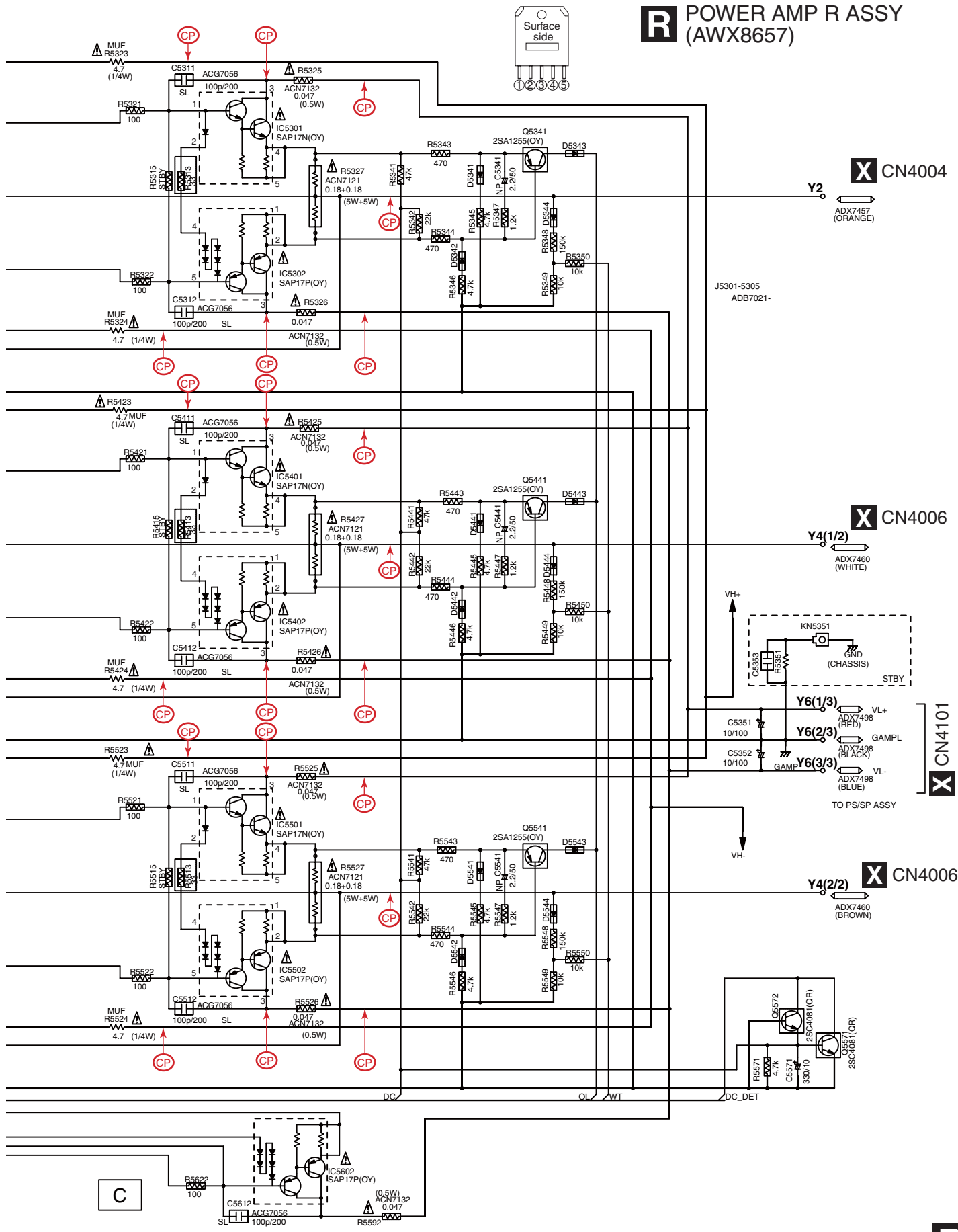
F



 : AUDIO SIGNAL ROUTE(C)

CAUTION
Do not touch any points on the PCB other than  with an oscilloscope/tester while power is applied.
(It may damage the amplifier due to the oscillation generated.)

R POWER AMP R ASSY (AWX8657)



X CN4004

X CN4006

X CN4101

X CN4006

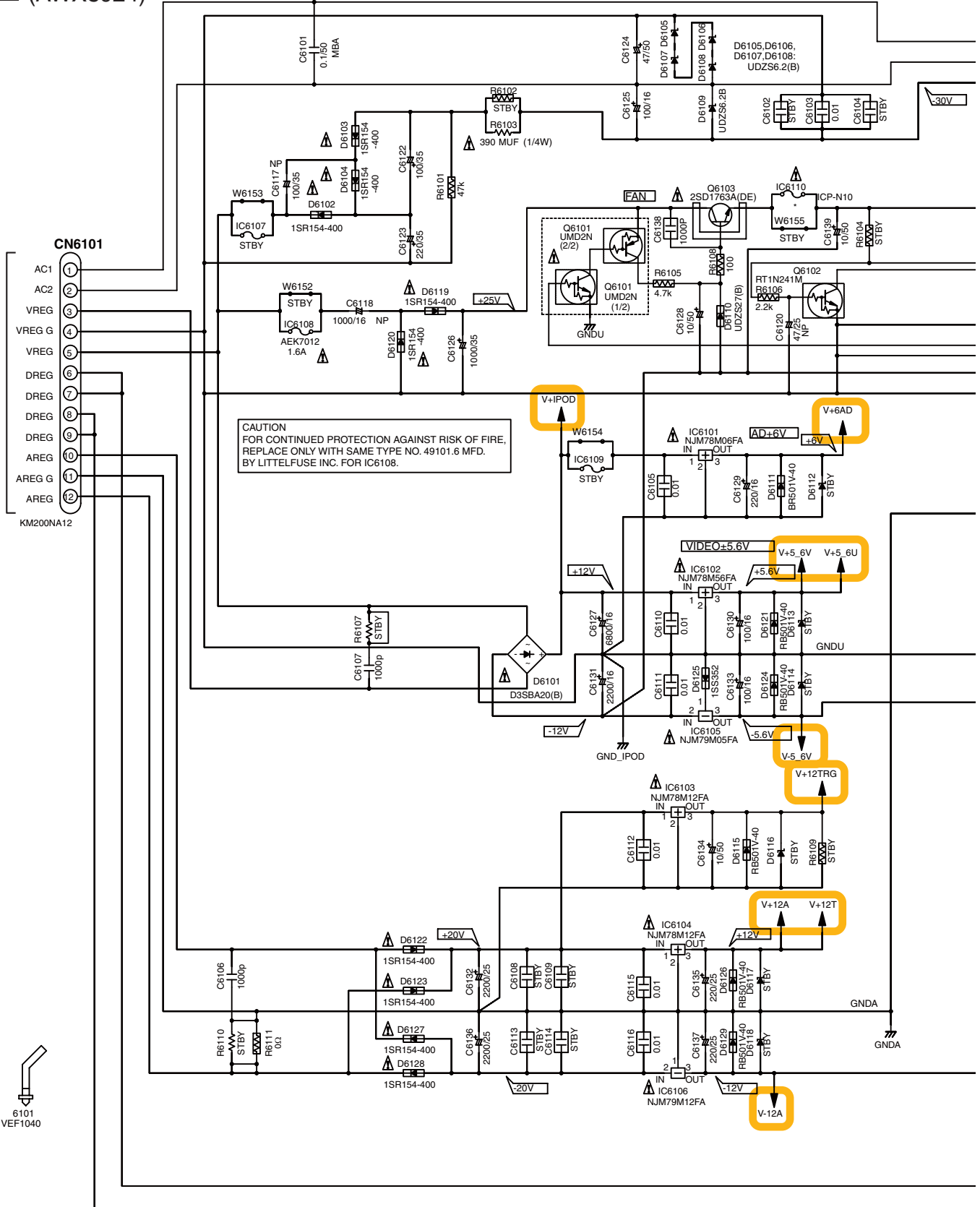
C

VSX-LX70

R

10.26 LOCAL SUPPLY and DC/DC ASSYS

LOCAL SUPPLY ASSY (AWX8924)

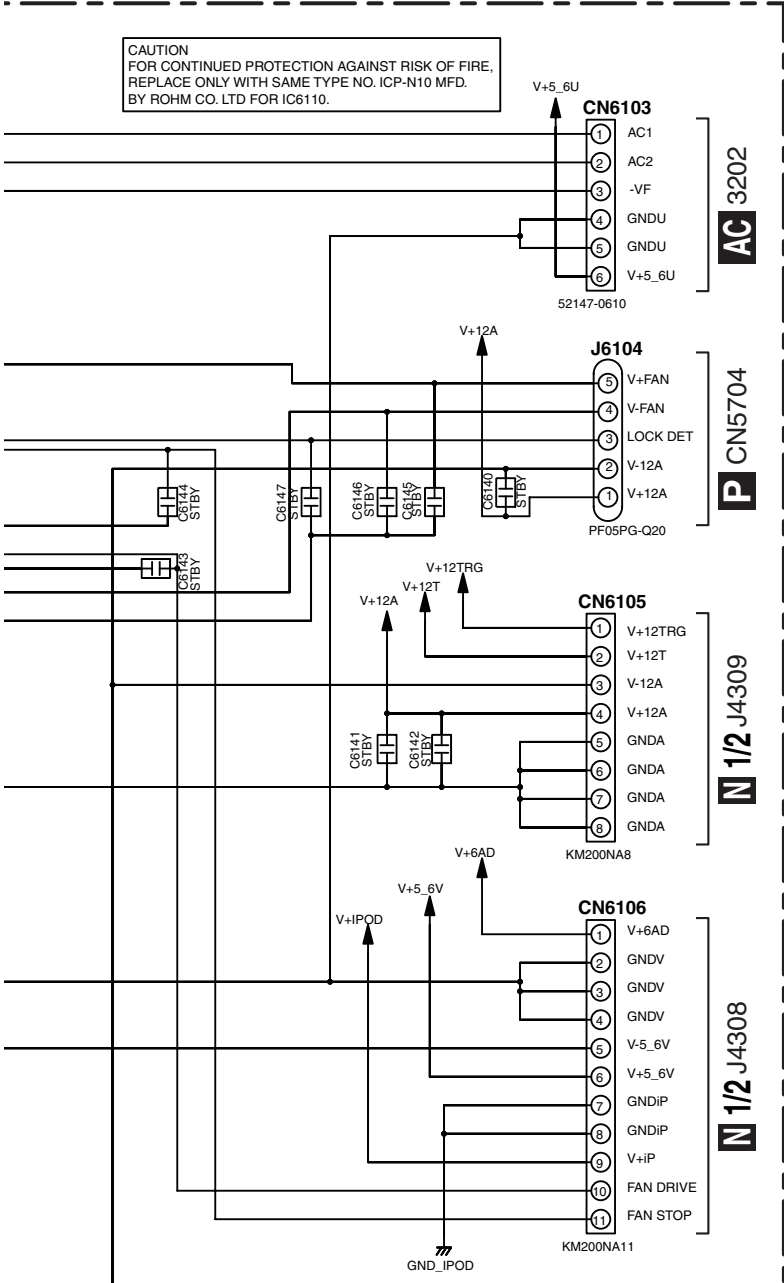


CAUTION
 FOR CONTINUED PROTECTION AGAINST RISK OF FIRE,
 REPLACE ONLY WITH SAME TYPE NO. ICP-N10 MFD.
 BY ROHM CO. LTD FOR IC6110.

NOTES

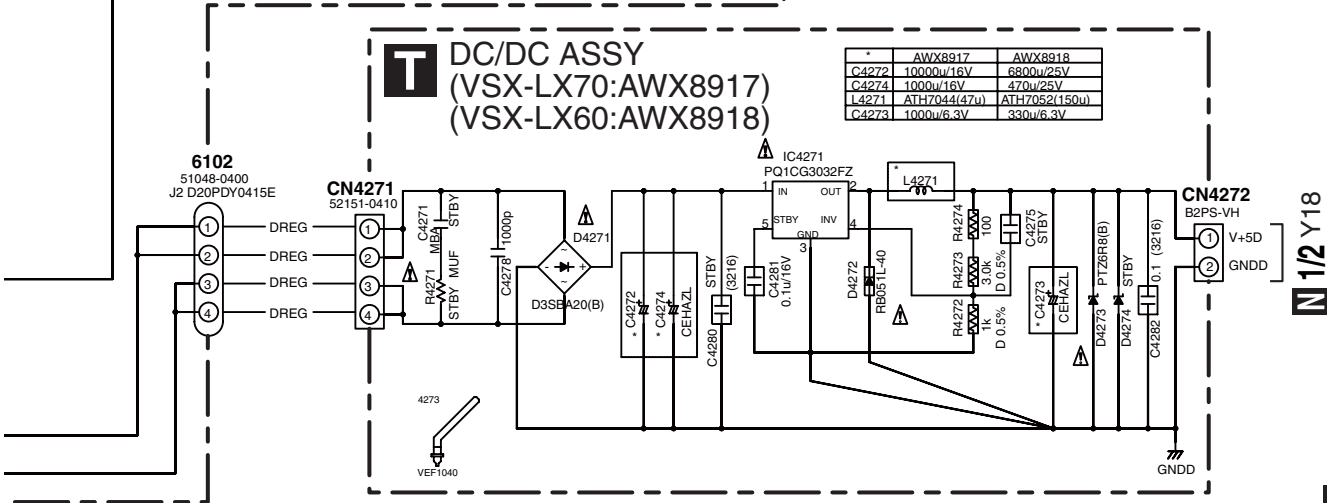
- RESISTORS**
 Unit: k- Ω , M- Ω or Ω unless otherwise noted.
 Rated power: 1/16W unless otherwise noted.
 Tolerance: $\pm 5\%$ (J) unless otherwise noted.
- CAPACITORS**
 No marked Capacitors are CEAT or CKSRYB, MBA,COMBA
 Unit: p-pF or μ F unless otherwise noted.
 Rated Voltage: shown as "Capacity(μ F)/Voltage(V)",
 or 50V unless otherwise noted.
- DIODES**
 No marked Diodes are 1SS352.
 * Parts or parts block marked by "STBY" are standby.

CAUTION
 FOR CONTINUED PROTECTION AGAINST RISK OF FIRE,
 REPLACE WITH SAME TYPE AND RATINGS OF FUSE.



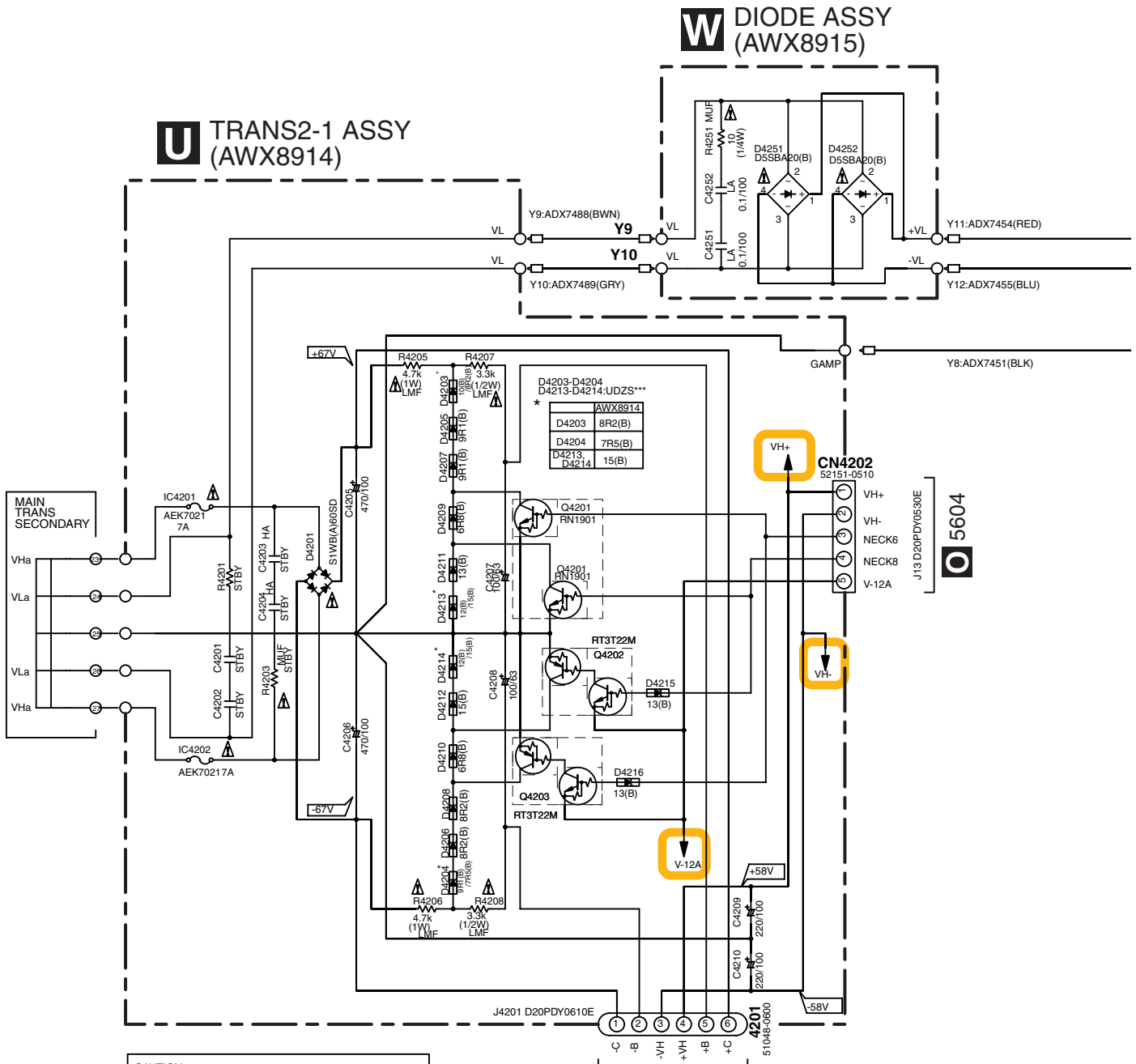
T DC/DC ASSY
 (VSX-LX70:AWX8917)
 (VSX-LX60:AWX8918)

	AWX8917	AWX8918
C4272	1000u/16V	680u/25V
C4274	1000u/16V	470u/25V
L4271	ATH7044(47u)	ATH7052(150u)
C4273	1000u/6.3V	330u/6.3V



10.27 TRANS2-1, VH-TR, DIODE and SP/PS ASSYS

A
B
C
D
E
F



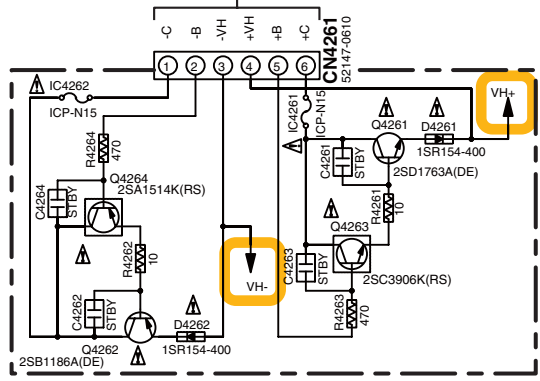
* AWX8914	
D4203	8R2(B)
D4204	7R5(B)
D4213, D4214	15(B)

CAUTION
FOR CONTINUED PROTECTION AGAINST RISK OF FIRE,
REPLACE ONLY WITH SAME TYPE NO. 491007 MFD.
BY LITTELFUSE INC. FOR IC4201-4202.

CAUTION
FOR CONTINUED PROTECTION AGAINST RISK OF FIRE,
REPLACE ONLY WITH SAME TYPE NO. ICP-N15 MFD.
BY ROHM CO.,LTD FOR IC4261-4262.

The Δ mark found on some component parts should be replaced with same parts (safety regulation authorized) of identical designation.

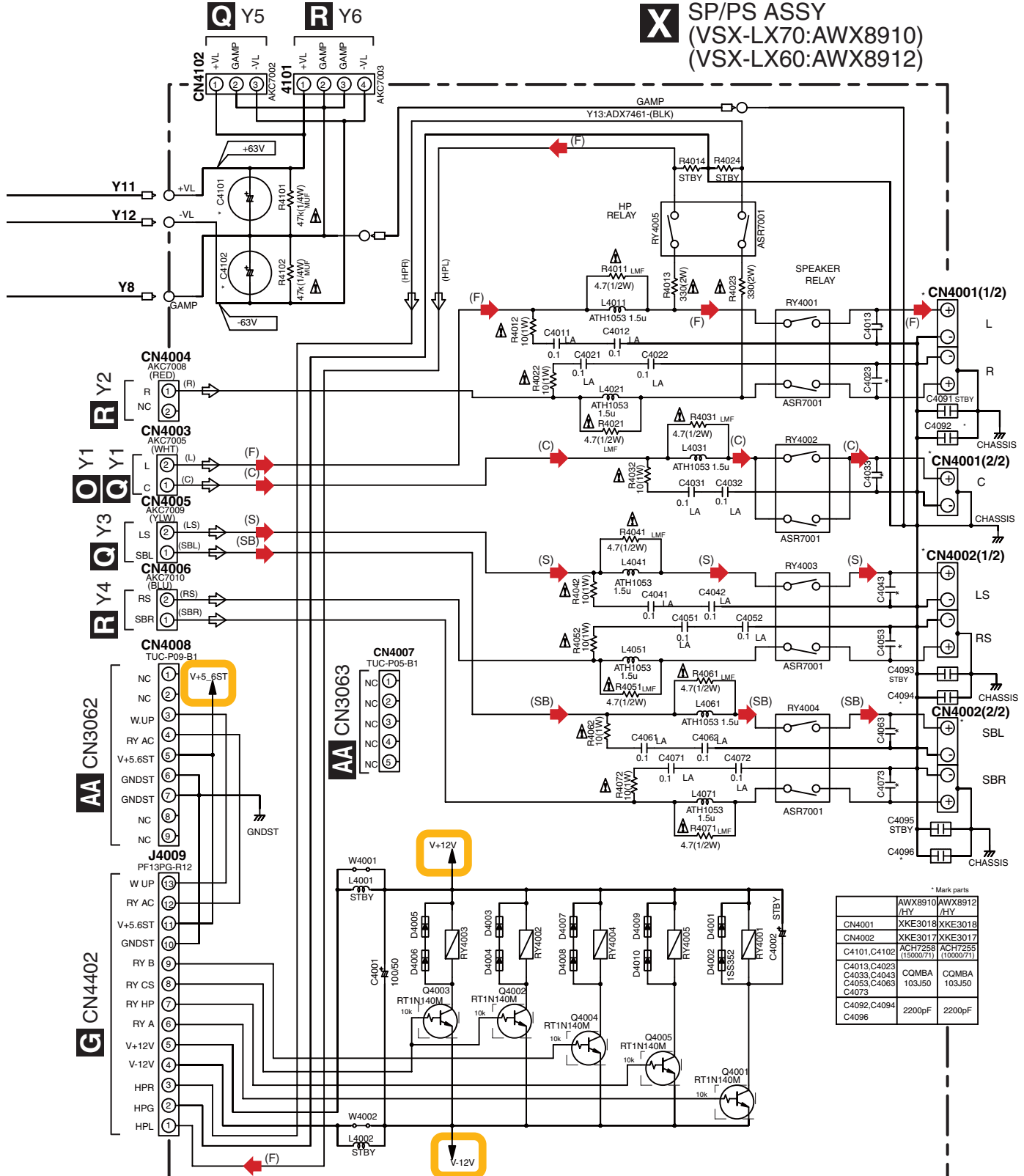
- NOTES**
- RESISTORS**
Unit: k-k Ω , M-M Ω or Ω unless otherwise noted.
Rated power: 1/16W unless otherwise noted.
Tolerance: $\pm 5\%$ (J) unless otherwise noted.
 - CAPACITORS**
No marked Capacitors are CEAT or CKSRYB.
Unit: p-pF or μ F unless otherwise noted.
Rated Voltage: shown as "Capacity(μ F)/Voltage(V)", or 50V unless otherwise noted.
MBA,COMBA, LAC,CTLA, HA,COHA
 - DIODES**
No marked Diodes are 1SS352.
* Parts or parts block marked "STBY" are standby.



V VH-TR ASSY (AWX8916)



X SP/PS ASSY
 (VSX-LX70:AWX8910)
 (VSX-LX60:AWX8912)



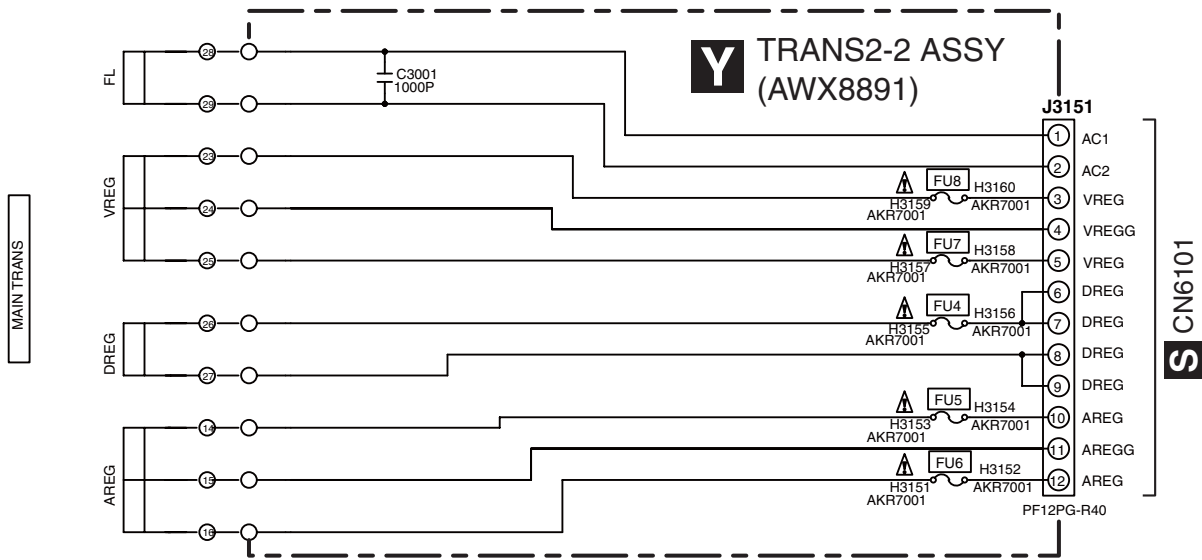
* Mark parts

	AWX8910	AWX8912
	/HY	/HY
CN4001	XKE3018	XKE3018
CN4002	XKE3017	XKE3017
C4101, C4102	ACH7258 (15000/71)	ACH7255 (10000/71)
C4013, C4023	COMBA	COMBA
C4033, C4043	103J50	103J50
C4053, C4063		
C4073		
C4092, C4094	2200pF	2200pF
C4096		

- (F) : AUDIO SIGNAL ROUTE (F)
- (C) : AUDIO SIGNAL ROUTE (C)
- (S) : AUDIO SIGNAL ROUTE (S)
- (SB) : AUDIO SIGNAL ROUTE (SB)



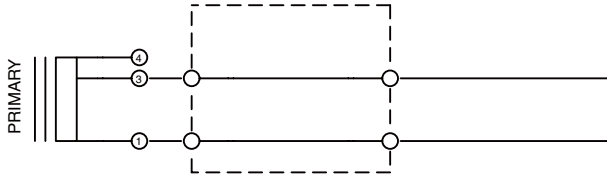
10.28 TRANS2-2,TRANS1 and PRIMARY ASSYS



CAUTION
FOR CONTINUED PROTECTION AGAINST RISK OF FIRE,
REPLACE WITH SAME TYPE AND RATINGS OF FUSE.

	FU1	FU4	FU5,6	FU7,8
HY	T5AL/250V	REK1028 (T4AL/250V)	REK1021 (T800mAL/250V)	REK1026 (T2.5AL/250V)

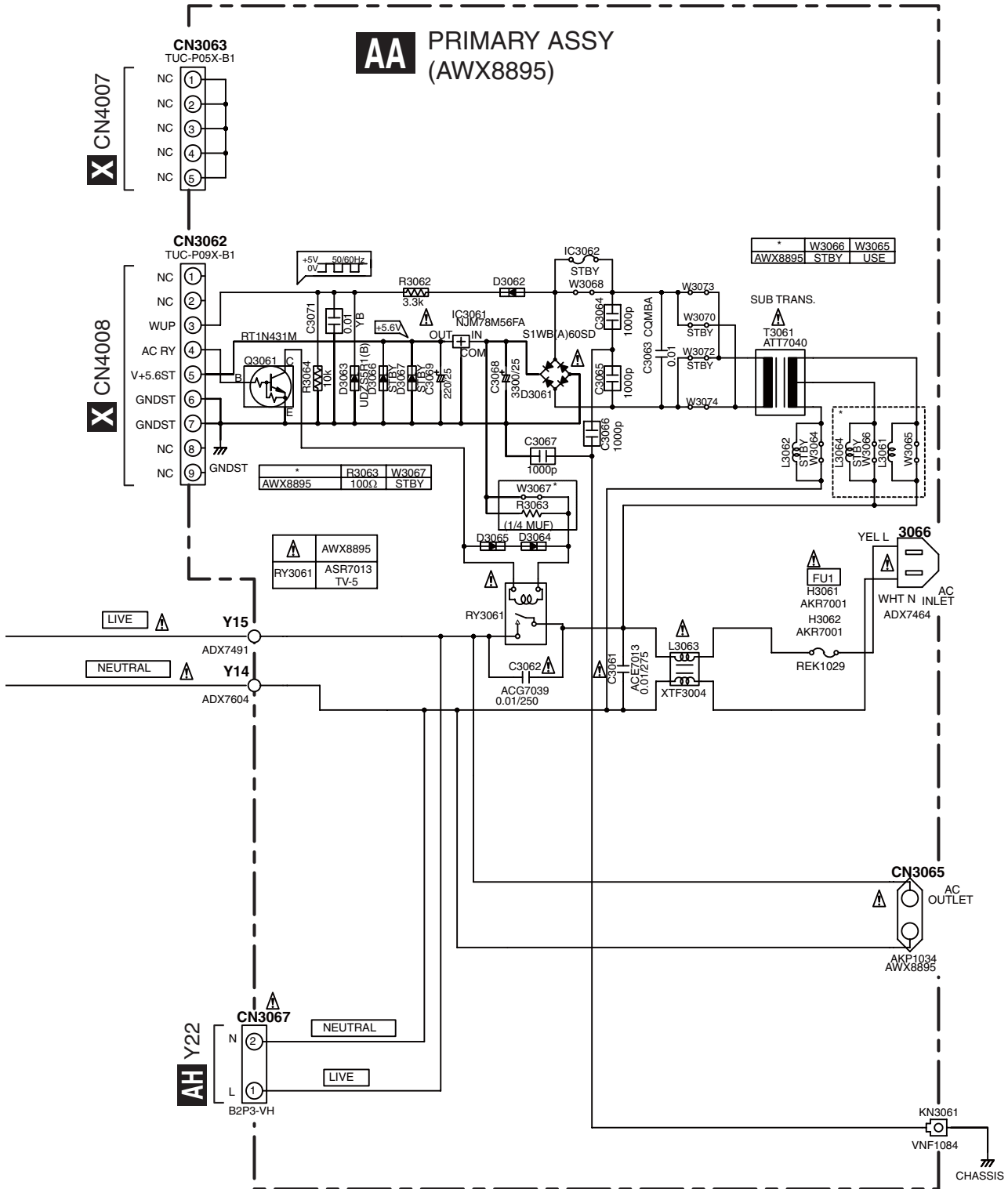
AL TRANS1 ASSY



CAUTION
FOR CONTINUED PROTECTION AGAINST RISK OF FIRE,
REPLACE WITH SAME TYPE AND RATINGS OF FUSE.

- NOTES**
- RESISTORS**
Unit: k-kΩ, M-MΩ or Ω unless otherwise noted.
Rated power: 1/16W unless otherwise noted.
Tolerance: ±5%(J) unless otherwise noted.
 - CAPACITORS**
No marked Capacitors are CEAT or CKSRYB.
Unit: p-pF or μF unless otherwise noted.
Rated Voltage: shown as "Capacity(μF)/Voltage(V)", or 50V unless otherwise noted.
 - DIODES**
No marked Diodes are 1SS352.
* Parts or parts block marked by "STBY" are standby.

AA PRIMARY ASSY
(AWX8895)



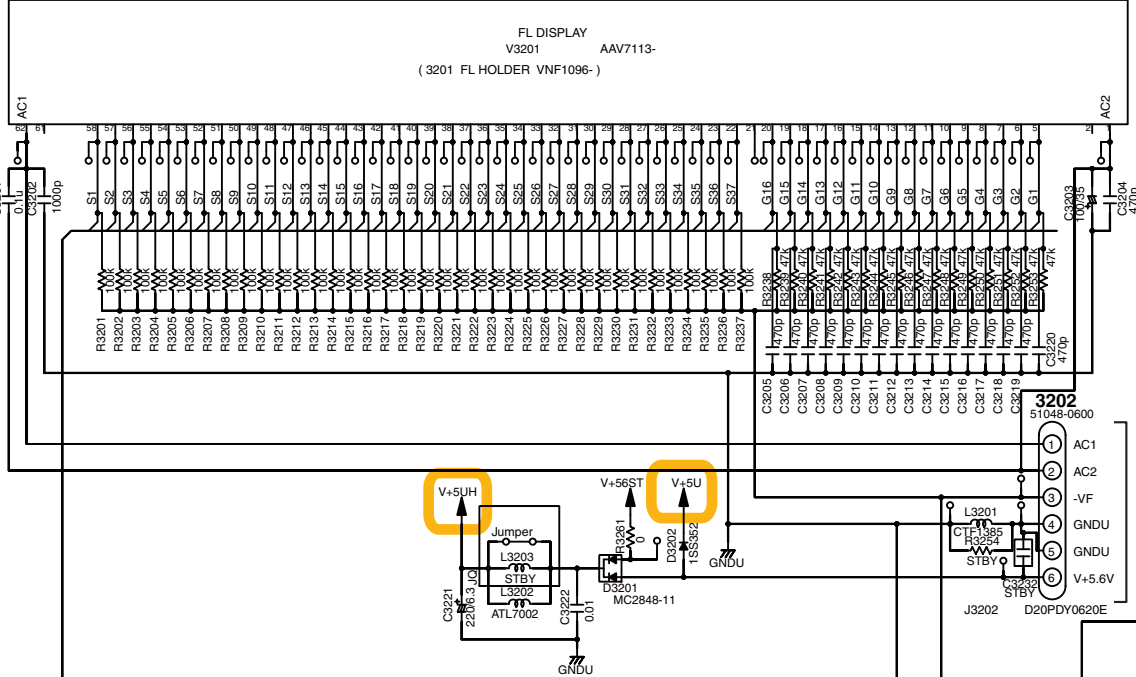
The ⚠ mark found on some component parts should be replaced with same parts (safety regulation authorized) of identical designation.

10.29 VOLUME, DISPLAY, POWER SW and INPUT SELECT ASSYS

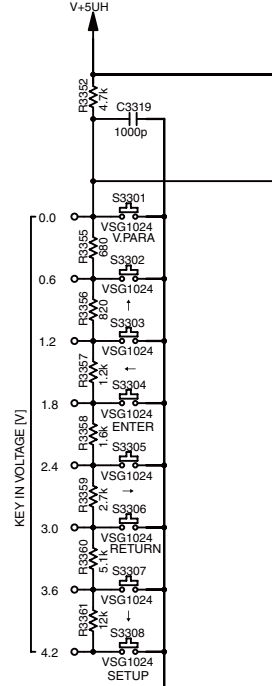
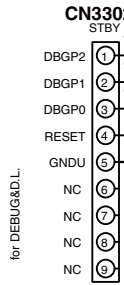
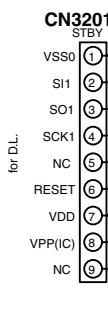
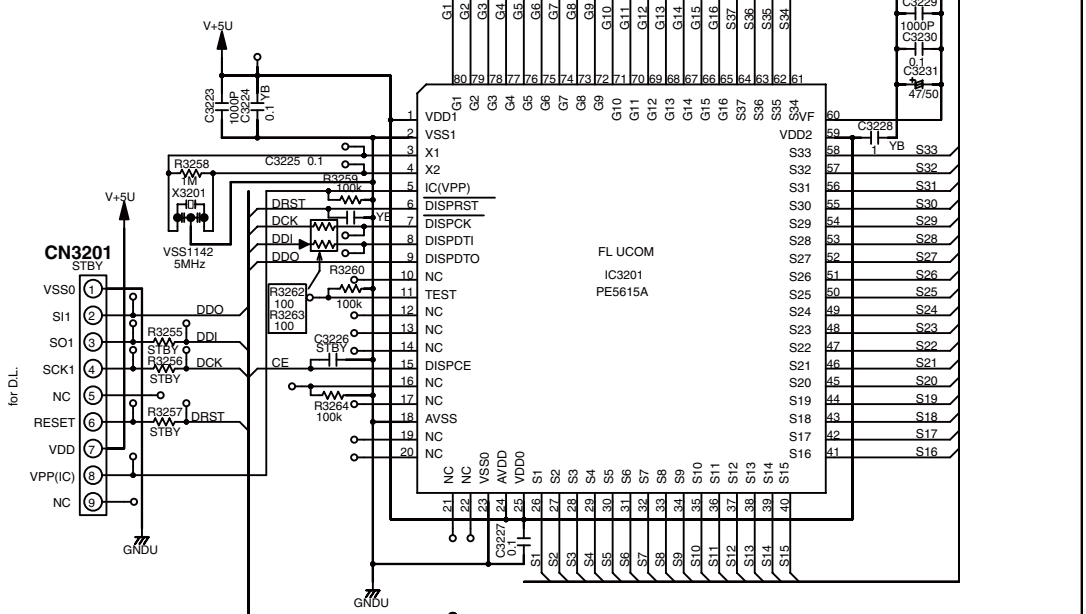
AC DISPLAY ASSY (AWX8900)

- Switches
- S3301 : V.PARA
 - S3302 : ↑
 - S3303 : ↓
 - S3304 : ENTER
 - S3305 : →
 - S3306 : RETURN
 - S3307 : ↓
 - S3308 : SETUP
 - S3309 : MULTI ROOM
 - S3310 : BAND
 - S3311 : T.EDIT
 - S3312 : AUTSURR
 - S3313 : MCACC
 - S3314 : PHASE CON
 - S3315 : SP
 - S3316 : A.PARA
 - S3317 : HOME
 - S3318 : STANDARD
 - S3319 : ADVA
 - S3320 : STEREO
 - S3321 : SBCh
 - S3322 : SIG SELE
 - S3323 : CONTROL

FL DISPLAY
V3201 AAV7113-
(3201 FL HOLDER VNF1096-)



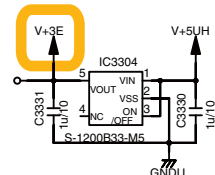
S CN6103



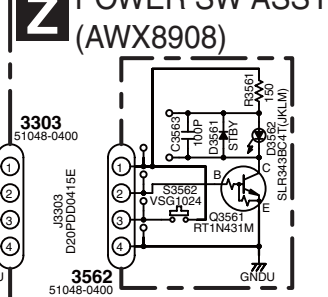
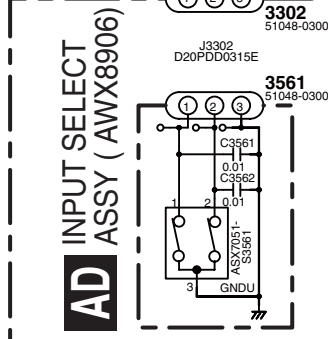
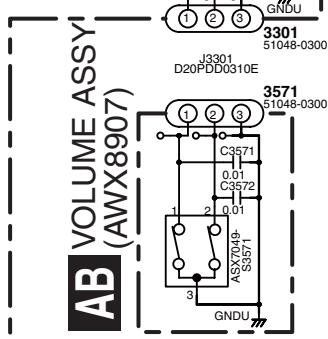
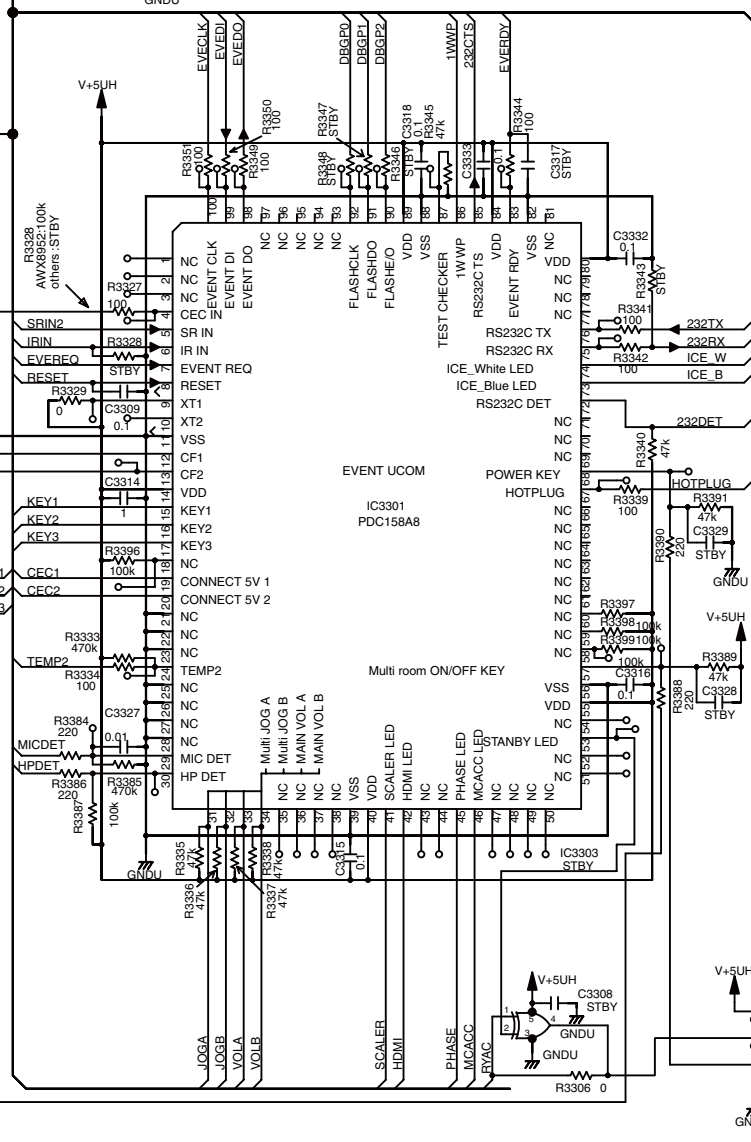
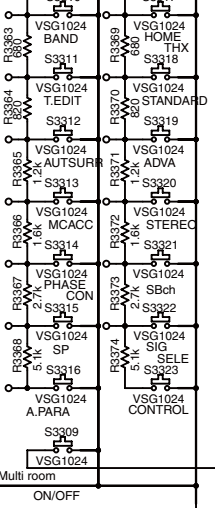
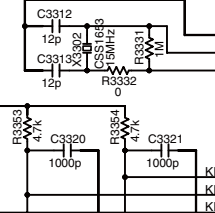
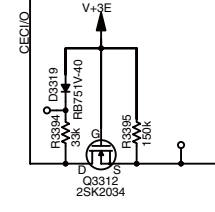
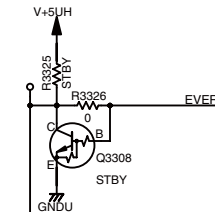
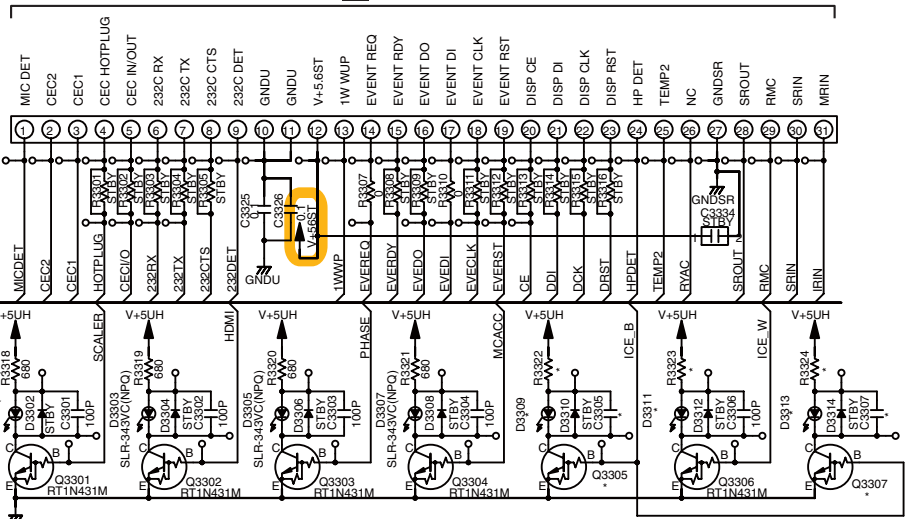
AC

L 17 CN103

AWX8900
R3322 150
R3324 150
D3309 SLR343BC4T(JKLM)
D3313 SLR343BC4T(JKLM)
Q3307 RT1N431M
R3323 560
D3311 SLR343WBCT(MNPO)
C3305 100P
C3307 100P



CN3301 VKN1291



10.30 PREOUT & CONTROL ASSY

A

B

C

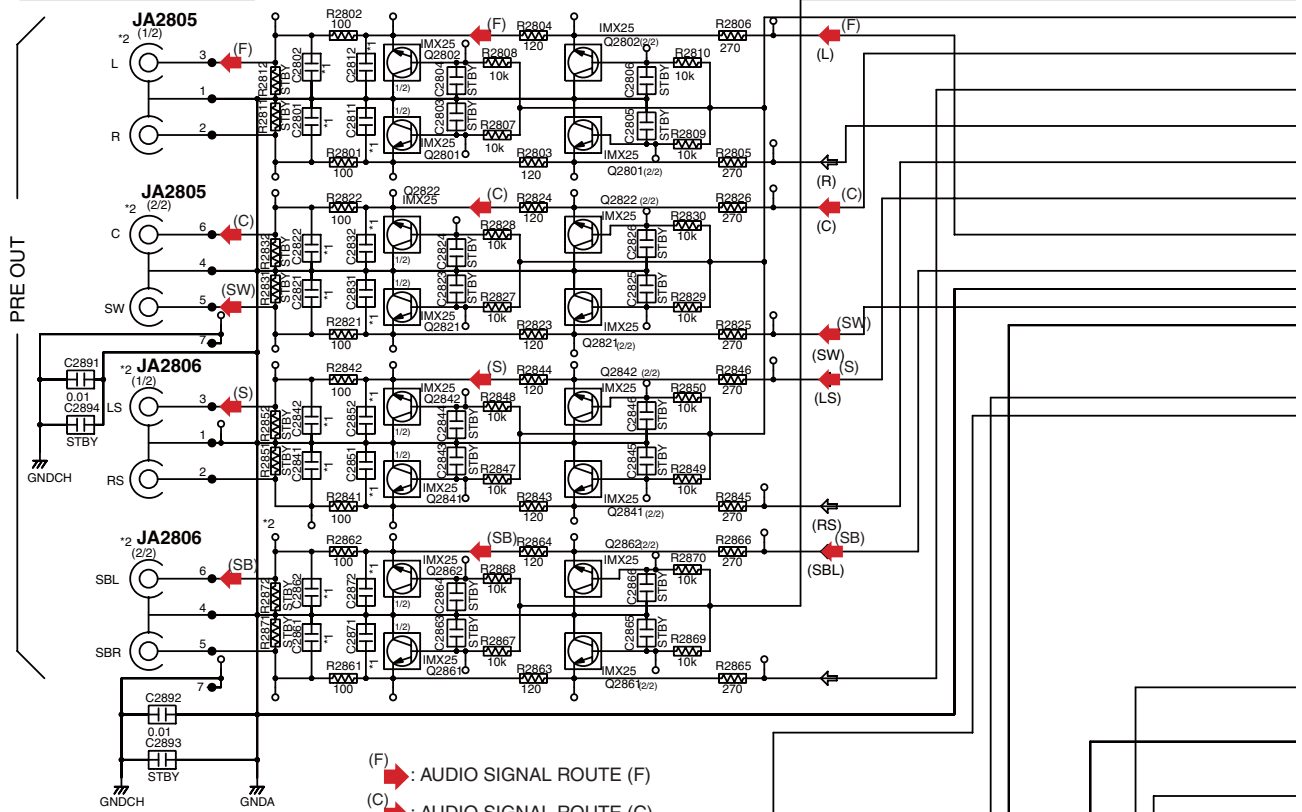
D

E

F

*2	AWX8889
JA2805	AKB7172
JA2806	

PREOUT

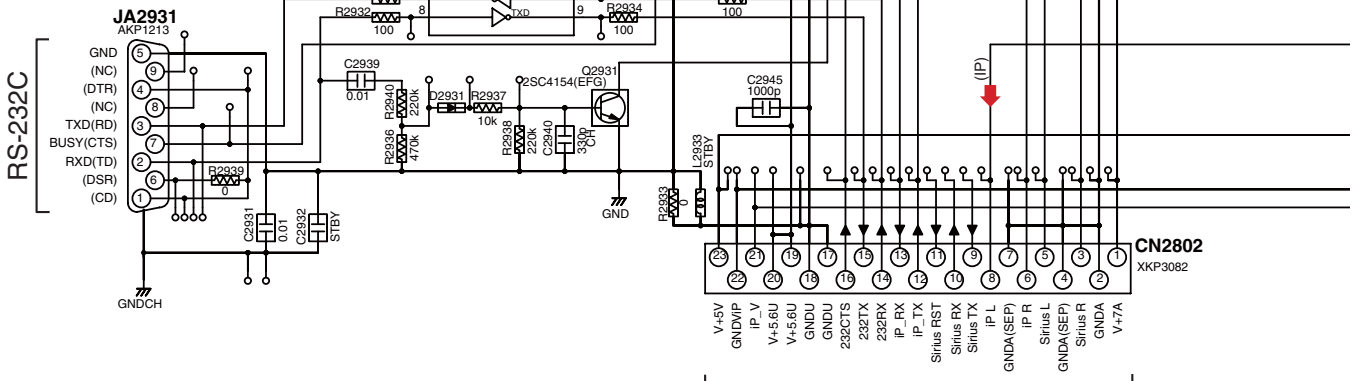


*1	AWX8889
C2801, C2802 C2803, C2822 C2841, C2842 C2861, C2862 C2863, C2865 C2863, C2864	100p
C2811, C2812 C2813, C2832 C2851, C2852 C2871, C2872	270p

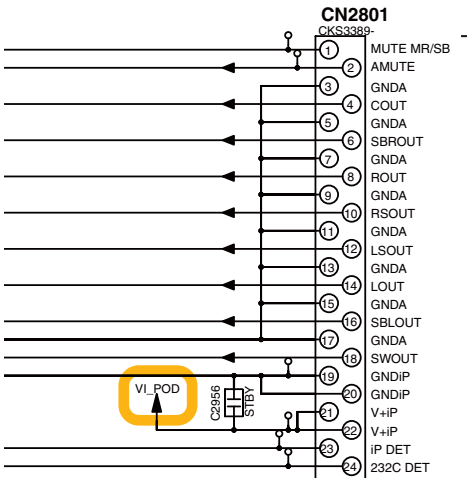
- (F) : AUDIO SIGNAL ROUTE (F)
- (C) : AUDIO SIGNAL ROUTE (C)
- (S) : AUDIO SIGNAL ROUTE (S)
- (SB) : AUDIO SIGNAL ROUTE (SB)
- (SW) : AUDIO SIGNAL ROUTE (SW)
- (IP) : AUDIO SIGNAL ROUTE (IP)

V+5.6U

232C

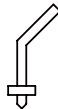


AE PREOUT & CONTROL ASSY (AWX8889)

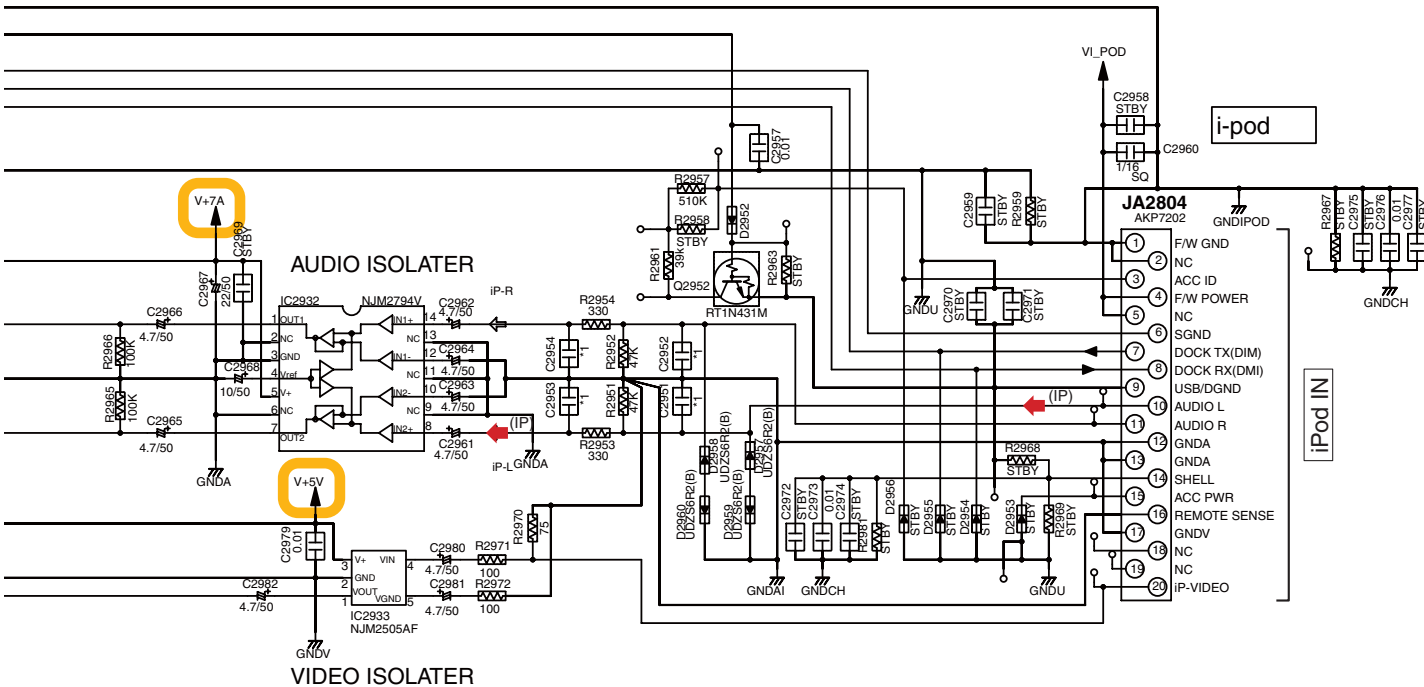
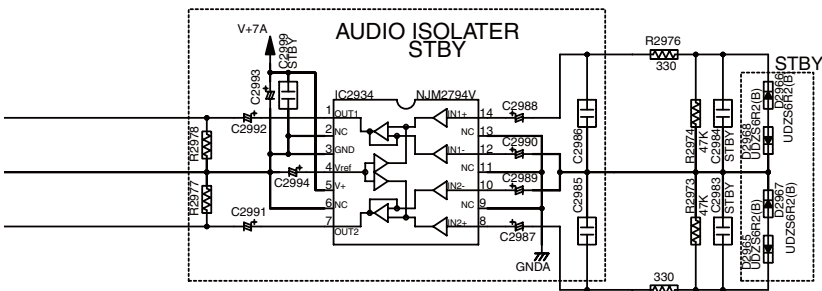


K 2/4 CN2602

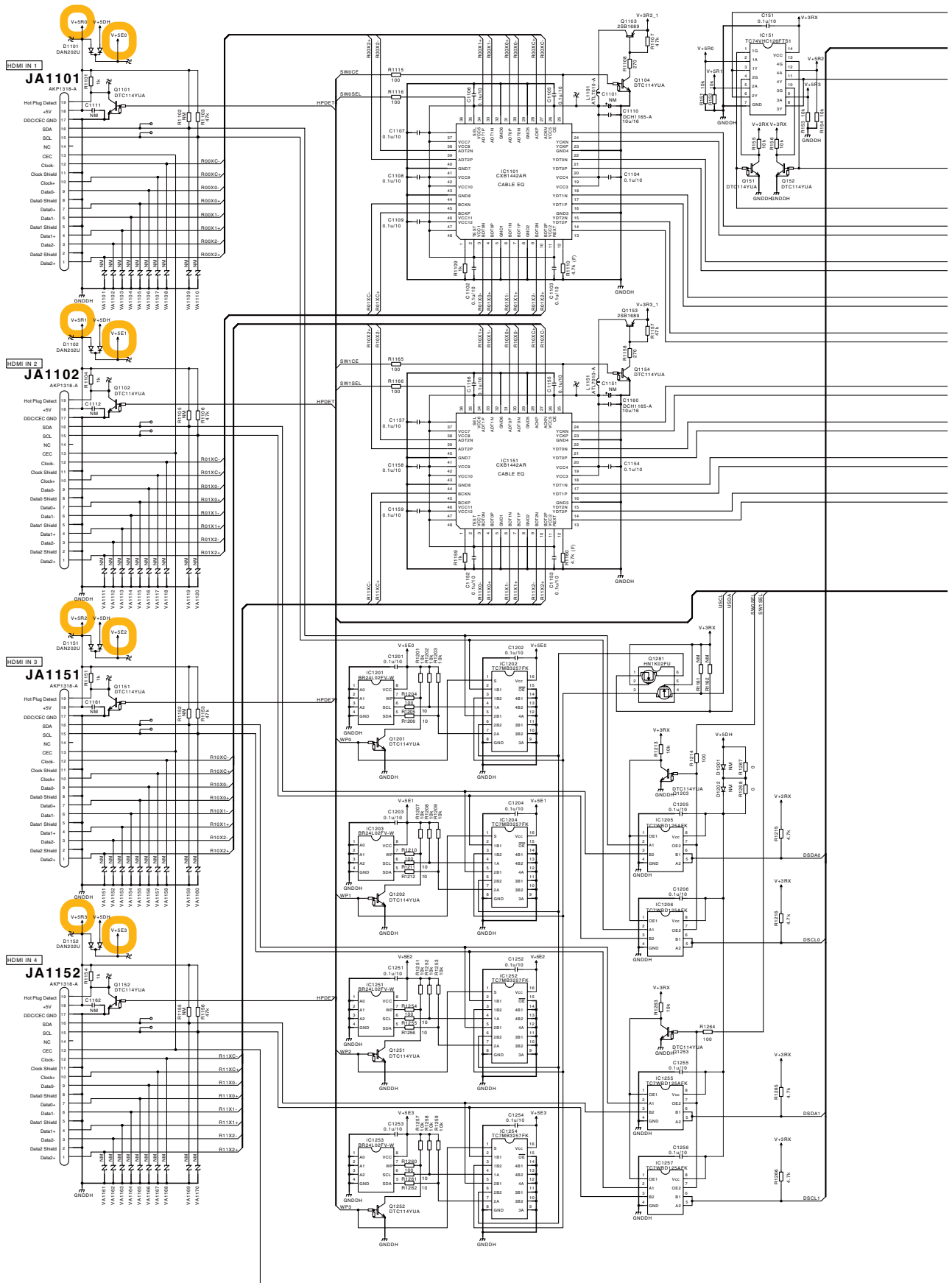
2801 VEF1040-STBY



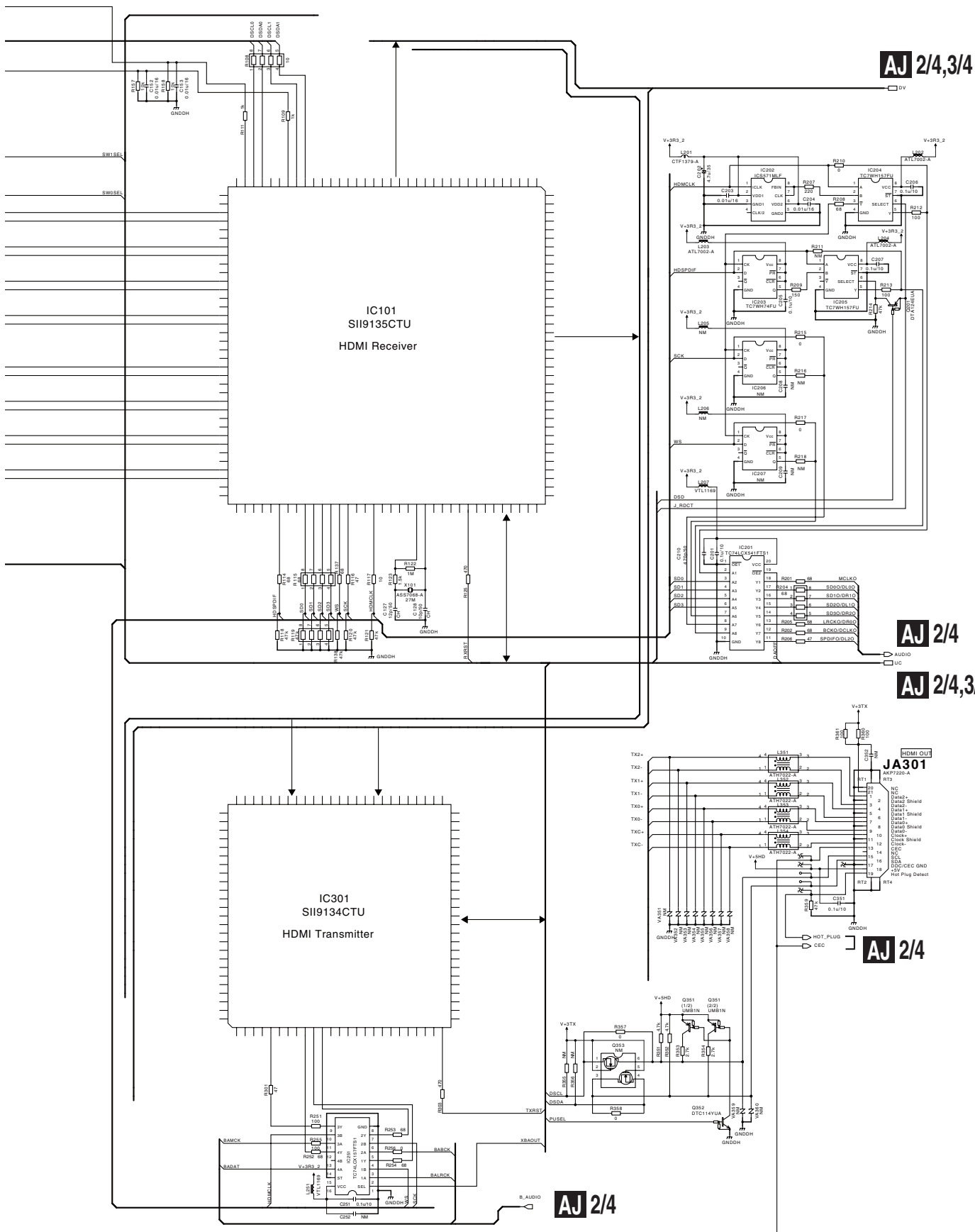
- NOTES**
- RESISTORS**
Unit: k-kΩ, M-MΩ or Ω unless otherwise noted.
Rated power: 1/16W unless otherwise noted.
Tolerance: ±5%(J) unless otherwise noted.
 - CAPACITORS**
No marked Capacitors are CEAT or CKSRYB.
Unit: p-pF or μF unless otherwise noted.
Rated Voltage: shown as *Capacity(μF)/Voltage(V)*, or 50V unless otherwise noted.
 - DIODES**
No marked Diodes are 1SS352.
* Parts or parts block marked by "STBY" are standby.



10.31 HDMI & DLNA ASSY (1/4) (VSX-LX70)



AJ 1/4 HDMI & DLNA ASSY (AWX8974)



AJ 2/4,3/4

AJ 2/4

AJ 2/4,3/4

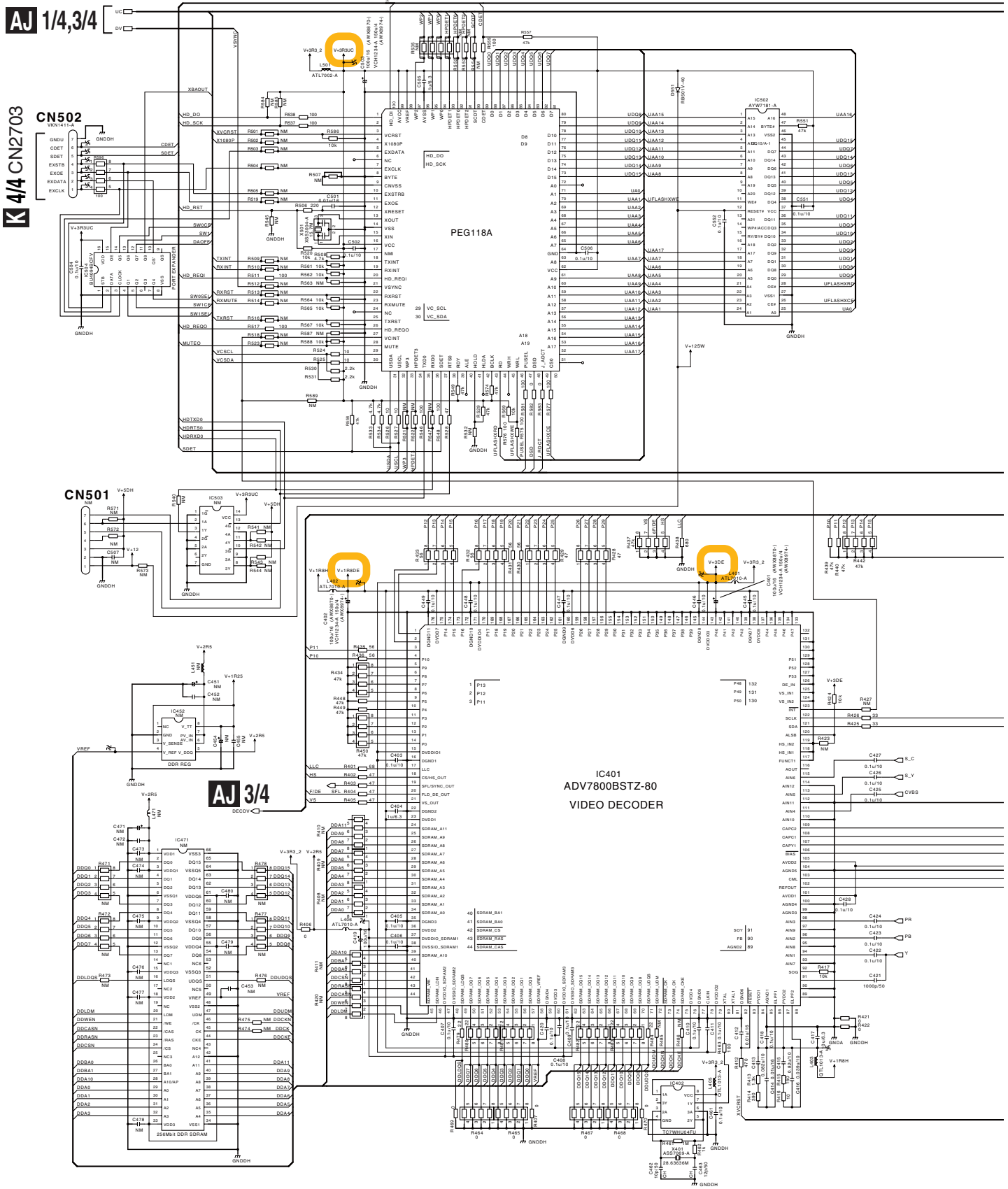
AJ 2/4

AJ 2/4

AJ 1/4

10.32 HDMI & DLNA ASSY (2/4) (VSX-LX70)

A
B
C
D
E
F

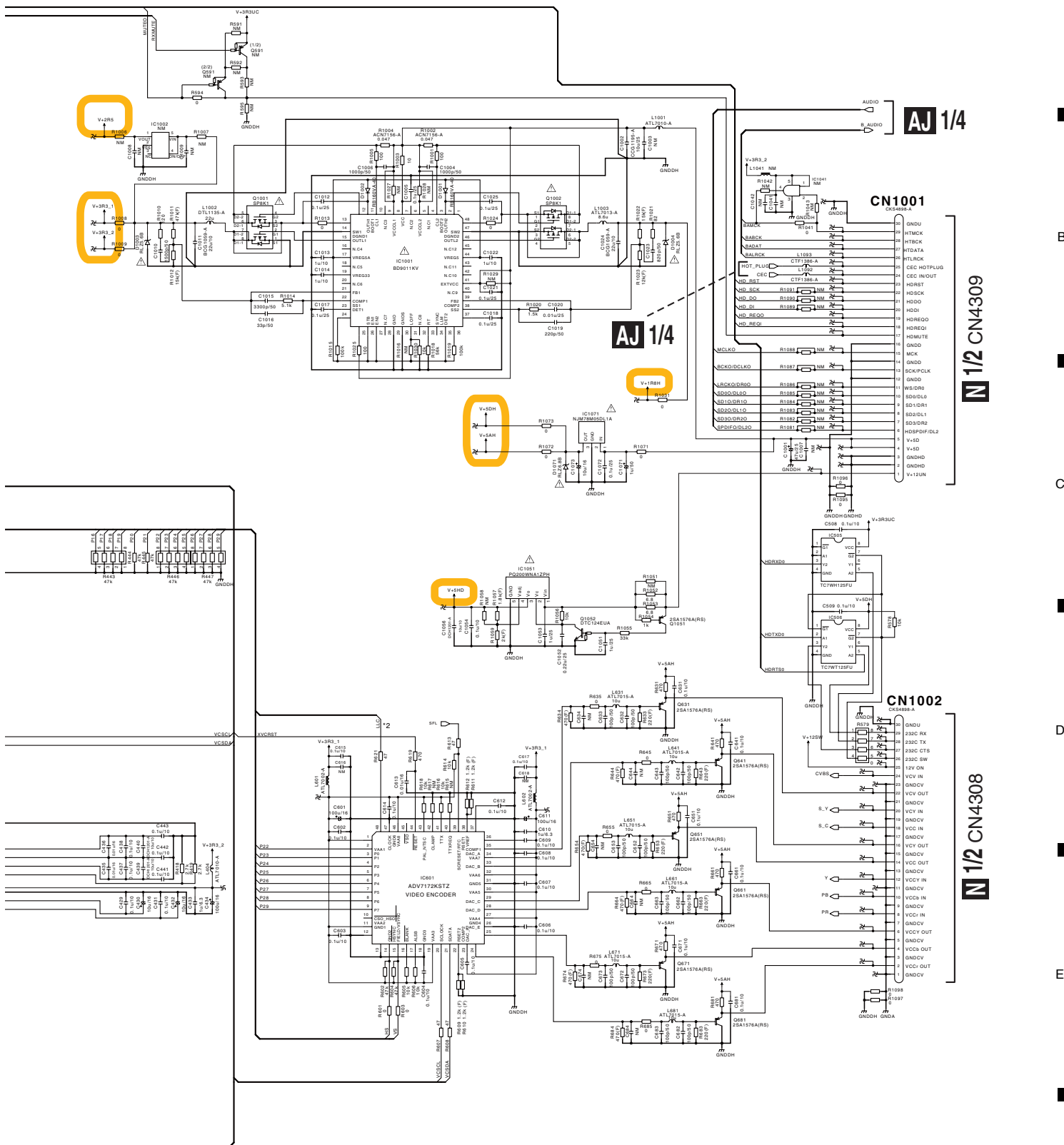


AJ 2/4

1 2 3 4

AJ 2/4 HDMI & DLNA ASSY (AWX8974)

A



AJ 1/4

AJ 1/4

1 1/2 CN4309

1 1/2 CN4308

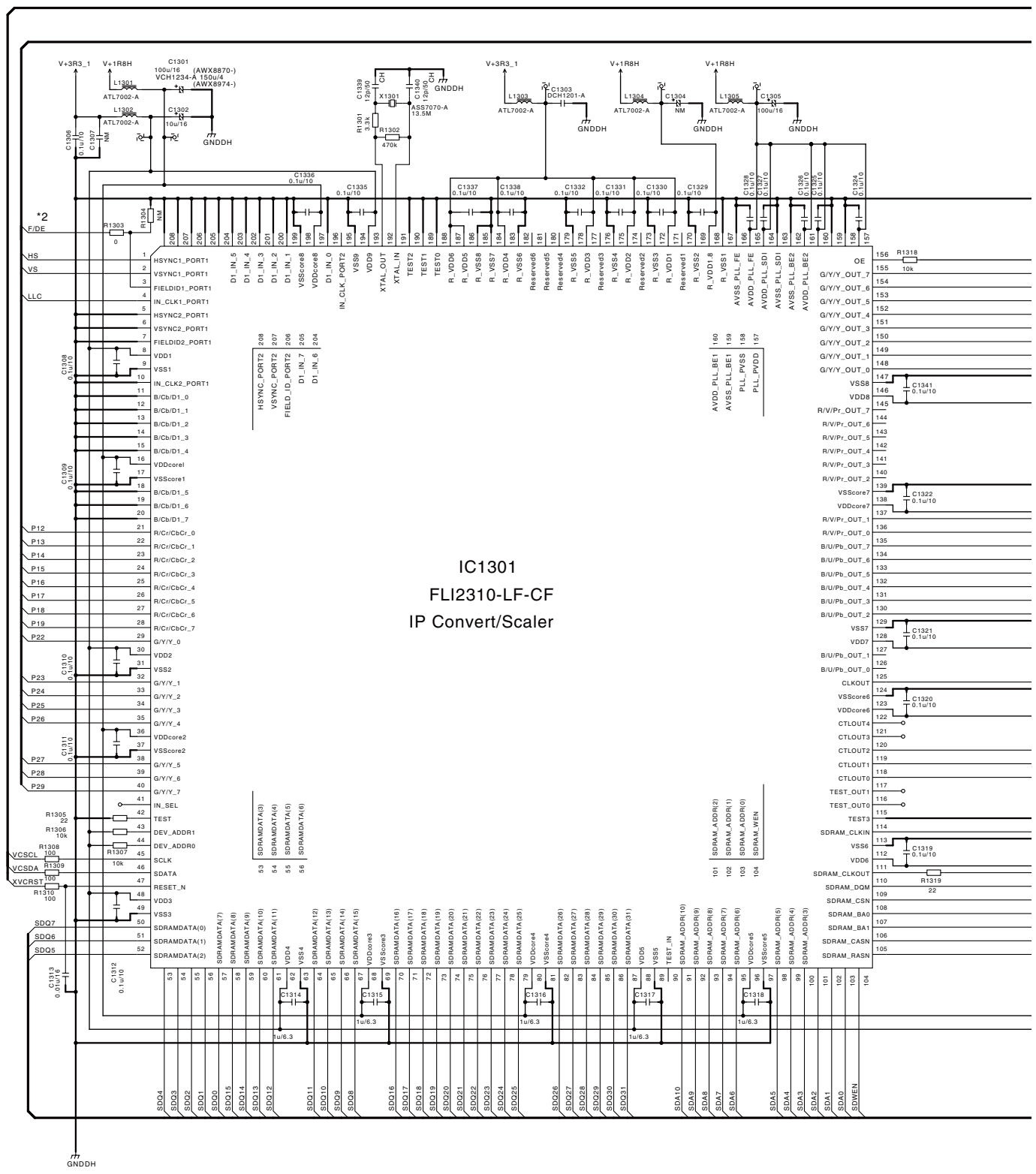
VSX-LX70

AJ 2/4

F

10.33 HDMI & DLNA ASSY (3/4) (VSX-LX70)

A
B
C
D
E
F



IC1301
FLI2310-LF-CF
IP Convert/Scaler

AJ 3/4 HDMI & DLNA ASSY (AWX8974)

A

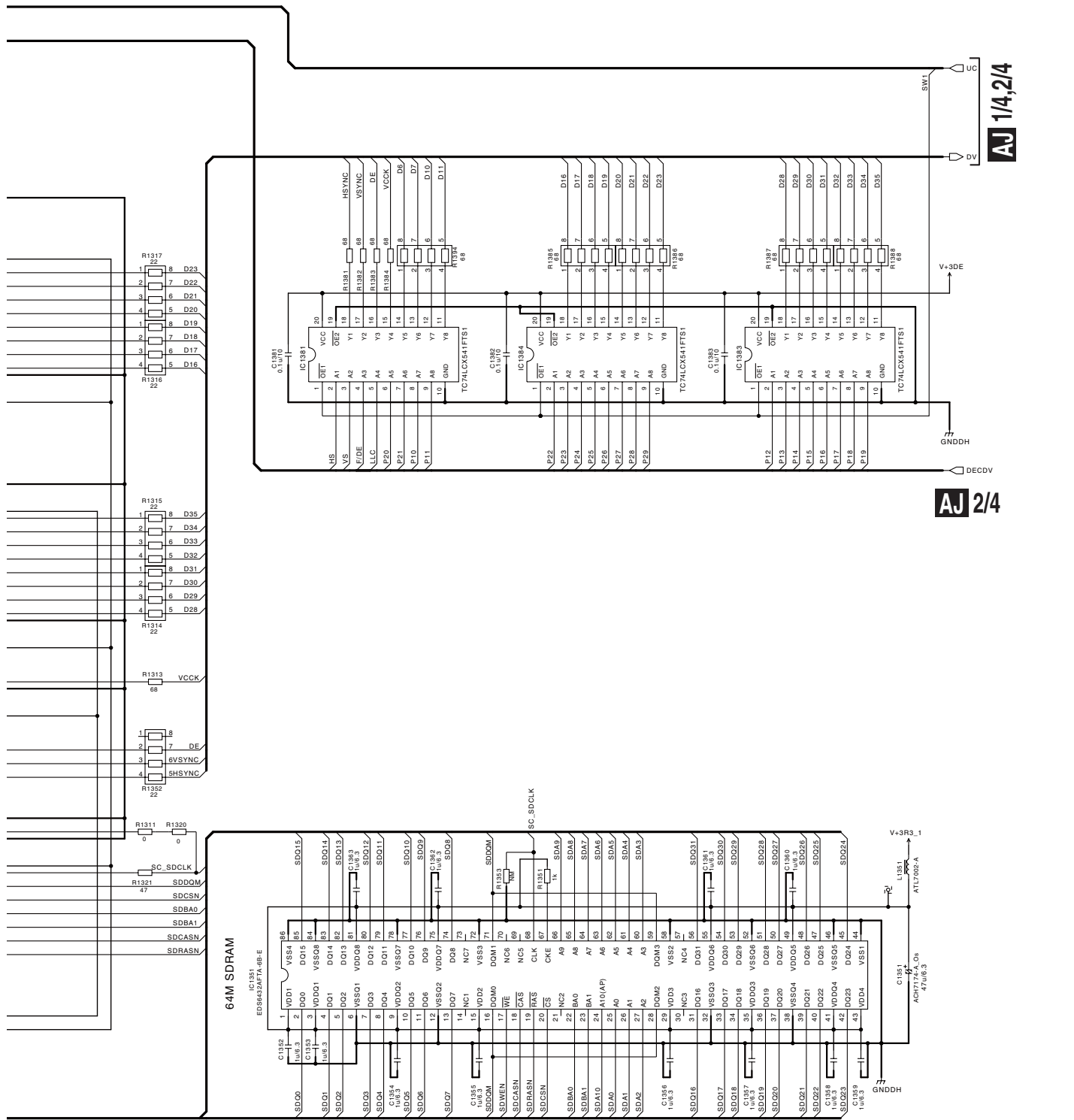
B

C

D

E

F



AJ 1/4,2/4

AJ 2/4

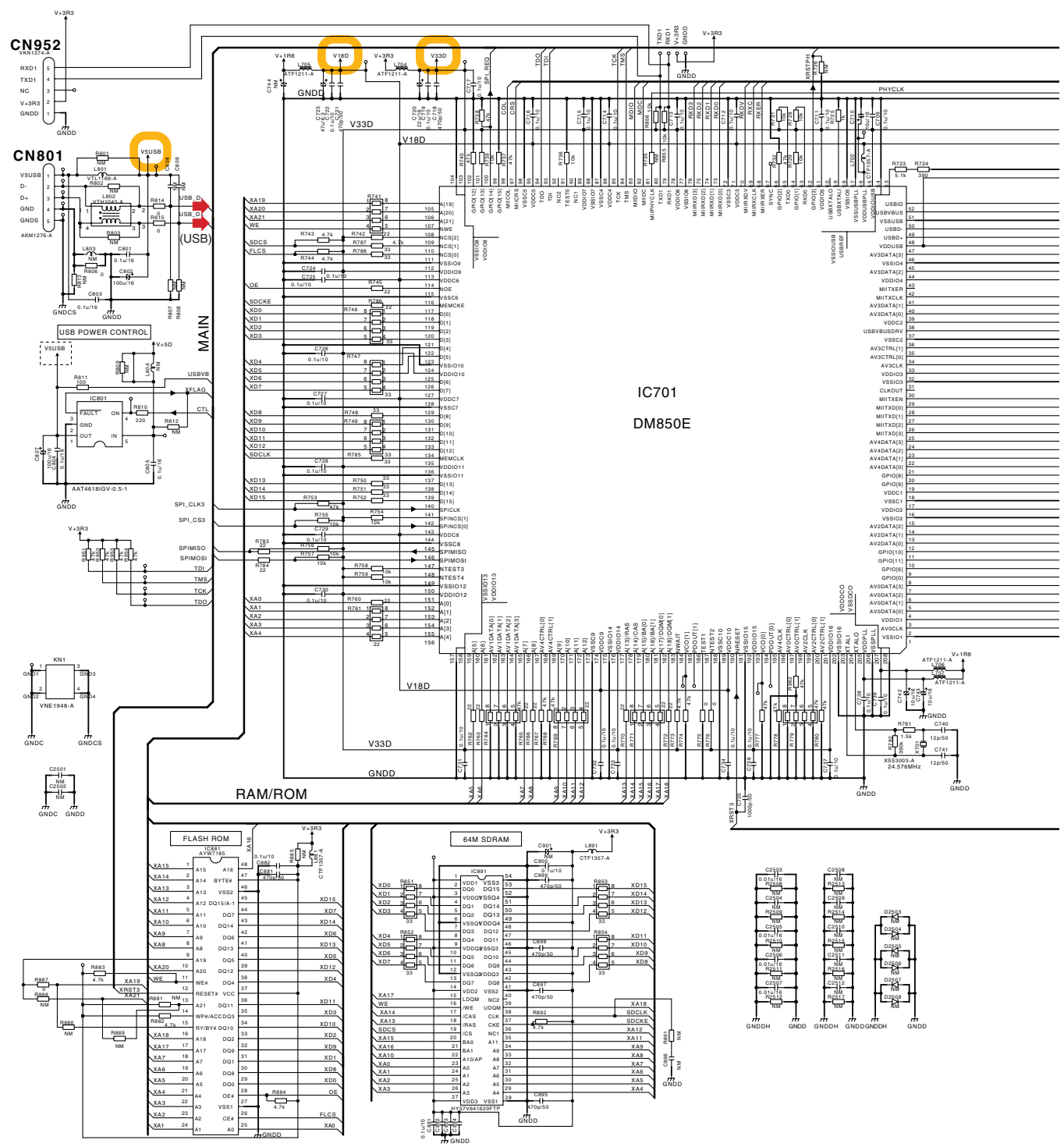
64M SDRAM

VSX-LX70

AJ 3/4

10.34 HDMI & DLNA ASSY (4/4) (VSX-LX70)

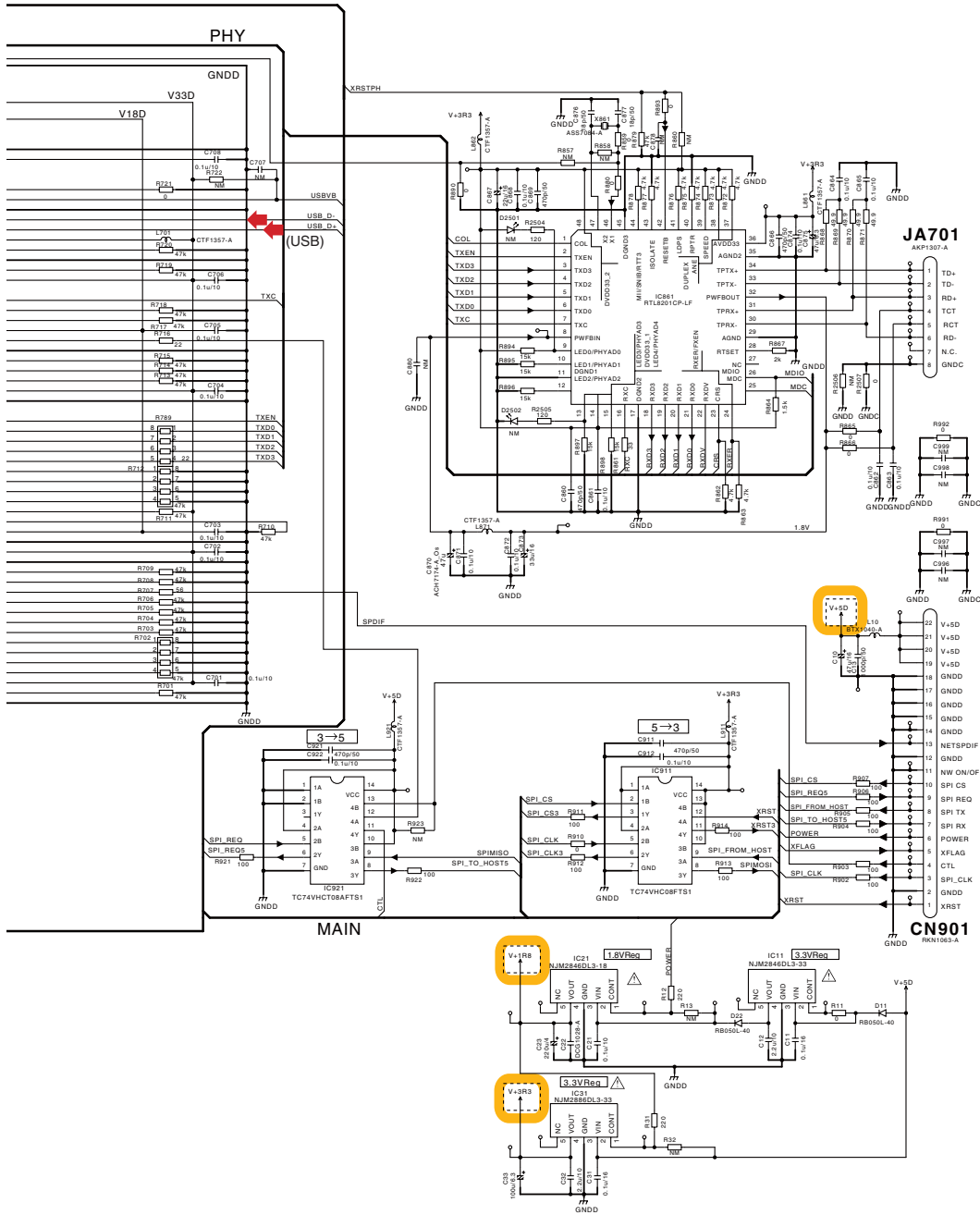
A
B
C
D
E
F



AJ 4/4 HDMI & DLNA ASSY (AWX8974)

A

(USB) → AUDIO SIGNAL ROUTE (USB)



B

C

D

E

F

10.35 HDMI & DVC ASSY (1/3) (VSX-LX60)

A

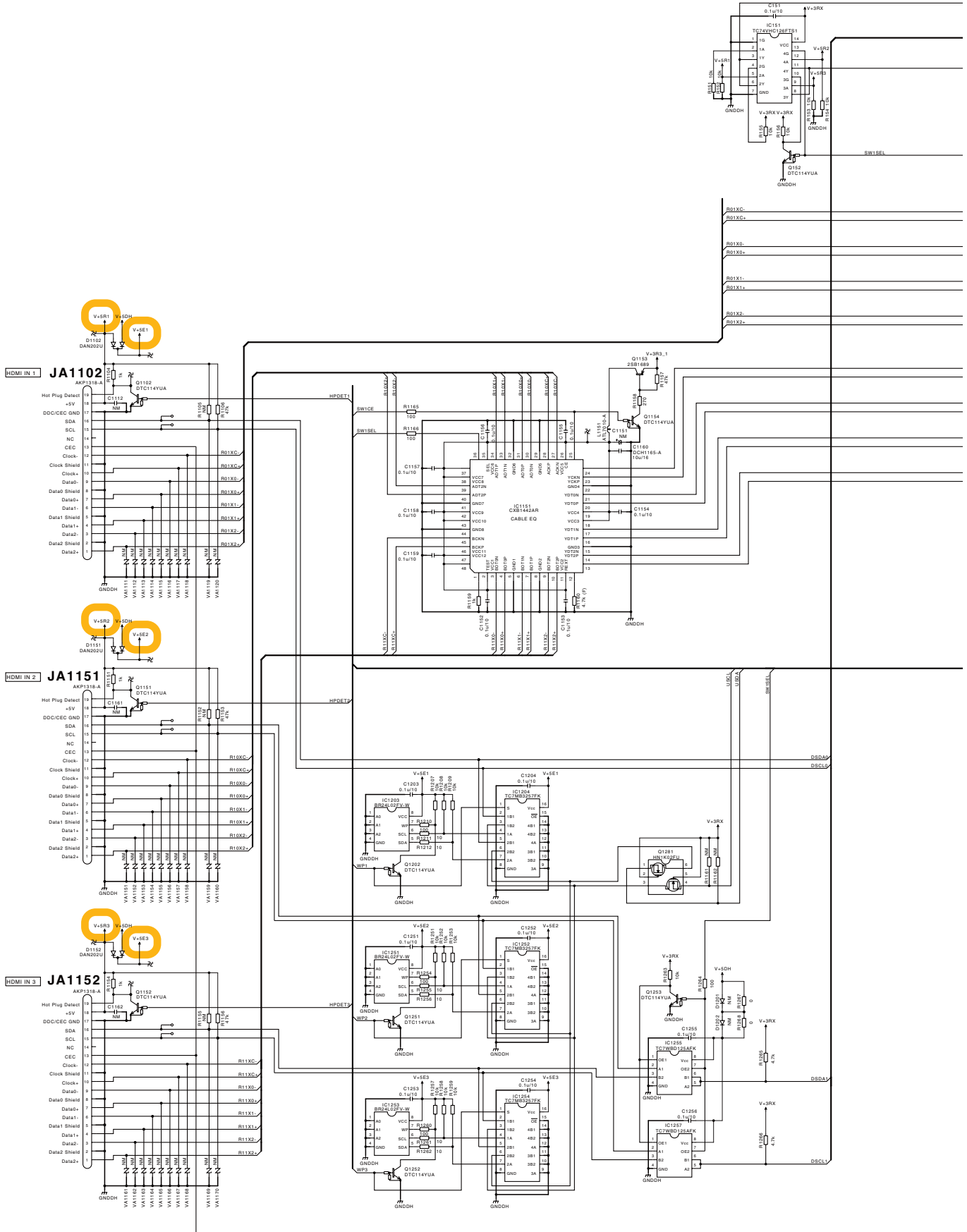
B

C

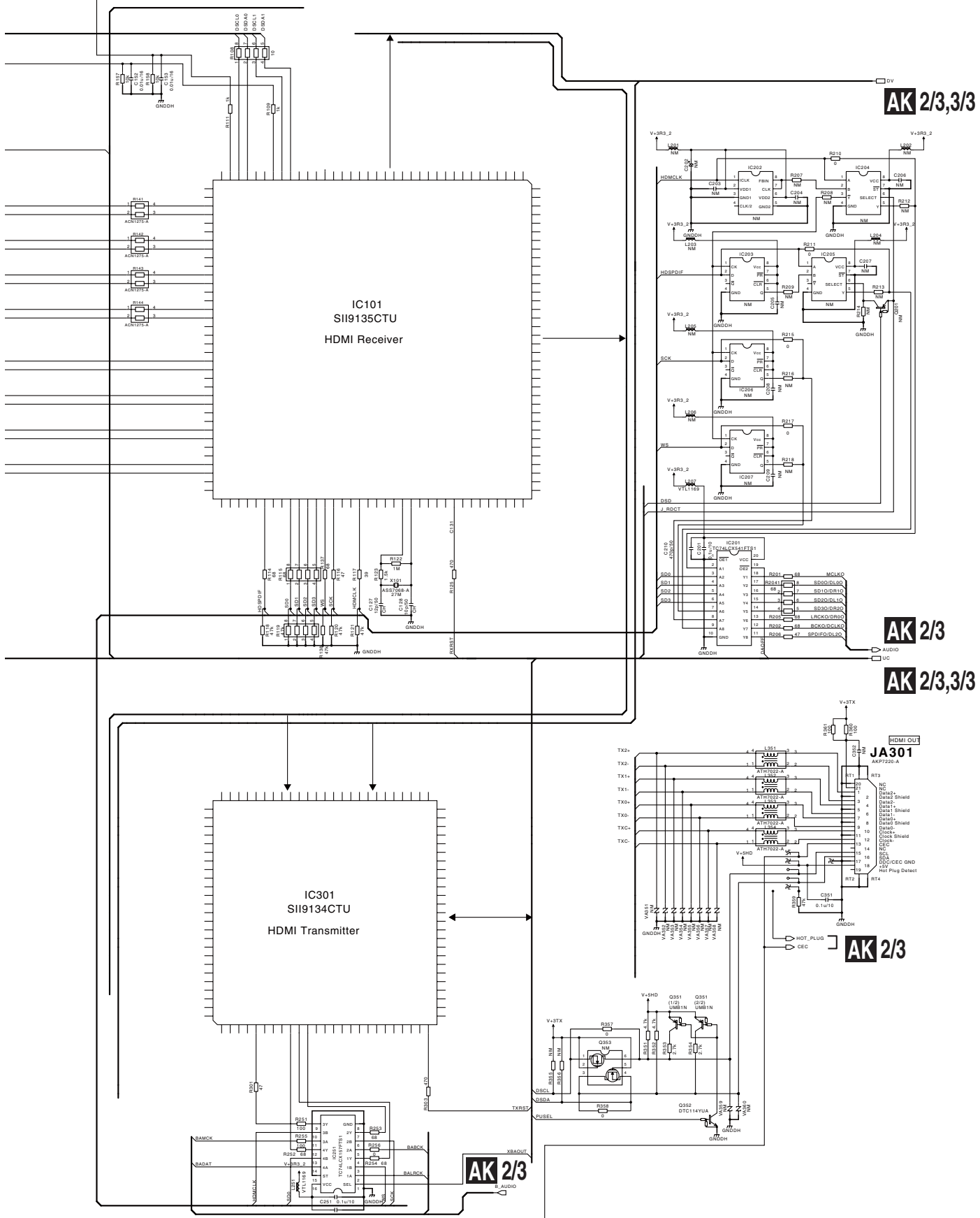
D

E

F



AK 1/3 HDMI & DVC ASSY (AWX8975)



AK 2/3,3/3

AK 2/3

AK 2/3,3/3

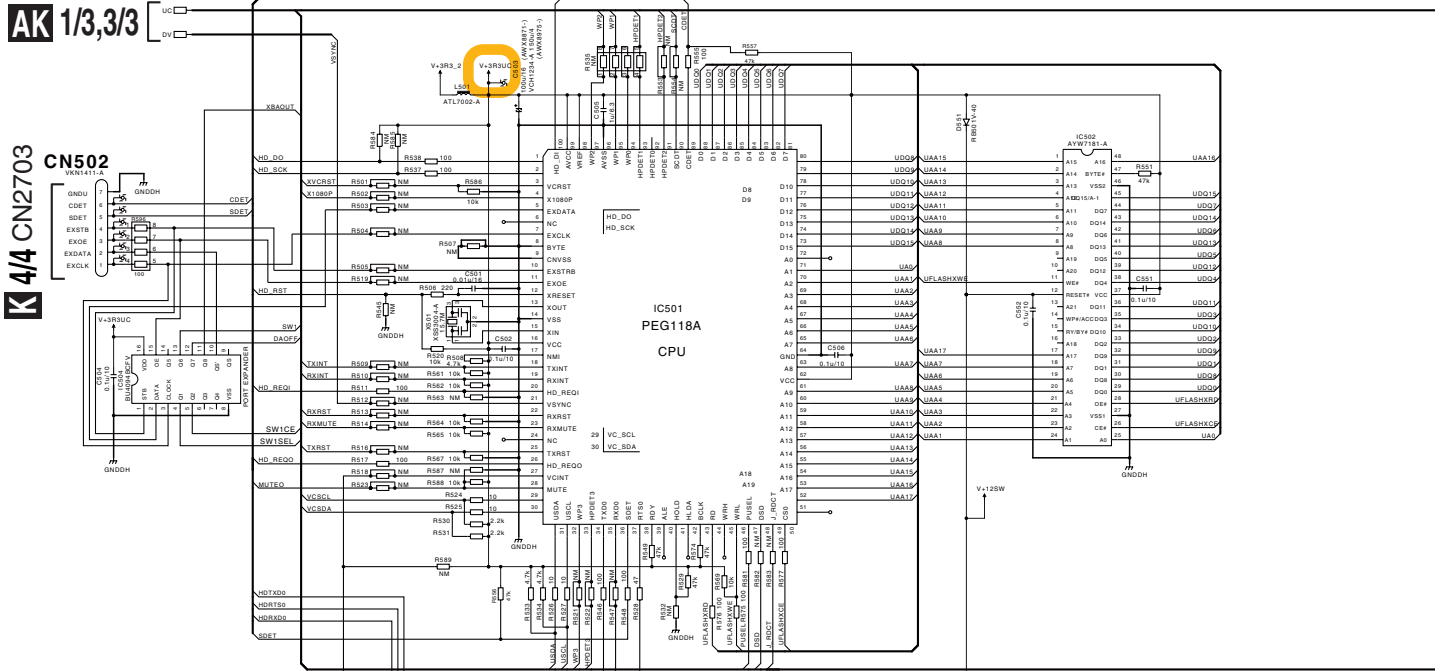
AK 2/3

AK 2/3

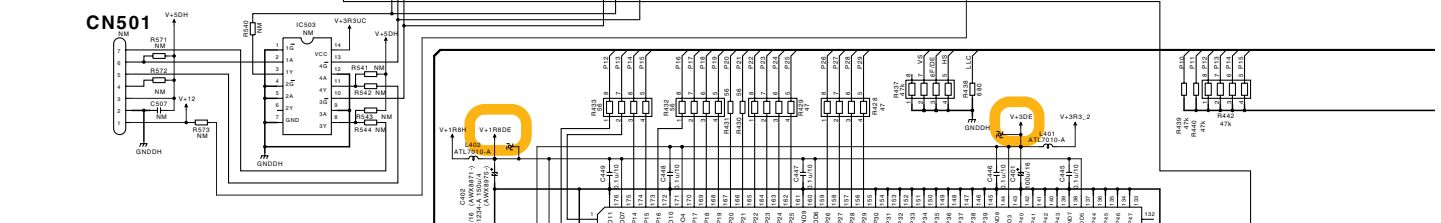
AK 1/3

10.36 HDMI & DVC ASSY (2/3) (VSX-LX60)

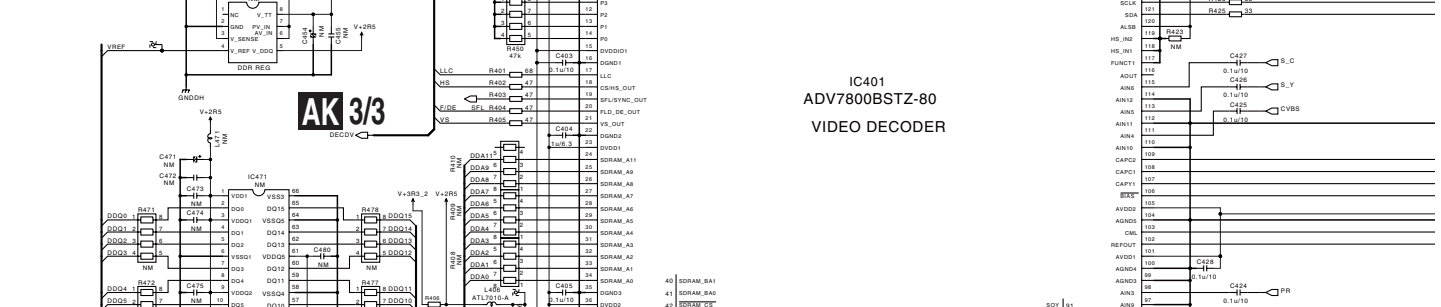
A



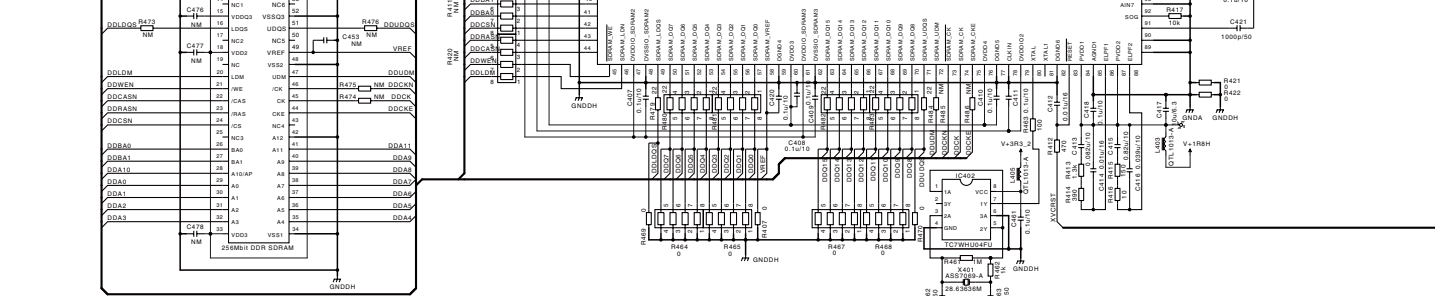
B



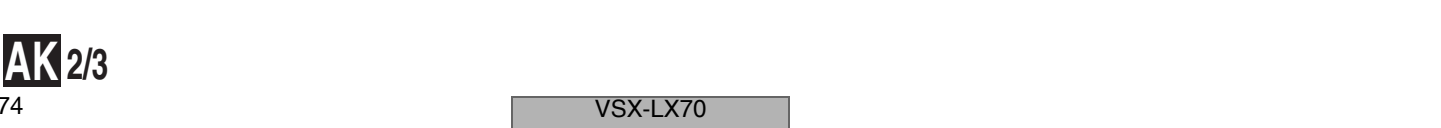
C



D



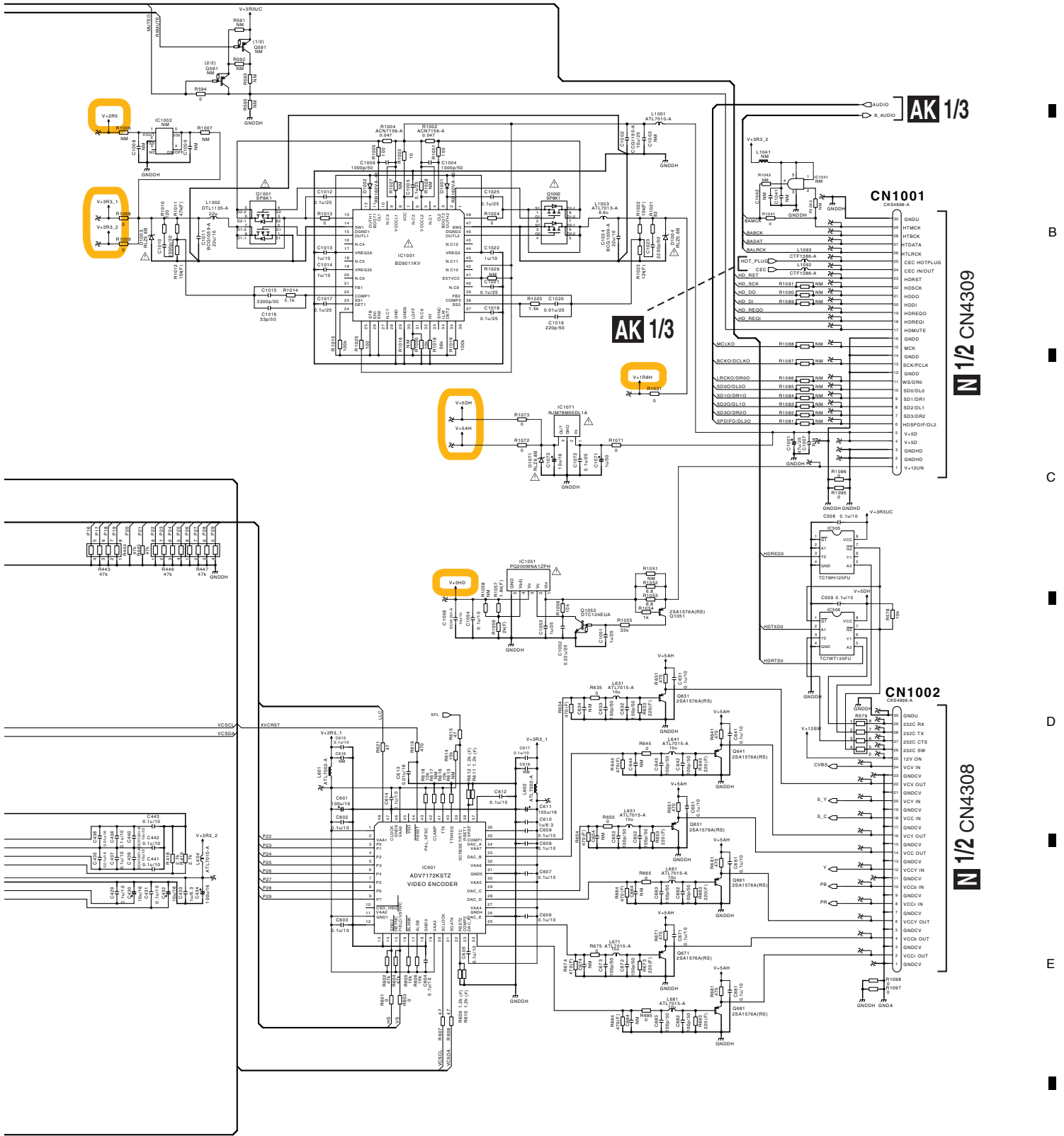
E



F



AK 2/3 HDMI & DVC ASSY (AWX8975)



AK 1/3

AK 1/3

N 1/2 CN4309

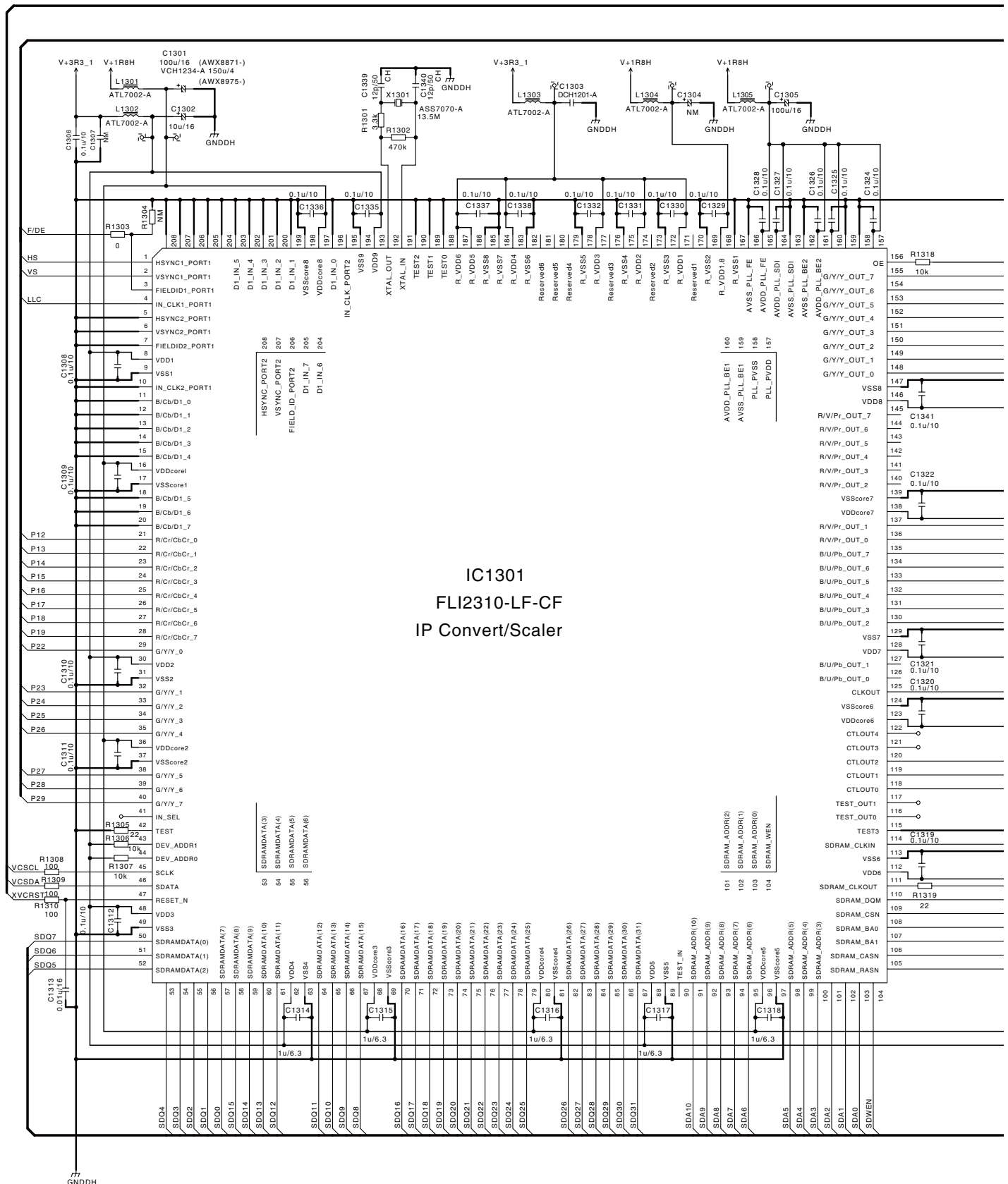
N 1/2 CN4308

AK 2/3

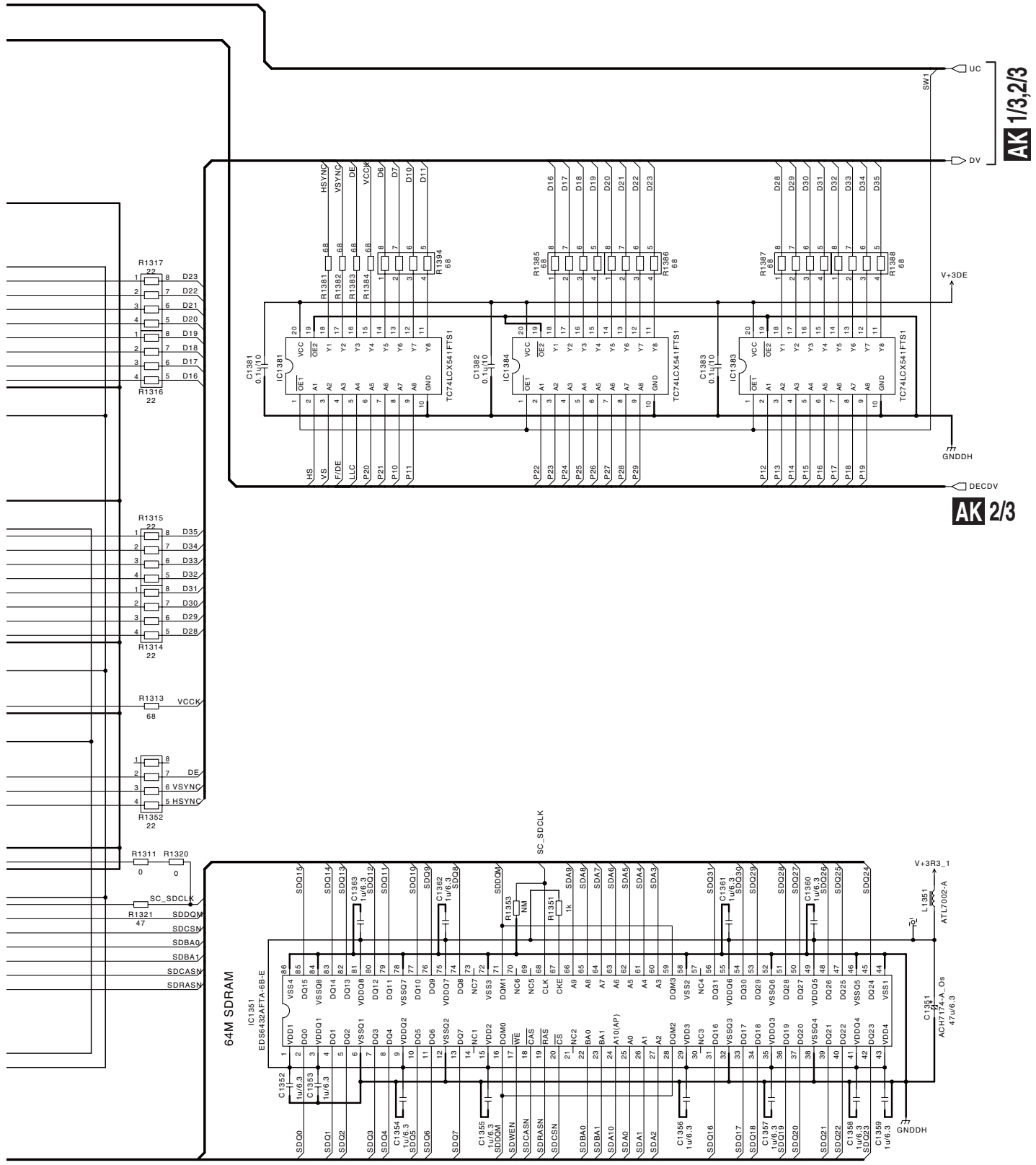
VSX-LX70

10.37 HDMI & DVC ASSY (3/3) (VSX-LX60)

A
B
C
D
E
F



IC1301
FLI2310-LF-CF
IP Convert/Scaler



AK 1/3,2/3

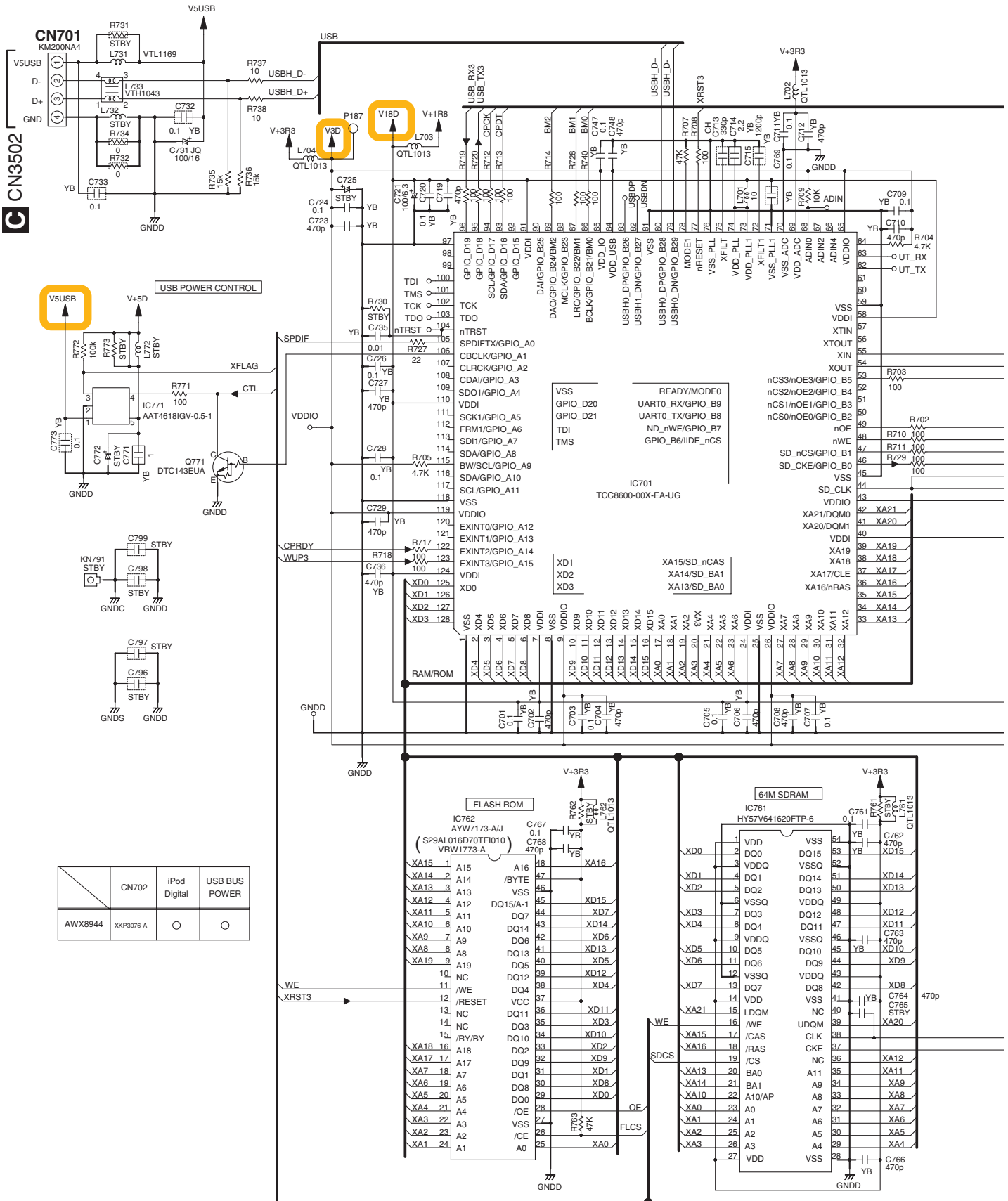
AK 2/3

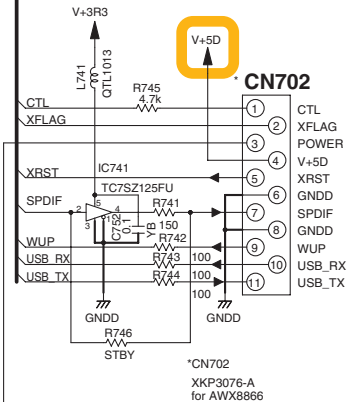
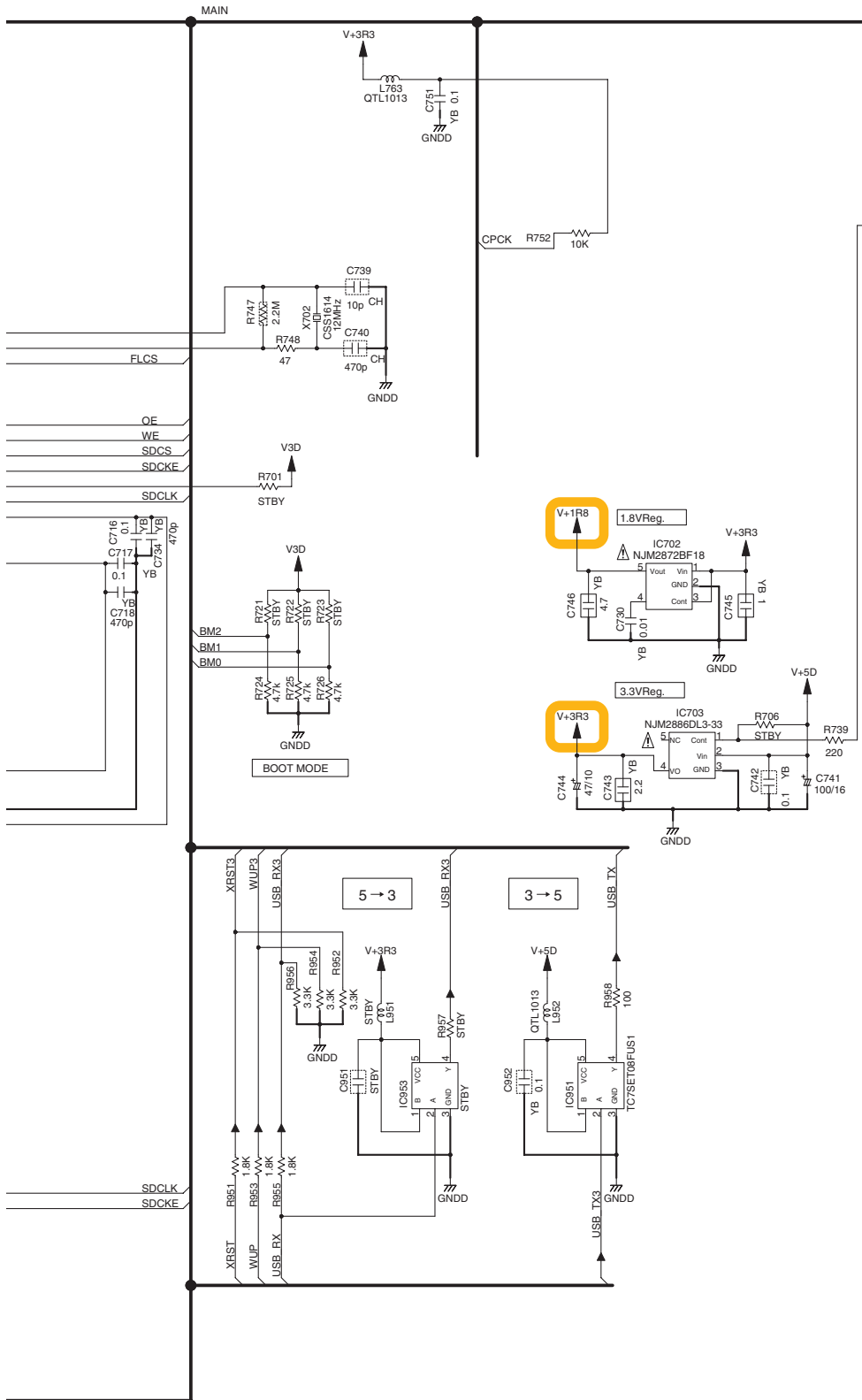
VSX-LX70

10.38 USB ASSY (VSX-LX60)

AM USB ASSY (AWX8944)

A
B
C
D
E
F



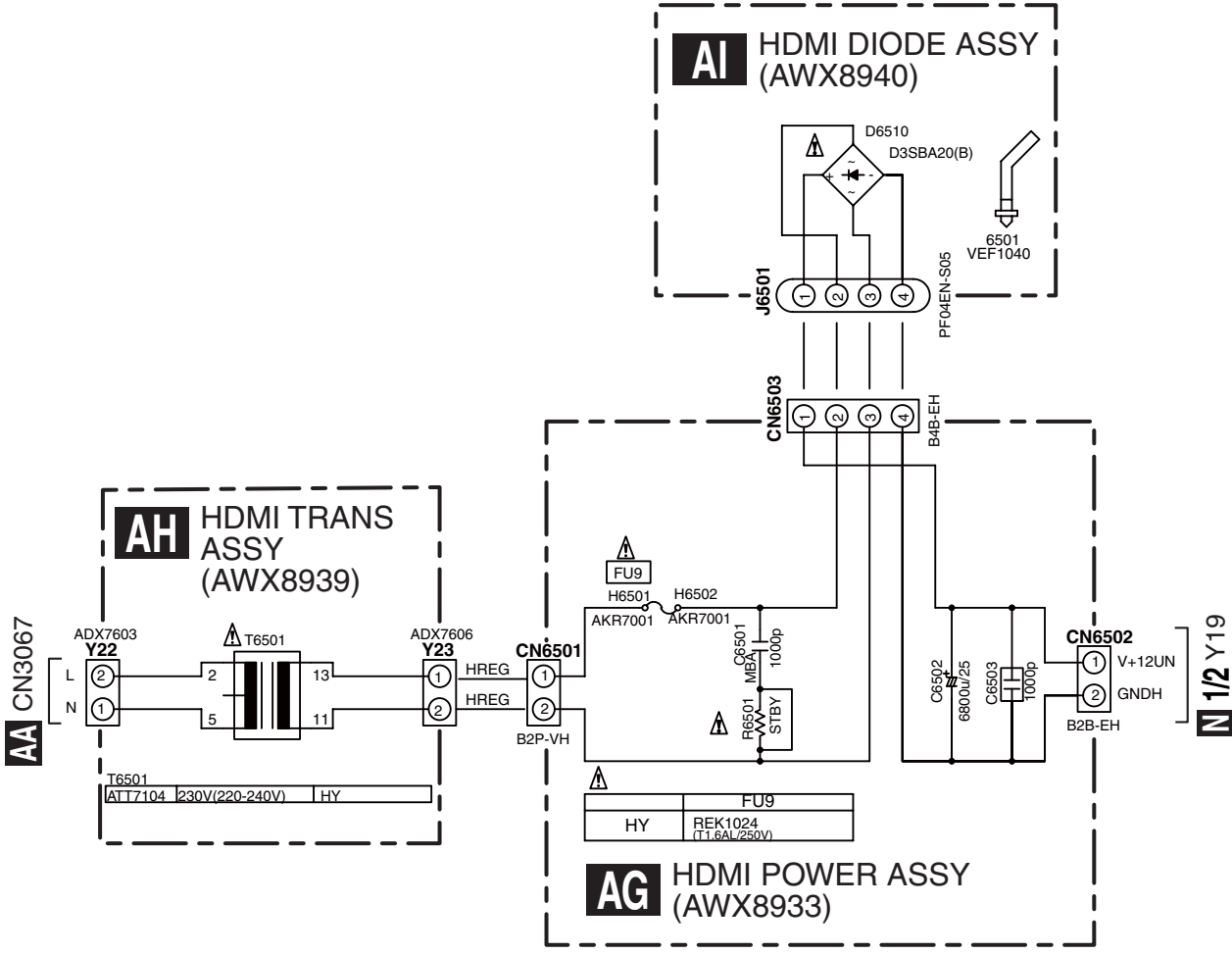


N 1/2 CN4322

Chip Size	
	RESISTOR
	: 2125Size
	RS1/10S~
	: 1608Size
	RS1/16S~
	: 1005Size
	RS1/16SS~
	CAPACITOR
	: 2125Size
	CKSQ**~
	: 1608Size
	CCSR**~
	CKSR**~
	: 1005Size
	CCSS**~
	CKSS**~
	ELECTRIC CAPS
	JQ : CEJQ**M**

10.39 HDMI POWER, HDMI TRANS and HDMI DIODE ASSYS

A
B
C
D
E
F




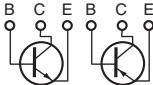

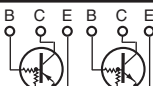

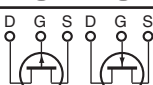

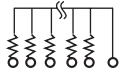

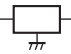
AG AH AI

AG AH AI

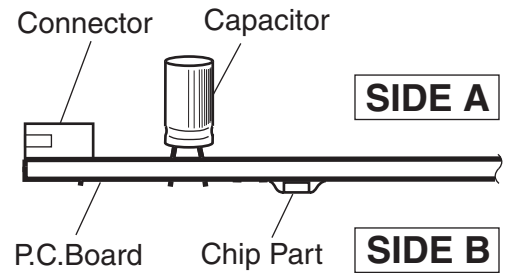
11. PCB CONNECTION DIAGRAM

NOTE FOR PCB DIAGRAMS :

1. Part numbers in PCB diagrams match those in the schematic diagrams.
2. A comparison between the main parts of PCB and schematic diagrams is shown below.

Symbol In PCB Diagrams	Symbol In Schematic Diagrams	Part Name
		Transistor
		Transistor with resistor
		Field effect transistor
		Resistor array
		3-terminal regulator

3. The parts mounted on this PCB include all necessary parts for several destinations.
For further information for respective destinations, be sure to check with the schematic diagram.
4. View point of PCB diagrams.



11.1 AUDIO & MULTI CH IN ASSY

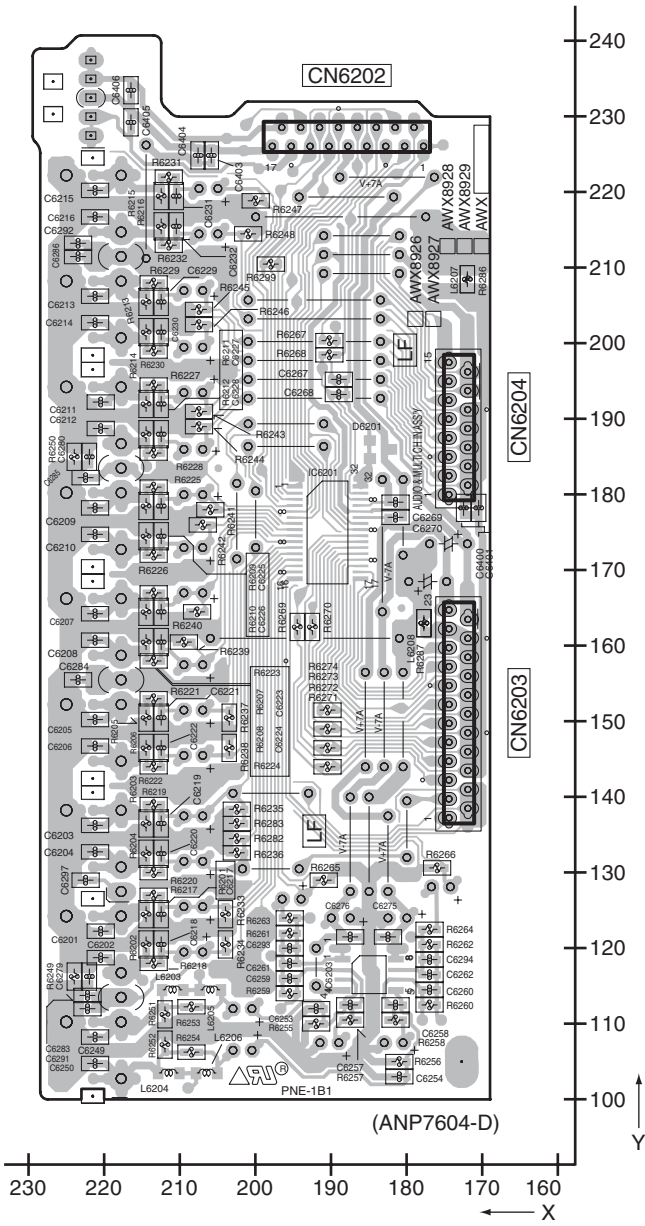
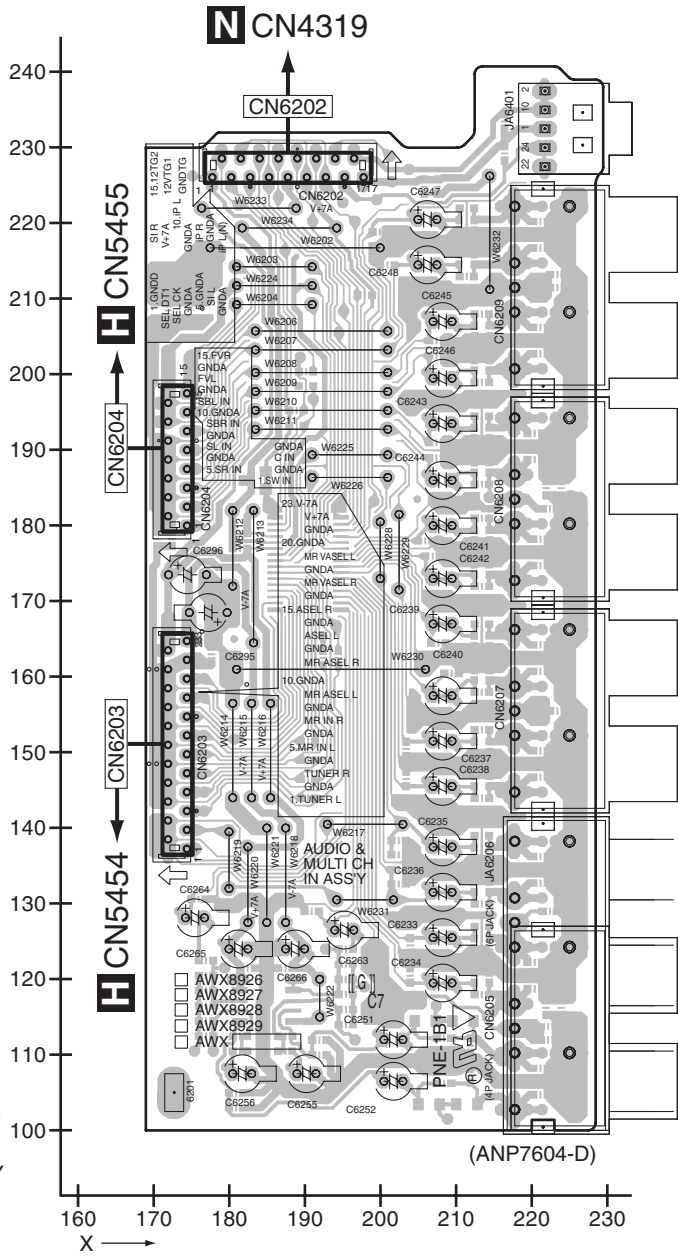
SIDE A

SIDE B

A AUDIO & MULTI CH IN ASSY

A AUDIO & MULTI CH IN ASSY

A
B
C
D
E
F



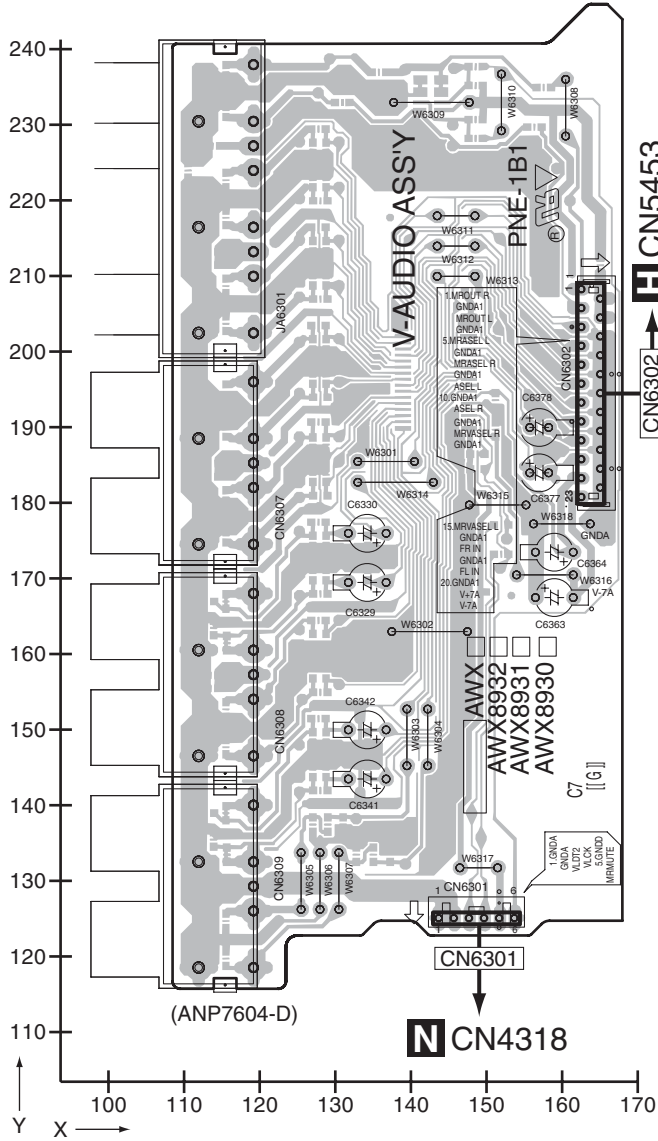
A

A

11.2 V-AUDIO and HEADPHONE ASSYS

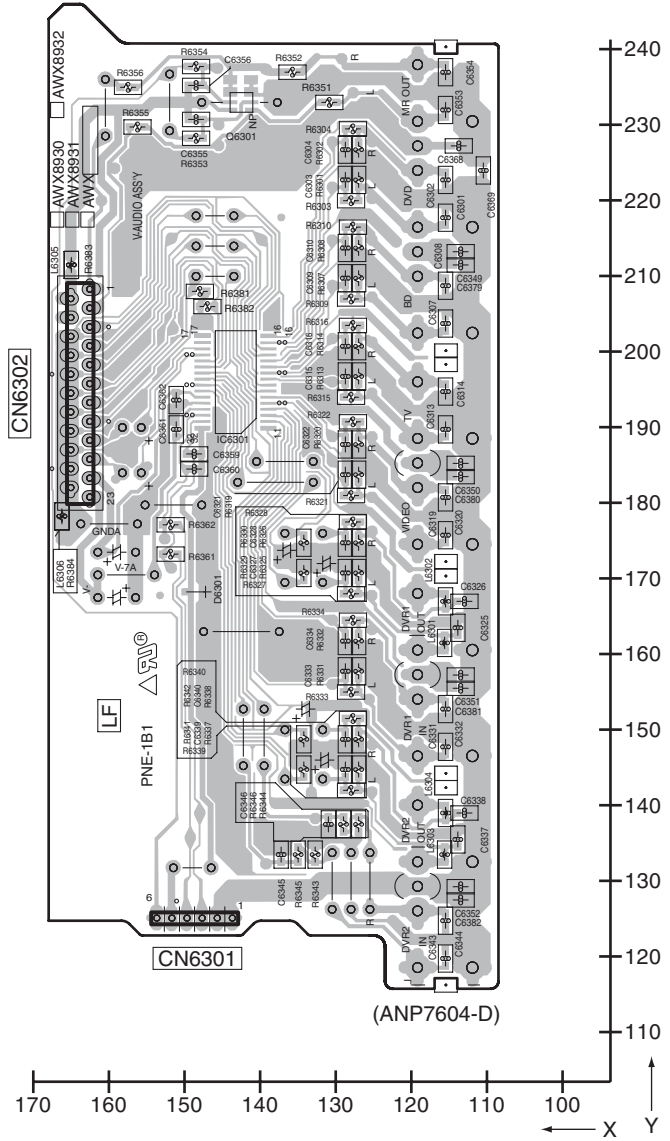
SIDE A

B V-AUDIO ASSY

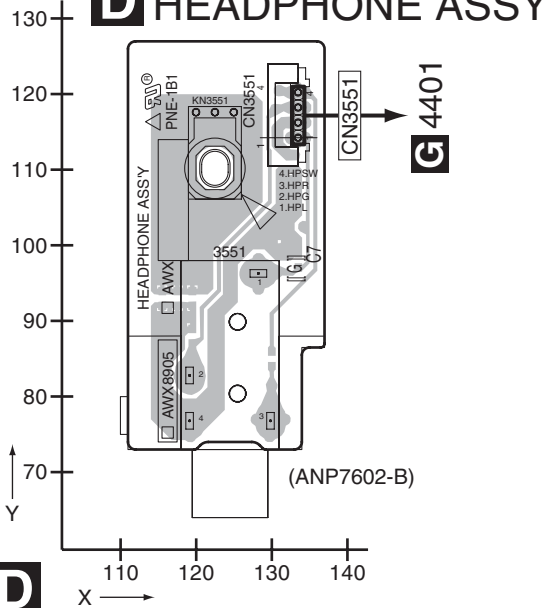


SIDE B

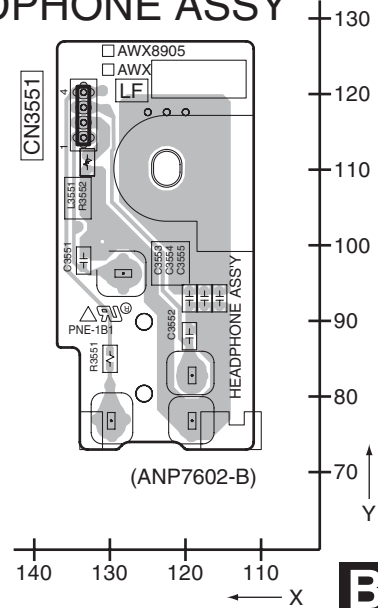
B V-AUDIO ASSY



D HEADPHONE ASSY



D HEADPHONE ASSY



B D

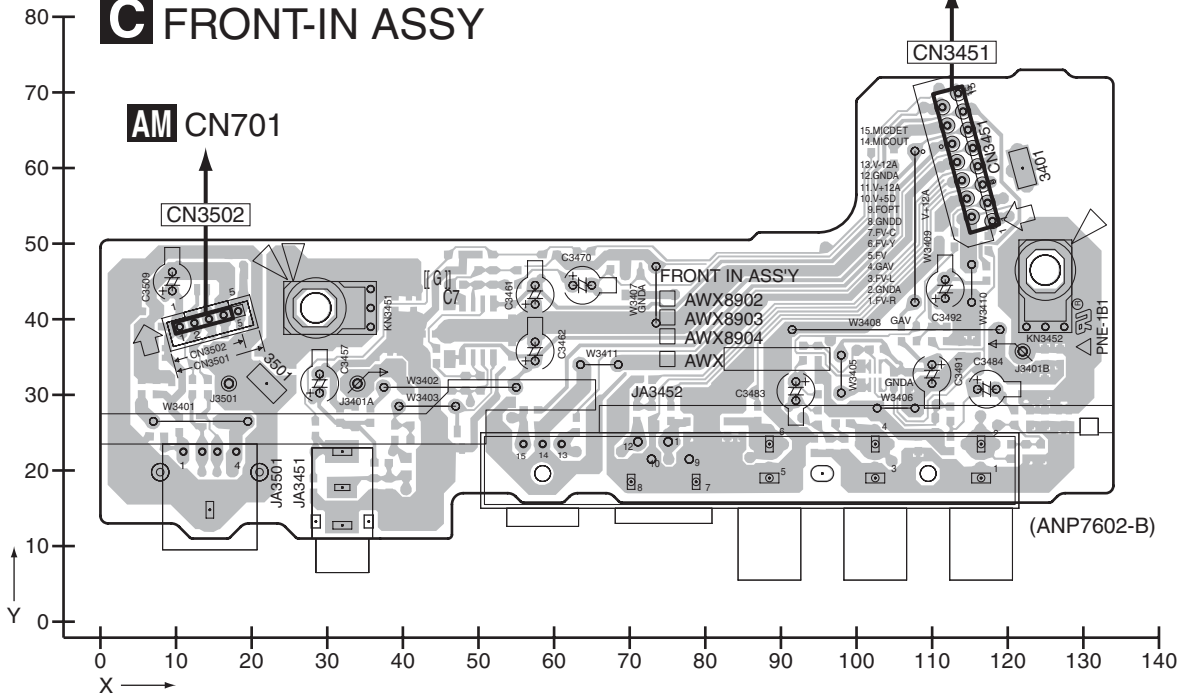
B D

11.3 FRONT-IN ASSY

SIDE A

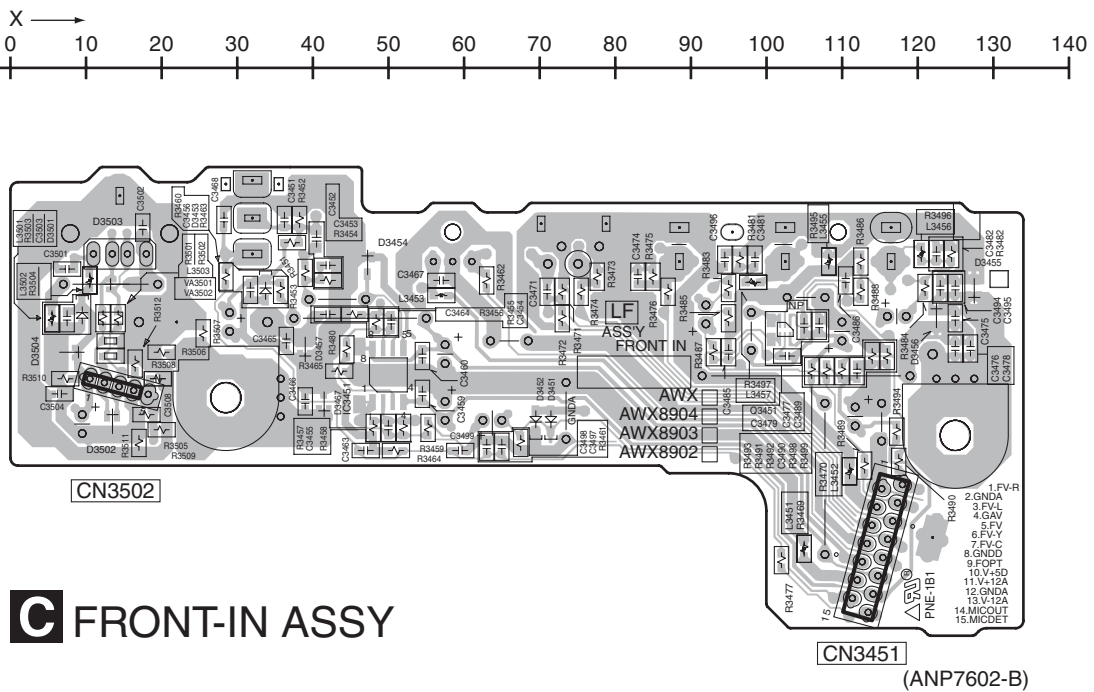
SIDE A

C FRONT-IN ASSY



SIDE B

SIDE B



C FRONT-IN ASSY

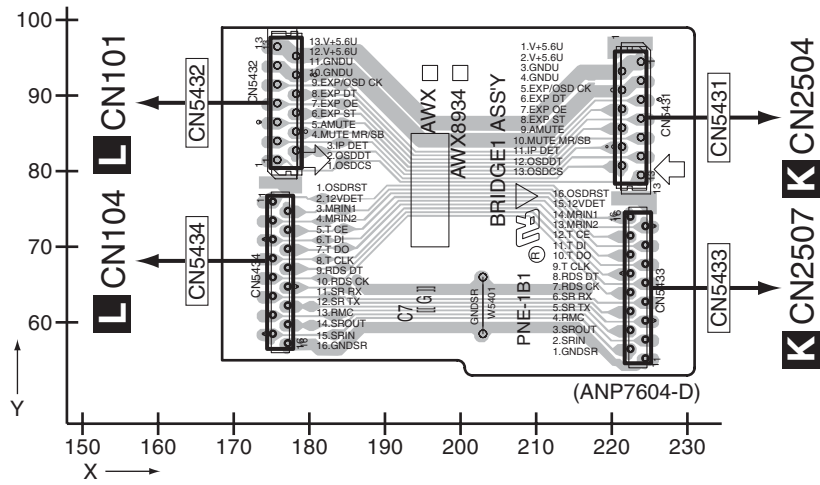
C

C

11.4 BRIDGE1 and BRIDGE2 ASSYS

SIDE A

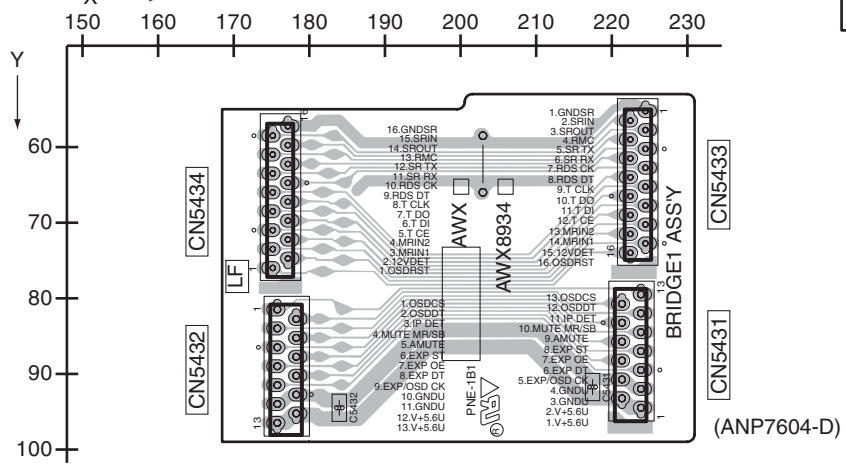
E BRIDGE1 ASSY



SIDE A

SIDE B

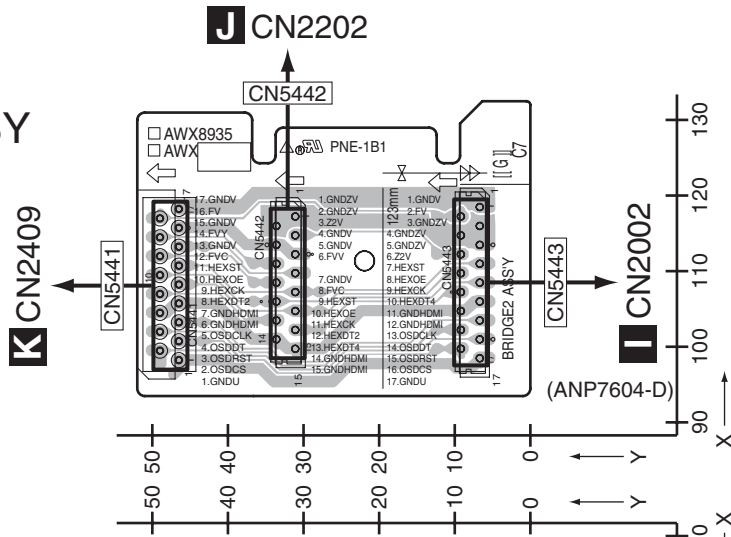
E BRIDGE1 ASSY



SIDE B

SIDE A

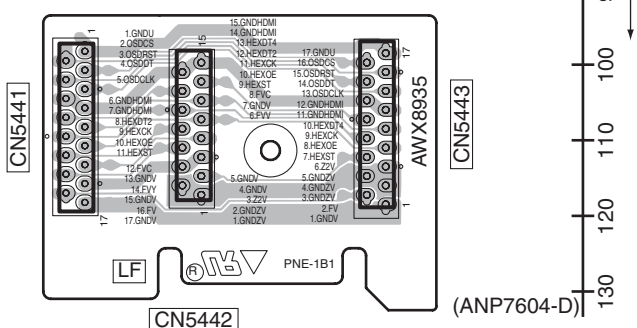
F BRIDGE2 ASSY



SIDE A

SIDE B

F BRIDGE2 ASSY



SIDE B

E F

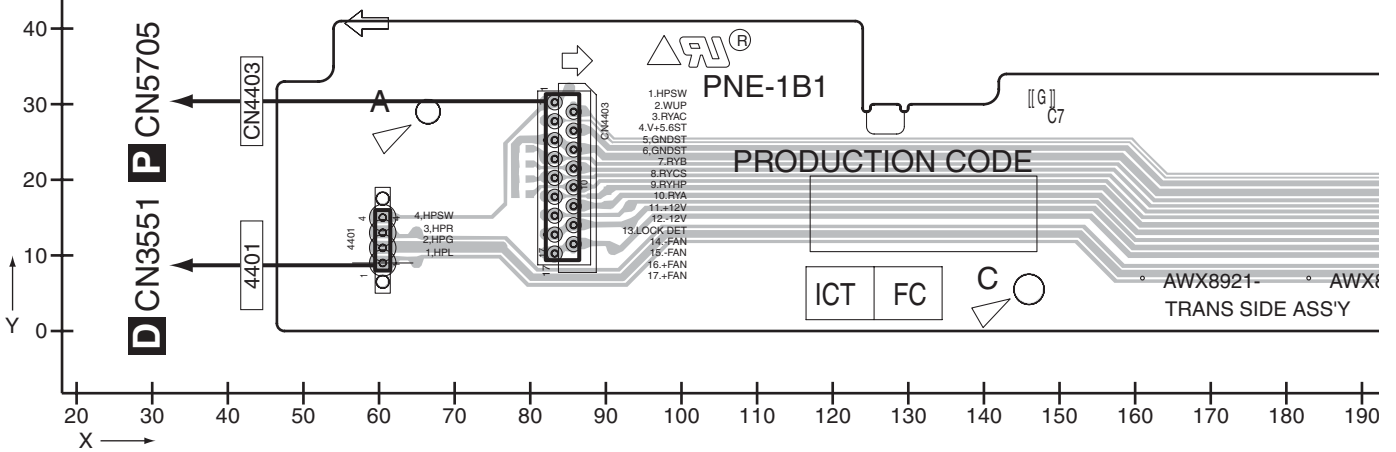
VSX-LX70

E F

11.5 TRANS SIDE and BRIDGE3 ASSYS

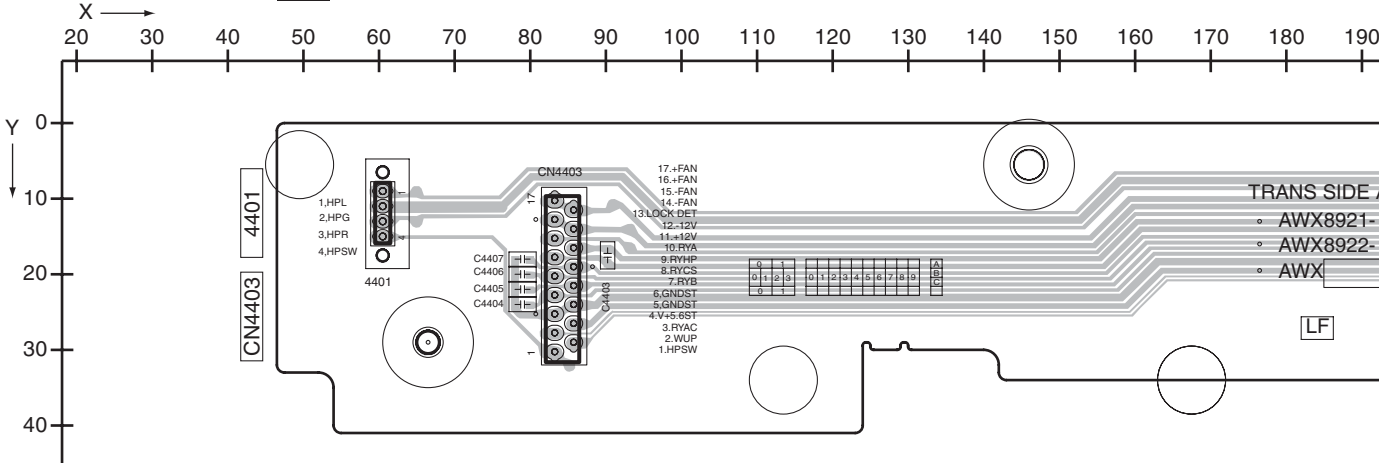
SIDE A

G TRANS SIDE ASSY



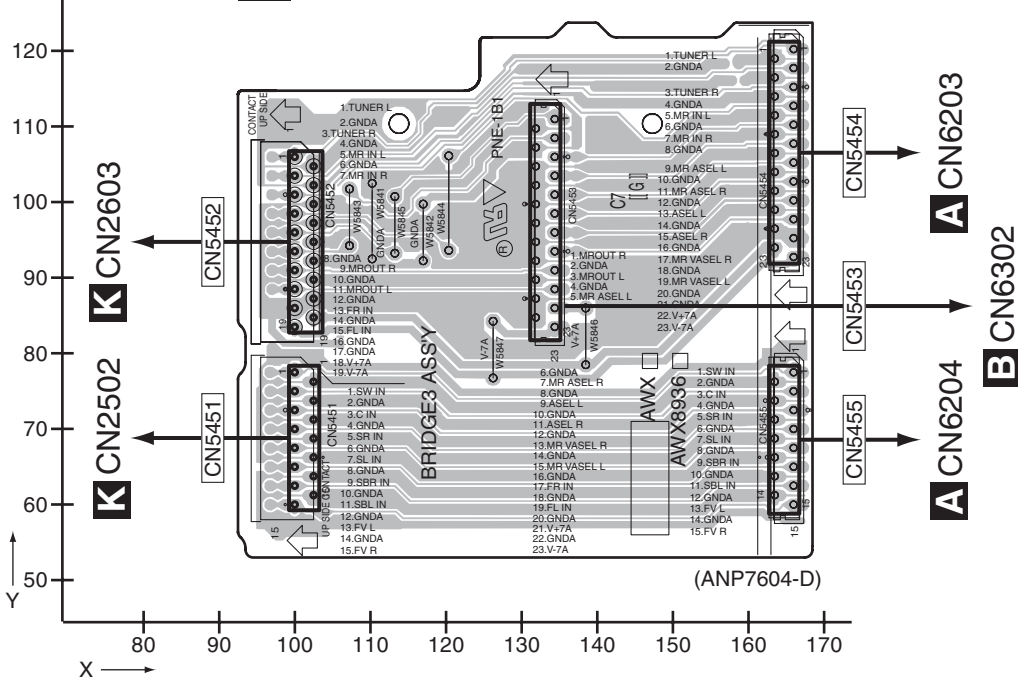
SIDE B

G TRANS SIDE ASSY



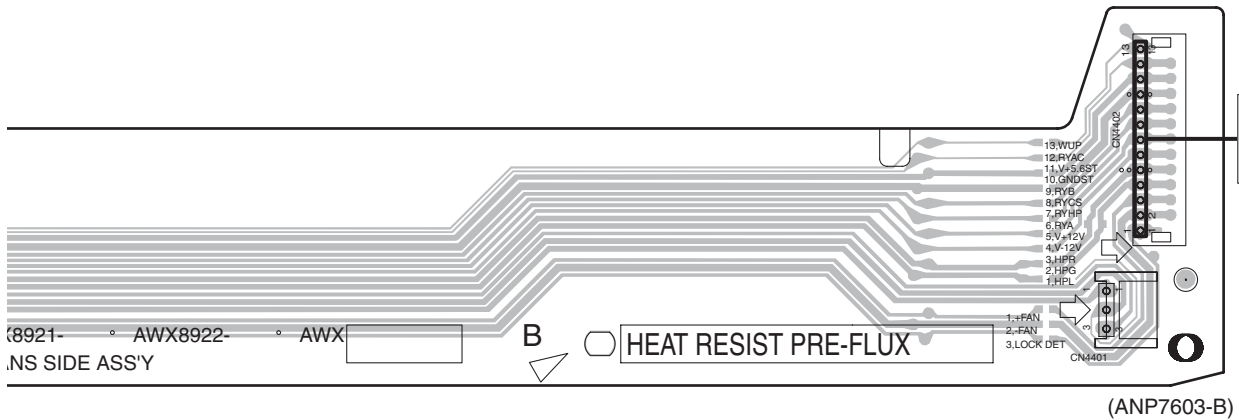
SIDE A

H BRIDGE3 ASSY

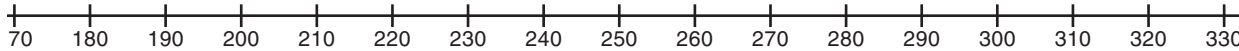


G H

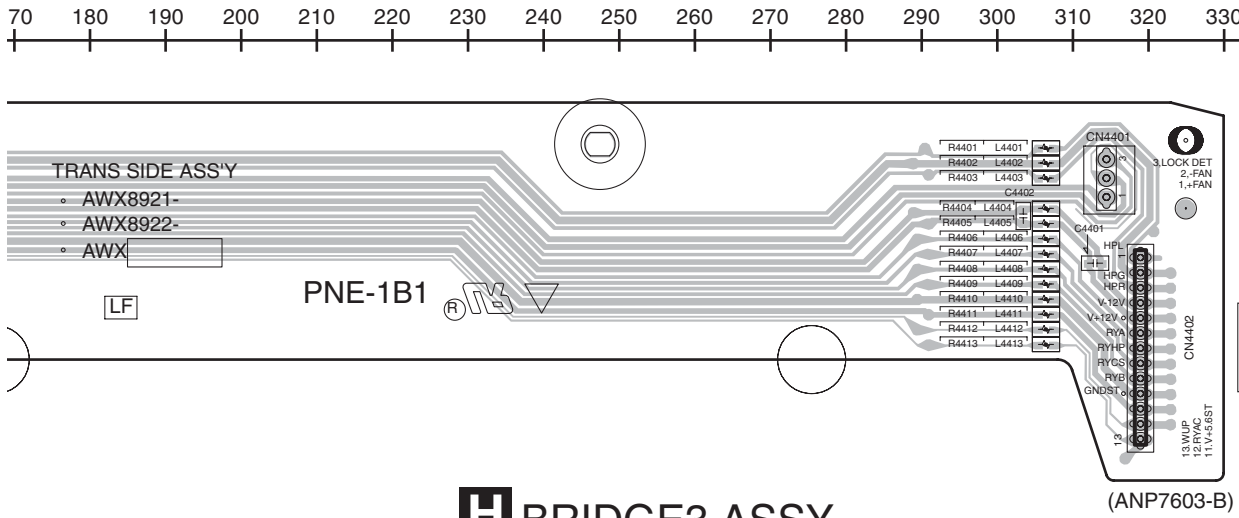
SIDE A



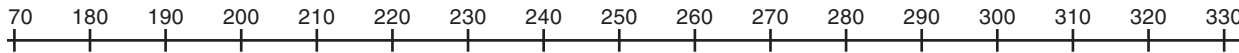
(ANP7603-B)



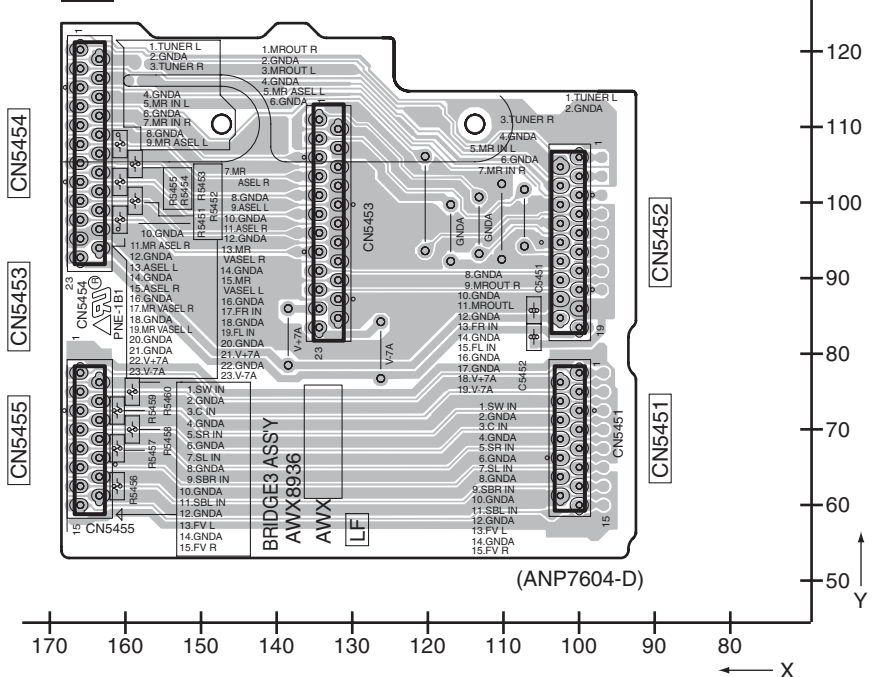
SIDE B



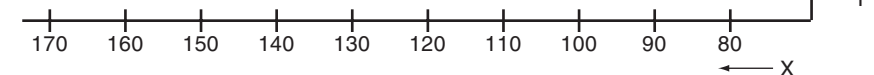
(ANP7603-B)



BRIDGE3 ASSY



(ANP7604-D)



SIDE B



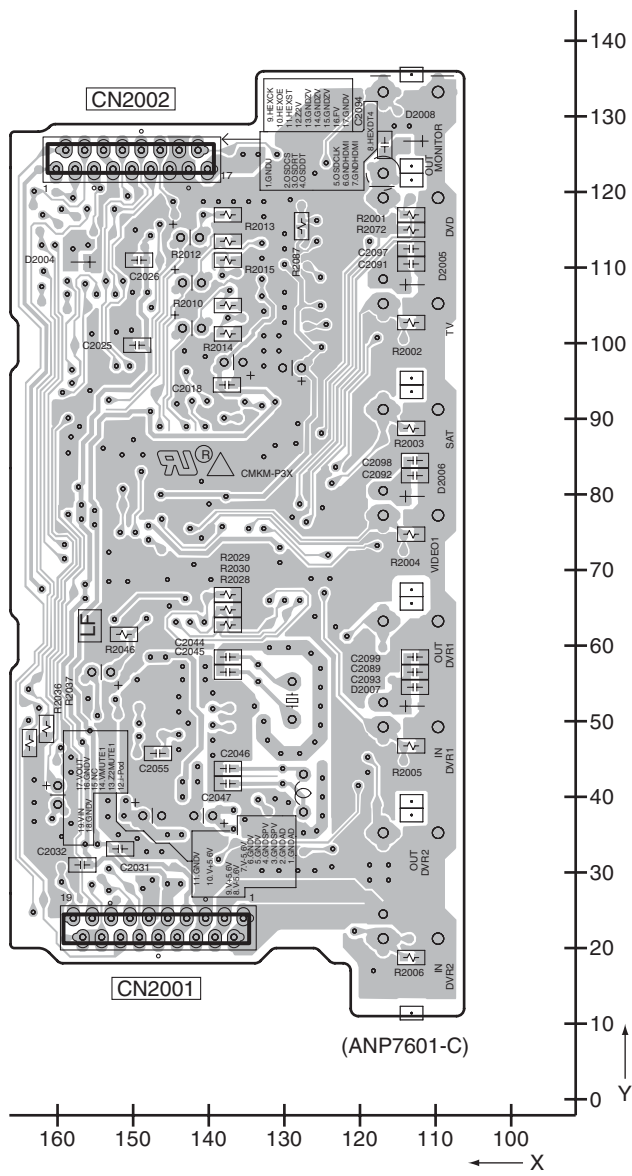
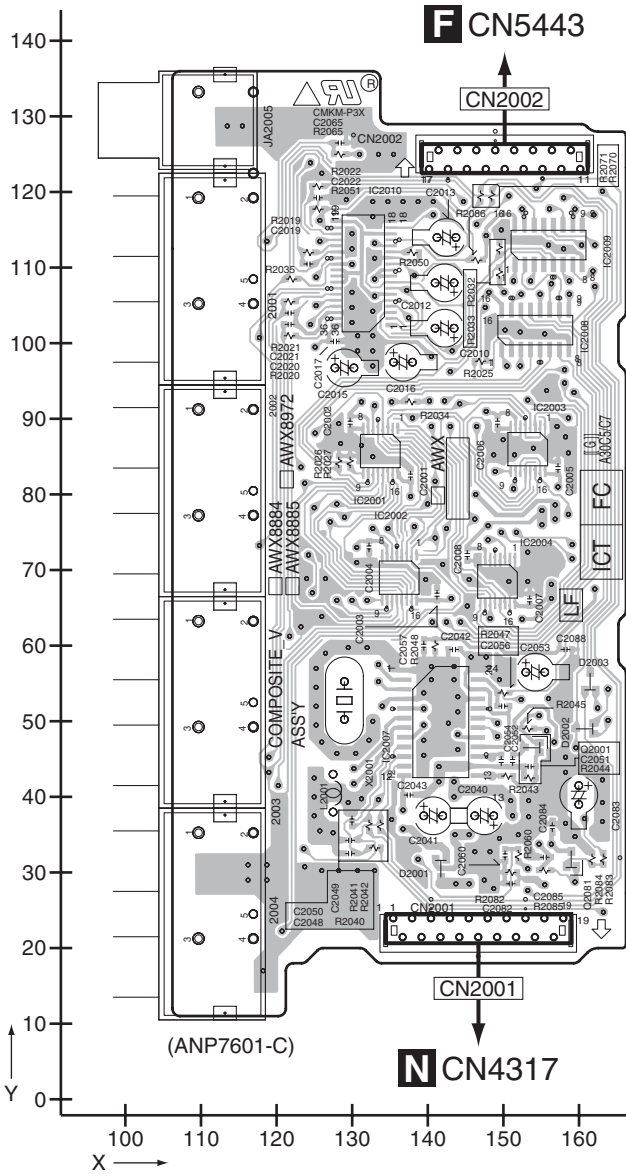
11.6 COMPOSITE V ASSY

SIDE A

SIDE B

COMPOSITE V ASSY

COMPOSITE V ASSY



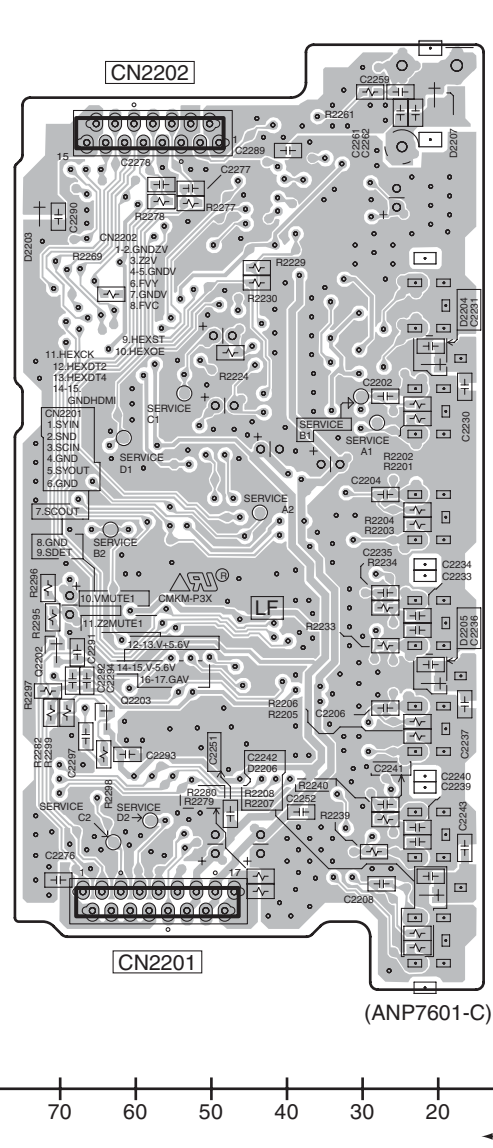
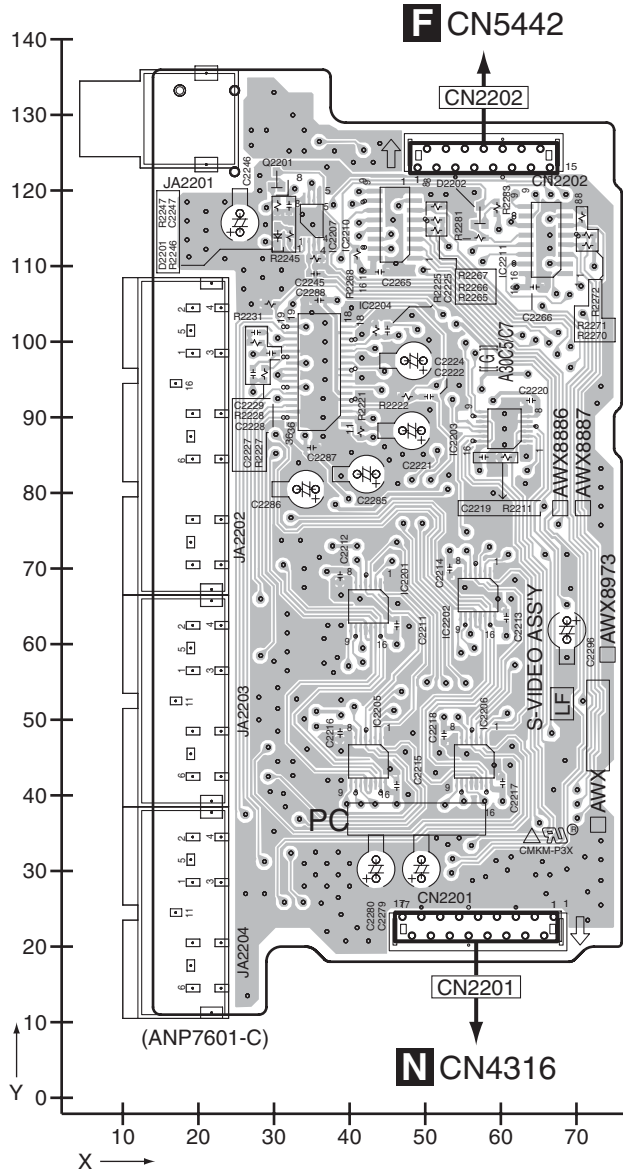
11.7 S-VIDEO ASSY

SIDE A

SIDE B

J S-VIDEO ASSY

J S-VIDEO ASSY



J

J

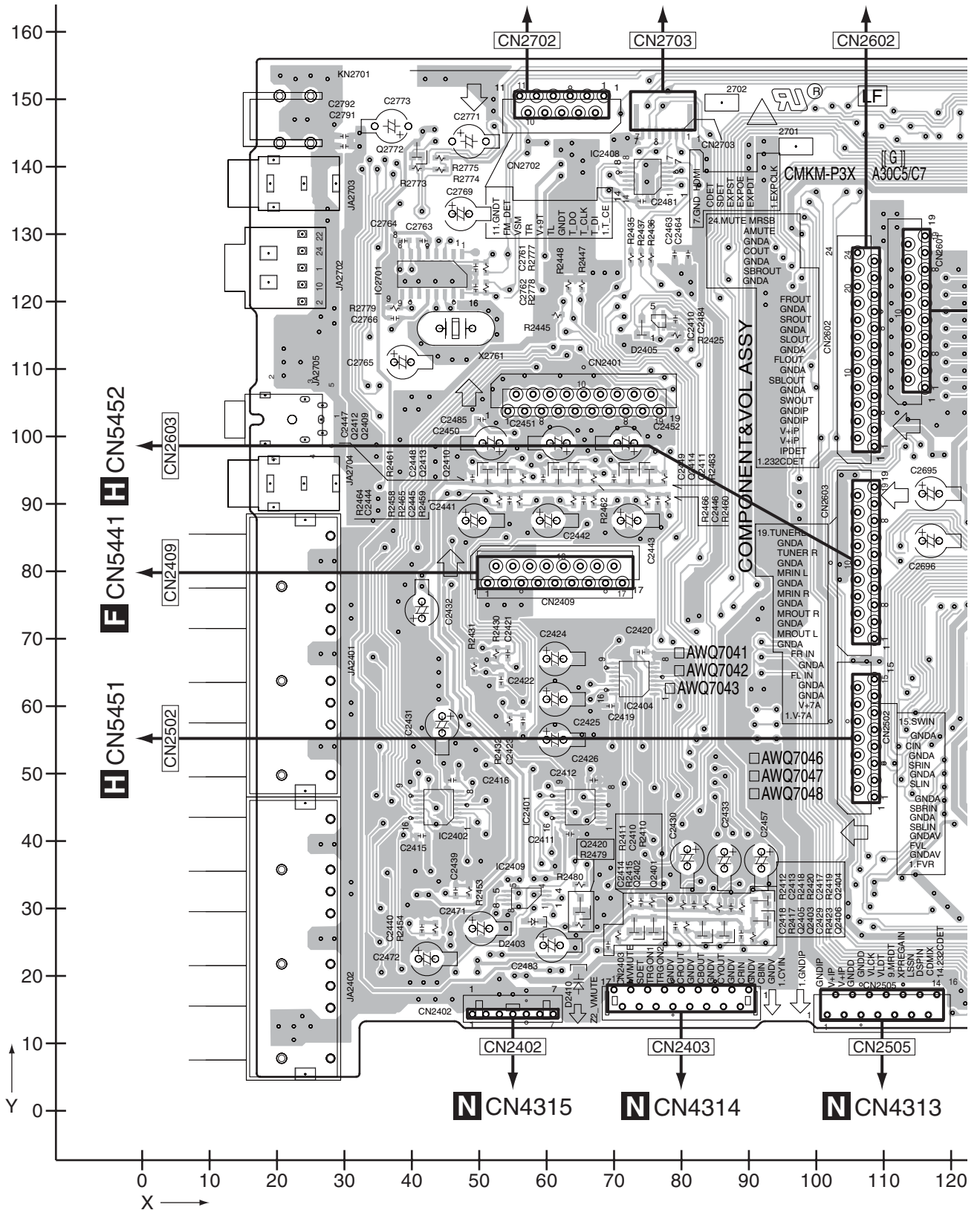
11.8 COMPONENT & VOL ASSY

SIDE A

K COMPONENT & VOL ASSY

TUNER MODULE
AJ CN502
AK CN502

AE CN2801 **C**



K

SIDE A

A

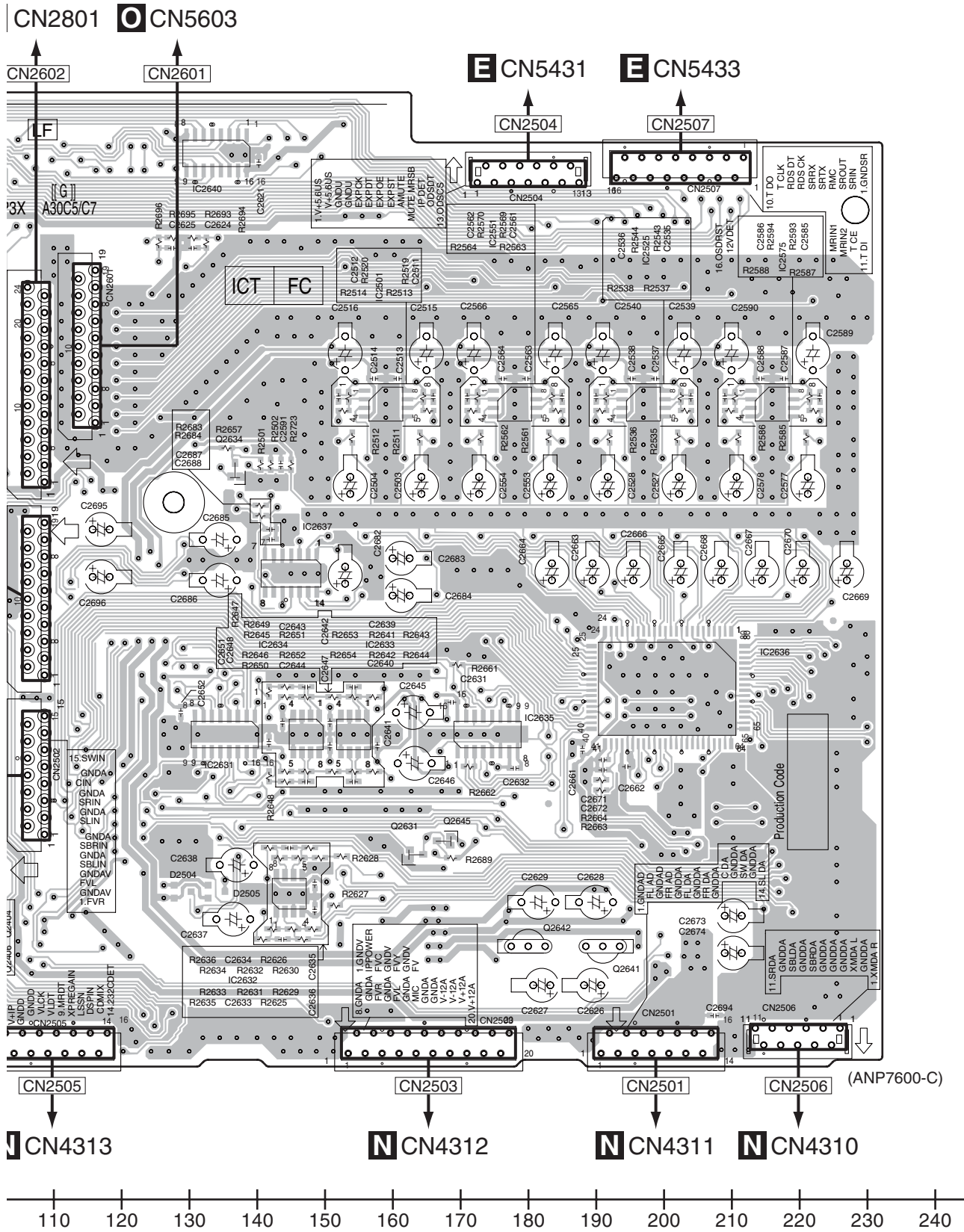
B

C

D

E

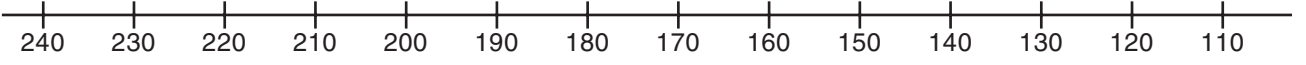
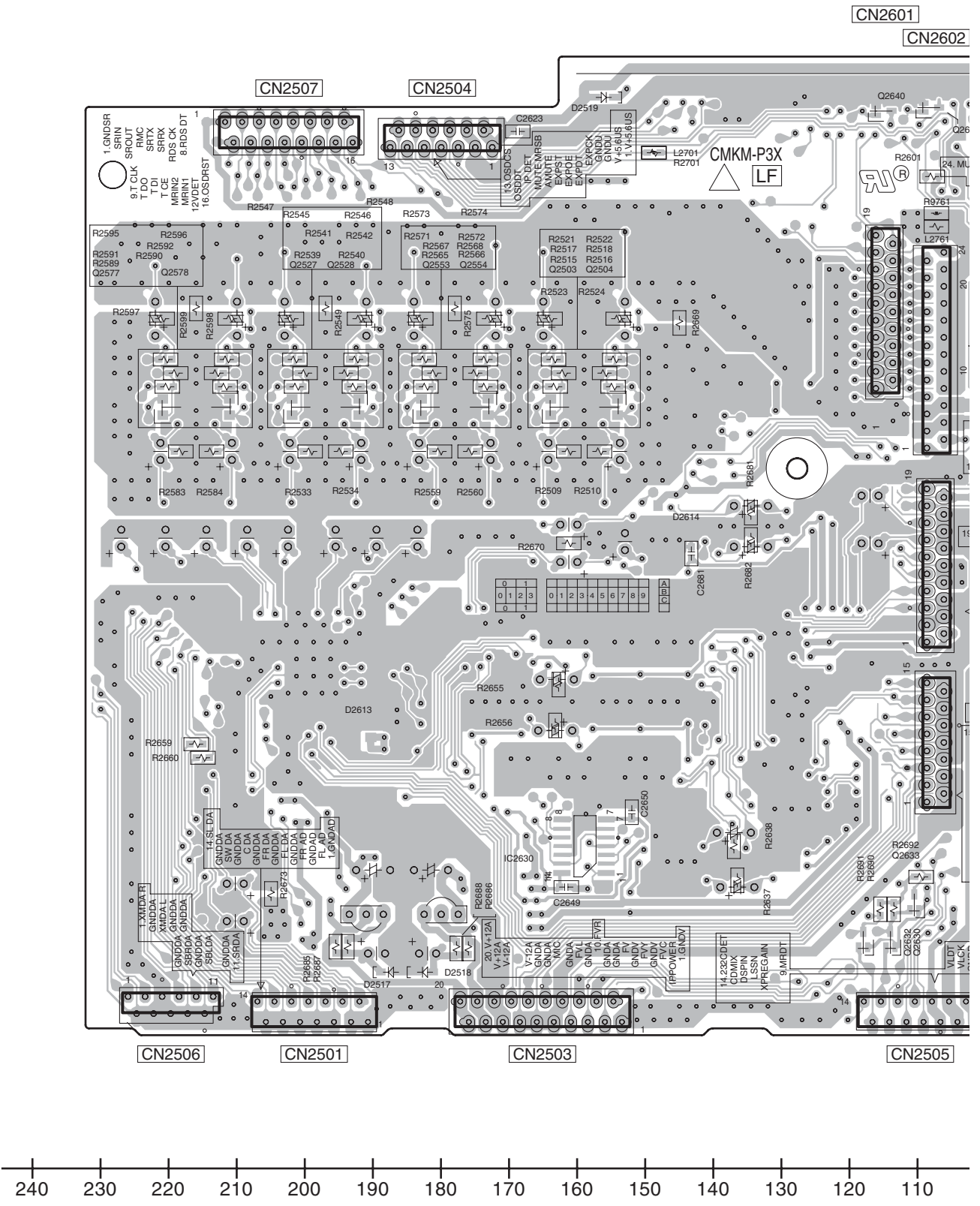
F



SIDE B

K COMPONENT & VOL ASSY

A
B
C
D
E
F



A

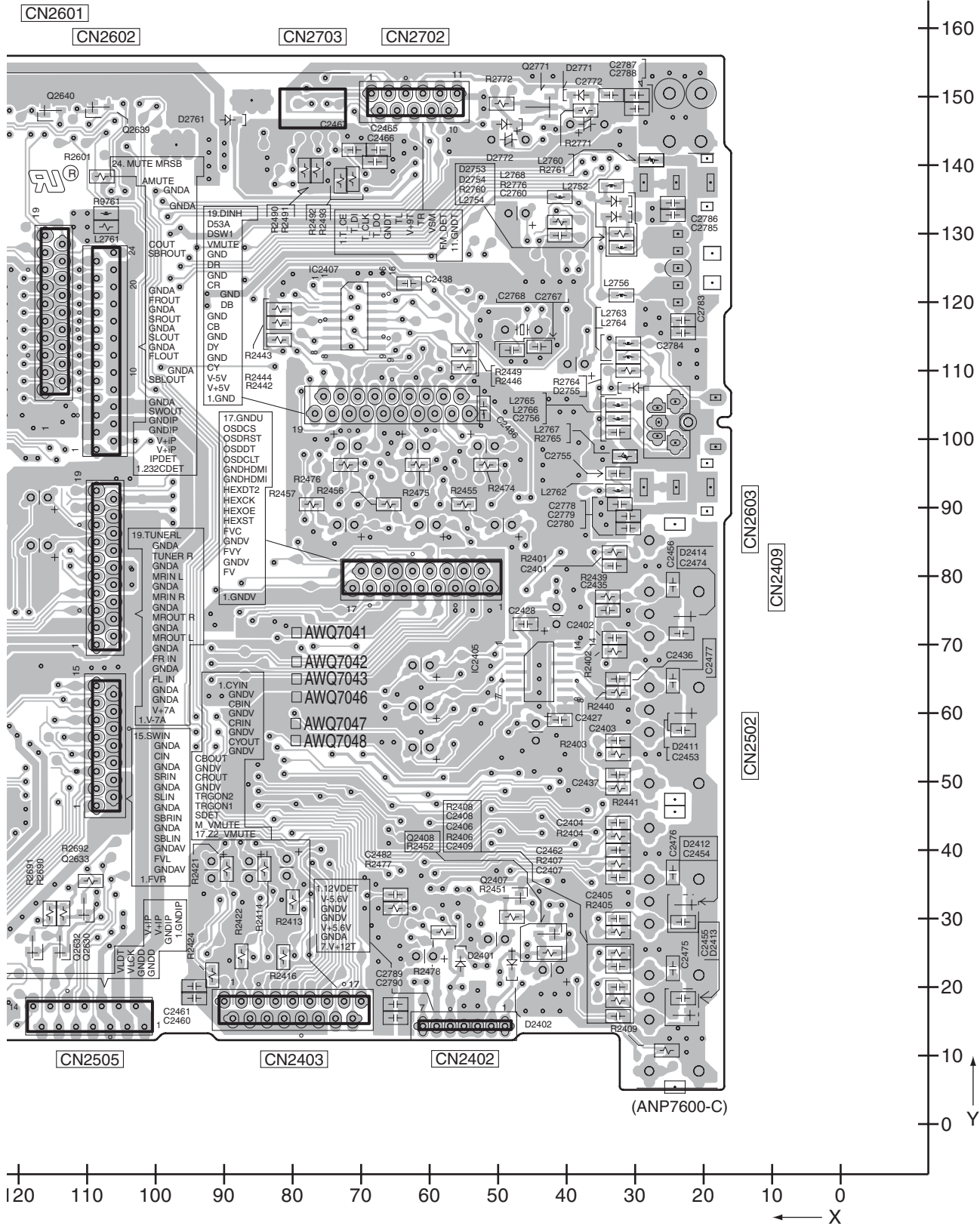
B

C

D

E

F

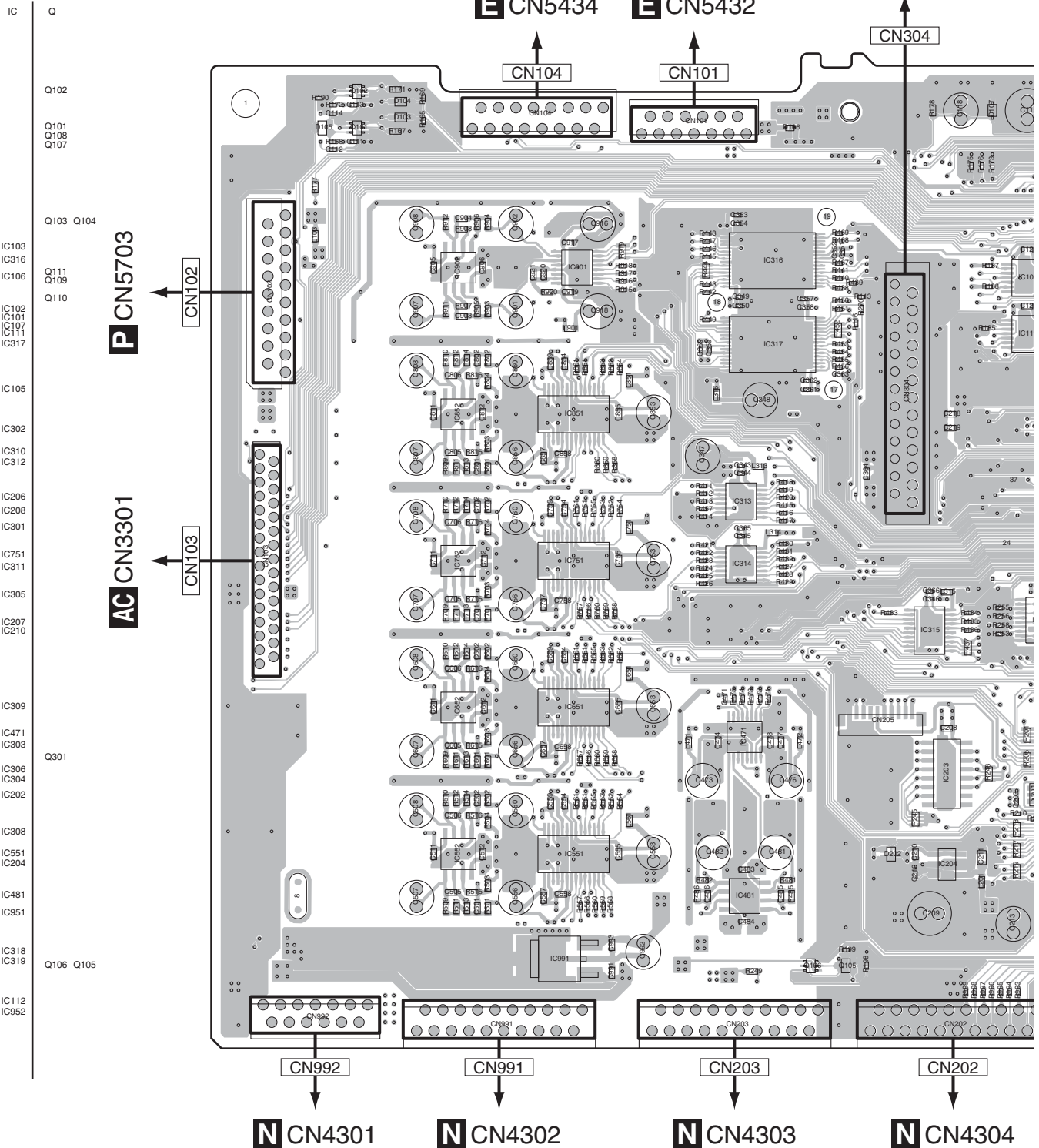


11.9 DIGITAL MOTHER ASSY

SIDE A

L DIGITAL MOTHER ASSY

M CN402



N CN4301

N CN4302

N CN4303

N CN4304

SIDE A

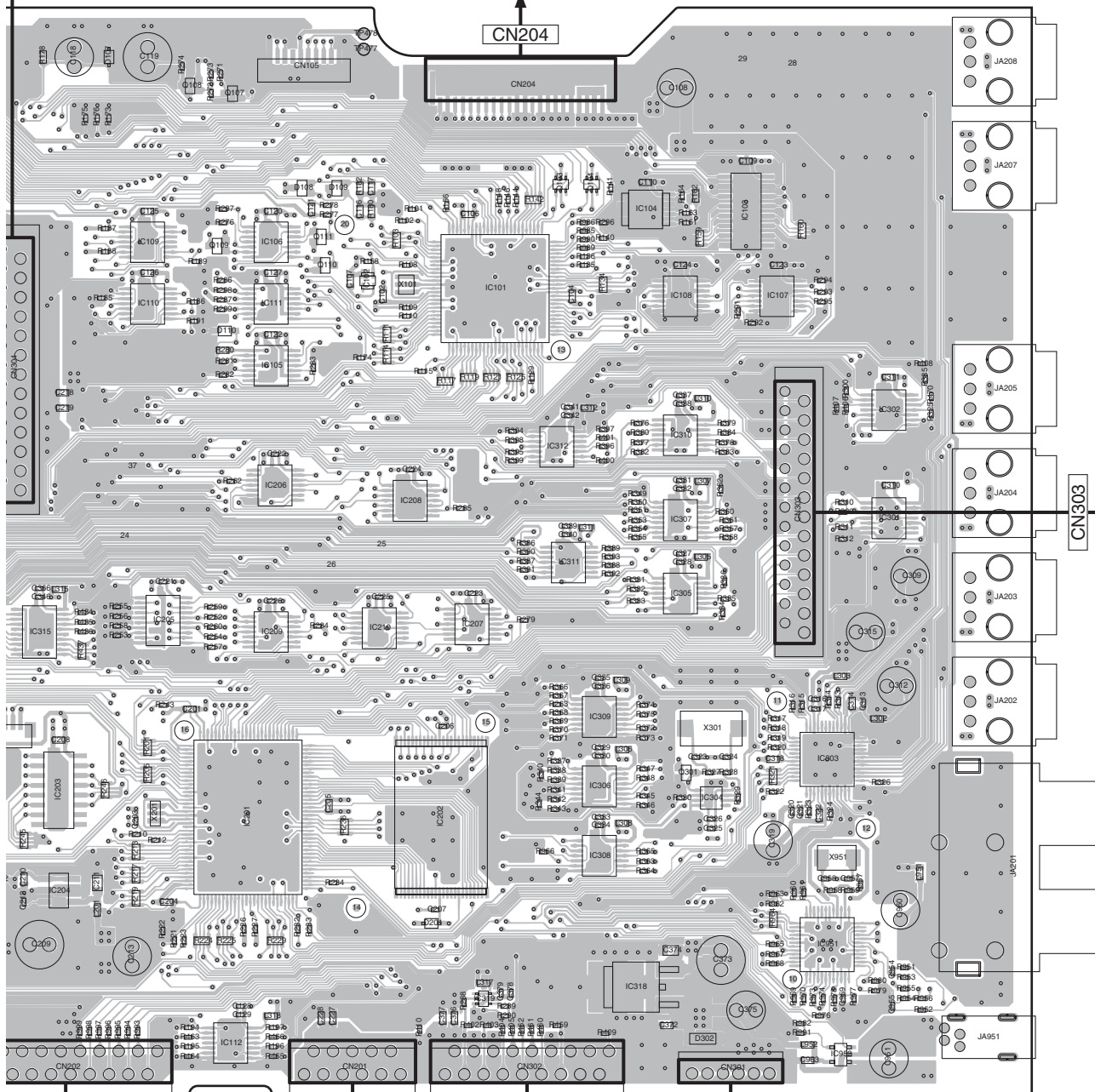
A

N402

I304

AJ CN901

CN204



CN202

CN201

CN302

CN301

(ANP7599-B)

N CN4304

N CN4305

N CN4306

N CN4307

M CN401

B

C

D

E

F

VSX-LX70

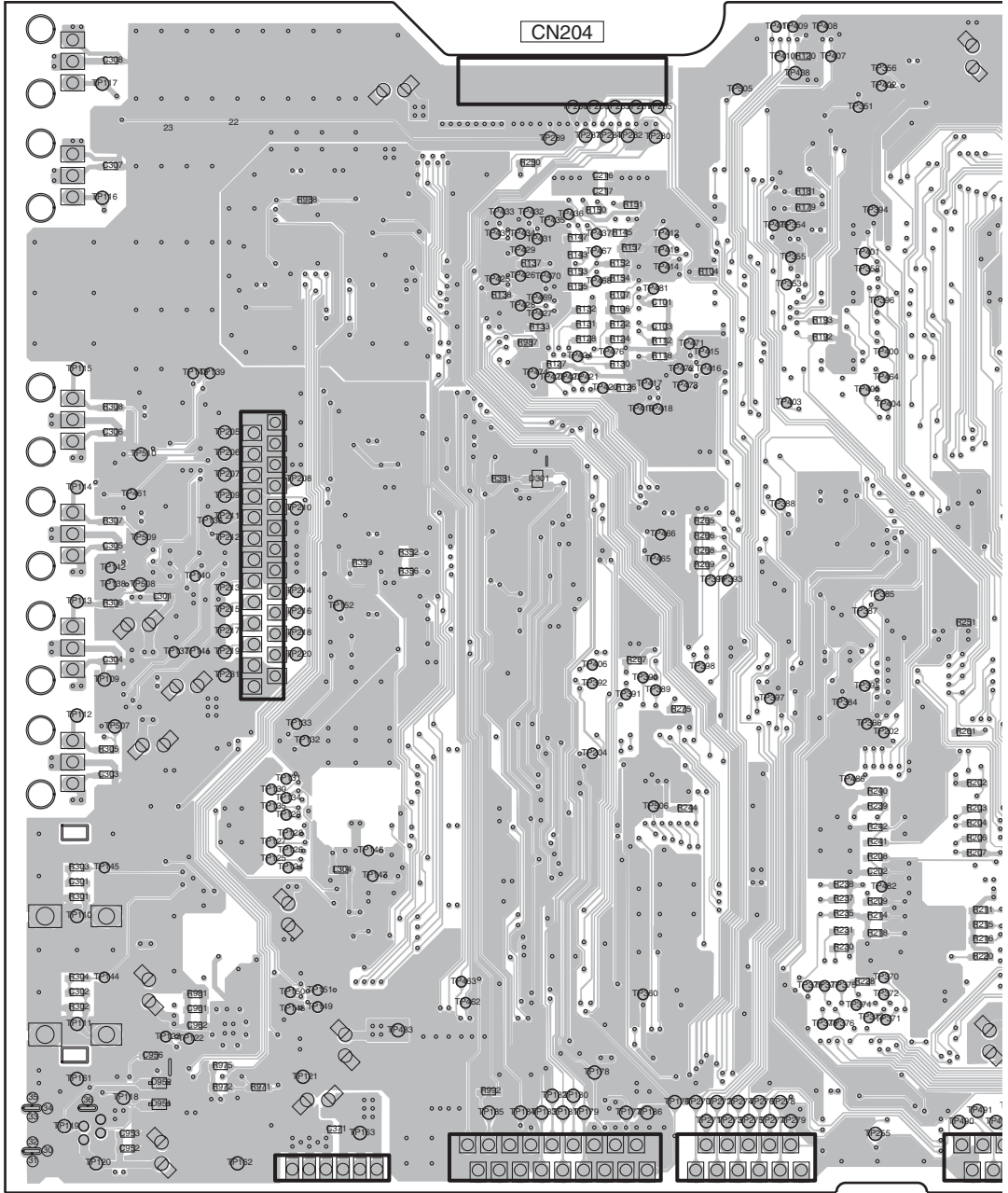


SIDE B

L DIGITAL MOTHER ASSY

IC O

Q201 Q202



CN301

CN302

CN201

SIDE B

A

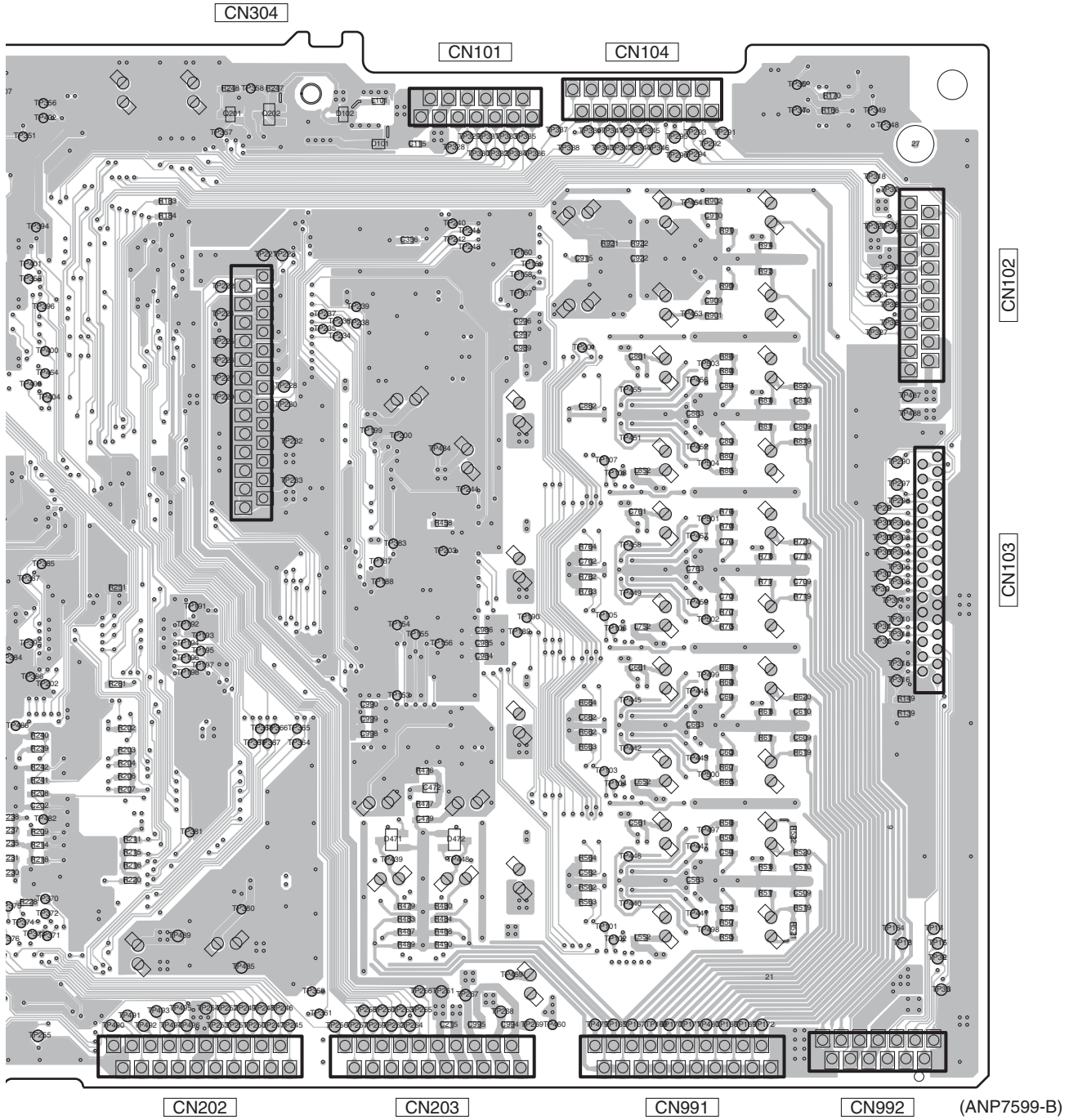
B

C

D

E

F



11.10 DSP ASSY

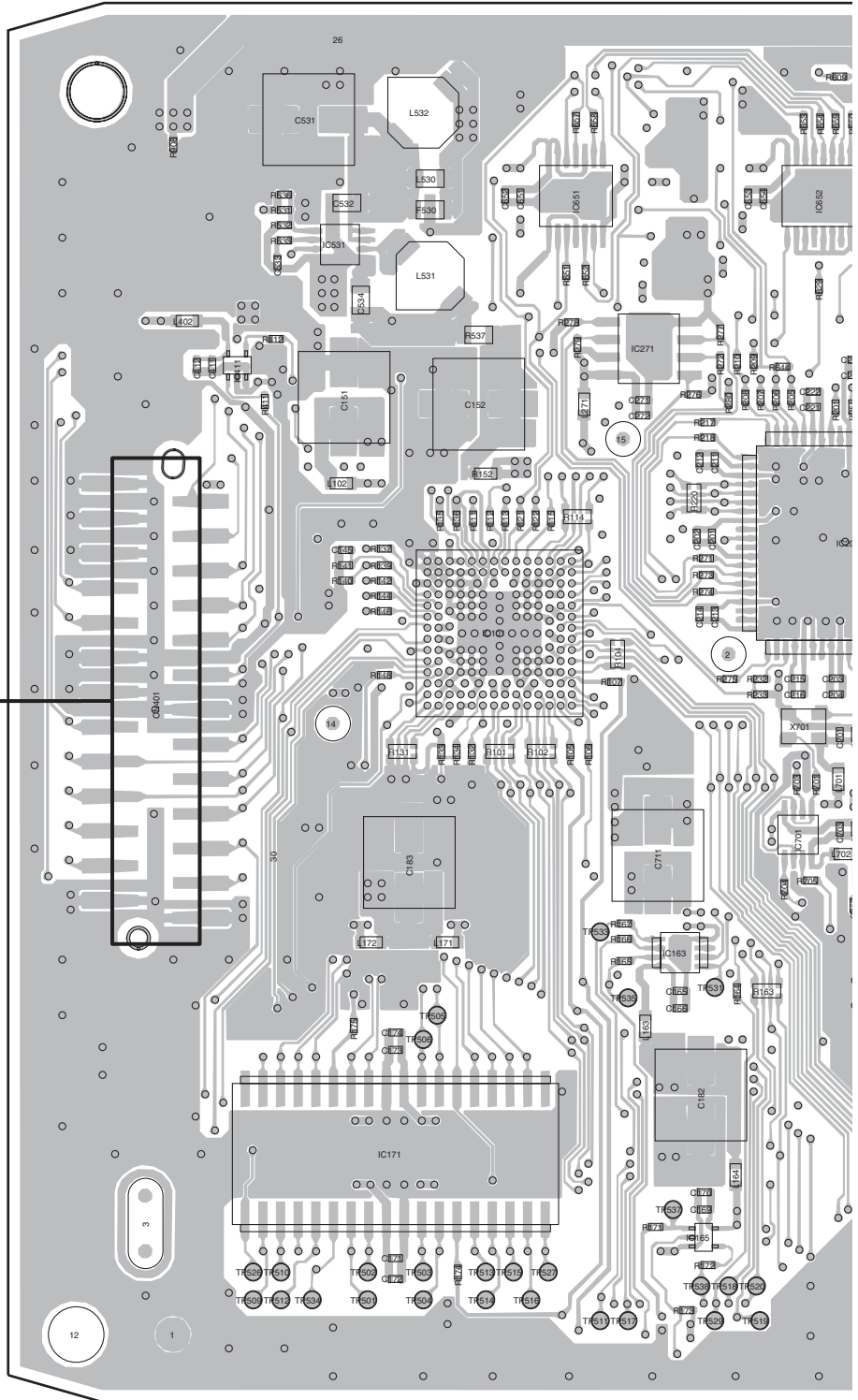
SIDE A

M DSP ASSY

IC	Q
IC511 IC651 IC652 IC653	
IC541 IC531	
IC521 IC271 IC411	
IC201	
IC301 IC101	
IC701 IC751	
IC752	Q751
IC163 IC363	
IC171 IC371	
IC365 IC165	

L CN303

CN401



M

5

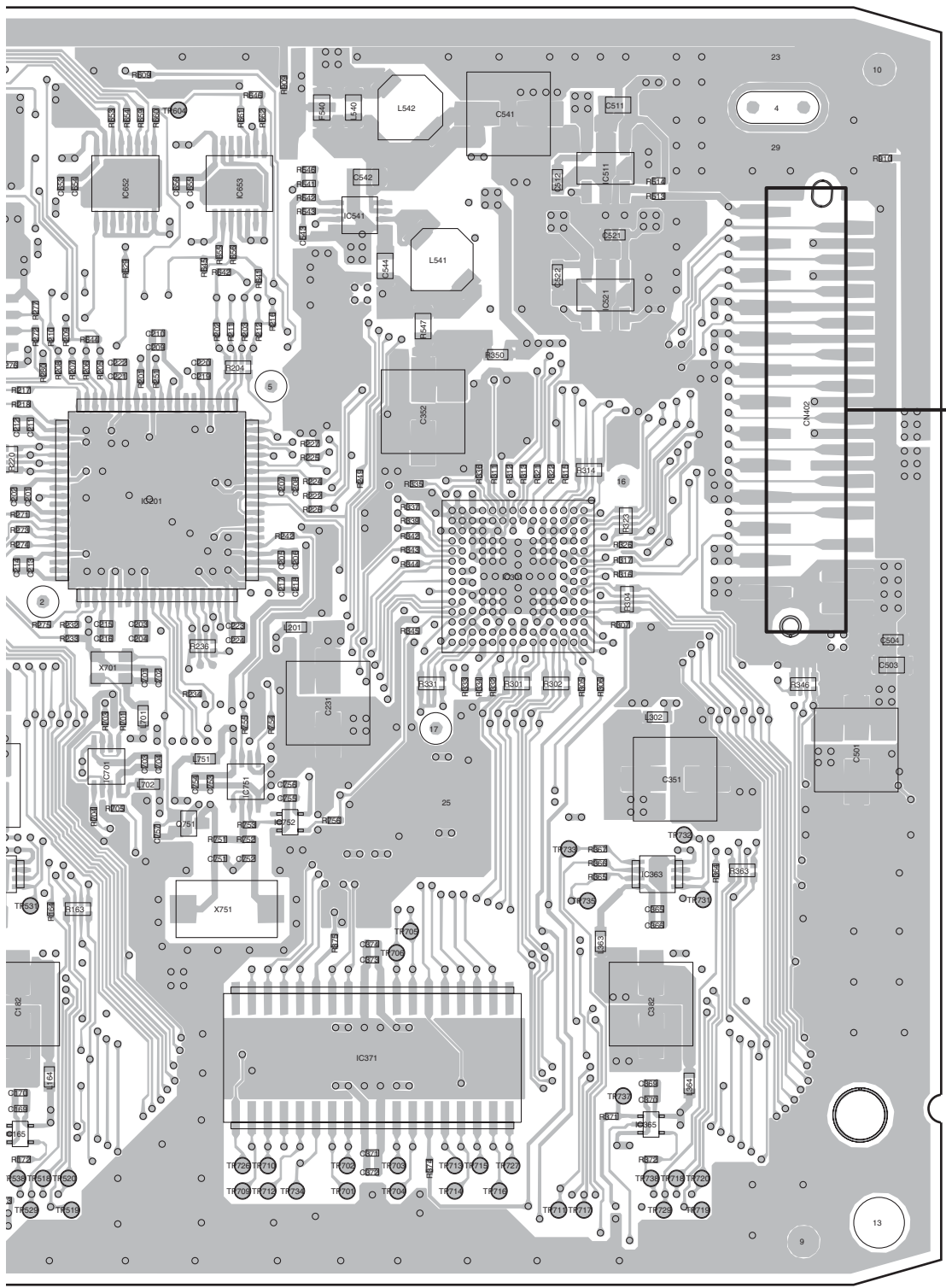
6

7

8

SIDE A

A
B
C
D
E
F



CN402
CN304

(ANP7611-A)

VSX-LX70

M
199

5

6

7

8

SIDE B

M DSP ASSY

A

B

C

D

E

F

IC Q

IC603 IC601
IC602
IC581

IC571

IC623 IC621
IC622

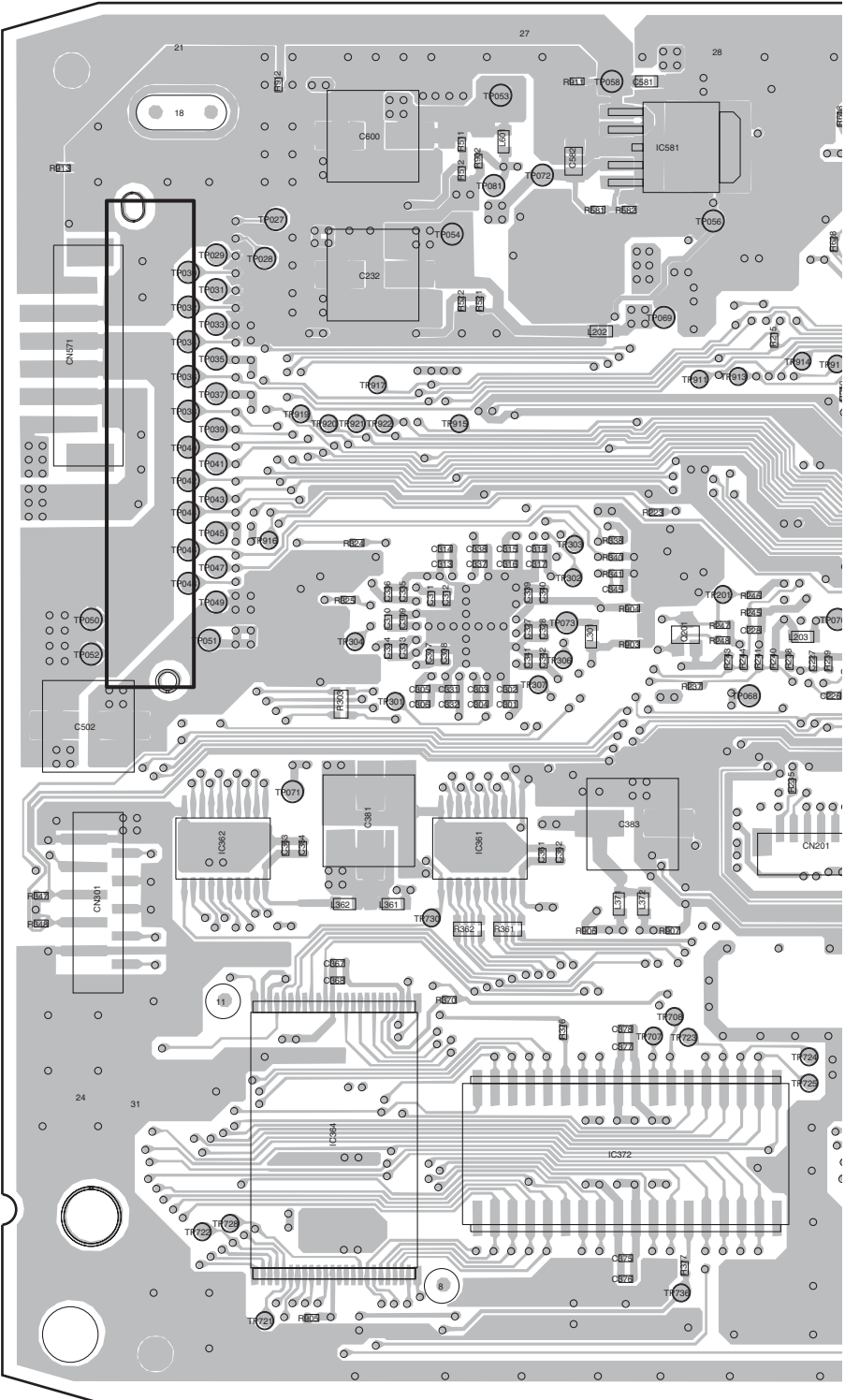
IC401

Q201

IC362 IC361 IC162
IC161

IC364 IC164
IC372 IC172

CN402



SIDE B

A

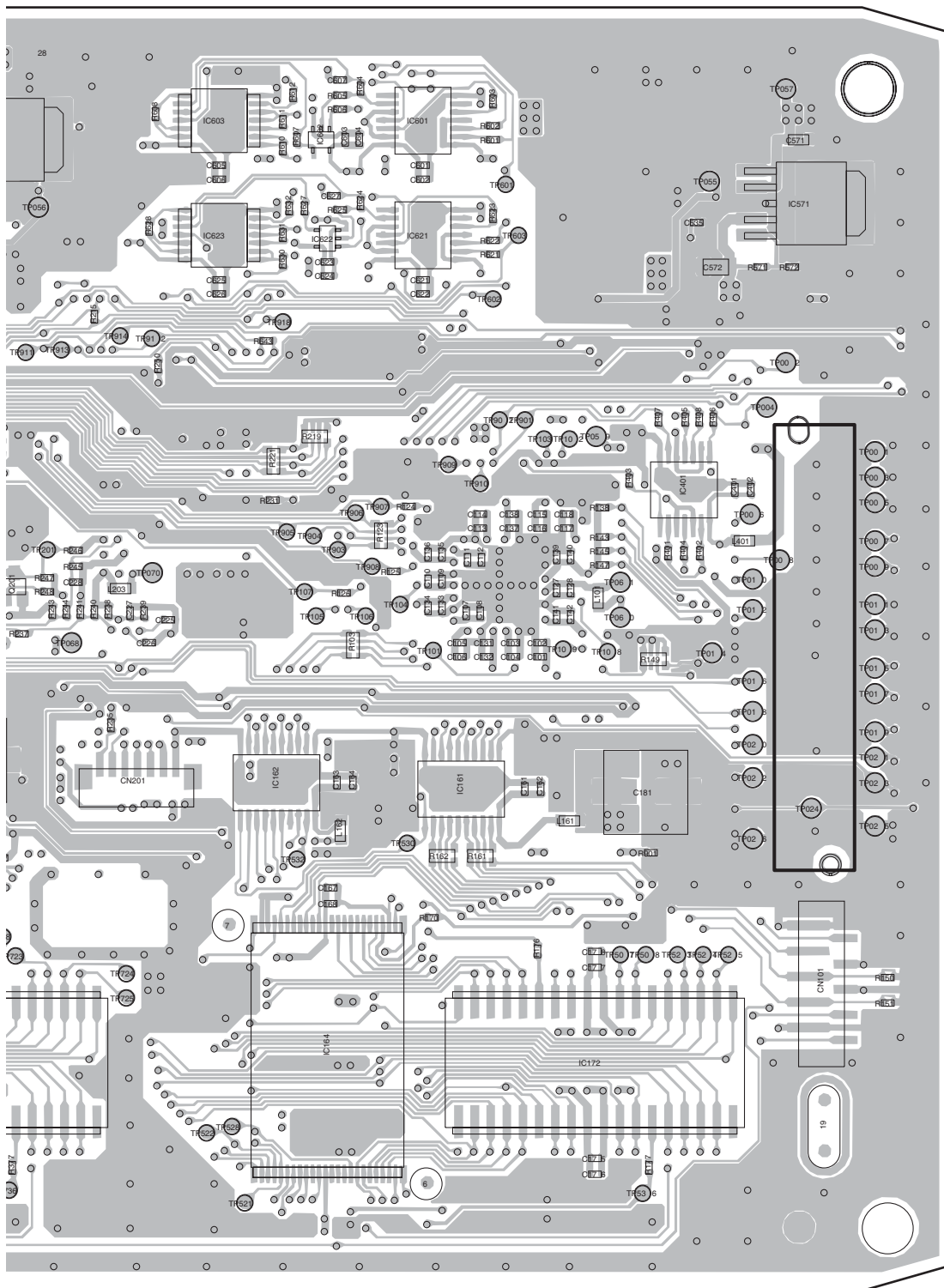
B

C

D

E

F



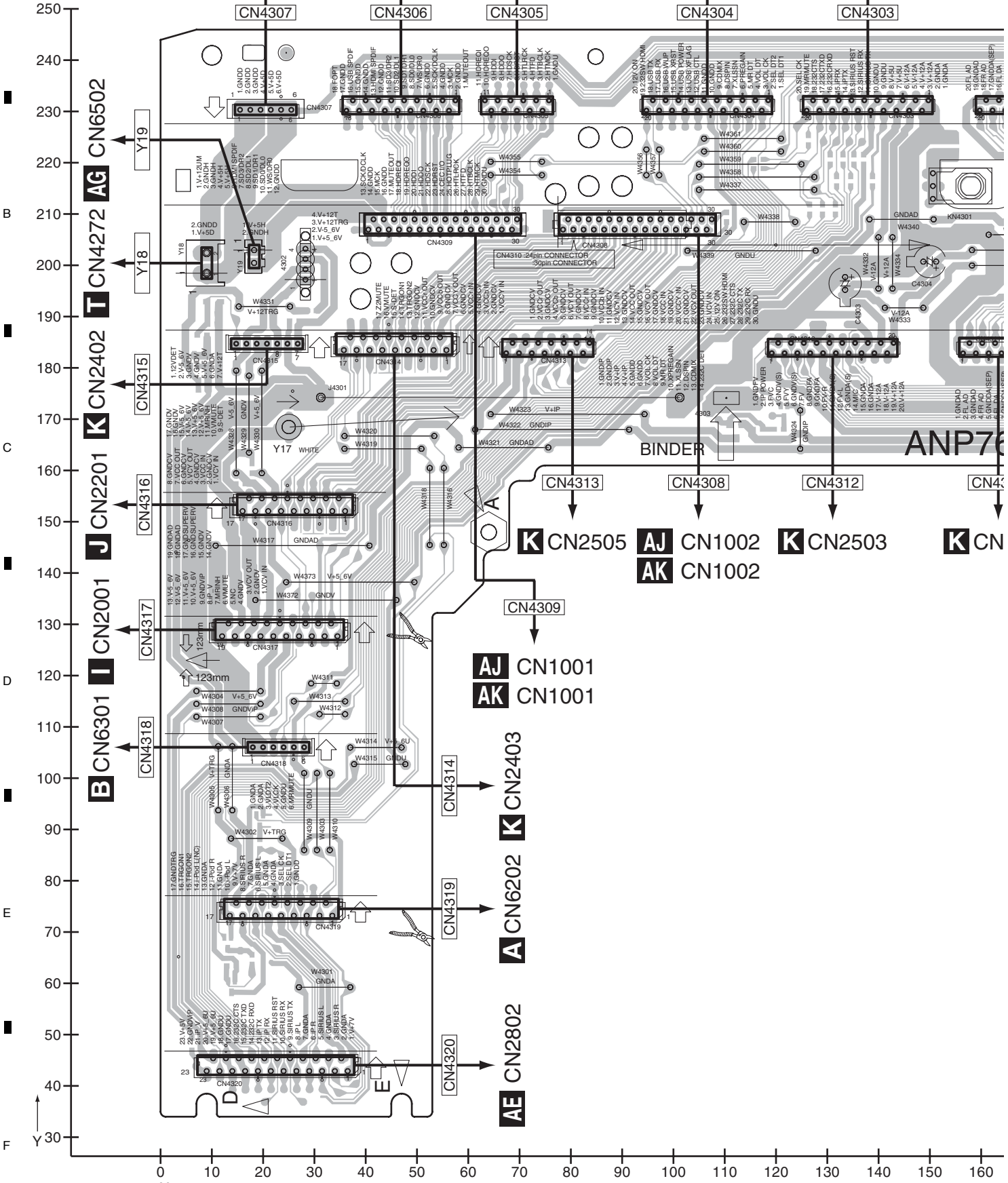
(ANP7611-A)



11.11 INTERFACE ASSY

SIDE A

A



N

203

L CN991

L CN992

C CN3451

SIDE A

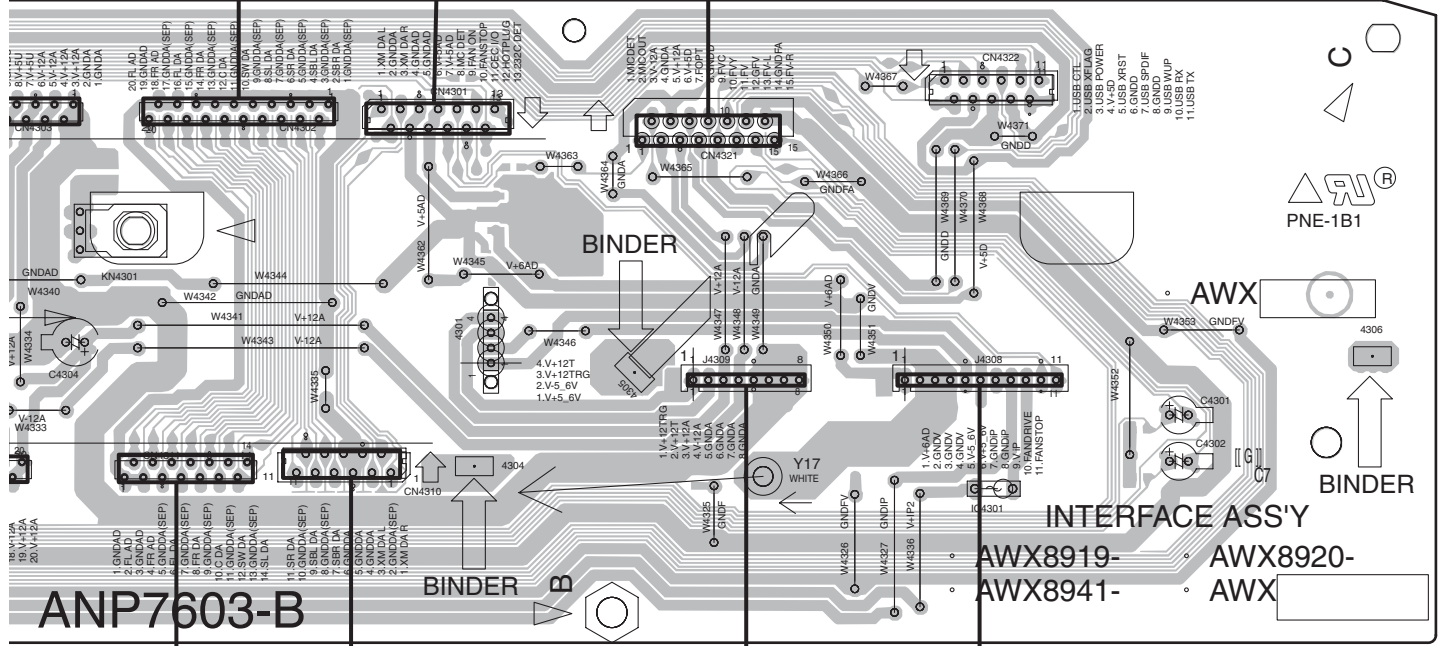
3

CN4302

CN4301

CN4321

N INTERFACE ASSY



ANP7603-B

INTERFACE ASSY

AWX8919-
AWX8941-

AWX8920-
AWX

CN4311

CN4310

J4309

J4308

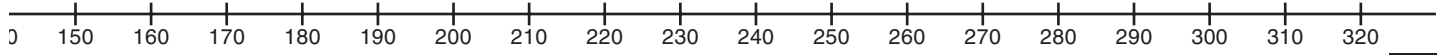
(ANP7603-B)

K CN2501

K CN2506

S CN6105

S CN6106



VSX-LX70

N

1

2

3

4

SIDE B

INTERFACE ASSY

CN4321

CN4301

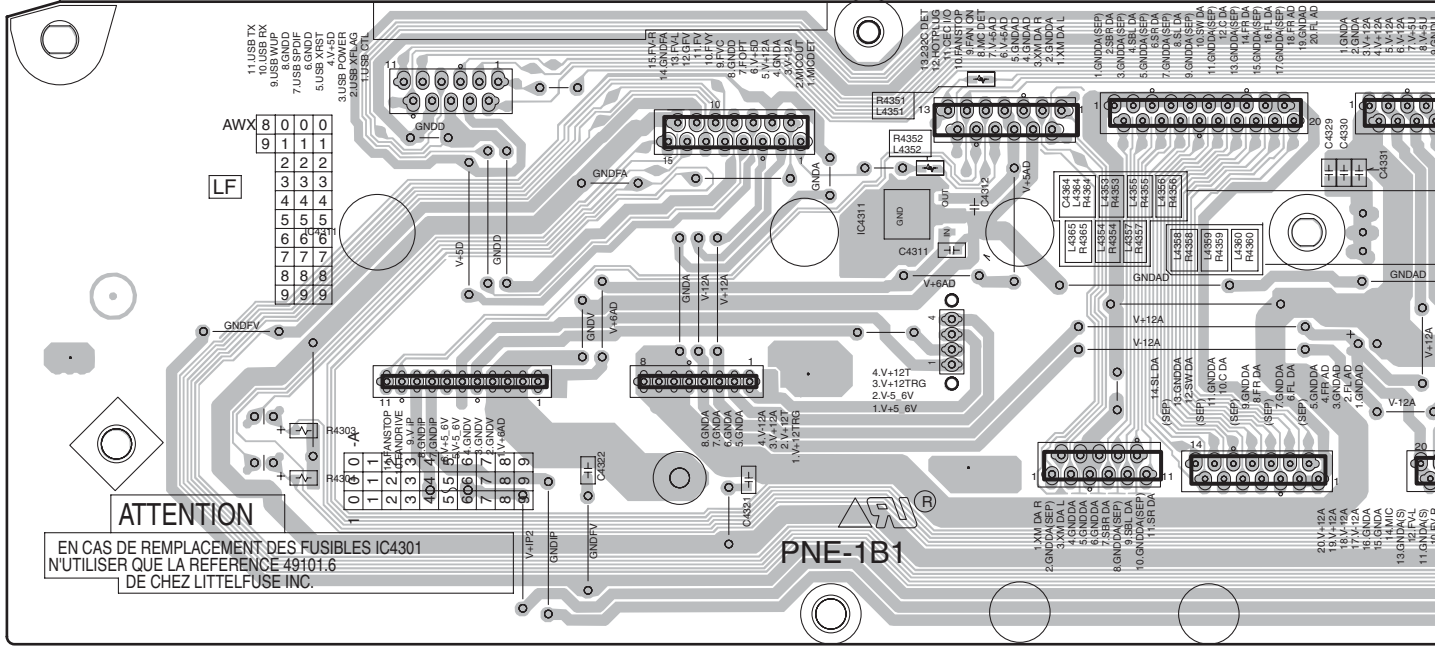
CN4302

C

A

B

C



ATTENTION

EN CAS DE REMPLACEMENT DES FUSIBLES IC4301
N'UTILISER QUE LA REFERENCE 49101.6
DE CHEZ LITTELFUSE INC.

(ANP7603-B)

J4308

J4309

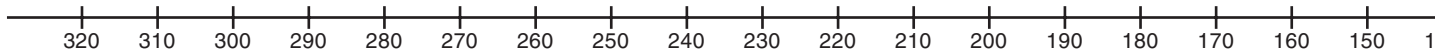
CN4310

CN4311

D

E

F



N

204

VSX-LX70

1

2

3

4

SIDE B

A

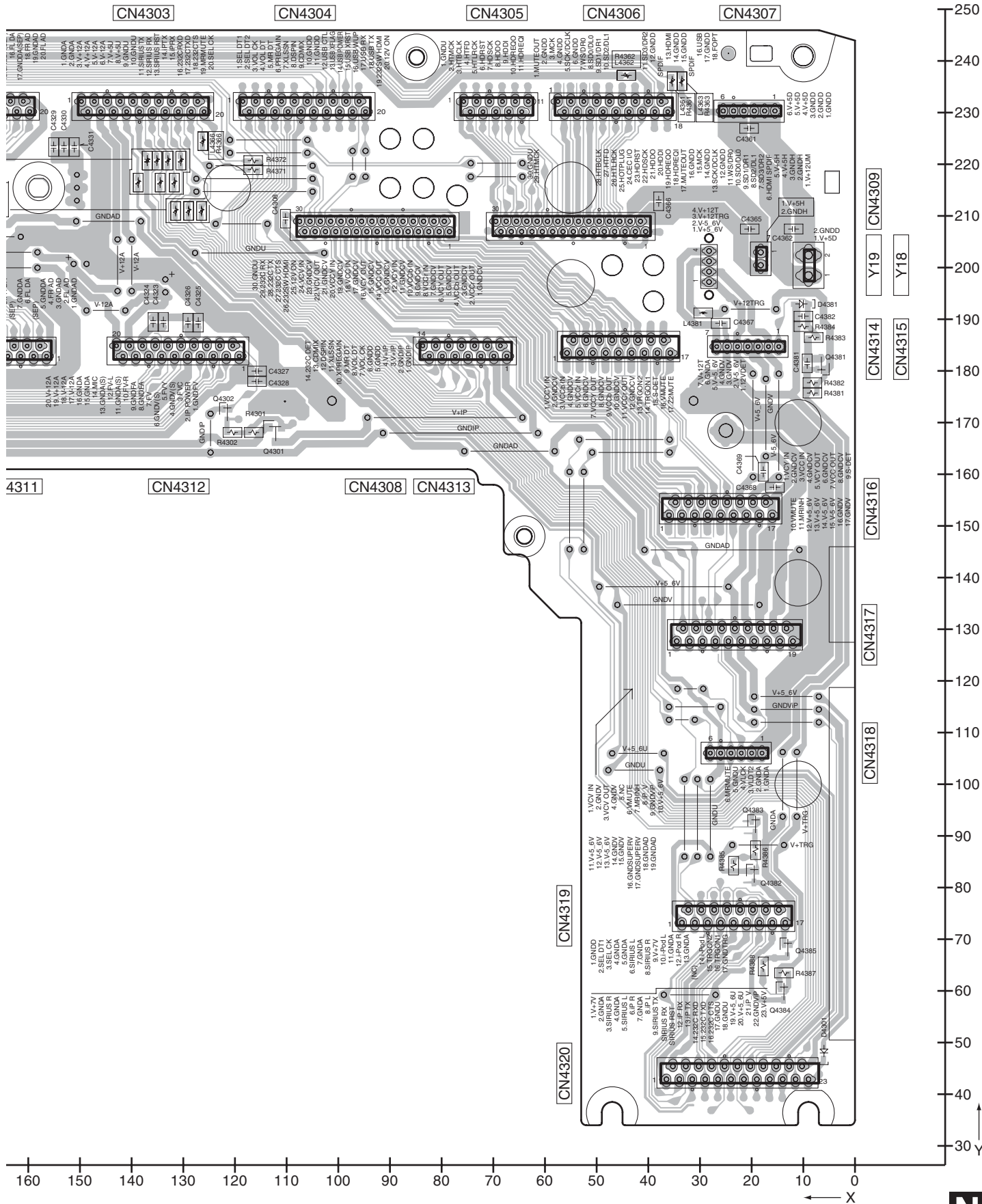
B

C

D

E

F



VSX-LX70



11.12 POWER AMP IN ASSY

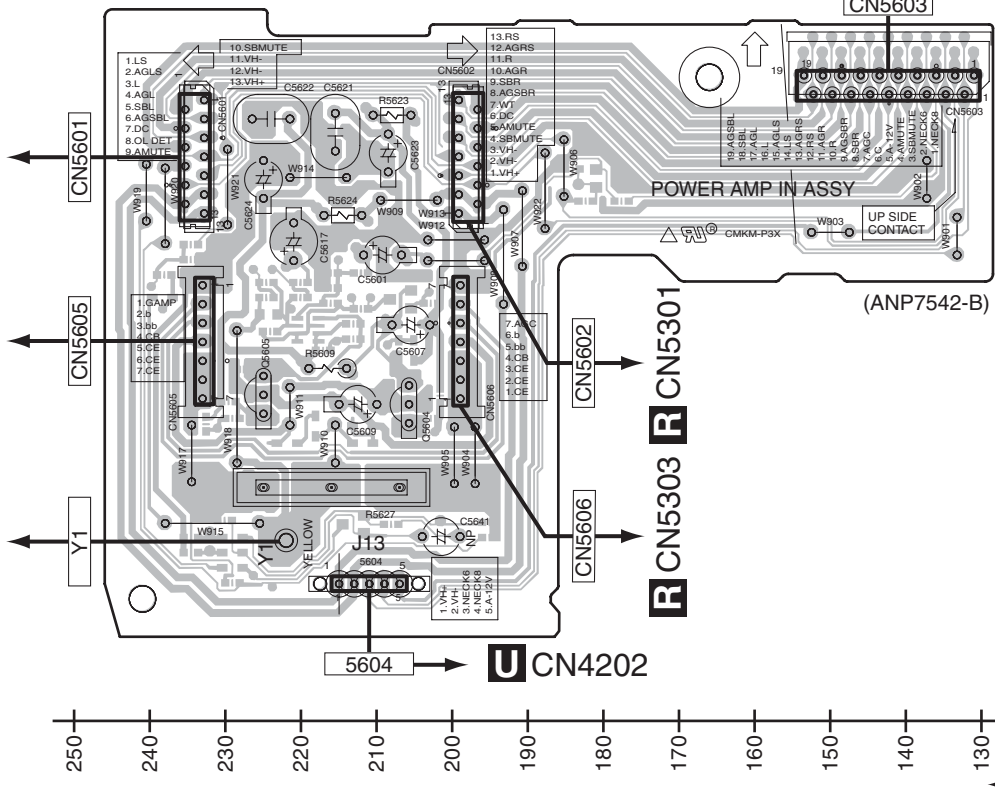
SIDE A

POWER AMP IN ASSY

K CN2601

SIDE A

X CN4003
Q CN5003
C CN5001

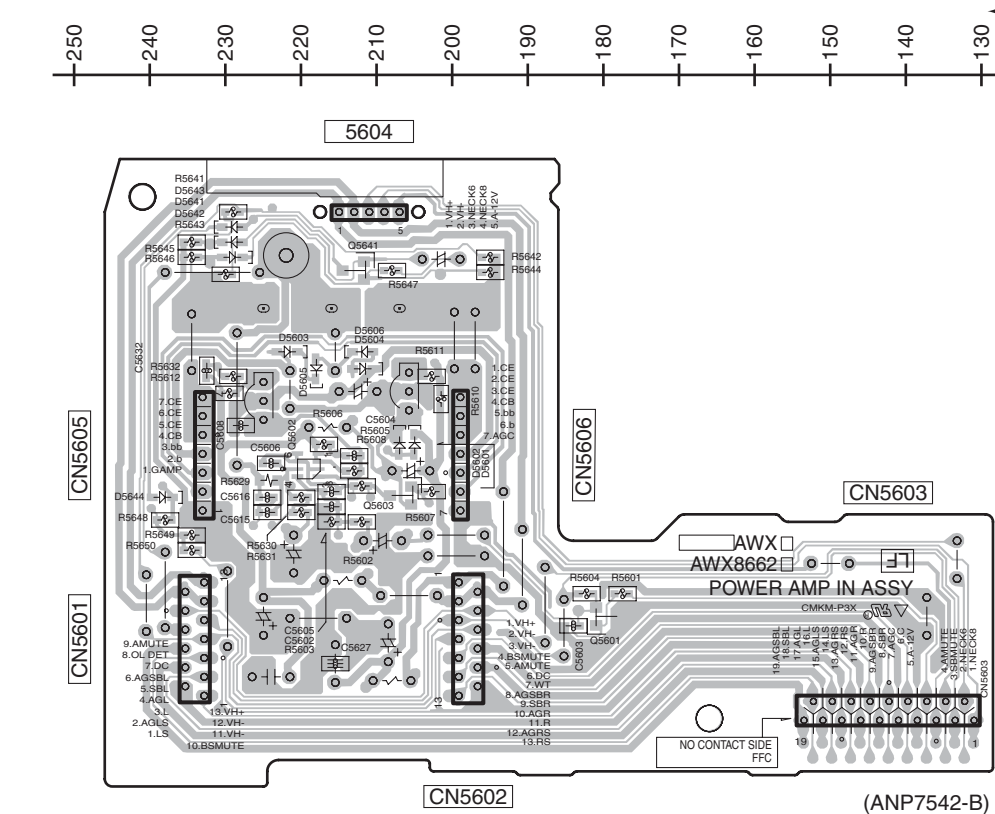


SIDE B

POWER AMP IN ASSY

SIDE B

CN5605
CN5601

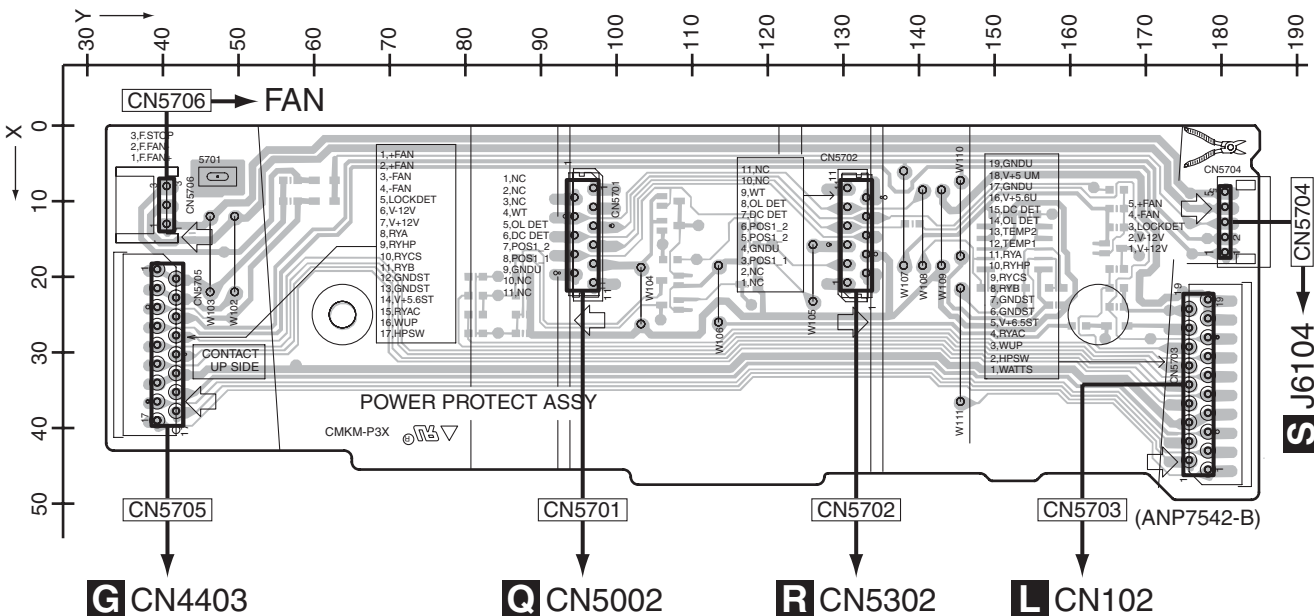


11.13 POWER PROTECT ASSY

SIDE A

SIDE A

P POWER PROTECT ASSY



G CN4403

Q CN5002

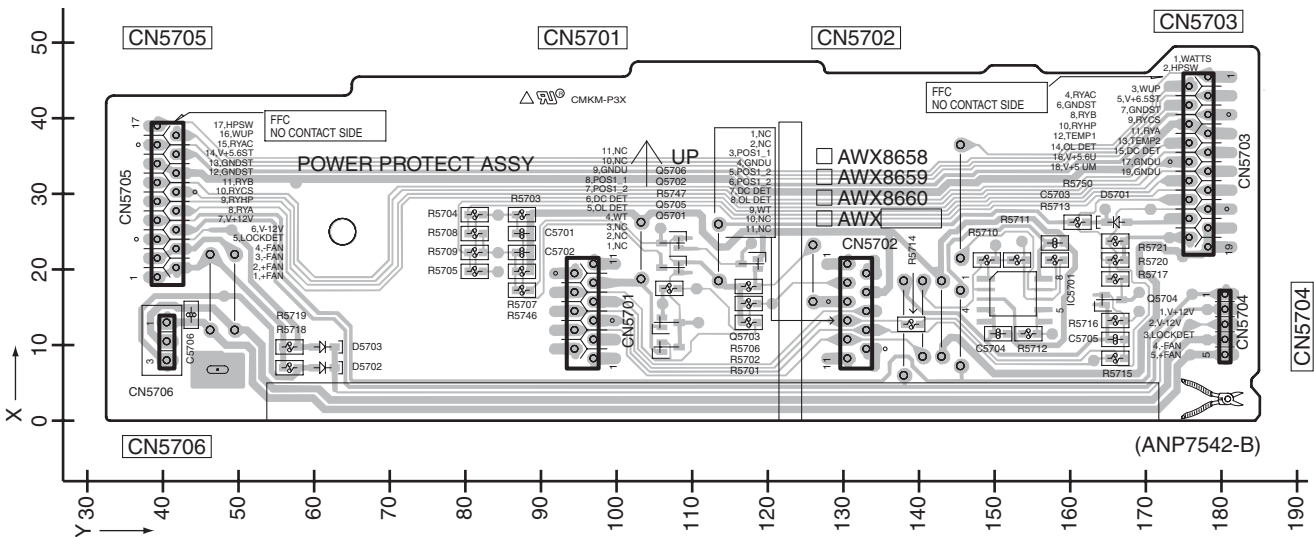
R CN5302

L CN102

SIDE B

SIDE B

P POWER PROTECT ASSY



P

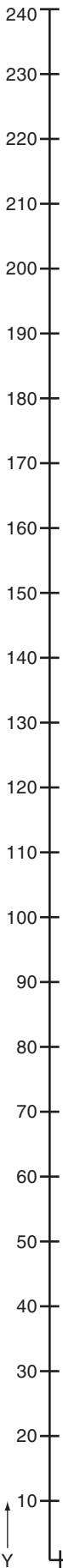
P

1 2 3 4
11.14 POWER AMP L and POWER AMP R ASSYS

SIDE A

Q POWER AMP L ASSY

R POWER AMP R ASSY



A
B
C
D
E
F

Q R

P CN5701

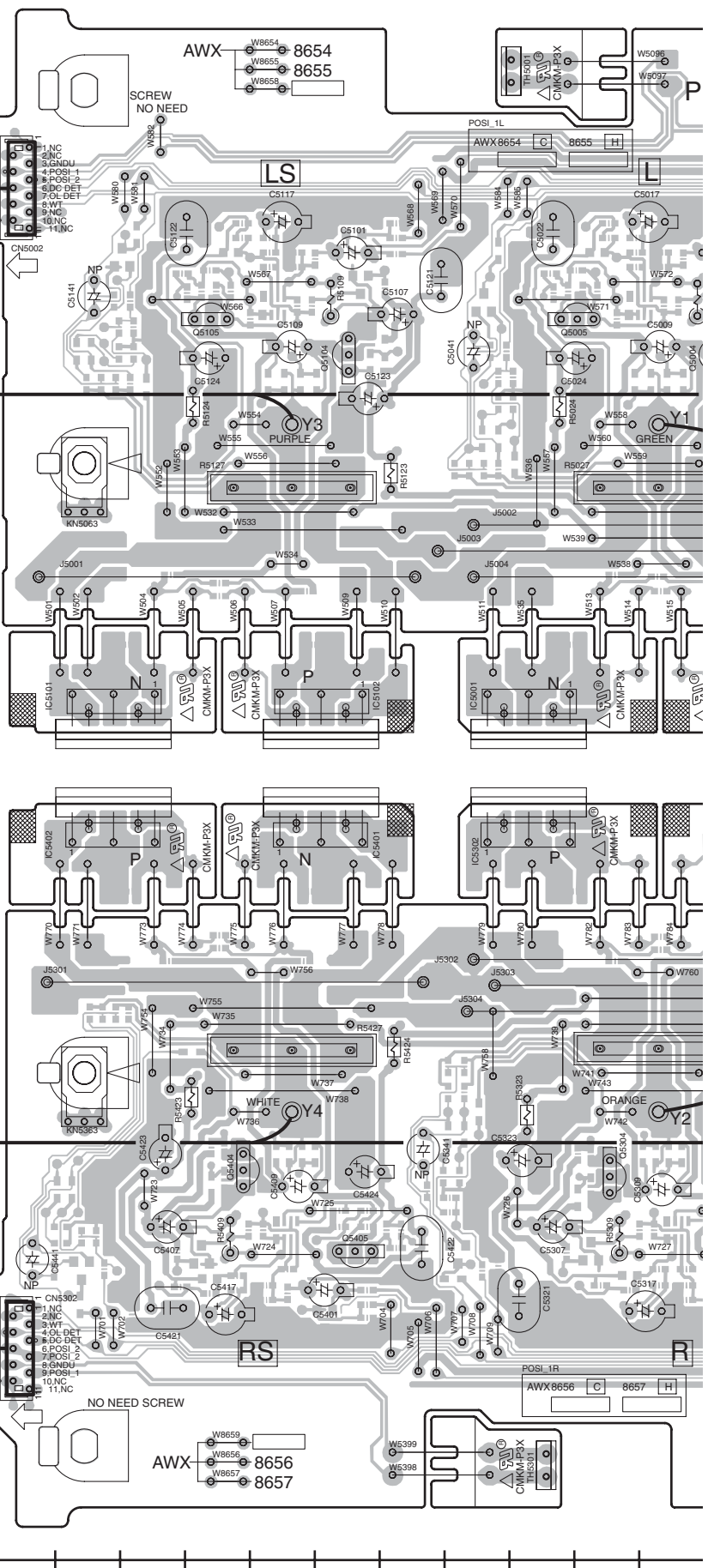
X CN4005

X CN4006

P CN5702

P CN5302

Q



30 X →

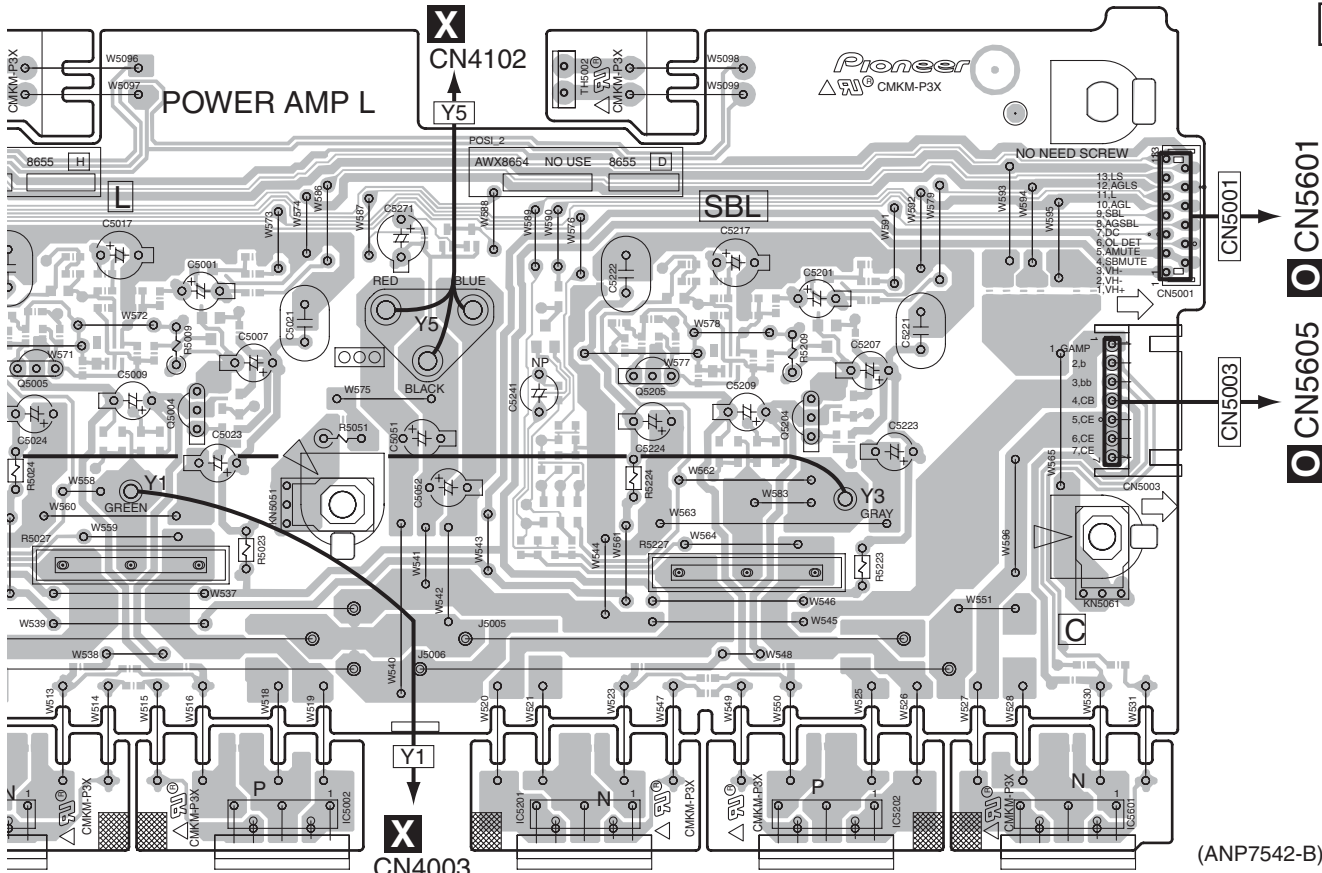
1

2

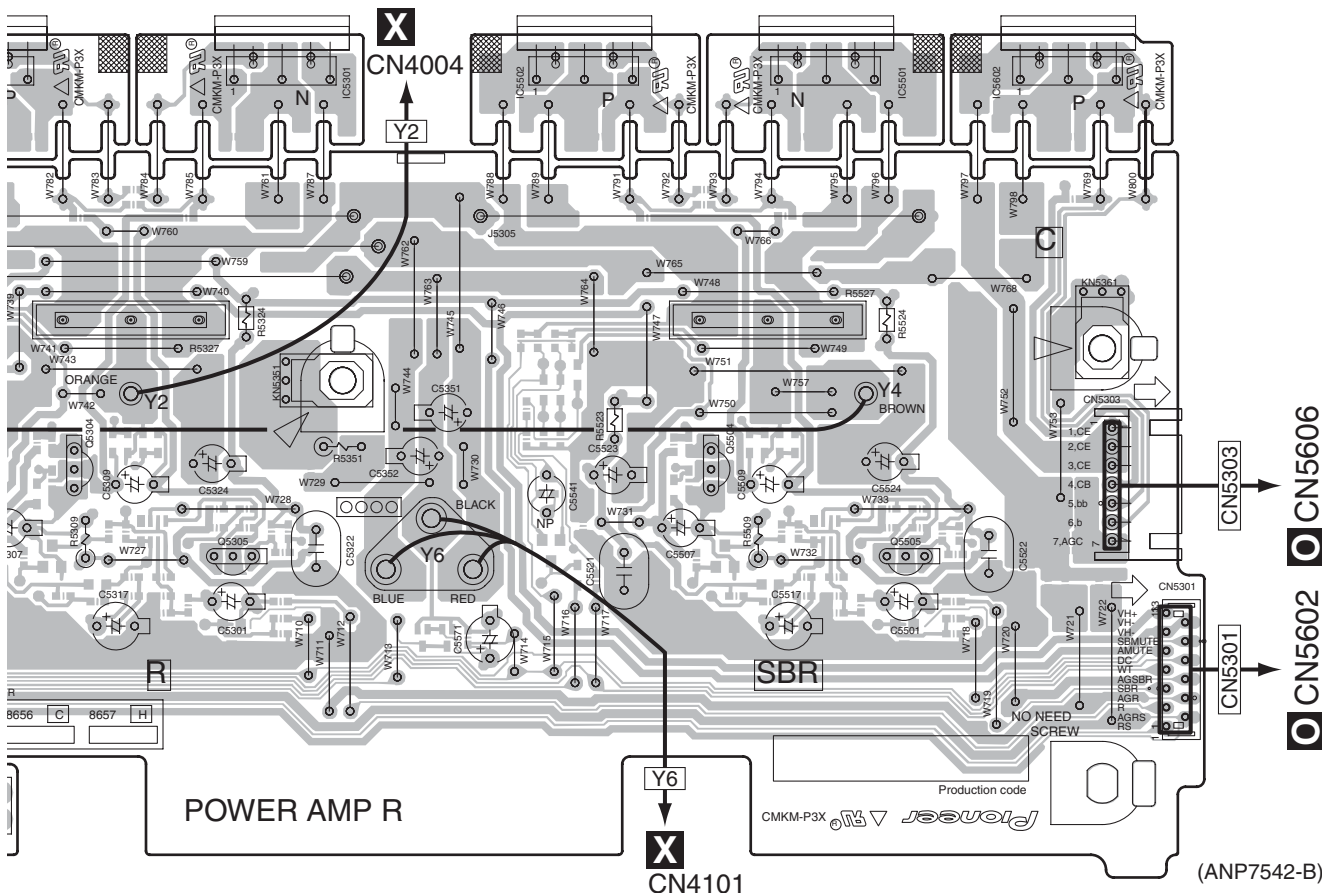
3

4

SIDE A



(ANP7542-B)



(ANP7542-B)

170 180 190 200 210 220 230 240 250 260 270 280 290 300 310 320 330

VSX-LX70

Q

R

SIDE B

A

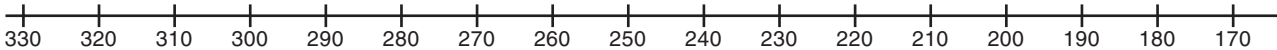
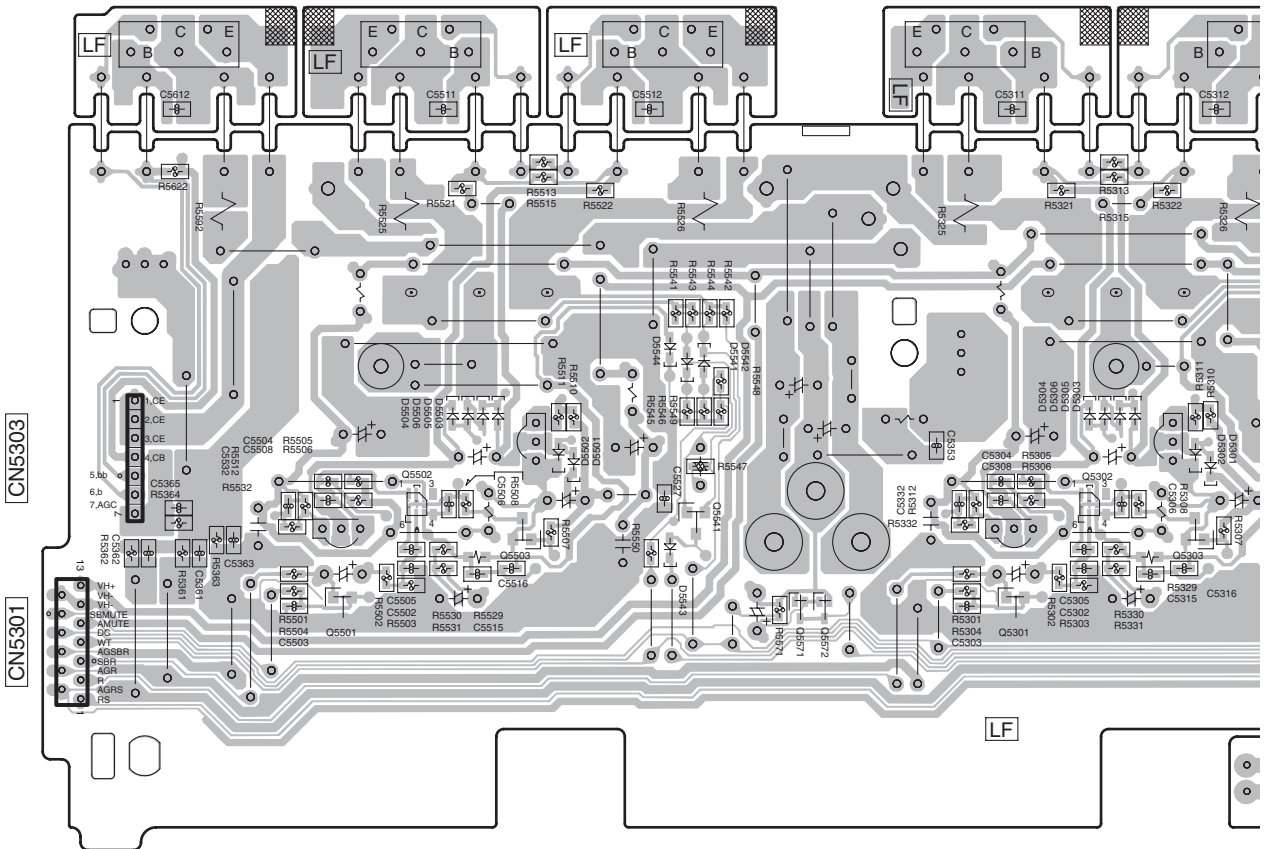
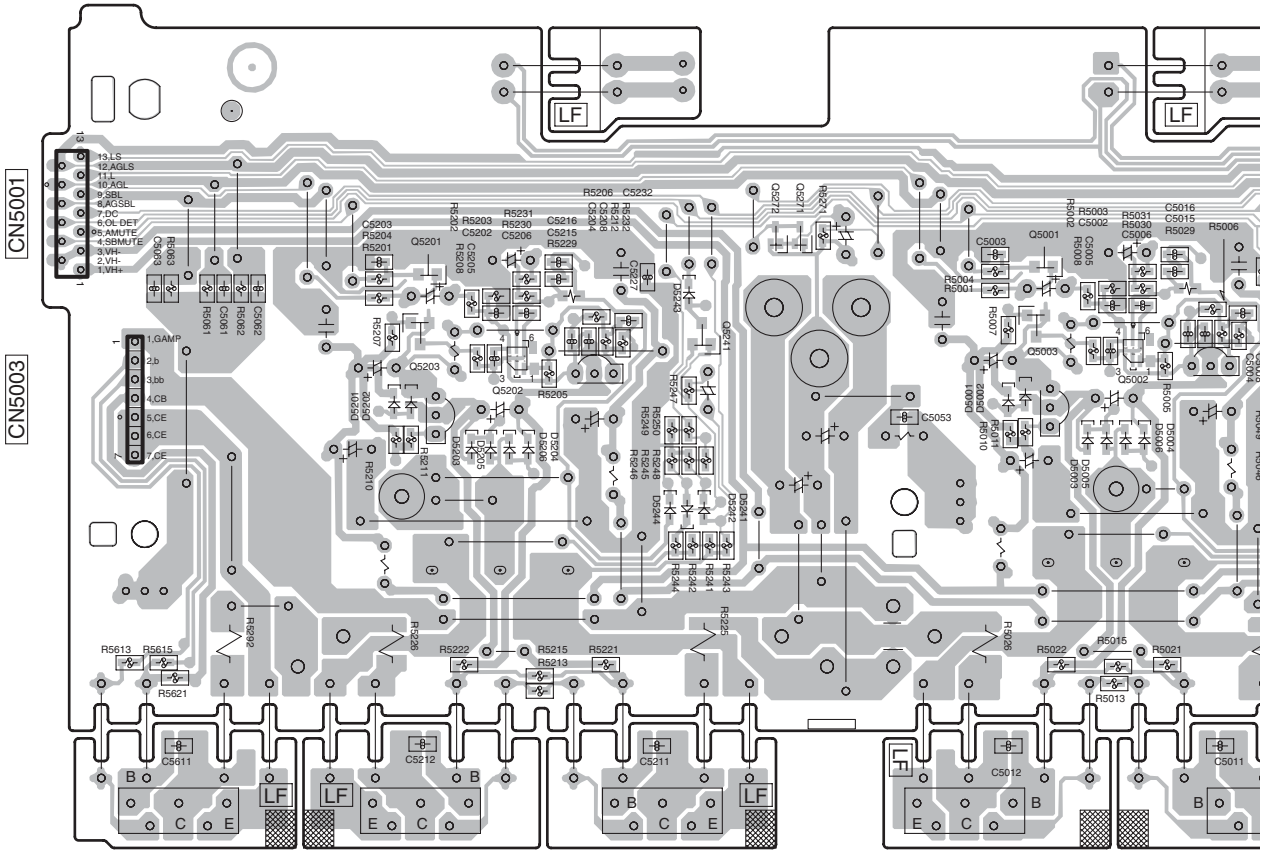
B

C

D

E

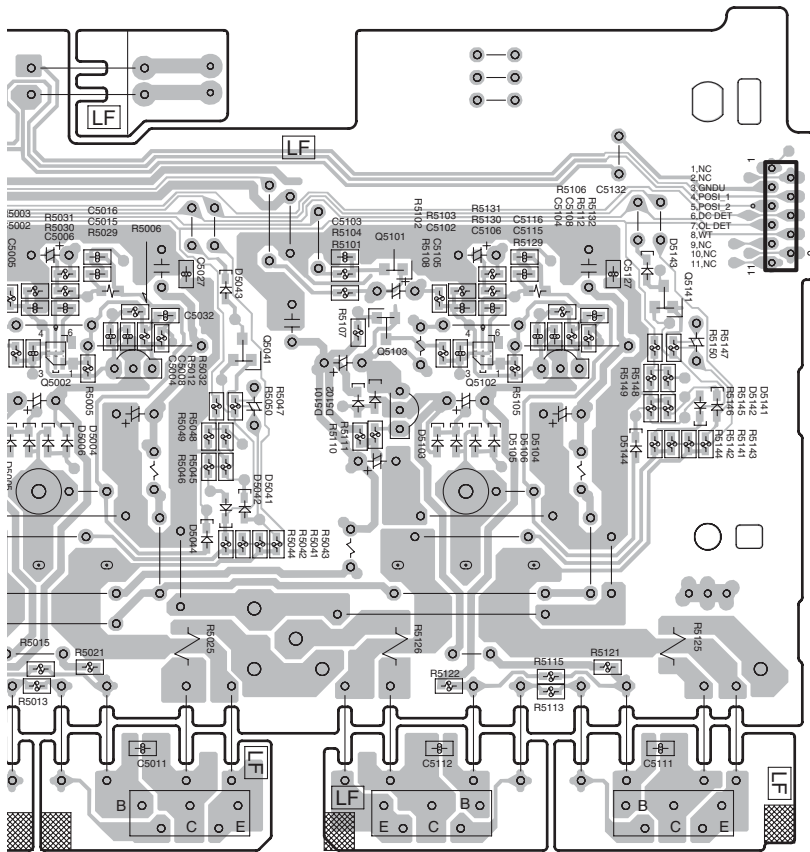
F



Q R

210

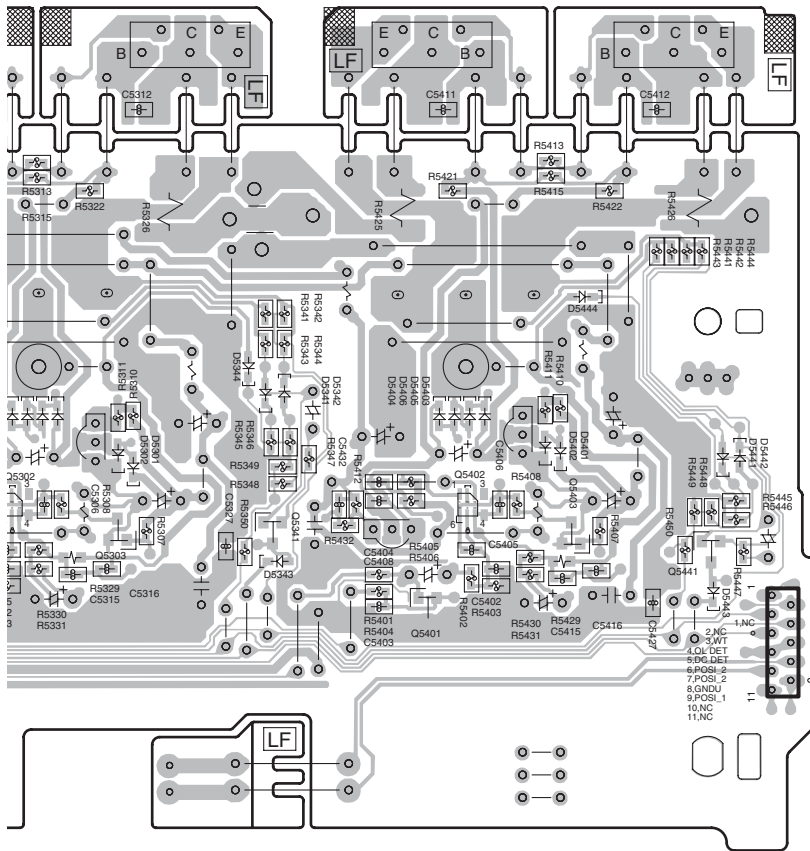
VSX-LX70



(ANP7542-B)

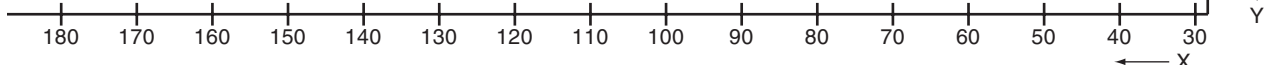
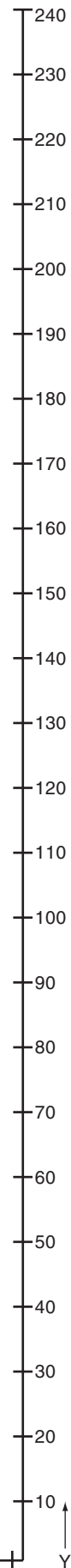
Q POWER AMP
L ASSY

SIDE B



(ANP7542-B)

R POWER AMP
R ASSY

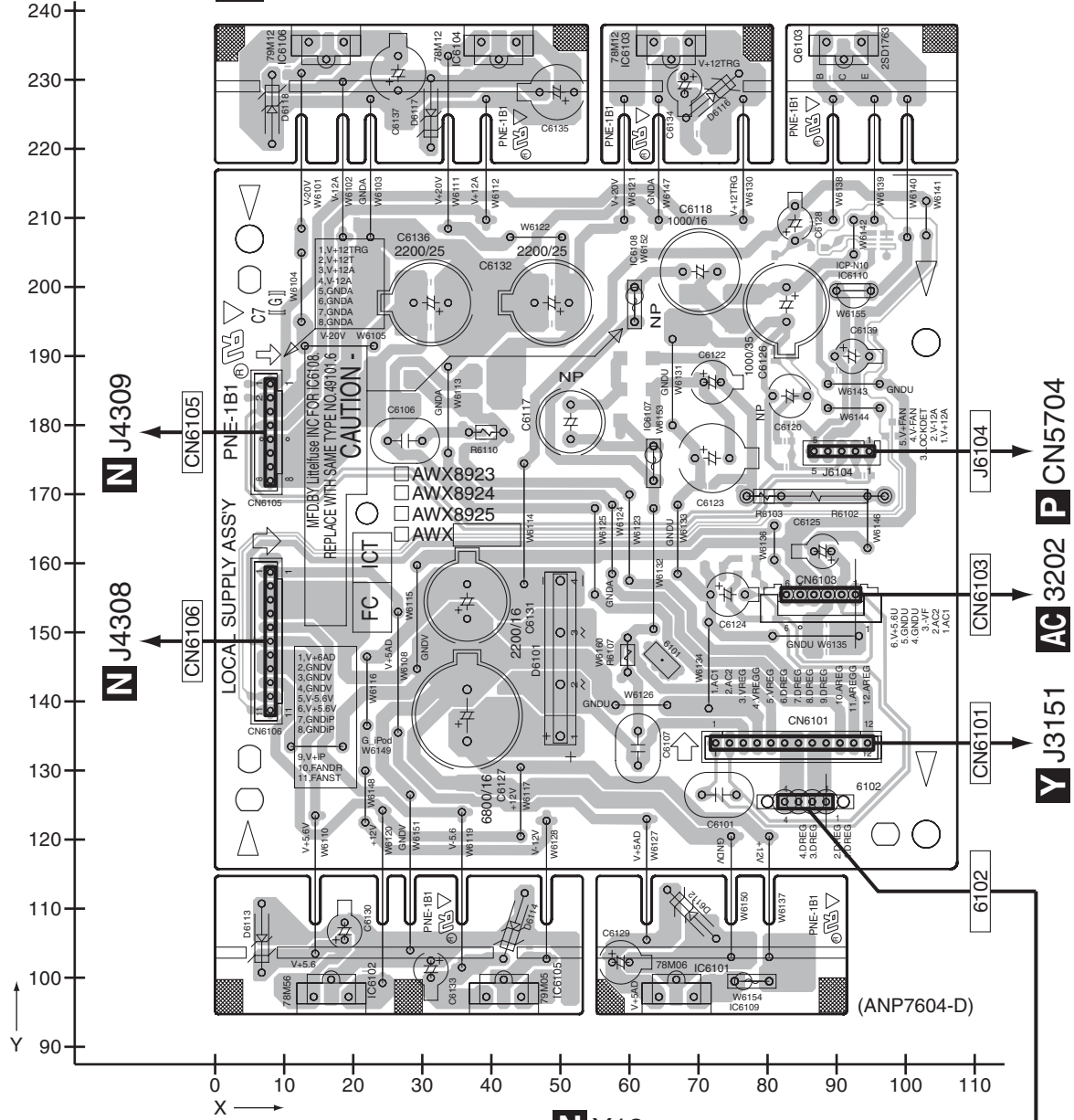


11.15 LOCAL SUPPLY and DC/DC ASSYS

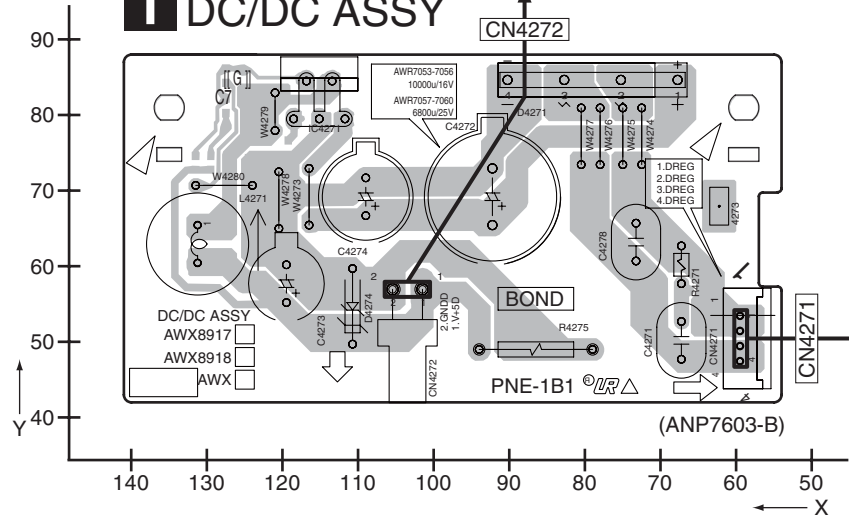
SIDE A

SIDE A

S LOCAL SUPPLY ASSY



T DC/DC ASSY



VSX-LX70

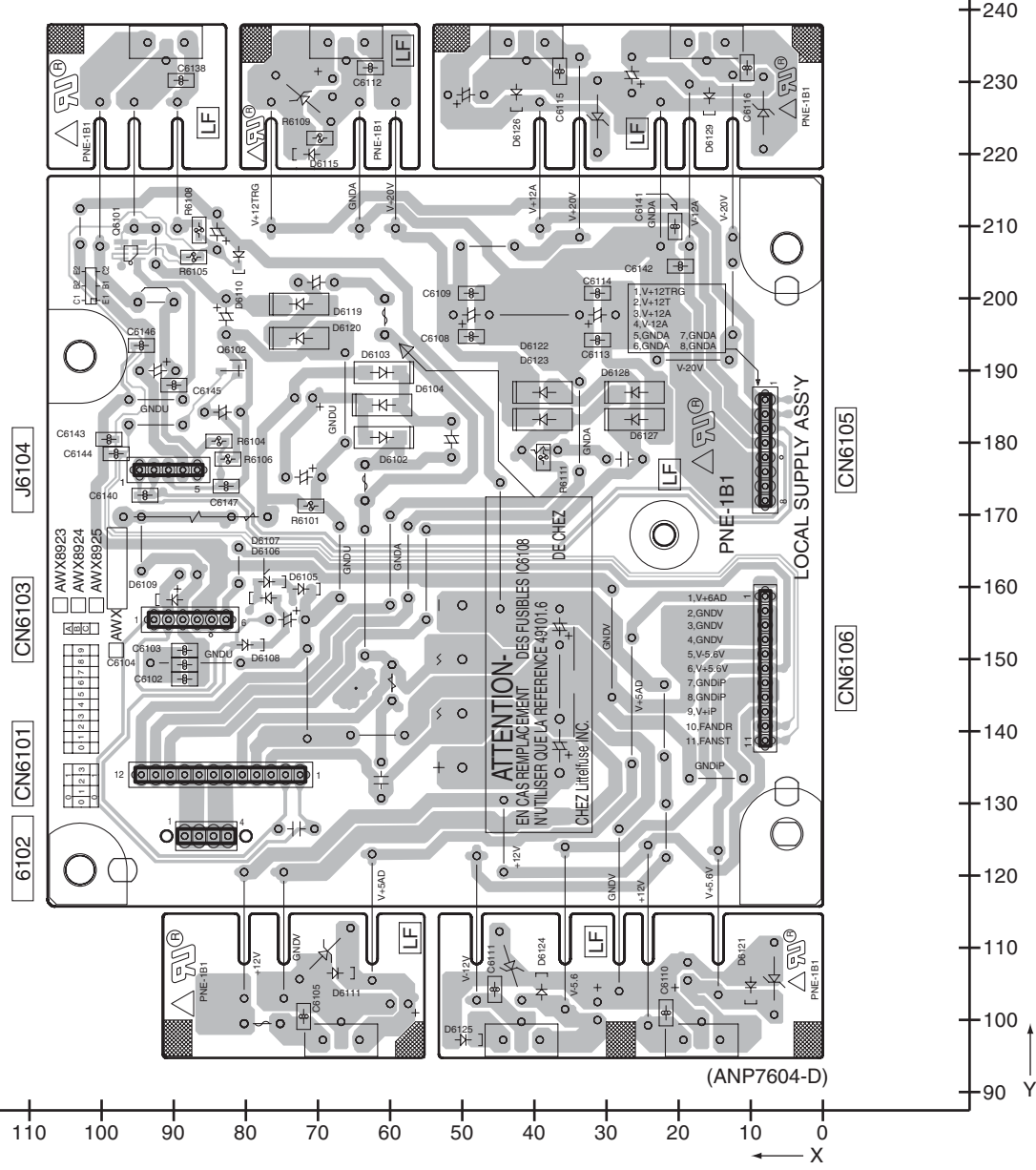
S T

S T

SIDE B

SIDE B

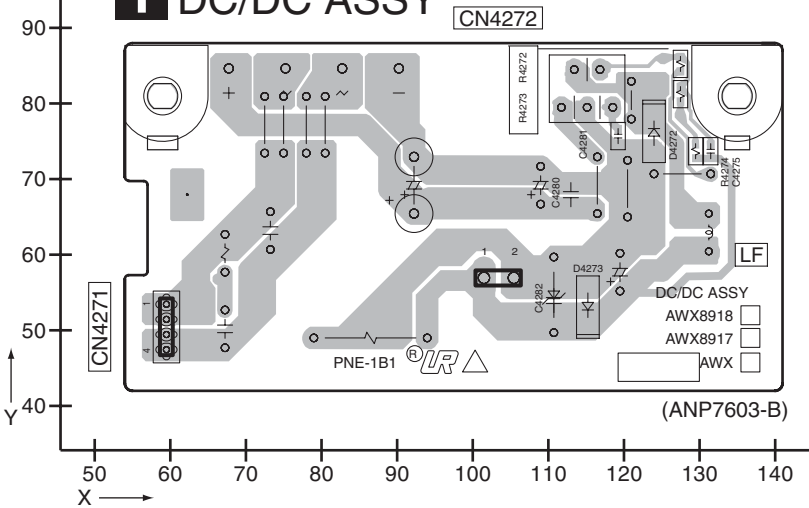
S LOCAL SUPPLY ASSY



S T

S T

T DC/DC ASSY

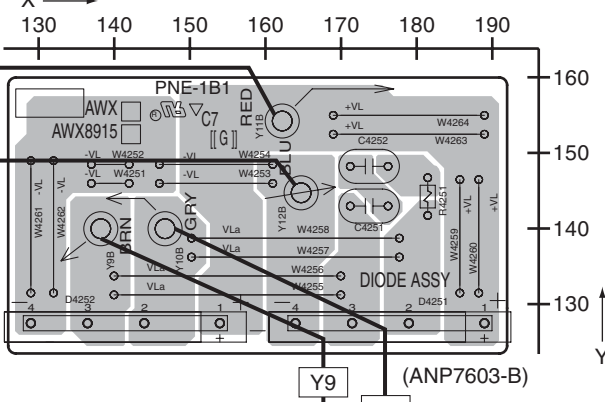
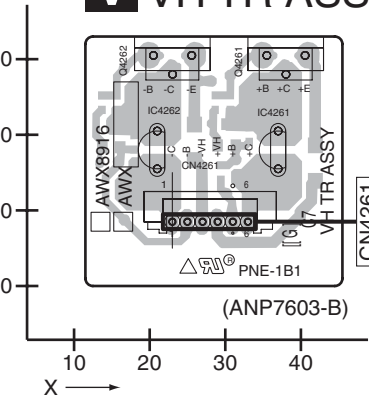


VSX-LX70

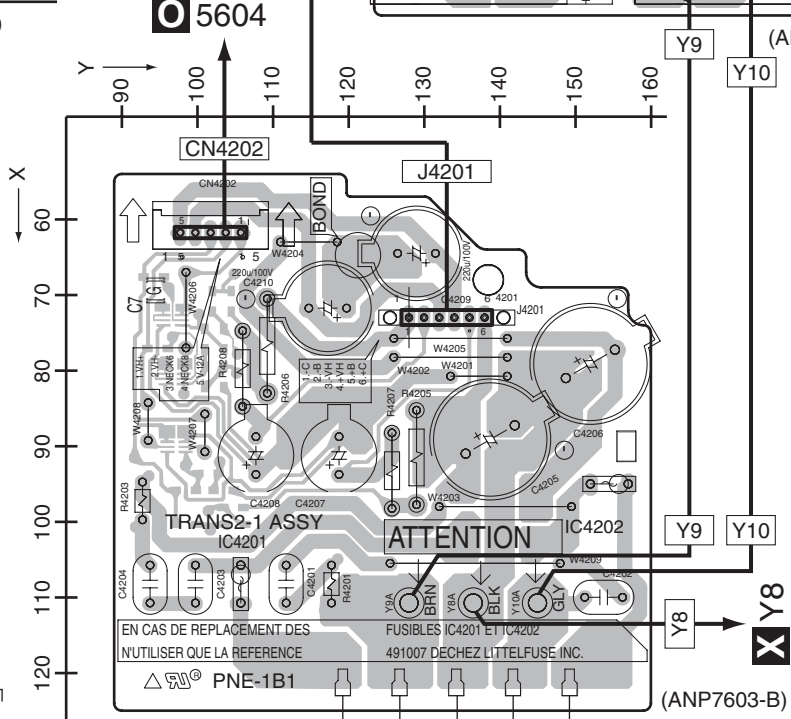
11.16 TRANS2-1, VH-TR, DIODE and TRANS2-2 ASSYS

V VH TR ASSY

W DIODE ASSY

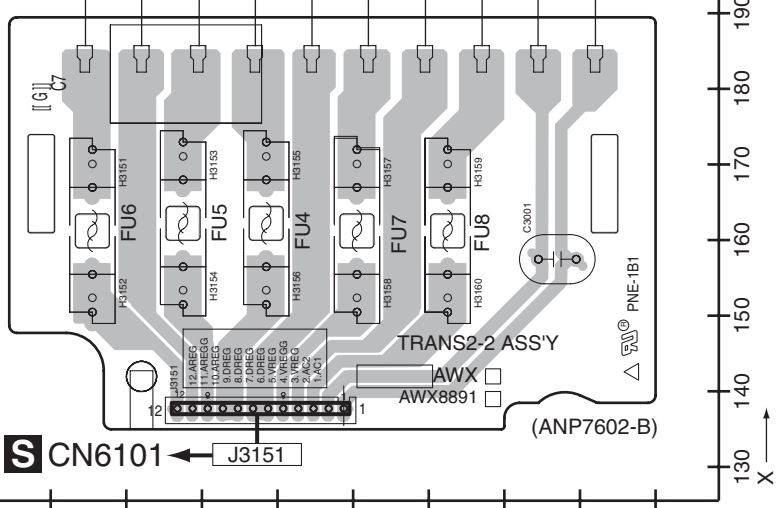


U TRANS2-1 ASSY



AL TRANS 1 ASSY

Y TRANS2-2 ASSY



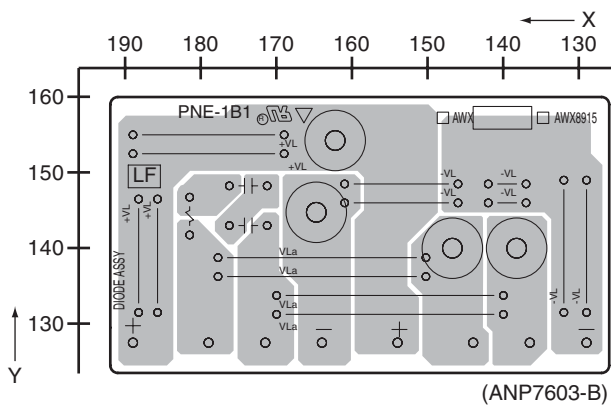
POWER TRANSFORMER

U V W Y

U V W Y

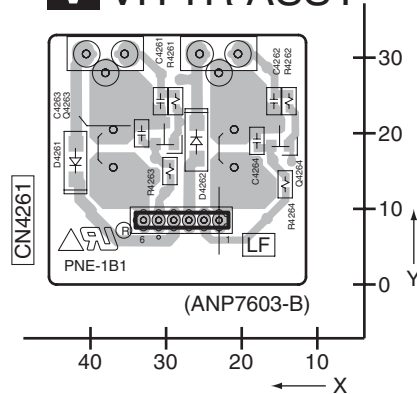
SIDE B

W DIODE ASSY

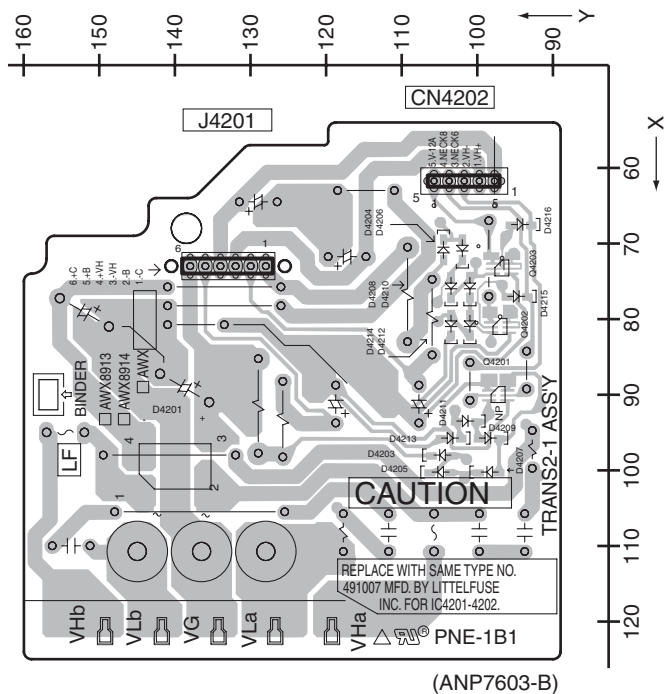


SIDE B

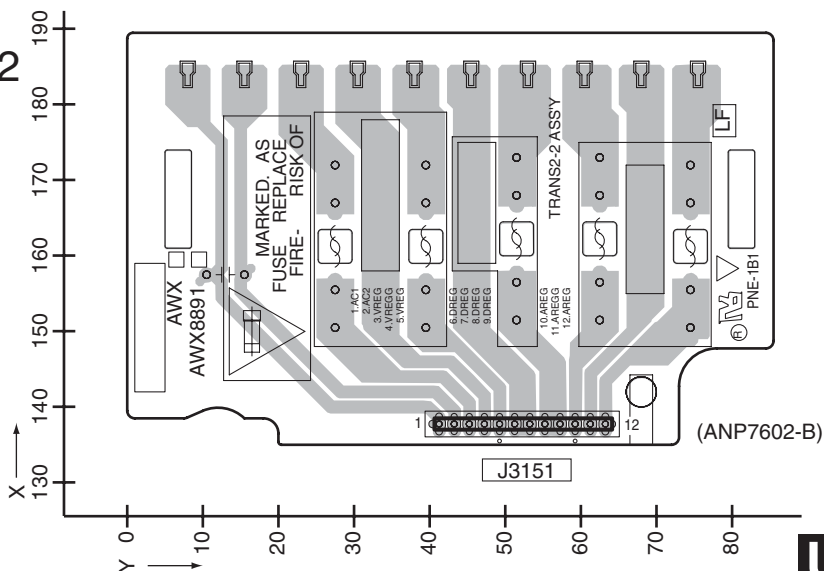
V VH TR ASSY



U TRANS2-1 ASSY



Y TRANS2-2 ASSY



U V W Y

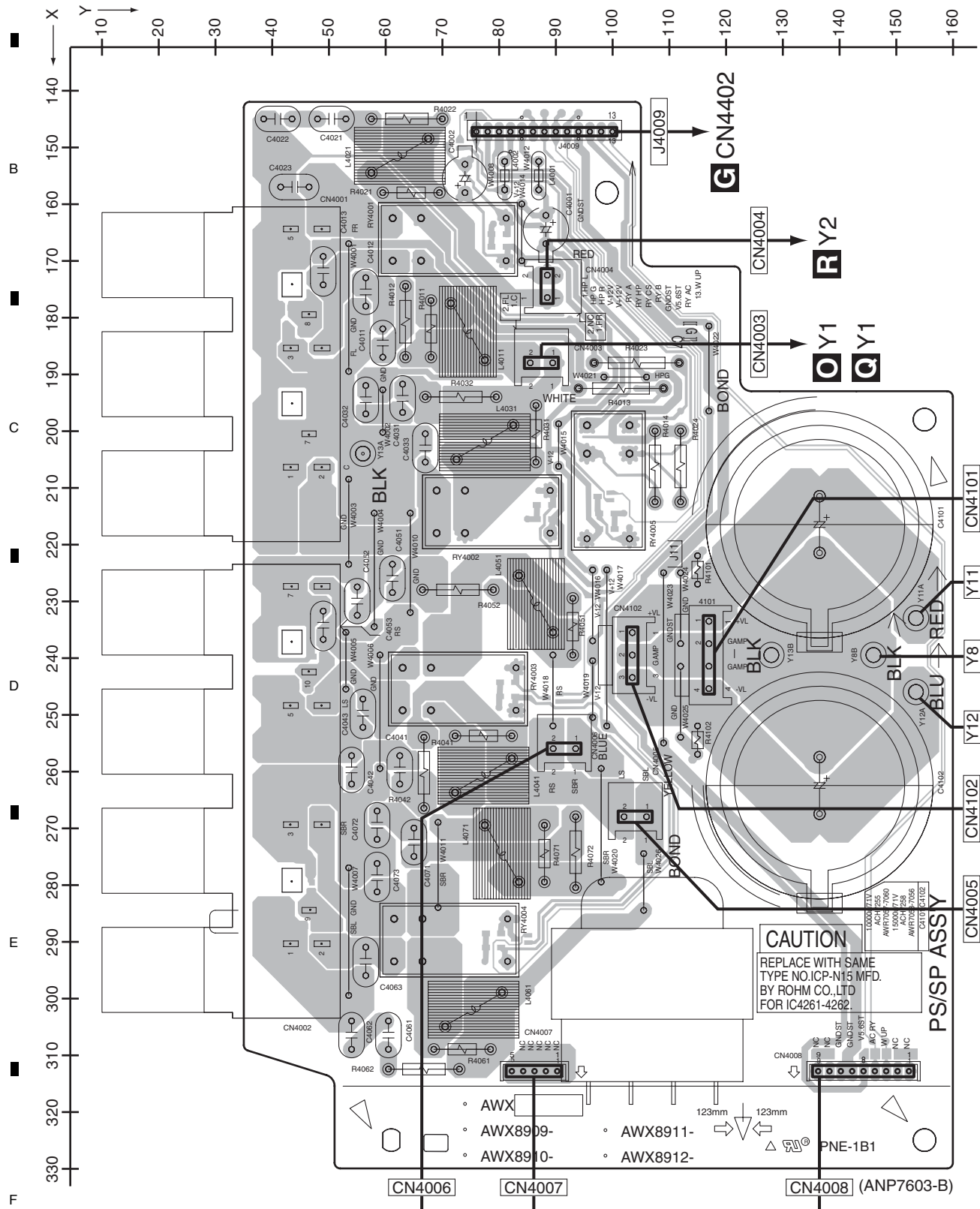
U V W Y

11.17 SP/PS ASSY

SIDE A

SIDE A

X SP/PS ASSY



X

R Y4 **AA** CN3063

AA CN3062

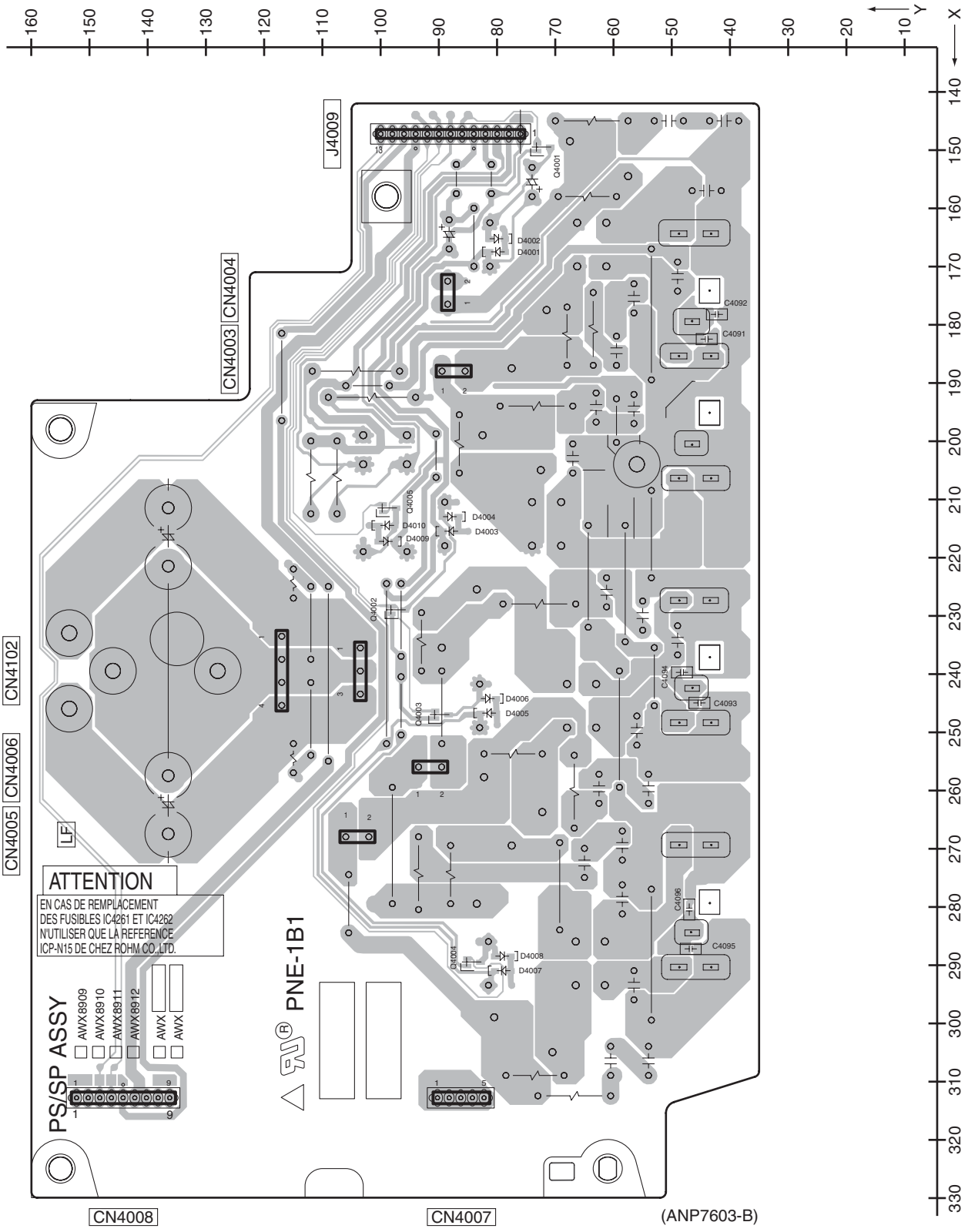
X

VSX-LX70

SIDE B

SIDE B

X SP/PS ASSY



ATTENTION
 EN CAS DE REMPLACEMENT
 DES FUSIBLES IC4261 ET IC4262
 N'UTILISER QUE LA REFERENCE
 ICP-N15 DE CHEZ ROHM CO., LTD.

- PS/SP ASSY**
- AWX8909
 - AWX8910
 - AWX8911
 - AWX8912
 - AWX
 - AWX

PNE-1B1

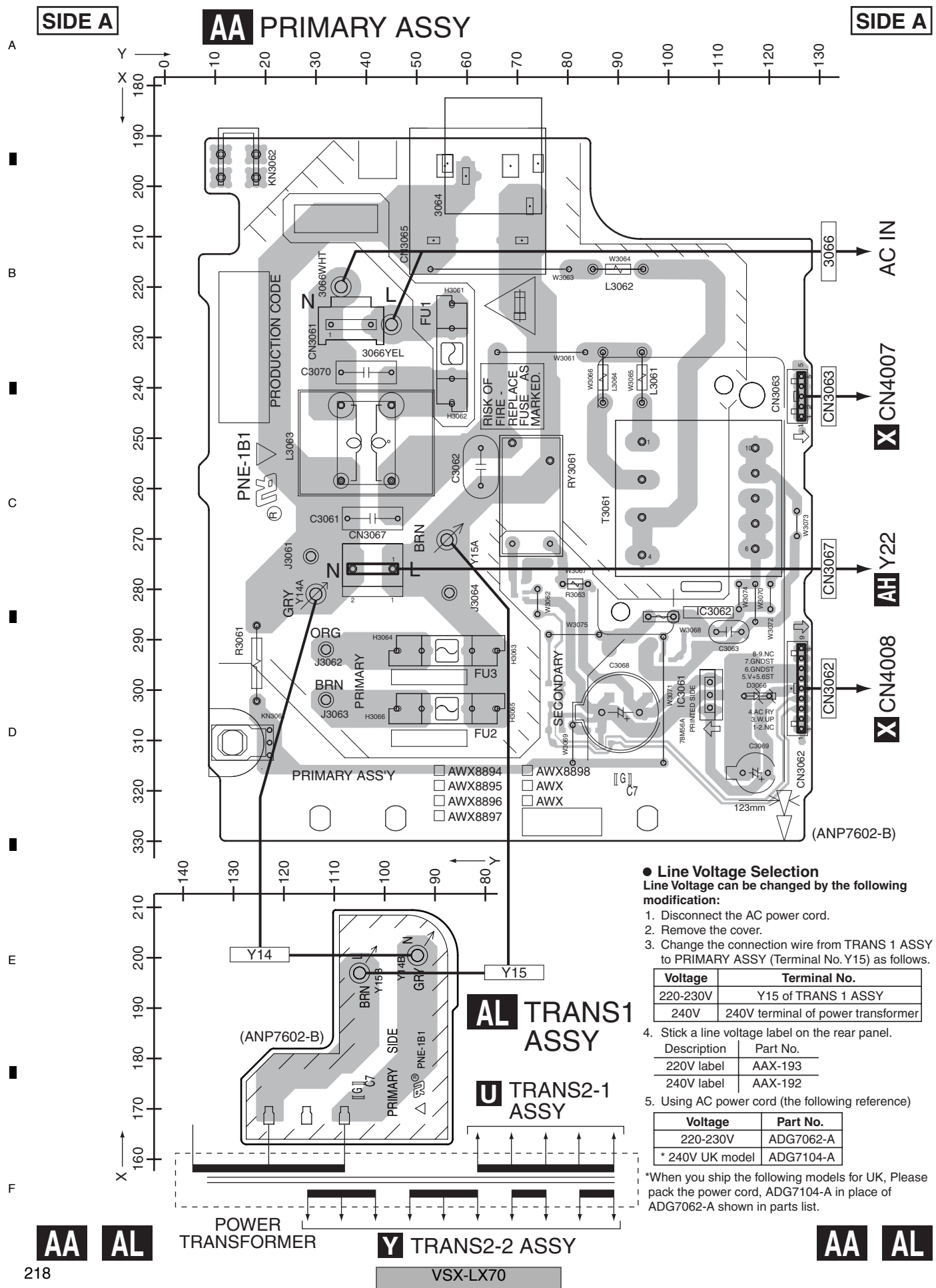
CN4008 CN4007 (ANP7603-B)

X

X

VSX-LX70

11.18 TRANS1 and PRIMARY ASSYS



Line Voltage Selection

Line Voltage can be changed by the following modification:

1. Disconnect the AC power cord.
2. Remove the cover.
3. Change the connection wire from TRANS 1 ASSY to PRIMARY ASSY (Terminal No. Y15) as follows.

Voltage	Terminal No.
220-230V	Y15 of TRANS 1 ASSY
240V	240V terminal of power transformer

4. Stick a line voltage label on the rear panel.

Description	Part No.
220V label	AAX-193
240V label	AAX-192

5. Using AC power cord (the following reference)

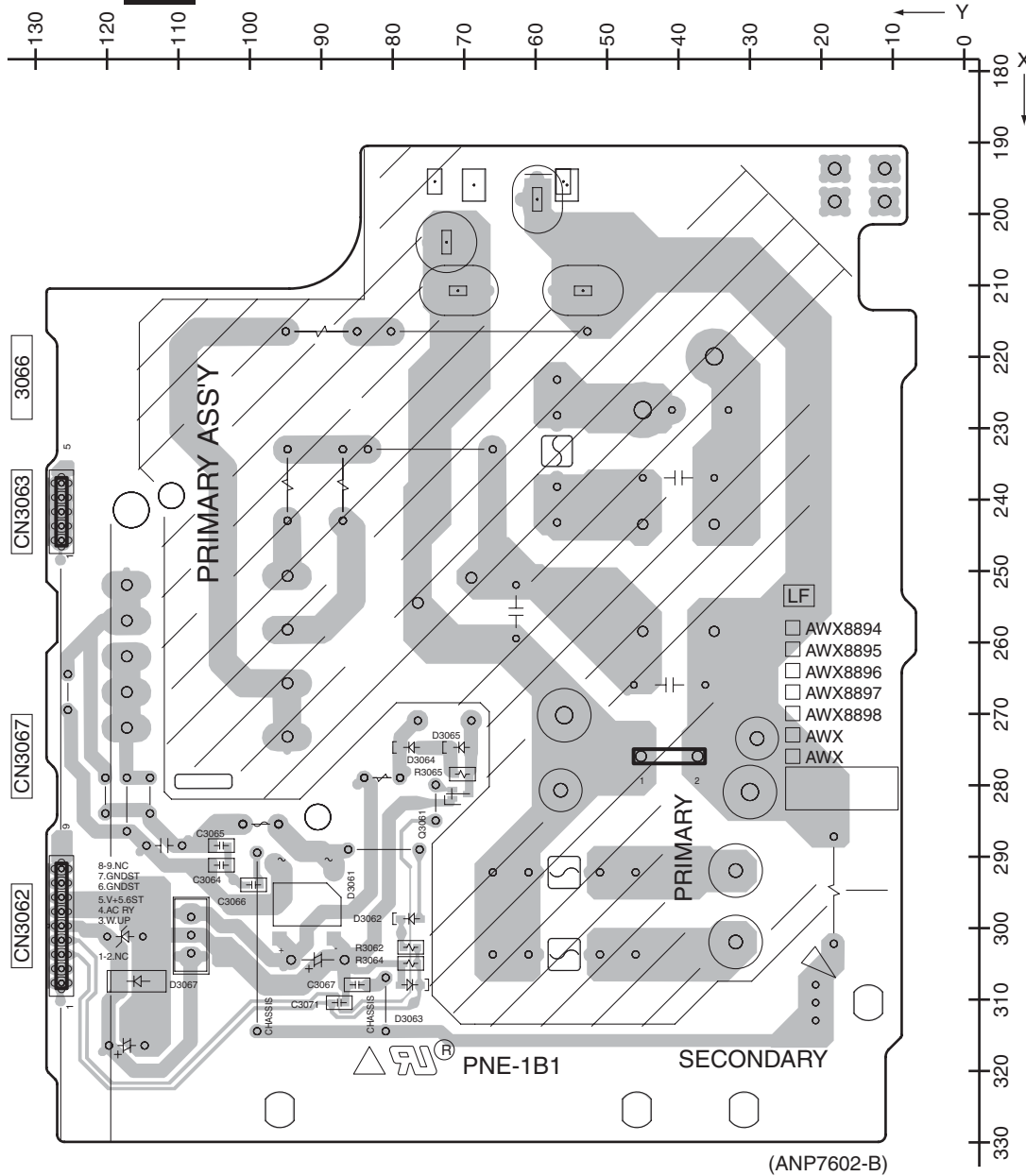
Voltage	Part No.
220-230V	ADG7062-A
* 240V UK model	ADG7104-A

*When you ship the following models for UK, Please pack the power cord, ADG7104-A in place of ADG7062-A shown in parts list.

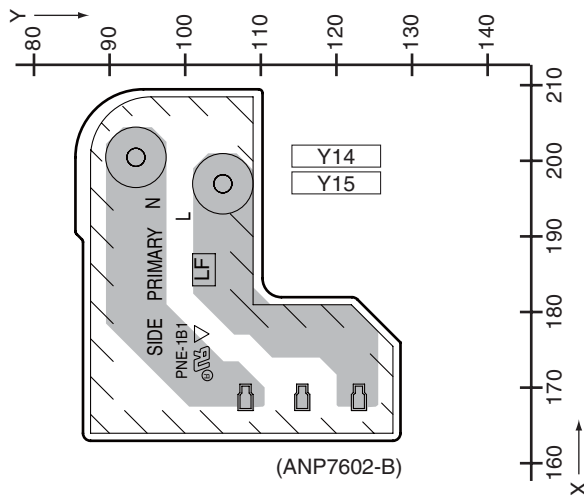
SIDE B

AA PRIMARY ASSY

SIDE B



AL TRANS1 ASSY

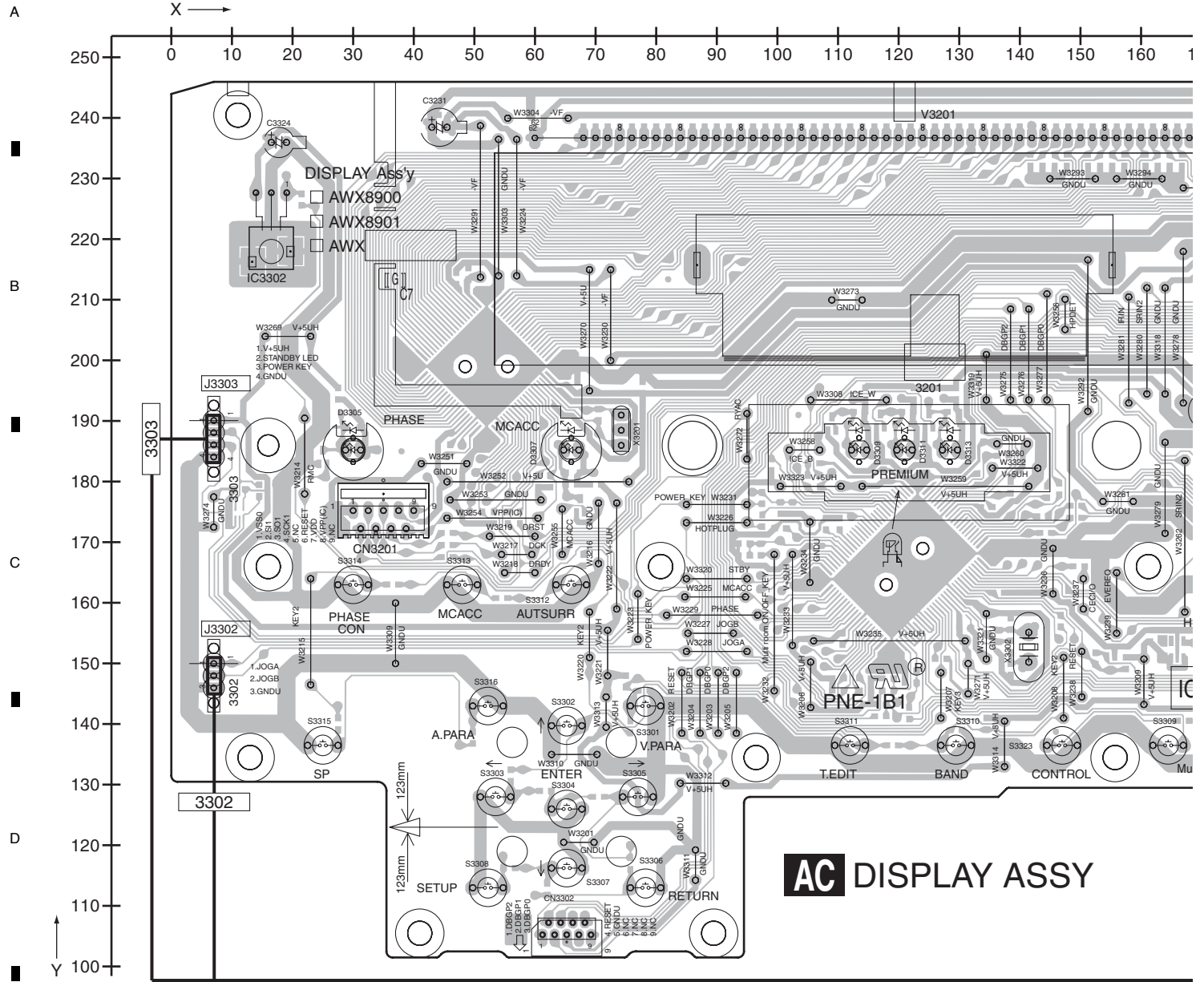


AA AL

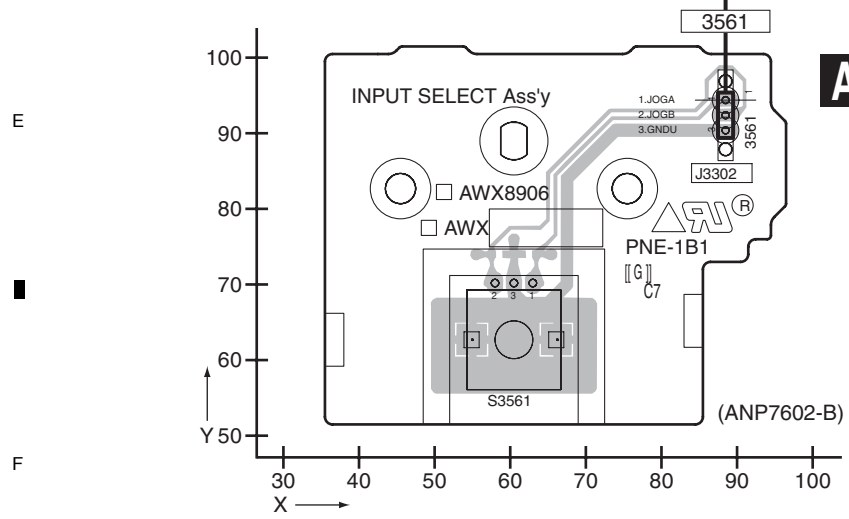
AA AL

11.19 POWER SW, VOLUME, DISPLAY and INPUT SELECT ASSYS

SIDE A



AC DISPLAY ASSY

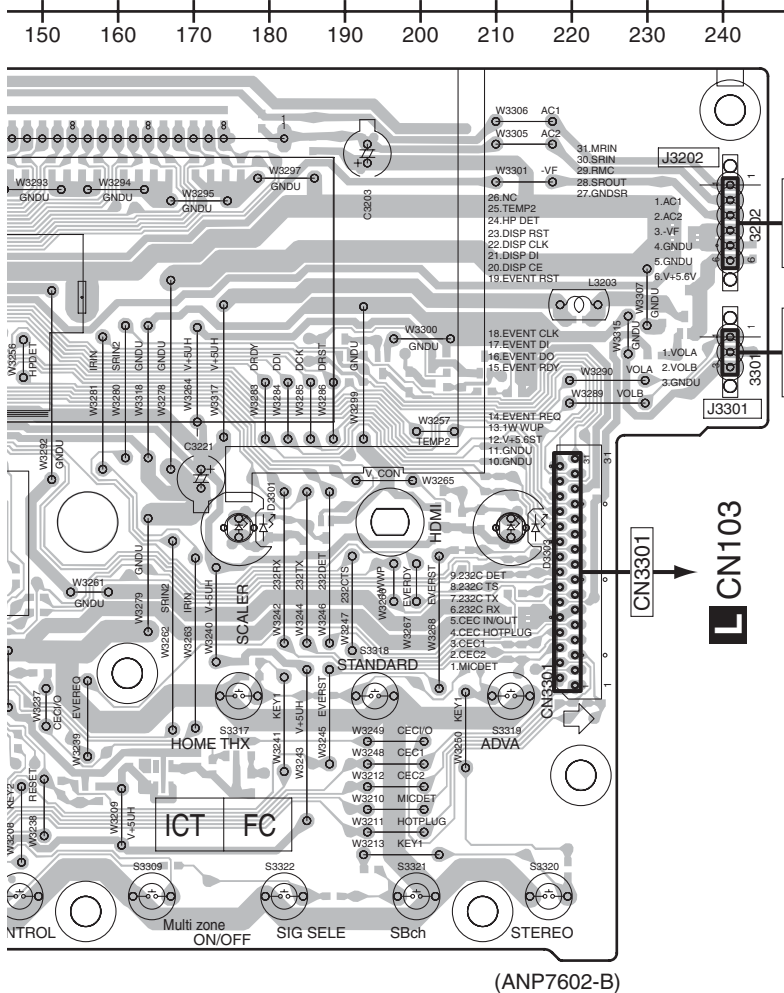


AD INPUT SELECT ASSY

AC AD

SIDE A

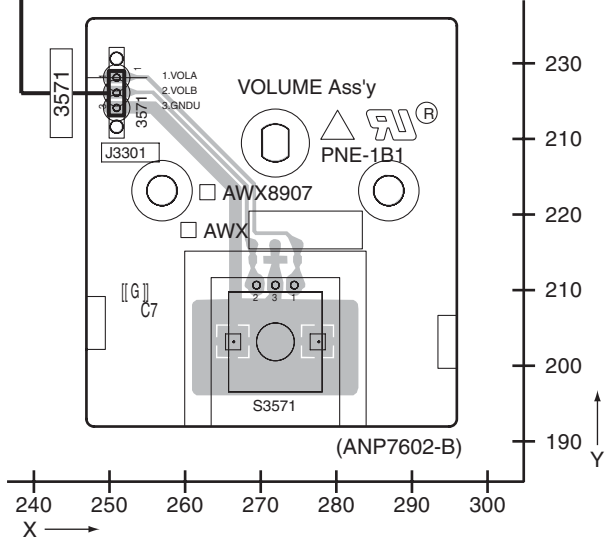
A



S CN6103

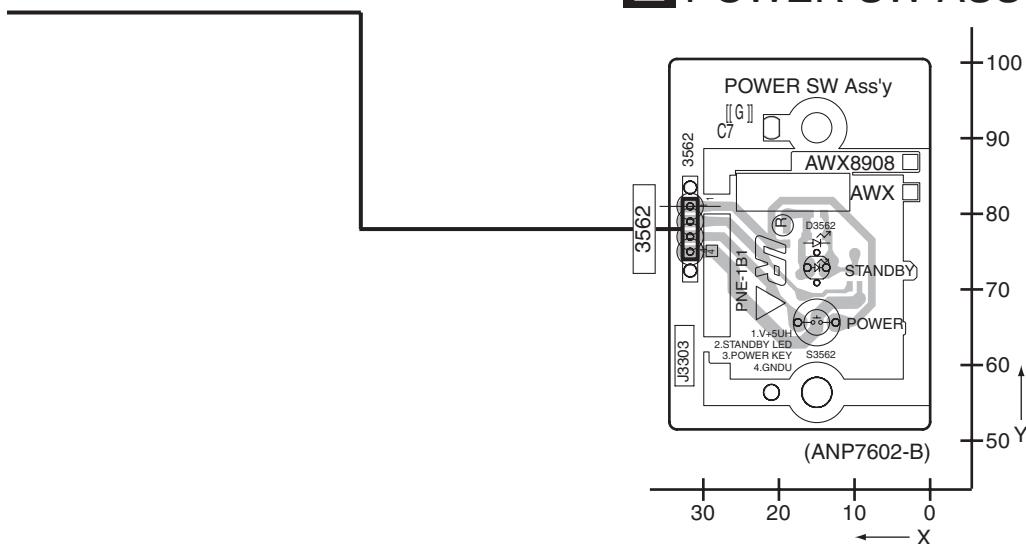
L CN103

AB VOLUME ASSY



SY

Z POWER SW ASSY

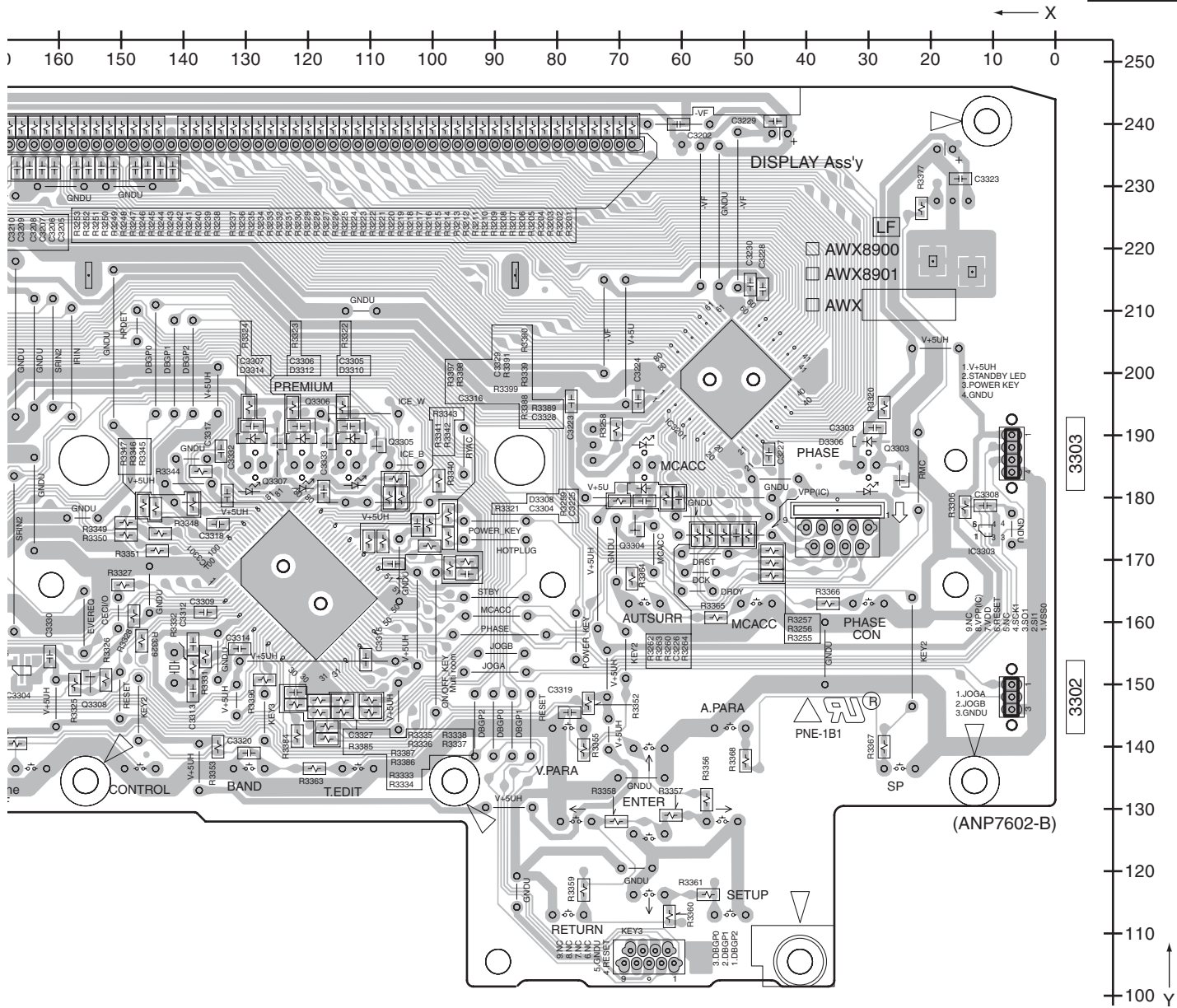


Z AB AC

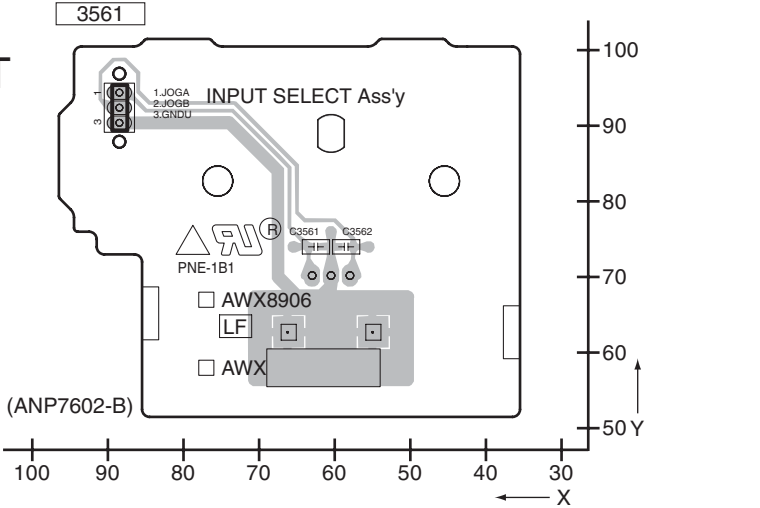
VSX-LX70

F

SIDE B



AD INPUT SELECT ASSY



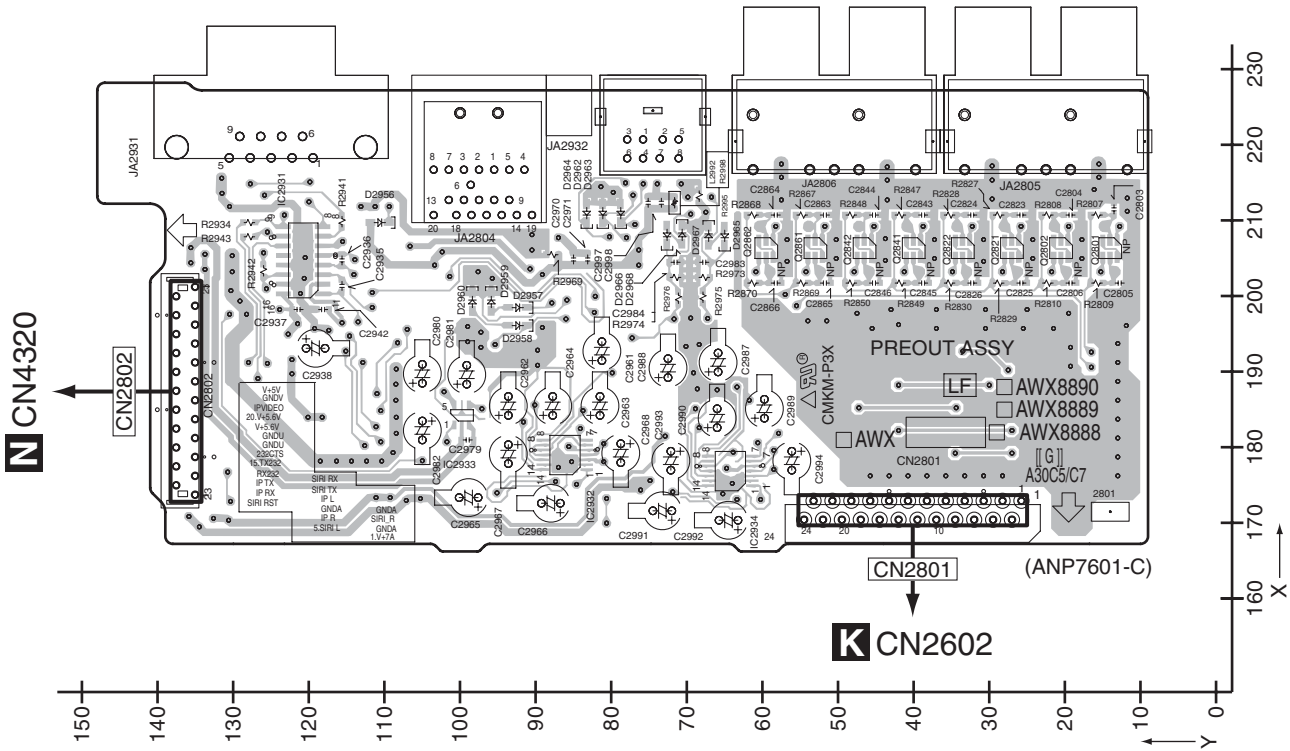
AC AD

11.20 PREOUT & CONTROL ASSY

SIDE A

SIDE A

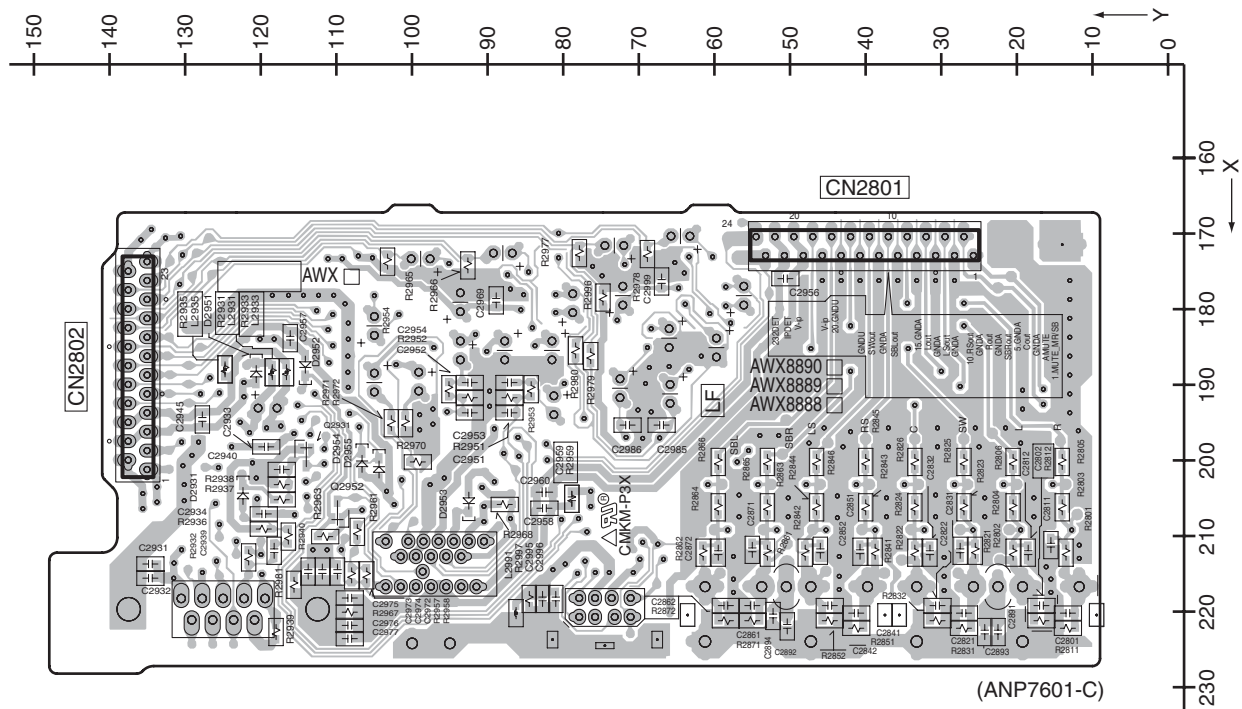
AE PREOUT & CONTROL ASSY



SIDE B

SIDE B

AE PREOUT & CONTROL ASSY



AE

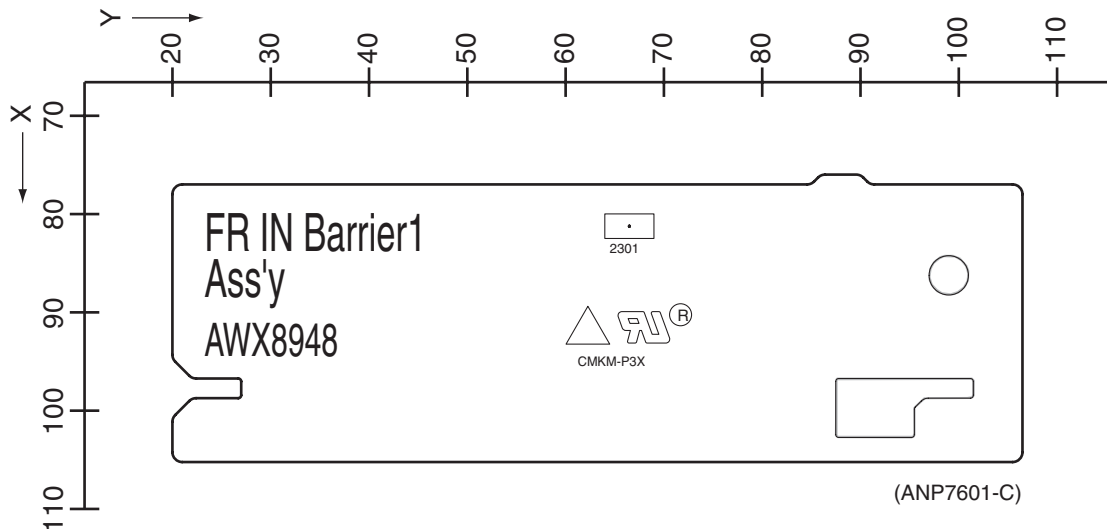
AE

5 6 7 8
11.21 FR BARRIER 1 ASSY

SIDE A

SIDE A

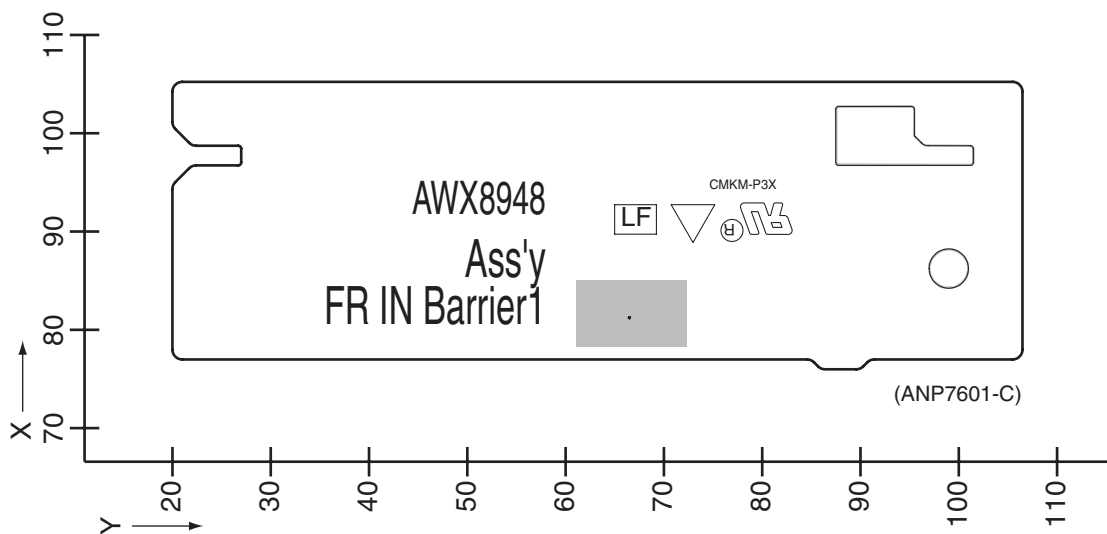
AF FR IN BARRIER 1 ASSY



SIDE B

SIDE B

AF FR IN BARRIER 1 ASSY



AF

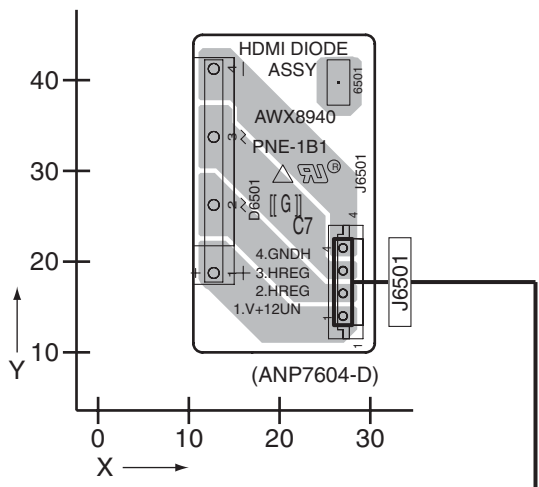
AF

11.22 HDMI POWER, HDMI TRANS and HDMI DIODE ASSYS

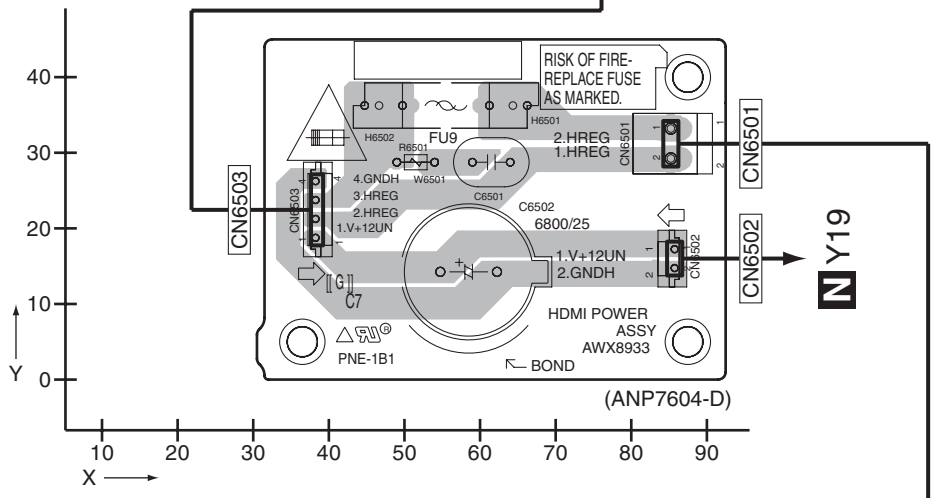
SIDE A

SIDE A

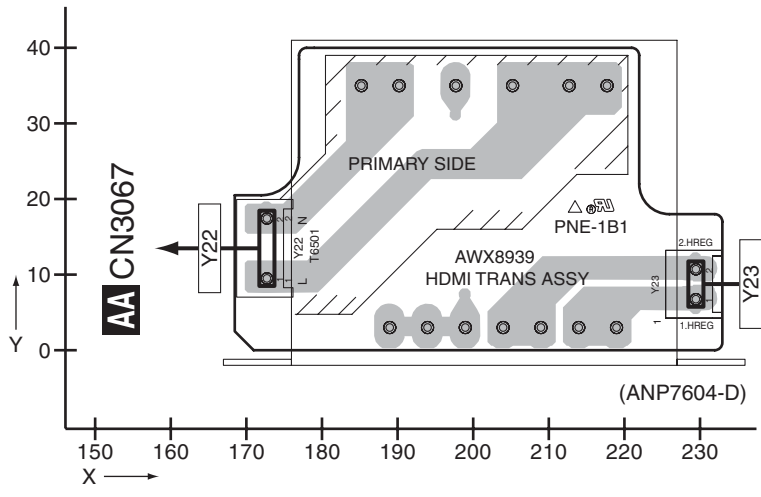
AI HDMI DIODE ASSY



AG HDMI POWER ASSY



AH HDMI TRANS ASSY



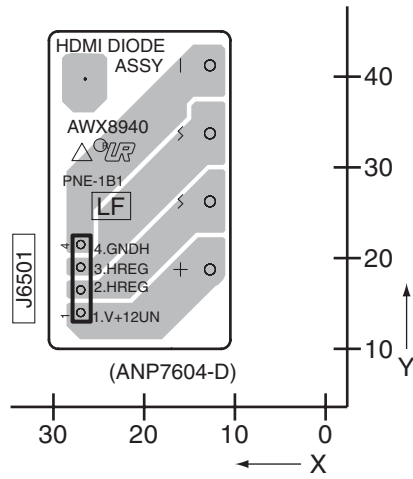
AG AH AI

AG AH AI

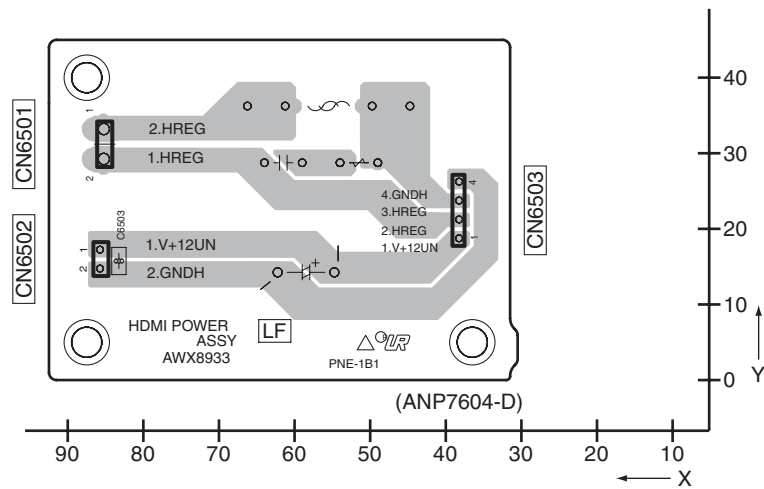
SIDE B

SIDE B

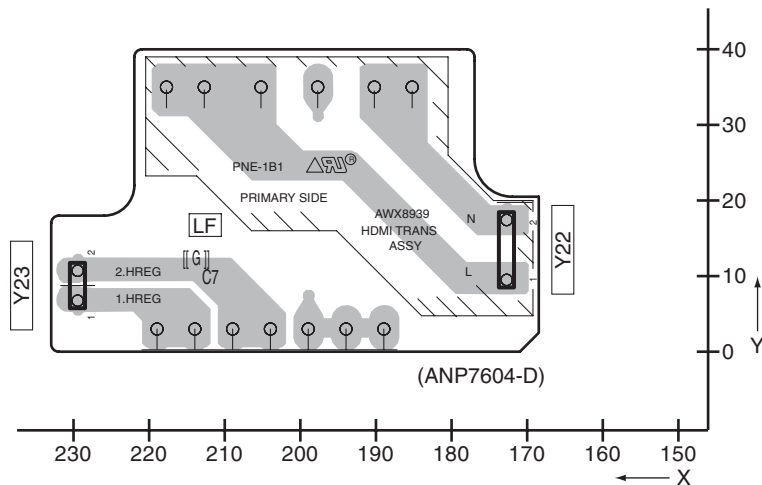
AI HDMI DIODE ASSY



AG HDMI POWER ASSY



AH HDMI TRANS ASSY



AG AH AI

AG AH AI

11.23 HDMI & DLNA ASSY (VSX-LX70)

SIDE A

AJ HDMI & DLNA ASSY

L CN204

A
B
C
D
E
F

IC Q
Q1101 Q1201
Q1281
IC1201
IC1255 IC1205
IC151
IC504 IC503
Q1104
IC1257 IC1206
IC1101 IC1301
IC501
Q591
Q1202
IC1252
IC101
Q1151
Q1251
IC1254
IC601
Q1252
IC202
Q1001 Q1002
IC1151
IC204
IC251
IC1001
Q681 Q671 Q661
Q651 Q641 Q631
IC402
IC1041
IC301
Q353

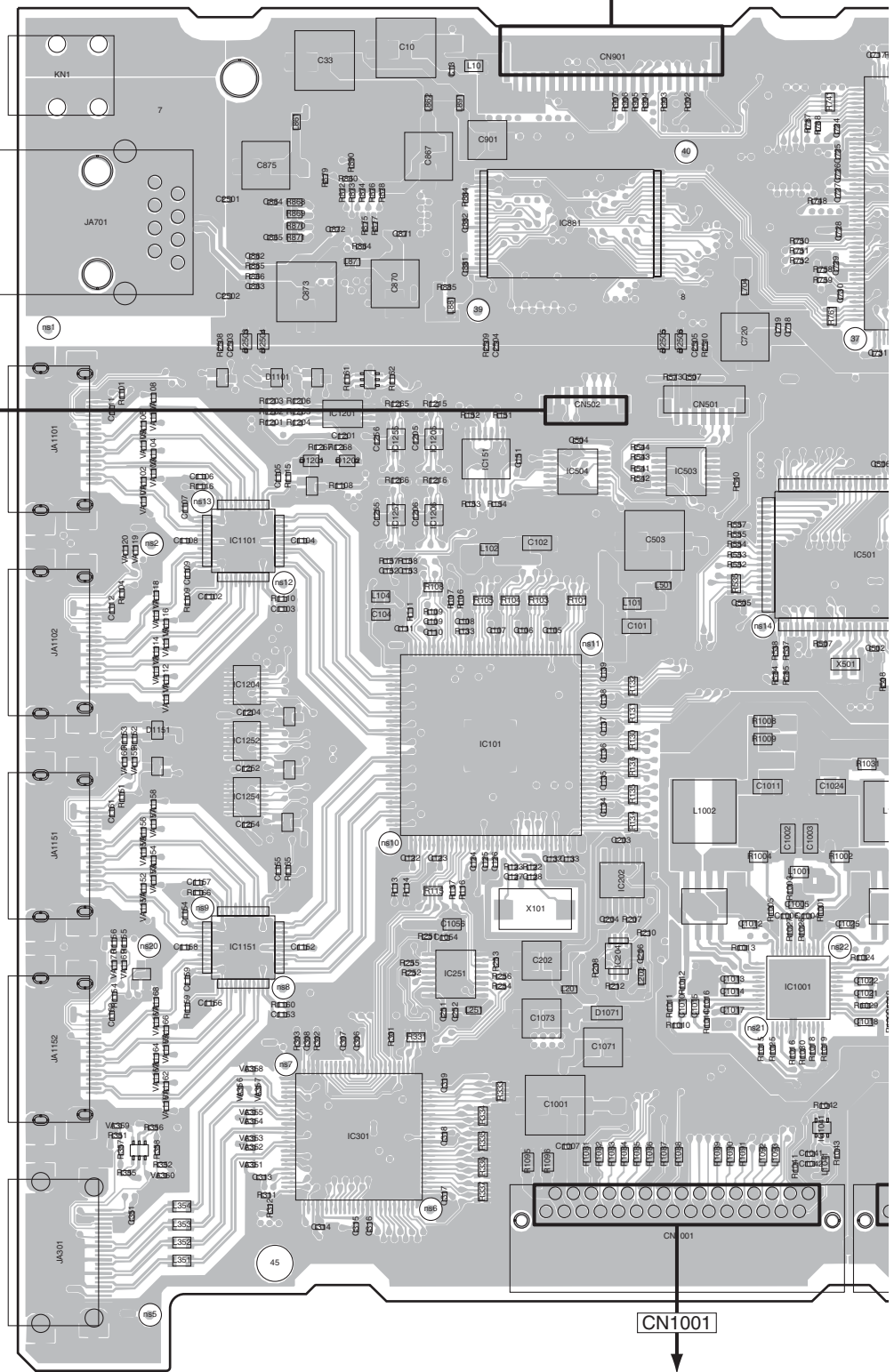
K CN2703

CN502

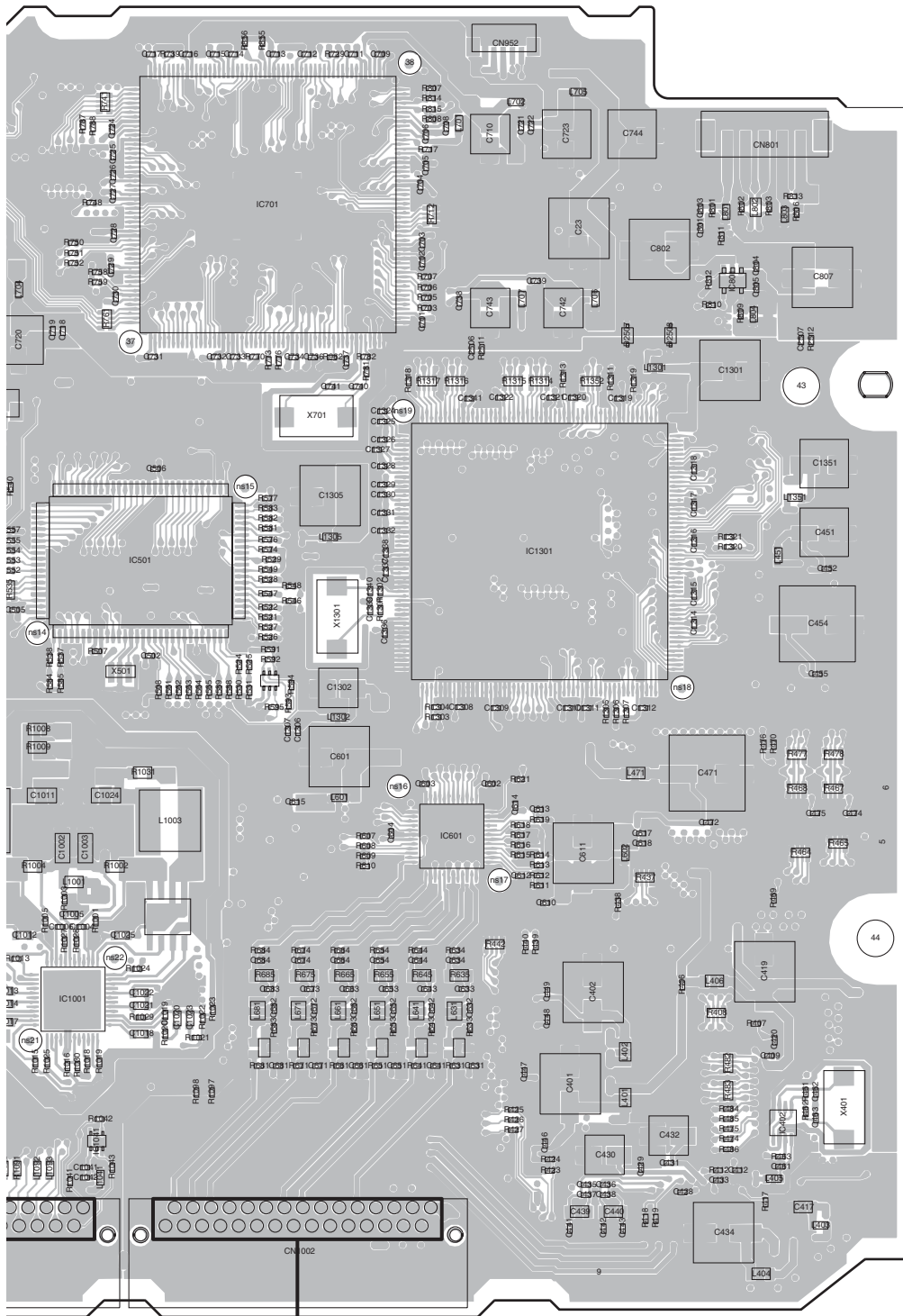
CN901

CN1001

N CN4309



A
B
C
D
E
F



(ANP7620-A)

CN1002

N CN4308

9

SIDE B

AJ HDMI & DLNA ASSY

A

B

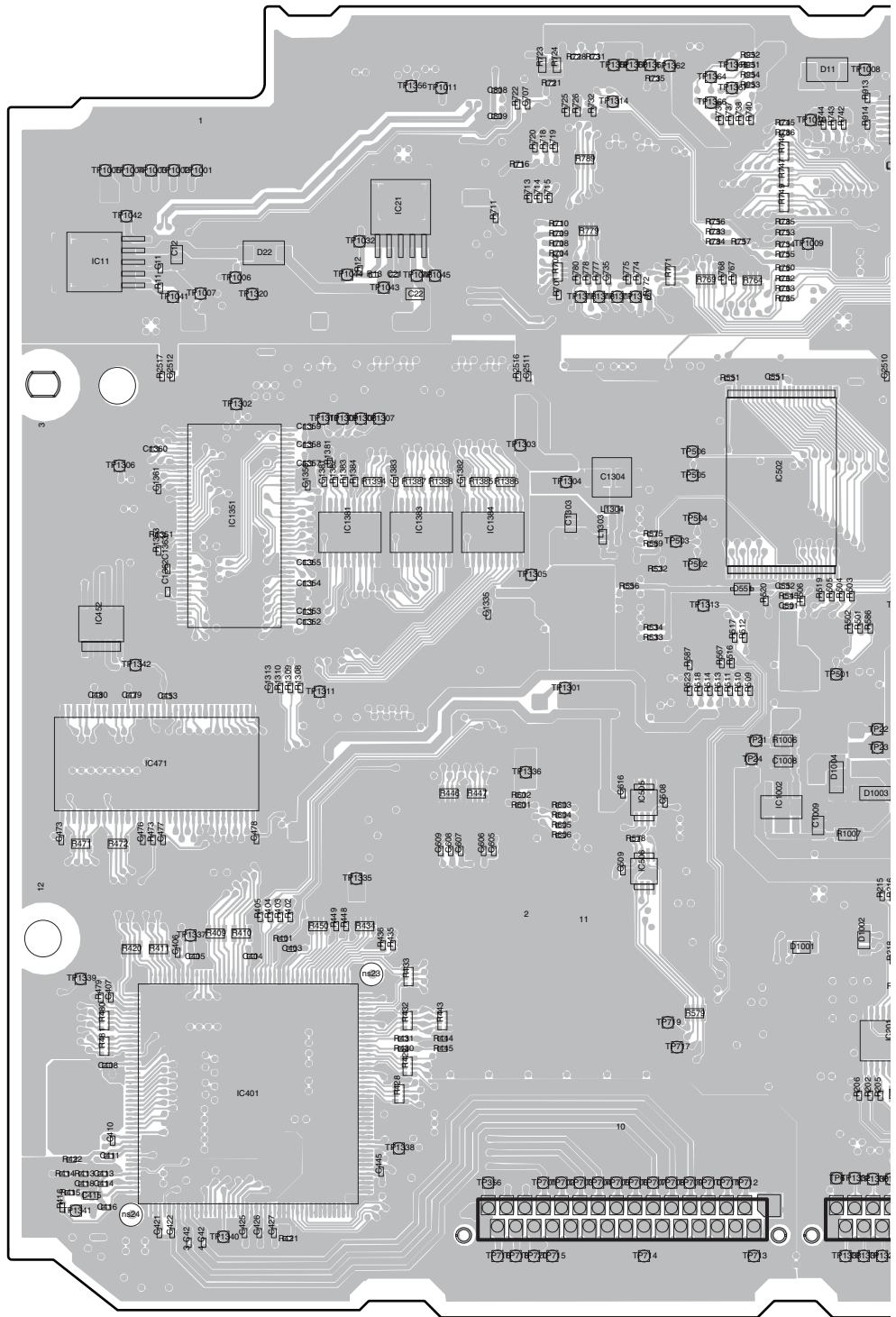
C

D

E

F

- IC Q
- IC31
- IC921
- IC911
- IC21
- IC891
- IC861
- IC11
- IC1202
- Q151 Q1203 Q1253
- Q1103
- IC502
- Q152
- IC1351
- IC1384
- IC1381
- IC452
- Q1102
- IC1203
- IC1251
- IC471
- IC505
- IC1002
- IC1253
- Q1153
- IC506
- Q1154
- IC203
- IC206
- IC205
- Q201
- IC1051
- Q1052
- IC201
- Q1051
- IC1071
- Q301
- IC401
- Q351
- Q352



CN1002

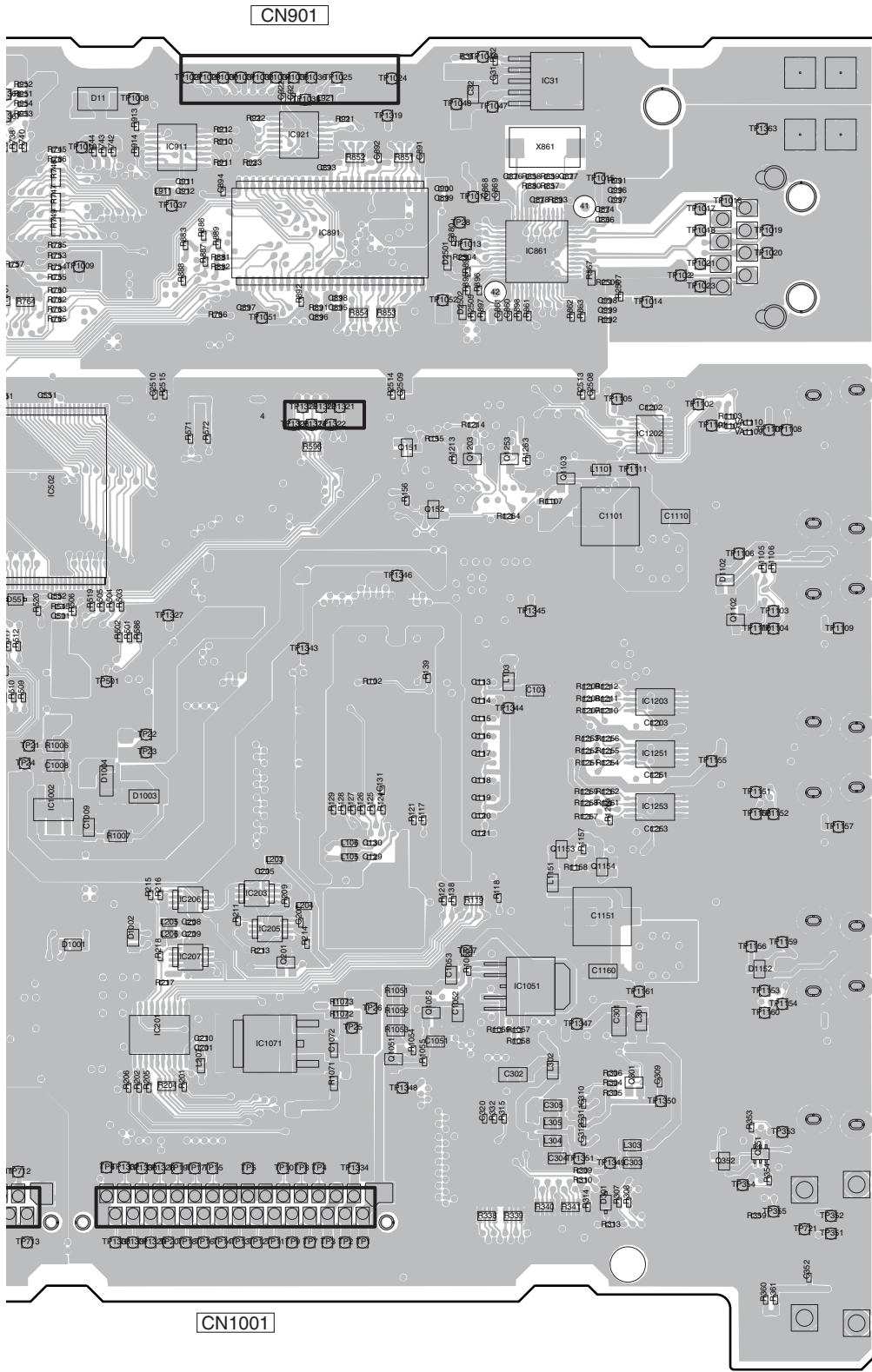
AJ

230

VSX-LX70

SIDE B

A
B
C
D
E
F



(ANP7620-A)

VSX-LX70

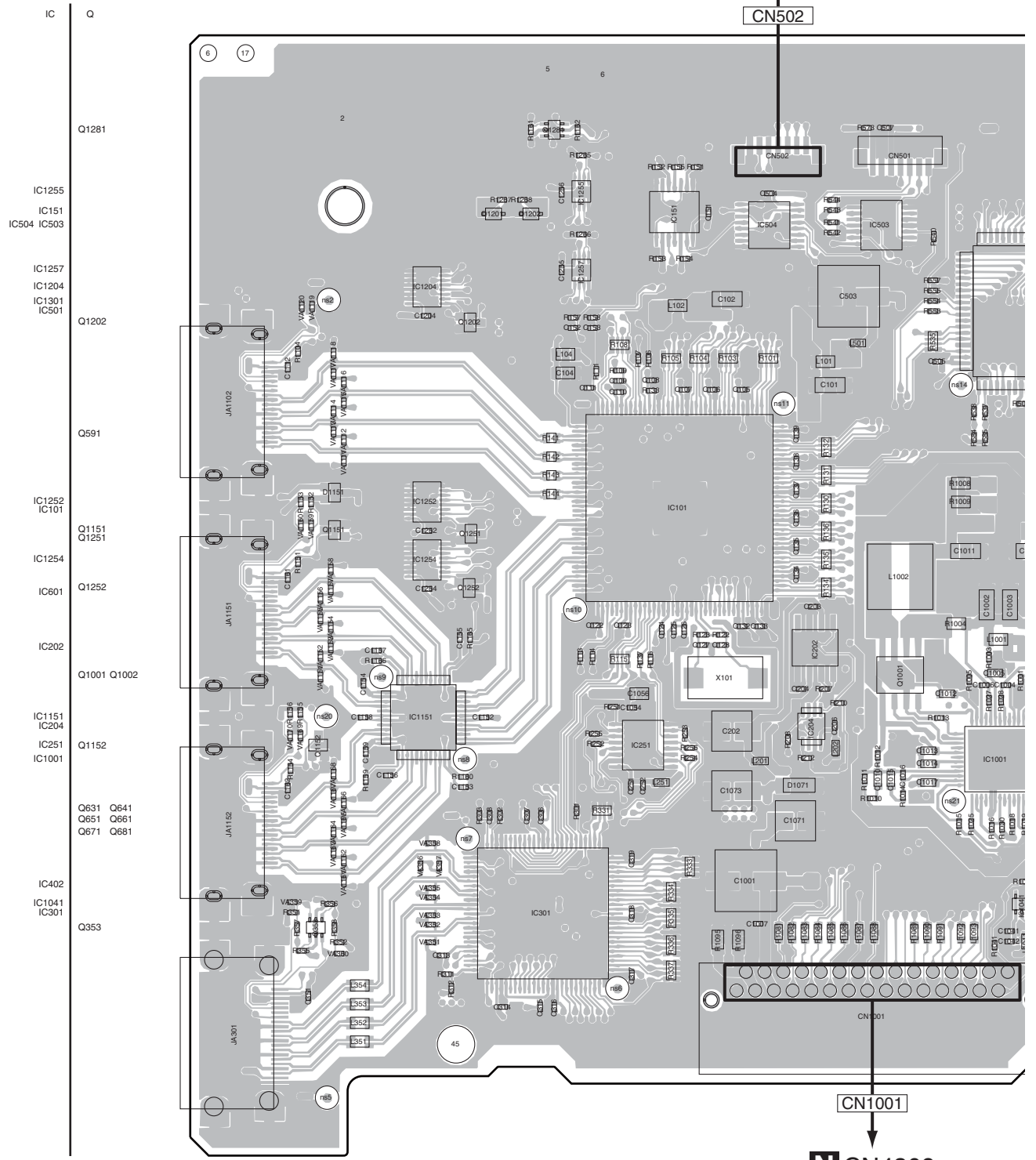
AJ

11.24 HDMI & DVC ASSY (VSX-LX60)

SIDE A

AK HDMI & DVC ASSY

K CN2703



A
B
C
D
E
F

AK

SIDE A

A

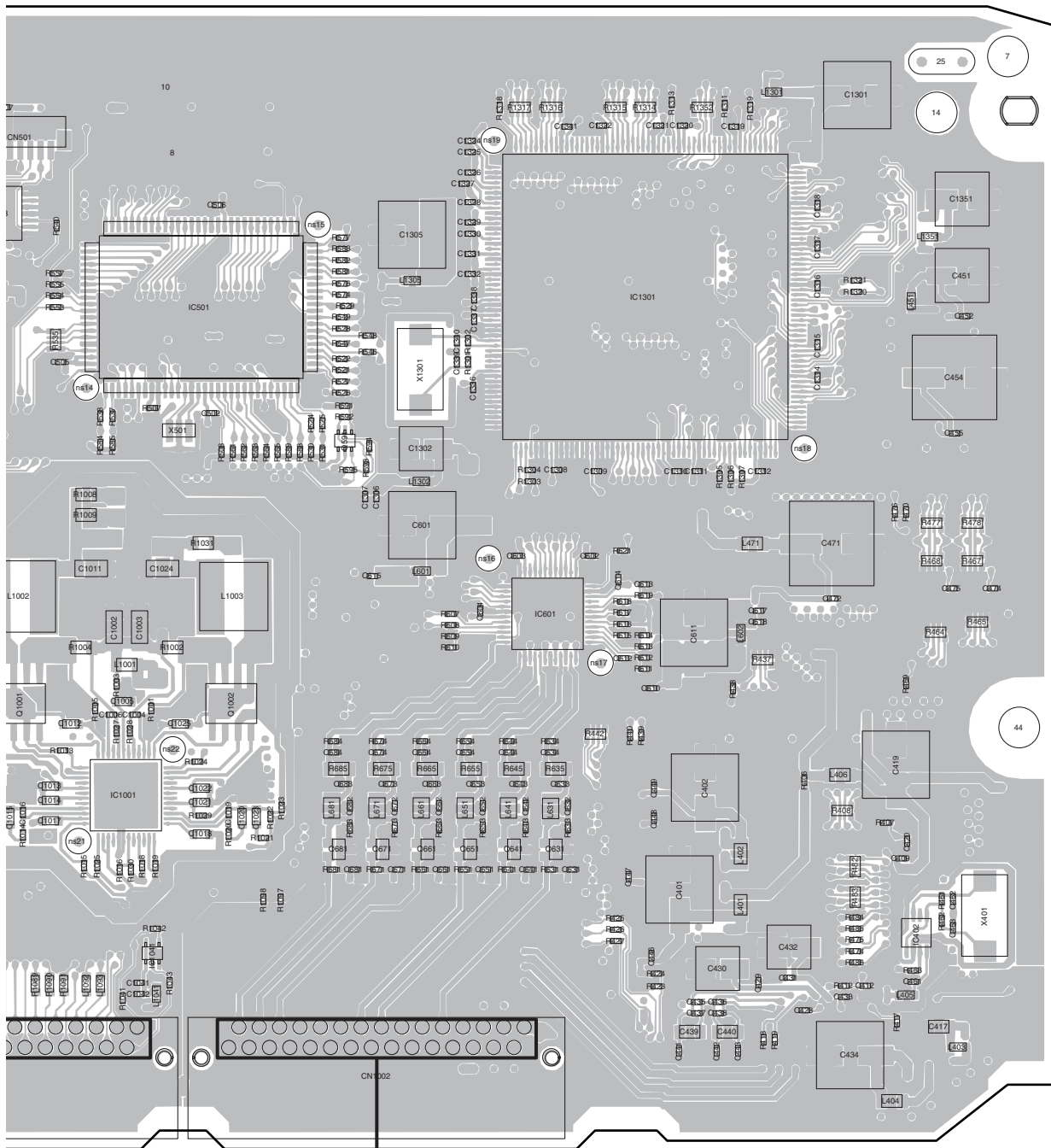
B

C

D

E

F



01

CN1002

(ANP7621-A)

I309

N CN4308

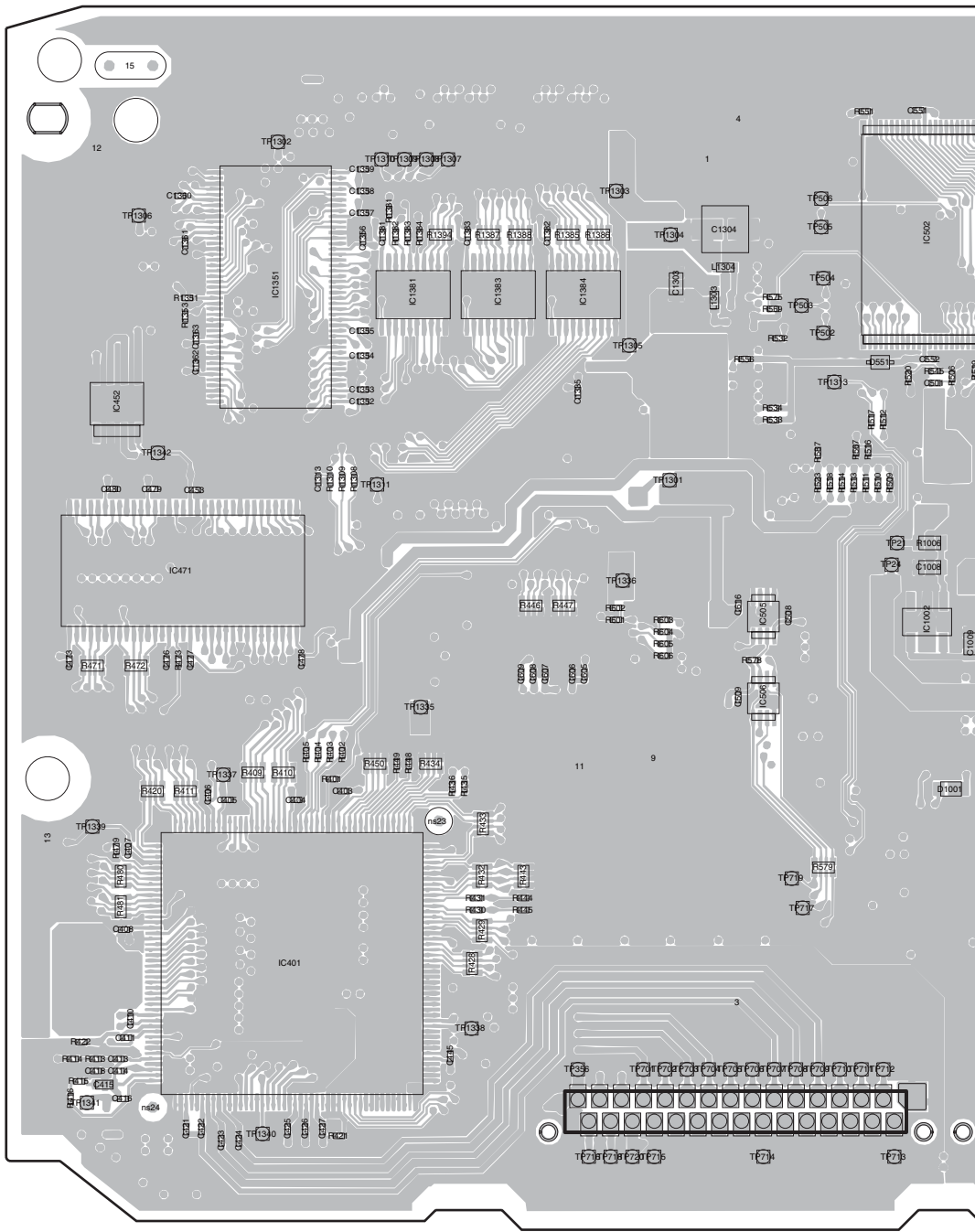
VSX-LX70



SIDE B

AK HDMI & DVC ASSY

IC	Q
	Q1253
IC502	Q152
IC1351 IC1381 IC1383 IC1384 IC1203	
	Q1102
IC452	
IC1251 IC471	
IC505 IC1253 IC1002	
	Q1153
IC506	Q1154
IC203 IC206	
IC205	
IC207	Q201
IC1051	
	Q1052
IC201 IC1071	
	Q1051
IC401	Q301
	Q351
	Q352



CN1002

AK

SIDE B

A

B

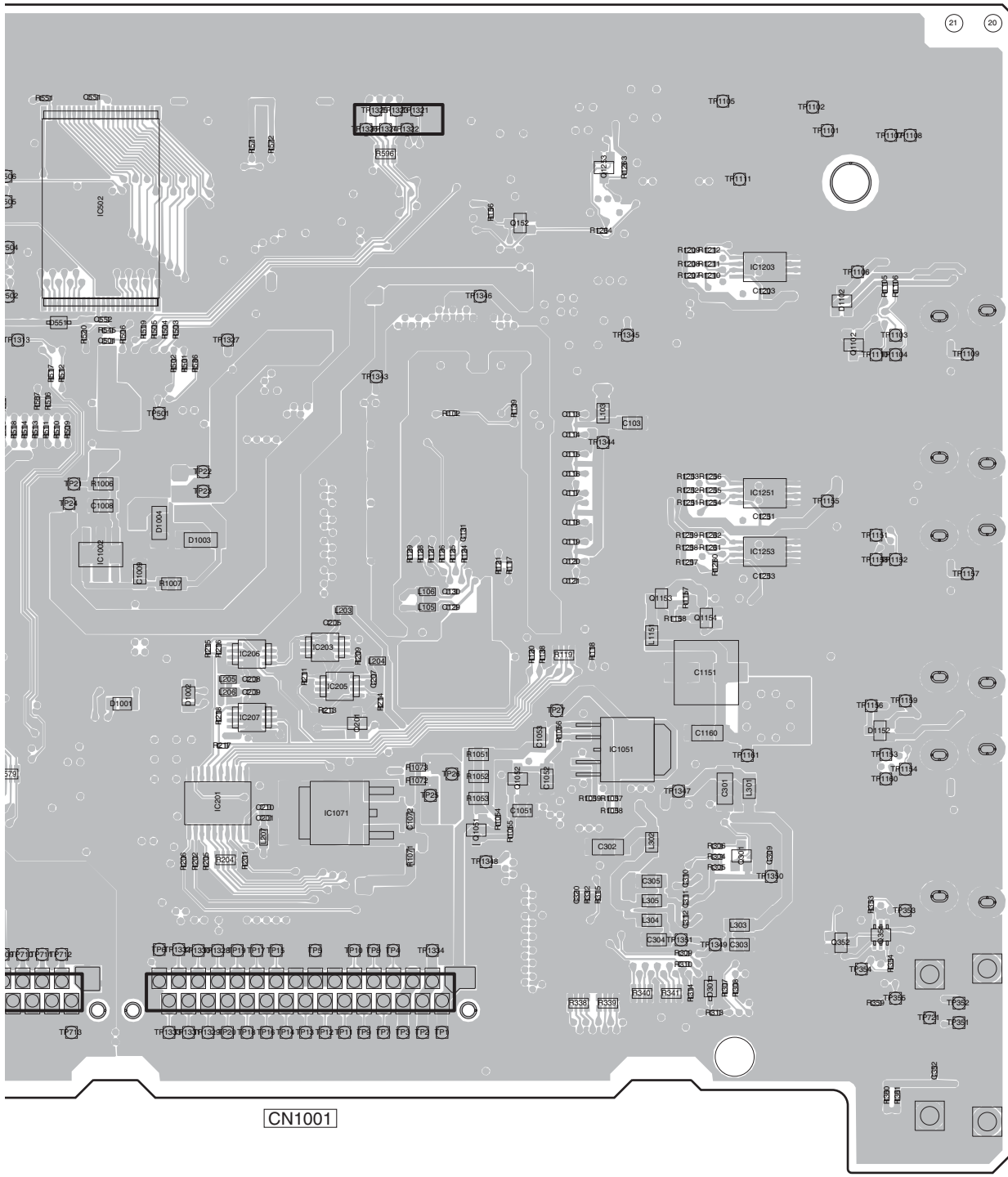
C

D

E

F

CN502



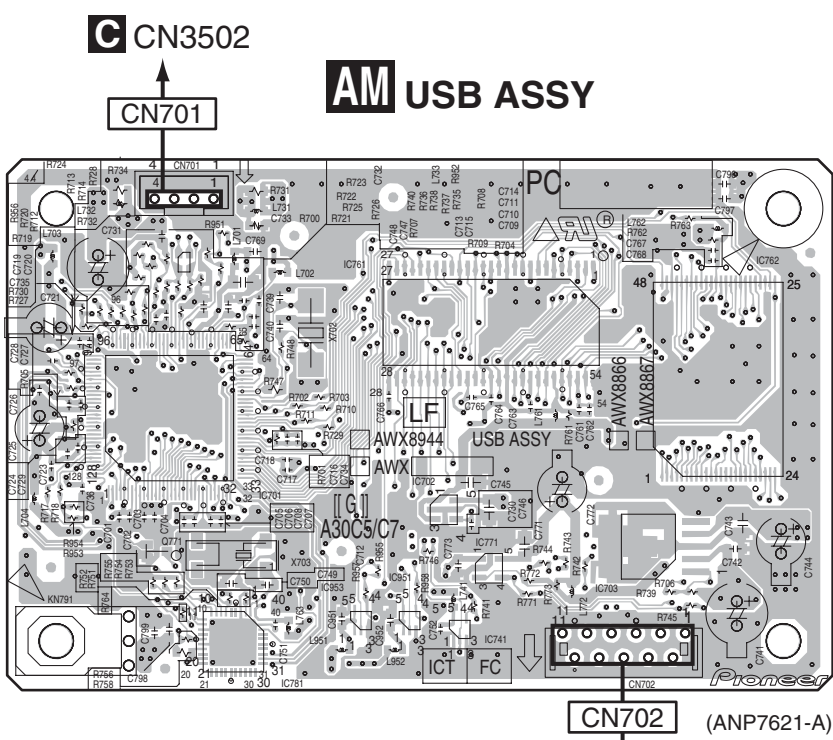
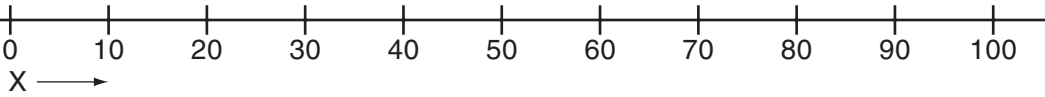
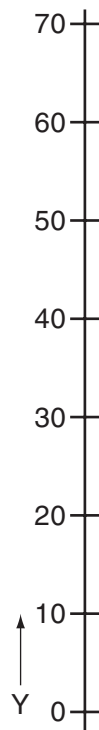
(ANP7621-A)

11.25 USB ASSY (VSX-LX60)

SIDE A

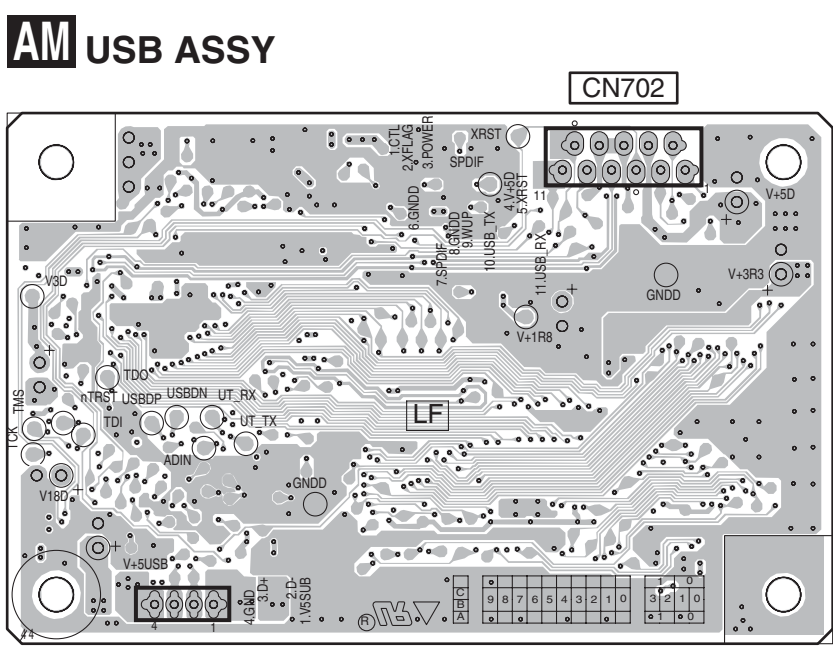
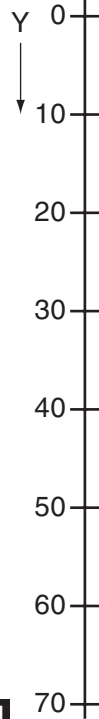
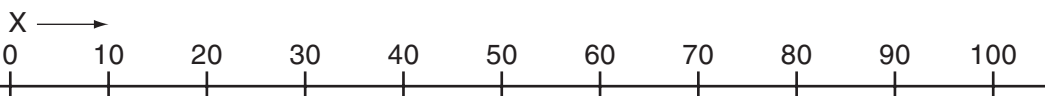
SIDE A

A
B
C
D
E
F



SIDE B

SIDE B



12. PCB PARTS LIST

- NOTES: ● Parts marked by "NSP" are generally unavailable because they are not in our Master Spare Parts List.
 ● The Δ mark found on some component parts indicates the importance of the safety factor of the part. Therefore, when replacing, be sure to use parts of identical designation.
 ● When ordering resistors, first convert resistance values into code form as shown in the following examples.
 Ex.1 When there are 2 effective digits (any digit apart from 0), such as 560 ohm and 47k ohm (tolerance is shown by J=5%, and K=10%).

560 Ω \rightarrow 56 x 10¹ \rightarrow 561 RD1/4PU 561 J
 47k Ω \rightarrow 47 x 10³ \rightarrow 473 RD1/4PU 473 J
 0.5 Ω \rightarrow R50 RN2H R50 K
 1 Ω \rightarrow 1R0 RS1P 1R0 K

Ex.2 When there are 3 effective digits (such as in high precision metal film resistors).
 5.62k Ω \rightarrow 562 x 10¹ \rightarrow 5621 RN1/4PC 5621 F

- Meaning of the figures and others in the parentheses in the parts list.
 Example) IC 301 is on the point (face A, 91 of x-axis, and 111 of y-axis) of the corresponding PC board.
 IC 301 (A, 91, 111) IC NJM2068V

LIST OF ASSEMBLIES

Mark	Symbol and Description	VSX-LX70/ HYXJ5	VSX-LX60/ HYXJ5
NSP	1..POWER AMP ASSY	AWH7012	AWH7012
	2..POWER AMP-L ASSY	AWX8655	AWX8655
	2..POWER AMP-R ASSY	AWX8657	AWX8657
	2..POWER PROTECT ASSY	AWX8659	AWX8659
	2..POWER AMP IN ASSY	AWX8662	AWX8662
NSP	1..COMPLEX ASSY	AWM8082	AWM8087
	2..TRANS 2-2 ASSY	AWX8891	AWX8891
NSP	2..PRIMARY ASSY	AWX8895	AWX8895
	2..FFC GUARD (FRONT) ASSY	AWX8899	AWX8899
	2..DISPLAY ASSY	AWX8900	AWX8900
	2..FRONT-IN ASSY	AWX8902	AWX8904
	2..HEADPHONE ASSY	AWX8905	AWX8905
	2..INPUT SELECT ASSY	AWX8906	AWX8906
	2..VOLUME ASSY	AWX8907	AWX8907
	2..POWER SW ASSY	AWX8908	AWX8908
	1..DIGITAL MOTHER ASSY	AWP7047	AWP7053
NSP	1..VIDEO ASSY	AWQ7056	AWQ7056
	2..COMPOSITE V ASSY	AWX8972	AWX8972
	2..S VIDEO ASSY	AWX8973	AWX8973
NSP	2..PREOUT & CONTROL ASSY	AWX8889	AWX8889
	2..FR IN BARRIER1 ASSY	AWX8948	AWX8948
	1..COMPONENT & VOL ASSY	AWQ7042	AWQ7047
NSP	1..SECONDARY ASSY	AWR7054	AWR7058
	2..SP/PS ASSY	AWX8910	AWX8912
	2..TRANS 2-1 ASSY	AWX8914	AWX8914
NSP	2..DIODE ASSY	AWX8915	AWX8915
	2..VH TR ASSY	AWX8916	AWX8916
	2..DC/DC ASSY	AWX8917	AWX8918
NSP	2..INTERFACE ASSY	AWX8949	AWX8941
	2..TRANS SIDE ASSY	AWX8921	AWX8921
NSP	1..AUDIO ASSY	AWR7062	AWR7065
	2..LOCAL SUPPLY ASSY	AWX8924	AWX8924
	2..AUDIO & MULTI CH IN ASSY	AWX8927	AWX8927
	2..V-AUDIO ASSY	AWX8931	AWX8931
NSP	2..HDMI POWER ASSY	AWX8933	AWX8933
NSP	2..BRIDGE 1 ASSY	AWX8934	AWX8934
NSP	2..BRIDGE 2 ASSY	AWX8935	AWX8935
NSP	2..BRIDGE 3 ASSY	AWX8936	AWX8936
NSP	2..FFC GUARD (SIDE) ASSY	AWX8937	AWX8938
	2..HDMI TRANS ASSY	AWX8939	AWX8939

Mark	Symbol and Description	VSX-LX70/ HYXJ5	VSX-LX60/ HYXJ5
A	2..HDMI DIODE ASSY	AWX8940	AWX8940
	1..DSP ASSY	AWX8869	AWX8869
	1..HDMI & DLNA ASSY	AWX8974	Not used
	1..HDMI & DVC ASSY	Not used	AWX8975
	1..USB ASSY	Not used	AWX8944
	1..FM/AM TUNER MODULE	AXX7248	AXX7248

CONTRAST OF PCB ASSEMBLIES

C FRONT-IN ASSY

AWX8902 and AWX8904 are constructed the same except for the following:

Mark	Symbol and Description	AWX8902	AWX8904
B	CN3502 4P Plug	Not used	KM200NA4
	CN3501 5P Plug	KM200NA5	Not used

K COMPONENT & VOL ASSY

AWQ7042 and AWQ7047 are constructed the same except for the following:

Mark	Symbol and Description	AWQ7042	AWQ7047
C	IC2631	TC4053BFN	Not used
	IC2635	TC4052BFN	Not used
	IC2633, IC2634	BA4560RF	Not used
	Q2630, Q2632, Q2633	RT1N241M	Not used
	C2631, C2632, C2641, C2642	CKSRBY103K50	Not used
	C2647, C2648, C2651, C2652	CKSRBY103K50	Not used
	C2639, C2640, C2643, C2644	CCSRCH220J50	Not used
	C2645, C2646	CEAT100M50	Not used
	R2641, R2642, R2653, R2654	RS1/16S472J	Not used
	R2643, R2644	RS1/16S101J	Not used
D	R2645, R2646, R2651, R2652	RS1/16S113J	Not used
	R2647, R2648	RS1/16S0R0J	Not used
	R2649, R2650	RS1/16S153J	Not used
	R2655, R2656	RS1/16S474J	Not used
	R2659-R2662	Not used	RS1/16S0R0J
	R2690-R2692	RS1/16S473J	Not used

L DIGITAL MOTHER ASSY

AWP7047 and AWP7053 are constructed the same except for the following:

Mark	Symbol and Description	AWP7047	AWP7053
E	IC101	PEG395A8	PEG427A8
	IC315	TC74LCX541FTS1-TBB	Not used
	L315	QTL1013	Not used
	C307	CKSRBY104K16	Not used
	C346	CKSSYB104K10	Not used
	R152, R155	RS1/16S473J	Not used
	R154	Not used	RS1/16S473J
	R250	RS1/16S104J	Not used
	R313, R555, R655, R755	RS1/16SS101J	Not used
	R400, R433-R436	RS1/16SS470J	Not used
F	R556, R557, R656, R657, R756, R757	RS1/16SS0R0J	Not used
	R992	Not used	RS1/16S0R0J
	R993-R999	Not used	RS1/16SS0R0J
	R437	RAB4CQ470J	Not used
	CN204 (22P FFC Connector)	RKN1063	Not used
	JA207 (Optical Link Out)	AKS7002	Not used

N INTERFACE ASSY

AWX8949 and AWX8941 are constructed the same except for the following:

Mark	Symbol and Description	AWX8949	AWX8941
	L4362 L4363 R4362 CN4322 11P Plug	CTF1385 CTF1385 Not used Not used	Not used VTL1169 RS1/16S0R0J XKP3065

T DC/DC ASSY

AWX8917 and AWX8918 are constructed the same except for the following:

Mark	Symbol and Description	AWX8917	AWX8918
	C4272 C4273 C4274 L4271	CEAT103M16 CEHAZL102M6R3 CEHAZL102M16 ATH7044	CEAT682M25 CEHAZL331M6R3 CEHAZL471M25 ATH7052

X SP/PS ASSY

AWX8910 and AWX8912 are constructed the same except for the following:

Mark	Symbol and Description	AWX8910	AWX8912
	C4101, C4102	ACH7258	ACH7255

FFC GUARD (SIDE) ASSY

AWX8937 and AWX8938 are constructed the same except for the following:

Mark	Symbol and Description	AWX8937	AWX8938
	KN5861 Screw Plate	Not used	ANG7591

1 2 3 4

PCB PARTS LIST FOR VSX-LX70 UNLESS OTHER WISE NOTED

Mark No.	Description	Part No.	Mark No.	Description	Part No.
POWER AMP ASSY (AWH7012)			R	6207(B,82,215)	RS1/16S473J
MISCELLANEOUS			R	6208(B,86,215)	RS1/16S473J
J 13	JUMPER WIRE	D20PDY0525E	R	6209(B,68,215)	RS1/16S223J
Y 3	LEAD WITH HOUSING	ADX7458	R	6210(B,72,215)	RS1/16S223J
Y 1	LEAD WITH HOUSING	ADX7459	R	6211(B,54,215)	RS1/16S474J
Y 2	LEAD WITH HOUSING	ADX7457	R	6212(B,58,215)	RS1/16S474J
Y 4	LEAD WITH HOUSING	ADX7460	R	6213(B,41,215)	RS1/16S474J
△ 11	P.C.BOARD	ANP7542	R	6214(B,45,215)	RS1/16S474J
Y 5	LEAD WITH HOUSING	ADX7404	R	6215(B,27,213)	RS1/16S474J
Y 6	LEAD WITH HOUSING	ADX7498	R	6216(B,31,213)	RS1/16S474J
			R	6217(B,119,214)	RS1/16S331J
COMPLEX ASSY (AWM8082)			R	6218(B,128,214)	RS1/16S331J
MISCELLANEOUS			R	6221(B,93,214)	RS1/16S222J
J 3301	3P JUMPER WIRE	D20PDD0310E	R	6222(B,102,214)	RS1/16S222J
J 3302	3P JUMPER WIRE	D20PDD0315E	R	6223(B,79,214)	RS1/16S331J
J 3303	4PJUMPER WIRE	D20PDD0415E	R	6224(B,88,214)	RS1/16S331J
△ Y 14	AWG18 BOARD IN	ADX7604	R	6225(B,65,214)	RS1/16S331J
△ Y 15	AWG18 BOARD IN	ADX7491	R	6226(B,74,214)	RS1/16S331J
			R	6227(B,52,214)	RS1/16S331J
			R	6228(B,61,214)	RS1/16S331J
			R	6229(B,38,214)	RS1/16S331J
SECONDARY ASSY (AWR7054)			R	6230(B,47,214)	RS1/16S331J
MISCELLANEOUS			R	6231(B,24,212)	RS1/16S331J
Y 10	AWG14 BOARD IN	ADX7489	R	6232(B,33,212)	RS1/16S331J
Y 9	AWG14 BOARD IN	ADX7488	R	6237(B,96,204)	RS1/16S154J
Y 8	AWG14 BOARD IN	ADX7451	R	6238(B,100,204)	RS1/16S154J
Y 11	AWG14 BOARD IN	ADX7454			
Y 12	AWG14 BOARD IN	ADX7455	R	6251(B,135,212)	RS1/16S104J
FFC GUARD (FRONT) ASSY (AWX8899)			R	6252(B,139,212)	RS1/16S104J
MISCELLANEOUS			R	6253(B,134,209)	RS1/16S561J
3152(A,322,161)	PCB BINDER	VEF1040	R	6254(B,140,209)	RS1/16S561J
3151(A,302,132)	PCB BINDER	VEF1040	R	6255(B,136,192)	RS1/16S104J
			R	6256(B,141,181)	RS1/16S104J
			R	6257(B,136,188)	RS1/16S561J
FFC GUARD (SIDE) ASSY (AWX8937)			R	6258(B,136,182)	RS1/16S561J
MISCELLANEOUS			R	6259(B,132,196)	RS1/16S394J
5862(A,175,32)	PCB BINDER	VEF1040	R	6260(B,134,177)	RS1/16S394J
5861(A,170,77)	PCB BINDER	VEF1040	R	6261(B,124,196)	RS1/16S303J
			R	6262(B,126,177)	RS1/16S303J
			R	6263(B,122,196)	RS1/16S471J
			R	6264(B,124,177)	RS1/16S471J
			R	6265(B,117,191)	RS1/16S224J
			R	6266(B,115,176)	RS1/16S224J
IC 6201(B,71,191)	AUDIO IC	BD3841FS	R	6267(B,46,190)	RS1/16S101J
IC 6203(B,130,185)	OP-AMP IC	BA4560RF	R	6268(B,48,190)	RS1/16S101J
JA 6401(A,14,230)	JACK	AKN-209	R	6269(B,84,195)	RS1/16S0R0J
CN6202(A,20,178)	17P SOCKET	XKP3079	R	6270(B,84,193)	RS1/16S0R0J
CN6203(A,109,174)	23P SOCKET	XKP3082			
CN6204(A,66,174)	15P SOCKET	XKP3078	R	6271(B,102,191)	RS1/16S473J
CN6205(A,133,230)	PIN JACK(4P)	AKB7172	R	6272(B,100,191)	RS1/16S473J
CN6207(A,91,230)	PIN JACK(4P)	AKB7172	R	6273(B,97,191)	RS1/16S473J
CN6208(A,63,230)	PIN JACK(4P)	AKB7172	R	6274(B,95,191)	RS1/16S473J
CN6209(A,35,230)	PIN JACK(4P)	AKB7172	R	6282(B,112,203)	RS1/16S105J
			R	6283(B,110,203)	RS1/16S105J
			R	6286(B,38,172)	RS1/16S0R0J
			R	6287(B,83,178)	RS1/16S0R0J
			R	6299(B,36,198)	RS1/16S0R0J
RESISTORS			CAPACITORS		
R 6201(B,122,215)		RS1/16S473J	C 6201(B,124,221)		CCSRCH101J50
R 6202(B,126,215)		RS1/16S473J			
R 6205(B,96,215)		RS1/16S104J			
R 6206(B,100,215)		RS1/16S104J			

5	6	7	8
<u>Mark No.</u>	<u>Description</u>	<u>Part No.</u>	<u>Mark No.</u> <u>Description</u> <u>Part No.</u>
C 6202(B,127,221)		CCSRCH101J50	C 6285(B,64,223) CKSRYB103K50
C 6205(B,96,221)		CCSRCH101J50	C 6286(B,35,224) CKSRYB104K16
C 6206(B,99,221)		CCSRCH101J50	C 6291(B,134,222) CKSRYB471K50
C 6207(B,82,221)		CCSRCH101J50	C 6292(B,33,224) CKSRYB471K50
C 6208(B,85,221)		CCSRCH101J50	C 6293(B,126,196) CKSRYB122K50
C 6209(B,68,221)		CCSRCH101J50	C 6294(B,128,177) CKSRYB122K50
C 6210(B,71,221)		CCSRCH101J50	C 6295(A,78,180) CEAT470M25
C 6211(B,54,221)		CCSRCH101J50	C 6296(A,73,172) CEAT470M25
C 6212(B,57,221)		CCSRCH101J50	C 6403(B,21,206) CKSRYB104K50
C 6213(B,40,221)		CCSRCH101J50	C 6404(B,21,208) CKSRYB471K50
C 6214(B,43,221)		CCSRCH101J50	C 6405(B,17,217) CKSRYB103K50
C 6215(B,26,221)		CCSRCH101J50	C 6406(B,13,217) CKSRYB103K50
C 6216(B,29,221)		CCSRCH101J50	
C 6217(B,122,213)		CCSRCH151J50	
C 6218(B,126,213)		CCSRCH151J50	
C 6221(B,96,213)		CCSRCH220J50	
C 6222(B,100,213)		CCSRCH220J50	
C 6223(B,82,213)		CCSRCH151J50	
C 6224(B,86,213)		CCSRCH151J50	
C 6225(B,68,213)		CCSRCH151J50	
C 6226(B,72,213)		CCSRCH151J50	
C 6227(B,54,213)		CCSRCH101J50	
C 6228(B,58,213)		CCSRCH101J50	
C 6229(B,41,213)		CCSRCH101J50	
C 6230(B,45,213)		CCSRCH101J50	
C 6231(B,27,211)		CCSRCH101J50	
C 6232(B,31,211)		CCSRCH101J50	
C 6237(A,95,207)		CEAT100M50	
C 6238(A,101,207)		CEAT100M50	
C 6243(A,53,207) ELECT. CAPACITOR	CEAT470M25		
C 6244(A,60,207) ELECT. CAPACITOR	CEAT470M25		
C 6245(A,39,207) ELECT. CAPACITOR	CEAT470M25		
C 6246(A,47,207) ELECT. CAPACITOR	CEAT470M25		
C 6247(A,26,205) ELECT. CAPACITOR	CEAT470M25		
C 6248(A,32,205) ELECT. CAPACITOR	CEAT470M25		
C 6249(B,138,221)	CCSRCH221J50		
C 6250(B,141,221)	CCSRCH221J50		
C 6251(A,134,201)	CEAT100M50		
C 6252(A,140,201)	CEAT100M50		
C 6253(B,134,192)	CCSRCH331J50		
C 6254(B,143,181)	CCSRCH331J50		
C 6255(A,139,189)	CEAT470M16		
C 6256(A,139,181)	CEAT470M16		
C 6257(B,134,188)	CCSRCH561J50		
C 6258(B,134,182)	CCSRCH561J50		
C 6259(B,130,196)	CKSRYB822K50		
C 6260(B,132,177)	CKSRYB822K50		
C 6261(B,128,196)	CKSRYB122K50		
C 6262(B,130,177)	CKSRYB122K50		
C 6263(A,120,194)	CEAT100M50		
C 6264(A,118,174)	CEAT100M50		
C 6265(A,122,180)	CEAT470M16		
C 6266(A,122,188)	CEAT470M16		
C 6267(B,51,189)	CCSRCH101J50		
C 6268(B,53,189)	CCSRCH101J50		
C 6269(B,67,182)	CKSRYB103K50		
C 6270(B,69,182)	CKSRYB103K50		
C 6279(B,130,222)	CKSRYB103K50		
C 6283(B,132,222)	CKSRYB104K16		
C 6284(B,91,224)	CKSRYB103K50		
			B V-AUDIO ASSY
			MISCELLANEOUS
		IC 6301(B,50,143) AUDIO IC	BD3841FS
		Q 6301(B,13,143) TRANSISTOR	IMX25
		JA 6301(A,26,107) PIN JACK(6P)	AKB7174
		CN6301(A,121,144) CONNECTOR(06P)	TUC-P06X-B1
		CN6302(A,38,163) 23P SOCKET	XKP3082
		CN6307(A,61,107) PIN JACK(4P)	AKB7172
		CN6308(A,89,107) PIN JACK(4P)	AKB7172
		CN6309(A,117,107) PIN JACK(4P)	AKB7172
			RESISTORS
		R 6301(B,23,127)	RS1/16S473J
		R 6302(B,19,127)	RS1/16S473J
		R 6303(B,26,128)	RS1/16S331J
		R 6304(B,17,128)	RS1/16S331J
		R 6307(B,36,127)	RS1/16S473J
		R 6308(B,32,127)	RS1/16S473J
		R 6309(B,39,128)	RS1/16S331J
		R 6310(B,30,128)	RS1/16S331J
		R 6313(B,49,127)	RS1/16S473J
		R 6314(B,45,127)	RS1/16S473J
		R 6315(B,52,128)	RS1/16S331J
		R 6316(B,43,128)	RS1/16S331J
		R 6319(B,62,127)	RS1/16S473J
		R 6320(B,58,127)	RS1/16S473J
		R 6321(B,65,128)	RS1/16S331J
		R 6322(B,55,128)	RS1/16S331J
		R 6325(B,75,127)	RS1/16S104J
		R 6326(B,71,127)	RS1/16S104J
		R 6327(B,78,128)	RS1/16S222J
		R 6328(B,69,128)	RS1/16S222J
		R 6329(B,75,134)	RS1/16S154J
		R 6330(B,71,134)	RS1/16S154J
		R 6331(B,88,127)	RS1/16S473J
		R 6332(B,84,127)	RS1/16S473J
		R 6333(B,91,128)	RS1/16S331J
		R 6334(B,82,128)	RS1/16S331J
		R 6337(B,101,127)	RS1/16S104J
		R 6338(B,97,127)	RS1/16S104J
		R 6339(B,104,128)	RS1/16S222J
		R 6340(B,95,128)	RS1/16S222J
		R 6341(B,101,134)	RS1/16S154J
		R 6342(B,97,134)	RS1/16S154J
		R 6343(B,113,133)	RS1/16S473J
		R 6344(B,109,127)	RS1/16S473J

	<u>Mark No.</u>	<u>Description</u>	<u>Part No.</u>	<u>Mark No.</u>	<u>Description</u>	<u>Part No.</u>
	R	6345(B,113,135)	RS1/16S331J	C	6362(B,52,151)	CKSRYB103K50
A	R	6346(B,109,129)	RS1/16S331J	C	6363(A,79,157)	CEAT470M25
	R	6351(B,13,131)	RS1/16S102J	C	6364(A,73,162)	CEAT470M25
	R	6352(B,9,136)	RS1/16S102J	C	6368(B,19,114)	CKSRYB103K50
	R	6353(B,18,149)	RS1/16S103J	C	6369(B,22,111)	CKSRYB103K50
	R	6354(B,8,149)	RS1/16S103J	C	6377(A,62,156) ELECT. CAPACITOR	CEAT470M25
	R	6355(B,16,156)	RS1/16S102J	C	6378(A,56,156) ELECT. CAPACITOR	CEAT470M25
	R	6356(B,11,158)	RS1/16S102J	C	6379(B,35,114)	CKSRYB471K50
	R	6361(B,73,152)	RS1/16S101J	C	6380(B,63,114)	CKSRYB471K50
	R	6362(B,69,152)	RS1/16S101J	C	6381(B,91,114)	CKSRYB471K50
	R	6381(B,38,148)	RS1/16S473J			
	R	6382(B,40,147)	RS1/16S473J			
B	R	6383(B,35,165)	RS1/16S0R0J			

C FRONT-IN ASSY MISCELLANEOUS

CAPACITORS

C	6301(B,28,116)	CCSRCH101J50
C	6302(B,23,116)	CCSRCH101J50
C	6303(B,23,129)	CCSRCH101J50
C	6304(B,19,129)	CCSRCH101J50
C	6307(B,42,116)	CCSRCH101J50
C	6308(B,37,116)	CCSRCH101J50
C	6309(B,36,129)	CCSRCH101J50
C	6310(B,32,129)	CCSRCH101J50
C	6313(B,56,116)	CCSRCH101J50
C	6314(B,51,116)	CCSRCH101J50
C	6315(B,49,129)	CCSRCH101J50
C	6316(B,45,129)	CCSRCH101J50
C	6319(B,70,116)	CCSRCH101J50
C	6320(B,65,116)	CCSRCH101J50
C	6321(B,62,129)	CCSRCH101J50
C	6322(B,58,129)	CCSRCH101J50
C	6325(B,83,114)	CCSRCH101J50
C	6326(B,79,113)	CCSRCH101J50
C	6327(B,75,129)	CCSRCH220J50
C	6328(B,71,129)	CCSRCH220J50

C	6329(A,77,137)	CEAT100M50
C	6330(A,70,137)	CEAT100M50
C	6331(B,98,116)	CCSRCH101J50
C	6332(B,93,116)	CCSRCH101J50
C	6333(B,88,129)	CCSRCH101J50

C	6334(B,84,129)	CCSRCH101J50
C	6337(B,111,114)	CCSRCH101J50
C	6338(B,107,113)	CCSRCH101J50
C	6339(B,101,129)	CCSRCH220J50
C	6340(B,97,129)	CCSRCH220J50

C	6341(A,103,137)	CEAT100M50
C	6342(A,96,137)	CEAT100M50
C	6343(B,126,116)	CCSRCH101J50
C	6344(B,121,116)	CCSRCH101J50
C	6345(B,113,137)	CCSRCH101J50

C	6346(B,109,131)	CCSRCH101J50
C	6349(B,33,114)	CKSRYB104K16
C	6350(B,61,114)	CKSRYB104K16
C	6351(B,89,114)	CKSRYB104K16
C	6353(B,14,116)	CCSRCH331J50

C	6354(B,9,116)	CCSRCH331J50
C	6359(B,60,149)	CCSRCH101J50
C	6360(B,62,149)	CCSRCH101J50
C	6361(B,56,151)	CKSRYB103K50

IC	3451(B,50,39) OP-AMP IC	BA4560RF
Q	3451(B,103,33) CHIP TRANSISTOR	HN1C01FU
D	3451(B,72,45) DIODE	UDZS5R1(B)
D	3452(B,70,45) DIODE	UDZS5R1(B)
D	3453(B,34,27) DIODE	UDZS5R1(B)
D	3454(B,47,24) DIODE	DAN217U
D	3455(B,128,27) DIODE	DAN217U
D	3467(B,42,42) DIODE	DAN217U
D	3502(B,14,45) ZENER DIODE	UMZU6.2N
D	3504(B,8,36) ZENER DIODE	UMZU6.2N
L	3453(B,57,28) CHIP SOLID INDUCTOR	QTL1013
L	3465 INDUCTOR	CTF1385
JA	3451(A,32,11) JACK	RKN1004
JA	3452(A,117,15) FRONT AV INPUT	AKX7019
JA	3501(A,14,10) USB CONNECTOR	XKP3086
KN	3451(A,36,39) WRAPPING TERMINAL	VNF1084
KN	3452(A,123,39) WRAPPING TERMINAL	VNF1084
CN	3451(A,118,53) CONNECTOR	CKS3380
CN	3501(A,11,39) PLUG(5P)	KM200NA5
	3501(A,22,32) PCB BINDER	VEF1040

RESISTORS

R	3451(B,37,21)	RS1/16S682J
R	3452(B,38,18)	RS1/16S104J
R	3453(B,39,25)	RS1/16S101J
R	3454(B,42,26)	RS1/16S104J
R	3455(B,48,32)	RS1/16S333J
R	3456(B,46,31)	RS1/16S432J
R	3457(B,48,46)	RS1/16S432J
R	3458(B,52,46)	RS1/16S333J
R	3459(B,55,46)	RS1/16S101J
R	3460(B,29,26)	RS1/16S102J
R	3461(B,68,48)	RS1/16S104J
R	3462(B,63,26)	RS1/16S101J
R	3463(B,36,27)	RS1/16S102J
R	3469(B,105,62)	RS1/16S0R0J
R	3470(B,111,51)	RS1/16S0R0J

R	3471(B,73,28)	RS1/16S750J
R	3472(B,73,31)	RS1/16S0R0J
R	3473(B,78,26)	RS1/16S750J
R	3474(B,76,28)	RS1/16S0R0J
R	3475(B,85,26)	RS1/16S750J

R	3476(B,87,28)	RS1/16S0R0J
R	3477(B,102,63)	RS1/16S0R0J
R	3480(B,45,35)	RS1/16S101J
R	3481(B,97,23)	RS1/16S104J

Mark No.	Description	Part No.
R 3482(B,125,23)		RS1/16S104J
R 3483(B,95,27)		RS1/16S221J
R 3484(B,121,27)		RS1/16S221J
R 3485(B,95,31)		RS1/16S104J
R 3486(B,113,24)		RS1/16S104J
R 3487(B,93,36)		RS1/16S221J
R 3488(B,113,28)		RS1/16S221J
R 3489(B,113,51)		RS1/16S101J
R 3490(B,118,50)		RS1/16S101J
R 3491(B,108,38)		RS1/16S153J
R 3492(B,110,38)		RS1/16S153J
R 3493(B,106,38)		RS1/16S470J
R 3494(B,117,46)		RS1/16S470J
R 3495(B,108,24)		RS1/16S0R0J
R 3496(B,121,23)		RS1/16S0R0J
R 3497(B,98,26)		RS1/16S0R0J
R 3498(B,114,36)		RS1/16S0R0J
R 3499(B,116,36)		RS1/16S0R0J
R 3501(B,12,31)		RS1/16S0R0J
R 3502(B,14,31)		RS1/16S0R0J
R 3503(B,6,31)		RS1/16S0R0J
R 3504(B,11,26)		RS1/16S0R0J
R 3505(B,18,44)		RS1/16S0R0J
R 3506(B,20,36)		RS1/16S0R0J
R 3507(B,26,33)		RS1/16S0R0J
R 3508(B,20,39)		RS1/16S0R0J
R 3509(B,20,46)		RS1/16S0R0J
R 3510(B,7,39)		RS1/16S222J
R 3511(B,17,48)		RS1/16S0R0J
R 3512(B,17,37)		RS1/16S0R0J

CAPACITORS

C 3451(B,36,18)	CKSRYB471K50
C 3452(B,41,21)	CKSQYB106K6R3
C 3453(B,42,24)	CCSRCH101J50
C 3454(B,50,32)	CCSRCH220J50
C 3455(B,50,46)	CCSRCH220J50
C 3457(A,29,30)	CEJQ100M16
C 3459(B,55,41)	CKSRYB103K50
C 3460(B,55,36)	CKSRYB103K50
C 3461(A,58,42)	CEAT100M50
C 3462(A,58,35)	CEAT100M50
C 3463(B,47,49)	CKSRYB105K6R3
C 3466(B,39,42)	CKSRYB104K16
C 3467(B,57,26)	CKSRYB104K16
C 3470(A,63,45)	CEAT100M50
C 3471(B,71,28)	CKSRYB104K16
C 3475(B,125,31)	CKSRYB104K16
C 3476(B,125,35)	CKSRYB103K50
C 3478(B,127,35)	CKSRYB472K50
C 3481(B,99,23)	CCSRCH221J50
C 3482(B,123,23)	CCSRCH221J50
C 3483(A,92,32)	CEAT100M50
C 3484(A,116,31)	CEAT100M50
C 3485(B,95,36)	CCSRCH101J50
C 3486(B,111,26)	CCSRCH101J50
C 3489(B,107,32)	CKSRYB103K50
C 3490(B,112,38)	CKSRYB103K50
C 3491(A,110,34)	ELECT. CAPACITOR CEAT330M25

Mark No.	Description	Part No.
C 3492(A,112,43)	ELECT. CAPACITOR	CEAT330M25
C 3495(B,125,27)		CKSRYB103K50
C 3496(B,95,23)		CKSRYB103K50
C 3497(B,65,48)		CKSRYB104K16
C 3498(B,63,48)		CKSRYB103K50
C 3499(B,60,49)		CKSRYB102K50
C 3503(B,8,31)		CKSRYB104K16

D HEADPHONE ASSY

MISCELLANEOUS

KN 3551(A,125,118)	WRAPPING TERMINAL	VNF1084
CN 3551(A,134,114)	4P JUMPER CONNECTOR	52147-0410
3551(A,125,73)	PHONE JACK	AKN7029

RESISTORS

R 3551(B,130,85)	RS1/16S102J
R 3552(B,133,111)	RS1/16S0R0J

CAPACITORS

C 3551(B,134,98)	CKSRYB392K50
C 3552(B,120,88)	CKSRYB392K50
C 3553(B,120,93)	CKSRYB471K50
C 3554(B,118,93)	CKSRYB103K50
C 3555(B,116,93)	CKSRYB104K16

E BRIDGE 1 ASSY

MISCELLANEOUS

CN 5431(A,152,224)	13P PLUG	XKP3066
CN 5432(A,165,176)	13P PLUG	XKP3066
CN 5433(A,191,225)	CONNECTOR	CKS1726
CN 5434(A,170,175)	CONNECTOR	CKS1726

F BRIDGE 2 ASSY

MISCELLANEOUS

CN 5441(A,200,98)	CONNECTOR	CKS3382
CN 5442(A,215,117)	15P PLUG	XKP3067
CN 5443(A,239,119)	17P PLUG	XKP3068

G TRANS SIDE ASSY

MISCELLANEOUS

L 4401(B,307,6)	INDUCTOR	CTF1385
L 4402(B,307,8)	INDUCTOR	CTF1385
L 4403(B,307,10)	INDUCTOR	CTF1385
L 4404(B,307,14)	INDUCTOR	CTF1385
L 4405(B,307,16)	INDUCTOR	CTF1385
L 4406(B,307,18)	INDUCTOR	CTF1385
L 4407(B,307,20)	INDUCTOR	CTF1385
L 4408(B,307,22)	INDUCTOR	CTF1385
L 4409(B,307,24)	INDUCTOR	CTF1385
L 4410(B,307,26)	INDUCTOR	CTF1385
L 4411(B,307,28)	INDUCTOR	CTF1385
L 4412(B,307,30)	INDUCTOR	CTF1385
L 4413(B,307,32)	INDUCTOR	CTF1385
J 5	JUMPER WIRE	D20PDY0410E
CN 4402(A,319,21)	L-PLUG(13P)	KM200NA13L
CN 4403(A,83,30)	CONNECTOR	CKS3382

Mark No.	Description	Part No.
4401(A,61,9)	4P CABLE HOLDER	51048-0400

Mark No.	Description	Part No.
R 2002(B,113,103)		RS1/16S750J
R 2003(B,113,89)		RS1/16S750J
R 2004(B,113,75)		RS1/16S750J
R 2005(B,113,47)		RS1/16S750J

A **H** BRIDGE 3 ASSY

MISCELLANEOUS

CN5451(A,169,100)	15P CONNECTOR	52044-1545
CN5452(A,140,100)	19P CONNECTOR	52044-1945
CN5453(A,135,134)	23P PLUG	XKP3071
CN5454(A,126,166)	23P PLUG	XKP3071
CN5455(A,169,166)	15P PLUG	XKP3067

R 2006(B,113,19)		RS1/16S750J
R 2010(B,138,105)		RS1/16S103J
R 2012(B,138,114)		RS1/16S103J
R 2013(B,138,117)		RS1/16S103J
R 2014(B,138,101)		RS1/16S103J

RESISTORS

R 5451(B,148,161)		RS1/16S0R0J
R 5452(B,146,159)		RS1/16S0R0J
R 5453(B,143,161)		RS1/16S0R0J
R 5454(B,141,159)		RS1/16S0R0J
R 5455(B,138,161)		RS1/16S0R0J

R 2015(B,138,111)		RS1/16S103J
R 2019(A,124,112)		RS1/16S750J
R 2020(A,122,101)		RS1/16S750J
R 2021(A,122,106)		RS1/16S750J
R 2022(A,126,121)		RS1/16S0R0J

R 5456(B,184,161)		RS1/16S0R0J
R 5457(B,179,161)		RS1/16S0R0J
R 5458(B,176,159)		RS1/16S0R0J
R 5459(B,174,161)		RS1/16S0R0J
R 5460(B,171,159)		RS1/16S0R0J

R 2025(A,147,98)		RS1/16S473J
R 2026(A,128,84)		RS1/16S473J
R 2027(A,130,84)		RS1/16S473J
R 2028(B,138,63)		RS1/16S473J
R 2029(B,138,67)		RS1/16S473J

CAPACITORS

C 5451(B,160,106)		CKSRYB104K16
C 5452(B,164,106)		CKSRYB104K16

R 2030(B,138,65)		RS1/16S473J
R 2034(A,138,92)		RS1/16S473J
R 2035(A,122,109)		RS1/16S473J
R 2040(A,133,33)		RS1/16S331J
R 2041(A,132,36)		RS1/16S331J

R 2042(A,134,36)		RS1/16S331J
R 2043(A,151,43)		RS1/16S512J
R 2044(A,154,43)		RS1/16S392J
R 2045(A,153,49)		RS1/16S103J
R 2047(A,150,54)		RS1/16S102J

I COMPOSITE V ASSY

MISCELLANEOUS

IC 2001(A,134,86)	LOGIC IC	TC74HC4051AFT
IC 2002(A,136,69)	LOGIC IC	TC74HC4051AFT
IC 2003(A,153,86)	LOGIC IC	TC74HC4052AFT
IC 2004(A,149,69)	LOGIC IC	TC74HC4052AFT
IC 2007(A,142,50)	CHARACTER GENERATOR	PDC162A

R 2060(A,152,32)		RS1/16S0R0J
R 2065(A,128,125)		RS1/16S0R0J
R 2070(A,149,120)		RS1/16S0R0J
R 2071(A,147,120)		RS1/16S0R0J
R 2072(B,113,115)		RS1/16S0R0J

IC 2008(A,154,102)	LOGIC IC	TC4094BFN
IC 2009(A,156,113)	LOGIC IC	TC4094BFN
IC 2010(A,132,109)	VIDEO AMP IC	LA7109
Q 2001(A,154,47)	TRANSISTOR	2SC4154
Q 2081(A,159,32)	TRANSISTOR	2SC4154

R 2082(A,151,30)		RS1/16S0R0J
R 2084(A,162,32)		RS1/16S103J
R 2085(A,156,30)		RS1/16S472J
R 2086(A,147,111)		RS1/16S103J
R 2087(B,128,116)		RS1/16S103J

D 2001(A,142,31)	DIODE	MC2846-11
D 2002(A,161,49)	DIODE	MC2846-11
D 2003(A,162,55)	DIODE	MC2846-11
D 2004(B,157,111)	DIODE	DAN217U
D 2005(B,113,108)	DIODE	DAN217U

CAPACITORS

C 2001(A,138,83)		CKSRYB103K50
C 2002(A,130,90)		CKSRYB103K50
C 2003(A,141,67)		CKSRYB103K50
C 2004(A,132,73)		CKSRYB103K50
C 2005(A,157,84)		CKSRYB103K50

D 2006(B,113,80)	DIODE	DAN217U
D 2007(B,113,52)	DIODE	DAN217U
D 2008(B,113,127)	DIODE	DAN217U
L 2001(A,128,43)	AXIAL INDUCTOR	LAU330J
JA 2005(A,104,130)	PIN JACK(1P)	AKB7175

C 2006(A,149,90)		CKSRYB103K50
C 2007(A,154,66)		CKSRYB103K50
C 2008(A,145,72)		CKSRYB103K50
C 2010(A,144,102)		CEAT101M10
C 2012(A,144,108)		CEAT101M10

X 2001(A,129,55)	CRYSTAL RESONATOR	ASS7080
CN2001(A,135,24)	19P SOCKET	XKP3080
CN2002(A,160,123)	17P SOCKET	XKP3079
2001(A,104,109)	PIN JACK(2P)	AKB7176
2002(A,104,81)	PIN JACK(2P)	AKB7176

C 2013(A,144,114)		CEAT101M10
C 2015(A,128,97)		CEAT101M10
C 2016(A,136,98)		CEAT101M10
C 2017(A,128,100)		CKSRYB104K16
C 2018(B,138,95)		CKSRYB104K16

2004(A,104,25)	PIN JACK(2P)	AKB7176
2003(A,104,53)	PIN JACK(2P)	AKB7176

C 2019(A,124,111)		CCSRCH181J50
C 2020(A,122,103)		CCSRCH181J50
C 2021(A,122,104)		CCSRCH181J50
C 2025(B,150,100)		CKSRYB103K50

RESISTORS

R 2001(B,113,117)		RS1/16S750J
-------------------	--	-------------

Mark No.	Description	Part No.	Mark No.	Description	Part No.
C 2026(B,149,111)		CKSRYB103K50	R 2202(B,23,88)		RS1/16S750J
C 2031(B,152,33)		CKSRYB102K50	R 2203(B,23,73)		RS1/16S750J
C 2032(B,157,31)		CKSRYB102K50	R 2204(B,23,74)		RS1/16S750J
C 2040(A,149,38)		CEAT101M10	R 2205(B,23,45)		RS1/16S750J
C 2041(A,140,38)		CEAT101M10	R 2206(B,23,46)		RS1/16S750J
C 2042(A,144,60)		CKSRYB473K25	R 2207(B,23,17)		RS1/16S750J
C 2043(A,138,40)		CKSRYB473K25	R 2208(B,23,18)		RS1/16S750J
C 2044(B,138,59)		CCSRCH6R0D50	R 2221(A,42,88)		RS1/16S103J
C 2045(B,138,57)		CCSRCH6R0D50	R 2222(A,48,93)		RS1/16S103J
C 2046(B,138,44)		CCSRCH240J50	R 2224(B,48,95)		RS1/16S103J
C 2047(B,138,42)		CCSRCH240J50	R 2225(A,44,102)		RS1/16S103J
C 2048(A,130,33)		CCSRCH101J50	R 2227(A,29,96)		RS1/16S750J
C 2049(A,130,37)		CCSRCH101J50	R 2228(A,28,100)		RS1/16S750J
C 2050(A,130,34)		CCSRCH101J50	R 2233(B,27,57)		RS1/16S750J
C 2052(A,151,45)		CKSRYB103K50	R 2234(B,27,62)		RS1/16S750J
C 2053(A,153,57)		CEAT101M10	R 2239(B,29,29)		RS1/16S750J
C 2054(A,150,45)		CKSRYB122K50	R 2240(B,27,34)		RS1/16S750J
C 2055(B,147,46)		CKSRYB122K50	R 2245(A,36,111)		RS1/16S103J
C 2056(A,150,52)		CCSRCH101J50	R 2246(A,32,114)		RS1/16S471J
C 2083(A,160,42)		CEAT101M10	R 2247(A,31,118)		RS1/16S274J
C 2084(A,157,36)		CKSRYB103K50	R 2261(B,29,130)		RS1/16S750J
C 2085(A,156,32)		CKSRYB103K50	R 2265(A,52,115)		RS1/16S473J
C 2088(A,158,60)		CKSRYB103K50	R 2266(A,52,116)		RS1/16S473J
C 2091(B,113,111)		CKSRYB103K50	R 2267(A,52,118)		RS1/16S473J
C 2092(B,113,83)		CKSRYB103K50	R 2268(A,41,112)		RS1/16S473J
C 2093(B,113,55)		CKSRYB103K50	R 2269(B,63,103)		RS1/16S473J
C 2094(B,117,126)		CKSRYB473K25	R 2270(A,72,113)		RS1/16S473J
			R 2271(A,72,114)		RS1/16S473J
			R 2272(A,71,117)		RS1/16S473J
			R 2277(B,53,115)		RS1/16S0R0J
			R 2278(B,57,115)		RS1/16S0R0J
			R 2279(B,44,24)		RS1/16S0R0J
			R 2280(B,44,26)		RS1/16S0R0J
			R 2282(B,71,48)		RS1/16S472J
			R 2283(A,60,118)		RS1/16S103J
			R 2296(B,72,64)		RS1/16S103J
			R 2297(B,72,51)		RS1/16S472J
			R 2299(B,69,48)		RS1/16S103J

J S VIDEO ASSY
MISCELLANEOUS

IC 2201(A,43,65)	LOGIC IC	TC74HC4051AFT
IC 2202(A,57,67)	LOGIC IC	TC74HC4051AFT
IC 2203(A,61,89)	LOGIC IC	TC74HC4052AFT
IC 2204(A,36,96)	VIDEO AMP IC	LA7109
IC 2205(A,43,45)	LOGIC IC	TC74HC4051AFT
IC 2206(A,57,45)	LOGIC IC	TC74HC4051AFT
IC 2207(A,35,116)	IC	NJM12904V
IC 2210(A,46,116)	LOGIC IC	TC4094BFN
IC 2211(A,66,114)	LOGIC IC	TC4094BFN
Q 2201(A,30,122)	TRANSISTOR	RT1N241M
Q 2202(B,71,56)	TRANSISTOR	2SC4154
Q 2203(B,64,47)	TRANSISTOR	2SC4154
D 2201(A,31,114)	DIODE	1SS352
D 2202(A,57,117)	DIODE	MC2846-11
D 2203(B,73,113)	DIODE	DAN217U
D 2204(B,21,94)	DIODE	DAN217U
D 2205(B,21,52)	DIODE	DAN217U
D 2206(B,21,24)	DIODE	DAN217U
D 2207(B,21,129)	DIODE	DAN217U
JA 2201(A,12,130)	PIN JACK(1P)	AKB7175
JA 2202(A,12,88)	SOCKET	XKB3052
JA 2203(A,12,53)	SOCKET	XKB3051
JA 2204(A,12,25)	SOCKET	XKB3051
CN2201(A,67,24)	17P SOCKET	XKP3079
CN2202(A,49,123)	15P SOCKET	XKP3078

RESISTORS

R 2201(B,23,87)		RS1/16S750J
-----------------	--	-------------

CAPACITORS

C 2202(B,27,90)		CKSRYB104K16
C 2204(B,27,77)		CKSRYB104K16
C 2206(B,27,48)		CKSRYB104K16
C 2208(B,28,25)		CKSRYB104K16
C 2211(A,46,63)		CKSRYB104K16
C 2212(A,39,69)		CKSRYB104K16
C 2213(A,61,64)		CKSRYB104K16
C 2214(A,53,70)		CKSRYB104K16
C 2215(A,46,41)		CKSRYB104K16
C 2216(A,39,48)		CKSRYB104K16
C 2217(A,60,42)		CKSRYB104K16
C 2218(A,53,48)		CKSRYB104K16
C 2219(A,58,85)		CKSRYB103K50
C 2220(A,64,92)		CKSRYB103K50
C 2221(A,50,88)		CEAT101M10
C 2222(A,51,93)		CKSRYB104K16
C 2224(A,50,98)		CEAT101M10
C 2225(A,45,102)		CKSRYB104K16
C 2227(A,27,96)		CCSRCH181J50
C 2228(A,30,99)		CCSRCH181J50

	<u>Mark No.</u>	<u>Description</u>	<u>Part No.</u>	<u>Mark No.</u>	<u>Description</u>	<u>Part No.</u>
	C	2229(A,28,101)	CKSRYB104K16	Q	2401(A,76,28) TRANSISTOR(SC-70)	2SA1602A
	C	2230(B,17,91)	CKSRYB103K50	Q	2402(A,73,28) TRANSISTOR(SC-70)	2SA1602A
A	C	2231(B,21,96)	CKSRYB474K10	Q	2403(A,86,27) TRANSISTOR(SC-70)	2SA1602A
	C	2233(B,23,59)	CCSRCH181J50	Q	2404(A,92,31) TRANSISTOR(SC-70)	2SA1602A
	C	2234(B,23,60)	CCSRCH181J50	Q	2405(A,83,27) TRANSISTOR(SC-70)	2SA1602A
	C	2235(B,27,64)	CKSRYB104K16	Q	2406(A,92,28) TRANSISTOR(SC-70)	2SA1602A
	C	2236(B,21,54)	CKSRYB103K50	⚠ Q	2407(B,48,33) TRANSISTOR	2SC4154
	C	2239(B,23,31)	CCSRCH181J50	⚠ Q	2408(B,43,28) TRANSISTOR(SC-70)	2SA1602A
	C	2240(B,23,32)	CCSRCH181J50	Q	2420(A,65,31) TRANSISTOR	RT1N241M
	C	2241(B,27,36)	CKSRYB104K16	Q	2630(B,114,26) TRANSISTOR	RT1N241M
	C	2242(B,21,26)	CKSRYB103K50	Q	2631(A,164,44) TRANSISTOR	RT1N241M
	C	2245(A,36,109)	CKSRYB104K16	Q	2632(B,118,26) TRANSISTOR	RT1N241M
	C	2246(A,26,115)	CEAT100M50	Q	2633(B,111,32) TRANSISTOR	RT1N241M
B	C	2247(A,32,118)	CKSRYB103K50	Q	2639(B,108,149) DIGITAL TR(SC-70)	RT1P241M
	C	2251(B,48,34)	CKSRYB102K50	Q	2640(B,115,148) DIGITAL TR(SC-70)	RT1P241M
	C	2252(B,38,35)	CKSRYB102K50	⚠ Q	2641(A,194,30) TRANSISTOR	2SD1858X
	C	2259(B,25,130)	CCSRCH181J50	⚠ Q	2642(A,178,30) TRANSISTOR	2SB1238X
	C	2261(B,25,127)	CKSRYB103K50	Q	2645(A,168,46) DIGITAL TR(SC-70)	RT1P241M
	C	2262(B,23,127)	CKSRYB104K16	Q	2771(B,44,149) TRANSISTOR	2SD1664
	C	2265(A,44,109)	CKSRYB103K50	D	2401(B,56,24) DIODE	1SS352
	C	2266(A,65,107)	CKSRYB103K50	D	2402(B,48,24) DIODE	1SS352
	C	2279(A,50,29)	CEAT101M16	D	2403(A,58,28) DIODE	1SS352
	C	2280(A,44,29)	CEAT101M16	D	2411(B,23,60) DIODE	DAN217U
	C	2285(A,44,83)	CEAT101M10	D	2412(B,23,32) DIODE	DAN217U
C	C	2286(A,36,81)	CEAT101M10	D	2413(B,23,16) DIODE	DAN217U
	C	2287(A,35,86)	CKSRYB104K16	D	2414(B,23,74) DIODE	DAN217U
	C	2288(A,36,106)	CKSRYB104K16	D	2504(A,129,38) DIODE	DAN217
	C	2291(B,68,56)	CKSRYB103K50	D	2505(A,134,38) DIODE	DAN217
	C	2292(B,68,52)	CKSRYB103K50	D	2517(B,188,22) DIODE	UDZS7R5(B)
	C	2293(B,61,42)	CKSRYB103K50	D	2518(B,183,22) DIODE	UDZS7R5(B)
	C	2294(B,67,52)	CKSRYB103K50	D	2519(B,156,150) DIODE	1SS352
	C	2296(A,69,63)	CEAL220M10	D	2613(B,192,56) DIODE	DAN217
	C	2297(B,67,45)	CKSRYB104K16	D	2753(B,33,135) CHIP DIODE	RB501V-40
				D	2754(B,33,133) CHIP DIODE	RB501V-40
				D	2755(B,30,108) DIODE	1SS352
				D	2761(B,89,147) DIODE	1SS352
				D	2772(B,49,146) DIODE	UDZS10(B)
				L	2752(B,34,137) CHIP SOLID INDUCTOR	QTL1013
				L	2754(B,32,128) CHIP SOLID INDUCTOR	QTL1013
				L	2756(B,32,121) CHIP SOLID INDUCTOR	QTL1013
				L	2760(B,28,141) INDUCTOR	CTF1385
				L	2762(B,33,93) CHIP SOLID INDUCTOR	QTL1013
				L	2763(B,31,114) CHIP SOLID INDUCTOR	QTL1013
				L	2764(B,31,112) CHIP SOLID INDUCTOR	QTL1013
				L	2765(B,33,105) CHIP SOLID INDUCTOR	QTL1013
				L	2766(B,33,103) CHIP SOLID INDUCTOR	QTL1013
				L	2767(B,32,98) INDUCTOR	CTF1385
				L	2768(B,41,135) CHIP SOLID INDUCTOR	QTL1013
				JA	2401(A,15,68) 6P RCA PINJACK	XKB3053
				JA	2402(A,15,26) 6P RCA PINJACK	XKB3053
				JA	2702(A,15,125) JACK	AKN-209
				JA	2703(A,17,138) JACK	RKN1004
				JA	2704(A,17,93) JACK	RKN1004
				JA	2705(A,15,103) MINI JACK(4P) /W SW	XKN3015
				KN	2701(A,15,147) SCREW PLATE	VNE1948
				X	2761(A,49,116) CRYSTAL RESONATOR	ASS7004
				CN	2402(A,49,14) CONNECTOR(07P)	TUC-P07X-B1
				CN	2403(A,90,18) 17P SOCKET	XKP3079
				CN	2409(A,51,78) CONNECTOR	CKS3382
				CN	2501(A,191,14) PLUG	CKS1758

K COMPONENT & VOL ASSY MISCELLANEOUS

IC 2401(A,65,45) MULTIPLEXER(4CH*2) TC74LVX4052FT
 IC 2402(A,44,45) MULTIPLEXER(4CH*2) TC74LVX4052FT
 IC 2404(A,73,64) MULTIPLEXER(2CH*3) TC74LVX4053FT
 IC 2405(B,44,66) VIDEO IC NJM2581M
 IC 2407(B,71,118) LOGIC IC TC4094BFN

IC 2408(A,75,139) IC TC74VHCT08AFTS1
 IC 2409(A,57,32) IC NJM12904V
 IC 2410(A,77,117) IC TC7SH08FUS1
 IC 2501(A,159,110) OP-AMP IC UPC4570G2
 IC 2525(A,197,110) OP-AMP IC UPC4570G2

IC 2551(A,178,110) OP-AMP IC UPC4570G2
 IC 2575(A,216,110) OP-AMP IC UPC4570G2
 IC 2630(B,159,40) IC TC4066BFN
 IC 2631(A,135,61) IC TC4053BFN
 IC 2632(A,145,38) OP-AMP IC BA4560RF

IC 2633(A,154,61) OP-AMP IC BA4560RF
 IC 2634(A,147,61) OP-AMP IC BA4560RF
 IC 2635(A,174,61) IC TC4052BFN
 IC 2636(A,201,68) 8CH E-VOL R2S15205FFP
 IC 2637(A,145,85) 2CH E-VOL M61545FFP

IC 2640(A,134,147) LOGIC IC TC4094BFN
 IC 2701(A,43,124) RDS DECORDER IC LC72725KM

5			6			7			8		
<u>Mark No.</u>	<u>Description</u>	<u>Part No.</u>	<u>Mark No.</u>	<u>Description</u>	<u>Part No.</u>	<u>Mark No.</u>	<u>Description</u>	<u>Part No.</u>	<u>Mark No.</u>	<u>Description</u>	<u>Part No.</u>
CN2502(A,109,47)	CONNECTOR	CKS3380									
CN2503(A,153,14)	PLUG	CKS1764	R 2490(B,78,139)		RS1/16S0R0J						
CN2504(A,173,143)	13P SOCKET	XKP3077	R 2491(B,77,139)		RS1/16S0R0J						
CN2505(A,102,14)	PLUG	CKS1758	R 2502(A,142,101)		RS1/16S0R0J						A
CN2506(A,226,18)	11P SOCKET	XKP3076	R 2509(B,161,98)		RS1/16S223J						
CN2507(A,212,146)	PLUG	CKS1760	R 2510(B,157,98)		RS1/16S223J						
CN2601(A,116,107)	CONNECTOR	CKS3384	R 2513(A,165,109)		RS1/16S682J						
CN2602(A,109,99)	CONNECTOR	CKS3389	R 2514(A,153,109)		RS1/16S682J						
CN2603(A,109,70)	CONNECTOR	CKS3384	R 2515(B,163,108)		RS1/16S122J						
CN2702(A,69,151)	CONNECTOR	CKS3376	R 2516(B,155,108)		RS1/16S122J						
CN2703(A,77,148)	07P CONNECTOR	RKN1048	R 2517(B,162,110)		RS1/16S0R0J						
2702(A,86,150)	PCB BINDER	VEF1040	R 2518(B,156,110)		RS1/16S0R0J						
2701(A,97,143)	PCB BINDER	VEF1040	R 2519(A,165,111)		RS1/16S183J						
			R 2520(A,154,111)		RS1/16S183J						
			R 2521(B,164,112)		RS1/16S0R0J						B
			R 2522(B,155,112)		RS1/16S0R0J						
RESISTORS											
R 2401(B,33,84)		RS1/16S750J									
R 2402(B,33,69)		RS1/16S750J	R 2523(B,164,118)		RS1/16S104J						
R 2403(B,33,54)		RS1/16S750J	R 2524(B,154,118)		RS1/16S104J						
R 2404(B,33,42)		RS1/16S750J	R 2533(B,199,98)		RS1/16S223J						
R 2405(B,33,28)		RS1/16S750J	R 2534(B,195,98)		RS1/16S223J						
			R 2537(A,203,109)		RS1/16S682J						
R 2406(B,33,18)		RS1/16S750J									
R 2407(B,33,38)		RS1/16S750J	R 2538(A,191,109)		RS1/16S682J						
R 2408(B,33,25)		RS1/16S750J	R 2539(B,201,108)		RS1/16S122J						
R 2409(B,25,11)		RS1/16S750J	R 2540(B,193,108)		RS1/16S122J						
R 2410(A,76,31)		RS1/16S102J	R 2541(B,200,110)		RS1/16S0R0J						C
			R 2542(B,194,110)		RS1/16S0R0J						
R 2411(A,73,31)		RS1/16S184J									
R 2412(A,80,31)		RS1/16S184J	R 2543(A,203,111)		RS1/16S183J						
R 2413(B,80,32)		RS1/16S0R0J	R 2544(A,192,111)		RS1/16S183J						
R 2414(B,84,37)		RS1/16S0R0J	R 2545(B,202,112)		RS1/16S0R0J						
R 2415(A,71,26)		RS1/16S114J	R 2546(B,193,112)		RS1/16S0R0J						
			R 2547(B,202,118)		RS1/16S104J						
R 2416(B,81,24)		RS1/16S0R0J									
R 2417(A,81,27)		RS1/16S114J	R 2548(B,192,118)		RS1/16S104J						
R 2418(A,84,31)		RS1/16S102J	R 2559(B,180,98)		RS1/16S223J						
R 2419(A,89,30)		RS1/16S102J	R 2560(B,176,98)		RS1/16S223J						
R 2420(A,86,30)		RS1/16S184J	R 2563(A,184,109)		RS1/16S682J						
			R 2564(A,172,109)		RS1/16S682J						
R 2421(B,90,37)		RS1/16S0R0J									D
R 2422(B,88,25)		RS1/16S0R0J	R 2565(B,182,108)		RS1/16S122J						
R 2423(A,91,26)		RS1/16S114J	R 2566(B,174,108)		RS1/16S122J						
R 2424(B,92,22)		RS1/16S0R0J	R 2567(B,181,110)		RS1/16S0R0J						
R 2425(A,79,115)		RS1/16S473J	R 2568(B,175,110)		RS1/16S0R0J						
			R 2569(A,184,111)		RS1/16S183J						
R 2435(A,73,127)		RS1/16S101J									
R 2437(A,74,127)		RS1/16S101J	R 2570(A,173,111)		RS1/16S183J						
R 2439(B,34,77)		RS1/16S750J	R 2571(B,183,112)		RS1/16S0R0J						
R 2440(B,33,63)		RS1/16S750J	R 2572(B,174,112)		RS1/16S0R0J						
R 2441(B,33,49)		RS1/16S750J	R 2573(B,183,118)		RS1/16S104J						
			R 2574(B,173,118)		RS1/16S104J						
R 2443(B,82,119)		RS1/16S473J									
R 2444(B,82,117)		RS1/16S473J	R 2583(B,218,98)		RS1/16S223J						E
R 2445(A,62,118)		RS1/16S473J	R 2584(B,214,98)		RS1/16S223J						
R 2446(B,55,111)		RS1/16S473J	R 2587(A,222,109)		RS1/16S682J						
R 2447(A,65,123)		RS1/16S473J	R 2588(A,210,109)		RS1/16S682J						
			R 2589(B,220,108)		RS1/16S122J						
R 2448(A,63,123)		RS1/16S473J									
R 2449(B,55,113)		RS1/16S473J	R 2590(B,212,108)		RS1/16S122J						
R 2451(B,48,30)		RS1/16S153J	R 2591(B,219,110)		RS1/16S0R0J						
R 2452(B,43,25)		RS1/16S153J	R 2592(B,213,110)		RS1/16S0R0J						
R 2453(A,49,33)		RS1/16S333J	R 2593(A,222,111)		RS1/16S183J						
			R 2594(A,211,111)		RS1/16S183J						
R 2454(A,44,27)		RS1/16S333J									
R 2477(B,65,32)		RS1/16S103J	R 2595(B,221,112)		RS1/16S0R0J						
R 2478(B,58,28)		RS1/16S471J	R 2596(B,212,112)		RS1/16S0R0J						F
R 2479(A,65,28)		RS1/16S274J	R 2597(B,221,118)		RS1/16S104J						
R 2480(A,65,34)		RS1/16S0R0J	R 2598(B,211,118)		RS1/16S104J						
			R 2601(B,108,138)		RS1/16S473J						

<u>Mark No.</u>	<u>Description</u>	<u>Part No.</u>	<u>Mark No.</u>	<u>Description</u>	<u>Part No.</u>
			CAPACITORS		
	R 2625(A,147,31)	RS1/16S242J	C 2410(A,74,31)		CKSRYB103K50
	R 2626(A,148,45)	RS1/16S242J	C 2411(A,64,41)		CKSRYB103K50
A	R 2627(A,152,36)	RS1/16S101J	C 2412(A,67,49)		CKSRYB103K50
	R 2628(A,153,43)	RS1/16S101J	C 2413(A,82,31)		CKSRYB103K50
	R 2629(A,148,33)	RS1/16S272J	C 2414(A,69,25)		CKSRYB103K50
	R 2630(A,149,43)	RS1/16S272J	C 2415(A,42,41)		CKSRYB103K50
	R 2631(A,145,33)	RS1/16S0R0J	C 2416(A,46,49)		CKSRYB103K50
	R 2632(A,146,43)	RS1/16S0R0J	C 2417(A,87,30)		CKSRYB103K50
	R 2633(A,142,33)	RS1/16S222J	C 2418(A,79,27)		CKSRYB103K50
	R 2634(A,143,43)	RS1/16S222J	C 2419(A,70,60)		CKSRYB103K50
	R 2635(A,141,31)	RS1/16S101J	C 2420(A,74,68)		CKSRYB103K50
	R 2636(A,142,45)	RS1/16S101J	C 2424(A,60,67)		CEAT101M10
	R 2637(B,137,35)	RS1/16S473J	C 2425(A,60,61)		CEAT101M10
B	R 2638(B,137,40)	RS1/16S473J	C 2426(A,60,55)		CEAT101M10
	R 2641(A,154,67)	RS1/16S472J	C 2427(B,41,59)		CKSRYB104K16
	R 2642(A,154,56)	RS1/16S472J	C 2428(B,46,73)		CKSRYB104K16
	R 2643(A,157,67)	RS1/16S101J	C 2429(A,89,26)		CKSRYB103K50
	R 2644(A,157,56)	RS1/16S101J	C 2430(A,81,39)		CEAT100M50
	R 2645(A,144,67)	RS1/16S113J	C 2431(A,45,59)		CEAT101M10
	R 2646(A,144,56)	RS1/16S113J	C 2432(A,42,73)		CEAT101M10
	R 2647(A,142,68)	RS1/16S0R0J	C 2433(A,86,38)		CEAT100M50
	R 2648(A,142,55)	RS1/16S0R0J	C 2438(B,63,123)		CKSRYB103K50
	R 2649(A,144,68)	RS1/16S153J	C 2439(A,47,33)		CKSRYB224K10
	R 2650(A,144,54)	RS1/16S153J	C 2440(A,42,27)		CKSRYB224K10
C	R 2651(A,147,67)	RS1/16S113J	C 2453(B,23,58)		CKSRYB103K50
	R 2652(A,147,56)	RS1/16S113J	C 2454(B,23,30)		CKSRYB103K50
	R 2653(A,151,67)	RS1/16S472J	C 2455(B,23,18)		CKSRYB103K50
	R 2654(A,151,56)	RS1/16S472J	C 2456(B,25,79)		CKSRYB103K50
	R 2655(B,163,64)	RS1/16S474J	C 2457(A,92,38)		CEAT100M50
	R 2656(B,163,58)	RS1/16S474J	C 2460(B,94,18)		CKSRYB104K16
	R 2663(A,191,53)	RS1/16S102J	C 2463(A,79,127)		CKSRYB103K50
	R 2664(A,191,55)	RS1/16S102J	C 2465(B,68,142)		CKSRYB103K50
	R 2670(B,161,85)	RS1/16S0R0J	C 2466(B,68,141)		CKSRYB224K10
	R 2673(B,205,33)	RS1/16S0R0J	C 2467(B,71,142)		CKSRYB152K50
	R 2681(B,135,89)	RS1/16S104J	C 2471(A,49,27)		CEAT101M16
D	R 2682(B,135,85)	RS1/16S104J	C 2472(A,41,23)		CEAT101M16
	R 2683(A,141,95)	RS1/16S102J	C 2474(B,23,72)		CKSRYB474K10
	R 2684(A,141,94)	RS1/16S102J	C 2481(A,74,135)		CKSRYB103K50
	R 2685(B,196,25)	RS1/16S472J	C 2482(B,65,34)		CKSRYB104K16
	R 2686(B,176,25)	RS1/16S472J	C 2483(A,60,25)		CEAT100M50
	R 2687(B,194,25)	RS1/16S101J	C 2484(A,79,117)		CKSRYB103K50
	R 2688(B,178,25)	RS1/16S101J	C 2503(A,164,97)		CEAT4R7M50
	R 2689(A,169,43)	RS1/16S473J	C 2504(A,154,97)		CEAT4R7M50
	R 2690(B,114,31)	RS1/16S473J	C 2511(A,166,111)		CCSRCH101J50
	R 2691(B,116,31)	RS1/16S473J	C 2512(A,152,111)		CCSRCH101J50
E	R 2692(B,110,36)	RS1/16S473J	C 2513(A,161,114)		CKSRYB103K50
	R 2693(A,131,135)	RS1/16S473J	C 2514(A,157,114)		CKSRYB103K50
	R 2694(A,133,134)	RS1/16S471J	C 2515(A,165,115)		CEAT470M25
	R 2695(A,128,135)	RS1/16S473J	C 2516(A,153,115)		CEAT470M25
	R 2696(A,126,134)	RS1/16S471J	C 2527(A,202,97)		CEAT4R7M50
	R 2701(B,149,142)	RS1/16S0R0J	C 2528(A,192,97)		CEAT4R7M50
	R 2771(B,37,148)	RS1/16S0R0J	C 2535(A,204,111)		CCSRCH101J50
	R 2772(B,50,149)	RS1/16S391J	C 2536(A,190,111)		CCSRCH101J50
	R 2777(A,51,125)	RS1/16S102J	C 2537(A,199,114)		CKSRYB103K50
	R 2778(A,51,122)	RS1/16S102J	C 2538(A,195,114)		CKSRYB103K50
F	R 2779(A,38,119)	RS1/16S473J	C 2539(A,203,115)		CEAT470M25
			C 2540(A,191,115)		CEAT470M25
			C 2553(A,183,97)		CEAT4R7M50
			C 2554(A,173,97)		CEAT4R7M50

5		6		7		8	
Mark No.	Description	Part No.	Mark No.	Description	Part No.	Mark No.	Description
C 2561(A,185,111)		CCSRCH101J50	C 2685(A,137,90)		CEAT2R2M50		
C 2562(A,171,111)		CCSRCH101J50	C 2686(A,137,84)		CEAT2R2M50		
C 2563(A,180,114)		CKSRYB103K50	C 2687(A,142,92)		CCSRCH101J50		A
C 2564(A,176,114)		CKSRYB103K50	C 2688(A,142,90)		CCSRCH101J50		
C 2565(A,184,115)		CEAT470M25	C 2695(A,116,92)	ELECT. CAPACITOR	CEAT470M25		
C 2566(A,172,115)		CEAT470M25	C 2696(A,116,85)	ELECT. CAPACITOR	CEAT470M25		
C 2577(A,221,97)		CEAT4R7M50	C 2760(B,41,130)		CKSRYB472K50		
C 2578(A,211,97)		CEAT4R7M50	C 2764(A,39,129)		CCSRCH561J50		
C 2585(A,223,111)		CCSRCH101J50	C 2765(A,37,111)		CEAT101M10		
C 2586(A,209,111)		CCSRCH101J50	C 2766(A,38,118)		CCSRCH102J50		
C 2587(A,218,114)		CKSRYB103K50	C 2767(B,44,114)		CCSRCH270J50		
C 2588(A,214,114)		CKSRYB103K50	C 2768(B,48,113)		CCSRCH270J50		
C 2589(A,222,115)		CEAT470M25	C 2769(A,46,133)		CEAT100M50		
C 2590(A,210,115)		CEAT470M25	C 2771(A,46,144)		CEAT101M16		B
C 2621(A,140,146)		CKSRYB103K50	C 2773(A,40,146)		CEAT101M16		
C 2623(B,169,145)		CKSRYB104K16	C 2779(B,31,89)		CKSRYB104K16		
C 2624(A,131,133)		CKSRYB472K50	C 2783(B,23,117)		CKSRYB104K16		
C 2625(A,128,133)		CKSRYB472K50	C 2784(B,23,116)		CKSRYB471K50		
C 2626(A,191,24)		CEAT2R2M50	C 2785(B,25,133)		CKSRYB104K16		
C 2627(A,183,24)		CEAT2R2M50	C 2786(B,25,135)		CKSRYB471K50		
C 2628(A,193,37)		CEAT100M50	C 2787(B,30,150)		CKSRYB103K50		
C 2629(A,184,37)		CEAT100M50	C 2788(B,30,148)		CKSRYB104K16		
C 2631(A,169,66)		CKSRYB103K50					
C 2632(A,178,56)		CKSRYB103K50					
C 2633(A,144,31)		CCSRCH101J50					C
C 2634(A,145,45)		CCSRCH101J50					
C 2635(A,149,39)		CKSRYB103K50					
C 2636(A,149,35)		CKSRYB103K50					
C 2637(A,139,34)		CEAT100M50					
C 2638(A,140,42)		CEAT100M50					
C 2639(A,154,68)		CCSRCH220J50					
C 2640(A,154,54)		CCSRCH220J50					
C 2641(A,158,60)		CKSRYB103K50					
C 2642(A,151,63)		CKSRYB103K50					
C 2643(A,147,68)		CCSRCH220J50					
C 2644(A,147,54)		CCSRCH220J50					D
C 2645(A,161,65)		CEAT100M50					
C 2646(A,161,57)		CEAT100M50					
C 2647(A,151,60)		CKSRYB103K50					
C 2648(A,144,63)		CKSRYB103K50					
C 2649(B,162,34)		CKSRYB103K50					
C 2650(B,152,45)		CKSRYB103K50					
C 2651(A,142,60)		CKSRYB103K50					
C 2652(A,129,65)		CKSRYB103K50					
C 2661(A,188,59)		CKSRYB103K50					
C 2662(A,195,57)		CKSRYB103K50					
C 2663(A,190,84)		CEAT101M16					
C 2664(A,184,84)		CEAT101M16					
C 2665(A,203,84)		CEAT101M16					
C 2666(A,196,84)		CEAT101M16					
C 2667(A,215,84)		CEAT101M16					
C 2668(A,209,84)		CEAT101M16					
C 2669(A,227,84)		CEAT101M16					
C 2670(A,221,84)		CEAT101M16					
C 2671(A,191,58)		CCSRCH101J50					
C 2672(A,191,56)		CCSRCH101J50					
C 2681(B,143,83)		CKSRYB103K50					F
C 2682(A,153,84)		CEAT100M50					
C 2683(A,160,87)		CEAT2R2M50					
C 2684(A,160,82)		CEAT2R2M50					
DIGITAL MOTHER ASSY							
SEMICONDUCTORS							
			IC 101		PEG395A8		
			IC 102		BU4842F		
			IC 104		BR24L32F-W		
			IC 105,106,111		TC74VHCT08AFTS1		
			IC 109,110,302		TC74VHCT125AFTS1		
			IC 112,305,310-312		TC74VHC08FTS1		
			IC 201		PEG396A		
			IC 202		AYW7180		
			IC 203		TC4094BFN		
			⚠ IC 204		NJM2880U1-33		D
			IC 205		TC74LCX244FTS1		
			IC 206,207,210,301		TC74VHC125FTS1		
			IC 208		TC74VHC02FTS1		
			IC 209		TC74VHC04FTS1		
			IC 303		AK4114VQ		
			IC 304		TC7WHU04FU		
			IC 309,313,314		TC74LCX157FTS1		
			IC 315		TC74LCX541FTS1		
			IC 316,317		ML87V5002		
			⚠ IC 318		NJM2885DL1-33		E
			IC 319		TC7SH08FUS1		
			IC 471		AK5359ET		
			IC 551,651,751,851		DSD1791DBR		
			IC 552,652,752,852		BA4560RF		
			⚠ IC 991		NJM2391DL1-33		
			Q 101-104,106		RT3P22M		
			Q 105,201,301		RT1N241M		
			Q 107		RT1N141M-11		
			Q 108		2SA1602A		
			Q 109		RT1P431M		
			Q 110,111		RT1P241M		
			Q 202		2SA1366		
			D 101,103,104,110		1SS352		

Mark No. Description**Part No.**

D 102,105,108,202 MC2848-11
 D 106 RB520S-30

A D 107 UDZS5R1(B)
 D 109,301 MC2846-11
 D 201 RB501V-40
 D 471,472 DAN217

Mark No. Description**Part No.**

R 247 RS1/16S473J
 R 250,251,261 RS1/16S104J
 R 265-269,275,489 RS1/16S104J
 R 280 RS1/16S182J
 R 301,302 RS1/16S750J

R 303,304 RS1/16S220J
 R 323 RS1/16SS1802F
 R 381,564,664,764 RS1/16S274J
 R 437,444,452 RAB4CQ470J
 R 458,477,481-484 RS1/16S0R0J

MISCELLANEOUS

L 101 CHIP SOLID INDUCTOR QTL1013
 L 103,201 CHIP SOLID INDUCTOR ATL7002
 L 301-305 CHIP SOLID INDUCTOR QTL1013
 L 309-318 CHIP SOLID INDUCTOR QTL1013
 L 471,472 CHIP SOLID INDUCTOR QTL1013

B L 552,561 CHIP SOLID INDUCTOR QTL1013
 L 651,652 CHIP SOLID INDUCTOR QTL1013
 L 751,752 CHIP SOLID INDUCTOR QTL1013
 L 851,852 CHIP SOLID INDUCTOR QTL1013
 JA 201 PIN JACK(2P) AKB7173

JA 202-205 OPT. LINK IN AKS7001
 JA 207,208 OPT. LINK OUT AKS7002
 X 101 RESONATOR CSS1716
 X 201 CERAMIC RESONATOR XSS3004
 X 301 CRYSTAL RESONATOR XSS3003

C CN101,992 13P SOCKET XKP3077
 CN102 CONNECTOR CKS3384
 CN103 31P CONNECTOR VKN1262
 CN104 PLUG CKS1760
 CN201 CONNECTOR CKS1755

CN202,203,991 PLUG CKS1764
 CN204 22P CONNECTOR RKN1063
 CN301 CONNECTOR CKS3815
 CN302 PLUG CKS1762
 CN303,304 26P PLUG AKM7054

RESISTORS

R 103,111,114,117 RAB4CQ101J
 R 104,106,112,120 RS1/16S104J
 R 107,207 RS1/16S512J
 R 118,167,171 RS1/16S222J
 R 119,121,125,134 RAB4CQ101J

R 122,126-128 RS1/16S104J
 R 124,147,152,153 RS1/16S473J
 R 130-133,137,138 RS1/16S104J
 R 142,201,205,213 RAB4CQ101J
 R 143,145,150,157 RS1/16S104J

E R 151,617,618,717 RS1/16S474J
 R 155,203,204,206 RS1/16S473J
 R 162,215,216,248 RS1/16S472J
 R 166,170 RS1/16S153J
 R 177 RS1/16S223J

R 180,182 RS1/16S105J
 R 183,184,192,193 RS1/16S104J
 R 208,241,305-308 RS1/16S101J
 R 209,214,218,220 RS1/16S473J
 R 211 RS1/16S103J

F R 217,219,224,225 RAB4CQ101J
 R 229,236,321 RAB4CQ101J
 R 230,231,235 RS1/16S473J
 R 237-239,242,244 RS1/16S473J
 R 246 RAB4CQ473J

CAPACITORS

C 102,106,110,115 CKSRYB104K16
 C 103,509,510,609 CKSRYB472K50
 C 104,107 CKSRYB105K16
 C 108,213,375 CEHAZL101M10
 C 111,113 CKSSYB103K16

C 112,114 CKSSYB153K16
 C 116,117 CKSRYB473K16
 C 118,481,482,607 CEAT100M50
 C 119 CEAT471M6R3
 C 120,122,125-127 CKSRYB104K16

C 121,301,302,478 CKSRYB103K50
 C 128,203,206,212 CKSSYB104K10
 C 129,317,321,326 CKSSYB471K50
 C 201,204,205,208 CKSRYB104K16
 C 209 CEAT331M10

C 210,215,216,218 CKSRYB104K16
 C 211,374,472 CKSQYB225K10
 C 217,219,228,377 CKSRYB471K50
 C 221-226,316,320 CKSSYB104K10
 C 227,303-308,310 CKSRYB104K16

C 309,473,556,656 CEAT101M16
 C 311,314,364,371 CKSRYB104K16
 C 312 CEJQ470M16
 C 315,319 CEJQ101M6R3
 C 322 CKSRYB474K10

5	6	
<u>Mark No.</u>	<u>Description</u>	<u>Part No.</u>
C 323,324	CCSSCH100D50	
C 325,327,335,337	CKSSYB104K10	
C 328,336,338,340	CKSSYB471K50	
C 339,341,343,345	CKSSYB104K10	
C 342,344,350,352	CKSSYB471K50	
C 346,349,351,353	CKSSYB104K10	
C 347,348,476,553	CEAT101M10	
C 354,358,360,362	CKSSYB471K50	
C 357,359,361,378	CKSSYB104K10	
C 372,376,474,477	CKSRYB104K16	
C 373	CEHAZL221M10	
C 379	CKSSYB471K50	
C 479,555,563,655	CKSRYB103K50	
C 501,502,601,602	CKSRYB102K50	
C 503-506,603,605	CCSRCH331J50	
C 511,512,611,612	CKSRYB104K25	
C 554,557-559,561	CKSRYB104K16	
C 560,653,660,753	CEAT101M10	
C 604,606	CCSRCH221J50	
C 608,707,708,807	CEAT100M50	
C 610,709,710,809	CKSRYB472K50	
C 654,657-659,661	CKSRYB104K16	
C 663,755,763,855	CKSRYB103K50	
C 701,702,801,802	CKSRYB102K50	
C 703-706,803-806	CCSRCH331J50	
C 711,712,811,812	CKSRYB104K25	
C 754,757-759,761	CKSRYB104K16	
C 756,856	CEAT101M16	
C 760,853,860,992	CEAT101M10	
C 808	CEAT100M50	
C 810	CKSRYB472K50	
C 854,857-859,861	CKSRYB104K16	
C 863	CKSRYB103K50	
C 989,990	CKSRYB102K50	
C 991,996,998	CKSRYB104K16	
C 994,995	CKSRYB104K25	
C 997,999	CKSRYB471K50	

M DSP ASSY **SEMICONDUCTORS**

IC 101	ADSP-21366KBCZ-1AA
IC 161,162	TC74VHC573FTS1
IC 163	TC7W139FU
IC 164	AYW7178
IC 165	TC7SH32FUS1
IC 171	CY7C1049D3310VXI
IC 201	DSPC56371AF180
IC 271	PDC163A8
IC 401	TC74VHC08FTS1
⚠ IC 511,521	PQ1LAX95MSPQ
⚠ IC 531	BD9107FVM
IC 751	TC7WHU04FU
Q 751	RT1N241M

MISCELLANEOUS

L 101,102 CHIP SOLID INDUCTOR	QTL1013
L 161-164 CHIP SOLID INDUCTOR	QTL1013
L 171 CHIP SOLID INDUCTOR	QTL1013

7	8	
<u>Mark No.</u>	<u>Description</u>	<u>Part No.</u>
L 201-203	CHIP SOLID INDUCTOR	QTL1013
L 271,401	CHIP SOLID INDUCTOR	QTL1013
L 530	CHIP BEADS	ATL7010
L 531	POWER INDUCTOR	ATH7047
L 751	CHIP SOLID INDUCTOR	QTL1013
X 751	CRYSTAL RESONATOR	VSS1171
CN401,402	26P SOCKET	AKP7198

RESISTORS

R 101-104,161-163	RAB4CQ470J
R 114,204,236	RAB4CQ101J
R 123,220	RAB4CQ220J
R 131,149	RAB4CQ472J
R 152	RS1/16SOR0J
R 219	RAB4CQ103J
R 511	RS1/16SS2002F
R 512,522	RS1/16SS1202F
R 521	RS1/16SS1000F
R 531	RS1/16SS9101F
R 532	RS1/16SS1802F
R 533	RS1/16SS1002F
R 537	RS1/10SOR0J
Other Resistors	RS1/16SS###J

CAPACITORS

C 101,103,105,107	CKSSYB471K50
C 102,104,106,108	CKSSYB104K10
C 109,111,113,115	CKSSYB471K50
C 110,112,114,116	CKSSYB104K10
C 117,127,401,753	CKSSYB471K50
C 118,128,131,133	CKSSYB104K10
C 135,137,139,141	CKSSYB104K10
C 145,228	CKSSYB103K25
C 151,183,231,232	CEVW101M16
C 152	ACH7275
C 161,163,165,168	CKSSYB104K10
C 169,171,173,201	CKSSYB104K10
C 203,205,207,209	CKSSYB104K10
C 211,213,215,217	CKSSYB104K10
C 219,221,223,271	CKSSYB104K10
C 402,754	CKSSYB104K10
C 501,531,711	CEVW101M16
C 511	CKSQYB105K16
C 512,521,522	CKSRYB105K10
C 532,534	DCH1201
C 533	CKSSYB102K50
C 751,752	CCSSCH100D50

N INTERFACE ASSY **MISCELLANEOUS**

⚠ IC 4301(A,269,181) PROTECTOR(1.6A)	AEK7012
⚠ IC 4311(B,210,218) REGULATOR IC	NJM2885DL1-05
Q 4301(B,112,168) CHIP TRANSISTOR	RSR015P03
Q 4302(B,122,172) TRANSISTOR	RT1N241M
Q 4381(B,7,182) TRANSISTOR(SC-70)	2SA1602A
Q 4382(B,20,82) TRANSISTOR(SC-70)	2SA1602A
Q 4383(B,19,92) TRANSISTOR	RT1N241M
Q 4384(B,14,60) TRANSISTOR(SC-70)	2SA1602A
Q 4385(B,13,68) TRANSISTOR	RT1N241M

Mark No.	Description	Part No.
D	4301(B,6,48) DIODE	1SS352
D	4381(B,10,193) DIODE	UDZS5R1(B)
L	4351(B,201,236) INDUCTOR	CTF1385
L	4352(B,208,224) INDUCTOR	CTF1385
L	4356(B,131,221) INDUCTOR	CTF1385
L	4357(B,132,217) INDUCTOR	CTF1385
L	4358(B,132,211) INDUCTOR	CTF1385
L	4359(B,129,211) INDUCTOR	CTF1385
L	4360(B,127,211) INDUCTOR	CTF1385
L	4361(B,35,236) INDUCTOR	CTF1385
L	4362(B,44,237) INDUCTOR	CTF1385
L	4363(B,34,236) INDUCTOR	CTF1385
L	4364(B,137,221) INDUCTOR	CTF1385
L	4365(B,139,217) INDUCTOR	CTF1385
L	4366(B,126,225) INDUCTOR	CTF1385
L	4381(B,29,191) CHIP SOLID INDUCTOR	ATL7002
J	4 4PJUMPER WIRE	D20PDD0420E
J	4308(A,260,196) CONNECTOR ASSY	PF11PG-R05
J	4309(A,232,196) CONNECTOR ASSY	PF08PG-R05
KN	4301(A,151,218) WRAPPING TERMINAL	VNF1084
CN	4301(A,191,232) 13P PLUG	XKP3066
CN	4302(A,184,232) CONNECTOR	CKS1730
CN	4303(A,150,232) CONNECTOR	CKS1730
CN	4304(A,119,232) CONNECTOR	CKS1730
CN	4305(A,76,232) CONNECTOR	CKS1721
CN	4306(A,58,232) CONNECTOR	CKS1728
CN	4307(A,16,230) CONNECTOR	CKS3813
CN	4308(A,79,207) 30P SOCKET	XKP3092
CN	4309(A,41,207) 30P SOCKET	XKP3092
CN	4310(A,192,183) 11P PLUG	XKP3065
CN	4311(A,157,183) PLUG	CKS1724
CN	4312(A,119,183) CONNECTOR	CKS1730
CN	4313(A,67,183) PLUG	CKS1724
CN	4314(A,56,184) 17P PLUG	XKP3068
CN	4315(A,15,185) CONNECTOR(07P)	TUC-P07P-B1
CN	4316(A,36,152) 17P PLUG	XKP3068
CN	4317(A,35,128) 19P PLUG	XKP3069
CN	4318(A,18,106) CONNECTOR(06P)	TUC-P06P-B1
CN	4319(A,34,73) 17P PLUG	XKP3068
CN	4320(A,37,43) 23P PLUG	XKP3071
CN	4321(A,225,228) CONNECTOR	CKS3380
4301(A,205,198)	4P CABLE HOLDER	51048-0400
4306(A,322,199)	PCB BINDER	VEF1040
4305(A,224,197)	PCB BINDER	VEF1040
4304(A,5,5)	PCB BINDER	VEF1040
4302(A,28,197)	4P CABLE HOLDER	51048-0400
Y	19 (A,18,203) 2P HOUSING WIRE ASSY	ADX7578
Y	17 AWG14 BOARD IN	ADX7493
Y	18 (A,9,199) 2P HOUSING WIRE ASSY	ADX7575
4303(A,110,174)	PCB BINDER	VEF1040

RESISTORS

R	4301(B,116,168)	RS1/16S103J
R	4302(B,121,168)	RS1/16S101J
R	4303(B,291,189)	RS1/16S473J
R	4304(B,291,183)	RS1/16S473J
R	4371(B,117,219)	RS1/16S0R0J
R	4372(B,117,221)	RS1/16S0R0J
R	4381(B,8,176)	RS1/16S180J

Mark No.	Description	Part No.
R	4382(B,8,178)	RS1/16S180J
R	4383(B,8,187)	RS1/16S103J
R	4384(B,10,189)	RS1/16S103J
R	4385(B,24,84)	RS1/16S472J
R	4386(B,19,87)	RS1/16S472J
R	4387(B,14,64)	RS1/16S472J
R	4388(B,18,65)	RS1/16S472J

CAPACITORS

C	4301(A,295,191)	CEAT2R2M50
C	4302(A,295,185)	CEAT2R2M50
C	4303(A,134,198) ELECTR. CAPACITOR	CEAL470M25
C	4304(A,151,201) ELECTR. CAPACITOR	CEAL470M25
C	4308(B,110,210)	CKSRBY103K50
C	4311(B,205,213)	CKSRBY474K10
C	4312(B,202,219)	CKSQYB225K10
C	4330(B,153,223)	CKSRBY103K50
C	4331(B,151,223)	CKSRBY471K50
C	4361(B,21,227)	CKSRBY102K50
C	4362(B,12,208)	CKSRBY102K50
C	4365(B,20,208)	CKSRBY102K50
C	4366(B,38,213)	CKSRBY102K50
C	4367(B,26,189)	CKSRBY104K16
C	4368(B,16,158)	CKSRBY104K16
C	4369(B,18,161)	CKSRBY104K16
C	4382(B,10,191)	CKSRBY104K16

POWER AMP IN ASSY MISCELLANEOUS

Q	5601(B,61,180) CHIP TRANSISTOR	2SD2704K
Q	5602(B,41,219) TRANSISTOR	IMT4
Q	5603(B,45,207) CHIP TRANSISTOR	2SA1514K
Q	5604(A,28,206) TRANSISTOR	2SA1145
Q	5605(A,30,225) TRANSISTOR	2SC2705
Q	5641(B,15,213) CHIP TR	2SA1255
D	5601(B,38,205) CHIP ZENER DIODE	UDZS3R6(B)
D	5602(B,38,207) DIODE	1SS355
D	5603(B,26,222) DIODE	1SS355
D	5604(B,28,212) DIODE	1SS355
D	5605(B,28,218) DIODE	UDZS4R7(B)
D	5606(B,26,212) DIODE	UDZS4R7(B)
D	5641(B,11,229) DIODE	1SS355
D	5642(B,13,229) DIODE	1SS355
D	5643(B,9,229) DIODE	1SS355
D	5644(B,45,238) DIODE	1SS355
CN	5601(A,71,233) 13P PLUG	XKP3066
CN	5602(A,56,199) 13P PLUG	XKP3066
CN	5603(A,74,131) 19P CONNECTOR	52044-1945
CN	5605(A,47,233) SOCKET 7-P	KP250NA7
CN	5606(A,32,199) SOCKET 7-P	KP250NA7
5604(A,7,215)	5P CABLE HOLDER	51048-0500

RESISTORS

R	5601(B,58,178)	RS1/16S102J
R	5602(B,48,212)	RS1/16S221J
R	5603(B,48,216)	RS1/16S333J
R	5604(B,58,182)	RS1/16S103J
R	5605(B,41,213)	RS1/16S152J

Mark No.	Description	Part No.
R 5606(B,38,217)		RS1/16S821J
R 5607(B,44,203)		RS1/16S2001F
R 5608(B,43,212)		RS1/16S682J
R 5609(A,36,214)	CARBON FILM RESISTOR	RD1/2VM473J
R 5610(B,32,202)		RS1/16S151J
R 5611(B,29,203)		RN1/16SE1201D
R 5612(B,31,230)		RS1/16S221J
△ R 5623(A,69,206)	CARBON FILM RESISTOR	RD1/4MUF4R7J
△ R 5624(A,56,217)	CARBON FILM RESISTOR	RD1/4MUF4R7J
△ R 5627(A,20,225)	RESISTOR (0.18, 5W)	ACN7121
R 5629(B,43,224)		RN1/10SE3302D
R 5630(B,45,220)		RN1/16SE1001D
R 5631(B,47,220)		RN1/16SE1500D
R 5632(B,29,229)		RS1/16S151J
R 5641(B,7,229)		RS1/16S473J
R 5642(B,13,195)		RS1/16S223J
R 5643(B,15,230)		RS1/16S471J
R 5644(B,15,195)		RS1/16S471J
R 5645(B,11,235)		RS1/16S472J
R 5646(B,13,235)		RS1/16S472J
R 5647(B,15,208)		RS1/16S122J
R 5648(B,48,238)		RS1/16S154J
R 5649(B,50,235)		RS1/16S103J
R 5650(B,52,235)		RS1/16S103J

CAPACITORS

C 5601(A,51,212)		CEAT4R7M50
C 5602(B,46,216)		CCSRCH221J50
C 5604(B,39,213)		CKSRYB102K50
C 5607(A,41,203)		CEAT101M10
C 5608(B,35,228)	CAPACITOR(CERAMIC)	ACG7057
C 5609(A,31,210)	ELECT. CAPACITOR	CEAT100M2A
C 5615(B,47,225)		CCSRCH220J50
C 5616(B,45,225)		CCSRCH220J50
C 5617(A,50,221)		CEAT331M10
C 5623(A,67,209)		CEAT100M63
C 5624(A,63,225)		CEAT100M63
C 5632(B,28,233)		CKSRYB224K16
C 5641(A,13,199)		CEANP2R2M50

P POWER PROTECT ASSY MISCELLANEOUS

IC 5701(B,17,153)	OP-AMP IC	BA4560RF
Q 5701(B,10,107)	TRANSISTOR	RT1N241M
Q 5702(B,20,107)	DIGITAL TR(SC-70)	RT1P241M
Q 5703(B,21,118)	TRANSISTOR	RT1N241M
Q 5704(B,16,166)	TRANSISTOR	2SC4081
Q 5705(B,13,107)	TRANSISTOR	RT1N241M
Q 5706(B,24,107)	DIGITAL TR(SC-70)	RT1P241M
D 5701(B,26,166)	DIODE	1SS355
D 5702(B,7,61)	DIODE	1SS355
CN5701(A,8,97)	11P PLUG	XKP3065
CN5702(A,21,131)	11P PLUG	XKP3065
CN5703(A,46,178)	19P CONNECTOR	52044-1945
CN5704(A,17,181)	CONNECTOR	S5B-PH
CN5705(A,19,39)	17P CONNECTOR	52044-1745
CN5706(A,13,41)	3PIN CONNECTOR	S3B-EH
5701(A,7,47)	PCB BINDER	VEF1040

Mark No.	Description	Part No.
RESISTORS		
R 5701(B,13,118)		RS1/16S562J
R 5702(B,16,118)		RS1/16S562J
R 5703(B,27,88)		RS1/16S473J
R 5705(B,20,81)		RS1/16S0R0J
R 5706(B,18,118)		RS1/16S822J
R 5707(B,20,88)		RS1/16S473J
R 5708(B,25,81)		RS1/16S0R0J
R 5710(B,21,149)		RS1/16S223J
R 5711(B,21,153)		RS1/16S103J
R 5712(B,12,155)		RS1/16S472J
R 5713(B,21,158)		RS1/16S103J
R 5714(B,13,139)		RS1/16S102J
R 5715(B,8,166)		RS1/16S473J
R 5716(B,13,166)		RS1/16S472J
R 5717(B,19,166)		RS1/16S103J
R 5718(B,7,57)		RS1/16S104J
R 5720(B,21,166)		RS1/16S103J
R 5721(B,24,166)		RS1/16S683J
R 5746(B,17,88)		RS1/16S0R0J
R 5747(B,18,107)		RS1/16S0R0J
R 5750(B,26,161)		RS1/16S0R0J

CAPACITORS

C 5701(B,25,88)		CKSRYB104K50
C 5702(B,22,88)		CKSRYB104K50
C 5703(B,24,158)		CKSRYB104K50
C 5704(B,12,151)		CKSRYB104K50
C 5705(B,11,166)		CKSRYB223K50
C 5706(B,14,44)		CKSRYB103K50

Q POWER AMP-L ASSY MISCELLANEOUS

△ IC 5001(A,169,134)	DARLINGTON POWER IC	SAP17N(OY)
△ IC 5002(A,209,134)	DARLINGTON POWER IC	SAP17P(OY)
△ IC 5101(A,105,134)	DARLINGTON POWER IC	SAP17N(OY)
△ IC 5102(A,137,134)	DARLINGTON POWER IC	SAP17P(OY)
△ IC 5201(A,249,134)	DARLINGTON POWER IC	SAP17N(OY)
△ IC 5202(A,281,134)	DARLINGTON POWER IC	SAP17P(OY)
△ IC 5601(A,313,134)	DARLINGTON POWER IC	SAP17N(OY)
Q 5001(B,193,207)	CHIP TRANSISTOR	2SD2704K
Q 5002(B,181,194)	TRANSISTOR	IMT4
Q 5003(B,194,198)	CHIP TRANSISTOR	2SA1514K
Q 5004(A,192,184)	TRANSISTOR	2SA1145
Q 5005(A,168,192)	TRANSISTOR	2SC2705
Q 5041(B,156,195)	CHIP TR	2SA1255
Q 5101(B,136,207)	CHIP TRANSISTOR	2SD2704K
Q 5102(B,124,194)	TRANSISTOR	IMT4
Q 5103(B,137,198)	CHIP TRANSISTOR	2SA1514K
Q 5104(A,135,184)	TRANSISTOR	2SA1145
Q 5105(A,112,192)	TRANSISTOR	2SC2705
Q 5141(B,100,202)	CHIP TR	2SA1255
Q 5201(B,274,206)	CHIP TRANSISTOR	2SD2704K
Q 5202(B,262,193)	TRANSISTOR	IMT4
Q 5203(B,275,197)	CHIP TRANSISTOR	2SA1514K
Q 5204(A,273,183)	TRANSISTOR	2SA1145
Q 5205(A,250,191)	TRANSISTOR	2SC2705
Q 5241(B,238,197)	CHIP TR	2SA1255

Mark No.	Description	Part No.	Mark No.	Description	Part No.
			R	5031(B,180,205)	RN1/16SE1500D
			R	5032(B,167,196)	RS1/16S151J
			R	5041(B,154,169)	RS1/16S473J
A	D 5001(B,197,188) CHIP ZENER DIODE	UDZS3R6(B)			
	D 5002(B,195,188) DIODE	1SS355			
	D 5003(B,187,183) DIODE	1SS355			
	D 5004(B,179,183) DIODE	1SS355	R	5042(B,156,169)	RS1/16S223J
	D 5005(B,184,183) DIODE	UDZS4R7(B)	R	5043(B,152,169)	RS1/16S471J
			R	5044(B,158,169)	RS1/16S471J
	D 5006(B,182,183) DIODE	UDZS4R7(B)	R	5045(B,158,179)	RS1/16S472J
	D 5041(B,156,174) DIODE	1SS355	R	5046(B,161,179)	RS1/16S472J
	D 5042(B,158,174) DIODE	1SS355			
	D 5043(B,158,203) DIODE	1SS355	R	5047(B,157,187)	RS1/16S122J
	D 5044(B,161,170) DIODE	1SS355	R	5048(B,158,183)	RS1/16S154J
			R	5049(B,161,183)	RS1/16S103J
	D 5101(B,141,188) CHIP ZENER DIODE	UDZS3R6(B)	R	5050(B,160,187)	RS1/16S103J
	D 5102(B,139,188) DIODE	1SS355	R	5101(B,143,202)	RS1/16S102J
	D 5103(B,130,183) DIODE	1SS355			
B	D 5104(B,123,183) DIODE	1SS355	R	5102(B,130,202)	RS1/16S221J
	D 5105(B,128,183) DIODE	UDZS4R7(B)	R	5103(B,127,203)	RS1/16S333J
			R	5104(B,143,205)	RS1/16S103J
	D 5106(B,125,183) DIODE	UDZS4R7(B)	R	5105(B,120,192)	RS1/16S152J
	D 5141(B,93,187) DIODE	1SS355	R	5106(B,114,200)	RS1/16S821J
	D 5142(B,96,187) DIODE	1SS355			
	D 5143(B,103,205) DIODE	1SS355	R	5107(B,141,197)	RS1/16S2001F
	D 5144(B,104,182) DIODE	1SS355	R	5108(B,130,194)	RS1/16S682J
			R	5109(A,133,193) CARBON FILM RESISTOR	RD1/2VM473J
	D 5201(B,279,187) CHIP ZENER DIODE	UDZS3R6(B)	R	5110(B,141,183)	RS1/16S151J
	D 5202(B,276,187) DIODE	1SS355	R	5111(B,139,184)	RN1/16SE1201D
	D 5203(B,268,181) DIODE	1SS355			
	D 5204(B,261,181) DIODE	1SS355	R	5112(B,113,197)	RS1/16S221J
C	D 5205(B,266,181) DIODE	UDZS4R7(B)	⚠ R	5113(B,115,150)	RS1/16S330J
			R	5121(B,108,153)	RS1/16S101J
	D 5206(B,263,181) DIODE	UDZS4R7(B)	R	5122(B,129,150)	RS1/16S101J
	D 5241(B,238,173) DIODE	1SS355	⚠ R	5123(A,142,166) CARBON FILM RESISTOR	RD1/4MUF4R7J
	D 5242(B,240,173) DIODE	1SS355			
	D 5243(B,240,202) DIODE	1SS355	⚠ R	5124(A,111,176) CARBON FILM RESISTOR	RD1/4MUF4R7J
	D 5244(B,242,173) DIODE	1SS355	⚠ R	5125(B,99,156) CHIP RESISTOR	ACN7132
			⚠ R	5126(B,136,156) CHIP RESISTOR	ACN7132
	⚠ TH 5001(A,160,229) POSISTOR	PTFM04BH222Q2N34B0	⚠ R	5127(A,136,166) RESISTOR (0.18, 5W)	ACN7121
	⚠ TH 5002(A,240,229) POSISTOR	PTFM04BD222Q2N34B0	R	5129(B,117,203)	RN1/10SE3302D
	CN5001(A,320,205) 13P SOCKET	XKP3077			
	CN5002(A,86,219) 11P SOCKET	XKP3076	R	5130(B,123,203)	RN1/16SE1001D
	CN5003(A,313,196) 7-P PLUG	KM250NA7L	R	5131(B,123,205)	RN1/16SE1500D
D			R	5132(B,110,196)	RS1/16S151J
			R	5141(B,97,182)	RS1/16S473J
			R	5142(B,99,182)	RS1/16S223J
			R	5143(B,95,182)	RS1/16S471J
			R	5144(B,102,182)	RS1/16S471J
			R	5145(B,100,187)	RS1/16S472J
			R	5146(B,102,187)	RS1/16S472J
			R	5147(B,99,195)	RS1/16S122J
			R	5148(B,100,191)	RS1/16S154J
			R	5149(B,102,191)	RS1/16S103J
E	R 5006(B,170,200)	RS1/16S821J	R	5150(B,102,195)	RS1/16S103J
	R 5007(B,197,197)	RS1/16S2001F	R	5201(B,281,201)	RS1/16S102J
	R 5008(B,186,194)	RS1/16S682J	R	5202(B,268,201)	RS1/16S221J
	R 5009(A,189,193) CARBON FILM RESISTOR	RD1/2VM473J			
	R 5010(B,197,183)	RS1/16S151J			
			R	5203(B,265,202)	RS1/16S333J
	R 5011(B,195,184)	RN1/16SE1201D	R	5204(B,281,204)	RS1/16S103J
	R 5012(B,169,197)	RS1/16S221J	R	5205(B,258,191)	RS1/16S152J
	⚠ R 5013(B,183,150)	RS1/16S330J	R	5206(B,252,199)	RS1/16S821J
	R 5021(B,176,153)	RS1/16S101J	R	5207(B,279,196)	RS1/16S2001F
	R 5022(B,190,153)	RS1/16S101J			
	⚠ R 5023(A,198,166) CARBON FILM RESISTOR	RD1/4MUF4R7J	R	5208(B,268,193)	RS1/16S682J
	⚠ R 5024(A,168,176) CARBON FILM RESISTOR	RD1/4MUF4R7J	R	5209(A,271,192) CARBON FILM RESISTOR	RD1/2VM473J
	⚠ R 5025(B,163,156) CHIP RESISTOR	ACN7132	R	5210(B,278,183)	RS1/16S151J
	⚠ R 5026(B,200,156) CHIP RESISTOR	ACN7132	R	5211(B,276,183)	RN1/16SE1201D
F	⚠ R 5027(A,192,166) RESISTOR (0.18, 5W)	ACN7121	R	5212(B,251,196)	RS1/16S221J
	R 5029(B,174,203)	RN1/10SE3302D	⚠ R	5213(B,259,149)	RS1/16S330J
	R 5030(B,180,203)	RN1/16SE1001D	R	5221(B,251,153)	RS1/16S101J

RESISTORS

Mark No.	Description	Part No.
R 5222(B,269,153)		RS1/16S101J
△ R 5223(A,280,164)	CARBON FILM RESISTOR	RD1/4MUF4R7J
△ R 5224(A,250,175)	CARBON FILM RESISTOR	RD1/4MUF4R7J
△ R 5225(B,238,156)	CHIP RESISTOR	ACN7132
△ R 5226(B,279,156)	CHIP RESISTOR	ACN7132
△ R 5227(A,274,165)	RESISTOR (0.18, 5W)	ACN7121
R 5229(B,255,202)		RN1/10SE3302D
R 5230(B,261,202)		RN1/16SE1001D
R 5231(B,261,204)		RN1/16SE1500D
R 5232(B,248,195)		RS1/16S151J
R 5241(B,237,169)		RS1/16S473J
R 5242(B,239,169)		RS1/16S223J
R 5243(B,235,169)		RS1/16S471J
R 5244(B,241,169)		RS1/16S471J
R 5245(B,240,180)		RS1/16S472J
R 5246(B,242,180)		RS1/16S472J
R 5247(B,240,189)		RS1/16S122J
R 5248(B,237,180)		RS1/16S154J
R 5249(B,242,184)		RS1/16S103J
R 5250(B,240,184)		RS1/16S103J
△ R 5292(B,300,156)	CHIP RESISTOR	ACN7132
△ R 5613(B,314,153)		RS1/16S330J
R 5621(B,308,151)		RS1/16S101J

CAPACITORS

C 5001(A,190,203)		CEAT4R7M50
C 5002(B,184,200)		CCSRCH221J50
C 5004(B,174,197)		CKSRYB102K50
C 5007(A,202,193)		CEAT101M10
C 5008(B,171,197)	CAPACITOR(CERAMIC)	ACG7057
C 5009(A,186,188)	ELECT. CAPACITOR	CEAT100M2A
C 5011(B,169,142)	CAPACITOR(CERAMIC)	ACG7056
C 5012(B,197,142)	CAPACITOR(CERAMIC)	ACG7056
C 5015(B,175,205)		CCSRCH220J50
C 5016(B,175,207)		CCSRCH220J50
C 5017(A,179,207)		CEAT331M10
C 5023(A,197,180)		CEAT100M63
C 5024(A,173,186)		CEAT100M63
C 5032(B,166,199)		CKSRYB224K16
C 5041(A,155,190)		CEANP2R2M50
C 5051(A,219,183)	ELECT. CAPACITOR	CEAT100M2A
C 5052(A,223,177)	ELECT. CAPACITOR	CEAT100M2A
C 5101(A,133,203)		CEAT4R7M50
C 5102(B,127,200)		CCSRCH221J50
C 5104(B,117,197)		CKSRYB102K50
C 5107(A,145,193)		CEAT101M10
C 5108(B,115,197)	CAPACITOR(CERAMIC)	ACG7057
C 5109(A,129,188)	ELECT. CAPACITOR	CEAT100M2A
C 5111(B,101,142)	CAPACITOR(CERAMIC)	ACG7056
C 5112(B,130,142)	CAPACITOR(CERAMIC)	ACG7056
C 5115(B,119,205)		CCSRCH220J50
C 5116(B,119,207)		CCSRCH220J50
C 5117(A,123,207)		CEAT331M10
C 5123(A,141,180)		CEAT100M63
C 5124(A,116,186)		CEAT100M63
C 5132(B,110,199)		CKSRYB224K16
C 5141(A,96,198)		CEANP2R2M50
C 5201(A,271,202)		CEAT4R7M50
C 5202(B,265,199)		CCSRCH221J50
C 5204(B,255,196)		CKSRYB102K50

Mark No.	Description	Part No.
C 5207(A,283,192)		CEAT101M10
C 5208(B,253,196)	CAPACITOR(CERAMIC)	ACG7057
C 5209(A,267,187)	ELECT. CAPACITOR	CEAT100M2A
C 5211(B,244,142)	CAPACITOR(CERAMIC)	ACG7056
C 5212(B,275,142)	CAPACITOR(CERAMIC)	ACG7056
C 5215(B,257,204)		CCSRCH220J50
C 5216(B,257,206)		CCSRCH220J50
C 5217(A,261,206)		CEAT331M10
C 5223(A,287,181)		CEAT100M63
C 5224(A,255,185)		CEAT100M63
C 5232(B,248,198)		CKSRYB224K16
C 5241(A,237,192)		CEANP2R2M50
C 5611(B,307,142)	CAPACITOR(CERAMIC)	ACG7056

POWER AMP-R ASSY MISCELLANEOUS

△ IC 5301(A,197,112)	DARLINGTON POWER IC	SAP17N(OY)
△ IC 5302(A,157,112)	DARLINGTON POWER IC	SAP17P(OY)
△ IC 5401(A,125,112)	DARLINGTON POWER IC	SAP17N(OY)
△ IC 5402(A,93,112)	DARLINGTON POWER IC	SAP17P(OY)
△ IC 5501(A,269,112)	DARLINGTON POWER IC	SAP17N(OY)
△ IC 5502(A,237,112)	DARLINGTON POWER IC	SAP17P(OY)
△ IC 5602(A,301,112)	DARLINGTON POWER IC	SAP17P(OY)
Q 5301(B,196,38)	CHIP TRANSISTOR	2SD2704K
Q 5302(B,187,52)	TRANSISTOR	IMT4
Q 5303(B,173,49)	CHIP TRANSISTOR	2SA1514K
Q 5304(A,176,63)	TRANSISTOR	2SA1145
Q 5305(A,199,49)	TRANSISTOR	2SC2705
Q 5341(B,152,48)	CHIP TR	2SA1255
Q 5401(B,132,38)	CHIP TRANSISTOR	2SD2704K
Q 5402(B,126,52)	TRANSISTOR	IMT4
Q 5403(B,113,48)	CHIP TRANSISTOR	2SA1514K
Q 5404(A,119,64)	TRANSISTOR	2SA1145
Q 5405(A,139,49)	TRANSISTOR	2SC2705
Q 5441(B,94,46)	CHIP TR	2SA1255
Q 5501(B,285,38)	CHIP TRANSISTOR	2SD2704K
Q 5502(B,276,52)	TRANSISTOR	IMT4
Q 5503(B,262,49)	CHIP TRANSISTOR	2SA1514K
Q 5504(A,260,63)	TRANSISTOR	2SA1145
Q 5505(A,288,49)	TRANSISTOR	2SC2705
Q 5541(B,239,49)	CHIP TR	2SA1255
Q 5571(B,225,38)	TRANSISTOR	2SC4081
Q 5572(B,222,38)	TRANSISTOR	2SC4081
D 5301(B,171,57)	CHIP ZENER DIODE	UDZS3R6(B)
D 5302(B,173,59)	DIODE	1SS355
D 5303(B,181,64)	DIODE	1SS355
D 5304(B,187,64)	DIODE	1SS355
D 5305(B,183,64)	DIODE	UDZS4R7(B)
D 5306(B,185,64)	DIODE	UDZS4R7(B)
D 5341(B,153,67)	DIODE	1SS355
D 5342(B,151,67)	DIODE	1SS355
D 5343(B,151,44)	DIODE	1SS355
D 5344(B,155,70)	DIODE	1SS355
D 5401(B,114,59)	CHIP ZENER DIODE	UDZS3R6(B)
D 5402(B,116,60)	DIODE	1SS355
D 5403(B,124,64)	DIODE	1SS355
D 5404(B,130,64)	DIODE	1SS355
D 5405(B,126,64)	DIODE	UDZS4R7(B)

Mark No.	Description	Part No.	Mark No.	Description	Part No.
D	5406(B,128,64) DIODE	UDZS4R7(B)	R	5405(B,134,55)	RS1/16S152J
D	5441(B,93,58) DIODE	1SS355	R	5406(B,134,52)	RS1/16S821J
D	5442(B,90,58) DIODE	1SS355			
A			R	5407(B,109,48)	RS1/16S2001F
D	5443(B,94,40) DIODE	1SS355	R	5408(B,120,52)	RS1/16S682J
D	5444(B,111,79) DIODE	1SS355	R	5409(A,117,48) CARBON FILM RESISTOR	RD1/2VM473J
D	5501(B,255,57) CHIP ZENER DIODE	UDZS3R6(B)	R	5410(B,114,65)	RS1/16S151J
D	5502(B,257,59) DIODE	1SS355	R	5411(B,116,64)	RN1/16SE1201D
D	5503(B,265,64) DIODE	1SS355			
			R	5412(B,141,52)	RS1/16S221J
D	5504(B,271,64) DIODE	1SS355	△ R	5413(B,115,97)	RS1/16S330J
D	5505(B,267,64) DIODE	UDZS4R7(B)	R	5421(B,128,93)	RS1/16S101J
D	5506(B,269,64) DIODE	UDZS4R7(B)	R	5422(B,108,93)	RS1/16S101J
D	5541(B,240,71) DIODE	1SS355	△ R	5423(A,111,75) CARBON FILM RESISTOR	RD1/4MUF4R7J
D	5542(B,238,71) DIODE	1SS355			
B			△ R	5424(A,142,83) CARBON FILM RESISTOR	RD1/4MUF4R7J
D	5543(B,242,46) DIODE	1SS355	△ R	5425(B,135,91) CHIP RESISTOR	ACN7132
D	5544(B,242,73) DIODE	1SS355	△ R	5426(B,96,91) CHIP RESISTOR	ACN7132
△ TH	5301(A,166,17) POSISTOR	PTFM04BH222Q2N34B0	△ R	5427(A,118,80) RESISTOR (0.18, 5W)	ACN7121
CN	5301(A,320,26) 13P SOCKET	XKP3077	R	5429(B,114,44)	RN1/10SE3302D
CN	5302(A,86,40) 11P SOCKET	XKP3076			
			R	5430(B,118,45)	RN1/16SE1001D
			R	5431(B,118,43)	RN1/16SE1500D
			R	5432(B,143,49)	RS1/16S151J
			R	5441(B,99,85)	RS1/16S473J
			R	5442(B,97,85)	RS1/16S223J
			R	5443(B,101,85)	RS1/16S471J
			R	5444(B,95,85)	RS1/16S471J
			R	5445(B,91,52)	RS1/16S472J
			R	5446(B,91,50)	RS1/16S472J
			R	5447(B,90,46)	RS1/16S122J
			R	5448(B,94,51)	RS1/16S154J
			R	5449(B,96,51)	RS1/16S103J
			R	5450(B,98,46)	RS1/16S103J
			R	5501(B,292,43)	RS1/16S102J
			R	5502(B,280,42)	RS1/16S221J
			R	5503(B,276,41)	RS1/16S333J
			R	5504(B,292,40)	RS1/16S103J
			R	5505(B,283,55)	RS1/16S152J
			R	5506(B,283,52)	RS1/16S821J
			R	5507(B,258,48)	RS1/16S2001F
			R	5508(B,269,52)	RS1/16S682J
			R	5509(A,266,48) CARBON FILM RESISTOR	RD1/2VM473J
			R	5510(B,255,63)	RS1/16S151J
			R	5511(B,257,63)	RN1/16SE1201D
			R	5512(B,290,52)	RS1/16S221J
			△ R	5513(B,259,97)	RS1/16S330J
			R	5521(B,270,94)	RS1/16S101J
			R	5522(B,251,93)	RS1/16S101J
			△ R	5523(A,247,69) CARBON FILM RESISTOR	RD1/4MUF4R7J
			△ R	5524(A,283,82) CARBON FILM RESISTOR	RD1/4MUF4R7J
			△ R	5525(B,277,91) CHIP RESISTOR	ACN7132
			△ R	5526(B,238,91) CHIP RESISTOR	ACN7132
			△ R	5527(A,258,80) RESISTOR (0.18, 5W)	ACN7121
			R	5529(B,268,45)	RN1/10SE3302D
			R	5530(B,272,46)	RN1/16SE1001D
			R	5531(B,272,43)	RN1/16SE1500D
			R	5532(B,292,49)	RS1/16S151J
			R	5541(B,241,77)	RS1/16S473J
			R	5542(B,235,77)	RS1/16S223J
			R	5543(B,239,77)	RS1/16S471J
			R	5544(B,237,77)	RS1/16S471J
			R	5545(B,240,64)	RS1/16S472J
			R	5546(B,238,64)	RS1/16S472J

RESISTORS

R	5301(B,203,43)	RS1/16S102J
R	5302(B,191,42)	RS1/16S221J
R	5303(B,187,41)	RS1/16S333J
R	5304(B,203,40)	RS1/16S103J
R	5305(B,194,55)	RS1/16S152J
R	5306(B,194,52)	RS1/16S821J
R	5307(B,169,48)	RS1/16S2001F
R	5308(B,180,52)	RS1/16S682J
R	5309(A,177,48) CARBON FILM RESISTOR	RD1/2VM473J
R	5310(B,171,64)	RS1/16S151J
R	5311(B,173,63)	RN1/16SE1201D
R	5312(B,202,52)	RS1/16S221J
△ R	5313(B,183,97)	RS1/16S330J
R	5321(B,190,93)	RS1/16S101J
R	5322(B,176,93)	RS1/16S101J

△ R	5323(A,163,72) CARBON FILM RESISTOR	RD1/4MUF4R7J
△ R	5324(A,198,83) CARBON FILM RESISTOR	RD1/4MUF4R7J
△ R	5325(B,203,90) CHIP RESISTOR	ACN7132
△ R	5326(B,166,91) CHIP RESISTOR	ACN7132
△ R	5327(A,174,80) RESISTOR (0.18, 5W)	ACN7121

R	5329(B,179,45)	RN1/10SE3302D
R	5330(B,183,46)	RN1/16SE1001D
R	5331(B,183,43)	RN1/16SE1500D
R	5332(B,203,49)	RS1/16S151J
R	5341(B,153,77)	RS1/16S473J

R	5342(B,151,77)	RS1/16S223J
R	5343(B,153,73)	RS1/16S471J
R	5344(B,151,73)	RS1/16S471J
R	5345(B,152,60)	RS1/16S472J
R	5346(B,150,60)	RS1/16S472J

R	5347(B,147,58)	RS1/16S122J
R	5348(B,151,55)	RS1/16S154J
R	5349(B,151,57)	RS1/16S103J
R	5350(B,156,46)	RS1/16S103J
R	5401(B,138,43)	RS1/16S102J

R	5402(B,126,42)	RS1/16S221J
R	5403(B,123,41)	RS1/16S333J
R	5404(B,138,40)	RS1/16S103J

Mark No.	Description	Part No.
R 5547(B,238,57)		RS1/16S122J
R 5548(B,235,68)		RS1/16S154J
R 5549(B,235,64)		RS1/16S103J
R 5550(B,245,45)		RS1/16S103J
R 5571(B,228,38)		RS1/16S472J
△ R 5592(B,301,91)	CHIP RESISTOR	ACN7132
R 5622(B,308,96)		RS1/16S101J

CAPACITORS

C 5301(A,194,43)		CEAT4R7M50
C 5302(B,187,43)		CCSRCH221J50
C 5304(B,198,55)		CKSRYB102K50
C 5307(A,164,52)		CEAT101M10
C 5308(B,198,52)	CAPACITOR(CERAMIC)	ACG7057
C 5309(A,181,58)	ELECT. CAPACITOR	CEAT100M2A
C 5311(B,197,104)	CAPACITOR(CERAMIC)	ACG7056
C 5312(B,170,104)	CAPACITOR(CERAMIC)	ACG7056
C 5315(B,179,43)		CCSRCH220J50
C 5316(B,174,43)		CCSRCH220J50
C 5317(A,179,39)		CEAT331M10
C 5323(A,160,63)		CEAT100M63
C 5324(A,191,61)		CEAT100M63
C 5332(B,204,52)		CKSRYB224K16
C 5341(A,147,62)		CEANP2R2M50
C 5351(A,228,68)	ELECT. CAPACITOR	CEAT100M2A
C 5352(A,224,62)	ELECT. CAPACITOR	CEAT100M2A
C 5401(A,129,43)		CEAT4R7M50
C 5402(B,123,43)		CCSRCH221J50
C 5404(B,138,55)		CKSRYB102K50
C 5407(A,105,52)		CEAT101M10
C 5408(B,138,52)	CAPACITOR(CERAMIC)	ACG7057
C 5409(A,125,59)	ELECT. CAPACITOR	CEAT100M2A
C 5411(B,130,104)	CAPACITOR(CERAMIC)	ACG7056
C 5412(B,101,104)	CAPACITOR(CERAMIC)	ACG7056
C 5415(B,114,42)		CCSRCH220J50
C 5416(B,109,43)		CCSRCH220J50
C 5417(A,114,39)		CEAT331M10
C 5423(A,107,61)		CEAT100M63
C 5424(A,135,61)		CEAT100M63
C 5432(B,143,52)		CKSRYB224K16
C 5441(A,87,45)		CEANP2R2M50
C 5501(A,283,43)		CEAT4R7M50
C 5502(B,276,43)		CCSRCH221J50
C 5504(B,287,55)		CKSRYB102K50
C 5507(A,253,52)		CEAT101M10
C 5508(B,287,52)	CAPACITOR(CERAMIC)	ACG7057
C 5509(A,265,58)	ELECT. CAPACITOR	CEAT100M2A
C 5511(B,272,104)	CAPACITOR(CERAMIC)	ACG7056
C 5512(B,245,104)	CAPACITOR(CERAMIC)	ACG7056
C 5515(B,268,43)		CCSRCH220J50
C 5516(B,263,43)		CCSRCH220J50
C 5517(A,268,39)		CEAT331M10
C 5523(A,244,59)		CEAT100M63
C 5524(A,280,61)		CEAT100M63
C 5532(B,293,52)		CKSRYB224K16
C 5541(A,238,54)		CEANP2R2M50
C 5571(A,231,35)		CEAT331M10
C 5612(B,307,104)	CAPACITOR(CERAMIC)	ACG7056

Mark No.	Description	Part No.
S LOCAL SUPPLY ASSY		
MISCELLANEOUS		
IC 6101(A,149,69)	IC	NJM78M06FA
△ IC 6102(A,149,19)	REGULATOR IC	NJM78M56FA
△ IC 6103(A,11,64)	REGULATOR IC	NJM78M12FA
△ IC 6104(A,11,39)	REGULATOR IC	NJM78M12FA
△ IC 6105(A,149,44)	IC	NJM79M05FA

△ IC 6106(A,11,14)	REGULATOR IC	NJM79M12FA
△ IC 6108(A,51,61)	PROTECTOR(1.6A)	AEK7012
△ IC 6110(A,47,95)	IC PROTECTOR	ICP-N10
Q 6101(B,40,96)	TRANSISTOR	UMD2N
Q 6102(B,56,82)	TRANSISTOR	RT1N241M

△ Q 6103(A,11,89)	TRANSISTOR	2SD1763A
△ D 6101(A,111,50)	DIODE	D3SBA20(B)
△ D 6102(B,65,61)	DIODE	1SR154-400
△ D 6103(B,56,61)	DIODE	1SR154-400
△ D 6104(B,61,61)	DIODE	1SR154-400

D 6105(B,86,72)	DIODE	UDZS6R2(B)
D 6106(B,88,77)	DIODE	UDZS6R2(B)
D 6107(B,85,77)	DIODE	UDZS6R2(B)
D 6108(B,94,80)	DIODE	UDZS6R2(B)
D 6109(B,88,90)	DIODE	UDZS6R2(B)

D 6110(B,40,81)	DIODE	UDZS27(B)
D 6111(B,140,68)	CHIP DIODE	RB501V-40
D 6115(B,26,71)	CHIP DIODE	RB501V-40
△ D 6119(B,47,73)	DIODE	1SR154-400
△ D 6120(B,52,73)	DIODE	1SR154-400

D 6121(B,141,10)	CHIP DIODE	RB501V-40
△ D 6122(B,59,39)	DIODE	1SR154-400
△ D 6123(B,63,39)	DIODE	1SR154-400
D 6124(B,142,39)	CHIP DIODE	RB501V-40
D 6125(B,149,50)	DIODE	1SS352

D 6126(B,18,43)	CHIP DIODE	RB501V-40
△ D 6127(B,63,26)	DIODE	1SR154-400
△ D 6128(B,59,26)	DIODE	1SR154-400
D 6129(B,18,16)	CHIP DIODE	RB501V-40
J 2	JUMPER WIRE	D20PDY0415E

J 6104(A,70,95)	CONNECTOR ASS'Y	PF05PG-Q12
CN6101(A,112,73)	PLUG(12P)	KM200NA12
CN6103(A,91,93)	6P JUMPER CONNECTOR	52147-0610
CN6105(A,60,8)	PLUG(8P)	KM200NA8
CN6106(A,87,8)	PLUG(11P)	KM200NA11

6102(A,121,89)	4P CABLE HOLDER	51048-0400
6101(A,100,65)	PCB BINDER	VEF1040

RESISTORS

R 6101(B,75,71)		RS1/16S473J
△ R 6103(A,76,77)	CARBON FILM RESISTOR	RD1/4MUF391J
R 6105(B,40,87)		RS1/16S472J
R 6106(B,68,83)		RS1/16S222J
R 6108(B,37,87)		RS1/16S101J
R 6111(B,68,39)		RS1/16S0R0J

CAPACITORS

C 6101(A,120,76)	FILM CAPACITOR	CQMB A104J50
C 6103(B,95,89)		CKSRYB103K50
C 6105(B,146,72)		CKSRYB103K50
C 6106(A,68,30)	FILM CAPACITOR	CQMB A102J50
C 6107(A,110,61)	FILM CAPACITOR	CQMB A102J50

Mark No.	Description	Part No.
C	6110(B,145,22)	CKSRYB103K50
C	6111(B,142,46)	CKSRYB103K50
C	6112(B,14,63)	CKSRYB103K50
A	6115(B,15,37)	CKSRYB103K50
C	6116(B,14,11)	CKSRYB103K50
C	6117(A,63,52) ELECT. CAPACITOR	CEANP101M35
C	6118(A,44,68) ELECT. CAPACITOR	CEANP102M16
C	6120(A,62,81) ELECT. CAPACITOR	CEANP470M25
C	6122(A,60,71) ELECT. CAPACITOR	CEAT101M35
C	6123(A,71,70)	CEAT221M35
C	6124(A,91,72)	CEAT470M50
C	6125(A,84,89)	CEAT101M16
C	6126(A,46,83) ELECT. CAPACITOR	CEAT102M35
C	6127(A,112,37) ELECT. CAPACITOR	CEAT682M16
B	6128(A,39,84)	CEAT100M50
C	6129(A,144,58)	CEAT221M16
C	6130(A,141,19)	CEAT101M16
C	6131(A,94,37) ELECT. CAPACITOR	CEAT222M16
C	6132(A,48,51) ELECT. CAPACITOR	CEAT222M25
C	6133(A,144,31)	CEAT101M16
C	6134(A,16,68)	CEAT100M50
C	6135(A,18,52)	CEAT221M25
C	6136(A,48,34) ELECT. CAPACITOR	CEAT222M25
C	6137(A,18,27)	CEAT221M25
C	6138(B,16,89)	CKSRYB102K50
C	6139(A,56,90)	CEAT100M50

T DC/DC ASSY

MISCELLANEOUS

△ IC	4271(A,112,80) REGULATOR IC	PQ1CG3032FZ
△ D	4271(A,68,85) DIODE	D3SBA20(B)
△ D	4272(B,124,76) DIODE	RB051L-40
△ D	4273(B,115,53) DIODE	PTZ6R8(B)
L	4271(A,131,65) INDUCTOR	ATH7044

D	CN4271(A,60,53) 4PJUMPER CONNECTOR	52151-0410
	CN4272(A,102,57) CONNECTOR	B2PS-VH
	4273(A,62,68) PCB BINDER	VEF1040

RESISTORS

R	4272(B,128,85)	RN1/16SE1001D
R	4273(B,128,81)	RN1/16SE3001D
R	4274(B,130,74)	RS1/16S101J

CAPACITORS

E	C	4272(A,92,65) ELECT. CAPACITOR	CEAT103M16
	C	4273(A,120,55) ELECT. CAPACITOR	CEHAZL102M6R3
	C	4274(A,62,70) ELECT. CAPACITOR	CEHAZL102M16
	C	4278(A,73,61) FILM CAPACITOR	CQMBA102J50
	C	4281(B,119,76)	CKSRYB104K16
	C	4282(B,111,54)	CKSYB104K25

U TRANS 2-1 ASSY

MISCELLANEOUS

F	△ IC	4201(A,111,106) PROTECTOR(7A)	AEK7021
	△ IC	4202(A,95,152) PROTECTOR(7A)	AEK7021
	Q	4201(B,90,97) CHIP TRANSISTOR	RN1901
	Q	4202(B,81,97) TRANSISTOR	RT3T22M
	Q	4203(B,73,97) TRANSISTOR	RT3T22M

Mark No.	Description	Part No.
△ D	4201(B,100,140) BRIDGE DIODE	S1WB(A)60SD
D	4203(B,98,105) DIODE	UDZS8R2(B)
D	4204(B,71,105) DIODE	UDZS7R5(B)
D	4205(B,100,105) DIODE	UDZS9R1(B)
D	4206(B,71,102) DIODE	UDZS8R2(B)
D	4207(B,100,99) DIODE	UDZS9R1(B)
D	4208(B,76,104) DIODE	UDZS8R2(B)
D	4209(B,96,99) DIODE	UDZS6R8(B)
D	4210(B,76,101) DIODE	UDZS6R8(B)
D	4211(B,94,102) DIODE	UDZS13(B)
D	4212(B,81,101) DIODE	UDZS15(B)
D	4213(B,96,104) DIODE	UDZS15(B)
D	4214(B,81,104) DIODE	UDZS15(B)
D	4215(B,77,95) DIODE	UDZS13(B)
D	4216(B,68,94) DIODE	UDZS13(B)
J	4201 JUMPER WIRE	D20PDY0610E
	4201(A,73,128) 6P CABLE HOLDER	51048-0600

RESISTORS

△ R	4205(A,85,129) METAL OXIDE RESISTOR	RS1LMF472J
△ R	4206(A,71,109) METAL OXIDE RESISTOR	RS1LMF472J
△ R	4207(A,88,126) METAL OXIDE RESISTOR	RS1/2LMF332J
△ R	4208(A,75,106) METAL OXIDE RESISTOR	RS1/2LMF332J

CAPACITORS

C	4205(A,91,136) ELECT. CAPACITOR	CEAT471M2A
C	4206(A,81,149) ELECT. CAPACITOR	CEAT471M2A
C	4207(A,94,119) ELECT. CAPACITOR	CEAT101M63
C	4208(A,94,108) ELECT. CAPACITOR	CEAT101M63
C	4209(A,65,132) ELECT. CAPACITOR	CEAT221M2A
C	4210(A,72,120) ELECT. CAPACITOR	CEAT221M2A

V VH TR ASSY

MISCELLANEOUS

△ IC	4261(A,37,16) IC PROTECTOR	ICP-N15
△ IC	4262(A,21,16) IC PROTECTOR	ICP-N15
△ Q	4261(A,36,31) TRANSISTOR	2SD1763A
△ Q	4262(A,21,31) TRANSISTOR	2SB1186A
△ Q	4263(B,30,20) CHIP TRANSISTOR	2SC3906K
△ Q	4264(B,15,20) CHIP TRANSISTOR	2SA1514K
△ D	4261(B,42,16) DIODE	1SR154-400
△ D	4262(B,26,19) DIODE	1SR154-400
	CN4261(A,23,9) 6P JUMPER CONNECTOR	52147-0610

RESISTORS

R	4261(B,29,24)	RS1/16S100J
R	4262(B,14,24)	RS1/16S100J
R	4263(B,30,15)	RS1/16S471J
R	4264(B,14,13)	RS1/16S471J

W DIODE ASSY

MISCELLANEOUS

△ D	4251(A,189,128) DIODE	D5SBA20(B)
△ D	4252(A,154,128) DIODE	D5SBA20(B)

5
Mark No. Description Part No.

RESISTORS

⚠ R 4251(A,182,147) CARBON FILM RESISTOR RD1/4MUF100J

CAPACITORS

C 4251(A,171,143) FILM CAPACITOR CFTLA104J2A
 C 4252(A,176,148) FILM CAPACITOR CFTLA104J2A

X SP/PS ASSY

MISCELLANEOUS

Q 4001(B,150,72) TRANSISTOR RT1N140M
 Q 4002(B,229,97) TRANSISTOR RT1N140M
 Q 4003(B,247,90) TRANSISTOR RT1N140M
 Q 4004(B,290,84) TRANSISTOR RT1N140M
 Q 4005(B,212,99) TRANSISTOR RT1N140M

D 4001(B,168,80) DIODE 1SS352
 D 4002(B,165,80) DIODE 1SS352
 D 4003(B,216,88) DIODE 1SS352
 D 4004(B,213,88) DIODE 1SS352
 D 4005(B,247,82) DIODE 1SS352

D 4006(B,244,82) DIODE 1SS352
 D 4007(B,291,79) DIODE 1SS352
 D 4008(B,289,79) DIODE 1SS352
 D 4009(B,217,99) DIODE 1SS352
 D 4010(B,215,99) DIODE 1SS352

L 4011(A,188,78) COIL ATH1053
 L 4021(A,149,68) COIL ATH1053
 L 4031(A,199,83) COIL ATH1053
 L 4041(A,258,82) COIL ATH1053
 L 4051(A,236,90) COIL ATH1053

L 4061(A,299,81) COIL ATH1053
 L 4071(A,280,84) COIL ATH1053
 J 4009(A,147,76) CONNECTOR ASS'Y PF13PG-R12
 RY 4001(A,163,81) RELAY ASR7001
 RY 4002(A,211,89) RELAY ASR7001

RY 4003(A,242,83) RELAY ASR7001
 RY 4004(A,286,82) RELAY ASR7001
 RY 4005(A,219,103) RELAY ASR7001
 CN4001(A,185,33) SP TERMINAL 6-P(V0) XKE3018
 CN4002(A,248,33) SP TERMINAL 8-P(V0) XKE3017

CN4007(A,313,90) CONNECTOR(05P) TUC-P05P-B1
 CN4008(A,313,152) CONNECTOR(09P) TUC-P09P-B1
 Y 13 AWG14 BOARD IN ADX7461

RESISTORS

⚠ R 4011(A,187,68) METAL OXIDE RESISTOR RS1/2LMF4R7J
 ⚠ R 4012(A,175,64) METAL OXIDE RESISTOR RS1LMF100J
 ⚠ R 4013(A,193,94) METAL OXIDE RESISTOR RS2LMF331J
 ⚠ R 4021(A,158,70) METAL OXIDE RESISTOR RS1/2LMF4R7J
 ⚠ R 4022(A,145,58) METAL OXIDE RESISTOR RS1LMF100J

⚠ R 4023(A,188,97) METAL OXIDE RESISTOR RS2LMF331J
 ⚠ R 4031(A,196,87) METAL OXIDE RESISTOR RS1/2LMF4R7J
 ⚠ R 4032(A,194,67) METAL OXIDE RESISTOR RS1LMF100J
 ⚠ R 4041(A,254,82) METAL OXIDE RESISTOR RS1/2LMF4R7J
 ⚠ R 4042(A,267,67) METAL OXIDE RESISTOR RS1LMF100J

⚠ R 4051(A,240,93) METAL OXIDE RESISTOR RS1/2LMF4R7J
 ⚠ R 4052(A,228,67) METAL OXIDE RESISTOR RS1LMF100J
 ⚠ R 4061(A,309,79) METAL OXIDE RESISTOR RS1/2LMF4R7J
 ⚠ R 4062(A,313,73) METAL OXIDE RESISTOR RS1LMF100J
 ⚠ R 4071(A,280,88) METAL OXIDE RESISTOR RS1/2LMF4R7J

7
Mark No. Description Part No.

⚠ R 4072(A,268,94) METAL OXIDE RESISTOR RS1LMF100J
 ⚠ R 4101(A,222,115) CARBON FILM RESISTOR RD1/4MUF473J
 ⚠ R 4102(A,252,115) CARBON FILM RESISTOR RD1/4MUF473J

CAPACITORS

C 4001(A,162,88) CEAT101M50
 C 4011(A,182,60) CFTLA104J50
 C 4012(A,178,57) CFTLA104J50
 C 4013(A,169,49) FILM CAPACITOR CQ MBA103J50
 C 4021(A,145,48) CFTLA104J50

C 4022(A,145,39) CFTLA104J50
 C 4023(A,157,42) FILM CAPACITOR CQ MBA103J50
 C 4031(A,197,63) CFTLA104J50
 C 4032(A,192,57) CFTLA104J50
 C 4033(A,201,67) FILM CAPACITOR CQ MBA103J50

C 4041(A,257,63) CFTLA104J50
 C 4042(A,257,54) CFTLA104J50
 C 4043(A,247,56) FILM CAPACITOR CQ MBA103J50
 C 4051(A,224,61) CFTLA104J50
 C 4052(A,228,55) CFTLA104J50

C 4053(A,232,49) FILM CAPACITOR CQ MBA103J50
 C 4061(A,304,61) CFTLA104J50
 C 4062(A,304,54) CFTLA104J50
 C 4063(A,296,57) FILM CAPACITOR CQ MBA103J50
 C 4071(A,270,65) CFTLA104J50

C 4072(A,272,59) CFTLA104J50
 C 4073(A,276,59) FILM CAPACITOR CQ MBA103J50
 C 4092(B,178,42) CKSRYB222K50
 C 4094(B,240,48) CKSRYB222K50
 C 4096(B,281,47) CKSRYB222K50

C 4101(A,212,137) ACH7258
 C 4102(A,258,137) ACH7258

Y TRANS 2-2 ASSY

MISCELLANEOUS

H 3151(A,172,75) FUSE CLIP AKR7001
 H 3152(A,151,75) FUSE CLIP AKR7001
 H 3153(A,173,63) FUSE CLIP AKR7001
 H 3154(A,152,63) FUSE CLIP AKR7001
 H 3155(A,173,52) FUSE CLIP AKR7001

H 3156(A,152,52) FUSE CLIP AKR7001
 H 3157(A,172,40) FUSE CLIP AKR7001
 H 3158(A,151,40) FUSE CLIP AKR7001
 H 3159(A,172,28) FUSE CLIP AKR7001
 H 3160(A,151,28) FUSE CLIP AKR7001

J 3151(A,138,41) CONNECTOR ASS'Y PF12PG-R40

CAPACITORS

C 3001(A,158,11) FILM CAPACITOR CQ MBA102J50

Z POWER SW ASSY

MISCELLANEOUS

Q 3561(B,10,72) DIGITAL TR(SC-70) RT1N431M
 D 3562(A,14,73) LED(BLUE) SLR343BC4T(JKLM)
 S 3562(A,13,66) SWITCH VSG1024
 3562(A,32,81) 4P CABLE HOLDER 51048-0400

Mark No. **Description** **Part No.**

RESISTORS

R 3561(B,19,77) RS1/16S151J

CAPACITORS

C 3563(B,15,80) CCSRCH101J50

AA PRIMARY ASSY

MISCELLANEOUS

△ IC 3061(A,299,108) REGULATOR IC NJM78M56FA

Q 3061(B,281,71) DIGITAL TR(SC-70) RT1N431M

△ D 3061(B,297,92) BRIDGE DIODE S1WB(A)60SD

D 3062(B,299,78) DIODE 1SS352

D 3063(B,308,78) DIODE UDZS5R1(B)

D 3064(B,275,78) DIODE 1SS352

D 3065(B,275,71) DIODE 1SS352

△ L 3063(A,244,35) LINE FILTER XTF3004

H 3061(A,223,57) FUSE CLIP AKR7001

H 3062(A,243,57) FUSE CLIP AKR7001

KN3061(A,313,21) WRAPPING TERMINAL VNF1084

△ RY 3061(A,271,69) JOE LOWPOWER RELAY ASR7013

△ T 3061(A,273,95) STANDBY TRANSFORMER ATT7040

CN3062(A,308,126) CONNECTOR(9P) TUC-P09X-B1

CN3063(A,246,126) CONNECTOR(05P) TUC-P05X-B1

△ CN3064 AC SOCKET 1-P AKP1034

△ CN3067(A,276,45) CONNECTOR B2P3-VH

△ 3066 AC INLET ASSY ADX7464

RESISTORS

R 3062(B,303,78) RS1/16S332J

R 3063(A,279,84) CARBON FILM RESISTOR RD1/4MUF101J

R 3064(B,305,78) RS1/16S103J

CAPACITORS

△ C 3061(A,266,36) FILM CAPACITOR ACE7013

△ C 3062(A,252,63) ACG7039

C 3063(A,289,115) FILM CAPACITOR CQMBA103J50

C 3064(B,291,104) CKSRYB102K50

C 3065(B,289,104) CKSRYB102K50

C 3066(B,294,100) CKSRYB102K50

C 3067(B,308,85) CKSRYB102K50

C 3068(A,305,94) ELECT. CAPACITOR CEAT332M25

C 3069(A,317,120) CEAT221M25

C 3071(B,311,88) CKSRYB103K50

AB VOLUME ASSY

MISCELLANEOUS

S 3571(A,272,203) ROTARY ENCODER ASX7049

3571(A,251,238) 3P CABLE HOLDER 51048-0300

CAPACITORS

C 3571(B,274,214) CKSRYB103K50

C 3572(B,270,214) CKSRYB103K50

Mark No. **Description** **Part No.**

AC DISPLAY ASSY

MISCELLANEOUS

IC 3201(B,52,199) DISPLAY U-COM PE5615A

IC 3301(B,121,166) MICROCOMPUTER IC PDC158A8

IC 3302(A,17,218) REMOTE RECEIVER UNIT RPM7540-H9

△ IC 3304(B,166,152) IC S-1200B33-M5

Q 3301(B,188,185) DIGITAL TR(SC-70) RT1N431M

Q 3302(B,203,189) DIGITAL TR(SC-70) RT1N431M

Q 3303(B,25,184) DIGITAL TR(SC-70) RT1N431M

Q 3304(B,68,176) DIGITAL TR(SC-70) RT1N431M

Q 3305(B,109,190) DIGITAL TR(SC-70) RT1N431M

Q 3306(B,117,190) DIGITAL TR(SC-70) RT1N431M

Q 3307(B,125,190) DIGITAL TR(SC-70) RT1N431M

Q 3309(B,209,207) TRANSISTOR(SC-70) 2SA1602A

Q 3310(B,195,207) TRANSISTOR RT1N241M

Q 3312(B,175,156) MOS FET 2SK2034

D 3201(B,235,212) DIODE MC2848-11

D 3202(B,236,218) DIODE 1SS352

D 3301(A,176,187) LED(RED) SLR-343VC(NPQ)

D 3303(A,212,187) LED(RED) SLR-343VC(NPQ)

D 3305(A,29,185) LED(RED) SLR-343VC(NPQ)

D 3307(A,65,185) LED(RED) SLR-343VC(NPQ)

D 3309(A,112,185) LED(BLUE) SLR343BC4T(JKLM)

D 3311(A,120,185) LED(WHITE) SLR343WBCT(MNQP)

D 3313(A,127,185) LED(BLUE) SLR343BC4T(JKLM)

D 3315(B,187,209) DIODE 1SS352

D 3316(B,199,205) DIODE 1SS352

D 3317(B,190,209) DIODE MC2848-11

D 3319(B,178,151) DIODE RB751V-40

L 3201(B,235,223) INDUCTOR CTF1385

L 3202(B,221,213) CHIP SOLID INDUCTOR ATL7002

J 3202 JUMPER WIRE D20PDY0620E

V 3201(A,182,237) FL TUBE DISPLAY AAV7113

S 3301(A,76,143) SWITCH VSG1024

S 3302(A,63,140) SWITCH VSG1024

S 3303(A,51,128) SWITCH VSG1024

S 3304(A,63,126) SWITCH VSG1024

S 3305(A,75,128) SWITCH VSG1024

S 3306(A,76,113) SWITCH VSG1024

S 3307(A,63,116) SWITCH VSG1024

S 3308(A,50,113) SWITCH VSG1024

S 3309(A,162,137) SWITCH VSG1024

S 3310(A,127,137) SWITCH VSG1024

S 3311(A,110,137) SWITCH VSG1024

S 3312(A,64,163) SWITCH VSG1024

S 3313(A,46,163) SWITCH VSG1024

S 3314(A,28,163) SWITCH VSG1024

S 3315(A,23,137) SWITCH VSG1024

S 3316(A,50,143) SWITCH VSG1024

S 3317(A,174,163) SWITCH VSG1024

S 3318(A,192,163) SWITCH VSG1024

S 3319(A,210,163) SWITCH VSG1024

S 3320(A,215,137) SWITCH VSG1024

S 3321(A,197,137) SWITCH VSG1024

S 3322(A,180,137) SWITCH VSG1024

S 3323(A,145,137) SWITCH VSG1024

X 3201(A,74,191) CERAMIC RESONATOR VSS1142

X 3302(A,142,150) CRYSTAL OSCILLATOR CSS1653

CN3301(A,220,164) 31P CONNECTOR VKN1291

5			6			7			8		
Mark No.	Description	Part No.	Mark No.	Description	Part No.	Mark No.	Description	Part No.	Mark No.	Description	Part No.
3201(A,121,201)	FL HOLDER(FE)	VNF1096	R 3253(B,174,240)		RS1/16S473J						
3202(A,241,231)	6P CABLE HOLDER	51048-0600	R 3258(B,71,191)		RS1/16S105J						
3301(A,241,211)	3P CABLE HOLDER	51048-0300	R 3259(B,63,180)		RS1/16S104J						
3302(A,7,150)	3P CABLE HOLDER	51048-0300	R 3260(B,53,174)		RS1/16S104J						A
3303(A,7,190)	4P CABLE HOLDER	51048-0400	R 3261(B,231,208)		RS1/16S0R0J						
			R 3262(B,58,174)		RS1/16S101J						
			R 3263(B,56,174)		RS1/16S101J						
			R 3264(B,49,174)		RS1/16S104J						
RESISTORS											
R 3201(B,68,240)		RS1/16S104J									
R 3202(B,70,240)		RS1/16S104J	R 3306(B,15,179)		RS1/16S0R0J						
R 3203(B,72,240)		RS1/16S104J	R 3307(B,213,177)		RS1/16S0R0J						
R 3204(B,74,240)		RS1/16S104J	R 3310(B,207,180)		RS1/16S0R0J						
R 3205(B,76,240)		RS1/16S104J	R 3318(B,185,183)		RS1/16S681J						
			R 3319(B,202,185)		RS1/16S681J						
R 3206(B,78,240)		RS1/16S104J									
R 3207(B,80,240)		RS1/16S104J	R 3320(B,28,195)		RS1/16S681J						B
R 3208(B,82,240)		RS1/16S104J	R 3321(B,70,180)		RS1/16S681J						
R 3209(B,84,240)		RS1/16S104J	R 3322(B,115,195)		RS1/16S151J						
R 3210(B,86,240)		RS1/16S104J	R 3323(B,123,195)		RS1/16S561J						
			R 3324(B,130,195)		RS1/16S151J						
R 3211(B,88,240)		RS1/16S104J									
R 3212(B,90,240)		RS1/16S104J	R 3326(B,153,151)		RS1/16S0R0J						
R 3213(B,92,240)		RS1/16S104J	R 3327(B,150,166)		RS1/16S101J						
R 3214(B,94,240)		RS1/16S104J	R 3329(B,147,157)		RS1/16S0R0J						
R 3215(B,96,240)		RS1/16S104J	R 3331(B,137,155)		RS1/16S105J						
			R 3332(B,139,153)		RS1/16S0R0J						
R 3216(B,98,240)		RS1/16S104J									
R 3217(B,100,240)		RS1/16S104J	R 3333(B,117,143)		RS1/16S474J						
R 3218(B,102,240)		RS1/16S104J	R 3334(B,117,141)		RS1/16S101J						C
R 3219(B,104,240)		RS1/16S104J	R 3335(B,115,148)		RS1/16S473J						
R 3220(B,106,240)		RS1/16S104J	R 3336(B,115,146)		RS1/16S473J						
			R 3337(B,110,146)		RS1/16S473J						
R 3221(B,108,240)		RS1/16S104J									
R 3222(B,110,240)		RS1/16S104J	R 3338(B,110,148)		RS1/16S473J						
R 3223(B,112,240)		RS1/16S104J	R 3339(B,98,174)		RS1/16S101J						
R 3224(B,114,240)		RS1/16S104J	R 3340(B,99,183)		RS1/16S473J						
R 3225(B,116,240)		RS1/16S104J	R 3341(B,107,180)		RS1/16S101J						
			R 3342(B,105,180)		RS1/16S101J						
R 3226(B,118,240)		RS1/16S104J									
R 3227(B,120,240)		RS1/16S104J	R 3344(B,137,184)		RS1/16S101J						
R 3228(B,122,240)		RS1/16S104J	R 3345(B,139,179)		RS1/16S473J						
R 3229(B,124,240)		RS1/16S104J	R 3349(B,149,176)		RS1/16S101J						D
R 3230(B,126,240)		RS1/16S104J	R 3350(B,149,174)		RS1/16S101J						
			R 3351(B,144,172)		RS1/16S101J						
R 3231(B,128,240)		RS1/16S104J									
R 3232(B,130,240)		RS1/16S104J	R 3352(B,75,147)		RS1/16S472J						
R 3233(B,132,240)		RS1/16S104J	R 3353(B,135,140)		RS1/16S472J						
R 3234(B,134,240)		RS1/16S104J	R 3354(B,178,168)		RS1/16S472J						
R 3235(B,136,240)		RS1/16S104J	R 3355(B,76,140)		RS1/16S681J						
			R 3356(B,56,132)		RS1/16S821J						
R 3236(B,138,240)		RS1/16S104J									
R 3237(B,140,240)		RS1/16S104J	R 3357(B,62,129)		RS1/16S122J						
R 3238(B,144,240)		RS1/16S473J	R 3358(B,71,128)		RS1/16S162J						
R 3239(B,146,240)		RS1/16S473J	R 3359(B,76,117)		RS1/16S272J						
R 3240(B,148,240)		RS1/16S473J	R 3360(B,62,113)		RS1/16S512J						E
			R 3361(B,56,116)		RS1/16S123J						
R 3241(B,150,240)		RS1/16S473J									
R 3242(B,152,240)		RS1/16S473J	R 3363(B,119,137)		RS1/16S681J						
R 3243(B,154,240)		RS1/16S473J	R 3364(B,68,167)		RS1/16S821J						
R 3244(B,156,240)		RS1/16S473J	R 3365(B,55,161)		RS1/16S122J						
R 3245(B,158,240)		RS1/16S473J	R 3366(B,37,163)		RS1/16S162J						
			R 3367(B,28,140)		RS1/16S272J						
R 3246(B,160,240)		RS1/16S473J									
R 3247(B,162,240)		RS1/16S473J	R 3368(B,50,138)		RS1/16S512J						
R 3248(B,164,240)		RS1/16S473J	R 3369(B,188,163)		RS1/16S681J						
R 3249(B,166,240)		RS1/16S473J	R 3370(B,207,167)		RS1/16S821J						
R 3250(B,168,240)		RS1/16S473J	R 3371(B,220,140)		RS1/16S122J						
			R 3372(B,194,140)		RS1/16S162J						F
R 3251(B,170,240)		RS1/16S473J									
R 3252(B,172,240)		RS1/16S473J	R 3373(B,189,137)		RS1/16S272J						
			R 3374(B,167,141)		RS1/16S512J						

Mark No. Description**Part No.****Mark No. Description****Part No.**

R 3377(B,22,227)
R 3378(B,206,205)
R 3379(B,204,205)

RS1/16S101J
RS1/16S104J
RS1/16S104J

C 3312(B,139,157)
C 3313(B,139,149)
C 3314(B,131,156)

CCSRCH120J50
CCSRCH120J50
CKSRYP105K10

A

R 3380(B,202,205)
R 3381(B,209,203)
R 3382(B,213,203)
R 3384(B,122,142)
R 3385(B,122,147)

RS1/16S472J
RS1/16S102J
RS1/16S103J
RS1/16S221J
RS1/16S474J

C 3315(B,111,154)
C 3316(B,106,169)
C 3318(B,135,176)
C 3319(B,78,146)
C 3320(B,130,139)

CKSRYP104K16
CKSRYP104K16
CKSRYP104K16
CKSRYP102K50
CKSRYP102K50

R 3386(B,118,146)
R 3387(B,118,148)
R 3388(B,97,169)
R 3389(B,95,170)
R 3390(B,98,177)

RS1/16S221J
RS1/16S104J
RS1/16S221J
RS1/16S473J
RS1/16S221J

C 3321(B,178,166)
C 3322(B,203,208)
C 3323(B,15,231)
C 3324(A,17,236)
C 3325(B,213,174)

CKSRYP102K50
CKSRYP103K50
CKSRYP103K50
CEJQ101M6R3
CKSRYP104K16

B

R 3391(B,101,176)
R 3394(B,178,156)
R 3395(B,173,154)
R 3396(B,127,151)
R 3397(B,110,173)

RS1/16S473J
RS1/16S333J
RS1/16S154J
RS1/16S104J
RS1/16S104J

C 3326(B,213,172)
C 3327(B,122,149)
C 3329(B,103,176)
C 3330(B,162,155)
C 3331(B,171,155)

CKSRYP104K16
CKSRYP103K50
CKSRYP102K50
CKSRYP105K10
CKSRYP105K10

R 3398(B,108,173)
R 3399(B,101,172)

RS1/16S104J
RS1/16S104J

C 3332(B,133,180)
C 3333(B,118,181)

CKSRYP104K16
CKSRYP104K16

CAPACITORS

C 3201(B,179,239)
C 3202(B,61,240)
C 3203(A,193,234)
C 3204(B,186,236)
C 3205(B,142,233)

CKSRYP104K50
CKSRYP102K50
ELECT. CAPACITOR CEAT101M35
CKSRYP471K50
CKSRYP471K50

C 3206(B,144,233)
C 3207(B,146,233)
C 3208(B,148,233)
C 3209(B,151,233)
C 3210(B,153,233)

CKSRYP471K50
CKSRYP471K50
CKSRYP471K50
CKSRYP471K50
CKSRYP471K50

C 3211(B,155,233)
C 3212(B,157,233)
C 3213(B,161,233)
C 3214(B,163,233)
C 3215(B,165,233)

CKSRYP471K50
CKSRYP471K50
CKSRYP471K50
CKSRYP471K50
CKSRYP471K50

C 3216(B,167,233)
C 3217(B,170,233)
C 3218(B,172,233)
C 3219(B,174,233)
C 3220(B,176,233)

CKSRYP471K50
CKSRYP471K50
CKSRYP471K50
CKSRYP471K50
CKSRYP471K50

C 3221(A,171,193)
C 3222(B,232,213)
C 3223(B,78,196)
C 3224(B,67,196)
C 3225(B,61,180)

CEJQ221M6R3
CKSRYP103K50
CKSRYP102K50
CKSRYP104K16
CKSRYP104K16

C 3227(B,46,187)
C 3228(B,47,214)
C 3230(B,49,214)
C 3231(A,43,239)
C 3301(B,183,185)

CKSRYP104K16
CKSRYP105K10
CKSRYP104K50
CEAT470M50
CCSRCH101J50

C 3302(B,206,186)
C 3303(B,29,191)
C 3304(B,66,180)
C 3305(B,114,192)
C 3306(B,122,192)

CCSRCH101J50
CCSRCH101J50
CCSRCH101J50
CCSRCH101J50
CCSRCH101J50

C 3307(B,129,192)
C 3309(B,137,162)

CCSRCH101J50
CKSRYP104K16

**AD INPUT SELECT ASSY
MISCELLANEOUS**

S 3561(A,61,63) ROTARY ENCODER ASX7051
3561(A,89,94) 3P CABLE HOLDER 51048-0300

CAPACITORS

C 3561(B,63,74) CKSRYP103K50
C 3562(B,59,74) CKSRYP103K50

**AE PREOUT & CONTROL ASSY
MISCELLANEOUS**

IC 2931(A,205,121) RS232 IC HIN202EIBNZ
IC 2932(A,179,86) IC NJM2794V
IC 2933(A,184,100) IC NJM2505AF
Q 2801(A,206,14) TRANSISTOR IMX25
Q 2802(A,206,21) TRANSISTOR IMX25
Q 2821(A,206,27) TRANSISTOR IMX25
Q 2822(A,206,34) TRANSISTOR IMX25
Q 2841(A,206,40) TRANSISTOR IMX25
Q 2842(A,206,47) TRANSISTOR IMX25
Q 2861(A,206,53) TRANSISTOR IMX25

Q 2862(A,206,60) TRANSISTOR IMX25
Q 2931(B,200,114) TRANSISTOR 2SC4154
Q 2952(B,207,110) DIGITAL TR(SC-70) RT1N431M
D 2931(B,205,122) DIODE 1SS352
D 2951(B,189,121) DIODE 1SS352

D 2952(B,188,114) DIODE 1SS352
D 2957(A,199,92) DIODE UDZS6R2(B)
D 2958(A,196,92) DIODE UDZS6R2(B)
D 2959(A,199,96) DIODE UDZS6R2(B)
D 2960(A,199,98) DIODE UDZS6R2(B)

JA 2804(A,229,98) 20P SOCKET AKP7202
JA 2805(A,229,23) PIN JACK(4P) AKB7172
JA 2806(A,229,51) PIN JACK(4P) AKB7172
JA 2931(A,229,125) 9P D-SUB SOCKET AKP1213
CN2801(A,173,26) CONNECTOR CKS3389

Mark No.	Description	Part No.
CN2802(A,174,135)	23P SOCKET	XKP3082

RESISTORS

R 2801(B,212,14)	RS1/16S101J
R 2802(B,212,21)	RS1/16S101J
R 2803(B,206,14)	RS1/16S121J
R 2804(B,206,21)	RS1/16S121J
R 2805(B,200,14)	RS1/16S271J
R 2806(B,200,21)	RS1/16S271J
R 2807(A,211,16)	RS1/16S103J
R 2808(A,211,22)	RS1/16S103J
R 2809(A,202,16)	RS1/16S103J
R 2810(A,202,22)	RS1/16S103J
R 2821(B,212,26)	RS1/16S101J
R 2822(B,212,34)	RS1/16S101J
R 2823(B,206,27)	RS1/16S121J
R 2824(B,206,34)	RS1/16S121J
R 2825(B,200,27)	RS1/16S271J
R 2826(B,200,34)	RS1/16S271J
R 2827(A,211,29)	RS1/16S103J
R 2828(A,211,35)	RS1/16S103J
R 2829(A,202,29)	RS1/16S103J
R 2830(A,202,35)	RS1/16S103J
R 2841(B,212,39)	RS1/16S101J
R 2842(B,212,48)	RS1/16S101J
R 2843(B,206,40)	RS1/16S121J
R 2844(B,206,47)	RS1/16S121J
R 2845(B,200,40)	RS1/16S271J
R 2846(B,200,47)	RS1/16S271J
R 2847(A,211,42)	RS1/16S103J
R 2848(A,211,48)	RS1/16S103J
R 2849(A,202,42)	RS1/16S103J
R 2850(A,202,48)	RS1/16S103J
R 2861(B,212,53)	RS1/16S101J
R 2862(B,212,62)	RS1/16S101J
R 2863(B,206,53)	RS1/16S121J
R 2864(B,206,60)	RS1/16S121J
R 2865(B,200,53)	RS1/16S271J
R 2866(B,200,60)	RS1/16S271J
R 2867(A,211,55)	RS1/16S103J
R 2868(A,211,61)	RS1/16S103J
R 2869(A,202,55)	RS1/16S103J
R 2870(A,202,61)	RS1/16S103J
R 2931(B,188,119)	RS1/16S0R0J
R 2932(B,213,122)	RS1/16S101J
R 2933(B,188,117)	RS1/16S0R0J
R 2934(A,210,128)	RS1/16S101J
R 2935(B,188,125)	RS1/16S0R0J
R 2936(B,209,120)	RS1/16S474J
R 2937(B,205,117)	RS1/16S103J
R 2938(B,203,117)	RS1/16S224J
R 2939(B,223,118)	RS1/16S0R0J
R 2940(B,210,116)	RS1/16S224J
R 2941(A,210,116)	RS1/16S101J
R 2942(A,203,126)	RS1/16S101J
R 2943(A,208,128)	RS1/16S101J
R 2951(B,192,87)	RS1/16S473J
R 2952(B,192,92)	RS1/16S473J
R 2953(B,191,84)	RS1/16S331J

Mark No.	Description	Part No.
R 2954(B,191,95)	RS1/16S331J	
R 2957(B,215,108)	RS1/16S514J	
R 2961(B,210,107)	RS1/16S393J	
R 2965(B,174,103)	RS1/16S104J	
R 2966(B,174,93)	RS1/16S104J	
R 2970(B,200,99)	RS1/16S750J	
R 2971(B,195,103)	RS1/16S101J	
R 2972(B,195,101)	RS1/16S101J	

CAPACITORS

C 2801(B,220,13)	CCSRCH101J50
C 2802(B,219,17)	CCSRCH101J50
C 2811(B,211,16)	CCSRCH271J50
C 2812(B,212,19)	CCSRCH271J50
C 2821(B,220,27)	CCSRCH101J50
C 2822(B,219,31)	CCSRCH101J50
C 2831(B,212,28)	CCSRCH271J50
C 2832(B,212,32)	CCSRCH271J50
C 2841(B,220,41)	CCSRCH101J50
C 2842(B,219,45)	CCSRCH101J50
C 2851(B,212,41)	CCSRCH271J50
C 2852(B,212,46)	CCSRCH271J50
C 2861(B,219,55)	CCSRCH101J50
C 2862(B,219,59)	CCSRCH101J50
C 2871(B,212,55)	CCSRCH271J50
C 2872(B,212,60)	CCSRCH271J50
C 2891(B,223,23)	CKSRYB103K50
C 2892(B,222,50)	CKSRYB103K50
C 2931(B,214,135)	CKSRYB103K50
C 2933(B,198,119)	CKSRYB104K16
C 2934(B,207,120)	CKSRYB104K16
C 2935(A,201,116)	CKSRYB104K16
C 2936(A,205,116)	CKSRYB104K16
C 2937(A,198,121)	CKSRYB103K50
C 2938(A,193,120)	CEAT101M16
C 2939(B,212,118)	CKSRYB103K50
C 2940(B,201,117)	CCSRCH331J50
C 2945(B,195,128)	CKSRYB102K50
C 2951(B,194,87)	CCSRCH101J50
C 2952(B,194,92)	CCSRCH101J50
C 2953(B,190,87)	CCSRCH101J50
C 2954(B,190,92)	CCSRCH101J50
C 2957(B,184,116)	CKSRYB103K50
C 2960(B,204,83)	CKSQYB105K16
C 2961(A,192,81)	CEAT4R7M50
C 2962(A,184,94)	CEAT4R7M50
C 2963(A,184,82)	CEAT4R7M50
C 2964(A,184,88)	CEAT4R7M50
C 2965(A,173,98)	CEAT4R7M50
C 2966(A,173,87)	CEAT4R7M50
C 2967(A,180,94) ELECT. CAPACITOR	CEAT220M50
C 2968(A,181,79)	CEAT100M50
C 2973(B,215,114)	CKSRYB103K50
C 2976(B,222,108)	CKSRYB103K50
C 2979(A,181,99)	CKSRYB103K50
C 2980(A,189,105)	CEAT4R7M50
C 2981(A,188,99)	CEAT4R7M50
C 2982(A,184,105)	CEAT4R7M50

Mark No. **Description** **Part No.**

AF FR IN BARRIER1 ASSY
MISCELLANEOUS

2301(A,81,67) PCB BINDER VEF1040

AG HDMI POWER ASSY
MISCELLANEOUS

H 6501(A,210,66) FUSE CLIP AKR7001
H 6502(A,210,45) FUSE CLIP AKR7001
CN6501(A,213,85) 2P CONNECTOR B2P-VH
CN6502(A,229,86) 2P TOP POST B2B-EH
CN6503(A,227,38) CONNECTOR B4B-EH

CAPACITORS

C 6501(A,217,59) FILM CAPACITOR CQMBA102J50
C 6502(A,232,55) ELECT. CAPACITOR CEAT682M25
C 6503(B,230,83) CKSRYB102K50

AH HDMI TRANS ASSY
MISCELLANEOUS

Y 23 (A,239,230) 2P HOUSING WIRE ASSY ADX7606
△ Y 22 (A,237,173) 2P HOUSING WIRE ASSY ADX7603

AI HDMI DIODE ASSY
MISCELLANEOUS

△ D 6501(A,227,13) DIODE D3SBA20(B)
J 6501(A,232,27) CONNECTOR ASSY PF04EN-S05
6501(A,206,27) PCB BINDER VEF1040

AJ HDMI & DLNA ASSY (VSX-LX70)
SEMICONDUCTORS

△ IC 11 NJM2846DL3-33
△ IC 21 NJM2846DL3-18
△ IC 31 NJM2886DL3-33
IC 101 SII9135CTU
IC 151 TC74VHC126FTS1

IC 201,1381,1383,1384 TC74LCX541FTS1
IC 202 ICS571MLF
IC 203 TC7WH74FU
IC 204,205 TC7WH157FU
IC 251 TC74LCX157FTS1

IC 301 SII9134CTU
IC 401 ADV7800BSTZ-80
IC 402 TC7WHU04FU
IC 501 PEG118A
IC 502 AYW7181

IC 504 BU4094BCFV
IC 505 TC7WH125FU
IC 506 TC7WT125FU
IC 601 ADV7172KSTZ
IC 701 DM850E

IC 801 AAT4618IGV-0.5-1
IC 861 RTL8201CP-LF
IC 881 AYW7185
IC 891 HY57V641620FTP-6
IC 911 TC74VHC08FTS1

Mark No. **Description** **Part No.**

IC 921 TC74VHCT08AFTS1
△ IC 1001 BD9011KV
△ IC 1051 PQ200WNA1ZPH
△ IC 1071 NJM78M05DL1A
IC 1101,1151 CXB1442AR

IC 1201,1203,1251,1253 BR24L02FV-W
IC 1202,1204,1252,1254 TC7MB3257FK
IC 1205,1206,1255,1257 TC7WBD125AFK
IC 1301 FLI2310-LF-CF
IC 1351 EDS6432AFTA-6B-E

Q 151,152,352,1101 DTC114YUA
Q 201 DTA124EUA
Q 351 UMB1N
Q 631,641,651,661 2SA1576A
Q 671,681,1051 2SA1576A

△ Q 1001,1002 SP8K1
Q 1052 DTC124EUA
Q 1102,1104,1151,1152 DTC114YUA
Q 1103,1153 2SB1689
Q 1154,1201-1203 DTC114YUA

Q 1251-1253 DTC114YUA
Q 1281 HN1K02FU
D 11,22 RB050L-40
D 301 UDZS5R1(B)
D 551 RB501V-40

D 1001,1002 RB160VA-40
△ D 1003,1004 RLZ5.6B
△ D 1071 RLZ6.8B
D 1101,1102,1151,1150 DAN202U

MISCELLANEOUS

L 10 CHIP BEEDS FILTER BTX1040
L 101-104,301-305 CHIP BEADS ATL7010
L 105,106 CHIP SOLID INDUCTOR QTL1013
L 201 INDUCTOR CTF1379
L 202-204 CHIP SOLID INDUCTOR ATL7002

L 207,251 CHIP SOLID INDUCTOR VTL1169
L 351-354 COIL ATH7022
L 401,402,404,406 CHIP BEADS ATL7010
L 403,405 CHIP SOLID INDUCTOR QTL1013
L 501,601 CHIP SOLID INDUCTOR ATL7002

L 602 CHIP SOLID INDUCTOR ATL7002
L 631,641,651,661 INDUCTOR ATL7015
L 671,681 INDUCTOR ATL7015
L 701,702,861,862 INDUCTOR CTF1357
L 704-707 CHIP FERRITE BEADS ATF1211

L 801 CHIP FERRITE BEADS VTL1169
L 802 COIL VTH1043
L 871,881,891,911 INDUCTOR CTF1357
L 921 INDUCTOR CTF1357
L 1001,1101,1151 CHIP BEADS ATL7010

L 1002 INDUCTOR DTL1135
L 1003 INDUCTOR ATL7013
L 1092,1093 INDUCTOR CTF1386
L 1301-1305 CHIP SOLID INDUCTOR ATL7002
L 1351 CHIP SOLID INDUCTOR ATL7002

JA 301 HDMI CONNECTOR AKP7220
JA 701 RJ45C ONNECTOR TRNS AKP1307
JA 1101,1102,1151 HDMI CONNECTOR AKP1318

5		6		7		8	
<u>Mark No.</u>	<u>Description</u>	<u>Part No.</u>		<u>Mark No.</u>	<u>Description</u>	<u>Part No.</u>	
JA 1152	HDMI CONNECTOR	AKP1318					
KN 1	SCREW PLATE	VNE1948					
X 101	CRYSTAL RESONATOR	ASS7068					
X 401	CRYSTAL RESONATOR	ASS7069					
X 501	CERAMIC RESONATOR	XSS3004					
X 701	CRYSTAL RESONATOR	XSS3003					
X 861	CRYSTAL RESONATOR	ASS7084					
X 1301	CRYSTAL RESONATOR	ASS7070					
CN502	7P CONNECTOR	VKN1411					
CN801	CONNECTOR	AKM1276					
CN901	22P CONNECTOR	RKN1063					
CN952	5P CONNECTOR	VKN1374					
CN1001,1002	CONNECTOR	CKS4898					
0	ID LABEL ASSY	AXW7015					
RESISTORS				CAPACITORS			
R 101,103-105		RAB4CQ220J		C 10		CEVW470M16	
R 108		RAB4CQ100J		C 11,31,801		CKSSYB104K16	A
R 115,204,1385-1388		RAB4CQ680J		C 12,32		CKSQYB225K10	
R 119,331,333-341		RAB4CQ473J		C 13,421,735,1004		CKSSYB102K50	
R 130-132,134-136		RAB4CQ220J		C 21,106-108,110		CKSSYB104K10	
R 304		RS1/16SS6800F		C 22		DCG1028	
R 428,429		RAB4CQ470J		C 23		CEVW221M4	
R 432,433		RAB4CQ560J		C 33		CEVW101M6R3	
R 434,437,442,443		RAB4CQ473J		C 101,102,301,302		DCH1165	
R 446,447,450,702		RAB4CQ473J		C 103,104,303-305		CKSQYB106K6R3	
R 464,465,467,468		RAB4CQ0R0J		C 105,113,121,122		CKSSYB105K6R3	
R 480-483,741,761		RAB4CQ220J		C 109,111,131,152		CKSSYB103K16	
R 579		RAB4CQ0R0J		C 114-120,123-126		CKSSYB104K10	B
R 596		RAB4CQ101J		C 127,320,463,740		CCSSCH120J50	
R 609-612		RS1/16SS1201F		C 128,462		CCSSCH100D50	
R 633,643,653,663		RS1/16SS2200F		C 129,130,133,307		CKSSYB105K6R3	
R 634,644,654,664		RS1/16SS4700F		C 132,134-139,151		CKSSYB104K10	
R 635,645,655,665		RS1/10S0R0J		C 153,203,204,308		CKSSYB103K16	
R 673,683		RS1/16SS2200F		C 201,205-207,251		CKSSYB104K10	
R 674,684		RS1/16SS4700F		C 202		CEVW4R7M35	
R 675,685,1008,1009		RS1/10S0R0J		C 210,718,721,860		CKSSYB471K50	
R 712,764,779		RAB4CQ473J		C 306,309,311,313		CKSSYB104K10	
R 723		RS1/16S5101F		C 310,312,314		CKSSYB105K6R3	
R 724		RS1/16S3900F		C 315,316,351,403		CKSSYB104K10	C
R 746,747,749		RAB4CQ330J		C 317-319,404,433		CKSSYB105K6R3	
R 769,771,789		RAB4CQ220J		C 401,402		VCH1234	
R 851-854		RAB4CQ330J		C 419,434		CEVW101M16	
R 867		RS1/16S2001F		C 405-411,418,420		CKSSYB104K10	
R 868-871		RS1/16S49R9F		C 412,414,435,436		CKSSYB103K16	
R 1002,1004		ACN7156		C 413		CKSSYB823K10	
R 1011		RS1/16SS4702F		C 415		CKSRB824K10	
R 1012,1022		RS1/16SS1502F		C 416		CKSSYB393K10	
R 1023		RS1/16SS1202F		C 417		CKSQYB106K6R3	
R 1031,1095,1096		RS1/10S0R0J		C 422-429,431,437		CKSSYB104K10	
R 1052,1053		RS1/10S6R8J		C 430,432,710,742		CEVW100M16	D
R 1057		RS1/16SS1801F		C 438,441-443		CKSSYB104K10	
R 1059		RS1/16SS2001F		C 439,440,1056,1303		DCH1201	
R 1071-1073		RS1/16S0R0J		C 445-449,461,502		CKSSYB104K10	
R 1110,1160		RS1/16SS4701F		C 501,613,1313,2503		CKSSYB103K16	
R 1314-1317,1352		RAB4CQ220J		C 503		VCH1234	
R 1394		RAB4CQ680J		C 601,611,802		CEVW101M16	
Other Resistors		RS1/16SS###J		C 504,506,508,509		CKSSYB104K10	
				C 505,610,1314-1318		CKSSYB105K6R3	
				C 551,552,602-609		CKSSYB104K10	
				C 612,614,615,617		CKSSYB104K10	E
				C 631,641,651,661		CKSSYB104K10	
				C 632,633,642,643		CCSSCH101J50	
				C 652,653,662,663		CCSSCH101J50	
				C 671,681,701-706		CKSSYB104K10	
				C 672,673,682,683		CCSSCH101J50	
				C 708,709,711-717		CKSSYB104K10	
				C 719,722,724-734		CKSSYB104K10	
				C 720,867		CEVW220M16	
				C 723,875		CEVW470M6R3	
				C 736-739,861-865		CKSSYB104K10	
				C 741,1339,1340		CCSSCH120J50	F
				C 743,1073,1302		CEVW100M16	
				C 803-805		CKSSYB104K16	

Mark No. Description**Part No.****Mark No. Description****Part No.**

C 807,1305
C 866,869,881,895

A C 868,871,872,874
C 870,1351
C 873
C 876,877
C 882,891-894,900

CEVW101M16
CKSSYB471K50

CKSSYB104K10
ACH7174
CEVW330M16
CCSSCH180J50
CKSSYB104K10

IC 1301
IC 1351
Q 152,352,1102,1151
Q 351
Q 631,641,651,661

FLI2310-LF-CF
EDS6432AFTA-6B-E
DTC114YUA
UMB1N
2SA1576A

C 897-899,911,921
C 912,922,1054
C 1001
C 1002
C 1005,1012,1017,1018

CKSSYB471K50
CKSSYB104K10
CEVW470M25
CCG1195
CKSRYB104K25

Q 671,681,1051
Q 1001,1002
Q 1052
Q 1152,1154,1202
Q 1153

2SA1576A
SP8K1
DTC124EUA
DTC114YUA
2SB1689

C 1006
C 1010
C 1011,1024
C 1013,1014,1022
C 1015

CKSSYB102K50
CKSRYB152K50
BCG1059
CKSRYB105K10
CKSRYB332K50

⚠ D 1003,1004
⚠ D 1071
D 1102,1151,1152

DTC114YUA
HN1K02FU
UDZS5R1(B)
RB501V-40
RB160VA-40

C 1016
C 1019
C 1020
C 1021,1025,1072
C 1023

CCSSCH330J50
CCSSCH221J50
CKSRYB103K25
CKSRYB104K25
CKSRYB222K50

MISCELLANEOUS

L 101-104,301-305 CHIP BEADS ATL7010
L 105,106 CHIP SOLID INDUCTOR QTL1013
L 207,251 CHIP SOLID INDUCTOR VTL1169
L 351-354 COIL ATH7022
L 401,402,404,406 CHIP BEADS ATL7010

C 1051,1053
C 1052
C 1071
C 1102-1109,1152-1159
C 1110,1160

CKSQYB105K25
CKSQYB224K25
CEVW1R0M50
CKSSYB104K10
DCH1165

L 403,405 CHIP SOLID INDUCTOR QTL1013
L 501,601 CHIP SOLID INDUCTOR ATL7002
L 602 CHIP SOLID INDUCTOR ATL7002
L 631,641,651,661 INDUCTOR ATL7015
L 671,681 INDUCTOR ATL7015

C 1201-1206,1251-1256
C 1301
C 1306,1308-1312
C 1319-1322,1324-1332
C 1335-1338,1341

CKSSYB104K10
VCH1234
CKSSYB104K10
CKSSYB104K10
CKSSYB104K10

L 1001,1151 CHIP BEADS ATL7010
L 1002 INDUCTOR DTL1135
L 1003 INDUCTOR ATL7013
L 1092,1093 INDUCTOR CTF1386
L 1301-1305 CHIP SOLID INDUCTOR ATL7002

C 1352-1363
C 1381-1383
C 2505-2507

CKSSYB105K6R3
CKSSYB104K10
CKSSYB103K16

L 1351 CHIP SOLID INDUCTOR ATL7002
JA 301 HDMI CONNECTOR AKP7220
JA 1102,1151,1152 HDMI CONNECTOR AKP1318
X 101 CRYSTAL RESONATOR ASS7068
X 401 CRYSTAL RESONATOR ASS7069

X 501 CERAMIC RESONATOR XSS3004
X 1301 CRYSTAL RESONATOR ASS7070
CN502 7P CONNECTOR VKN1411
CN1001,1002 CONNECTOR CKS4898

IC 401
IC 402
IC 501
IC 502
IC 504

E

ADV7800BSTZ-80
TC7WHU04FU
PEG118A
AYW7181
BU4094BCFV

RESISTORS

R 101,103-105 RAB4CQ220J
R 108 RAB4CQ100J
R 115,204,1385-1388 RAB4CQ680J
R 119,331,333-341 RAB4CQ473J
R 130-132,134-136 RAB4CQ220J

IC 505
IC 506
IC 601
IC 1001
IC 1051

TC7WH125FU
TC7WT125FU
ADV7172KSTZ
BD9011KV
PQ200WNA1ZPH

R 141-144 ACN1275
R 304 RS1/16SS6800F
R 428,429 RAB4CQ470J
R 432,433 RAB4CQ560J
R 434,437,442,443 RAB4CQ473J

IC 1071
IC 1151
IC 1203,1251,1253
IC 1204,1252,1254
IC 1255,1257

F

NJM78M05DL1A
CXB1442AR
BR24L02FV-W
TC7MB3257FK
TC7WBD125AFK

R 446,447,450 RAB4CQ473J
R 464,465,467,468 RAB4CQ0R0J
R 480-483,1314-1317 RAB4CQ220J
R 579 RAB4CQ0R0J

AK HDMI & DVC ASSY (VSX-LX60)**SEMICONDUCTORS**

IC 101
IC 151
IC 201,1381,1383,1384
IC 251
IC 301

SII9135CTU
TC74VHC126FTS1
TC74LCX541FTS1
TC74LCX157FTS1
SII9134CTU

IC 401
IC 402
IC 501
IC 502
IC 504

ADV7800BSTZ-80
TC7WHU04FU
PEG118A
AYW7181
BU4094BCFV

IC 505
IC 506
IC 601
IC 1001
IC 1051

TC7WH125FU
TC7WT125FU
ADV7172KSTZ
BD9011KV
PQ200WNA1ZPH

IC 1071
IC 1151
IC 1203,1251,1253
IC 1204,1252,1254
IC 1255,1257

NJM78M05DL1A
CXB1442AR
BR24L02FV-W
TC7MB3257FK
TC7WBD125AFK

Mark No.	Description	Part No.	Mark No.	Description	Part No.
R 596		RAB4CQ101J	C 615,617,631,641		CKSSYB104K10
R 609-612		RS1/16SS1201F	C 632,633,642,643		CCSSCH101J50
R 633,643,653,663		RS1/16SS2200F	C 651,661,671,681		CKSSYB104K10
R 634,644,654,664		RS1/16SS4700F	C 652,653,662,663		CCSSCH101J50
R 635,645,655,665		RS1/10S0R0J	C 672,673,682,683		CCSSCH101J50
R 673,683		RS1/16SS2200F	C 1001		CEVW470M25
R 674,684		RS1/16SS4700F	C 1002		CCG1195
R 675,685,1008,1009		RS1/10S0R0J	C 1005,1012,1017,1018		CKSRBY104K25
R 1002,1004		ACN7156	C 1010		CKSRBY152K50
R 1011		RS1/16SS4702F	C 1011,1024		BCG1059
R 1012,1022		RS1/16SS1502F	C 1013,1014,1022		CKSRBY105K10
R 1023		RS1/16SS1202F	C 1015		CKSRBY332K50
R 1031,1095,1096		RS1/10S0R0J	C 1016		CCSSCH330J50
R 1052,1053		RS1/10S6R8J	C 1019		CCSSCH221J50
R 1057		RS1/16SS1801F	C 1020		CKSRBY103K25
R 1059		RS1/16SS2001F	C 1021,1025,1072		CKSRBY104K25
R 1071-1073		RS1/16S0R0J	C 1023		CKSRBY222K50
R 1160		RS1/16SS4701F	C 1051,1053		CKSQYB105K25
R 1352		RAB4CQ220J	C 1052		CKSQYB224K25
R 1394		RAB4CQ680J	C 1054,1152-1159,1203		CKSSYB104K10
Other Resistors		RS1/16SS###J	C 1071		CEVW1R0M50

CAPACITORS

C 101,102,301,302	DCH1165
C 103,104,303-305	CKSQYB106K6R3
C 105,113,121,122	CKSSYB105K6R3
C 106-108,110	CKSSYB104K10
C 109,111,131,152	CKSSYB103K16
C 114-120,123-126	CKSSYB104K10
C 127,320,463,1339	CCSSCH120J50
C 128,462	CCSSCH100D50
C 129,130,133,307	CKSSYB105K6R3
C 132,134-139,151	CKSSYB104K10
C 153,308,412,414	CKSSYB103K16
C 201,251,306,309	CKSSYB104K10
C 210	CKSSYB471K50
C 310,312,314	CKSSYB105K6R3
C 311,313,315,316	CKSSYB104K10
C 317-319,404,433	CKSSYB105K6R3
C 351,403,405-411	CKSSYB104K10
C 401,419,434	CEVW101M16
C 402	VCH1234
C 413	CKSSYB823K10
C 415	CKSRBY824K10
C 416	CKSSYB393K10
C 417	CKSQYB106K6R3
C 418,420,422-429	CKSSYB104K10
C 421,1004,1006	CKSSYB102K50
C 430,432,1073,1302	CEVW100M16
C 431,437,438	CKSSYB104K10
C 435,436,501,613	CKSSYB103K16
C 439,440,1056,1303	DCH1201
C 441-443,445-449	CKSSYB104K10
C 461,502,504,506	CKSSYB104K10
C 503	VCH1234
C 505,610,1314-1318	CKSSYB105K6R3
C 508,509,551,552	CKSSYB104K10
C 601,611	CEVW101M16
C 602-609,612,614	CKSSYB104K10

AL TRANS 1 ASSY

TRANS 1 ASSY has no service part.

AM USB ASSY (VSX-LX60)

MISCELLANEOUS

IC 701 (A,35,38)	USB MEDIA CONTROL IC	TCC8600-00X-EA-UG
⚠ IC 702 (A,63,28)	IC	NJM2872BF18
⚠ IC 703 (A,84,25)	IC	NJM2886DL3-33
IC 741 (A,64,16)	IC	TC7SZ125FU
IC 761 (A,67,47)	SD-RAM(64M)	HY57V641620FTP-6-K
IC 762 (A,90,42)	FLASH ROM	AYW7173
IC 771 (A,67,22)	LOAD SWITCHING	AAT4618IGV-0.5-1
IC 951 (A,59,17)	L-MOS AND GATE	TC7SET08FUS1
Q 771 (A,33,24)	DIGITAL TRANSISTOR	DTC143EUA
L 701 (A,41,54)	INDUCTOR	LCTC100K1608
L 702 (A,46,53)	CHIP SOLID INDUCTOR	QTL1013
L 703 (A,23,54)	CHIP SOLID INDUCTOR	QTL1013
L 704 (A,21,29)	CHIP SOLID INDUCTOR	QTL1013
L 731 (A,43,59)	CHIP FERRITE BEADS	VTL1169
L 733 (A,36,54)	COIL	VTH1043
L 741 (A,63,19)	CHIP SOLID INDUCTOR	QTL1013
L 761 (A,74,38)	CHIP SOLID INDUCTOR	QTL1013
L 762 (A,90,57)	CHIP SOLID INDUCTOR	QTL1013
L 763 (A,47,16)	CHIP SOLID INDUCTOR	QTL1013
L 952 (A,57,14)	CHIP SOLID INDUCTOR	QTL1013

<u>Mark No.</u>	<u>Description</u>	<u>Part No.</u>	<u>Mark No.</u>	<u>Description</u>	<u>Part No.</u>
	X 702 (A,49,46) CRYSTAL OSCILLATOR	CSS1614	C 704 (A,33,28)		CKSSYB471K50
	CN701 (A,39,60) PLUG(4P)	KM200NA4	C 705 (A,36,27)		CKSSYB104K10
A	CN702 (A,87,16) 11P SOCKET	XKP3076	C 706 (A,37,27)		CKSSYB471K50
			C 707 (A,40,27)		CKSSYB104K10
			C 708 (A,39,27)		CKSSYB471K50
			C 709 (A,43,47)		CKSSYB104K10
			C 710 (A,43,48)		CKSSYB471K50
			C 711 (A,42,50)		CKSSYB104K10
			C 712 (A,44,50)		CKSSYB471K50
			C 713 (A,38,49)		CCSRCH331J50
			C 714 (A,42,52)		CKSQYB225K10
			C 715 (A,41,49)		CKSRYB122K50
			C 716 (A,47,36)		CKSSYB104K10
			C 717 (A,47,32)		CKSSYB104K10
B	R 711 (A,48,37)	RS1/16SS101J	C 718 (A,47,33)		CKSSYB471K50
	R 712 (A,29,48)	RS1/16SS101J	C 719 (A,25,45)		CKSSYB471K50
			C 720 (A,26,45)		CKSSYB104K10
	R 713 (A,30,49)	RS1/16SS101J	C 721 (A,24,47)		CEJQ101M6R3
	R 714 (A,31,48)	RS1/16SS101J	C 723 (A,23,33)		CKSSYB471K50
	R 717 (A,22,30)	RS1/16SS101J	C 724 (A,24,34)		CKSSYB104K10
	R 718 (A,23,30)	RS1/16SS101J	C 726 (A,21,41)		CKSSYB104K10
	R 719 (A,26,47)	RS1/16SS101J	C 727 (A,26,39)		CKSSYB471K50
	R 720 (A,27,49)	RS1/16SS101J	C 728 (A,24,39)		CKSSYB104K10
	R 724 (A,31,51)	RS1/16SS472J	C 729 (A,25,35)		CKSSYB471K50
	R 725 (A,33,53)	RS1/16SS472J	C 730 (A,65,27)		CKSSYB103K16
C	R 726 (A,34,54)	RS1/16SS472J	C 731 (A,27,54)		CEJQ101M16
	R 727 (A,25,41)	RS1/16SS220J	C 732 (A,34,56)		CKSRYB104K16
	R 728 (A,32,49)	RS1/16SS101J	C 733 (A,43,57)		CKSRYB104K16
	R 729 (A,51,37)	RS1/16SS101J	C 734 (A,48,36)		CKSSYB471K50
	R 732 (A,30,60)	RS1/16S0R0J	C 735 (A,23,44)		CKSSYB103K16
	R 734 (A,30,61)	RS1/16S0R0J	C 736 (A,26,30)		CKSSYB471K50
	R 735 (A,38,52)	RS1/16SS153J	C 739 (A,46,50)		CCSRCH100D50
	R 736 (A,34,51)	RS1/16SS153J	C 740 (A,46,47)		CCSRCH471J50
	R 737 (A,37,51)	RS1/16SS100J	C 741 (A,92,19)		CEJQ101M16
	R 738 (A,35,51)	RS1/16SS100J	C 742 (A,92,24)		CKSRYB104K16
	R 739 (A,86,20)	RS1/16SS221J	C 743 (A,93,27)		CKSQYB225K10
D	R 740 (A,33,50)	RS1/16SS101J	C 744 (A,97,26)		CEJQ470M10
	R 741 (A,66,19)	RS1/16SS151J	C 745 (A,65,31)		CKSQYB105K16
	R 742 (A,77,23)	RS1/16SS101J	C 746 (A,67,28)		CKSQYB475K6R3
	R 743 (A,75,23)	RS1/16SS101J	C 747 (A,34,48)		CKSSYB104K10
	R 744 (A,73,23)	RS1/16SS101J	C 748 (A,33,48)		CKSSYB471K50
	R 745 (A,88,19)	RS1/16SS472J	C 751 (A,45,17)		CKSSYB104K10
	R 747 (A,45,41)	RS1/16S225J	C 752 (A,62,16)		CKSSYB104K10
	R 748 (A,46,45)	RS1/16SS470J	C 761 (A,76,39)		CKSSYB104K10
	R 752 (A,41,19)	RS1/16SS103J	C 762 (A,77,39)		CKSSYB471K50
	R 756 (A,36,15)	RS1/16SS103J	C 763 (A,71,39)		CKSSYB471K50
	R 763 (A,88,58)	RS1/16SS473J	C 764 (A,67,40)		CKSSYB471K50
E	R 771 (A,71,20)	RS1/16SS101J	C 766 (A,57,40)		CKSSYB471K50
	R 772 (A,71,21)	RS1/16SS104J	C 767 (A,90,55)		CKSSYB104K10
	R 951 (A,40,57)	RS1/16SS182J	C 768 (A,90,54)		CKSSYB471K50
	R 952 (A,38,55)	RS1/16SS332J	C 769 (A,43,55)		CKSRYB104K16
	R 953 (A,25,28)	RS1/16SS182J	C 771 (A,71,25)		CKSQYB105K16
	R 954 (A,25,29)	RS1/16SS332J	C 773 (A,64,23)		CKSRYB104K16
	R 955 (A,56,22)	RS1/16SS182J	C 952 (A,57,17)		CKSRYB104K16
	R 956 (A,26,49)	RS1/16SS332J			
	R 958 (A,60,20)	RS1/16SS101J			

CAPACITORS

C 701 (A,29,28)	CKSSYB104K10
C 702 (A,30,28)	CKSSYB471K50
C 703 (A,32,28)	CKSSYB104K10

FM/AM TUNER UNIT

FM/AM TUNER UNIT has no service part.