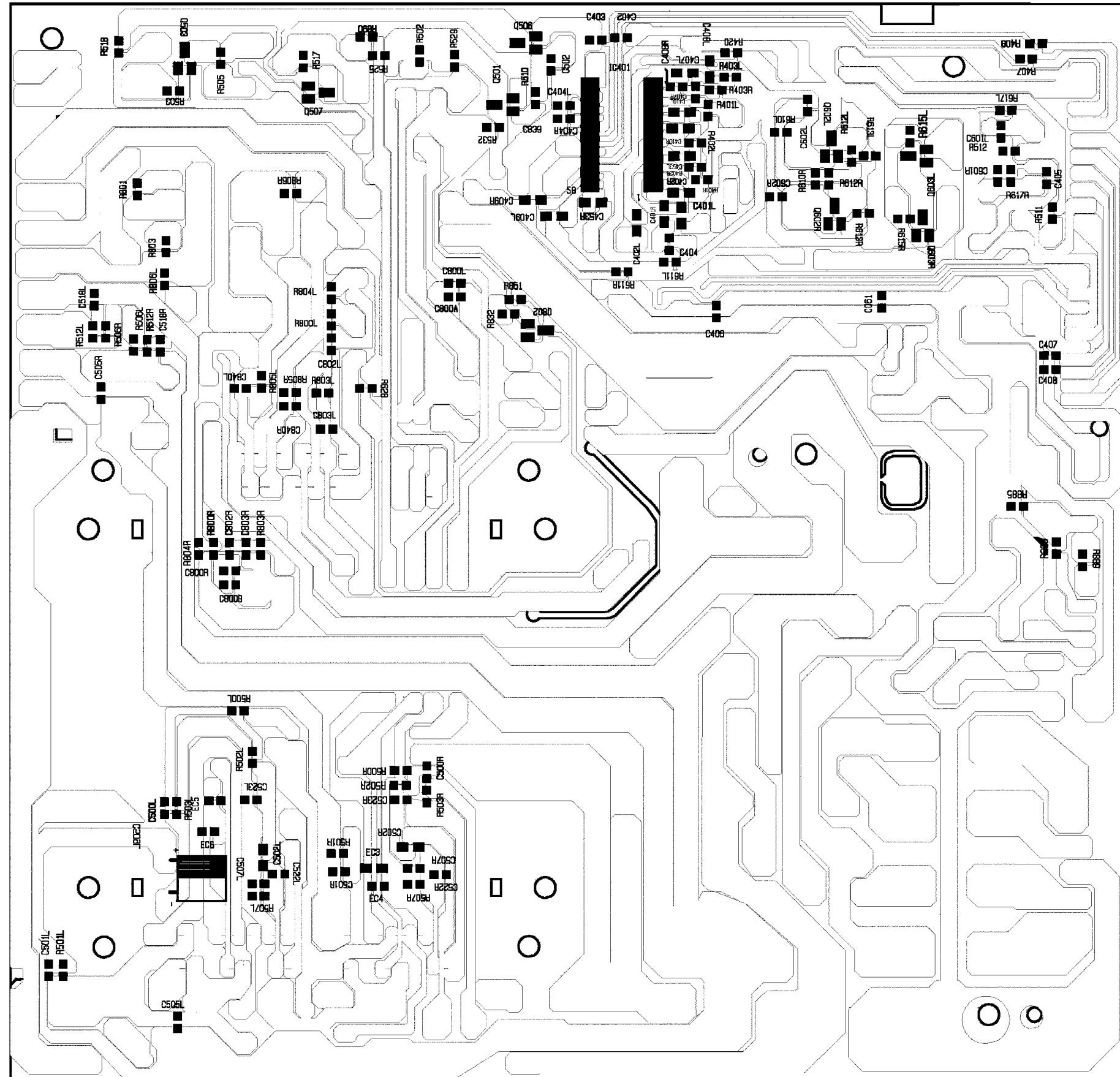
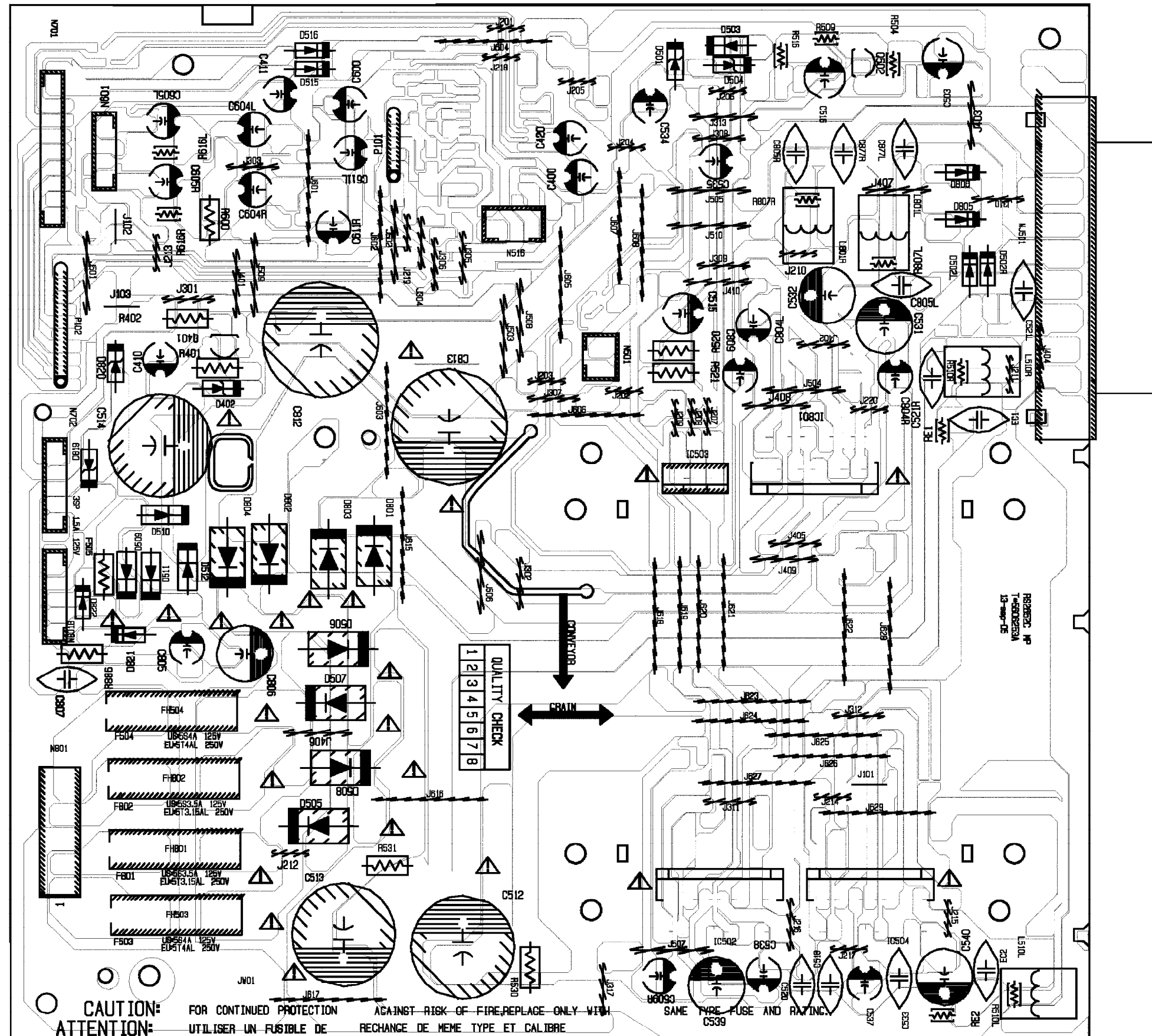


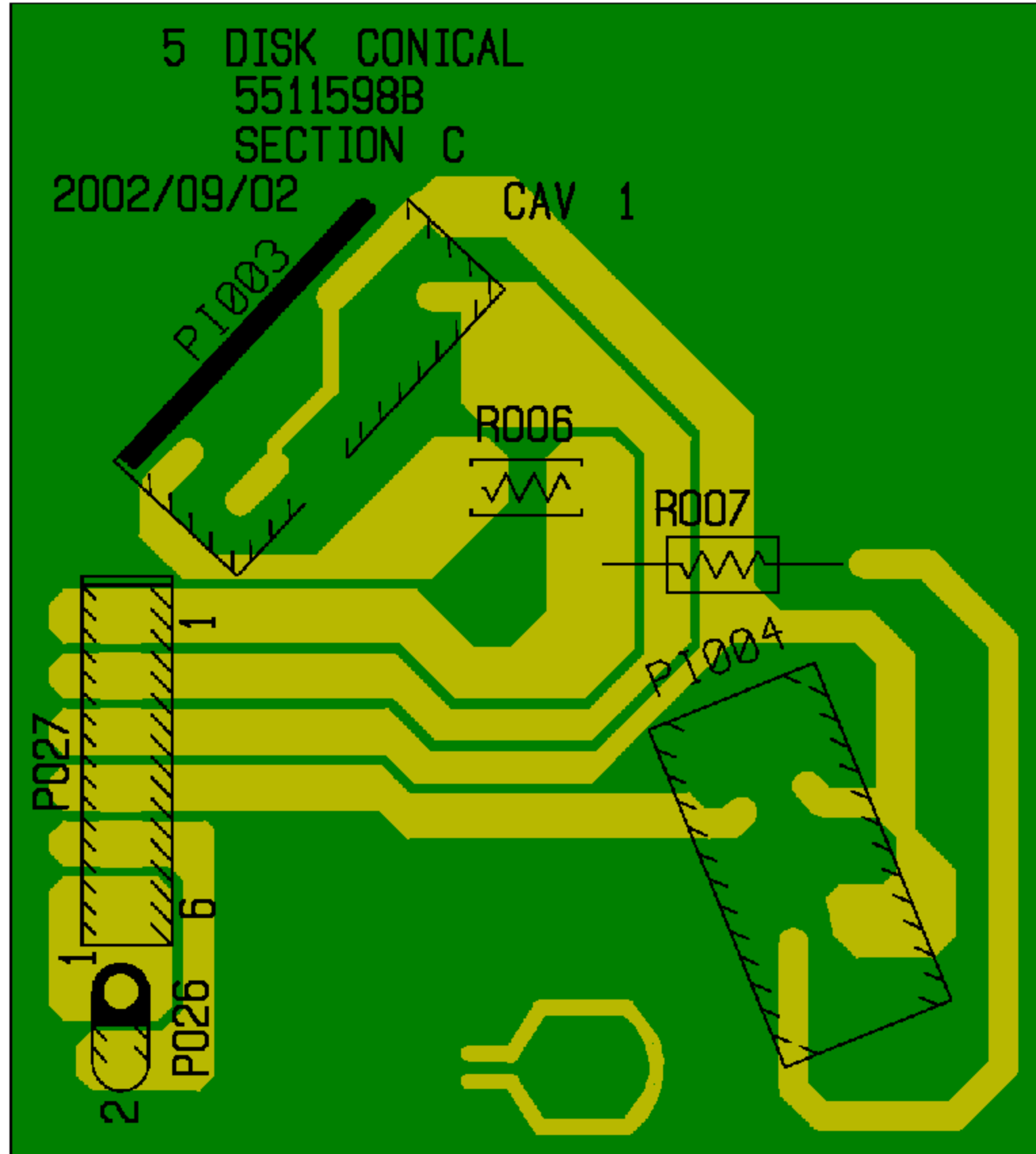
Main PCB (Bottom View)



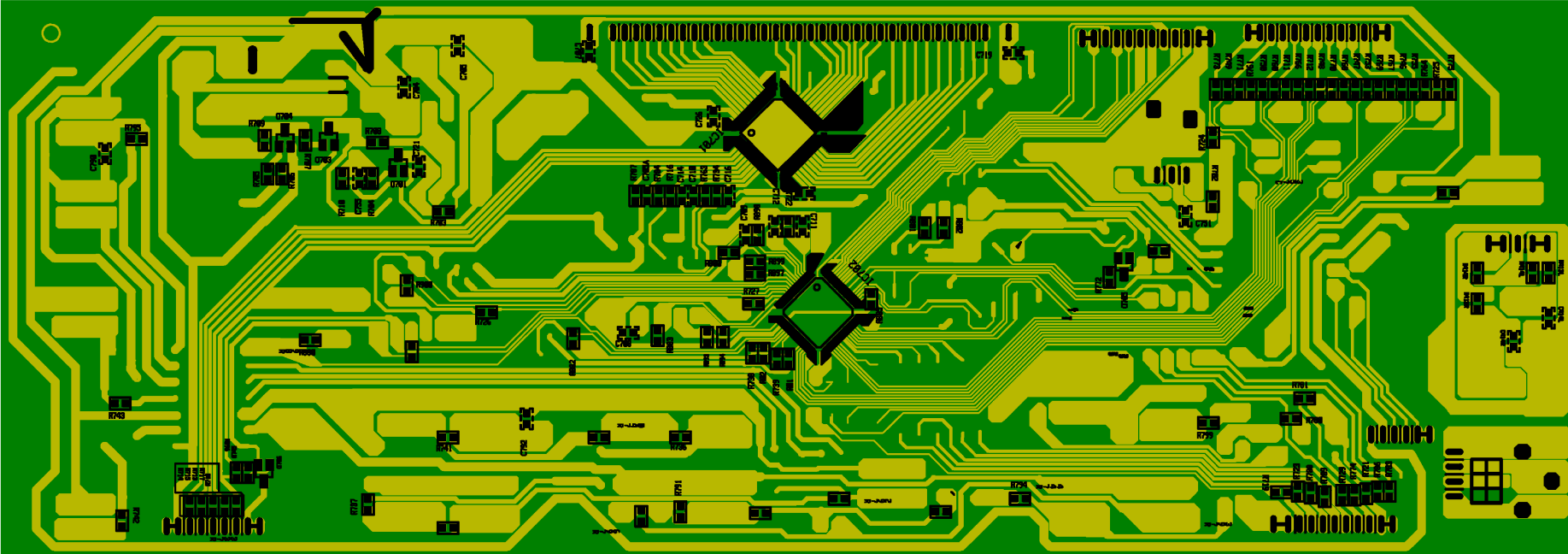
Main PCB (Top View)



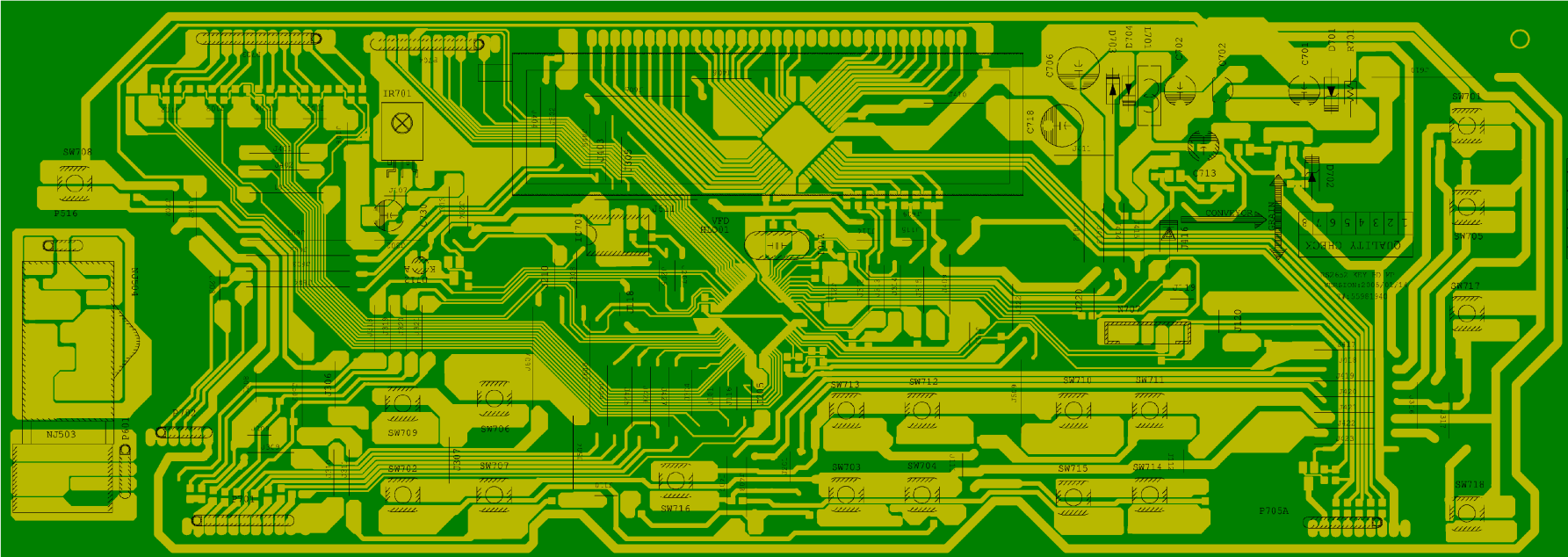
5511598B Carousel Motor PCB (top view)



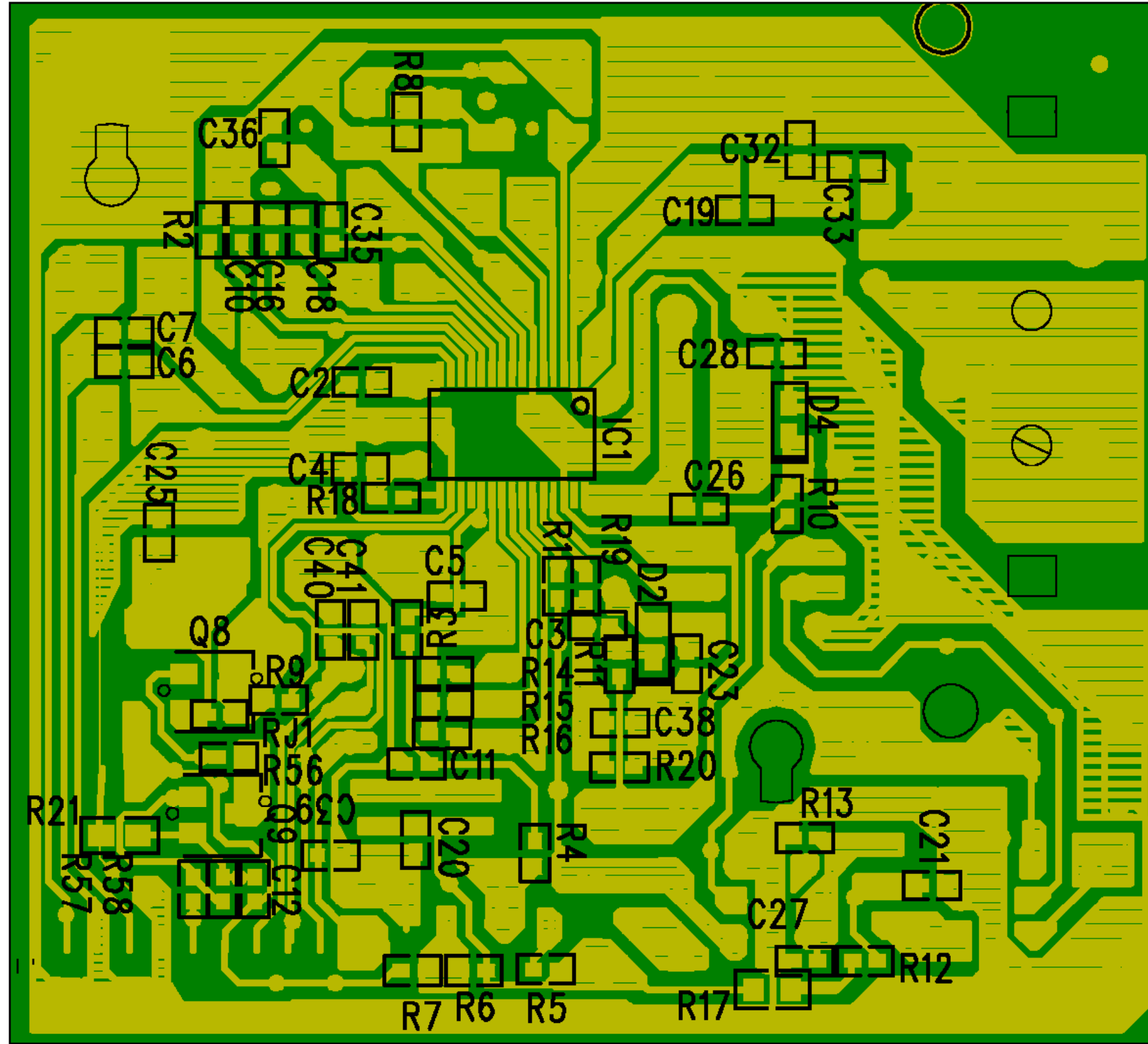
FRONT PANEL/KEYBOARD CIRCUIT BOARD (Bottom view)



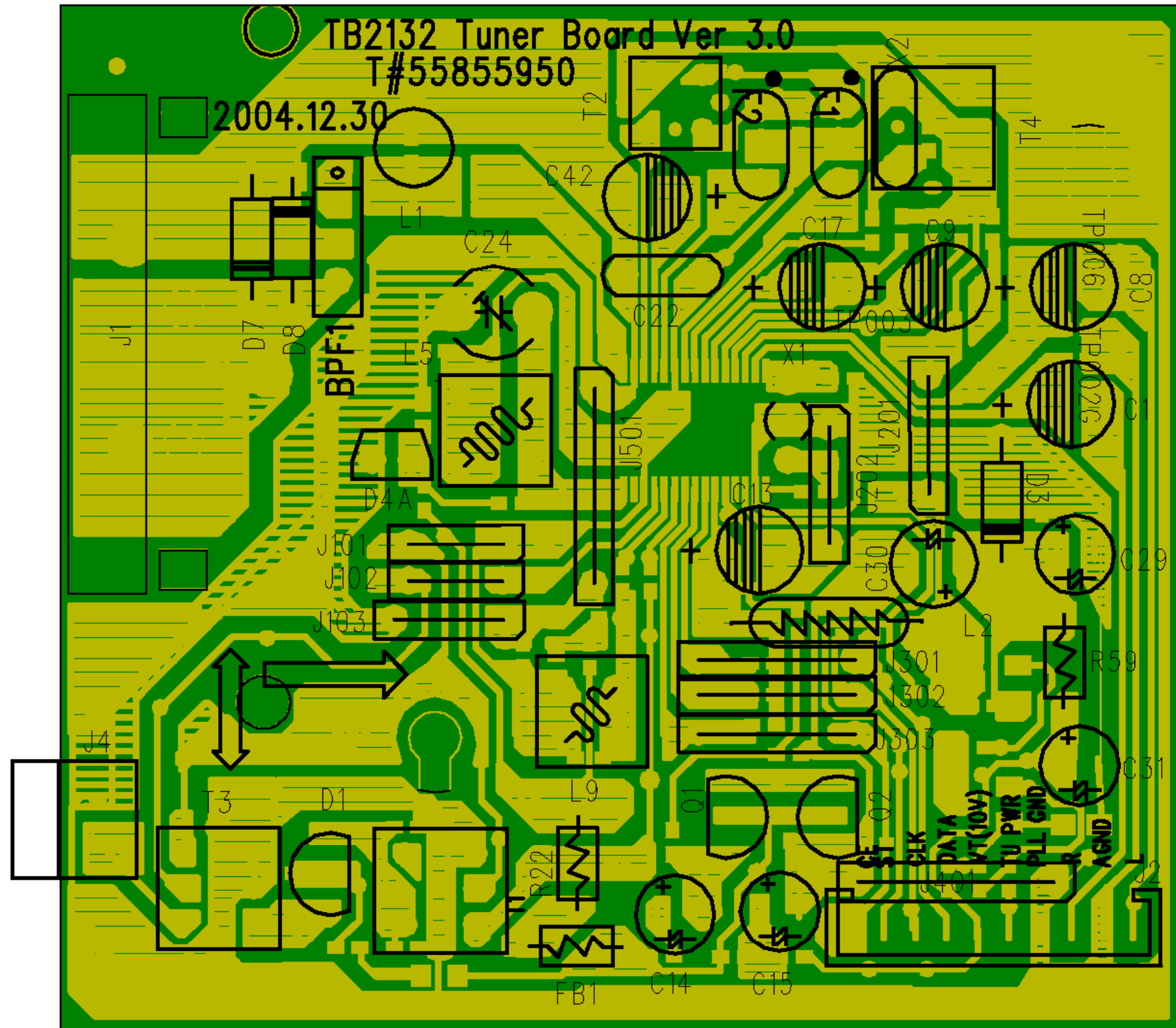
FRONT PANEL/KEYBOARD CIRCUIT BOARD (Top view)



Tuner PCB (Bottom View)



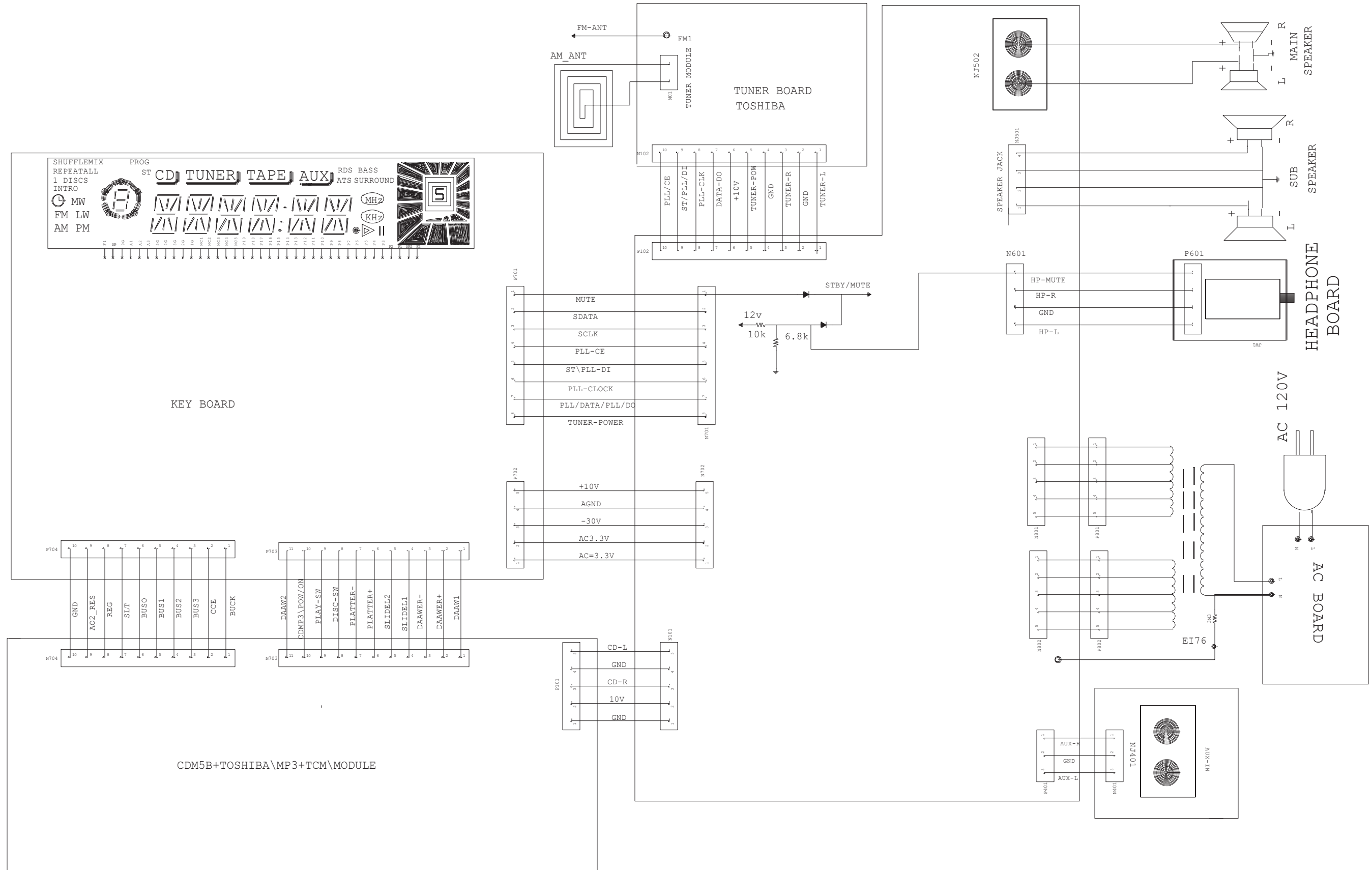
Tuner PCB (Top View)



RS2652C WIRING DIAGRAM

RS2620 - RS2652C

RCA

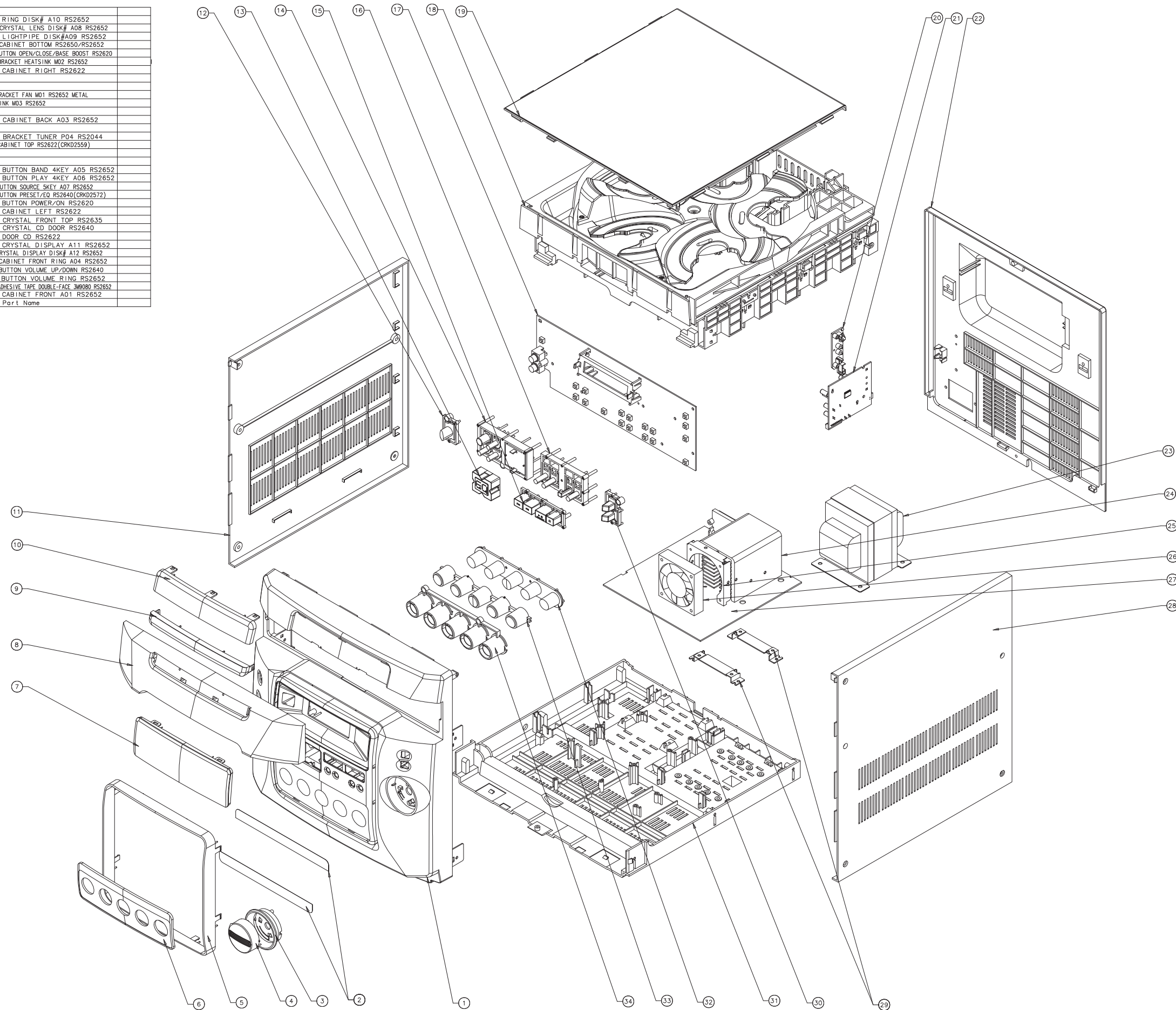


RS2652C EXPLODED VIEW

RS2620 - RS2652C

RCA

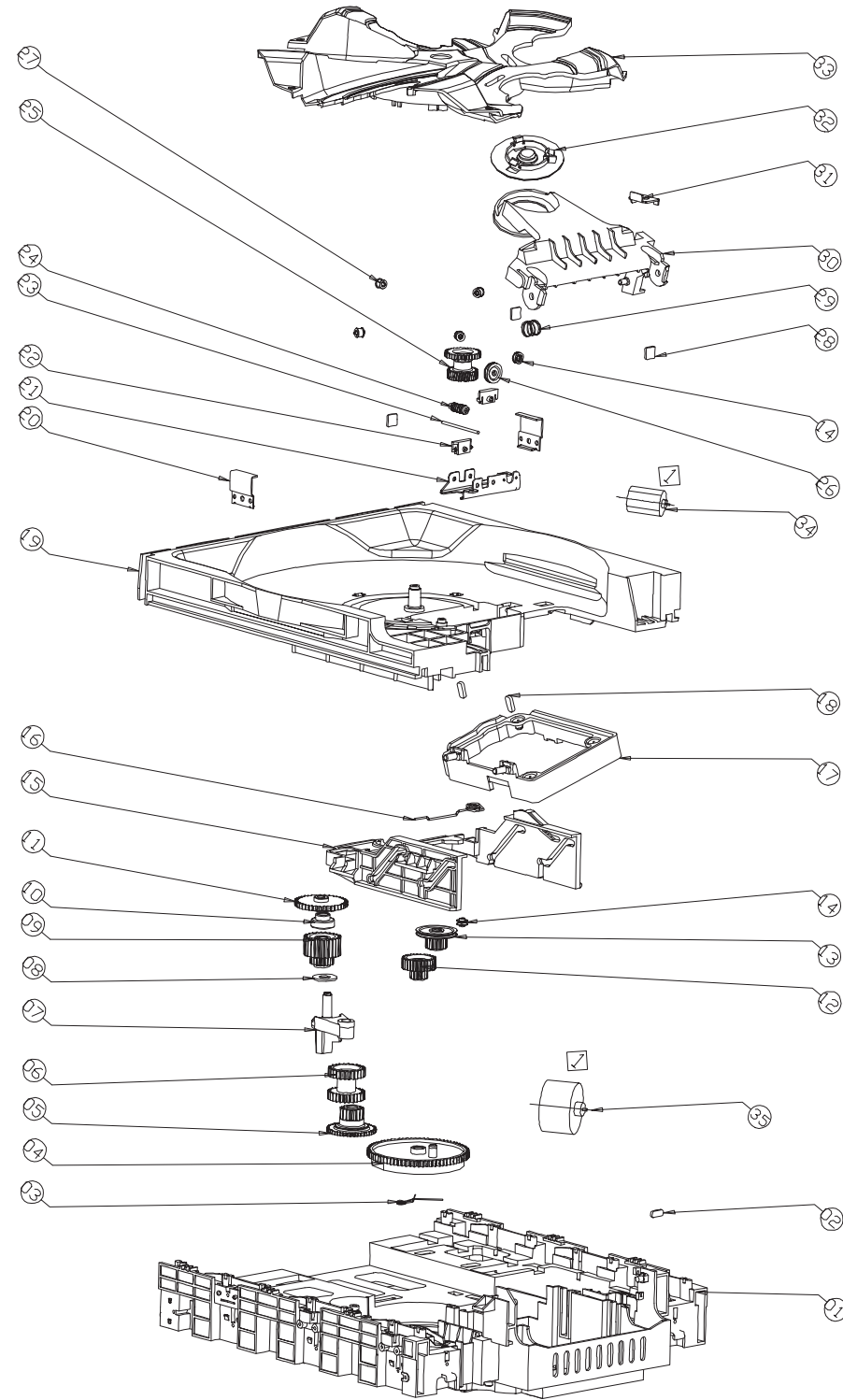
34	0190	55994460	AC DEC RING DISK# A10 RS2652	
33	0170	55991690	AC MLD CRYSTAL LENS DISK# A08 RS2652	
32	0180	56028370	AC DEC LIGHTPIPE DISK#A09 RS2652	
31	0050	55980970	AC MLD CABINET BOTTOM RS2650/RS2652	
30	0240	55536820	AC DEC BUTTON OPEN/CLOSE/BASE BOOST RS2620	
29	0070	55991300	AC PUN BRACKET HEATSINK M02 RS2652	
28	0070	55668470	AC MLD CABINET RIGHT RS2622	
27	M*PCB	-----	-----	
26	Fan	-----	-----	
25	0060	55991290	AC PUN BRACKET FAN M01 RS2652 METAL	
24	0080	55991310	AC HEATSINK M03 RS2652	
23	X*Former	-----	-----	
22	0080	55991570	AC MLD CABINET BACK A03 RS2652	
21	Tuner	-----	-----	
20	0440	56000150	AC MLD BRACKET TUNER P04 RS2044	
19	0090	55668480	AC MLD CABINET TOP RS2622(CRKD2559)	
18	CDMSB	-----	-----	
17	KeyBoard	-----	-----	
16	0120	55991650	AC DEC BUTTON BAND 4KEY A05 RS2652	
15	0130	55991660	AC DEC BUTTON PLAY 4KEY A06 RS2652	
14	0150	55991670	AC DEC BUTTON SOURCE 5KEY A07 RS2652	
13	0250	55858360	AC DEC BUTTON PRESET/EQ RS2640(CRKD2572)	
12	0230	55536800	AC DEC BUTTON POWER/ON RS2620	
11	0060	55668460	AC MLD CABINET LEFT RS2622	
10	0410	55841590	AC DEC CRYSTAL FRONT TOP RS2635	
9	0430	55858470	AC DEC CRYSTAL CD DOOR RS2640	
8	0110	55600830	AC DEC DOOR CD RS2622	
7	0200	55991700	AC DEC CRYSTAL DISPLAY A11 RS2652	
6	0210	55991710	AC DEC CRYSTAL DISPLAY DISK# A12 RS2652	
5	0100	55991600	AC DEC CABINET FRONT RING A04 RS2652	
4	0260	55858310	AC DEC BUTTON VOLUME UP/DOWN RS2640	
3	0300	55994610	AC DEC BUTTON VOLUME RING RS2652	
2	0540	56003910	TAPE-ADM ADHESIVE TAPE DOUBLE-FACE 3M9080 RS2652	
1	0040	55991530	AC DEC CABINET FRONT A01 RS2652	
No	Position	T#	Part Name	



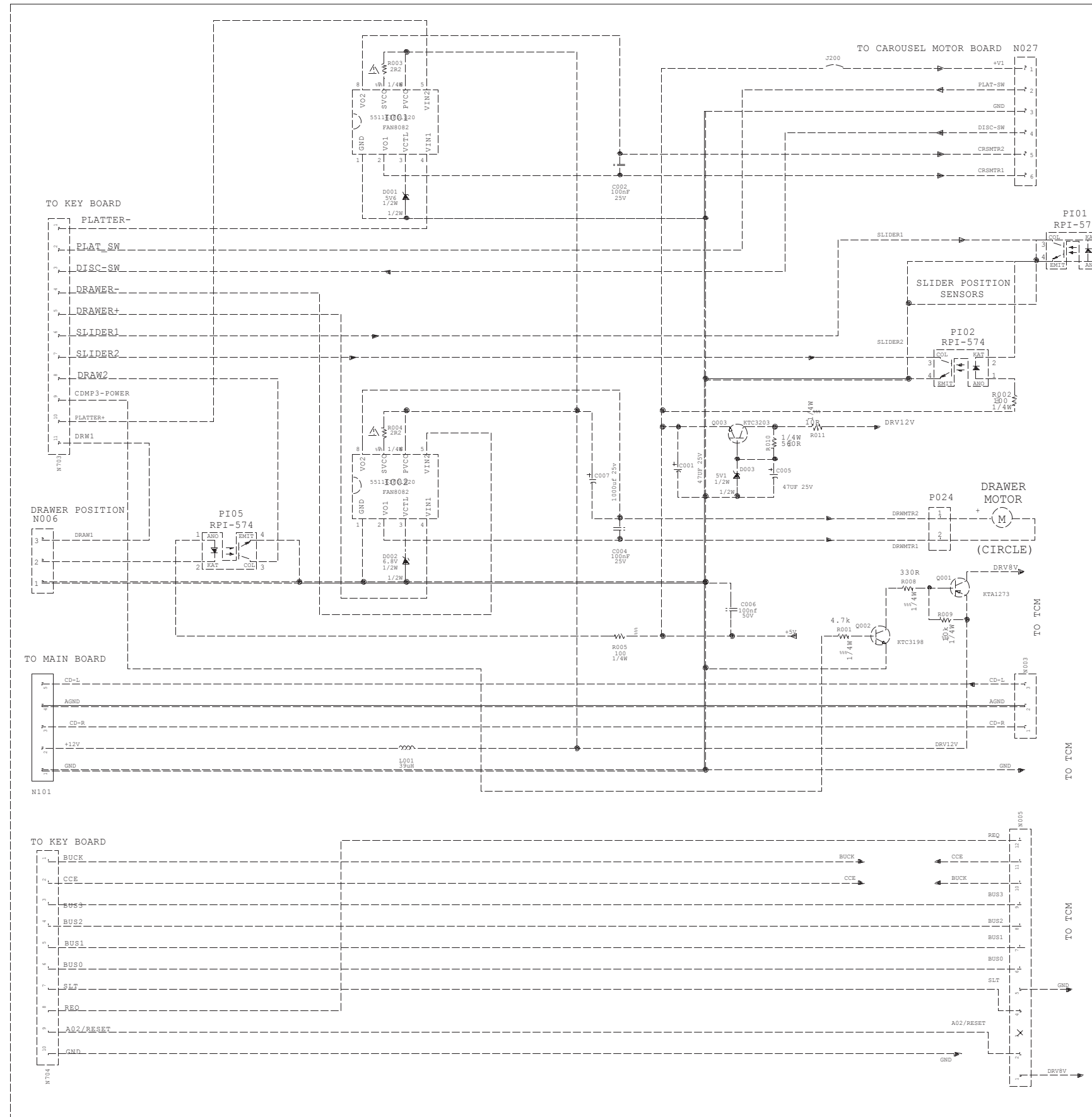
RS2652C CD MECH EXPLODED VIEW

RS2620 - RS2652C

RCA



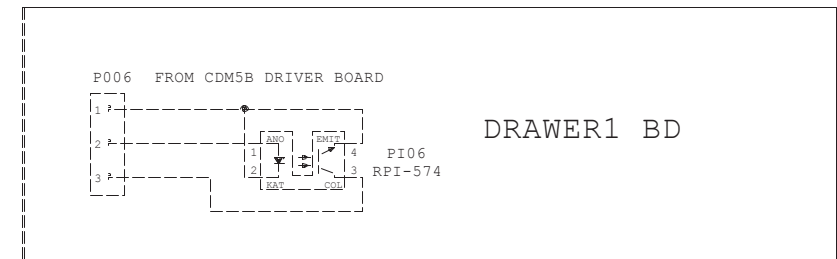
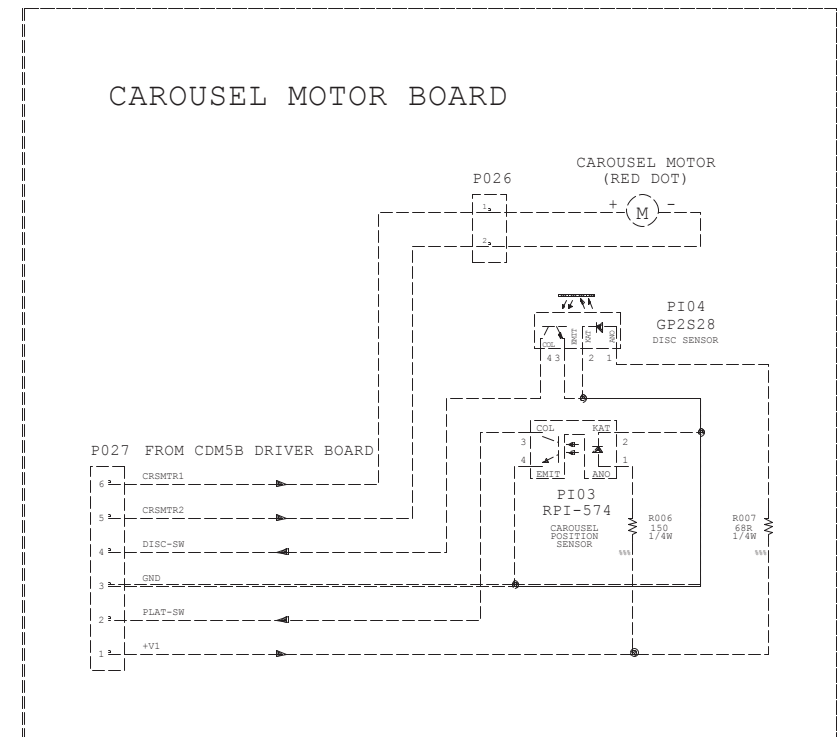
ITEM	TOCDM NO.	QTY	PART NAME
01	20980000	1	PLASTIC CD BASE
02	20979920	1	BUFFER
03	20979850	1	SPRING RETENTION
04	20979800	1	GEAR MAIN
05	20979830	1	GEAR PIVOT
06	20979760	1	GEAR DUAL IDLER
07	20979940	1	PLASTIC SWING ARM
08	55028010	1	NON-METAL FRICTION-A PAD
09	20979750	1	GEAR CLUTCH
10	20979950	1	PLASTIC SLIDING ROLLER
11	20979790	1	GEAR IDLER
12	20979770	1	GEAR DUAL
13	20979840	1	GEAR PULLEY
14	20979870	2	PLASTIC SPIN MOTOR PULLEY
15	20979740	1	PLASTIC CAM SLIDER
16	20979810	1	METAL MAIN GEAR TORSION SPRING
17	20979970	1	BRACKET PICK-UP
18	55023070	2	RUBBER PAD
19	20979990	1	PLASTIC CD DRAWER
20	20979820	2	METAL BRACKET
21	20979860	1	METAL SPIN MOTOR METAL BRACKET
22	20979960	2	PLASTIC BUSH
23	20979900	1	METAL WORM SHAFT
24	20979890	1	PLASTIC WORM
25	20979780	1	GEAR DUAL WORM
26	20979880	1	PLASTIC WORM PULLEY
27	20712170	4	PLASTIC ROLLER HUB
28	21014050	3	RUBBER STOPPER
29	21014080	2	SPRING PRESSURE
30	20979980	1	PLASTIC MAGNETIC ROTATION ARM
31	21014110	1	METAL WASHER
32	20582250	1	HOLDER MAGNET
33	20979930	1	PLASTIC PLATTER
34	20581820	1	MOTOR DC FF-130SH-14230
35	20581800	1	MOTOR DC RF-500TB



CDM5B DRIVER BOARD FROM AMP BOARD

NOTES:

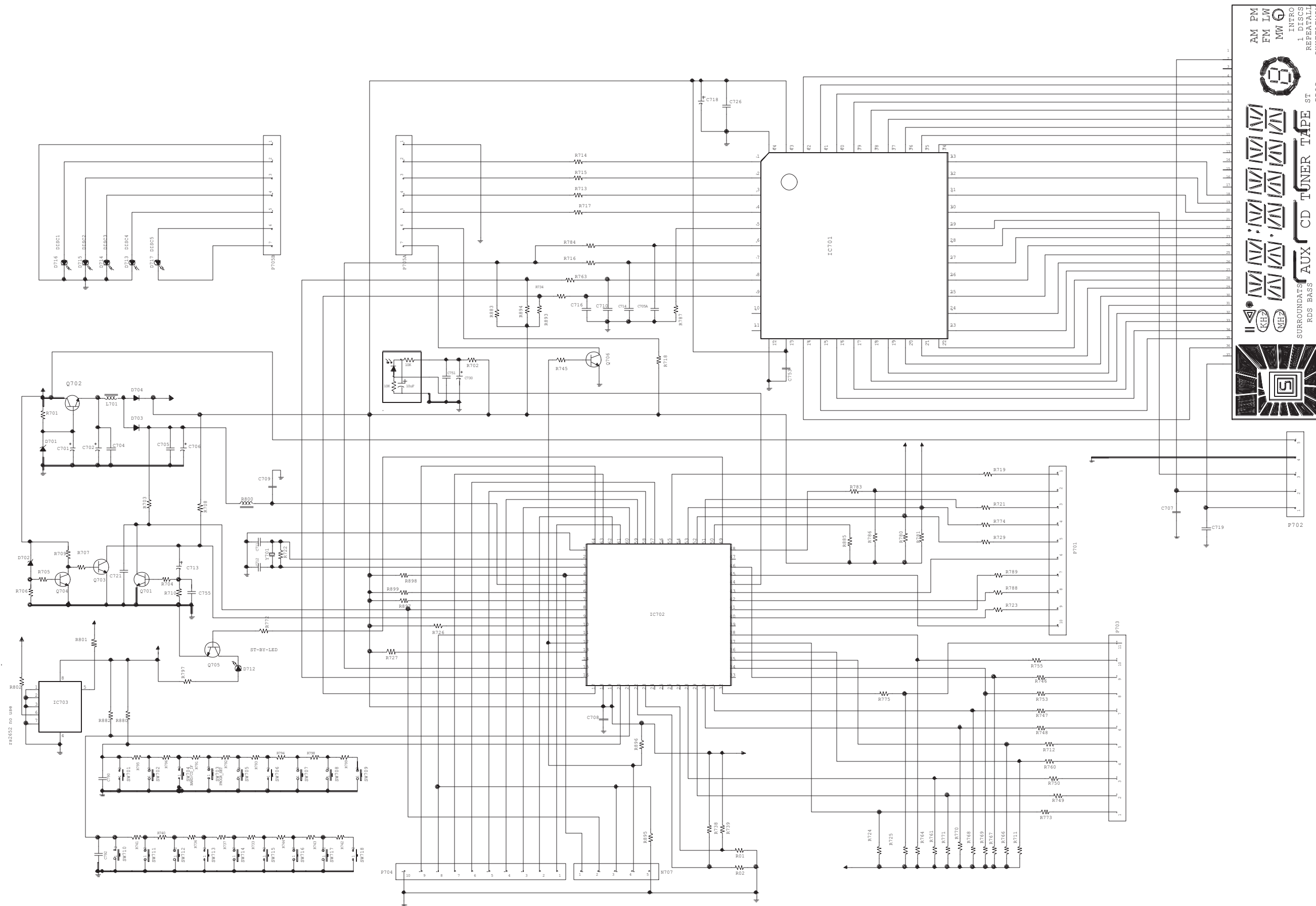
- Unless otherwise specified:
 - All resistor values are in ohms, 1/4W
 - All Capacitor values are in F
- Voltages are positive with respect to ground under no signal conditions and volume control minimum
- Replace transistors with type specified from replacement parts list
- Unless otherwise stated, all voltages taken in radio "on" position
- * and Δ indicates critical safety components. Replace only with those specified from replacement parts list to maintain proper performances and safety of this unit.



RS2652C KEY SCHEMATIC

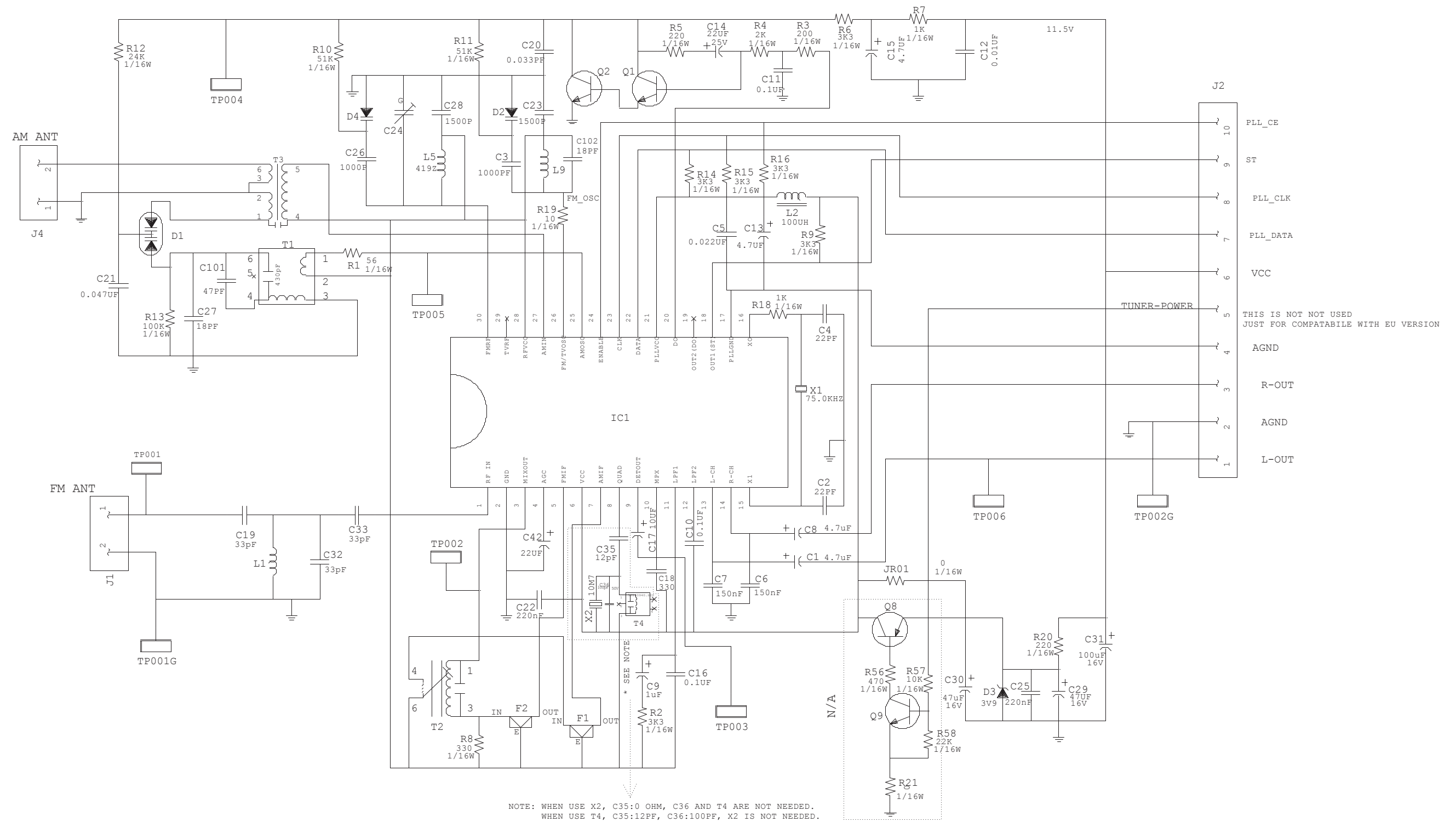
RS2620 - RS2652C

RCA



AM FM LW MW
INTRO REPEAT SHUFFLE
PROG ST
TUNER TAPE
CD AUX
SURROUND'S
RDS BASS
MHEC

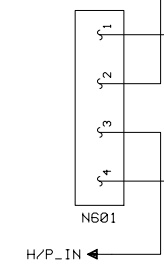
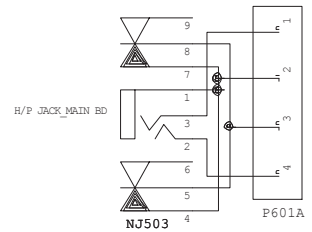
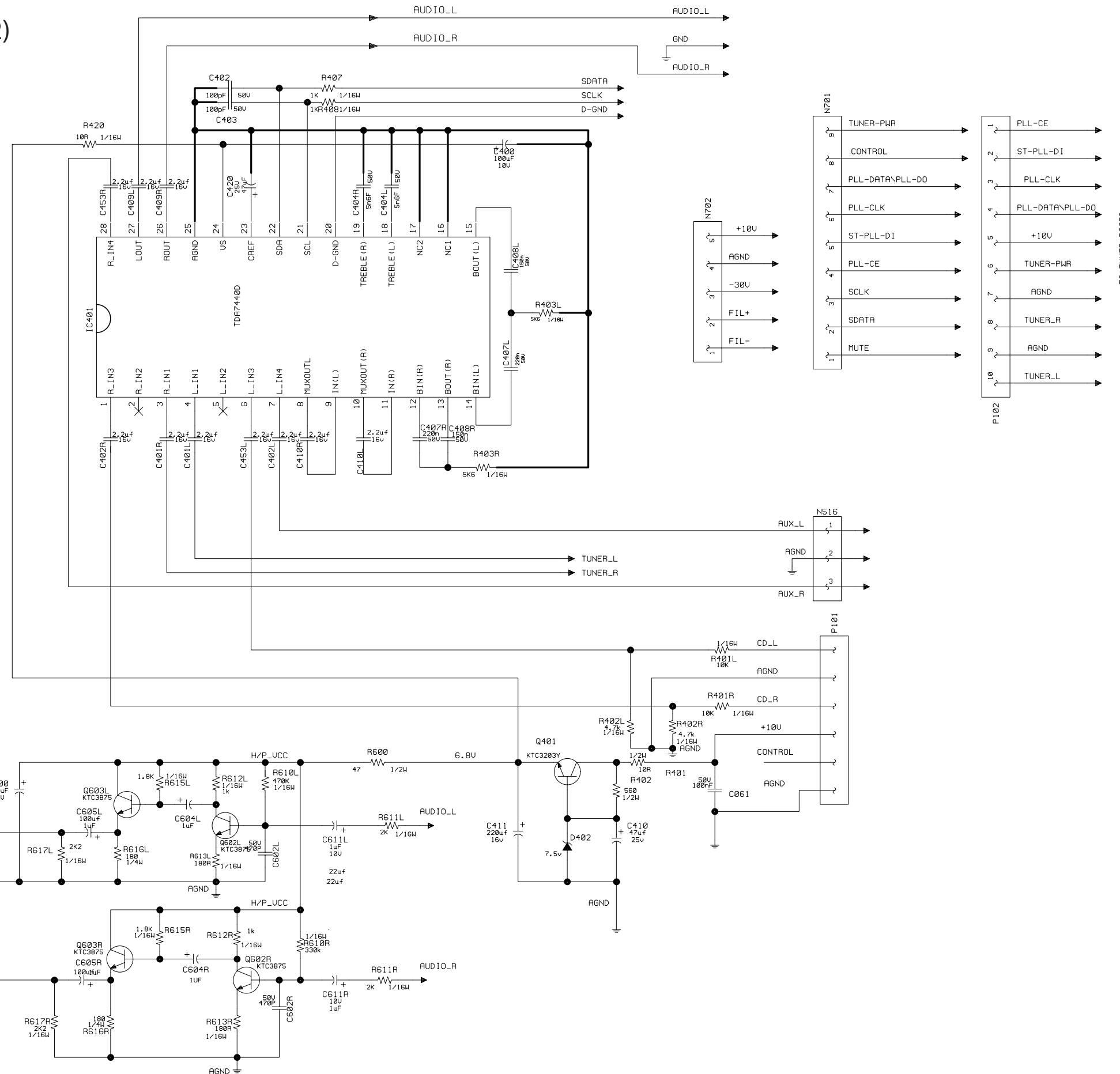
RS2652C TUNER SCHEMATIC



RS2652C MAIN SCHEMATIC (1 of 2)

NOTES:

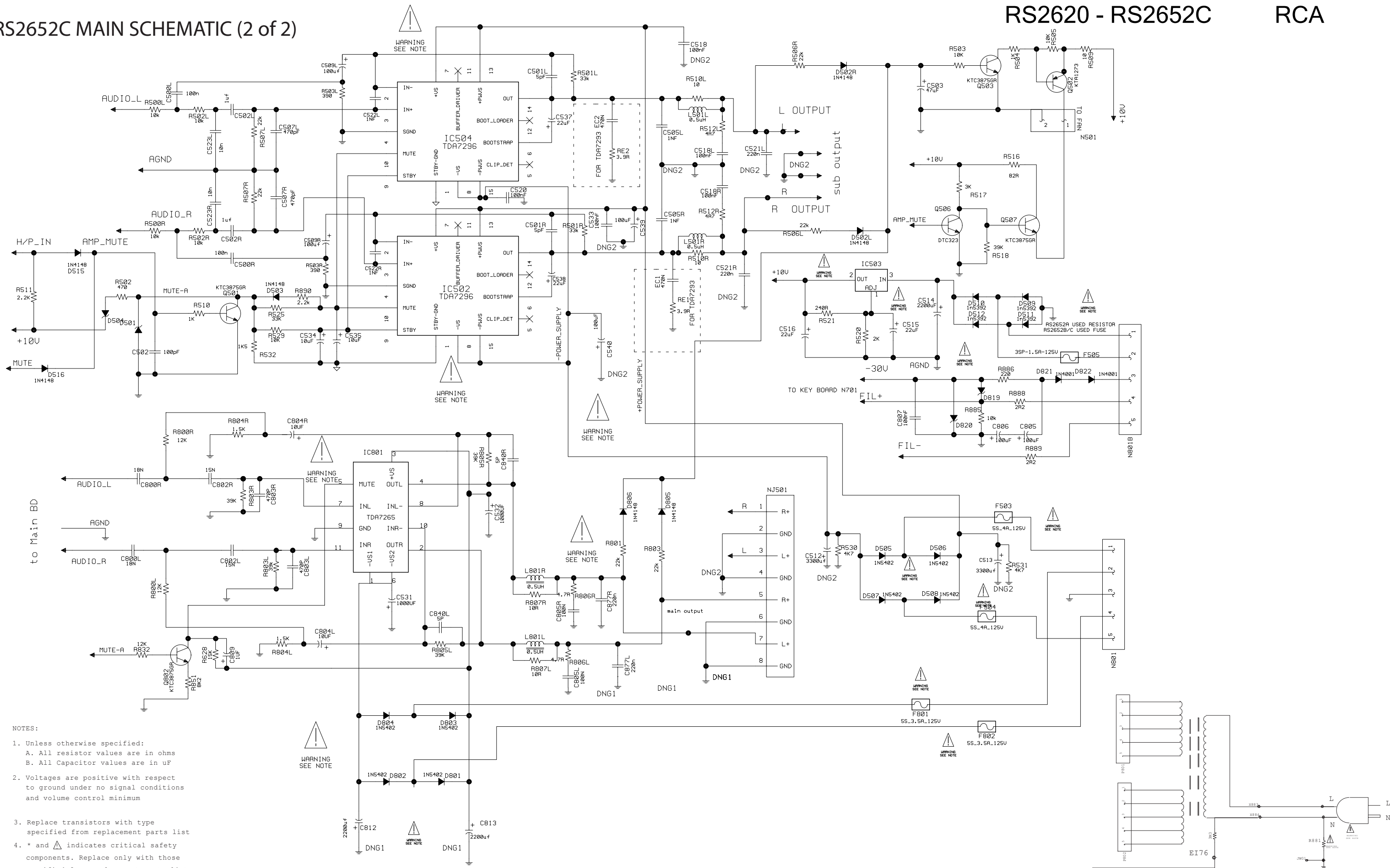
- Unless otherwise specified:
 - All resistor values are in ohms, 1/4W
 - All Capacitor values are in uF
- Voltages are positive with respect to ground under no signal conditions and volume control minimum
- Replace transistors with type specified from replacement parts list
- Unless otherwise stated, all voltages taken in radio "on" position
- * and Δ indicates critical safety components. Replace only with those specified from replacement parts list to maintain proper performances and safety of this unit.



RS2652C MAIN SCHEMATIC (2 of 2)

RS2620 - RS2652C

RCA



- NOTES:
1. Unless otherwise specified:
 A. All resistor values are in ohms
 B. All Capacitor values are in uF
 2. Voltages are positive with respect to ground under no signal conditions and volume control minimum
 3. Replace transistors with type specified from replacement parts list
 4. * and ⚠ indicates critical safety components. Replace only with those specified from replacement parts list to maintain proper performances and safety of this unit.