

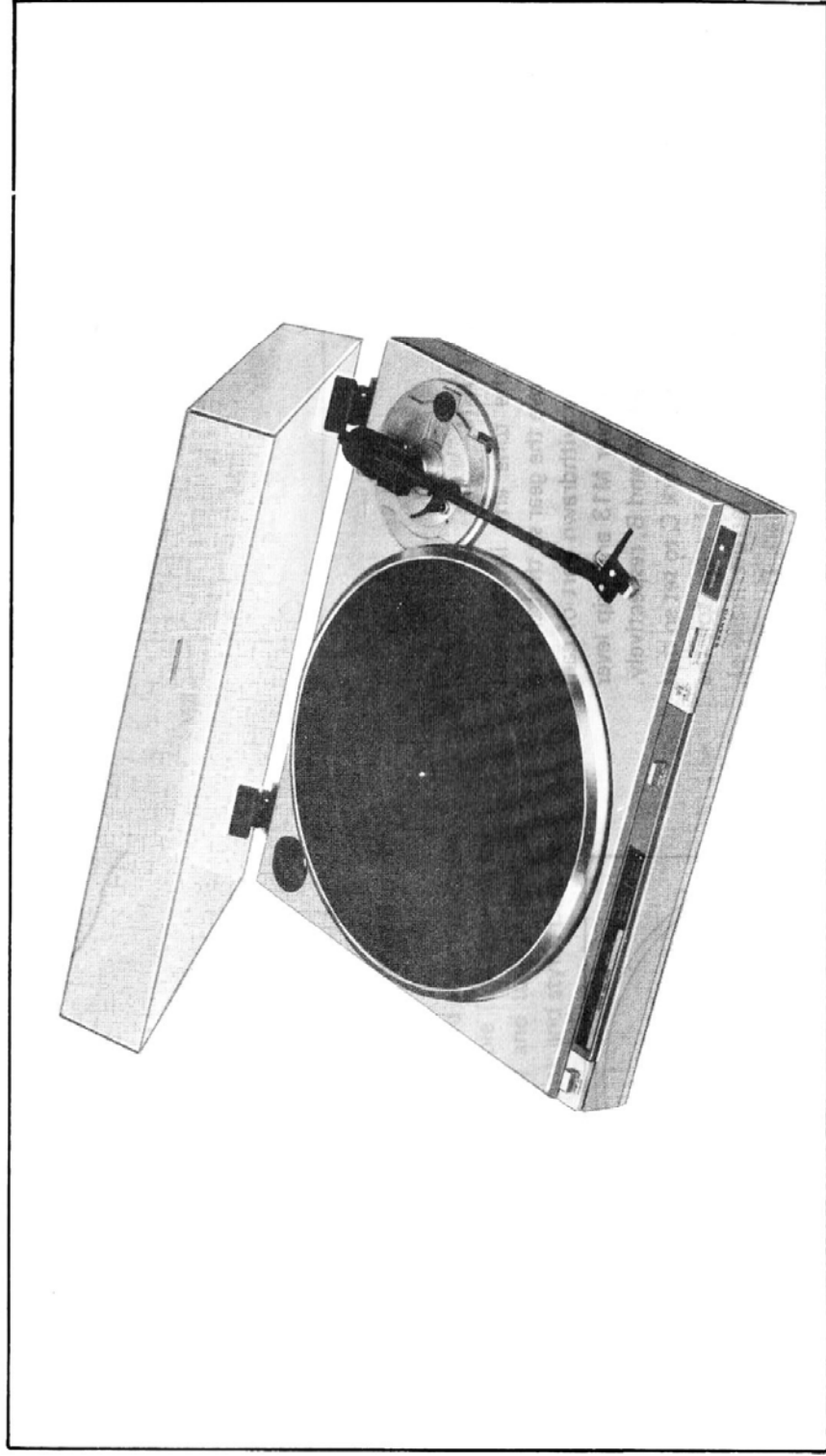
SERVICE MANUAL



STEREO TURNTABLE

TP 1400

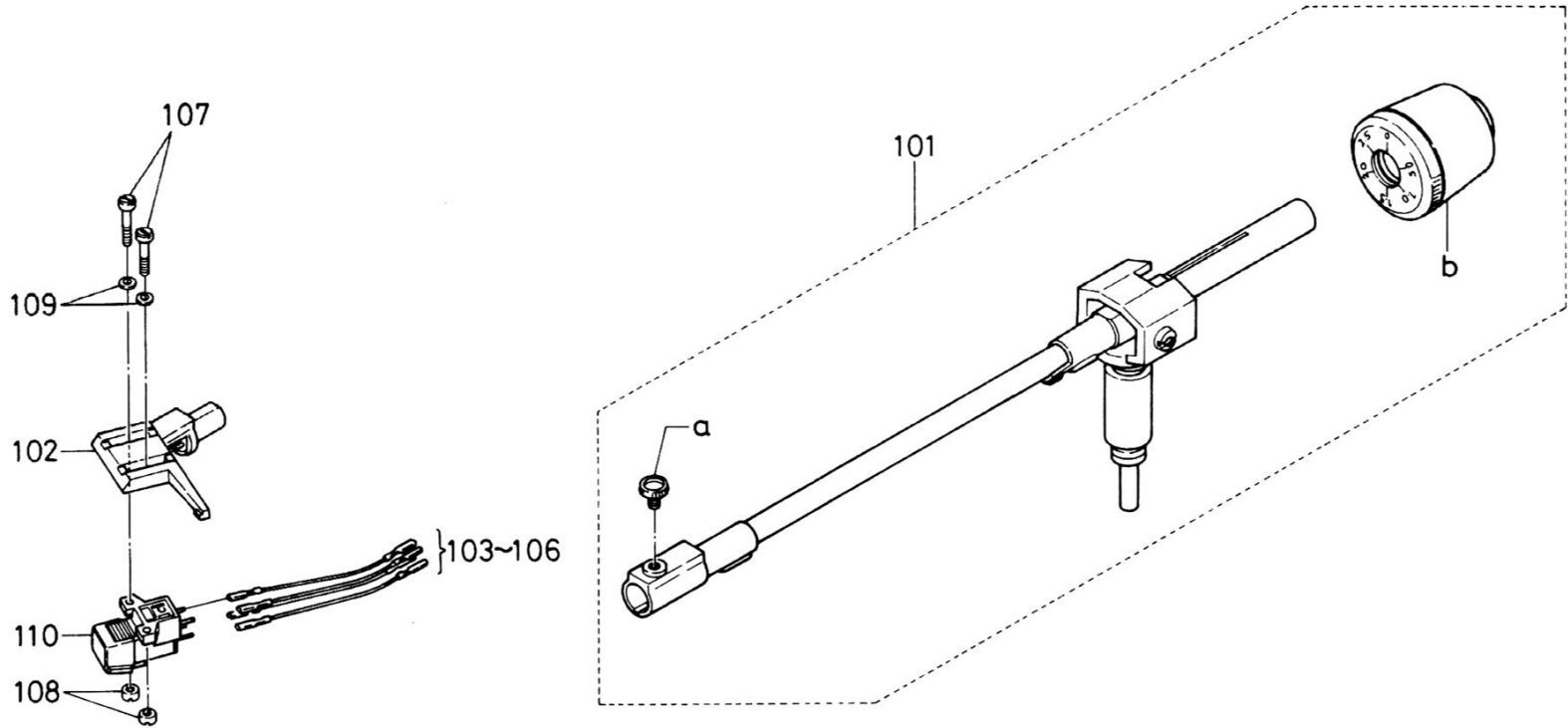
(EUROPE)



SPECIFICATIONS

Motor	DC FG servo motor	Stylus	0.6 mil diamond stylus No. ATN3601
Drive system	Belt drive / Full auto	Stylus pressure	1.5 - 2.5 g
Speed	33-1/3 and 45 rpm	Frequency response	20 - 20,000 Hz
Speed deviation	± 3.0%	Channel separation	20 dB
Wow and flutter	0.05% (WRMS)	Power source	AC: 220V, 50 Hz
Rumble	-70dB (DIN B spec)	Power consumption	6.5W
Turntable platter	306 mm (12")	Dimensions (Approx.)	420(W) x 370(D) x 126(H) mm (16-1/2" x 14-1/2" x 5")
Tone arm	Static-balance Straight type	Weight (Approx.)	4 kg (9 lbs.)
Tracking error	±1.5°		
Overhang	15 mm		
Cartridge	Magnetic stereo cartridge: VM type No. AT3601		

ARM EXPLODED VIEW

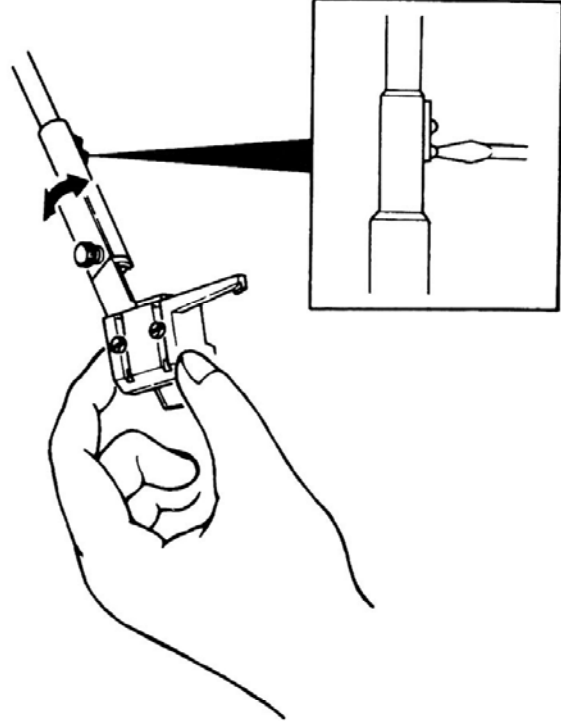


SANYO ELECTRIC TRADING CO., LTD.
33, Hiyoshi-cho 2-chome, Moriguchi-shi,
Osaka-fu, 570 Japan.

ADJUSTMENT

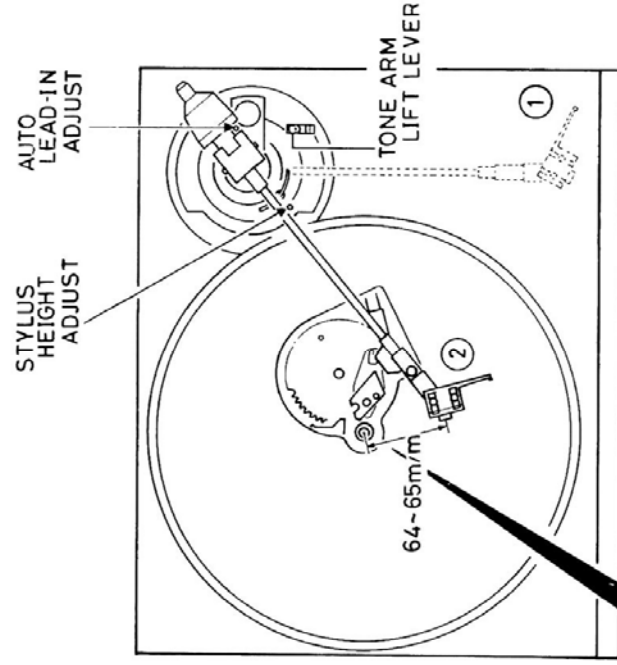
ADJUSTMENT OF HEADSHELL

The headshell attached to the tonearm should not be inclined either to the right or to the left. If necessary, loosen the two screws on the bottom of the tubular arm and adjust the headshell. Be sure that the stylus is normal to the record surface.



ADJUSTMENT OF AUTO-RETURN

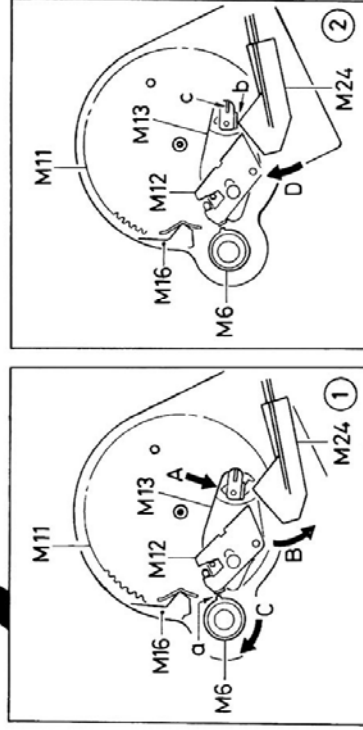
Remove the turntable to set the tone arm in the reset position (1). Under this state, move the gear so that the tip of lever M16 intermeshes with the withdrawn part of cam for main gear. Besides, lower trip lever M13 and trip lever M24 pushed toward the arrow marks A and B, respectively. Turn pipe Assy. M6 toward the arrow mark C to set so that the convex part of pinion and the tip of claw for the engagement lever M12 contact each other (arrow mark a). Next, move the tone arm (toward arrow mark D). When the distance between the center shaft of turntable and the needle tip becomes 64 thru 65 mm (2), insert a blade screwdriver into part C, and adjust by turning it clockwise or counterclockwise so that the tip of trip lever M24 begins to contact with lower trip lever M13 (arrow mark b). Finally put on the turntable, and check the performance of auto-return.



ADJUSTMENT OF AUTO. LEAD-IN

Place a record disk on the turntable, and depress the START/STOP switch to check the dropping position of needle tip.

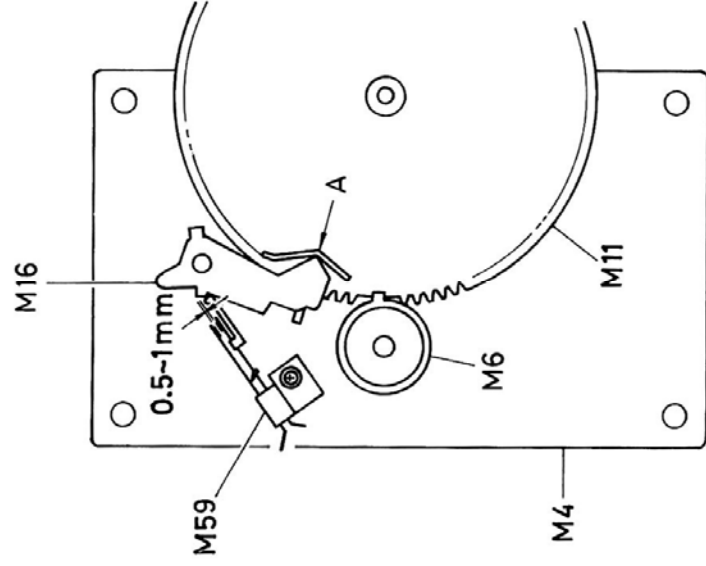
Should the needle tip not drop nicely onto the lead-in groove of record disk, insert a screwdriver into the "AUTO. LEAD-IN ADJUST" hole, and turn it appropriately to adjust the dropping position of needle tip.



ADJUSTMENT

ADJUSTMENT OF LEAF SWITCH

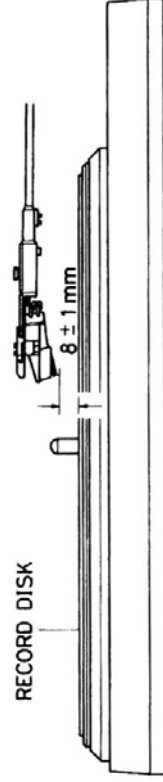
Fix leaf switch M59 so that its inter-contact distance will become $0.5 \sim 1$ mm when the tip of lever M16 intermeshes with the withdrawn part of cam area (arrow A) of main gear M11.



ADJUSTMENT OF STYLUS HEIGHT

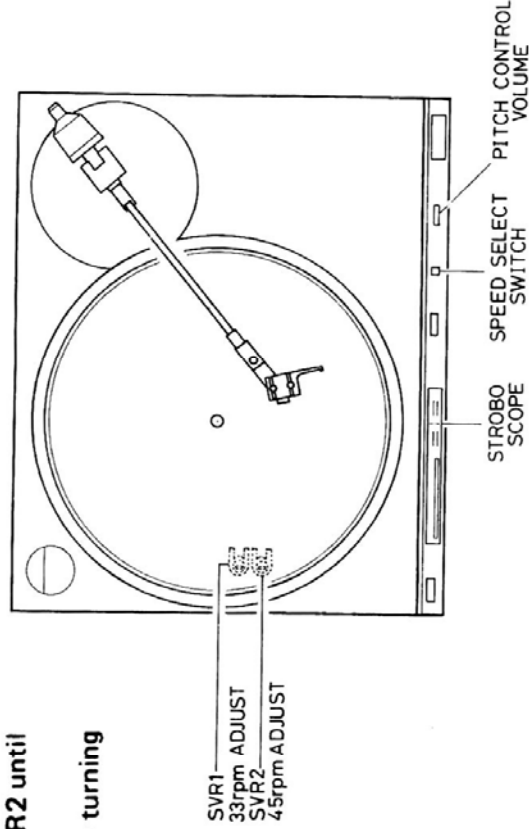
Setting the record disk in place, raise the tonearm lift lever.

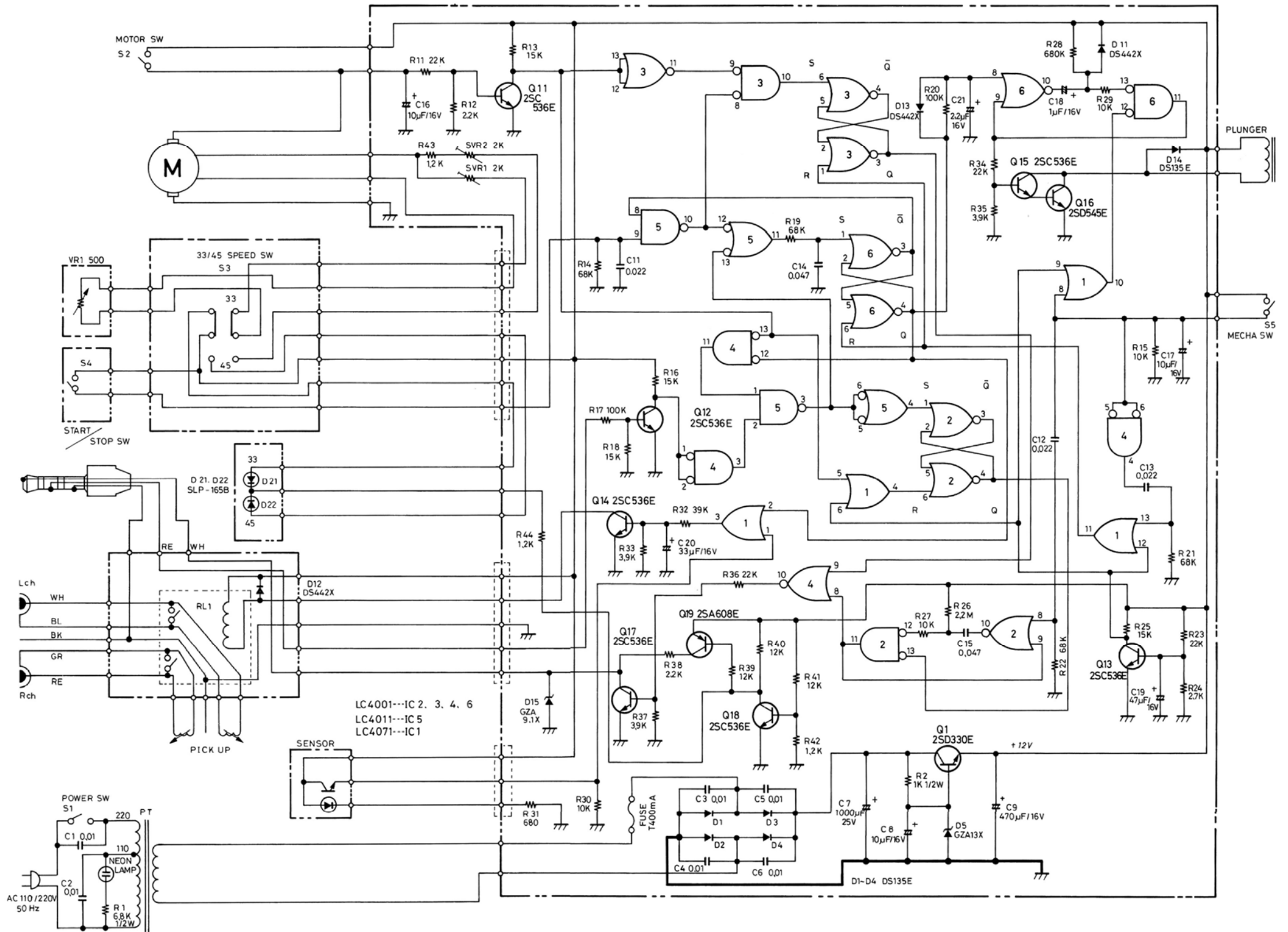
Bring the tonearm to above the disk, and insert a screwdriver into the "stylus height adjust" hole (see drawing for ADJUSTMENT OF AUTO-RETURN) and turn it right or left until the distance between the disk and stylus becomes 8 ± 1 mm.



ADJUSTMENT OF TURNTABLE SPEED

Setting the pitch control in the middle position, place the speed select switch in the 45 rpm position. Insert a screwdriver from the bottom of deck panel and turn SVR2 until the stroboscope pattern appears dead. Similarly, change to 33 rpm position, and adjust by turning SVR1.





MECHANISM EXPLODED VIEW

