

YAMAHA HI-FI STEREO

SERVICE MANUAL

MODEL **CA-500/700**

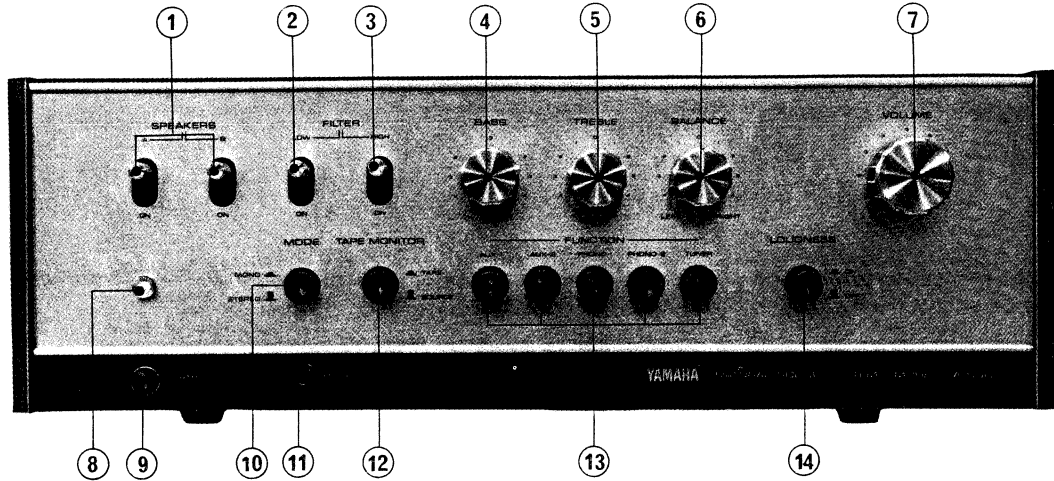
© **NIPPON GAKKI CO., LTD**

CONTENTS

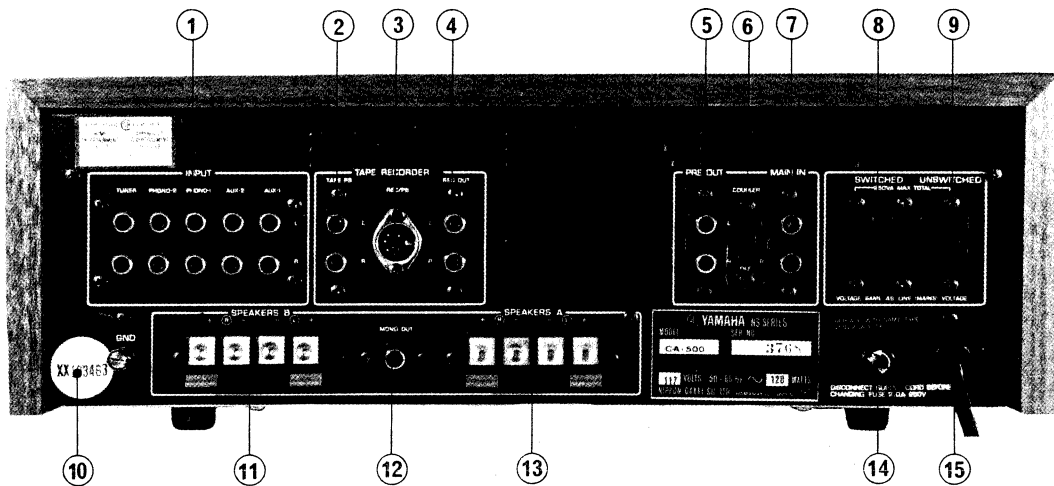
CA-500 EXTERNAL VIEW	2
CA-700 EXTERNAL VIEW	4
CA-500 INTERNAL VIEWS	6
CA-700 INTERNAL VIEWS	7
SPECIFICATIONS	8
ALIGNMENT PROCEDURES	9
CA-700 Main AMP. Circuit Board	9
CA-500 Main AMP. Circuit Board	1i
CA-700 Protector Circuit Board	12
PRINTED CIRCUIT BOARD AND PARTS LISTS	13
CA-500 Pre AMP. Circuit Board	13
CA-700 Pre AMP. Circuit Board	14
CA-700 Pre AMP. (MC) Circuit Board	15
CA-500 Main AMP. Circuit Board	16
CA-700 Main AMP. Circuit Board	17
CA-500/700 Function Circuit Board	18
CA-500/700 Power Circuit Board	18
CA-500 Mode Circuit Board	19
CA-700 Filter Circuit Board	19
CA-500/700 Power SW. Circuit Board	19
CA-700 Audio Muting Circuit Board	19
CA-500/700 Tone Circuit Board	20
CA-500/700 Volume Circuit Board	21
CA-500 Filter Circuit Board	22
CA-500 Loudness Circuit Board	22
CA-700 Protector Circuit Board	22
CA-700 Fuse Circuit Board	23
CA-500 Fuse Circuit Board	23
CA-700 MIC Circuit Board	23
CA-700 EXPLODED VIEW AND PARTS LISTS	24
CA-500 EXPLODED VIEW AND PARTS LISTS	28
AUSTRALIAN, SO. AFRICAN, EUROPEAN MODELS SPECIFICATIONS	32
CA-500 OVERALL SCHEMATIC DIAGRAM	33
CA-700 OVERALL SCHEMATIC DIAGRAM	35
PACKING INSTRUCTION	37

CA-500 EXTERNAL VIEW

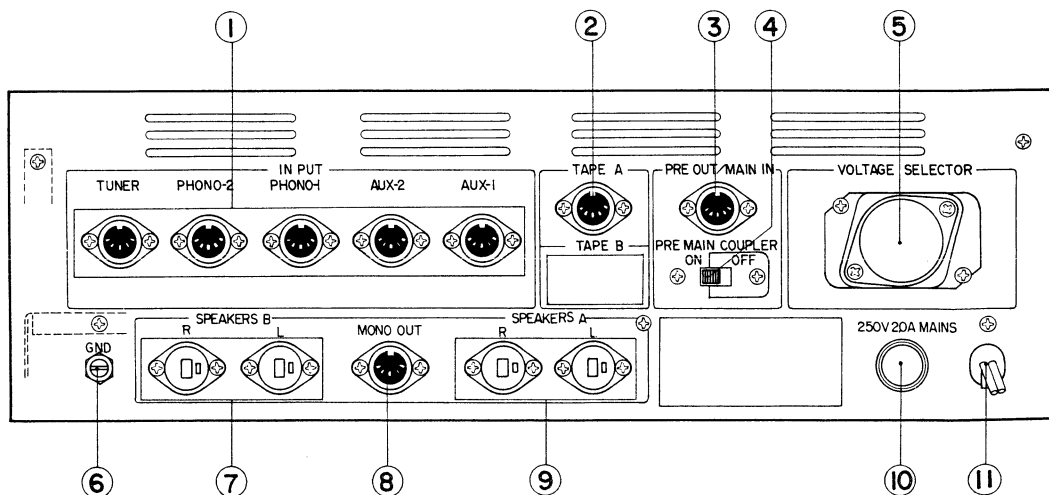
FRONT PANEL



REAR PANEL



REAR PANEL
(EUROPE TYPE)



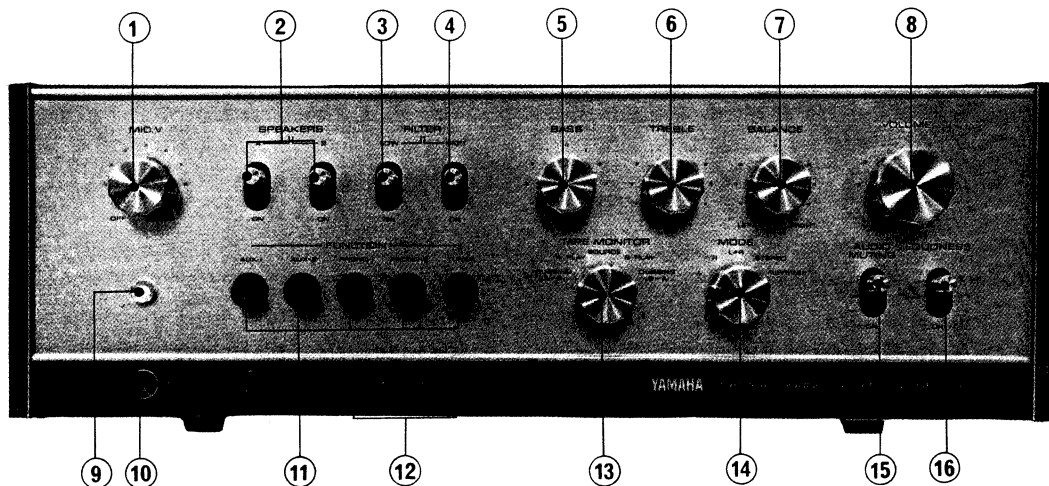
- 1 SPEAKER SWITCHES
- 2 LOW FILTER SWITCH
- 3 HIGH FILTER SWITCH
- 4 BASS CONTROL
- 5 TREBLE CONTROL
- 6 BALANCE CONTROL
- 7 VOLUME CONTROL
- 8 POWER ON-OFF INDICATOR
- 9 POWER SWITCH
- 10 MODE SWITCH
- 11 PHONES JACK
- 12 TAPE MONITOR SWITCH
- 13 FUNCTION SWITCHES
- 14 LOUDNESS SWITCH

-
- 1 TUNER, PHONO, AUX INPUT JACKS
 - 2 TAPE PLAYBACK JACKS
 - 3 REC./P.B. DIN CONNECTOR
 - 4 RECORD OUTPUT JACKS
 - 5 PRE AMP. OUTPUT JACKS
 - 6 PRE-MAIN AMP. COUPLER SWITCH
 - 7 MAIN AMP. INPUT JACKS
 - 8 AC SOCKETS (SWITCHED)
 - 9 AC SOCKET (UNSWITCHED)
 - 10 GROUND TERMINAL
 - 11 SPEAKER TERMINALS (B)
 - 12 MONO OUTPUT TERMINAL
 - 13 SPEAKER TERMINALS (A)
 - 14 AC LINE FUSE
 - 15 AC LINE CORD

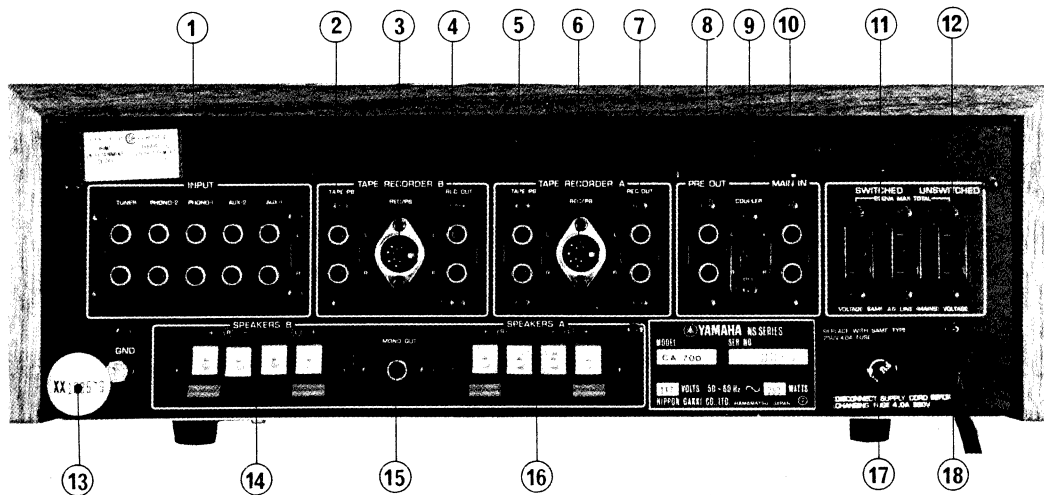
-
- 1 TUNER, PHONO, AUX INPUT CONNECTORS (DIN)
 - 2 TAPE REC./P.B. CONNECTOR (DIN)
 - 3 PRE AMP. OUTPUT & MAIN AMP. INPUT
 - 4 PRE-MAIN AMP. COUPLER SWITCH
 - 5 AC VOLTAGE SELECTOR
 - 6 GROUND TERMINAL
 - 7 SPEAKER CONNECTORS (B)
 - 8 MONO OUTPUT CONNECTOR
 - 9 SPEAKER CONNECTORS (A)
 - 10 AC LINE FUSE
 - 11 AC LINE CORD

CA-700 EXTERNAL VIEW

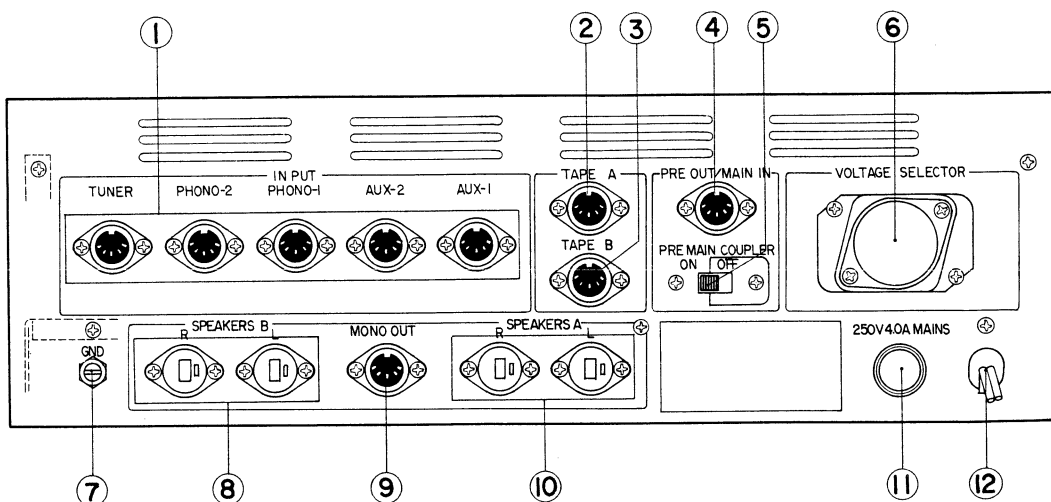
FRONT PANEL



REAR PANEL



**REAR PANEL
(EUROPE TYPE)**

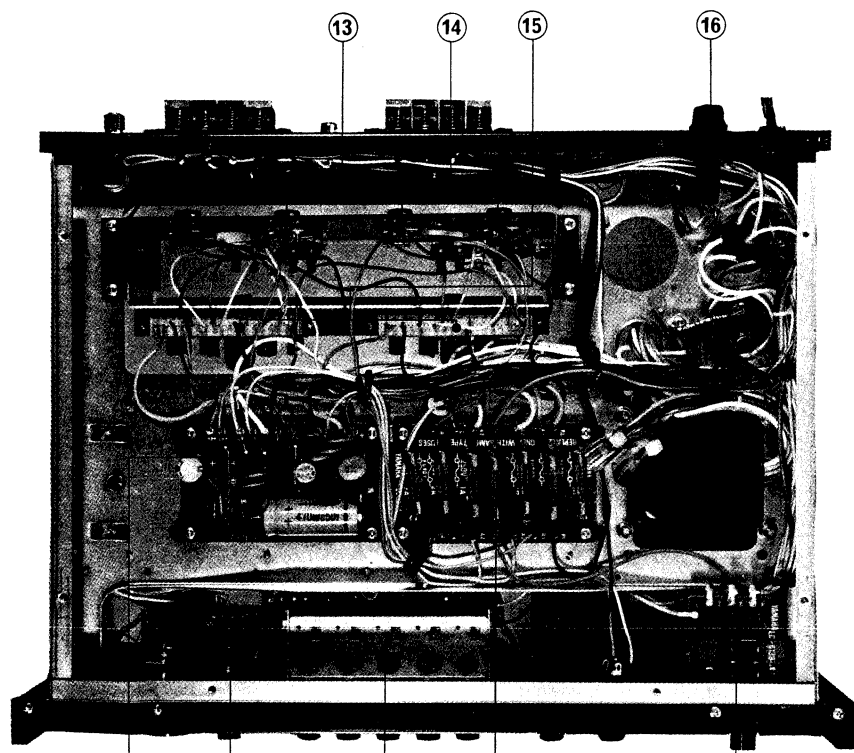
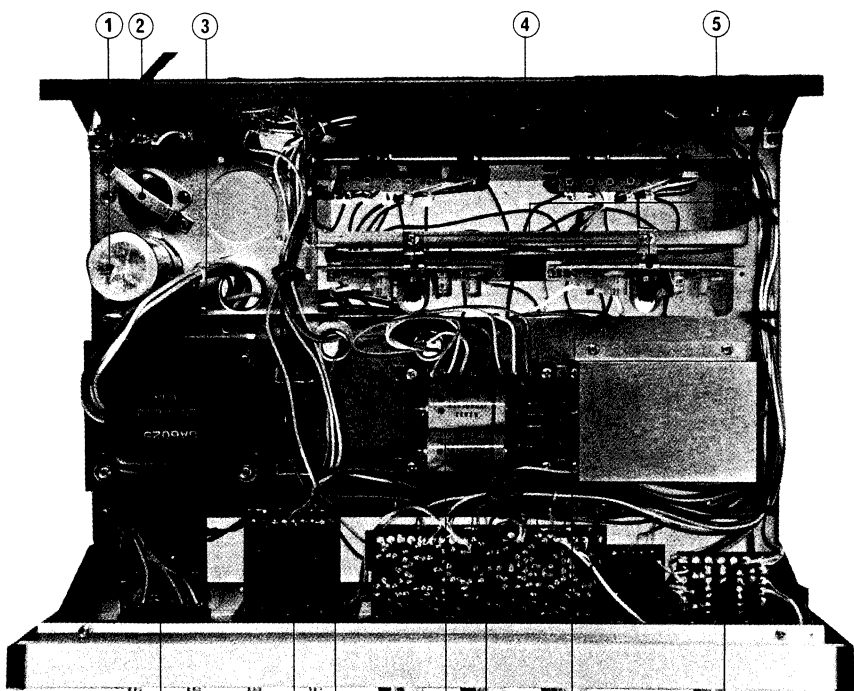


- | | | | |
|----|-----------------------------|----|---------------------|
| 1 | MIC VOLUME CONTROL & SWITCH | 14 | MODE SWITCH |
| 2 | SPEAKER SWITCHES | 15 | AUDIO MUTING SWITCH |
| 3 | LOW FILTER | 16 | LOUDNESS SWITCH |
| 4 | HIGH FILTER | | |
| 5 | BASS CONTROL | | |
| 6 | TREBLE CONTROL | | |
| 7 | BALANCE CONTROL | | |
| 8 | VOLUME CONTROL | | |
| 9 | POWER ON-OFF SWITCH | | |
| 10 | POWER SWITCH | | |
| 11 | FUNCTION SWITCHES | | |
| 12 | MIC JACKS | | |
| 13 | TAPE MONITOR SWITCH | | |

-
- | | | | |
|----|-------------------------------|----|-----------------------|
| 1 | TUNER, PHONO, AUX INPUT JACKS | 14 | SPEAKER TERMINALS (B) |
| 2 | TAPE PLAYBACK JACKS (B) | 15 | MONO OUTPUT TERMINAL |
| 3 | REC./P.B. DIN CONNECTOR (B) | 16 | SPEAKER TERMINALS (A) |
| 4 | RECORD OUTPUT JACKS (B) | 17 | AC LINE FUSE |
| 5 | TAPE PLAYBACK JACKS (A) | 18 | AC LINE CORD |
| 6 | REC./P.B. DIN CONNECTOR (A) | | |
| 7 | RECORD OUTPUT JACKS (A) | | |
| 8 | PRE-AMP. OUTPUT JACKS | | |
| 9 | PRE-MAIN AMP. COUPLER SWITCH | | |
| 10 | MAIN AMP. INPUT JACKS | | |
| 11 | AC SOCKETS (SWITCHED) | | |
| 12 | AC SOCKET (UNSWITCHED) | | |
| 13 | GROUND TERMINAL | | |

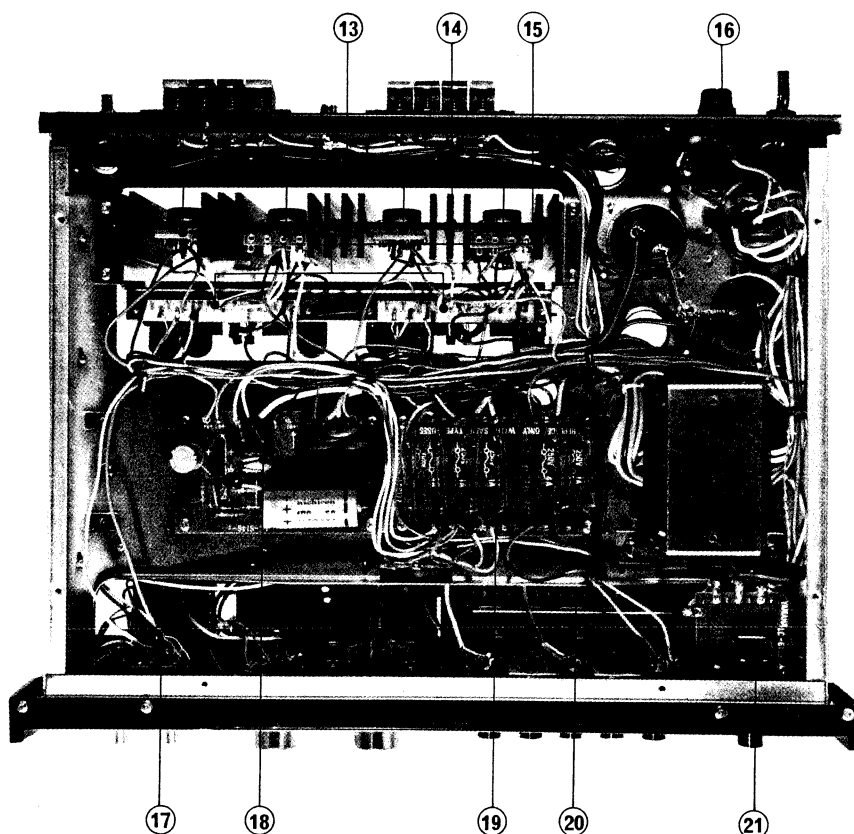
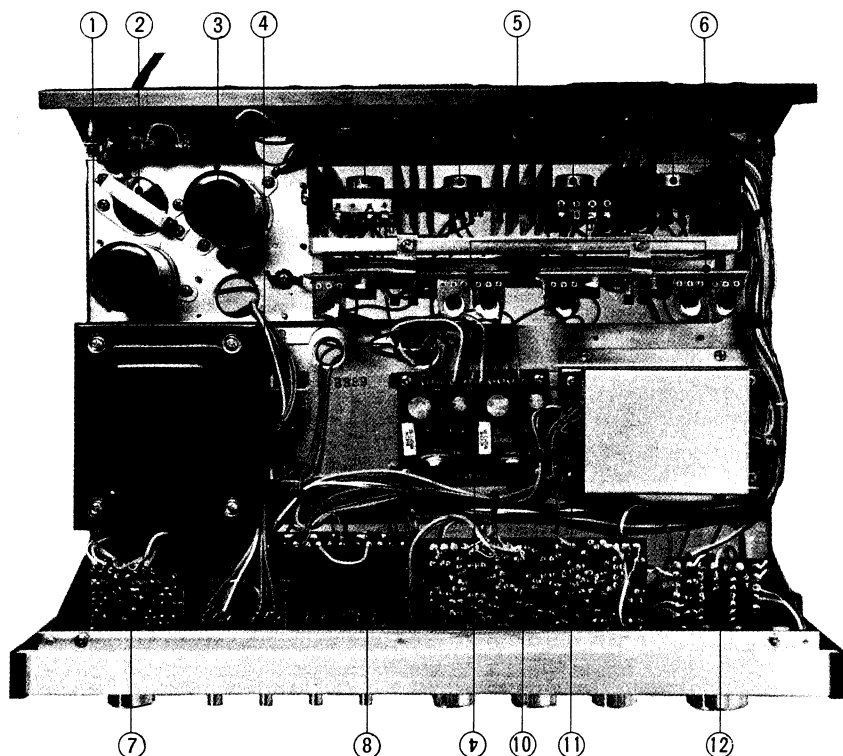
-
- | | |
|----|---|
| 1 | TUNER, PHONO, AUX INPUT CONNECTOR (DIN) |
| 2 | TAPE REC./P.B. CONNECTOR (A) (DIN) |
| 3 | TAPE REC./P.B. CONNECTOR (B) (DIN) |
| 4 | PRE-AMP. OUTPUT & MAIN AMP. INPUT |
| 5 | PRE-MAIN AMP. COUPLER SWITCH |
| 6 | AC VOLTAGE SELECTOR |
| 7 | GROUND TERMINAL |
| 8 | SPEAKER CONNECTORS (B) |
| 9 | MONO OUTPUT CONNECTOR |
| 10 | SPEAKER CONNECTORS (A) |
| 11 | AC LINE FUSE |
| 12 | AC LINE CORD |

CA-500 INTERNAL VIEWS



- 1 ELECTROLYTIC CAPACITOR
2000/63V
- 2 AC VOLTAGE SELECTOR
- 3 POWER TRANSFORMER
- 4 POWER TRANSISTOR
- 5 MAIN AMP. CIRCUIT BOARD
- 6 POWER SWITCH CIRCUIT
BOARD
- 7 MODE CIRCUIT BOARD
- 8 FILTER CIRCUIT BOARD
- 9 OUTPUT CAPACITOR CIRCUIT
BOARD
- 10 TONE CIRCUIT BOARD
- 11 PRE AMP. CIRCUIT BOARD
- 12 VOLUME CIRCUIT BOARD
- 13 POWER TRANSISTOR SOCKETS
- 14 RADIATION PANEL
- 15 18P SOCKETS (MAIN MAP.)
- 16 AC LINE FUSE
- 17 POWER CIRCUIT BOARD
- 18 LOUDNESS CIRCUIT BOARD
- 19 FUNCTION CIRCUIT BOARD
- 20 FUSE CIRCUIT BOARD
- 21 POWER SWITCH CIRCUIT
BOARD

CA-700 INTERNAL VIEWS



- 1 ELECTROLYTIC CAPACITOR 3300/50V
- 2 AC VOLTAGE SELECTOR
- 3 ELECTROLYTIC CAPACITOR 3300/50V
- 4 POWER TRANSFORMERS
- 5 POWER TRANSISTOR
- 6 MAIN AMP. CIRCUIT BOARD
- 7 MIC VOLUME CIRCUIT BOARD
- 8 FILTER CIRCUIT BOARD
- 9 PROTECTION CIRCUIT BOARD
- 10 TONE CIRCUIT BOARD
- 11 PRE AMP. CIRCUIT BOARD
- 12 VOLUME CIRCUIT BOARD
- 13 POWER TRANSISTOR SOCKETS
- 14 RADIATOR PANEL
- 15 18P SOCKETS (MAIN AMP.)
- 16 AC LINE FUSE
- 17 AUDIO MUTING & LOUDNESS CIRCUIT BOARD
- 18 POWER CIRCUIT BOARD
- 19 FUSE CIRCUIT BOARD
- 20 FUNCTION CIRCUIT BOARD
- 21 POWER SWITCH CIRCUIT BOARD

SPECIFICATIONS

AMPLIFIER SECTION	CA-500	CA-700
Dynamic Power (IHF) at 1kHz:	60W	150W
RMS Power at 1kHz:	22/22W	60/60W
Harmonic Distortion at 1kHz	0.05% at 20W	0.05% at 50W
IM Distortion (70Hz: 7kHz, 4 : 1):	0.1% at 20W	0.1% at 50W
Power Bandwidth (distortion 0.5% const., IHF)!	18 ~ 46,000Hz	10 ~ 56,000Hz
Sensitivity (for rated output at 8Ω)		
PHONO 1:	3mV, 50kΩ	3mV, 50kΩ
PHONO 2:	3mV, 50kΩ	100μV, 100kΩ
AUX, TAPE PB (PIN), REC/PB (DIN):	200mV, 50kΩ	200mV, 50kΩ
MAIN IN:	775mV, 50kΩ	775mV, 50kΩ
MIC:	—	4mV, 50kΩ
Output Terminals and Jacks		
Speakers:	A, B, A + B	A, B, A + B
Stereo Headphone Jack:	1	1
PRE OUT:	775mV, 10kΩ	775mV, 10kΩ
REC OUT (PIN):	200mV, 10kΩ	200mV, 10kΩ
REC/PB (DIN):	30mV, 80kΩ	30mV, 80kΩ
Frequency Response		
PHONO:	30 ~ 15,000Hz, ±0.5dB	30 ~ 15,000Hz, ±0.5dB
AUX, TAPE PB, REC/PB:	20 ~ 30,000Hz, +1, -3dB	20 ~ 30,000Hz, +1, -3dB
Power Amp Section:	15 ~ 50,000Hz, +0, -3dB	15 ~ 50,000Hz, +0, -3dB
Damping Factor:	40 at 8Ω, 1kHz	50 at 8Ω, 1kHz
Tone Controls		
Bass:	±10dB at 70Hz	±10dB at 70Hz
Treble:	±10dB at 10kHz	±10dB at 10kHz
Filters		
Low:	-3dB at 70Hz, 6dB/oct	-3dB at 70Hz, 12dB/oct
High:	-3dB at 7kHz, 6dB/oct	-3dB at 7kHz, 12dB/oct
Loudness Control:	+8dB at 70Hz, +6dB at 10kHz	+8dB at 70Hz, +6dB at 10kHz
Channel Separation		
PHONO, AUX, TAPE PB, REC/PB:	50dB at 1kHz	50dB at 1kHz

GENERAL

Power sources: (*)	100,110,117,125,220,240V (switchable)	100,110,117,125,220,240V (switchable)
Power Consumption, Max:	120W	250W
Dimensions (W x D x H):	400(15½") x 300(11¾") x 140mm (5½")	400(15½") x 300(11¾") x 140mm (5½")
Weight:	8.0kg (17.6 lbs.)	10.0kg (22lbs.)

Specifications subject to change without notice.

(*) Australian models, 240V only.

ALIGNMENT PROCEDURES

CA-700 MAIN AMP. CIRCUIT BOARD

STEP	ITEM	INSTRUMENT REQUIRED	CONNECT TO	ADJUST	ADJUST FOR OR HOW TO ADJUST	STANDARD VALUE	REMARKS
1	Confirmation of power supply voltage.	V.T.V.M. or tester.	Main circuit board connector terminals; No. 18 and grounding terminal (No. 7 or No. 17)		-42V	-42V ± 2V	
2	Midpoint voltage.	V.T.V.M. or tester.	No. 5 and grounding terminal (No. 7 or No. 17) Main circuit board connector terminals: No. 11 or No. 12 and grounding terminal (No. 7 or No. 17)	VR501 (1 k B)	Turn VR501 slowly clockwise or counterclockwise to obtain 0V.	0V ± 30mV	Refer to Fig. 1 Connect load resistance of 8Ω. Adjust unit to "no signal in" position.
3	Idling current.	V.T.V.M. or tester.	Main circuit board connector terminals: No. 11 and No. 10. (Or both ends of the 0.47Ω resistor.)	VR502 (100Ω B)	Adjust VR502 slowly until 23.5mVs are indicated. Insure unit midpoint voltage (step 2) has been set to 0V. Leave unit on for one minute or so, repeat Steps 2 and 3.	23.5mV ± 4.7mV (Current, 50mA ± 10mA)	Refer to Fig. 1 Current through 0.47Ω resistor may be measured instead.

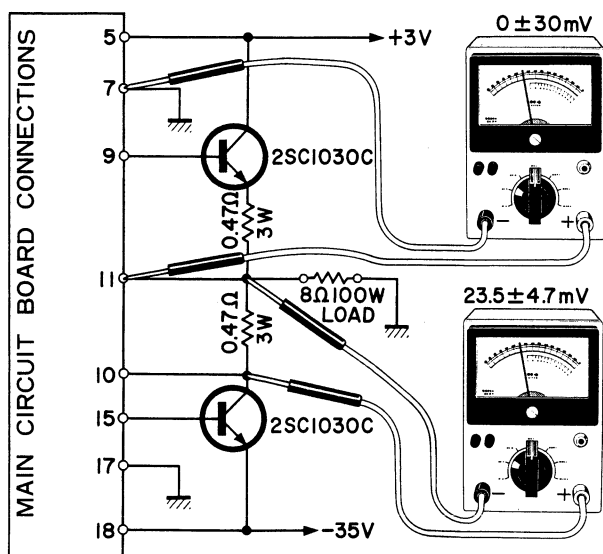


Fig. 1

STEP	ITEM	INSTRUMENT REQUIRED	CONNECT TO	ADJUST	ADJUST FOR OR HOW TO ADJUST	STANDARD VALUE	REMARKS
4	Max. Output: Distortion, Gain.	AF sig. gen. (Freq: 1kHz; Distortion factor: less than 0.1%) Level Meter (with dB calibration). Distortion factor meter (capable of measuring up to 0.1%).	Refer to Fig. 2.		Increase output of AF sig. gen. to 26.8dBm, (35W). Insure distortion meter indicates less than 1%. Confirm amplifier input signal remains at 0dBm. (± 2 dBm)	Max. output, 26.8dBm (35W). Distortion factor, less than 1%. Input signal level, 0 ± 2 dBm.	
5	Frequency response characteristics.	same as Step 4 above	Refer to Fig. 2.		Increase AF sig. gen. output. Adjust amp. input signal level so that output level is 24dBm at 1kHz. Maintaining input level, change freq. by 30Hz to 30kHz. Insure output remains within limits of standard value.	Output, 24dBm +0dB, -3dB at 30Hz to 30kHz.	

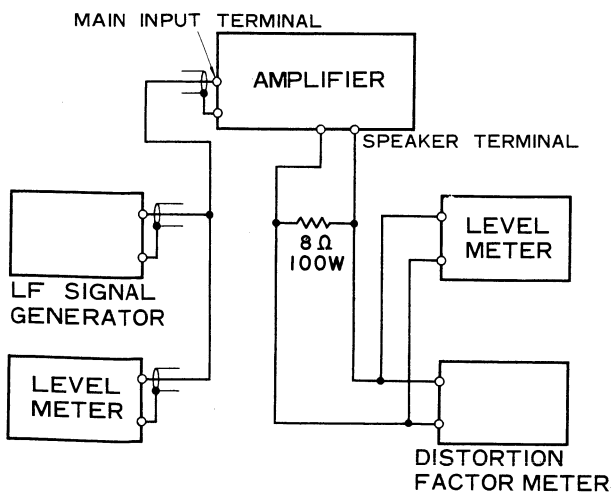


Fig. 2

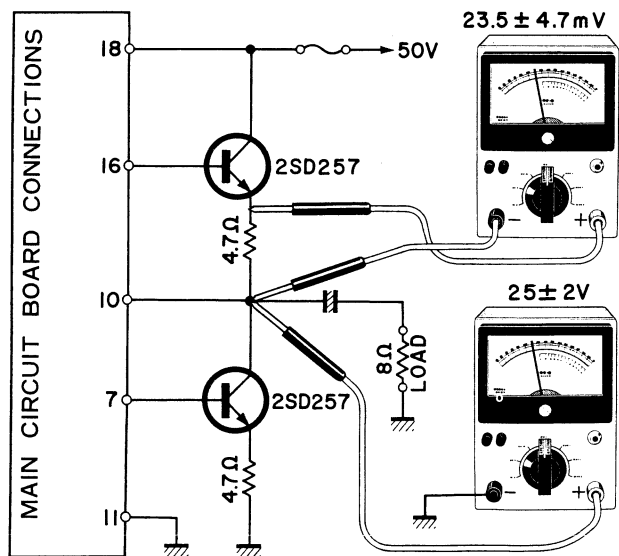


Fig. 3

CA-500 MAIN AMP. CIRCUIT BOARD

STEP	ITEM	INSTRUMENT REQUIRED	CONNECT TO	ADJUST	ADJUST FOR OR HOW TO ADJUST	STANDARD VALUE	REMARKS
1	Power supply voltage measurements.	V.T.V.M. or tester.	Main circuit board connector terminals: No. 14 and No. 11 (ground) No. 18 and No. 11 (ground) No. 5 and No. 11 (ground)		50 V 32 V 30 V	50 V \pm 2 V 32 V \pm 2 V 30 V \pm 2 V	
2	Idling current	V.T.V.M. or tester.	Refer to Fig. 3.	VR-501	Adjust VR501 slowly (250B) until 23.5mVs are indicated. Leave unit on for one minute or so, repeat Steps 1 and 2.	23.5 mV \pm 4.7mV	Connect load resistance of 8 Ω to speaker terminals.
3	Confirmation of mid-point voltage	V.T.V.M. or tester	No. 10 and No. 11 (ground) terminals of main circuit board.		25 \pm 2V. When standard value is not indicated, adjust R509 (150 Ω) to obtain correct value.	25 V \pm 2V	Refer to Fig. 3
4	Max. output: Distortion, Gain.		LF sig. gen. (Freq. 1kHz; Distortion factor: less than 1%). Level meter (with dB calibration).		Increase output of LF sig. gen. to 24.3dBm. Insure distortion meter indicates less than 1% distortion. Confirm amplifier input signal level remains at 0dBm. (\pm 2dBm).	Max. output, 24.3dBm. Distortion factor, less than 1%. Input signal level, 0 \pm 2dBm.	
5	Frequency response characteristic.	Same as Step 4 above.	Refer to Fig. 2.		Increase LF sig. gen. output. Adjust amp. input signal level so that output level is 1W, at 1kHz. Maintaining input level, change freq., by 20 – 40kHz. Insure output remains within limits of standard value.	Output, 1W +0, –3dB at 20 – 40 kHz.	

CA-700 PROTECTOR CIRCUIT BOARD

STEP	ITEM	INSTRUMENT REQUIRED	CONNECT TO	ADJUST	ADJUST FOR OR HOW TO ADJUST	STANDARD VALUE	REMARKS
1	Operating level adjustment.	IF sig. gen. (Freq: 1kHz), V.T.V.M. and oscilloscope.	Main in and speaker terminals. (Refer to Fig. 4.)	VR583 (5k B)	Connect load resistance of $4\Omega/100W$ (one channel only). Increase output of LF sig. gen. to insure protector circuit operates when amp. output is 60 to 90Ws).	Starts operating with 60 to 90W output.	This adjustment is performed during overload conditions, should be completed as quickly as possible.

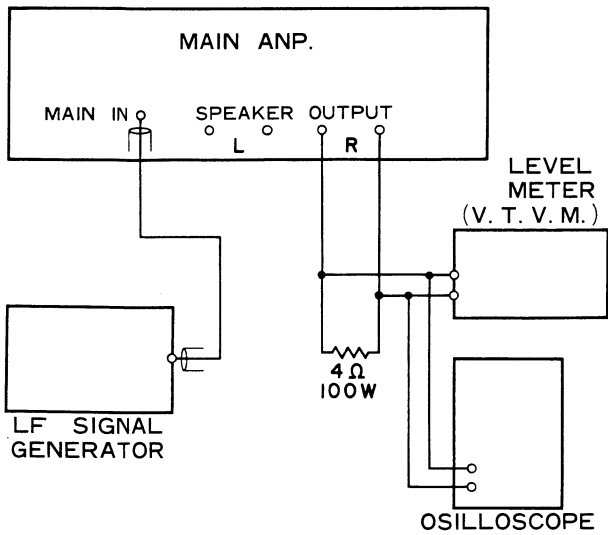
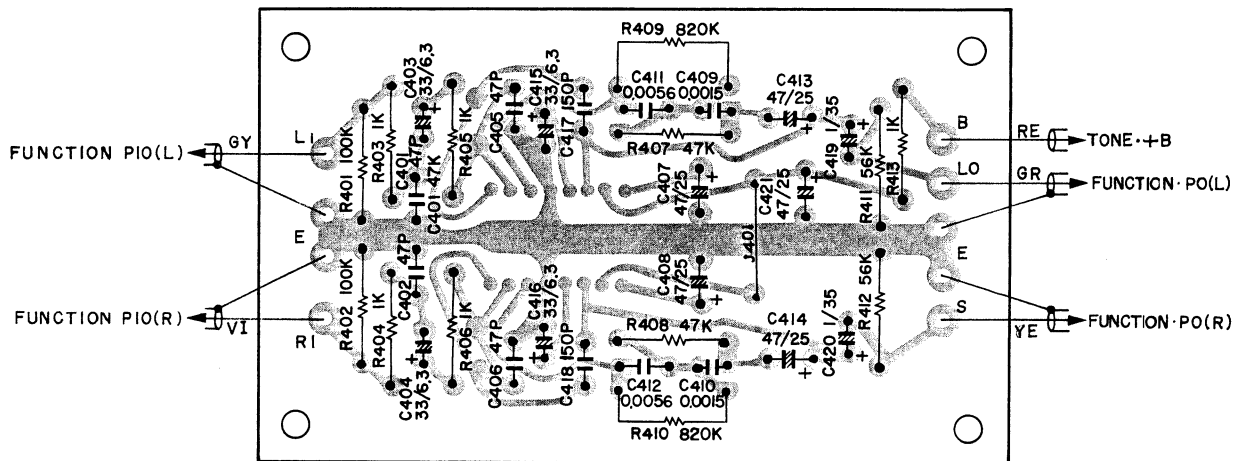
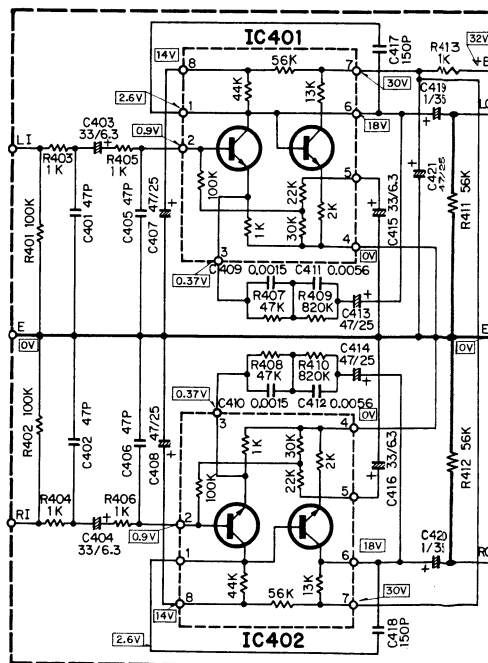


Fig. 4

CA-500 PRE AMP. CIRCUIT BOARD

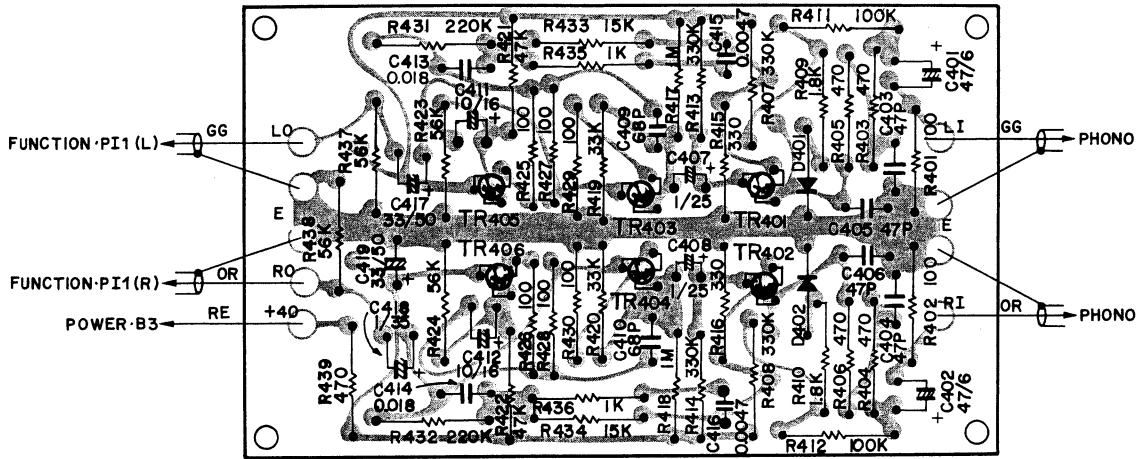


Ref. No.	Description
R401	Carbon Resistor 100 kΩ 1/4W
R402	Carbon Resistor 100 kΩ 1/4W
R403	Carbon Resistor 1 kΩ 1/4W
R404	Carbon Resistor 1 kΩ 1/4W
R405	Carbon Resistor 1 kΩ 1/4W
R406	Carbon Resistor 1 kΩ 1/4W
R407	Carbon Resistor 47 kΩ 1/4W
R408	Carbon Resistor 47 kΩ 1/4W
R409	Carbon Resistor 820 kΩ 1/4W
R410	Carbon Resistor 820 kΩ 1/4W
R411	Carbon Resistor 56 kΩ 1/4W
R412	Carbon Resistor 56 kΩ 1/4W
R413	Carbon Resistor 1 kΩ 1/4W
C401	Ceramic Capacitor 47 pF 50WV
C402	Ceramic Capacitor 47 pF 50WV
C403	Electrolytic Capacitor 33 μF 6.3WV (vert. type)
C404	Electrolytic Capacitor 33 μF 6.3WV (vert. type)
C405	Ceramic Capacitor 47 pF 50WV
C406	Ceramic Capacitor 47 pF 50WV
C407	Electrolytic Capacitor 47 μF 25WV (vert. type)
C408	Electrolytic Capacitor 47 μF 25WV (vert. type)
C409	Mylar Capacitor 0.0015 μF 50WV
C410	Mylar Capacitor 0.0015 μF 50WV
C411	Mylar Capacitor 0.0056 μF 50WV
C412	Mylar Capacitor 0.0056 μF 50WV
C413	Electrolytic Capacitor 47 μF 25WV (vert. type)
C414	Electrolytic Capacitor 47 μF 25WV (vert. type)
C415	Electrolytic Capacitor 33 μF 6.3WV (vert. type)
C416	Electrolytic Capacitor 33 μF 6.3WV (vert. type)
C417	Ceramic Capacitor 50 pF 50WV
C418	Ceramic Capacitor 50 pF 50WV



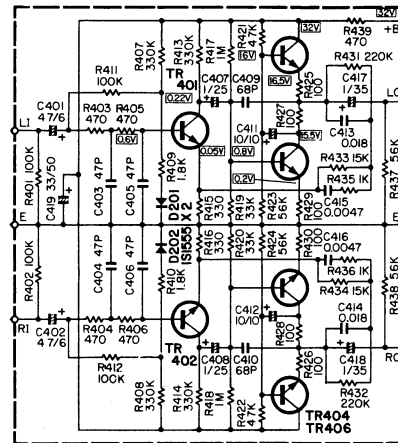
Ref. No.	Description
C419	Tantalum Capacitor 1 μF 35WV
C420	Tantalum Capacitor 1 μF 35WV
C421	Electrolytic Capacitor 47 μF 25WV (vert. type)
IC401	IC FA6001T
IC402	IC FA6001T

CA-700 PRE AMP. CIRCUIT BOARD



Ref. No. Description

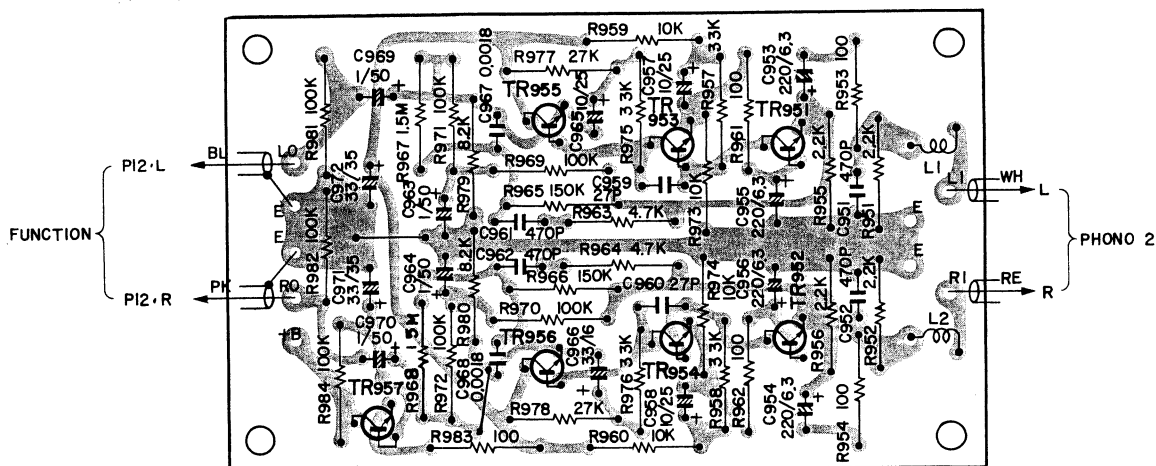
R401	Carbon Resistor	100 kΩ	1/4W
R402	Carbon Resistor	100 kΩ	1/4W
R403	Carbon Resistor	470 Ω	1/4W
R404	Carbon Resistor	470 Ω	1/4W
R405	Carbon Resistor	470 Ω	1/4W
R406	Carbon Resistor	470 Ω	1/4W
R407	Carbon Resistor	330 kΩ	1/4W
R408	Carbon Resistor	330 kΩ	1/4W
R409	Carbon Resistor	1.8 kΩ	1/4W
R410	Carbon Resistor	1.8 kΩ	1/4W
R411	Carbon Resistor	100 kΩ	1/4W
R412	Carbon Resistor	100 kΩ	1/4W
R413	Carbon Resistor	330 kΩ	1/4W
R414	Carbon Resistor	330 kΩ	1/4W
R415	Carbon Resistor	330 Ω	1/4W
R416	Carbon Resistor	330 Ω	1/4W
R417	Carbon Resistor	1 MΩ	1/4W
R418	Carbon Resistor	1 MΩ	1/4W
R419	Carbon Resistor	33 kΩ	1/4W
R420	Carbon Resistor	33 kΩ	1/4W
R421	Carbon Resistor	47 kΩ	1/4W
R422	Carbon Resistor	47 kΩ	1/4W
R423	Carbon Resistor	56 kΩ	1/4W
R424	Carbon Resistor	56 kΩ	1/4W
R425	Carbon Resistor	100 Ω	1/4W
R426	Carbon Resistor	100 Ω	1/4W
R427	Carbon Resistor	100 Ω	1/4W
R428	Carbon Resistor	100 Ω	1/4W
R429	Carbon Resistor	100 Ω	1/4W
R430	Carbon Resistor	100 Ω	1/4W
R431	Carbon Resistor	220 kΩ	1/4W
R432	Carbon Resistor	220 kΩ	1/4W
R433	Carbon Resistor	15 kΩ	1/4W
R434	Carbon Resistor	15 kΩ	1/4W
R435	Carbon Resistor	1 kΩ	1/4W
R436	Carbon Resistor	1 kΩ	1/4W
R437	Carbon Resistor	56 kΩ	1/4W
R438	Carbon Resistor	56 kΩ	1/4W
R439	Carbon Resistor	470 Ω	1/4W
C401	Tantalum Capacitor	47 μF	6WV
C402	Tantalum Capacitor	47 μF	6WV
C403	Ceramic Capacitor	47 pF	
C404	Ceramic Capacitor	47 pF	
C405	Ceramic Capacitor	47 pF	



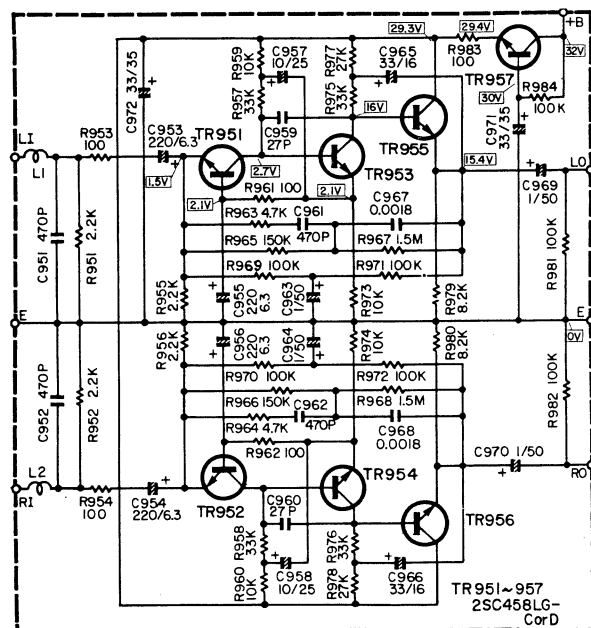
Ref. No. Description

C406	Ceramic Capacitor	47 pF	
C407	Electrolytic Capacitor	1 μF	25WV
C408	Electrolytic Capacitor	1 μF	25WV
C409	Ceramic Capacitor	68 pF	
C410	Ceramic Capacitor	68 pF	
C411	Electrolytic Capacitor	10 μF	16WV
C412	Electrolytic Capacitor	10 μF	16WV
C413	Mylar Capacitor	0.018 μF	
C414	Mylar Capacitor	0.018 μF	
C415	Mylar Capacitor	0.0047 μF	
C416	Mylar Capacitor	0.0047 μF	
C417	Tantalum Capacitor	1 μF	35WV
C418	Tantalum Capacitor	1 μF	35WV
C419	Electrolytic Capacitor	33 μF	50WV
D401	Diode	1S1555	
D402	Diode	1S1555	
TR401	Transistor	2SC458LG, C	
TR402	Transistor	2SC458LG, C	
TR403	Transistor	2SC458LG, C	
TR404	Transistor	2SC458LG, C	
TR405	Transistor	2SC458LG, C	
TR406	Transistor	2SC458LG, C	

CA-700 PRE AMP. (MC) CIRCUIT BOARD

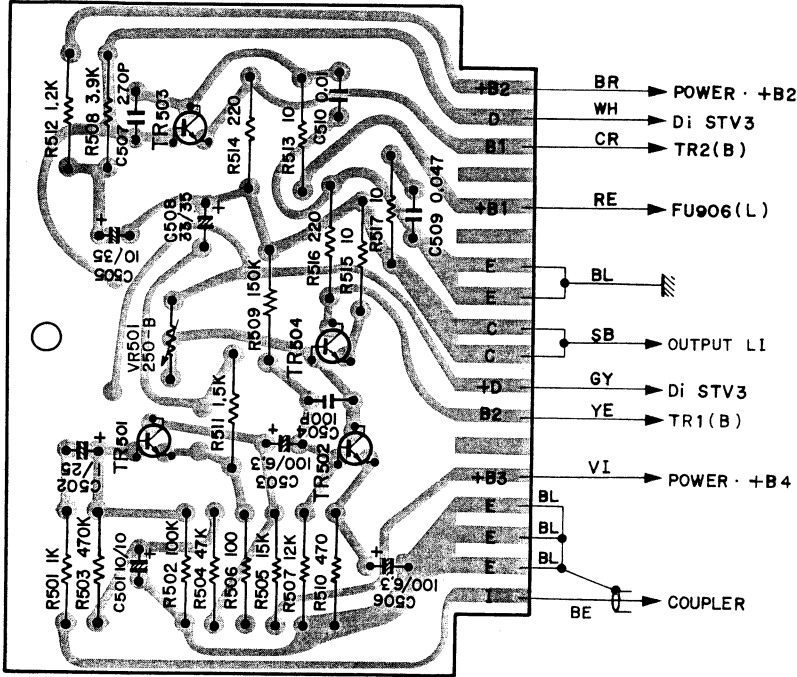


Ref. No.	Description		
R951	Carbon Resistor	2.2 kΩ	1/4W
R952	Carbon Resistor	2.2 kΩ	1/4W
R953	Carbon Resistor	100 Ω	1/4W
R954	Carbon Resistor	100 Ω	1/4W
R955	Carbon Resistor	2.2 kΩ	1/4W
R956	Carbon Resistor	2.2 kΩ	1/4W
R957	Carbon Resistor	3.3 kΩ	1/4W
R958	Carbon Resistor	3.3 kΩ	1/4W
R959	Carbon Resistor	10 kΩ	1/4W
R960	Carbon Resistor	10 kΩ	1/4W
R961	Carbon Resistor	100 Ω	1/4W
R962	Carbon Resistor	100 Ω	1/4W
R963	Carbon Resistor	4.7 kΩ	1/4W
R964	Carbon Resistor	4.7 kΩ	1/4W
R965	Carbon Resistor	150 kΩ	1/4W
R966	Carbon Resistor	150 kΩ	1/4W
R967	Carbon Resistor	1.5 MΩ	1/4W
R968	Carbon Resistor	1.5 MΩ	1/4W
R969	Carbon Resistor	100 kΩ	1/4W
R970	Carbon Resistor	100 kΩ	1/4W
R971	Carbon Resistor	100 kΩ	1/4W
R972	Carbon Resistor	100 kΩ	1/4W
R973	Carbon Resistor	10 kΩ	1/4W
R974	Carbon Resistor	10 kΩ	1/4W
R975	Carbon Resistor	33 kΩ	1/4W
R976	Carbon Resistor	33 kΩ	1/4W
R977	Carbon Resistor	27 kΩ	1/4W
R978	Carbon Resistor	27 kΩ	1/4W
R979	Carbon Resistor	8.2 kΩ	1/4W
R980	Carbon Resistor	8.2 kΩ	1/4W
R981	Carbon Resistor	100 kΩ	1/4W
R982	Carbon Resistor	100 kΩ	1/4W
R983	Carbon Resistor	100 Ω	1/4W
R984	Carbon Resistor	100 kΩ	1/4W
C951	Ceramic Capacitor	470 pF	
C952	Ceramic Capacitor	470 pF	
C953	Electrolytic Capacitor	220 μF	6.3WV
C954	Electrolytic Capacitor	220 μF	6.3WV
C955	Electrolytic Capacitor	220 μF	6.3WV
C956	Electrolytic Capacitor	220 μF	6.3WV
C957	Electrolytic Capacitor	10 μF	25WV
C958	Electrolytic Capacitor	10 μF	25WV
C959	Ceramic Capacitor	27 pF	
C960	Ceramic Capacitor	27 pF	
C961	Ceramic Capacitor	470 pF	
C962	Ceramic Capacitor	470 pF	

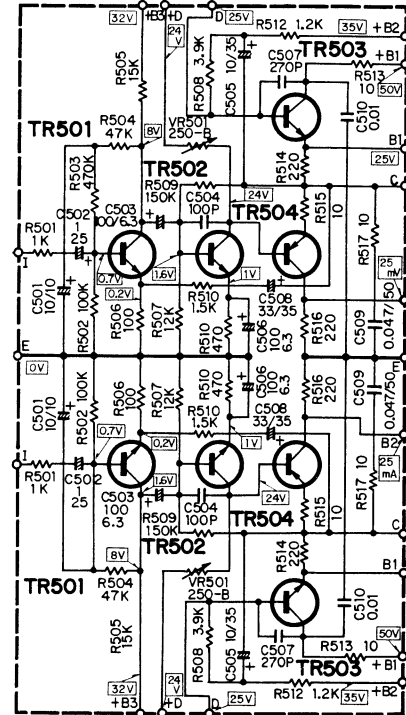


Ref. No.	Description		
C963	Electrolytic Capacitor	1 μF	50WV
C964	Electrolytic Capacitor	1 μF	50WV
C965	Electrolytic Capacitor	33 μF	16WV
C966	Electrolytic Capacitor	33 μF	16WV
C967	Mylar Capacitor	0.0018 μF	16WV
C968	Mylar Capacitor	0.0018 μF	16WV
C969	Electrolytic Capacitor	1 μF	50WV
C970	Electrolytic Capacitor	1 μF	50WV
C971	Electrolytic Capacitor	33 μF	35WV
C972	Electrolytic Capacitor	33 μF	35WV
L901	Hum Cancel Coil	3T	
L902	Hum Cancel Coil	3T	
TR951	Transistor	2SC458LG	(C, D)
TR952	Transistor	2SC458LG	(C, D)
TR953	Transistor	2SC458LG	(C, D)
TR954	Transistor	2SC458LG	(C, D)
TR955	Transistor	2SC458LG	(C, D)
TR956	Transistor	2SC458LG	(C, D)
TR957	Transistor	2SC458LG	(C, D)

CA-500 MAIN AMP. CIRCUIT BOARD



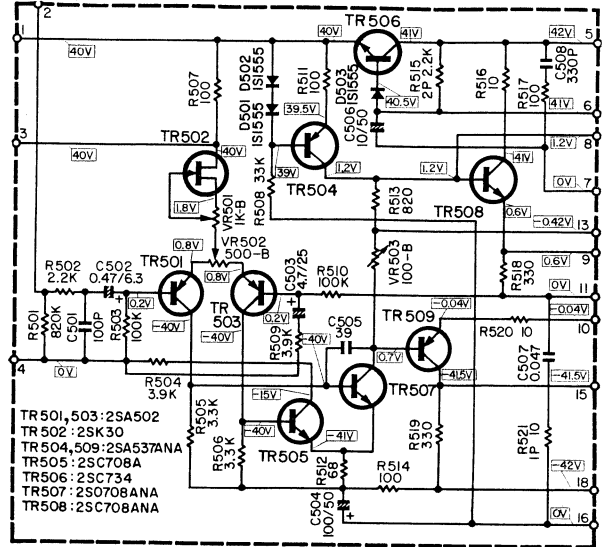
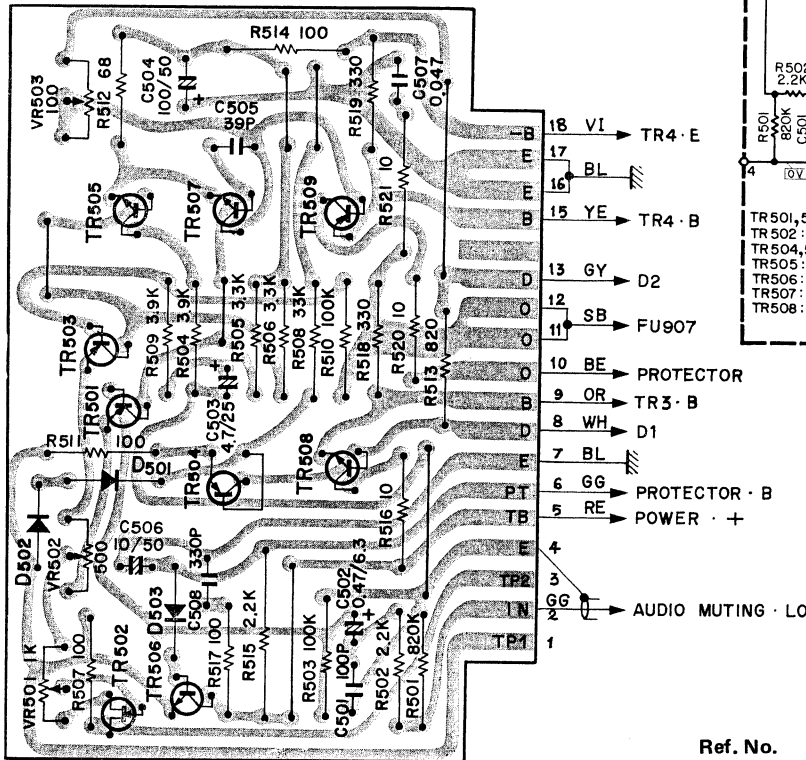
MAIN AMP. X 2



Ref. No.	Description	
R501	Carbon Resistor	1 kΩ
R502	Carbon Resistor	100 kΩ
R503	Carbon Resistor	470 kΩ
R504	Carbon Resistor	47 kΩ
R505	Carbon Resistor	15 kΩ
R506	Carbon Resistor	100 Ω
R507	Carbon Resistor	12 kΩ
R508	Carbon Resistor	3.9 kΩ
R509	Carbon Resistor	150 kΩ
R510	Carbon Resistor	470 Ω
R511	Carbon Resistor	1.5 kΩ
R512	Carbon Resistor	1.2 kΩ
R513	Carbon Resistor	10 Ω
R514	Carbon Resistor	220 Ω
R515	Carbon Resistor	10 Ω
R516	Carbon Resistor	220 Ω
R517	Carbon Resistor	10 Ω
C501	Electrolytic Capacitor	10 μF 10WV (vert. type)

Ref. No.	Description	
C502	Electrolytic Capacitor	1 μF 25WV (vert. type)
C503	Electrolytic Capacitor	100 μF 6.3WV (vert. type)
C504	Ceramic Capacitor	100 pF
C505	Electrolytic Capacitor	10 μF 35WV (vert. type)
C506	Electrolytic Capacitor	100 μF 6.3WV (vert. type)
C507	Ceramic Capacitor	270 pF 50WV
C508	Electrolytic Capacitor	33 μF 35WV
C509	Ceramic Capacitor	0.047 μF 50WV
C510	Ceramic Capacitor	0.01 μF 50WV
VR501	SF Variable Resistor	250 Ω (B)
TR501	Transistor	2SC458LG, C
TR502	Transistor	2SC734Y
TR503	Transistor	2SC734Y
TR504	Transistor	2SA561Y

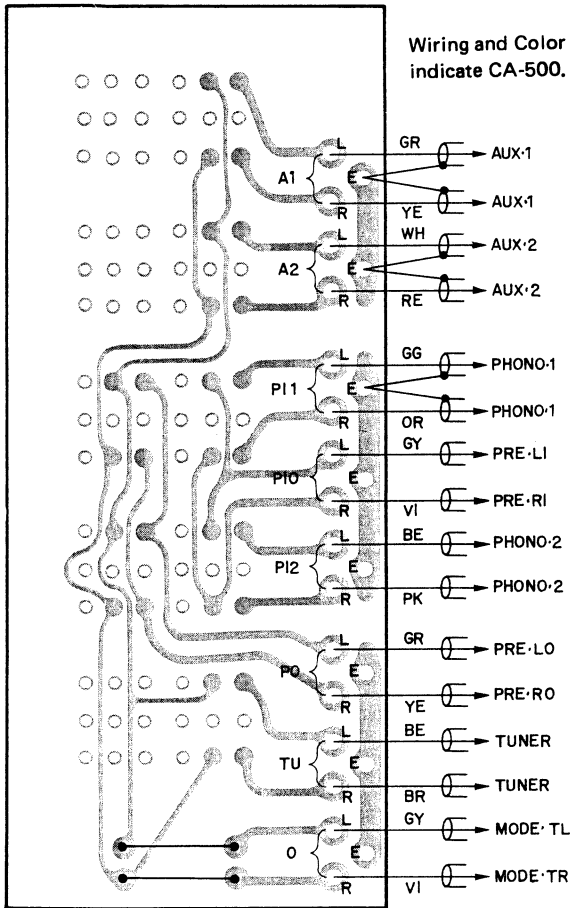
CA-700 MAIN AMP. CIRCUIT BOARD



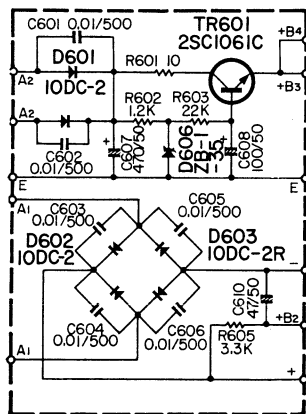
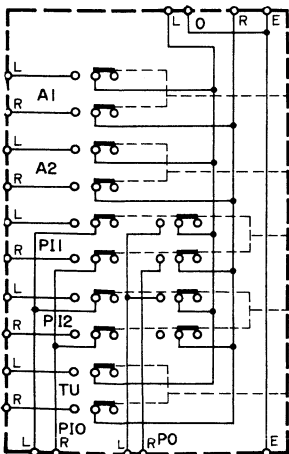
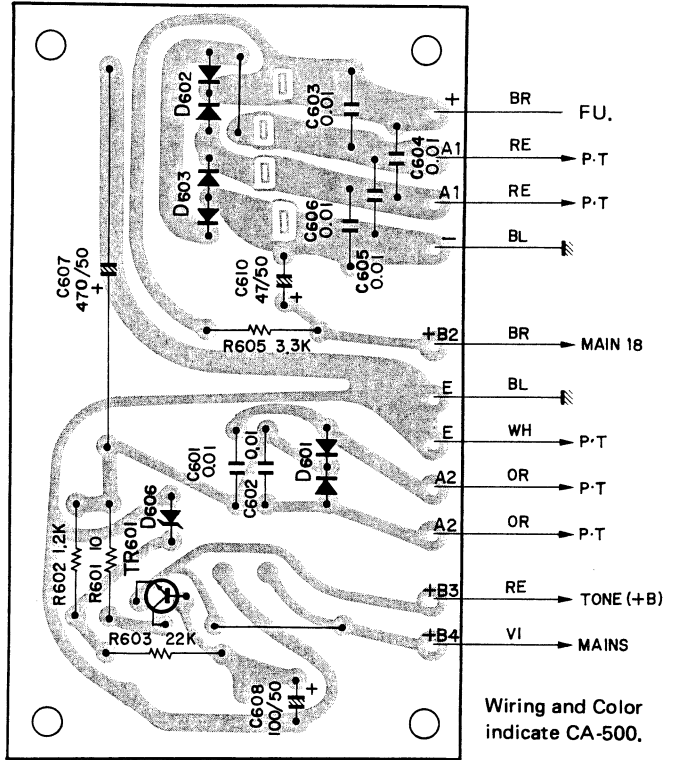
Ref. No.	Description
C501	Ceramic Capacitor 100 pF 50WV
C502	Solid aluminium Capac 0.47 μF 6.3WV Capacitor
C503	Electrolytic Capacitor 4.7 μF 25WV
C504	Electrolytic Capacitor 100μ F 50WV
C505	Ceramic Capacitor 39 pF 500WV
C506	Electrolytic Capacitor 10 μF 50WV
C507	Mylar Capacitor 0.047 μF 50WV
C508	Ceramic Capacitor 330 pF 50WV
VR501	Semi-fixed Resistor 1 kΩ (B)
VR502	Semi-fixed Resistor 500 Ω (B)
VR503	Semi-fixed Resistor 100 Ω (B)
D501	Diode 1S1555
D502	Diode 1S1555
D503	Diode 1S1555
TR501	Transistor 2SA502
TR502	FET 2SK30 (Y)
TR503	Transistor 2SA502
TR504	Transistor 2SA537ANA
TR505	Transistor 2SC708A
TR506	Transistor 2SC734
TR507	Transistor 2SC708ANA
TR508	Transistor 2SC708ANA
TR509	Transistor 2SA537ANA

Ref. No.	Description
R501	Carbon Resistor 820 kΩ 1/4W
R502	Carbon Resistor 2.2 kΩ 1/4W
R503	Carbon Resistor 100 kΩ 1/4W
R504	Carbon Resistor 3.9 kΩ 1/4W
R505	Carbon Resistor 3.3 kΩ 1/4W
R506	Carbon Resistor 3.3 kΩ 1/4W
R507	Carbon Resistor 100 Ω 1/4W
R508	Carbon Resistor 33 kΩ 1/4W
R509	Carbon Resistor 3.9 kΩ 1/4W
R510	Carbon Resistor 100 kΩ 1/4W
R511	Carbon Resistor 100 Ω 1/4W
R512	Carbon Resistor 68 Ω 1/4W
R513	Carbon Resistor 820 Ω 1/4W
R514	Carbon Resistor 100 Ω 1/4W
R515	Metal Oxide Resistor 2.2 kΩ 2W
R516	Carbon Resistor 10 Ω 1/4W
R517	Carbon Resistor 100 Ω 1/4W
R518	Carbon Resistor 330 Ω 1/4W
R519	Carbon Resistor 330 Ω 1/4W
R520	Carbon Resistor 10 Ω 1/4W
R521	Metal Oxide Resistor 10 Ω 1W

CA-500/700 FUNCTION CIRCUIT BOARD



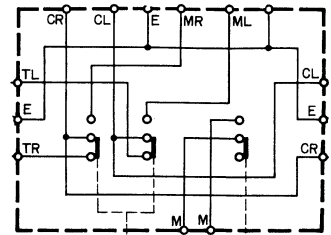
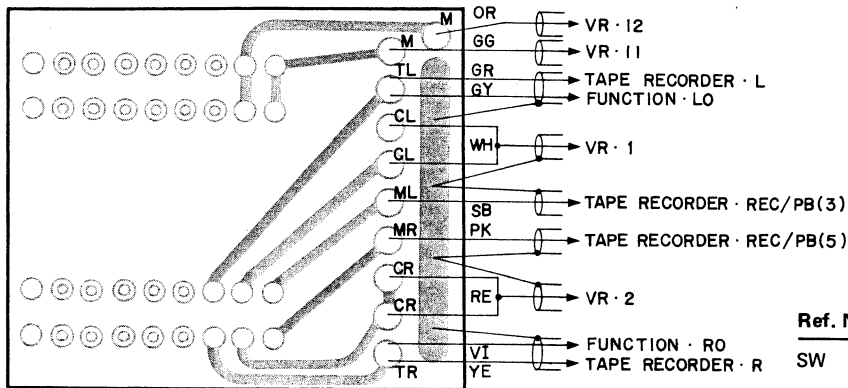
CA-500/700 POWER CIRCUIT BOARD



Ref. No.	Description		
R601	Carbon Resistor	10 Ω	1/4W
R602	Carbon Resistor	1.2 kΩ	1/4W
R603	Carbon Resistor	22 kΩ	1/4W
R605	Carbon Resistor	3.3 kΩ	1/4W
C601	Ceramic Capacitor	0.01 μF	500WV
C602	Ceramic Capacitor	0.01 μF	500WV
C603	Ceramic Capacitor	0.01 μF	500WV
C604	Ceramic Capacitor	0.01 μF	500WV
C605	Ceramic Capacitor	0.01 μF	500WV
C606	Ceramic Capacitor	0.01 μF	500WV
C607	Electrolytic Capacitor	470 μF	50WV
C608	Electrolytic Capacitor	100 μF	50WV
C610	Electrolytic Capacitor	47 μF	50WV
	(vert. type)		
D601	Diode	10DC-2	
D602	Diode	10DC-2	
D603	Diode	10DC-2R	
D606	Zener Diode	ZB-1-35	
TR601	Transistor	2SC1061 C	

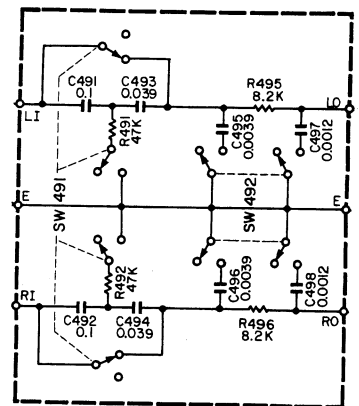
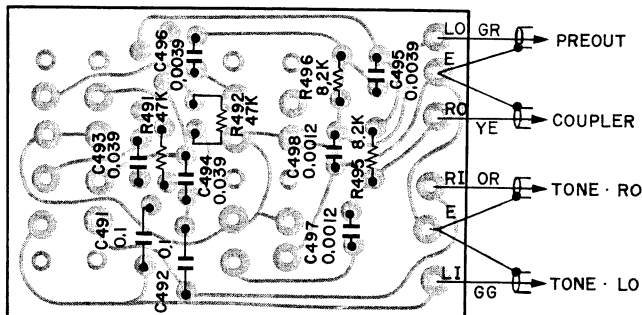
CA-700 USES 5B2 in place of D602, D603.
 C610, R605 Above Components NOT IN CA-700.

CA-500 MODE CIRCUIT BOARD

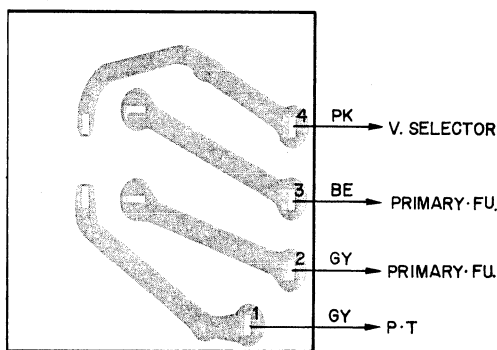


Ref. No.	Description
SW	Switch 2FS-6U

CA-700 FILTER CIRCUIT BOARD

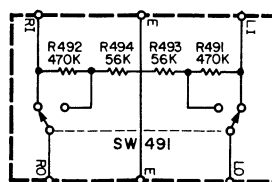
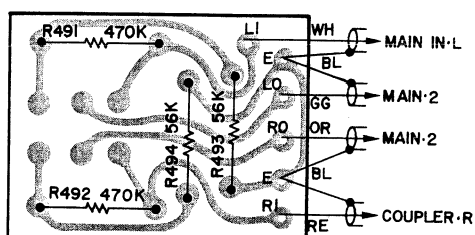


CA-500/700 POWER SW. CIRCUIT BOARD



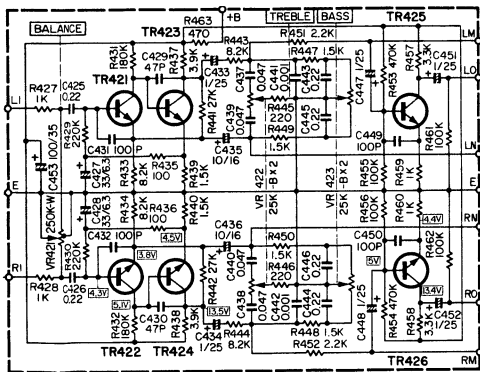
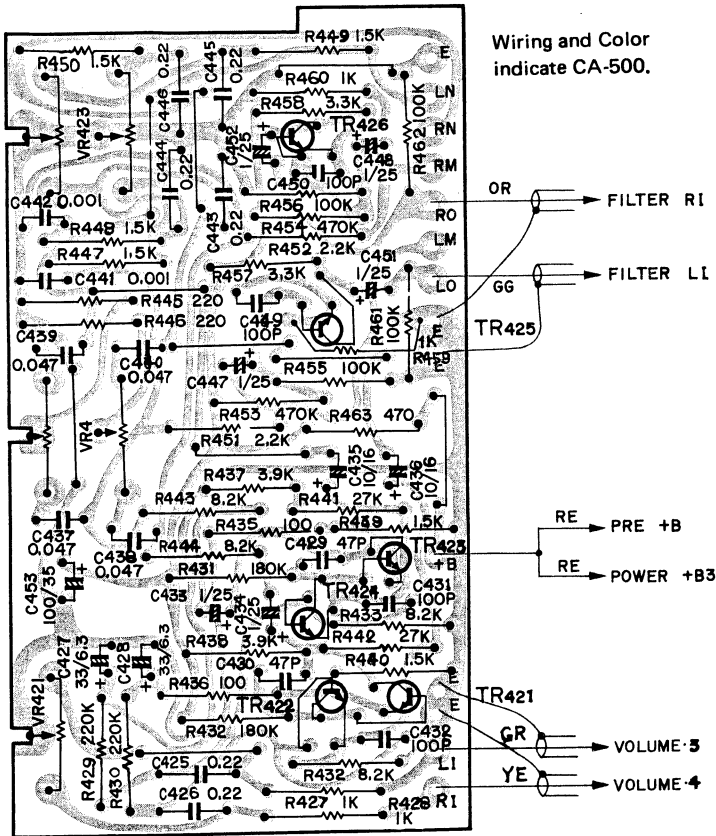
Ref. No.	Description
R491	Carbon Resistor 47 kΩ 1/4W
R492	Carbon Resistor 47 kΩ 1/4W
R495	Carbon Resistor 8.2 kΩ 1/4W
R496	Carbon Resistor 8.2 kΩ 1/4W
C491	Solid Aluminium Capacitor 0.1 μF 25WV
C492	Solid Aluminium Capacitor 0.1 μF 25WV
C493	Mylar Capacitor 0.039 μF 50WV
C494	Mylar Capacitor 0.039 μF 50WV
C495	Mylar Capacitor 0.0039 μF 50WV
C496	Mylar Capacitor 0.0039 μF 50WV
C497	Mylar Capacitor 0.0012 μF 50WV
C498	Mylar Capacitor 0.0012 μF 50WV
S491	Lever Switch
S492	Lever Switch

CA-700 AUDIO MUTING CIRCUIT BOARD



Ref. No.	Description
R491	Carbon Resistor 470 kΩ 1/4W
R492	Carbon Resistor 470 kΩ 1/4W
R493	Carbon Resistor 56 kΩ 1/4W
R494	Carbon Resistor 56 kΩ 1/4W
SW491	Lever Switch SJ1866

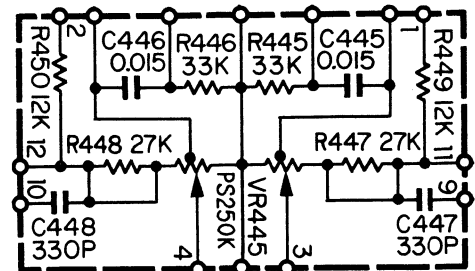
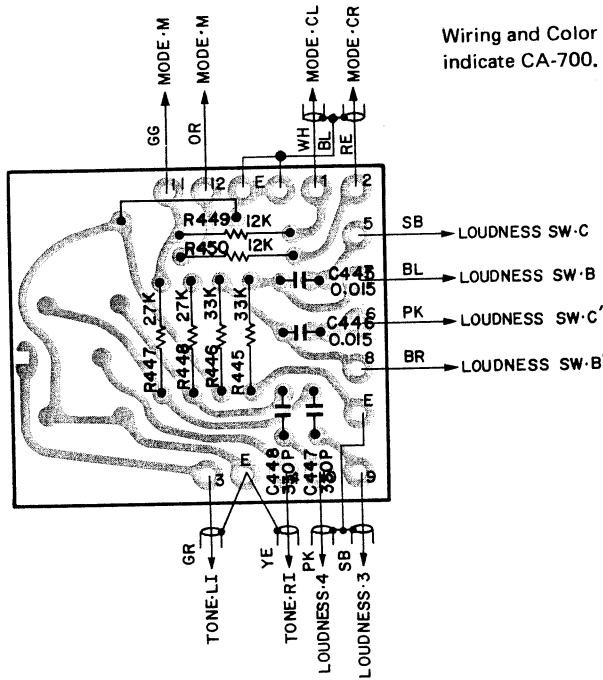
CA-500/700 TONE CIRCUIT BOARD



Ref. No.	Description		
R438	Carbon Resistor	3.9 kΩ	1/4W
R439	Carbon Resistor	1.5 kΩ	1/4W
R440	Carbon Resistor	1.5 kΩ	1/4W
R441	Carbon Resistor	27 kΩ	1/4W
R442	Carbon Resistor	27 kΩ	1/4W
R443	Carbon Resistor	8.2 kΩ	1/4W
R444	Carbon Resistor	8.2 kΩ	1/4W
R445	Carbon Resistor	220 Ω	1/4W
R446	Carbon Resistor	220 Ω	1/4W
R447	Carbon Resistor	1.5 kΩ	1/4W
R448	Carbon Resistor	1.5 kΩ	1/4W
R449	Carbon Resistor	1.5 kΩ	1/4W
R450	Carbon Resistor	1.5 kΩ	1/4W
R451	Carbon Resistor	2.2 kΩ	1/4W
R452	Carbon Resistor	2.2 kΩ	1/4W
R453	Carbon Resistor	470 kΩ	1/4W
R454	Carbon Resistor	470 kΩ	1/4W
R455	Carbon Resistor	100 kΩ	1/4W
R456	Carbon Resistor	100 kΩ	1/4W
R457	Carbon Resistor	3.3 kΩ	1/4W
R458	Carbon Resistor	3.3 kΩ	1/4W
R459	Carbon Resistor	1 kΩ	1/4W
R460	Carbon Resistor	1 kΩ	1/4W
R461	Carbon Resistor	100 kΩ	1/4W
R462	Carbon Resistor	100 kΩ	1/4W
R463	Carbon Resistor	470 Ω	1/4W
C425	Mylar Capacitor	0.22 μF	
C426	Mylar Capacitor	0.22 μF	
C427	Electrolytic Capacitor	33 μF	6.3WV
C428	Electrolytic Capacitor	33 μF	6.3WV
C429	Ceramic Capacitor	47 pF	
C430	Ceramic Capacitor	47 pF	
C431	Ceramic Capacitor	100 pF	
C432	Ceramic Capacitor	100 pF	
C433	Electrolytic Capacitor	1 μF	25WV
C434	Electrolytic Capacitor	1 μF	25WV
C435	Electrolytic Capacitor	10 μF	16WV
C436	Electrolytic Capacitor	10 μF	16WV
C437	Mylar Capacitor	0.047 μF	
C438	Mylar Capacitor	0.047 μF	
C439	Mylar Capacitor	0.047 μF	
C440	Mylar Capacitor	0.047 μF	
C441	Ceramic Capacitor	0.001 μF	
C442	Ceramic Capacitor	0.001 μF	
C443	Mylar Capacitor	0.22 μF	
C444	Mylar Capacitor	0.22 μF	
C445	Mylar Capacitor	0.22 μF	
C446	Mylar Capacitor	0.22 μF	
C447	Electrolytic Capacitor	1 μF	25WV
C448	Electrolytic Capacitor	1 μF	25WV
C449	Ceramic Capacitor	100 pF	
C450	Ceramic Capacitor	100 pF	
C451	Aluminium Capacitor	1 μF	25WV
C452	Aluminium Capacitor	1 μF	25WV
C453	Electrolytic Capacitor	100 μF	35WV
VR421	Volume Control	48M 250k	PS
VR422	Volume Control (with click)	4B25x2	
VR423	Volume Control (with click)	B25x2	
TR421	Transistor	2SC458LG (C, D)	
TR422	Transistor	2SC458LG (C, D)	
TR423	Transistor	2SC458LG (C, D)	
TR424	Transistor	2SC458LG (C, D)	
TR425	Transistor	2SC458LG (C, D)	
TR426	Transistor	2SC458LG (C, D)	

Ref. No.	Description		
R427	Carbon Resistor	1 kΩ	1/4W
R428	Carbon Resistor	1 kΩ	1/4W
R429	Carbon Resistor	220 kΩ	1/4W
R430	Carbon Resistor	220 kΩ	1/4W
R431	Carbon Resistor	180 kΩ	1/4W
R432	Carbon Resistor	180 kΩ	1/4W
R433	Carbon Resistor	8.2 kΩ	1/4W
R434	Carbon Resistor	8.2 kΩ	1/4W
R435	Carbon Resistor	100 Ω	1/4W
R436	Carbon Resistor	100 Ω	1/4W
R437	Carbon Resistor	3.9 kΩ	1/4W

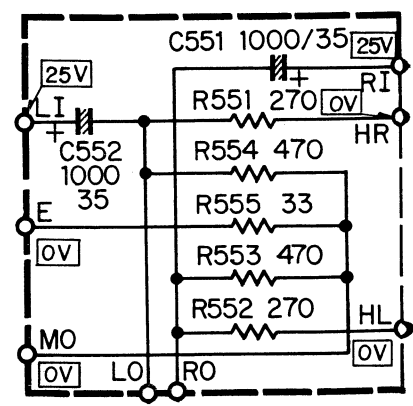
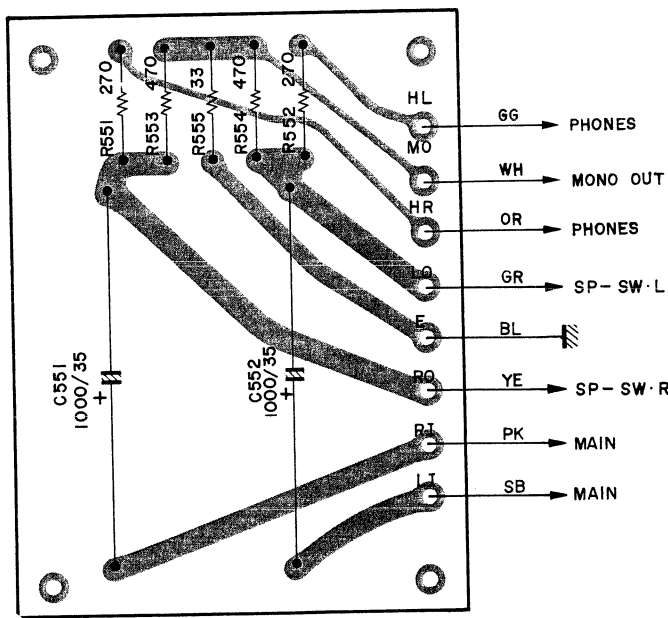
CA-500/700 VOLUME CIRCUIT BOARD



Ref. No.	Description		
R445	Carbon Resistor	33 kΩ	1/4W
R446	Carbon Resistor	33 kΩ	1/4W
R447	Carbon Resistor	27 kΩ	1/4W
R448	Carbon Resistor	27 kΩ	1/4W
R449	Carbon Resistor	12 kΩ	1/4W
R450	Carbon Resistor	12 kΩ	1/4W
C445	Mylar Capacitor	0.015 μF	
C446	Mylar Capacitor	0.015 μF	
C447	Ceramic Capacitor	330 pF	
C448	Ceramic Capacitor	330 pF	
VR445	Volume Control	250 kΩ	

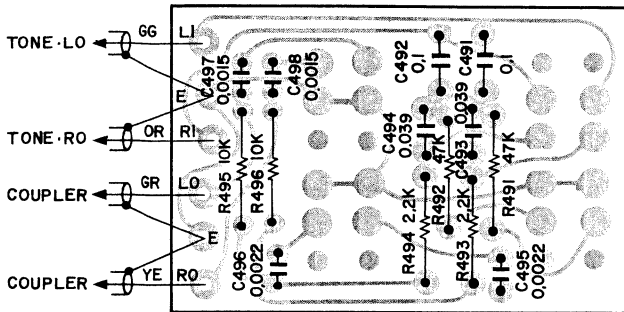
NOTE: C446, C445, R446, R445 Above Components NOT IN CA-500.

CA-500 OUTPUT CAPACITOR CIRCUIT BOARD

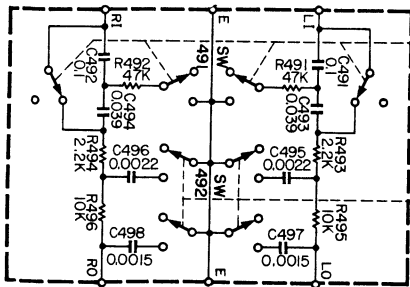


Ref. No.	Description		
R551	Carbon Resistor	270 kΩ	1/2W
R552	Carbon Resistor	270 kΩ	1/2W
R553	Carbon Resistor	470 Ω	1/2W
R554	Carbon Resistor	470 Ω	1/2W
R555	Carbon Resistor	470 Ω	1/2W
C551	Electrolytic Capacitor	1000 μF	35WV
C552	Electrolytic Capacitor	1000 μF	35WV

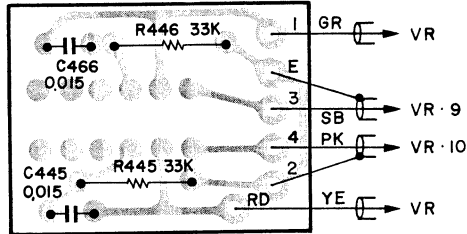
CA-500 FILTER CIRCUIT BOARD



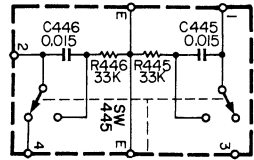
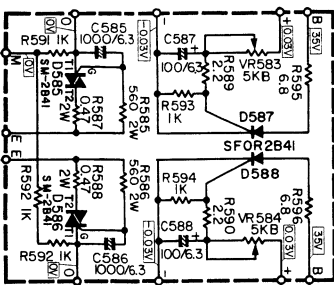
Ref. No.	Description
R491	Carbon Resistor 47 kΩ 1/4W
R492	Carbon Resistor 47 kΩ 1/4W
R493	Carbon Resistor 2.2 kΩ 1/4W
R494	Carbon Resistor 2.2 kΩ 1/4W
R495	Carbon Resistor 10 kΩ 1/4W
R496	Carbon Resistor 10 kΩ 1/4W
C491	Mylar Capacitor 0.1 μF 50WV
C492	Mylar Capacitor 0.1 μF 50WV
C493	Mylar Capacitor 0.039 μF 50WV
C494	Mylar Capacitor 0.039 μF 50WV
C495	Mylar Capacitor 0.0022 μF 50WV
C496	Mylar Capacitor 0.0022 μF 50WV
C497	Mylar Capacitor 0.0015 μF 50WV
C498	Mylar Capacitor 0.0015 μF 50WV



CA-500 LOUDNESS CIRCUIT BOARD

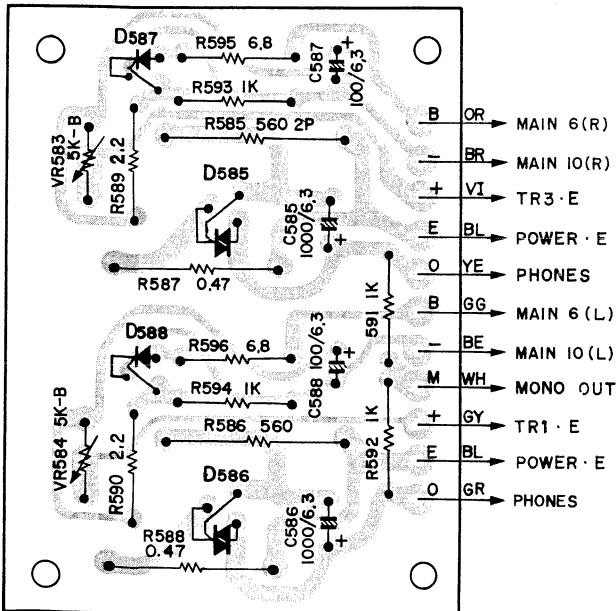


Ref. No.	Description
R445	Carbon Resistor 33 kΩ 1/4W
R446	Carbon Resistor 33 kΩ 1/4W
C445	Mylar Capacitor 0.015 μF
C446	Mylar Capacitor 0.015 μF
SW445	Push Switch 1FS-4U

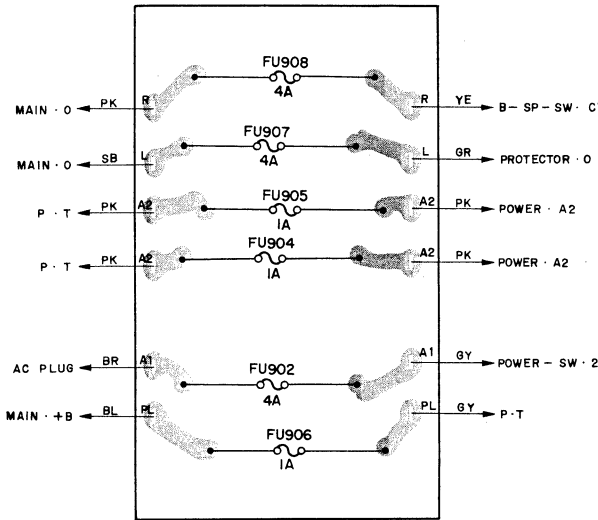


Ref. No.	Description
R585	Metal Oxide Resistor 560 Ω 2W
R586	Metal Oxide Resistor 560 Ω 2W
R587	Cement Resistor 0.47 Ω 2W
R588	Cement Resistor 0.47 Ω 2W
R589	Carbon Resistor 2.2 Ω 1/4W
R590	Carbon Resistor 2.2 Ω 1/4W
R591	Carbon Resistor 1 kΩ 1/4W
R592	Carbon Resistor 1 kΩ 1/4W
R593	Carbon Resistor 1 kΩ 1/4W
R594	Carbon Resistor 1 kΩ 1/4W
R595	Carbon Resistor 6.8 Ω 1/4W
R596	Carbon Resistor 6.8 Ω 1/4W
C585	Electr. Capacitor 1000 μF 6.3WV
C586	Electr. Capacitor 1000 μF 6.3WV
C587	Electr. Capacitor 100 μF 6.3WV
C588	Electr. Capacitor 100 μF 6.3WV
VR583	Semi-Fixed Resistor 5 kΩ (B)
VR584	Semi-Fixed Resistor 5 kΩ (B)
D585	Triac SM-2B41-R
D586	Triac SM-2B41-R
D587	Thyristor SFOR-2B41
D588	Thyristor SFOR-2B41

CA-700 PROTECTOR CIRCUIT BOARD

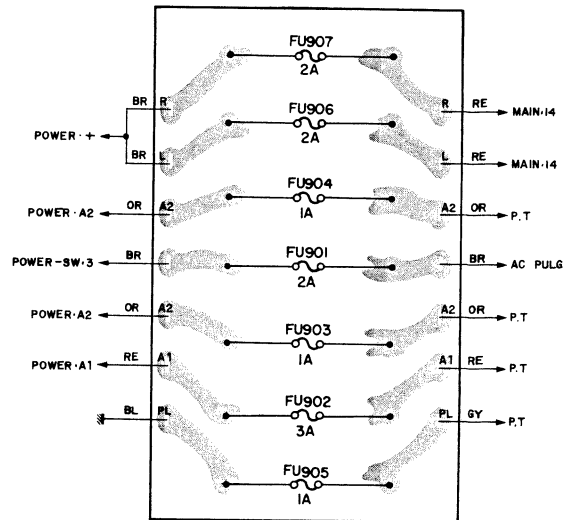


CA-700 FUSE CIRCUIT BOARD



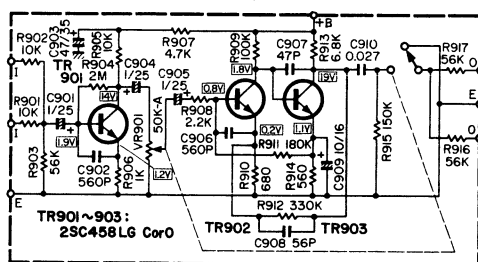
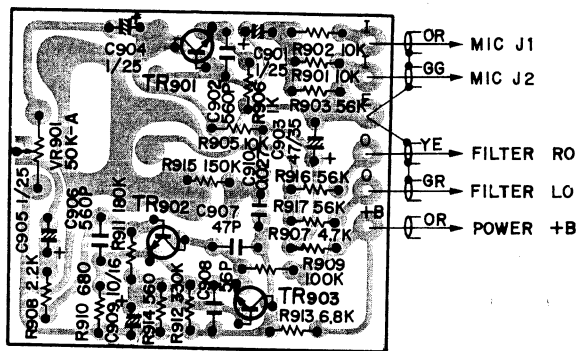
Ref. No.	Description
FU902	Fuse 250 V 4A
FU904	Fuse 250 V 1A
FU905	Fuse 250 V 1A
FU906	Fuse 250 V 1A
FU907	Fuse 250 V 4A
FU908	Fuse 250 V 4A

CA-500 FUSE CIRCUIT BOARD



Ref. No.	Description
FU901	Lead Fuse 250V 2A
FU902	Lead Fuse 250V 3A
FU903	Lead Fuse 250V 1A
FU904	Lead Fuse 250V 1A
FU905	Lead Fuse 1A
FU906	Lead Fuse 2A
FU907	Lead Fuse 2A

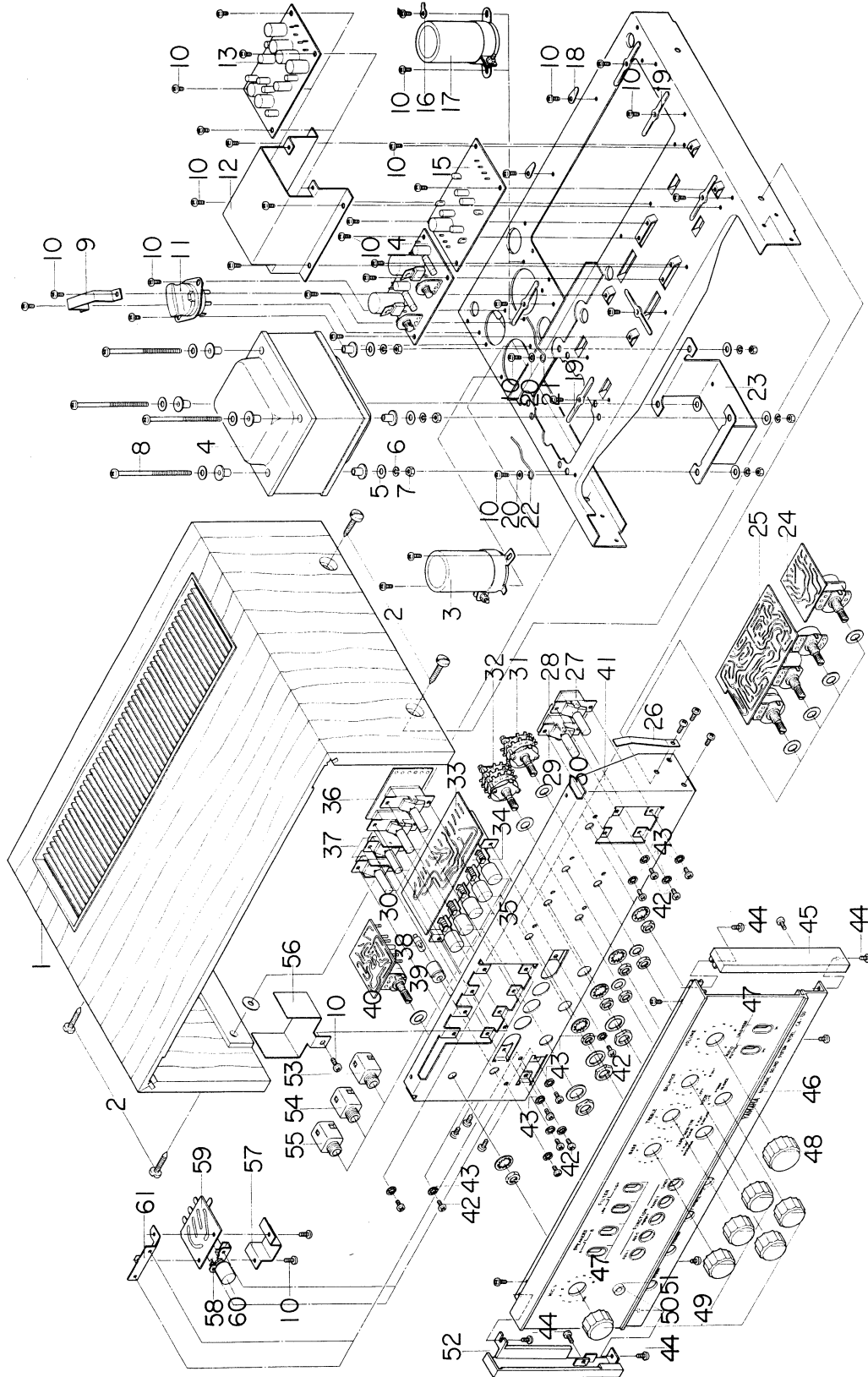
CA-700 MIC CIRCUIT BOARD



Ref. No.	Description
R901	Carbon Resistor 10 kΩ 1/4W
R902	Carbon Resistor 10 kΩ 1/4W
R903	Carbon Resistor 56 kΩ 1/4W
R904	Carbon Resistor 2 MΩ 1/4W
R905	Carbon Resistor 10 kΩ 1/4W
R906	Carbon Resistor 1 kΩ 1/4W
R907	Carbon Resistor 4.7 kΩ 1/4W
R908	Carbon Resistor 2.2 kΩ 1/4W
R909	Carbon Resistor 100 kΩ 1/4W
R910	Carbon Resistor 680 Ω 1/4W
R911	Carbon Resistor 180 kΩ 1/4W
R912	Carbon Resistor 330 kΩ 1/4W
R913	Carbon Resistor 6.8 kΩ 1/4W
R914	Carbon Resistor 560 Ω 1/4W
R915	Carbon Resistor 150 kΩ 1/4W
R916	Carbon Resistor 56 kΩ 1/4W
R917	Carbon Resistor 56 kΩ 1/4W
C901	Electrolytic Capacitor 1 μF 25WV
C902	Ceramic Capacitor 560 pF 50WV
C903	Electrolytic Capacitor 47 μF 35WV
C904	Electrolytic Capacitor 1 μF 25WV
C905	Electrolytic Capacitor 1 μF 25WV
C906	Ceramic Capacitor 560 pF 50WV
C907	Ceramic Capacitor 47 pF 50WV
C908	Ceramic Capacitor 56 pF 50WV
C909	Electrolytic Capacitor 10 μF 16WV
C910	Mylar Capacitor 0.027 μF 50WV
VR901	Volume Control 50 kΩ (A)
TR901	Transistor 2SC458 LG (C, D)
TR902	Transistor 2SC458 LG (C, D)
TR903	Transistor 2SC458 LG (C, D)

CA-700 EXPLODED VIEW

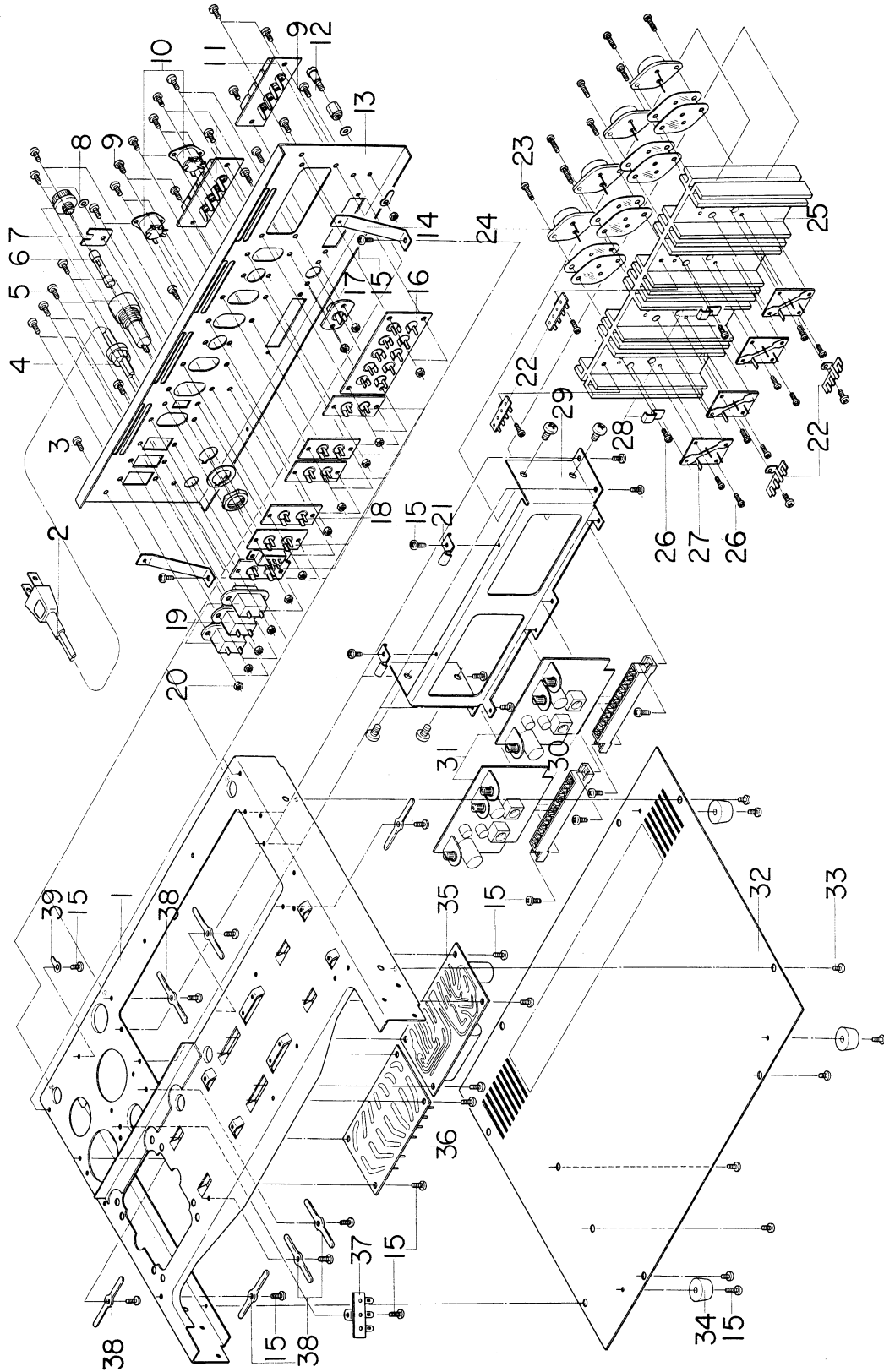
CHASSIS FRONT



Ref. No.	Parts No.	Description	Ref. No.	Parts No.	Description
	DA6075	Outside Case			
2.	AA7220	Tapping Screw			Variable Resistor (Tape Monitor)
3.		Electrolytic Capacitor	33.	MA6229	Function Circuit Board
4.		Transformer	34.		Push Switch (Function)
5.	EJ1104	Washer	35.	BA6248	Push Button
6.	EJ0004	Spring Washer	36.	NA6194	Filter Circuit Board
7.	EF1040	Hexa. Nut M4	37.		Lever Switch (Phones A & B)
8.		Tapping Screw (Transformer)	38.		Pilot Lamp (Function)
9.	AA6784	Line Voltage Selector Holder Bracket	39.	CB6277	Pilot Lamp Holder Bracket
10.	EK3008	Tapping Screw 3 x 8S	40.	NA6195	MIC Circuit Board
11.		Line Voltage Selector Socket	41.	AA6812	Sub Chassis
12.	AA6910	Sealed Cover	42.	EM3006	Tapping Screw 3 x 6S
13.	NA6230	MC Pre AMP Circuit Board	43.	EJ2103	Toothed Washer
14.	NA6199	Protector Circuit Board	44.	EK3006	Tapping Screw 3 x 6S
15.	NA6192	Pre Circuit Board	45.	CB6464	Front Panel Edge Bracket (Right)
16.		Lug Washer	46.	BA6228	Front Panel Unit
17.		Electrolytic Capacitor	47.	CB6466	Lever Switch Frem
18.		Lug Washer	48.	BA6252	Knob
19.	AA6570	Wire Holder Bracket	49.	BA6251	Knob
20.	EJ1103	Washer 3S	50.	BA6243	Pilot Lamp Lens
21.	AA1148	Wire Holder	51.	BA6467	Pilot Lamp Lens Frem
22.	AA1147	Wire Holder	52.	CN6465	Front Panel Edge Bracket
23.	AA7104	Chassis Stay Bracket	53.		MIC Jack
24.	NA6197	Volume Circuit Board	54.		MIC Jack
25.	NA6193	Tone Circuit Board	55.		Phones Jack
26.	AA7075	Board Spring	56.	AA6818	Lever Switch Holder Bracket (Speaker)
27.		Lever Switch (Loudness)	57.	CB6510	Power Switch Cover
28.	NA6196	Muting Circuit Board	58.		Push Switch (Power)
29.		Lever Switch (Muting)	59.	NA6181	Power Switch Circuit Board
30.	BA6247	Lever (Throw Switch)	60.	BA6294	Push Button
31.		Variable Resistor (Mode)	61.	AA6816	Power Switch Holder Bracket

CA-700 EXPLODED VIEW

CHASSIS BACK

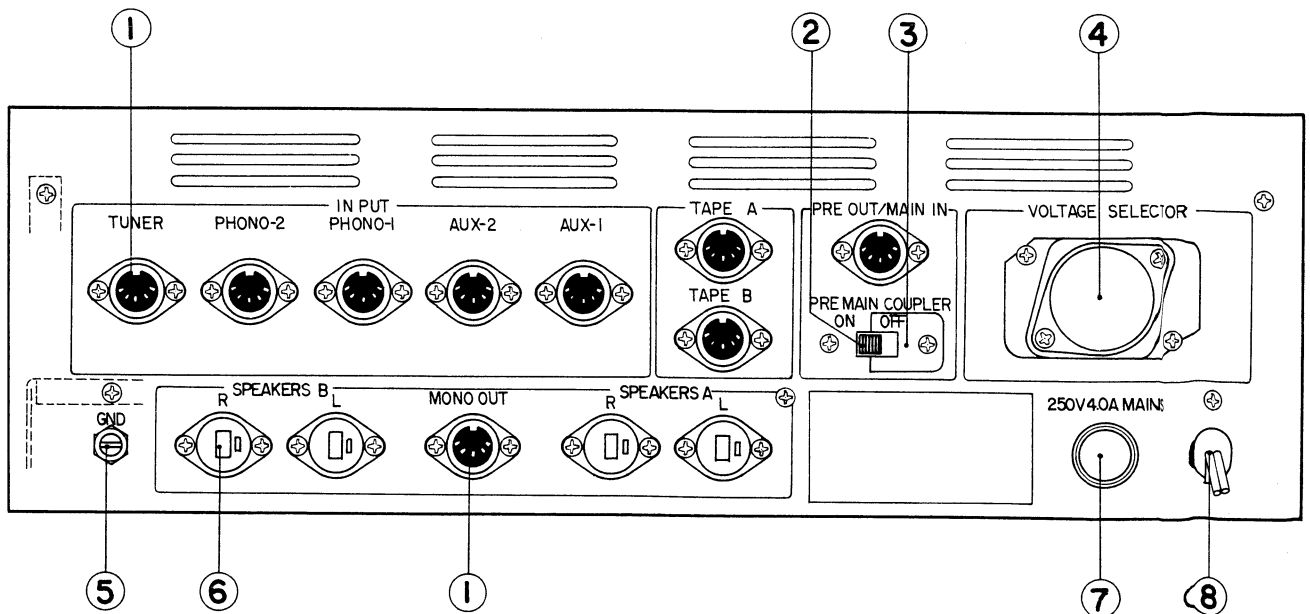


Ref. No.	Parts No.	Description
1.	AA6811	Main Chassis
2.		AC Cord & Plug
3.	EK3008	Tapping Screw 3 x 8S
4.		AC Cord Stopper
5.		Fuse Holder
6.		Fuse
7.	CB6390	Slide Switch Stopper
8.	EJ1103	Washer 3S
9.		Lug Washer
10.		DIN Connector
11.		4P Terminal
12.	LA6028	Ground Terminal
13.	AA6821	IN/OUTPUT Terminal Board Unit
14.	AA6627	IN/OUTPUT Terminal Board Stay Bracket
15.		Slide Switch
16.		Pin Jack 10P
17.		Pin Jack 1P
18.		Pin Jack 2P
19.		Additional AC Socket
20.	EF1030	Hexa. Nut M3
21.	AA6814	Main Circuit Board Stay Bracket
22.		4P Lug
23.	EM3010	Tapping Screw 3 x 10S
24.		Transistor 2SC898
25.	BA6230	Radiation Panel
26.	EK2608	Tapping Screw 2.6 x 8S

Ref. No.	Parts No.	Description
27.		Transistor Socket
28.	AA6315	Diode Holder Bracket
29.	AA6813	Radiation Panel Stand Bracket
30.		Main Circuit Board Socket
31.	NA6191	Main Circuit Board
32.	AA7105	Underside Plate
33.	BA3004	Tapping Screw 3 x 4S
34.	CB6499	Rubber Foot
35.	NA6198	Power Circuit Board
36.	NA6200	Fuse Circuit Board
37.		2P Lug
38.	AA6570	Wire Holder Bracket

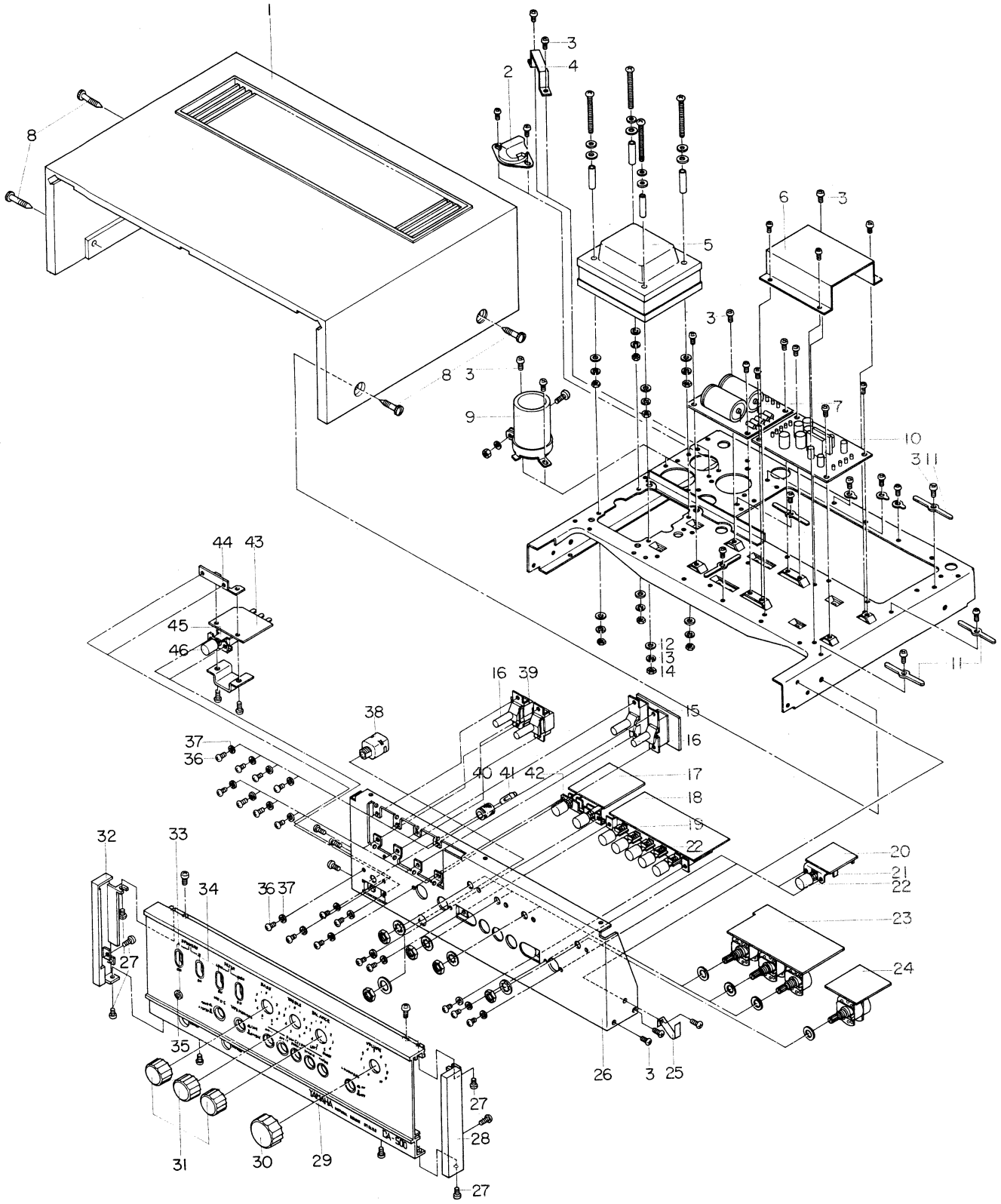
BACK PANEL, EUROPEAN MODELS.

Ref. No.	Parts No.	Description
1.		DIN Connector
2.		Slide Switch
3.	CB6390	Slide Switch Stopper
4.		Voltage Selector Socket
5.	LA6208	Ground Terminal
6.		DIN Connector 2P
7.		Fuse Holder
8.	MZ6175	AC Cord & Plug



CA-500 EXPLODED VIEW

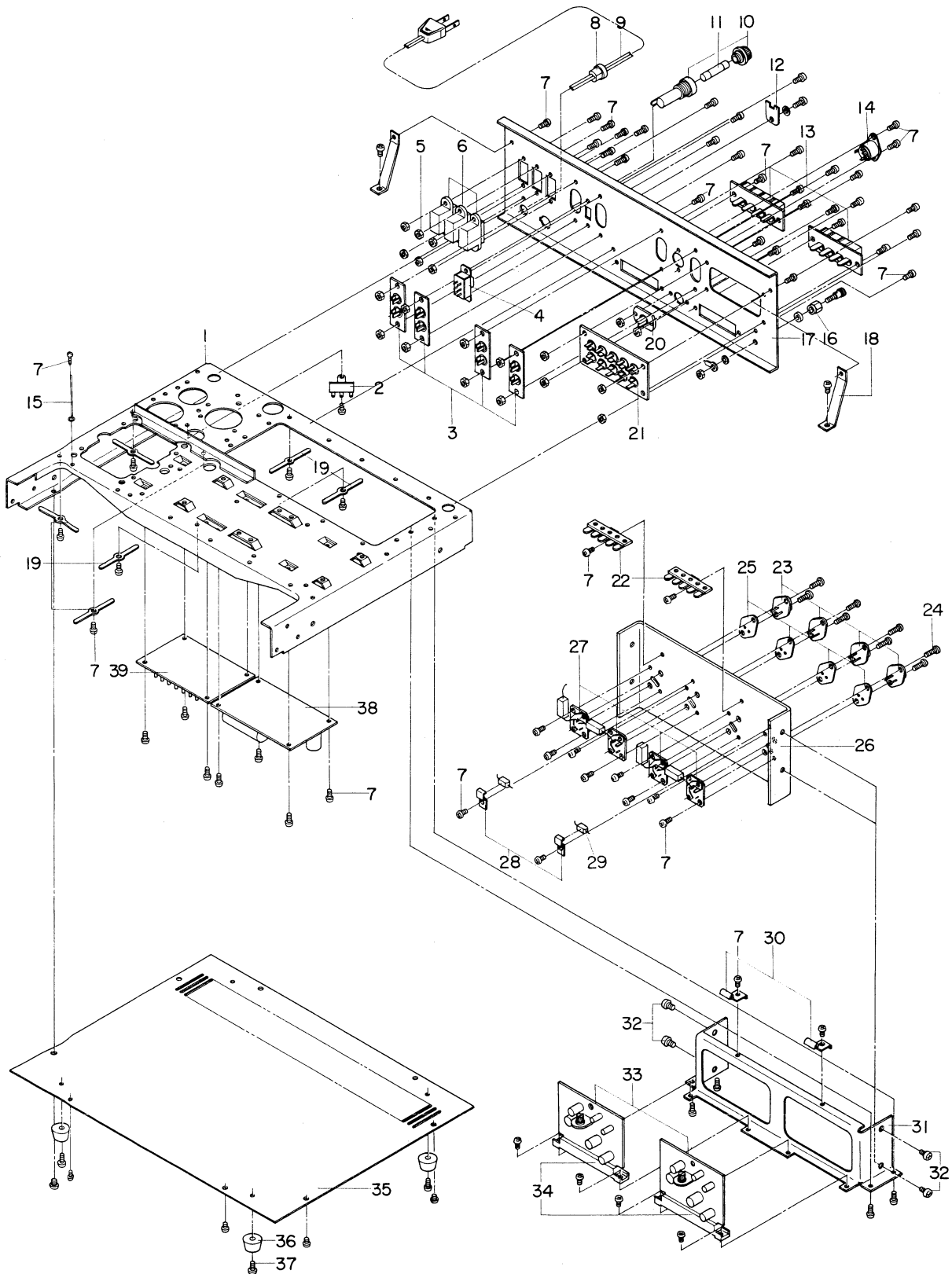
CHASSIS FRONT



Ref. No.	Parts No.	Description
1.	DA6075	Outside Case
2.		Voltage Selector
3.	EK3008	Tapping Screw 3 x 8S
4.	AA6784	Voltage Selector Holder Bracket
5.		Transformer
6.	AA6817	Pre AMP. Circuit Board Holder Bracket
7.	NA6179	Output Capacitor Circuit Board
8.	AA7226	Tapping Screw (Outside Case)
9.		Electrolytic Capacitor
10.	NA6117	Pre AMP. Circuit Board
11.	AA6570	Wire Holder Bracket
12.	EJ1104	Washer 3S
13.	EJ0004	Spring Washer
14.	EF1040	Hexa. Nut M4
15.	NA6190	Filter Circuit Board
16.	BA6247	Lever (Throw Switch)
17.	NA6189	Mode Circuit Board
18.	NA6180	Function Circuit Board
19.		Push Switch (Function)
20.	NA6188	Loudness Circuit Board
21.		Loudness Switch
22.	BA6248	Push Button
23.	NA6185	Tone Circuit Board
24.	NA6178	Volume Circuit Board
25.	AA7075	Spring Board
26.	AA6824	Sub Chassis
27.	ES3006	Tapping Screw 5 x 3S
28.	CB6465	Front Panel Edge Bracket (Right)
29.	BA6229	Dial Panel
30.	BA6252	Knob
31.	BA6251	Knob
32.	CB6464	Front Panel Edge Bracket (Left)
33.	BA6243	Lens Frame (Pilot Lamp)
34.	CB6466	Lever Switch Frame
35.	CB6467	Lens Pilot Lamp
36.	EM3006	Tapping Screw 2 x 6S
37.	EJ2103	Toothed Washer
38.	LA6221	Phones Jack
39.	LA6226	Lever Switch (Speaker A & B)
40.	CB6227	Pilot Lamp Holder Rubber (Function)
41.		Pilot Lamp (Function)
42.		Push Switch (Mode)
43.	NA6181	Power Switch Circuit Board
44.	AA6816	Push Switch Stay Bracket
45.		Push Switch (Power)
46.	BA6249	Push Button

CA-500 EXPLODED VIEW

CHASSIS BACK

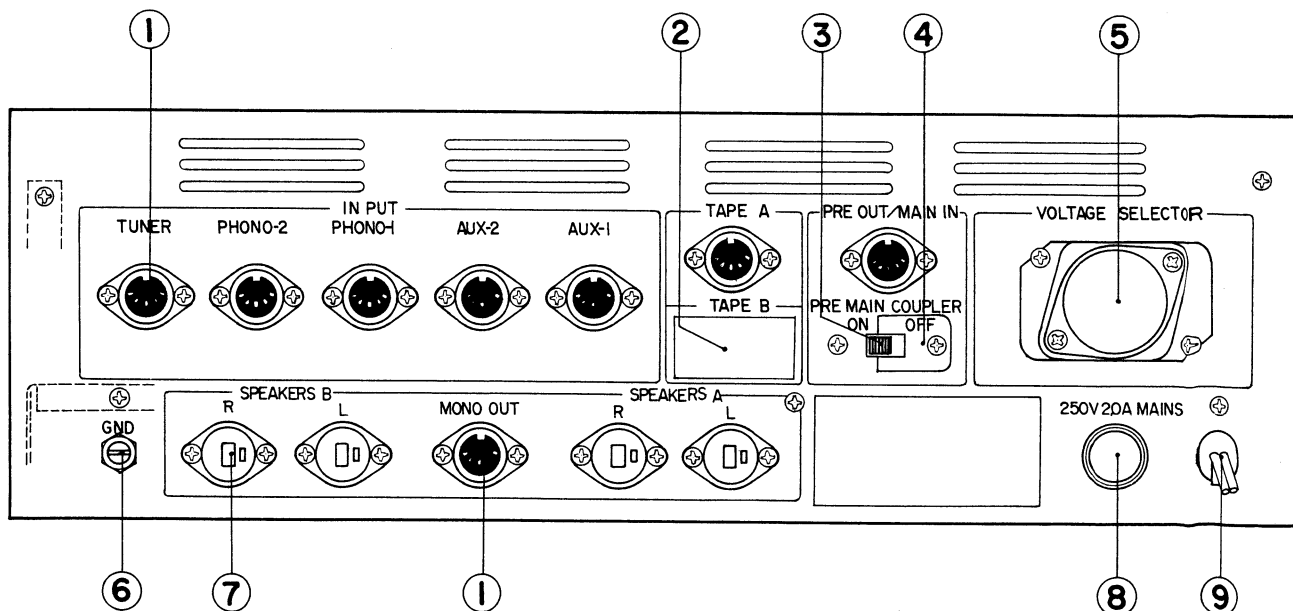


Ref. No.	Parts No.	Description
1.	AA6811	Main Chassis
2.		2P Lug
3.	NB6227	Pin Connector
4.	NB6028	Slide Switch
5.	EF1030	Hexa. Nut M3
6.	NB6028	Additional AC Socket
7.	EK3008	Tapping Screw 3 x 8S
8.	NB6227	AC Cord Stopper
9.	NB6028	AC Cord & Plug
10.	NB6028	Fuse Holder
11.	NB6028	Fuse
12.	CB6390	Slide Switch Stopper
13.	NB6028	Screw Terminal 4P
14.	NB6028	Din Connector
15.	AA1147	Washer Holder
16.	LA6028	Ground Terminal
17.	AA6896	IN/OUTPUT Terminal Unit
18.	AA6627	IN/OUTPUT Terminal Board Stay Bracket
19.	AA6570	Wire Holder Bracket
20.	NB6028	Pin Connector
21.	NB6028	Pin Connector
22.	NB6217	4P Lug
23.	NB6217	Transistor 2SD257
24.	EM3010	Tapping Screw 3 x 10S
25.		Isolation Sheet
26.	BA6233	Radiation Panel
27.	NB6217	Transistor Socket
28.	AA6815	Diode Holder Bracket
29.		Diode
30.	AA6814	Main Circuit Board Stay Bracket
31.	AA6813	Radiation Board Holder

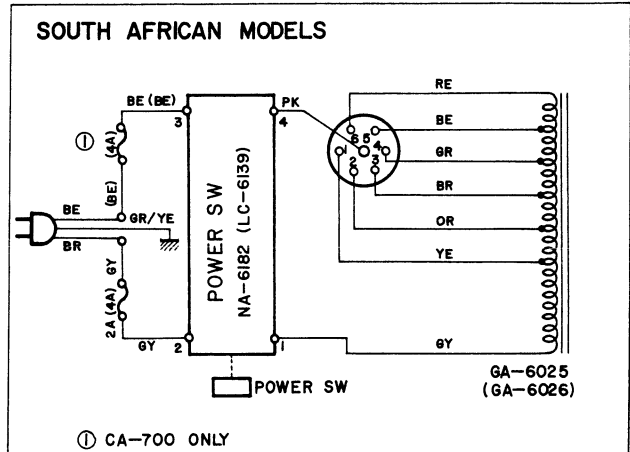
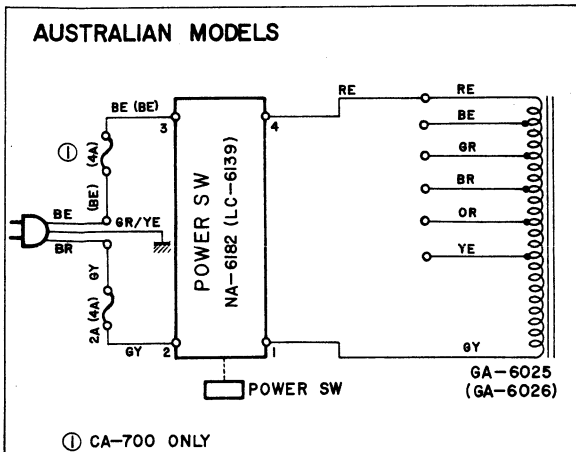
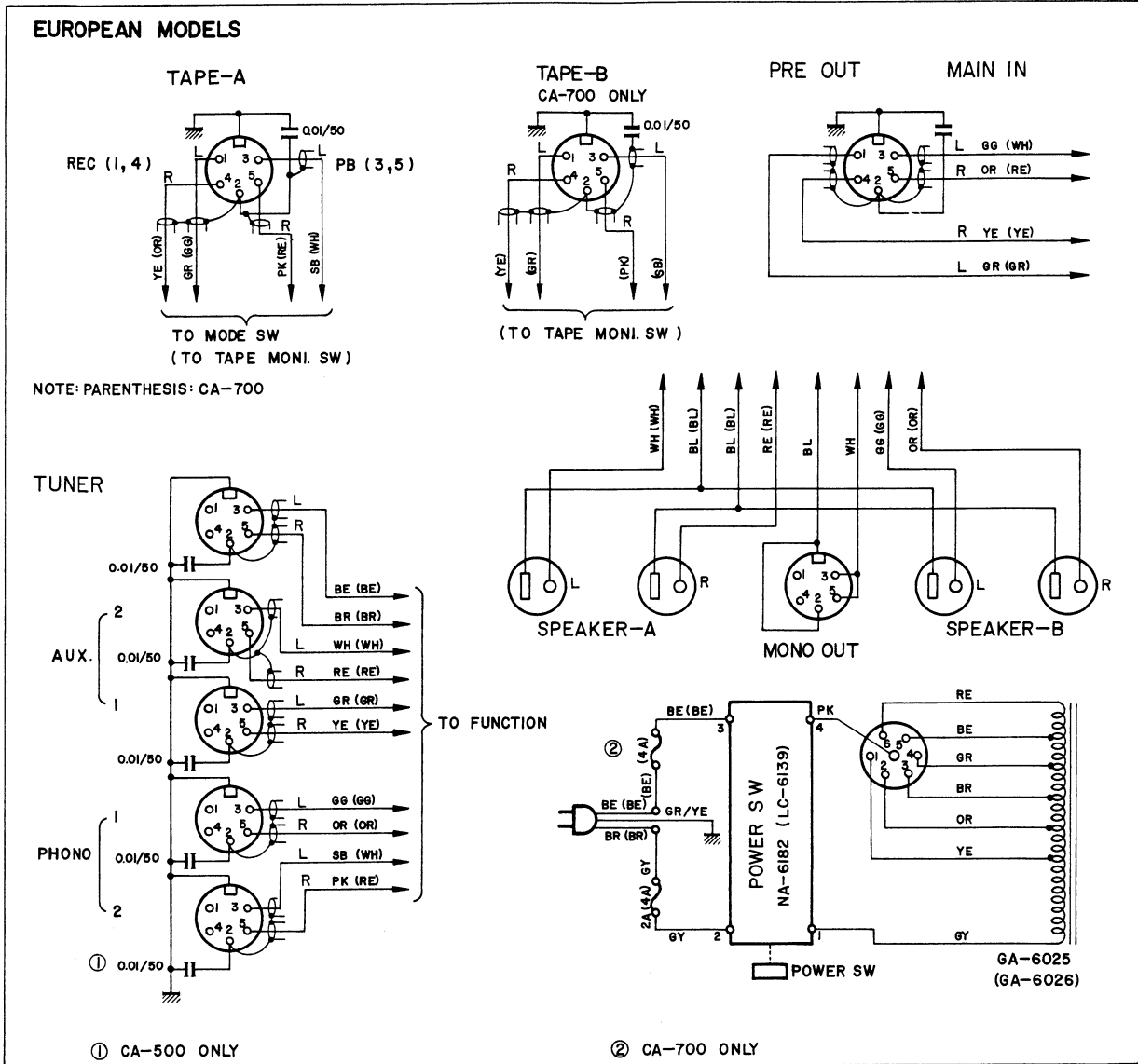
Ref. No.	Parts No.	Description
32.	ES5008	Tapping Screw 5 x 8S
33.	NA6183	Main Circuit Board
34.		Main Circuit Board Stand
35.		Underside Plate
36.		Rubber Foot
37.		Tapping Screw (Rubber Foot)
38.	NA6184	Power Circuit Board
39.	NA6186	Fuse Circuit Board

BACK PANEL, EUROPEAN MODELS

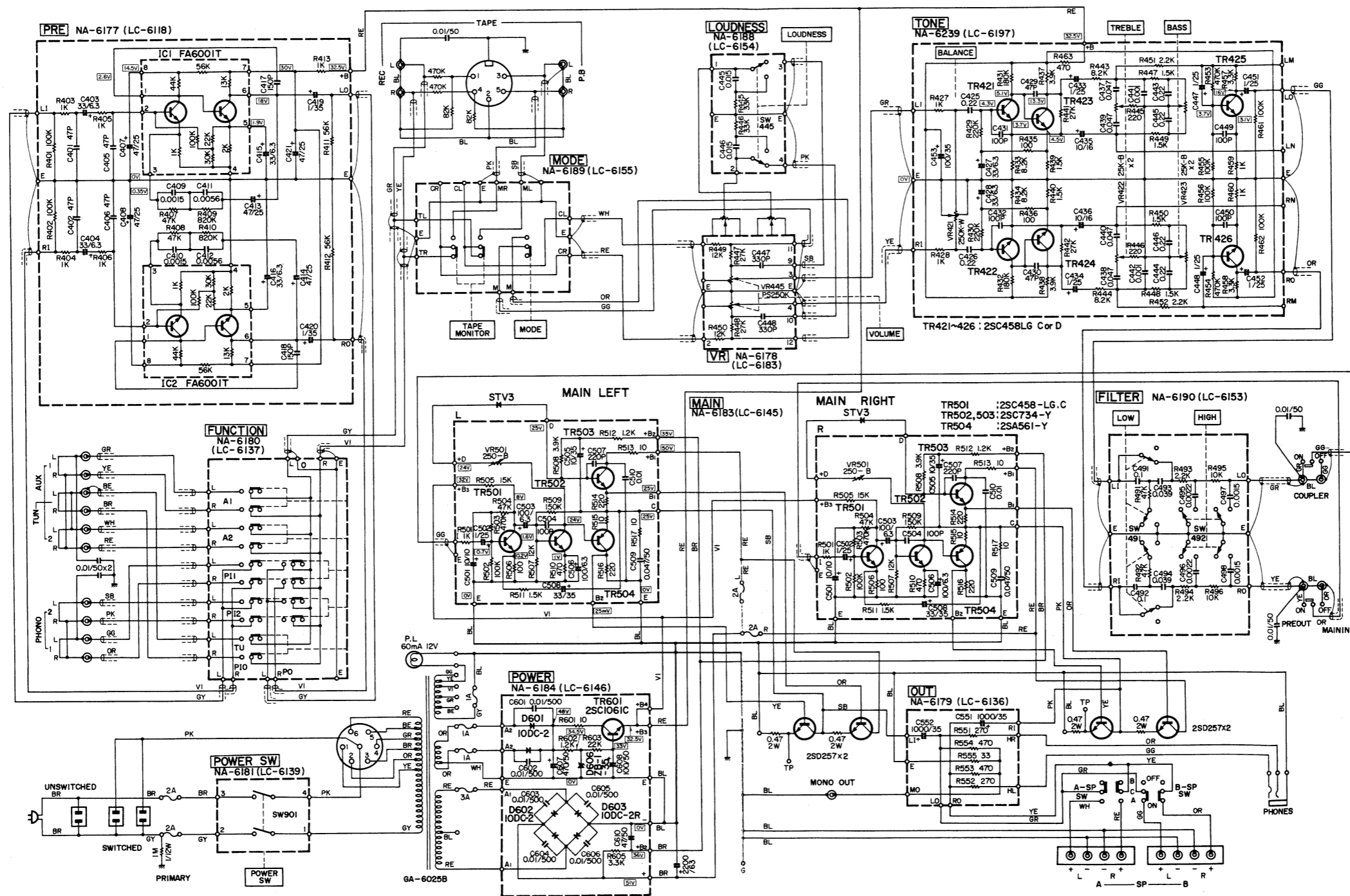
Ref. No.	Parts No.	Description
1.	NB6233	DIN Connector
2.	CB6471	DIN Connector Cover
3.		Slide Switch
4.	CB6390	Slide Switch Stopper
5.		Voltage Selector Socket
6.	LA6028	Ground Terminal
7.	NB6233	DIN Connector 2P
8.	NB6233	Fuse Holder
9.	NB6233	AC Cord & Plug



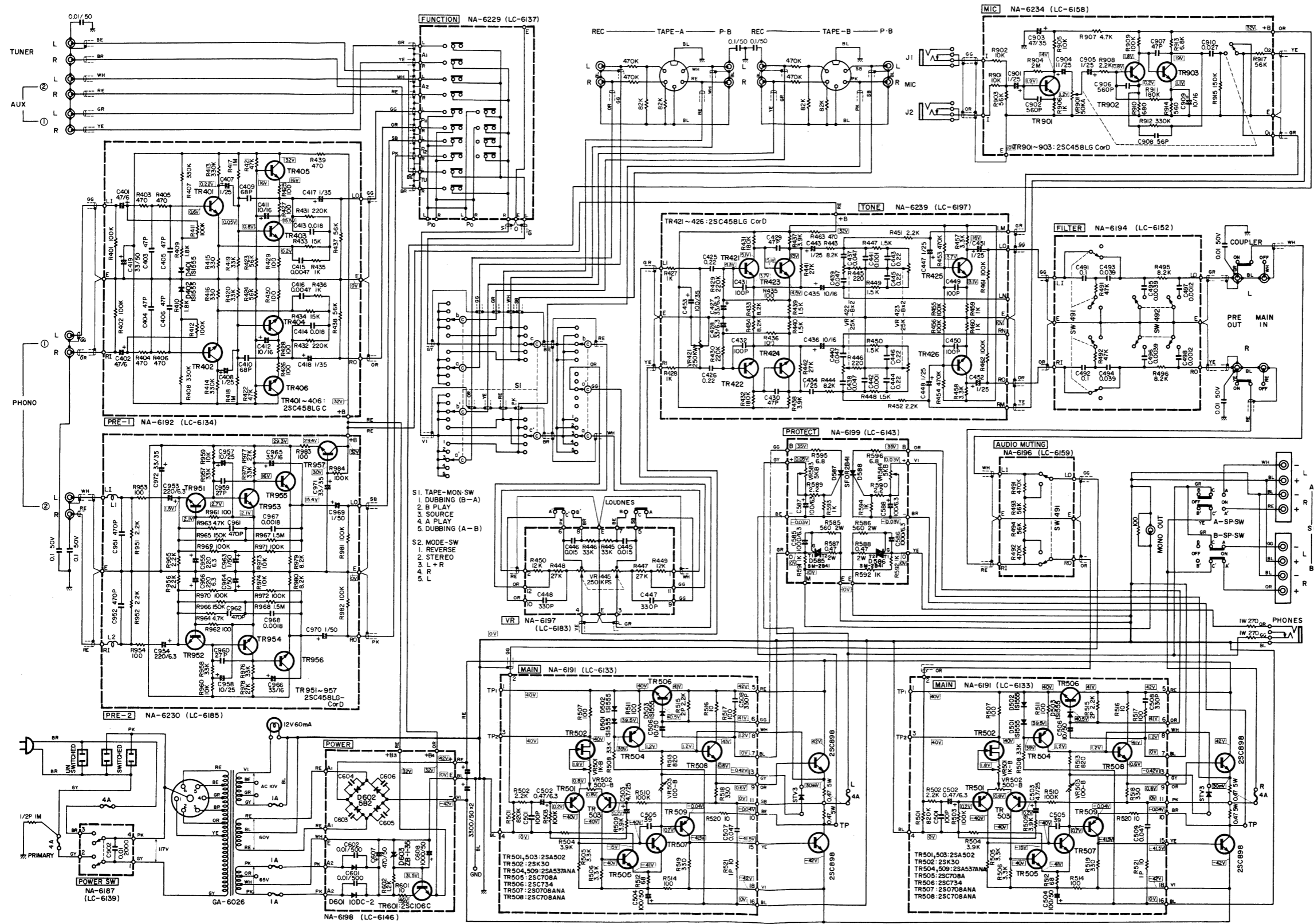
AUSTRALIAN, SOUTH AFRICAN, EUROPEAN MODELS SPECIFICATIONS



CA-500 OVERALL SCHEMATIC DIAGRAM

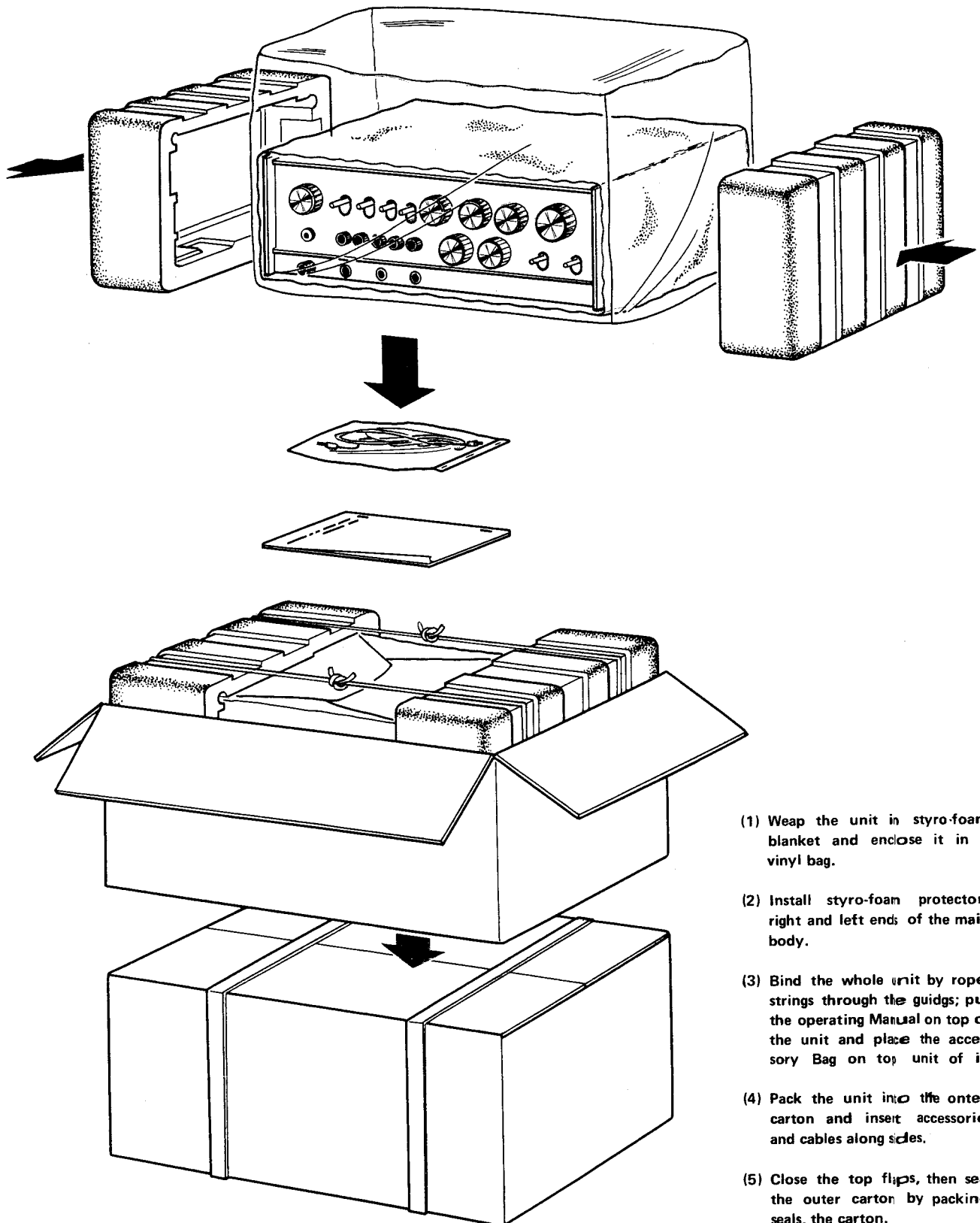


CA-700 OVERALL SCHEMATIC DIAGRAM



SCHEMATIC DIAGRAM SUBJECT CHANGE WITHOUT NOTICE

PACKING INSTRUCTION



- (1) Wrap the unit in styro-foam blanket and enclose it in a vinyl bag.
- (2) Install styro-foam protectors right and left ends of the main body.
- (3) Bind the whole unit by rope/strings through the guides; put the operating Manual on top of the unit and place the accessory Bag on top of it.
- (4) Pack the unit into the outer-carton and insert accessories and cables along sides.
- (5) Close the top flaps, then seal the outer carton by packing-seals, the carton.