

DIGITAL MIXING CONSOLE

PM5D/PM5D-RH

SERVICE MANUAL

PM5D

DIGITAL MIXING CONSOLE



PM5D

OPTION

- POWER SUPPLY

PW800W

- POWER SUPPLY LINK CABLE

PSL120

■ CONTENTS

SPECIFICATIONS	4	SAVING FILE to a MEMORY CARD	249/251
CONNECTOR PIN ASSIGNMENTS	13	INITIALIZING THE PM5D's INTERNAL MEMORY	253
PANEL LAYOUT	15	WARNING MESSAGES	254/256
DIMENSIONS	29	ERROR MESSAGES ...	255/257
CIRCUIT BOARD LAYOUT	30	MIDI IMPLEMENTATION CHART	258
DISASSEMBLY PROCEDURE	36	MIDI DATA FORMAT	259
LSI PIN DESCRIPTION	71	PARTS LIST	
IC BLOCK DIAGRAM	84	BLOCK DIAGRAM	
CIRCUIT BOARDS	92	OVERALL CONNECTOR CIRCUIT DIAGRAM	
INSPECTIONS	191/203	CIRCUIT DIAGRAM	
SERVICE CHECK PROGRAM	215/225	PW800W SERVICE MANUAL	
PANEL TEST	235/240	PSL120 PARTS LIST	
UPDATING THE PROGRAM	245/246		
INSTALLING an OPTION CARD	247/248		

PA 011740

PM5D: 200408-
PM5D-RH: 200408-
PW800W: 200408-
PSL120: 200408-

 **YAMAHA**
HAMAMATSU, JAPAN

Copyright (c) Yamaha Corporation. All rights reserved. PDF-K75361 IT '04.09

IMPORTANT NOTICE

This manual has been provided for the use of authorized Yamaha Retailers and their service personnel. It has been assumed that basic service procedures inherent to the industry, and more specifically Yamaha Products, are already known and understood by the users, and have therefore not been restated.

WARNING : Failure to follow appropriate service and safety procedures when servicing this product may result in personal injury, destruction of expensive components and failure of the product to perform as specified. For these reasons, we advise all Yamaha product owners that all service required should be performed by an authorized Yamaha Retailer or the appointed service representative.

IMPORTANT : This presentation or sale of this manual to any individual or firm does not constitute authorization certification, recognition of any applicable technical capabilities, or establish a principal-agent relationship of any form.

The data provided is believed to be accurate and applicable to the unit(s) indicated on the cover. The research engineering, and service departments of Yamaha are continually striving to improve Yamaha products. Modifications are, therefore, inevitable and changes in specification are subject to change without notice or obligation to retrofit. Should any discrepancy appear to exist, please contact the distributor's Service Division.

WARNING : Static discharges can destroy expensive components. Discharge any static electricity your body may have accumulated by grounding yourself to the ground bus in the unit. (heavy gauge black wires connect to this bus.)

IMPORTANT : Turn the unit OFF during disassembly and parts replacement. Recheck all work before you apply power to the unit.

WARNING: CHEMICAL CONTENT NOTICE!

The solder used in the production of this product contains LEAD. In addition, other electrical/electronic and/or plastic (Where applicable) components may also contain traces of chemicals found by the California Health and Welfare Agency (and possibly other entities) to cause cancer and/or birth defects or other reproductive harm.

DO NOT PLACE SOLDER, ELECTRICAL/ELECTRONIC OR PLASTIC COMPONENTS IN YOUR MOUTH FOR ANY REASON WHAT SO EVER!

Avoid prolonged, unprotected contact between solder and your skin! When soldering, do not inhale solder fumes or expose eyes to solder/flux vapor!

If you come in contact with solder or components located inside the enclosure of this product, wash your hands before handling food.

LITHIUM BATTERY HANDLING

This product uses a lithium battery for memory back-up.

WARNING : Lithium batteries are dangerous because they can be exploded by improper handling. Observe the following precautions when handling or replacing lithium batteries.

- Leave lithium battery replacement to qualified service personnel.
- Always replace with batteries of the same type.
- When installing on the PC board by soldering, solder using the connection terminals provided on the battery cells.
- Never solder directly to the cells. Perform the soldering as quickly as possible.
- Never reverse the battery polarities when installing.
- Do not short the batteries.
- Do not attempt to recharge these batteries.
- Do not disassemble the batteries.
- Never heat batteries or throw them into fire.

ADVARSEL!

Lithiumbatteri-Eksplosionsfare ved fejlagtig håndtering. Udskiftning må kun ske med batteri af samme fabrikat og type. lever det brugte batteri tilbage til leverandren.

WARNING

Explosionsfara vid felaktigt batteribyte.

Använd samma batterityp eller en ekvivalent typ som rekommenderas av apparattillverkaren.

Kassera använt batteri enligt fabrikantens instruktion.

VAROITUS

Paristo voi räjähtää, jos se on virheellisesti asennettu.


Vaihda paristo ainoastaan laitevalmistajan suosittelemaan tyyppiin.

Hävitätä käytetty paristo valmistajan ohjeiden mukaisesti.

The following information complies with Dutch official Gazette 1995. 45; ESSENTIALS OF ORDER ON THE COLLECTION OF BATTERIES.

- Please refer to the disassembly procedure for the removal of Back-up Battery.
- Lees u voor het verwijderen van de backup batterij deze beschrijving.

WARNING

Components having special characteristics are marked  and must be replaced with parts having specification equal to those originally installed.





Take care not to trap your fingers.



PM5D-RH

PM5D



PW800W



PW800W

PW800W

PSL120

SPECIFICATIONS

1. General Specifications

Sampling Frequency	Internal: 44.1 kHz, 48 kHz, 88.2 kHz, 96 kHz External: 44.1 kHz (-10%) to 48 kHz (+6%) 88.2 kHz (-10%) to 96 kHz (+6%)
Signal Delay	PM5D: Less than 2.3 ms INPUT to STEREO A,B (@Fs = 48 kHz) Less than 1.15 ms INPUT to STEREO A,B (@Fs = 96 kHz) PM5D-RH: Less than 2.5 ms INPUT to STEREO A,B (@Fs = 48 kHz) Less than 1.25 ms INPUT to STEREO A,B (@Fs = 96 kHz)
Fader	100mm motorized x38
Fader Resolution	+10 to -138, $\frac{1}{2}$ dB (1024 steps/100 mm)
Maximum Voltage Gain	PM5D: 84 dB INPUT1-48 to Each Output PM5D-RH: 86 dB INPUT1-48 to Each Output
Crosstalk (@1kHz)	-80 dB Adjacent Input Channels (INPUT1-48)
Dimensions	1551 x 950 x 283 mm (W x D x H)
Net Weight	PM5D: 98 kg PM5D-RH: 97 kg
Power Requirements	PM5D: 480W, DC 24V, 20A (Use PW800W Only) PM5D-RH: 528W, DC 24V, 22A (Use PW800W Only)
Operation free-air Temperature Range	+10°C to +35°C
Storage Temperature Range	-20°C to +60°C
Included Accessories	Owner's Manual Gooconook Lamp x 3 Power Supply PW800W Connection Cable Studio Manager CD-ROM Studio Manager Installation Guide
Optional Accessories	mini YGDAI cards Power Supply PW800W Power Supply Link Cable PSL120

● Analog Input (1-48)

Connector	XLR-3-31 Type (Balanced) x48
Phantom Power	PM5D: +48V DC is supplied to input by individual mechanical switch PM5D-RH: +48V DC is supplied to input by individual software control
Pad Switch	PM5D: 0/26 dB attenuation
Gain Control	PM5D: 44 dB detented -80 dB to -16 dB (PAD=OFF), -34 to +10 dB (PAD=ON) PM5D-RH: 72 dB by software control -82 dB to +10 dB (1 dB step)
Peak Indicator	Red LED is lit when post HA level reaches 3 dB below clipping
Signal Indicator	Green LED is lit when post HA level reaches 14 dB below nominal
Insert (Pre AD converter)	PM5D: Out, In (TRS Balanced)
Insert Switch	PM5D: On/Off
AD Converter	24bit linear, 128 times oversampling

● Analog Input (ST IN1-4 [L,R])

Connector	XLR-3-31 Type (Balanced) x8
Phantom Power	PM5D-RH: +48V DC is supplied to input by individual software control
Gain Control	PM5D: 44 dB detented -34 dB to +10 dB PM5D-RH: 72 dB by software control -82 dB to +10 dB (1 dB step)
Peak Indicator	Red LED is lit when post HA level reaches 3 dB below clipping
Signal Indicator	Green LED is lit when post HA level reaches 14 dB below nominal
AD Converter	24bit linear, 128 times oversampling

● Analog Input (2TR IN ANALOG1,2 [L,R])

Connector	XLR-3-31 Type (Balanced) x4
Gain Switch	+24 dBu (default) / +18 dBu
AD Converter	24bit linear, 128 times oversampling

● Digital Input (2TR IN DIGITAL1-3)

Connector	AES/EBU XLR-3-31 Type (Balanced) x2 (DIGITAL IN 1,2) SPDIF RCA PIN (DIGITAL IN 3)
Sampling Rate Converter	On/Off by software control (1:3 and 3:1 maximum input to output sample rate ratio)

● Talkback Input

Connector	XLR-3-31 Type (Balanced)
Phantom Power	+48V DC is supplied by software control
Gain	50 dB fixed (pre level control)
AD Converter	24bit linear, 128 times oversampling
Talkback Select	TALKBACK IN and selected INPUT1-48 can be used simultaneously

● Oscillator

Level	0 to -96dB (1dB step)
On/Off	Dedicated switch and software control
Waveform	MODE: Sine Wave 1ch, Sine Wave 2ch, Pink Noise, Burst Noise Sine Waveform: 100Hz, 1kHz, 10kHz
Routing	MIX1-24, MATRIX1-8, STEREO A,B (L,R)

● STEREO A,B [L,R] MIX1-24 MATRIX1-8

Connector	XLR-3-32 Type (Balanced)
DA Converter	24bit linear, 128 times oversampling

● MONITOR OUT [L,C,R], CUE OUT

Connector	XLR-3-32 Type (Balanced)
DA Converter	24bit linear, 128 times oversampling
Level Control	Analog potentiometer

● PHONES (x2)

Connector	TRS
Level Control	Analog potentiometer

● Digital Output (2TR OUT DIGITAL1-3)

Connector	AES/EBU XLR-3-32 Type (Balanced) x2 (DIGITAL OUT 1,2) SPDIF RCA PIN (DIGITAL OUT 3)
Sampling Rate Converter	On/Off by software control (1:3 and 3:1 maximum input to output sample rate ratio)

2. Inputs/Outputs Characteristics

• Analog Input Characteristics (PM5D)

Input Terminals	PAD	GAIN	Actual Load Impedance	For Use With Nominal	GAIN SW *4	Input Level			Connector
						Sensitivity*1	Nominal	Max. Before Clip	
INPUT 1-48	0	-60dB	3k Ω	50-600 Ω Mics & 600 Ω Lines	—	-80 dBu (0.0775 mV)	-60 dBu (0.775 mV)	-40 dBu (7.75 mV)	XLR-3-31 Type (Balanced) ²
		-16dB				-36 dBu (12.3 mV)	-16 dBu (123 mV)	+4 dBu (1.23 V)	
ST IN1-4 [L,R]	—	-34dB	4k Ω	600 Ω Lines	—	-54 dBu (1.55 mV)	-34 dBu (15.5 mV)	-14 dBu (155 mV)	XLR-3-31 Type (Balanced) ²
		10dB				-10 dBu (245 mV)	+10 dBu (2.45 V)	+30 dBu (24.51 V)	
INSERT IN 1-48	—	—	10k Ω	600 Ω Lines	—	-16 dBu (123 mV)	+4 dBu (1.23 V)	+24 dBu (12.28 V)	Phone Jack (TRS) (Balanced) ³
2TR IN ANALOG 1,2 [L,R]	—	—	10k Ω	600 Ω Lines	-24 dB (default)	-6 dBu (388 mV)	+4 dBu (1.23 V)	+24 dBu (12.28 V)	XLR-3-31 Type (Balanced) ²
					+18 dB	+12 dBu (195 mV)	+2 dBu (0.616 V)	+18 dBu (6.16 V)	
TALKBACK	—	—	3k Ω	50-600 Ω Mics & 600 Ω Lines	—	-60 dBu (0.775 mV)	-50 dBu (2.45 mV)	-30 dBu (24.5 mV)	XLR-3-31 Type (Balanced) ²

• Analog Input Characteristics (PM5D-RH)

Input Terminals	GAIN	Actual Load Impedance	For Use With Nominal	GAIN SW *4	Input Level			Connector
					Sensitivity *1	Nominal	Max. Before Clip	
INPUT 1-48	-62dB	3k Ω	50-600 Ω Mics & 600 Ω Lines	—	-82 dBu (61.6 mV)	-62 dBu (0.616 mV)	-42 dBu (6.16 mV)	XLR-3-31 Type (Balanced) ²
	+10dB				-10 dBu (245 mV)	+10 dBu (2.45 V)	+30 dBu (24.5 V)	
ST IN1-4 [L,R]	-62dB	3k Ω	50-600 Ω Mics & 600 Ω Lines	—	-82dBu (61.6 mV)	-62 dBu (0.616 mV)	-42 dBu (6.16 mV)	XLR-3-31 Type (Balanced) ²
	+10dB				-10 dBu (245 mV)	+10 dBu (2.45 V)	+30 dBu (24.5 V)	
2TR IN ANALOG 1,2 [L,R]	—	10k Ω	600 Ω Lines	-24 dB (default)	-6 dBu (388 mV)	+4 dBu (1.23 V)	+24 dBu (12.28 V)	XLR-3-31 Type (Balanced) ²
				+18 dB	-12 dBu (195 mV)	-2 dBu (0.616 V)	+18 dBu (6.16 V)	
TALKBACK	—	3k Ω	50-600 Ω Mics & 600 Ω Lines	—	-60 dBu (0.775 mV)	-50 dBu (2.45 mV)	-30 dBu (24.5 mV)	XLR-3-31 Type (Balanced) ²

*1. Sensitivity is the lowest level that will produce an output of +4 dBu (1.23 V) or the nominal output level when the unit is set to maximum gain. (All faders and level controls are maximum position.)
 *2. XLR-3-31 type connectors are balanced. (1=GND, 2=HOT, 3=COLD)
 *3. Phone jacks are balanced. (Tip=HOT, Ring=COLD, Sleeve=GND)
 *4. There are switches inside the body to preset the maximum input level.

* In these specifications, 0 dBu = 0.775 Vrms.
 * All input AD converters are 24bit linear, 128 times (@48 kHz) oversampling.
 * PM5D: +48V DC (phantom power) is supplied to INPUT (1-48) XLR type connectors via each individual switch, and TALKBACK XLR type connectors via software switch.
 PM5D-RH: +48V DC (phantom power) is supplied to INPUT (1-48) and TALKBACK XLR type connectors via master mechanical switch and each individual software switch.

•Analog Output Characteristics

Output Terminals	Actual Source Impedance	For Use With Nominal	GAIN SW ⁴	Output Level		Connector
				Nominal	Max. Before Clip	
STEREO A,B (L,R)	150 Ω	600 Ω Lines	+24 dB (default)	+4 dBu (1.23 V)	+24 dBu (12.28 V)	XLR-3-32 Type (Balanced) ¹
			+18 dB	-2 dBu (616 mV)	+18 dBu (6.16 V)	
MONITOR OUT (L,R,C)	150 Ω	600 Ω Lines	+24 dB (default)	+4 dBu (1.23 V)	+24 dBu (12.28 V)	XLR-3-32 Type (Balanced) ¹
			+18 dB	-2 dBu (616 mV)	+18 dBu (6.16 V)	
CUE OUT (L,R)	150 Ω	600 Ω Lines	+24 dB (default)	+4 dBu (1.23 V)	+24 dBu (12.28 V)	XLR-3-32 Type (Balanced) ¹
			+18 dB	-2 dBu (616 mV)	+18 dBu (6.16 V)	
MATRIX OUT 1-8	150 Ω	600 Ω Lines	+24 dB (default)	+4 dBu (1.23 V)	+24 dBu (12.28 V)	XLR-3-32 Type (Balanced) ¹
			+18 dB	-2 dBu (616 mV)	+18 dBu (6.16 V)	
MIX OUT 1-24	150 Ω	600 Ω Lines	+24 dB (default)	+4 dBu (1.23 V)	+24 dBu (12.28 V)	XLR-3-32 Type (Balanced) ¹
			+18 dB	-2 dBu (616 mV)	+18 dBu (6.16 V)	
INSERT OUT 1-48	150 Ω	10k Ω Lines	—	+4 dBu (1.23 V)	+24 dBu (12.28 V)	Phone Jack (TRS) (Balanced) ^{2,5}
PHONES (x 2)	15 Ω	8 Ω Phones	—	75 mW ⁶	150 mW	Stereo Phone Jack (TRS) (Unbalanced) ³
		40 Ω Phones		65 mW ⁶	150 mW	

*1. XLR-3-32 type connectors are balanced.(1=GND,2=HOT,3=COLD)

*2. Phone jacks are balanced.(Tip=HOT, Ring=COLD, Sleeve=GND)

*3. PHONES stereo phone jacks are unbalanced.(Tip=LEFT, Ring=RIGHT, Sleeve=GND)

*4. There are switches inside the body to preset the maximum output level.

*5. INSERT OUTs are only provided for PM5D.

*6. The position of the level control is 10 dB lowered from Max.

* In these specifications, 0 dBu =0.775 Vrms.

* All output DA converters are 24bit,128 times (@48 kHz)oversampling.

•Digital Input Characteristics

Terminal	Format	Data Length	Level	Connector	
2TR IN DIGITAL	1 AES/EBU	AES/EBU	24bit	RS422	XLR-3-31 Type (Balanced) ¹
	2 AES/EBU	AES/EBU	24bit	RS422	XLR-3-31 Type (Balanced) ¹
	3 COAXIAL	IEC-60958	24bit	0.5Vpp/75 Ω	RCA Pin Jack
CASCADE IN	—	—	RS422	D-Sub Half Pitch Connector 68P (Female)	

*1. XLR-3-31 type connectors are balanced.(1=GND,2=HOT,3=COLD)

•Digital Output Characteristics

Terminal	Format	Data Length	Level	Connector	
2TR OUT DIGITAL	1 AES/EBU	AES/EBU ¹ Professional Use	24bit ³	RS422	XLR-3-32 Type (Balanced) ⁴
	2 AES/EBU	AES/EBU ¹ Professional Use	24bit ³	RS422	XLR-3-32 Type (Balanced) ⁴
	3 COAXIAL	IEC-60958 ² Consumer Use	24bit ³	0.5Vpp/75 Ω	RCA Pin Jack
CASCADE OUT	—	—	RS422	D-Sub Half Pitch Connector 68P (Female)	

*1. The channel status of 2TR OUT DIGITAL 1, 2 is described on page 8.

*2. The channel status of 2TR OUT DIGITAL 3 is described on page 8.

*3. Dither:word length 16/20/24 bit

*4. XLR-3-32 type connectors are balanced.(1=GND, 2=HOT, 3=COLD)

• Channel Status of 2TR OUT DIGITAL 1, 2

byte	bit	field name	fixed/variable	data	description
0	0	Block Format	fixed	1	professional use
	1	Mode		0	audio
	2-4	Emphasis		0x4	off
	5	Fs Lock		0	lock
	6-7	Sampling Frequency	variable	0x0	others
				0x3	32kHz
				0x2	44.1kHz
				0x1	48kHz
1	0-3	Channel Mode	fixed	0x1	2ch mode
	4-7	Users Bit Management		0x0	—
2	0-2	Use of AUX	fixed	0x1	24bits Audio Data
	3-7	Source		0x00	—
3	0-7	Multi Channel	fixed	0x00	—
4	0-1	Digital Audio Reference Signal	fixed	0x0	—
	2	—		0	—
	3-6	Sampling Frequency	variable	0x0	others
				0x5	88.2kHz
7	Sampling Frequency Scan Flag	fixed	0	—	
				0x4	96kHz

• Channel Status of 2TR OUT DIGITAL 3

byte	bit	field name	fixed/variable	data	description	
0	0	Block Format	fixed	0	consumer use	
	1	Mode			audio	
	2	Copy			1	enabled
	3	Emphasis			off	
	4	—		0	—	
	5	—			—	
	6	—			—	
	7	—			—	
1	0-7	Category Code	fixed	0x49	Digital Mixer (L=1:original)	
2	0-3	Source Number	fixed	0x0	—	
	4-7	Channel Number			—	
3	0-3	Sampling Frequency	variable	0xC	32kHz	
				0x0	44.1kHz	
				0x4	48kHz	
				0x8	—	
				0x1	88.2kHz	
	4-5	Fs Accuracy	fixed	0x0	Level II	
	6	—		0	—	
7	—	—	—			
4	0	Maximum Audio Sample word length	fixed	1	24bits	
	1-3	Sample Word Length	fixed	0x5	24bits	
4	4-7	Original Sampling Frequency	variable	0x3	32kHz	
				0xF	44.1kHz	
				0xB	48kHz	
				0x0	—	
				0xE	88.2kHz	
				0xA	96kHz	

•Control I/O Characteristics

Terminal	Format	Level	Connector	
TO HOST	USB	USB 1.1	B Type USB Connector	
MIDI	IN	MIDI	DIN Connector 5P	
	THRU			
	OUT			
TIME CODE IN	SMPTE	SMPTE	0.3Vpp(Min)/10.0Vpp(Max), 10k	XLR-3-31 Type (Balanced) ¹
WORD CLOCK	IN	—	TTL/75 (ON/OFF)	BNC Connector
	OUT	—	TTL/75	
GPI	—	—	—	D-Sub Connector 25P (Female) ²
HA REMOTE	—	—	—	D-Sub Connector 9P (Male)
RS422 REMOTE	—	—	RS422	D-Sub Connector 9P (Female)
KEYBOARD	PS/2	—	—	DIN Connector 6P
MOUSE				
LAMP 1,2,3	—	—	2.5V - 11.5V	XLR-4-31 Type ²
MEMORY CARD	—	—	—	PCMCIA (Compact Flash)

*1. XLR-3-31 type connectors are balanced. (1/Sleeve=GND, 2/Tip=HOT, 3/Ring=COLD)

*2. 4pin=HOT, 3pin=COLD, Lamp rating 5 W, Voltage control by variable volume

*3. Inputs: 4 channels, Outputs: 12 channels

Input Pin: AD Converter (7bit, 128steps, Voltage Detection Range: 0-5V, Maximum Rating: 5V)

Output Pin: Open Collector (Vmax=12V, Imax/pin=75 mA, GPO1-8: Total Imax=300 mA, GPO9-12: Total Imax=300 mA)

Power Pin: Power Supply (Vp=5V, Imax/2 pin=500 mA)

•SLOT 1-4 Characteristics

Card Name	Function	Input	Output	The Number Of Usable Cards
MY8-AT	ADAT	8 IN	8 OUT	4
MY8-TD	TASCAM			
MY8-AE	AES/EBU			
MY4-AD	ANALOG IN	4 IN	—	
MY8-AD		8 IN	—	
MY4-DA	ANALOG OUT	—	4 OUT	
MY8-AD24	ANALOG IN	8 IN	—	
MY8-AD96				
MY8-DA96	ANALOG OUT	—	8 OUT	
MY8-AE96S	AES/EBU	8 IN	8 OUT	
MY8-AE96				
MY16-AT	ADAT	16 IN	16 OUT	
MY16-AE	AES/EBU			
MY16-TD	TASCAM			
MY16-C	CobraNet™			

3. Electrical Characteristics

All faders are nominal when measured. Output impedance of signal generator: 150ohms

- **Frequency Responses** $F_s=44.1\text{ kHz}$ or 48 kHz @ $20\text{ Hz}-20\text{ kHz}$, referenced to the nominal output level @ 1 kHz
 $F_s=88.2\text{ kHz}$ or 96 kHz @ $20\text{ Hz}-40\text{ kHz}$, referenced to the nominal output level @ 1 kHz

Input	Output	RL	Conditions	Min.	Typ.	Max.	Unit
INPUT 1-48	STEREO A,B	600	PM5D: GAIN: Max., PAD: Off PM5D-RH: GAIN: Max.	-1.5	0.0	0.5	dB
	MIX OUT						
	MATRIX OUT						
	MONITOR OUT						
	CUE OUT						
	PHONES	8		-3.0			
2TR IN ANALOG 1,2	STEREO A,B	600		-1.5			
	MONITOR OUT						

- **Gain Error** @ 1 kHz

Input	Output	RL	Conditions	Min.	Typ.	Max.	Unit
INPUT 1-48	STEREO A,B	600	PM5D: Input Level : -60 dBu, GAIN: Max., PAD: Off PM5D-RH: Input Level : -62 dBu, GAIN: Max.	2.0	4.0	8.0	dBu
			PM5D: Input Level : +10 dBu, GAIN: Min., PAD: On PM5D-RH: Input Level : +10 dBu, GAIN: Min.				
2TR IN ANALOG 1,2	STEREO A,B	600	Input Level: +4 dBu	2.0	4.0	6.0	
Internal OSC	STEREO A,B	600	Full Scale Output	23.5	24.0	24.5	dBu
	MIX OUT						
	MATRIX OUT						
	MONITOR OUT						
		CUE OUT		Full Scale Output, MONITOR Level Control: Max.			
	PHONES	8	-30 dBFs, PHONES Level Control: Max.	-0.5	0	0.5	

- **Total Harmonic Distortion** $F_s=44.1\text{ kHz}$ or 48 kHz

Input	Output	RL	Conditions	Min.	Typ.	Max.	Unit
INPUT 1-48	STEREO A,B	600	PM5D: +4 dBu @20 Hz-20 kHz, GAIN: Max., PAD: Off PM5D-RH: +4 dBu @20 Hz-20 kHz, GAIN: Max.			0.1	%
			PM5D: +4 dBu @20 Hz-20 kHz, GAIN: Min., PAD: On PM5D-RH: +4 dBu @20 Hz-20 kHz, GAIN: Min.				
2TR IN ANALOG 1,2	STEREO A,B	600	+4 dBu @20 Hz-20 kHz			0.05	
Internal OSC	STEREO A,B	600	Full Scale Output @1 kHz			0.02	%
	MIX OUT						
	MATRIX OUT						
	MONITOR OUT						
		CUE OUT		Full Scale Output @1 kHz, MONITOR Level Control : Max.			
	PHONES	8	Full Scale Output @1kHz, PHONES Level Control: Max.			0.2	

* Total Harmonic Distortion is measured with a 18 dB/octave filter @80 kHz

- **Total Harmonic Distortion** $F_s=88.2\text{ kHz}$ or 96 kHz

Input	Output	RL	Conditions	Min.	Typ.	Max.	Unit
INPUT 1-48	STEREO A,B	600	PM5D: +4 dBu @20 Hz-40 kHz, GAIN: Max., PAD: Off PM5D-RH: +4 dBu @20 Hz-40 kHz, GAIN: Max.			0.1	%
			PM5D: +4 dBu @20 Hz-40 kHz, GAIN: Min., PAD: On PM5D-RH: +4 dBu @20 Hz-40 kHz, GAIN: Min.			0.12	
						0.05	
2TR IN ANALOG 1,2	STEREO A,B	600	+4 dBu @20 Hz-40 kHz			0.05	
Internal OSC	STEREO A,B	600	Full Scale Output @1 kHz			0.02	%
	MIX OUT						
	MATRIX OUT						
	MONITOR OUT						
		CUE OUT		Full Scale Output @1 kHz, MONITOR Level Control : Max.			
	PHONES	8	Full Scale Output @1kHz, PHONES Level Control: Max.			0.2	

* Total Harmonic Distortion is measured with a 18 dB/octave filter @80 kHz

•Hum & Noise

EIN= Equivalent Input Noise

Input	Output	RL	Conditions	Min.	Typ.	Max.	Unit
INPUT 1-48	STEREO A,B	600	Master fader at nominal level and one INPUT fader at nominal level. PM5D: $R_s=150\Omega$, GAIN: Max., PAD: Off PM5D-RH: $R_s=150\Omega$, GAIN: Max.		-128 EIN		dBu
			Master fader at nominal level and one INPUT fader at nominal level. PM5D: $R_s=150\Omega$, GAIN: Min., PAD: On PM5D-RH: $R_s=150\Omega$, GAIN: Min.		-81	-76	
AI INPUT			Master fader at nominal level and all INPUT1-48 faders at nominal level. PM5D: $R_s=150\Omega$, GAIN: Min., PAD: On PM5D-RH: $R_s=150\Omega$, GAIN: Min.			-64	
2TR IN ANALOG 1,2	STEREO A,B	600	Master fader at nominal level. $R_s=150\Omega$		-81	-76	
—	STEREO A,B	600	Residual Output Noise, ST Master Off				dB
	MIX OUT		Residual Output Noise, MIX Master Off				
	MATRIX OUT		Residual Output Noise, MATRIX Master Off				
	MONITOR OUT		Residual Output Noise, MONITOR Level Control Min.				
	CUE OUT		Residual Output Noise, CUE Level Control Min.				
	PHONES	8	Residual Output Noise, PHONES Level Control Min.				

* Hum & Noise is measured with a 6 dB/octave filter @ 12.7 kHz; equivalent to a 20 kHz filter with infinite dB/octave attenuation.

•Dynamic Range

Input	Output	RL	Conditions	Min.	Typ.	Max.	Unit
INPUT 1-48	STEREO A,B	600	PM5D: AD + DA, GAIN: Min., PAD: On $F_s=44.1/48\text{ kHz}$		108		dB
			PM5D-RH: AD + DA, GAIN: Min. $F_s=88.2/96\text{ kHz}$		106		
—	STEREO A,B	600	DA Converter:		110		dB
	MIX OUT						
	MATRIX OUT						
	MONITOR OUT						
	CUE OUT						

* Dynamic range is measured with a 6 dB/octave filter @12.7 kHz; equivalent to a 20 kHz filter with infinite dB/octave attenuation.

•Input Indicator Level

Input	Output	Condition	Min.	Typ.	Max.	Unit
INPUT 1-48	INSERT OUT	PEAK Red LED: ON	19	21	23	dBu
		SIGNAL Green LED: ON	-12	-10	-8	
ST IN 1-4		PEAK Red LED: ON	19	21	23	dBu
		SIGNAL Green LED: ON	-12	-10	-8	

•Sampling Frequency

Parameter	Conditions	Min.	Typ.	Max.	Unit	
External Clock	Frequency Range	Normal Rate	39.69		50.00	kHz
		Double Rate	79.39		101.76	
Internal Clock	Frequency	Word Clock : Int 44.1kHz		44.1		kHz
		Word Clock : Int 48kHz		48		
		Word Clock : Int 88.2kHz		88.2		
		Word Clock : Int 96kHz		96		
	Accuracy	Word Clock : Int 44.1kHz			50	ppm
		Word Clock : Int 48kHz				
		Word Clock : Int 96kHz				
	Jitter	Word Clock : Int 44.1kHz			5	ns
Word Clock : Int 48kHz						
Word Clock : Int 88.2kHz						
Word Clock : Int 96kHz						

4. Other Functions

• Libraries

Name	Number	Total
Scene Memory	Preset 1 + User 500	501
Input Patch Library	Preset 1 + User 99	100
Output Patch Library	Preset 1 + User 99	100
Input Channel Library	Preset 1 + User 199	200
Output Channel Library	Preset 1 + User 199	200
Input EQ Library	Preset 40 + User 159	199
Output EQ Library	Preset 3 + User 196	199
GATE Library	Preset 4 + User 195	199
COMP Library	Preset 36 + User 163	199
Effect Library	Preset 54 + User 145	199
GEQ Library	Preset 1 + User 199	200
HA Library	Preset 1 + User 199	200

• Input Function

Function	Parameter
Phase	Normal/Reverse
MS Decode	On, S-Gain
Attenuator	-96 to +24 dB
HPF	Slope= 12 dB/Oct Frequency= 20 Hz to 800 Hz
4Band Equalizer	Frequency= 20 Hz to 20 kHz Gain= -18 dB to +18 dB Q= 0.10 to 10.0 Low Shelving (Low Band) High Shelving, LPF (High Band) Type I/Type II
Insert	Insert Point: Pre EQ/Post EQ/Pre Delay/Post Fader
Direct Out	Direct Out Point: Pre HPF/Pre EQ/Pre Fader/Post On
Noise Gate	Type: Gate/Ducking Threshold= -54 dB to 0 dB Attack= 0 msec to 120 msec Hold= 0.02 msec to 1.96 sec Decay= 5 msec to 42.3 sec Range= -70 dB to 0 dB Key In: Self Pre EQ/Self Post EQ/Mix21-24/ Ch1-ST/4R (8ch block) Key In Filter: HPF/LPF/BPF
Compressor	Type: Comp/Expander/Compander Hi/ Compander S Threshold= -54 dB to 0 dB Ratio= 1:1 to ∞ :1 Attack= 0 msec to 120 msec Release= 5 msec to 42.3 sec Gain= 0 dB to +18 dB Knee= Hard to 5 (soft)
Input Delay	Time= 0.0 msec to 1000 msec
Fader	Level: 1024 steps, °, -138 dB to +10 dB
On	On/Off
DCA Group	8 Groups
Mute Group	8 Groups
Mix Send	24 sends Fix/Variable can be set each two mixes Mix Send Point: Pre EQ/Pre Fader/Post On/Post TO ST Level: 1024 steps, °, -138 dB to +10 dB
LCR Pan	CSR= 0% to 100%
Surround Pan	3-1, 5-1, 6-1 panning support

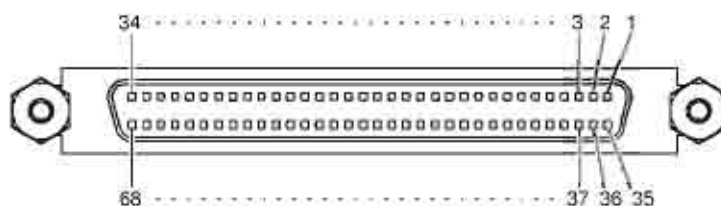
• Output Function

Function	Parameter
8Band Equalizer (Matrix: 4band)	Frequency= 20 Hz to 20 kHz Gain= -18 dB to +18 dB Q= 0.10 to 10.0 Low Shelving (Low Band) High Shelving, LPF (High Band) Type I/Type II
Insert	Insert Point: Pre EQ/Post EQ/Pre Fader/Post On
Compressor	Type: Comp/Expander/Compander Hi/ Compander S Threshold= -54 dB to 0 dB Ratio= 1:1 to ∞ :1 Attack= 0 msec to 120 msec Release= 5 msec to 42.3 sec Gain= 0 dB to +18 dB Knee= Hard to 5 (soft)
Input Delay	Time = 0.0 msec to 1000 msec
Fader	Level: 1024 steps, °, -138 dB to +10 dB
On	On/Off
DCA Group	2 Groups
Mute Group	8 Groups
Mix to Matrix Stereo to Matrix	Matrix Send Point: Pre Fader/Post Fader/Post On Level: 1024 steps, °, -138 dB to +10 dB
Output Post All	0 dB to -9 dB

• Processor

Function	Parameter
GEQ	31 bands x 12 systems
Effects	Stereo In/Stereo Out, multi effector x 8 systems

CONNECTOR PIN ASSIGNMENTS

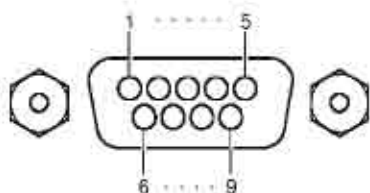


•CASCADE IN

Pin	Signal	Pin	Signal
1	GND	35	GND
2	Input 1-2(+)	36	Input 1-2(-)
3	Input 3-4(+)	37	Input 3-4(-)
4	Input 5-6(+)	38	Input 5-6(-)
5	Input 7-8(+)	39	Input 7-8(-)
6	Input 9-10(+)	40	Input 9-10(-)
7	Input 11-12(+)	41	Input 11-12(-)
8	Input 13-14(+)	42	Input 13-14(-)
9	Input 15-16(+)	43	Input 15-16(-)
10	DTR In(+)	44	DTR In(-)
11	RTS In(+)	45	RTS In(-)
12	GND	46	GND
13	Word Clock In(+)	47	Word Clock In(-)
14	Word Clock Out(+)	48	Word Clock Out(-)
15	Control In(+)	49	Control In(-)
16	Control Out(+)	50	Control Out(-)
17	GND	51	ID6 In
18	GND	52	ID6 Out
19	Input 17-18(+)	53	Input 17-18(-)
20	Input 19-20(+)	54	Input 19-20(-)
21	Input 21-22(+)	55	Input 21-22(-)
22	Input 23-24(+)	56	Input 23-24(-)
23	Input 25-26(+)	57	Input 25-26(-)
24	Input 27-28(+)	58	Input 27-28(-)
25	Input 29-30(+)	59	Input 29-30(-)
26	Input 31-32(+)	60	Input 31-32(-)
27	ID0 In	61	ID1 In
28	ID2 In	62	ID3 In
29	ID4 In	63	ID5 In
30	ID0 Out	64	ID1 Out
31	ID2 Out	65	ID3 Out
32	ID4 Out	66	ID5 Out
33	MSB In	67	2Ch/Line In
34	FG	68	FG

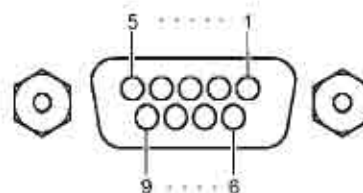
•CASCADE OUT

Pin	Signal	Pin	Signal
1	GND	35	GND
2	Output 1-2(+)	36	Output 1-2(-)
3	Output 3-4(+)	37	Output 3-4(-)
4	Output 5-6(+)	38	Output 5-6(-)
5	Output 7-8(+)	39	Output 7-8(-)
6	Output 9-10(+)	40	Output 9-10(-)
7	Output 11-12(+)	41	Output 11-12(-)
8	Output 13-14(+)	42	Output 13-14(-)
9	Output 15-16(+)	43	Output 15-16(-)
10	DTR Out(+)	44	DTR Out(-)
11	RTS In(+)	45	RTS In(-)
12	GND	46	GND
13	Word Clock Out(+)	47	Word Clock Out(-)
14	Word Clock In(+)	48	Word Clock In(-)
15	Control Out(+)	49	Control Out(-)
16	Control In(+)	50	Control In(-)
17	GND	51	ID6 Out
18	GND	52	ID6 In
19	Output 17-18(+)	53	Output 17-18(-)
20	Output 19-20(+)	54	Output 19-20(-)
21	Output 21-22(+)	55	Output 21-22(-)
22	Output 23-24(+)	56	Output 23-24(-)
23	Output 25-26(+)	57	Output 25-26(-)
24	Output 27-28(+)	58	Output 27-28(-)
25	Output 29-30(+)	59	Output 29-30(-)
26	Output 31-32(+)	60	Output 31-32(-)
27	ID0 Out	61	ID1 Out
28	ID2 Out	62	ID3 Out
29	ID4 Out	63	ID5 Out
30	ID0 In	64	ID1 In
31	ID2 In	65	ID3 In
32	ID4 In	66	ID5 In
33	MSB Out	67	2Ch/Line Out
34	FG	68	FG



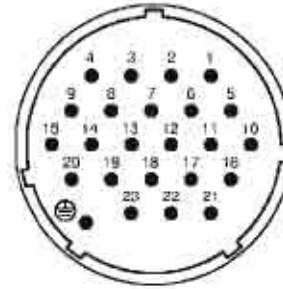
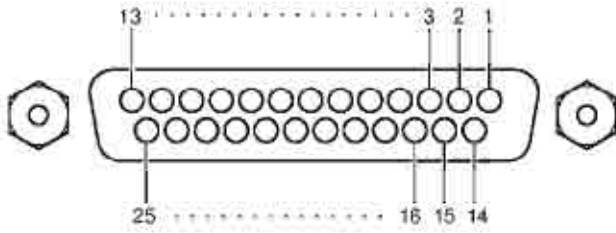
•HA REMOTE

Pin	Signal Name	Pin	Signal Name
1	GND	6	RX+
2	RX-	7	RTS
3	TX-	8	CTS
4	TX+	9	GND
5	N.C		



•RS422 REMOTE

Pin	Signal Name	Pin	Signal Name
1	GND	6	GND
2	RX-	7	RX+
3	TX+	8	TX-
4	GND	9	GND
5	N.C		



•GPI

Pin	Signal Name	Pin	Signal Name
1	GPO1	14	GPO2
2	GPO3	15	GPO4
3	GPO5	16	GPO6
4	GPO7	17	GPO8
5	GND	18	GND
6	GND	19	GND
7	GND	20	GND
8	GND	21	+5V
9	+5V	22	GPI1
10	GPI2	23	GPI3
11	GPI4	24	GPO9
12	GPO10	25	GPO11
13	GPO12		

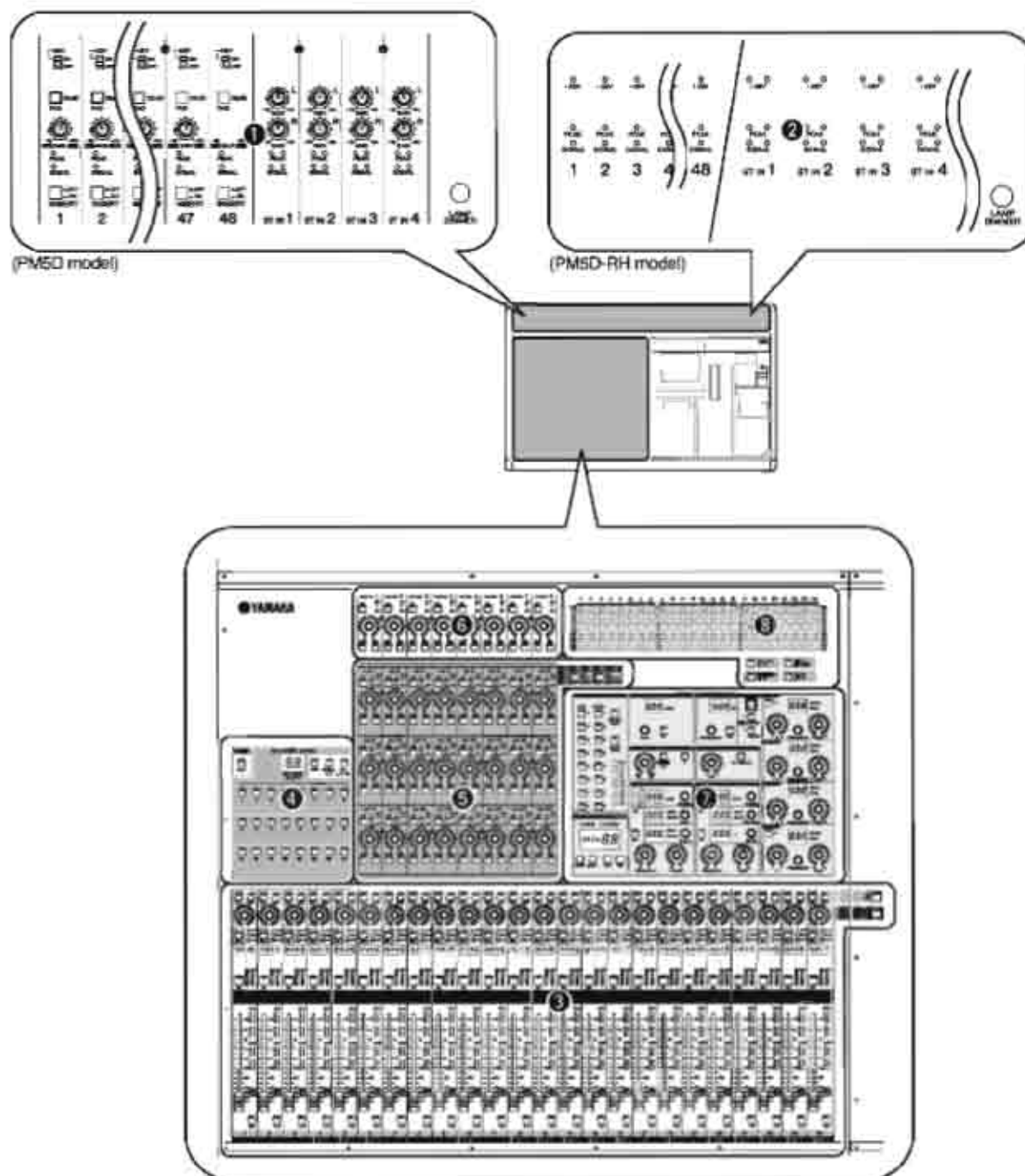
•DC POWER INPUT

Pin	Signal Name	Pin	Signal Name
1	+24V	13	GND
2	+24V	14	GND
3	+24V	15	GND
4	+24V	16	GND
5	+24V	17	GND
6	+24V	18	GND
7	+24V	19	CAUTION(+)
8	+24V	20	CAUTION(-)
9	+24V	21	DETECT A
10	GND	22	DETECT B
11	GND	23	DETECT GND
12	GND	⊕	Frame GND

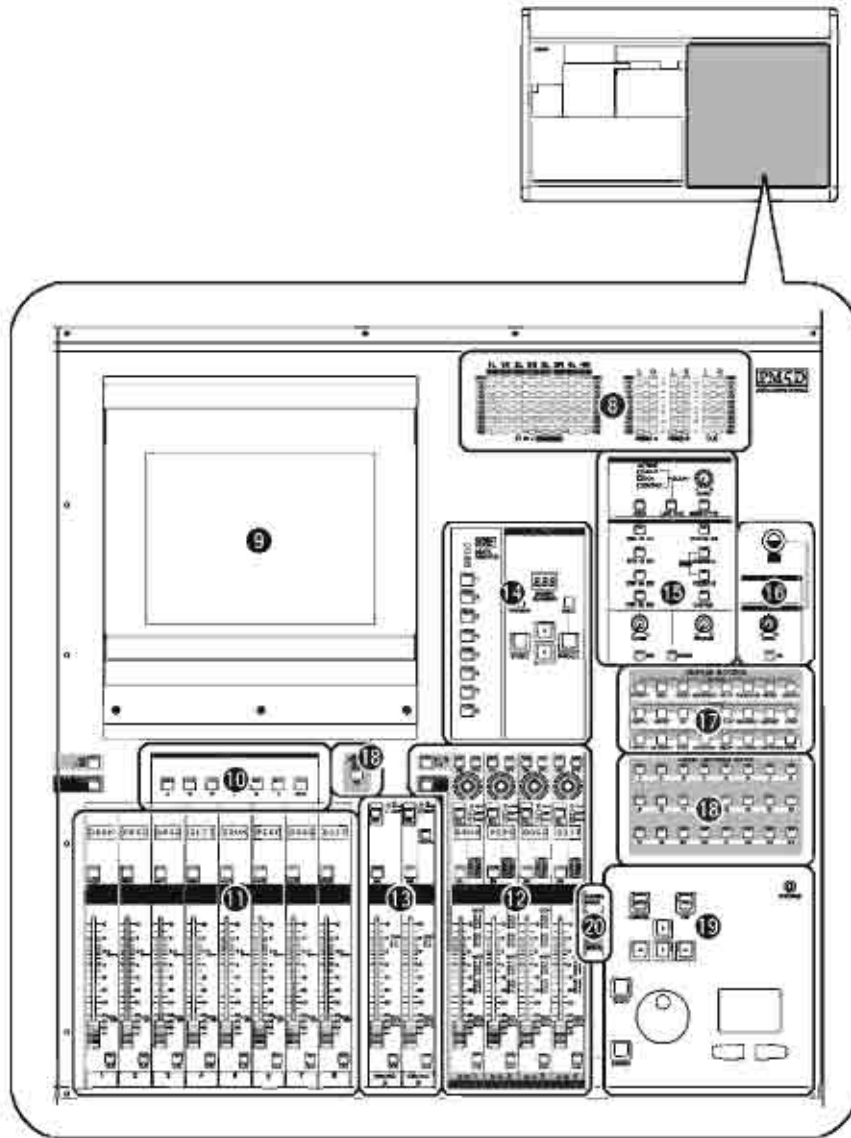
* For information on maximum permissible current, refer to the page 9.

■ PANEL LAYOUT

1. Top Panel

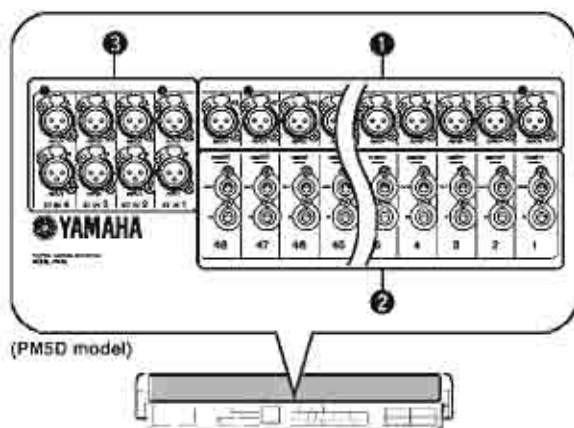


- ❶ AD IN section (PM5D model): (↔ P.19)
- ❷ AD IN section (PM5D-RH model): (↔ P.19)
- ❸ INPUT channel strip section: (↔ P.19)
- ❹ FADER FLIP/ENCODER MODE section: (↔ P.21)
- ❺ MIX section: (↔ P.20)
- ❻ MATRIX section: (↔ P.21)
- ❼ SELECTED CHANNEL section: (↔ P.21-23)
- ❽ Meter section: (↔ P.24)

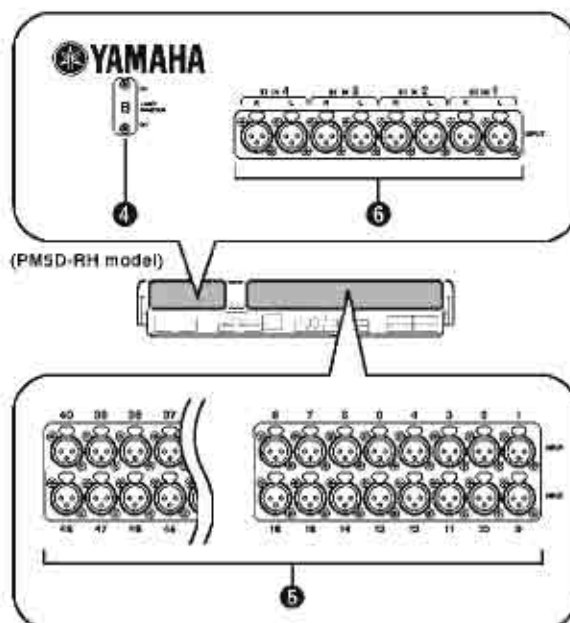


- ⑨ Display
- ⑩ FADER MODE section: (↔ P.24)
- ⑪ DCA strip section: (↔ P.24)
- ⑫ ST IN / FX RTN (Stereo in / Effect return) channel strip section: (↔ P.25)
- ⑬ STEREO strip section: (↔ P.25)
- ⑭ SCENE MEMORY section: (↔ P.26)
- ⑮ CUE / MONITOR section: (↔ P.26)
- ⑯ OSCILLATOR / TALKBACK section: (↔ P.27)
- ⑰ DISPLAY ACCESS section: (↔ P.27)
- ⑱ USER DEFINED KEYS section: (↔ P.27)
- ⑲ Data entry section: (↔ P.27)
- ⑳ ASSIGN MODE section: (↔ P.28)

2. Rear Panel

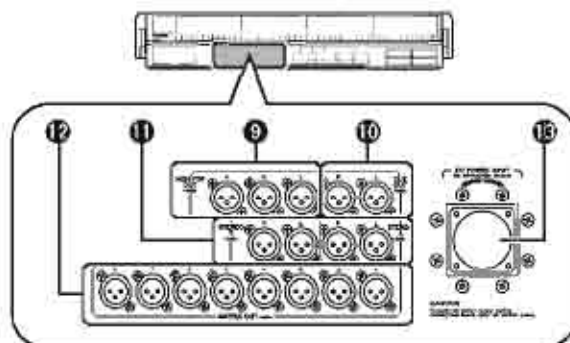
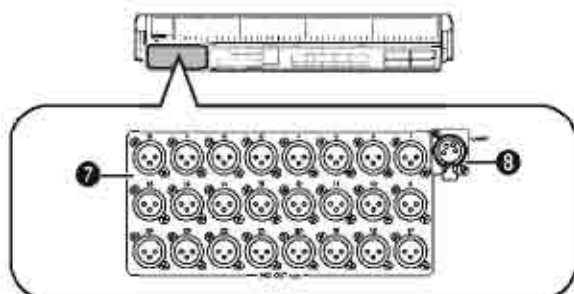


(PM5D model)

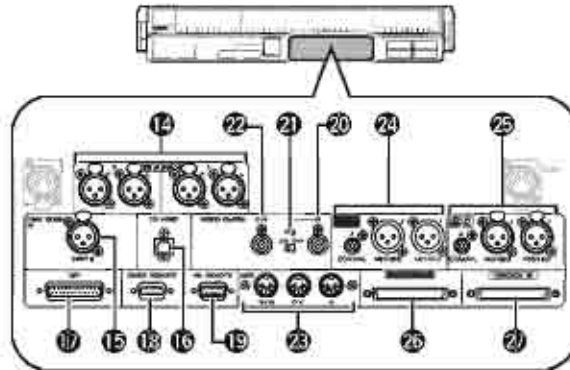


(PM5D-RH model)

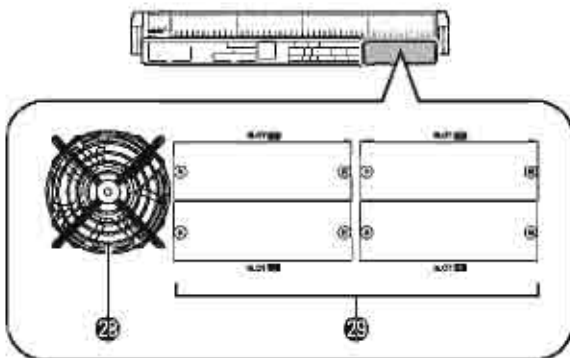
- ① INPUT jacks 1-48 (PM5D model)
- ② INSERT IN/OUT jacks 1-48 (PM5D model only)
- ③ ST IN (Stereo input) jacks 1-4 (PM5D model)
- ④ +48V MASTER switch (PM5D-RH model only)
- ⑤ INPUT jacks 1-48 (PM5D-RH model)
- ⑥ ST IN (Stereo input) jacks 1-4 (PM5D-RH model)



- ⑦ MIX OUT jacks
- ⑧ LAMP connector
- ⑨ MONITOR OUT jacks
- ⑩ STEREO OUT A/B jacks
- ⑪ MATRIX OUT jacks
- ⑫ DC POWER INPUT connector

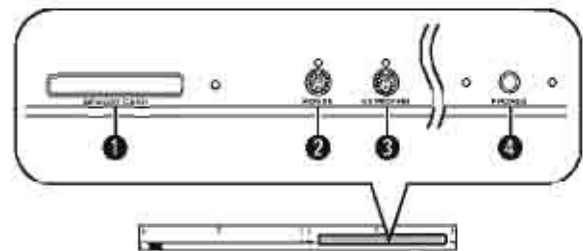


- 14 2TR IN ANALOG jacks 1/2
- 15 TIME CODE INPUT jack
- 16 TO HOST connector
- 17 GPI connector
- 18 RS422 REMOTE connector
- 19 HA REMOTE connector
- 20 WORD CLOCK IN connector
- 21 75 OHM ON/OFF switch
- 22 WORD CLOCK OUT connector
- 23 MIDI IN/THRU/OUT connectors
- 24 2TR OUT DIGITAL (2 Track out digital) jacks 1-3
- 25 2TR IN DIGITAL (2 Track in digital) jacks 1-3
- 26 CASCADE OUT connector
- 27 CASCADE IN connector



- 28 Fan grille
- 29 SLOT 1-4

3. Front Panel

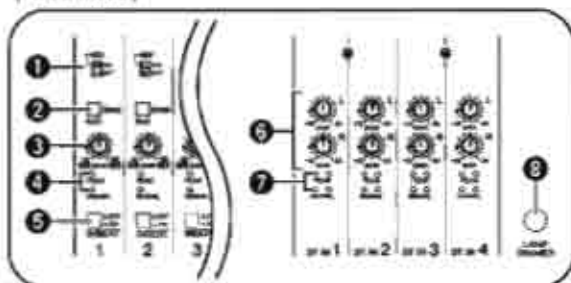


- 1 MEMORY CARD slot
- 2 MOUSE connector
- 3 KEYBOARD connector
- 4 PHONES (Headphone) jack

4. Top Panel Details

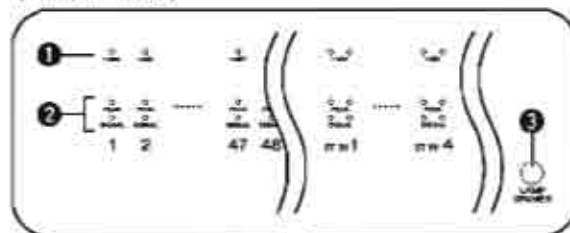
4-1 AD IN section

(PM5D model)



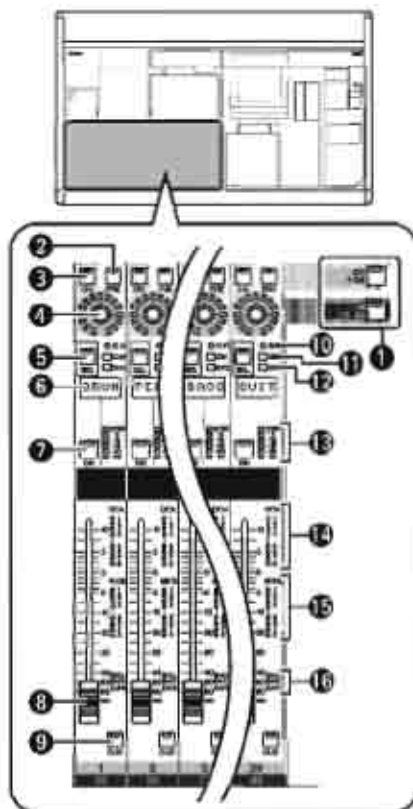
- ❶ [+48V ON/OFF] switch
- ❷ [PAD] switch
- ❸ [GAIN] knob
- ❹ [PEAK]/[SIGNAL] LED
- ❺ [INSERT ON/OFF] switch
- ❻ ST IN [GAIN] knob
- ❼ ST IN [PEAK]/ST IN [SIGNAL] LED
- ❽ [LAMP DIMMER] knob

(PM5D-RH model)



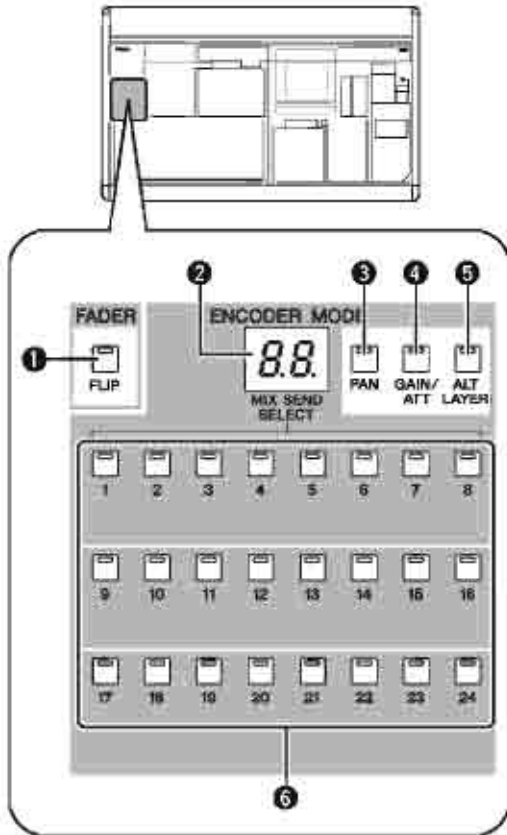
- ❶ [+48V ON/OFF] LED
- ❷ [PEAK]/[SIGNAL] LED
- ❸ [LAMP DIMMER] knob

4-2 INPUT channel strip Section



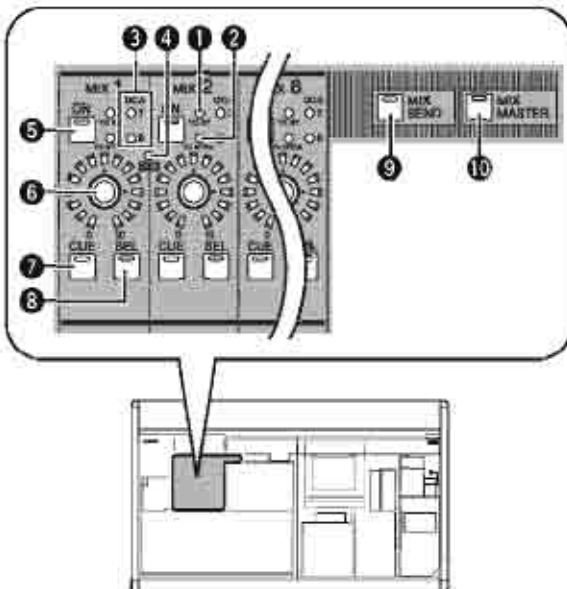
- ❶ [CH 1-24] [CH 25-48] keys
- ❷ [PRE] key
- ❸ ENCODER [ON] key
- ❹ Encoder
- ❺ [SEL] key
- ❻ Name indicator
- ❼ CH [ON] key
- ❽ Fader
- ❾ [CUE] key
- ❿ [TO ST] LED
- ⓫ [COMP] LED
- ⓬ [GATE] LED
- ⓭ Meter LEDs
- ⓮ DCA assign LEDs
- ⓯ MUTE assign LEDs
- ⓰ [RCL SAFE] / [MUTE SAFE] LEDs

4-3 FADER FLIP/ENCODER MODE Section



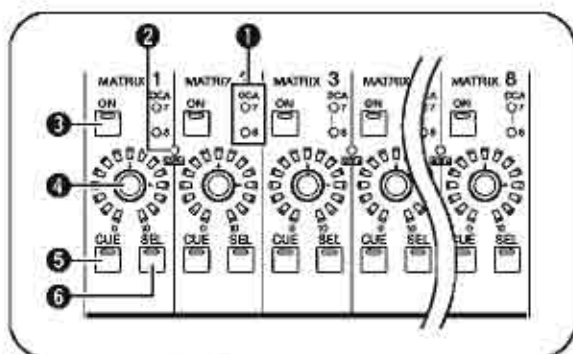
- ❶ FADER [FLIP] key
- ❷ Encoder mode indicator
- ❸ [PAN] key
- ❹ [GAIN/ATT] key
- ❺ [ALT LAYER] key
- ❻ MIX SEND SELECT [1]-[24] keys

4-4 MIX Section

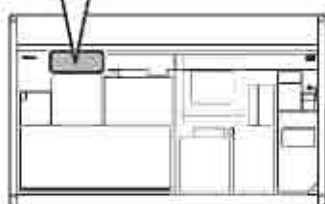


- ❶ [TO ST] LED
- ❷ [TO MTRX] LED
- ❸ DCA group LEDs
- ❹ MIX [PAIR] LED
- ❺ MIX [ON] key
- ❻ MIX encoder
- ❼ MIX [CUE] key
- ❽ MIX [SEL] key
- ❾ [MIX SEND] key
- ❿ [MIX MASTER] key

4-5 MATRIX section

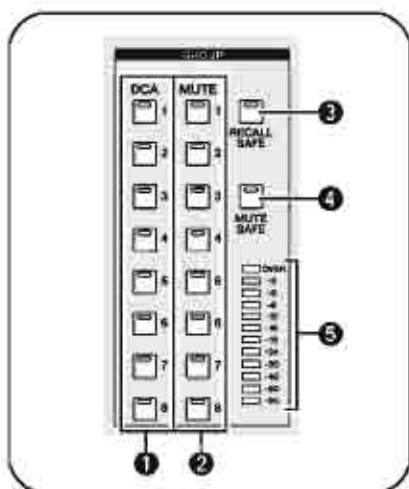


- ❶ DCA group LEDs
- ❷ MATRIX [PAIR] LED
- ❸ MATRIX [ON] key
- ❹ MATRIX encoder
- ❺ MATRIX [CUE] key
- ❻ MATRIX [SEL.] key

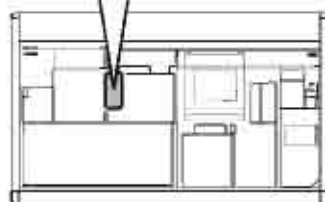


4-6 SELECTED CHANNEL section

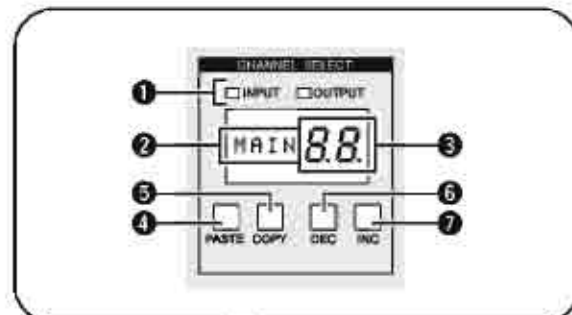
4-6-1 Group



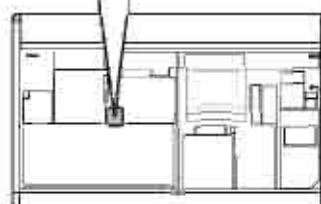
- ❶ DCA [1]-[8] keys
- ❷ MUTE [1]-[8] keys
- ❸ [RECALL SAFE] key
- ❹ [MUTE SAFE] key
- ❺ Level meter



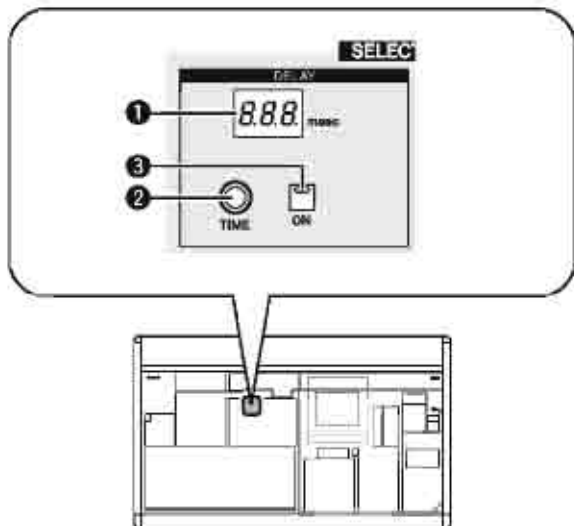
4-6-2 CHANNEL SELECT



- ❶ INPUT/OUTPUT Indicators
- ❷ Name indicator
- ❸ Number indicator
- ❹ [PASTE] key
- ❺ [COPY] key
- ❻ CH [DEC] key
- ❼ CH [INC] key

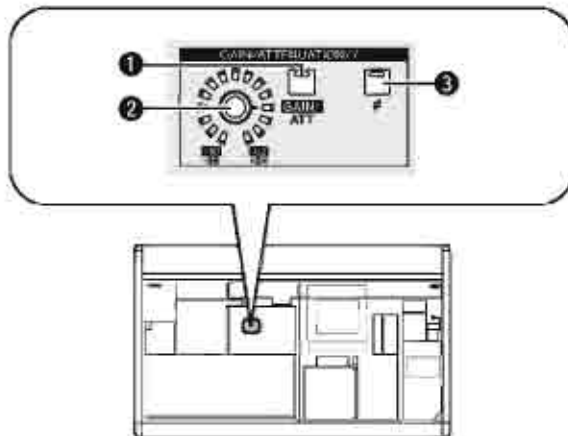


4-6-3 DELAY



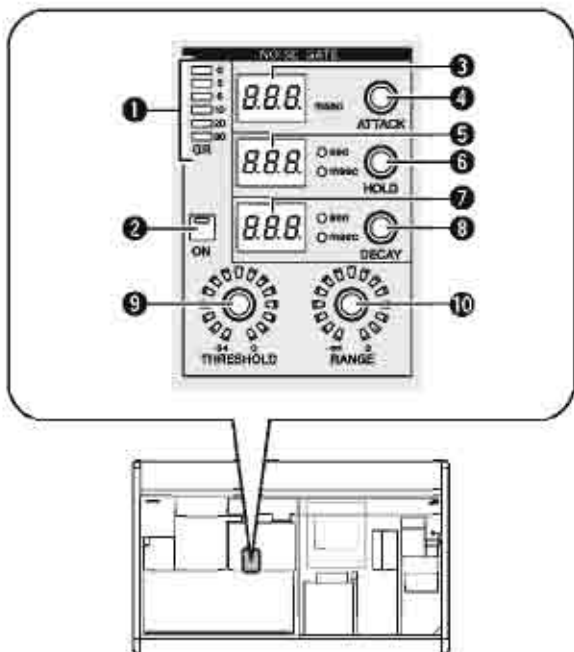
- ❶ DELAY[TIME] indicator
- ❷ DELAY[TIME] encoder
- ❸ DELAY[ON] key

4-6-4 GAIN/ATTENUATION/σ



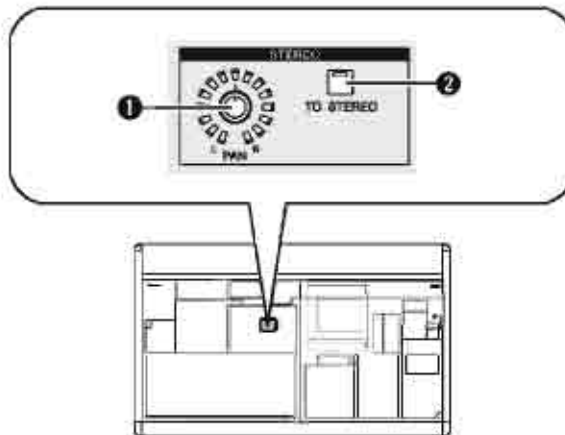
- ❶ A [GAIN/ATT] key
- ❷ [GAIN/ATT] encoder
- ❸ [σ] key

4-6-5 NOISE GATE



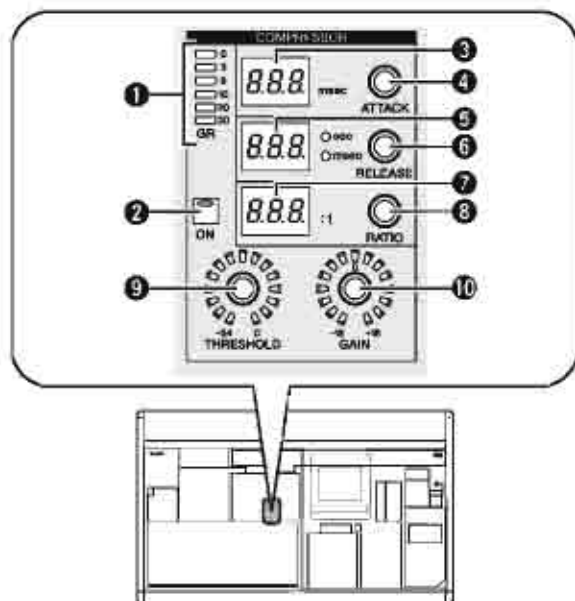
- ❶ GATE GR meter
- ❷ GATE [ON] key
- ❸ GATE [ATTACK] Indicator
- ❹ GATE [ATTACK] encoder
- ❺ GATE [HOLD] Indicator
- ❻ GATE [HOLD] encoder
- ❼ GATE [DECAY] Indicator
- ❽ GATE [DECAY] encoder
- ❾ GATE [THRESHOLD] Indicator
- ❿ GATE [RANGE] encoder

4-6-6 STEREO



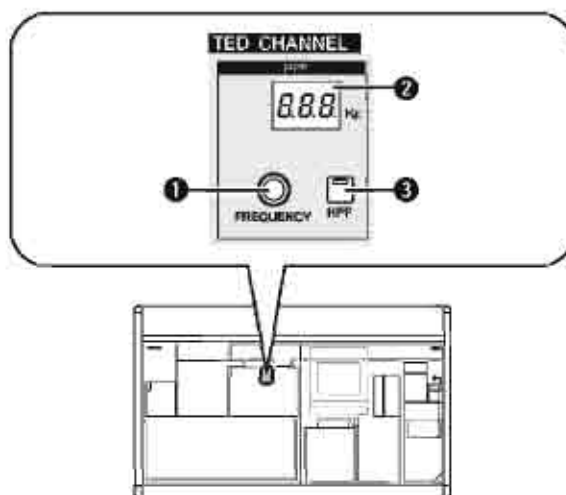
- ❶ STEREO [PAN] encoder
- ❷ [TO STEREO] key

4-6-7 COMPRESSOR



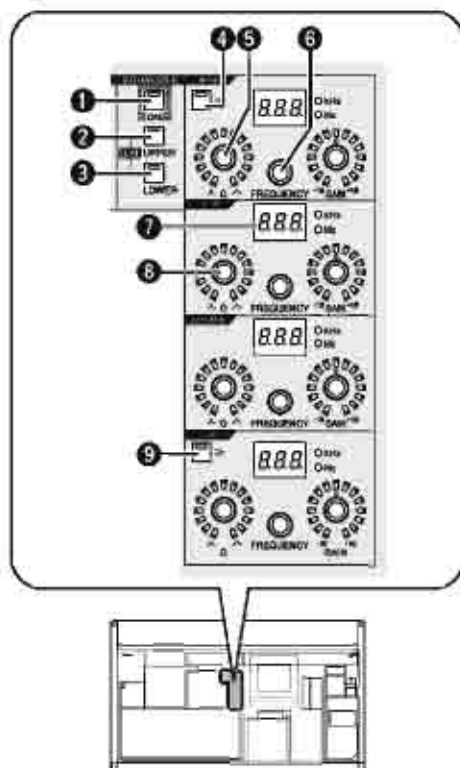
- 1 COMP GR meter
- 2 COMP [ON] key
- 3 COMP [ATTACK] indicator
- 4 COMP [ATTACK] encoder
- 5 COMP [RELEASE] indicator
- 6 COMP [RELEASE] encoder
- 7 COMP [RATIO] indicator
- 8 COMP [RATIO] encoder
- 9 COMP [THRESHOLD] encoder
- 10 COMP [GAIN] encoder

4-6-8 HPF (High Pass Filter)



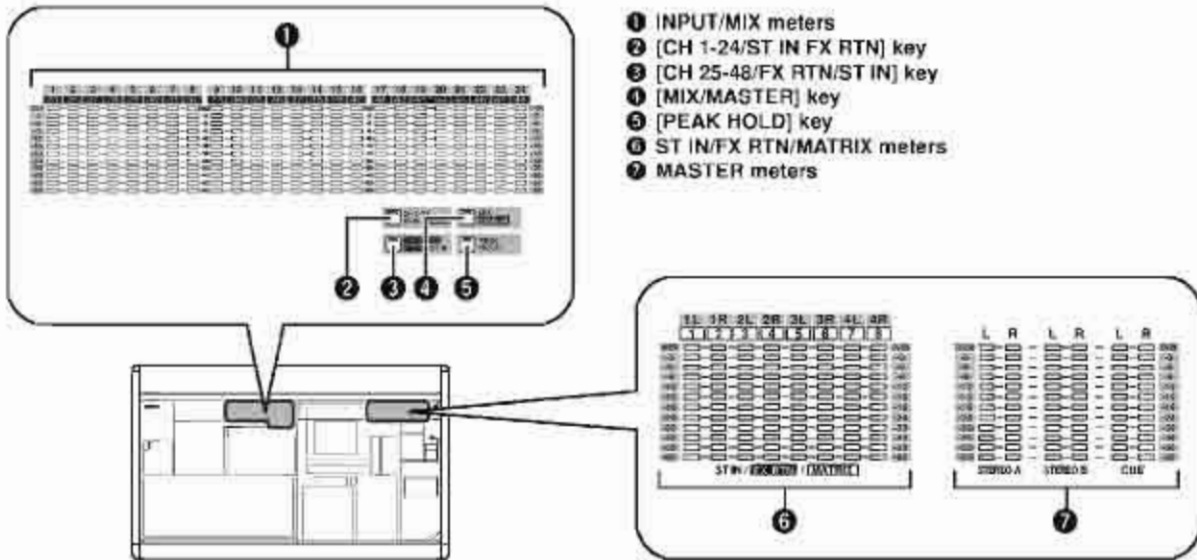
- 1 HPF [FREQUENCY] encoder
- 2 HPF [FREQUENCY] indicator
- 3 HPF [ON] key

4-6-9 EQUALIZER

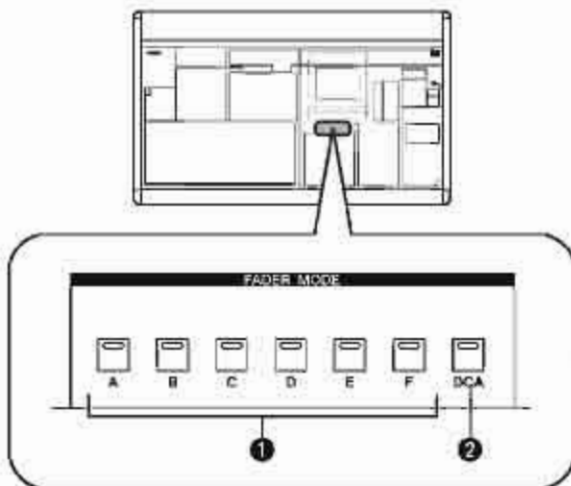


- 1 EQ [ON] key
- 2 EQ [UPPER] key
- 3 EQ [LOWER] key
- 4 EQ [-C] key
- 5 EQ [Q] encoder
- 6 EQ [FREQUENCY] encoder
- 7 EQ [FREQUENCY] indicator
- 8 EQ [GAIN] encoder
- 9 [D] key

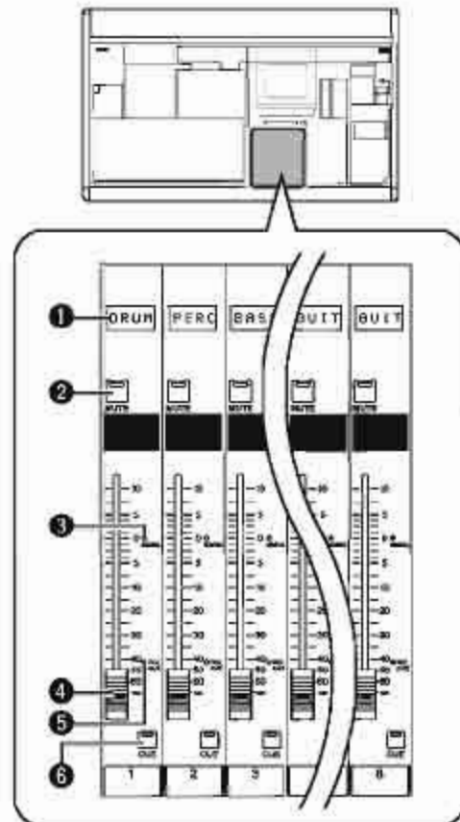
4-7 Meter section



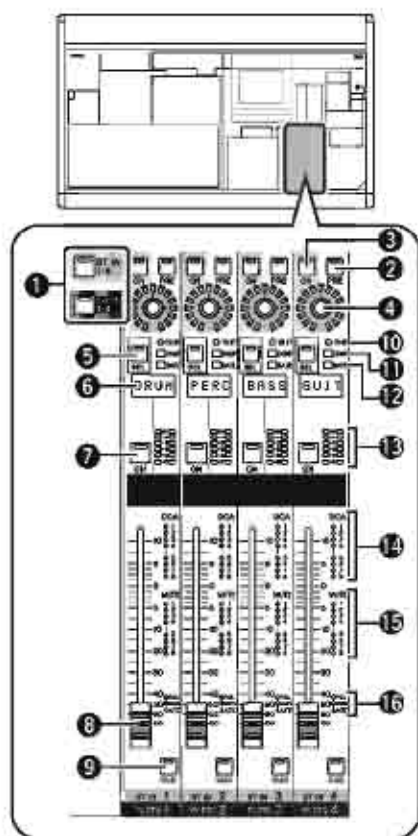
4-8 FADER MODE section



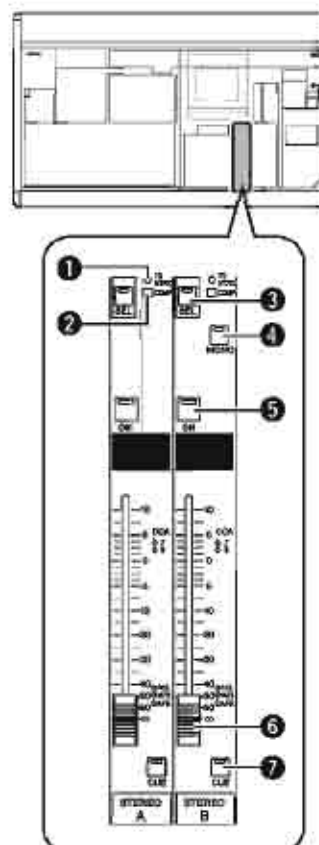
4-9 DCA strip



4-10 ST IN/FX RTN channel strip section



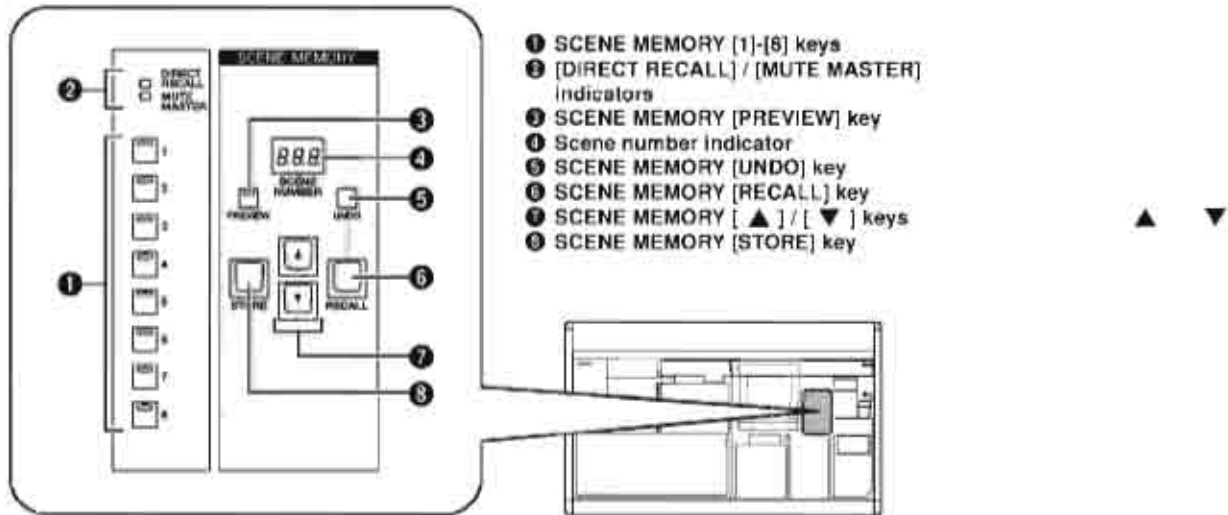
4-11 STEREO strip section



- 1 [ST IN 1-4]-[FX RTN 1-4] key
- 2 [PRE] key
- 3 ENCODER [ON] key
- 4 Encoder
- 5 [SEL] key
- 6 Name indicator
- 7 CH [ON] key
- 8 Fader
- 9 [CUE] key
- 10 [TO ST] LED
- 11 [COMP] LED
- 12 [GATE] LED
- 13 Meter LEDs
- 14 DCA assign LEDs
- 15 MUTE assign LEDs
- 16 [RCL SAFE] / [MUTE SAFE] LEDs

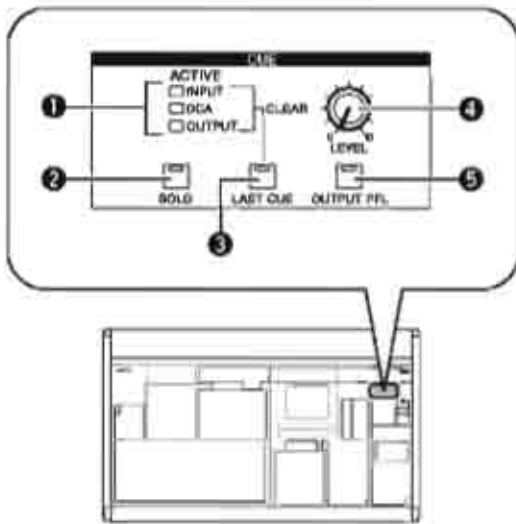
- 1 [TO MATRIX] LED
- 2 [COMP] LED
- 3 STEREO A/B [SEL] key
- 4 STEREO [MONO] key
- 5 STEREO [ON] key
- 6 STEREO fader
- 7 STEREO [CUE] key

4-12 SCENE MEMORY section



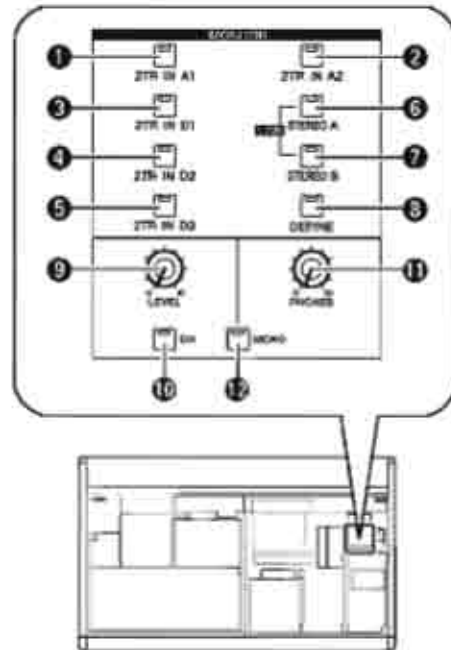
4-13 CUE/MONITOR section

4-13-1 CUE section



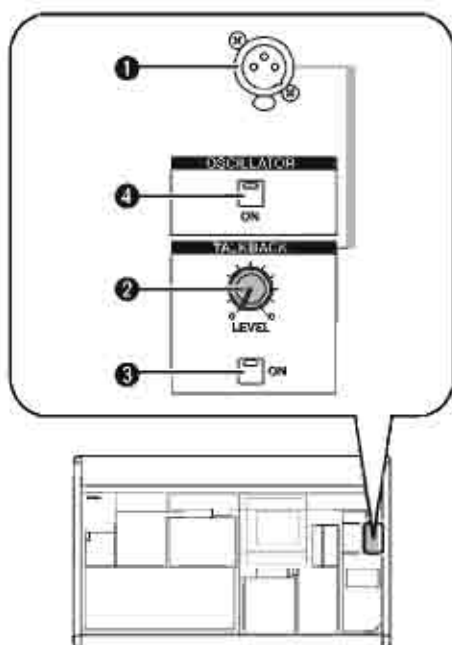
- 1** [INPUT] / [DCA] / [OUTPUT] LEDs
- 2** [SOLO] key
- 3** [LAST CUE] key
- 4** CUE [LEVEL] knob
- 5** [OUTPUT PFL] key

4-13-2 MONITOR section



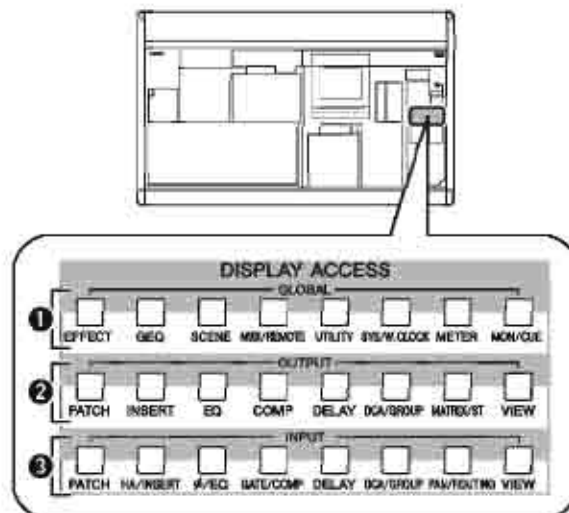
- 1** [2TR IN A1] key
- 2** [2TR IN A2] key
- 3** [2TR IN D1] key
- 4** [2TR IN D2] key
- 5** [2TR IN D3] key
- 6** [STEREO A] key
- 7** [STEREO B] key
- 8** [DEFINE] key
- 9** MONITOR [LEVEL] knob
- 10** MONITOR [ON] key
- 11** MONITOR [PHONES] knob
- 12** [MONO] key

4-14 OSCILLATOR/TALKBACK section



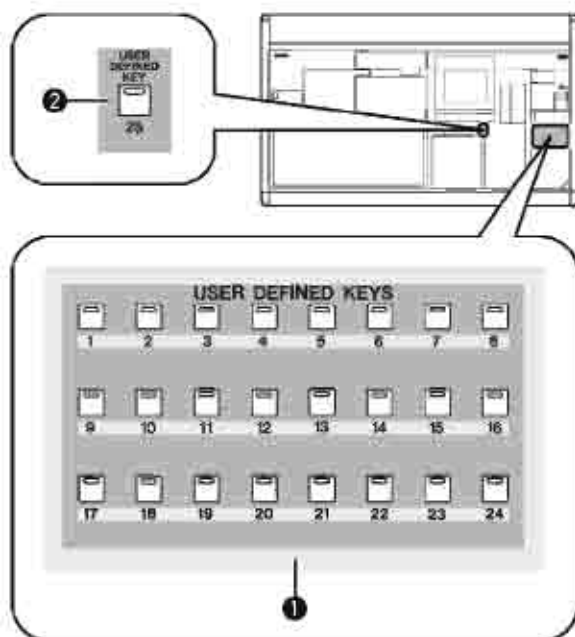
- ❶ TALKBACK jack
- ❷ TALKBACK [LEVEL] knob
- ❸ TALKBACK [ON] key
- ❹ OSCILLATOR [ON] key

4-15 DISPLAY ACCESS section



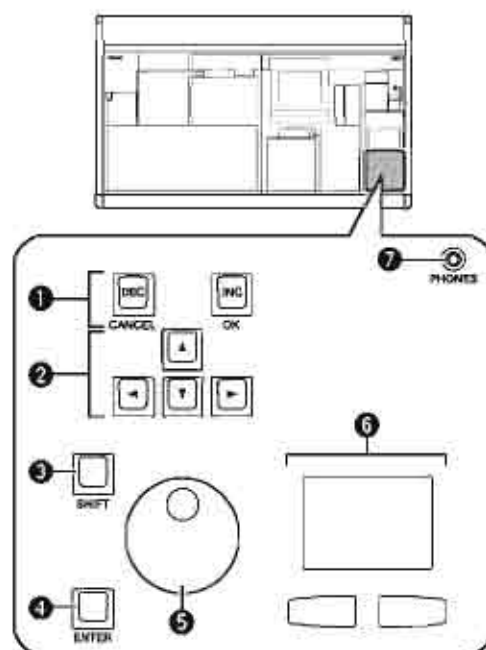
- ❶ Global functions
- ❷ Output functions
- ❸ Input functions

4-16 USER DEFINED KEYs section



- ❶ USER DEFINED [1]-[24] keys
- ❷ USER DEFINED [25] keys

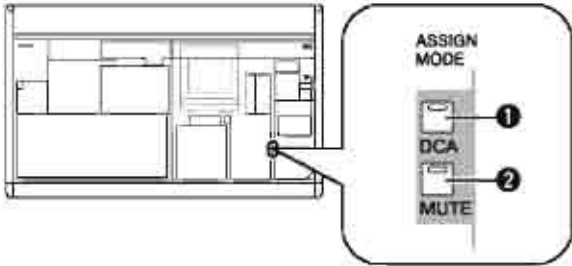
4-17 Data Entry section



- ❶ [DEC/CANCEL] / [INC/OK] keys
- ❷ CURSOR [←] / [→] / [↑] / [↓] keys
- ❸ [SHIFT] key
- ❹ [ENTER] key
- ❺ [DATA] encoder
- ❻ Track pad and left/right buttons
- ❼ PHONES (Headphone) jack



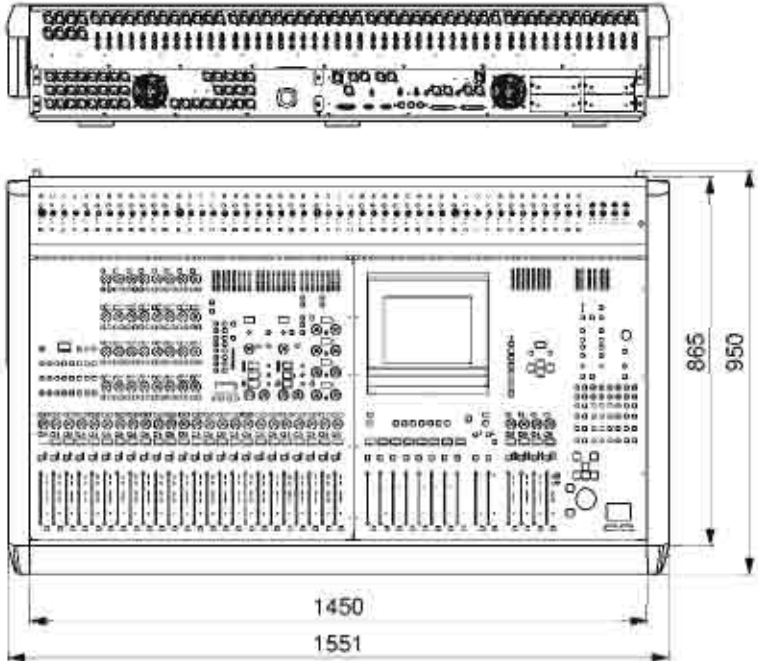
4-18 ASSIGN MODE section



- ❶ ASSIGN MODE [DCA] key
- ❷ ASSIGN MODE [MUTE] key

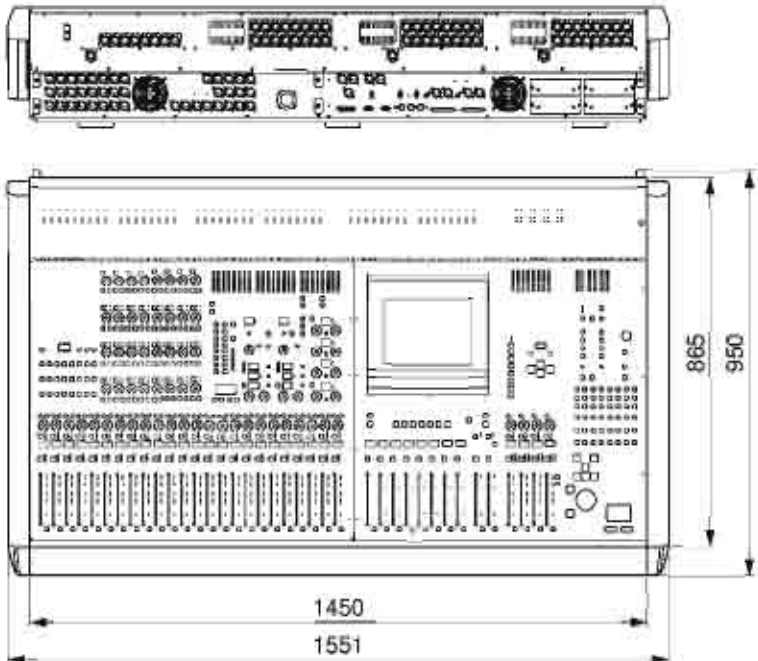
DIMENSIONS

PM5D



Units: mm

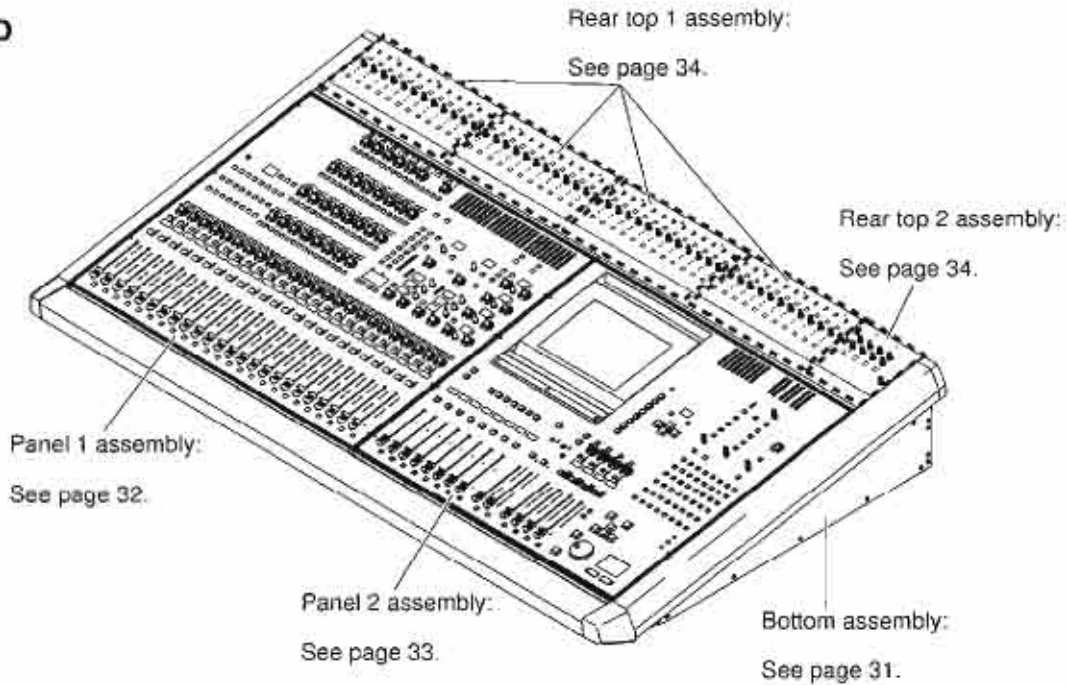
PM5D-RH



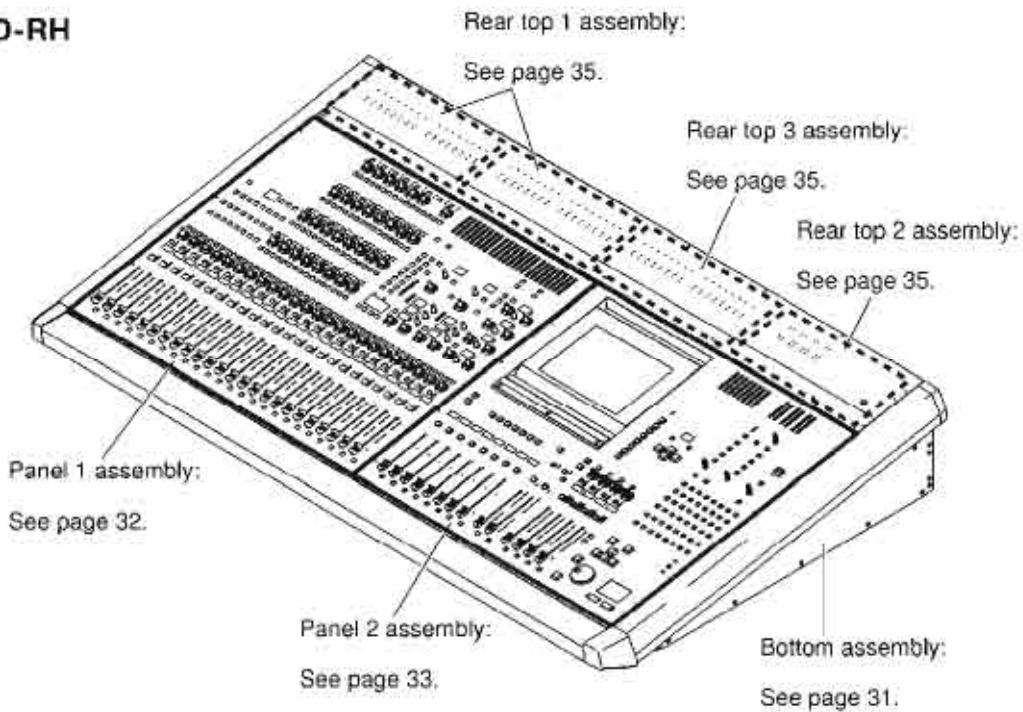
Units: mm

■ CIRCUIT BOARD LAYOUT

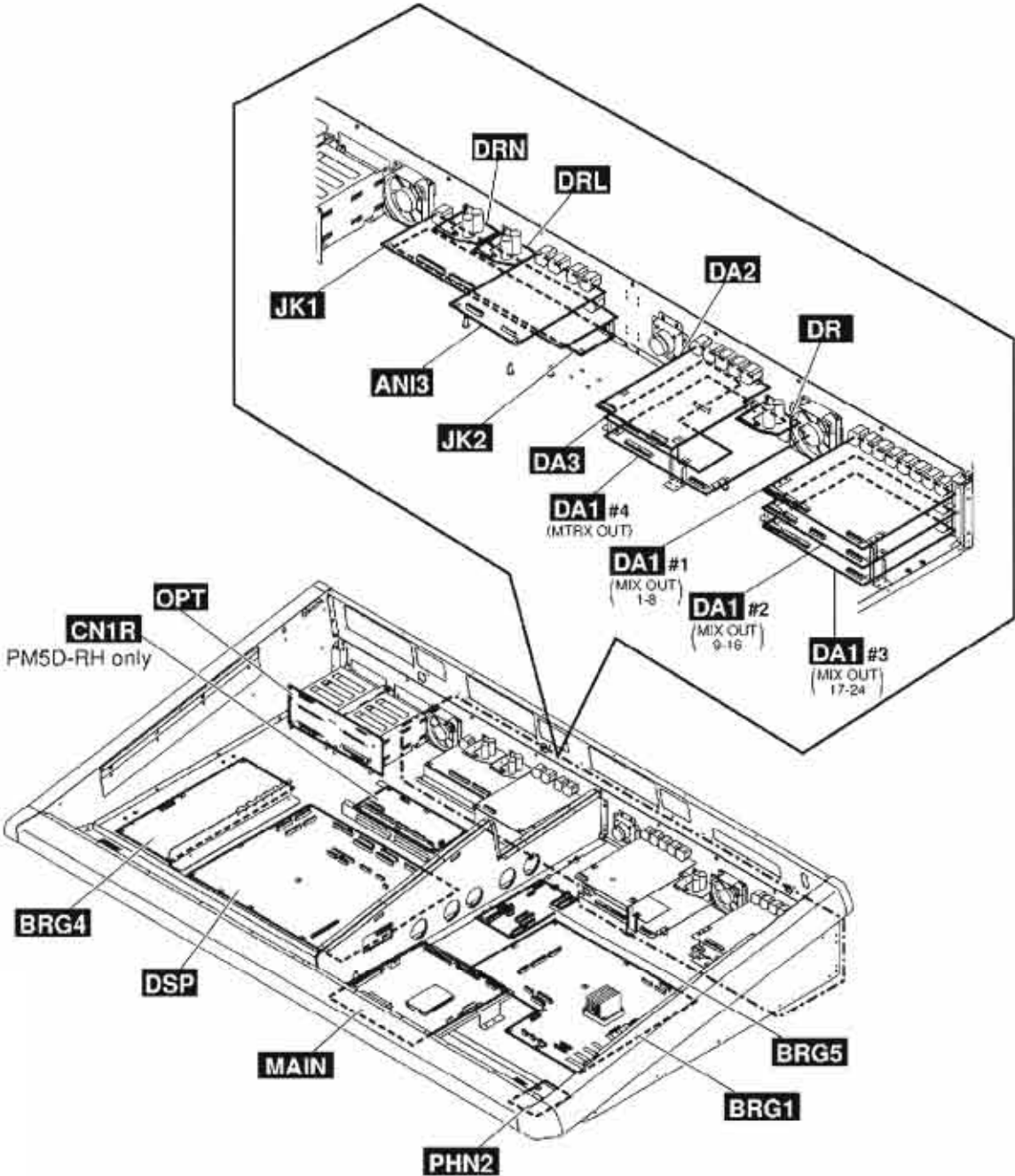
• PM5D



• PM5D-RH



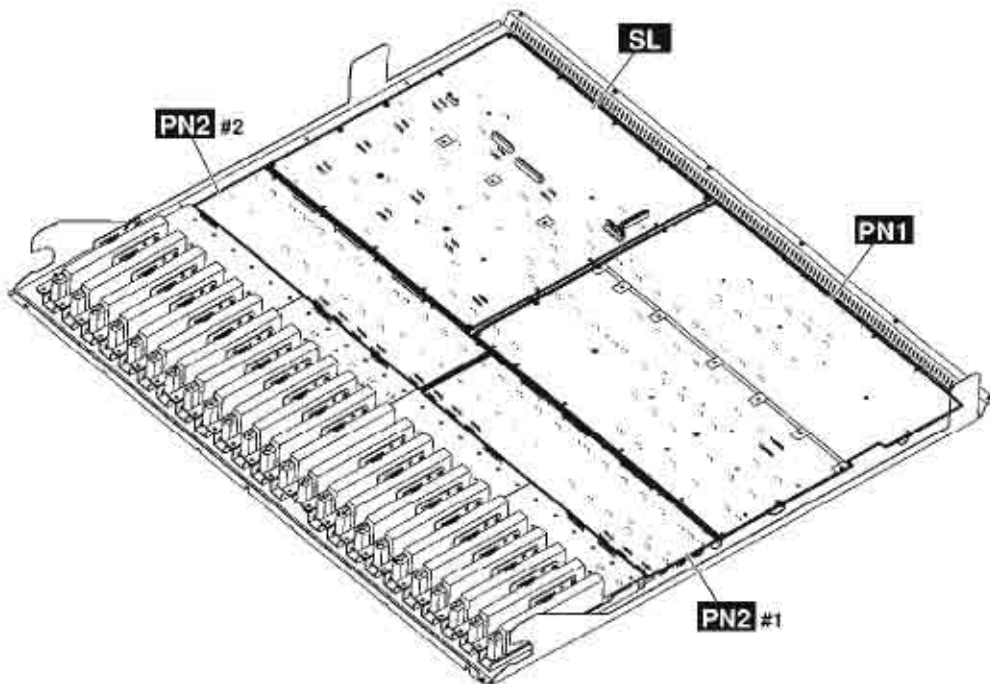
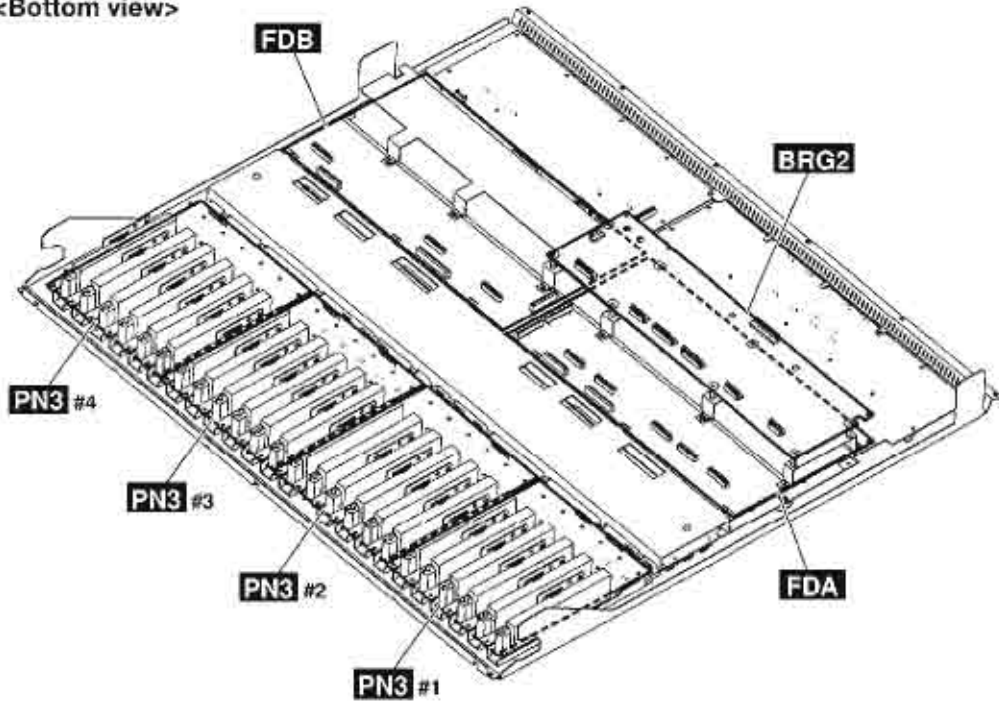
• Bottom assembly



This figure shows the PM5D-RH.

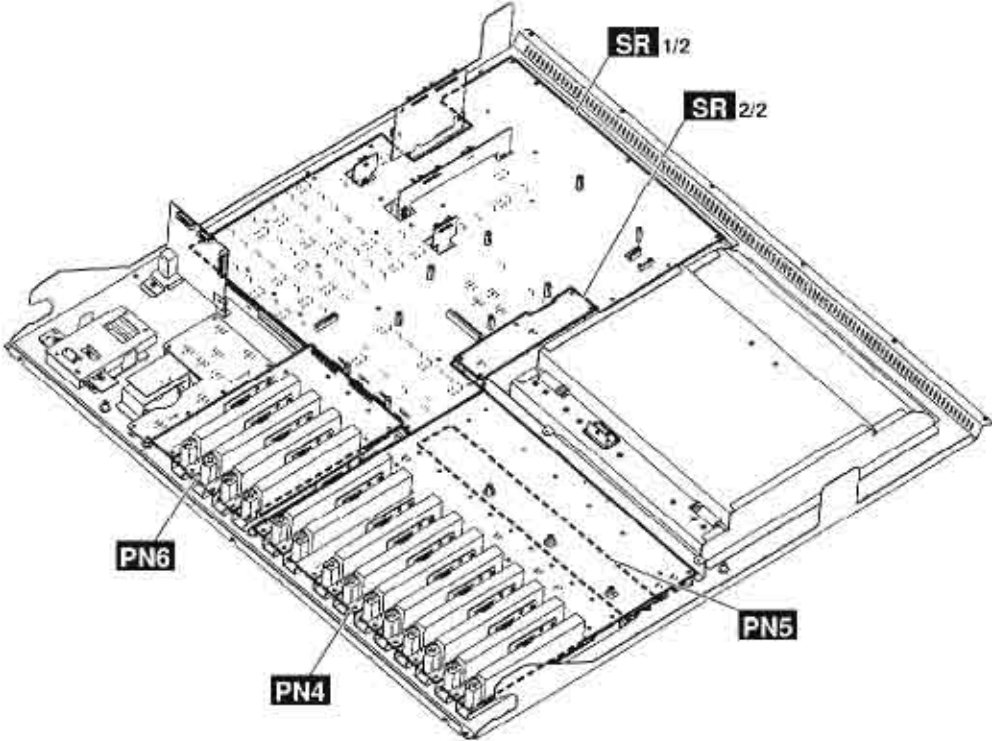
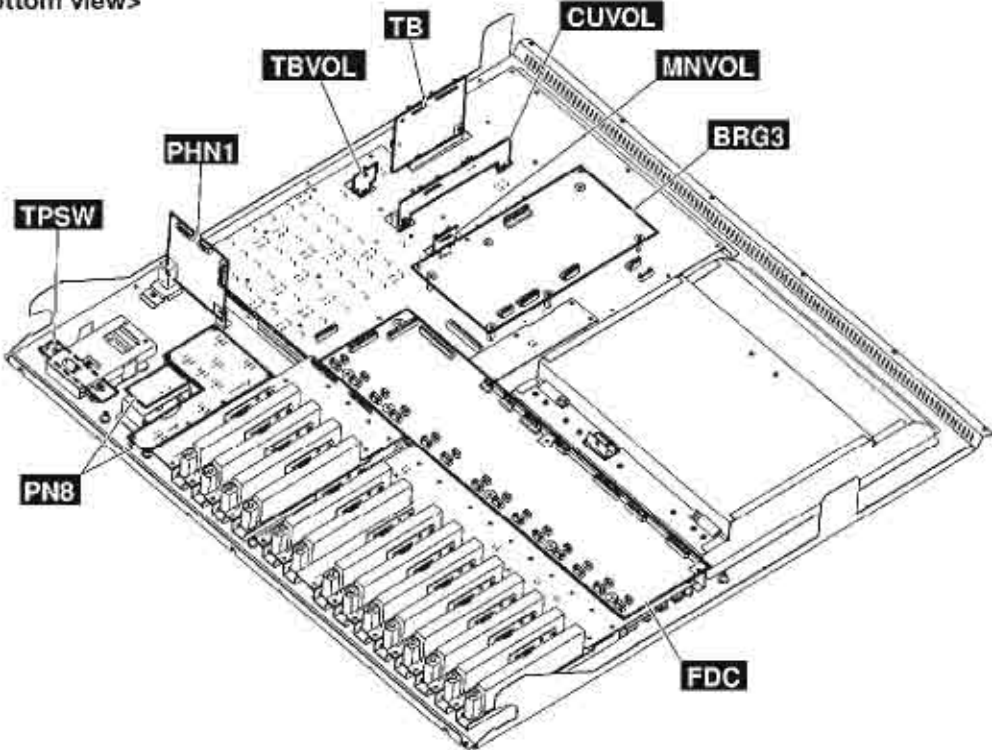
• PANEL 1 assembly

<Bottom view>

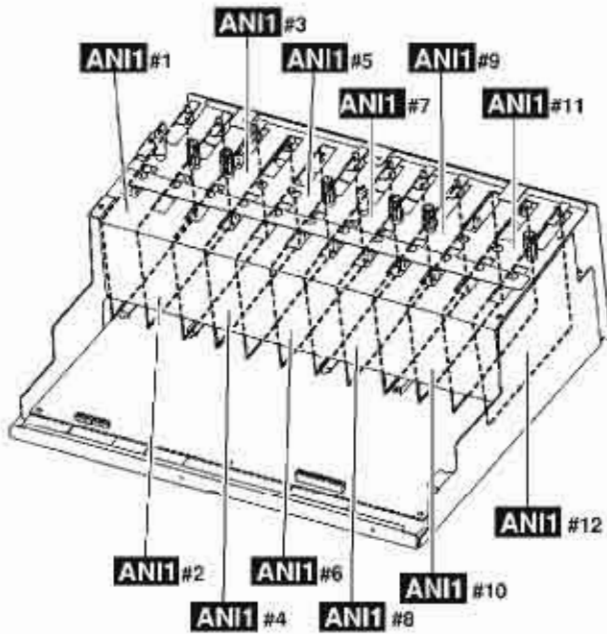


• PANEL 2 assembly

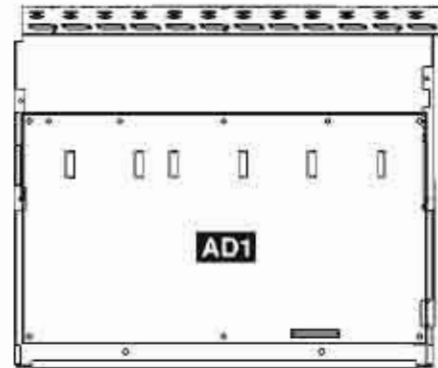
<Bottom view>



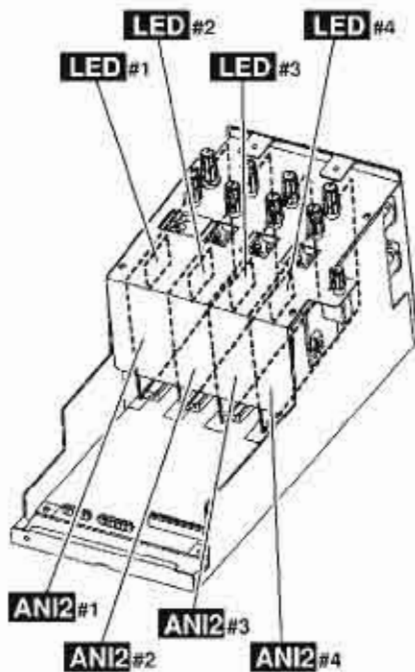
• PM5D Rear top 1 assembly



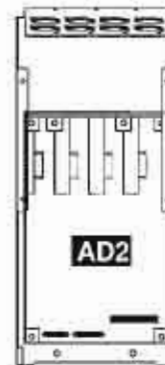
<Top view>



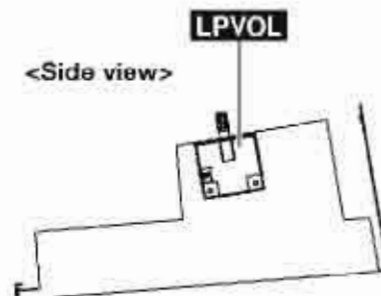
• PM5D Rear top 2 assembly



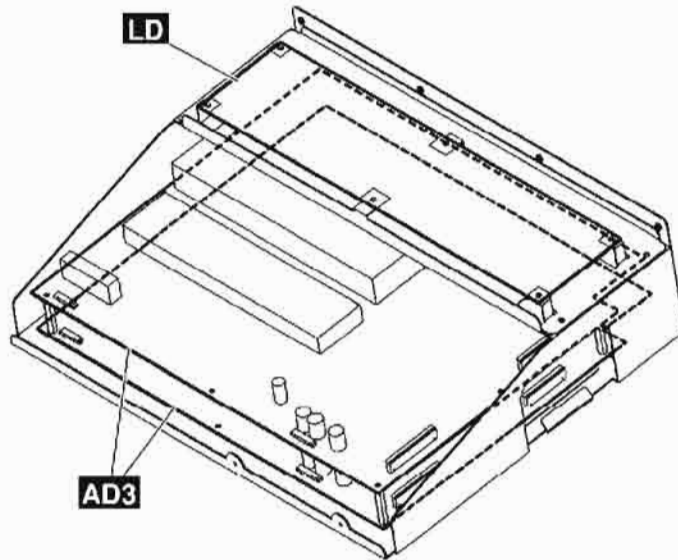
<Top view>



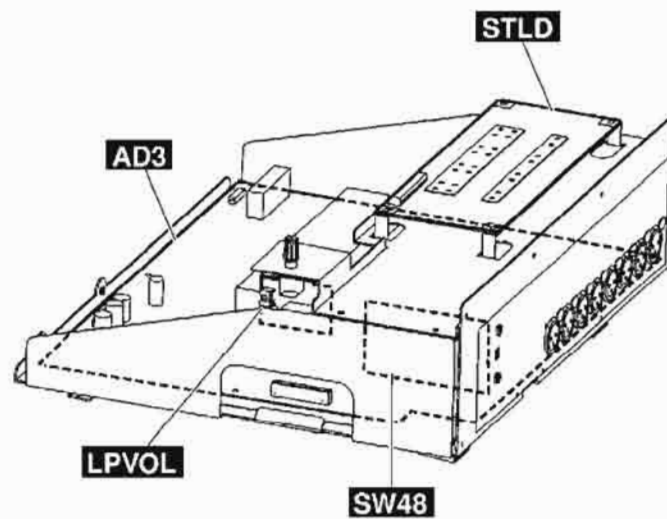
<Side view>



- PM5D-RH Rear top 1 assembly
- PM5D-RH Rear top 3 assembly



- PM5D-RH Rear top 2 assembly



■ DISASSEMBLY PROCEDURE



Note: Take care not to trap your fingers.



- * *Install the filament tape and the harness clamp in the same way as they were before removal.*
- * *When installing the flat cable, use care not to insert it with its front and back inverted.*
- * *After replacing the FDA/FDB/FDC circuit board or fader assembly, be sure to calibrate the faders. (See page 192.)*

1. Control Panel 3	37
2. Name Plate	37
3. Panel 1 Assembly, Panel 2 Assembly	38
4. PM5D: Rear Top Assembly	40
5. PM5D-RH: Rear Top Assembly R, Cannon Connector	41
6. Side Pad (L, R)	42
7. Front Pad Assembly	42
8. Corner Pad (L, R)	43
9. Rear Pad (L, R)	45
10. Rear Base Upper, Rear Base 2 Upper	47
11. Shield	47
12. Rear Panel Upper	47
13. BRG4 Circuit Board	48
14. DSP Circuit Board	48
15. BRG1 Circuit Board	48
16. MAIN Circuit Board	49
17. Replacing the Lithium Battery	49
18. PHN2 Circuit Board	51
A. Disassembly Procedure of Rear Bottom section	
A-1. Circuit Boards and Assemblies	51
B. Disassembly Procedure of Panel 1 Assembly	
B-4. Fader Assembly	56
B-5. BRG2 Circuit Board, FDA Circuit Board, FDB Circuit Board	56
B-6. SL Circuit Board, PN1 Circuit Board	58
B-7. PN2 Circuit Board	58
B-8. PN3 Circuit Board	58
C. Disassembly Procedure of Panel 2 Assembly	
C-4. LCD Assembly	60
C-5. PHN1 Circuit Board	60
C-6. TB Circuit Board	60
C-7. CUVOL Circuit Board, MNVOL Circuit Board, TBVOL Circuit Board	60
C-8. Fader Assembly	62
C-9. BRG3 Circuit Board, FDC Circuit Board	62
C-10. SR Circuit Board	63
C-11. PN4 Circuit Board, PN5 Circuit Board	64
C-12. PN6 Circuit Board	64
C-13. PN8 Circuit Board	65
C-14. TPSW Circuit Board, Glide Point	65
D. Disassembly Procedure of LCD Assembly	
D-2. DC-AC Inverter	66
D-3. LCD	66
E. Disassembly Procedure of Rear Top 1 Assembly (PM5D)	
E-4. AD1 Circuit Board, ANI1 Circuit Board	67
F. Disassembly Procedure of Rear Top 2 Assembly (PM5D)	
F-4. AD2 Circuit Board, ANI2 Circuit Board, LED Circuit Board, LPVOL Circuit Board	68
G. Disassembly Procedure of Rear Top 1/Rear Top 3 Assembly R (PM5D-RH)	
G-4. AD3 Circuit Board, LD Circuit Board	69
H. Disassembly Procedure of Rear Top 2 Assembly R (PM5D-RH)	
H-4. AD3 Circuit Board, LPVOL Circuit Board, STLD Circuit Board, SW48 Circuit Board	70

1. Control Panel 3

(Time required : About 4 minutes)

PM5D: Remove the thirty (30) screws marked [1470]. The control panel 3 can then be removed. (Fig. 1)

PM5D-RH: Remove the twenty-four (24) screws marked [2000]. The control panel 3 (RHA) can then be removed. (Fig. 1)

2. Name Plate

(Time required : About 1 minutes)

PM5D: Remove the six (6) screws marked [1435]. The name plate can then be removed. (Fig. 1)

PM5D-RH: Remove the six (6) screws marked [1950]. The name plate can then be removed. (Fig. 1)

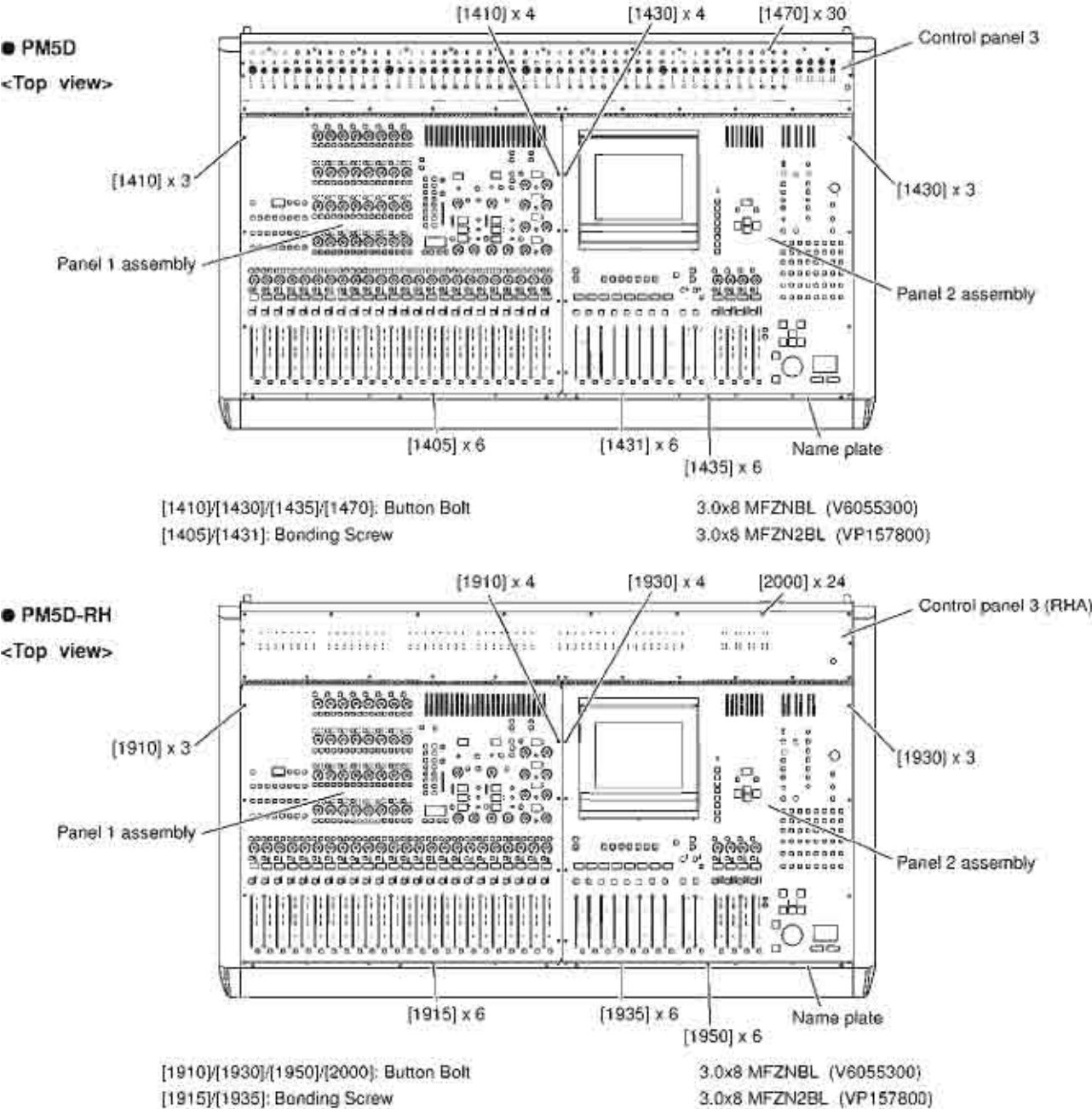


Fig. 1

3. Panel 1 Assembly, Panel 2 Assembly

(Time required : About 8 minutes each)

- Prepare the following support jigs (to fix the panel) in advance.

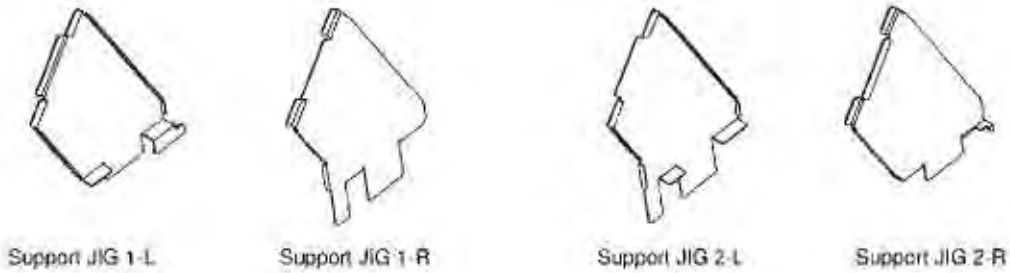
For Panel 1 Assembly: Support jig 1-R (WB477300)

Support jig 1-L (WB477400)

For Panel 2 Assembly: Support jig 2-R (WB477100)

Support jig 2-L (WB477200)

When fixing the Panel 1 Assembly and Panel 2 Assembly both opened, use either the Support Jig 1-R or Support Jig 2-L to fix the center section.



● When fixing the Panel 1 Assembly and Panel 2 Assembly both opened

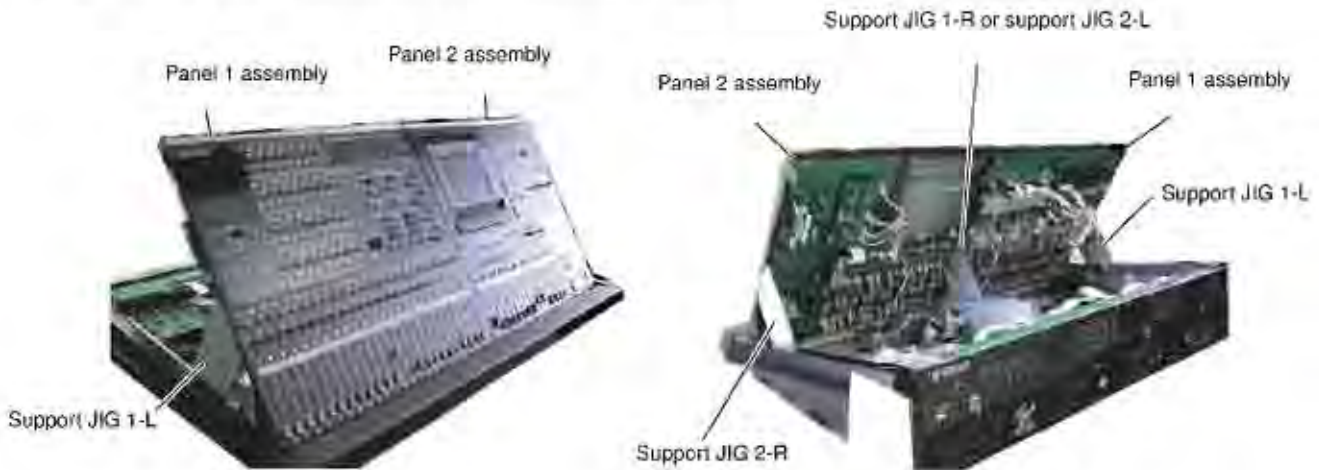


Fig. 2

● Installing the support jig 2-R

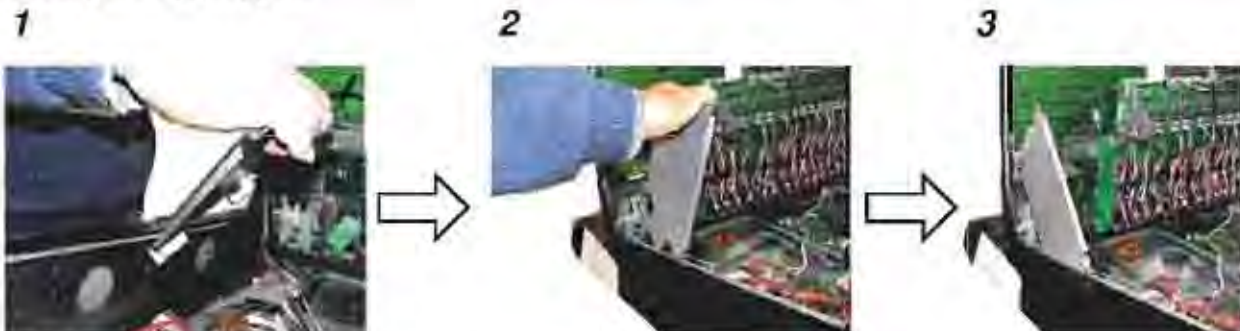


Fig. 3

- 3-1. Remove the control panel 3. (See procedure 1)
 - 3-2. Remove the name plate. (See procedure 2)
 - 3-3. **Panel 1 assembly**
 - 3-3-1. **PM5D:** Remove the seven (7) screws marked [1410] and the six (6) screws marked [1405]. (Fig. 1)
 - PM5D-RH:** Remove the seven (7) screws marked [1910] and the six (6) screws marked [1915]. (Fig. 1)
 - 3-3-2. Lift the panel 1 assembly from the rear side and fasten then by the support JIGs 1-L/R. (Fig. 4)
 - 3-4. **Panel 2 assembly**
 - 3-4-1. **PM5D:** Remove the seven (7) screws marked [1430] and the six (6) screws marked [1431]. (Fig. 1)
 - PM5D-RH:** Remove the seven (7) screws marked [1930] and the six (6) screws marked [1935]. (Fig. 1)
 - 3-4-2. Lift the rear end of the panel 2 assembly and hold it in place with the support JIGs 2-L/R. (Fig. 5)
- * **To remove the panel assembly, disconnect the harness first and lift the panel assembly. (Time required: About 10 minutes each)**



Fig. 4

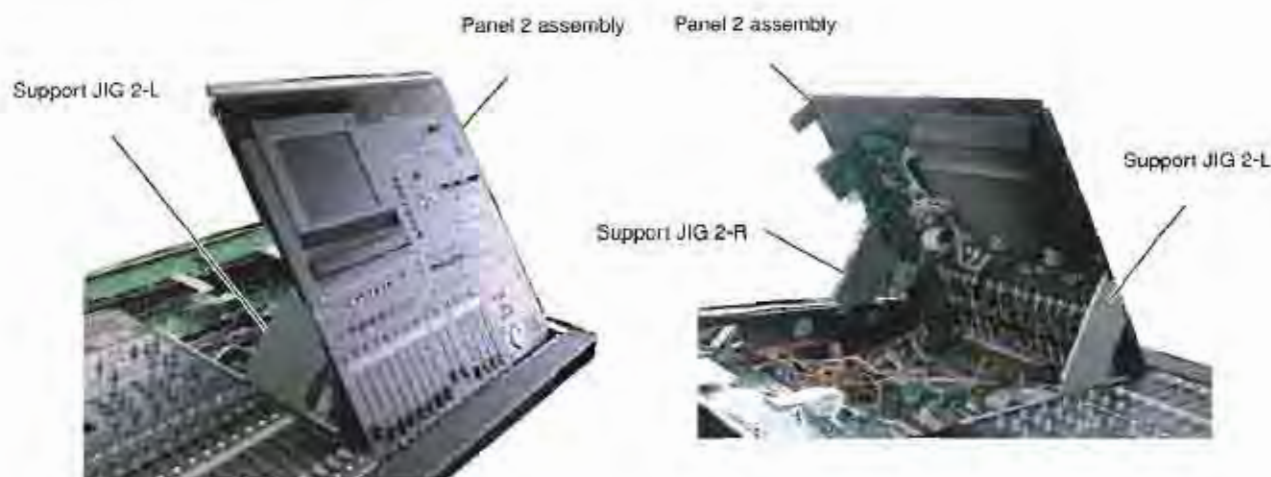


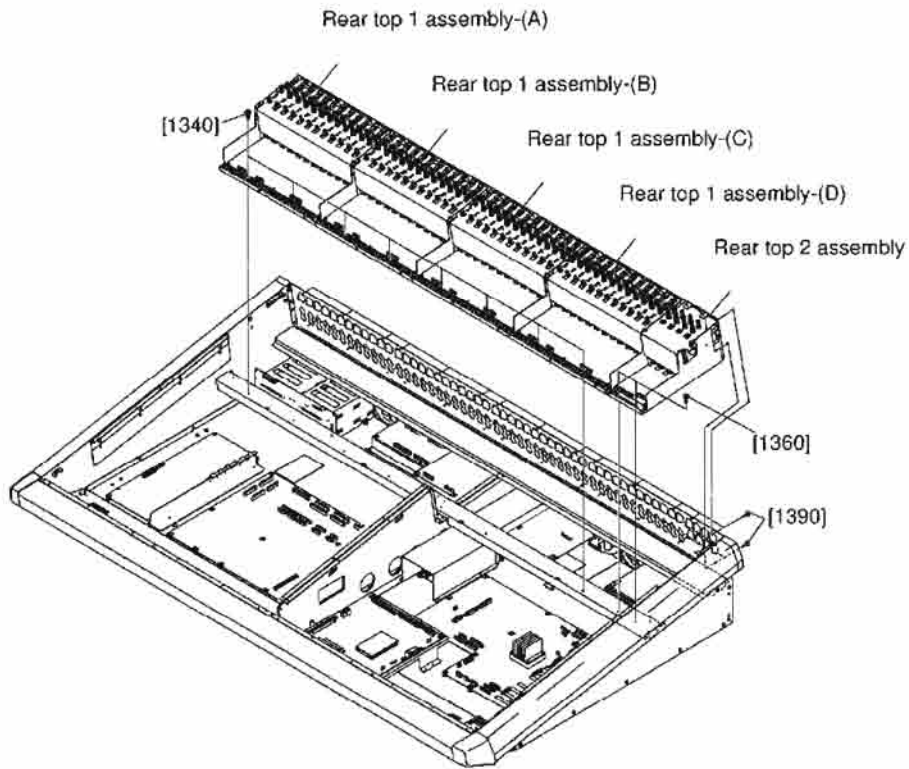
Fig. 5

4. PM5D: Rear Top Assembly

(Time required : About 9 minutes each)

- 4-1. Remove the control panel 3. (See procedure 1)
- 4-2. Remove the name plate. (See procedure 2)
- 4-3. Fasten the applicable panel assembly. (See procedure 3)
- 4-4. **Rear top 1 assembly**
 - 4-4-1. Remove the two (2) screws marked [1340]. (Fig. 6)
 - 4-4-2. Remove the six (6) screws marked [1390]. The rear top 1 assembly can then be removed. (Fig. 6)
- * *There is a total of four (4) rear top 1 assemblies, and they can all be removed in this way.*
- 4-5. **Rear top 2 assembly**
 - 4-5-1. Remove the two (2) screws marked [1360]. (Fig. 6)
 - 4-5-2. Remove the four (4) screws marked [1390]. The rear top 2 assembly can then be removed. (Fig. 6)

● PM5D



[1340]/[1360]: Bind Head Tapping Screw-B
 Bind Head Screw
 [1390]: Bonding Screw

4.0x8 MFZN2BL (EG340190)
 4.0x8 MFZN2BL (EG340360) Ser. #JAKL01001 ~
 3.0x8 MFZN2BL (VP157800)

Fig. 6

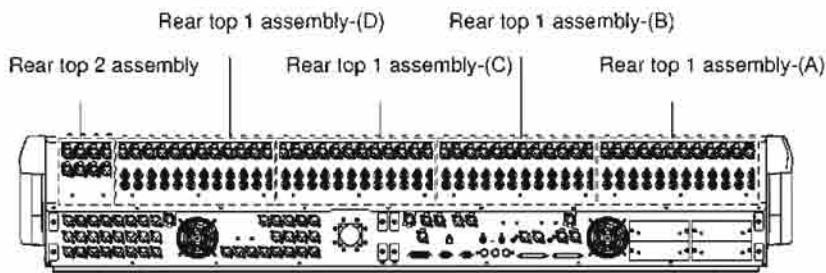


Fig. 7

5. PM5D-RH: Rear Top Assembly R, Cannon Connector

- 5-1. Remove the control panel 3. (See procedure 1)
 5-2. Remove the name plate. (See procedure 2)
 5-3. Fasten the applicable panel assembly. (See procedure 3)
 5-4. **Rear top assembly R**

(Time required : About 10 minutes each)

- 5-4-1. Remove the two (2) screws marked [1760]. (Fig. 8)
 5-4-2. Remove the nine (9) screws marked [1770]. The rear top 1 assembly R-(A) can then be removed. (Fig. 8)

* *There is a total of four (4) rear top assemblies, and they can all be removed in this way.*

Rear top 1 assembly R-(B): two (2) screws marked [1760] and nine (9) screws marked [1770]

Rear top 3 assembly R: two (2) screws marked [1760] and nine (9) screws marked [1770]

Rear top 2 assembly R: two (2) screws marked [1790] and nine (9) screws marked [1800]

5-5. Cannon connector

(Time required : About 9 minutes each)

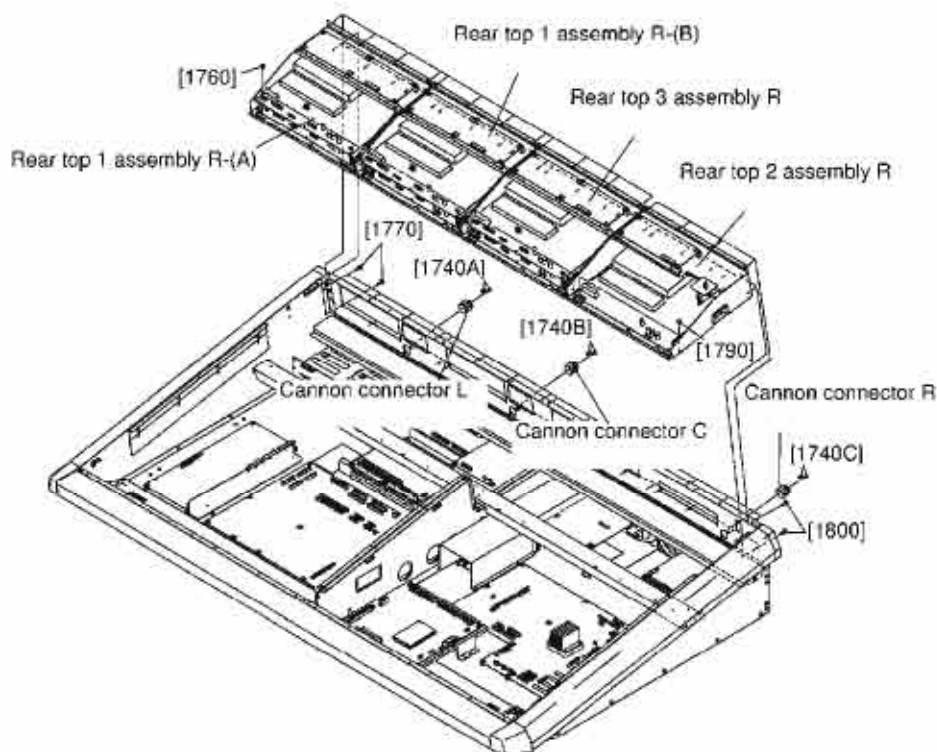
- 5-5-1. Remove the two (2) screws marked [1740A]. The cannon connector L can then be removed. (Fig. 8)

* *There is a total of three (3) cannon connectors, and they can all be removed in this way.*

Cannon connector C: two (2) screws marked [1740B]

Cannon connector R: two (2) screws marked [1740C]

● PM5D-RH



[1740]: Pan Head Screw

[1760]/[1790]: Blind Head Tapping Screw-B
 Blind Head Screw

[1770]/[1800]: Bonding Screw

2.6x8 MFNI33 (EE620190)

4.0x8 MFZN2BL (EG340190)

4.0x8 MFZN2BL (EG340360) Ser.#YAKM01001

3.0x8 MFZN2BL (VP157800)

Fig. 8

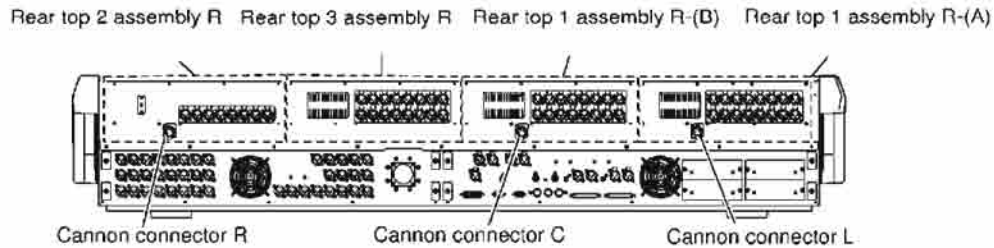


Fig. 9

6. Side Pad (L, R)

(Time required : About 11 minutes each)

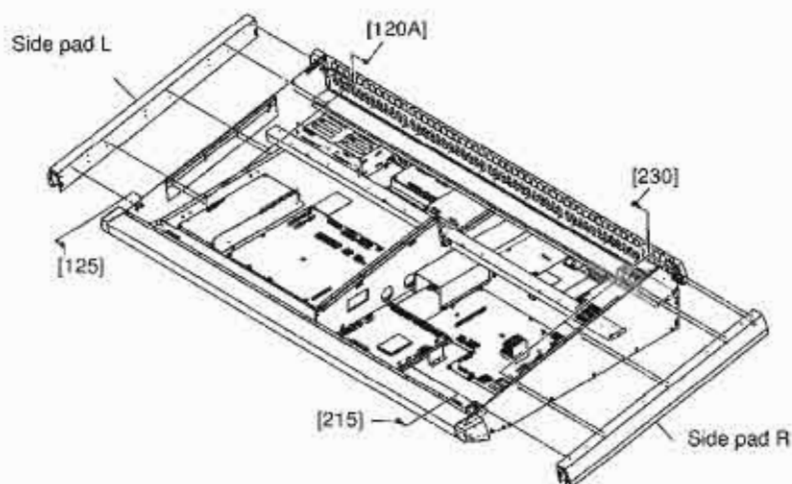
- 6-1. Remove the control panel 3. (See procedure 1)
- 6-2. Remove the name plate. (See procedure 2)
- 6-3. **Side Pad L**
 - 6-3-1. Remove the panel 1 assembly. (See procedure 3)
 - 6-3-2. **PM5D:** Remove the rear top 1 assembly-(A).
(See procedure 4)
PM5D-RH: Remove the rear top 1 assembly R-(A).
(See procedure 5)
 - 6-3-3. **PM5D:** Remove the eight (8) screws marked [120A] and the screw marked [125]. The side pad L can then be removed. (Fig. 10)
PM5D-RH: Remove the eight (8) screws marked [180] and the screw marked [190]. The side pad L can then be removed. (Fig. 11)
- 6-4. **Side Pad R**
 - 6-4-1. Remove the panel 2 assembly. (See procedure 3)
 - 6-4-2. **PM5D:** Remove the rear top 2 assembly.
(See procedure 4)
PM5D-RH: Remove the rear top 2 assembly R.
(See procedure 5)
 - 6-4-3. **PM5D:** Remove the eight (8) screws marked [230] and the screw marked [215]. The side pad R can then be removed. (Fig. 10)
PM5D-RH: Remove the eight (8) screws marked [310] and the screw marked [290]. The side pad R can then be removed. (Fig. 11)

7. Front Pad Assembly

(Time required : About 15 minutes)

- 7-1. Remove the control panel 3. (See procedure 1)
- 7-2. Remove the name plate. (See procedure 2)
- 7-3. Remove the panel 1 and 2 assemblies. (See procedure 3)
- 7-4. **PM5D:** Remove the six (6) screws marked [1810]. The two (2) card protection holders can then be removed. (Fig. 12)
PM5D-RH: Remove the six (6) screws marked [2410]. The two (2) card protection holders can then be removed. (Fig. 13)
- 7-5. Remove the fourteen (14) screws marked [50A].
(PM5D: Fig. 12, PM5D-RH: Fig. 13)
- 7-6. Lift the front pad assembly to remove it. (Fig. 14)

● PM5D

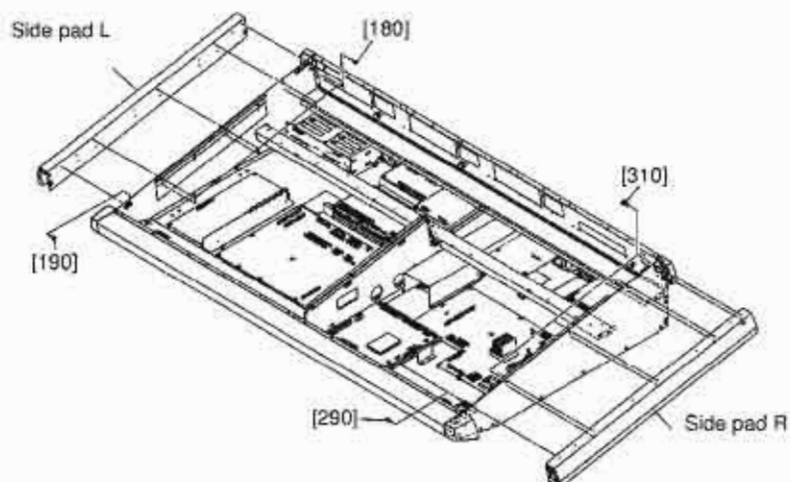


[120A]/[230]: Bind Head Tapping Screw-B
 [125]/[215]: Bind Head Tapping Screw-B

4.0x8 MFZN2BL (EG340190)
 3.0x8 MFZN2BL (EP600190)

Fig. 10

● PM5D-RH



[180]/[310]: Bind Head Tapping Screw-B
 [190]/[290]: Bind Head Tapping Screw-B

4.0x8 MFZN2BL (EG340190)
 3.0x8 MFZN2BL (EP600190)

Fig. 11

8. Corner Pad (L, R)

(Time required : About 16 minutes each)

8-1. Remove the control panel 3. (See procedure 1)

8-2. Remove the name plate. (See procedure 2)

8-3. Remove the panel 1 and 2 assemblies.

(See procedure 3)

8-4. Remove the front pad assembly. (See procedure 7)

8-5. Corner Pad L

8-5-1. **PM5D:** Remove the four (4) screws marked [110A].

The corner pad L can then be removed. (Fig. 12)

PM5D-RH: Remove the four (4) screws marked [170].

The corner pad L can then be removed. (Fig. 13)

8-6. Corner Pad R

8-6-1. **PM5D:** Remove the four (4) screws marked [210]. The corner pad R can then be removed. (Fig. 12)

PM5D-RH: Remove the four (4) screws marked [280].

The corner pad R can then be removed. (Fig. 13)

● PM5D

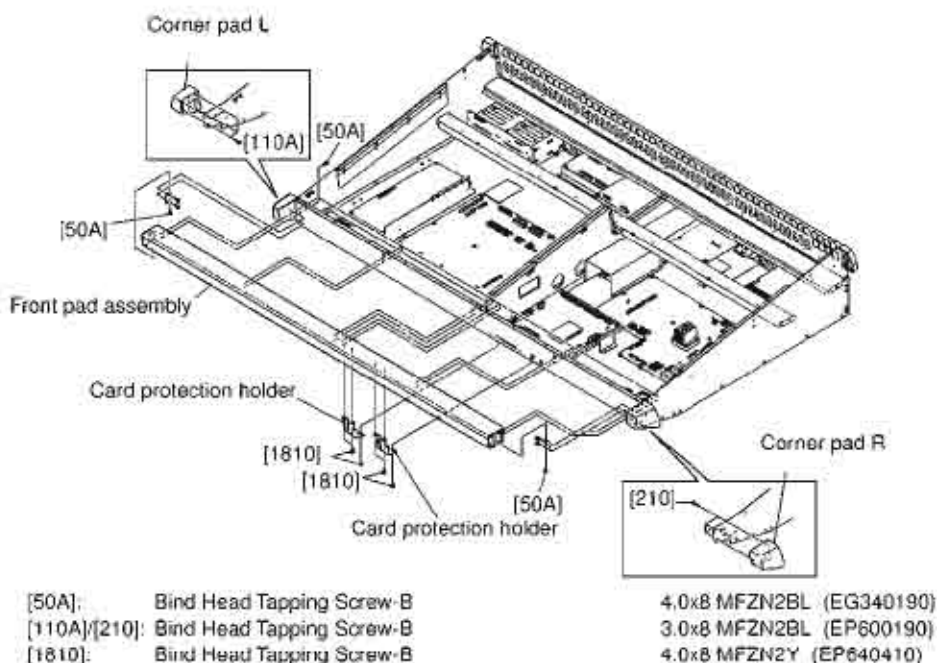


Fig. 12

● PM5D-RH

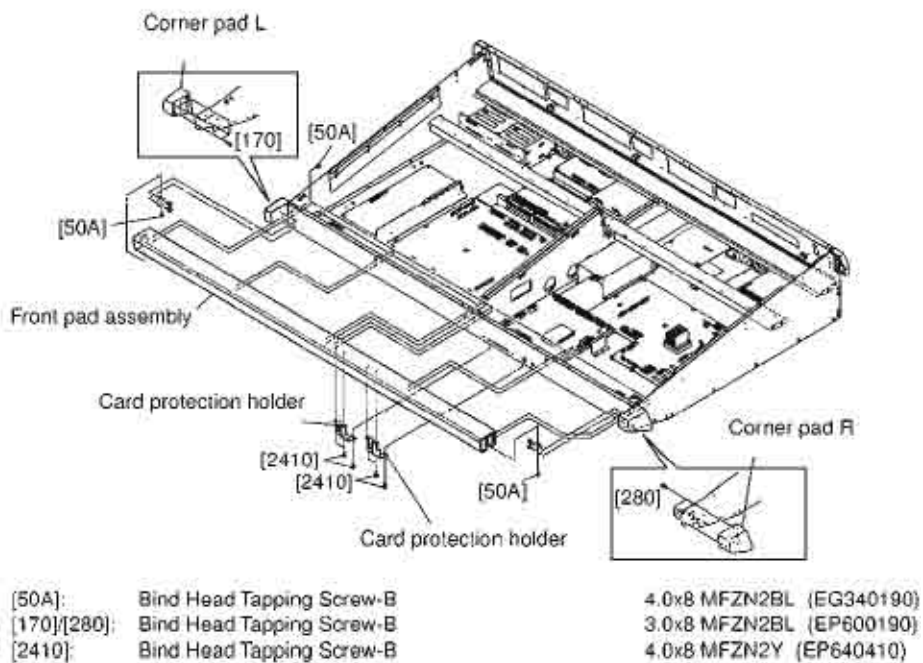


Fig. 13



Fig. 14

9. Rear Pad (L, R)

(Time required : About 11 minutes each)

9-1. Remove the control panel 3. (See procedure 1)

9-2. Remove the name plate. (See procedure 2)

9-3. Rear Pad L

9-3-1. Fasten the panel 1 assembly. (See procedure 3)

9-3-2. **PM5D:** Remove the rear top 1 assembly-(A).

(See procedure 4)

PM5D-RH: Remove the rear top 1 assembly R-(A).

(See procedure 5)

9-3-3. **PM5D:** Remove the two (2) screws marked [170]. The rear pad L can then be removed. (Fig. 15)

PM5D-RH: Remove the two (2) screws marked [240].

The rear pad L can then be removed. (Fig. 16)

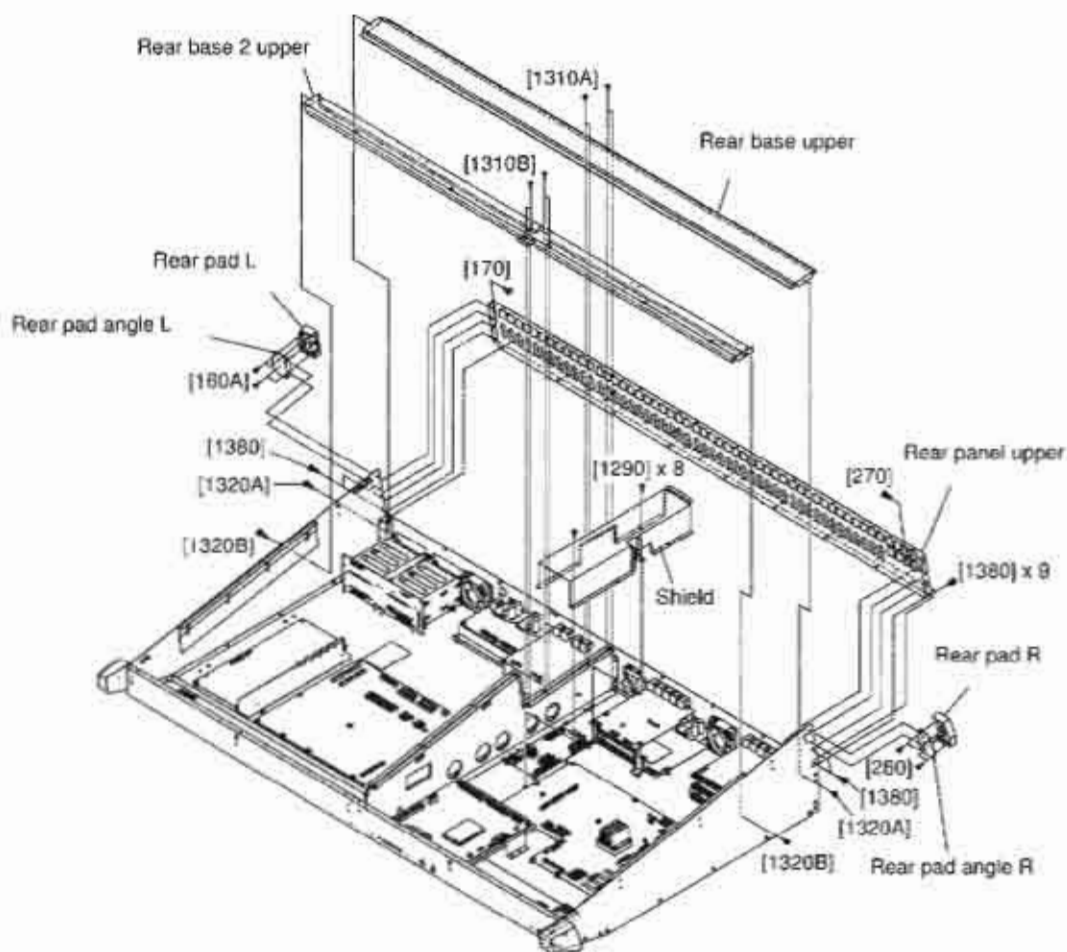
9-3-4. **PM5D:** Remove the four (4) screws marked [160A].

The rear pad angle L can then be removed from the rear pad L. (Fig. 15)

PM5D-RH: Remove the four (4) screws marked [230].

The rear pad angle L can then be removed from the rear pad L. (Fig. 16)

● **PM5D**



[170]/[270]/[1320]/[1380]: Bind Head Tapping Screw-B
 [160A]/[200]/[1310]: Bind Head Tapping Screw-B
 [1290]: Bind Head Tapping Screw-B

4.0x8 MFZN2BL (EG340190)
 3.0x8 MFZN2BL (EP600190)
 3.0x6 MFZN2BL (EP600230)

Fig. 15

PM5D/PM5D-RH

9-4. Rear Pad R

9-4-1. Fasten the panel 2 assembly. (See procedure 3)

9-4-2. **PM5D:** Remove the rear top 2 assembly.

(See procedure 4)

PM5D-RH: Remove the rear top 2 assembly R.

(See procedure 5)

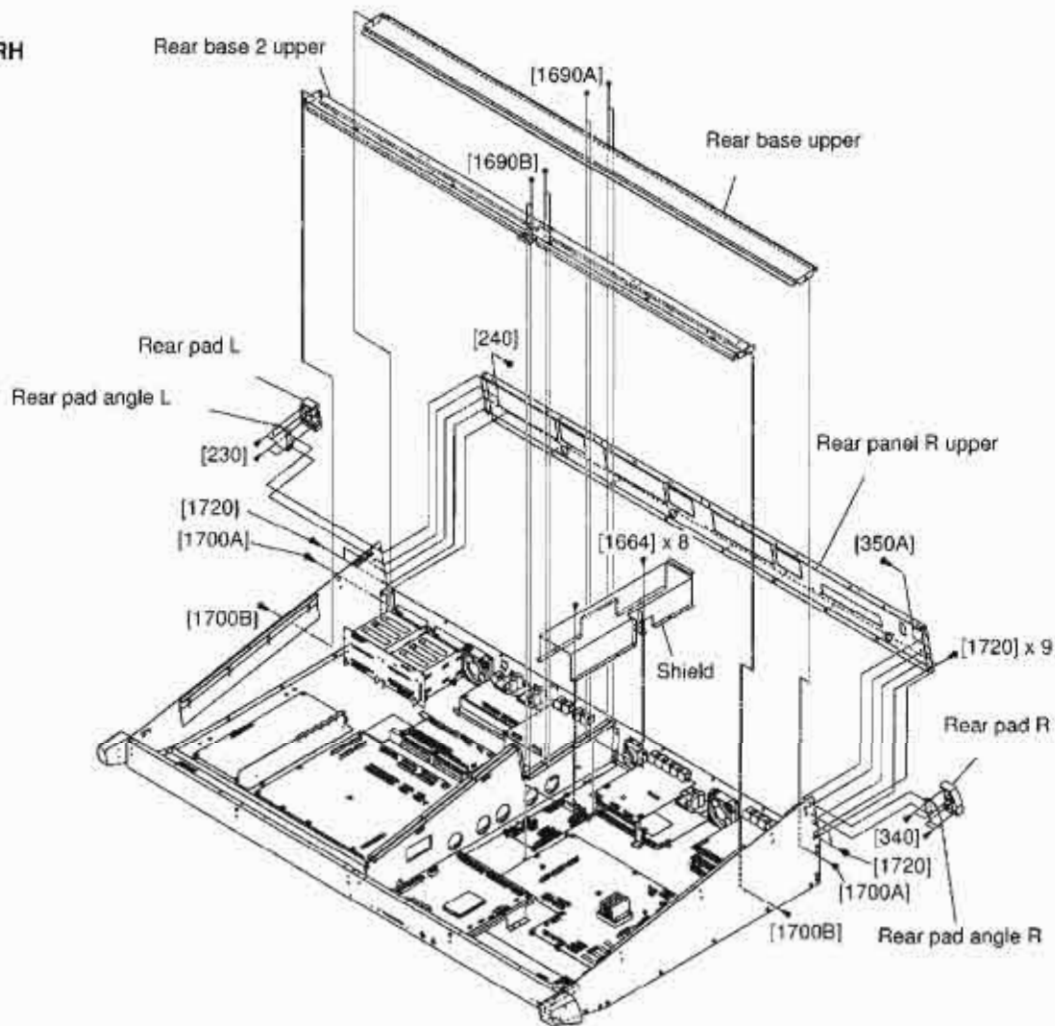
9-4-3. **PM5D:** Remove the two (2) screws marked [270]. The rear pad R can then be removed. (Fig. 15)

PM5D-RH: Remove the two (2) screws marked [350A]. The rear pad R can then be removed. (Fig. 16)

9-4-4. **PM5D:** Remove the four (4) screws marked [260]. The rear pad angle R can then be removed from the rear pad R. (Fig. 15)

PM5D-RH: Remove the four (4) screws marked [340]. The rear pad angle R can then be removed from the rear pad R. (Fig. 16)

● **PM5D-RH**



[240]/[350A]/[1700]/[1720]: Bind Head Tapping Screw-B
 [230]/[340]/[1690]: Bind Head Tapping Screw-B
 [1664]: Bind Head Tapping Screw-B

4.0x8 MFZN2BL (EG340190)
 3.0x8 MFZN2BL (EP600190)
 3.0x6 MFZN2BL (EP600230)

Fig. 16

10. Rear Base Upper, Rear Base 2 Upper

(Time required : About 15 minutes)

- 10-1. Remove the control panel 3. (See procedure 1)
- 10-2. Remove the name plate. (See procedure 2)
- 10-3. Fasten the panel 1 and 2 assemblies. (See procedure 3)
- 10-4. Remove the all rear top assemblies.
(PM5D: See procedure 4, PM5D-RH: See procedure 5)
- 10-5. **PM5D:** Remove the four (4) screws marked [1310A] and the two (2) screws marked [1320A]. The rear base upper can then be removed. (Fig. 15)
PM5D-RH: Remove the four (4) screws marked [1690A] and the two (2) screws marked [1700A]. The rear base upper can then be removed. (Fig. 16)
- 10-6. **PM5D:** Remove the four (4) screws marked [1310B] and the two (2) screws marked [1320B]. The rear base 2 upper can then be removed. (Fig. 15)
PM5D-RH: Remove the four (4) screws marked [1690B] and the two (2) screws marked [1700B]. The rear base 2 upper can then be removed. (Fig. 16)

11. Shield (Time required : About 16 minutes)

- 11-1. Remove the control panel 3. (See procedure 1)
- 11-2. Remove the name plate. (See procedure 2)
- 11-3. Fasten the panel 1 and 2 assemblies. (See procedure 3)
- 11-4. Remove the all rear top assemblies.
(PM5D: See procedure 4, PM5D-RH: See procedure 5)
- 11-5. Remove the rear base upper and the rear base 2 upper.
(See procedure 10)
- 11-6. **PM5D:** Remove the eight (8) screws marked [1290]. The shield can then be removed. (Fig. 15)
PM5D-RH: Remove the eight (8) screws marked [1664]. The shield can then be removed. (Fig. 16)

12. Rear Panel Upper

(Time required : About 20 minutes)

- 12-1. Remove the control panel 3. (See procedure 1)
- 12-2. Remove the name plate. (See procedure 2)
- 12-3. Fasten the panel 1 and 2 assemblies. (See procedure 3)
- 12-4. Remove the all rear top assemblies.
(PM5D: See procedure 4, PM5D-RH: See procedure 5)
- 12-5. Remove the rear pad L and R. (See procedure 9)
- 12-6. **PM5D:** Remove the thirteen (13) screws marked [1380]. The rear panel upper can then be removed. (Fig. 15)
PM5D-RH: Remove the thirteen (13) screws marked [1720]. The rear panel R upper can then be removed. (Fig. 16)

13. BRG4 Circuit Board

(Time required : About 11 minutes)

- 13-1. Remove the control panel 3. (See procedure 1)
- 13-2. Remove the name plate. (See procedure 2)
- 13-3. Fasten the panel 1 assembly. (See procedure 3)
- 13-4. **PM5D:** Remove the six (6) screws marked [522] and the two (2) screws marked [526]. The BRG4 circuit board can then be removed. (Fig. 17)
PM5D-RH: Remove the six (6) screws marked [930] and the two (2) screws marked [950]. The BRG4 circuit board can then be removed. (Fig. 18)
- 13-5. **PM5D:** Remove the seven (7) screws marked [532]. The heat sink and heat sink holder can then be removed from the BRG4 circuit board. (Fig. 17)
PM5D-RH: Remove the seven (7) screws marked [970]. The heat sink and heat sink holder can then be removed from the BRG4 circuit board. (Fig. 18)

14. DSP Circuit Board

(Time required : About 10 minutes)

- 14-1. Remove the control panel 3. (See procedure 1)
- 14-2. Remove the name plate. (See procedure 2)
- 14-3. Fasten the panel 1 assembly. (See procedure 3)
- 14-4. **PM5D:** Remove the eleven (11) screws marked [430]. The DSP circuit board can then be removed. (Fig. 17)
PM5D-RH: Remove the eleven (11) screws marked [610]. The DSP circuit board can then be removed. (Fig. 18)

15. BRG1 Circuit Board

(Time required : About 13 minutes)

- 15-1. Remove the control panel 3. (See procedure 1)
- 15-2. Remove the name plate. (See procedure 2)
- 15-3. Fasten the panel 2 assembly. (See procedure 3)
- 15-4. **PM5D:** Remove the twelve (12) screws marked [450] and the two (2) screws marked [454]. The BRG1 circuit board can then be removed. (Fig. 17)
PM5D-RH: Remove the twelve (12) screws marked [710] and the two (2) screws marked [730]. The BRG1 circuit board can then be removed. (Fig. 18)
- 15-5. **PM5D:** Remove the fourteen (14) screws marked [459]. The heat sink and heat sink holder can then be removed from the BRG1 circuit board. (Fig. 17)
PM5D-RH: Remove the four (4) screws marked [760] and the ten (10) screws marked [780]. The heat sink and heat sink holder can then be removed from the BRG1 circuit board. (Fig. 18)
- 15-6. **PM5D:** Remove the four (4) screws marked [2120]. The heat sink can then be removed from the BRG1 circuit board. (Fig. 17)
PM5D-RH: Remove the four (4) screws marked [2720]. The heat sink can then be removed from the BRG1 circuit board. (Fig. 18)

16. MAIN Circuit Board

(Time required : About 11 minutes)

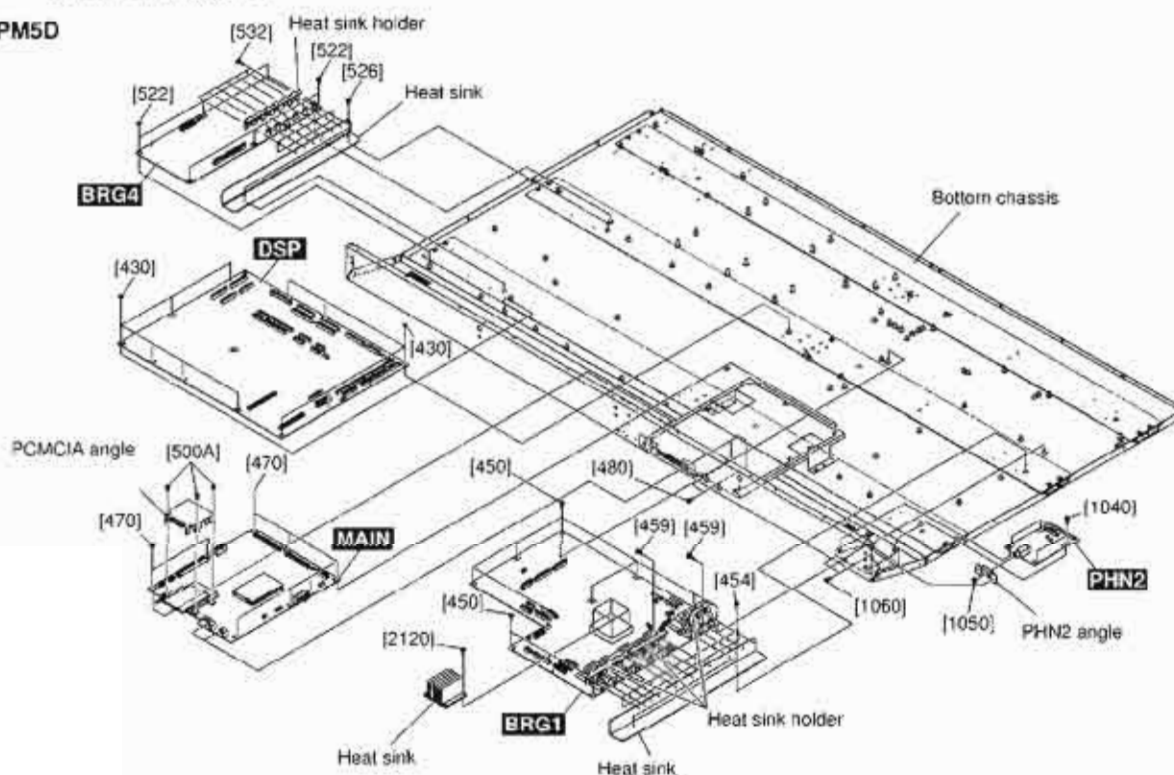
- 16-1. Remove the control panel 3. (See procedure 1)
- 16-2. Remove the name plate. (See procedure 2)
- 16-3. Remove the panel 2 assembly. (See procedure 3)
- 16-4. **PM5D:** Remove the eight (8) screws marked [470] and the two (2) screws marked [480]. The MAIN circuit board can then be removed. (Fig. 17)
PM5D-RH: Remove the eight (8) screws marked [810] and the two (2) screws marked [820]. The MAIN circuit board can then be removed. (Fig. 18)
- 16-5. **PM5D:** Remove the three (3) screws marked [500A]. The PCMCIA angle can then be removed from the MAIN circuit board. (Fig. 17)
PM5D-RH: Remove the three (3) screws marked [840]. The PCMCIA angle can then be removed from the MAIN circuit board. (Fig. 18)

17. Replacing the Lithium Battery

(Time required : About 8 minutes)

- 17-1. Remove the control panel 3. (See procedure 1)
- 17-2. Remove the name plate. (See procedure 2)
- 17-3. Fasten the panel 2 assembly. (See procedure 3)
- 17-4. You can replace the lithium battery from the MAIN circuit board. (Fig. 19)

● PM5D



- [430]/[450]/[454]/[470]: Bind Head Tapping Screw-B
- [500A]/[522]/[526]/[1040]: Bind Head Tapping Screw-B
- [459]/[532]: Bind Head Screw
- [480]: Bonding Screw
- [2120]: Bind Head Screw
- [1050]: Hexagonal Nut
- [1060]: Bonding Tapping Screw-B

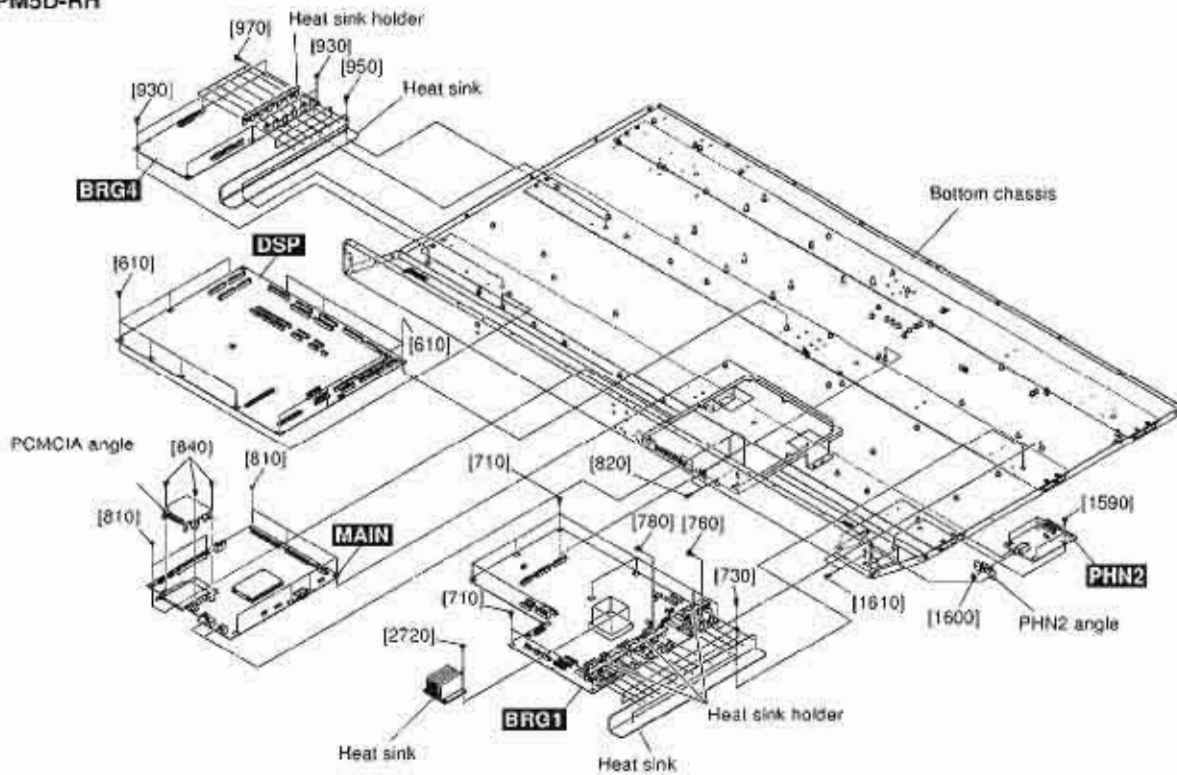
- 3.0x6 MFZN2BL (EP600230)
- 3.0x6 MFZN2BL (EP600230)
- 3.0x8 MFZN2BL (VB659000)
- 3.0x8 MFZN2BL (VP157800)
- SP 3.0x8 MFZN2Y (EG330290)
- 9.0 11x2 MFZN2BL (VJ388000)
- 3.0x8 MFZN2BL (VN413300)

Fig. 17

PM5D/PM5D-RH

- * The lithium battery is not part of the MAIN circuit board. When you replace the MAIN circuit board, you should remove the lithium battery from the board, and install in the holder on the new circuit board.
- * Before replacing the lithium battery be sure to save all the setting data in PM5D/PM5D-RH into a memory card. (See page 249.)

● PM5D-RH



[610]/[710]/[730]/[810]: Bind Head Tapping Screw-B
 [840]/[930]/[950]/[1590]: Bind Head Tapping Screw-B
 [760]/[780]/[970]: Bind Head Screw
 [820]: Bonding Screw
 [2720]: Bind Head Screw
 [1600]: Hexagonal Nut
 [1610]: Bonding Tapping Screw-B

3.0x6 MFZN2BL (EP600230)
 3.0x6 MFZN2BL (EP600230)
 3.0x8 MFZN2BL (VB659000)
 3.0x8 MFZN2BL (VP157800)
 SP 3.0x8 MFZN2Y (EG330290)
 9.0 11x2 MFZN2BL (VJ388000)
 3.0x8 MFZN2BL (VN413300)

Fig. 18

• Lithium Battery

Battery VN103500
 VN103500 Battery holder for VN103500

- Notice for back-up battery removal
 Push the battery as shown in figure, then the battery will pop up.
- Druk de batterij naar beneden zoals aangegeven in de tekening de batterij springt dan naar voren.

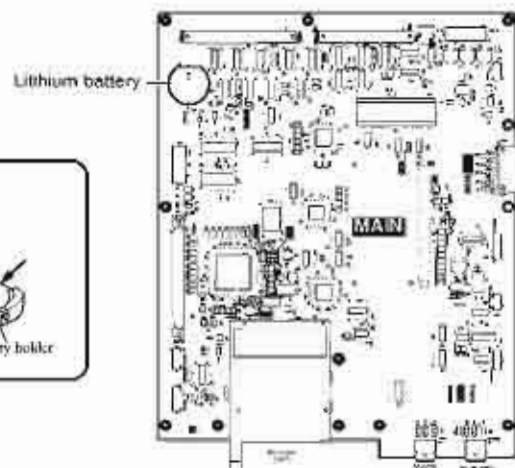


Fig. 19

18. PHN2 Circuit Board

(Time required ; About 12 minutes)

- 18-1. Remove the control panel 3. (See procedure 1)
- 18-2. Remove the name plate. (See procedure 2)
- 18-3. Remove the panel 2 assembly. (See procedure 3)
- 18-4. **PM5D:** Remove the four (4) screws marked [1040] and the two (2) screws marked [1060]. The PHN2 circuit board can then be removed. (Fig. 17)
PM5D-RH: Remove the four (4) screws marked [1590] and the two (2) screws marked [1610]. The PHN2 circuit board can then be removed. (Fig. 18)
- 18-5. **PM5D:** Remove the hexagonal nut marked [1050]. The PHN2 angle can then be removed from the PHN2 circuit board. (Fig. 17)
PM5D-RH: Remove the hexagonal nut marked [1600]. The PHN2 angle can then be removed from the PHN2 circuit board. (Fig. 18)

A. Disassembly Procedure of Rear Bottom section

A-1. Circuit Boards and Assemblies

- A-1. Remove the control panel 3. (See procedure 1)
- A-2. Remove the name plate. (See procedure 2)
- A-3. Fasten the applicable panel assembly. (See procedure 3)
- A-4. Remove the applicable rear top assembly.
 (PM5D: See procedure 4, PM5D-RH: See procedure 5)
- A-5. Remove the rear base upper and the rear base 2 upper.
 (See procedure 10)
- * *It is also possible to perform this work without removing the rear bases upper.*
- A-6. Each circuit board and assembly can be removed by removing its fixing screws as listed below.

(Time required) Cannon connector L: About 9 minutes
 DA1 (#4) circuit board: About 20 minutes

● PM5D

Circuit board and Assembly	Ref. No.	Screw		QTY	Fig.
OPT Circuit Board	342	Bind Head Screw	4.0x8 SP MFZN2Y(VZ538000)	4	21
Fan Motor L	310A	Pan Head Screw	SP 4.0x20 MFZN2BL (VB671600)	4	21
	300A	Fan Guard		1	21
	290A	Fan Guide		2	21
Fan Motor R	310B	Pan Head Screw	SP 4.0x20 MFZN2BL (VB671600)	4	21
	300B	Fan Guard		1	21
	290B	Fan Guide		2	21
Cannon Connector L	1010A	Pan Head Screw	2.6x8 MFNI33 (EE620190)	2	21
Cannon Connector C	1010B	Pan Head Screw	2.6x8 MFNI33 (EE620190)	2	21
Cannon Connector R	1010C	Pan Head Screw	2.6x8 MFNI33 (EE620190)	2	21
DRN Circuit Board	990A	Bonding Tapping Screw-B	3.0x8 MFZN2BL (VN413300)	2	21
DRL Circuit Board	990B	Bonding Tapping Screw-B	3.0x8 MFZN2BL (VN413300)	2	21
ANI3 Circuit Board	720	Bind Head Tapping Screw-B	2.6x8 MFZN2BL (VB096700)	8	21
	730	Bind Head Tapping Screw-B	3.0x6 MFZN2BL (EP600230)	2	21

● PM5D

Circuit board and Assembly	Ref. No.	Screw	QTY	Fig.
JK1 Circuit Board *1	850	Bonding Tapping Screw-B 3.0x8 MFZN2BL (VN413300)	6	21
	660	Bind Head Tapping Screw-B 2.6x8 MFZN2BL (VB096700)	6	21
	670	Bonding Screw 3.0x8 MFZN2BL (VP157800)	3	21
	680A	Bind Head Tapping Screw-B 3.0x6 MFZN2BL (EP600230)	3	21
JK2 Circuit Board *2	550A	Hex. Locking Screw JFS-2.6S-BIW (VS604900)	6	21
	B	Hex. Locking Screw	4	21
	560A	Bonding Tapping Screw-B 3.0x8 MFZN2BL (VN413300)	2	21
	570	Bind Head Tapping Screw-B 3.0x6 MFZN2BL (EP600230)	3	21
DA2 Circuit Board	880A	Bonding Tapping Screw-B 3.0x8 MFZN2BL (VN413300)	10	21
DA3 Circuit Board *3	905A	Bind Head Screw 3.0x6 MFZN2BL (EG330360)	2	21
	880B	Bonding Tapping Screw-B 3.0x8 MFZN2BL (VN413300)	8	21
	890	DA Mount Angle	1	21
	900A	Bind Head Tapping Screw-B 3.0x6 MFZN2BL (EP600230)	2	21
	905B	Bind Head Screw 3.0x6 MFZN2BL (EG330360)	2	21
DR Circuit Board	770	Bonding Tapping Screw-B 3.0x8 MFZN2BL (VN413300)	2	21
DA1 (#4) Circuit Board *4 (MIX OUT)	790A	Bonding Tapping Screw-B 3.0x8 MFZN2BL (VN413300)	16	21
	900B	Bind Head Tapping Screw-B 3.0x6 MFZN2BL (EP600230)	2	21
DA1 (#1) Circuit Board (MONITOR OUT)	790B	Bonding Tapping Screw-B 3.0x8 MFZN2BL (VN413300)	16	21
	805A	Bind Head Screw 3.0x6 MFZN2BL (EG330360)	2	21
DA1 (#2) Circuit Board *5 (MONITOR OUT)	790C	Bonding Tapping Screw-B 3.0x8 MFZN2BL (VN413300)	16	21
	805B	Bind Head Screw 3.0x6 MFZN2BL (EG330360)	2	21
DA1 (#3) Circuit Board *6 (MONITOR OUT)	790D	Bonding Tapping Screw-B 3.0x8 MFZN2BL (VN413300)	16	21
	800	Bind Head Tapping Screw-B 3.0x6 MFZN2BL (EP600230)	2	21
Receptacle Assembly *7	370	Bind Head Tapping Screw-B 3.0x8 MFZN2BL (EP600190)	4	21
	390	Bind Head Tapping Screw-B 4.0x8 MFZN2BL (EG340190)	1	20
BRG5 Circuit Board *7	582	Bind Head Tapping Screw-B 3.0x6 MFZN2BL (EP600230)	7	21

- *1 When removing the JK1 circuit board, remove the ANI3 circuit board first. *1
- *2 When removing the JK2 circuit board, remove the ANI3 and JK1 circuit boards first. *2
- *3 When removing the DA3 circuit board, remove the DA2 circuit board first. *3
- *4 When removing the DA1(#4) circuit board, remove the DA2 and DA3 circuit boards first. *4
- *5 When removing the DA1(#2) circuit board, remove the DA1(#1) circuit board first. *5
- *6 When removing the DA1(#3) circuit board, remove the DA1(#1) and DA1(#2) circuit boards first. *6
- *7 Remove the shield BRG5 first. (See procedure 11.) *7

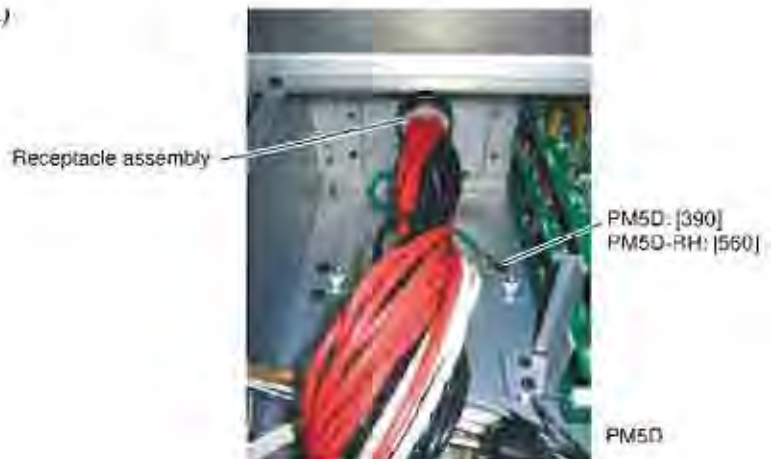


Fig. 20

● PM5D-RH

Circuit board and Assembly	Ref. No.	Screw		QTY	Fig.
CN1R Circuit Board	665	Blind Head Screw	4.0x8 SP MFZN2Y (VZ538000)	6	22
OPT Circuit Board	440	Blind Head Screw	4.0x8 SP MFZN2Y (VZ538000)	4	22
Fan Motor L	400A	Pan Head Screw	SP 4.0x20 MFZN2BL (VB671600)	4	22
	390A	Fan Guard		1	22
	380A	Fan Guide		2	22
Fan Motor R	400B	Pan Head Screw	SP 4.0x20 MFZN2BL (VB671600)	4	22
	390B	Fan Guard		1	22
	380B	Fan Guide		2	22
DRN Circuit Board	1540A	Bonding Tapping Screw-B	3.0x8 MFZN2BL (VN413300)	2	22
DRL Circuit Board	1540B	Bonding Tapping Screw-B	3.0x8 MFZN2BL (VN413300)	2	22
ANI3 Circuit Board	1260	Blind Head Tapping Screw-B	2.6x8 MFZN2BL (VB096700)	8	22
	1270	Blind Head Tapping Screw-B	3.0x6 MFZN2BL (EP600230)	2	22
JK1 Circuit Board *1	1200	Bonding Tapping Screw-B	3.0x8 MFZN2BL (VN413300)	6	22
	1210	Blind Head Tapping Screw-B	2.6x8 MFZN2BL (VB096700)	6	22
	1220	Bonding Screw	3.0x8 MFZN2BL (VP157800)	3	22
	1230	Blind Head Tapping Screw-B	3.0x6 MFZN2BL (EP600230)	3	22
	990	Hex. Locking Screw	JFS-2.6S-BIW (VS804900)	6	22
JK2 Circuit Board *2	B	Hex. Locking Screw		2	22
	1000	Bonding Tapping Screw-B	3.0x8 MFZN2BL (VN413300)	2	22
	1010	Blind Head Tapping Screw-B	3.0x6 MFZN2BL (EP600230)	3	22
DA2 Circuit Board	1420A	Bonding Tapping Screw-B	3.0x8 MFZN2BL (VN413300)	10	22
	1445A	Blind Head Screw	3.0x6 MFZN2BL (EG330360)	2	22
DA3 Circuit Board *3	1420B	Bonding Tapping Screw-B	3.0x8 MFZN2BL (VN413300)	6	22
	1430	DA Mount Angle		1	22
	1440A	Blind Head Tapping Screw-B	3.0x6 MFZN2BL (EP600230)	2	22
	1445B	Blind Head Screw	3.0x6 MFZN2BL (EG330360)	2	22
DR Circuit Board	1300	Bonding Tapping Screw-B	3.0x8 MFZN2BL (VN413300)	2	22
DA1 (#4) Circuit Board *4 (MIX OUT)	1330A	Bonding Tapping Screw-B	3.0x8 MFZN2BL (VN413300)	16	22
	1440B	Blind Head Tapping Screw-B	3.0x6 MFZN2BL (EP600230)	2	22
DA1 (#1) Circuit Board (MONITOR OUT)	1330B	Bonding Tapping Screw-B	3.0x8 MFZN2BL (VN413300)	16	22
	1345A	Blind Head Screw	3.0x6 MFZN2BL (EG330360)	2	22
DA1 (#2) Circuit Board *5 (MONITOR OUT)	1330C	Bonding Tapping Screw-B	3.0x8 MFZN2BL (VN413300)	18	22
	1345B	Blind Head Screw	3.0x6 MFZN2BL (EG330360)	2	22
DA1 (#3) Circuit Board *6 (MONITOR OUT)	1330D	Bonding Tapping Screw-B	3.0x8 MFZN2BL (VN413300)	16	22
	1340	Blind Head Tapping Screw-B	3.0x6 MFZN2BL (EP600230)	2	22
Receptacle Assembly *7	540	Blind Head Tapping Screw-B	3.0x8 MFZN2BL (EP600190)	4	22
	560	Blind Head Tapping Screw-B	4.0x8 MFZN2BL (EG340190)	1	20
BRG5 Circuit Board *7	1070	Blind Head Tapping Screw-B	3.0x6 MFZN2BL (EP600230)	7	22

- *1 When removing the JK1 circuit board, remove the ANI3 circuit board first. *1
- *2 When removing the JK2 circuit board, remove the ANI3 and JK1 circuit boards first. *2
- *3 When removing the DA3 circuit board, remove the DA2 circuit board first. *3
- *4 When removing the DA1(#4) circuit board, remove the DA2 and DA3 circuit boards first. *4
- *5 When removing the DA1(#2) circuit board, remove the DA1(#1) circuit board first. *5
- *6 When removing the DA1(#3) circuit board, remove the DA1(#1) and DA1(#2) circuit boards first. *6
- *7 Remove the shield BRG5 first. (See procedure 11.) *7

● PM5D

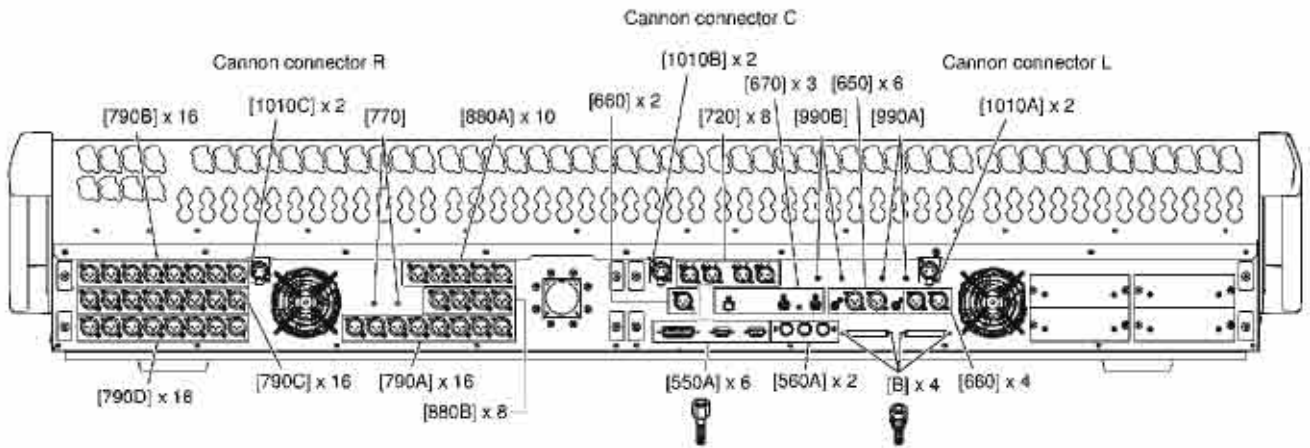
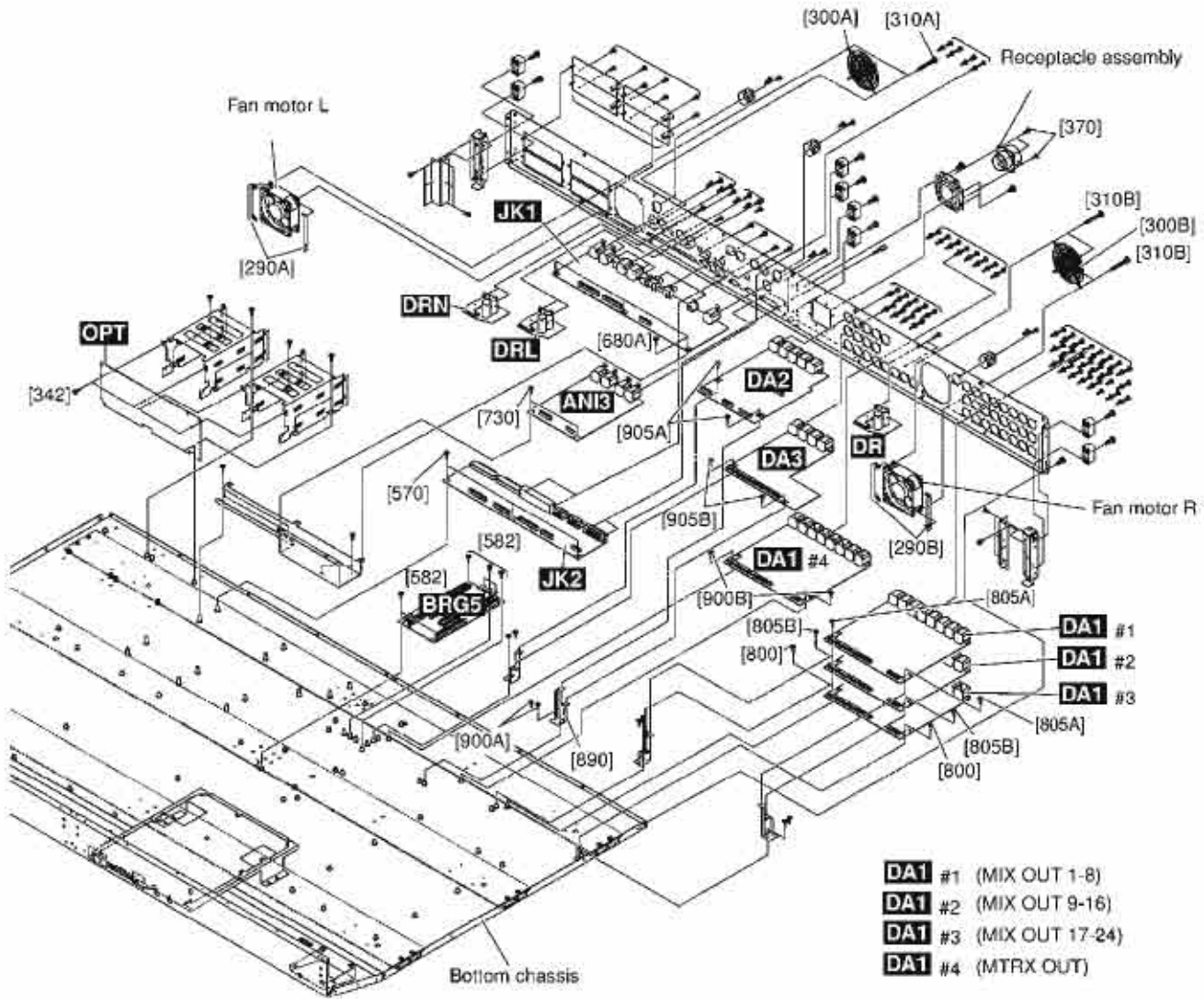


Fig. 21

● PM5D-RH

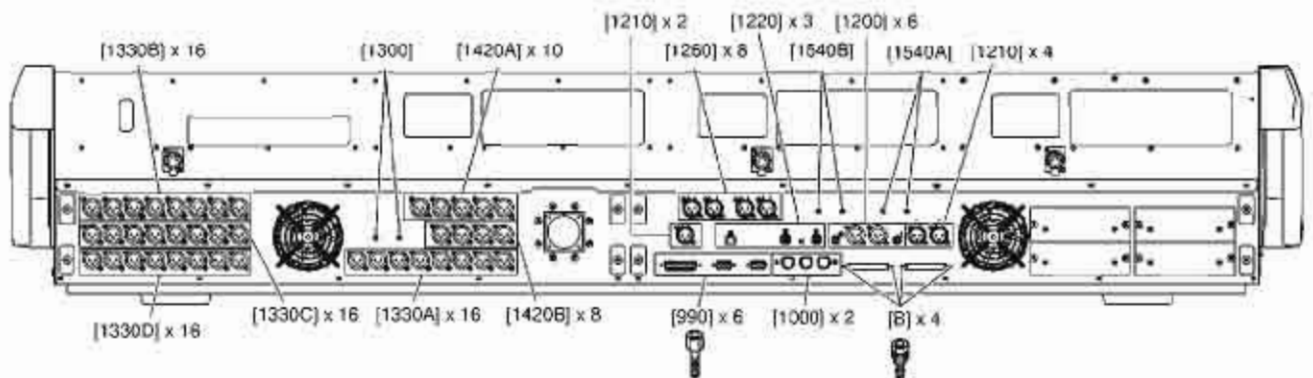
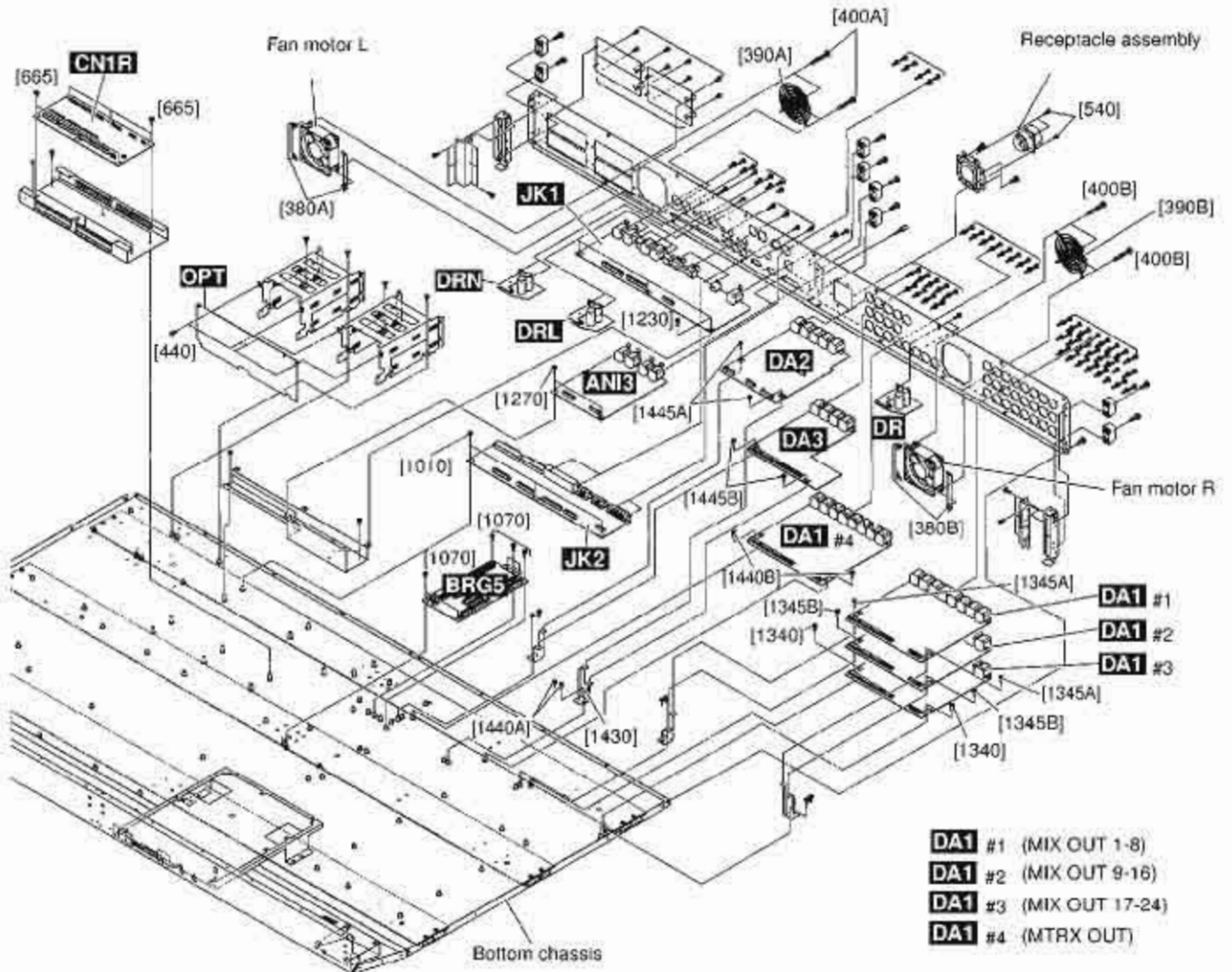


Fig. 22

B. Disassembly Procedure of Panel 1 Assembly

- B-1. Remove the control panel 3. (See procedure 1)
- B-2. Remove the name plate. (See procedure 2)
- B-3. Fasten the panel 1 assembly. (See procedure 3)

B-4. Fader Assembly

(Time required : About 9 minutes each)

- B-4-1. Remove the fader knob from the control panel side. (Fig. 23)
- B-4-2. Remove the two (2) screws marked [350B]. The fader assembly can then be removed. (Fig. 24)
- * There is a total of twenty-four (24) fader assemblies, and they can all be removed in this way.
- * After replacing the fader assembly, please calibrate the faders. (See page 192.)

B-5. BRG2 Circuit Board, FDA Circuit Board, FDB Circuit Board

B-5-1. BRG2 Circuit Board

(Time required : About 11 minutes)

- B-5-1-1. Remove the eight (8) screws marked [330A]. The BRG2 circuit board can then be removed. (Fig. 24)

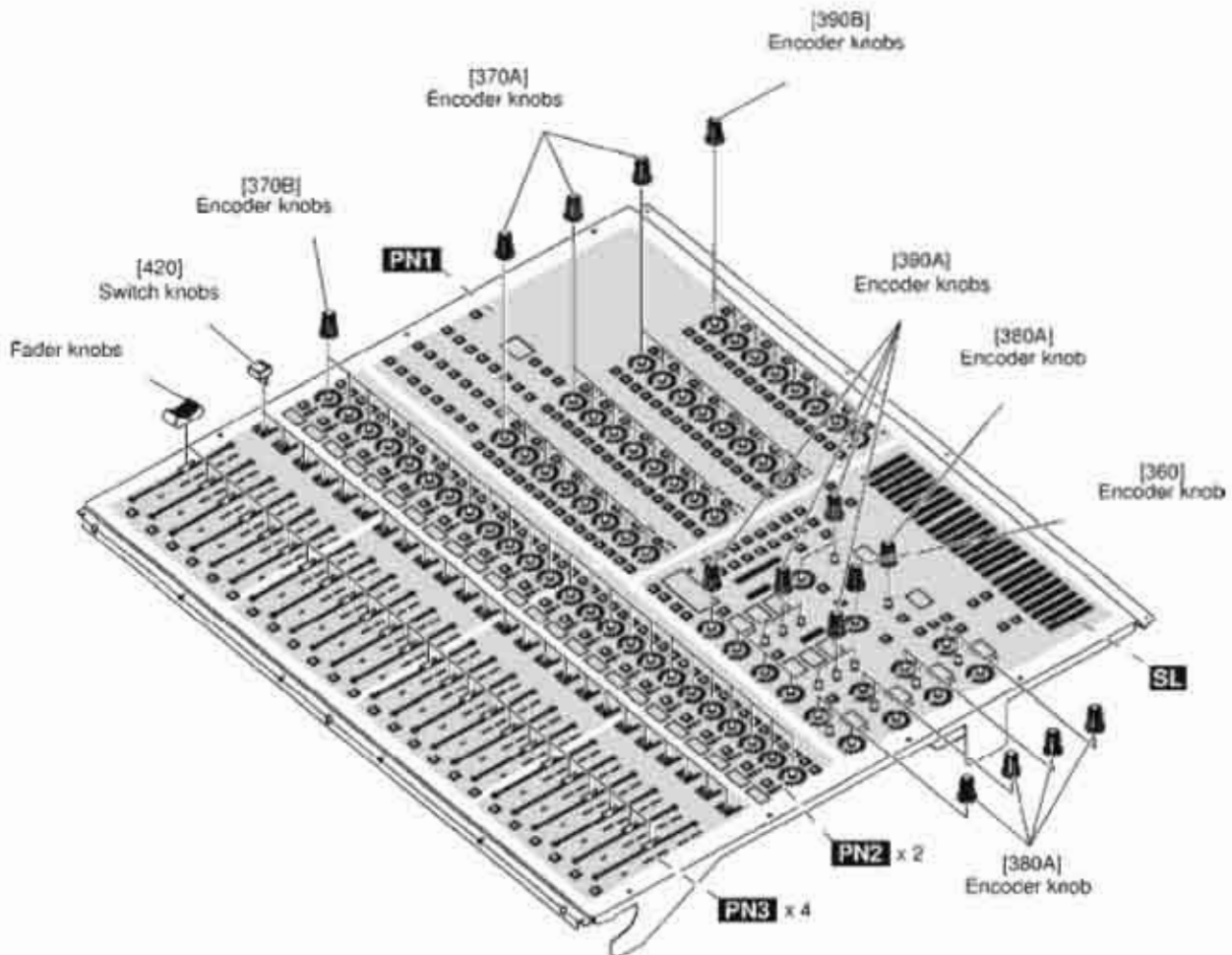


Fig. 23

B-5-2. FDA Circuit Board, FDB Circuit Board
(Time required : About 14 minutes)

B-5-2-1. Remove the fourteen (14) screws marked [330B]. The CP1 reinforcement angle 2 can then be removed. (Fig. 24)

B-5-2-2. Remove the six (6) screws marked [330C] and the ten (10) screws marked [320A]. The CP1 reinforcement angle 6 can then be removed. (Fig. 24)

B-5-2-3. The FDA or FDB circuit boards can then be removed. (Fig. 24)

* **After replacing the FDA or FDB circuit board, please calibrate the faders. (See page 192.)**

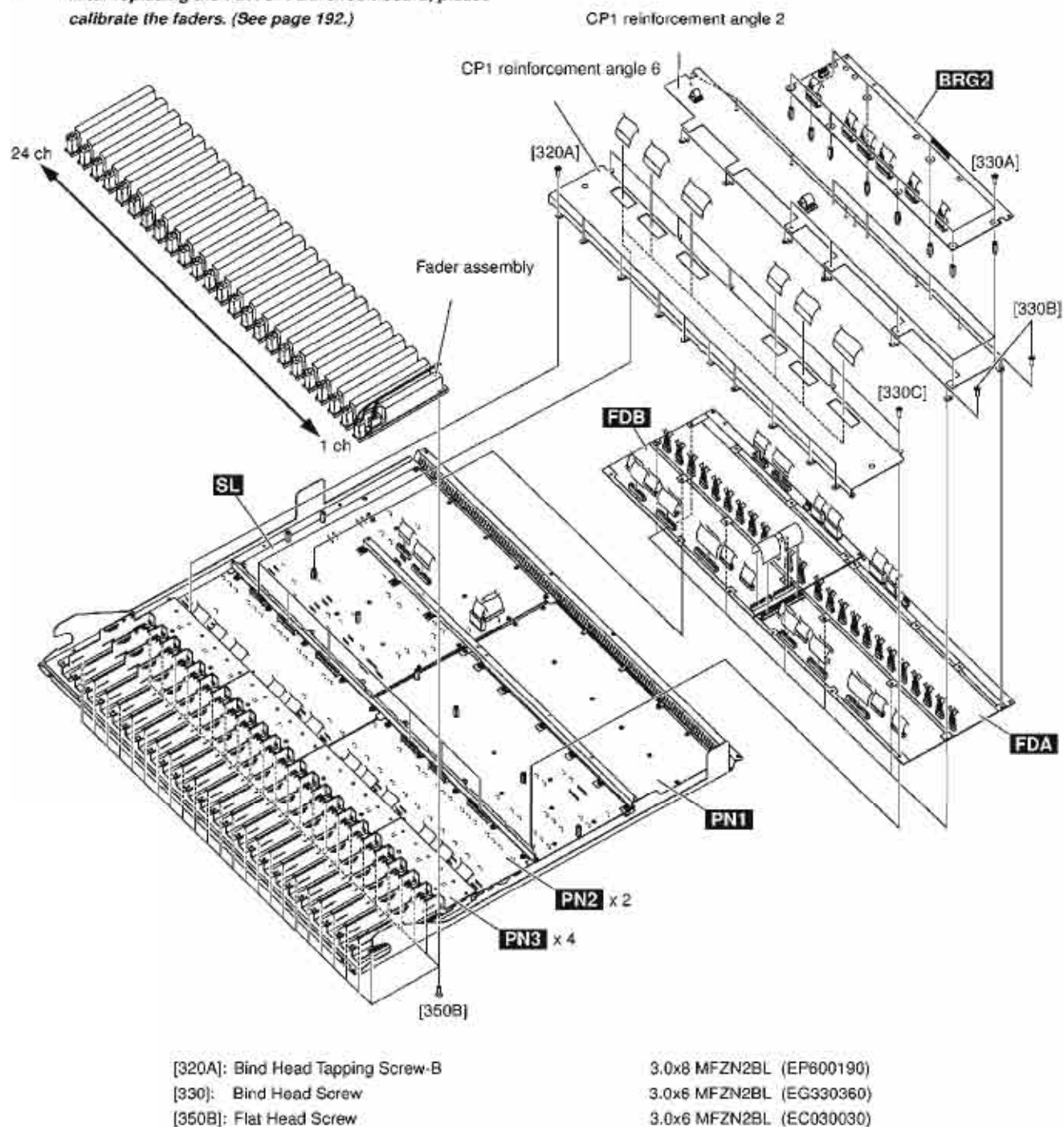


Fig. 24

B-6. SL Circuit Board, PN1 Circuit Board

(Time required : About 19 minutes each)

- B-6-1. Remove the BRG2, FDA and FDB circuit boards.
(See procedure B-5)
- B-6-2. Remove the two (2) screws marked [320B]. The CP1 reinforcement angle 7 can then be removed. (Fig. 25)
- B-6-3. Remove the nine (9) screws marked [320C]. The CI reinforcement angle 10 can then be removed. (Fig. 25)
- B-6-4. SL Circuit Board**
 - B-6-4-1. Remove the thirteen (13) encoder knobs marked [380A], the twelve (12) encoder knobs marked [390A] and the encoder knob marked [360] from the control panel side. (Fig. 23)
 - B-6-4-2. Remove the twelve (12) screws marked [320D], the six (6) screws marked [330D] and the four (4) spacers marked [340A]. The SL circuit board can then be removed. (Fig. 25)
- B-6-5. PN1 Circuit Board**
 - B-6-5-1. Remove the twenty-four (24) encoder knobs marked [370A] and the eight (8) encoder knobs marked [390B] from the control panel side. (Fig. 23)
 - B-6-5-2. Remove the thirteen (13) screws marked [320E], the seven (7) screws marked [330E] and the four (4) spacers marked [340B]. The PN1 circuit board can then be removed. (Fig. 25)

B-7. PN2 Circuit Board

(Time required : About 15 minutes)

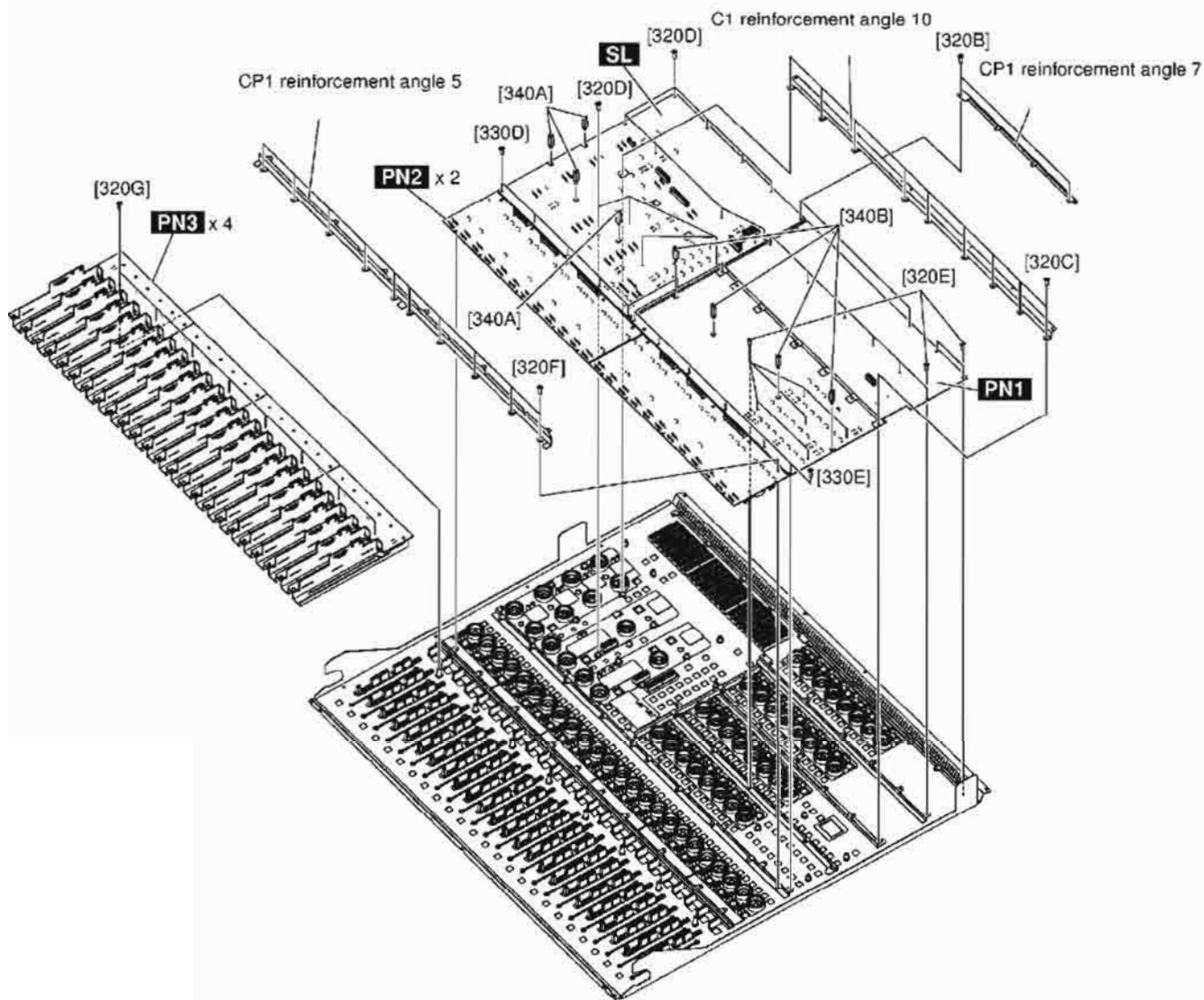
- B-7-1. Remove the twenty-four (24) encoder knobs marked [370B] from the control panel side. (Fig. 23)
- B-7-2. Remove the CP1 reinforcement angle 6.
(See procedure B-5-2-2)
- B-7-3. Remove the ten (10) screws marked [320F]. The CP1 reinforcement angle 5 can then be removed. (Fig. 25)
- B-7-4. The PN2 circuit board can then be removed. (Fig. 25)

B-8. PN3 Circuit Board

(Time required : About 16 minutes)

- B-8-1. Remove the six (6) fader knobs from the control panel side. (Fig. 23)
- B-8-2. Remove the six (6) fader assemblies.
(See procedure B-4)
- B-8-3. Remove the two (2) screws marked [320G]. The PN3 circuit board can then be removed. (Fig. 25)
- B-8-4. Remove the twelve (12) screws marked [40A]. The six (6) fader angles can then be removed from the PN3 circuit board. (Fig. 26)
- B-8-5. Remove the six (6) switch knobs marked [420] and the six (6) switch knobs marked [30A] from the PN3 circuit board. (Fig. 23, Fig. 26)

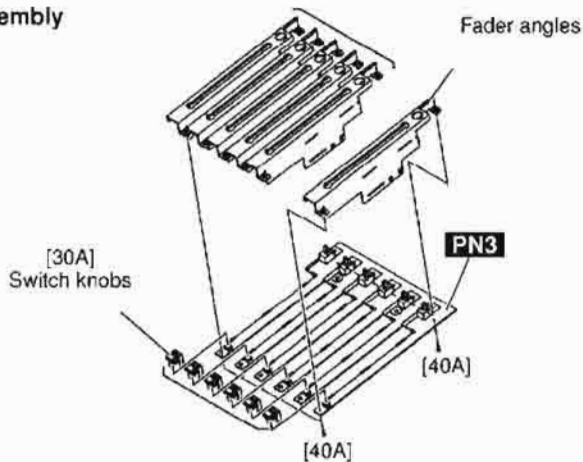
* *There is a total of four (4) PN3 circuit boards, and they can all be removed in this way.*



- | | | |
|--------|---------------------------|--------------------------|
| [320]: | Bind Head Tapping Screw-B | 3.0x8 MFZN2BL (EP600190) |
| [330]: | Bind Head Screw | 3.0x6 MFZN2BL (EG330360) |
| [340]: | Spacer | (VY711600) |

Fig. 25

● PN3 Assembly



- | | | |
|--------|---------------------------|--------------------------|
| [40A]: | Bind Head Tapping Screw-B | 3.0x6 MFZN2BL (EP600230) |
|--------|---------------------------|--------------------------|

Fig. 26

C. Disassembly Procedure of Panel 2 Assembly

- C-1. Remove the control panel 3. (See procedure 1)
- C-2. Remove the name plate. (See procedure 2)
- C-3. Fasten the panel 2 assembly. (See procedure 3)

C-4. LCD Assembly

(Time required : About 10 minutes)

- C-4-1. Remove the three (3) button bolts marked [550B]. The LCD angle 3 can then be removed. (Fig. 27)
- C-4-2. Remove the four (4) screws marked [510A]. The earth film plate can then be removed. (Fig. 27)
- C-4-3. Remove the four (4) screws marked [560B]. The LCD assembly can then be removed. (Fig. 27)
- C-4-4. Remove the two (2) screws marked [505]. The ball catch can then be removed from the LCD assembly. (Fig. 27)

C-5. PHN1 Circuit Board

(Time required : About 9 minutes)

- C-5-1. Remove the two (2) screws marked [500B] and the screw marked [510B]. The PHN1 circuit board can then be removed. (Fig. 27)
- C-5-2. Remove the hexagonal nut marked [700A]. The CP2 angle 5 can then be removed from the PHN1 circuit board. (Fig. 27)

C-6. TB Circuit Board

(Time required : About 9 minutes)

Remove the two (2) screws marked [680] and the screw marked [510C]. The TB circuit board can then be removed. (Fig. 27)

C-7. CUVOL Circuit Board, MNVOL Circuit Board, TBVOL Circuit Board

(Time required : About 9 minutes each)

C-7-1. MNVOL Circuit Board

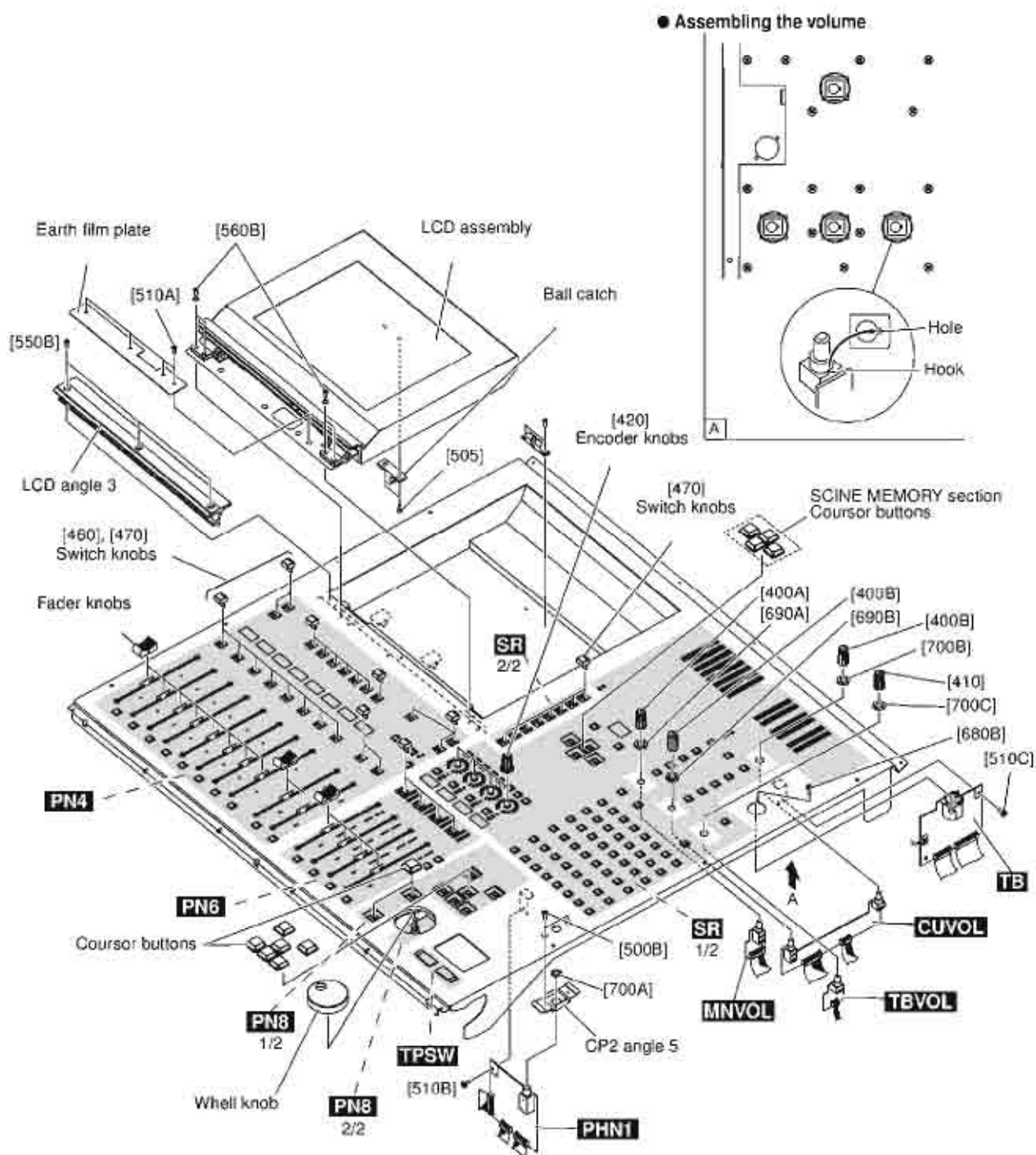
- C-7-1-1. Remove the knob (large) marked [400A] from the control panel side. (Fig. 27)
- C-7-1-2. Remove the hexagonal nut marked [690A]. The MNVOL circuit board can then be removed. (Fig. 27)

C-7-2. CUVOL Circuit Board

- C-7-2-1. Remove the two (2) knobs (large) marked [400B] from the control panel side. (Fig. 27)
- C-7-2-2. Remove the hexagonal nut marked [690B] and the hexagonal nut marked [700B]. The CUVOL circuit board can then be removed. (Fig. 27)

C-7-3. TBVOL Circuit Board

- C-7-3-1. Remove the knob (large) marked [410] from the control panel side. (Fig. 27)
- C-7-3-2. Remove the hexagonal nut marked [700C]. The TBVOL circuit board can then be removed. (Fig. 27)



- | | |
|-----------------------------------|-----------------------------|
| [500B]: Flat Head Screw | 3.0x6 MFZN2BL (EC030030) |
| [505]: Flat Head Screw | 2.6x6 MFZN2BL (EC020020) |
| [510]: Bind Head Tapping Screw-B | 3.0x8 MFZN2BL (EP600190) |
| [550B]: Button Bolt | 3.0x8 MFZN2BL (V6055300) |
| [560B]: Bind Head Screw | SP 4.0x12 MFZN2Y (VB764100) |
| [680B]: Bind Head Tapping Screw-B | 2.6x8 MFZN2BL (VB096700) |
| [690]: Hexagonal Nut | 7.0 11x2 MFZN2BL (VR991600) |
| [700]: Hexagonal Nut | 9.0 11x2 MFZN2BL (VJ388000) |

Fig. 27

C-8. Fader Assembly

(Time required : About 10 minutes each)

C-8-1. Remove the fader knob from the control panel side.
(Fig. 27)

C-8-2. Remove the two (2) screws marked [500C]. The fader assembly can then be removed. (Fig. 28)

- * *There is a total of fourteen (14) fader assemblies, and they can all be removed in this way.*
- * *After replacing the fader assembly, please calibrate the faders. (See page 192.)*

C-9. BRG3 Circuit Board, FDC Circuit Board

(Time required : About 9 minutes each)

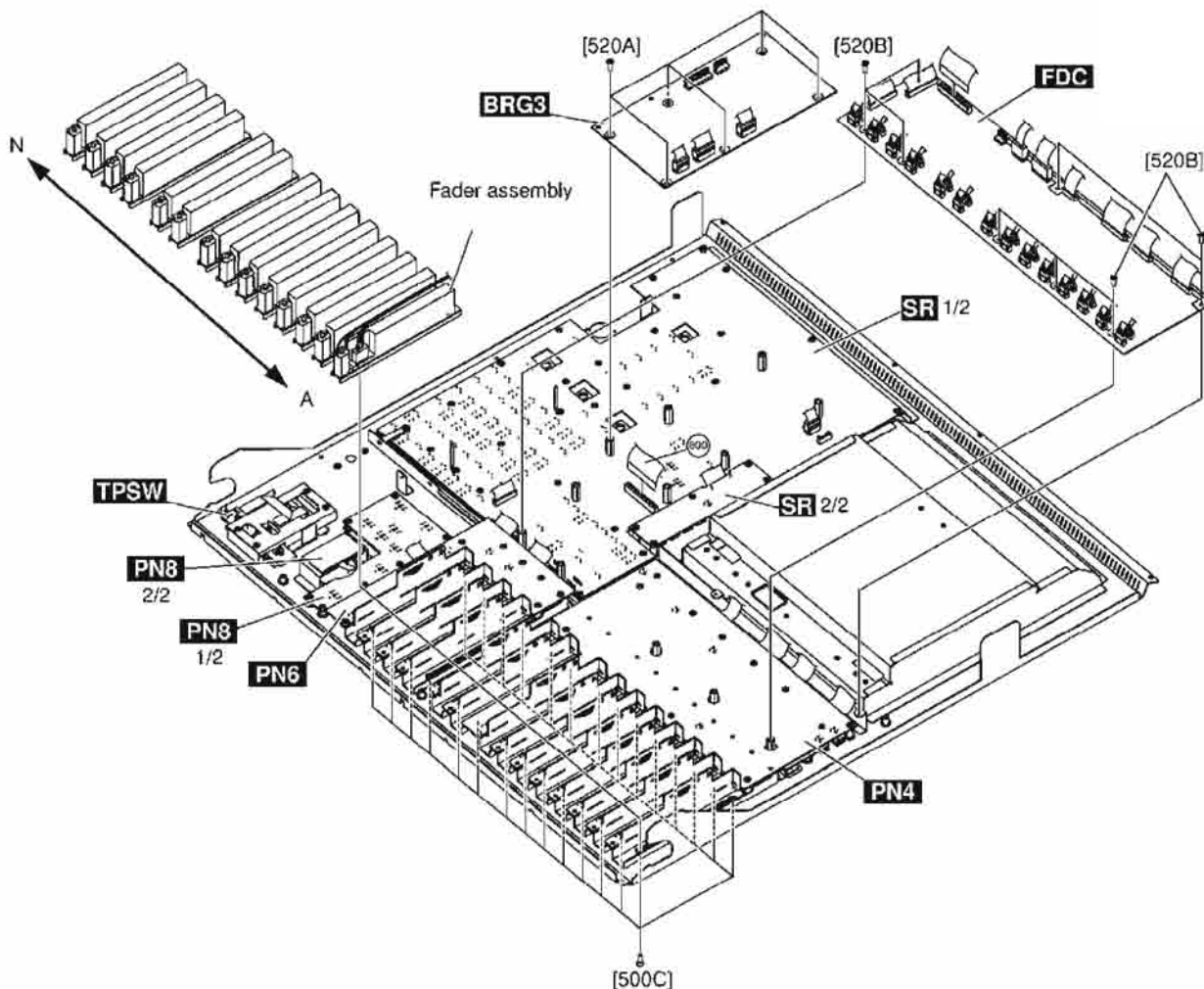
C-9-1. BRG3 Circuit Board

C-9-1-1. Remove the six (6) screws marked [520A]. The BRG3 circuit board can then be removed. (Fig. 28)

C-9-2. FDC Circuit Board

C-9-2-1. Remove the eight (8) screws marked [520B]. The FDC circuit board can then be removed. (Fig. 28)

- * *After replacing the FDC circuit board, please calibrate the faders. (See page 192.)*



[500C]: Flat Head Screw
[520]: Bind Head Screw

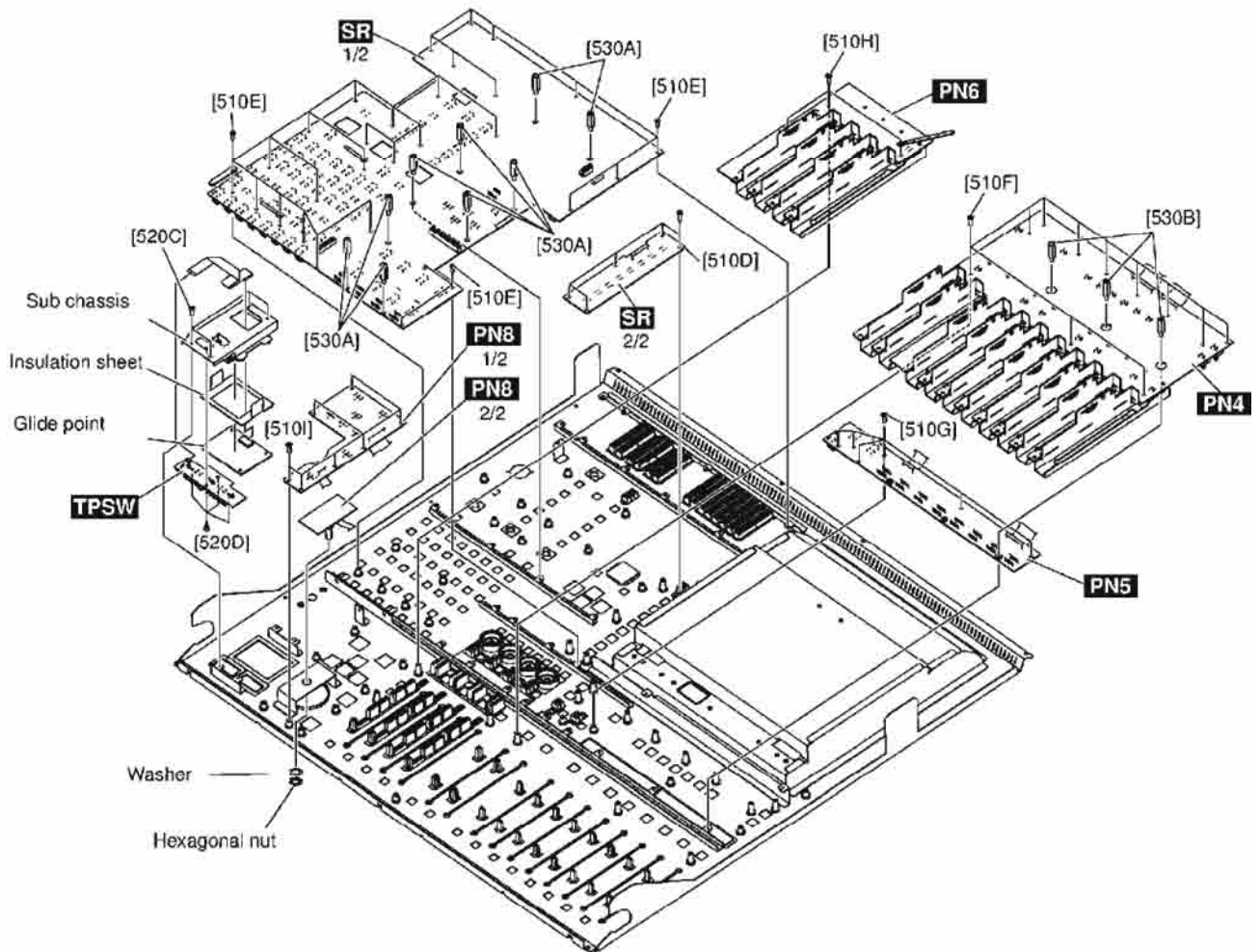
3.0x6 MFZN2BL (EC030030)
3.0x6 MFZN2BL (EG330360)

Fig. 28

C-10. SR Circuit Board

(Time required : About 18 minutes)

- C-10-1. Remove the BRG3 and FDC circuit boards.
(See procedure C-9)
- C-10-2. Remove the TB circuit board. (See procedure C-3)
- C-10-3. Remove the MNVOL, CUVOL and TBVOL circuit boards. (See procedure C-7)
- C-10-4. Remove the five (5) screws marked [510D]. The SR 2/2 circuit board can then be removed. (Fig. 29)
- C-10-5. Remove the eight (8) switch knobs marked [470] from the SR 2/2 circuit board. (Fig. 27)
- C-10-6. Remove the four (4) encoder knobs marked [420] from the control panel side. (Fig. 27)
- C-10-7. Remove the twenty-eight (28) screws marked [510E] and the nine (9) spacers marked [530A]. The SR 1/2 circuit board can then be removed. (Fig. 29)
- C-10-8. Remove the four (4) cursor buttons in the SCENE MEMORY section from the SR 1/2 circuit board. (Fig. 27)



[510]: Blind Head Tapping Screw-B
 [520]: Blind Head Screw
 [530]: Spacer

3.0x8 MFZN2BL (EP600190)
 3.0x6 MFZN2BL (EG330360)
 (VY711600)

Fig. 29

C-11. PN4 Circuit Board, PN5 Circuit Board

C-11-1. Remove the ten (10) fader knobs from the control panel side. (Fig. 27)

C-11-2. Remove the ten (10) fader assemblies. (See procedure C-8)

C-11-3. Remove the FDC circuit board. (See procedure C-9)

C-11-4. PN4 Circuit Board

(Time required : About 15 minutes)

C-11-4-1. Remove the eleven (11) screws marked [510F]. The PN4 circuit board can then be removed. (Fig. 29)

C-11-4-2. Remove the twenty (20) screws marked [40B]. The ten (10) fader angles can then be removed from the PN4 circuit board. (Fig. 30)

C-11-4-3. Remove the twenty-two (22) switch knobs marked [460], [470] and the ten (10) switch knobs marked [30B] from the PN4 circuit board. (Fig. 27, Fig. 30)

C-11-5. PN5 Circuit Board

(Time required : About 16 minutes)

C-11-5-1. Remove the six (6) screws marked [510G] and the three (3) spacers marked [530B]. The PN5 circuit board can then be removed. (Fig. 29)

C-12. PN6 Circuit Board

(Time required : About 12 minutes)

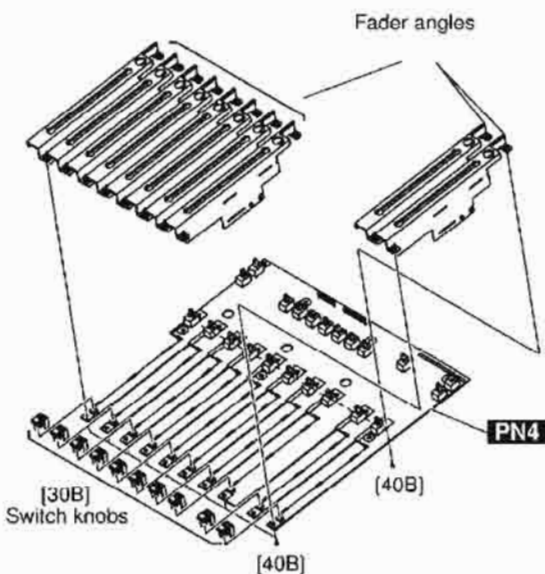
C-12-1. Remove the four (4) fader knobs from the control panel side. (Fig. 27)

C-12-2. Remove the four (4) fader assemblies. (See procedure C-8)

C-12-3. Remove the three (3) screws marked [510H]. The PN6 circuit board can then be removed. (Fig. 29)

C-12-4. Remove the eight (8) screws marked [40C]. The four (4) fader angles can then be removed from the PN6 circuit board. (Fig. 31)

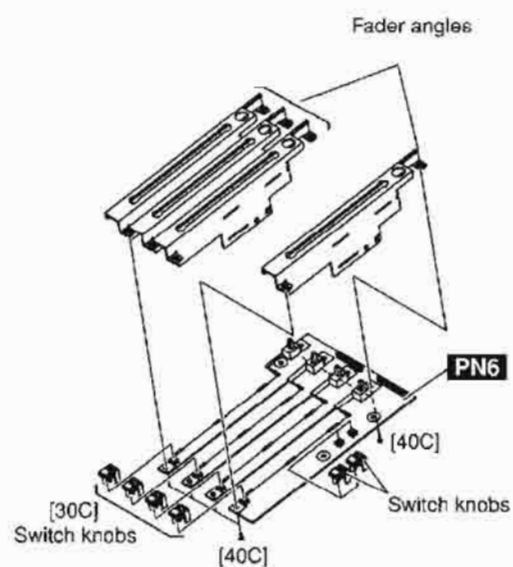
● **PN4 Assembly**



[40B]: Bind Head Tapping Screw-B 3.0x6 MFZN2BL (EP600230)

Fig. 30

● **PN6 Assembly**



[40C]: Bind Head Tapping Screw-B 3.0x6 MFZN2BL (EP600230)

Fig. 31

C-12-5. Remove the four (4) switch knobs marked [460] and the six (6) switch knobs marked [30C] from the PN6 circuit board. (Fig. 27, Fig. 31)

C-13. PN8 Circuit Board

(Time required : About 9 minutes)

C-13-1. PN8 2/2 Circuit Board

C-13-1-1. Remove the wheel knob from the control panel side. (Fig. 27)

C-13-1-2. Remove the hexagonal nut and washer. The PN8 2/2 circuit board can then be removed. (Fig. 29)

C-13-2. PN8 1/2 Circuit Board

C-13-2-1. Remove the seven (7) screws marked [510]. The PN8 1/2 circuit board can then be removed. (Fig. 29)

C-13-2-2. Remove the eight (8) cursor buttons from the PN8 1/2 circuit board. (Fig. 27)

C-14. TPSW Circuit Board, Glide Point

(Time required : About 10 minutes)

C-14-1. Remove the four (4) screws marked [520C]. The TPSW circuit board can then be removed. (Fig. 29)

C-14-2. Remove the four (4) screws marked [520D] to remove the sub-chassis from the TPSW circuit board. (Fig. 29)

* *When the TPSW circuit board is removed, the glide point is removed as well.*

D. Disassembly Procedure of LCD Assembly

D-1. Remove the LCD assembly. (See procedure C-4)

D-2. DC-AC Inverter

(Time required : About 6 minutes)

D-2-1. Remove the sixteen (16) screws marked [130]. The LCD case (rear) can then be removed. (Fig. 32)

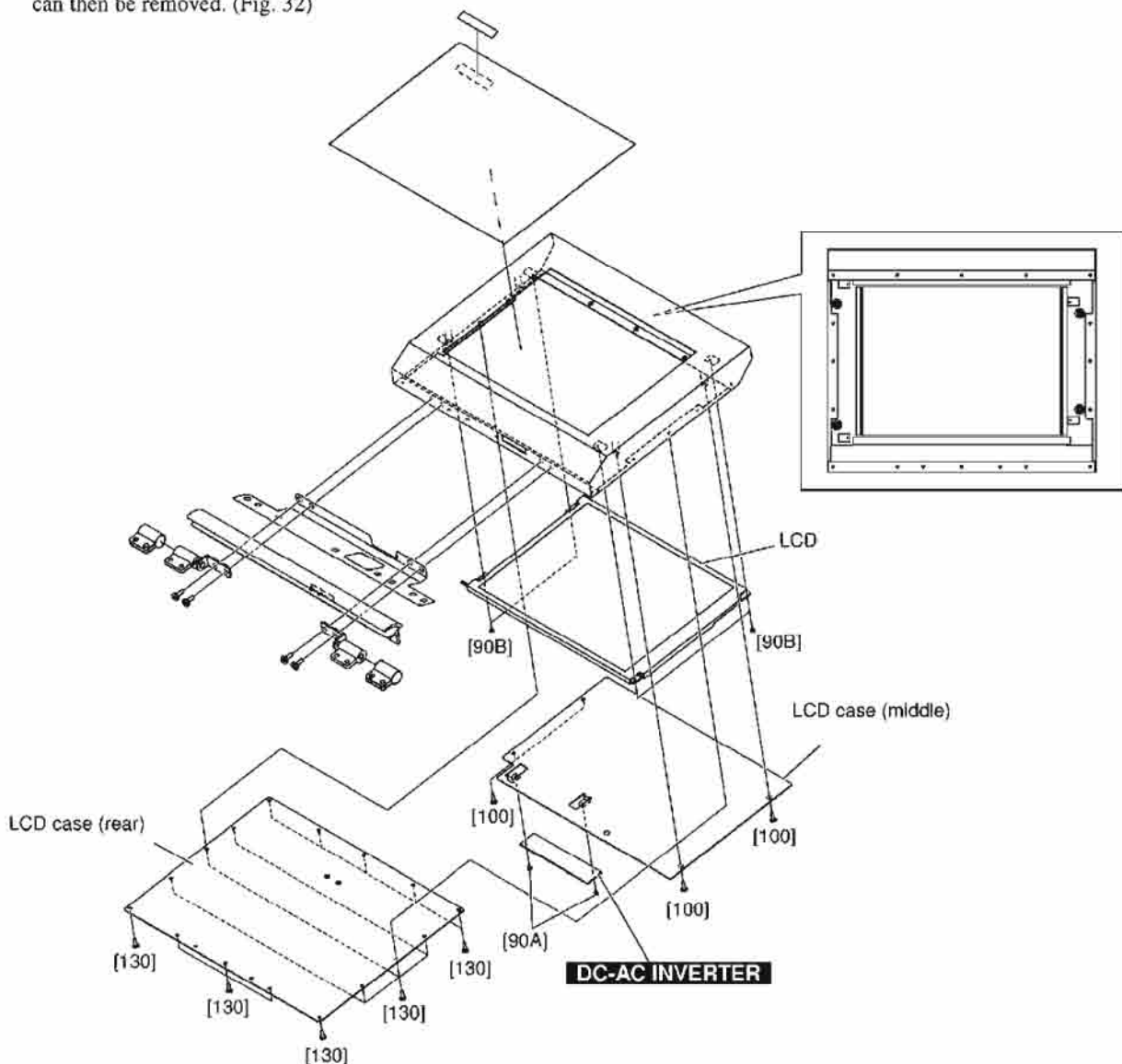
D-2-2. Remove the two (2) screws marked [90A]. The DC-AC inverter can then be removed. (Fig. 32)

D-3. LCD (Time required : About 7 minutes)

D-3-1. Remove the sixteen (16) screws marked [130]. The LCD case (rear) can then be removed. (Fig. 32)

D-3-2. Remove the four (4) screws marked [100]. The LCD case (middle) can then be removed. (Fig. 32)

D-3-3. Remove the four (4) screws marked [90B]. The LCD can then be removed. (Fig. 32)



[90]: Bind Head Screw
 [100]: Bind Head Screw
 [130]: Bind Head Tapping Screw-B

2.0x3 MFZN2Y (VQ717600)
 3.0x6 MFZN2BL (EG330360)
 3.0x6 MFZN2BL (EP600230)

E. Disassembly Procedure of Rear Top 1 Assembly (PM5D)

E-1. Remove the control panel 3. (See procedure 1)

E-2. Remove the name plate. (See procedure 2)

E-3. Fasten the applicable panel assembly. (See procedure 3)

E-4. AD1 Circuit Board, ANI1 Circuit Boards

E-4-1. Remove the twelve (12) knobs (small), the twenty-four (24) push buttons and the twelve (12) slide knobs from the shield 1 (top) side. (Fig. 33)

E-4-2. Remove the four (4) screws marked [60A] and the twelve (12) hexagonal nuts marked [80A]. The shield 1 (top) can then be removed. (Fig. 33)

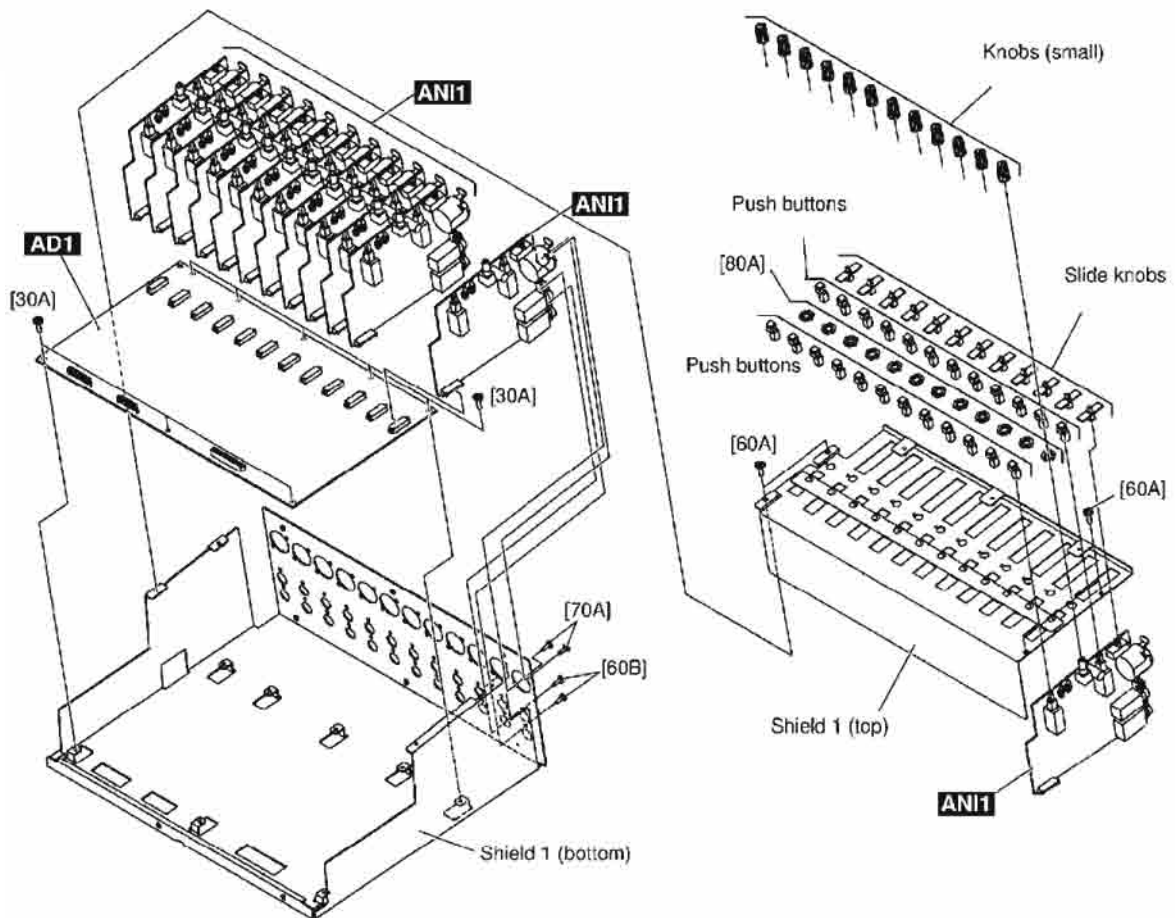
E-4-3. ANI1 Circuit Board (Time required : About 14 minutes)

E-4-3-1. Remove the two (2) screws marked [60B] and the two (2) screws marked [70A]. The ANI1 circuit board can then be removed. (Fig. 33)

E-4-4. AD1 Circuit Board (Time required : About 22 minutes)

E-4-4-1. Remove the twenty-four (24) screws marked [60B] and the twenty-four (24) screws marked [70A]. The twelve (12) ANI1 circuit boards can then be removed. (Fig. 33)

E-4-4-2. Remove the eight (8) screws marked [30A]. The AD1 circuit board can then be removed. (Fig. 33)



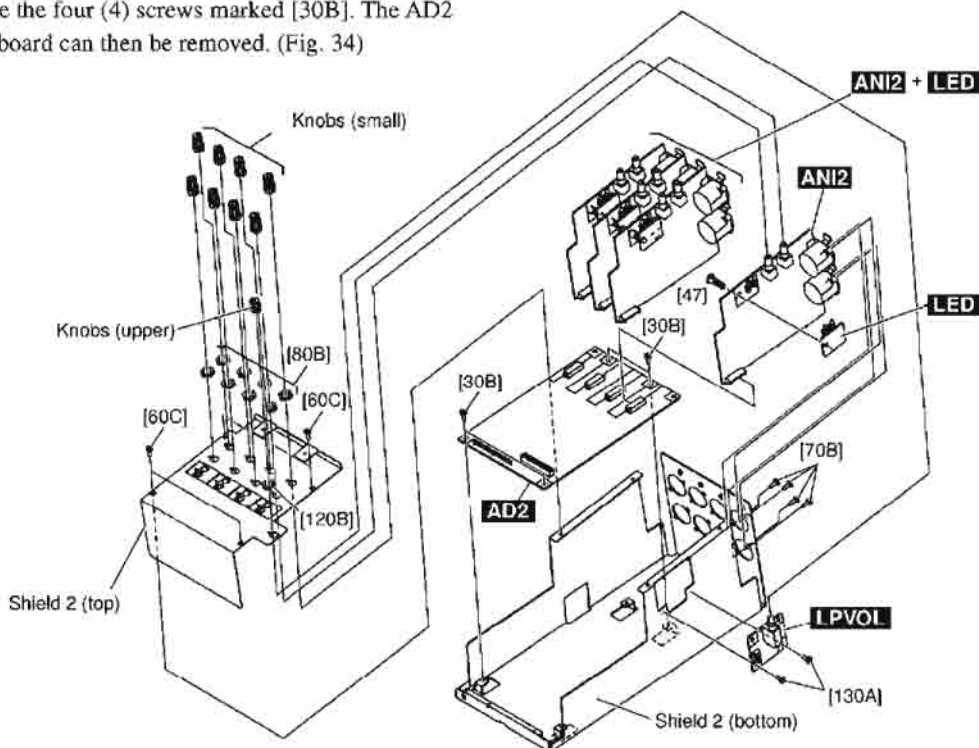
[30A]: Bind Head Tapping Screw-B
 [60]: Bonding Tapping Screw-B
 [70A]: Bind Head Tapping Screw-B
 [80A]: Hexagonal Nut

3.0x6 MFZN2BL (EP600230)
 3.0x8 MFZN2BL (VN413300)
 2.6x8 MFZN2BL (VB096700)
 7.0 11x2 MFZN2BL (VR991600)

Fig. 33

F. Disassembly Procedure of Rear Top 2 Assembly (PM5D)

- F-1. Remove the control panel 3. (See procedure 1)
- F-2. Remove the name plate. (See procedure 2)
- F-3. Fasten the panel 2 assembly. (See procedure 3)
- F-4. AD2 Circuit Board, ANI2 Circuit Boards, LED Circuit Boards, LPVOL Circuit Board**
- F-4-1. **LPVOL Circuit Board (Time required : About 9 minutes)**
- F-4-1-1. Remove the knob (upper) and the hexagonal nut marked [120B] from the shield 2 (top) side. (Fig. 34)
- F-4-1-2. Remove the two (2) screws marked [130A]. The LPVOL circuit board can then be removed. (Fig. 34)
- F-4-2. Remove the eight (8) knobs (small), four (4) screws marked [60C] and the eight (8) hexagonal nuts marked [80B] from the shield 2 (top) side. The shield 2 (top) can then be removed. (Fig. 34)
- F-4-3. **ANI2 Circuit Board (Time required : About 11 minutes)**
- F-4-3-1. Remove the four (4) screws marked [70B]. The ANI2 circuit board can then be removed. (Fig. 34)
- F-4-4. **LED Circuit Board (Time required : About 12 minutes)**
- F-4-4-1. Remove the locking card spacer marked [47]. The LED circuit board can then be removed from the ANI2 circuit board. (Fig. 34)
- F-4-5. **AD2 Circuit Board (Time required : About 14 minutes)**
- F-4-5-1. Remove the sixteen (16) screws marked [70B]. The four (4) ANI2 circuit boards can then be removed. (Fig. 34)
- F-4-5-2. Remove the four (4) screws marked [30B]. The AD2 circuit board can then be removed. (Fig. 34)



- | | |
|-----------------------------------|-----------------------------|
| [30B]: Bind Head Tapping Screw-B | 3.0x6 MFZN2BL (EP600230) |
| [47]: Locking Card Spacer | (VF950800) |
| [60C]: Bonding Tapping Screw-B | 3.0x8 MFZN2BL (VN413300) |
| [70B]: Bind Head Tapping Screw-B | 2.6x8 MFZN2BL (VB096700) |
| [80B]: Hexagonal Nut | 7.0 11x2 MFZN2BL (VR991600) |
| [120B]: Hexagonal Nut | 7.0 11x2 MFZN2BL (VR991600) |
| [130A]: Bind Head Tapping Screw-B | 3.0x6 MFZN2BL (EP600230) |

Fig. 34

G. Disassembly Procedure of Rear Top 1/Rear Top 3 Assembly R (PM5D-RH)

- G-1. Remove the control panel 3. (See procedure 1)
- G-2. Remove the name plate. (See procedure 2)
- G-3. Fasten the applicable panel assembly. (See procedure 3)

G-4. AD3 Circuit Boards, LD Circuit Board

G-4-1. LD Circuit Board (Time required : About 9 minutes)

G-4-1-1. Remove the six (6) screws marked [90A]. The LD circuit board can then be removed. (Fig. 35)

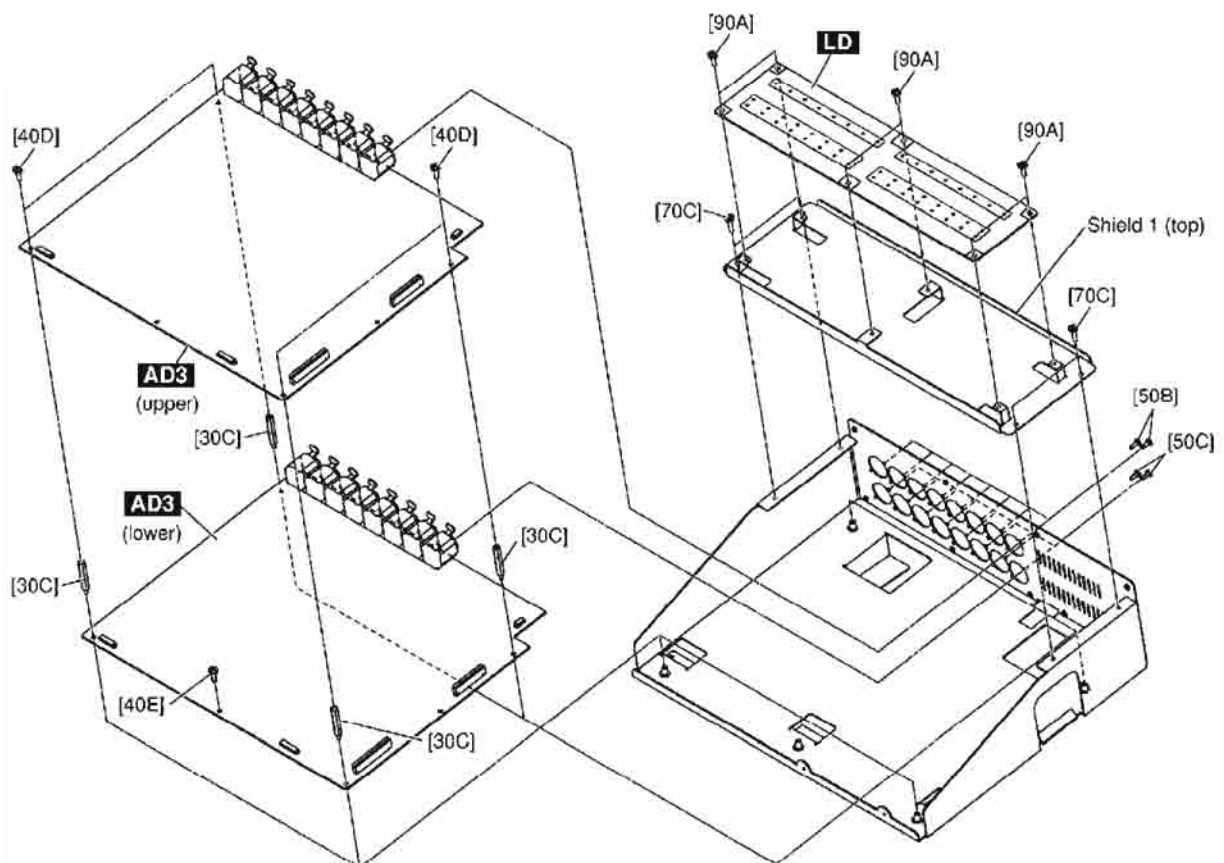
G-4-2. Remove the four (4) screws marked [70C]. The shield 1 (top) can then be removed. (Fig. 35)

G-4-3. AD3 (upper) Circuit Board (Time required : About 12 minutes)

G-4-3-1. Remove the sixteen (16) screws marked [50B] and the four (4) screws marked [40D]. The AD3 circuit board (upper) can then be removed. (Fig. 35)

G-4-4. AD3 (lower) Circuit Board (Time required : About 15 minutes)

G-4-4-1. Remove the sixteen (16) screws marked [50C], the four (4) spacers marked [30C] and the screw marked [40E]. The AD3 circuit board (lower) can then be removed. (Fig. 35)



- | | | |
|--------|---------------------------|--------------------------|
| [30C]: | Spacer | (WC390400) |
| [40]: | Bind Head Screw | 3.0x6 MFZN2BL (EG330360) |
| [50]: | Bind Head Tapping Screw-B | 2.6x8 MFZN2BL (VB096700) |
| [70C]: | Bonding Tapping Screw-B | 3.0x8 MFZN2BL (VN413300) |
| [90A]: | Bind Head Tapping Screw-B | 3.0x6 MFZN2BL (EP600230) |

Fig. 35

H. Disassembly Procedure of Rear Top 2 Assembly R (PM5D-RH)

H-1. Remove the control panel 3. (See procedure 1)

H-2. Remove the name plate. (See procedure 2)

H-3. Fasten the panel 2 assembly. (See procedure 3)

H-4. AD3 Circuit Board, LPVOL Circuit Board, STLD Circuit Board, SW48 Circuit Board

H-4-1. STLD Circuit Board

(Time required : About 9 minutes)

H-4-1-1. Remove the four (4) screws marked [160B]. The STLD circuit board can then be removed. (Fig. 36)

H-4-2. LPVOL Circuit Board

(Time required : About 9 minutes)

H-4-2. Remove the knob (upper) and the hexagonal nut marked [130B] from the shield 2 (top) side. The LPVOL circuit board can then be removed. (Fig. 36)

H-4-3. SW48 Circuit Board

(Time required : About 9 minutes)

H-4-3-1. Remove the two (2) screws marked [90B]. The SW48 circuit board can then be removed. (Fig. 36)

H-4-3-2. Remove the two (2) screws marked [80C]. The SW angle can then be removed from the SW48 circuit board. (Fig. 36)

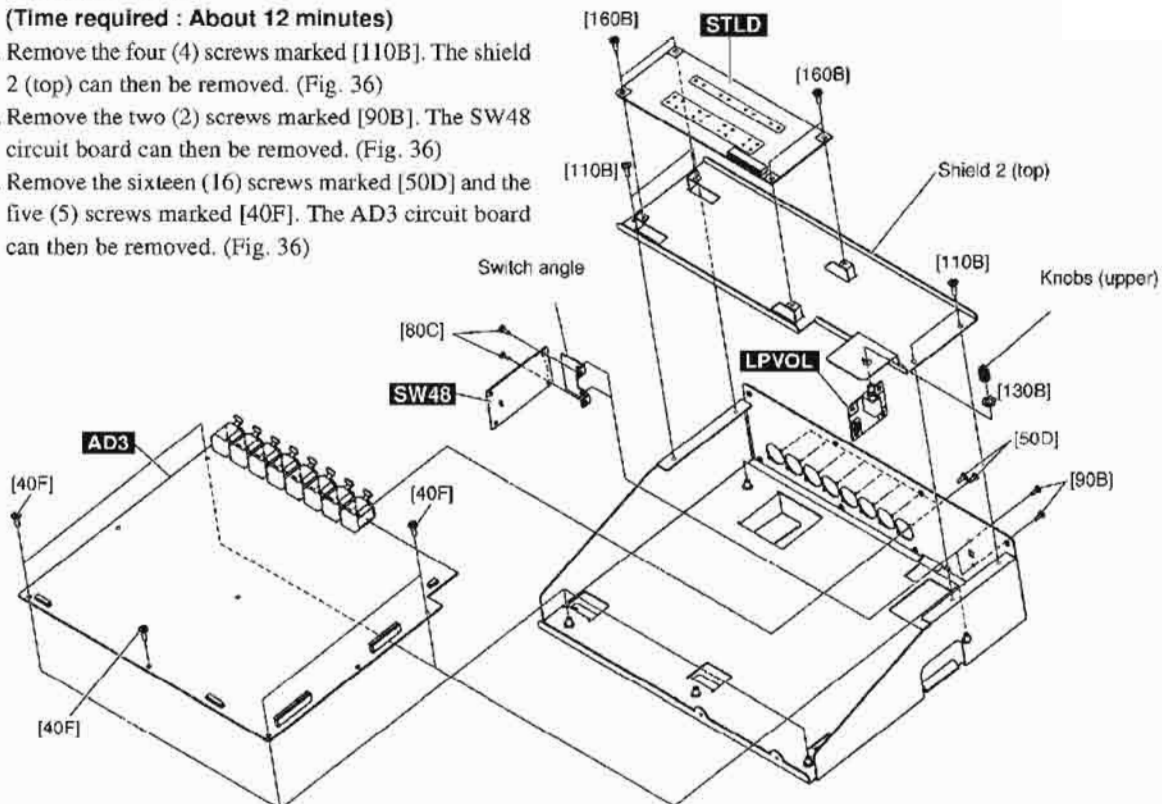
H-4-4. AD3 Circuit Board

(Time required : About 12 minutes)

H-4-4-1. Remove the four (4) screws marked [110B]. The shield 2 (top) can then be removed. (Fig. 36)

H-4-4-2. Remove the two (2) screws marked [90B]. The SW48 circuit board can then be removed. (Fig. 36)

H-4-4-3. Remove the sixteen (16) screws marked [50D] and the five (5) screws marked [40F]. The AD3 circuit board can then be removed. (Fig. 36)



[40F]: Bind Head Screw
 [50D]: Bind Head Tapping Screw-B
 [80C]: Bind Head Tapping Screw-B
 [90B]: Bonding Tapping Screw-B
 [110B]: Bonding Tapping Screw-B
 [130B]: Hexagonal Nut
 [160B]: Bind Head Tapping Screw-B

3.0x6 MFZN2BL (EG330360)
 2.6x8 MFZN2BL (VB096700)
 3.0x6 MFZN2BL (EP600230)
 3.0x8 MFZN2BL (VN413300)
 3.0x8 MFZN2BL (VN413300)
 7.0 11x2 MFZN2BL (VR991600)
 3.0x6 MFZN2BL (EP600230)

LSI PIN DESCRIPTION

SGH603064F-62F (XV973A00) GATE ARRAY	71
HD6417709SF133 (X2081A00) CPU (SH-3).....	72
M37641M8-141FP (X2485200) CPU (USB 32K)	73
HD6437042AF28 (XY715A00) CPU	74
HD6437042AF53 (XY721A00) CPU	74
XC9572XL-10TQ100C(X4765A00) CPLD	75
XC9572XL-10TQ100C(X4765B00) CPLD	75
MSM82C51A-2GS-KR1 (XV513A00) USART (Universal Synchronous Asynchronous Receiver Transmitter)..	75
YSS910-V (XV988B00) DSP6 (Digital Signal Processor).....	76
YSS919B-H (XZ693B00) DSP7 (Digital Signal Processor)	77
S1L51252F32S000 (X3775A00) PLLP2 (Gate Array)	78
MBCG61594-130 (X3299A00) ATSC2A	79
S1C37120F00A000 (XW790A00) MULTI FUNCTION BUFFER	80
S1D13704F00A100 (X3498A00) LCDC (LCD Controller)	81
YM3436D-FZ (XG948E00) DIR2 (Digital Format Interface Receiver).....	81
SN75LVDS84ADGGR (X4212A00) LVDS TRANSMITTERS	82
CS8420 (XW559B00) SRC (Sample Rate Converter)	82
AK4393VF-E2 (XW029A00) DAC (Digital to Analog Converter)	82
ICS2008BV-T (X2832B00) T.C.READER/GENERATOR	83
AK5393VS-E2 (XZ298A00) ADC (Analog to Digital Converter)	83
AK5385AVS-E2 (X4662A00) ADC (Analog to Digital Converter).....	83

FDA: IC26
 FDB: IC526
 PN1: IC100, 101
 SL: IC150, 901
 SR: IC901

● SGH603064F-62F (XV973A00) GATE ARRAY

PIN NO.	NAME	I/O	FUNCTION	PIN NO.	NAME	I/O	FUNCTION
1	RA1		Encoder input	33	D0	O	Data bus
2	RB1			34	D1	O	
3	RA2			Ground	35	Vss	O
4	RB2		36		D2	O	Data bus
5	Vss		Encoder input	37	D3	O	
6	RA3			Ground	38	Vss	O
7	RB3		Encoder input		39	D4	O
8	RA4			Ground	40	D5	O
9	RB4		Encoder input		41	Vss	O
10	Vss			Ground	42	D6	O
11	RA5		Encoder input		43	D7	O
12	RB5			Ground	44	Vss	O
13	RA6		Encoder input		45	NC	
14	RB6			Ground	46	NC	
15	Vss		Encoder input		47	RA9	
16	RA7			Encoder input	48	RB9	
17	RB7		Ground		49	RA10	
18	RA8			Encoder input	50	RB10	
19	RB8		Address bus		51	RA11	
20	A0			Address bus	52	RB11	
21	A1		Ground		53	RA12	
22	A2			Encoder input	54	RB12	
23	Vss		Ground		55	RA13	
24	RDN			Read	56	RB13	
25	CSN		Chip select		57	RA14	
26	Vpp			Power supply +5V	58	Vcc	
27	ASN		Address strobe		59	RB14	
28	AGN			Address bus	60	RA15	
29	SEL		Bus select		61	RB15	
30	NC			Not used	62	RA16	
31	NC		Not used		63	RB16	
32	NC			Not used	64	Vss	

● HD6417709SF133 (X2081A00) CPU (SH3)

MAIN: IC6

PIN NO.	NAME	I/O	FUNCTION	PIN NO.	NAME	I/O	FUNCTION	
1	MD1	I	Mode control	105	CKE/PTK5	I/O	CK enable / Port K	
2	MD2	I		106	RASSU/PTJ0	I/O	RAS address bus / Port J	
3	Vcc(RTC)	-		107	PTJ1	I/O	Port J	
4	X1AL2	O	Crystal oscillator	108	CASLU/PTJ2	I/O	CAS address bus / Port J	
5	EXTAL2	I		109	VssQ	-	Ground	
6	Vss(RTC)	-	Ground	110	CASU/PTJ3	I/O	CAS address bus / Port J	
7	NMI	I		111	VccQ	-	Power supply +3.3 V	
8	IRQ0/PLPTH0	I	Interrupt request / Port H	112	PTJ4	I/O	Port J	
9	IRQ1/PLPTH1	I		113	PTJ5	I/O		
10	IRQ2/PLPTH2	I		114	DACK0/PTD5	I/O	DMA acknowledge / Port D	
11	IRQ3/PLPTH3	I		115	DACK1/PTD7	I/O		
12	IRQ4/PTH4	I		116	PTE6	I/O	Port E	
13	D31/PTB7	I/O	117	PTE5	I/O			
14	D30/PTB6	I/O	Data bus / Port B	118	RASSU/PTJ2	I/O	RAS address bus / Port E	
15	D29/PTB5	I/O		119	PTE1	I/O	Port E	
16	D28/PTB4	I/O		120	TDOV/PTJ0	I/O	Test data / Port E	
17	D27/PTB3	I/O		121	BACK	O	Bus acknowledge	
18	D26/PTB2	I/O		122	BREQ	I	Bus request	
19	VssQ	-	Ground	123	WAIT	I	Hardware wait request	
20	D25/PTB1	I/O		124	RESETM	I	Manual reset	
21	VccQ	-	Power supply +3.3 V	125	ADTRG/PTH5	I	Analog trigger / Port H	
22	D24/PTB0	I/O		126	IOIS16/PTG7	I	Write protect / Port G	
23	D23/PTA7	I/O	Data bus / Port A	127	ASEMD0/PTG6	I	ASE mode / Port G	
24	D22/PTA6	I/O		128	ASEBK4/PTG5	I/O	ASE break acknowledge / Port G	
25	D21/PTA5	I/O		129	P1G4/KK02	I/O	Port G / Clock output	
26	D20/PTA4	I/O		130	AUDATA3/PTG3	I/O		
27	Vss	-		131	AUDATA2/PTG2	I/O	AUD data / Port G	
28	D19/PTA3	I/O	Ground	132	Vss	-	Ground	
29	Vcc	-		133	AUDATA1/PTG1	I/O	AUD data / Port G	
30	D18/PTA2	I/O	Power supply +1.8 V	134	Vcc	-	Power supply +1.8 V	
31	D17/PTA1	I/O		135	AUDATA0/PTG0	I/O	AUD data / Port G	
32	D16/PTA0	I/O	Ground	136	TRSTP/PTH15	I	Test reset / Port F / Port interruption	
33	VssQ	-		137	TRSP/PTH14	I	Test mode switch / Port F / Port interruption	
34	D15	I/O		138	TRPT/PTH13	I	Test data / Port F / Port interruption	
35	VccQ	-		139	TRC/PTH12	I	Test clock / Port F / Port interruption	
36	D14	I/O		140	IRL2/PTH11	I	Interrupt request / Port F / Port interruption	
37	D13	I/O	141	IRL2PT3/PTH10	I			
38	D12	I/O	142	RLS1/PTH10	I			
39	D11	I/O	143	RLS2/PTH10	I			
40	D10	I/O	144	MDO	I	Mode control		
41	D9	I/O	Power supply +1.8 V	145	Vcc(PLL1)	-	Power supply +1.8 V	
42	D8	I/O		146	CAP1	-	Capacitor	
43	D7	I/O	Ground	147	Vss(PLL1)	-	Ground	
44	D6	I/O		148	Vss(PLL2)	-	Ground	
45	VssQ	-	Capacitor	149	CAP2	-	Capacitor	
46	D5	I/O		150	VCC(PLL2)	-	Power supply +1.8 V	
47	VccQ	-	Power supply +3.3 V	151	AUDCK/PTH6	I	AUD clock / Port H	
48	D4	I/O		152	Vss	-	Ground	
49	D3	I/O	Data bus	153	Vcc	-	Power supply +1.8 V	
50	D2	I/O		154	Vcc	-	Power supply +1.8 V	
51	D1	I/O	Crystal oscillator	155	XTAL1	O	Crystal oscillator	
52	D0	I/O		156	EXTAL1	I		
53	A0	O	Address bus	157	STATUS/PTH8	I/O	Processor status / Port J	
54	A1	O		158	STATUS/PTH7	I/O		
55	A2	O		159	TCLK/PTH7	I/O	Timer clock / Port H	
56	A3	O		160	IRQOUT	O	Interrupt request output	
57	VssQ	-		Ground	161	VssQ	-	Ground
58	A4	O	162		CKIO	I/O	System clock input / output	
59	VccQ	-	Power supply +3.3 V	163	VccQ	-	Power supply +3.3 V	
60	A5	O		164	TXD0/SCPT0	O	Data transmission / SCI port	
61	A6	O	Address bus	165	SCK0/SCPT1	I/O	Serial clock / SCI port	
62	A7	O		166	TXD1/SCPT2	O	Data transmission / SCI port	
63	A8	O		167	SCK1/SCPT3	I/O	Serial clock / SCI port	
64	A9	O		168	TXD2/SCPT4	O	Data transmission / SCI port	
65	A10	O		169	SCK2/SCPT5	I/O	Serial clock / SCI port	
66	A11	O	Transmit request / SCI port	170	RTS2/SCPT6	I/O		
67	A12	O		171	RXD0/SCPT0	I	Data reception / SCI port	
68	A13	O	172	RXD1/SCPT2	I			
69	VssQ	-	Ground	173	Vss	-	Ground	
70	A14	O		174	RXD2/SCPT4	I	Data reception / SCI port	
71	VccQ	-	Power supply +3.3 V	175	Vcc	-	Power supply +1.8 V	
72	A15	O		176	CS2RD5/SCPT7	I	Transmit clear / interrupt request / SCI port	
73	A16	O	Address bus	177	MCSPTC0/PTH7	I/O	Mask ROM chip select / Port C / Port interruption	
74	A17	O		178	MCSPTC6/PTH8	I/O		
75	A18	O		179	MCSPTC3/PTH9	I/O		
76	A19	O		180	MCSPTC4/PTH4	I/O		
77	A20	O		181	VssQ	-		Ground
78	A21	O	Ground	182	WAKEUP/PTH8	I/O	Standby mode interrupt request output / Port D	
79	Vss	-		183	VccQ	-	Power supply +3.3 V	
80	A22	O	Address bus	184	RESET/PTH2	I/O	Reset output / Port D	
81	Vcc	-		185	MCSPTC3/PTH3	I/O	Mask ROM chip select / Port C / Port interruption	
82	A23	O	186	MCSPTC3/PTH10	I/O			
83	VssQ	-	187	MCSPTC6/PTH1	I/O			
84	A24	O	188	MCSPTC6/PTH0	I/O			
85	VccQ	-	Power supply +3.3 V	189	DRAM0/PTD1	I/O		DMA acknowledge / Port D
86	A25	O		190	DRAM1/PTD0	I/O		
87	BS/PTK4	I/O	Bus cycle / Port K	191	DREQ0/PTD4	I	DMA request / Port D	
88	RD	O		192	DREQ1/PTD6	I		
89	WE0/DCMLL	O	Select signal (D7-D0) / D QM (SDRAM)	193	RESETP	I	Power on reset	
90	WE1/DCMLWE	O		194	CA	-	Chip active	
91	WE0/DCMWE	O	Select signal (D15-D8) / D QM (SDRAM) / Write enable	195	MD3	I	Mode control	
92	WE0/DCMWE	O		196	MD4	I		
93	RD/WR	O	Select signal (D23-D16) / D QM (SDRAM) / IO read / Port K	197	MD5	I		
94	AUD5/CPTE1	I/O		198	AVss	-	Analog ground	
95	VssQ	-	Read / Write	199	AN0/PTL0	I	Analog input / Port L	
96	CS0/MCS0	O		200	AN1/PTL1	I		
97	VccQ	-	Power supply +3.3 V	201	AN2/PTL2	I		
98	CS2/PTK0	I/O		202	AN3/PTL3	I		
99	CS3/PTK1	I/O	Chip select / Port K	203	AN4/PTL4	I		
100	CS4/PTK2	I/O		204	AN5/PTL5	I		
101	CS3C/PTK3	I/O	Chip select / Chip enable / Port K	205	AVcc	-	Analog power supply +3.3 V	
102	CS6/CE1B	O		206	AN6/DA/PTL5	I/O	Analog input / Analog output / Port L	
103	CE2A/PTA4	I/O	207	AN7/DA/PTL7	I/O			
104	CE2B/PTA5	I/O	208	AVss	-	Analog ground		

● M37641M8-141FP (X2485200) CPU (USB 32K)

JK1: IC201

PIN NO.	NAME	I/O	FUNCTION	PIN NO.	NAME	I/O	FUNCTION
1	P6 ₇ /DQ ₁	I/O	Port 6	41	P1 ₇ /AB ₁₅	I/O	Port 1
2	P6 ₆ /DQ ₀	I/O		42	P1 ₆ /AB ₁₄	I/O	
3	P5 ₃ //W ₀ /R ₀ /W ₁	I/O		43	P1 ₅ /AB ₁₃	I/O	
4	P5 ₄ //R ₁ (E)	I/O	44	P1 ₄ /AB ₁₂	I/O		
5	P5 ₅ /A ₀	I/O	45	P1 ₃ /AB ₁₁	I/O		
6	P5 ₄ //S ₀	I/O	46	P1 ₂ /AB ₁₀	I/O		
7	P5 ₂ /IBF ₀	I/O	47	P1 ₁ /AB ₉	I/O		
8	P5 ₂ /OBF ₀	I/O	48	P1 ₀ /AB ₈	I/O		
9	CNV _{SS} /V _{PP}	I	Chip operation mode	49	P0 ₇ /AB ₇	I/O	
10	/RESET	I	Reset input	50	P0 ₆ /AB ₆	I/O	
11	P5 ₁ /T ₀ M ₀ /C ₀ U ₀	I/O	Port 5	51	P0 ₅ /AB ₅	I/O	
12	P5 ₀ /X ₀ C ₀ U ₀	I/O		52	P0 ₄ /AB ₄	I/O	
13	V _{SS}			Ground	53	P0 ₃ /AB ₃	
14	X _{IN}	I	Quartz crystal input	54	P0 ₂ /AB ₂	I/O	
15	X _{OUT}	O	Quartz crystal output	55	P0 ₁ /AB ₁	I/O	
16	V _{CC}		Power supply +5V	56	P0 ₀ /AB ₀	I/O	
17	AV _{CC}		Analog power supply +5V	57	P2 ₇ /DB ₇	I/O	
18	LPF	O	Loop filter for synthesizer	58	P2 ₆ /DB ₆	I/O	
19	AV _{SS}		Analog ground	59	P2 ₅ /DB ₅	I/O	
20	P4 ₄ /CNTR ₁	I/O	Port 4	60	P2 ₄ /DB ₄	I/O	
21	P4 ₃ /CNTR ₀	I/O		61	P2 ₃ /DB ₃	I/O	
22	P4 ₂ /INT ₁	I/O		62	P2 ₂ /DB ₂	I/O	
23	P4 ₁ /INT ₀	I/O		63	P2 ₁ /DB ₁	I/O	
24	P4 ₀ /EDMA	I/O		64	P2 ₀ /DB ₀	I/O	
25	P6 ₇ /RTS ₁	I/O		65	P7 ₄ /OBF ₁	I/O	
26	P6 ₆ /CTS ₁	I/O		66	P7 ₃ /IBF ₀ /HOLD _A	I/O	
27	P6 ₅ /URXD ₁	I/O	67	P7 ₂ /S ₁	I/O		
28	P6 ₄ /UTXD ₁	I/O	68	P7 ₁ /HOLD	I/O		
29	P6 ₃ /RTS ₀ /STXD	I/O	69	P7 ₀ /SOF	I/O		
30	P6 ₂ /CTS ₀ /SRXD	I/O	70	USB D+	I/O	USB +voltage line interface	
31	P6 ₁ /URXD ₀ /SCL	I/O	71	USB D-	I/O	USB -voltage line interface	
32	P6 ₀ /UTXD ₀ /SRIY	I/O	72	Ext. Cap	I/O	Power supply +3.3V	
33	P3 ₇ //RD	I/O	73	V _{SS}		Ground	
34	P3 ₆ //WR	I/O	74	V _{CC}		Power supply +5V	
35	P3 ₅ /SYNC _{OUT}	I/O	75	P6 ₇ /DQ ₇	I/O	Port 6	
36	P3 ₄ /No _{OUT}	I/O	76	P6 ₆ /DQ ₆	I/O		
37	P3 ₃ /DMA _{OUT}	I/O	77	P6 ₅ /DQ ₅	I/O		
38	P3 ₂	I/O	78	P6 ₄ /DQ ₄	I/O		
39	P3 ₁	I/O	79	P6 ₃ /DQ ₃	I/O		
40	P3 ₀ /RDY	I/O	80	P6 ₂ /DQ ₂	I/O		

● HD6437042AF28 (XY715A00) CPU
 HD6437042AF53 (XY721A00) CPU

SL: IC100
 SR: IC100
 AD3: IC002 (PM5D-RH)

PIN NO.	NAME	I/O	FUNCTION	PIN NO.	NAME	I/O	FUNCTION
1	TD/CAS/PB14	I/O	MTU I/O / DMA acknowledge / Port E Port E	57	D11	I/O	Data bus
2	PE15	O		58	D10	I/O	
3	VSS	I	Ground	59	D9	I/O	
4	A0	O		60	D8	I/O	
5	A1	O	Address bus	61	VSS	I	Ground
6	A2	O		62	D7	I/O	Data bus
7	A3	O		63	D6	I/O	
8	A4	O		64	D5	I/O	
9	A5	O		Power supply	65	VCC	I
10	A6	O			66	D4	I/O
11	A7	O		Data bus	67	D3	I/O
12	A8	O			68	D2	I/O
13	A9	O		Ground	69	D1	I/O
14	A10	O			70	D0	I/O
15	A11	O	Crystal oscillator	71	VSS	I	
16	A12	O		72	XTAL	I	
17	A13	O	Mode control	73	MD3	I	
18	A14	O		74	EXTAL	I	
19	A15	O	Mode control	75	MD2	I	
20	A16	O		76	NMI	I	
21	VCC	I	Power supply	77	VCC	I	
22	A17	O		78	MD1	I	
23	VSS	I	Mode control	79	MD0	I	
24	/RAS/PB2	I/O		80	PLLVCC	I	
25	/CASL/PB3	I/O	81	PLLCAP	I		
26	/CASH/PB4	I/O	82	PLLVSS	I		
27	VSS	I	PLL Power supply	83	PA15 / CK	O	
28	/RDWR / PB5	I/O		84	/RES	I	
29	A18/PB6	I/O	DRAM read / write / Port B	85	PE0/DREQ0	I/O	
30	A19/PB7	I/O		86	PE1/DRAK0	O	
31	A20/PB8	O	Address bus / Port B	87	PE2	O	
32	A21/PB9	O		88	PE3	O	
33	VSS	I	Ground	89	PE4	O	
34	/RD	O		90	VSS	I	
35	/WDTOVF	O	Read	91	PF0 / AN0	I	
36	/WRH	O		92	PF1 / AN1	I	
37	VCC	I	Watch dog timer overflow	93	PF2 / AN2	I	
38	/WRL	O		94	PF3 / AN3	I	
39	VSS	I	High write	95	PF4 / AN4	I	
40	/CS1	O		96	PF5 / AN5	I	
41	/CS0	O	Power supply	97	AVSS	I	
42	/IRQ1/PA5	I/O		98	PF6 / AN6	I	
43	/IRQ2/PA6	I/O	Chip select	99	PF7 / AN7	I	
44	/CS3	O		100	AVCC	I	
45	/CS2	O	Interrupt request / Port A	101	VSS	I	
46	/IRQ1/PA5	I/O		102	PE5	O	
47	TXD1	O	Data transmission	103	VCC	I	
48	RXD1	I		104	PE6	I/O	
49	/IRQ0/PA2	I/O	Interrupt request / Port A	105	PE7	I/O	
50	TXD0	O		106	PE8	I/O	
51	RXD0	I	Data transmission	107	PE9	O	
52	D15	I/O		108	PE10	O	
53	D14	I/O	Data bus	109	VSS	I	
54	D13	I/O		110	PE11	O	
55	VSS	I	Ground	111	PE12	O	
56	D12	I/O		112	/MRES	I	

• XC9572XL-10TQ100C (X4765A00) CPLD
 XC9572XL-10TQ100C (X4765B00) CPLD

DSP: IC142

PIN NO.	NAME	I/O	FUNCTION	PIN NO.	NAME	I/O	FUNCTION
1	I/O1	I/O	Input / Output 1	51	VCCIO2.5V/3.3V	-	Power Supply (2.5V/3.3V)
2	NC	-	Not used	52	I/O52	I/O	Input / Output 52
3	I/O/GTS1	I/O	} Input / Output / GTS buffer delay	53	I/O53	I/O	Input / Output 53
4	I/O/GTS2	I/O		54	I/O54	I/O	Input / Output 54
5	VCCINT3.3V	-	Power Supply (3.3V)	55	I/O55	I/O	Input / Output 55
6	I/O6	I/O	Input / Output 6	56	I/O56	I/O	Input / Output 56
7	NC	-	Not used	57	VCCINT3.3V	-	Power Supply (3.3V)
8	I/O8	I/O	Input / Output 8	58	I/O58	I/O	Input / Output 58
9	I/O9	I/O	Input / Output 9	59	I/O59	I/O	Input / Output 59
10	I/O10	I/O	Input / Output 10	60	I/O60	I/O	Input / Output 60
11	I/O11	I/O	Input / Output 11	61	I/O61	I/O	Input / Output 61
12	I/O12	I/O	Input / Output 12	62	GND	-	GND
13	I/O13	I/O	Input / Output 13	63	I/O63	I/O	Input / Output 63
14	I/O14	I/O	Input / Output 14	64	I/O64	I/O	Input / Output 64
15	I/O15	I/O	Input / Output 15	65	I/O65	I/O	Input / Output 65
16	I/O16	I/O	Input / Output 16	66	I/O66	I/O	Input / Output 66
17	I/O17	I/O	Input / Output 17	67	I/O67	I/O	Input / Output 67
18	I/O18	I/O	Input / Output 18	68	I/O68	I/O	Input / Output 68
19	NC	-	Not used	69	GND	-	GND
20	I/O20	I/O	Input / Output 20	70	I/O70	I/O	Input / Output 70
21	GND	-	GND	71	I/O71	I/O	Input / Output 71
22	I/O/GCK1	I/O	} Input / Output / GCK buffer delay	72	I/O72	I/O	Input / Output 72
23	I/O/GCK2	I/O		73	NC	-	Not used
24	NC	-	Not used	74	I/O74	I/O	Input / Output 74
25	I/O25	I/O	Input / Output 25	75	GND	-	GND
26	VCCIO2.5V	-	Power Supply (2.5V)	76	I/O76	I/O	Input / Output 76
27	I/O/GCK3	I/O	Input / Output / GCK buffer delay	77	I/O77	I/O	Input / Output 77
28	I/O28	I/O	Input / Output 28	78	I/O78	I/O	Input / Output 78
29	I/O29	I/O	Input / Output 29	79	I/O79	I/O	Input / Output 79
30	I/O30	I/O	Input / Output 30	80	NC	-	Not used
31	GND	-	GND	81	I/O81	I/O	Input / Output 81
32	I/O32	I/O	Input / Output 32	82	I/O82	I/O	Input / Output 82
33	I/O33	I/O	Input / Output 33	83	TDO	O	Output test data
34	NC	-	Not used	84	GND	-	GND
35	I/O35	I/O	Input / Output 35	85	I/O85	I/O	Input / Output 85
36	I/O36	I/O	Input / Output 36	86	I/O86	I/O	Input / Output 86
37	I/O37	I/O	Input / Output 37	87	I/O87	I/O	Input / Output 87
38	VCCIO2.5V/3.3V	-	Power Supply (2.5V/3.3V)	88	VCCIO2.5V/3.3V	-	Power Supply (2.5V/3.3V)
39	I/O39	I/O	Input / Output 39	89	I/O89	I/O	Input / Output 89
40	I/O40	I/O	Input / Output 40	90	I/O90	I/O	Input / Output 90
41	I/O41	I/O	Input / Output 41	91	I/O91	I/O	Input / Output 91
42	I/O42	I/O	Input / Output 42	92	I/O92	I/O	Input / Output 92
43	NC	-	Not used	93	I/O93	I/O	Input / Output 93
44	GND	-	GND	94	I/O94	I/O	Input / Output 94
45	TDI	I	Input test data	95	I/O95	I/O	Input / Output 95
46	NC	-	Not used	96	I/O96	I/O	Input / Output 96
47	TMS	I	Test mode switch	97	I/O97	I/O	Input / Output 97
48	TCK	I	Test clock	98	VCCINT3.3V	-	Power Supply (3.3V)
49	I/O49	I/O	Input / Output 49	99	I/O/GSR	I/O	Input / Output / GSR buffer delay
50	I/O50	I/O	Input / Output 50	100	GND	-	GND

• MSM82C51A-2GS-KR1 (XV513A00)
 USART (Universal Synchronous Asynchronous Receiver Transmitter)

MAIN: IC65

PIN NO.	NAME	I/O	FUNCTION	PIN NO.	NAME	I/O	FUNCTION
1	D2	I/O	Data Bus	17	TXRDY	O	Character data
2	D3	I/O	Data Bus	18	SYNDET8D	I/O	Character data
3	RXD	I	Serial Data	19	/CTS	I	Input terminal for modem interface
4	NC	-	Not used	20	NC	-	Not used
5	GND	-	Ground	21	TXEMPTY	O	Character data
6	D4	I/O	Data Bus	22	TXD	O	Character data
7	D5	I/O	Data Bus	23	CLK	I	Clock
8	D6	I/O	Data Bus	24	RESET	I	Reset
9	D7	I/O	Data Bus	25	/DSR	I	Input port for modem interface
10	/TXC	I	Clock	26	/RTS	O	Output port for modem interface
11	/WR	I	Write signal	27	/DTR	O	Output port for modem interface
12	/CS	I	Device select	28	/RXC	I	Clock
13	NC	-	Not used	29	NC	-	Not used
14	C/D	I	Access select signal	30	VCC	I	Power supply
15	/RD	I	Read signal	31	D0	I/O	Data Bus
16	RXRDY	O	Character data	32	D1	I/O	Data Bus

● YSS910-V (XV988B00) DSP6 (Digital Signal Processor)

DSP: ICA01-A08

PIN NO.	NAME	I/O	FUNCTION	PIN NO.	NAME	I/O	FUNCTION	
1	Vdd		Power supply (3.3 V)	89	Vss		Ground	
2	Vss		Ground	90	DB13	I/O	Parallel data bus	
3	XI	I	System master clock input (80 MHz or 30 MHz)	91	DB14	I/O		
4	XO	O	System master clock output (High or 30 MHz)	92	DB15	I/O		
5	Vdd5		Power supply (5 V)	93	DB16	I/O		
6	/SYNCl	I	Sync. signal input	94	DB17	I/O		
7	/SYNCO	O	Sync. signal output	95	DB18	I/O	Parallel data bus	
8	Vdd5		Power supply (5 V)	96	DB19	I/O		
9	CKI	I	System clock input (30 MHz)	97	DB20	I/O		
10	CKO	O	System clock output (30 MHz)	98	DB21	I/O		
11	CKSEL	I	System master clock select (0: 60 MHz, 1: 30 MHz)	99	DB22	I/O		
12	Vss		Ground	100	Vss		Ground	
13	MCKS	I	Serial I/O master clock input (128 x Fs)	101	Vdd		Power supply (3.3 V)	
14	/SSYNCl	I	Serial I/O Sync. signal input	102	DB23	I/O	Parallel data bus	
15	/IC	I	Initial clear (RESET)	103	DB24	I/O		
16	/TEST	I	Test mode setting (0: Test, 1: Normal)	104	DB25	I/O		
17	BTYP	I	Data bus type select (0: 8 bit, 1: 16 bit)	105	DB26	I/O		
18	/IRQ	O	IRQ output	106	DB27	I/O		
19	TRIG	I/O	Trigger signal input/output	107	DB28	I/O	Timing signal output/ Parallel data bus output/ input	
20	Vdd5		Power supply (5 V)	108	DB29	I/O		
21	Vss		Ground	109	DB30	I/O		
22	/CS	I	chip select signal input	110	DB31	I/O		
23	/WR	I	Write signal input	111	TIMC/DBCB	I/O		
24	/RD	I	Read signal input	112	Vss		Ground	
25	CA7	I/O	Address bus of internal register	113	Vdd5		Power supply (5 V)	
26	CA6	I/O			114	DA00	I/O	Memory data bus
27	CA5	I/O			115	DA01	I/O	
28	CA4	I/O			116	DA02	I/O	
29	CA3	I/O			117	DA03	I/O	
30	CA2	I/O		118	DA04	I/O		
31	CA1	I/O		119	DA05	I/O	Memory data bus	
32	Vss		Ground	120	DA06	I/O		
33	Vdd		Power supply (3.3 V)	121	DA07	I/O		
34	CD15	I/O	Data bus of internal register	122	Vss			Ground
35	CD14	I/O			123	DA08		I/O
36	CD13	I/O			124	DA09	I/O	
37	CD12	I/O			125	DA10	I/O	
38	CD11	I/O			126	DA11	I/O	
39	CD10	I/O		127	DA12	I/O	Memory data bus	
40	CD09	I/O		128	DA13	I/O		
41	CD08	I/O		129	DA14	I/O		
42	CD07	I/O		130	DA15	I/O		
43	CD06	I/O		131	Vss			Ground
44	Vss		Ground	132	Vdd		Power supply (3.3 V)	
45	Vdd		Power supply (3.3 V)	133	(n.c)		Not used	
46	Vdd5		Power supply (5 V)	134	Vdd5		Power supply (5 V)	
47	CD05	I/O	Data bus of internal register	135	DA16	I/O	Memory data bus	
48	CD04	I/O			136	DA17		I/O
49	CD03	I/O			137	DA18		I/O
50	CD02	I/O			138	DA19		I/O
51	CD01	I/O			139	DA20		I/O
52	CD00	I/O		140	DA21	I/O	Memory data bus	
53	/WAIT	O	WAIT output	141	DA22	I/O		
54	Vss		Ground	142	DA23	I/O		
55	S10	I	Serial data input	143	Vss			Ground
56	S11	I			144	DA24		I/O
57	S12	I			145	DA25	I/O	
58	S13	I			146	DA26	I/O	
59	S14	I			147	DA27	I/O	
60	S15	I		148	DA28	I/O	Memory data bus	
61	S16	I		149	DA29	I/O		
62	S17	I		150	DA30	I/O		
63	Vss		Ground	151	DA31	I/O		
64	Vdd5		Power supply (5 V)	152	Vdd5			Power supply (5 V)
65	SO0	O	Serial data output	153	Vss		Ground	
66	SO1	O			154	A00	O	Memory address (SRAM, PSRAM, DRAM)
67	SO2	O			155	A01	O	
68	SO3	O			156	A02	O	
69	SO4	O			157	A03	O	
70	SO5	O		158	A04	O		
71	SO6	O		159	A05	O	Memory address (SRAM, PSRAM)	
72	SO7	O		160	A06	O		
73	Vss		Ground	161	A07	O		
74	DB00	I/O		162	A08	O		
75	DB01	I/O		163	A09	O		
76	DB02	I/O		164	Vss		Ground	
77	DB03	I/O		165	Vdd		Power supply (3.3 V)	
78	DB04	I/O	Parallel data bus	166	A10	O	Memory address (SRAM, PSRAM, DRAM)	
79	DB05	I/O			167	A11		O
80	DB06	I/O			168	A12		O
81	DB07	I/O			169	A13		O
82	DB08	I/O			170	A14		O
83	DB09	I/O		171	A15/RAS	O	Memory address (SRAM, PSRAM), /RAS (DRAM)	
84	DB10	I/O		172	A16/CAS	O	Memory address (SRAM, PSRAM), /CAS (DRAM)	
85	DB11	I/O		173	A17/CE	O	Memory address (SRAM), /CE (PSRAM)	
86	DB12	I/O		174	/WE	O	Memory write enable signal	
87	Vdd5		Power supply (5 V)	175	/OE	O	Memory output enable signal	
88	Vdd		Power supply (3.3 V)	176	Vdd5		Power supply (5 V)	

● YSS919B-H (XZ693B00) DSP7 (Digital Signal Processor)

DSP: IC601-B14
AD3: IC902 (PM5D-RH)

PIN NO.	NAME	I/O	FUNCTION	PIN NO.	NAME	I/O	FUNCTION	
1	PLEN	I	PLL enable input (0: PLL unused, 1: PLL use)	105	SIO32	IO	Serial data bus	
2	/TEST	I	Test mode setting (0: TEST, 1: Normal)	106	SIO33	IO		
3	AVss	I	Analog ground	107	SIO34	IO		
4	CPO	I	PLL filter	108	SIO35	IO		
5	AVDD	I	Power supply (2.5 V)	109	SIO36	IO	Power supply (3.3 V)	
6	Vss	I	Ground	110	SIO37	IO		
7	VDD	I	Power supply (3.3 V)	111	SIO38	IO	Power supply (2.5 V)	
8	/IC	I	Initial clear	112	SIO39	IO		
9	MUTE	I	Mute control (0: SIO mute, 1: SIO normal in-out)	113	VDD	IO	Ground	
10	SSYNC	I	Serial I/O Sync signal input	114	Vss	IO		
11	MCKS	I	Serial I/O master clock input (128 x F _s)	115	SIO40	IO	Serial data bus	
12	XI	I	System master clock input (60 MHz or 1.5 MHz)	116	SIO41	IO		
13	RTVP	I	Date bus type select (0: 16 bits, 1: 32 bits)	117	SIO42	IO		
14	/CS	I	Chip select	118	SIO43	IO		
15	/WR	I	Write enable input	119	SIO44	IO	Power supply (3.3 V)	
16	/RD	I	Read enable input	120	SIO45	IO		
17	CA7	I	CPU address bus	121	SIO46	IO	Ground	
18	CA6	I			122	SIO47		IO
19	CA5	I			123	Vss	IO	
20	CA4	I			124	VDD	IO	
21	CA3	I	Ground	125	SIO48	IO	Power supply (3.3 V)	
22	CA2	I			126	SIO49		IO
23	Vss	I	Power supply (3.3 V)	127	SIO50	IO	Serial data bus	
24	VDD	I			128	SIO51		IO
25	CD01(CA)	IO	CPU data bus	129	SIO52	IO	Ground	
26	CD02	IO			130	SIO53		IO
27	CD03	IO			131	SIO54	IO	
28	CD04	IO			132	SIO55	IO	
29	CD05	IO	Ground	133	Vss	IO	Serial data bus	
30	CD06	IO			134	SIO56		IO
31	CD07	IO	Power supply (2.5 V)	135	SIO57	IO	Ground	
32	CD08	IO			136	SIO58		IO
33	Vss	I	Ground	137	SIO59	IO	Serial data bus	
34	VDD	I			138	SIO60		IO
35	CD09	IO	CPU data bus	139	SIO61	IO	Power supply (2.5 V)	
36	CD10	IO			140	SIO62		IO
37	CD11	IO			141	SIO63	IO	
38	CD12	IO			142	VDD	IO	
39	CD13	IO	Power supply (3.3 V)	143	Vss	IO	Power supply (3.3 V)	
40	CD14	IO			144	VDD		IO
41	CD15	IO	Ground	145	DA00	IO	Memory data bus	
42	CD16	IO			146	DA01		IO
43	Vss	I			147	DA02		IO
44	VDD	I			148	DA03		IO
45	CD17	IO	CPU data bus	149	DA04	IO	Ground	
46	CD18	IO			150	DA05		IO
47	CD19	IO			151	DA06	IO	
48	CD20	IO			152	DA07	IO	
49	CD21	IO	Ground	153	Vss	IO	Memory data bus	
50	CD22	IO			154	DA08		IO
51	CD23	IO	Power supply (2.5 V)	155	DA09	IO	Ground	
52	CD24	IO			156	DA10		IO
53	Vss	I			157	DA11	IO	
54	VDD	I			158	DA12	IO	
55	CD25	IO	CPU data bus	159	DA13	IO	Memory data bus	
56	CD26	IO			160	DA14		IO
57	CD27	IO			161	DA15	IO	
58	CD28	IO			162	Vss	IO	
59	CD29	IO	Ground	163	VDD	IO	Power supply (3.3 V)	
60	CD30	IO			164	DA16		IO
61	CD31	IO	Wait output	165	DA17	IO	Memory data bus	
62	WAIT	O			166	DA18		IO
63	VDD	I			167	DA19		IO
64	Vss	I			168	DA20		IO
65	VDD	I	Power supply (2.5 V)	169	DA21	IO	Ground	
66	Vss	I			170	DA22		IO
67	SIO00	IO	Serial data bus	171	DA23	IO	Power supply (2.5 V)	
68	SIO01	IO			172	VDD		IO
69	SIO02	IO			173	Vss	IO	
70	SIO03	IO			174	DA24	IO	
71	SIO04	IO	Ground	175	DA25	IO	Memory data bus	
72	SIO05	IO			176	DA26		IO
73	SIO06	IO	Power supply (3.3 V)	177	DA27	IO	Ground	
74	Vss	I			178	DA28		IO
75	SIO08	IO			179	DA29	IO	
76	SIO09	IO			180	DA30	IO	
77	SIO10	IO	Serial data bus	181	DA31	IO	Ground	
78	SIO11	IO			182	Vss		IO
79	SIO12	IO			183	VDD	IO	
80	SIO13	IO			184	/WE	O	
81	SIO14	IO	Ground	185	/CAS	O	Memory write enable signal	
82	SIO15	IO			186	/SDCK		O
83	Vss	I	Power supply (3.3 V)	187	/CKE	O	Clock (SDRAM)	
84	VDD	I			188	/RAS		O
85	SIO16	IO	Serial data bus	189	VDD	O	Column address strobe	
86	SIO17	IO			190	Vss		O
87	SIO18	IO			191	BA1	O	
88	SIO19	IO			192	BA0	O	
89	SIO20	IO	Ground	193	A12	O	Bank select (SDRAM)	
90	SIO21	IO			194	A11		O
91	SIO22	IO	Power supply (2.5 V)	195	A10	O	Memory address (SDRAM, ORAM)	
92	SIO23	IO			196	A09		O
93	Vss	I			197	A08		O
94	VDD	I			198	Vss		O
95	SIO24	IO	Ground	199	VDD	O	Power supply (3.3 V)	
96	SIO25	IO			200	A07		O
97	SIO26	IO	Serial data bus	201	A06	O	Memory address (SDRAM, ORAM)	
98	SIO27	IO			202	A05		O
99	SIO28	IO			203	A04		O
100	SIO29	IO			204	A03		O
101	SIO30	IO	Ground	205	A02	O	Memory address (SDRAM, ORAM)	
102	SIO31	IO			206	A01		O
103	Vss	I	Power supply (3.3 V)	207	A00	O	Ground	
104	VDD	I			208	Vss		O

● S1L51252F32S000 (X3775A00) PLLP2 (Gate Array)

PIN NO.	NAME	I/O	FUNCTION	PIN NO.	NAME	I/O	FUNCTION
1	(NC)	-	(Connected to VSS on P.C.B.)	105	(NC)	-	(Pulled up on P.C.B.)
2	(NC)	-	(Pulled up on P.C.B.)	106	VDD	-	Power supply
3	PB8	O	Output port B8	107	(NC)	-	(Connected to VSS on P.C.B.)
4	PB9	O	Output port B9	108	(NC)	-	(Connected to VSS on P.C.B.)
5	VDD	-	IO power supply (3.3V)	109	VSS	-	Ground
6	VSS	-	Ground	110	VDD	-	Power supply
7	PA0	O	Output port A0	111	NCSDSP7	O	Chip select (DSP7_ALL)
8	NCSIN6	I	CPU chip select 6	112	NCSDSP8	O	Chip select (DSP8_ALL)
9	NCSIN5	I	CPU chip select 5	113	PA3	O	Output port A3
10	NRD	I	CPU read enable	114	MCK2560	O	256FS synchronous clock output
11	NWRH	I	CPU write enable H	115	MCK256M	I	256FS synchronous clock input (Master)
12	NWRL	I	CPU write enable L	116	MCK256S	I	256FS synchronous clock input (Slave)
13	PA1	O	Output port A1	117	VSS	-	Ground
14	ADH1	I	CPU address bus 11	118	VDD	-	Power supply
15	ADH2	I	CPU address bus 12	119	ICK45	I	For internal clock 88.2k, 44.1k
16	ADH3	I	CPU address bus 13	120	ICK48	I	For internal clock 96k, 48k
17	ADH4	I	CPU address bus 14	121	DIR2X	O	Clock for X1 of DIR2
18	ADH5	I	CPU address bus 15	122	PA10	O	Output port A10
19	PA2	O	Output port A2	123	VSS	-	Ground
20	VSS	-	Ground	124	VDD	-	Power supply
21	VDD	-	Internal power supply (2.5V)	125	EXTWC1	I	External word clock input 1
22	VDD	-	IO power supply (3.3V)	126	EXTWC2	I	External word clock input 2
23	VSS	-	Ground	127	EXTWC3	I	External word clock input 3
24	ADL1	I	CPU address bus 1	128	EXTWC4	I	External word clock input 4
25	ADL2	I	CPU address bus 2	129	VSS	-	Ground
26	ADL3	I	CPU address bus 3	130	VDD	-	Power supply
27	ADL4	I	CPU address bus 4	131	EXTWC2561	I	External WC (256FS) input 1
28	ADL5	I	CPU address bus 5	132	EXTWC2562	I	External WC (256FS) input 2
29	ADL6	I	CPU address bus 6	133	PA11	O	Output port A11
30	ADL7	I	CPU address bus 7	134	DIRMCA	I	MCA input of DIR2
31	ADL8	I	CPU address bus 8	135	DIRMCB	I	MCB input of DIR2
32	VSS	-	Ground	136	DIRWC	I	WC Input of DIR2
33	VDD	-	Internal power supply (2.5V)	137	VSS	-	Ground
34	VDD	-	IO power supply (3.3V)	138	VDD	-	Power supply
35	VSS	-	Ground	139	DIRMCC	I	MCC input of DIR2
36	DT0	I/O	CPU data bus 0	140	DIRSYNC	I	SYNC input of DIR2
37	DT1	I/O	CPU data bus 1	141	EXTWCSEL	O	EXTWC clock select output
38	DT2	I/O	CPU data bus 2	142	DIRWCSEL	O	DIRWC clock select output
39	DT3	I/O	CPU data bus 3	143	PA12	O	Output port A12
40	DT4	I/O	CPU data bus 4	144	PLLOUT	I	PLL VCO OUT input
41	DT5	I/O	CPU data bus 5	145	VSS	-	Ground
42	VDD	-	IO power supply (3.3V)	146	VDD	-	Power supply
43	VSS	-	Ground	147	PCPOUT	O	EXT WC SEL to MWC comparison circuit output
44	DT6	I/O	CPU data bus 6	148	PA13	O	Output port A13
45	DT7	I/O	CPU data bus 7	149	M256FS	O	Master clock (256FS)
46	DT8	I/O	CPU data bus 8	150	M128FS	O	System clock (128FS)
47	DT9	I/O	CPU data bus 9	151	VSS	-	Ground
48	VDD	-	Internal power supply (2.5V)	152	VDD	-	Power supply
49	VSS	-	Ground	153	(NC)	-	(Connected to VDD on P.C.B.)
50	(NC)	-	(Connected to VDD on P.C.B.)	154	(NC)	-	(Connected to VSS on P.C.B.)
51	(NC)	-	(Connected to VDD on P.C.B.)	155	(NC)	-	(Pulled up on P.C.B.)
52	(NC)	-	(Pulled up on P.C.B.)	156	(NC)	-	(Pulled up on P.C.B.)
53	DT10	I/O	CPU data bus 10	157	M64FS	O	System clock (64FS)
54	DT11	I/O	CPU data bus 11	158	MWC	O	Word clock
55	DT12	I/O	CPU data bus 12	159	MSYNC	O	Synchronous signal
56	DT13	I/O	CPU data bus 13	160	PA14	O	Output port A14
57	DT14	I/O	CPU data bus 14	161	WCO_BNC	O	WC output for BNC connector
58	DT15	I/O	CPU data bus 15	162	PA15	O	Output port A15
59	VSS	-	Ground	163	FS256_SLOT1	O	Clock (256FS) for MY SLOT1
60	PA3	O	Output port A3	164	FS256_SLOT2	O	Clock (256FS) for MY SLOT2
61	NCSWAIT	O	CPU wait signal	165	VDD	-	Power supply
62	NCSIO3V	O	Chip select (IO3V)	166	SYNC_SLOT1	O	Synchronous signal for MY SLOT1
63	NCSIO5V	O	Chip select (IO5V)	167	SYNC_SLOT2	O	Synchronous signal for MY SLOT2
64	NCSJK1	O	Chip select (JK1)	168	PB0	O	Output port B0
65	NCSGONT	O	Chip select (GONT)	169	SLOT_12M	O	Clock (12MHz) for MY SLOT
66	VDD	-	Power supply	170	SLOT_6M	O	Clock (6MHz) for MY SLOT
67	NCSL0T1	O	Chip select (SLOT1)	171	VSS	-	Ground
68	NCSL0T2	O	Chip select (SLOT2)	172	SLOT_3M	O	Clock (3MHz) for MY SLOT
69	NCSIO4	O	Chip select (SIO4)	173	PA1	O	Output port B1
70	NCSREC2	O	Chip select (REC2)	174	SLOT_48K	O	Word clock (48/44) for MY SLOT
71	NCSMTLED	O	Chip select (MTLED)	175	SLOT_48S	O	Synchronous signal (48/44) for MY SLOT
72	VDD	-	Power supply	176	PA2	O	Output port B2
73	NCSUSB	O	Chip select (USB)	177	ANA256FS	O	Clock for analog circuit
74	NCSMPTE	O	Chip select (SMFTE)	178	VDD	-	Power supply
75	NCSUART	O	Chip select (UART)	179	NLOCK	I	PLL lock detect signal
76	VSS	-	Ground	180	NDIRLOCK	I	DIR2 PLL lock signal
77	VDD	-	Power supply	181	VSS	-	Ground
78	NRES	I	System reset	182	SCANEN	I	Scan test input
79	CPULCK	I	CPU clock	183	ATPGEN	I	ATPG test input
80	(NC)	-	(Connected to VSS on P.C.B.)	184	TSTEN	I	Test mode selection
81	VSS	-	Ground	185	VDD	-	Power supply
82	VSS	-	Ground	186	TRRERR1	I	2TR DIN UNLOCK input
83	NCSATSC1	O	Chip select (ATSC1)	187	TRRERR2	I	2TR DIN UNLOCK input
84	VDD	-	Power supply	188	VSS	-	Ground
85	NCSATSC2	O	Chip select (ATSC2)	189	PB3	O	Output port B3
86	PA4	O	Output port A4	190	NM_LOCKSEL	O	Lock select output
87	PA5	O	Output port A5	191	NLOCKRTN	I	Lock delay input
88	PA6	O	Output port A6	192	PA4	O	Output port B4
89	NCSYNCO	O	Internal counter synchronous signal output	193	MUTEIN	I	Mute input
90	NCSYNCI	I	Internal counter synchronous signal input	194	VDD	-	Power supply
91	VDD	-	Power supply	195	MUTEOUT1	O	Mute output 1
92	NCSDSP71	O	Chip select (DSP7_1)	196	MUTEOUT2	O	Mute output 2
93	NCSDSP72	O	Chip select (DSP7_2)	197	MUTEOUT3	O	Mute output 3
94	NCSDSP73	O	Chip select (DSP7_3)	198	MUTEOUT4	O	Mute output 4
95	NCSDSP74	O	Chip select (DSP7_4)	199	MUTEOUT5	O	Mute output 5
96	NCSDSP75	O	Chip select (DSP7_5)	200	NMUTEOUT6	O	Mute output 6
97	NCSDSP76	O	Chip select (DSP7_6)	201	VDD	-	Power supply
98	VDD	-	Power supply	202	PA5	O	Output port B5
99	PA7	O	Output port A7	203	DOUBLE	O	Register setting value output
100	PA8	O	Output port A8	204	K48K36	O	Register setting value output
101	NCSDSP61	O	Chip select (DSP6_1)	205	PB6	O	Output port B6
102	NCSDSP62	O	Chip select (DSP6_2)	206	SLOT1_16CH	O	SLOT1 16/8 ch selection
103	NCSDSP63	O	Chip select (DSP6_3)	207	SLOT2_16CH	O	SLOT2 16/8 ch selection
104	NCSDSP64	O	Chip select (DSP6_4)	208	PB7	O	Output port B7

• MBCG61594-130 (X3299A00) ATSC2A

DSP: ICC01-C11
AD3: IC921 (PM5D-RH)

PIN NO.	NAME	I/O	FUNCTION	PIN NO.	NAME	I/O	FUNCTION	
1	VDD		Power supply +3.3V	73	VDD		Power supply +3.3V	
2	XTST	I	LSI test pin	74	PB_H_M_SEL	I	Port B audio data input buffer active select	
3	VSS		Ground	75	PB_O_MUTE	I	Port B mute	
4	WT_X	I	CPU interface write input	76	VSS		Ground	
5	RD_X	I	CPU interface read input	77	PB_SO0_AT0	O	Port B audio data output	
6	CS_X	I	CPU interface chip select input	78	PB_SO1	O		
7	HS_SEL	I	Chip active select	79	PB_SO2	O		
8	RES_X	I	System reset input	80	PB_SO3	O	Ground	
9	VSS		Ground	81	VSS			
10	ADD[0]	I	CPU interface address bus	82	PB_O_H_MODE[0]	I	Port B audio data output mode select	
11	ADD[1]	I						
12	ADD[2]	I						
13	ADD[3]	I		Port C audio data input mode select	83	PB_O_H_MODE[1]	I	
14	ADD[4]	I						
15	ADD[5]	I						
16	ADD[6]	I						
17	ADD[7]	I		84	PB_O_H_MODE[2]	I	Port C audio data input buffer active select	
18	VDD		Power supply +3.3V	85	PC_H_MODE[0]	I		Port C audio data input
19	VSS		Ground	86	PC_H_MODE[1]	I	Power supply +3.3V	
20	DAT[0]	I/O	CPU interface data bus	87	PC_H_MODE[2]	I		Ground
21	DAT[1]	I/O						
22	DAT[2]	I/O						
23	DAT[3]	I/O						
24	VDD		Power supply +3.3V	88	PC_H_M_SEL	I	Port C audio data input	
25	VSS		Ground	89	PC_SIO_AT1	I		Power supply +3.3V
26	DAT[4]	I/O	CPU interface data bus	90	VDD		Ground	
27	DAT[5]	I/O						
28	DAT[6]	I/O						
29	DAT[7]	I/O						
30	VSS		Ground	91	VSS		Port C audio data input	
31	VDD		Power supply +3.3V	92	PC_S11	I		
32	PA_H_MODE[0]	I	Port A audio data input mode select	93	PC_S12	I		
33	PA_H_MODE[1]	I						
34	PA_H_MODE[2]	I						
35	PA_O_H_MODE[0]	I	Port A audio data output mode select	94	PC_S13	I	Port C audio data input sync/wc select	
36	PA_O_H_MODE[1]	I						
37	PA_O_H_MODE[2]	I						
38	PA_SIO_AT1	I	Port A audio data input	95	PC_SW_SEL	I	Port C audio data input sync/wc input	
39	PA_S11	I						
40	PA_S12	I						
41	PA_S13	I	Port A audio data input sync/wc select	96	PC_SYNC_WC_SI	I	Port C audio data input sync/wc input	
42	PA_SW_SEL	I						
43	PA_SYNC_WC_SI	I		Port A audio data input sync/wc input	97	PC_FS256_SI	I	Port C audio data input bit clock input (256fs)
44	PA_FS256_SI	I						
45	VSS		Ground		98	VSS		Ground
46	PA_FS256_SO	I	Port A audio data output bit clock input (256fs)	99	PC_FS256_SO	I	Port C audio data output bit clock input (256fs)	
47	PA_SYNC_WC_SO	I						
48	PA_O_SW_SEL	I		Port A audio data output sync/wc input	100	PC_SYNC_WC_SO	I	Port C audio data output sync/wc input
49	VSS		Port A audio data output sync/wc select		101	PC_O_SW_SEL	I	
50	PA_SO0	O						
51	PA_SO1	O		Port A audio data output	102	VSS		Ground
52	PA_SO2	O						
53	PA_SO3	O						
54	VDD		Power supply +3.3V	103	PC_SO0	O	Port C audio data output	
55	VSS		Ground	104	PC_SO1	O		
56	PA_CLK_AT1	I	Port A ADAT clock input	105	PC_SO2	O		
57	PA_H_M_SEL	I	Port A audio data input buffer active select	106	PC_SO3	O	Ground	
58	PA_O_MUTE	I	Port A mute	107	VSS			Port C mute
59	PB_SIO	I	Port B audio data input	108	PC_O_MUTE	I	Port C audio data output mode select	
60	PB_S11	I						
61	PB_S12	I						
62	PB_S13	I	Port B audio data input sync/wc select	109	PC_O_H_MODE[0]	I	Port C ADAT clock input	
63	PB_SW_SEL	I						
64	PB_SYNC_WC_SI	I		Port B audio data input sync/wc input	110	PC_O_H_MODE[1]	I	Ground
65	PB_FS256_SI	I						
66	VSS		Ground		111	PC_O_H_MODE[2]	I	Port D audio data input mode select
67	PB_FS256_SO	I	Port B audio data output bit clock input (256fs)	112	PC_CLK_AT1	I		
68	PB_SYNC_WC_SO	I						
69	PB_O_SW_SEL	I		Port B audio data output sync/wc input	113	VSS		Ground
70	PB_H_MODE[0]	I						
71	PB_H_MODE[1]	I	Port B audio data output sync/wc select		114	PD_H_MODE[0]	I	Port D audio data input mode select
72	PB_H_MODE[2]	I						
				115	PD_H_MODE[1]	I	Ground	
				116	PD_H_MODE[2]	I		Port D audio data input buffer active select
				117	VSS		Port D audio data input	
				118	PD_H_M_SEL	I		
				119	PD_SIO	I		
				120	PD_S11	I	Port D audio data output	
				121	PD_S12	I		
				122	PD_S13	I		
				123	PD_SW_SEL	I	Port D audio data input sync/wc select	
				124	PD_SYNC_WC_SI	I		Port D audio data input sync/wc input
				125	PD_FS256_SI	I	Port D audio data input bit clock input (256fs)	
				126	VDD			Power supply +3.3V
				127	VSS		Ground	
				128	PD_FS256_SO	I		Port D audio data output bit clock input (256fs)
				129	PD_SYNC_WC_SO	I	Port D audio data output sync/wc input	
				130	PD_O_SW_SEL	I		Port D audio data output sync/wc select
				131	VSS		Ground	
				132	PD_SO0_AT0	O		Port D audio data output
				133	PD_SO1	O		
				134	PD_SO2	O		
				135	PD_SO3	O	Ground	
				136	VSS			Port D mute
				137	PD_O_MUTE	I	Ground	
				138	VSS			Port D audio data output mode select
				139	PD_O_H_MODE[0]	I		
				140	PD_O_H_MODE[1]	I		
				141	PD_O_H_MODE[2]	I	LSI test pin	
				142	XSM	I		
				143	PA_WC_AT1	O	Port A ADAT word clock output	
				144	PC_WC_AT1	O	Port C ADAT word clock output	

● S1C37120F00A000 (XW790A00) MULTI FUNCTION BUFFER

MAIN: IC44, 56

PIN NO.	NAME	I/O	FUNCTION	PIN NO.	NAME	I/O	FUNCTION
1	SVCC	-	System power supply (3.3V)	51	TA22	O	} Target address bus signal
2	SA4	I	} System address bus signal	52	TA21	O	
3	SA5	I		53	TA20	O	
4	SA6	I		54	TA19	O	
5	SA7	I		55	VSS	-	Ground
6	SA8	I		56	TVCC	-	Target power supply (3.3V/5V/OFF)
7	SA9	I	57	TA18	O	} Target address bus signal	
8	SA10	I	58	TA17	O		
9	SA11	I	59	TA16	O		
10	SA12	I	60	TA15	O		
11	DDIR	I	Data bus. byte direction signal (DDIR=High: SBus → TDcs; DDIR=Low: SBus ← TDcs)	61	TA14	O	} Target address bus signal
12	DEN#	I	Data bus. buffer enable signal	62	TA13	O	
13	AEN#	I	Address bus. buffer enable signal	63	TA12	O	
14	TEST	I	Test signal	64	TA11	O	
15	SA13	I	} System address bus signal	65	TA10	O	} Target address bus signal
16	SA14	I		66	TA9	O	
17	SA15	I		67	TA8	O	
18	SA16	I		68	TA7	O	
19	SA17	I		69	TA6	O	
20	SA18	I	70	TVCC	-	Target power supply (3.3V/5V/OFF)	
21	SA19	I	71	VSS	-	Ground	
22	SA20	I/O	} System address bus signal (TEST=High: Test signal output)	72	TA5	O	} Target address bus signal
23	SA21	I/O		73	TA4	O	
24	SA22	I/O	74	TA3	O		
25	SVCC	-	System power supply (3.3V)	75	TA2	O	
26	VSS	-	Ground	76	TA1	O	
27	SA23	I/O	} System address bus signal (TEST=High: Test signal output)	77	TA0	O	} Target address bus signal
28	SA24	I/O		78	TD0	I/O	
29	SA25	I/O	79	TD1	I/O		
30	SD15	I/O	} System data bus signal	80	TD2	I/O	
31	SD14	I/O		81	TD3	I/O	
32	SD13	I/O		82	VSS	-	Ground
33	SD12	I/O		83	TVCC	-	Target power supply (3.3V/5V/OFF)
34	SD11	I/O		84	TD4	I/O	
35	SD10	I/O	85	TD5	I/O	} Target data bus signal	
36	SD9	I/O	86	TD6	I/O		
37	SD8	I/O	87	TD7	I/O		
38	TD8	I/O	88	SD7	I/O		
39	TD9	I/O	} Target data bus signal	89	SD6	I/O	
40	TD10	I/O		90	SD5	I/O	
41	TD11	I/O		91	SD4	I/O	
42	TD12	I/O	} System data bus signal	92	SD3	I/O	
43	TVCC	-		Target power supply (3.3V/5V/OFF)	93	SD2	I/O
44	VSS	-		Ground	94	SD1	I/O
45	TD13	I/O		95	SD0	I/O	
46	TD14	I/O	} Target data bus signal	96	SA0	I	} System address bus signal
47	TD15	I/O		97	SA1	I	
48	TA25	O	} Target address bus signal	98	SA2	I	
49	TA24	O		99	SA3	I	
50	TA23	O		100	VSS	-	Ground

• S1D13704F00A100 (X3498A00) LCDC (LCD Controller)

 SL: IC200
 SR: IC200

PIN NO.	NAME	I/O	FUNCTION	PIN NO.	NAME	I/O	FUNCTION
1	COREV _{DD}		Power supply +3.3V	41	COREV _{DD}		Power supply +3.3V
2	/WAIT	O	Wait signal	42	DRDY	O	TFT/D-TFD display enable
3	DB15	I/O	Data bus	43	LCDPWR	O	LCD power control
4	DB14	I/O		44	TESTEN	I	Test enable input
5	DB13	I/O		45	CNF4	I	Configure the S1D13704
6	DB12	I/O		46	CNF3	I	
7	DB11	I/O		47	CNF2	I	
8	DB10	I/O		48	CNF1	I	
9	DB9	I/O		49	CNF0	I	
10	IOV _{DD}		Power supply +3.3V	50	V _{SS}		Ground
11	DB8	I/O	Data bus	51	CLKI	I	Input clock
12	DB7	I/O		52	IOV _{DD}		Power supply +3.3V
13	DB6	I/O		Address bus	53	AB15	I
14	DB5	I/O			54	AB14	I
15	DB4	I/O			55	AB13	I
16	DB3	I/O			56	AB12	I
17	DB2	I/O			57	AB11	I
18	DB1	I/O	58	AB10	I		
19	DB0	I/O	59	AB9	I		
20	V _{SS}		Ground	60	V _{SS}		Ground
21	COREV _{DD}		Power supply +3.3V	61	COREV _{DD}		Power supply +3.3V
22	GPIO0	I/O	General purpose input/output	62	AB8	I	Address bus
23	FPDAT11	O	Panel data	63	AB7	I	
24	FPDAT10	O		64	AB6	I	
25	FPDAT9	O		65	AB5	I	
26	FPDAT8	O		66	AB4	I	
27	V _{SS}			Ground	67	AB3	I
28	FPSHIFT	O	Shift clock	68	AB2	I	System bus clock
29	IOV _{DD}		Power supply +3.3V	69	AB1	I	
30	FPDAT7	O	Panel data	70	AB0	I	
31	FPDAT6	O		71	BCLK	I	
32	FPDAT5	O		72	V _{SS}		
33	FPDAT4	O		73	/RESET	I	Reset
34	FPDAT3	O		74	/CS	I	Chip select signal
35	FPDAT2	O	75	/BS	I	Bus start signal	
36	FPDAT1	O	76	/RD	I	Read signal	
37	FPDAT0	O	77	/WE0	I	Write enable signal for the lower data byte	
38	FPLINE	O	Line pulse	78	/WE1	I	Write enable signal for the upper data byte
39	FPRFRAME	O	Frame pulse	79	RD//WR	I	Read/write signal
40	V _{SS}		Ground	80	V _{SS}		Ground

• YM3436D-FZ (XG948E00) DIR2 (Digital Format Interface Receiver)

 DSP: IC143
 AD3: IC059 (PM5D-RH)

PIN NO.	NAME	I/O	FUNCTION	PIN NO.	NAME	I/O	FUNCTION
1	DAUX	I	Auxiliary input for audio data	23	RSTN	I	System reset input
2	HDLT	O	Asynchronous buffer operation flag	24	V _{DDA}		VCO section power (+5V)
3	DOUT	O	Audio data output	25	CTLN	I	VCO control input N
4	VFL	O	Parity flag output	26	PCO	O	PLL phase comparison output
5	OPT	O	F _s x 1 Synchronous output signal for DAC	27	(NC)		
6	SYNC	O	F _s x 1 Synchronous output signal for DSP	28	CTLP	I	VCO control input P
7	MCC	O	F _s x 64 Bit clock output	29	V _{SSA}		VCO section power (GND)
8	WC	O	F _s x 1 Word clock output	30	TSTN	I	Test terminal. Open for normal use
9	MCB	O	F _s x 128 Bit clock output	31	KM2	I	Clock mode switching input 2
10	MCA	O	F _s x 256 Bit clock output	32	KM0	I	Clock mode switching input 0
11	SKSY	I	Clock synchronization control input	33	FS1	O	Channel status sampling frequency display output 1
12	XI	I	Crystal oscillator connection or external clock input	34	FS0	O	Channel status sampling frequency display output 0
13	XO	O	Crystal oscillator connection	35	CSM	I	Channel status output method selection
14	P256	O	VCO oscillating clock connection	36	EXTW	I	External synchronous auxiliary input word clock
15	LOCK	O	PLL lock flag	37	DDIN	I	EIAJ (AES/EBU) data input
16	V _{SS}		Logic section power (GND)	38	LR	O	PLL word clock output
17	TC	O	PLL time constant switching output	39	V _{DD}		Logic section power (+5 V)
18	DIM1	I	Data input mode selection	40	ERR	O	Data error flag output
19	DIM0	I	Data input mode selection	41	EMP	O	Channel status emphasis control code output
20	DOM1	I	Data output mode selection	42	CD0	O	3-wire type microcomputer interface data output
21	DOM0	I	Data output mode selection	43	CCK	I	3-wire type microcomputer interface clock input
22	KM1	I	Clock mode switching input 1	44	CLD	I	3-wire type microcomputer interface load input

● SN75LVDS84ADGGR (X4212A00) LVDS TRANSMITTERS

MAIN: IC51

PIN NO.	NAME	I/O	FUNCTION	PIN NO.	NAME	I/O	FUNCTION
1	D4	I/O	Data bus	25	D20	I/O	Data bus
2	Vcc	-	Power supply	26	CLKIN	I	Input clock for CLKIN MIDI
3	D5	I/O	Data bus	27	SHTDN	-	Ground
4	D6	I/O					
5	GND	-	Ground	28	PLLGND	-	Power supply
6	D7	I/O	Data bus	29	PLLVcc	-	Ground
7	D8	I/O					
8	Vcc	-	Power supply	30	PLLGND	-	Clock output
9	D9	I/O	Data bus	31	LVDSGND	-	
10	D10	I/O	Ground	32	CLKOUTP	O	Clock output
11	GND	-	Ground	33	CLKOUTM	O	
12	D11	I/O	Data bus	34	Y2P	-	Ground
13	D12	I/O					
14	NC	-	Not used	35	Y2M	-	Power supply
15	D13	I/O	Data bus	36	LVDSGND	-	
16	D14	I/O					
17	GND	-	Ground	37	LVDSVcc	-	Ground
18	D15	I/O	Data bus	38	Y1P	-	
19	D16	I/O	Data bus	39	Y1M	-	Not used
20	D17	I/O					
21	Vcc	-	Power supply	40	Y0P	-	Data bus
22	D18	I/O	Data bus	41	Y0M	-	
23	D19	I/O	Data bus	42	LVDSGND	-	Ground
24	GND	-		Ground	43	NC	
				44	D0	I/O	Data bus
				45	D1	I/O	
				46	GND	-	Ground
				47	D2	I/O	Data bus
				48	D3	I/O	

● CS8420 (XW559B00) SRC (Sample Rate Converter)

JK1: IC003-005, 051-053

PIN NO.	NAME	I/O	FUNCTION	PIN NO.	NAME	I/O	FUNCTION
1	SDA/CDOUT	I/O	Serial control data I/O (I ² C) / data out (SPI)	15	TCBL	I/O	Transmit channel status block start
2	AD0/CS	I	Address bit 0 (I ² C) / Control port chip select (SPI)	16	OSCLK	I/O	Serial audio output port bit clock input or output
3	/EMPH	O	Pre-emphasis indicator output	17	OLRCK	I/O	Serial audio output port left/right clock input or output
4	RXP	I	Differential line receiver inputs	18	SDOUT	O	Serial audio output port data output
5	RXN	I					
6	VA+	-	Positive analog power supply (+5V)	19	/INT	O	Interrupt output
7	AGND	-	Analog ground	20	U	I/O	User data
8	FILT	I/O	PLL loop filter	21	OMCK	I	Output section master clock input
9	/RST	I	Reset input	22	DGND	-	Digital ground
10	RMCK	O	Input section recovered master clock output	23	VD+	-	Positive digital power supply (+5V)
11	RERR	O	Receiver error indicator	24	H/S	O	Hardware or software control mode select
12	ILRCK	I/O	Serial audio input port left/right clock input or output	25	TXN	O	Differential line driver outputs
13	ISCLK	I/O	Serial audio input port bit clock input or output	26	TXP	O	
14	SDIN	I	Serial audio input port data input	27	AD1/CDIN	I	Address bit 1 (I ² C) / Serial control data in (SPI)
				28	SCL/CCLK	I	Control port clock

DA1: IC903-906 (PM5D)
 DA2: IC903-905 (PM5D)
 DA3: IC903, 904
 PHN2: IC502
 PHN1: IC502

● AK4393VF-E2 (XW029A00) DAC (Digital to Analog Converter)

PIN NO.	NAME	I/O	FUNCTION	PIN NO.	NAME	I/O	FUNCTION
1	DVSS	-	Digital ground	15	BVSS	-	Substrate ground
2	DVDD	-	Digital power supply	16	VREFL	I	Low level voltage reference
3	MCLK	I	Master clock	17	VREFH	I	High level voltage reference
4	/PD	I	Power down mode	18	AVDD	-	Analog power supply +5 V
5	BICK	I	Audio serial data clock	19	AVSS	-	Analog ground
6	SDATA	I	Audio serial data input	20	AOUTR-	O	Rch negative analog output
7	LRCK	I	L/R clock	21	AOUTR+	O	Rch positive analog output
8	SMUTE/CS	I	Soft mute	22	AOUTL-	O	Lch negative analog output
9	DFS	I	Double speed sampling mode	23	AOUTL+	O	Lch positive analog output
10	DEMP/CCLK	I	De-emphasis enable	24	VCOM	O	Common voltage output
11	DEM1/CDTI	I					
12	DIF0	I					
13	DIF1	I	Digital input format	25	P/S	I	Parallel/serial select
14	DIF2	I					
				26	CKS0	I	Master clock select
				27	CKS1	I	
				28	CKS2	I	

• ICS2008BV-T (X2832B00) T.C. READER/GENERATOR

JK1: IC304

PIN NO.	NAME	I/O	FUNCTION	PIN NO.	NAME	I/O	FUNCTION
1	INTR	O	Interrupt request	23	CTS	I	Clear to send
2	RESET	I	Master reset	24	TXD	O	UART transmit data
3	FRAME	I	Color frame A / B input	25	RTS	O	Ready to send
4	CLICK	I	LTC SYNC input	26	LRCLK	O	SMPTE LTC receive clock
5	LTCIN-	I	SMPTE LTC input -	27	VITCGATE	O	VITE cord is for video overlay
6	LTCIN+	I	SMPTE LTC input +	28	VITCOUT	O	SMPTE VITE output
7	LTCOUT	O	SMPTE LTC output	29	A0	I	Address bus
8	LFC	I	External RC circuit	30	A1	I	Address bus
9	XTAL2	O	14.318 MHz crystal oscillator	31	/SMPTECS	I	SMPTE port chip select
10	XTAL1	I	14.318 MHz crystal oscillator	32	/UARTCS	I	UART chip select
11	AVDD	-	Analog power supply	33	/IOR	I	Read enable
12	AVSS	-	Analog ground	34	VSS	-	Digital ground
13	COUT	O	C(Chroma) output	35	VDD	-	Digital power supply
14	YOUT	O	Y(Luma) output	36	/LOW	I	Write enable
15	C2	I	C(Chroma) input	37	D0	I/O	} Data bus
16	Y2	I	Y(Luma) input	38	D1	I/O	
17	C1	I	C(Chroma) input	39	D2	I/O	
18	Y1	I	Y(Luma) input	40	D3	I/O	
19	STHRESH	I	SYNC threshold bypass input	41	D4	I/O	
20	CTHRESH	I	Clamp threshold bypass input	42	D5	I/O	
21	DTHRESH	I	Data threshold bypass input	43	D6	I/O	
22	RXD	I	UART receive data	44	D7	I/O	

AD1: IC103, 203, 303, 403, 503, 603 (PM5D)

AD2: IC303, 403, 503, 603 (PM5D)

AN13: IC103, 203

TB: IC102

• AK5393VS-E2 (XZ298A00) ADC (Analog to Digital Converter)

PIN NO.	NAME	I/O	FUNCTION	PIN NO.	NAME	I/O	FUNCTION
1	VREFL	O	Lch voltage reference output	15	SDATA	O	Serial data output
2	GNDL	I	Lch ground	16	FSYNC	I/O	Frame synchronization clock
3	VCOML	O	Lch common voltage	17	MCLK	I	Master clock input
4	AINL+	I	Lch positive analog input	18	DFS	I	Double speed sampling mode select
5	AINL-	I	Lch negative analog input	19	HPFE	I	HPF enable
6	ZCAL	I	Zero calibration	20	TEST	I	Test
7	VD	I	Digital power supply +3.3V	21	BGND	I	Substrate ground
8	DGND	I	Digital ground	22	AGND	I	Analog ground
9	CAL	O	Calibration status	23	VA	I	Analog power supply +5V
10	/RST	I	Reset	24	AINR-	I	Rch negative analog input
11	SMODE2	I	} Serial interface mode select	25	AINR+	I	Rch positive analog input
12	SMODE1	I		26	VCOMR	O	Rch common voltage
13	LRCK	I/O	L/R channel select clock	27	GNDR	I	Rch ground
14	SCLK	I/O	Serial data clock	28	VREFR	O	Rch voltage reference output

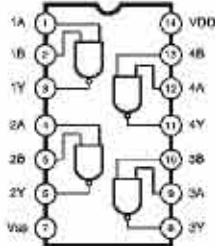
• AK5385AVS-E2 (X4662A00) ADC (Analog to Digital Converter)

AD3: IC105, 305, 505, 705 (PM5D RH)

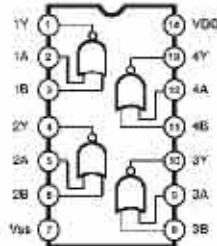
PIN NO.	NAME	I/O	FUNCTION	PIN NO.	NAME	I/O	FUNCTION
1	VREFL	I	Lch voltage reference input	15	SDTOI	O	Audio serial data output
2	AVSS	I	Analog ground	16	CKS1	I	Master clock select
3	VCOM	O	Common voltage output	17	MCLK	I	Master clock input
4	LIN+	I	Lch analog positive input	18	DFS0	I	Sampling speed select
5	LIN-	I	Lch analog negative input	19	HPFE	I	High pass filter enable
6	CKS0	I	Master clock select	20	DFS1	I	Sampling speed select 1
7	DVDD	I	Digital power supply +3.0~5.25V	21	BVSS	I	Substrate ground
8	DVSS	I	Digital ground	22	AVSS	I	Analog ground
9	OVF	O	Analog input overflow detect	23	AVDD	I	Analog power supply +4.75~5.25V
10	PDN	I	Power down mode	24	RIN-	I	Rch analog negative input
11	DIF	I	} Audio interface format	25	RIN+	I	Rch analog positive input
12	M/S	I		26	TEST	I	Test
13	LRCK	I/O	Output channel clock	27	AVSS	I	Analog ground
14	BICK	I/O	Audio serial data clock	28	VREFR	I	Rch voltage reference input

IC BLOCK DIAGRAM

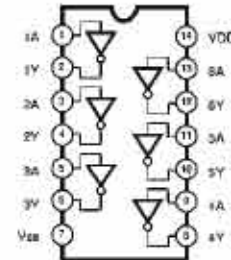
- **TC74VHC00F** (XT229A00)
HD74LV00AFPEL (IS000000)
74VHC00SJX (X3242A00)
TC74VHC00FT (X2313A00)
 Quad 2 Input NAND
 AD3: IC053 (PM5D-RH)
 DSP: IC141
 FDB: IC546, 547, 549
 FDC: IC903, 905
 MAIN: IC061
 SR: IC210



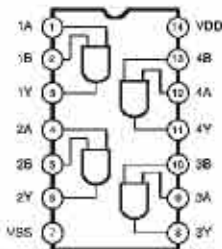
- **HD74LV02AFPEL** (IS000200)
SN74HC02NSR (XC724A00)
 Quad 2 Input NOR
 CN1R: IC107 (PM5D-RH)
 PN1: IC502



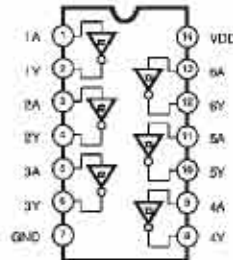
- **HD74LV04AFPEL** (IS000400)
SN74HCU04NSR (XW842A00)
HD74LVU04AFPEL (XY102A00)
SN74AHC04PWR (X4129A00)
TC74VHC04FT (X0195A00)
74VHC04SJX (XY871A00)
SN74LS06NSR (XP985A00)
 Hex Inverter
 AD3: IC007 (PM5D-RH)
 JK1: IC001, 409, 410
 MAIN: IC049, 059, 066
 PN1: IC504
 SL: IC207
 SR: IC207



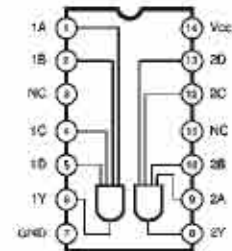
- **TC74VHC08F** (XT014A00)
TC74VHCT08AF (XV495A00)
HD74LV08AFPEL (IS000800)
TC74VHC08FT (XV891A00)
 Quad 2 Input AND
 AD3: IC061, 901 (PM5D-RH)
 MAIN: IC014, 039, 043, 047



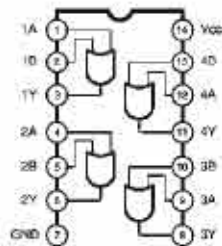
- **74VHC14SJX** (XZ200A00)
TC74VHC14F-EL (XW876A00)
 Hex Inverter
 DSP: IC134
 JK1: IC459
 JK2: IC514
 MAIN: IC074



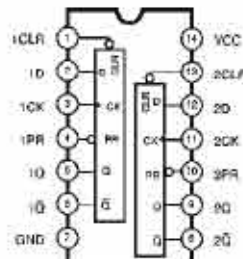
- **SN74LV21APWR** (X2377A00)
 Dual 4 Input AND
 SL: IC806



- **TC74VHC32F-TEL** (XR337A00)
TC74VHC32FT (XY945A00)
HD74LV32AFPEL (IS003200)
 Quad 2 Input OR
 AD3: IC012 (PM5D-RH)
 MAIN: IC016
 SL: IC205
 SR: IC205

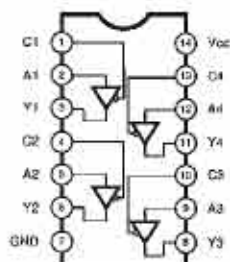


- **HD74LV74AFPEL** (IS007400)
74VHC74SJX (XY875A00)
 Dual D-Type Flip-Flop
 AD3: IC008 (PM5D-RH)
 DSP: IC195
 FDB: IC548
 FDC: IC904
 JK1: IC055
 PN1: IC503
 SL: IC204
 SR: IC204

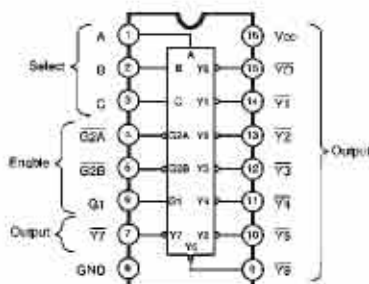


INPUTS				OUTPUTS	
PR	CLR	CLK	D	Q	Q̄
L	H	X	X	H	L
H	L	X	X	L	H
L	L	X	X	H	H
H	H	L	H	H	L
H	H	L	L	L	H
H	H	L	X	Q _n	Q _n

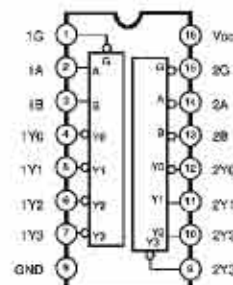
- **HD74LV125AFPEL** (IS012500)
TC74VHC125F (XW313A00)
74VHC125SJX (XY959A00)
 Quad 3-State Bus Buffer
 JK1: IC351
 MAIN: IC045, 087



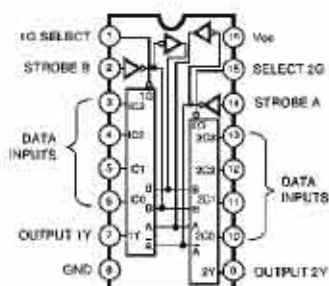
- **TC74VHC138F** (XT015A00)
74VHC138SJX (XY873A00)
SN74LV138ANSR (IS013810)
 3 to 8 Demultiplexer
 AD3: IC962 (PM5D-RH)
 JK1: IC402
 JK2: IC526
 SL: IC105, 250, 804, 900
 SR: IC105, 250, 804



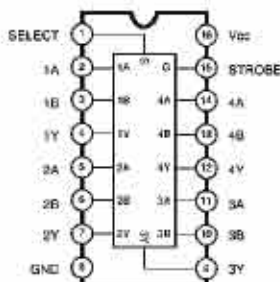
- **TC74VHC139F(EL)** (XW324A00)
SN74LV139ANSR (IS013910)
 Dual 2 to 4 Demultiplexer
 AD3: IC016 (PM5D-RH)
 JK1: IC401



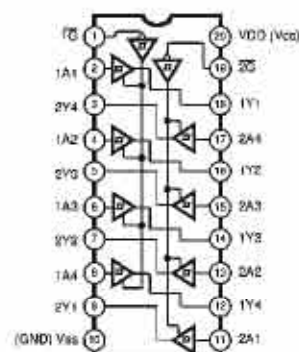
- **74VHC153SJX** (X4371A00)
 Dual 4 to 1 Data Selectors
 JK1: IC054, 056, 057



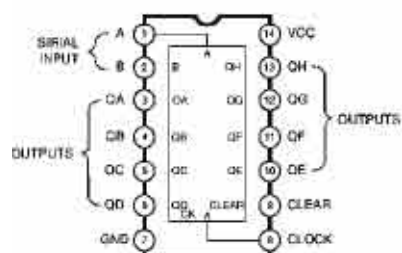
- **74VHC157SJX** (XY870A00)
HD74LV157AFPEL (IS015700)
 Quad 2 to 1 Multiplexer
 AD3: IC930 (PM5D-RH)
 DSP: IC183, 184, 189, 190, 257, 258, 260, 261



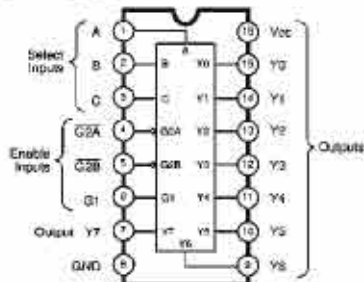
- **74VHC244SJX** (X4369A00)
SN74LV244APWR (X3292A00)
TC74VHC244FT (XW234A00)
 Octal 3-State Bus Buffer
 AD3: IC003 (PM5D-RH)
 JK1: IC458
 JK2: IC533, 534
 MAIN: IC026, 027
 SL: IC103
 SR: IC103



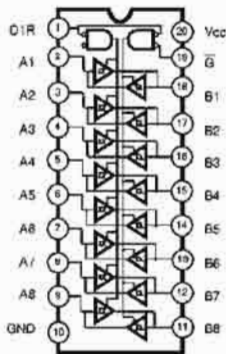
- **SN74LV164ANSR** (IS016410)
 8-Bit Shift Register
 MAIN: IC080



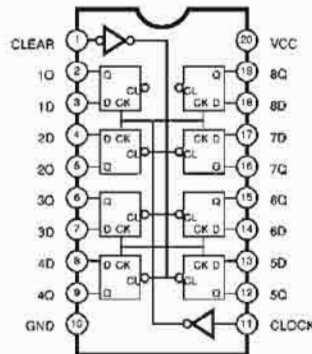
- **TC74HC238AF** (XT163A00)
 3 to 8 Line Decoder
 FDB: IC545
 FDC: IC902
 PN1: IC501
 SL: IC202
 SR: IC202



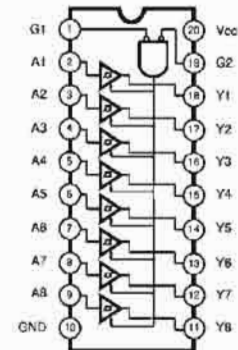
- **TC74VHCT245AF** (XV242A00)
74VHC245SJX (XY874A00)
SN74HC245NSR (XD838A00)
SN74LV245APWR (X3693A00)
TC74HC245AF (XS720A00)
TC74VHC245FT (XU797A00)
TC74VHCT245AFT (XT744A00)
 Octal 3-State Bus Transceiver
 AD1: IC001, 002 (PM5D)
 AD2: IC001, 002 (PM5D)
 AD3: IC001, 008, 009, 014, 015, 051, 056, 057, 927, 928 (PM5D-RH)
 ANI3: IC001
 CN1R: IC101-106, 108 (PM5D-RH)
 DA1: IC901, 902
 DA2: IC901, 902
 DA3: IC901
 DSP: IC102, 104-110, 114-121, 124-131, 144, 148-151, 153, 159-162, 165-172, 175, 176, 178, 180, 181, 185, 186, 191, 192, 217, 218, 224, 225, 230, 239, 240, 253, 263-265, 267, 268, 274, 277, 278, 287-289, 302-305
 FDA: IC027
 FDB: IC527-530, 532
 FDC: IC601-603, 702
 JK1: IC403, 451-454, 456, 457
 JK2: IC521-525, 527, 529-532
 MAIN: IC005, 025, 028-036, 068-071
 PHN1: IC501
 PHN2: IC501
 PN1: IC300, 301
 SL: IC251, 450-452, 801-803
 SR: IC251, 252, 801, 802
 TB: IC103



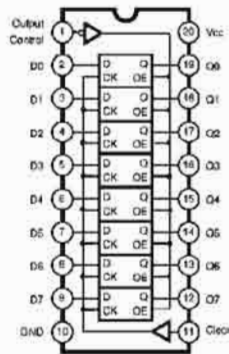
- **74VHC273SJX** (X4370A00)
TC74VHC273F(EL) (XY254A00)
HD74LV273AFPEL (IS027300)
 Octal D-Type Flir Flop
 AD3: IC963-968, 970, 971 (PM5D-RH)
 FDA: IC023, 024
 FDB: IC523, 524
 FDC: IC502, 503
 JK1: IC405-408
 JK2: IC519, 520, 528



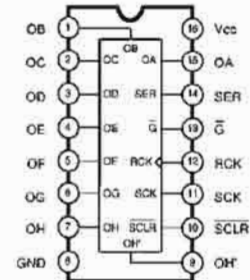
- **74VHC541SJX** (XY961A00)
 Octal 3-State Buffer
 DSP: IC101, 154-157, 196, 266, 269-271, 273, 275, 276, 279-285
 MAIN: IC058



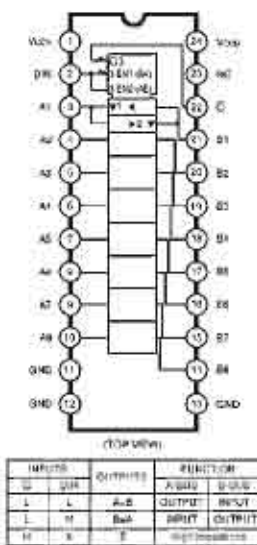
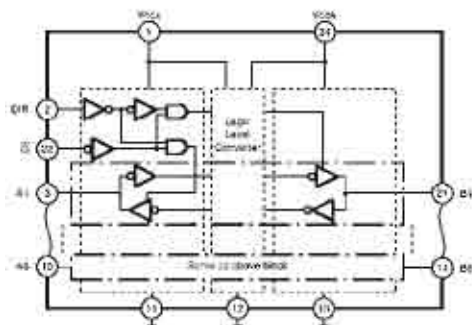
- **SN74LV574ANSR** (IS057410)
 Octal D-Type Flip-Flop
 FDA: IC014, 021
 FDB: IC514, 521
 FDC: IC401, 408



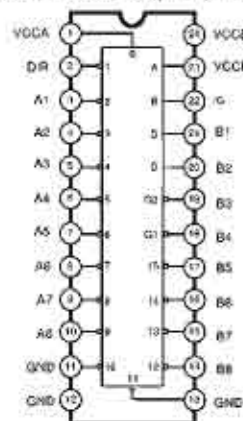
- **HD74LV595AFPEL** (IS059500)
 8-Bit Shift Register with Output Latches
 FDB: IC544
 FDC: IC901
 PN1: IC500
 SL: IC209
 SR: IC209



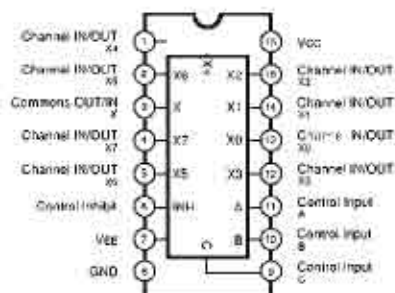
- **TC74LVXC3245FS (XY907A00)**
Dual Supply Octal Bus Transceiver
MAIN: IC057, 063



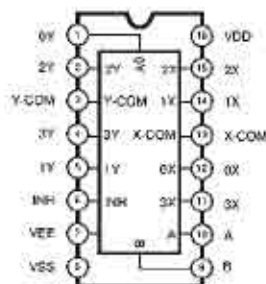
- **74LVX4245MTCX (X3097A00)**
TC74LVX4245FS (XU229A00)
Dual Supply Octal Bus Transceiver
AD3: IC017, 018 (PM5D-RH)
DSP: IC111-113, 122, 123, 132, 133



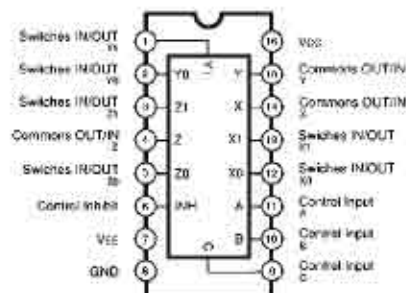
- **HD74HC4051FPEL (XP373A00)**
Single 8-Channel
Multiplexer/Demultiplexer
FDA: IC016, 017
FDB: IC516, 517
FDC: IC403, 404



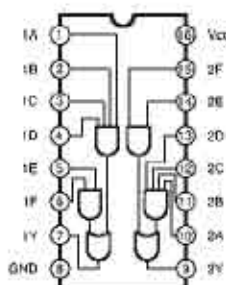
- **TC74HC4052AF (XS790A00)**
Differential 4-Channel
Multiplexer/Demultiplexer
FDA: IC022, 025
FDB: IC522, 525
FDC: IC501, 504



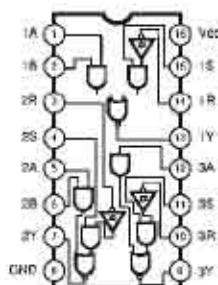
- **TC74HC4053AF(EL) (XY879A00)**
Triple 2-Channel
Multiplexer/Demultiplexer
AD3: IC102, 202, 302, 402, 502, 602,
702, 802 (PM5D-RH)



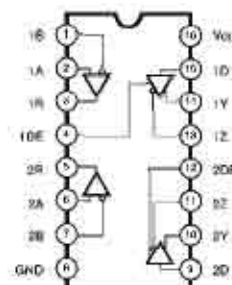
- **SN75121NSR (XU816A00)**
Dual Line Driver
JK1: IC151



- **SN75124NSR (XV930A00)**
Triple Line Receiver
JK1: IC101

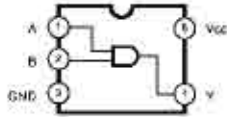


- **SN75C1168NSR (XU073A00)**
Line Driver / Receiver
JK2: IC515



● **SN74AHC1G08HDCKR** (XZ217A00)
Single 2-Input Positive-AND Gate

FDA: IC040, 150
FDB: IC731
FDC: IC604
SL: IC109, 807
SR: IC109, 806



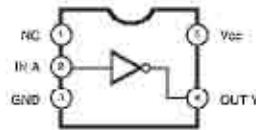
FUNCTION TABLE

INPUTS		OUTPUT
A	B	Y
H	H	H
L	X	L
X	L	L

● **TC7S04F** (XM182A00)
TC7SH04FU (XS775A00)
Inverter Gate

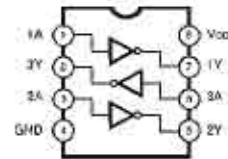
AD1: IC003 (PM5D)
AD2: IC003 (PM5D)
AD3: IC020, 055, 060, 931, 969
(PM5D-RH)

ANI3: IC002
DA1: IC900
DA2: IC900
DA3: IC900
DSP: IC103, 138, 145, 147, 152
MAIN: IC012, 064
PHN1: IC500
PHN2: IC500
TB: IC104



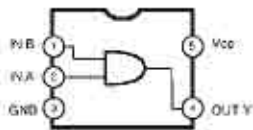
● **TC7WU04F** (XN567A00)
Triple Inverter

SL: IC210, 211
SR: IC111, 211



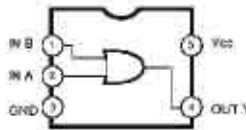
● **TC7SH08FU** (XR680A00)
2 Input AND Gate

AD3: IC019, 985 (PM5D-RH)
MAIN: IC011, 024, 073



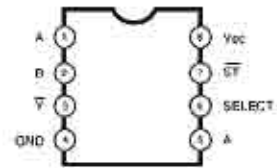
● **TC7SH32FU(TE85L)** (XW633A00)
2-Input OR Gate

DSP: IC164, 286
MAIN: IC004, 019



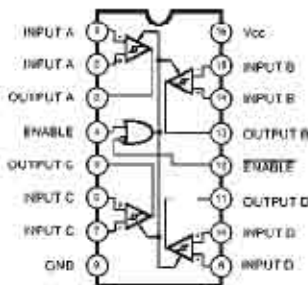
● **TC7WH157FU** (XV865A00)
2-Channel Multiplexer

MAIN: IC007



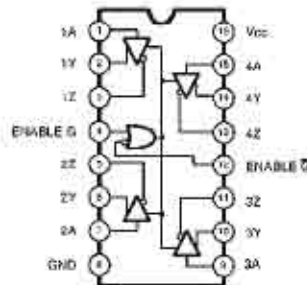
● **DS26C32ATMX** (XU815A00)
Quad Differential Line Receiver

JK2: IC502-506, 512



● **AM26LS31CNSR** (XU996A00)
Quad Line Driver

JK2: IC501, 507-511



INPUT	ENABLES			OUTPUTS	
	A	D	G	Y	Z
H	H	Z	Z	H	L
L	H	X	L	L	H
H	X	L	H	L	L
L	X	L	L	L	H
X	L	H	Z	Z	Z

H= high level
L= low level
X= irrelevant
Z= high impedance (oh)

● **TB62705CF(EL) (XV013A00)**

LED Driver

FDA: IC029-031, 033-035, 037-039

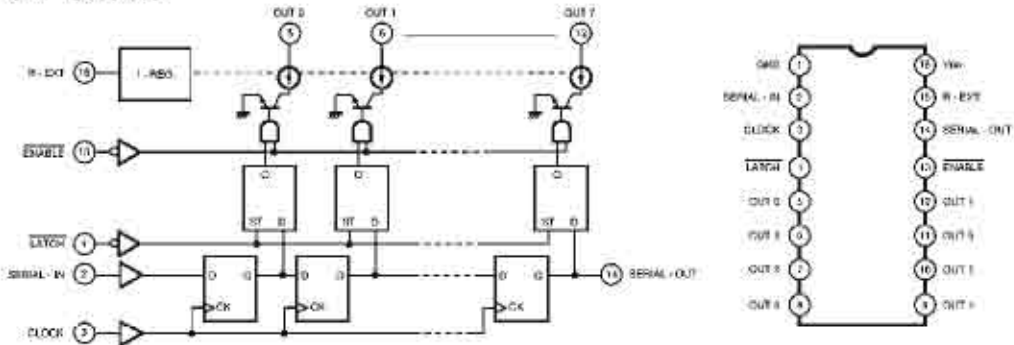
FDB: IC533-535, 537-539, 541-543

FDC: IC802, 803, 805, 807

PN1: IC601-604, 606-609, 611-614, 616

SL: IC300-320

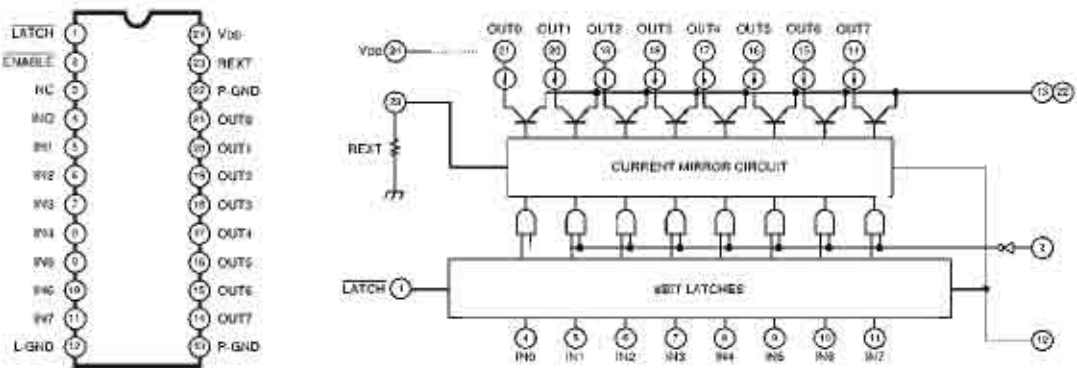
SR: IC300-306



● **TB62707F(EL) (X5127A00)**

LED DRIVER

AD3: TA961 (PM5D-RH)



● **TD62M8600F (XV014A00)**

Source Driver

FDA: IC032, 036

FDB: IC536, 540

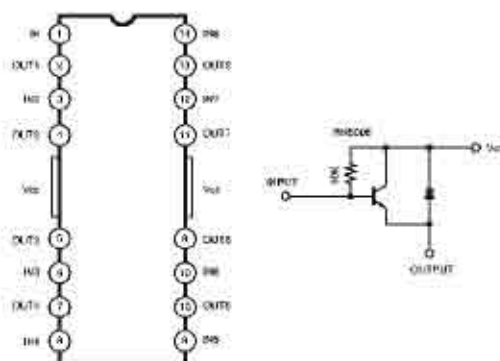
FDC: IC801, 804, 806

PN1: IC600, 605, 610, 615, 617

PN2: IC300, 301

SL: IC400-406

SR: IC400-403



● **NJU7074M(TE1) (X3700A00)**

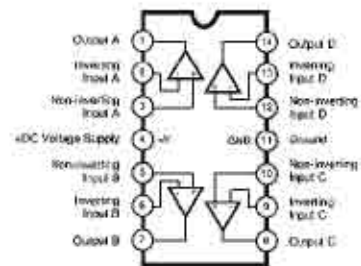
NJM2902M-TE1 (X4983A00)

Quad Operational Amplifier

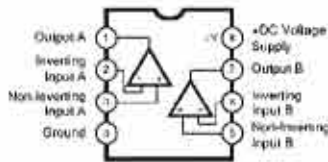
FDA: IC002-013, 018-020

FDB: IC502-513, 518-520

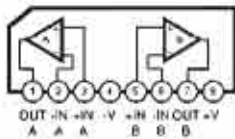
FDC: IC102-107, 202-207, 302, 303, 402, 405-407



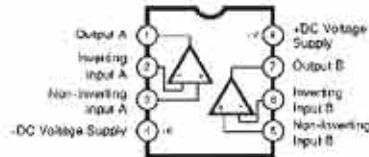
- **NJM2904V(Te1)** (XR532A00)
Dual Operational Amplifier
JK2: IC517, 518
MAIN: IC003



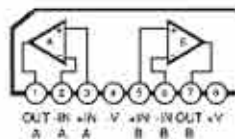
- **NJM2068L-D** (XM356A00)
Dual Operational Amplifier
ANI1: IC100, 102, 103 (PM5D)
ANI2: IC100, 101, 200, 201 (PM5D)



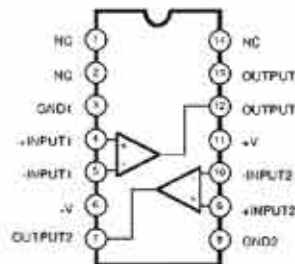
- **PC4570G2** (XF291A00)
NJM4560M(T1) (XA862B00)
NJU7072M(Te1) (X3701A00)
NJM2068MD-TE2 (X3505A00)
Dual Operational Amplifier
AD1: IC101, 102, 201, 202, 301, 302, 401, 402, 501, 502, 601, 602 (PM5D)
AD2: IC301, 302, 401, 402, 501, 502, 601, 602 (PM5D)
AD3: IC103, 104, 203, 204, 303, 304, 403, 404, 503, 504, 603, 604, 703, 704, 803, 804 (PM5D-RH)
ANI3: IC100-102, 200-202
DA1: IC101, 201, 301, 401, 501, 601, 701, 801
DA2: IC101, 102, 201, 301, 302, 401, 501, 502
DA3: IC101, 201, 301, 401
FDA: IC015
FDB: IC515
HIC-HA: IC101, 102
JK1: IC302
PHN1: IC600, 601
PHN2: IC600, 601
TB: IC100, 101



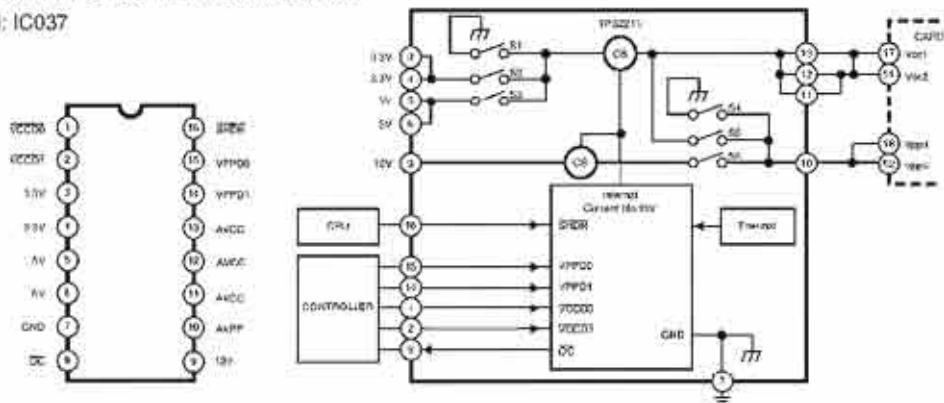
- **NJM4556AL** (XP844A00)
Dual Operational Amplifier
ANI1: IC101 (PM5D)
DA1: IC102, 202, 302, 402, 502, 602, 702, 802
DA2: IC103, 203, 303, 403, 503
DA3: IC102, 202, 302, 402



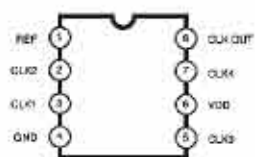
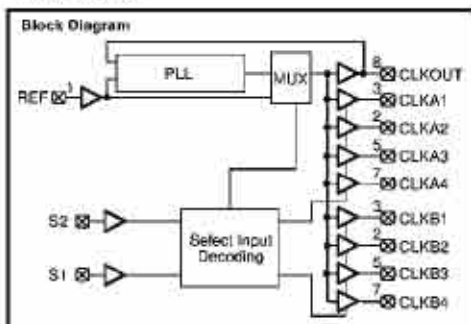
- **PC319G2** (IG156700)
Voltage Comparator
JK1: IC303



- **TPS2211IDBR** (XY906A00)
PCMCIA Power Interface Switch
MAIN: IC037

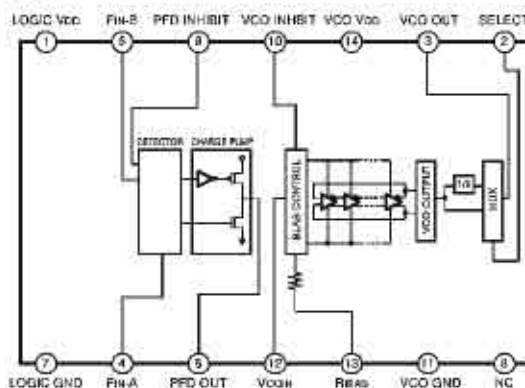
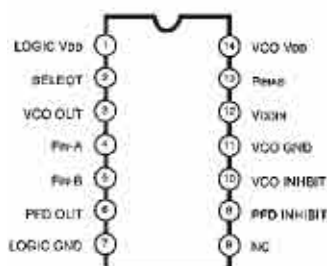


● **CY2305SXC-1T (XY937A00)**
 Clock Buffer
 MAIN: IC013

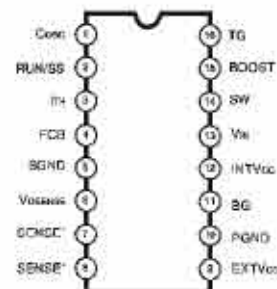
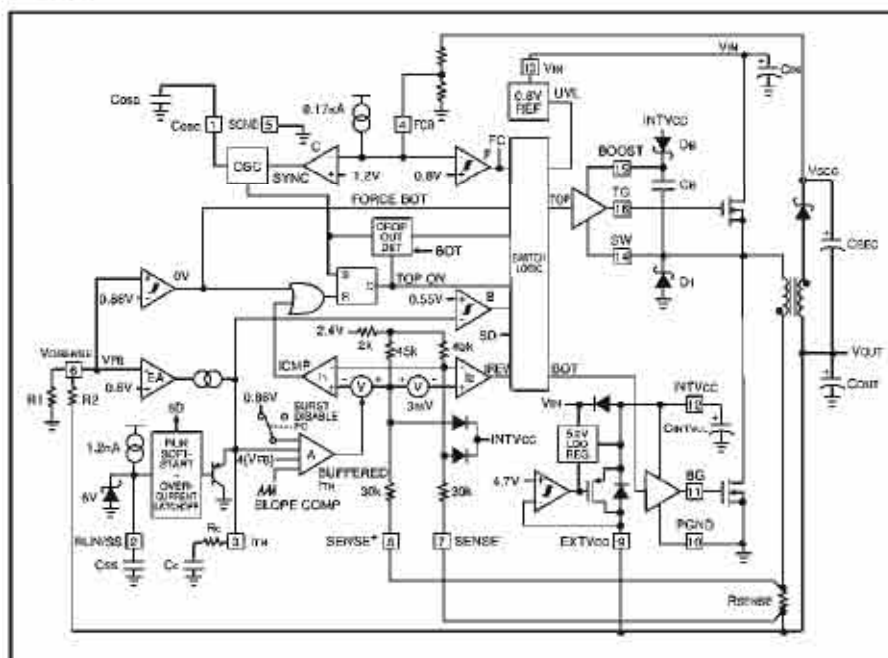


Pin No.	Signal	Function
1	REF	Input reference frequency, 5V-tolerant input
2	CLK2	Buffered clock output
3	CLK3	Buffered clock output
4	GND	Ground
5	CLK5	Buffered clock output
6	VDD	3.3V supply
7	CLK4	Buffered clock output
8	CLKOUT	Buffered clock output, internal feedback on this pin

● **TLC2932IPWR (XV064A00)**
 PLL
 AD3: IC058 (PM5D-RH)
 DSP: IC146, 158



● **LTC1735CS (X2005A00)**
 DC-DC Converter
 DSP: IC290

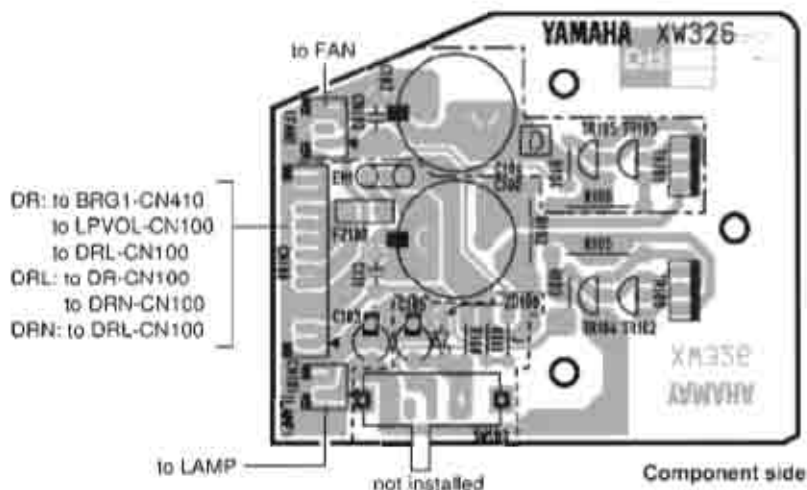


■ CIRCUIT BOARDS

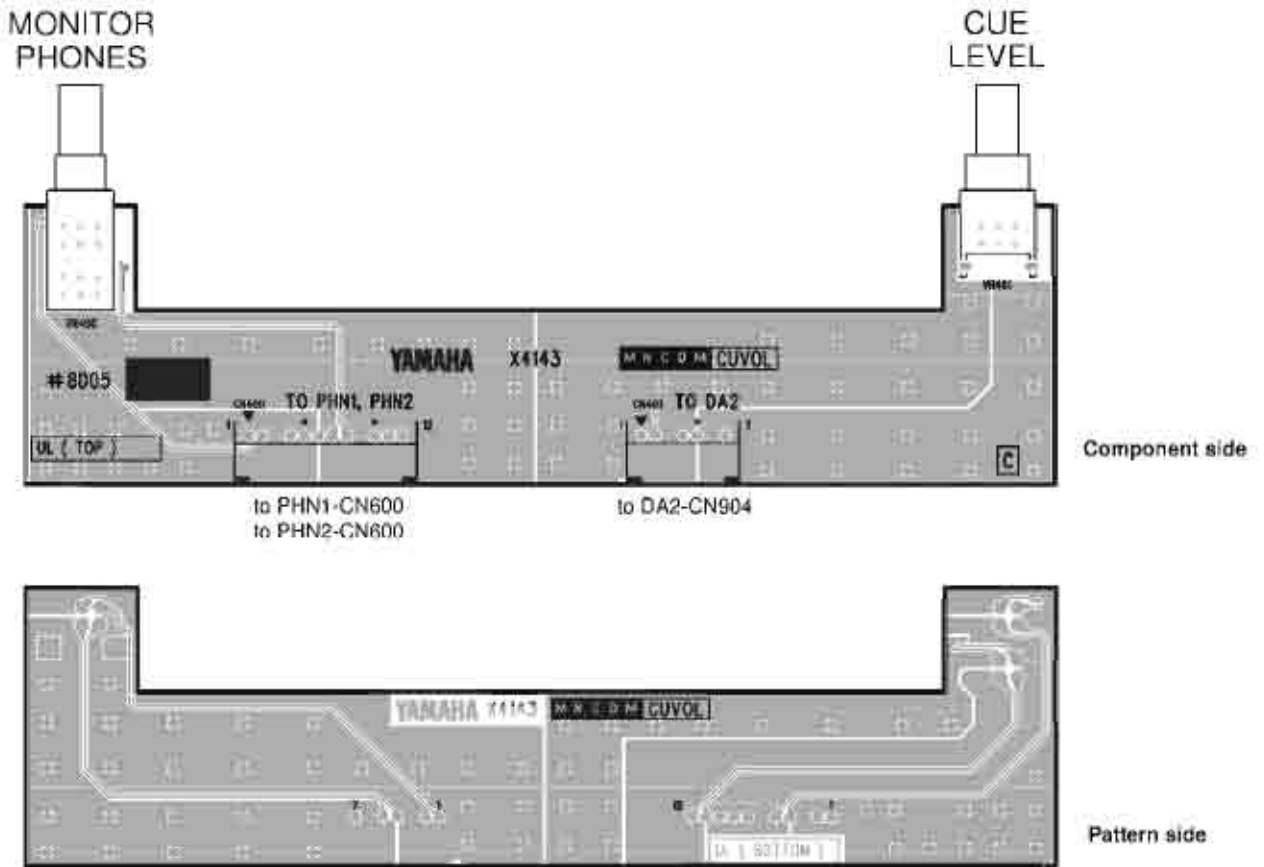
AD1 (XZ020C0)	158/160	JK2 (X4117C0)	156
AD2 (X4144C0)	162/163	LED (X4164B0)	170/171
AD3 (X4874C0)	164/166	LD (X4974C0)	184
ANI1 (XZ032C0)	168/169	LPVOL (X4144C0)(PM5D)	187
ANI2 (X4164B0)	170/171	LPVOL (X4974C0)(PM5D-RH)	187
ANI3 (X4168C0)	172/173	MAIN (X4042B0)	94/96
BRG1 (X4613B0)	106/108	MNVOL (X4143C0)	93
BRG2 (X4099B0)	110/111	OPT (X4116C0)	182
BRG3 (X4100B0)	112/113	PHN1 (X4143C0)	189
BRG4 (X4530B0)	114/116	PHN2 (X4171B0)	188
BRG5 (X4613B0)	118/119	PN1 (X4092B0)	128/130
CN1R (X4976B0)	180/181	PN2 (X4091B0)	132
CUVOL (X4143C0)	93	PN3 (X4090C0)	134/135
DA1 (X4169B0)	174/175	PN4 (X4095B0)	136/138
DA2 (X4170B0)	176/177	PN5 (X4095B0)	137/139
DA3 (X4171B0)	178/179	PN6 (X4096C0)	140/141
DR (XW326D0)	92	PN8 1/2 (X4097B0)	142/143
DRL (XW326D0)	92	PN8 2/2 (X4097B0)	142/143
DRN (XW326D0)	92	SL (X4093B0)	120/122
DSP (X4115B0)	98/100/102/104	SR (1/2) (X4094B0)	124/126
FDA (X4098C0)	144/146	SR (2/2) (X4094B0)	121
FDB (X4158C0)	148/150	STLD (X4974C0)	186
FDC (X4141D0)	152	SW48 (X4974C0)	187
HIC-HA (X4876B0)	167	TB (X4143C0)	190
JK1 (X5102B0)	154	TBVOL (X4143C0)	93

Note : See parts list for details of circuit board component parts.

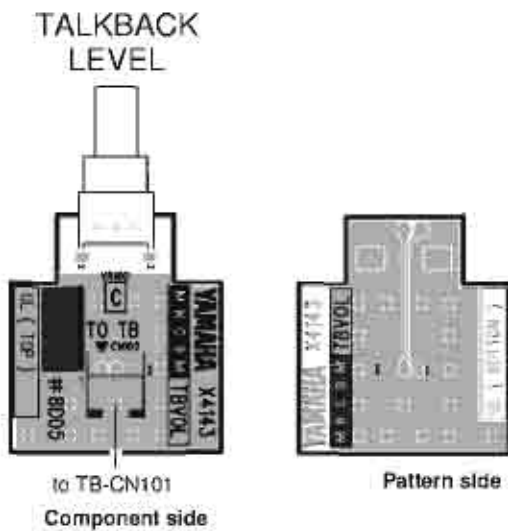
● DR Circuit Board, DRL Circuit Board, DRN Circuit Board



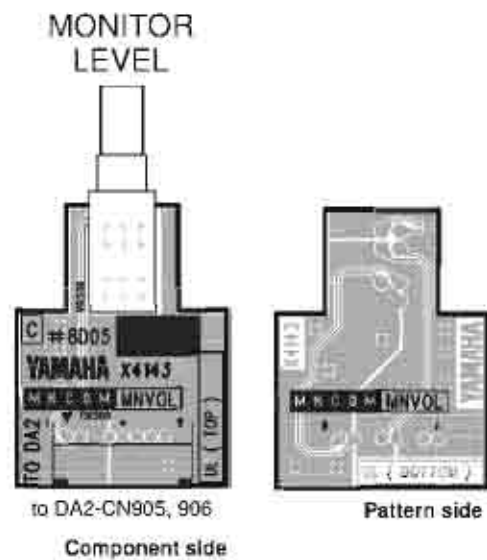
● CUVOL Circuit Board



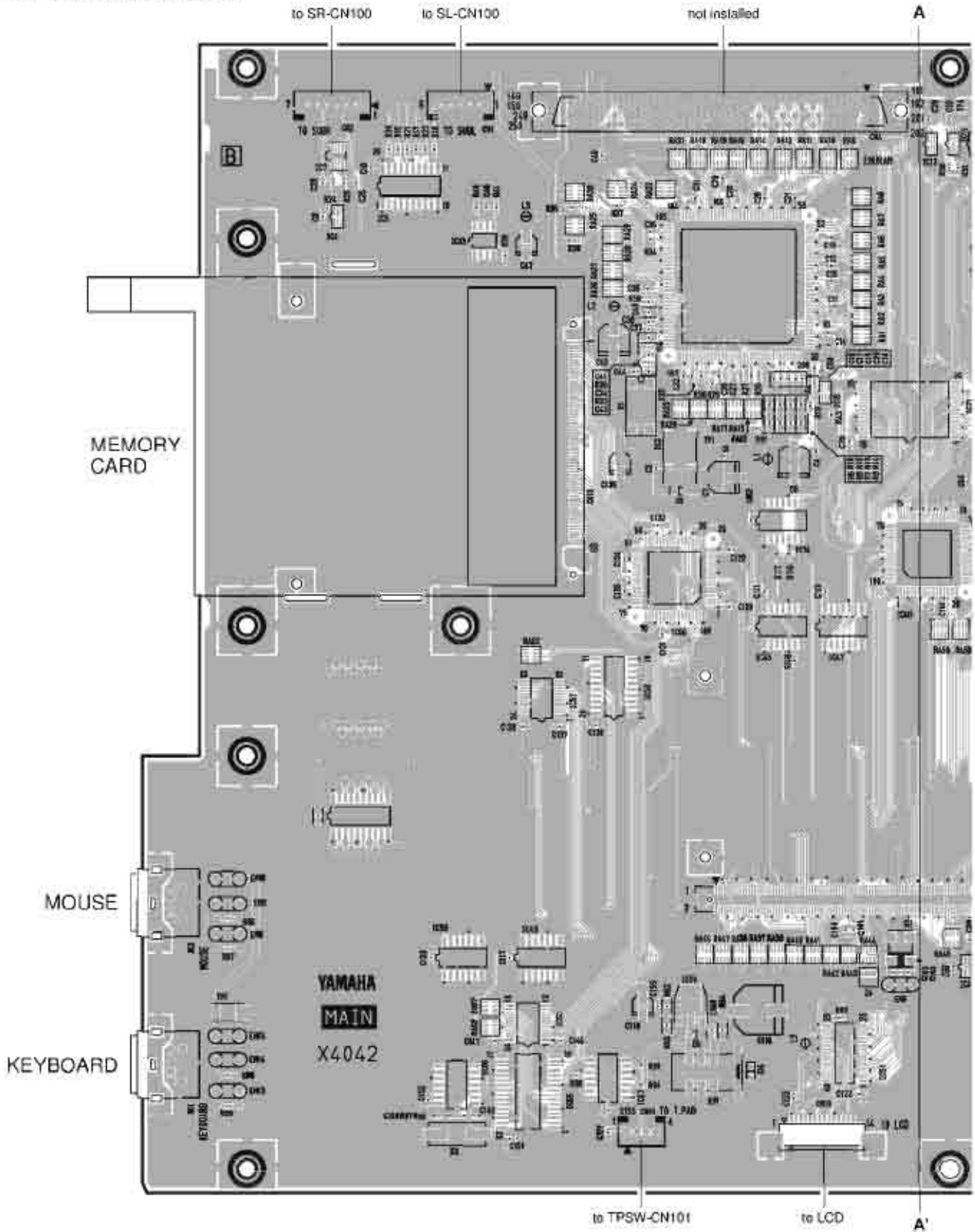
● TBVOL Circuit Board



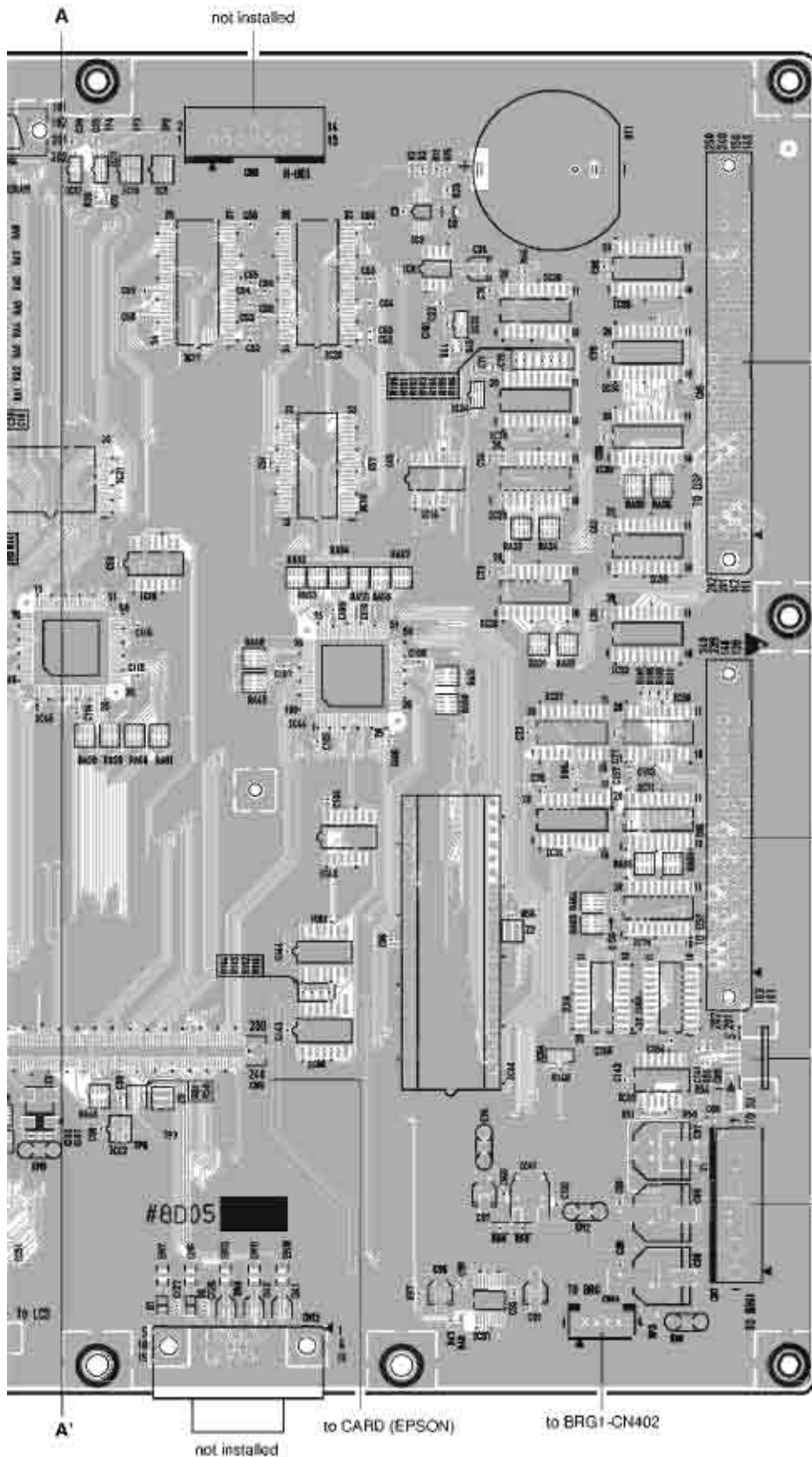
● MNVOL Circuit Board



● MAIN Circuit Board



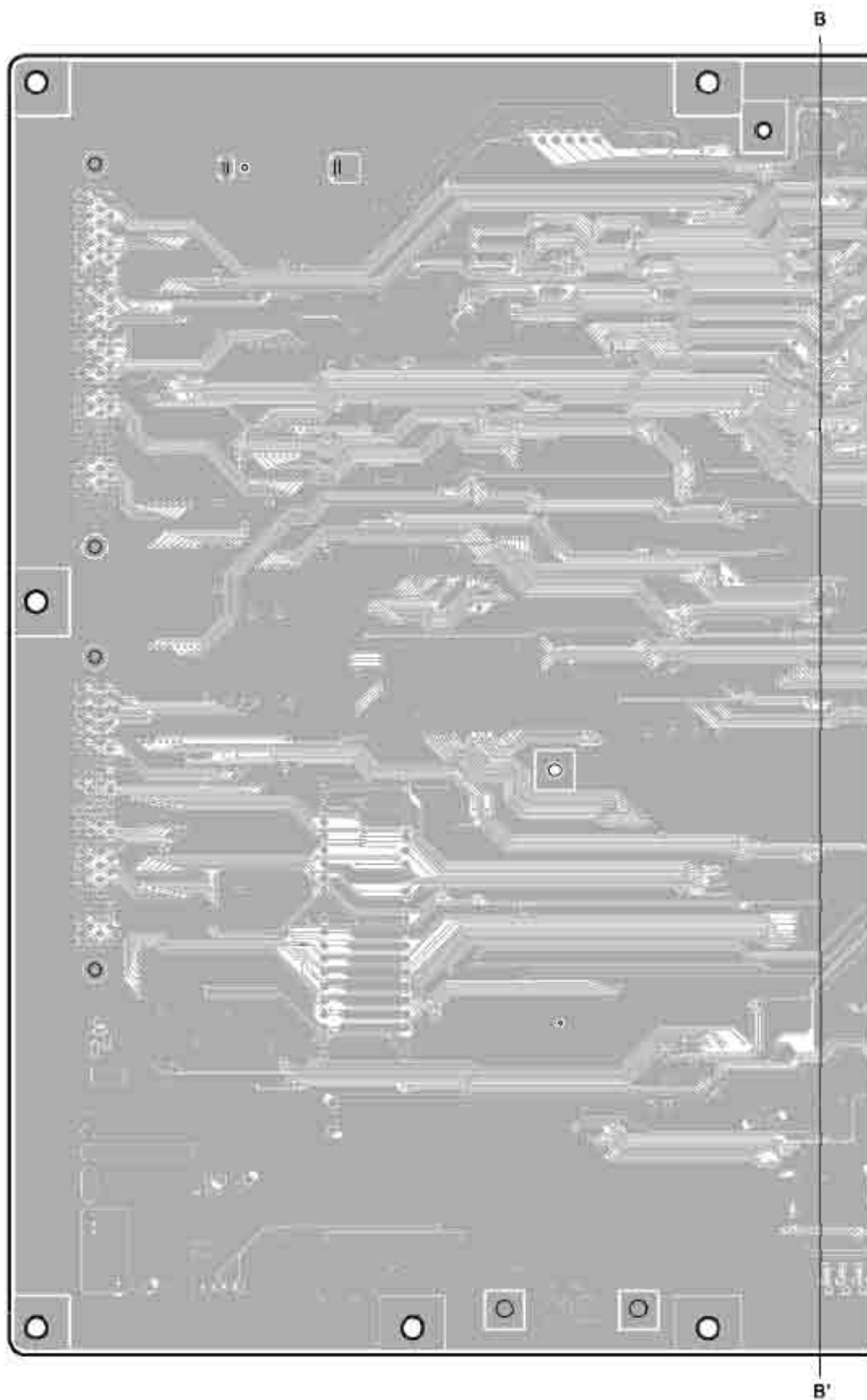
• Lithium Battery

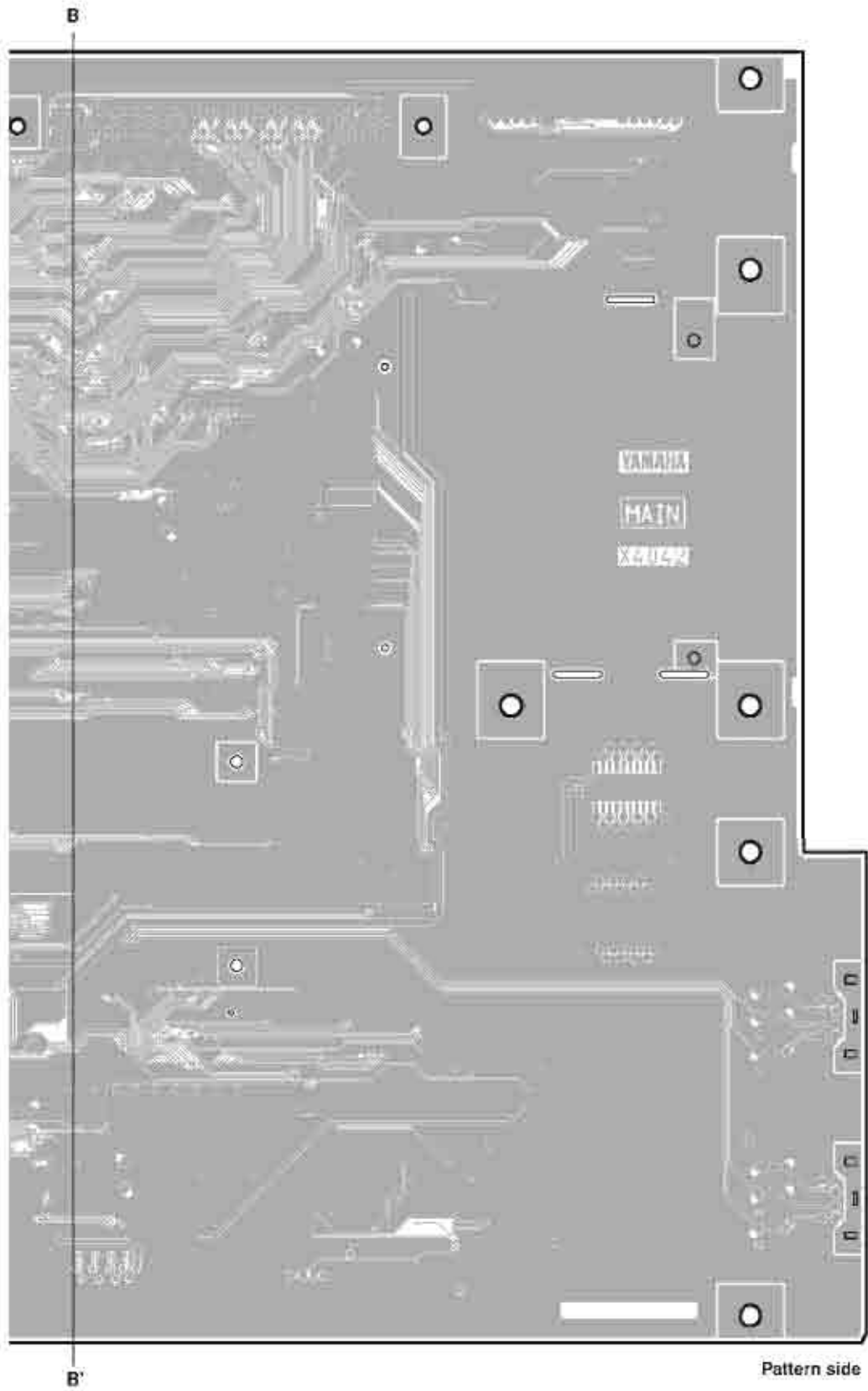


Battery VN103500
VN103600(Battery holder for VN103500)

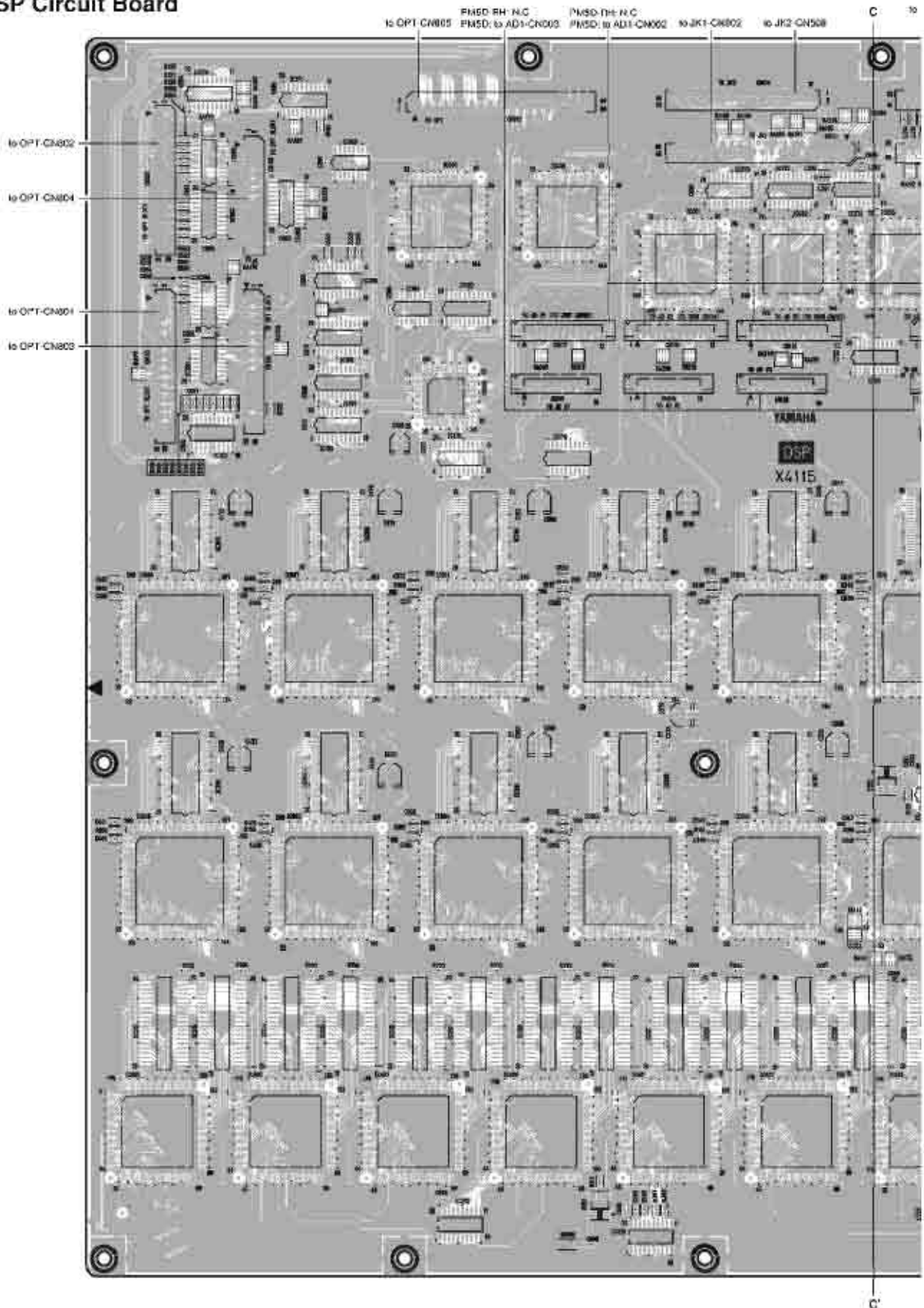
- Notice for back-up battery removal
Push the battery as shown in figure, then the battery will pop up.
- Druk de batterij naar beneden zoals aangegeven in de tekening de batterij springt dan naar voren.

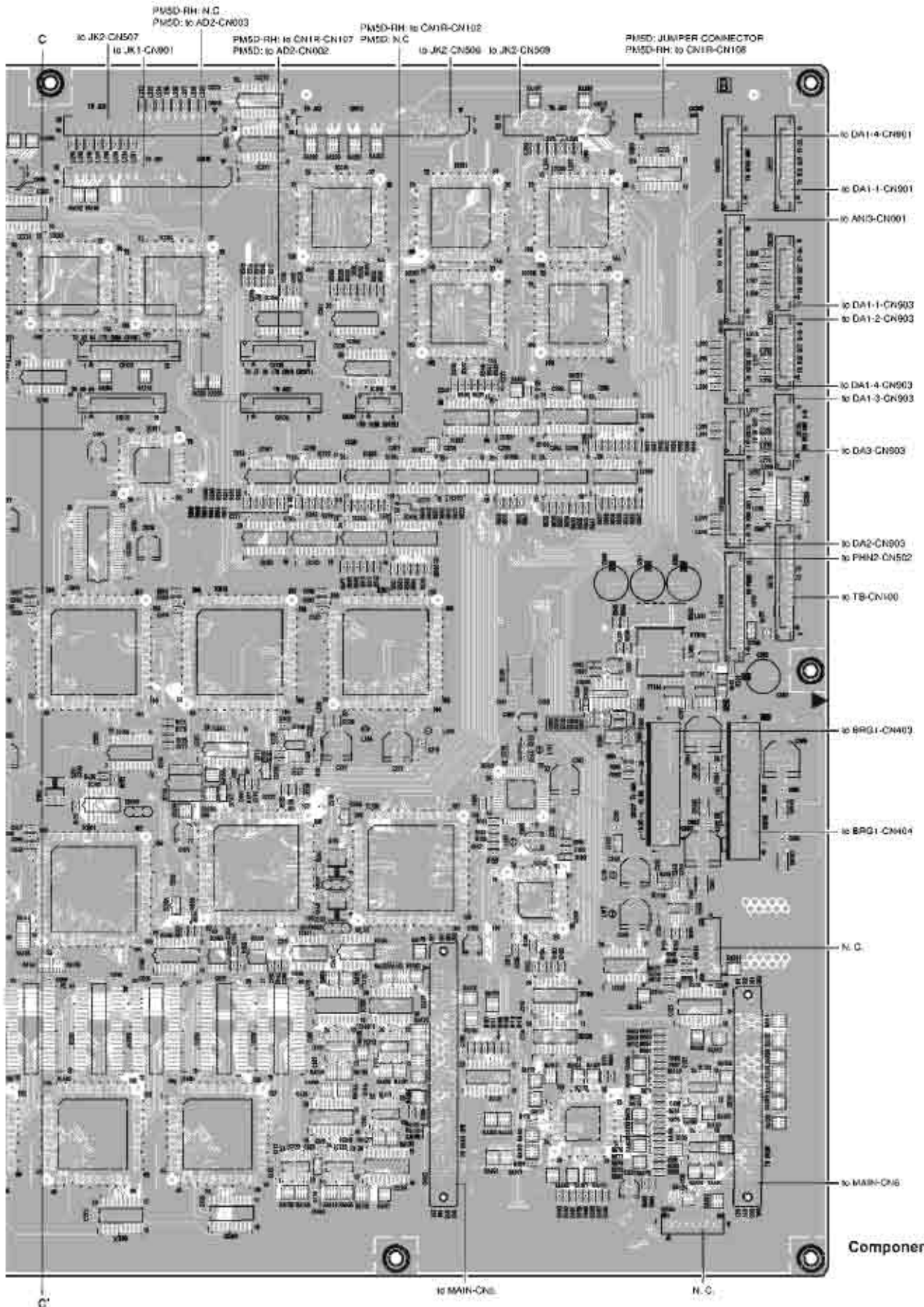
● MAIN Circuit Board



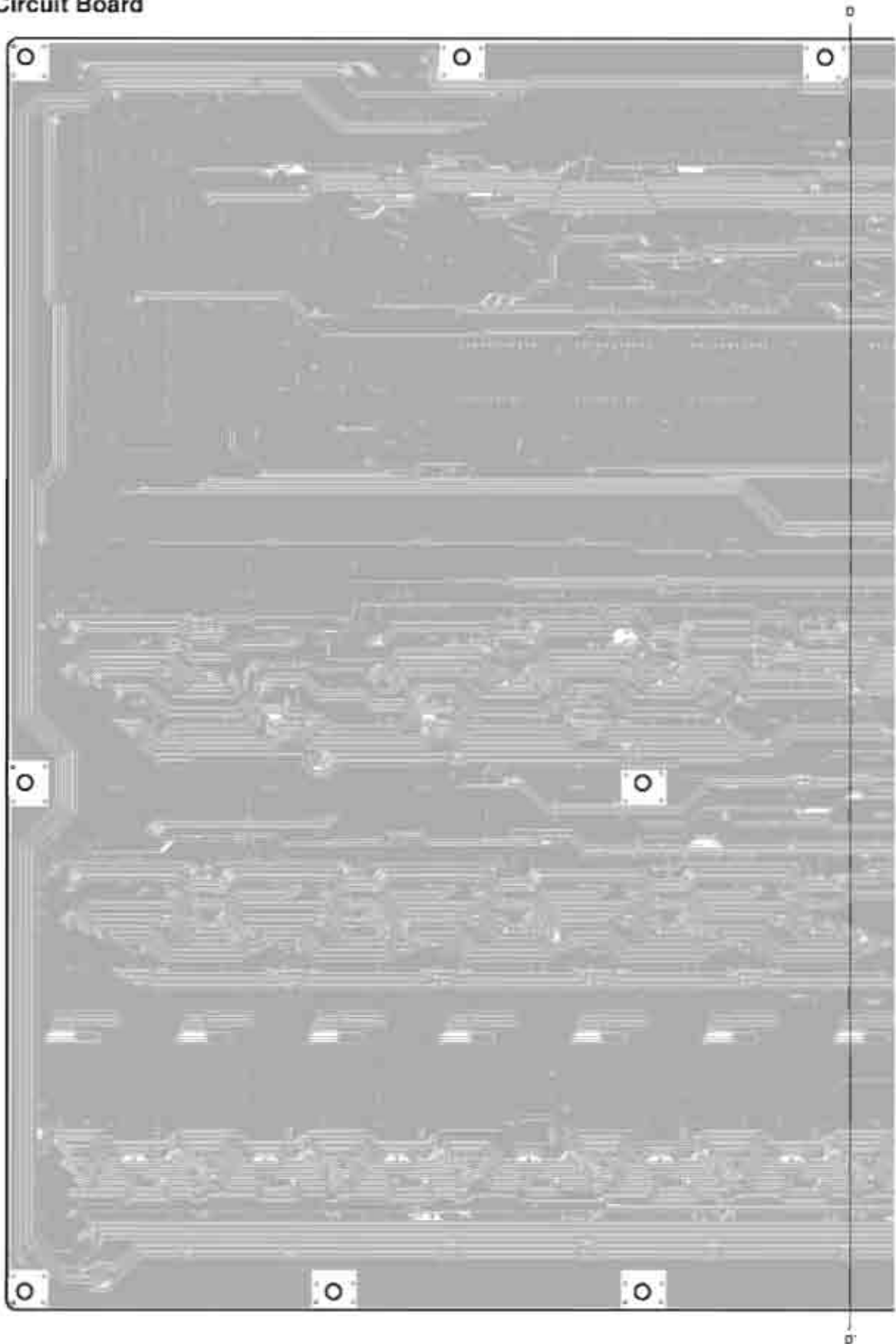


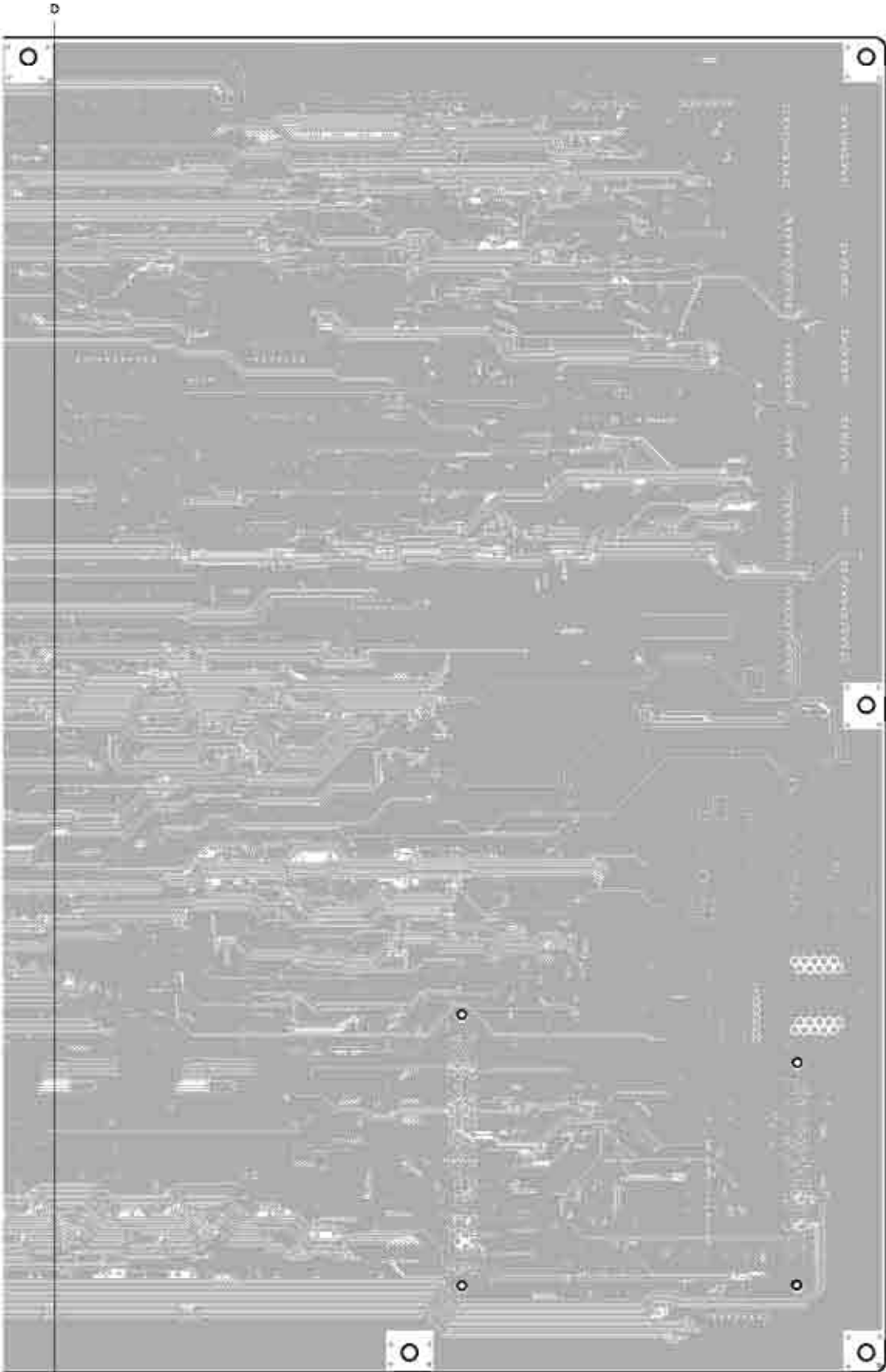
● DSP Circuit Board





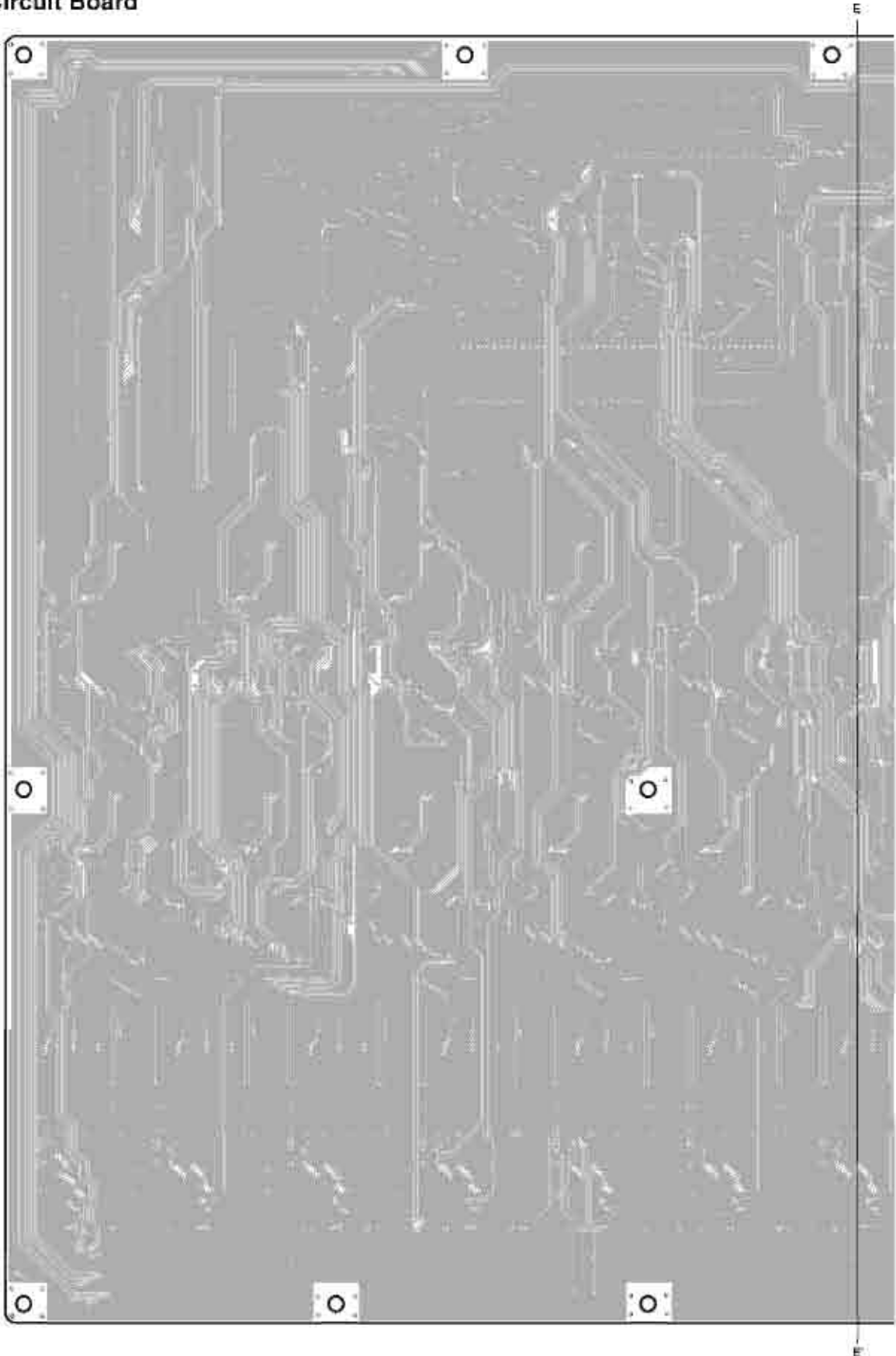
● DSP Circuit Board

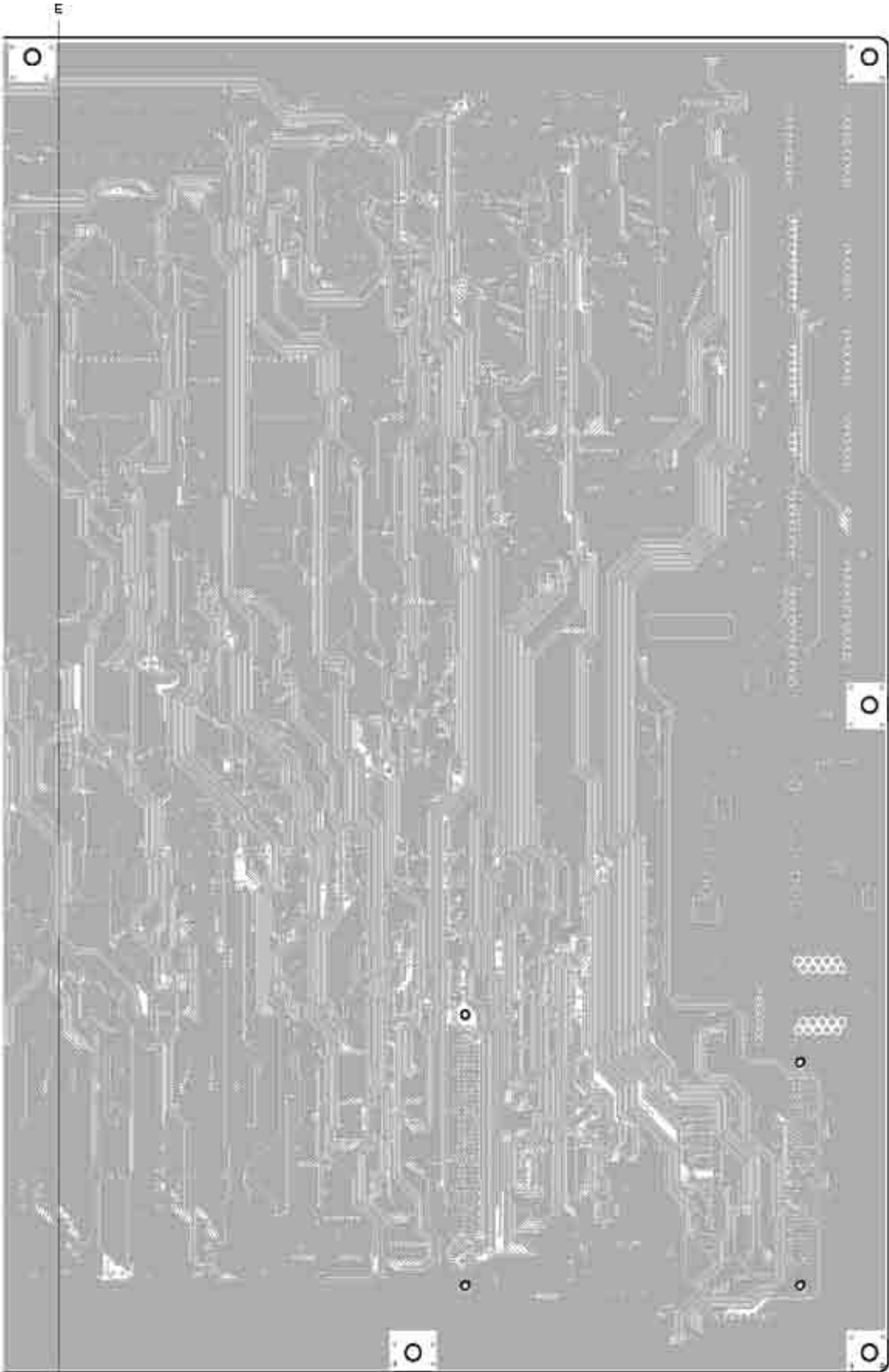




2 layer
Component side

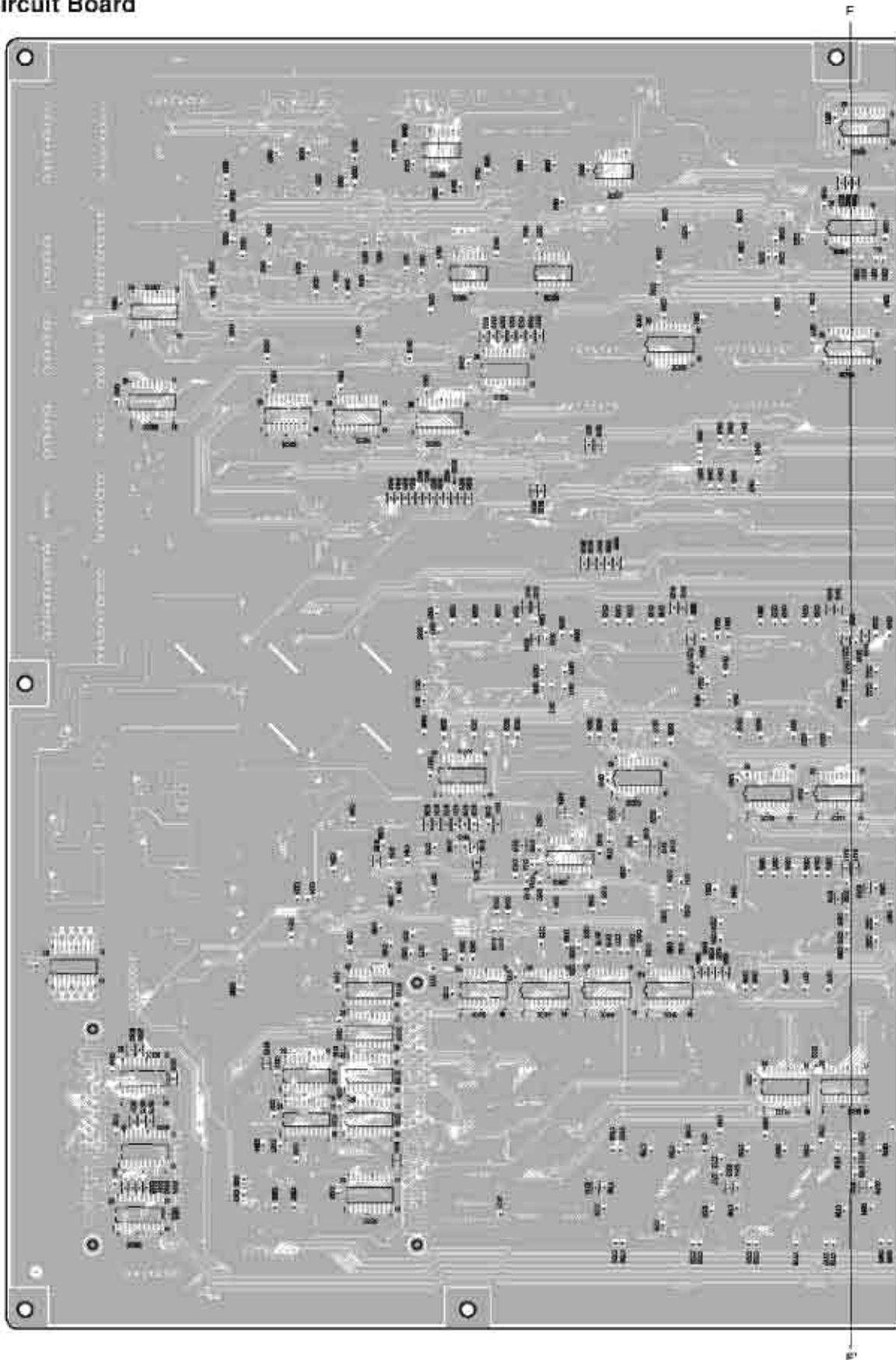
● DSP Circuit Board

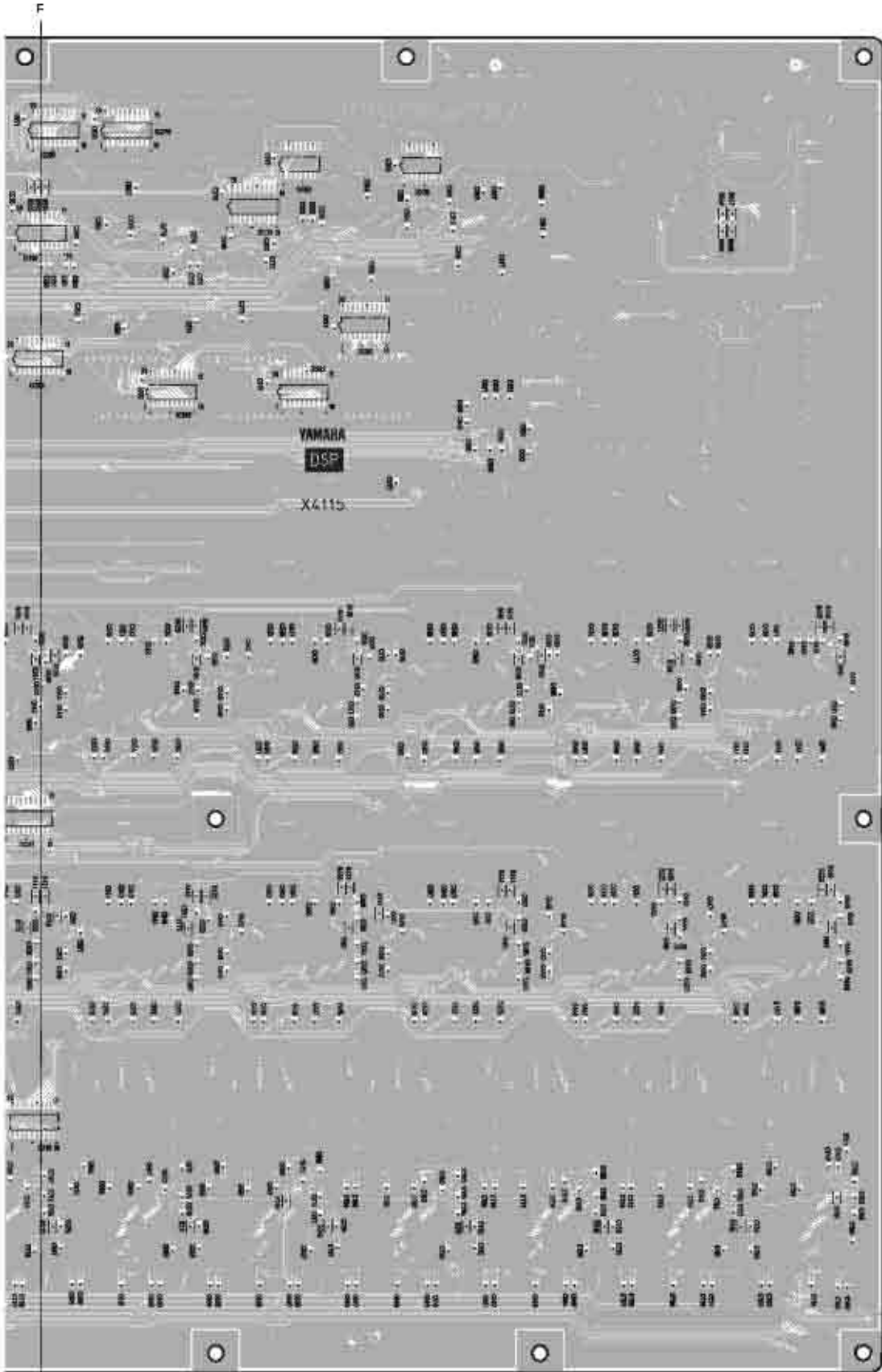




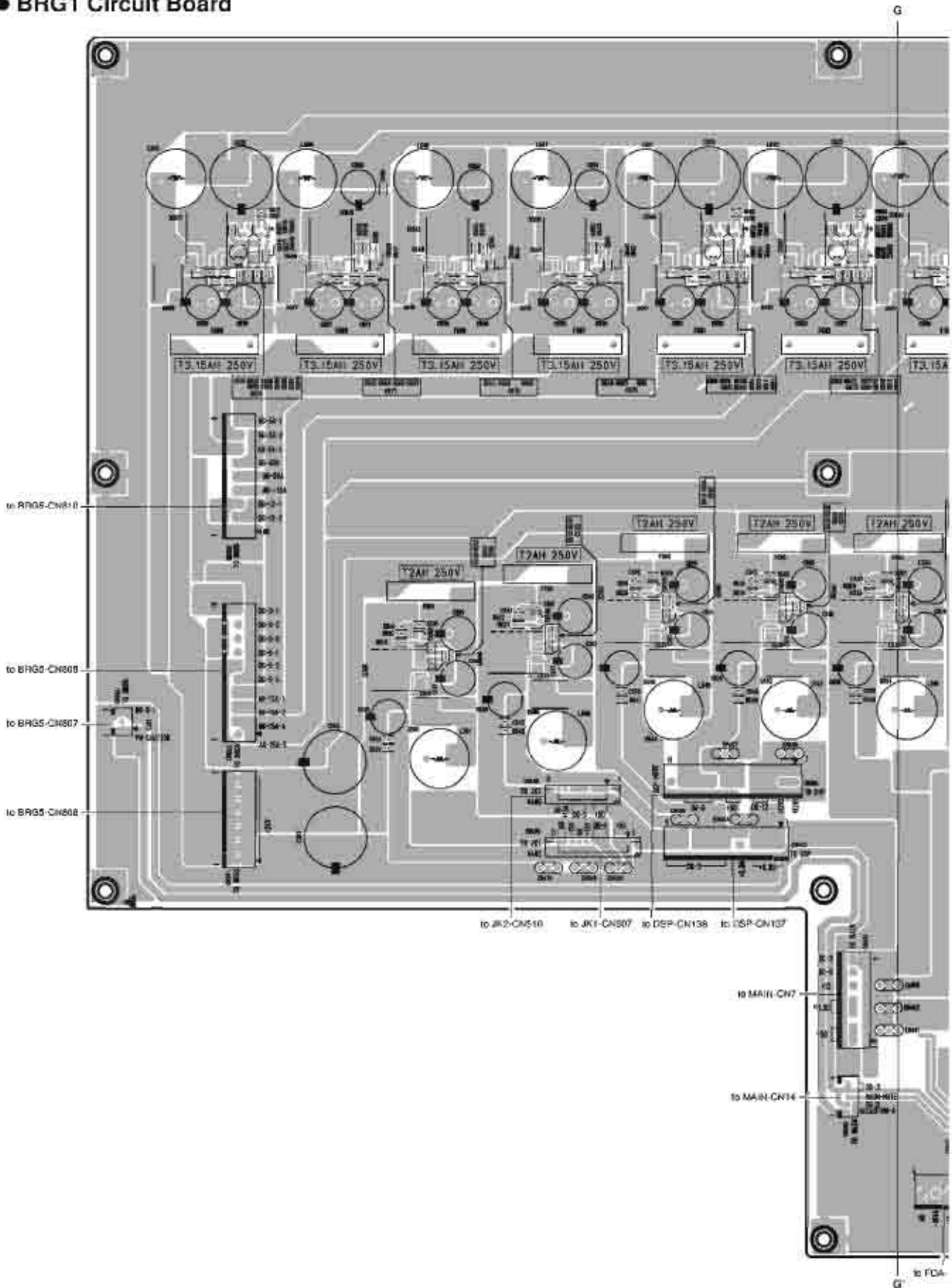
7 layer
Component side

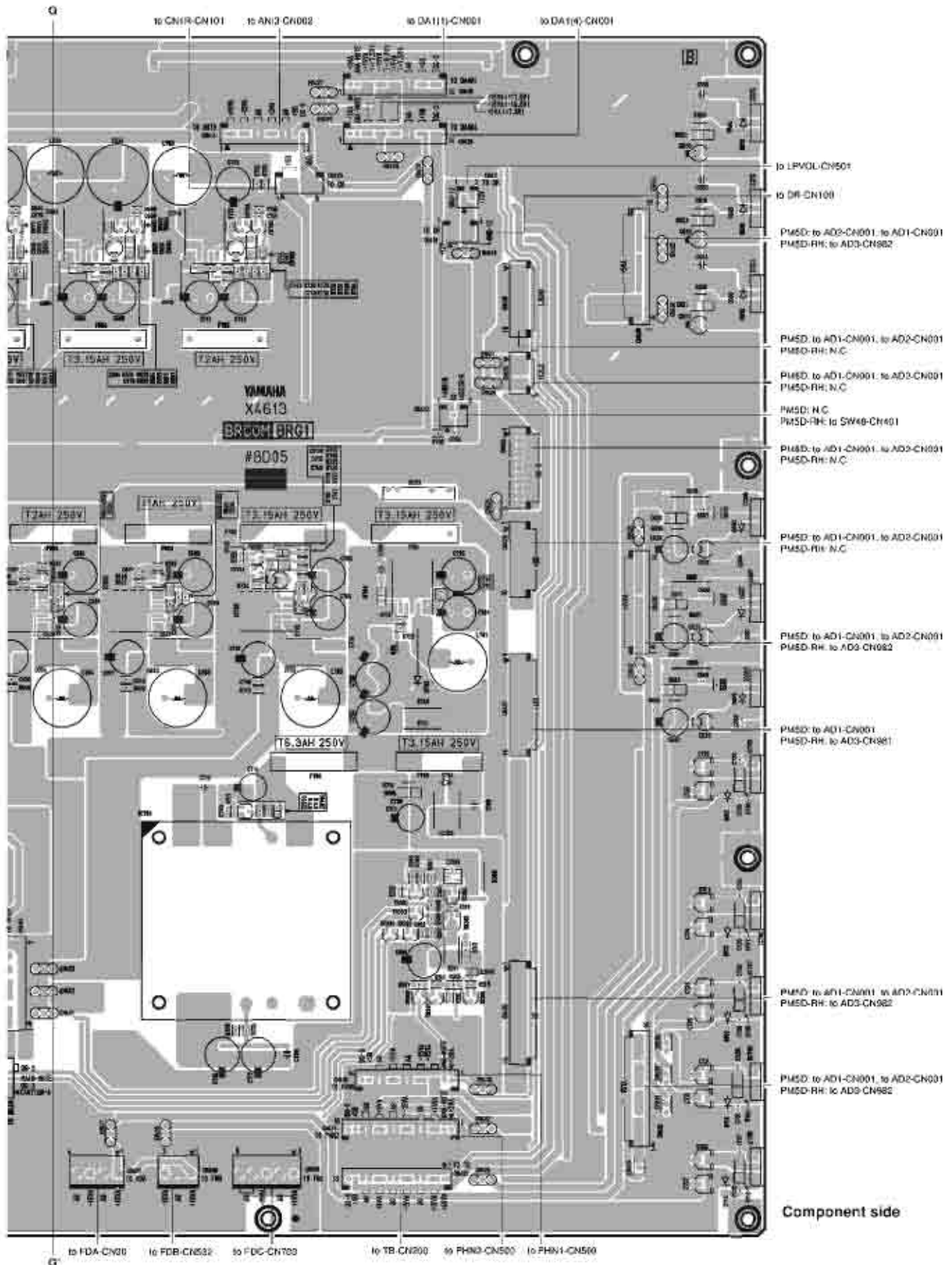
● DSP Circuit Board



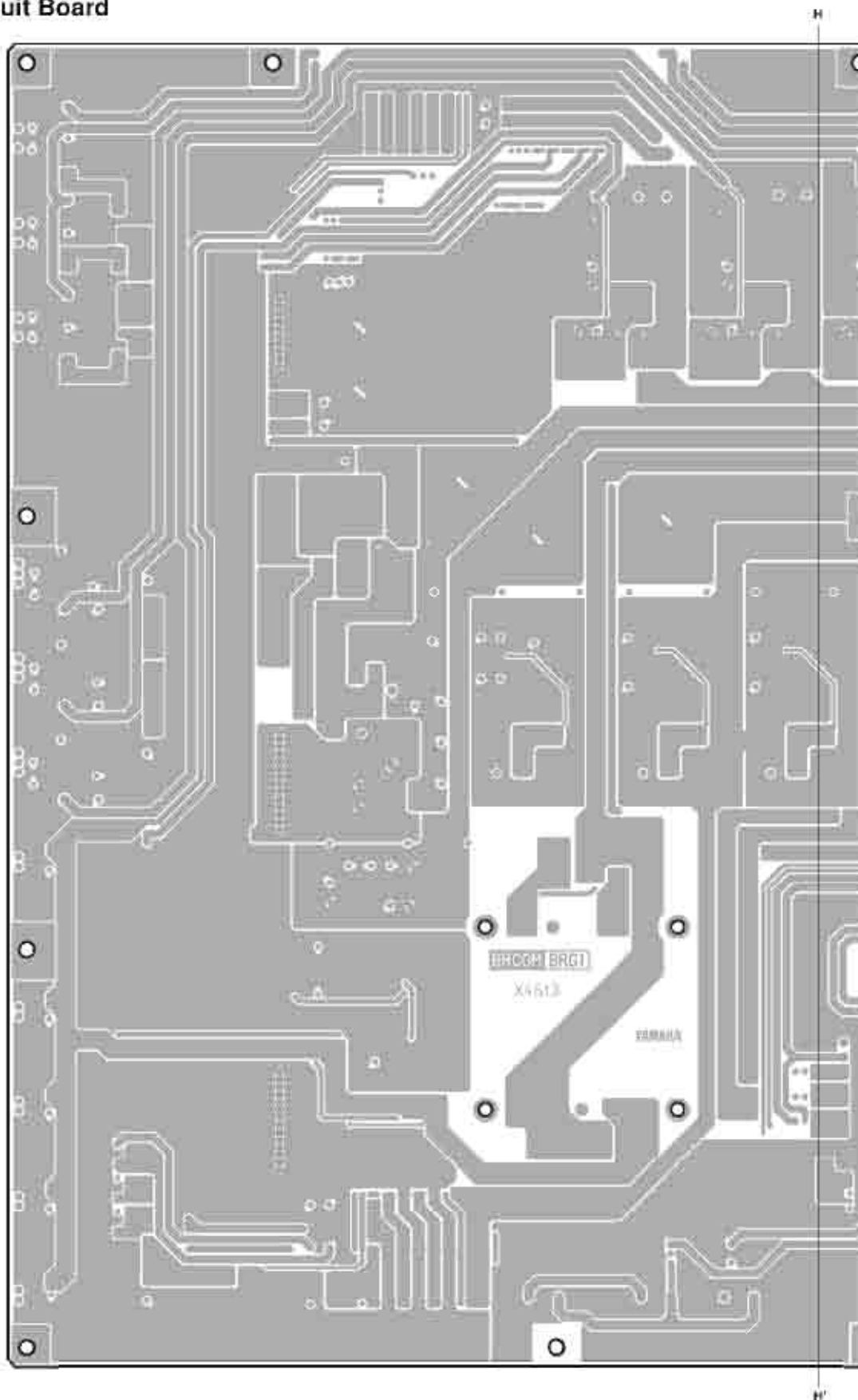


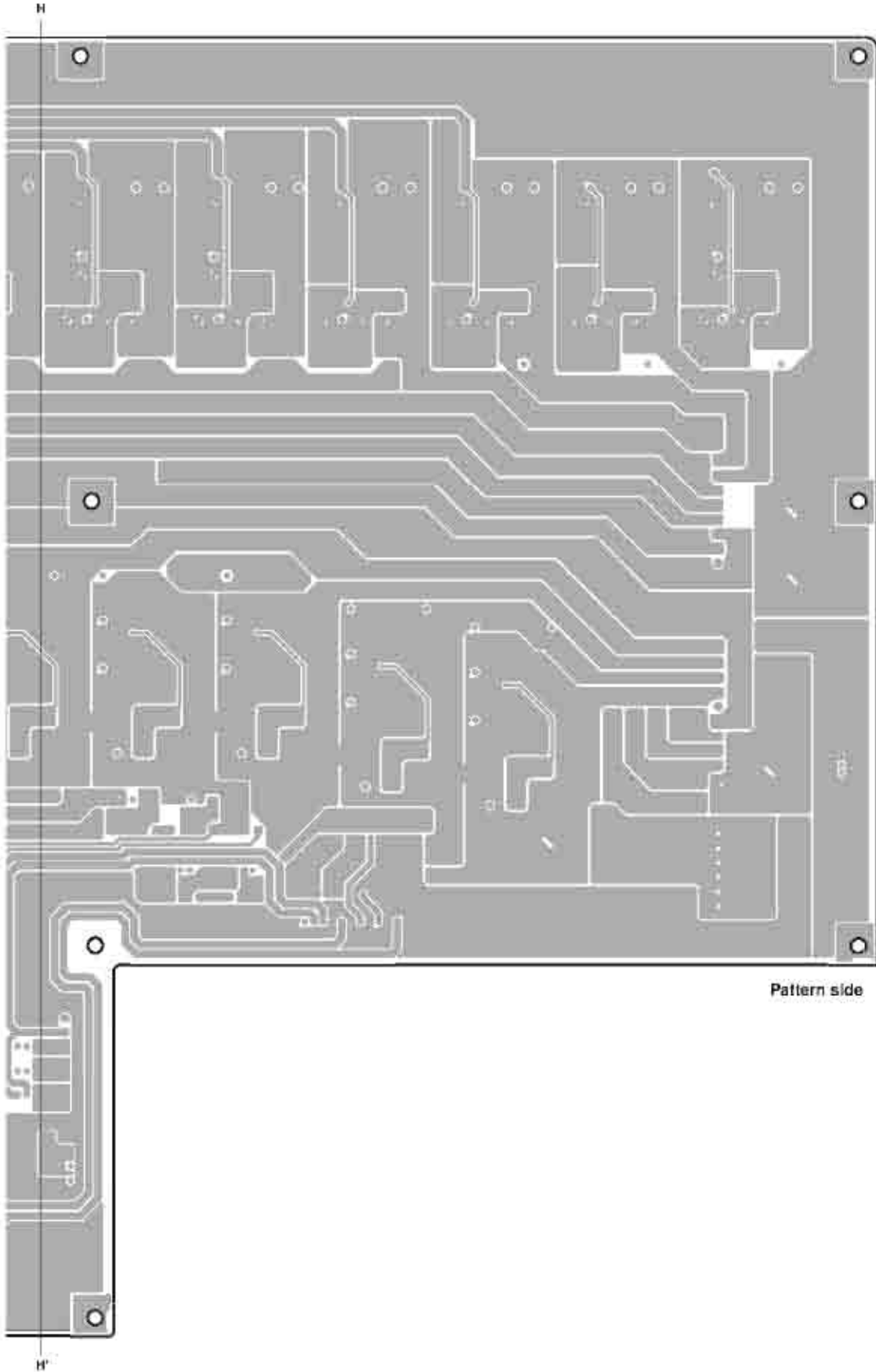
● BRG1 Circuit Board



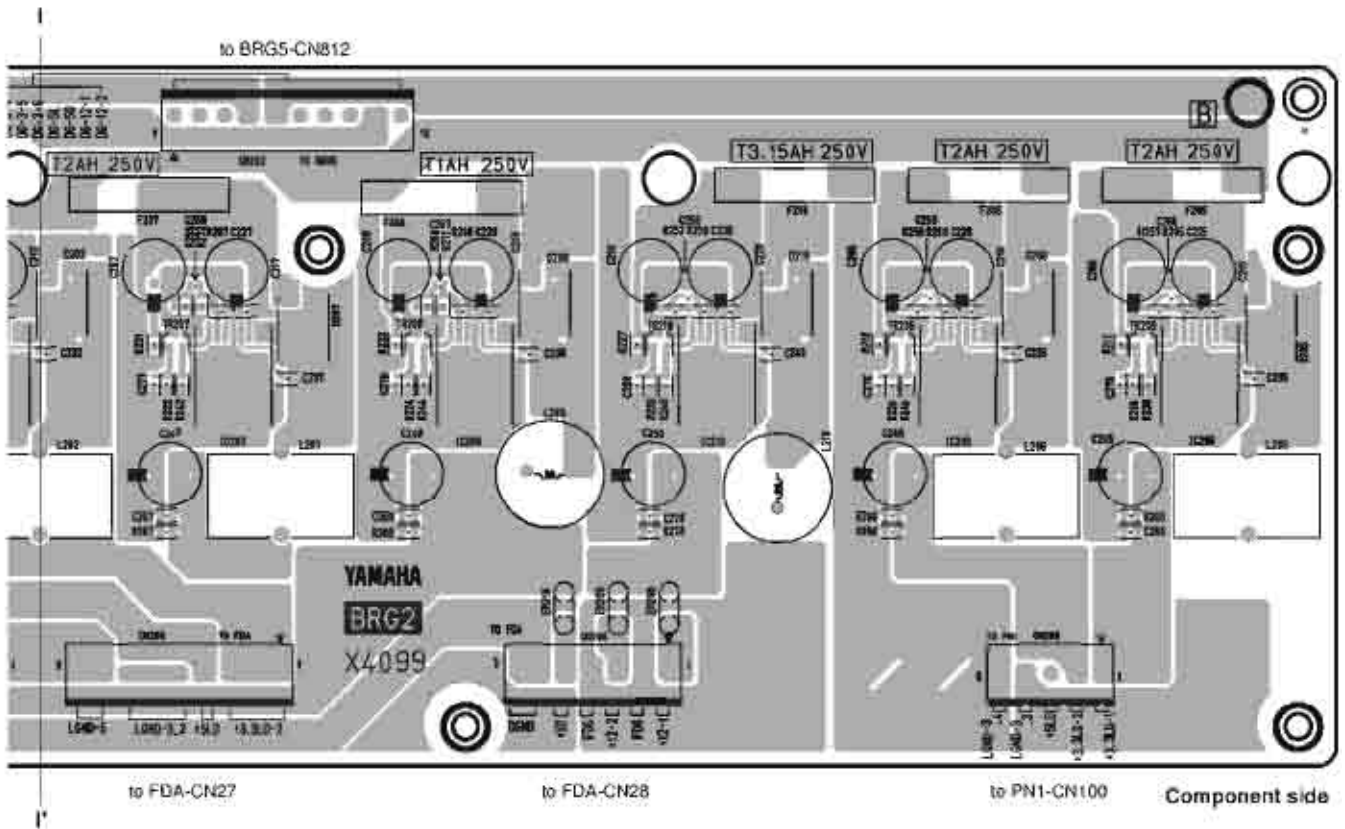
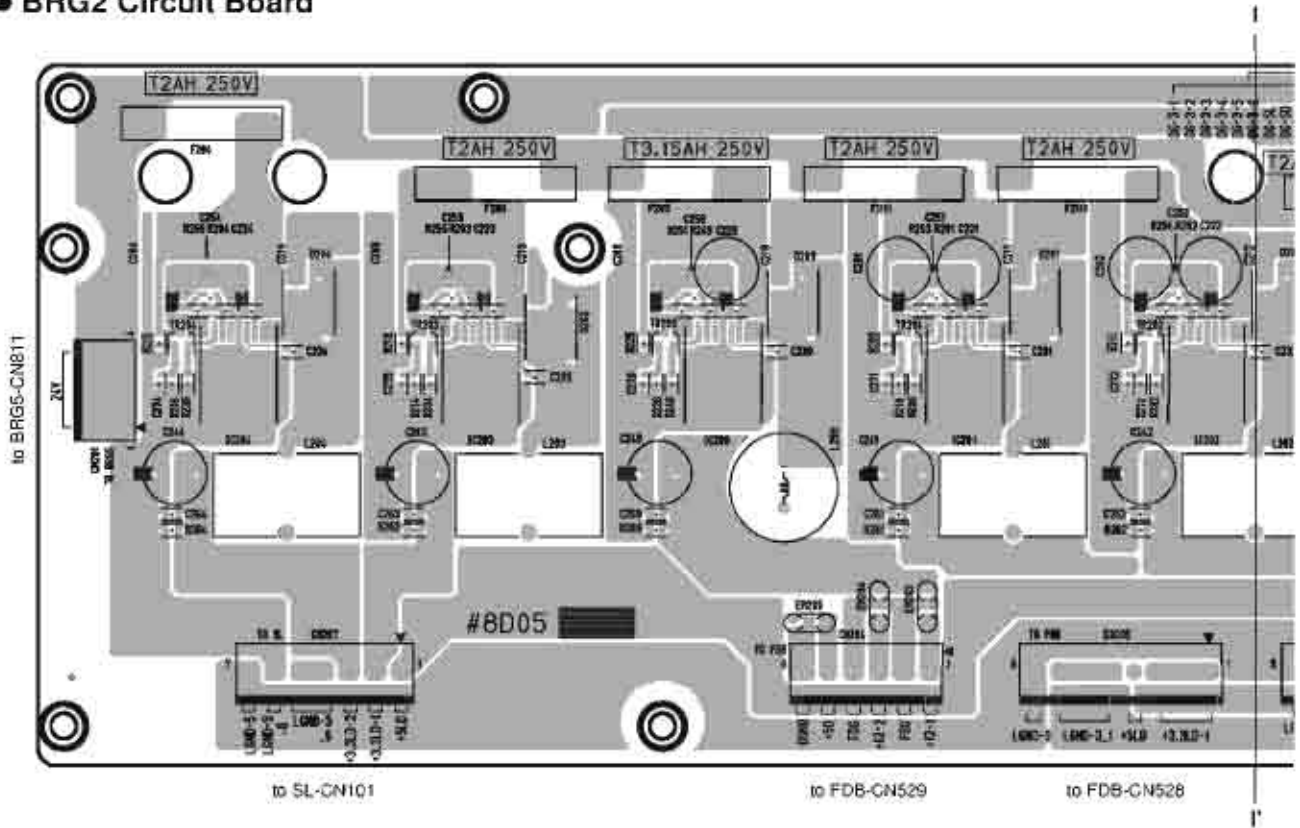


● BRG1 Circuit Board

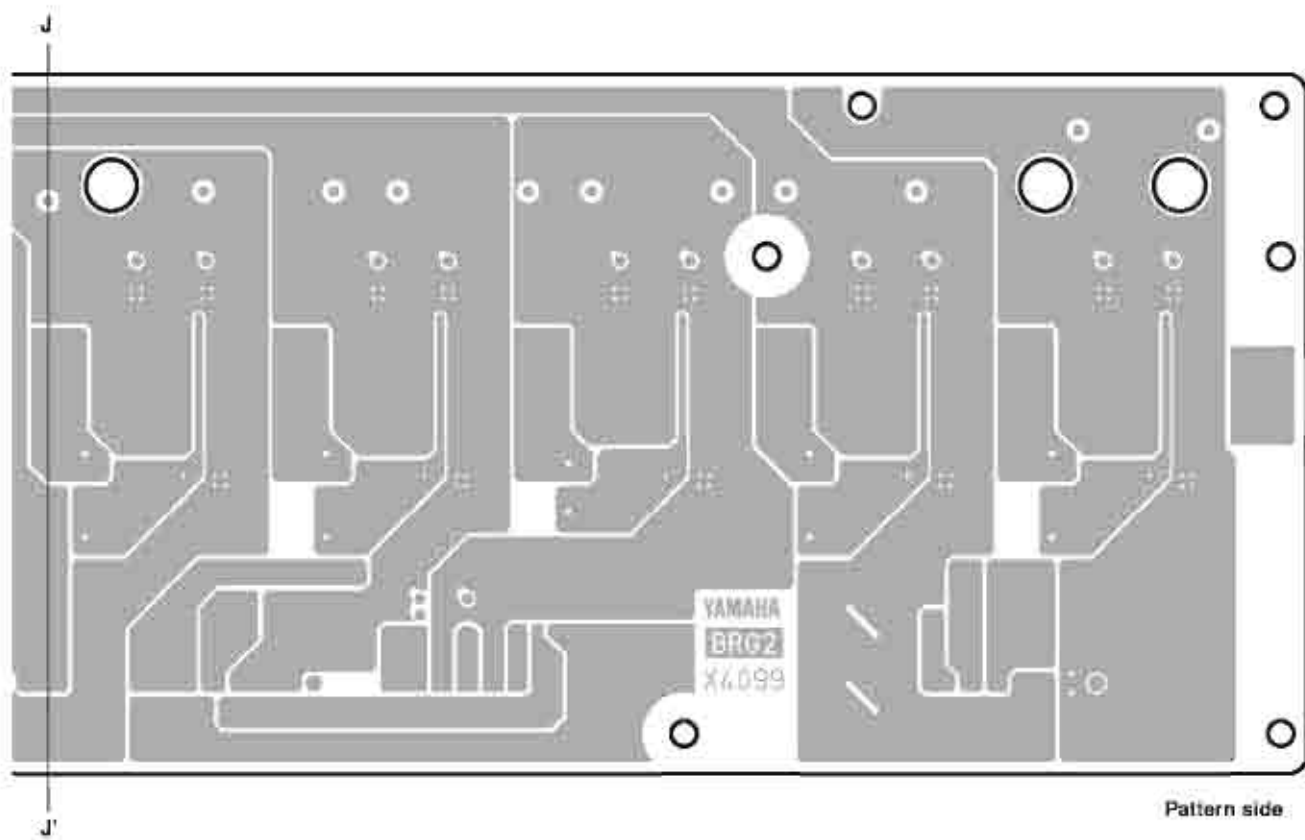
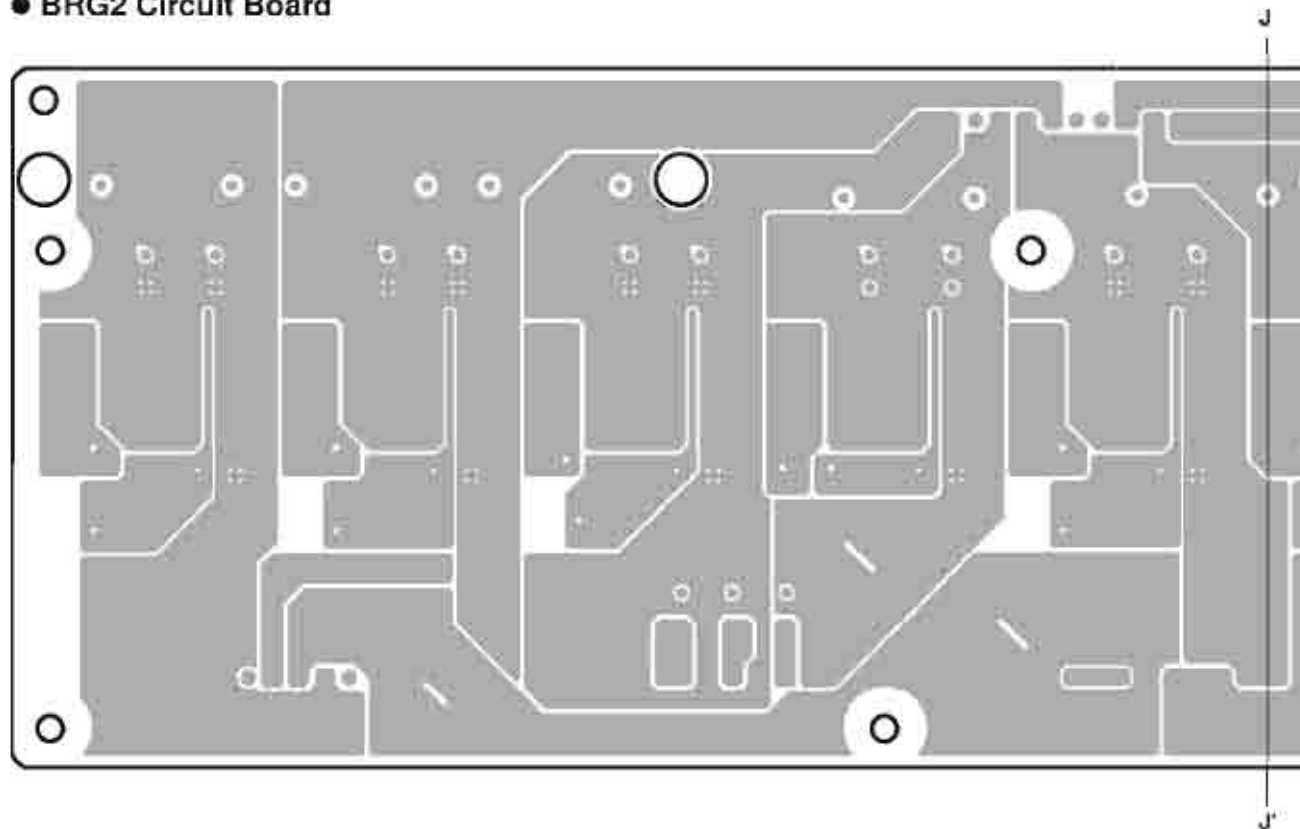




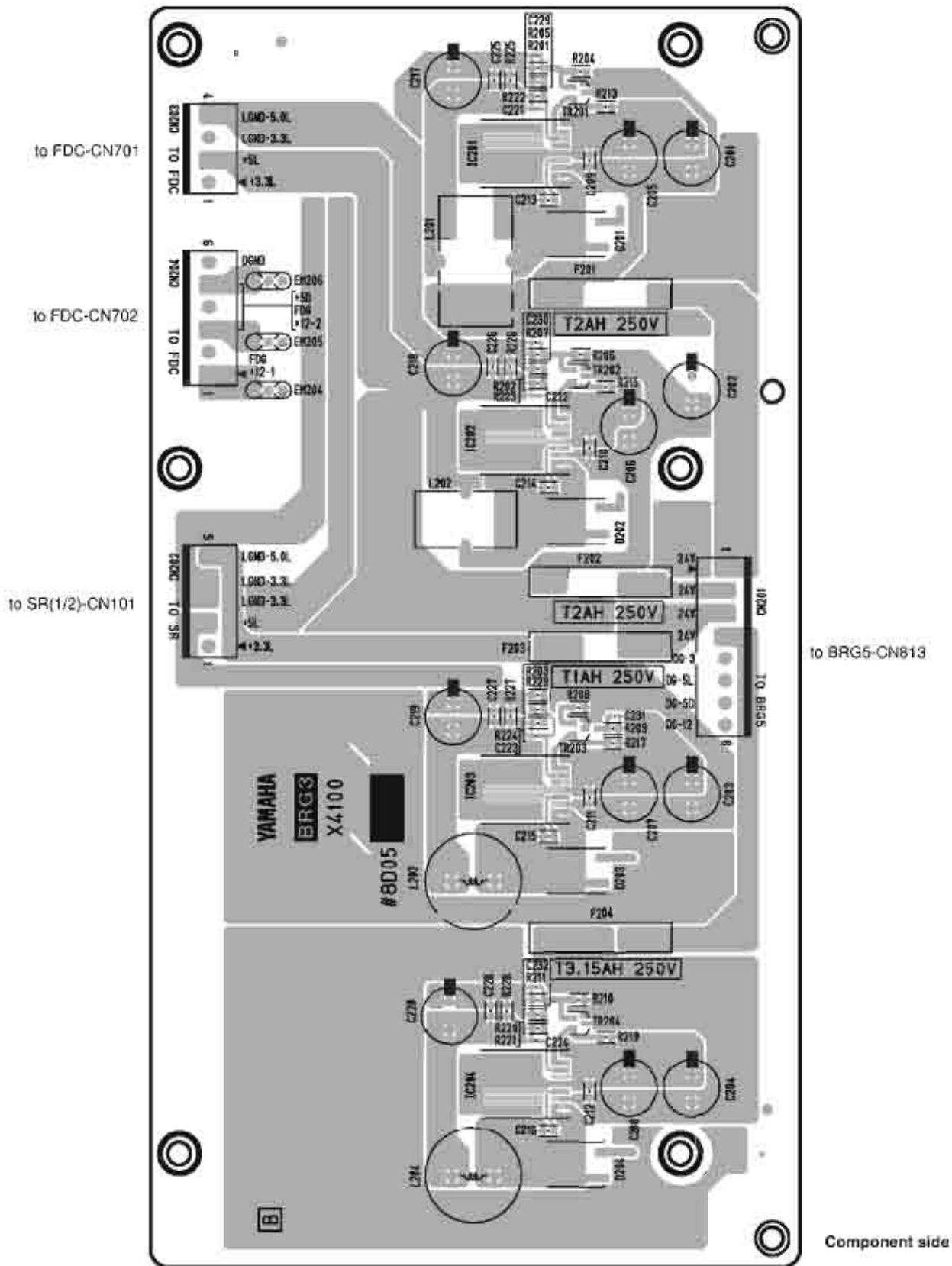
● BRG2 Circuit Board



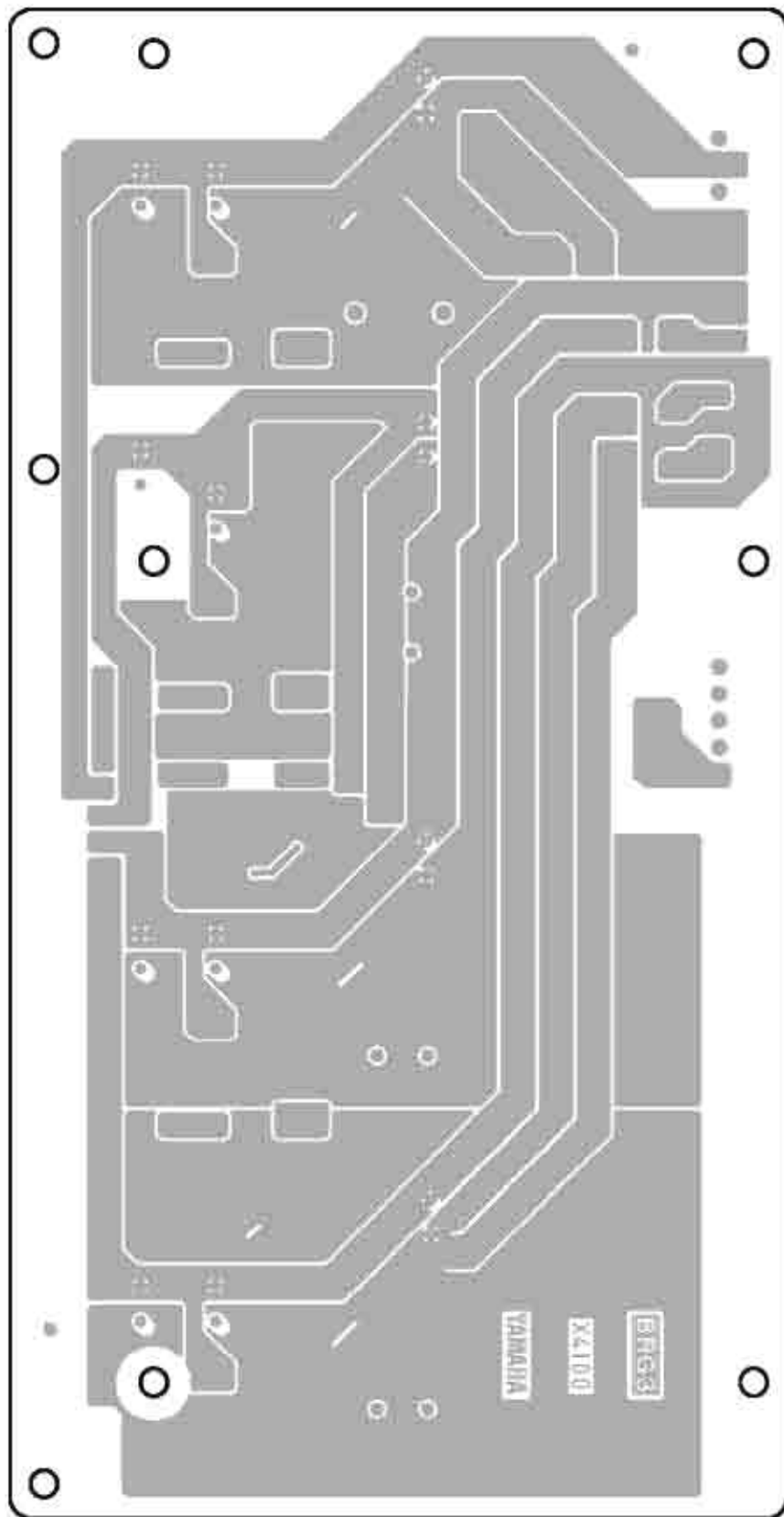
● BRG2 Circuit Board



● BRG3 Circuit Board

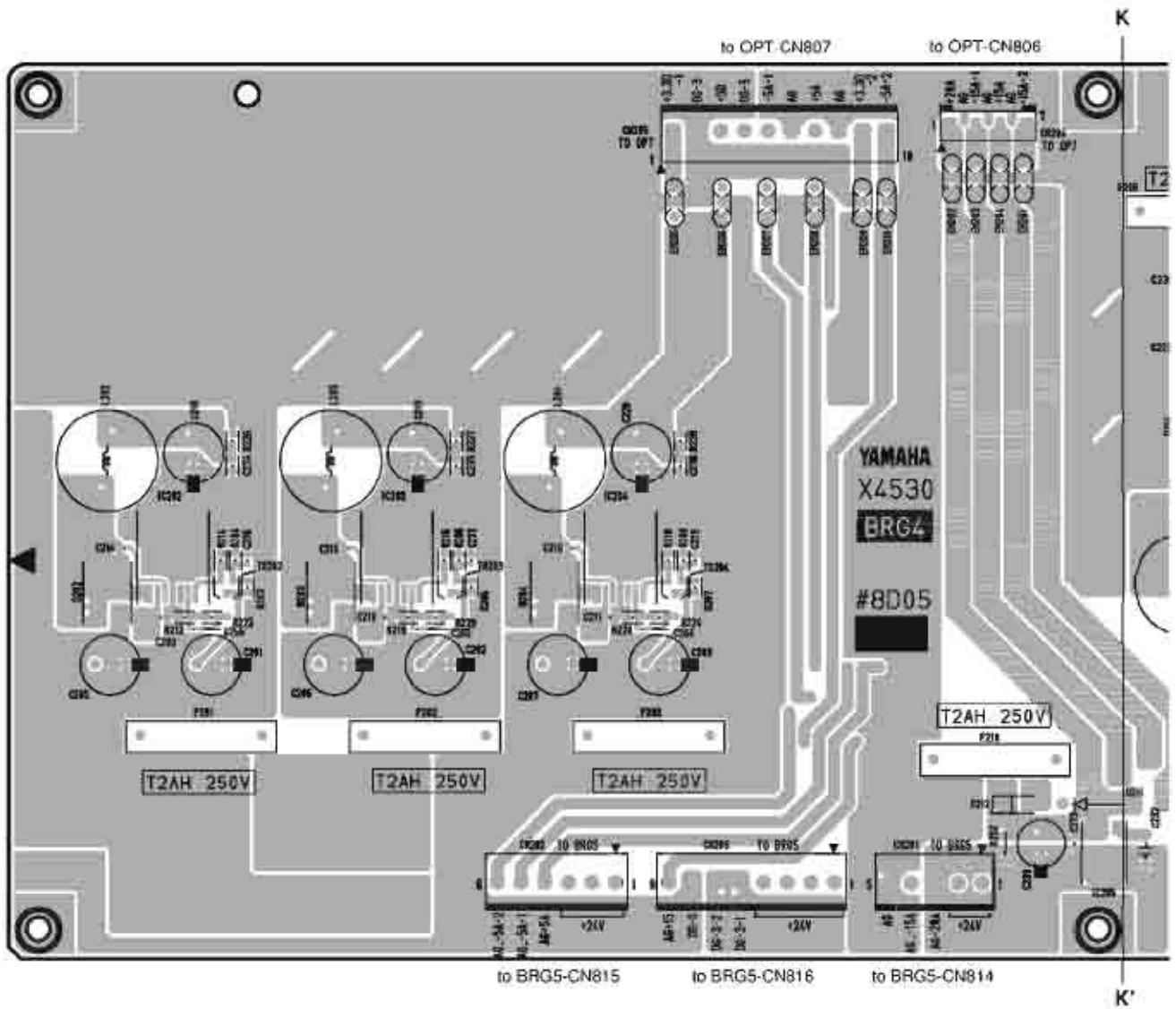


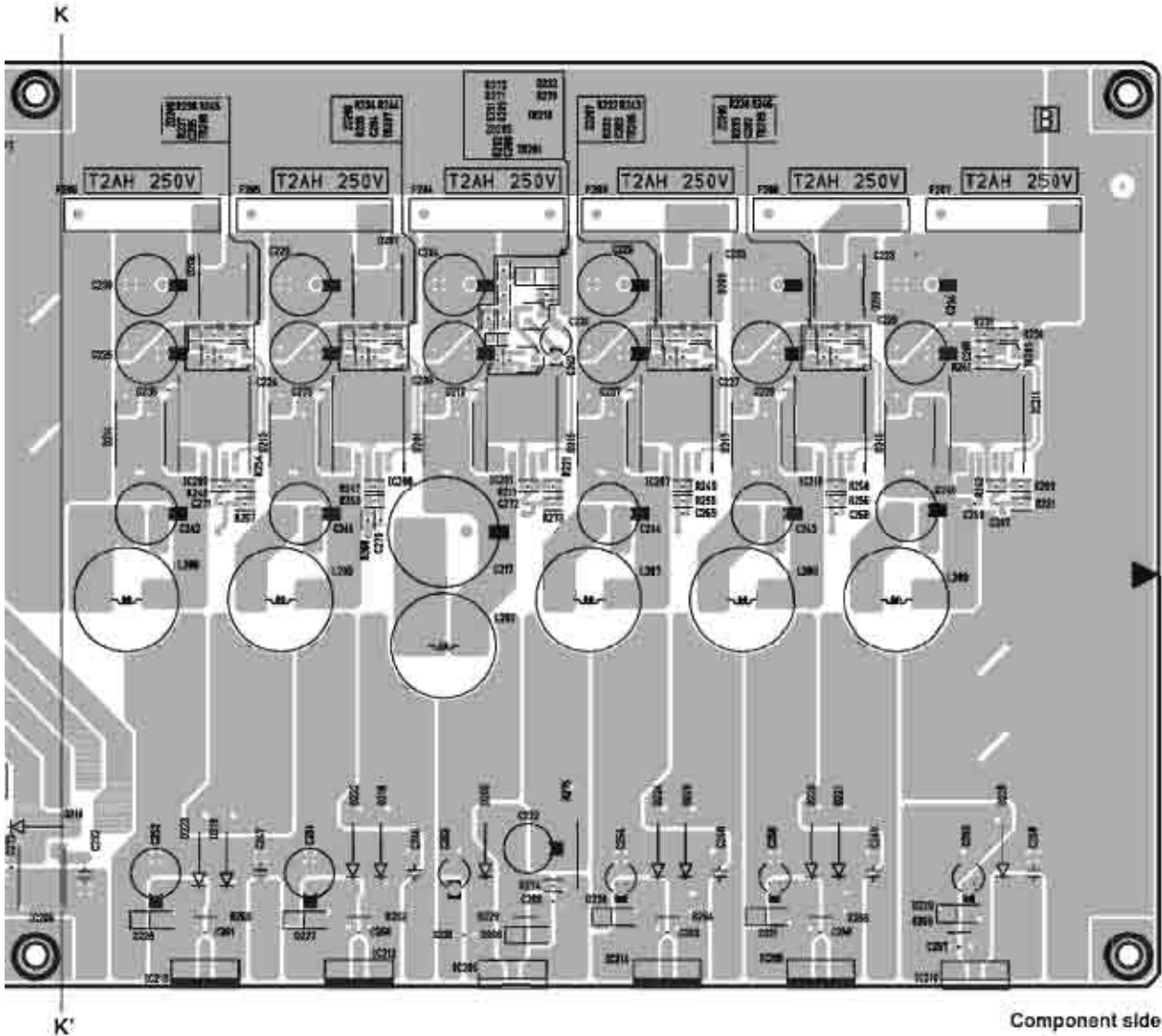
● BRG3 Circuit Board



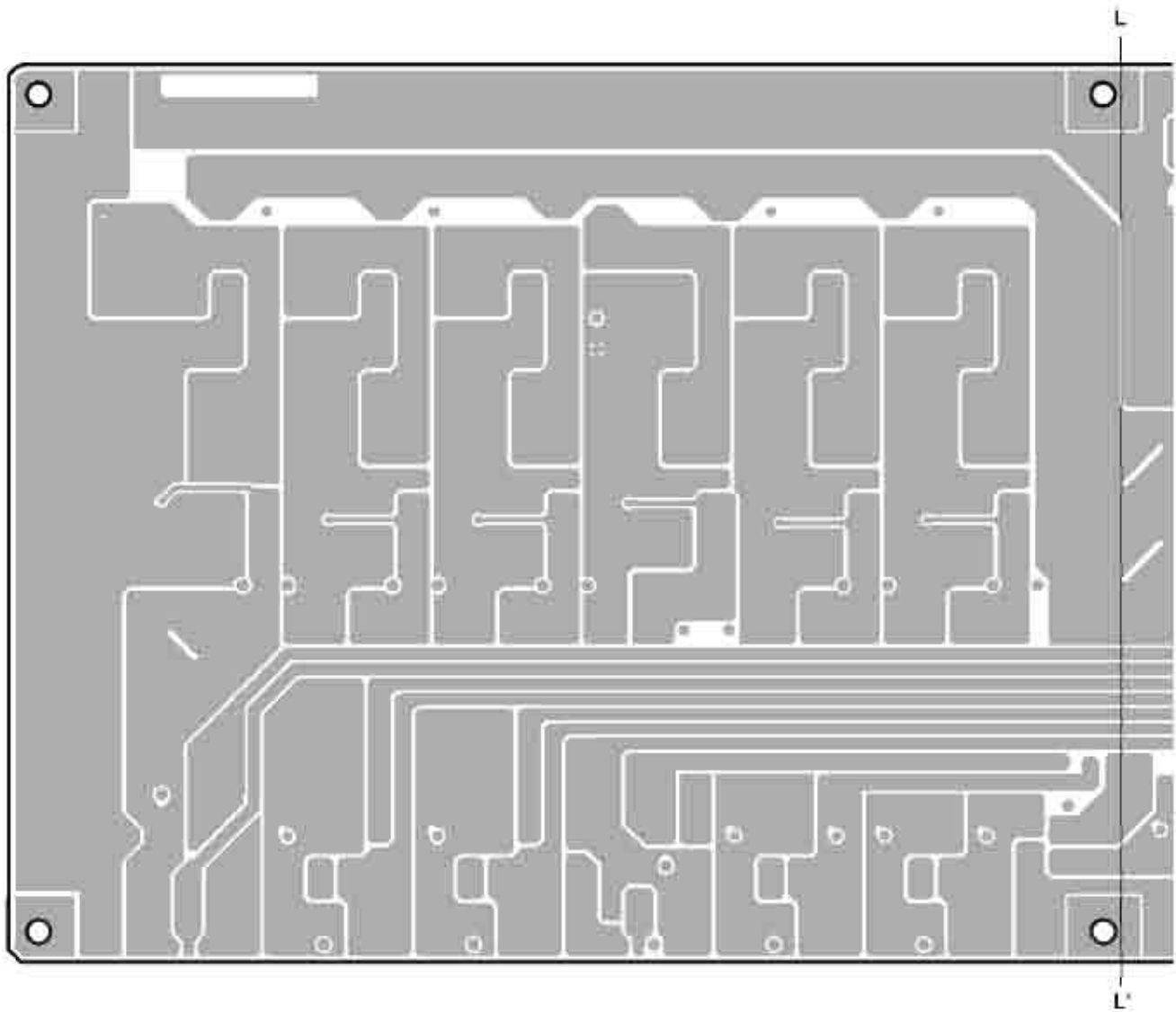
Pattern side

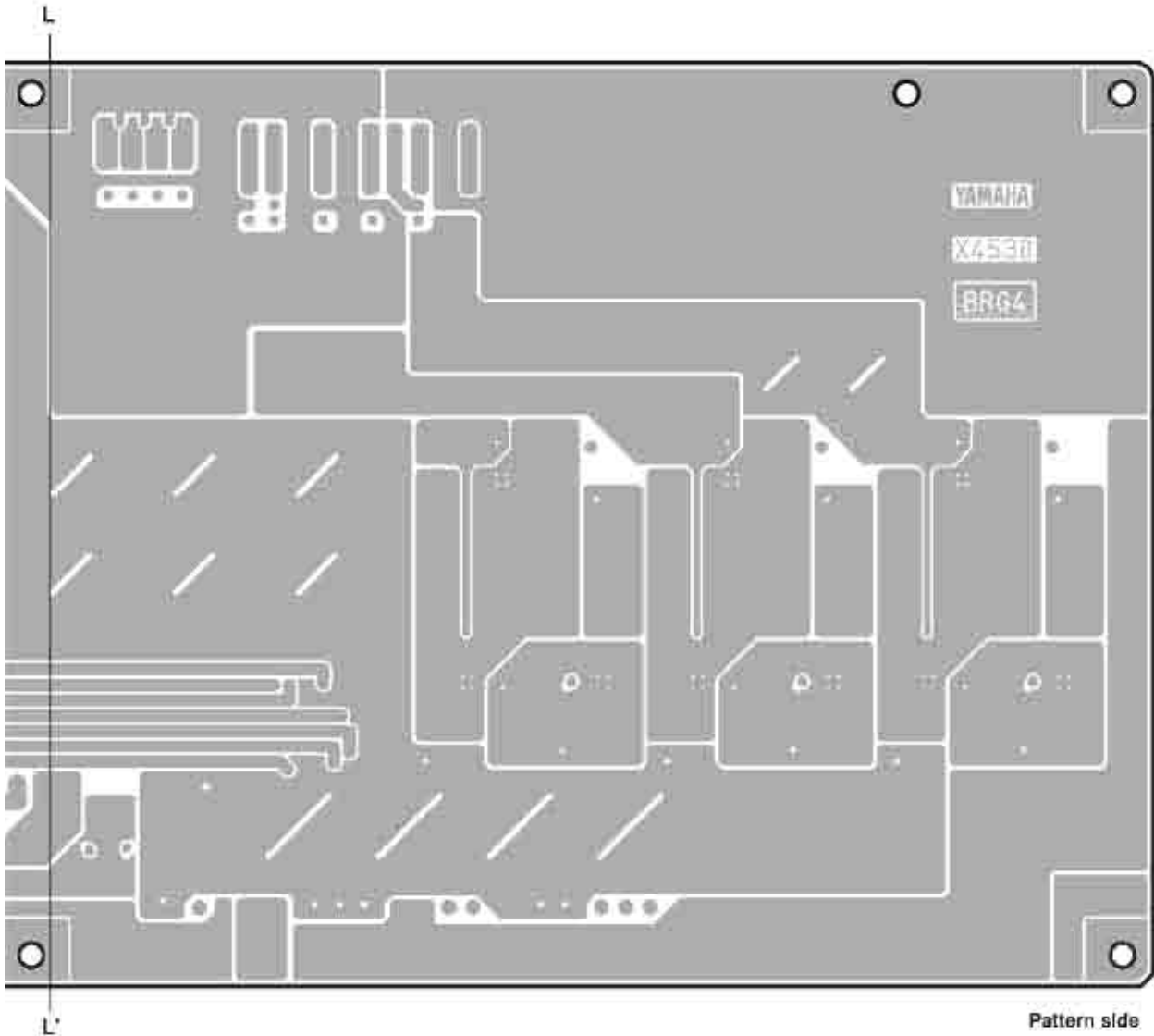
● BRG4 Circuit Board



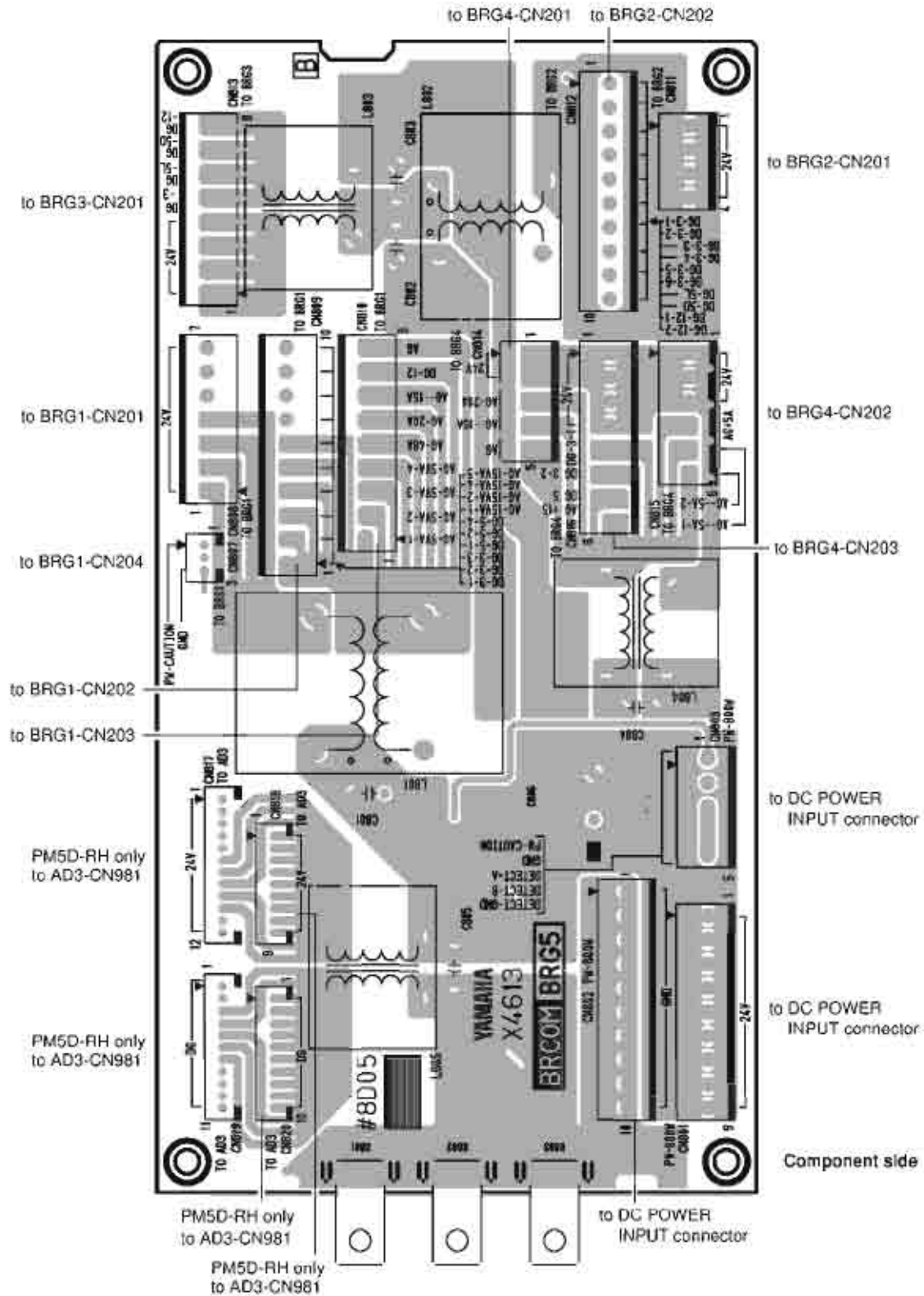


● BRG4 Circuit Board

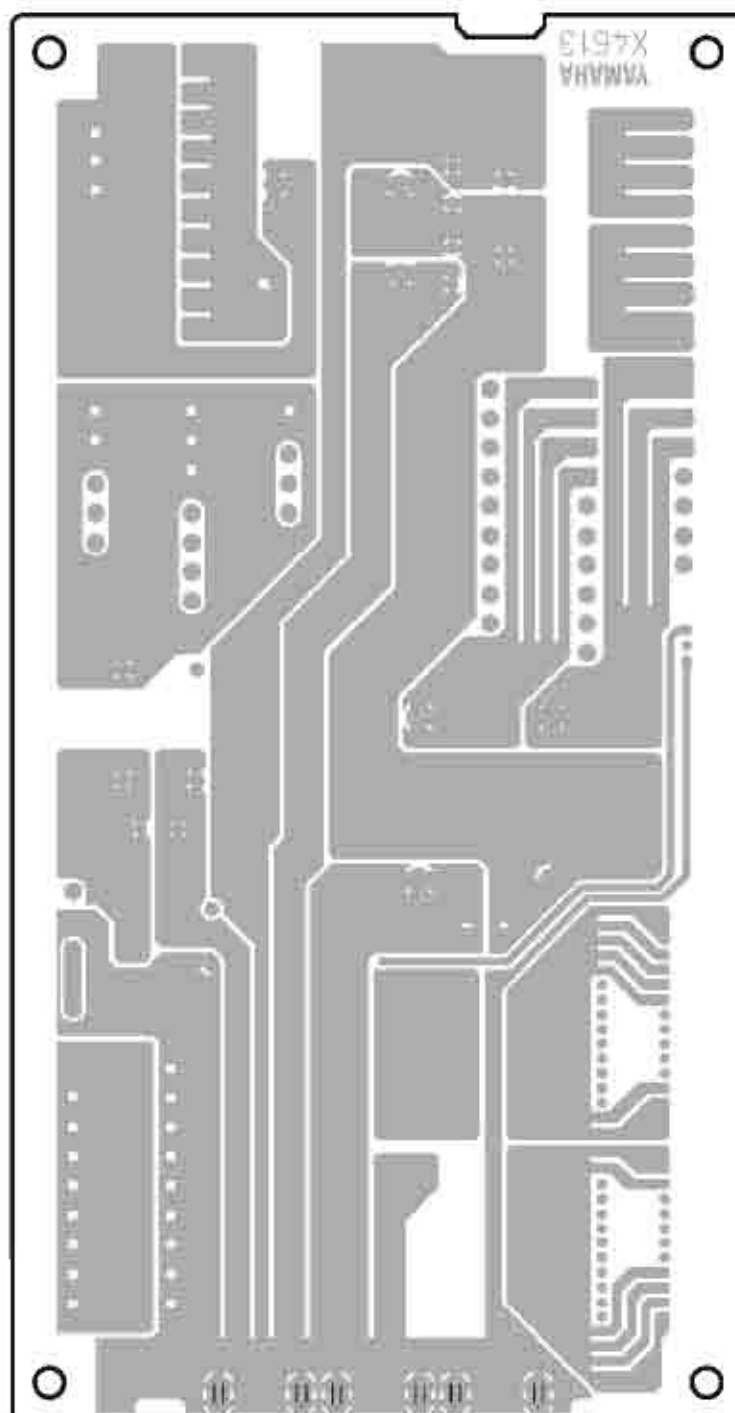




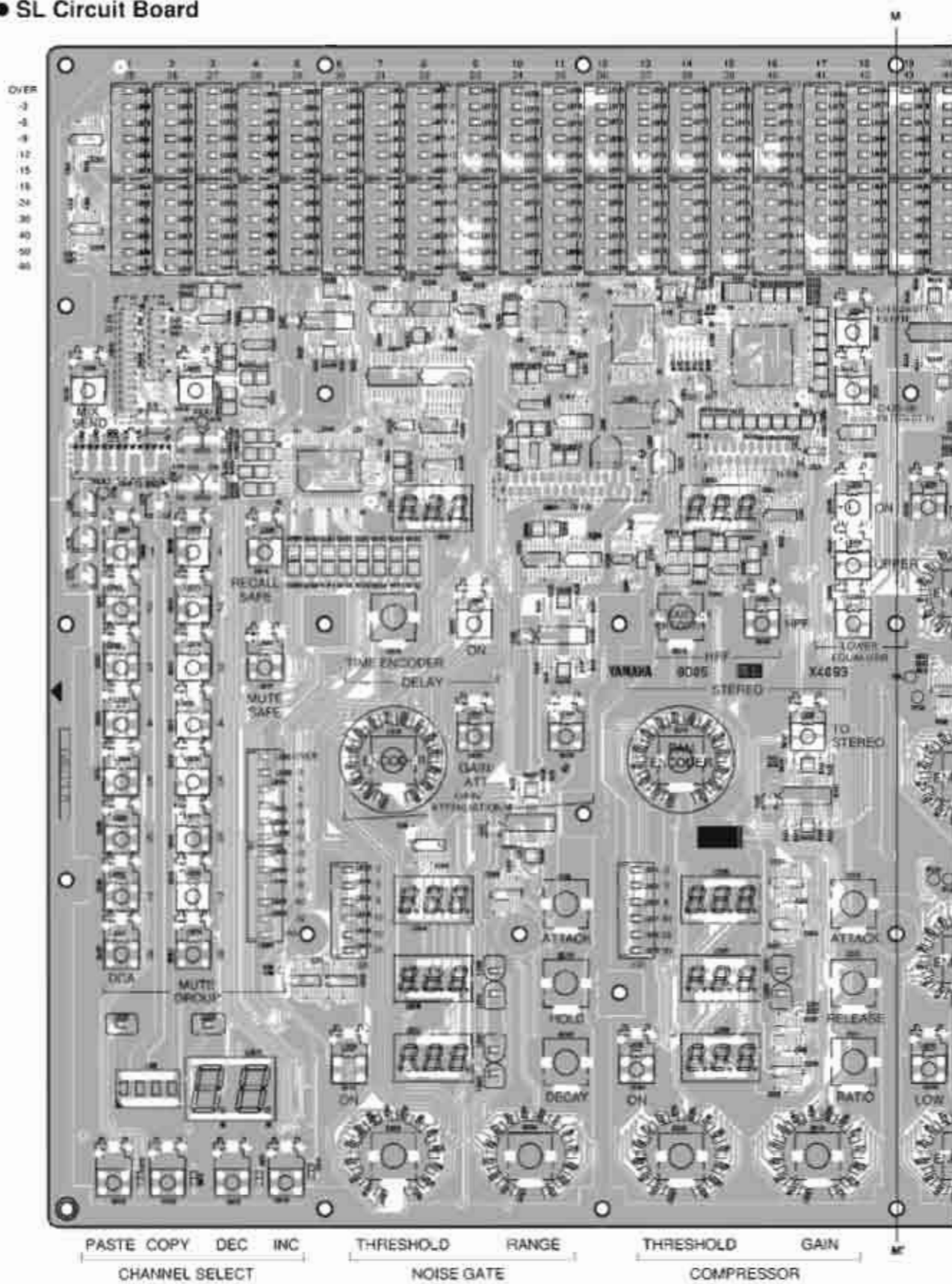
● BRG5 Circuit Board



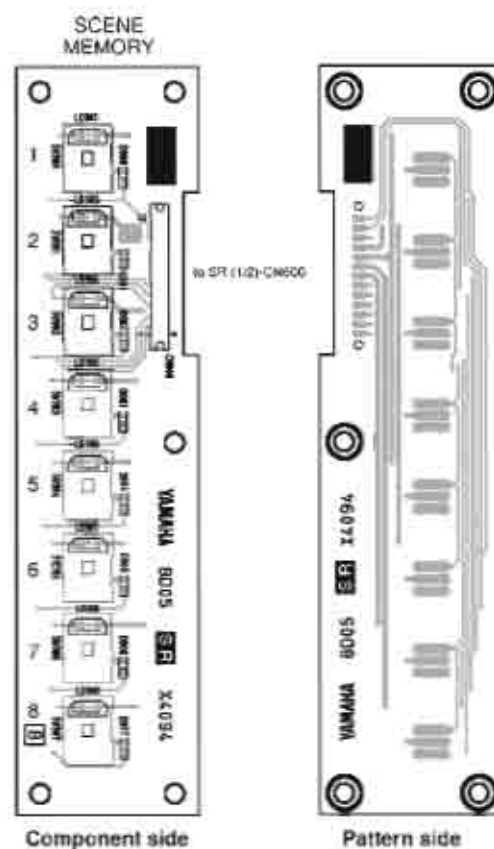
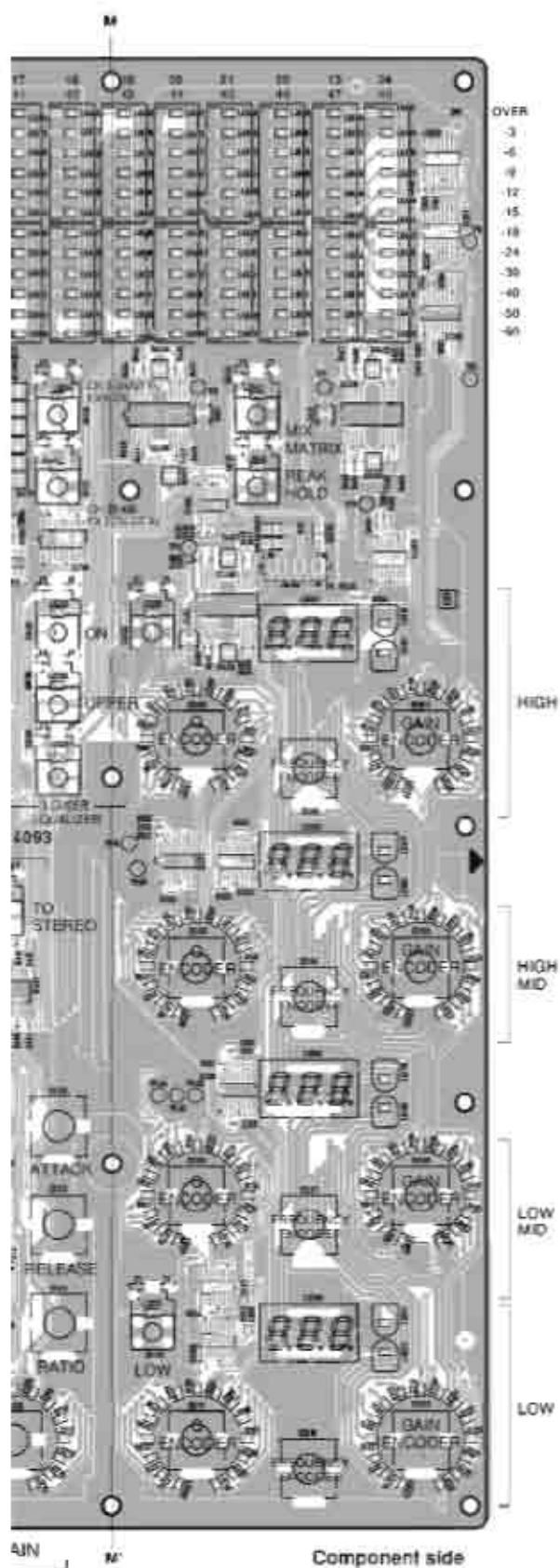
● BRG5 Circuit Board





● SL Circuit Board

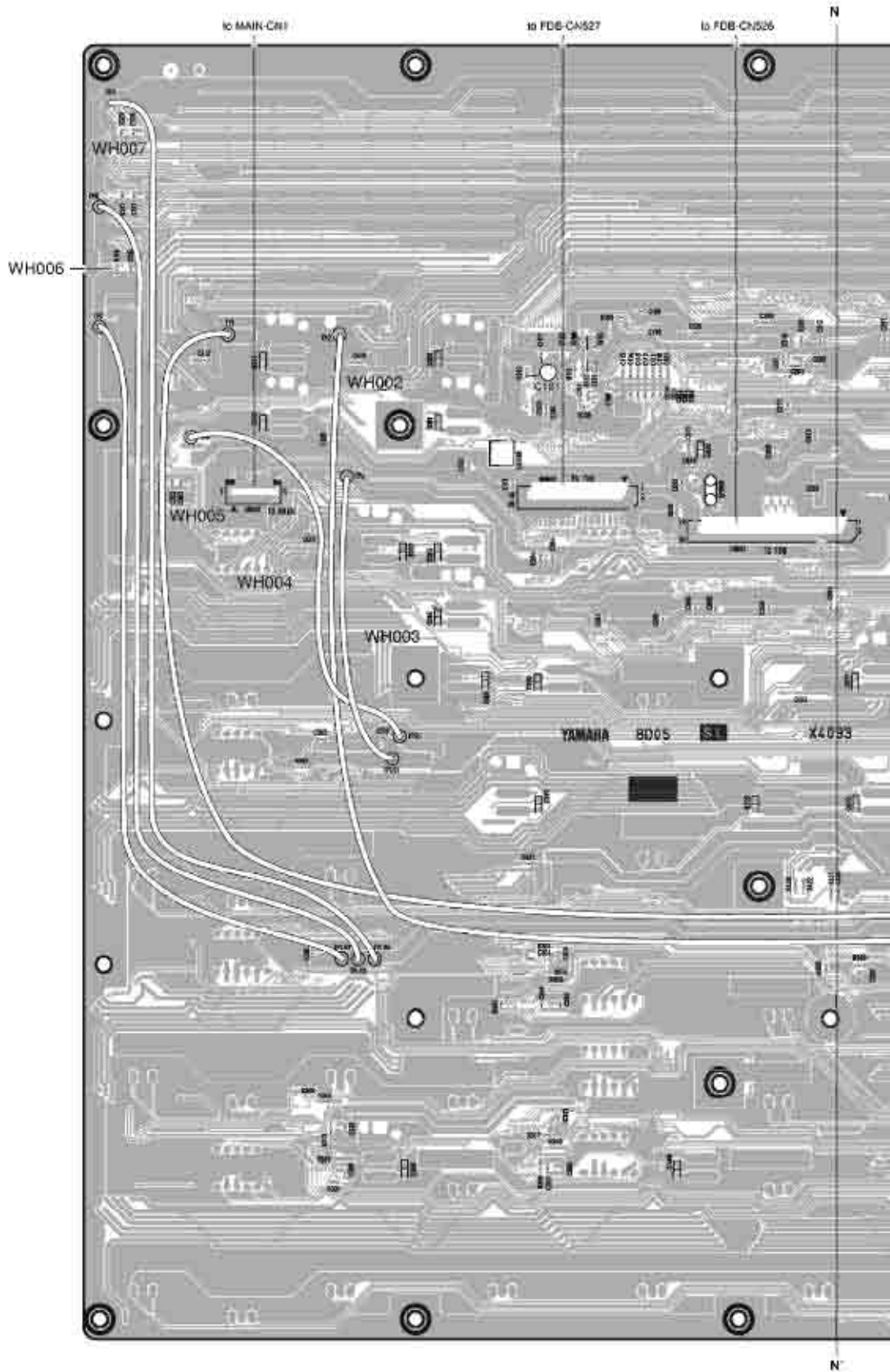


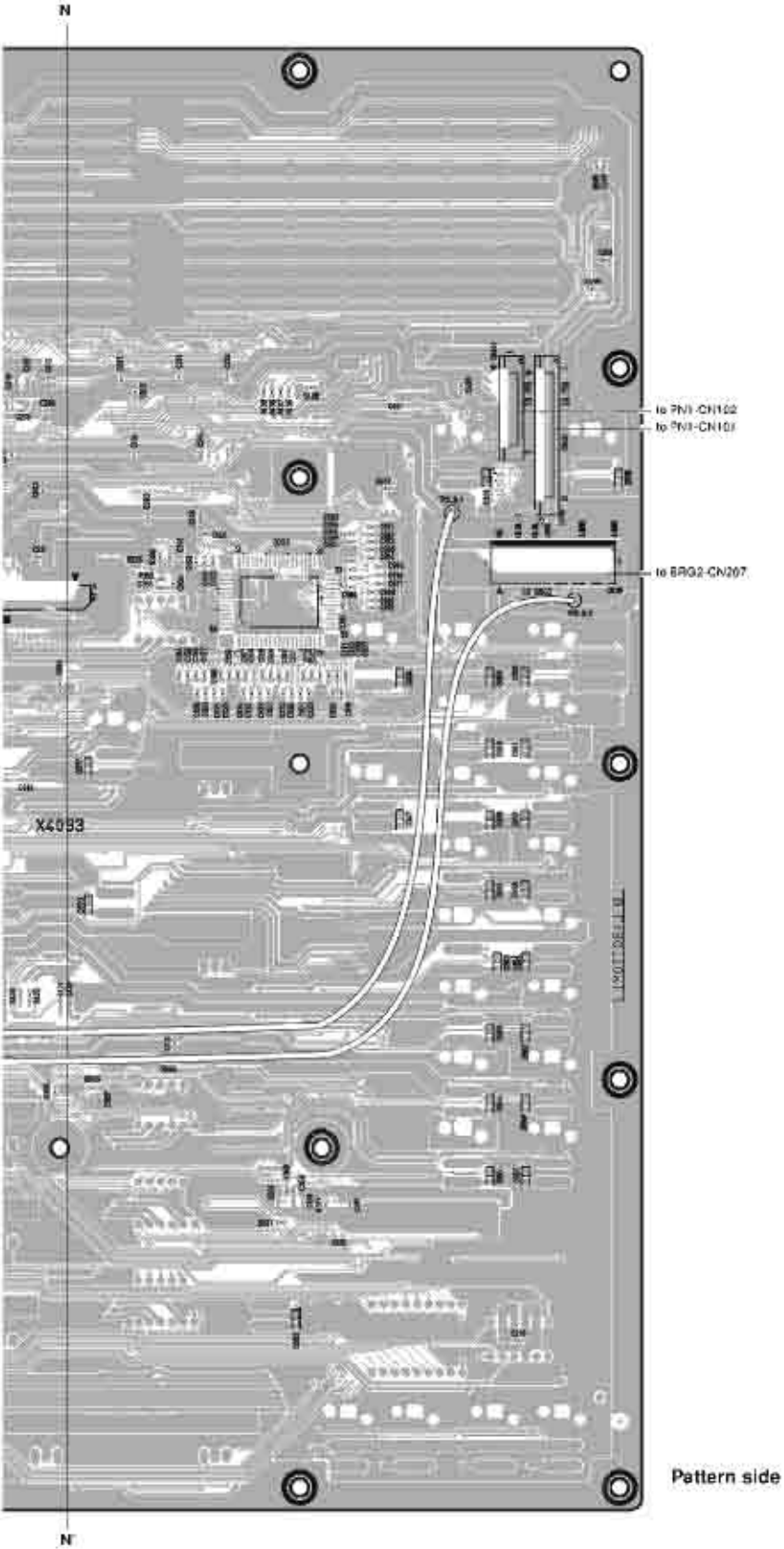
● SR (2/2) Circuit Board



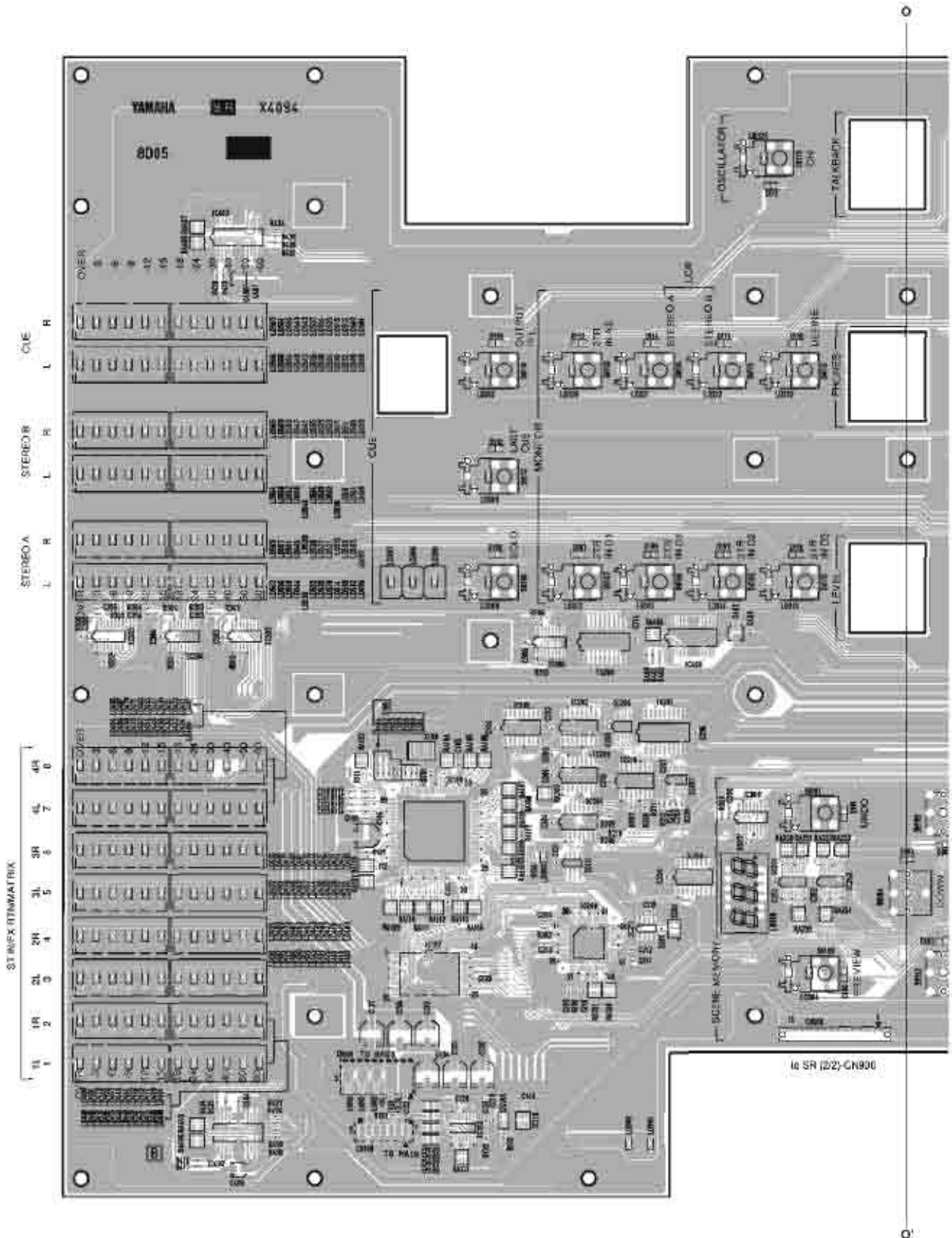
SL: 2NAP-WA76870-1 
 SR (2/2): 2NAP-WB08480-1 

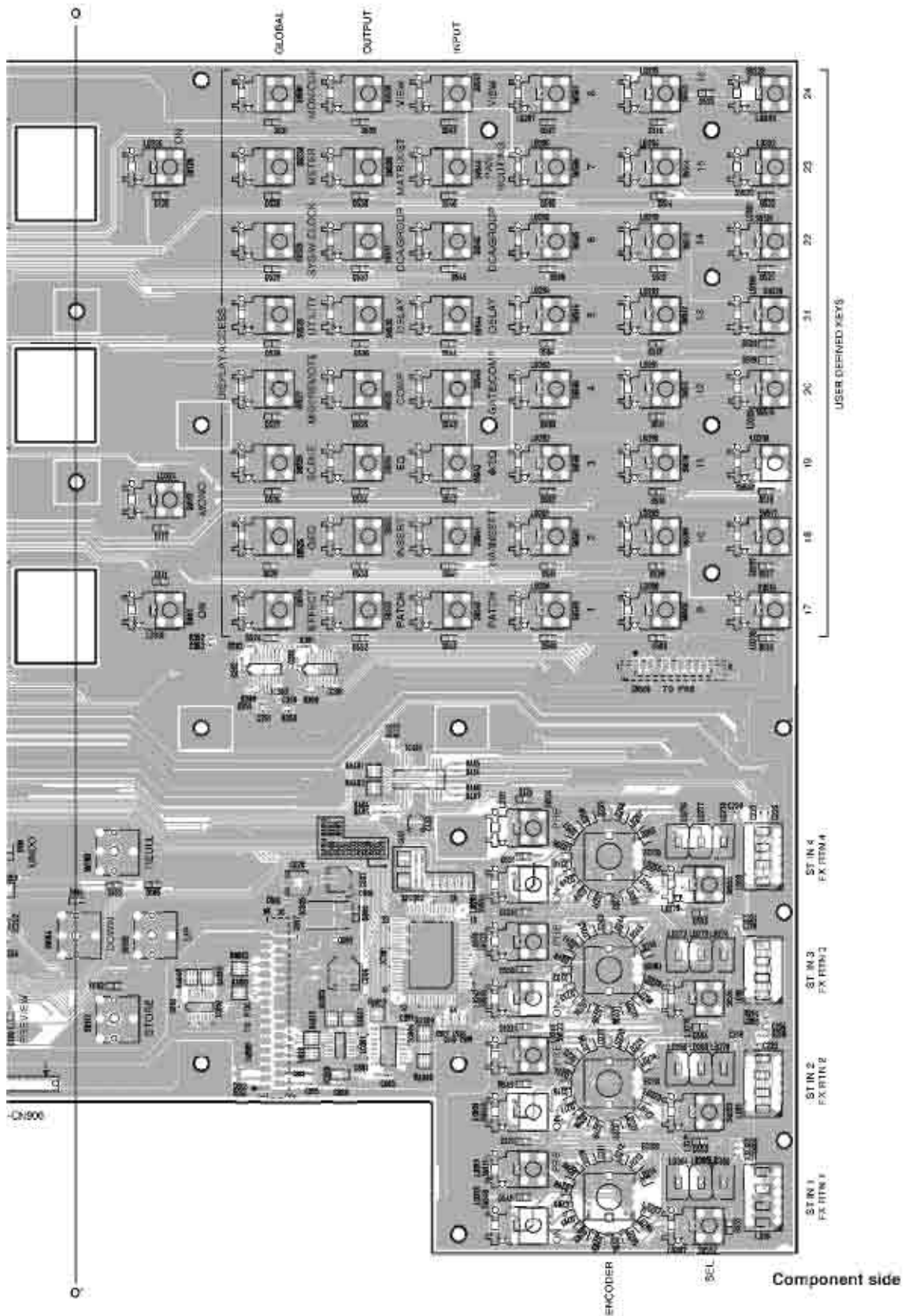
● SL Circuit Board



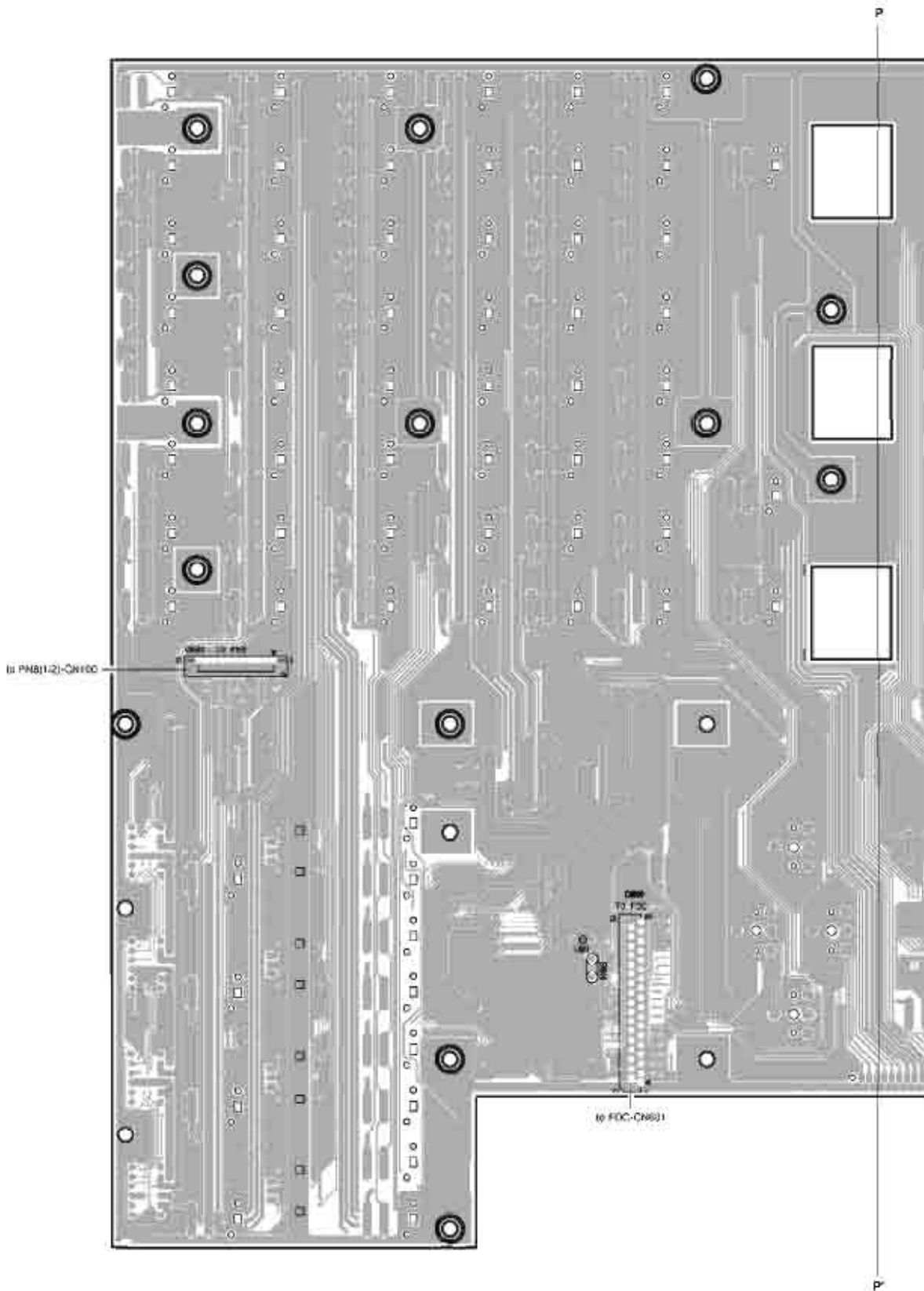


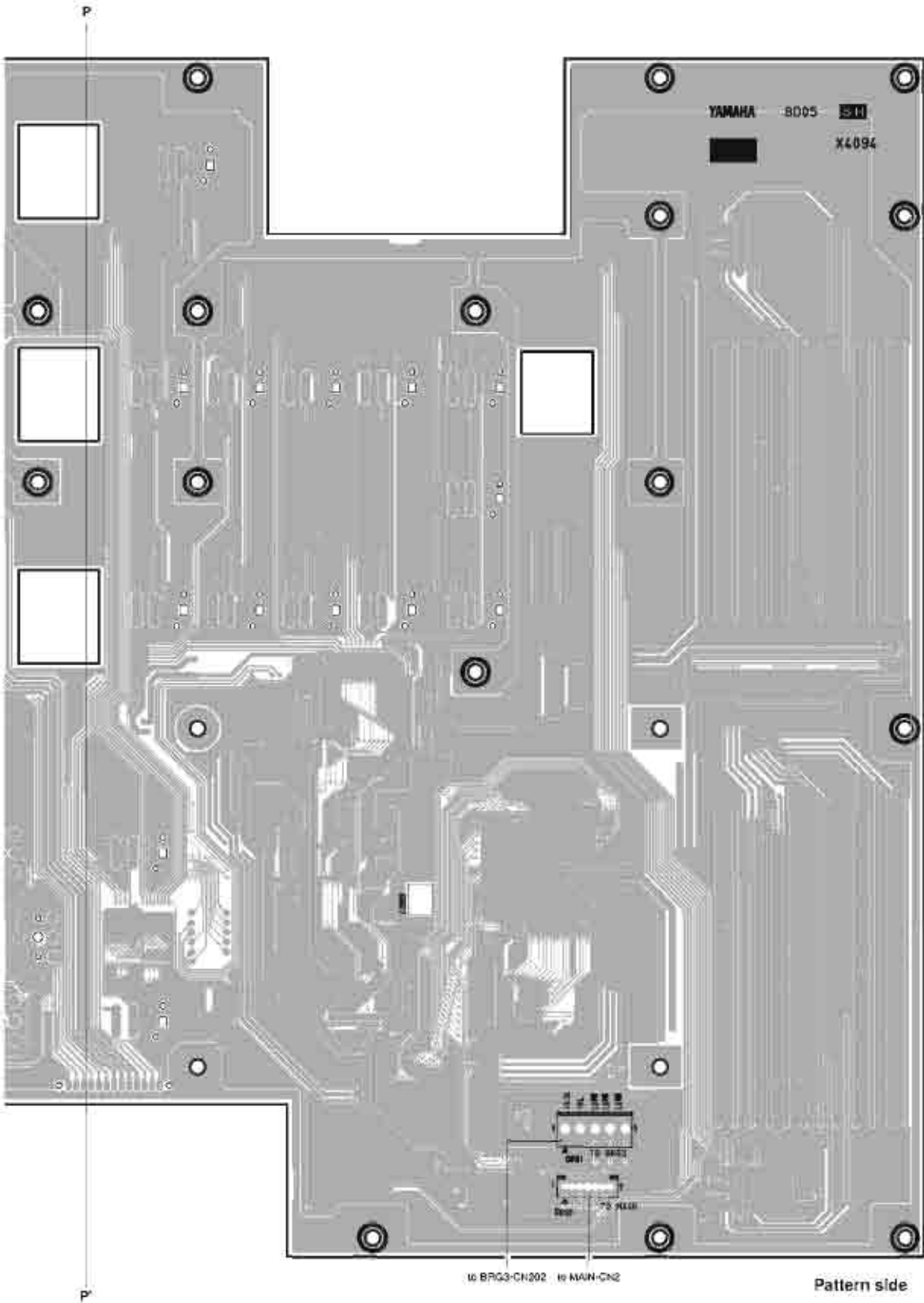
● SR (1/2) Circuit Board



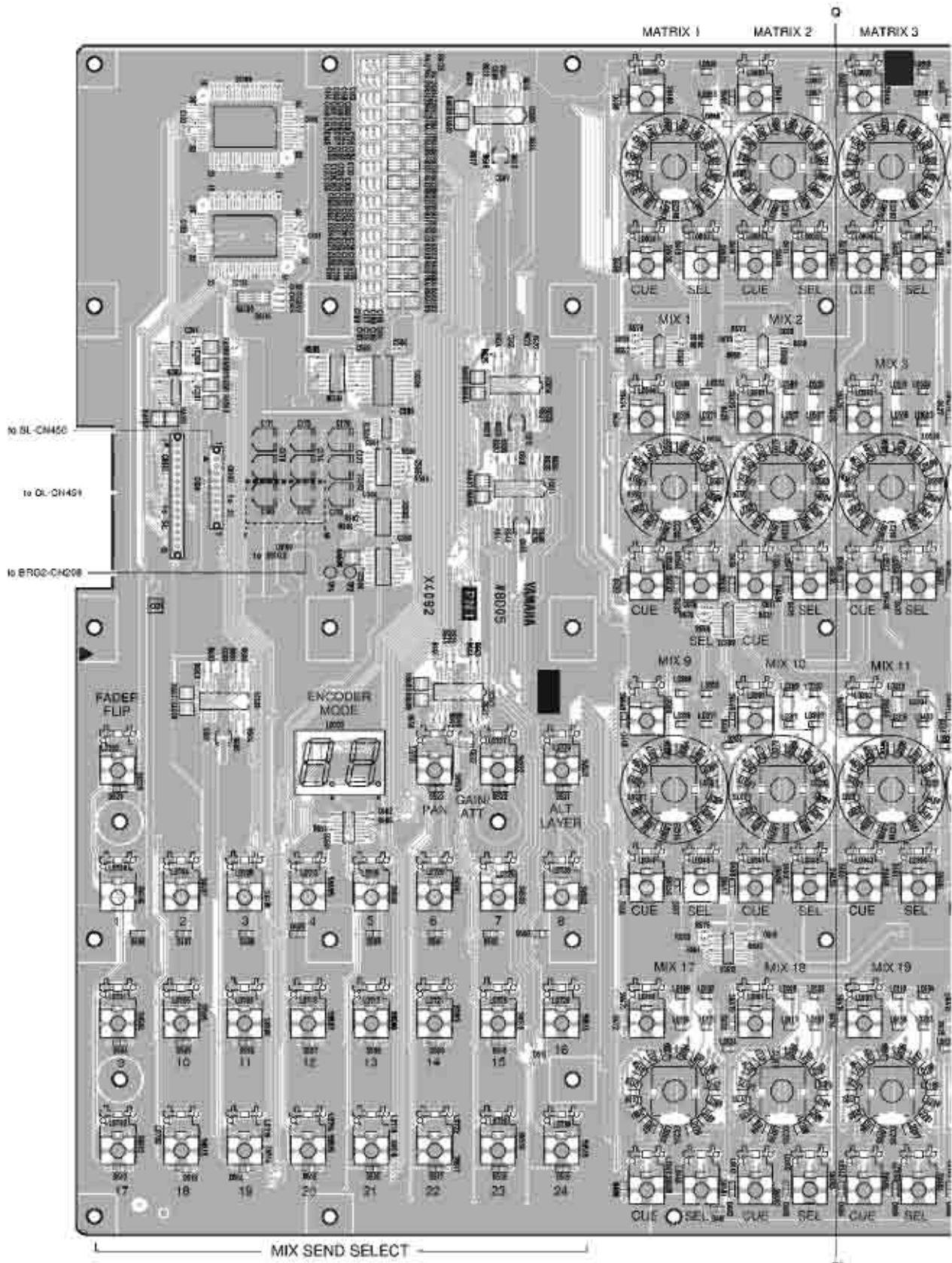


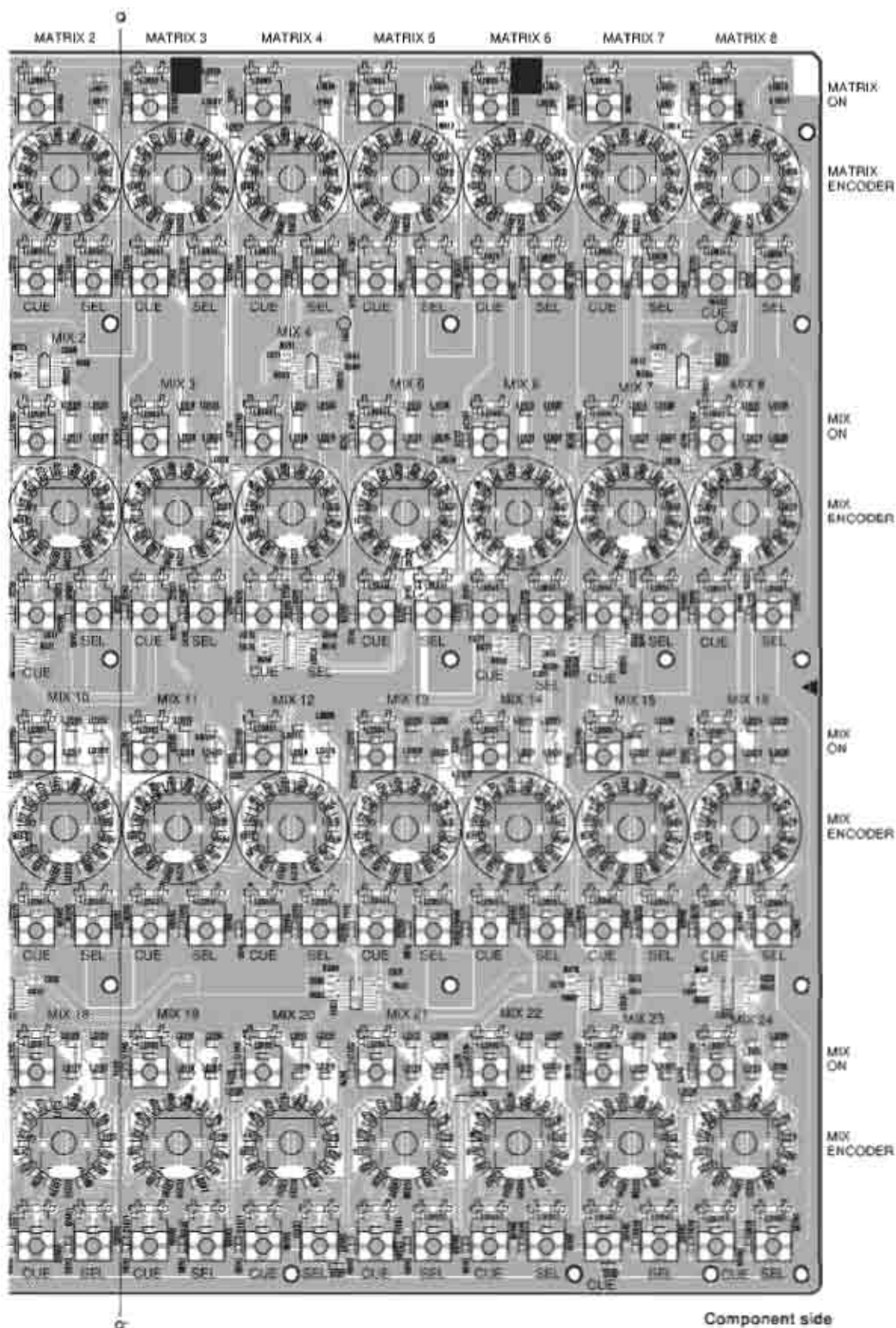
● SR (1/2) Circuit Board



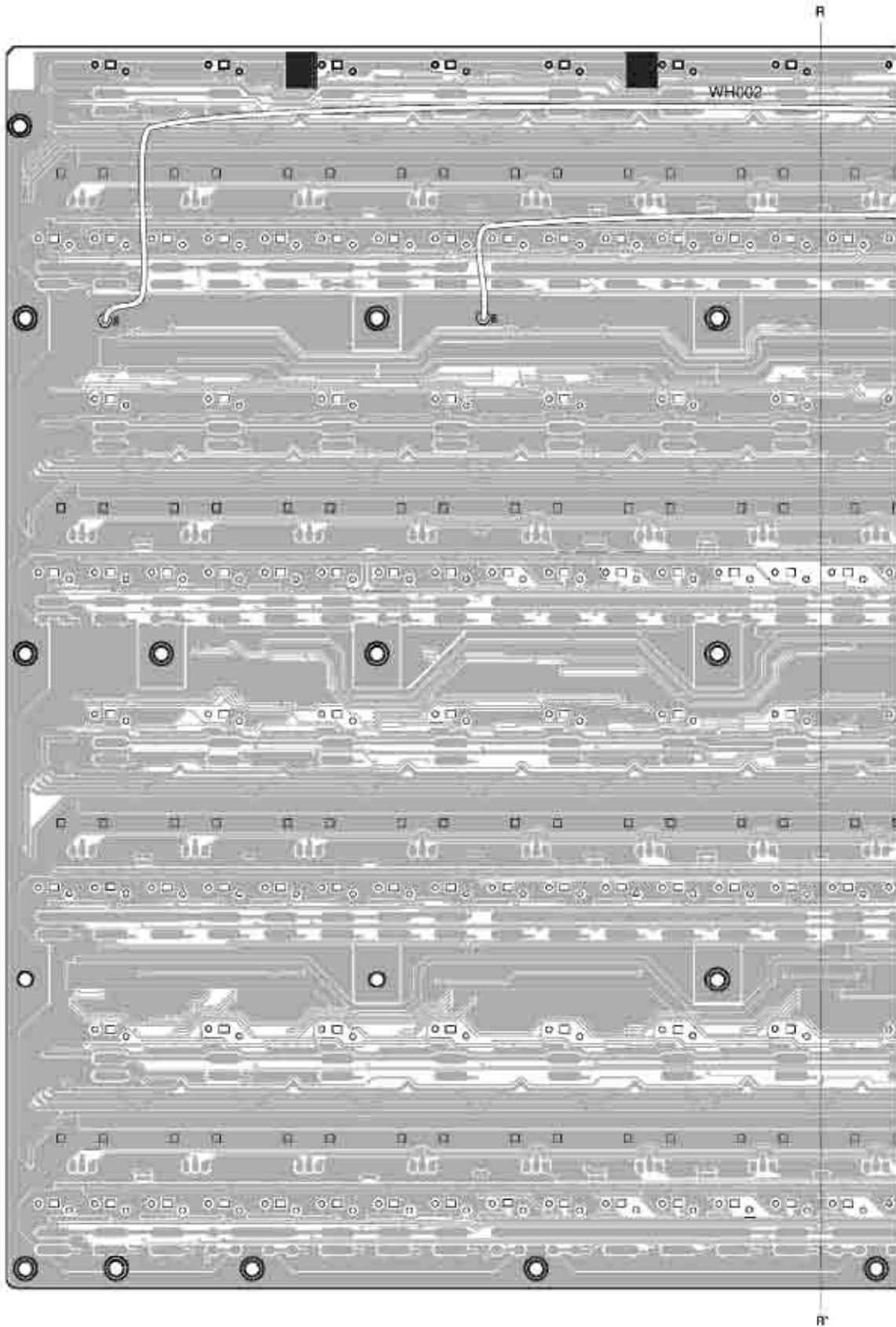


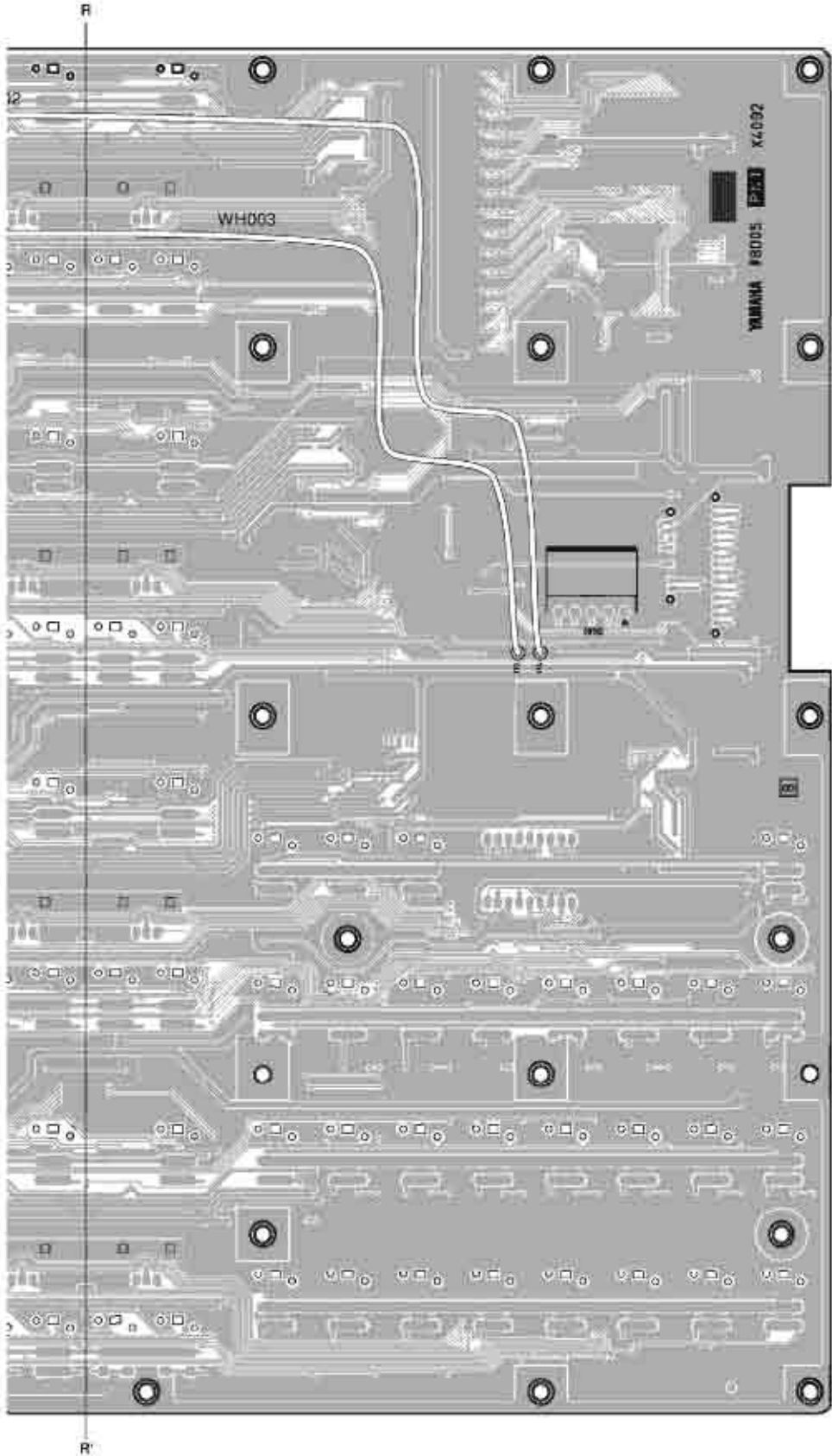
● PN1 Circuit Board





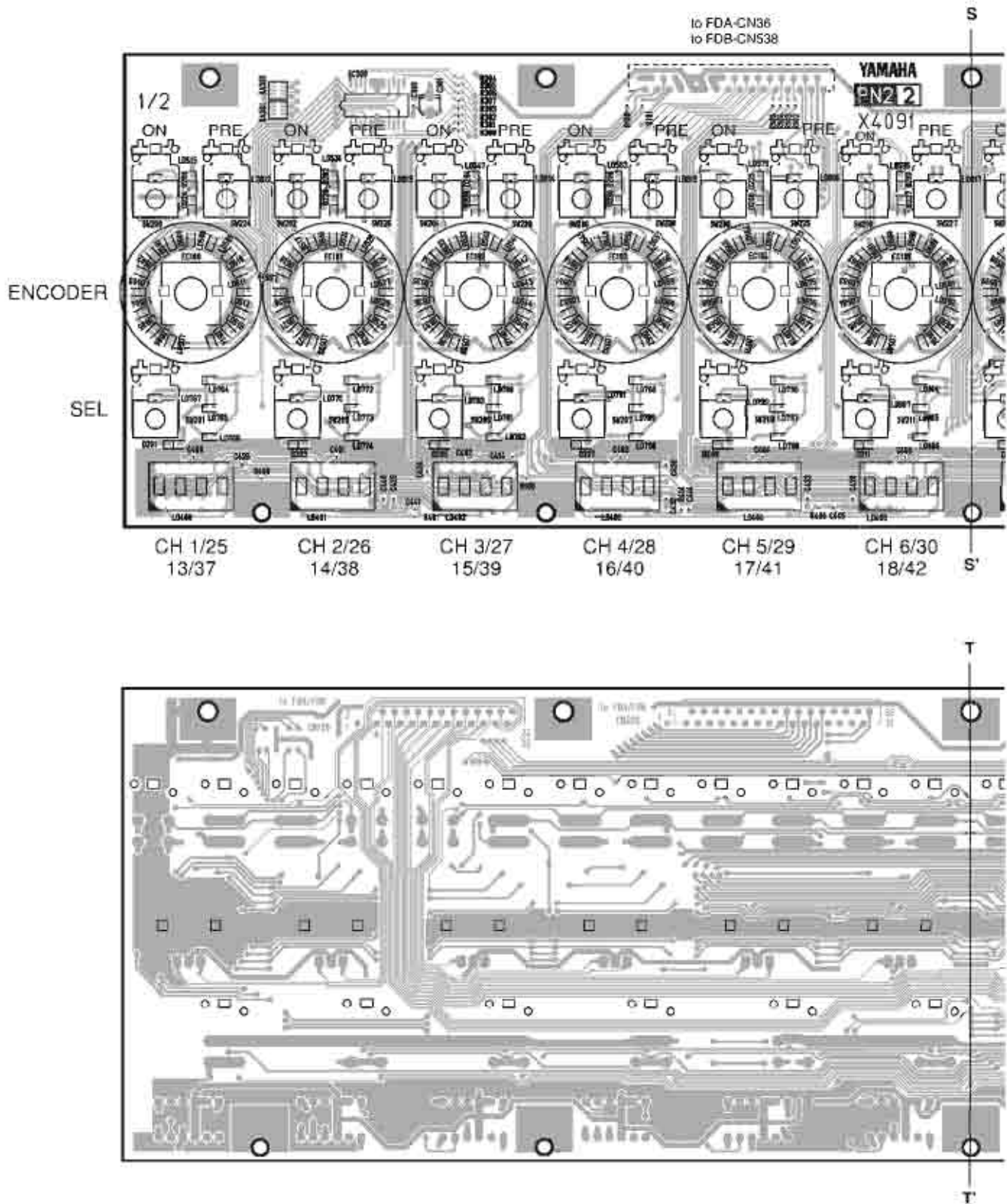
● PN1 Circuit Board

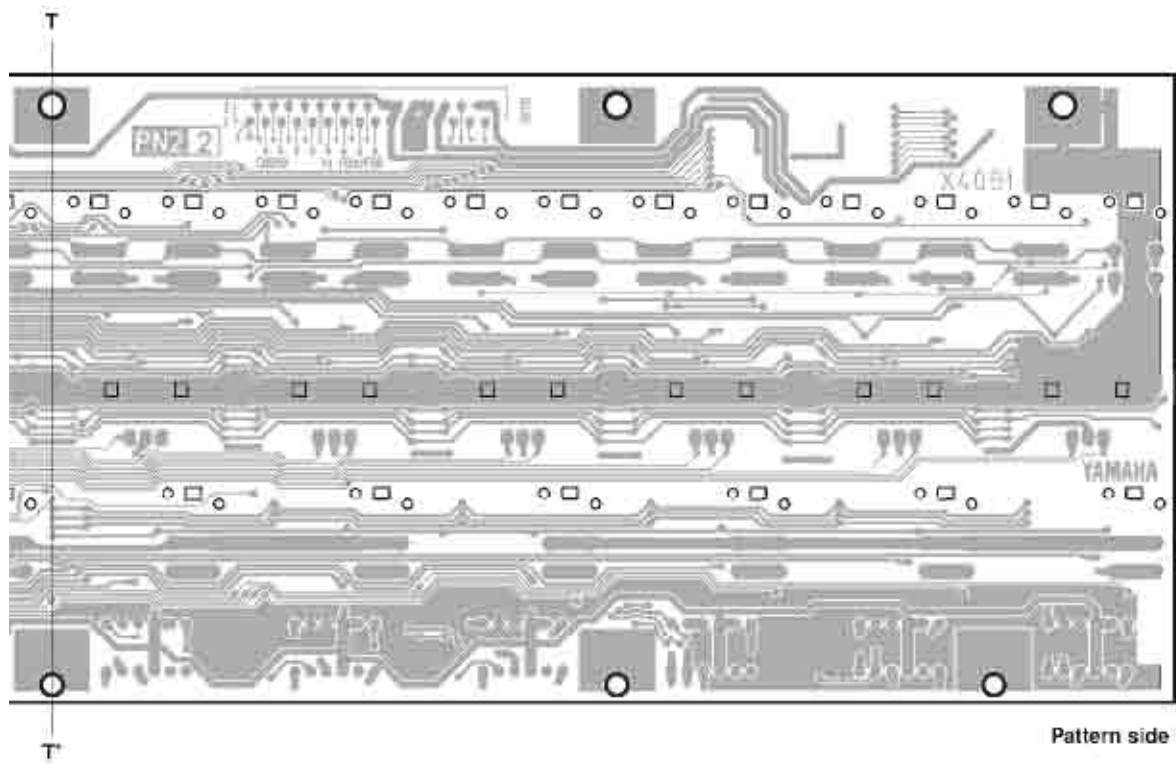
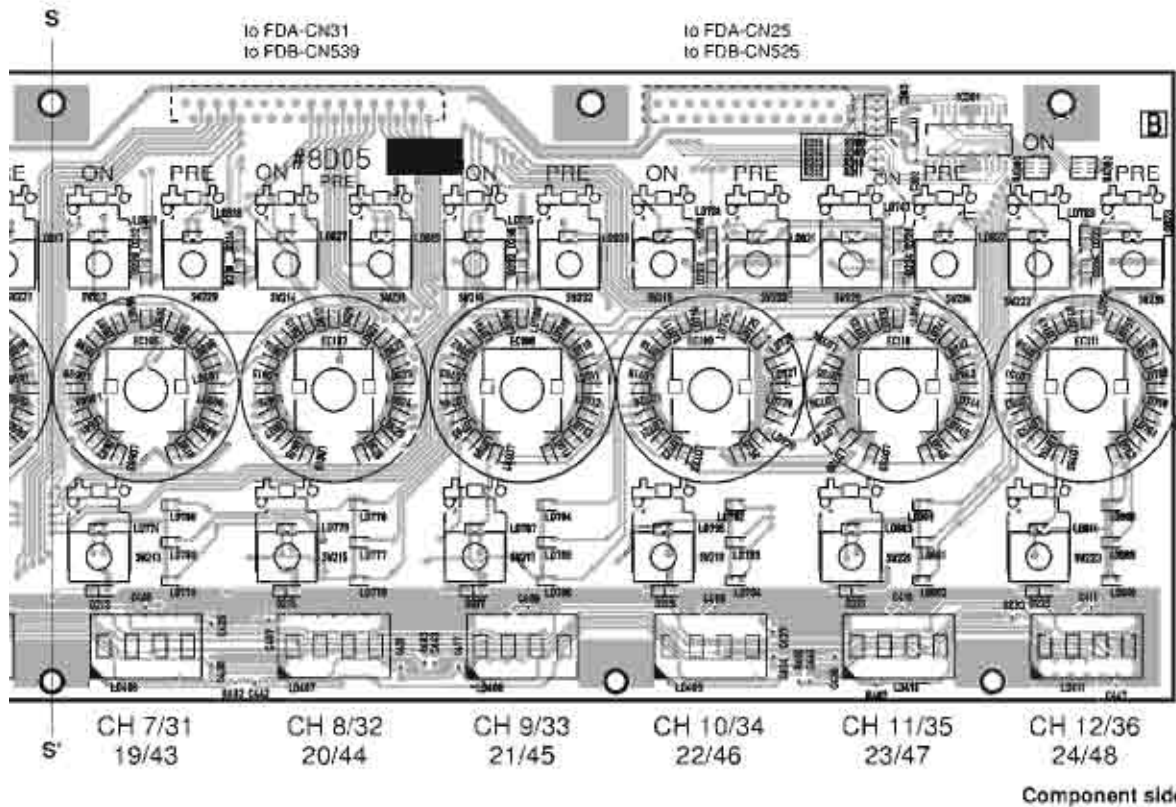




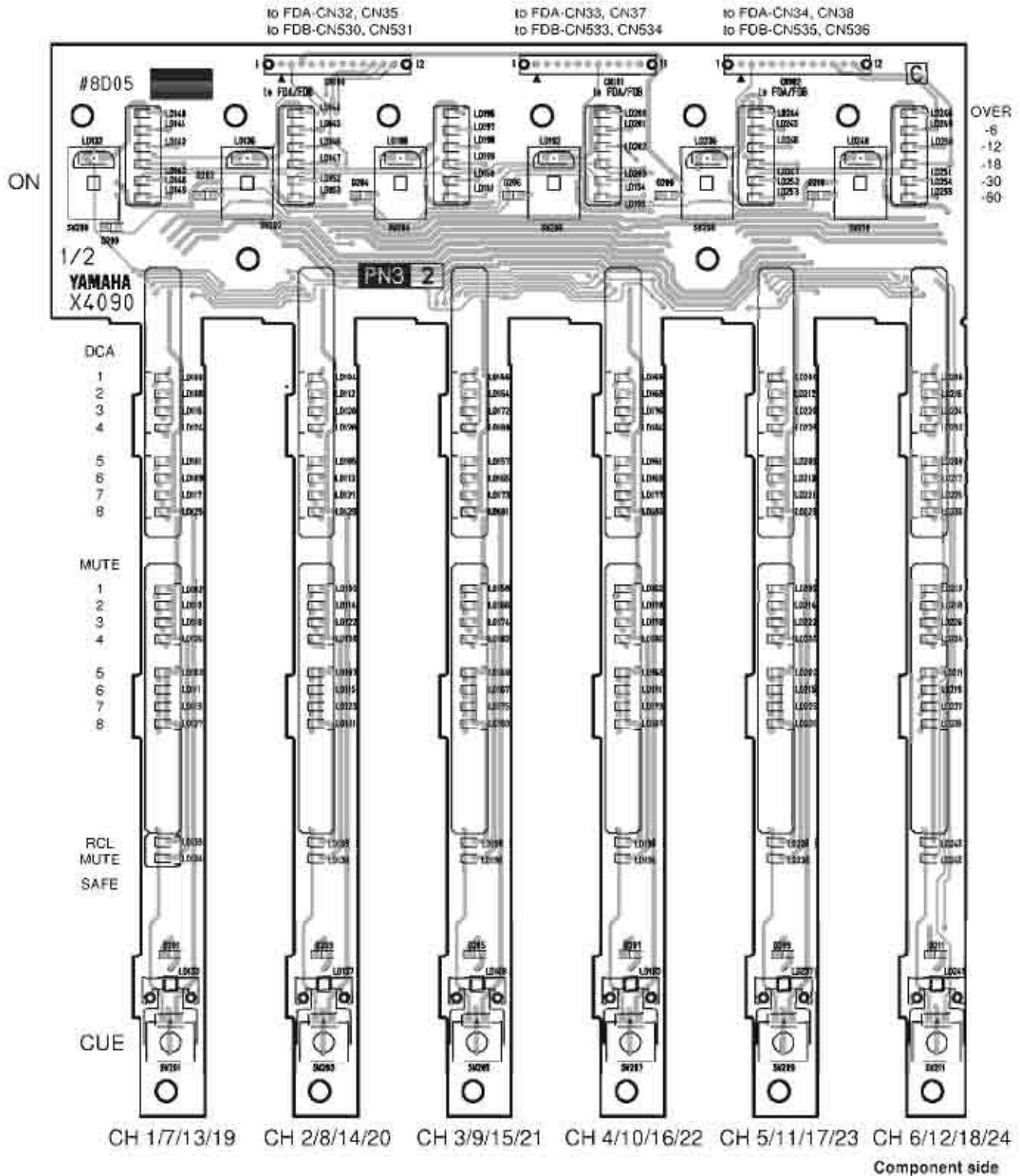
Pattern side

● PN2 Circuit Board

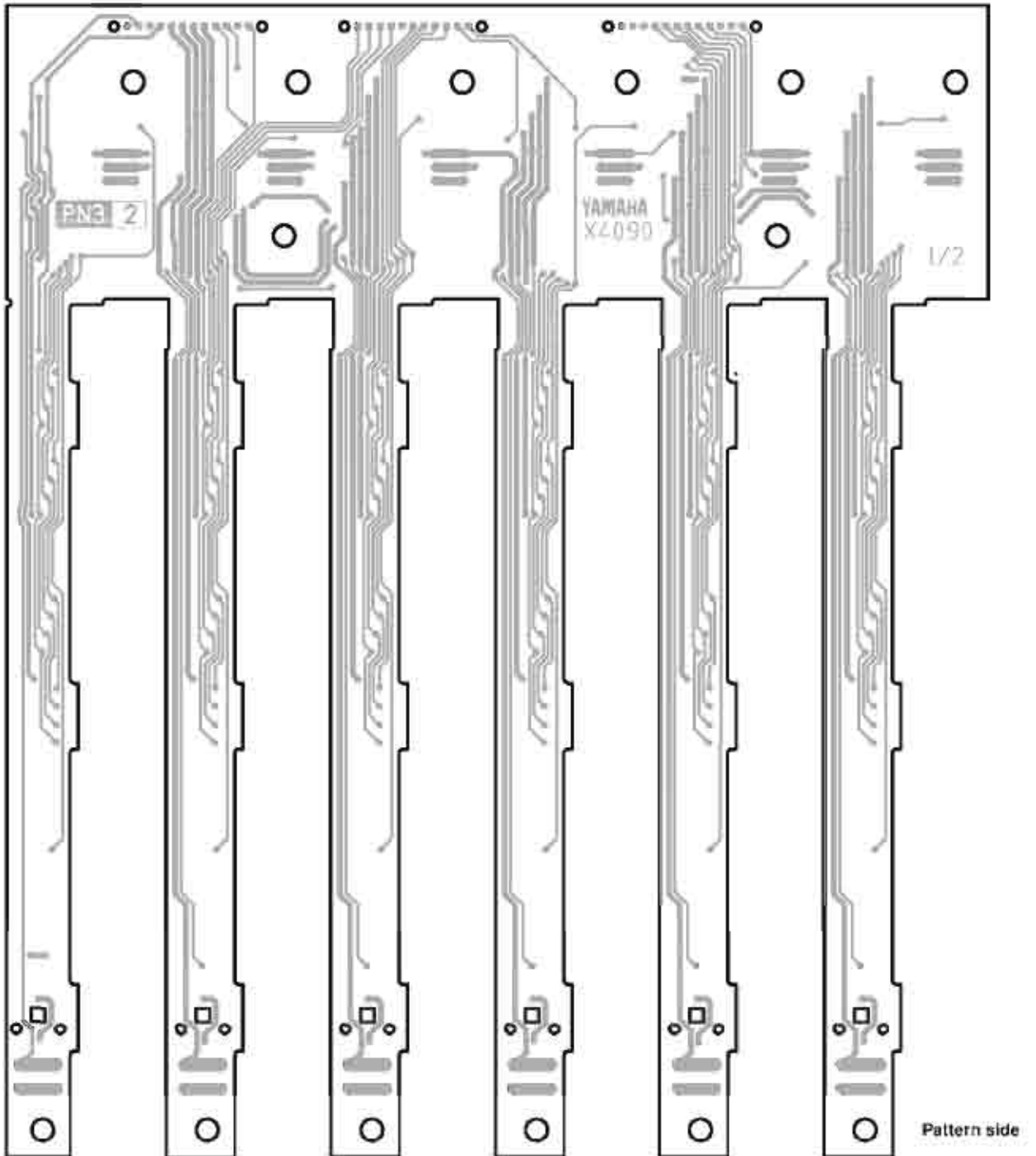




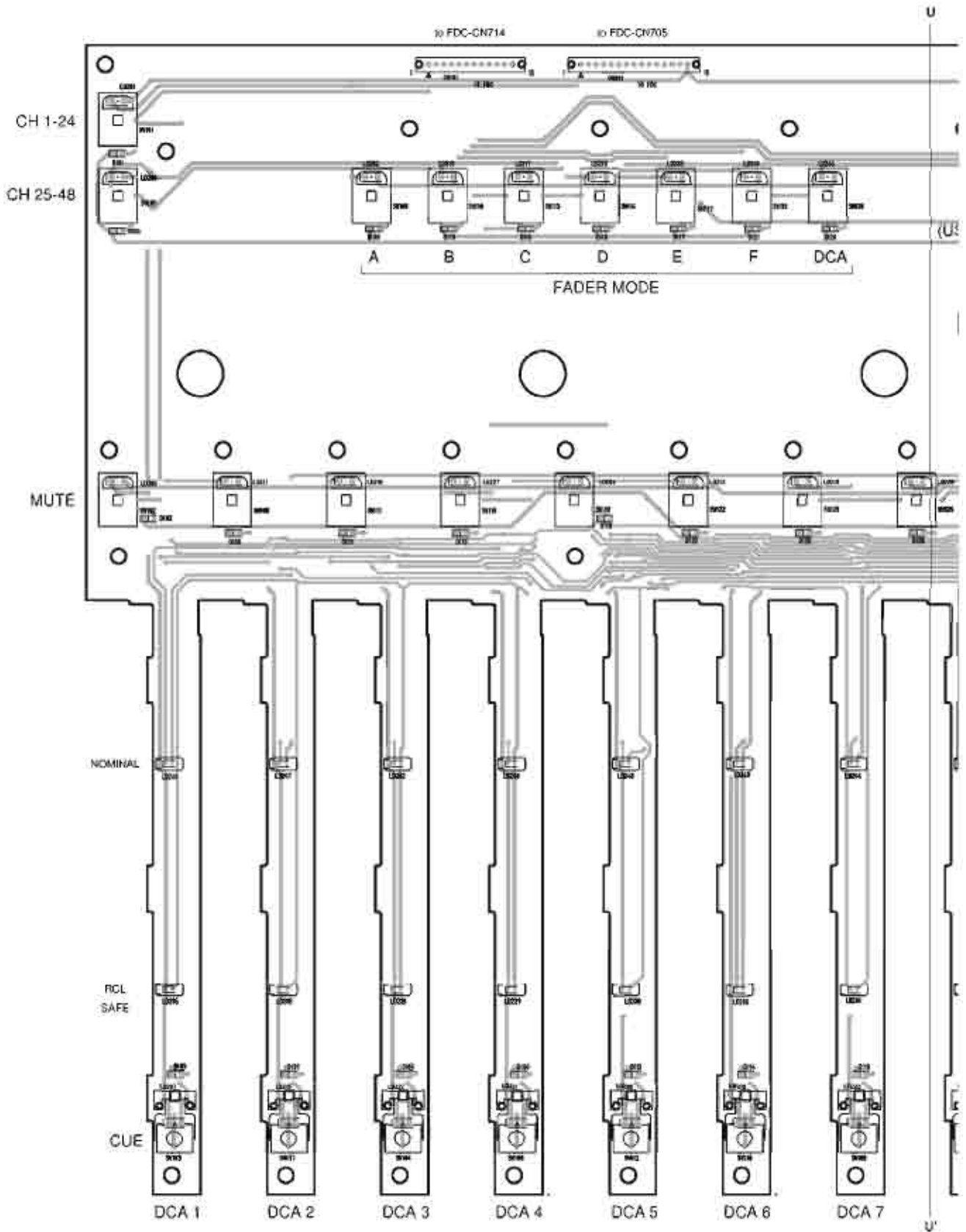
● PN3 Circuit Board



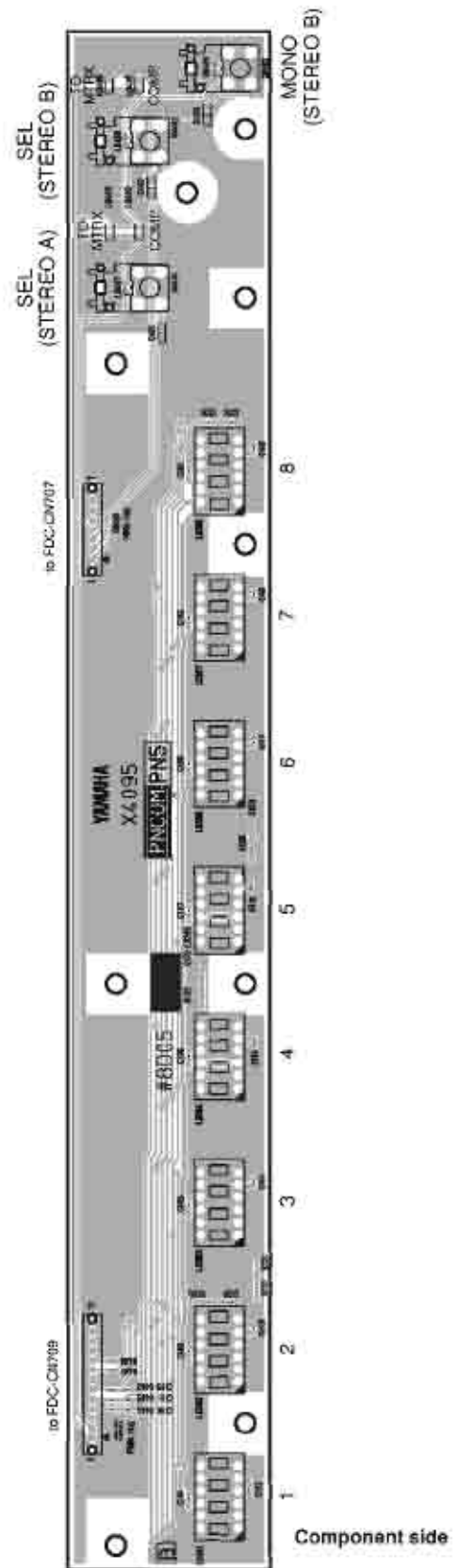
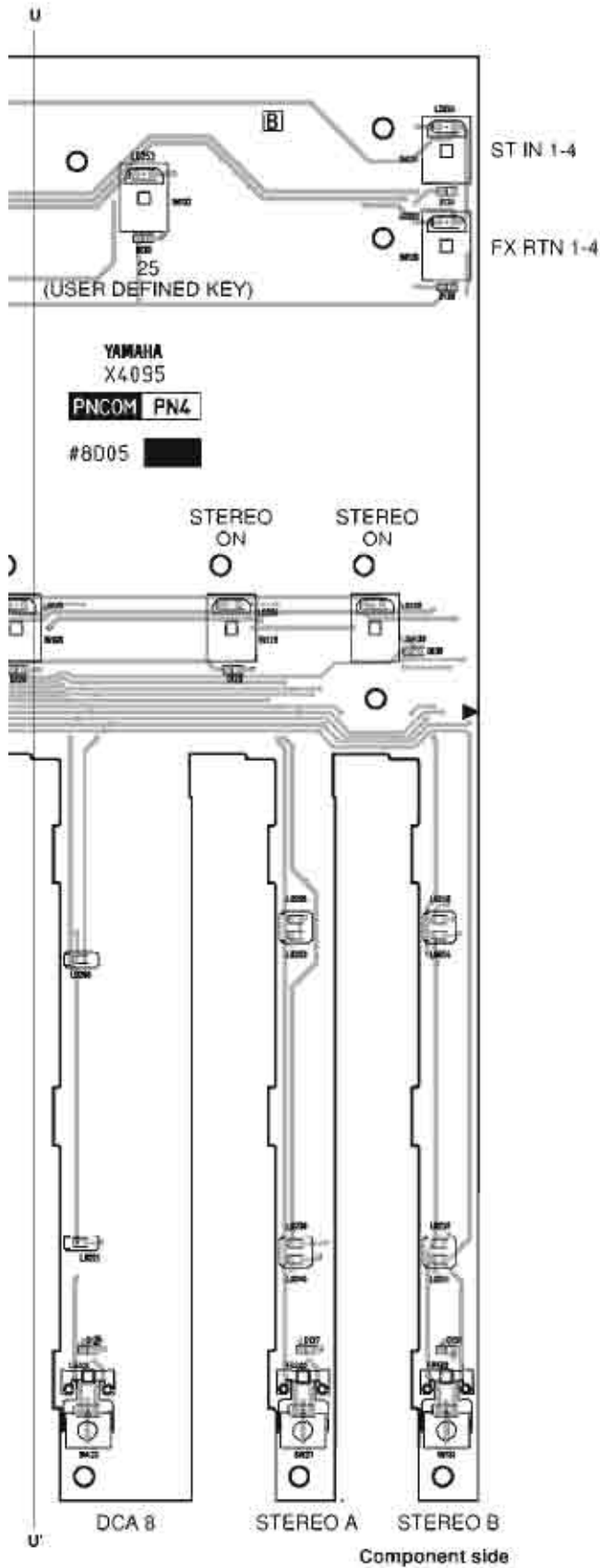
● PN3 Circuit Board



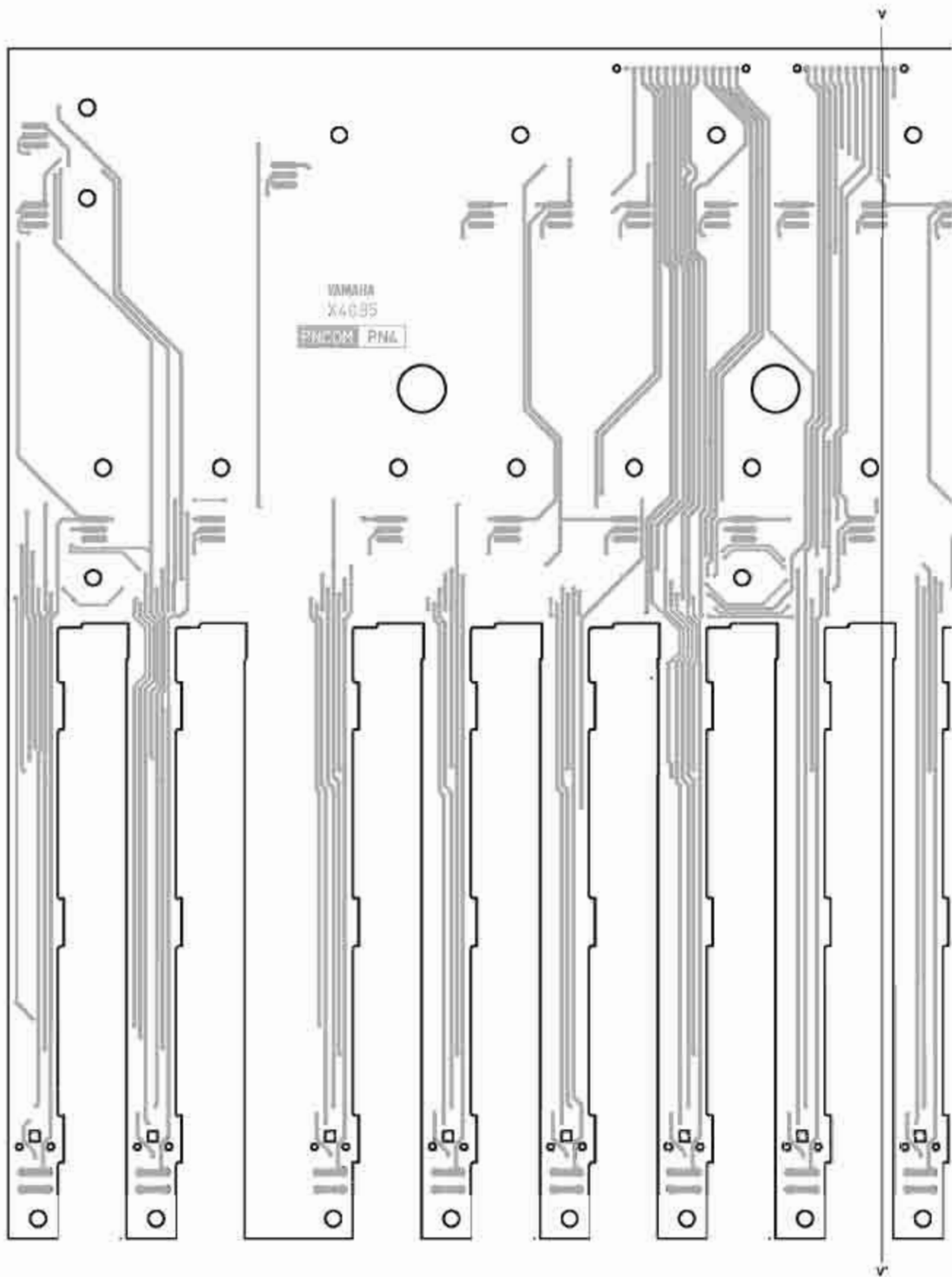
● PN4 Circuit Board



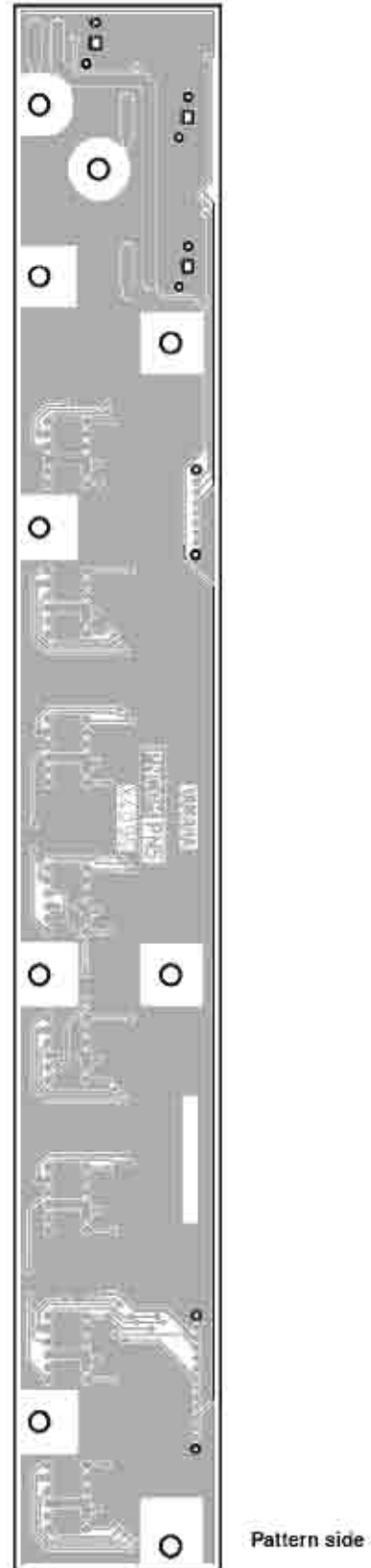
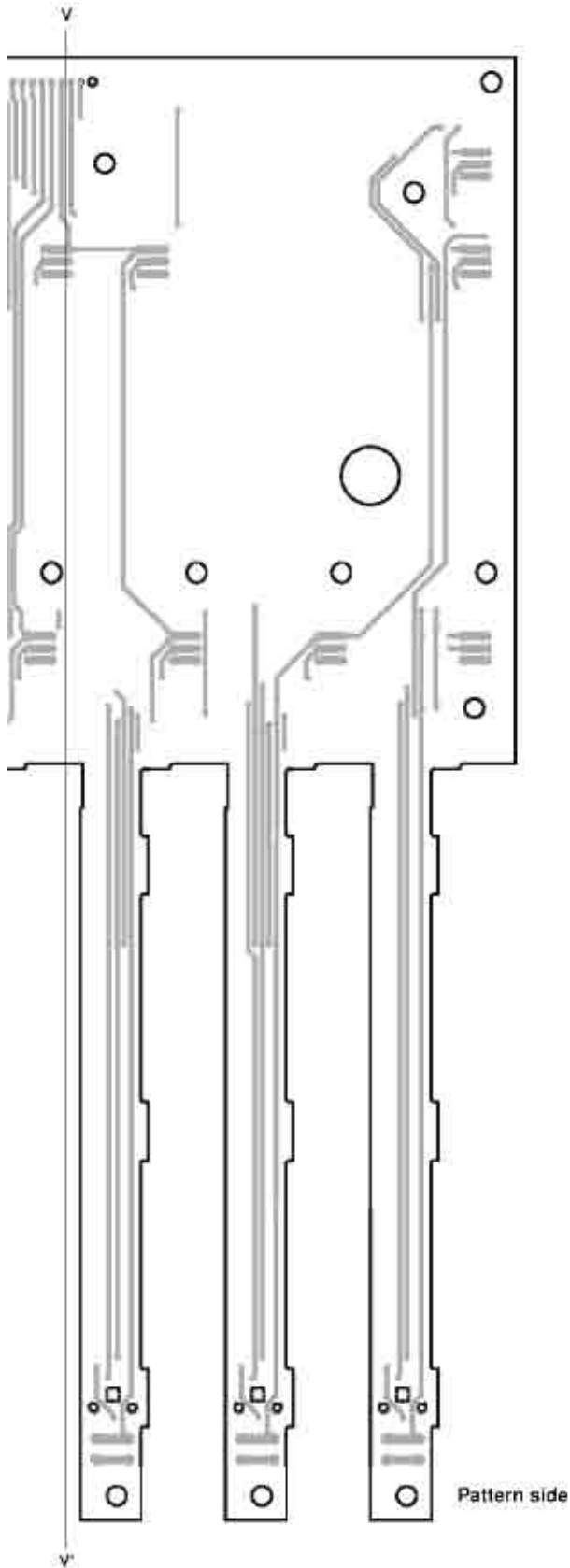
● PN5 Circuit Board



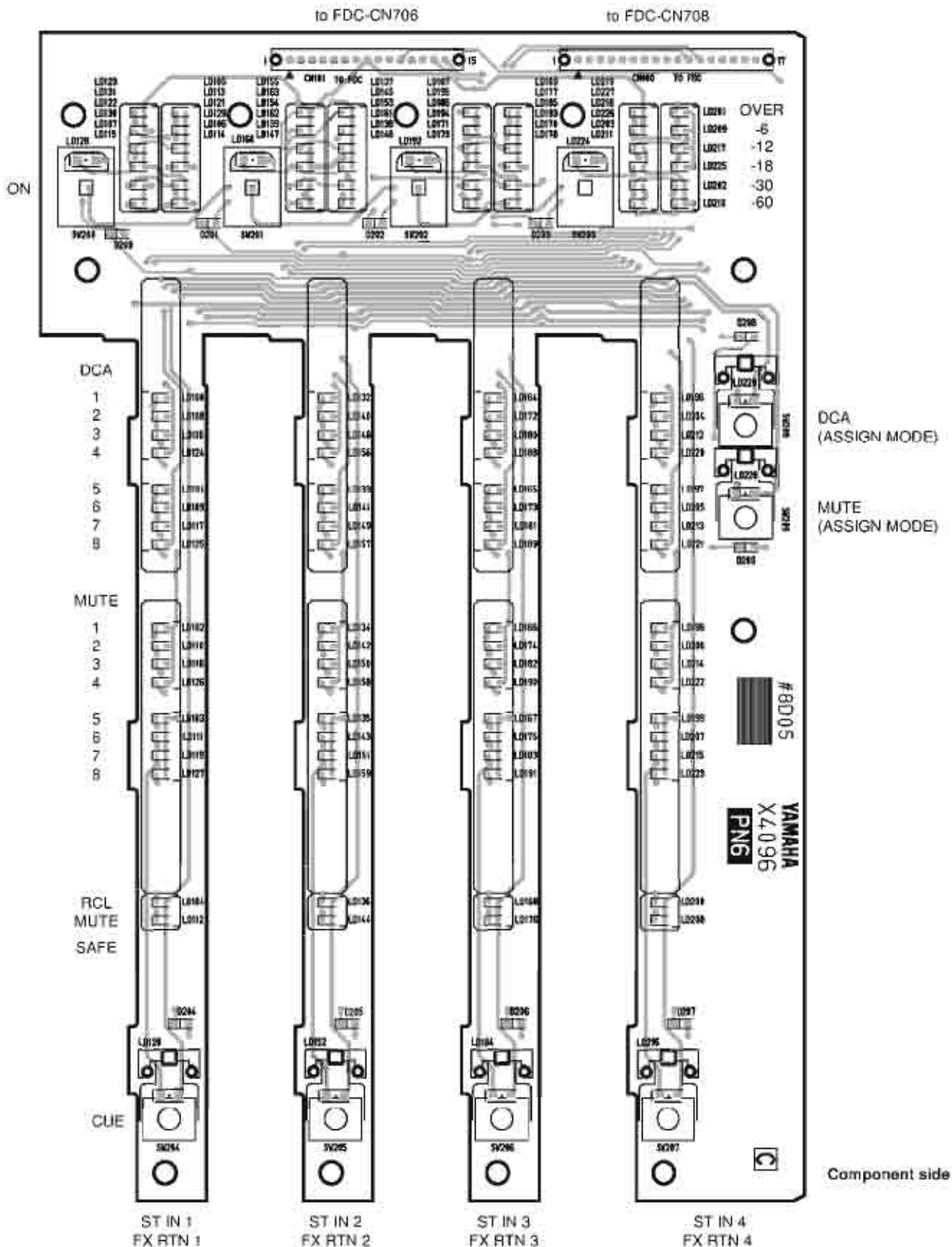
● PN4 Circuit Board



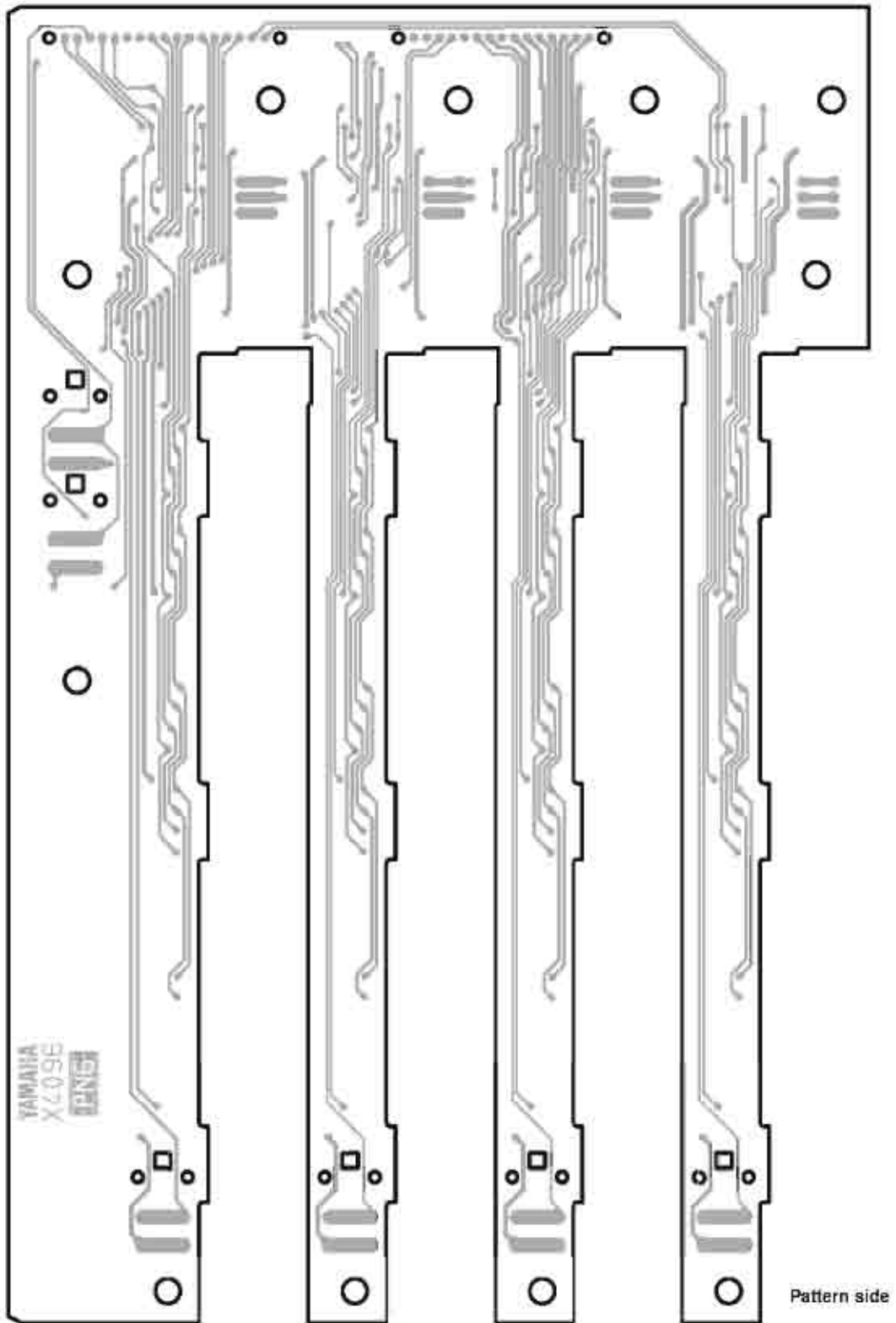
● PN5 Circuit Board



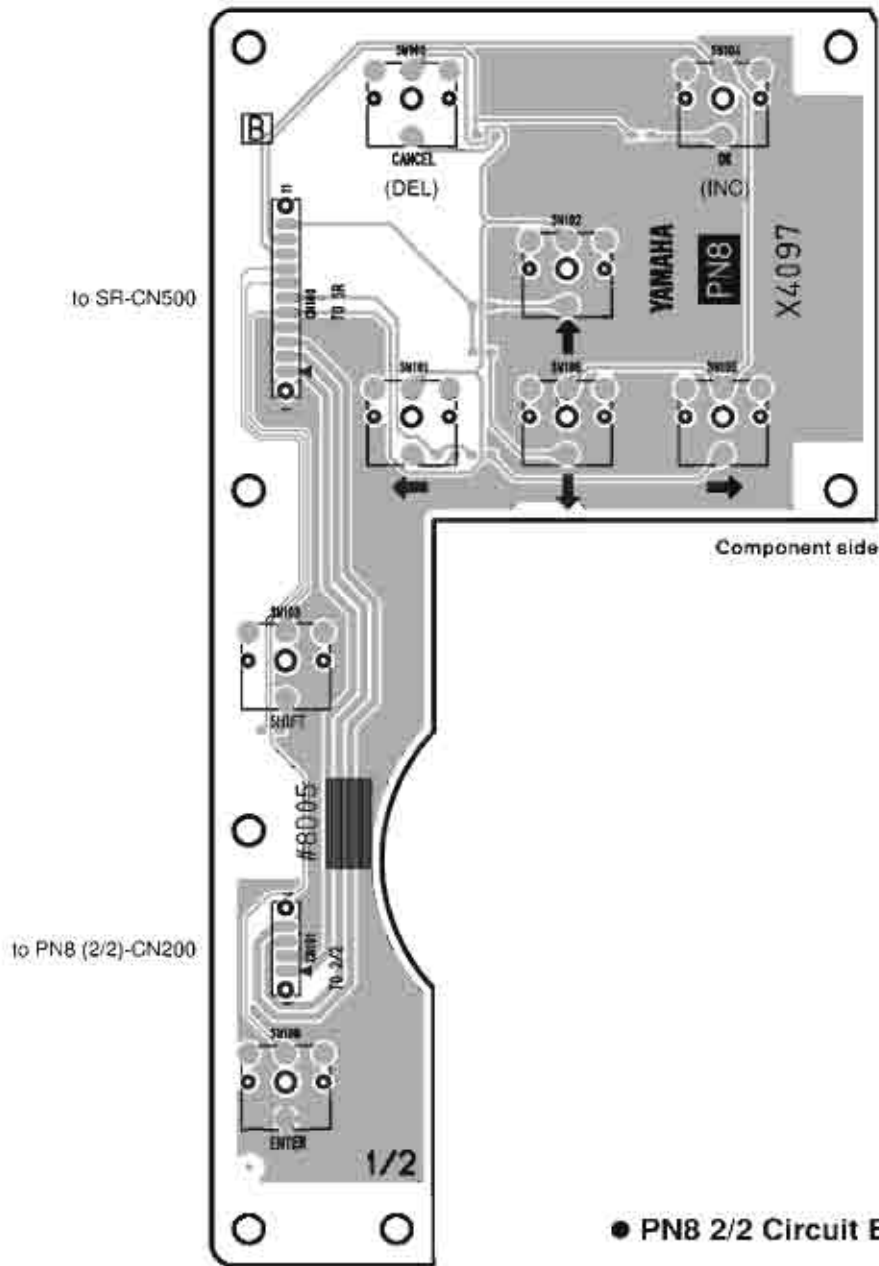
● PN6 Circuit Board



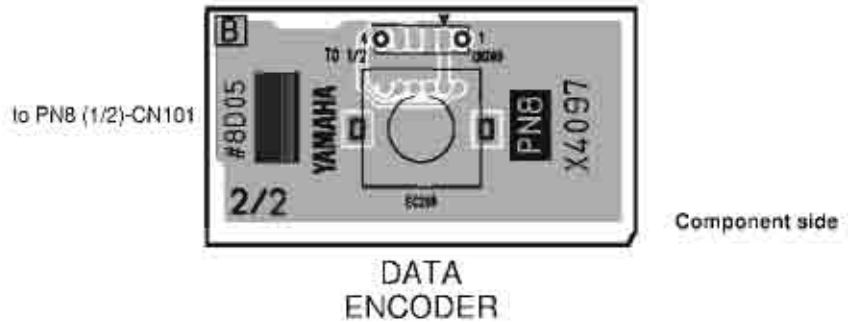
● PN6 Circuit Board



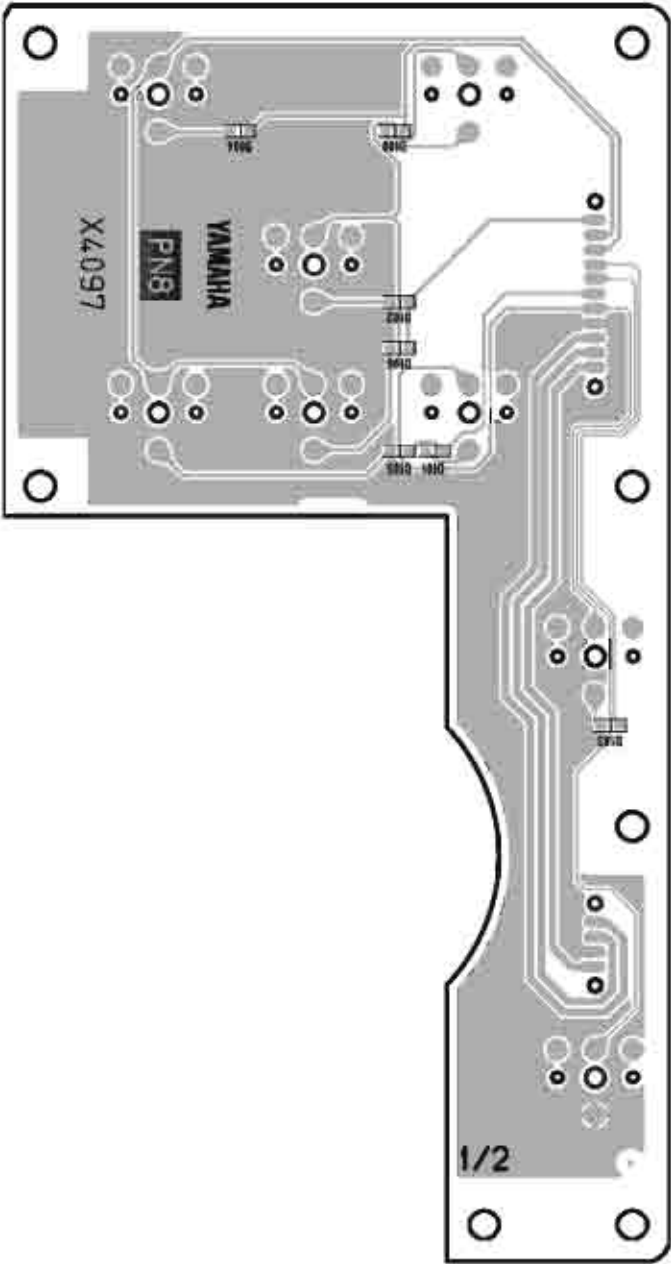
● PN8 1/2 Circuit Board



● PN8 2/2 Circuit Board

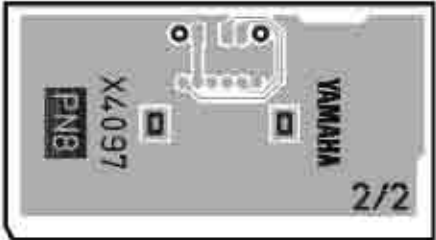


● PN8 1/2 Circuit Board



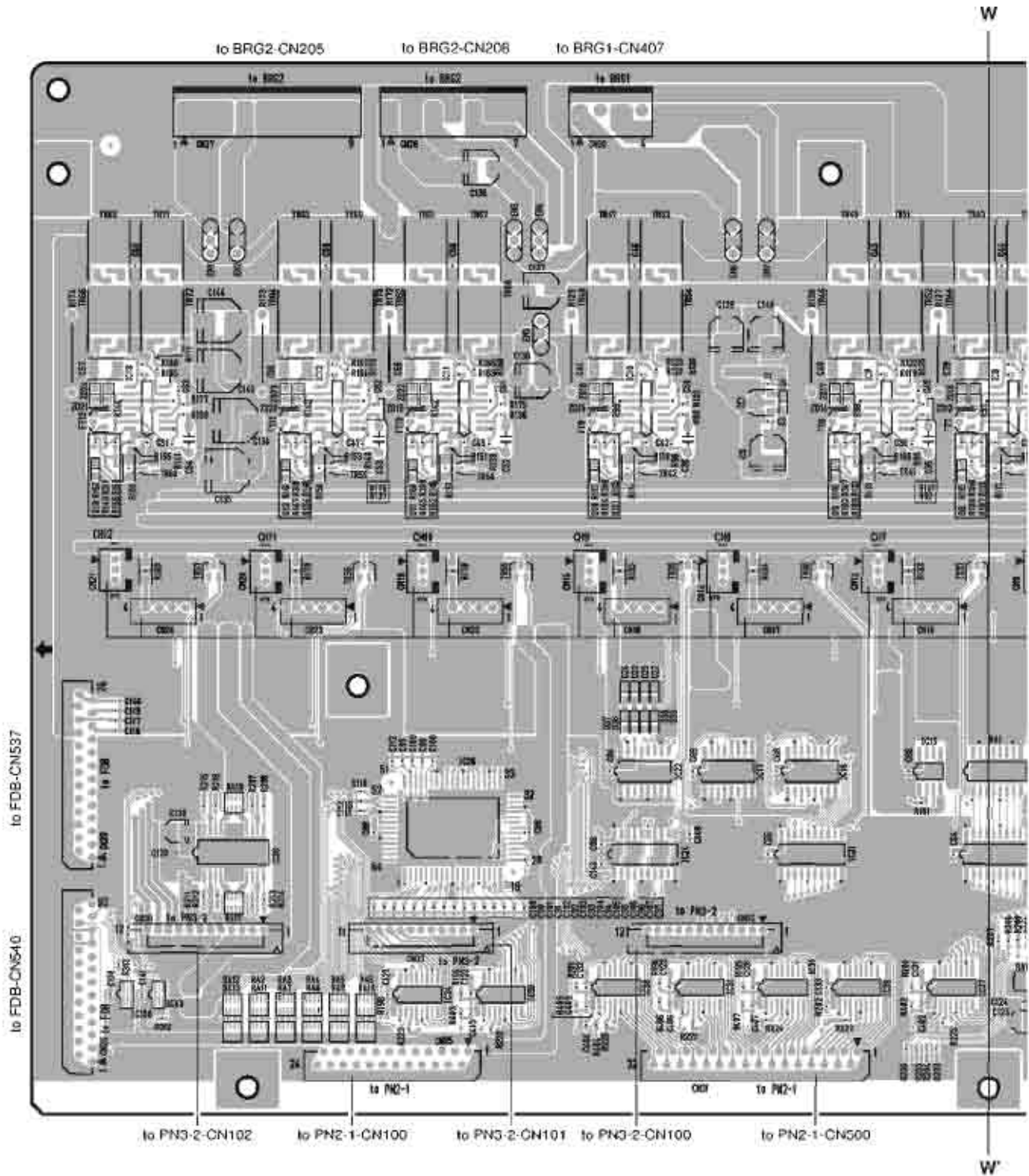
Pattern side

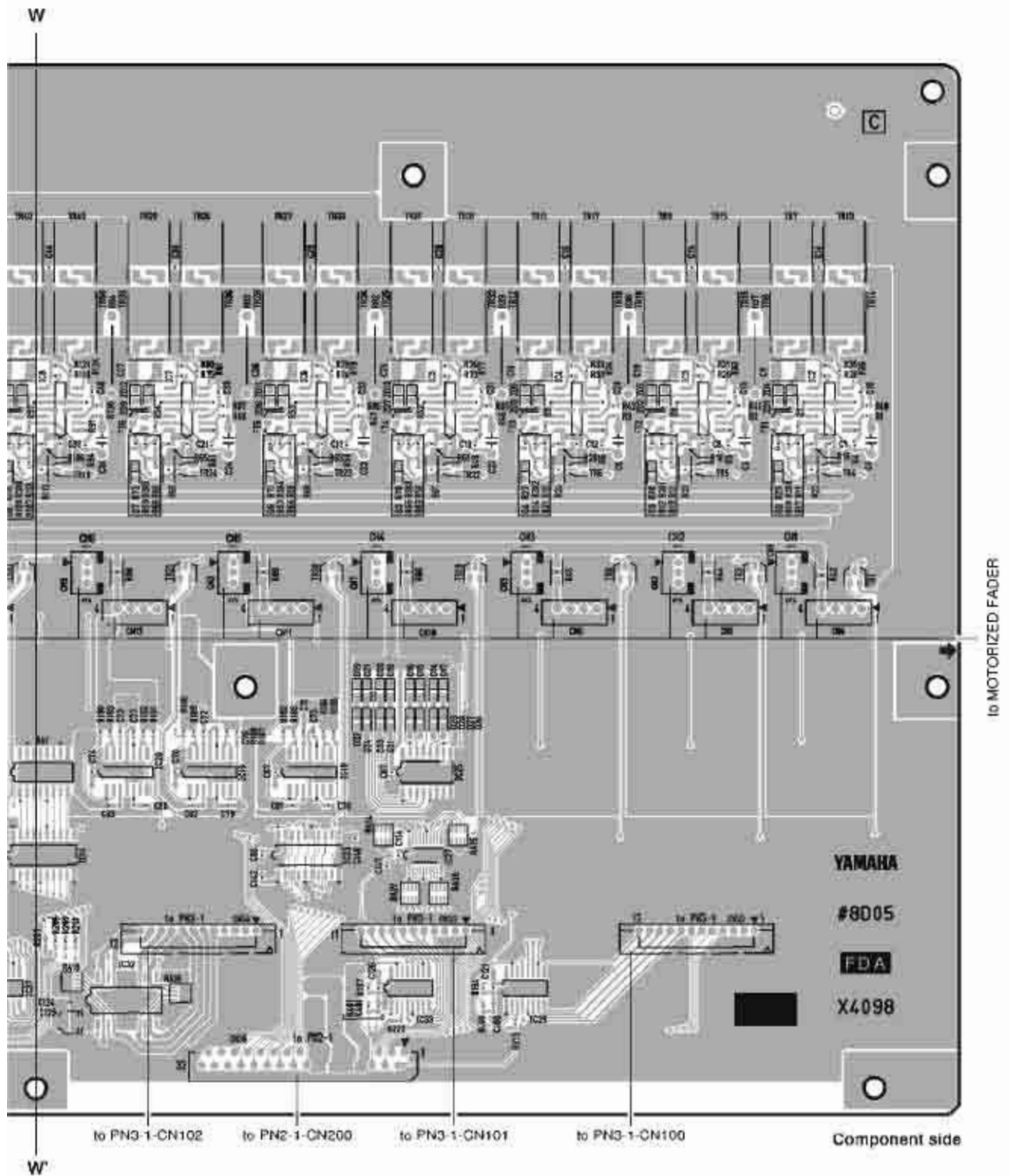
● PN8 2/2 Circuit Board



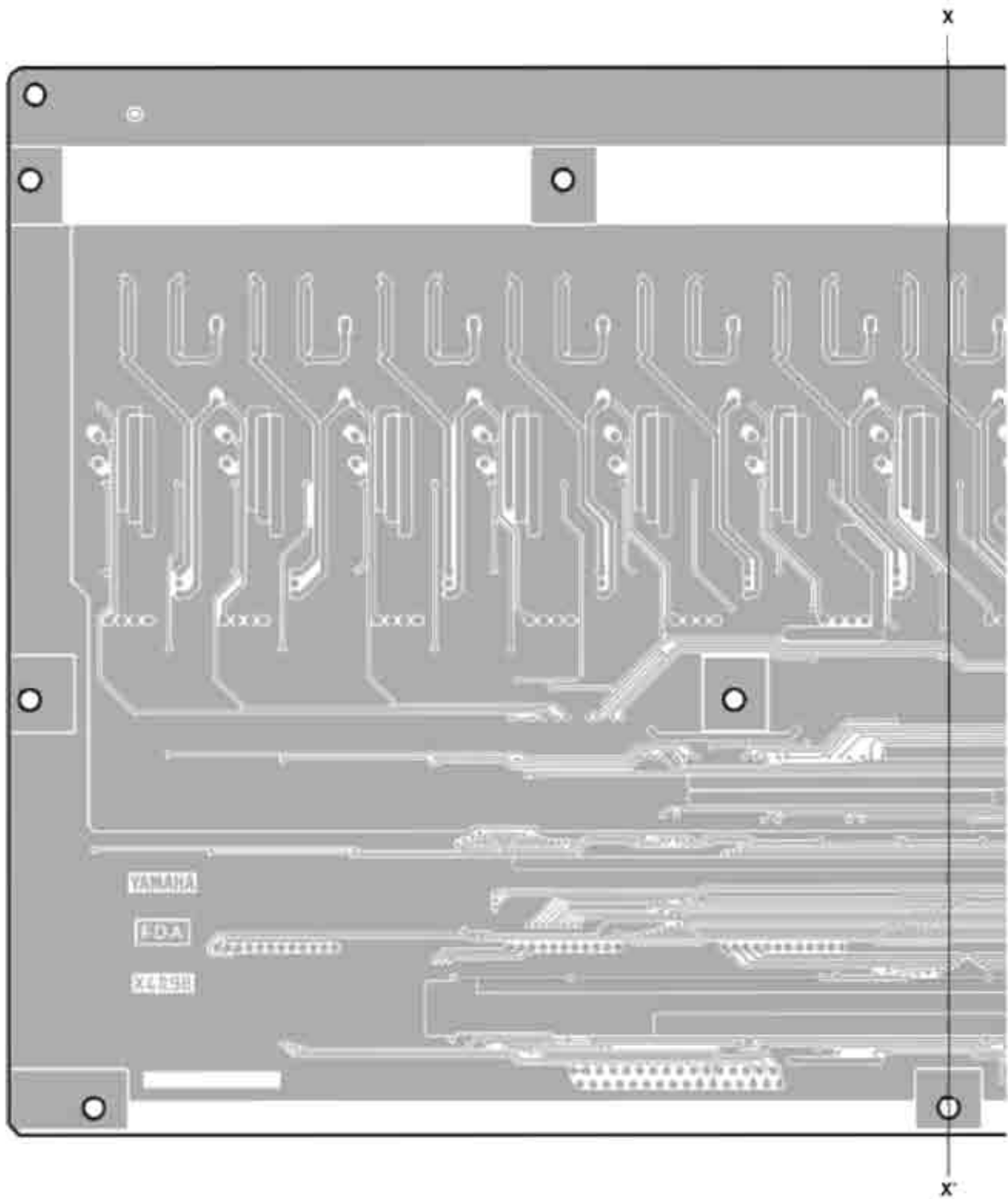
Pattern side

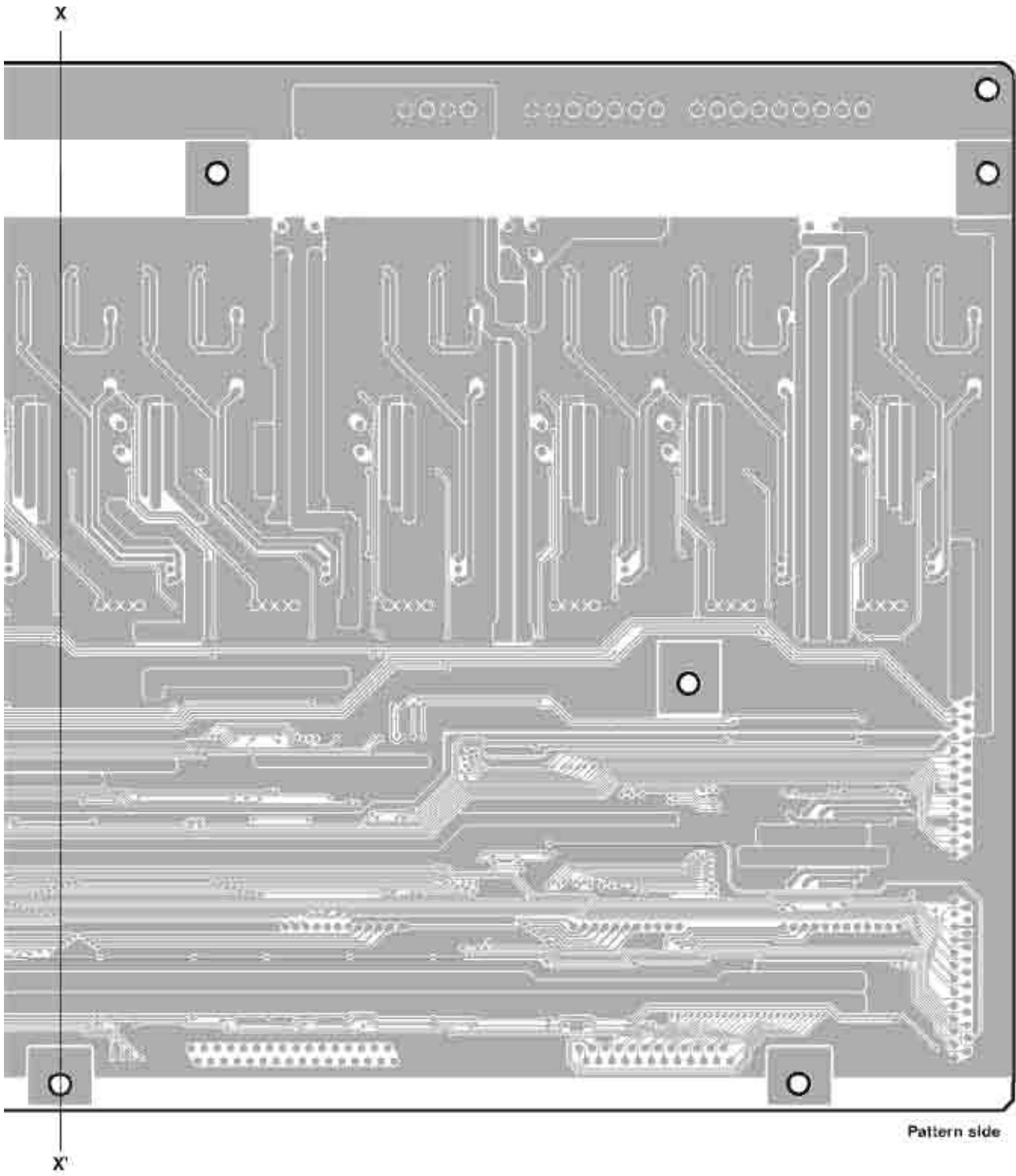
● FDA Circuit Board



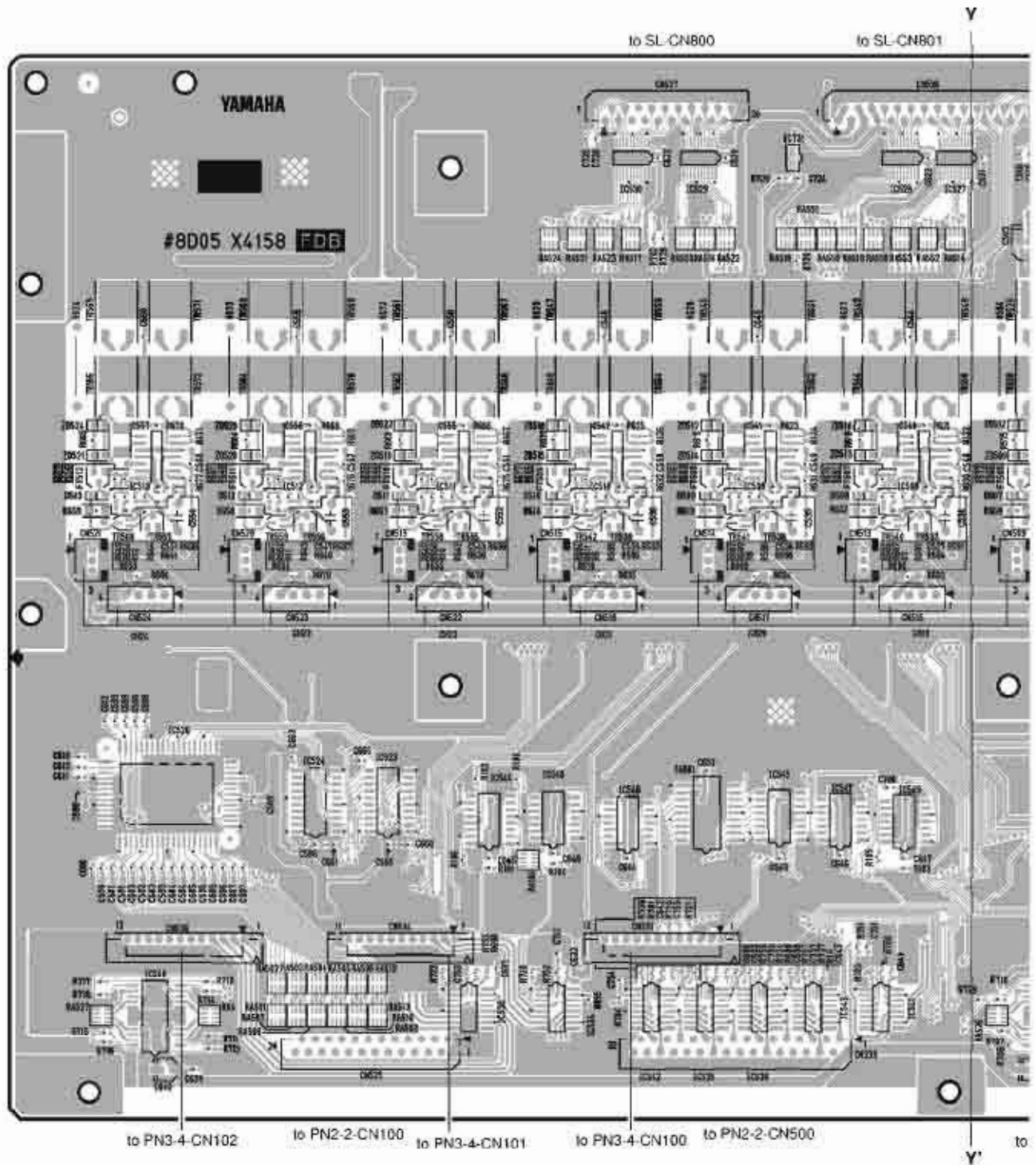


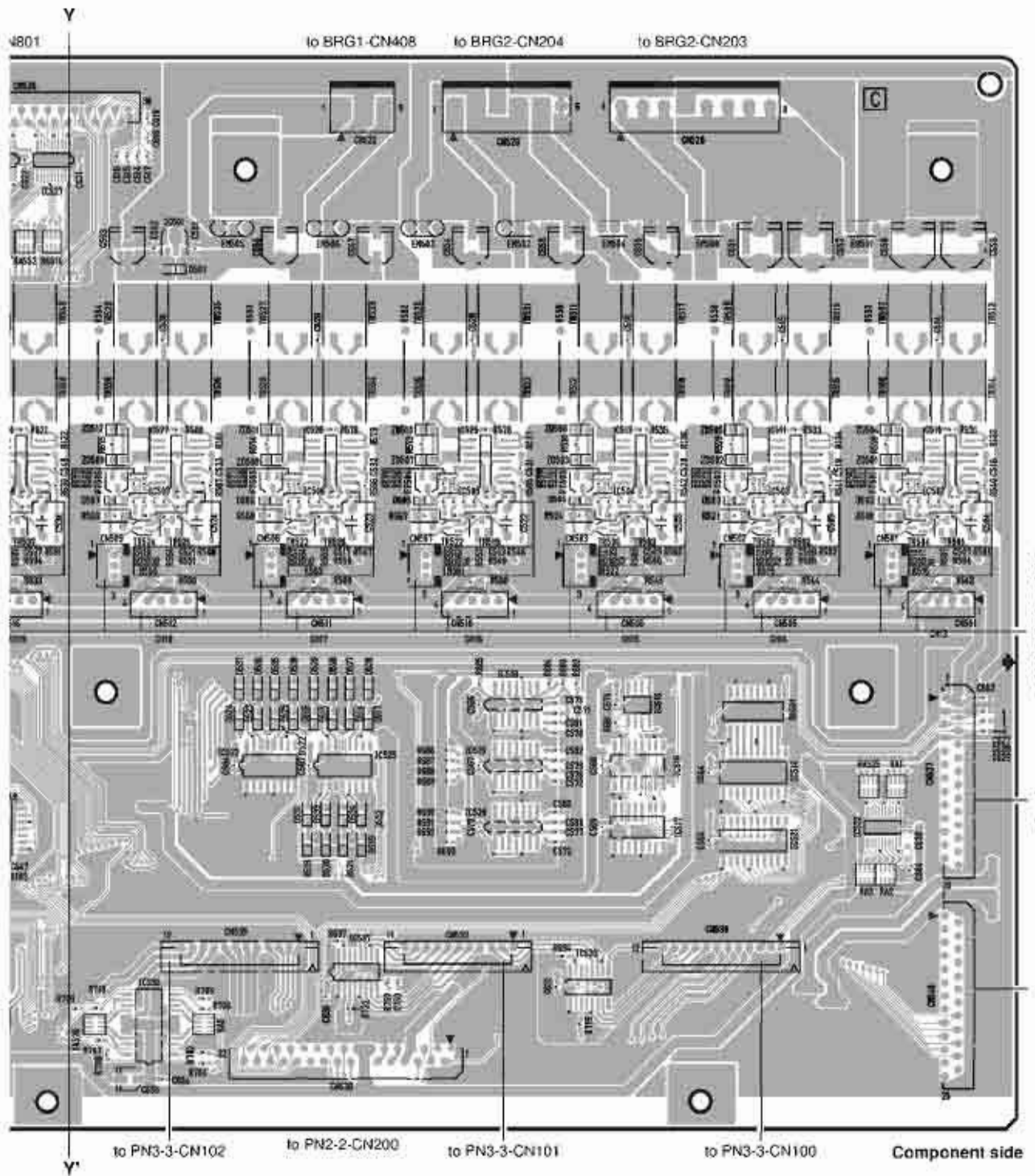
● FDA Circuit Board



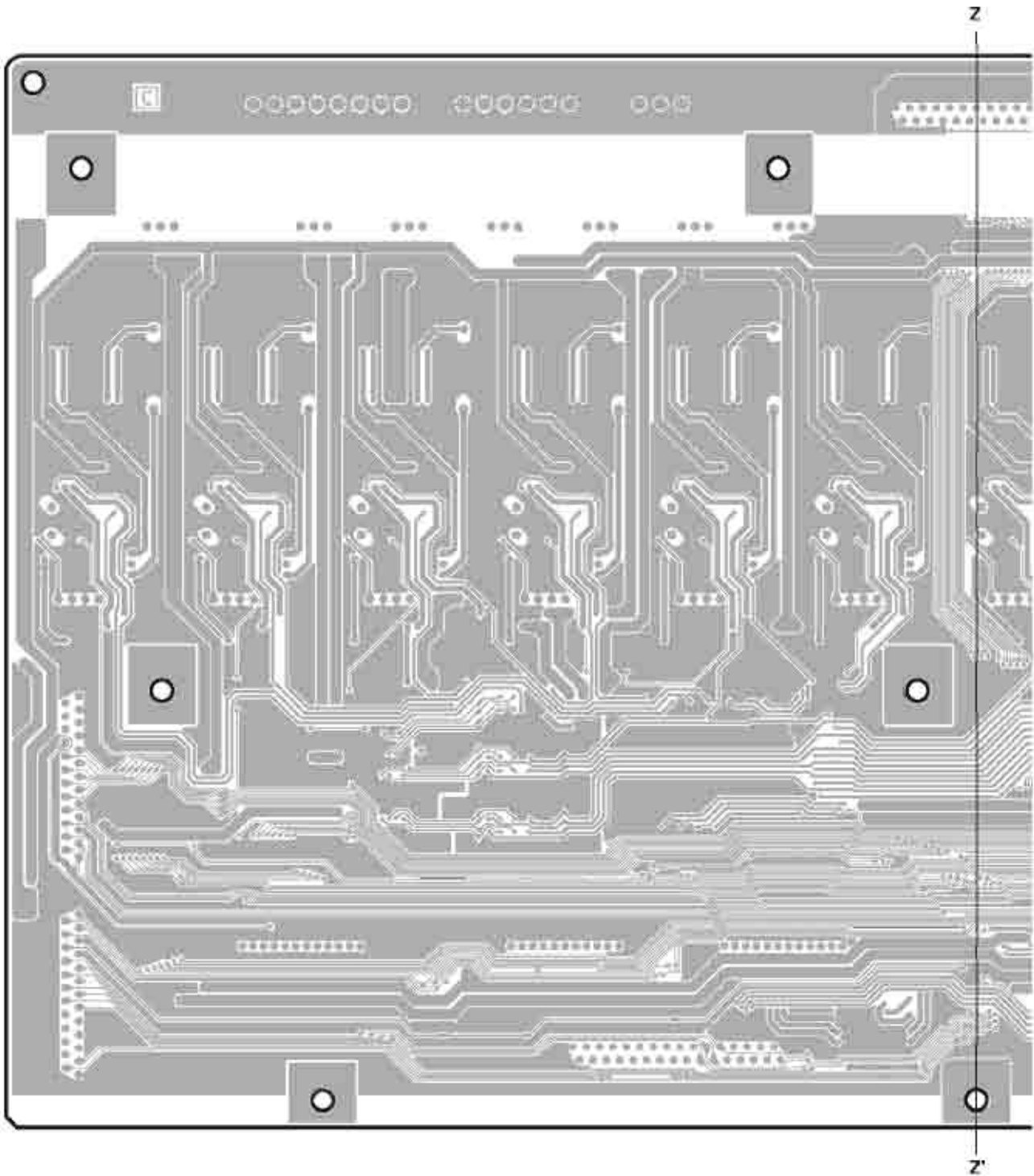


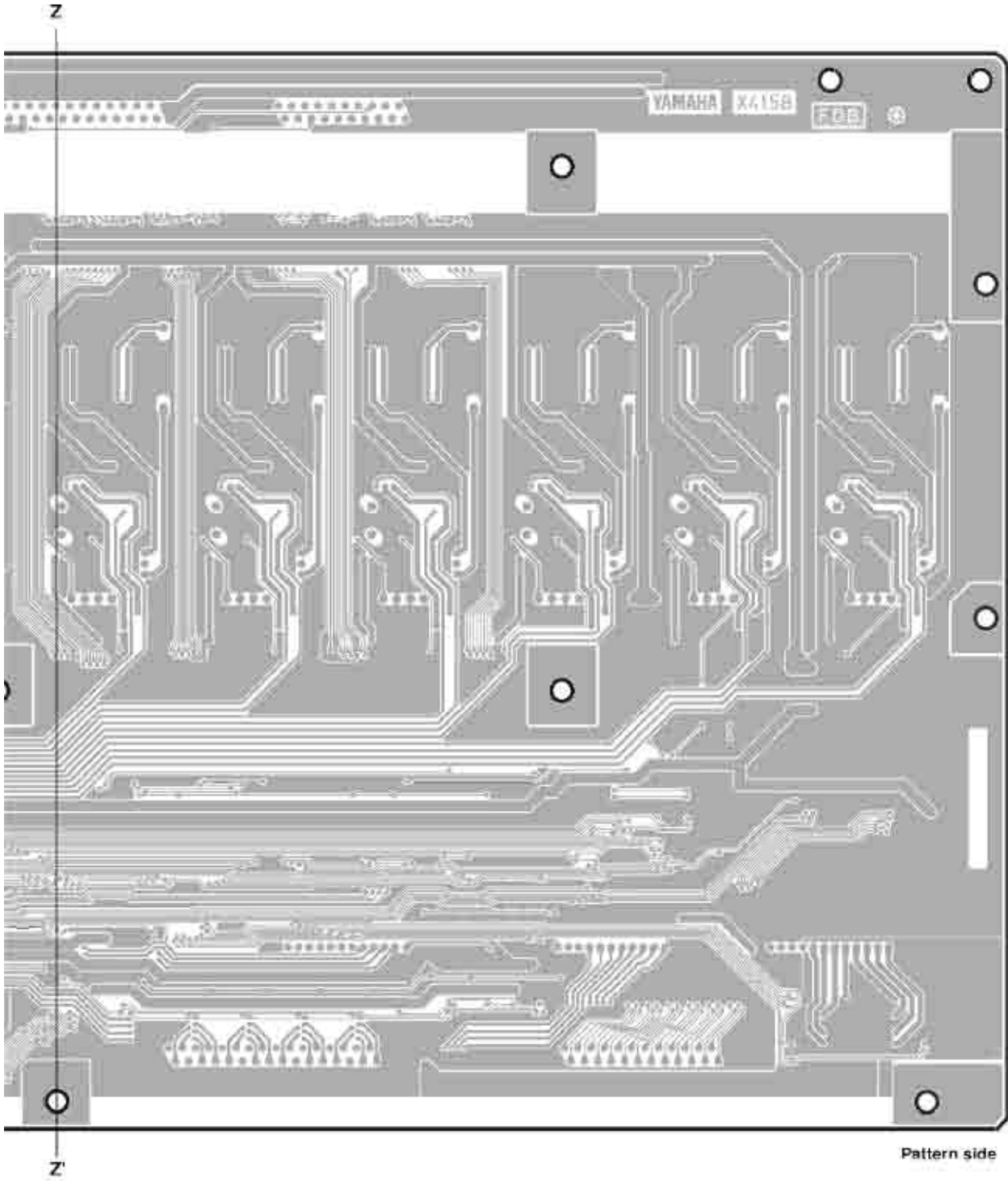
● FDB Circuit Board



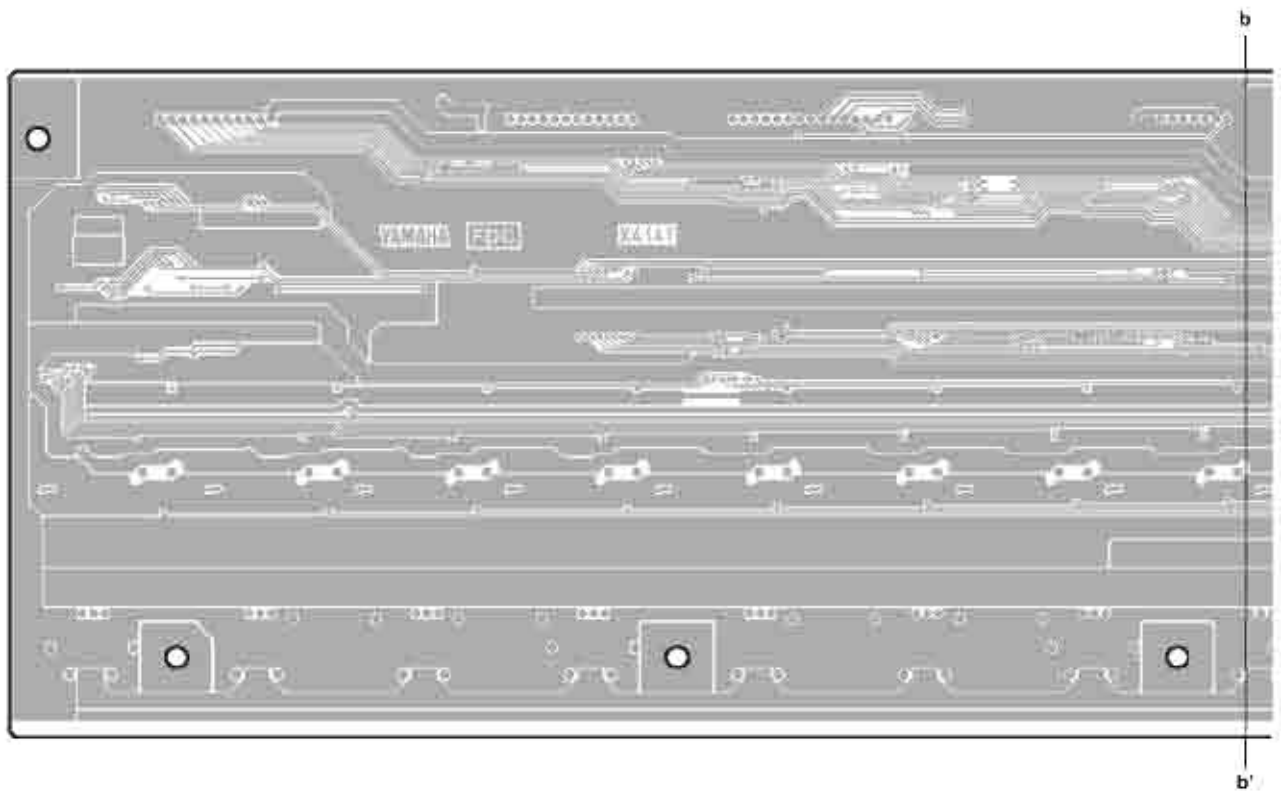
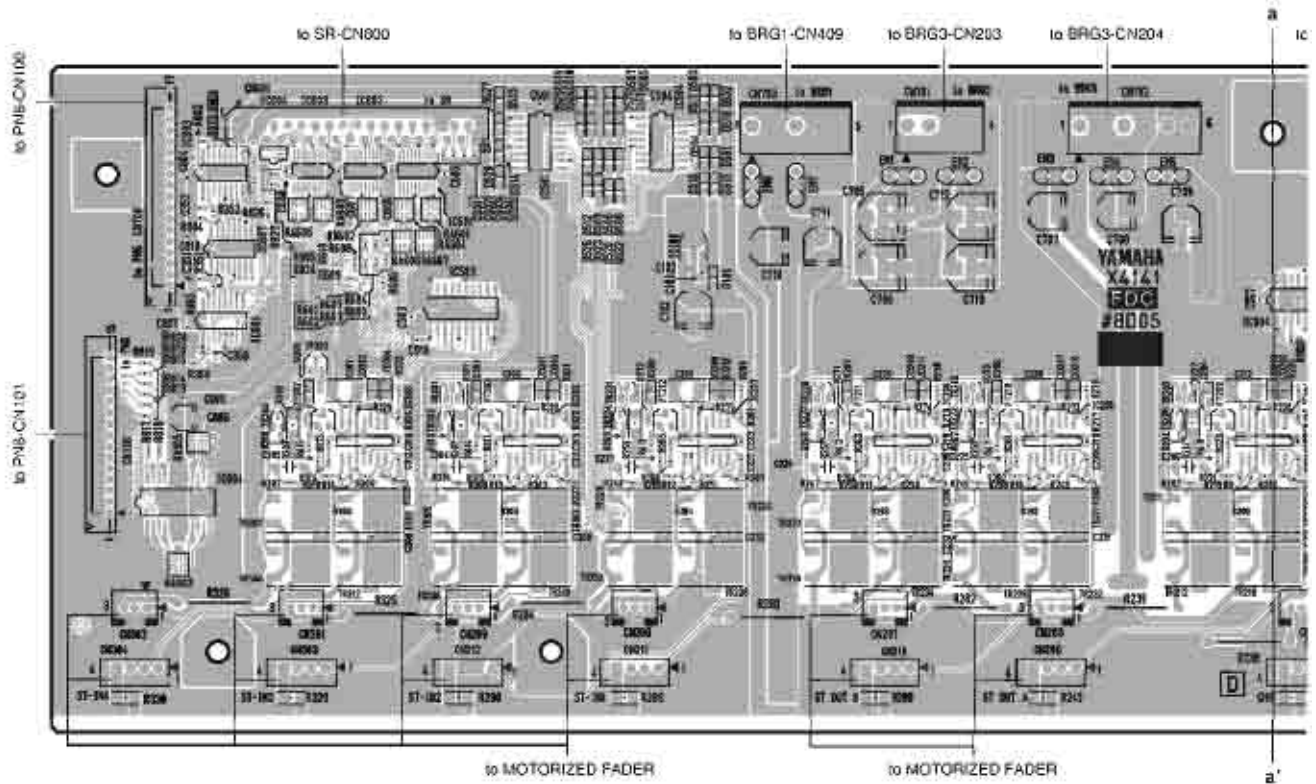


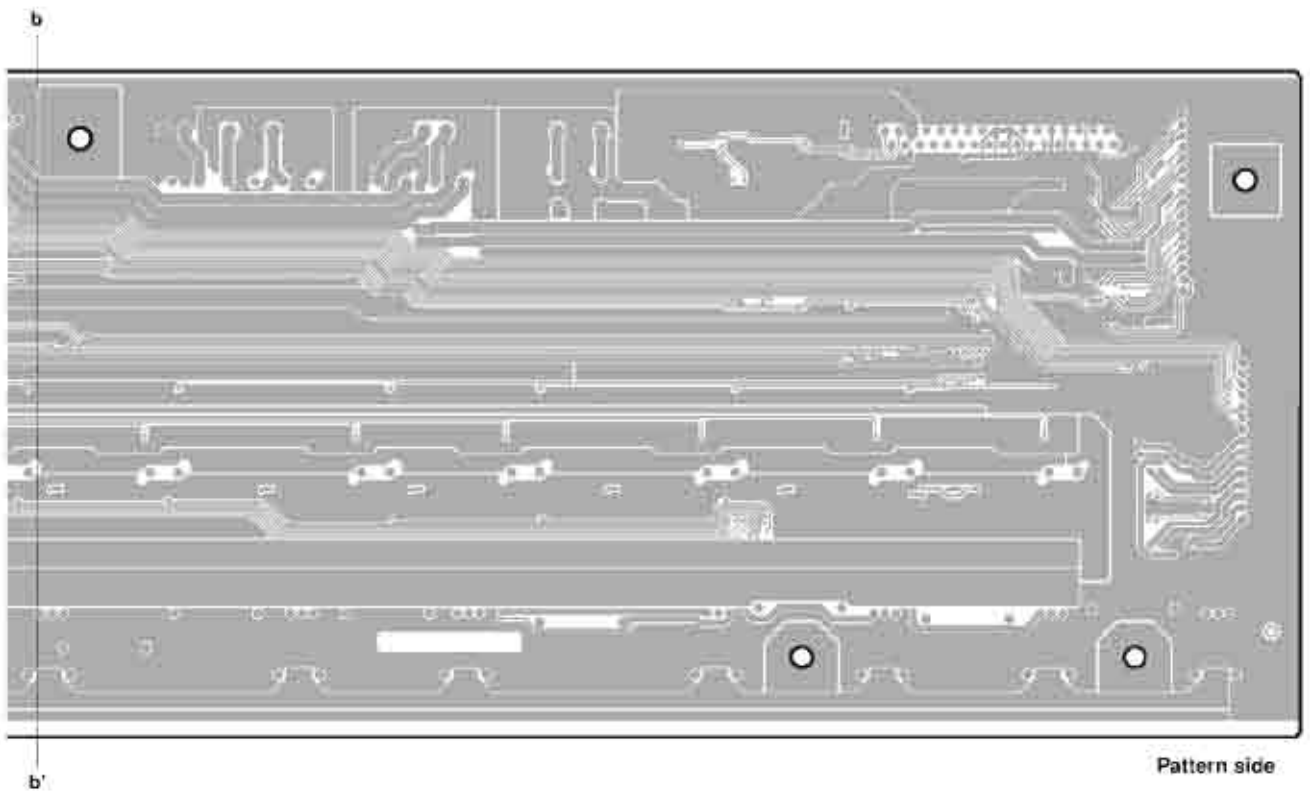
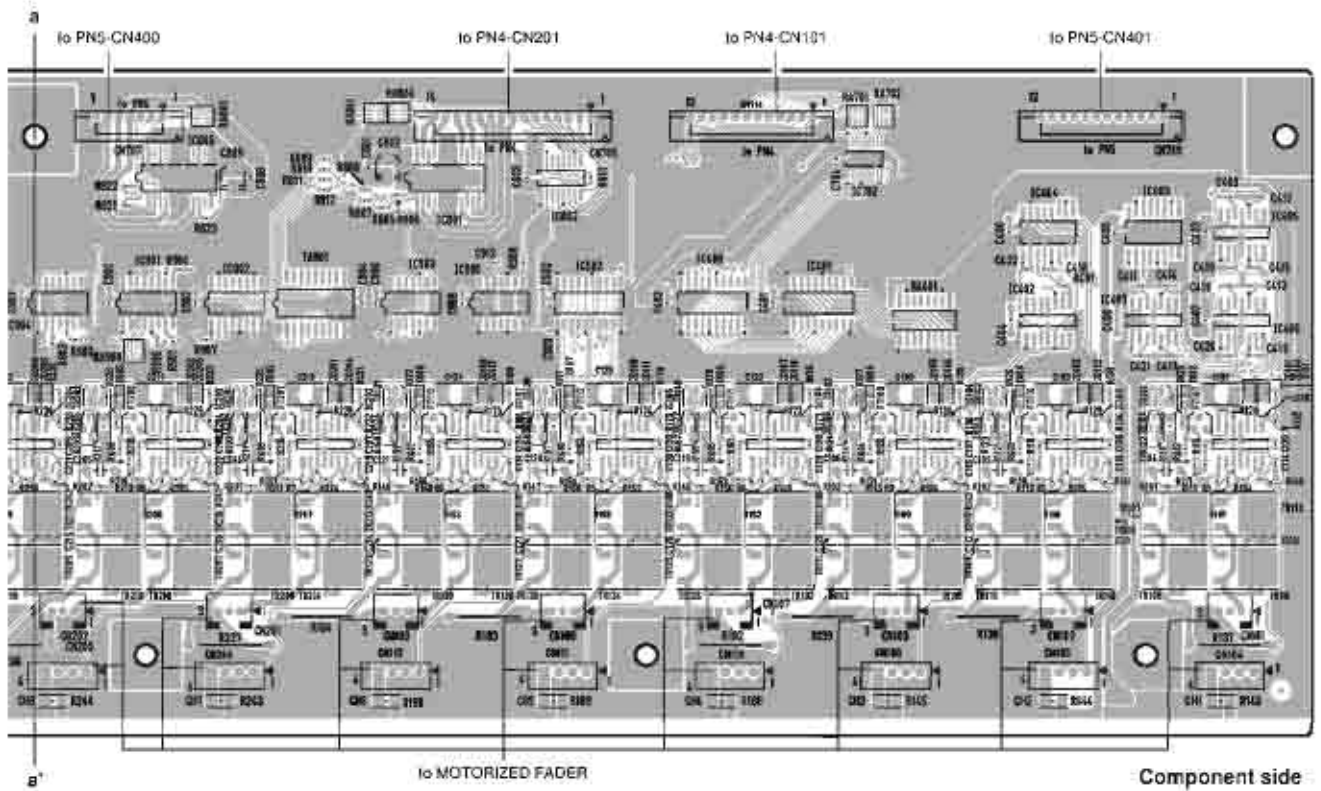
● FDB Circuit Board



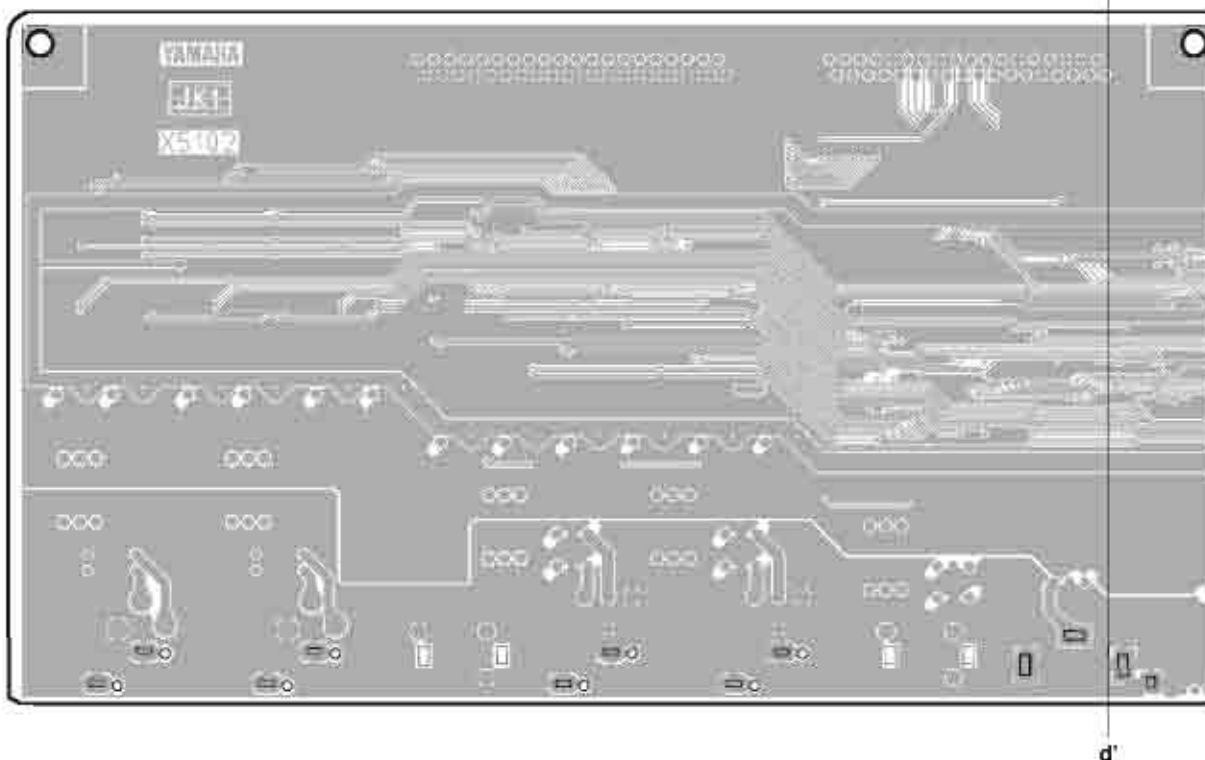
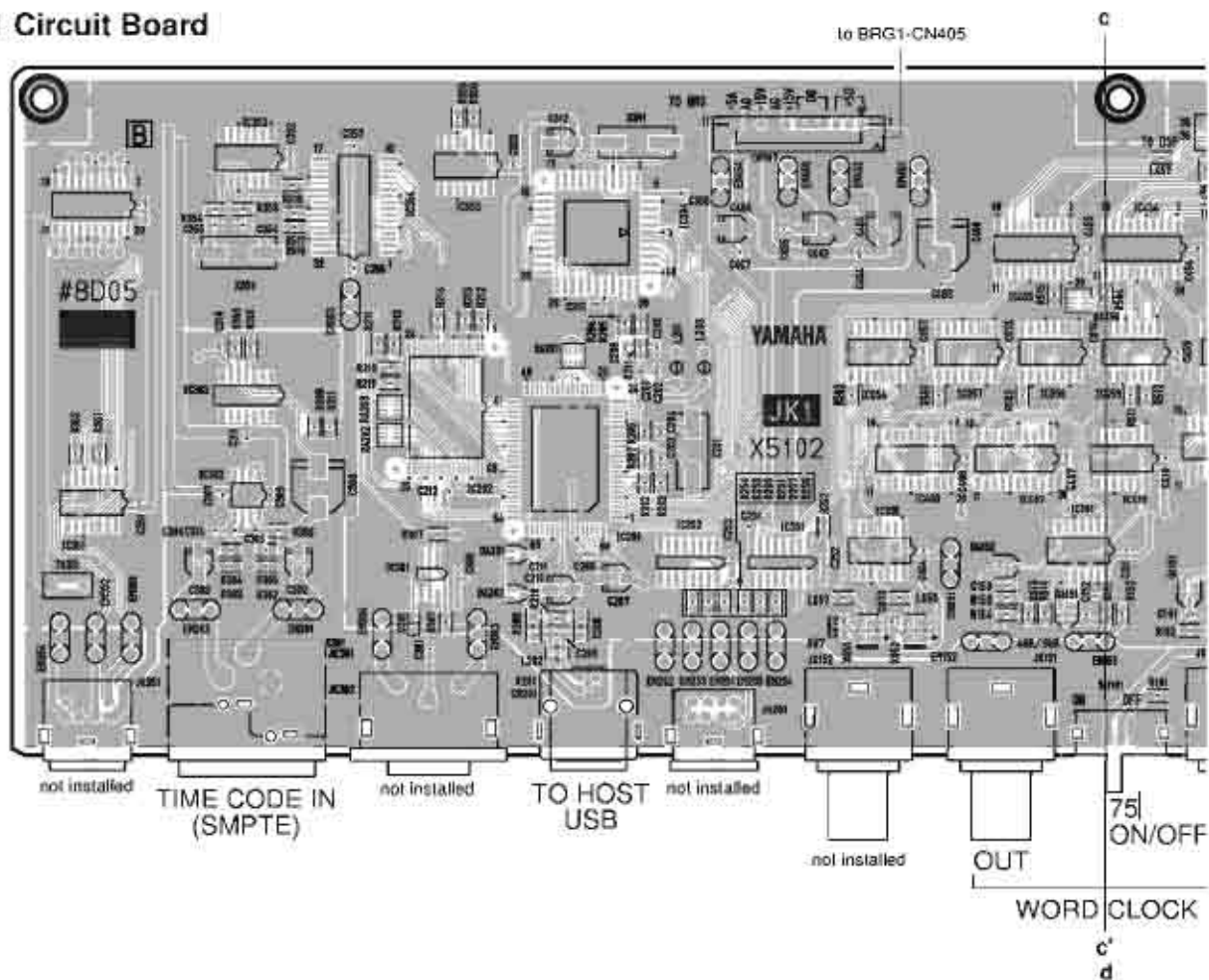


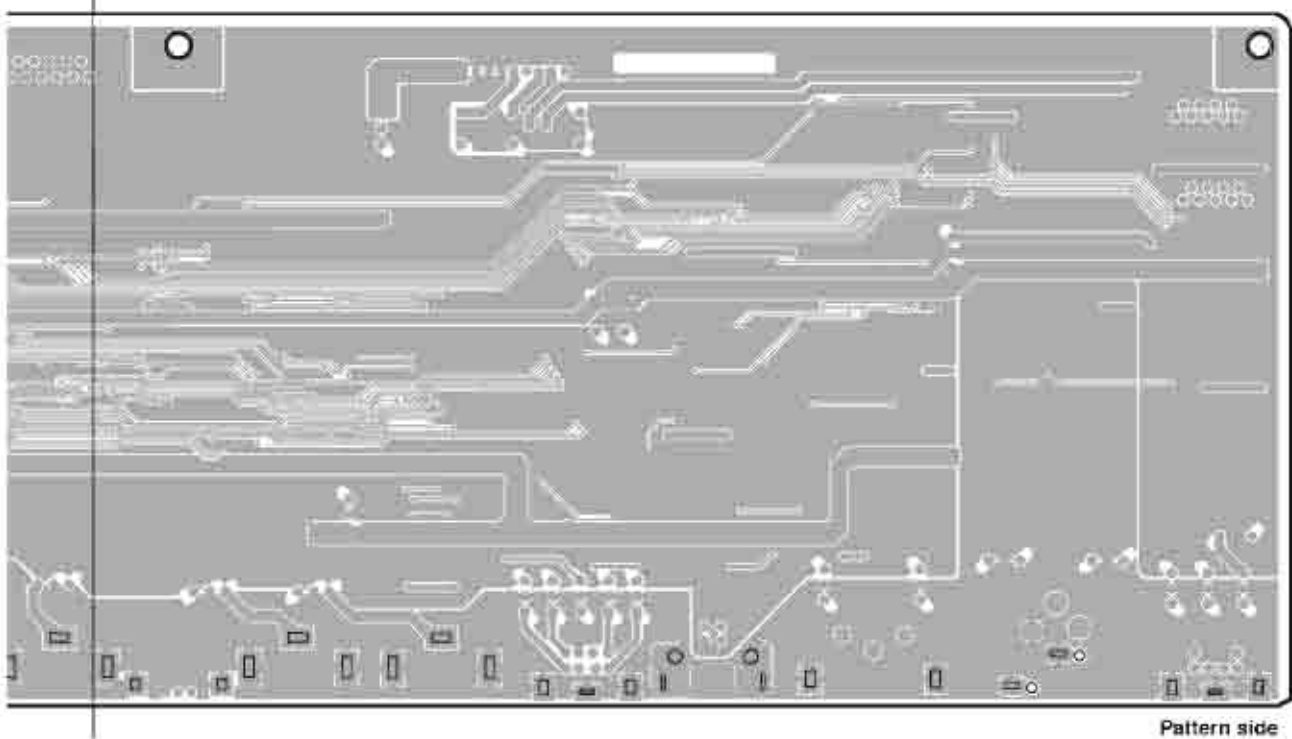
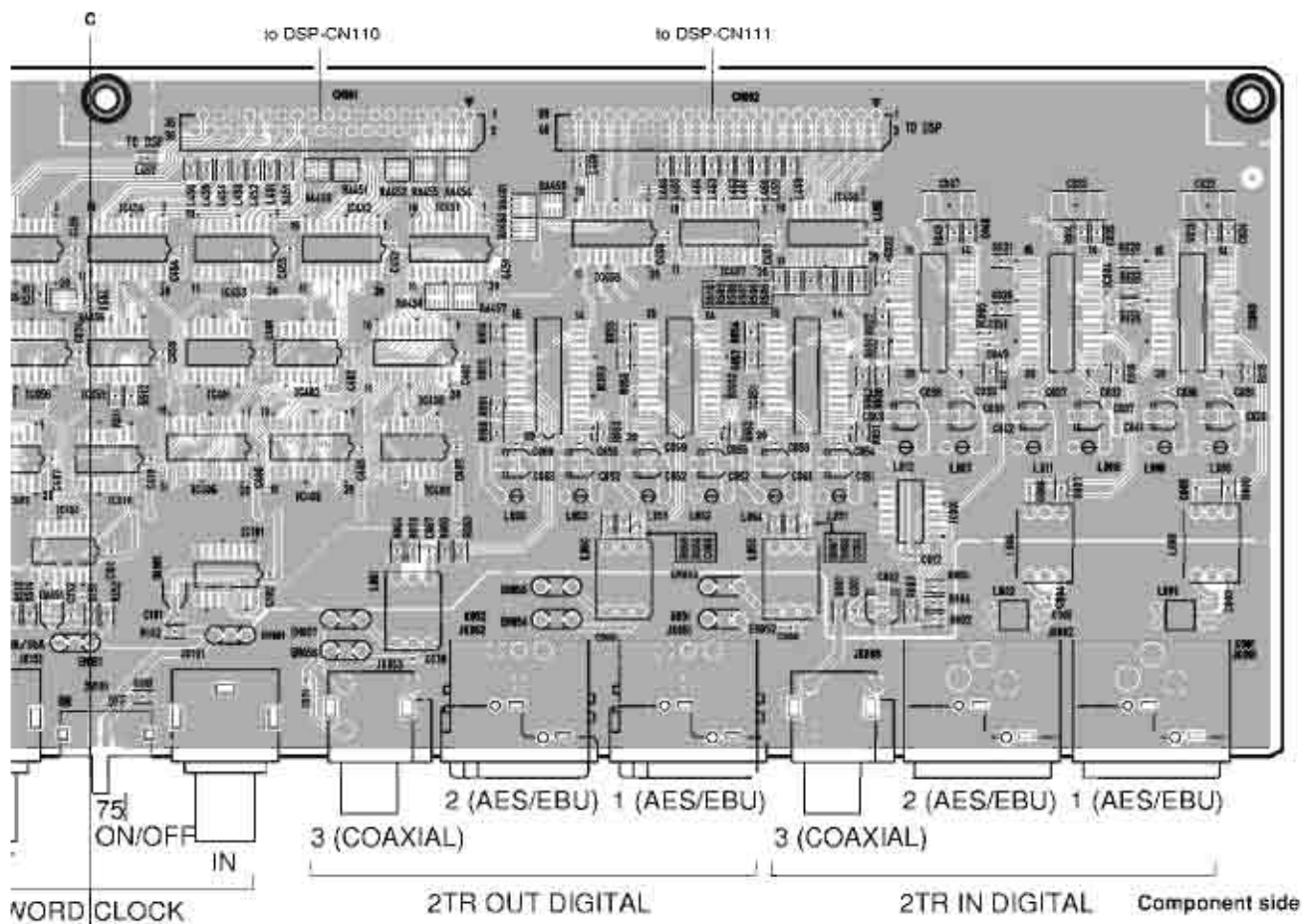
● FDC Circuit Board



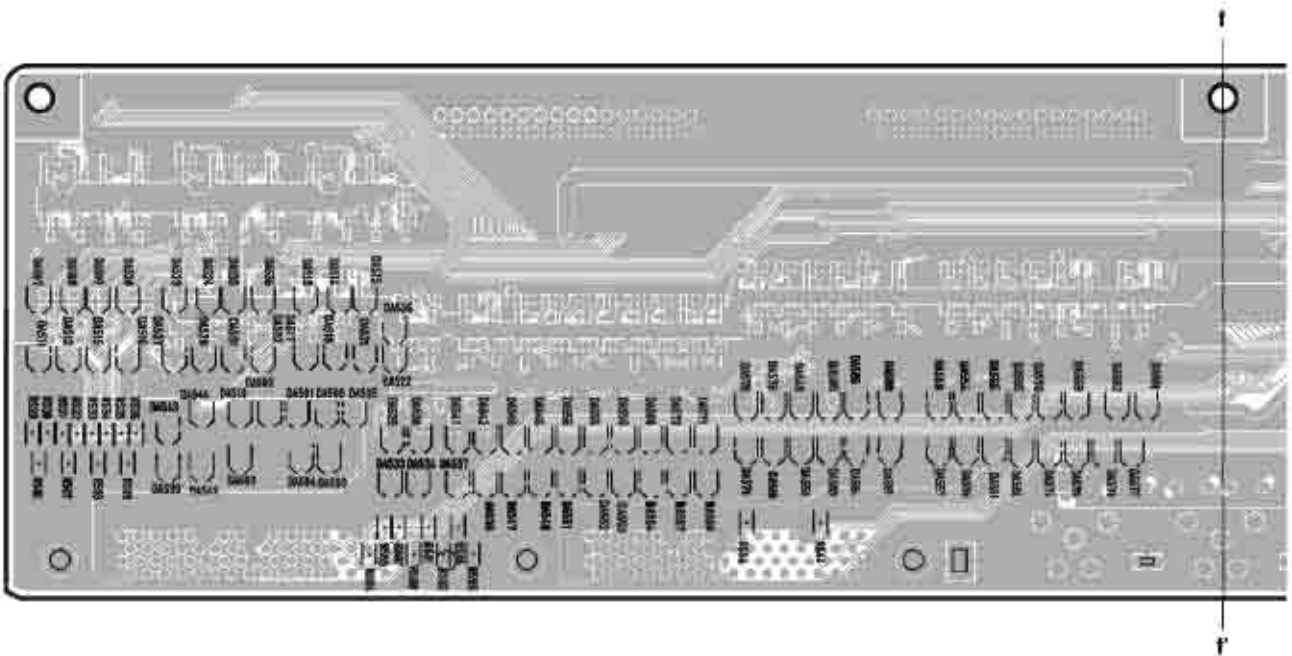
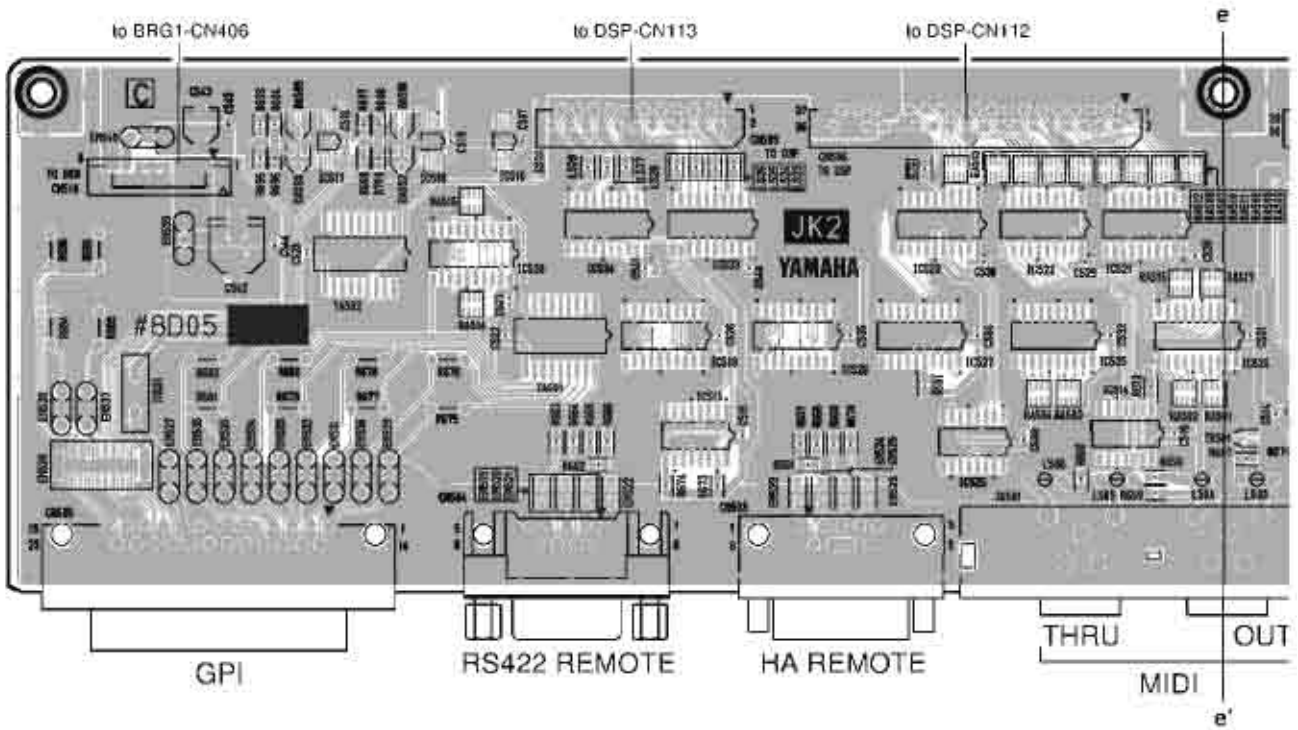


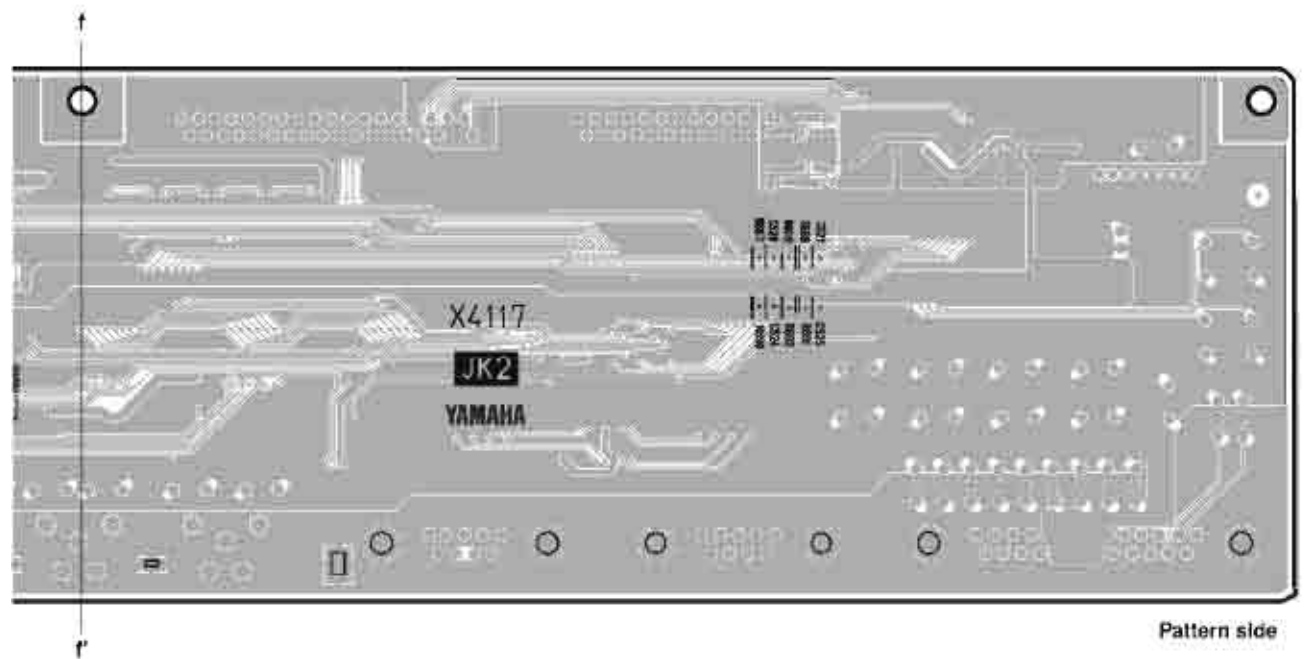
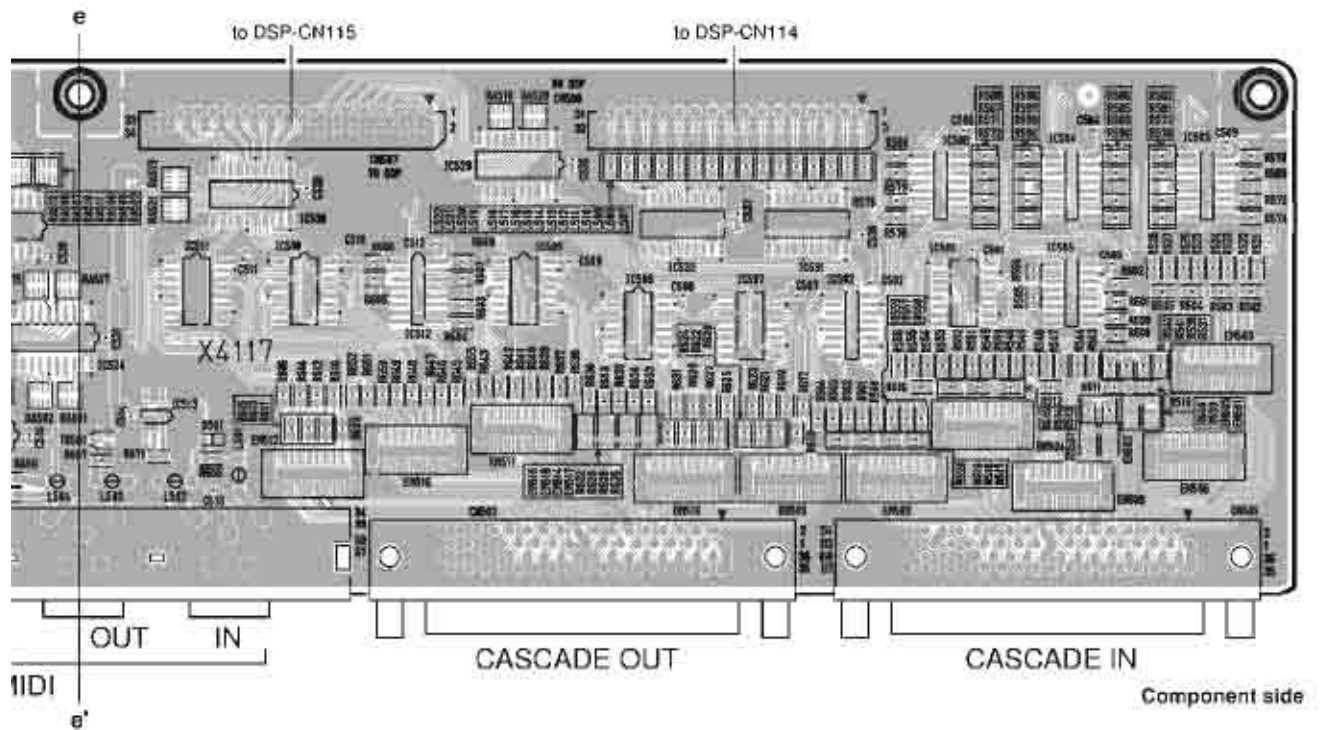
● JK1 Circuit Board



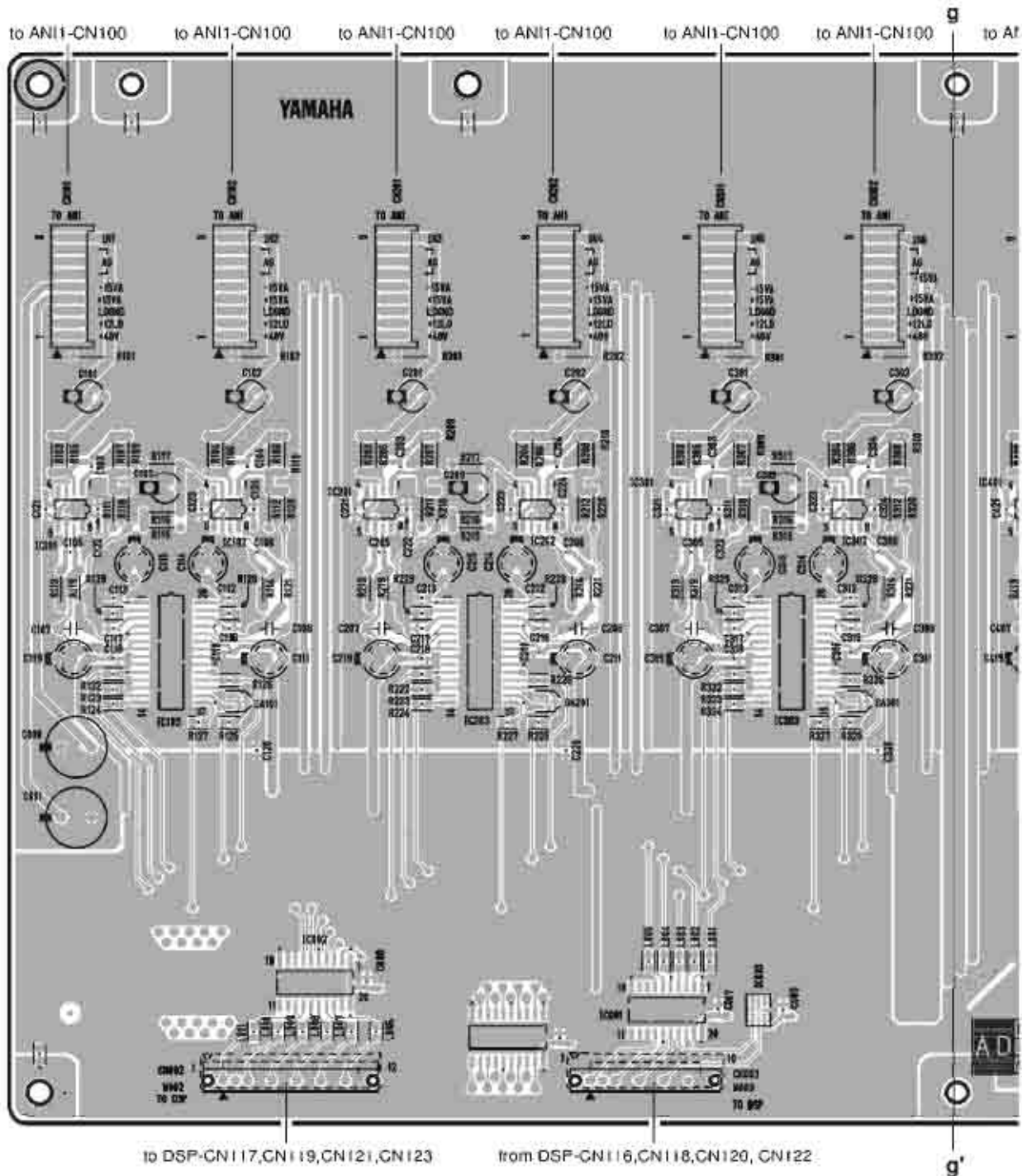


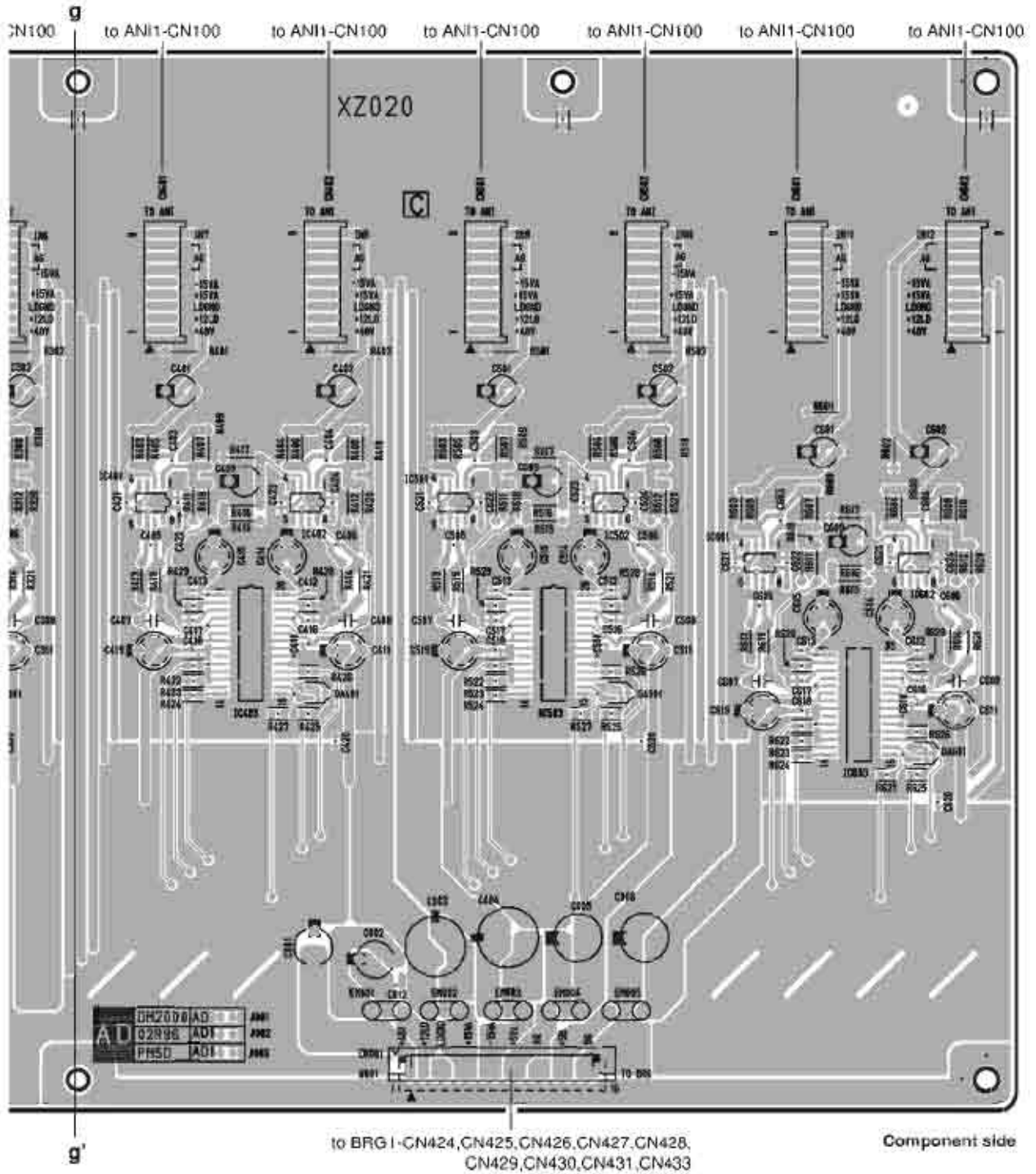
● JK2 Circuit Board



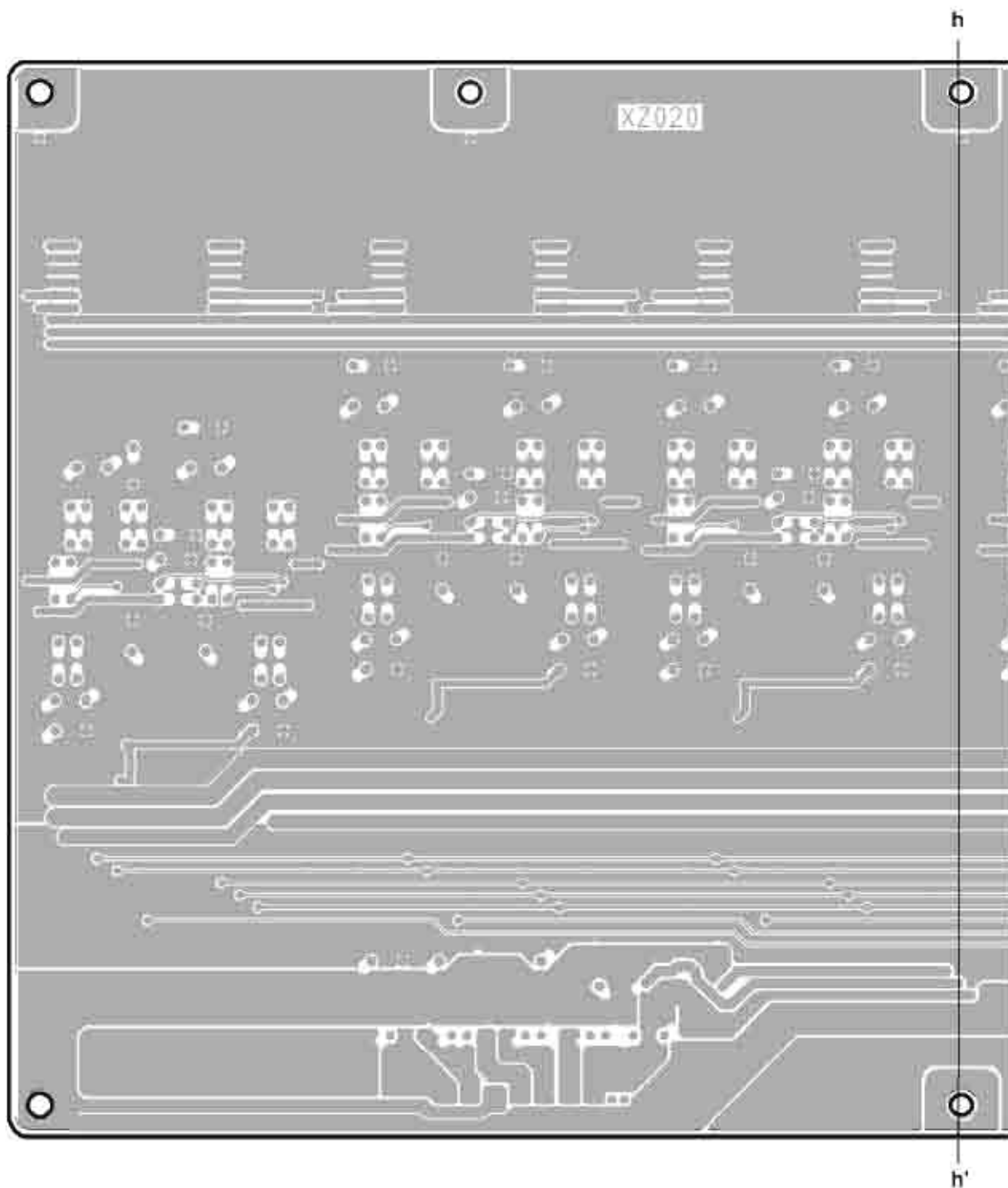


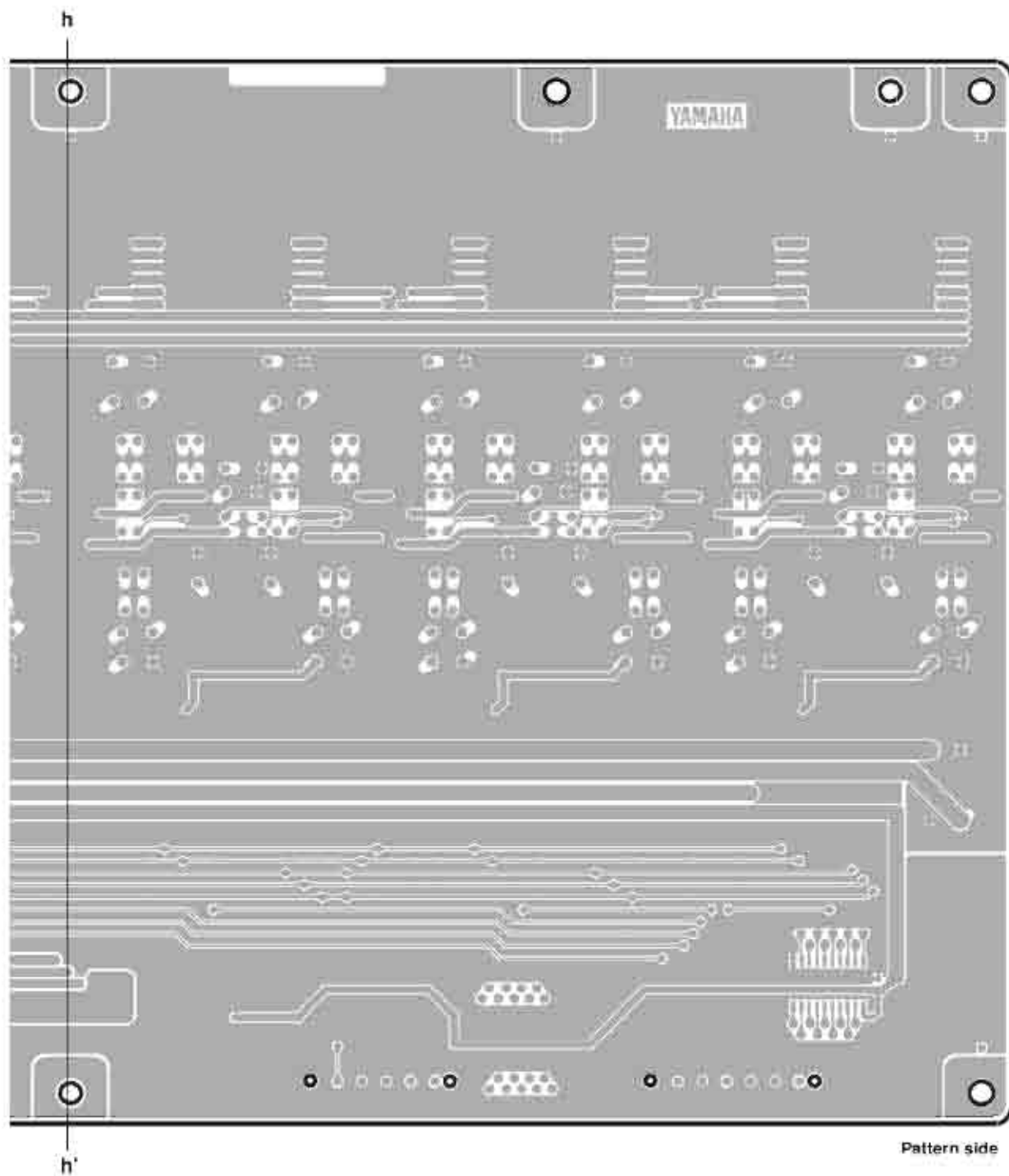
● AD1 Circuit Board



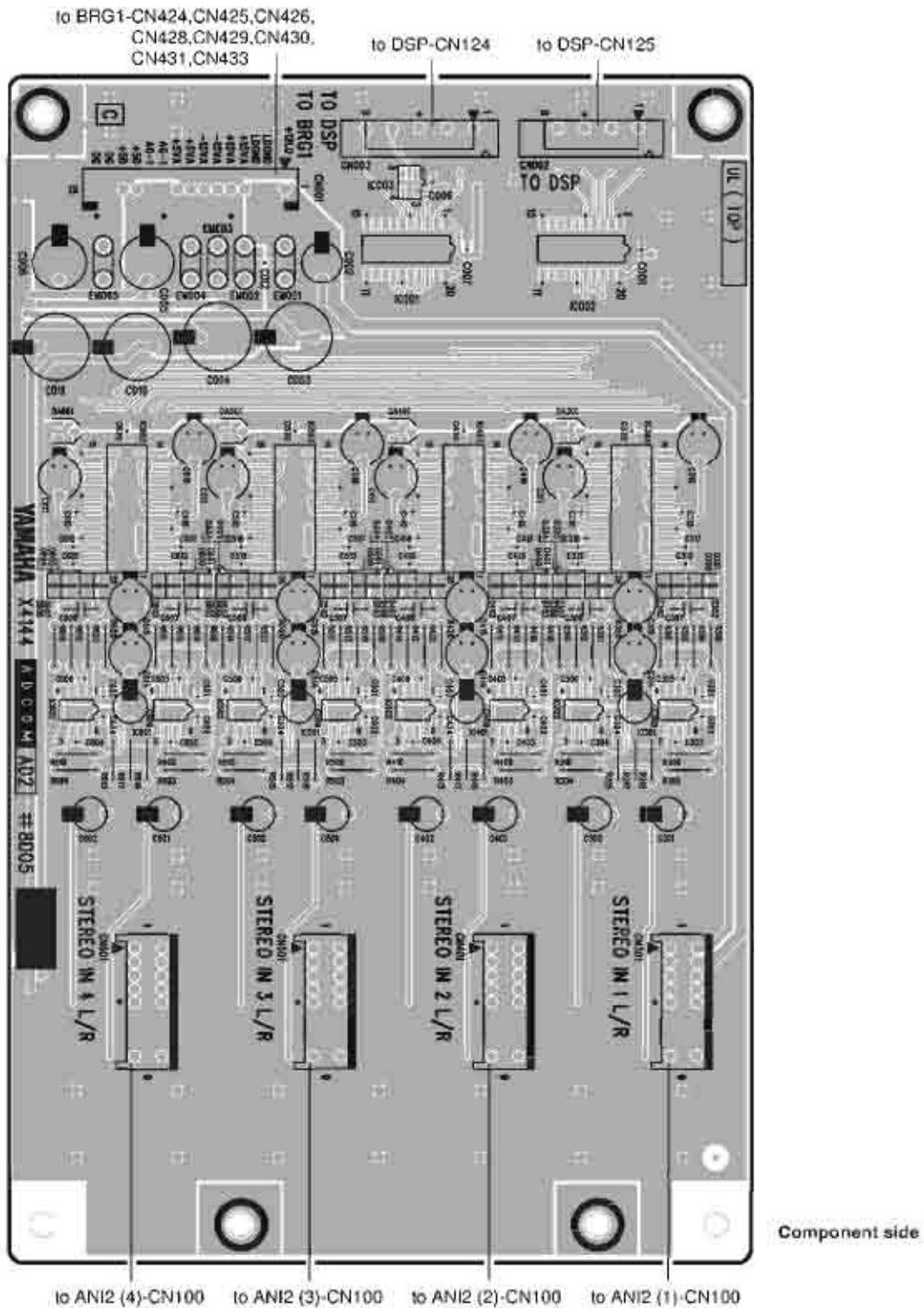


● AD1 Circuit Board

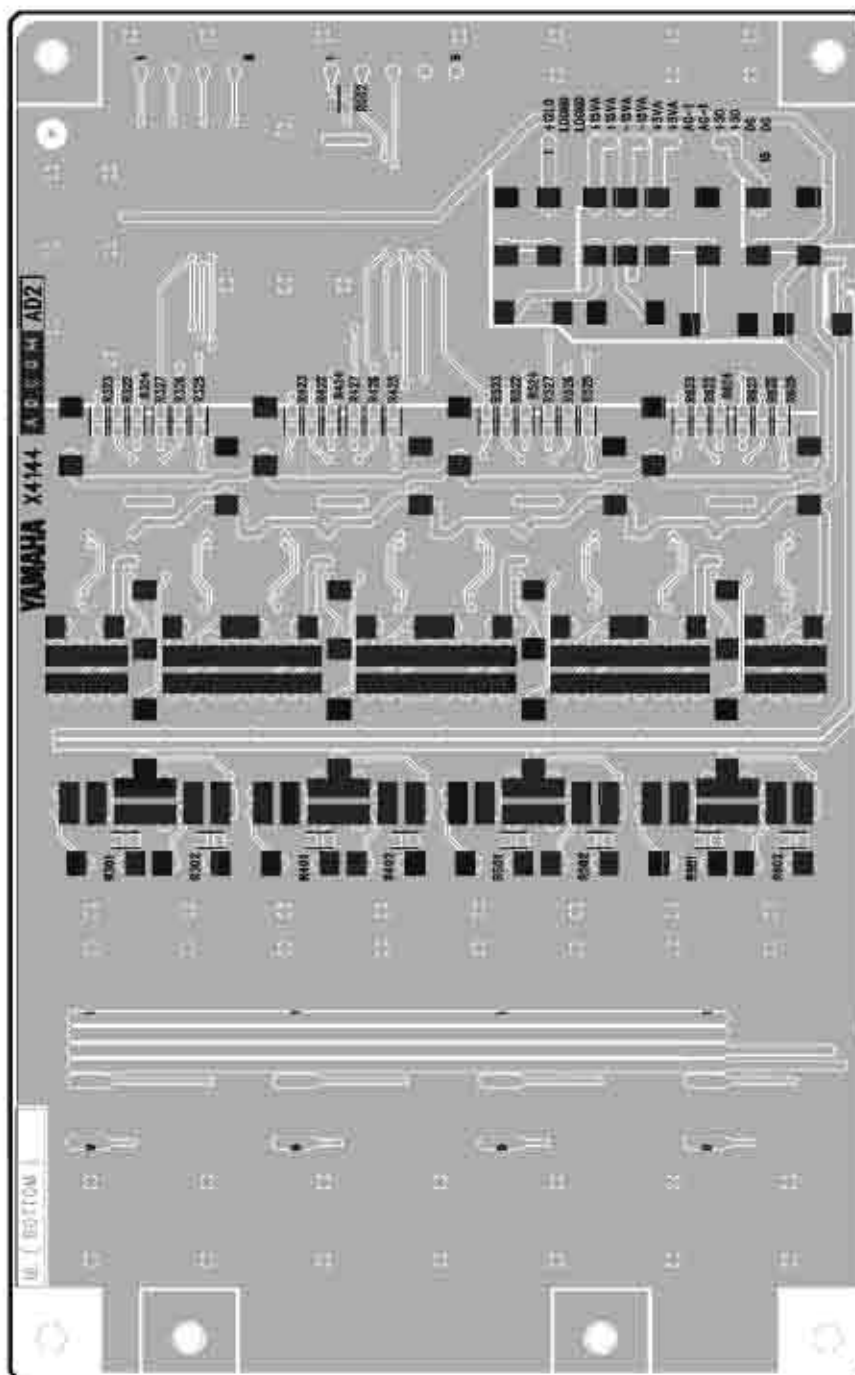




● AD2 Circuit Board

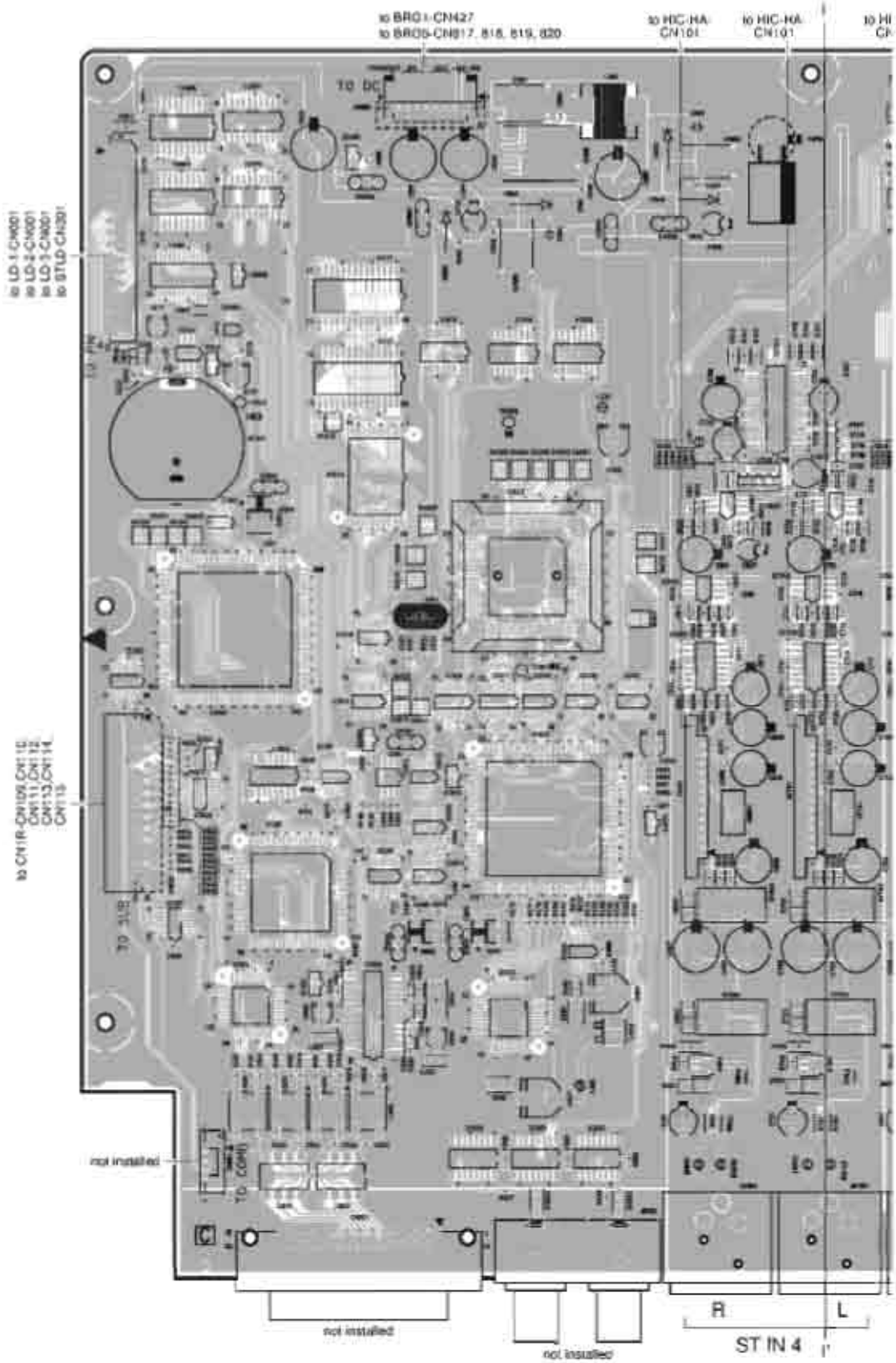


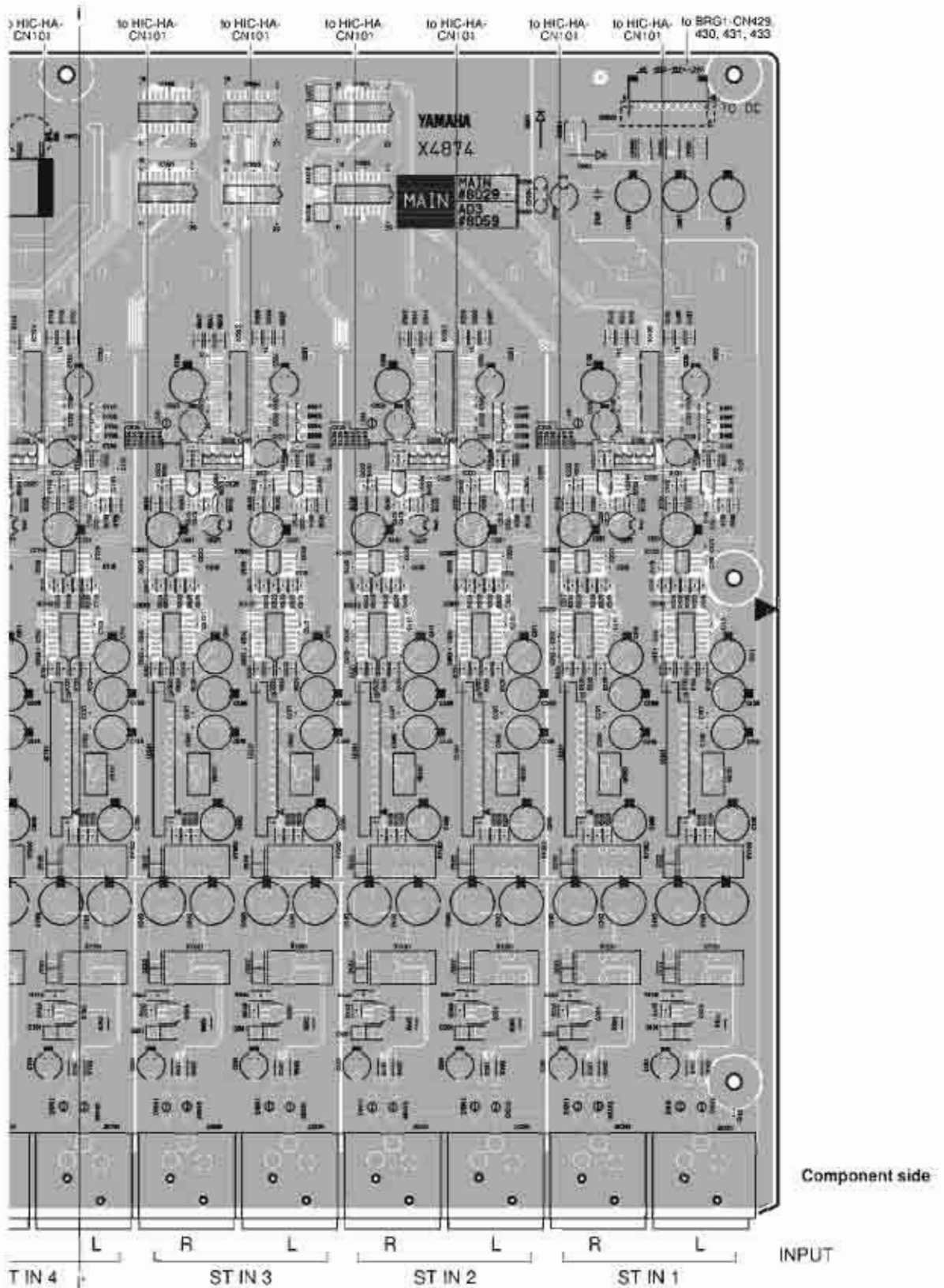
● AD2 Circuit Board



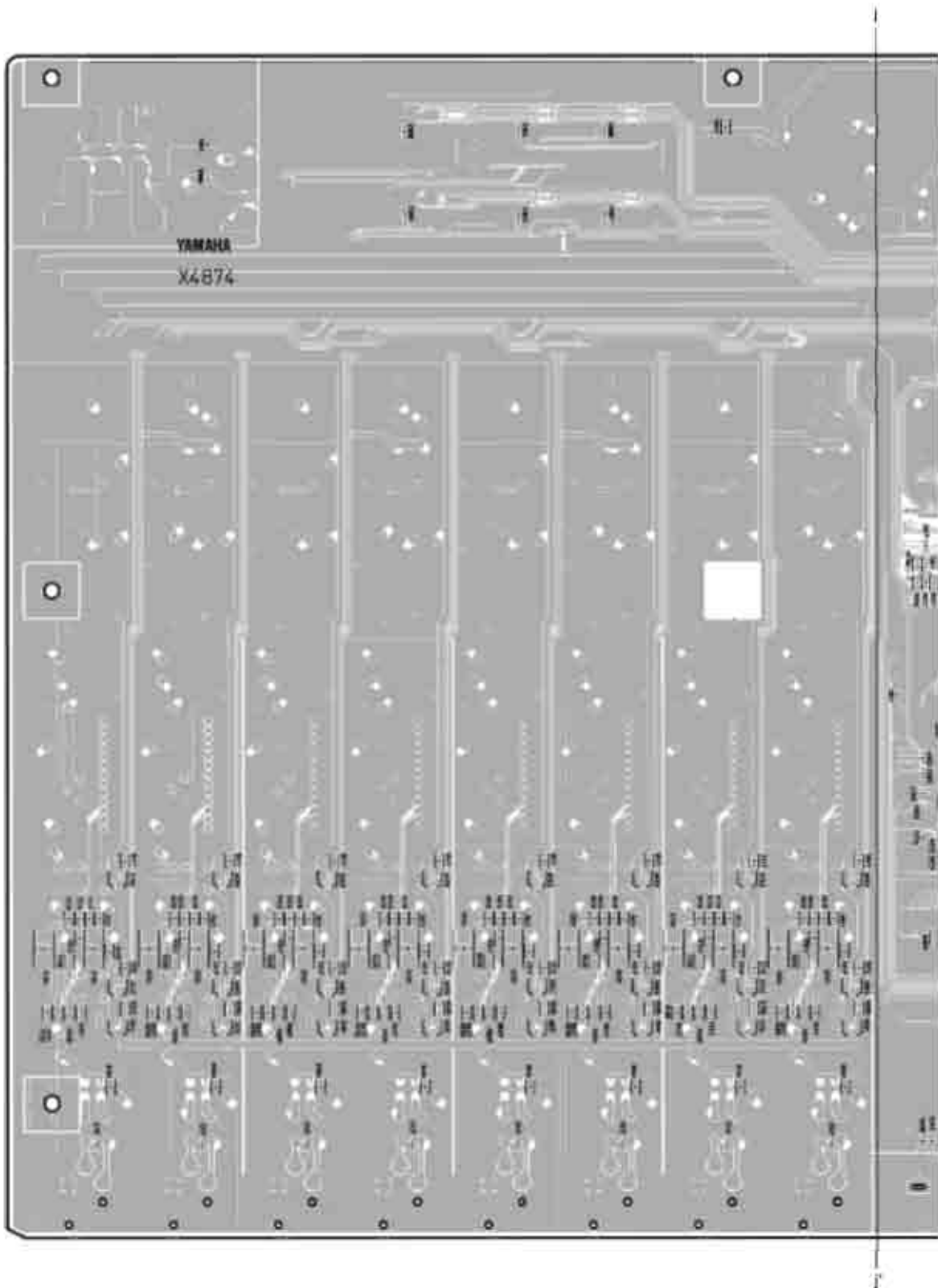
Pattern side

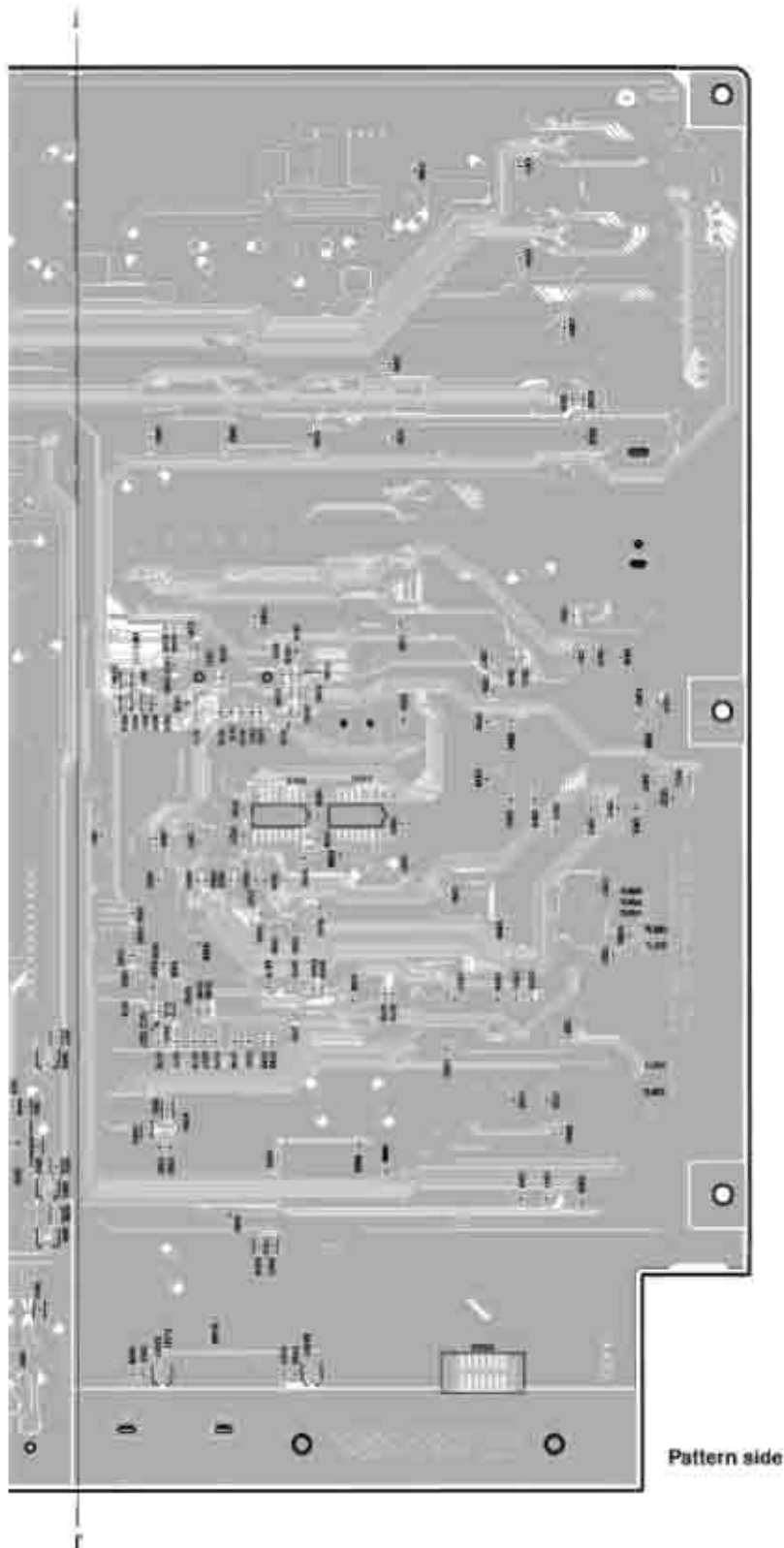
● AD3 Circuit Board



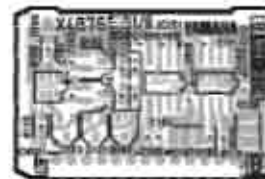


● AD3 Circuit Board

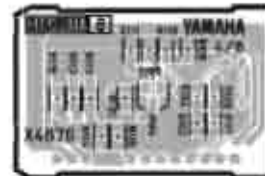





● HIC-HA Circuit Board

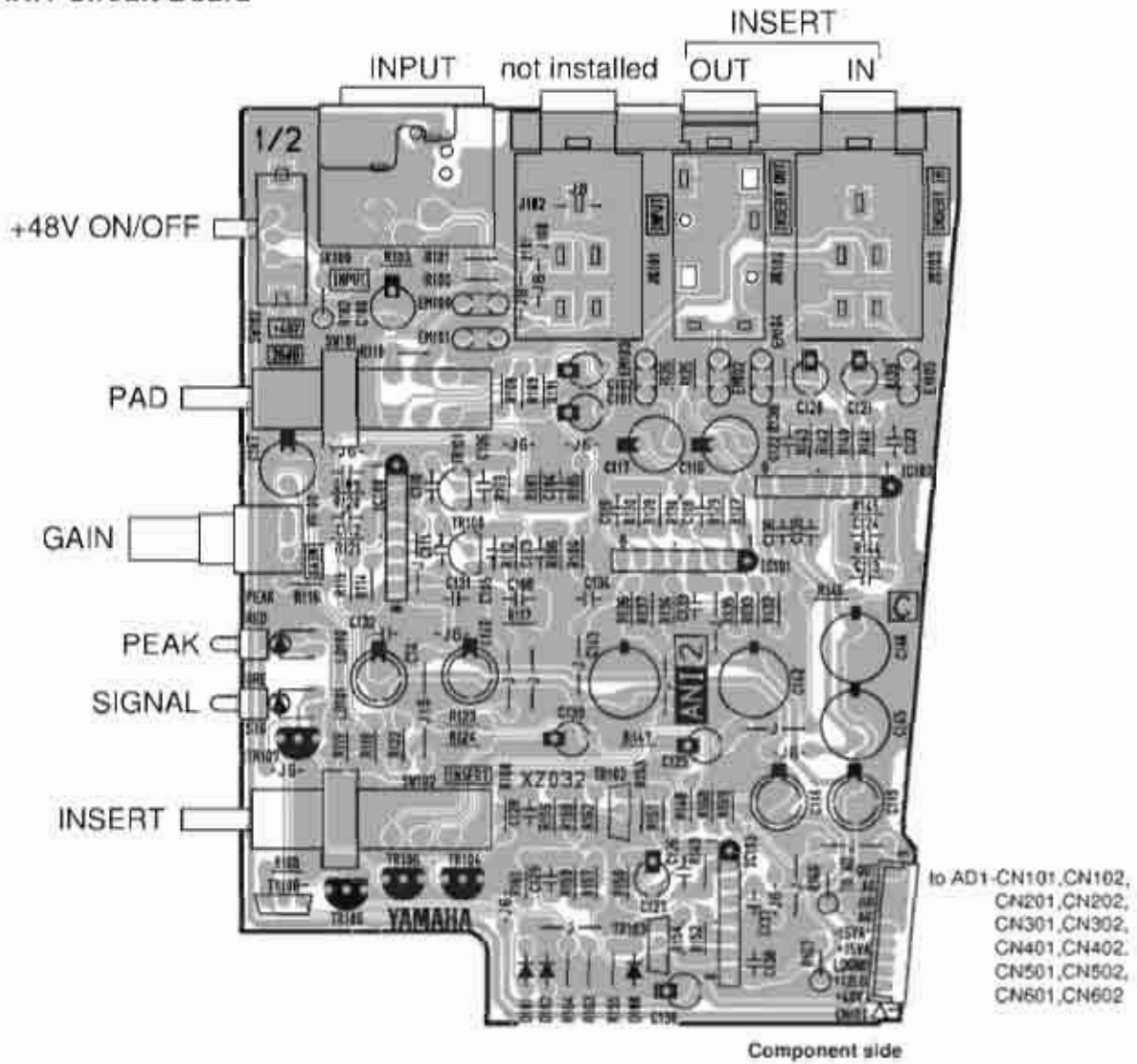


to AD3-IC101, 201, 301,
401, 501, 601, 701, 801

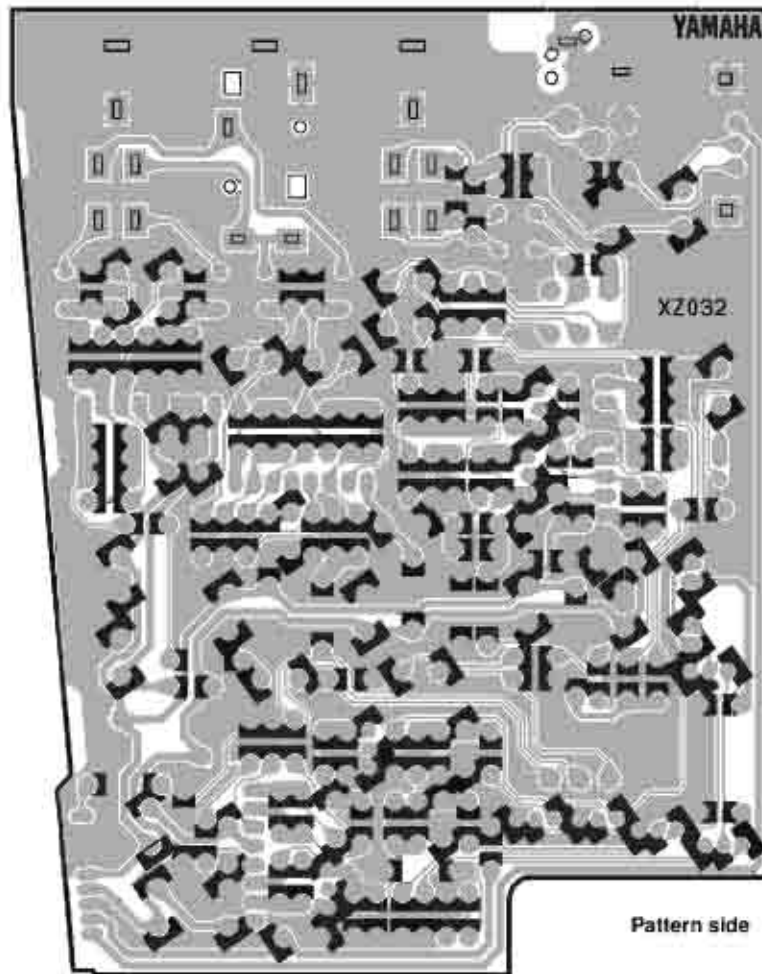


AD3: 2NAP-WC22220-1 
HIC-HA: 2NAP-WC06320-1

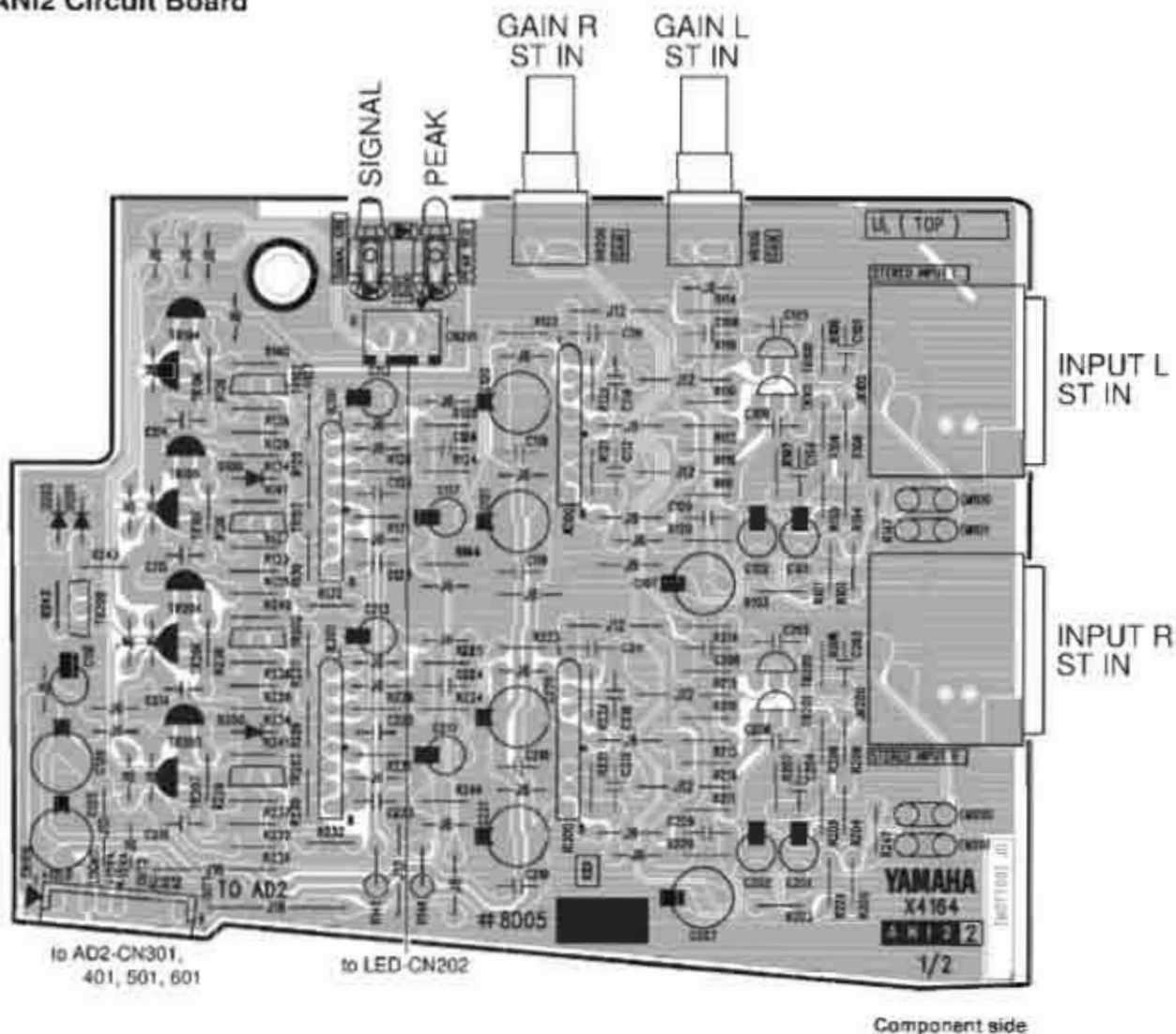
● ANI1 Circuit Board



● ANI1 Circuit Board

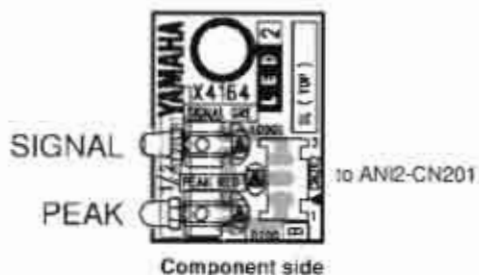


● ANI2 Circuit Board



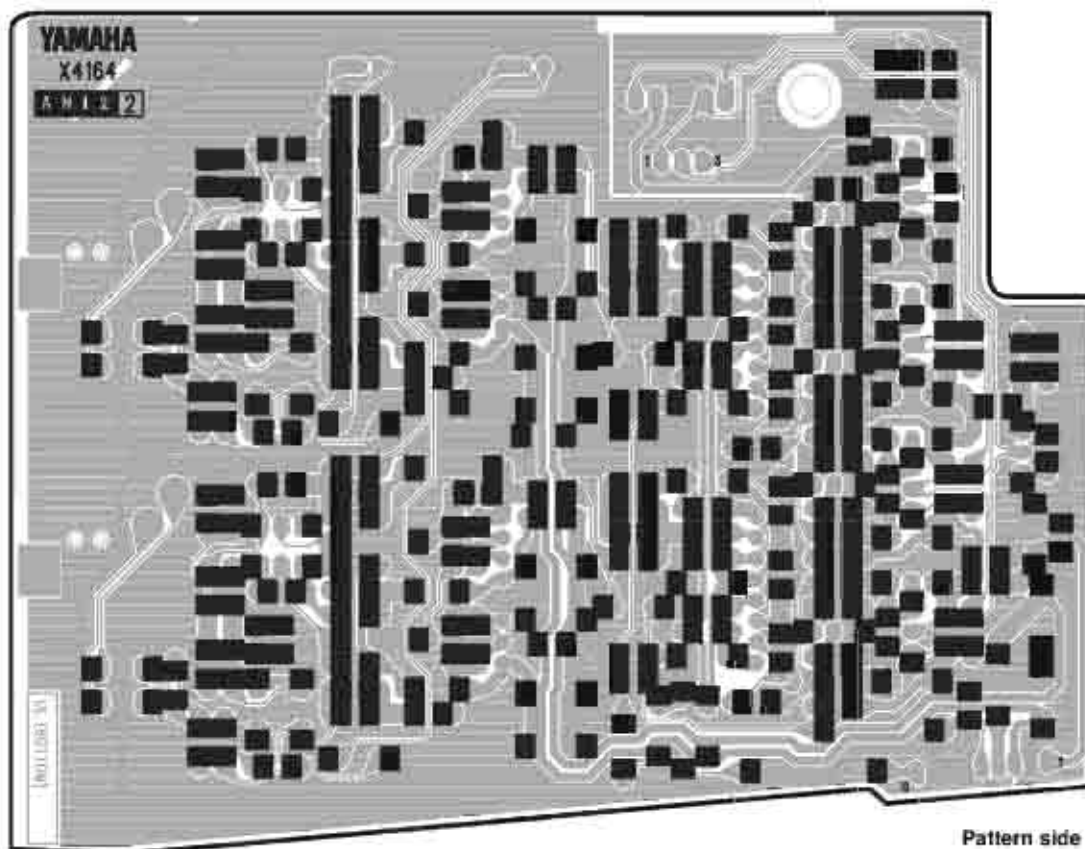
Component side

● LED Circuit Board



Component side

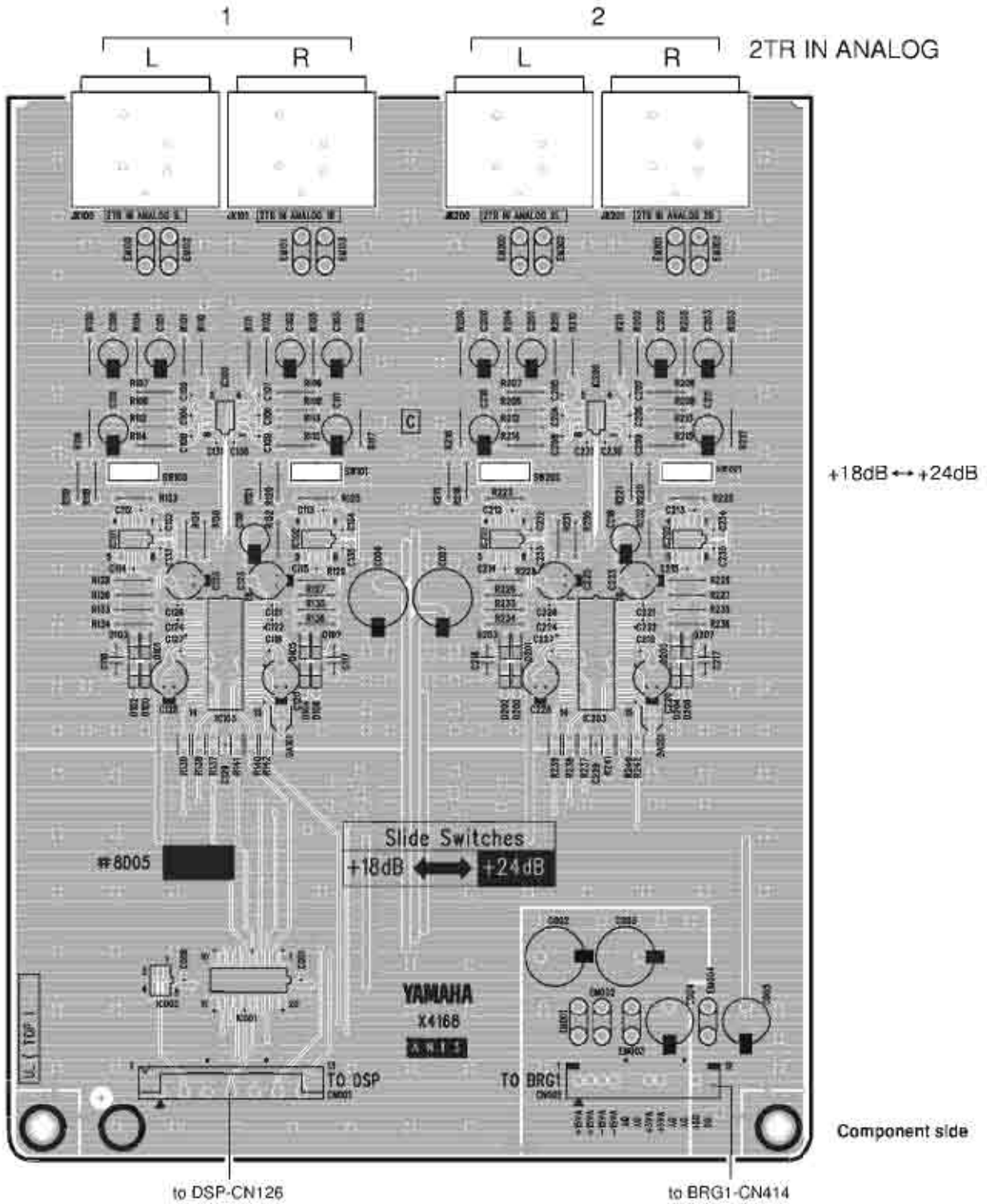
● ANI2 Circuit Board



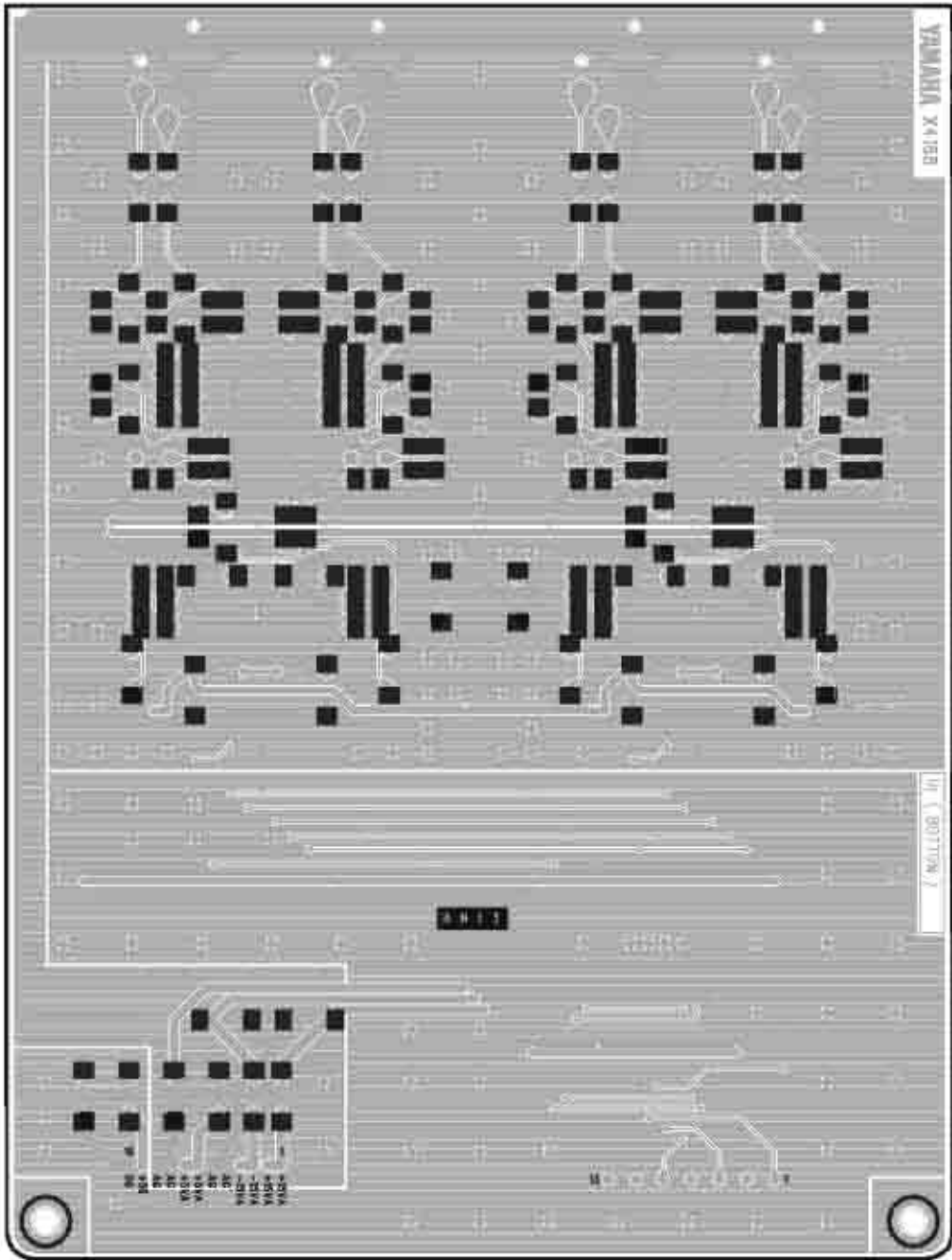
● LED Circuit Board



● ANI3 Circuit Board

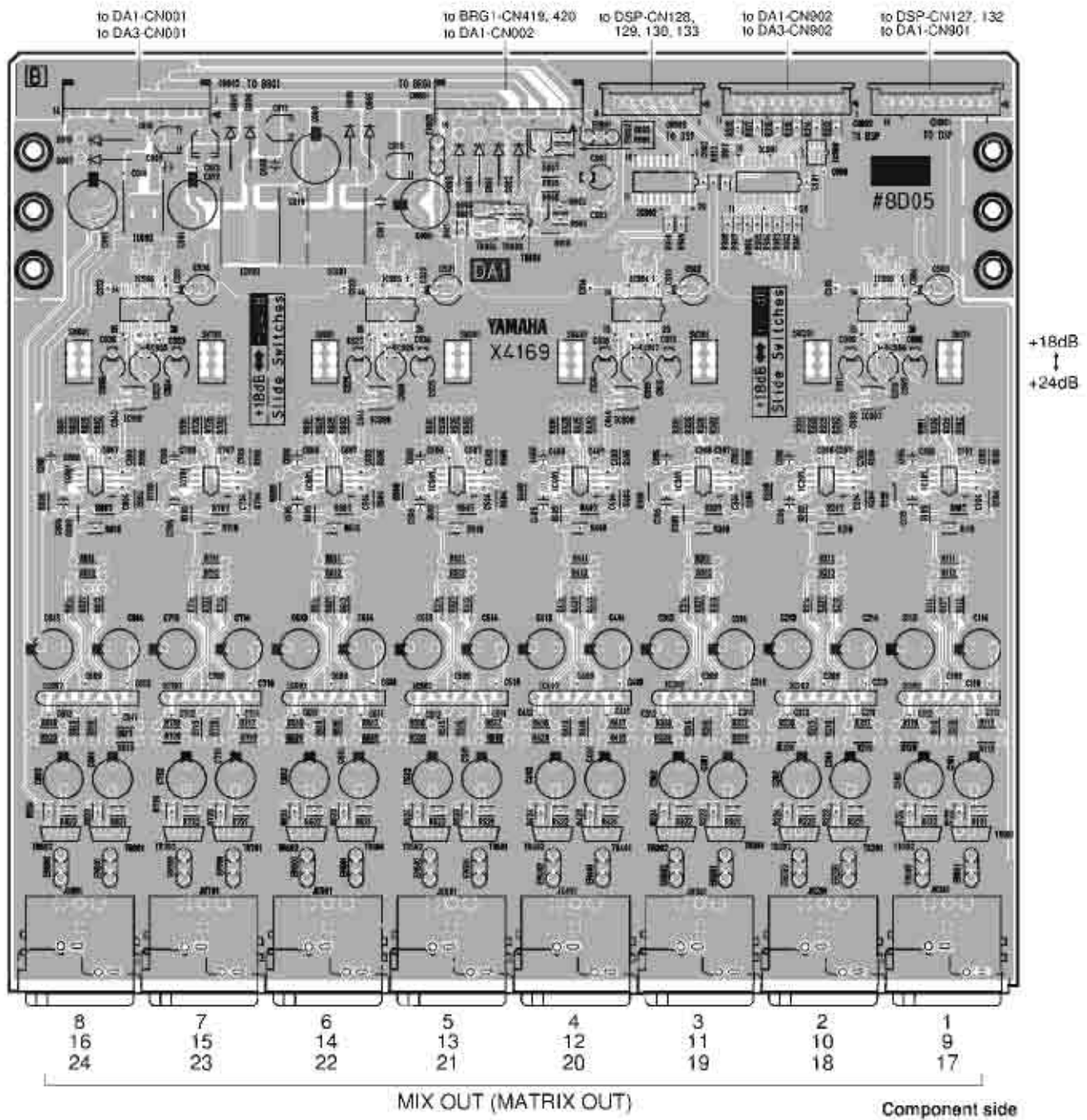


● ANI3 Circuit Board

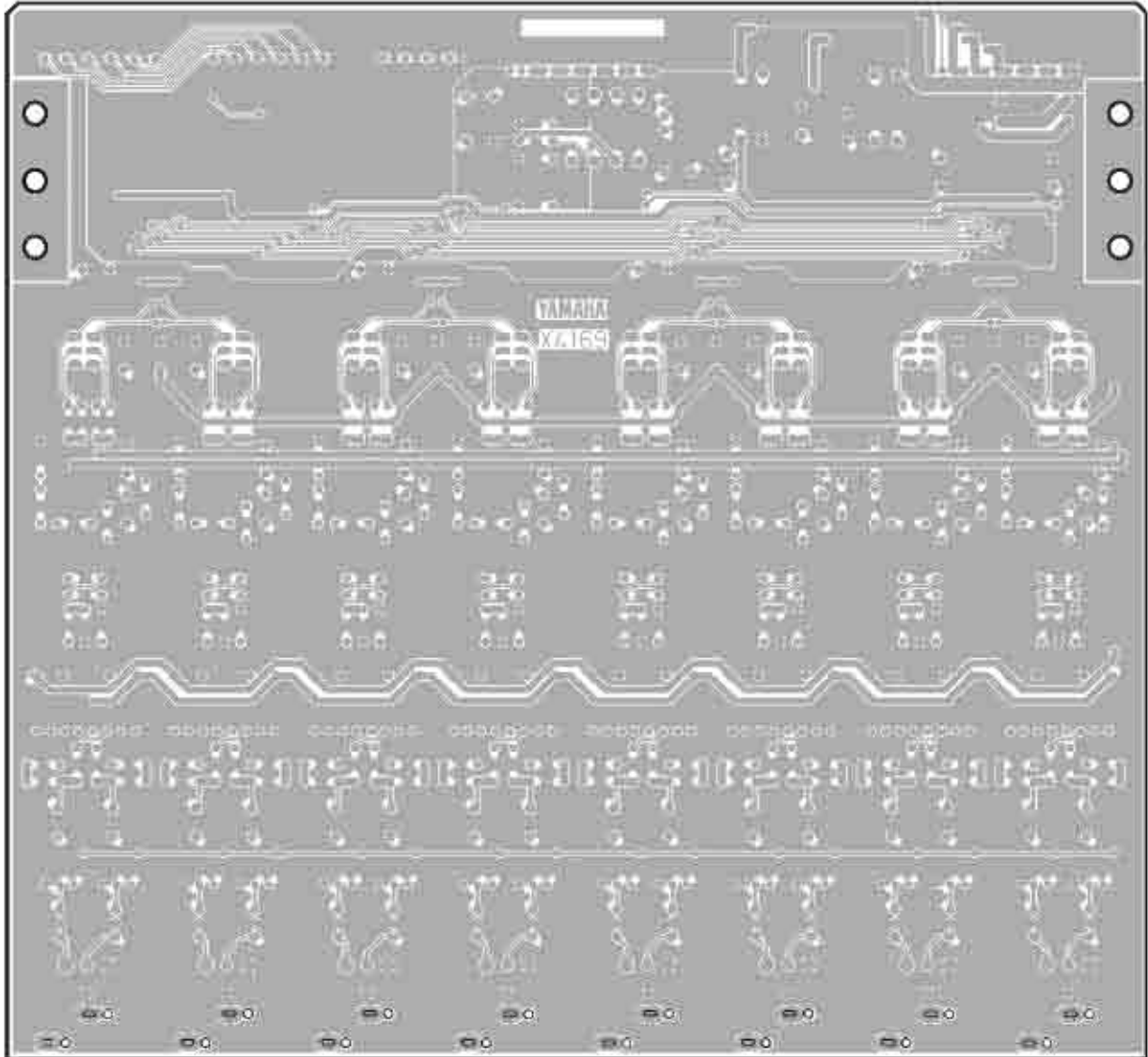


Pattern side

● DA1 Circuit Board

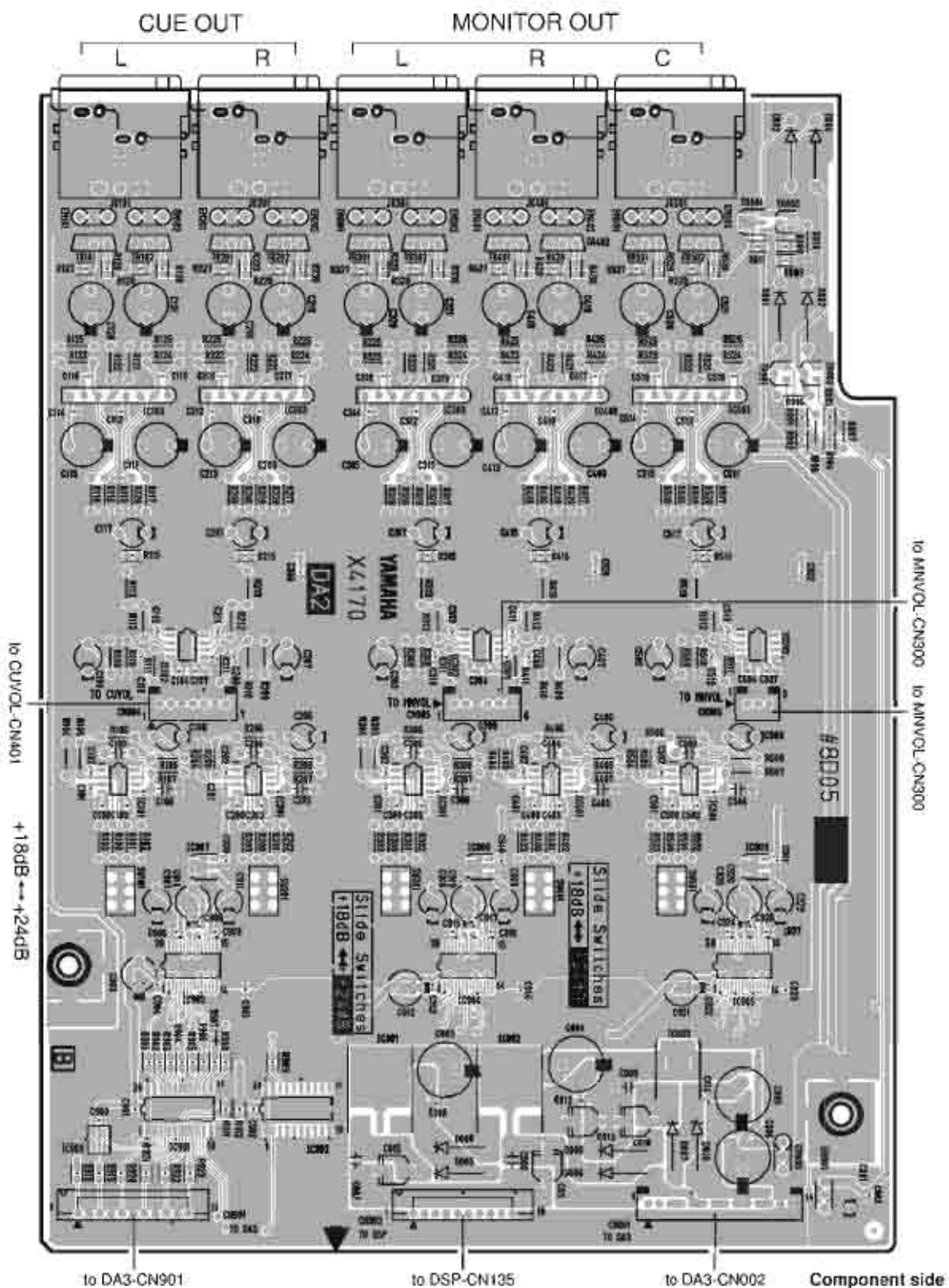


● DA1 Circuit Board

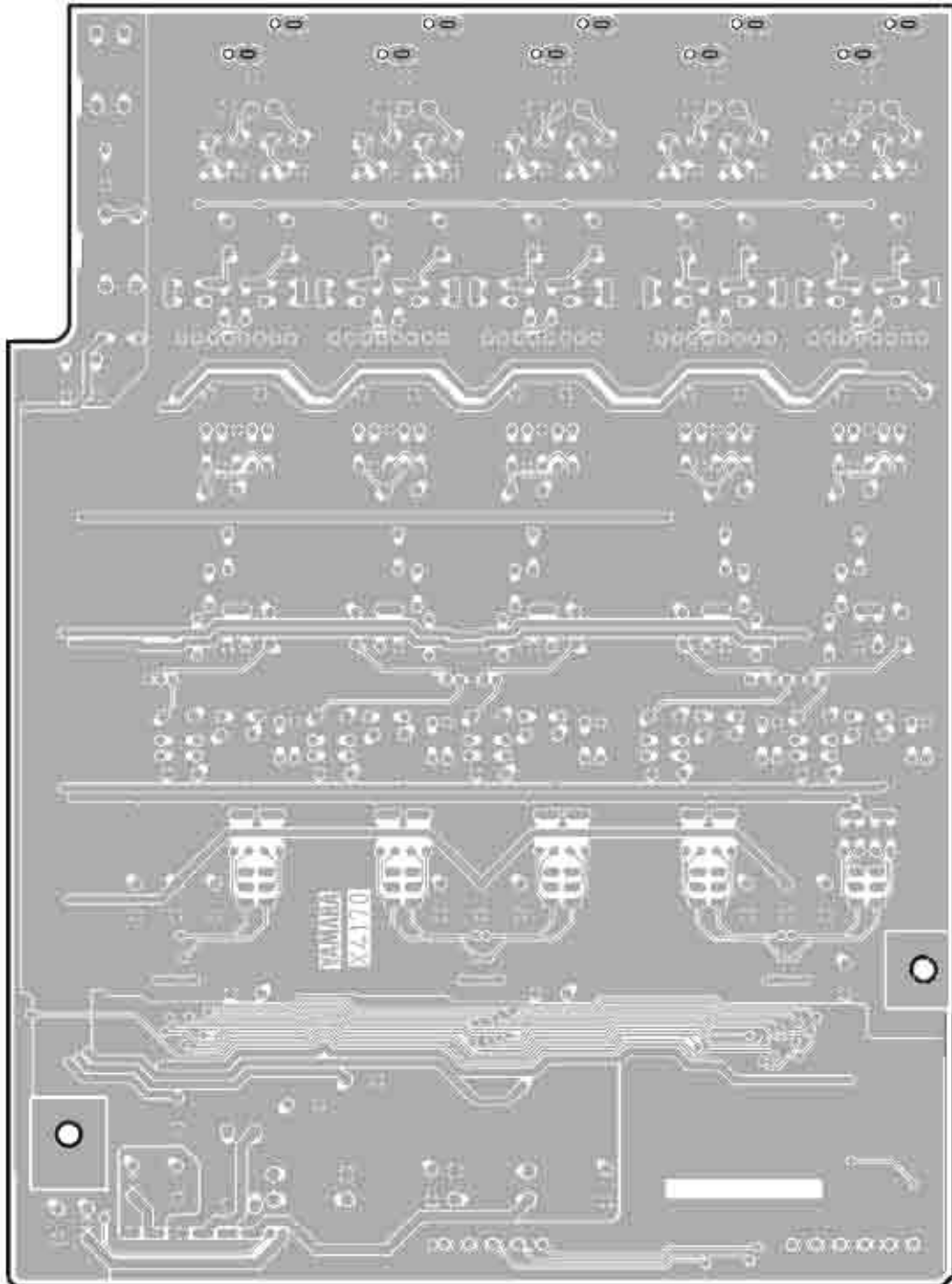


Pattern side

● DA2 Circuit Board

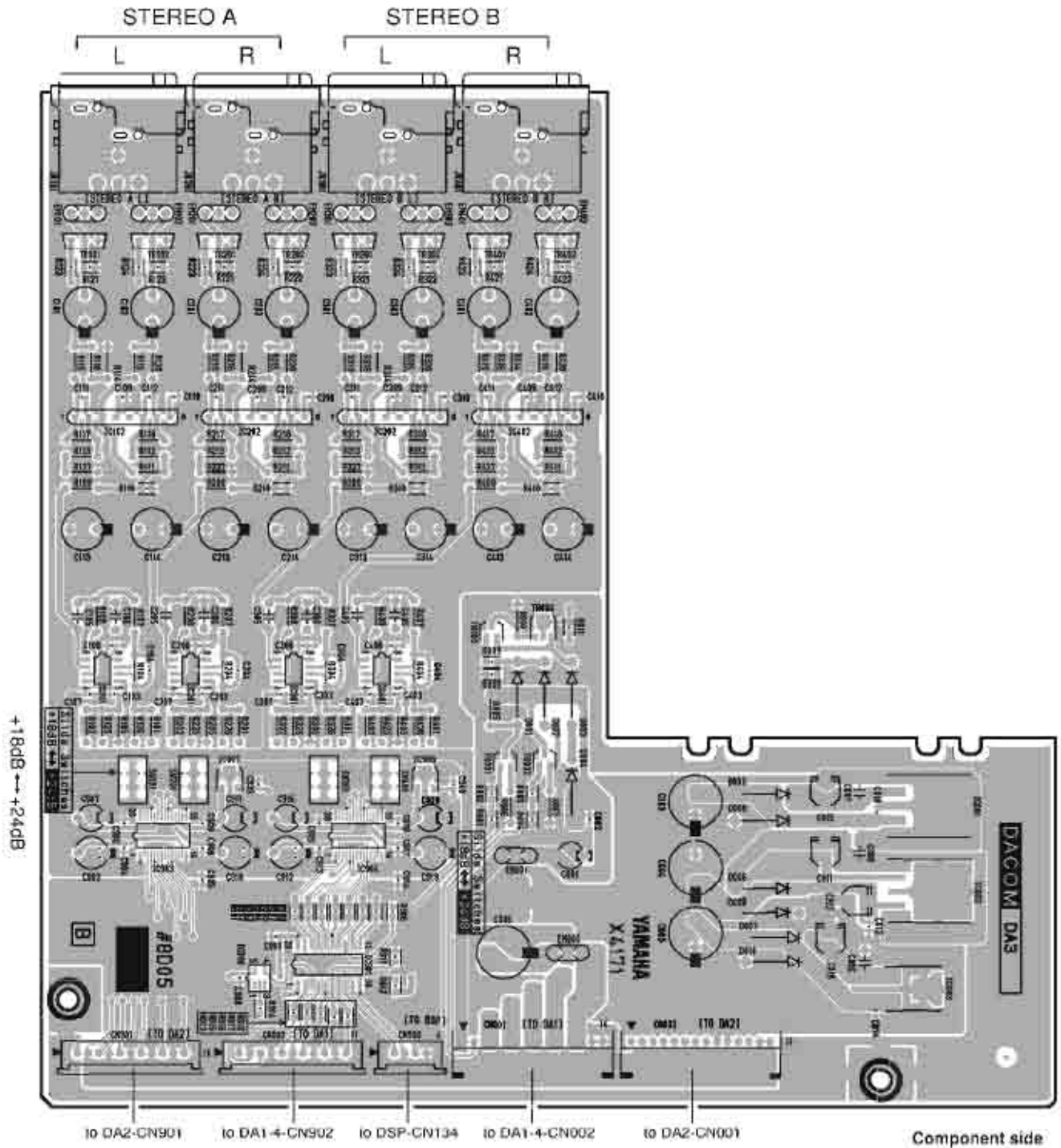


● DA2 Circuit Board

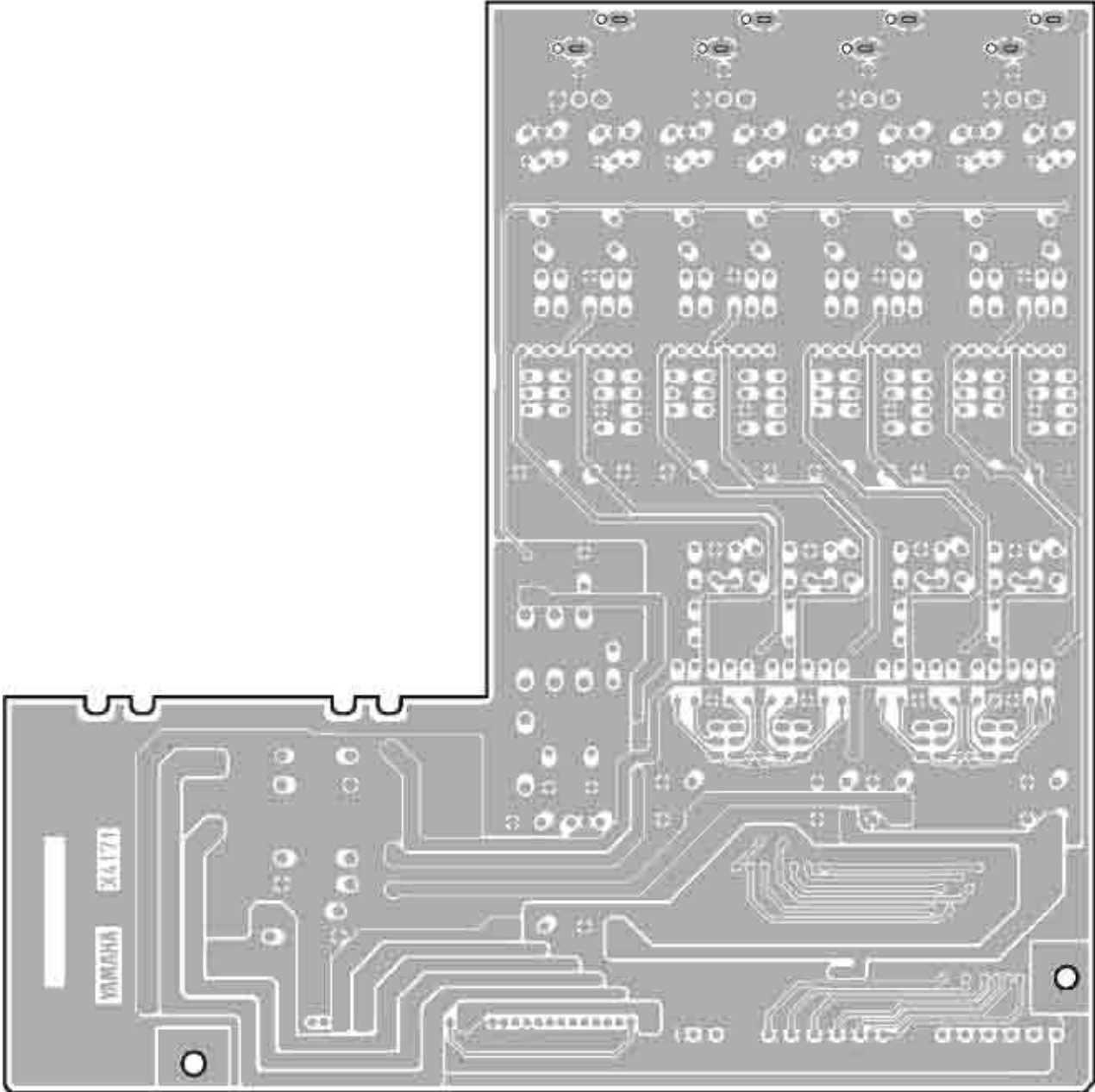


Pattern side

● DA3 Circuit Board

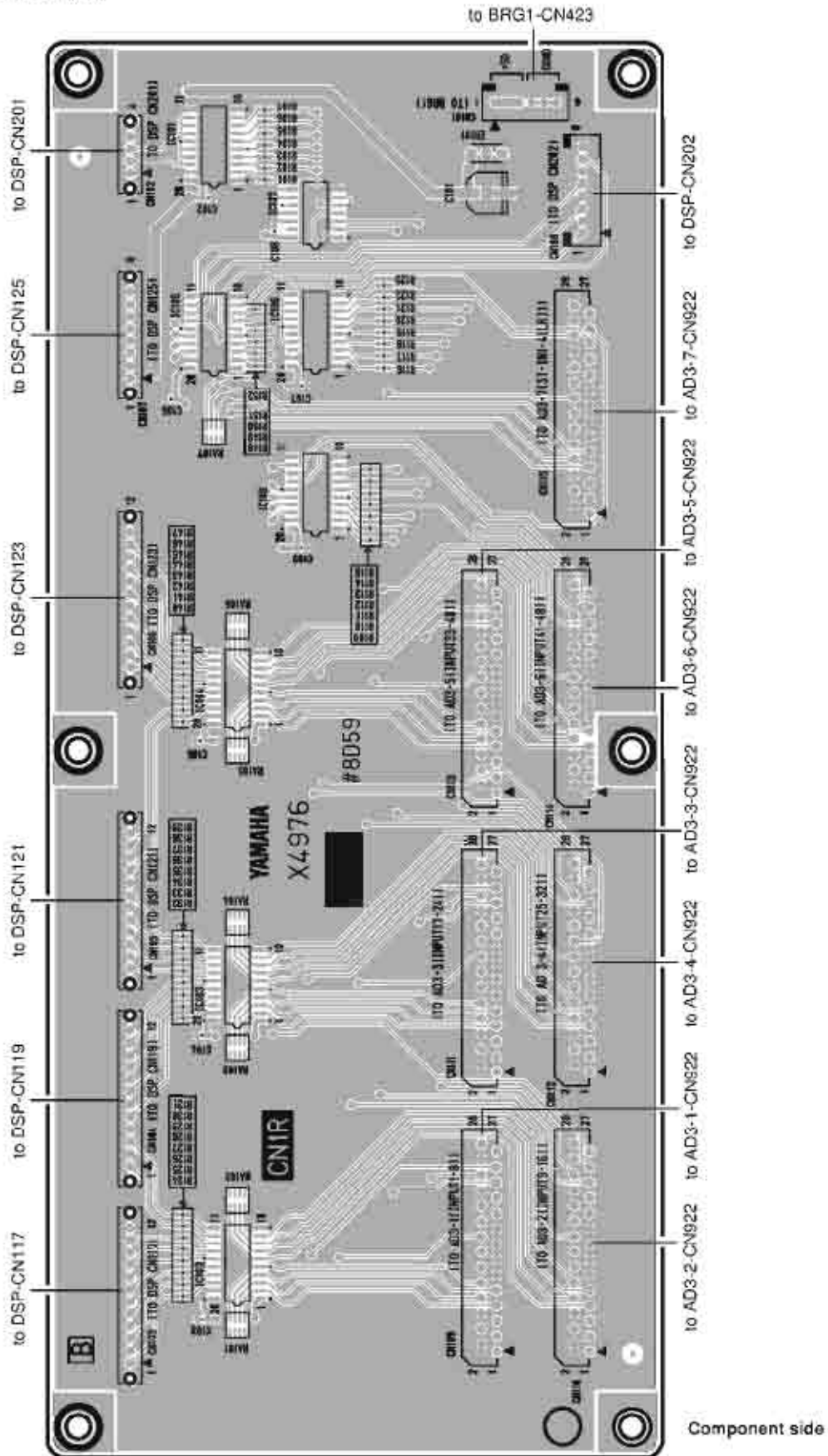


● DA3 Circuit Board

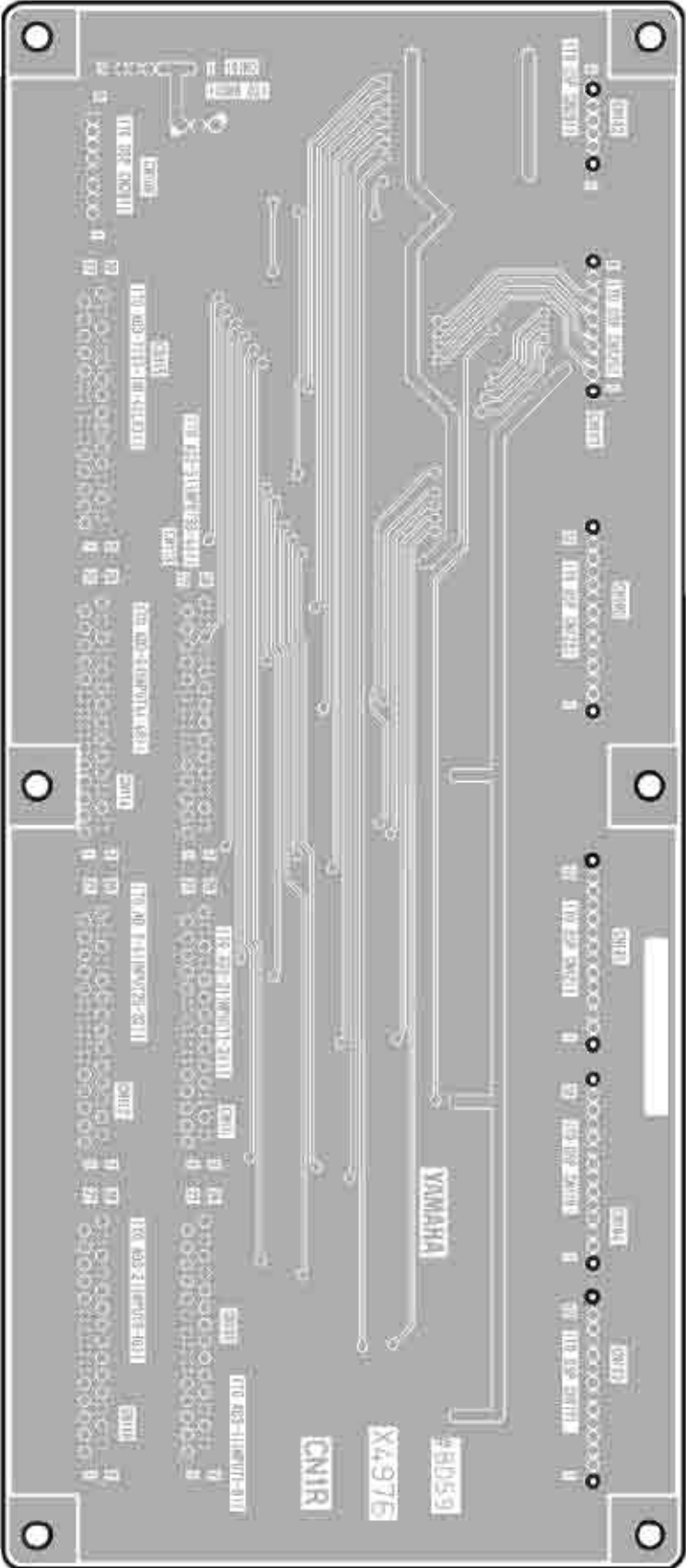


Pattern side

● CN1R Circuit Board

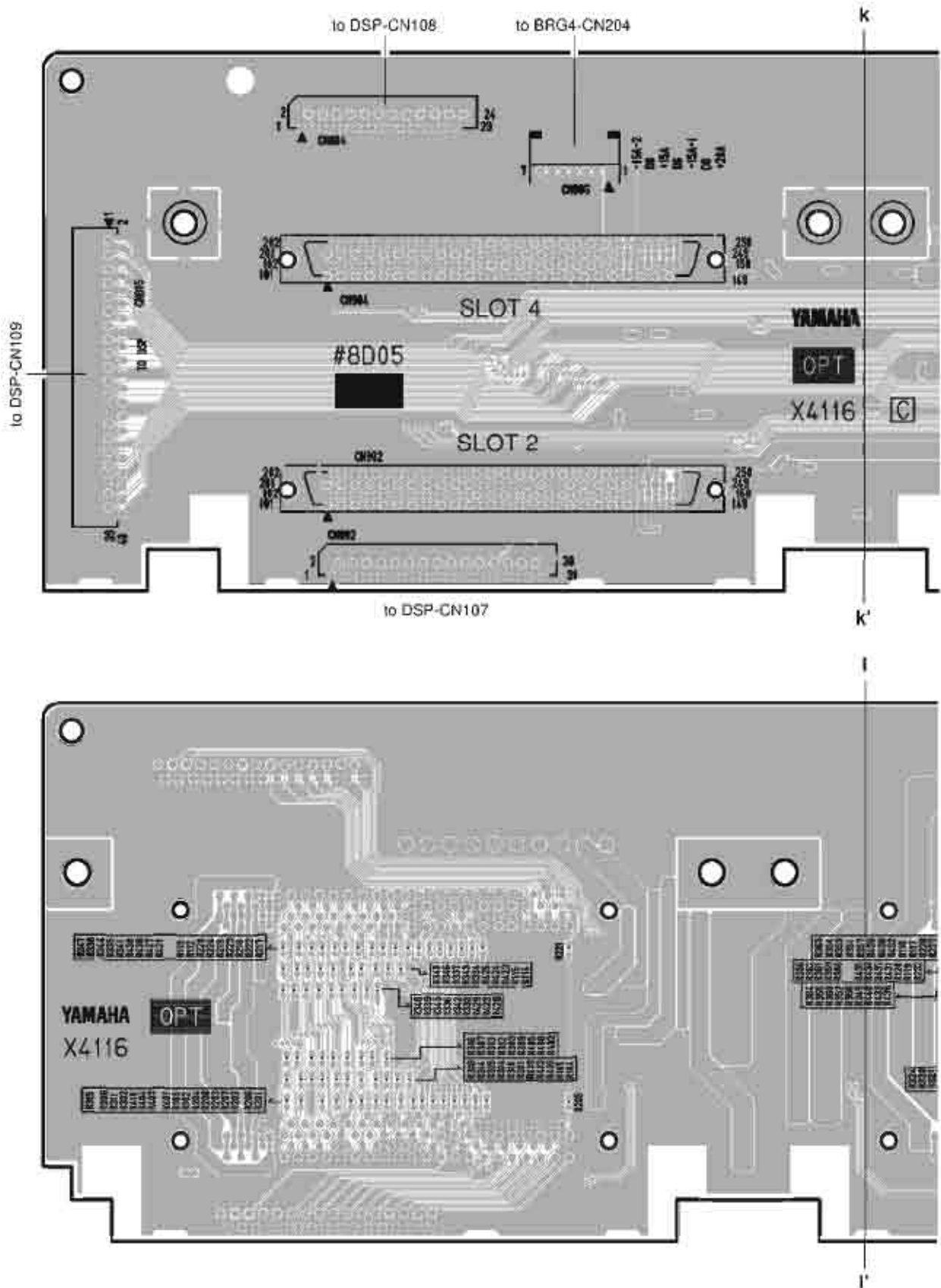


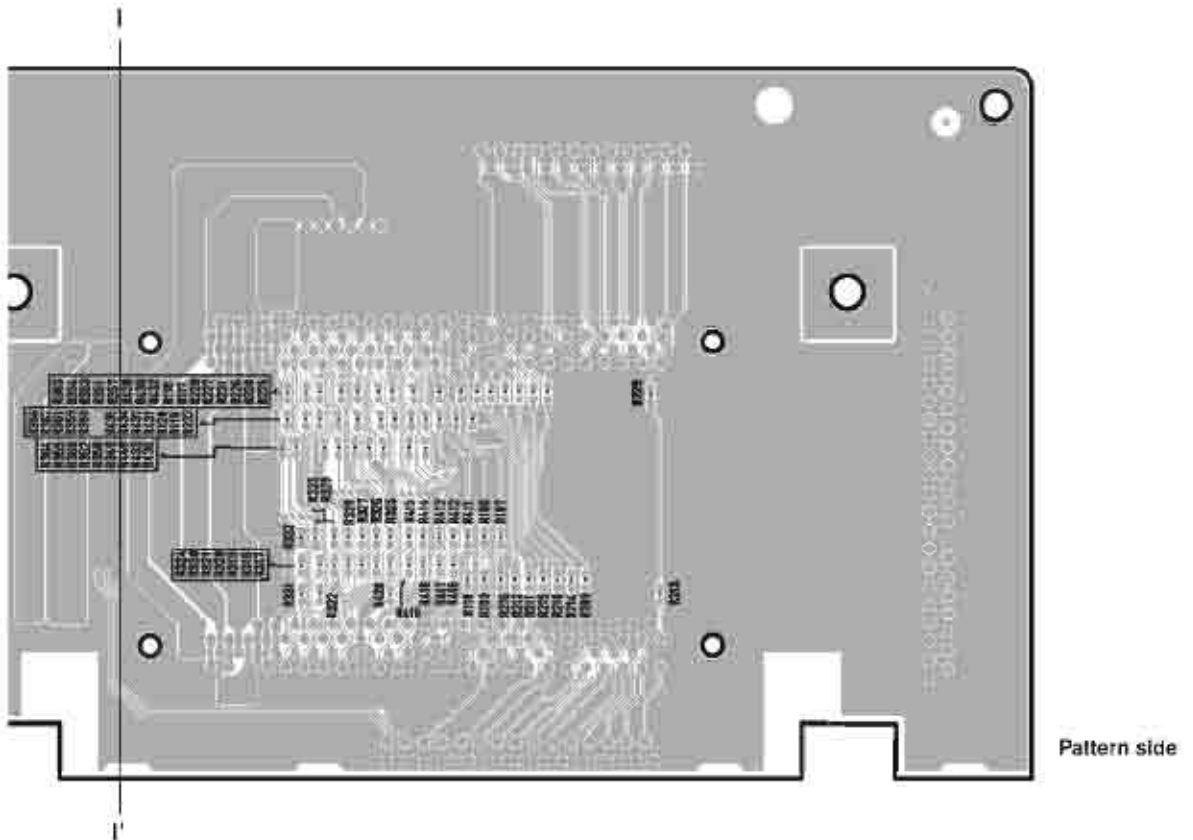
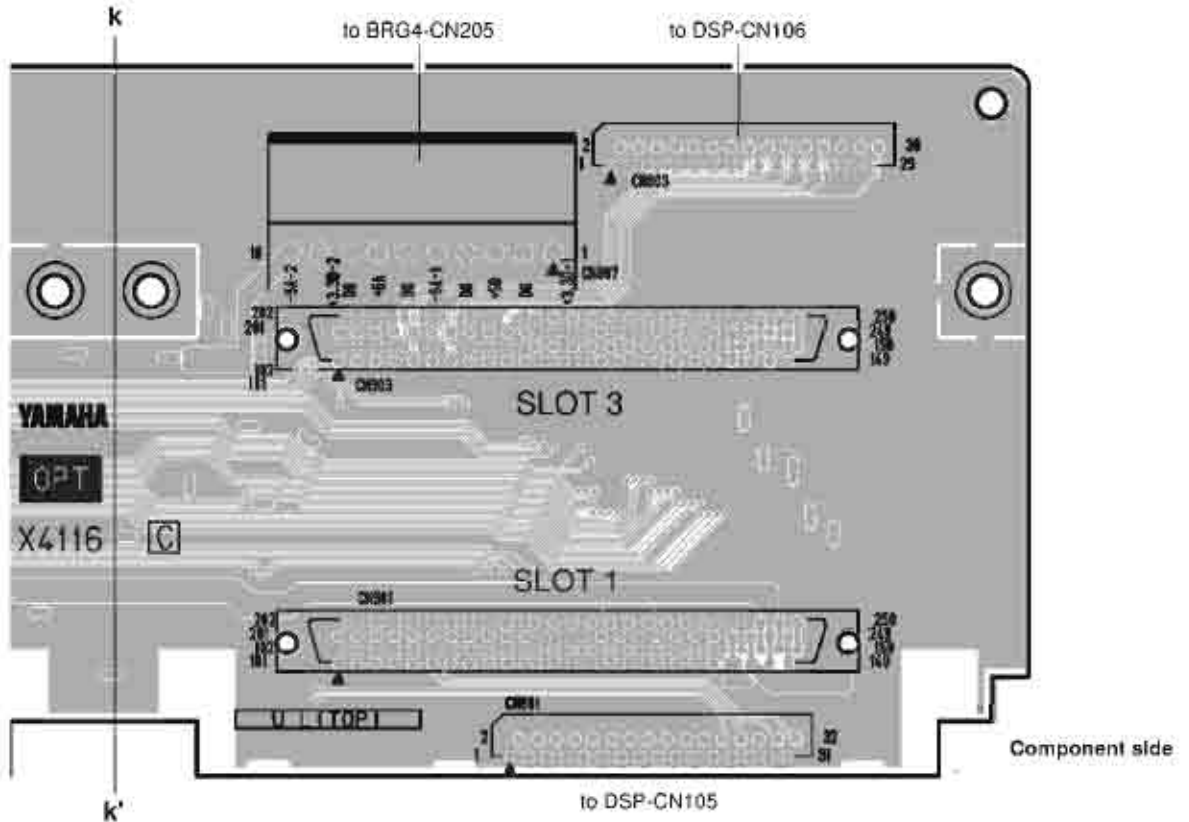
● CN1R Circuit Board



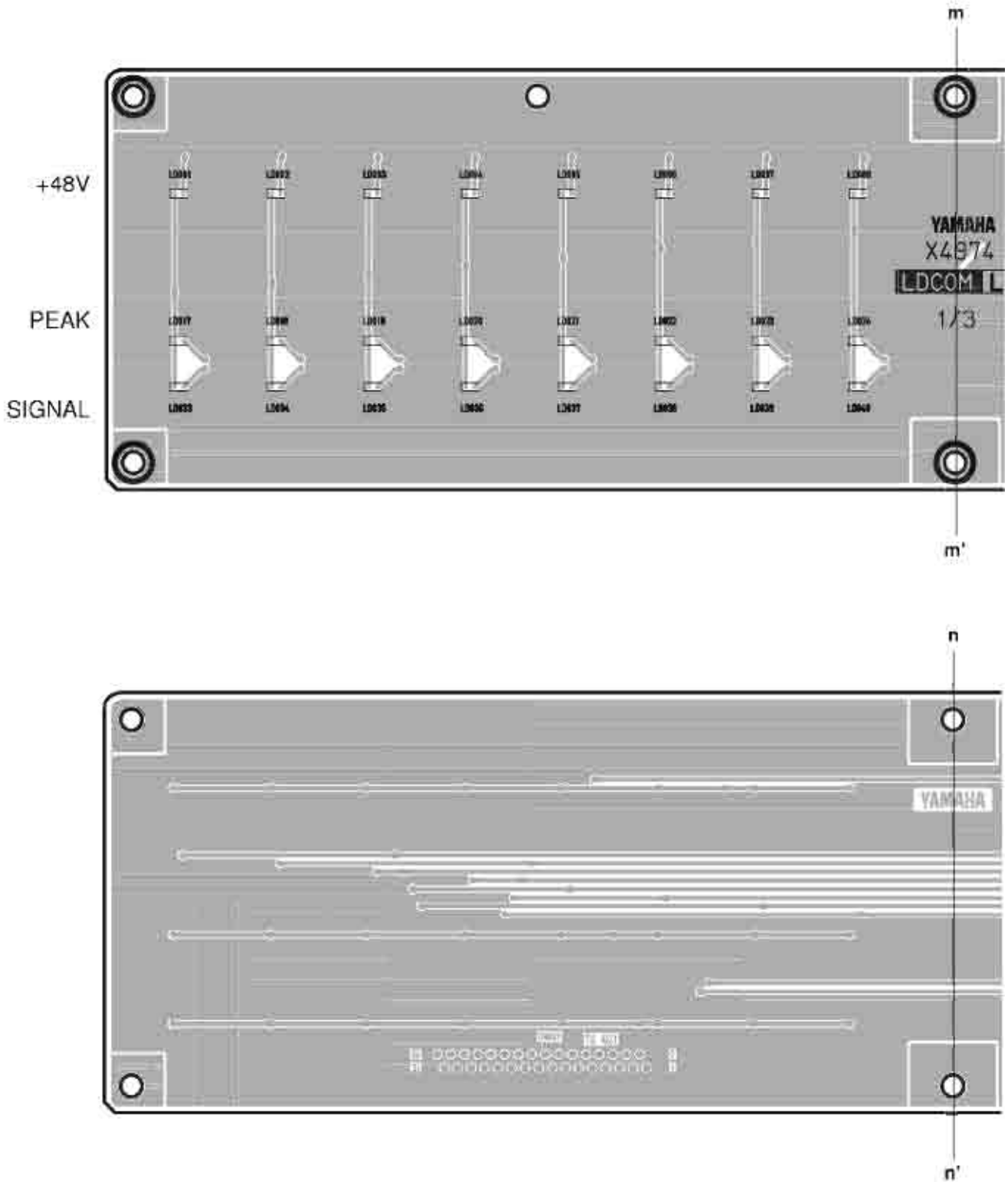
Pattern side

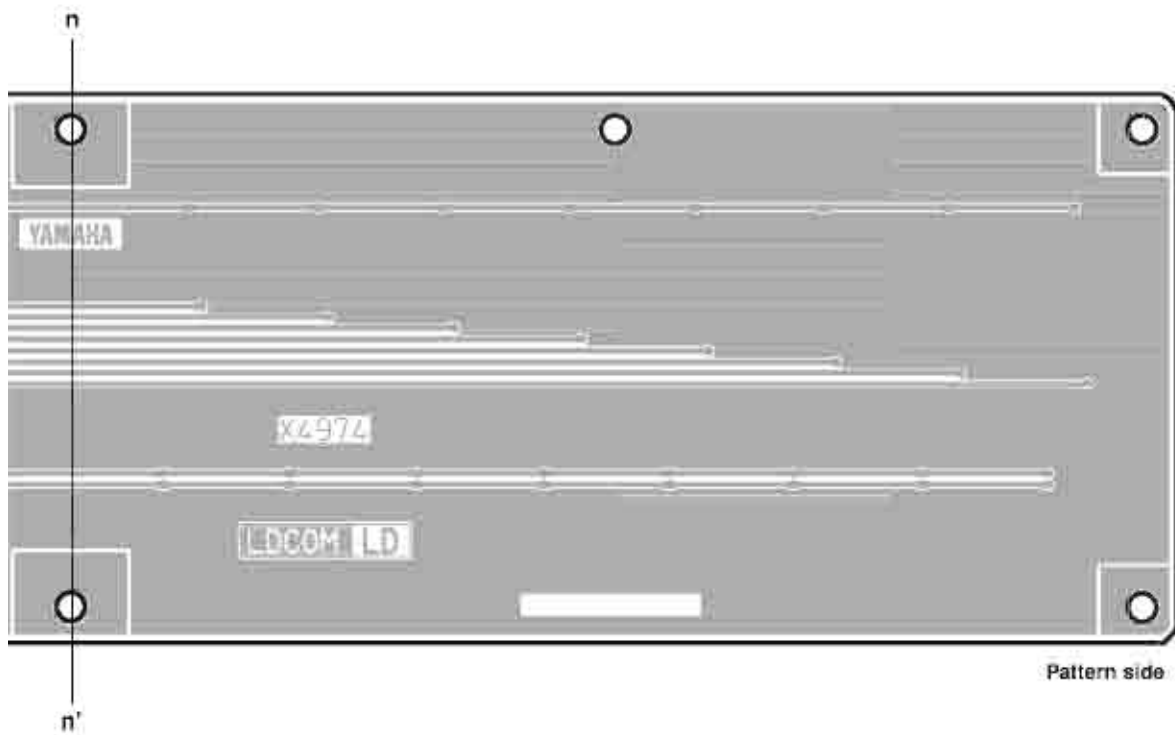
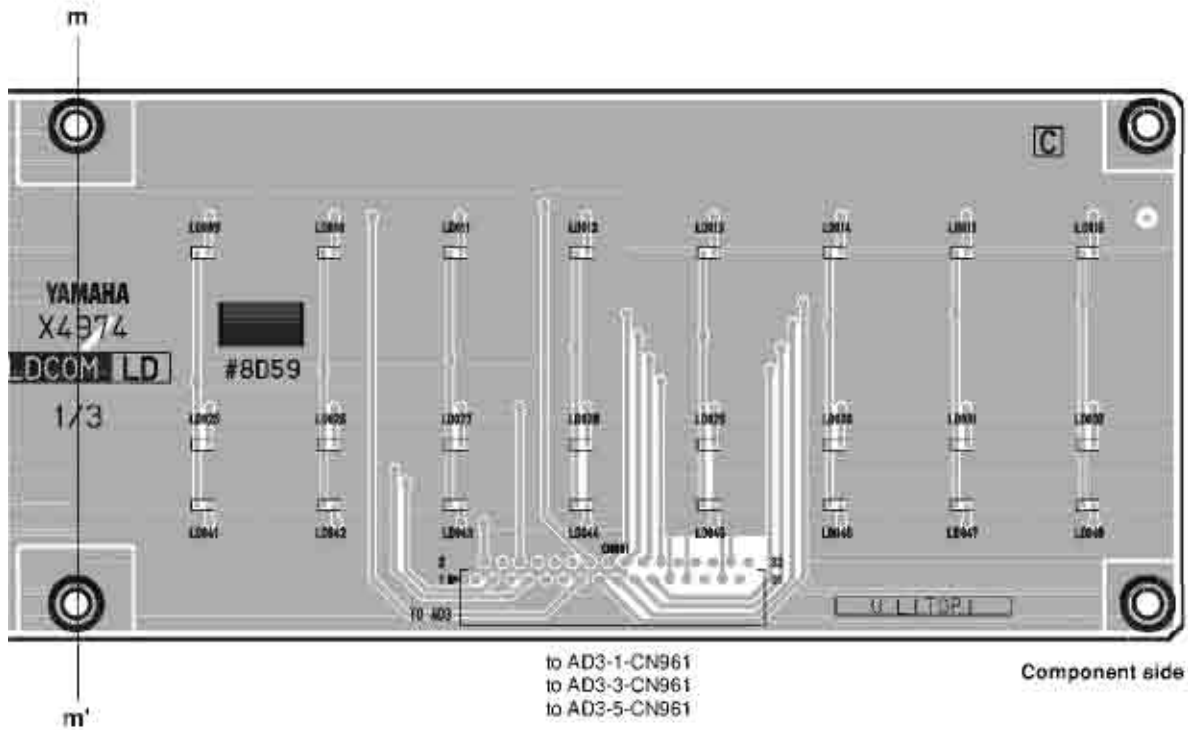
● OPT Circuit Board



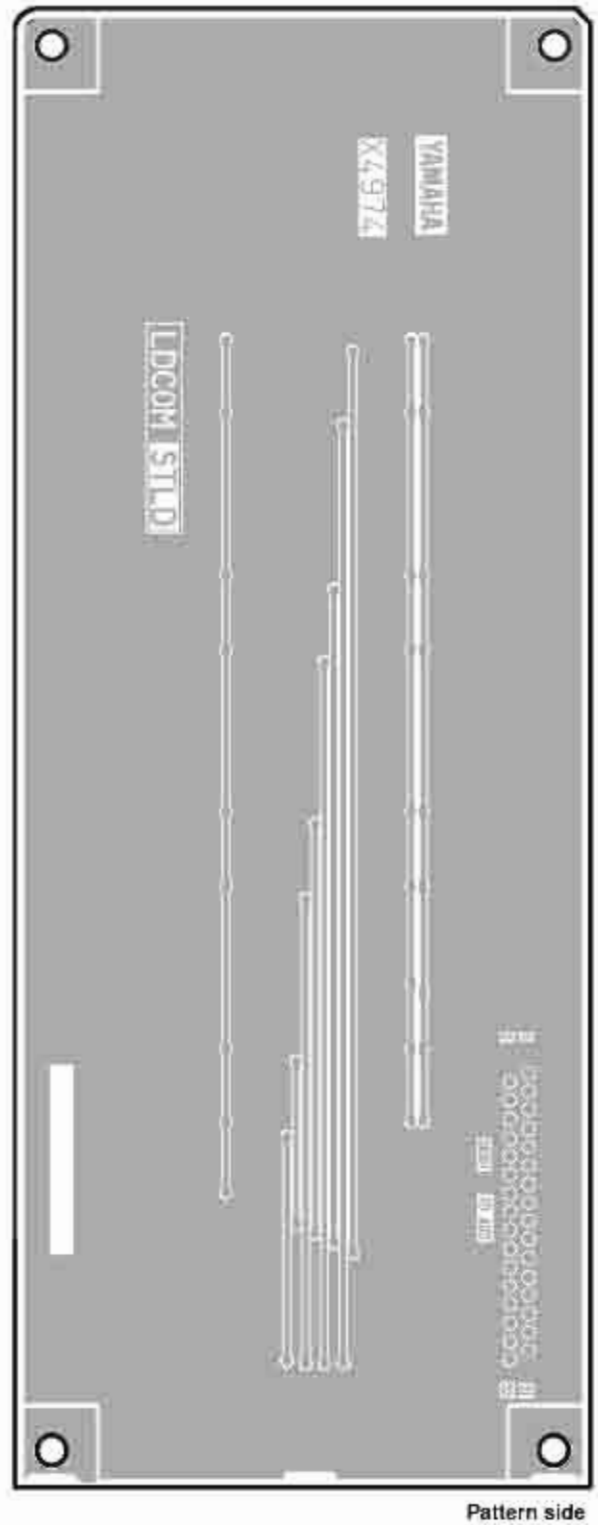
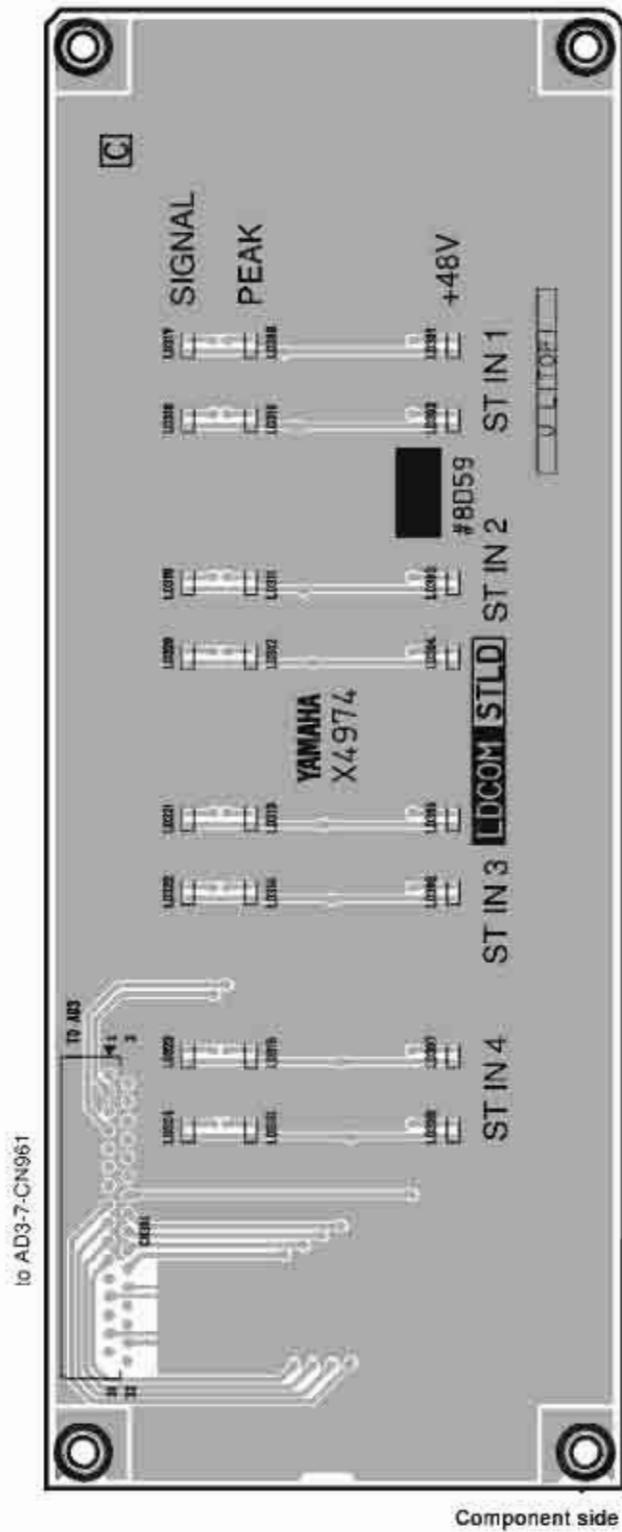


● LD Circuit Board

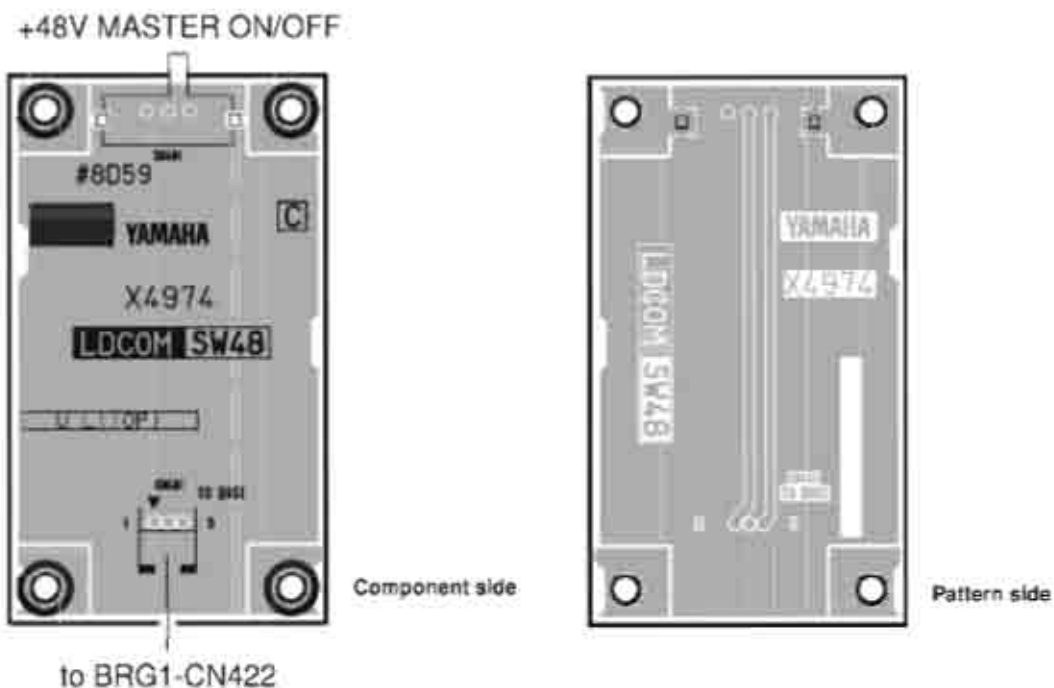




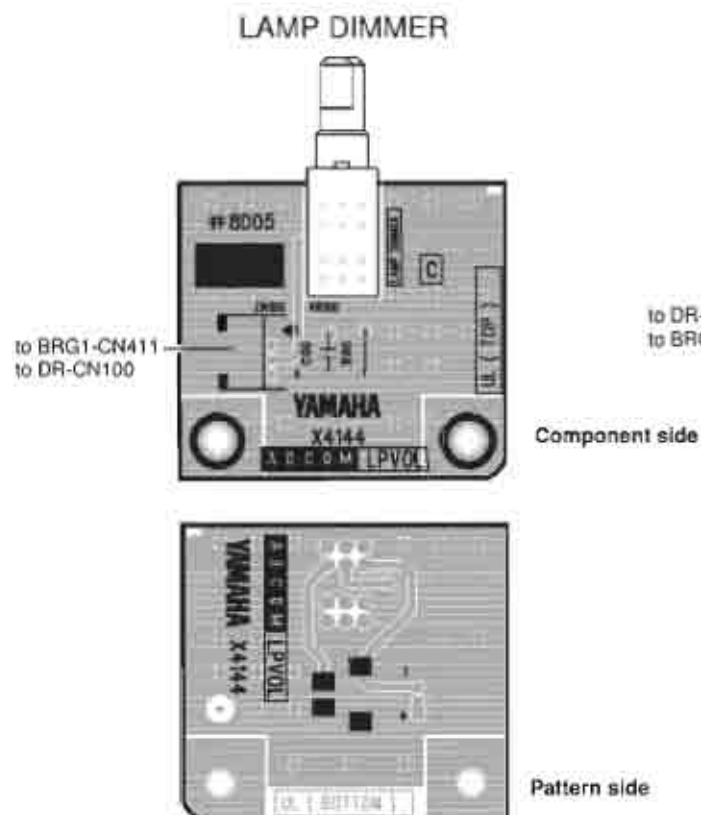
● STLD Circuit Board



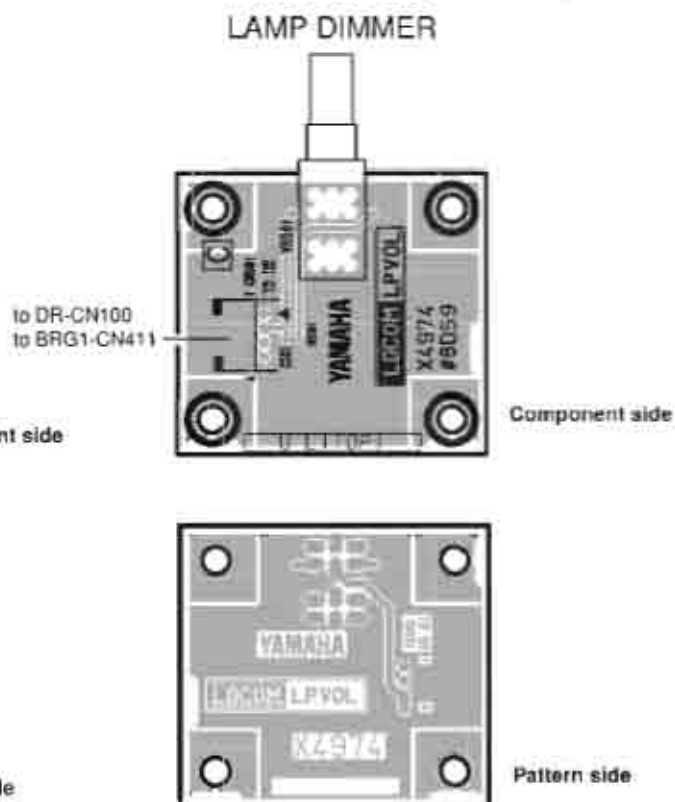
● SW48 Circuit Board



● LPVOL Circuit Board (PM5D)



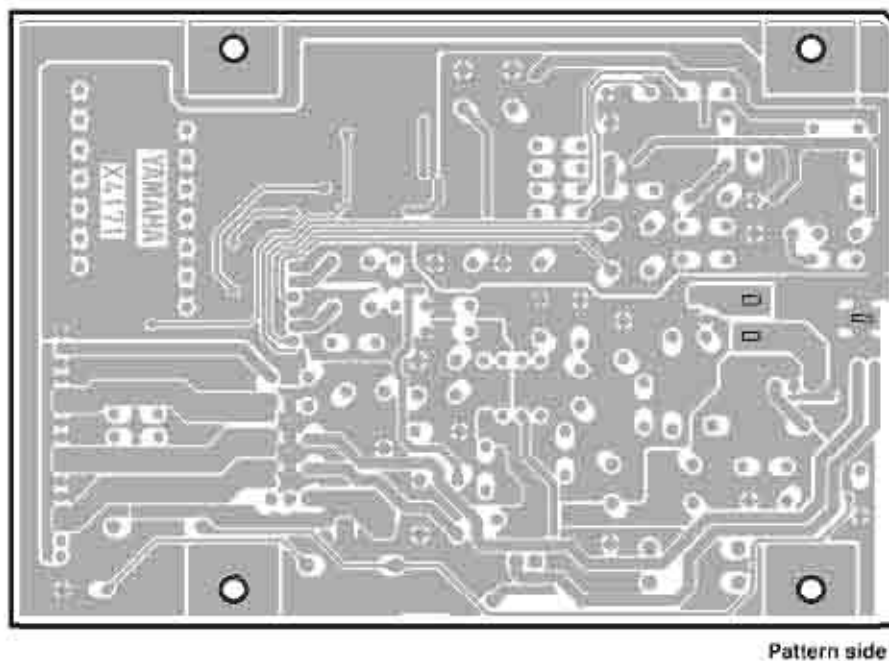
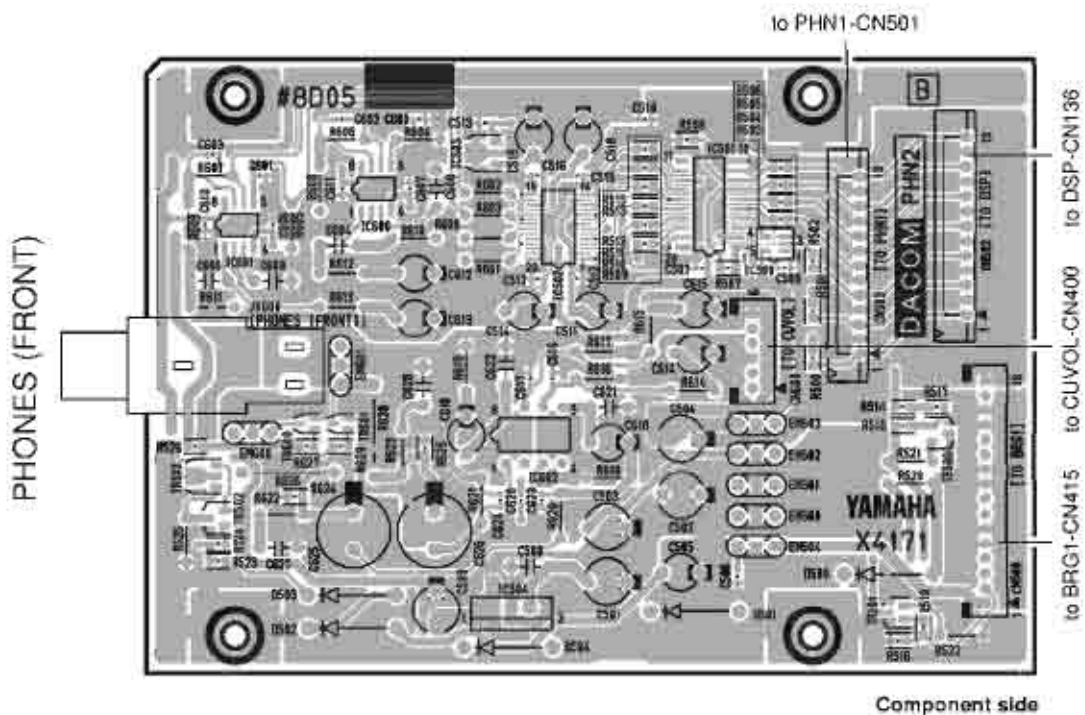
● LPVOL Circuit Board (PM5D-RH)



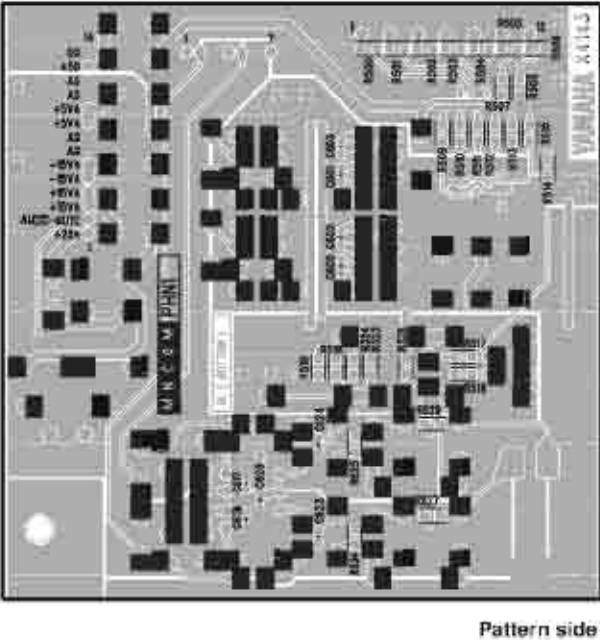
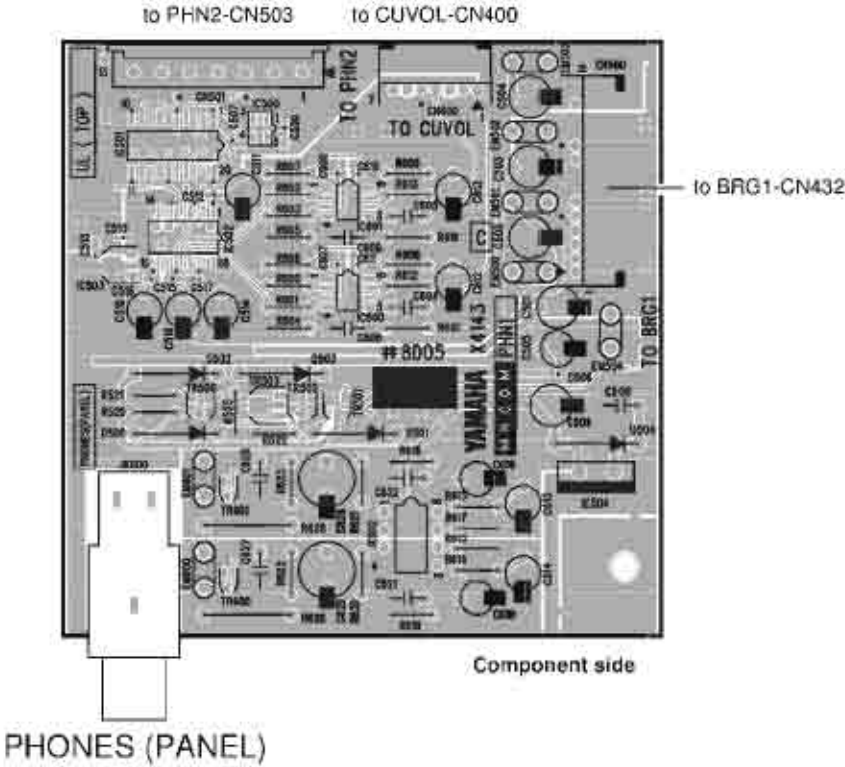
SW48, LPVOL (PM5D-RH): 2NAP-WC31430-1
 LPVOL (PM5D): 2NAP-WB08540-1



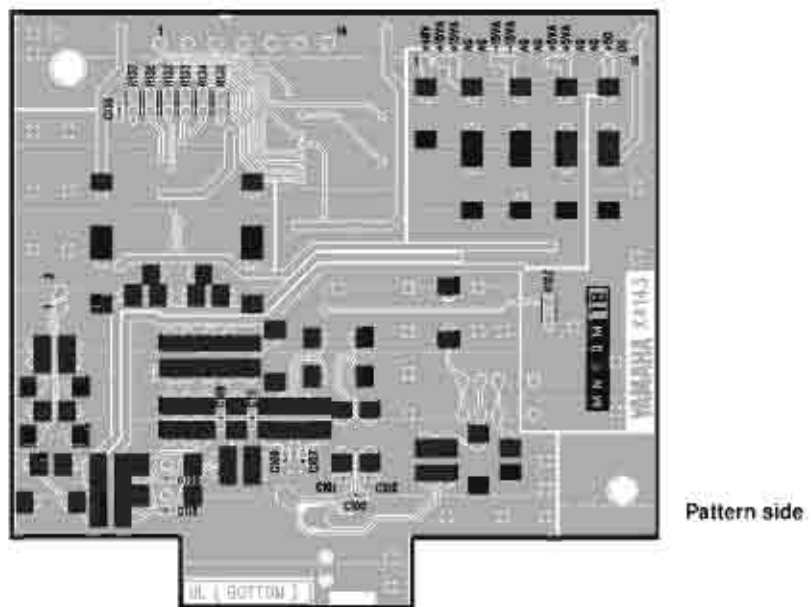
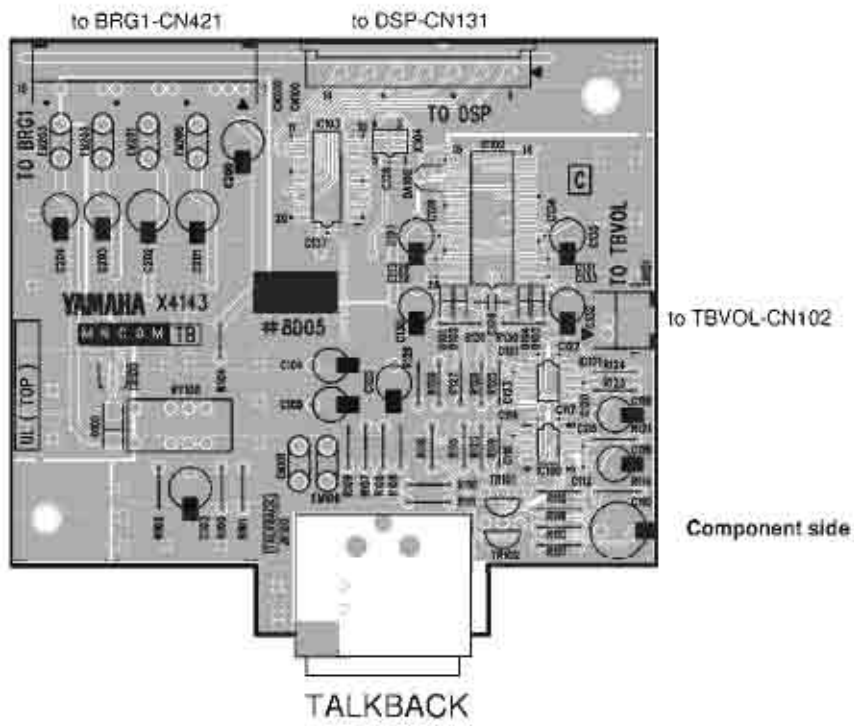
● PHN2 Circuit Board



● PHN1 Circuit Board



● TB Circuit Board



■ INSPECTIONS

1. Preparations

1-1. Parameters

- ◆ The parameter settings are as follows unless otherwise specified.

- Set WORD CLOCK INT to 96 kHz.
- Turn on only the channel being measured.

PAN:	Center
GAIN:	MIN
PAD SW (only PM5D):	ON
INSERT SW (only PM5D):	OFF
FADER:	NOMINAL (0 dB)
MIX MASTER LEVEL:	NOMINAL (0 dB)
MATRIX MASTER LEVEL:	NOMINAL (0 dB)
MONITOR LEVEL:	MAX
CUE LEVEL:	MAX
PHONES LEVEL:	MAX
TALKBACK LEVEL:	MAX
+48V MASTER SW (only PM5D-RH):	ON
PAN NOMINAL POSITION - MONO:	CENTER
	- PAIR: L R

- 0 dBu = 0.775 Vrms
- 0dBFS = 0 dB, full scale
- Set the oscillator output impedance to 150 Ω.
- Input impedance of oscilloscope, level gauge shall be over 100 kΩ.
- Correct the noise measurement: with a 12.7 kHz, -6 dB/octave low pass filter. (For measurement, use the average values and not effective values.)
- Correct the distortion measurement with an 80 kHz, -18 dB/octave low pass filter.

- ◆ For analog output inspection, add or change parameter settings as follows.
- For maximum output measurement, unless otherwise specified, output 0 dB from the internal oscillator.
- Set the analog output loads as follows.

STEREO A, B (L, R):	600
MONITOR OUT (L, R, C):	600
CUE OUT (L, R):	600
MATRIX OUT 1 - 8:	600
MIX OUT 1 - 24:	600
INSERT OUT 1 - 48:	10 k
PHONES (x2):	8

1-2. Updating the Program

If the main program is not the latest version, it is necessary to update it to the latest version.

- * For the latest version, download the latest program from the YSIS home page and save it in the memory card.

(1) How to check the version of the main program

Press the DISPLAY ACCESS [UTILITY] button and select the PREFERENCE 2 page in the LCD screen. Then the current version will be displayed on the right side of the screen.

(2) How to write programs

For the program writing procedure, refer to the "UPDATING THE PROGRAM" section. (See page 245)

1-3. Initialization

All of the contents that have been saved in memory will be lost if you initialize the internal memory. You must use extreme caution when performing this operation.

- 1 While holding down the SCENE MEMORY [STORE] key on the panel, turn on the power of the PW800W power supply. After the opening screen, the initialization menu screen will appear as shown below.



- 2 Click one of the following buttons to select the desired type of initialization.
 - **INITIALIZE ALL MEMORIES**
All memories including scene memories and libraries will return to their factory-set condition.
 - **INITIALIZE CURRENT MEMORIES**
Memories other than scene memories and libraries will return to their factory-set condition.
 - **CANCEL**
The initialization procedure will be canceled, and the PM5D will start up in the normal operating mode.

Note If the voltage of the backup battery runs low, or if an error occurs in the internal memory, a warning message will appear at the bottom of the screen, and the initialization menu will appear automatically. Please note that if you click the [CANCEL] button while the warning message is displayed and start in the normal operating mode, proper operation of the system will not be guaranteed.

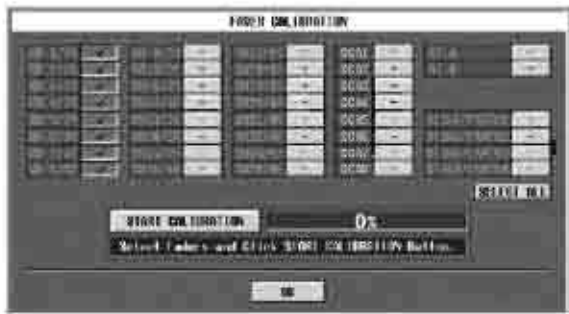
- 3 When a message asking you for confirmation of initialization is displayed, click the [OK] button. When the internal memory has been initialized, the PM5D will start up in the normal operating mode.

1-4. Fader Calibration

- 1 While holding down the [ENTER] key of the panel, turn on the power of the PW800W power supply. After the opening screen, the calibration menu screen will appear as shown below.



- 2 Click the [CALIBRATE FADER POSITION] button, and the FADER CALIBRATION screen will appear.



- 3 Click the fader select button to add a check mark to the fader you want to calibrate. If problems with certain faders were detected during start-up, those buttons will be on (green), and check marks will already be shown for them.
- 4 Click the [START CALIBRATION] button, and calibration will begin automatically. The progress bar will indicate the state of the process.
- 5 The automatic processing will end when the progress bar reaches 60%. Manually move all faders you specified for calibration to the positions listed below in the following order:
(Adjust each fader manually so that its deviation from the index is within ± 0.5 mm.)
 - ① 0
 - ② -20 dB
 - ③ 0 dB
 - ④ +10 dB

- 6 After setting the fader to the correct position, press the [ENTER] key. Processing will proceed to the next fader position.
- 7 Repeat steps 5 and 6 for each fader position ① to ④.
- 8 Verify that calibration has been completed and that all fader select buttons are now off. Then click the [OK] button.
The calibration settings will be stored in the internal memory. If a fader select button remains on (green), calibration has failed. Execute calibration once again.

Note: The will indicate "Writing..." on the progress bar indicates that the settings are being written to internal memory. Do not turn off the power while it is displayed on the progress bar.

1-5. MAIN P.C.B. SRAM Backup Inspection

Check to ensure that "== INITIALIZE MENU ==" does not appear on the LCD screen when the power is turned on.

2. ANALOG IN/OUT Characteristic Inspection

2-1. ANALOG IN/OUT WORD CLOCK INT 96 kHz Inspection

2-1-1. STEREO A (L, R), STEREO B (L, R)

Parameters: Input from INPUT (XLR) of CH1.
Assign CH1 to STEREO A, B.

[1] Gain (STEREO A (L, R), STEREO B (L, R))

Input frequency	Input level	Specified output level	Permissible range
1 kHz	+10 dBu	+4 dBu	+4 \pm 2 dBu

[2] f characteristic (STEREO A (L, R), STEREO B (L, R))

Parameter: 1 kHz is used as reference of the permissible range

Input frequency	Input level	Permissible range
20 Hz	+10 dBu	-1.5~+0.5 dB
40 kHz	+10 dBu	-1.5~+0.5 dB

[3] Distortion factor (STEREO A (L, R), STEREO B (L, R))

Input frequency	Output level	Permissible range
1 kHz	+22 dBu	0.007% or below

[4] Residual noise (STEREO A (L, R), STEREO B (L, R))

Parameter: Turn off STEREO A and B.

Permissible range
-86 dBu or below

[5] STEREO A (L, R) to STEREO B (L, R) level difference

Adjust the range of difference in the gain measured in Item [1] above as follows.

Permissible range
Within 1 dB

[6] Crosstalk between adjacent channels (STEREO A, B)

Parameters: Set PAN of CH1 fully to the L side for L channel output and set it fully to the R side for R channel output.

Execute output only from one output channel and measure the noise level of the adjacent channels.

Input frequency	Output level (STEREO AL)	Permissible range (STEREO AR)
1 kHz	+23 dBu	-57 dBu or below

Input frequency	Output level (STEREO AR)	Permissible range (STEREO AL) (STEREO BL)
1 kHz	+23 dBu	-57 dBu or below

Input frequency	Output level (STEREO BL)	Permissible range (STEREO AR) (STEREO BR)
1 kHz	+23 dBu	-57 dBu or below

Input frequency	Output level (STEREO BR)	Permissible range (STEREO BL)
1 kHz	+23 dBu	-57 dBu or below

[7] Maximum output (STEREO A (L, R), STEREO B (L, R))

Parameter: Only the built-in oscillator should be assigned to STEREO A (L, R), STEREO B (L, R).

Input frequency	Output level	Permissible range	Distortion factor
1 kHz	+24 dBu	+24±0.5 dBu	0.006% or below

2-1-2. MIX OUT 1 - 24

Parameters: Input from INPUT (XLR) of CH1

Turn on the channel to be tested only.

Assign Ch1 to MIX 1-24 and set MIX SEND LEVEL all to NOMINAL (0 dB).

[1] Gain (MIX OUT 1 - 24)

Input frequency	Input level	Specified output level	Permissible range
1 kHz	+10 dBu	+4 dBu	+4±2 dBu

[2] f characteristic (MIX OUT 1 - 24)

Parameter: 1 kHz is used as reference of the permissible range

Input frequency	Input level	Permissible range
20 Hz	+10 dBu	-1.5~+0.5 dB
40 kHz	+10 dBu	1.5~+0.5 dB

[3] Distortion factor (MIX OUT 1 - 24)

Input frequency	Output level	Permissible range
1 kHz	+22 dBu	0.007% or below

[4] Residual noise (MIX OUT 1 - 24)

Parameter: Turn off MIX 1 - 24.

Permissible range
-86 dBu or below

[5] MIX OUT 1 - 24 level difference

Adjust the range of difference in the gain measured in item [1] above as follows.

Permissible range
Within 1 dB

[6] Crosstalk between adjacent channels (MIX OUT 1 - 24)

Parameters: Turn on only MIX OUT of one odd number channel for output with MIX OUT of other channels turned off and measure the noise level of even number channels next to the odd number channel on both side.

Input frequency	Output level (Odd number channel)	Permissible range (Even number channel)
1 kHz	+23 dBu	-57 dBu or below

Perform the same check on the even number channel side.

[7] Maximum output (MIX OUT 1 - 24)

Parameter: Assign only the built-in oscillator to MIX OUT 1 - 24.

Input frequency	Output level	Permissible range	Distortion factor
1 kHz	+24 dBu	+24±0.5 dBu	0.006% or below

2-1-3. MATRIX OUT 1 - 8

Parameters: Input from INPUT (XLR) of CH1

Turn on the channel to be tested only.

Assign CH1 to MIX 1, MIX 1 to MATRIX 1 - 8 and set all MATRIX SEND LEVEL to NOMINAL (0 dB).

[1] Gain (MATRIX OUT 1 - 8)

Input frequency	Input level	Specified output level	Permissible range
1 kHz	+10 dBu	+4 dBu	+4±2 dBu

[2] f characteristic (MATRIX OUT 1 - 8)

Parameter: 1 kHz is used as reference of the permissible range.

Input frequency	Input level	Permissible range
20 Hz	+10 dBu	-1.5~+0.5 dB
40 kHz	+10 dBu	-1.5~+0.5 dB

[3] Distortion factor (MATRIX OUT 1 - 8)

Input frequency	Output level	Permissible range
1 kHz	+22 dBu	0.007% or below

[4] Residual noise (MATRIX OUT 1 - 8)

Parameter: Turn off MATRIX 1 - 8.

Permissible range
-86 dBu or below

[5] Level difference (MATRIX OUT 1 - 8)

Adjust the range of difference in the gain measured in the item [1] above as follows.

Permissible range
Within 1 dB

[6] Crosstalk between adjacent channels (MATRIX OUT 1 - 8)

Parameters: Turn on only MATRIX OUT of one odd number channel for output with MATRIX OUT of other channels turned off and measure the noise level of even number channels next to the odd number channel on both side.

Input frequency	Output level (Odd number channel)	Permissible range (Even number channel)
1 kHz	+23 dBu	-57 dBu or below

Perform the same check on the even number channel side.

[7] Maximum output (MATRIX OUT 1 - 8)

Parameter: Assign only the built-in oscillator to MATRIX OUT 1 - 8.

Input frequency	Output level	Permissible range	Distortion factor
1 kHz	+24 dBu	+24±0.5 dBu	0.006% or below

2-1-4. MONITOR OUT L, R, C

Parameters: Input from INPUT (XLR) of CH1.
Assign CH1 to MONITOR INSERT INPUT L, R, C and turn on INSERT.
Turn on MONITOR SW.

[1] Gain (MONITOR OUT L, R, C)

Input frequency	Input level	Specified output level	Permissible range
1 kHz	+10 dBu	+4 dBu	+4±2 dBu

[2] f characteristic (MONITOR OUT L, R, C)

Parameter: 1 kHz is used as reference of the permissible range

Input frequency	Input level	Permissible range
20 Hz	+10 dBu	-1.5~+0.5 dB
40 kHz	+10 dBu	-1.5~+0.5 dB

[3] Distortion factor (MONITOR OUT L, R, C)

Input frequency	Output level	Permissible range
1 kHz	+22 dBu	0.007% or below

[4] Residual noise (MONITOR OUT L, R, C)

Parameter: Turn off MONITOR INSERT.

Monitor level	Permissible range
MAX	-86 dBu or below
MIN	-100 dBu or below

[5] Level difference (MONITOR OUT L, R, C)

Adjust the range of difference in the gain measured in item [1] above as follows.

Permissible range
Within 1 dB

[6] Crosstalk between adjacent channels (MONITOR OUT L, R, C)

Parameters: Turn on only INSERT of one output channel for output with INSERT of other channels turned off and measure the noise level of adjacent channels of the output channel.

Input frequency	Output level (MONITOR OUT L)	Permissible range (MONITOR OUT R) (CUE OUT R)
1 kHz	+23 dBu	-57 dBu or below

Input frequency	Output level (MONITOR OUT R)	Permissible range (MONITOR OUT L) (MONITOR OUT C)
1 kHz	+23 dBu	-57 dBu or below

Input frequency	Output level (MONITOR OUT C)	Permissible range (MONITOR OUT R)
1 kHz	+23 dBu	-57 dBu or below

[7] Maximum output (MONITOR OUT L, R, C)

Parameter: Turn off INSERT of MONITOR.

At L, R output, assign the built-in oscillator to STEREO B (L, R) and SOURCE of MONITOR to STEREO B.

At C output, switch STEREO B to CENTER BUS in the above state.

Input frequency	Output level	Permissible range	Distortion factor
1 kHz	+24 dBu	+24±0.5 dBu	0.006% or below

2-1-5. CUE OUT L, R,

Parameters: Input from INPUT (XLR) of CH1

Turn on CUE of CH1.

Set INPUT CUE to POST PAN.

[1] Gain (CUE OUT L, R)

Input frequency	Input level	Specified output level	Permissible range
1 kHz	+10 dBu	+4 dBu	+4±2 dBu

[2] f characteristic (CUE OUT L, R)

Parameter: 1 kHz is used as reference of the permissible range

Input frequency	Input level	Permissible range
20 Hz	+10 dBu	-1.5~+0.5 dB
40 kHz	+10 dBu	-1.5~+0.5 dB

[3] Distortion factor (CUE OUT L, R)

Input frequency	Output level	Permissible range
1 kHz	+22 dBu	0.007% or below

[4] Residual noise (CUE OUT L, R)

Parameter: Turn off CUE of CH1.

CUE level	Permissible range
MAX	-86 dBu or below
MIN	-100 dBu or below

[5] L to R level difference

Adjust the range of difference in the gain measured in item [1] above as follows.

Permissible range
Within 1 dB

[6] Crosstalk between adjacent channels (CUE OUT L, R)

Parameters: At CUE OUT L output, set PAN of CH1 fully to the L side and at CUE OUT R output, set it fully to the R side.

Set only one output channel for output and measure the noise level of adjacent channels of this output channel.

Input frequency	Output level (CUE OUT L)	Permissible range (CUE OUT R)
1 kHz	-23 dBu	-57 dBu or below

Input frequency	Output level (CUE OUT R)	Permissible range (CUE OUT L) (MONITOR OUT L)
1 kHz	+23 dBu	-57 dBu or below

[7] Maximum output (CUE OUT L, R)

Parameter: Assign the built-in oscillator only to STEREO A (L, R) and turn on CUE of STEREO A.

Input frequency	Output level	Permissible range	Distortion factor
1 kHz	+24 dBu	+24±0.5 dBu	0.006% or below

2-1-6. Output Level Difference

Parameters: Adjust the difference range of gain of following test items measured at 1 kHz as specified below.
STEREO A (L, R), STEREO B (L, R)
MIX OUT 1 - 24
MATRIX OUT 1 - 8
MONITOR OUT L, R, C
CUE OUT L, R

Permissible range
Within 2 dB

2-1-7. PHONES L, R (x2: 2 terminals on the panel surface and front surface)

Parameters: Input from INPUT (XLR) of CH1

Assign CH1 to STEREO A.

Set MONITOR SOURCE to STEREO A.

Set MONO of PAN NOMINAL POSITION to "L, R".

Set PAN of CH1 fully to the L side when measuring L and fully to the R side when measuring R.

[1] Gain (PHONES L, R (x2))

Input frequency	Input level	Specified output level	Permissible range
1 kHz	0 dBu	0 dBu	0±2 dBu

[2] f characteristic (PHONES L, R (x2))

Parameter: 1 kHz is used as reference of the permissible range.

Input frequency	Input level	Permissible range
20 Hz	0 dBu	-3~-0.5 dB
40 kHz	0 dBu	-3~+0.5 dB

[3] Distortion factor (PHONES L, R (x2))

Input frequency	Output level	Permissible range
1 kHz	0 dBu	0.15% or below

[4] Residual noise (PHONES L, R (x2))

Parameter: Turn off STEREO A.

PHONES level	Permissible range
MAX	-79 dBu or below
MIN	-86 dBu or below

[5] PHONES L, R (x2) level difference

Adjust the range of difference in the gain measured in item [1] above as follows.

Permissible range
Within 2 dB

[6] Maximum output (PHONES L, R (x2))

Parameter: Assign the built-in oscillator only to STEREO A (L, R) and output -27 dB.

Input frequency	Output level	Permissible range	Distortion factor
1 kHz	+3 dBu	+3±0.5 dBu	0.15% or below

[7] L to R crosstalk.

Parameter: Set PAN fully to the L side.

Input frequency	Output level (L)	Permissible range (R)
1 kHz	+3 dBu	-56 dBu or below

Perform the same check on the R side.

2-1-8. 2TR IN ANALOG 1 (L, R), 2TR IN ANALOG 2 (L, R)

Parameter: Use STEREO A (L) for this inspection.

[1] Gain (2TR IN ANALOG 1 (L, R), 2TR IN ANALOG 2 (L, R))

Input frequency	Input level	Specified output level	Permissible range
1 kHz	+4 dBu	+4 dBu	+4±2 dBu

[2] f characteristic (2TR IN ANALOG 1 (L, R), 2TR IN ANALOG 2 (L, R))

Parameter: 1 kHz is used as reference of the permissible range.

Input frequency	Input level	Permissible range
20 Hz	+4 dBu	-1.5~-0.5 dB
40 kHz	+4 dBu	-1.5~-0.5 dB

[3] Distortion factor (2TR IN ANALOG 1 (L, R), 2TR IN ANALOG 2 (L, R))

Input frequency	Output level	Permissible range
1 kHz	+22 dBu	0.007% or below

[4] Residual noise (2TR IN ANALOG 1 (L, R), 2TR IN ANALOG 2 (L, R))

Parameter: Short 2TR IN ANALOG 1, 2 with 150 Ω.

Permissible range
-82 dBu or below

[5] 2TR IN ANALOG 1 (L, R), 2TR IN ANALOG 2 (L, R) level difference

Adjust the range of difference in the gain measured in item [1] above as follows.

Permissible range
Within 1 dB

[6] Crosstalk between adjacent channels (2TR IN ANALOG 1, 2 (L, R))

Parameters: Input signals to one input channels only and make them output at the level specified in the table below from STEREO A (L). In this state, turn off the signal input channel and short the signal input channel and the input channel adjacent to it on both sides with 150 Ω. Then turn on only the input channel where the noise level is to be measured and measure the noise level of STEREO A (L).

Input frequency	Output level (2TR IN ANALOG 1L input)	Permissible range (2TR IN ANALOG 1R input)
1 kHz	+23 dBu	-57 dBu or below

Input frequency	Output level (2TR IN ANALOG 1R input)	Permissible range (2TR IN ANALOG 1L input) (2TR IN ANALOG 2R input)
1 kHz	+23 dBu	-57 dBu or below

Input frequency	Output level (2TR IN ANALOG 2L input)	Permissible range (2TR IN ANALOG 1R input) (2TR IN ANALOG 2R input)
1 kHz	+23 dBu	-57 dBu or below

Input frequency	Output level (2TR IN ANALOG 2R input)	Permissible range (2TR IN ANALOG 2L input)
1 kHz	+23 dBu	-57 dBu or below

2-1-9. CH IN 1 - 48 (PM5D only)

Parameter: Use STEREO A (L) for this inspection.
Turn of INSERT SW.

A. GAIN MAX, PAD OFF

[1] Gain (CH IN 1 - 48)

Input frequency	Input level	Specified output level	Permissible range
1 kHz	-60 dBu	+4 dBu	+4±2 dBu

[2] f characteristic (CH IN 1 - 48)

Parameter: 1 kHz is used as reference of the permissible range.

Input frequency	Input level	Permissible range
20 Hz	-60 dBu	-1.5~0.5 dB
40 kHz	-60 dBu	-1.5~0.5 dB

[3] Distortion factor (CH IN 1 - 48)

Input frequency	Output level	Permissible range
1 kHz	+22 dBu	0.02% or below

[4] Noise level EIN (CH IN 1 - 48)

Parameter: Short CH IN to be measured with 150Ω .

Permissible range
-63 dBu or below

If the measured value is out of the above permissible range, check for:

Measured value - (gain at 1kHz) -127

[5] Level difference (CH IN 1 - 48)

Adjust the range of difference in the gain measured in item [1] above as follows.

Permissible range
Within 2 dB

B. GAIN MIN, PAD ON

[1] Gain (CH IN 1 - 48)

Input frequency	Input level	Specified output level	Permissible range
1 kHz	+10 dBu	+4 dBu	+4±2 dBu

[2] Distortion factor (CH IN 1 - 48)

Input frequency	Output level	Permissible range
1 kHz	+22 dBu	0.007% or below

[3] Noise level (CH IN 1 - 48)

Parameter: Short CH IN to be measured with 150Ω .

Permissible range
-80 dBu or below

[4] INSERT OUT gain (CH IN 1 - 48)

Input frequency	Input level	Specified output level	Permissible range
1 kHz	+10 dBu	+4 dBu	+4±1.5 dBu

[5] INSERT OUT noise level (CH IN 1 - 48)

Parameter: Short CH IN to be measured with 150Ω .

Permissible range
-90 dBu or below

[6] Operation check of level meter (CH IN 1 - 48)

Parameters: Input the specified level to the channel to be measured.

It is possible to input to CH 1 - 48 simultaneously. Check turning on and off of PEAK and SIGNAL LEDs visually.

LED ON

LED level	Input frequency	Input level	Output level as reference (INSERT OUT)
PEAK	1 kHz	+29 dBu	+23 dBu
SIGNAL	1 kHz	-2 dBu	-8 dBu

LED OFF

LED level	Input frequency	Input level	Output level as reference (INSERT OUT)
PEAK	1kHz	+25 dBu	+19 dBu
SIGNAL	1kHz	-6 dBu	-12 dBu

C. Phantom voltage (CH IN 1 - 48)

With No.2 and No.3 pins of XLR shorted and 10 kΩ load connected between No.2 and No.1 pins, adjust the voltage when the phantom switch is turned on as follows.

Permissible range
DC 33~37V

Also, check that discharging starts quickly when the phantom switch is turned off.

2-1-10. ST IN 1 - 4 (L, R) (PM5D only)

Parameters: Set PAN of the L channel fully to the L side and that of the R channel fully to the R side. Use STEREO OUT A (L) when measuring the L channel and STEREO OUT A (R) when measuring the R channel.

A. GAIN MAX

[1] Gain (ST IN 1 - 4 (L, R))

Input frequency	Input level	Specified output level	Permissible range
1 kHz	-34 dBu	+4 dBu	+4±2 dBu

[2] f characteristic (ST IN 1 - 4 (L, R))

Parameter: 1 kHz is used as the reference of the permissible range.

Input frequency	Input level	Permissible range
20Hz	-34 dBu	-1.5~0.5 dB
40 kHz	-34 dBu	-1.5~0.5 dB

[3] Distortion factor (ST IN 1 - 4 (L, R))

Input frequency	Output level	Permissible range
1 kHz	+22 dBu	0.015% or below

[4] Noise level EIN (ST IN 1 - 4 (L, R))

Parameter: Short CH IN to be measured with 150Ω .

Permissible range
-65 dBu or below

If the measured value is out of the above permissible range, check for:

Measured value - (gain at 1kHz) -103

[5] Level difference (ST IN 1 - 4 (L, R))

Adjust the range of difference in the gain measured in item [1] above as follows.

Permissible range
Within 2 dB

B. GAIN MIN**[1] Gain (ST IN 1 - 4 (L, R))**

Input frequency	Input level	Specified output level	Permissible range
1 kHz	+10 dBu	+4 dBu	+4±2 dBu

[2] Distortion factor (ST IN 1 - 4 (L, R))

Input frequency	Output level	Permissible range
1 kHz	+22 dBu	0.007% or below

[3] Noise level (ST IN 1 - 4 (L, R))

Parameter: Short CH IN to be measured with 150Ω .

Permissible range
-80 dBu or below

[4] Operation check of level meter (ST IN 1 - 4 (L, R))

Parameters: Input the specified level to the channel to be measured.

It is possible to input to ST IN 1 - 4 (L, R) simultaneously.

Check turning on and off of PEAK and SIGNAL LEDs visually.

LED ON

LED level	Input frequency	Input level	Output level as reference (STEREO A)
PEAK	1 kHz	+29 dBu	+23 dBu
SIGNAL	1 kHz	-2 dBu	-8 dBu

LED OFF

LED level	Input frequency	Input level	Output level as reference (STEREO A)
PEAK	1kHz	+25 dBu	+19 dBu
SIGNAL	1kHz	-6 dBu	-12 dBu

2-1-11. CH IN 1 - 48, ST IN 1 - 4 (L, R) (PM5D - RH only)

Parameters: Use STEREO A (L) of CH IN 1 - 4 for this inspection. For ST IN 1 - 4 (L, R) inspection, set PAN of L channel fully to the L side and PAN of the R channel fully to the R side. Use STEREO OUT A (L) for L channel measurement and STEREO OUT A (R) for R channel measurement.

A. GAIN MAX**[1] Gain (CH IN 1 - 48, ST IN 1 - 4 (L, R))**

Input frequency	Input level	Specified output level	Permissible range
1 kHz	-62 dBu	+4 dBu	+4±2 dBu

[2] f characteristic (CH IN 1 - 48, ST IN 1 - 4 (L, R))

Parameter: 1 kHz is used as reference of the permissible range

Input frequency	Input level	Permissible range
20 Hz	-62 dBu	-1.5~0.5 dB
40 kHz	-62 dBu	-1.5~0.5 dB

[3] Distortion factor (CH IN 1 - 48, ST IN 1 - 4 (L, R))

Input frequency	Output level	Permissible range
1 kHz	+22 dBu	0.02% or below

[4] Noise level EIN (CH IN 1 - 48, ST IN 1 - 4 (L, R))

Parameter: Short CH IN to be measured with 150Ω .

Permissible range
-61 dBu or below

If the measured value is out of the above permissible range, check for:

Measured value - (gain at 1kHz) -127

[5] Level difference (CH IN 1 - 48, ST IN 1 - 4 (L, R))

Adjust the range of difference in the gain measured in item [1] above as follows.

Permissible range
Within 2 dB

B. GAIN MIN**[1] Gain (CH IN 1 - 48, ST IN 1 - 4 (L, R))**

Input frequency	Input level	Specified output level	Permissible range
1 kHz	+10 dBu	+4 dBu	+4±2 dBu

[2] Distortion factor (CH IN 1 - 48, ST IN 1 - 4 (L, R))

Input frequency	Output level	Permissible range
1 kHz	+22 dBu	0.007% or below

[3] Noise level (CH IN 1 - 48, ST IN 1 - 4 (L, R))

Parameter: Short CH IN, ST IN to be measured with 150Ω .

Permissible range
-80 dBu or below

C. Phantom voltage (CH IN 1 - 48, ST IN 1 - 4 (L, R))

With No.2 and No.3 pins of XLR shorted and 10 kΩ load connected between No.2 and No.1 pins, adjust the voltage when the phantom switch is turned on as follows.

Permissible range
DC 33~37V

Also, check that discharging starts quickly when the phantom switch is turned off.

2-1-12. TALKBACK

Parameters: Use STEREO A (L) for this inspection.
Turn on TALKBACK SW.

[1] Gain

Input frequency	Input level	Specified output level	Permissible range
1 kHz	-50 dBu	+4 dBu	+4±2 dBu

[2] f characteristic

Parameter: 1 kHz is used as the reference of the permissible range.

Input frequency	Input level	Permissible range
20 Hz	-50 dBu	-1.5~0.5 dB
40 kHz	-50 dBu	-1.5~0.5 dB

[3] Distortion factor

Input frequency	Output level	Permissible range
1 kHz	+22 dBu	0.01% or below

[4] Noise level EIN

Parameter: Short CH IN to be measured with 150Ω .

Permissible range
-70 dBu or below

If the measured value is out of the above permissible range, check for:

Measured value - (gain at 1kHz) -124

[5] Phantom voltage

With No.2 and No.3 pins of XLR shorted and 10 kΩ load connected between No.2 and No.1 pins, adjust the voltage when the phantom switch is turned on as follows.

Permissible range
DC 33~37V

Also, check that discharging starts quickly when the phantom switch is turned off.

2-2. ANALOG IN/OUT WORD CLOCK INT 48 kHz Inspection

2-2-1. STEREO A (L, R), STEREO B (L, R)

Parameters: Input from INPUT (XLR) of CH1.
Assign CH1 to STEREO A, B.

[1] Distortion factor (STEREO A (L, R), STEREO B (L, R))

Input frequency	Output level	Permissible range
1 kHz	+22 dBu	0.015% or below

[2] Residual noise (STEREO A (L, R), STEREO B (L, R))

Parameter: Turn off STEREO A, B.

Permissible range
-86 dBu or below

2-2-2. MIX OUT 1 - 24

Parameters: Input from INPUT (XLR) of CH1
Turn on the channel to be measured only.
Assign CH1 to MIX 1-24 and set all MIX SEND LEVEL to NOMINAL (0 dB).

[1] Distortion factor (MIX OUT 1 - 24)

Input frequency	Output level	Permissible range
1 kHz	+22 dBu	0.015% or below

[2] Residual noise (MIX OUT 1 - 24)

Parameter: Turn off MIX 1 - 24.

Permissible range
-86 dBu or below

2-2-3. MATRIX OUT 1 - 8

Parameters: Input from INPUT (XLR) of CH1
Turn on the channel to be measured only.
Assign CH1 to MIX 1, MIX1 to MATRIX 1 - 8 and set all MATRIX SEND LEVEL to NOMINAL (0 dB).

[1] Distortion factor (MATRIX OUT 1 - 8)

Input frequency	Output level	Permissible range
1 kHz	+22 dBu	0.015% or below

[2] Residual noise (MATRIX OUT 1 - 8)

Parameter: Turn off MATRIX 1 - 8.

Permissible range
-86 dBu or below

2-2-4. MONITOR OUT L, R, C

Parameters: Input from INPUT (XLR) of CH1.
Assign CH1 to MONITOR INSERT INPUT L, R, C and turn on INSERT.
Turn on MONITOR SW.

[1] Distortion factor (MONITOR OUT L, R, C)

Input frequency	Output level	Permissible range
1 kHz	+22 dBu	0.015% or below

[2] Residual noise (MONITOR OUT L, R, C)

Parameter: Turn off MONITOR INSERT.

MONITOR level	Permissible range
MAX	-86 dBu or below

2-2-5. CUE OUT L, R,

Parameters: Input from INPUT (XLR) of CH1.
Turn on CUE of CH1.
Set INPUT CUE to POST PAN.

[1] Distortion factor (CUE OUT L, R)

Input frequency	Output level	Permissible range
1 kHz	+22 dBu	0.015% or below

[2] Residual noise (CUE OUT L, R)

Parameter: Turn off CUE of CH1.

CUE level	Permissible range
MAX	-86 dBu or below

2-2-6. PHONES L, R (x2: 2 terminals on the panel surface and front surface)

Parameters: Input from INPUT (XLR) of CH1.
 Assign CH1 to STEREO A.
 Set MONITOR SOURCE to STEREO A.
 Set MONO of PAN NOMINAL POSITION to "L R".
 Set PAN of CH1 fully to the L side when measuring L and fully to the R side when measuring R.

[1] Distortion factor (PHONES L, R (x2))

Input frequency	Output level	Permissible range
1 kHz	0 dBu	0.15% or below

[2] Residual noise (PHONES L, R (x2))

Parameter: Turn off STEREO A.

PHONES level	Permissible range
MAX	-79 dBu or below

2-2-7. 2TR IN ANALOG 1 (L, R), 2TR IN ANALOG 2 (L, R)

Parameter: Use STEREO A (L) for this inspection.

[1] Distortion factor (2TR IN ANALOG 1 (L, R), 2TR IN ANALOG 2 (L, R))

Input frequency	Output level	Permissible range
1 kHz	+22 dBu	0.015% or below

[2] Residual noise (2TR IN ANALOG 1 (L, R), 2TR IN ANALOG 2 (L, R))

Parameter: Short 2TR IN ANALOG 1, 2 with 15Ω .

Permissible range
-82 dBu or below

2-2-8. CH IN 1 - 48 (PM5D only)

Parameter: Use STEREO A (L) for this inspection.
 Turn on INSERT SW.
 Set GAIN to MIN and PAD to ON.

[1] Distortion factor (CH IN 1 - 48)

Input frequency	Output level	Permissible range
1 kHz	+22 dBu	0.015% or below

[2] Noise level (CH IN 1 - 48)

Parameter: Short CH IN to be measured with 15Ω .

Permissible range
-82 dBu or below

2-2-9. ST IN 1 - 4 (PM5D only)

Parameters: Set PAN of the L channel fully to the L side and that of the R channel fully to the R side. Use STEREO OUT A (L) when measuring the L channel and STEREO OUT A (R) when measuring the R channel.
 Set GAIN to MIN.

[1] Distortion factor (ST IN 1 - 4 (L, R))

Input frequency	Output level	Permissible range
1 kHz	+22 dBu	0.015% or below

[2] Noise level (ST IN 1 - 4 (L, R))

Parameter: Short CH IN to be measured with 15Ω .

Permissible range
-82 dBu or below

2-2-10. CH IN 1 - 48, ST IN 1 - 4 (L, R) (PM5D-RH only)

Parameters: Use STEREO A (L) of CH IN 1 - 4 for this inspection.

For ST IN 1 - 4 (L, R) inspection, set PAN of L channel fully to the L side and PAN of the R channel fully to the R side. Use STEREO OUT A (L) when measuring the L channel and STEREO OUT A (R) when measuring the R channel.

Set GAIN to MIN.

[1] Distortion factor (CH IN 1 - 48, ST IN 1 - 4 (L, R))

Input frequency	Output level	Permissible range
1 kHz	+22 dBu	0.015% or below

[2] Noise level (CH IN 1 - 48, ST IN 1 - 4 (L, R))

Parameter: Short CH IN to be measured with 15Ω .

Permissible range
-82 dBu or below

2-2-11. TALKBACK

Parameters: Use STEREO A (L) for this inspection.
 Turn on TALKBACK SW.

[1] Distortion factor

Input frequency	Output level	Permissible range
1 kHz	+22 dBu	0.015% or below

[2] Noise level EIN

Parameter: Short CH IN to be measured with 15Ω .

Permissible range
-70 dBu or below

If the measured value is out of the above permissible range, check for:

Measured value - (gain at 1kHz) -124

3. DIGITAL IN/OUT Characteristic Inspection

3-1. 2TR OUT DIGITAL 1, 2, 3

Parameters: Use System Two.
 Input from CH1 IN.
 Set GAIN to MIN and PAD to ON (PM5D only)

A. WORD CLOCK INT 96 kHz

Parameters: Adjust WORD CLOCK INT to 96 kHz.
 Turn off 2TR OUT DIGITAL SRC.

[1] Gain (all of 2TR OUT DIGITAL 1, 2, 3)

Input frequency	Input level	Specified output level	Permissible range
1 kHz	+10 dBu	-20 dBFS	-20±2 dBFS

[2] f characteristic (2TR OUT DIGITAL 1)

Parameter: 1 kHz is used as reference of the permissible range

Input frequency	Input level	Permissible range
20 Hz	+10 dBu	-1.0~0.5 dB
40 kHz	+10 dBu	-1.0~0.5 dB

[3] Distortion factor (2TR OUT DIGITAL 1)

Input frequency	Output level	Permissible range
1 kHz	-2 dBFS	0.005% or below

B. WORD CLOCK INT 48 kHz

Parameters: Adjust WORD CLOCK INT to 48 kHz.
Turn off 2TR OUT DIGITAL SRC.

[1] Distortion factor (2TR OUT DIGITAL 1)

Input frequency	Output level	Permissible range
1 kHz	2 dBFS	0.002% or below

C. SRC Operation

Parameters: Adjust WORD CLOCK INT to 96 kHz.
Turn on SRC of the channel to be measured and set the frequency to 44.1 kHz.

[1] FS (all of 2TR OUT DIGITAL 1, 2, 3)

Input frequency	Output level	Specified frequency	Permissible range
1 kHz	-2 dBFS	44.1 kHz	44.1 kHz±100 Hz

[2] Distortion factor (all of 2TR OUT DIGITAL 1, 2, 3)

Input frequency	Output level	Permissible range
1 kHz	-2 dBFS	0.002% or below

3-2. 2TR IN DIGITAL 1, 2, 3

Parameters: Use System Two.
Use STEREO A (L, R) for this inspection.
Select WORD CLOCK as follows.
When testing 2TR IN DIGITAL 1: 2TRD1
When testing 2TR IN DIGITAL 2: 2TRD2
When testing 2TR IN DIGITAL 3: 2TRD3

A. 96 kHz

Parameters: Adjust the frequency (Sample Rate) of System Two to 96 kHz.
Turn off 2TR IN DIGITAL SRC.

[1] Gain (all of 2TR IN DIGITAL 1, 2, 3)

Input frequency	Input level	Specified output level	Permissible range
1 kHz	-20 dBFS	+4 dBu	+4±2 dBu

[2] f characteristic (2TR IN DIGITAL 1)

Parameter: 1 kHz is used as reference of the permissible range

Input frequency	Input level	Permissible range
20 Hz	-20 dBFS	-1.0~0.5 dB
40 kHz	-20 dBFS	-1.0~0.5 dB

[3] Distortion factor (2TR IN DIGITAL 1)

Input frequency	Output level	Permissible range
1 kHz	+22 dBu	0.006% or below

B. 48 kHz

Parameters: Adjust the frequency (Sample Rate) of System Two to 48 kHz.
Turn off 2TR IN DIGITAL SRC.

[1] Distortion (2TR IN DIGITAL 1)

Input frequency	Output level	Permissible range
1 kHz	+22 dBu	0.02% or below

C. SRC Operation

Parameters: Adjust WORD CLOCK INT to 96 kHz.
Use 2TR OUT DIGITAL 1 for this inspection.
Set the frequency (Sample Rate) of System Two to 44.1 kHz.
Turn on SRC of the channel to be measured.

[1] FS (all of 2TR IN DIGITAL 1, 2, 3)

Input frequency	Input level	Specified frequency	Permissible range
1 kHz	-20 dBFS	96 kHz	96 kHz±100 Hz

[2] Distortion factor (all of 2TR IN DIGITAL 1, 2, 3)

Input frequency	Output level	Permissible range
1 kHz	-20 dBFS	0.002% or below

3-3. WORD CLOCK IN, 2TR IN DIGITAL 1, 2, 3 PLL operation range

Parameters: Use System Two.
Use STEREO A (L, R) for this inspection.
Select WORD CLOCK as follows.
When testing WORD CLOCK: WC IN
When testing 2TR IN DIGITAL 1: 2TRD1
When testing 2TR IN DIGITAL 2: 2TRD2
When testing 2TR IN DIGITAL 3: 2TRD3
Input from CH1 IN.
Set GAIN to MIN and PAD to ON (PM5D only).

A. 96 kHz±6% (101.76 kHz)

Parameters: When testing WORD CLOCK IN, set the frequency of the oscillator to 96 kHz + 6%.
When testing 2TR IN DIGITAL 1, 2, 3, set the frequency (Sample rate) of System Two to 96 kHz + 6%.

[1] Distortion factor

(all of WORD CLOCK IN, 2TR IN DIGITAL 1, 2, 3)

Input frequency	Output level	Permissible range
1 kHz	+22 dBu	0.006% or below

B. 44.1 kHz - 10% (39.69 kHz)

Parameters: When testing WORD CLOCK IN, set the frequency of the oscillator to 44.1 kHz - 10%.
When testing 2TR IN DIGITAL 1, 2, 3, set the frequency (Sample rate) of System Two to 44.1 kHz - 10 %.

[1] Distortion factor

(all of WORD CLOCK IN, 2TR IN DIGITAL 1, 2, 3)

Input frequency	Output level	Permissible range
1 kHz	+22 dBu	0.02 % or below

3-4. Jitter measurement

Parameters: Use System Two.
Select Sec, PK.
Select 700 Hz to 100 kHz for BW.
Use 2TR DIGITAL OUT 1 for this inspection.

A. WORD CLOCK INT

Parameter: Select the WORD CLOCK value according to the following table.

[1] Jitter

WORD CLOCK	Permissible range
INT 44.1 kHz	2n sec or less
INT 48 kHz	2n sec or less
INT 88.2 kHz	2n sec or less
INT 96 kHz	2n sec or less

B. WORD CLOCK INT

Parameters: Select WORD CLOCK as follows.
When testing WORD CLOCK IN: WC IN
When testing 2TR IN DIGITAL 1: 2TRD1
When testing 2TR IN DIGITAL 2: 2TRD2
When testing 2TR IN DIGITAL 3: 2TRD3
When testing WORD CLOCK IN, set the frequency of the oscillator as in the table below.
When testing 2TR IN DIGITAL 1, 2, 3, set the frequency (Sample Rate) of System Two as given in the table below.

[1] Jitter (all of WORD CLOCK IN, 2TR IN DIGITAL 1, 2, 3)

WORD CLOCK	Permissible range
44.1 kHz	5n sec or less
48 kHz	5n sec or less
88.2 kHz	5n sec or less
96 kHz	5n sec or less

4. Fader Inspection

Parameter: Use the "SERVICE1.PM5" file for the scene data for fader inspection.

* Download it from the YSIS home page.

Inspection:

Recall scenes 1 to 4 once each to operate the fader for the following check.

Judgment criteria 1:

All faders should be free from vibration and excessively slow operation.

Judgment criteria 2:

The fader position should be as follows.

- [1] When all faders are at the uppermost place
All faders should be within 2mm from the 10dB index.
- [2] When all faders are at the lowermost place
All faders should be within 2mm from the -9 index.

5. Sound check

Check the following items by listening.

[1] ANALOG INPUT, ANALOG OUTPUT

Parameters: Use STEREO A (L, R) for inspection of CH1, CH14, CH25, CH38.
Adjust WORD CLOCK to INT96 kHz.

[2] 2TR IN DIGITAL 1, 2, 3

Parameters: Adjust WORD CLOCK to INT96 kHz.
Use STEREO A (L, R) for this inspection.
Set the frequency (Sample rate) of System Two to 44.1 kHz.
Turn on SRC of the channel to be measured.

[3] EFFECT function (DSP6 operation check)

Parameters: Use the "SERVICE1.PM5" file for "sound scene data".

- * **Download it from YSISS home page.**
Set WORD CLOCK to INT96 kHz.
Input the music signal from ANALOG INPUT CH1 and adjust the GAIN knob so that the STEREO METER OVER does not light up for any scene.
Listen to STEREO OUT or PHONES OUT.

Inspection:

Recall scene 5 (Reverb) and check the signal for at least 15 seconds.

Judgment criteria 1:

The EFFECT sounds must be output.

Judgment criteria 2:

The output should be free from noise.

In the same manner, recall and inspect by hearing scenes 6 through 36.

The scene numbers and EFFECT types are as follows.

Scene No.	EFFECT No.	EFFECT type
5	1	Reverb
6	1	Symphonic
7	1	HQ Pitch
8	1	Dynamic filter
9	2	Reverb
10	2	Symphonic
11	2	HQ Pitch
12	2	Dynamic filter
13	3	Reverb
14	3	Symphonic
15	3	HQ Pitch
16	3	Dynamic Filter
17	4	Reverb
18	4	Symphonic
19	4	HQ Pitch
20	4	Dynamic Filter

Scene No.	EFFECT No.	EFFECT type
21	5	Reverb
22	5	Symphonic
23	5	HQ Pitch
24	5	Dynamic filter
25	6	Reverb
26	6	Symphonic
27	6	HQ Pitch
28	6	Dynamic filter
29	7	Reverb
30	7	Symphonic
31	7	HQ Pitch
32	7	Dynamic Filter
33	8	Reverb
34	8	Symphonic
35	8	HQ Pitch
36	8	Dynamic Filter

6. Fan Operation Check

Check to ensure that 2 rear fans are running while the power is turned on.

7. Lamp Voltage Measurement

Measure the voltage between pins No.3 and No.4 at 3 places on the rear panel.

Measure the voltage when the LAMP DIMMER knob is at MAX and MIN positions.

	MAX	MIN
Permissible range	11.5±1 V	2.5±1 V

1



2

3

1



2



3

6

7

5 6

① ④

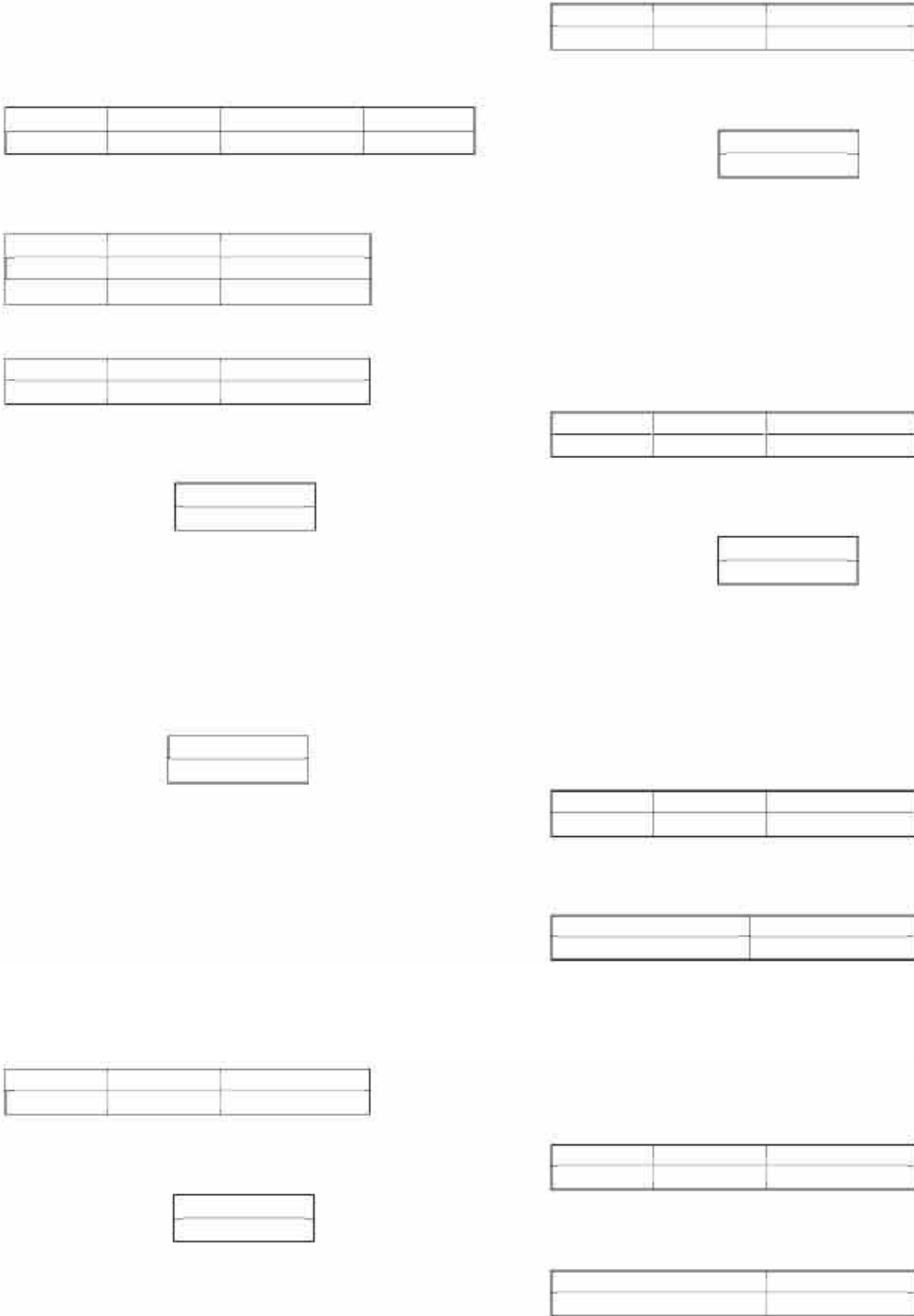
8

4

5

- ①
- ②
- ③
- ④

PM5D/PM5D-RH



PM5D/PM5D-RH

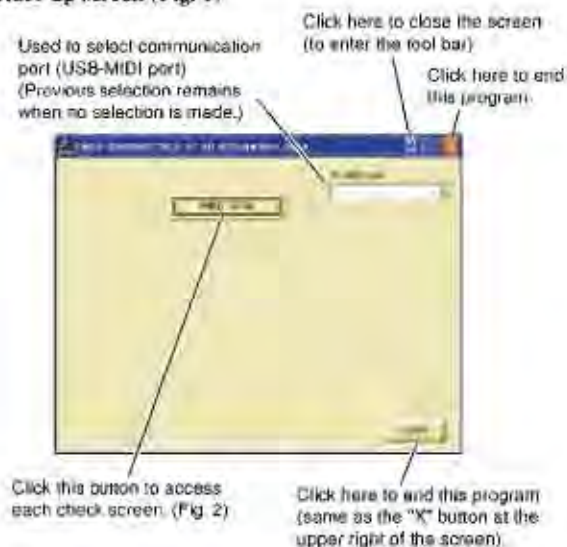
--	--	--

■ SERVICE CHECK PROGRAM

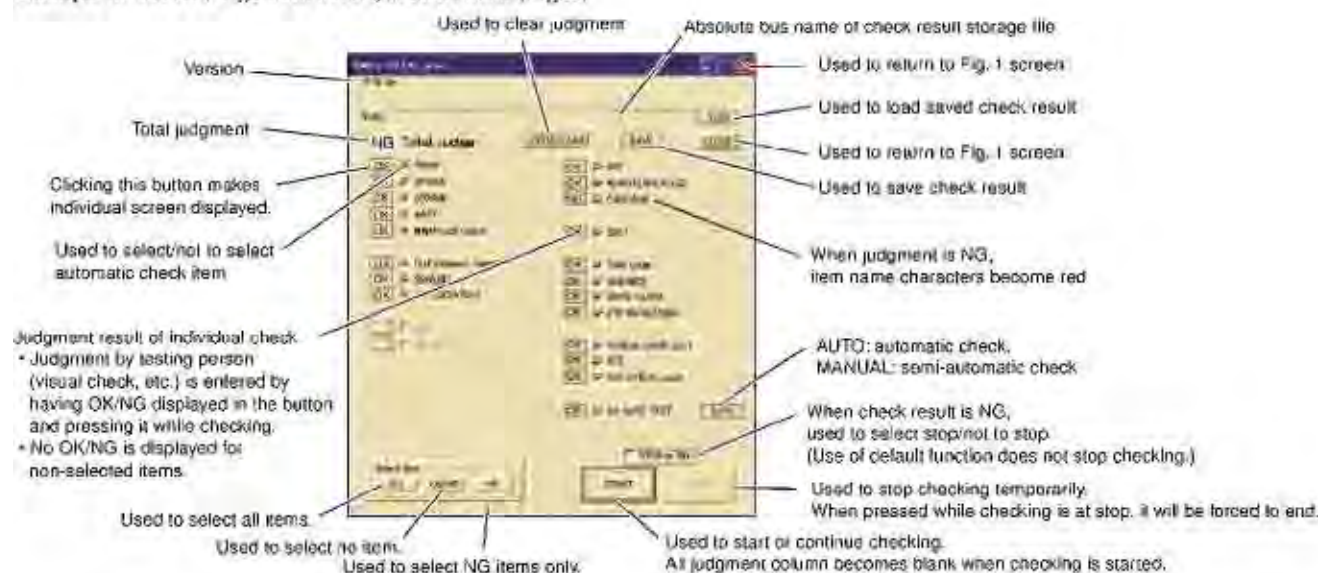
● PM5D Test Program

- a. Use this Test Program to execute the service check for PM5D and PM5D-RH.
 - * *The program can be downloaded from the YSISS Home Page.*
- b. Use this test program with the OS: Windows 98/ME/2000/XP Immediately after start-up, the screen as shown in Fig. 1 appears.
- c. Items commonly applicable to this check
 - 1) When there is no communication response as an individual judgment of each check. "Communication error" appears on the screen and the individual judgment becomes NG.
 - 2) With some check items, the maximum number of NGs is 20 when the check results in NG many times.
 - 3) There are two types of this model, PM5D and PM5D-RH. In this manual, "PM5D" refers to both PM5D and PM5D-RH types, while "PM5D-RH" refers to PM5D-RH type only.

Start-up screen (Fig. 1)

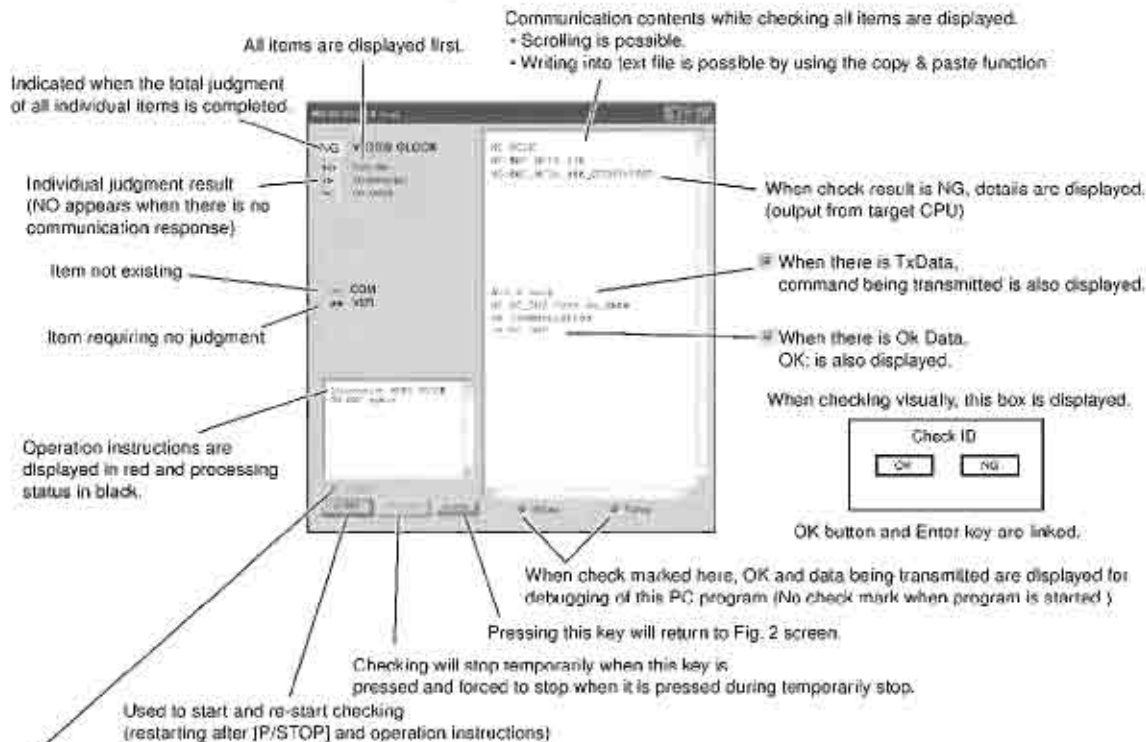


Example of screen for general check, P.C.B. check (Fig. 2)



- 1) Automatic mode: When the [START] key is pressed, checking selected items will be executed sequentially from the upper left downward. With [STOP on NG] selected, checking is stopped temporarily when judgment is NG. Checking stops temporarily when the [STOP] key is pressed and stops when it is pressed again. Checking is re-started when the [START/CONTINUE] key is pressed.
- 2) Manual mode: When the OK or NG displayed button (Fig. 2) is pressed, the individual test screen will be displayed.
- 3) For the check contents of all items and check items of each circuit board, refer to "List of Check Items" in later pages.
- 4) For the check unapplicable items in each check screen, their characters disappear (gray out).
- 5) The file where the check results are stored should be named "Storage file name.csv". (Only general check results will be saved.)
- 6) It is possible to save the communication results (right side of Fig. 3) as a file. (up to 30KB) It should be named "Storage file name.txt".
- 7) AD AUTO TEST and AD TRIM can be executed only with PM5D-RH. Use of PM5D will cause the characters to gray out.

Example A of individual check screen (when checking in automatic mode) (Fig. 3)



Auto Next function

- When checking is started using the [START] button in Fig. 2, the Auto Next function is turned on and checking proceeds automatically.
- When checking is started using the [OK/NG] button in Fig. 2, the Auto Next function is not turned on. In Fig. 3, checking is started using the [START] button.
- To re-check the NG items, press the [P/STOP], turn off the Auto Next function and press the [START] button, and the check on this screen will be executed.

● List of check items (Items subject to general check of digital section and each circuit board check)

Item	Check name	Outline of check item	Judgment
1-1	SRAM	Check the data bus and address bus of SRAM	Auto
1-2	DPRAM	Check the data bus and address bus of DPRAM	Auto
1-3	SDRAM	Check the data bus and address bus of SDRAM	Auto
1-4	BATT	Check the voltage of the backup battery	Auto
1-5	MAIN-SUB Comm	Check transmission/reception by loop-backing MAIN-SUB communication	Auto
1-6	PLL2	Check PLL2 (master, slave) registers by reading/writing them	Auto
1-7	DSP6,SIO	Check each DSP6 register by reading/writing it, check SIO for connection	Auto
1-8	DSP7,SIO,ATSC2	Check each DSP7 register by using reading/writing fit, check SIO, ATSC2 for connection	Auto
1-9	REMOTE	Check transmission/reception by loop-backing REMOTE-RS422 terminal	Auto
1-10	CASCADE	Check CASCADE OUT -> IN transmission/reception	Auto
1-11	SLOT	Check each signal of SLOT and power supply voltage	Auto
1-12	TIME Code	Check SMPTE:TIME code input	Auto
1-13	USB MIDI	Check initialization of USB circuit by loop-backing through external PC	Semi-auto
1-14	WORD CLOCK	Check PLL LOCK by counting Fs of WCLK OUT at WCLK IN	Semi-auto
1-15	2TR IN/OUT(DIO)	Check 2TR IN/OUT DIGITAL by loop-backing it	Semi-auto
1-16	PC CARD SLOT	Check control line by reading/writing ATA CARD	Auto
1-17	RTC	Obtain and set Real Time Clock of LCD CPU	Semi-auto
1-18	LCD CHECK result	Obtain KBD, MOUSE check results from LCD CPU	Auto
1-19	AD	Execute AUTO TEST of built-in AD3 P.C.B.	Auto

Item	Check name	Outline of Check Item	Judgment
1-20	LCD	Display test pattern on LCD	Visual check
1-21	KBD, MOUSE I/F	Check KEYBOARD, MOUSE	Visual check
1-22	All ON	Check that all LED/7 seg/NAME light up	Visual check
1-23	ON by color	Check that LED/7 seg/NAME classified by color light up properly	Visual check
1-24	ON individually	Check that LEDs light up by block/line/element	Visual check
1-25	Operational element input/drive	Check input/drive of SW/ENCODER/FADER	Visual check

1. General Check

Preparation

1) Object to be checked: PM5D

2) PC

DOS/V PC 1 set (with P-200 MHz or more, Windows98, ME, 2000, XP, USBx1, COM1 or COM2)

YAMAHA USB-MIDI driver should be installed in advance. (When installing it, the PC and PM5D must be connected. Also, PM5D.inf file is required for the driver software. For detailed information for installation, please refer to Readme.txt supplied with the driver and instruction manual of the existing product.)

3) Tools required for check

MY SLOT CHECK Ver.2 check jigs (AAX59920): 4

USB MIDI INTERFACE (UX96 or UX16): 1

REMOTE ↔ RS422 check jig cable : 1

4) Cable

CANNON (2TRD 1, 2) male ↔ female : 2

COAXIAL (2TRD 3) : 1

BNC (Word clock) : 2

D-SUB 25 pin (GPI) male ↔ male straight all connected : 1

USB : 1

MIDI : 2

CANNON (SMPTE) male ↔ female : 1

D-SUB 68 pin (CASCADE) male ↔ male straight all connected : 2

5) Others

PCMCIA Card : 1

TIME CODE generator

(It is recommended to play back the TIME CODE recorded CD with the CD player.)

PS/2 keyboard

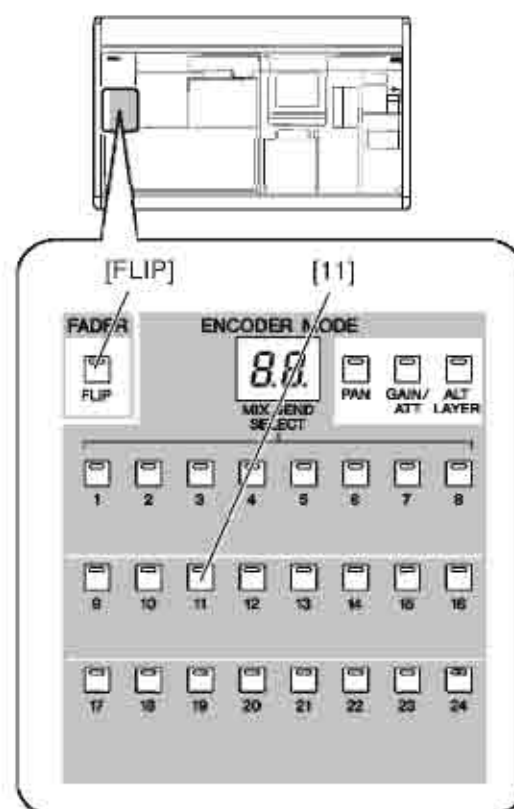
PS/2 mouse

TRACK PAD

Tester (to measure the voltage of the voltmeter MY SLOT CHECK Ver.2 check jig)

6) How to start on PM5D side

Within 5 seconds after turning on the power, keep pressing [FLIP] and [MIX SEND SEL 11], and the test mode will start up.

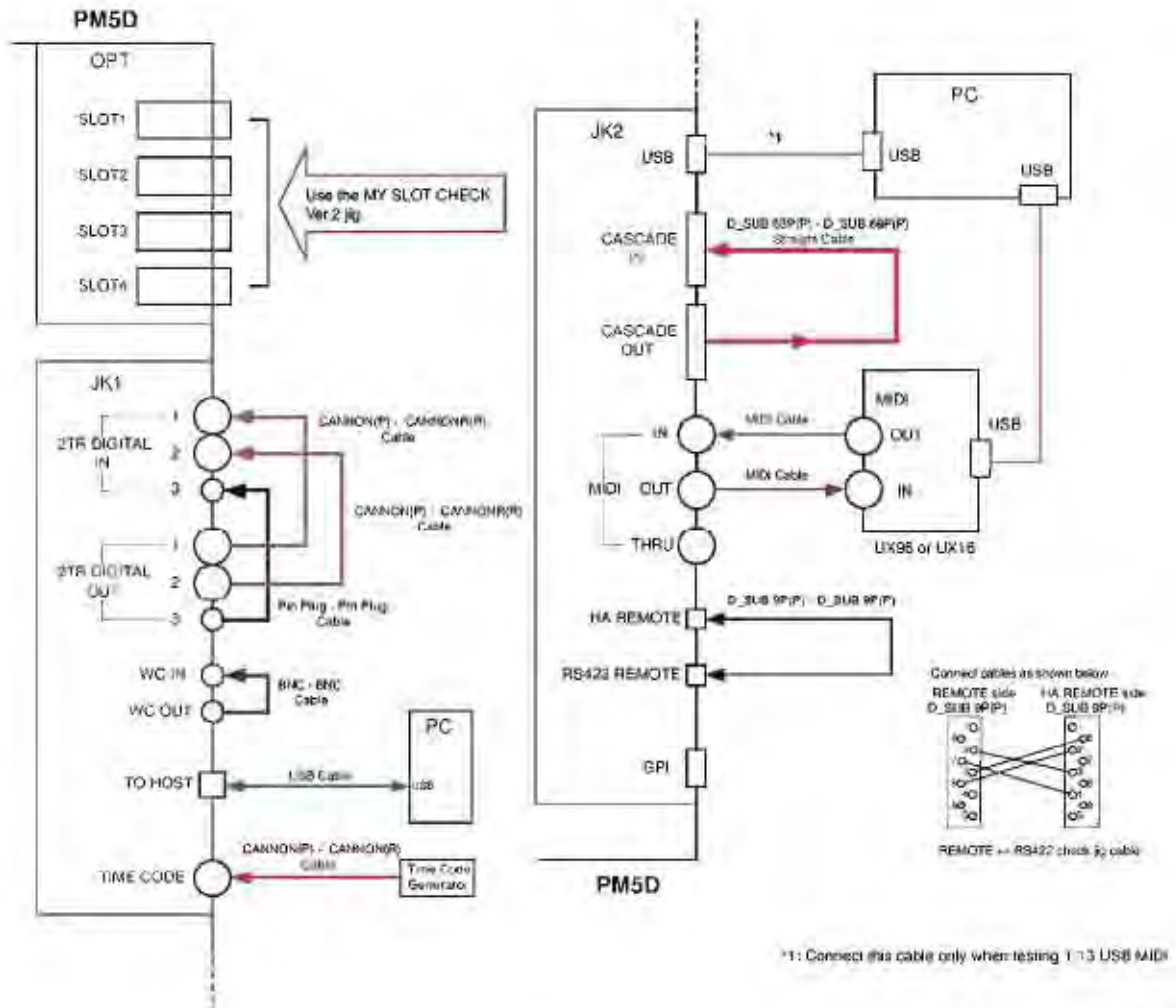


7) How to start PC

Activate PM5DTST_user.EXE through Windows. Set the PC MIDI Port on the start-up screen to USB MIDI INTERFACE port. (This setting will remain as set initially.) Also, when checking USB, start up MidiMoni.exe.

8) Connection

Connection diagram for general check



1-1 SRAM test

Contents : Checks the address data bus line of SRAM.

Example of execution screen.



1-2 DPRAM test

Contents : Checks the address data bus line of DPRAM

Example of execution screen



1-3 SDRAM test

Contents : Checks the address data bus line of SDRAM. It takes time to check each item as re-starting is required after execution of the SDRAM check.

Example of execution screen



1-4 BATT test

Contents : Checks the voltage of the backup battery automatically by measuring it in A/D.

Example of execution screen



0.0[V] to 0.5[V]: "NG: BATT NONE" (No battery set)

0.5[V] to 2.5[V]: "NG: BATT (z.zzv)" (The voltage is lower than the specified value.)

2.5[V] or more: "OK: BATT (x.xxv)"

1-5 MAIN-SUB Communication test

Contents

- 1) Checks if the version can be received through the SUB → MAIN communication port by sending the version acquisition command from the MAIN → SUB communication port.
- 2) Checks if SUB enters the Update mode.
Both checks are executed on SUBL and SUB R respectively.

Example of execution screen



1-6 PLLP2 test

Contents : Checks Reg. (00, 0f, 10, 16) of PLLP2 by writing/reading and comparing them.

Checks A0..A4 and D0.....D15.

Both checks are executed on Master and Slave respectively.

Example of execution screen



1-7 DSP6, SIO test

1-8 DSP7, SIO, ATSC2 test

Contents : Checks the condition of Data BUS and Address BUS by writing/reading the register of each DSP6 and DSP7.

Compares and checks by writing/reading DRAM and SDRAM of each IDSP6 and DSP7 through the register.

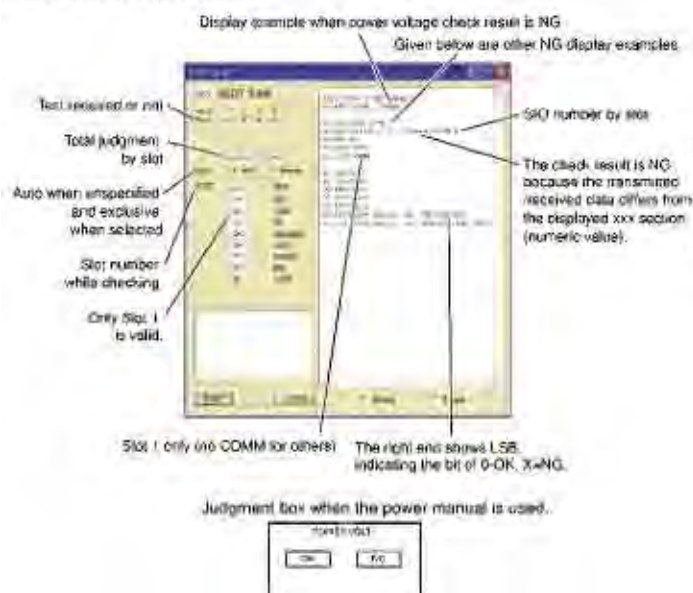
Checks the SIO connection between DSPs and with ATSC2 by transmitting and receiving signals.

1-11 SLOT test

Contents : Checks the I/O, power voltage of SCIO, Option SLOT1 to SLOT4 of MAIN CPU.

Preparation : Insert the MY SLOT CHECK Ver.2 check jigs into SLOTS 1 to 4.

Example of execution screen



- 1) Checking SLOT power voltage
Use of the MY SLOT CHECK Ver.2 check jig makes it possible to check the SLOT power voltage automatically. For this check, the judgment voltage of the MY SLOT CHECK Ver.2 check jig must be adjusted as specified before the SLOT test. Also, it is possible to take measurement at each voltage terminal of the MY SLOT CHECK Ver.2 check jig using a tester with the power check box set to Manual.
- 2) Checking SIO (IN=all DSP7)
IN1~4, IN5~8, IN9~12, IN13~16 from SLOT1~4 are connected to SI12..SI27 of #1(ICB01)~#11(ICB11) respectively but since ATSC->DSP7(#1~#11) has been checked in the DSP7 test, only #1(ICB01) is checked here.
- 3) The COM test uses 31.25Kbps and 0x00, 0x55, 0xaa, 0xff (transmission and reception of total of 4 byte)

1-12 TIME code test

Contents : The received TIME code is displayed it on the screen.

When the elapsed time consists of discontinuous frames of more than the specified frame number (unit: 1/30 sec.), the check result is NG (automatic check). Also, while measuring for a certain period of time, when the difference between the measured time and the elapsed time of the clock in the PC has exceeded the specified value, the check result is NG (automatic check).

Preparation : Input the Time code of the frame rate 30 through the TIME CODE generator.

Example of execution screen

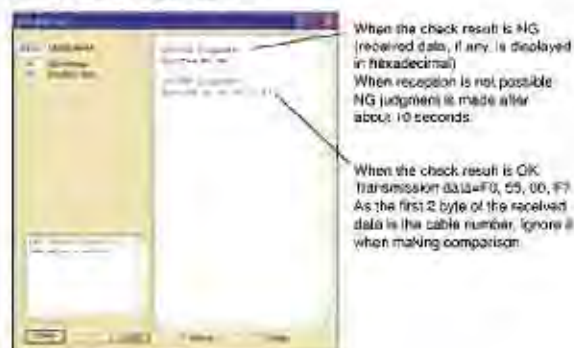


1-13 USB MIDI test

Contents : Checks USB after initialization automatically by loop-backing the software on the PC.

Preparation : Connect the USB connector of the main unit and the external PC using the general purpose USB cable.

Example of execution screen



1-14 WORD CLOCK test

Contents : Checks WORD CLOCK OUT → IN automatically by counting it at PLLP2.
 (Fs=44, 1/48/88 2/96kHz)
 Checks PLL LOCK by reading the UNLOCK signal when the clock has been stabilized after the FS change (after about 200ms).

Preparation : Connect WORD CLOCK OUT and IN of the main unit.

Example of execution screen



- 1) Various frequencies for the PLL LOCK check cause clocks of the following frequencies to be generated in IC136 (Slave) and IC137 (Master) in the DS P.C.B.
 FS=44.1kHz-10%, 44.1kHz, 48kHz, 48kHz+6%, 88.2kHz-10%, 88.2kHz, 96kHz, 96kHz+6%

1-15 2TR IN/OUT (DIO) test

Contents : Checks 2TR OUT DIGITAL 1, 2, 3 → 2TR IN DIGITAL 1, 2, 3 by using DSP SIO.
 Checks the SRC function of 2TR OUT DIGITAL 1, 2, 3 by using 2TR IN DIGITAL 1, 2, 3.

Preparation : Connect 2TR OUT DIGITAL 1-3 and 2TR IN DIGITAL 1-3 respectively.

Example of execution screen



- 1) Note on 2TR IN DIGITAL 1, 2, 3
 Although 2TR IN DIGITAL 1, 2 and 2TR IN DIGITAL 3 are connected to S130 and S131 of ATSC2 → DSP7 #1(ICB01)~#11(ICB11), only #1(ICB01) is checked here because ATSC2 → DSP7(#1~#11) has already been checked in DSP7 test.
- 2) The DIR lock flag is read by FPGA (judged about 100ms after SIO transmission/reception is started)

- 3) RUN bit (0x40 of Reg4) is checked by writing/reading DIT, DIR, CDIN, CDOUT

1-16 PC CARD SLOT test

Contents : Checks the ATA card inserted in the PCMCIA CARD slot by writing/reading.
 Also, checks the control line.

Example of execution screen



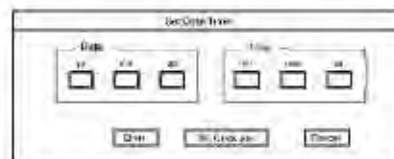
1-17 RTC test

Contents : Makes settings for the Real Time clock of LCD CPU.

Example of execution screen

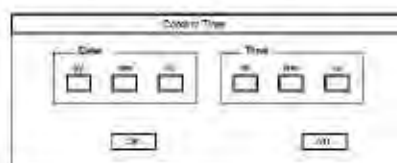


- 1) Dialog box of Set Date Time
 Input the date and time and press [Enter].
 Or, the date and time preset in the PC is input automatically when the [PC Clock Set] is pressed. (To use this function, the date and time settings of the PC clock must be correct.)



2) Dialog box of Get Date Time

Check that the date and time are correct and press [OK].



1-18 LCD CHECK result test

Contents :Displays the LCD check results for the keyboard, mouse, track pad, DPRAM

Example of execution screen



- 1) Prior to this check, make sure that these LEDs on the keyboard respond properly by pressing [CAPS LOCK] of the keyboard.
- 2) Prior to this check, make sure visually that the LCD backlight is turned on/off with the right switch and the brightness of the backlight is changed with the left switch, using TRACK pad for the general check. (This checks both the MOUSE switch and backlight control section.)
- 3) Unless above 2 items are confirmed, the keyboard and mouse checks will not be OK.

1-19 AD test

Contents : Executes AUTO TEST and TRIM of the AD3 P.C.B. only for PM5D-RH.

Preparation : Input 1kHz, +8.75dBm signal to channels 1 to 8 simultaneously. When checking 1 channel at a time, input +6dBm signal.

Example of execution screen



This check is usually executed only in the Auto Test mode. For TRIM adjustment, enter OK for the check item of the applicable circuit board among TRIM: 10 to TRIM: 16 and press the [START] key

When checking one P.C.B. is completed, a message appears instructing to change the input to the next channel.

When MANUAL is selected for AD AUTO TEST, a message appears instructing to change the input to the next channel. However, as such message does not appear when AUTO is selected, input signals to all of channels 1 to 48 and STIN in advance.

1-20 LCD test

1-21 KBD, MOUSE, PAD I/F

Contents :LCD starts in the DIAG state when the power is turned on in the DIAG mode.

The check items are as described below and details of each item are in following pages

The CF card in the CPU card is judged as OK by the fact that this program starts properly.

Check that [CAPS LOCK] of the keyboard turns on and off by pressing it.

Check the pointer of the mouse for movement.

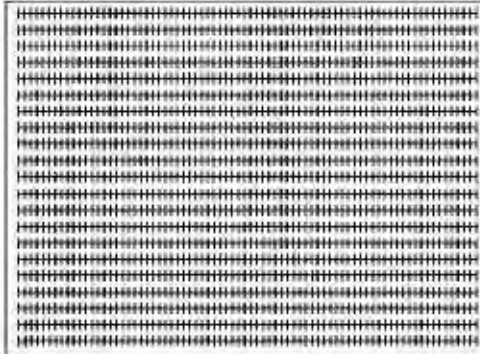
Check that the backlight turns on and off with the right switch of the mouse pad and that the brightness varies with the left switch.

The screen changes in 1 to 8 patters shown in the next page at 5 seconds intervals.

As tampering the mouse and pad will clear the timer setting, keep moving the mouse and pad to continue the visual check while holding the screen.

1) H character display

Used to check vertical and horizontal distortion and frame distortion (whether or not Hs are clearly seen in the frame)



4) - 8) Have the entire screen covered in white, red, green, blue and black and check that there is no dot that is black or in any other color.



2) Color bleeding and unstable display

As "O"s are displayed at both sides and "X"s in-between, check that characters are stable, "O"s are in place and the color is free from bleeding. The characters and background are displayed with white, black and gray colors with slight variation.

Also, check that no shadow appears by overlaying the mouse cursor

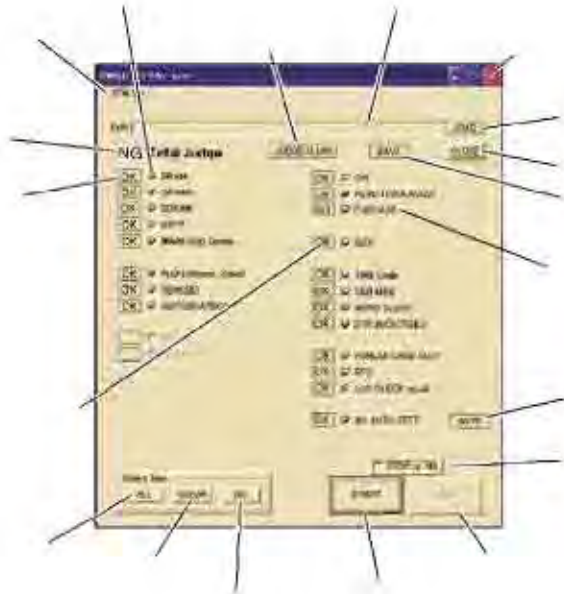
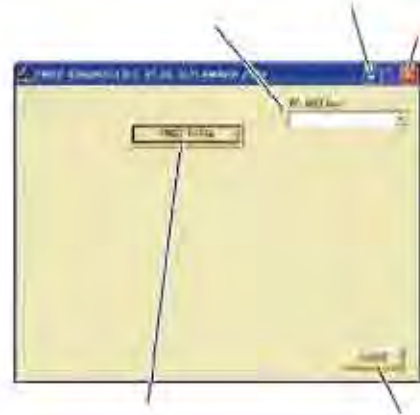


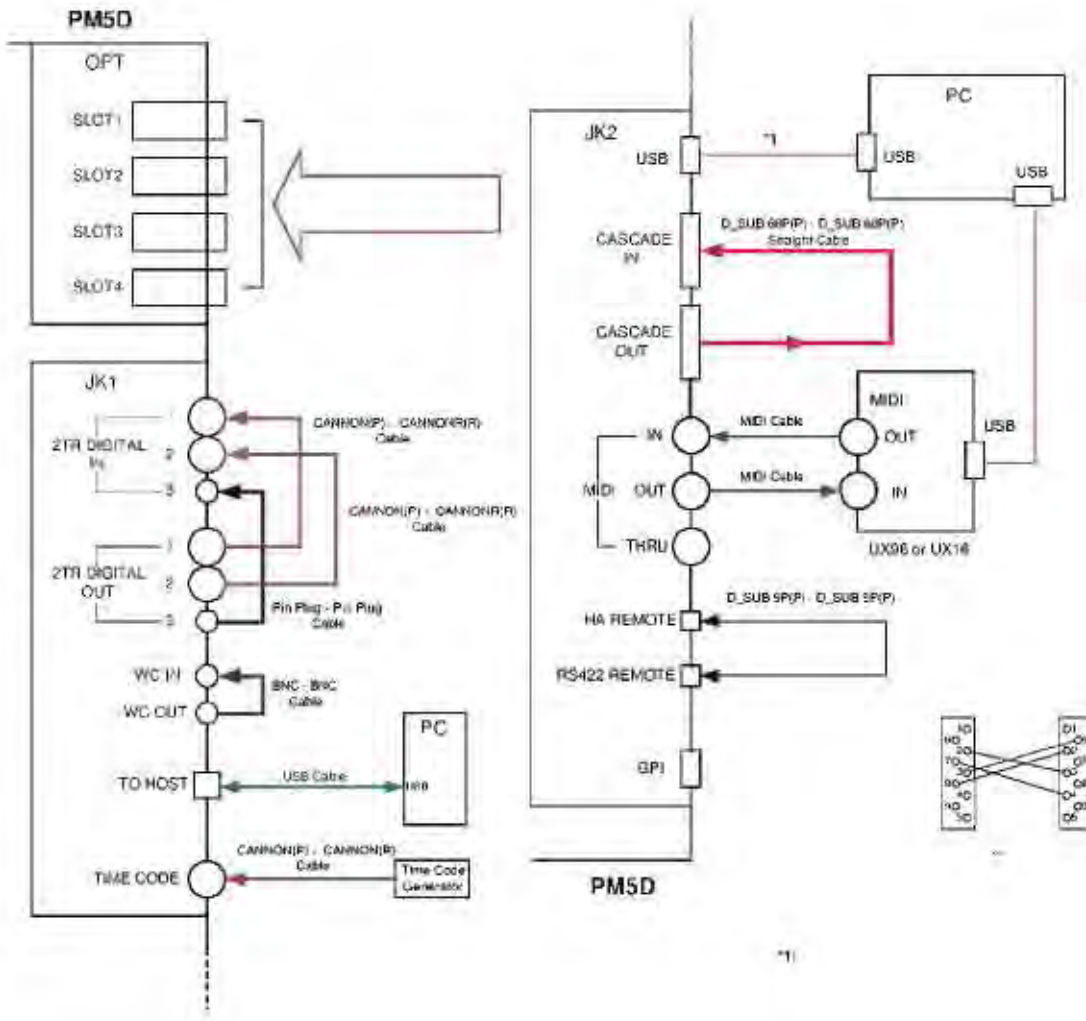
3) Color box

The color changes in gradation from the right to left growing into black.

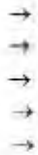
Check that the color (4 x 4) other than black is displayed in gradation properly.



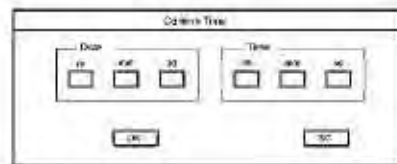
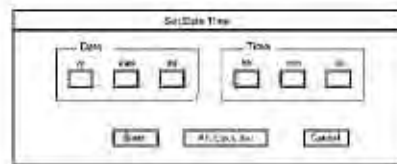


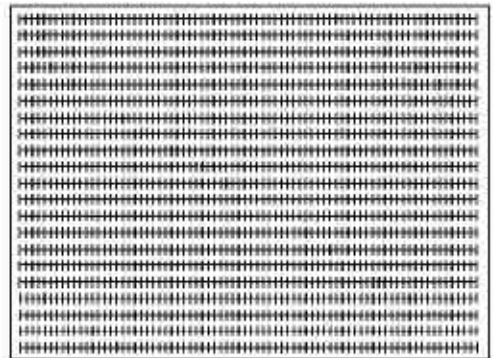














■ PANEL TEST

Starting procedure on PM5D side

Within 5 seconds after turning on the power, keep pressing [FLIP] and [MIX SEND SEL4] in the ENCODER MODE section to start the panel test.

A few seconds later, all LEDs/7seg/NAME light up on both right and left panels.

([MONO] and [USER DEFINE 4] in the MONITOR section on the right side panel can be used in the same way to start the panel test.)

The check items of the P.C.B. to be tested are as follows. Press any 3 switches simultaneously and release them, and the check item changes sequentially.

- All LEDs lighting check
- Lighting by color check
- Individual lighting check
- Operational element input/drive check

1. LED check

1-1. All LEDs lighting check

Check visually if all LED/7seg/NAME of the P.C.B. to be tested are lit.

With 7seg, check that '8' in all digits are lit.

With NAME, check that all dots are lit as **■ ■ ■ ■ ■**.

1-2. Lighting by color check

As LED/7seg/NAME of the P.C.B. to be tested are lit by color, check visually that their colors are correct.

Pressing and releasing any one switch causes the lighting color to change in the order of red -> orange -> yellow -> green.

1-3. Individual lighting check

As LEDs/7seg/NAME of the P.C.B. to be tested light in specified clusters and order, check visually that they light as they should. They light automatically in the specified order but while any one switch is being pressed, the order is reversed. When any 2 switches are pressed simultaneously and released, lighting starts from the very beginning pattern.

The lighting clusters and order are specified as follows.

SL P.C.B.	Number of patterns
(METER SECTION)	
• Vertical cluster of 12, sequentially from left to right (CH11-24)	24
• Horizontal cluster for 12, sequentially from top to bottom (OVER-60)	12
• Horizontal cluster of 2; CH1-24 and MIX	1
• Horizontal cluster of 4; MIX SEND, MIX MASTER, CH25-48 and PEAK HOLD	1
(SELECTED CHANNEL SECTION : GROUP)	
• Vertical cluster of 8; DCA1 ~ 8	1
• Vertical cluster of 8; MUTE 1 ~ 8	1
• Horizontal cluster of 2; DCA and MUTE, sequentially from top down (1 ~ 8)	8
RCL SAFE at the same time as the 1st one and MUTE SAFE at the same time as the 3rd one	
• METER sequentially from top down	12

	Number of patterns
(CHANNEL SELECT SECTION)	
• INPUT and OUTPUT in that order	2
• '■' for each figure of NAME, from left to right	4
• '8.' for each figure of 7seg, from left to right	2
• 2 figures of 7seg simultaneously, by 1 segment sequentially clockwise	8
(SELECTED CHANNEL SECTION: DELAY, GAIN/ATT, GATE, HPF, STEREO, COMP)	
• '8.' for each figure of 7seg of DELAY, HPF from left to right	3
• 3 figures of 7seg at 2 locations, by 1 segment, clockwise	8
• EQ ON, UPPER, LOWER, HPF ON, DELAY ON, GAIN/ATT, G, TOST in that order	8
• GAIN/ATT encoder, by cluster of 15 surrounding LEDs	1
• STEREO encoder, by cluster of 15 surrounding LEDs	1
• Encoders at 2 locations simultaneously, surrounding LEDs sequentially from left	15
• Vertical cluster of 6; GATE GR meters and GATE ON	1
• Vertical cluster of 4; HOLD sec, in sec, DECAY sec, in sec	1
• Vertical cluster of 7; COMP GR meters and COMP ON	1
• Vertical cluster of 2; RELEASE sec and in sec	1
• Horizontal cluster of GATE, COMP GR meters from top down	8
• Horizontal cluster of 2; GATE HOLD sec, COMP REL sec	1
• Horizontal cluster of 2; GATE HOLD in sec, COMP REL in sec	1
• Horizontal cluster of 3; GATE DECAY sec, GATE ON, COMP ON	1
• GATE DELAY in sec	1
• '8.' for each figure of GATE, 6 COMP 7seg simultaneously, from left to right	3
• 7 seg at 6 locations, 3 figures simultaneously, by 1 segment sequentially clockwise	8
• GATE: THREE encoder, by clusters of 15 surrounding LEDs	1
• GATE: RANGE encoder, by clusters of 15 surrounding LEDs	1
• COMP: THREE encoder, by clusters of 15 surrounding LEDs	1
• COMP: GAIN encoder, by clusters of 15 surrounding LEDs	1
• Encoders at 4 locations simultaneously, surrounding LEDs sequentially from left	15
(SELECTED CHANNEL SECTION: EQ-H, HM, LM, L)	
• '8.' for each figure of 7seg at 4 locations simultaneously, from left to right	3
• 7 seg at 4 locations, 3 figures simultaneously, by 1 segment sequentially clockwise	8
• Vertical Q encoders of EQ-H, HM, LM, L	1
• Vertical GAIN encoders of EQ-L, LM, HM, H	1
• Encoders at 8 locations simultaneously, surrounding LEDs sequentially from left	1
• EQ-H HsF, KHz, Hz in that order	3
• EQ-HM KHz, Hz in that order	2
• EQ-LM KHz, Hz in that order	2
• EQ-L LSF, KHz, Hz in that order	3
PNI P.C.B.	
(ENCODER MODE SECTION)	
FLIP	1
'8.' for each figure of 7seg, from left to right	2
2 figures of 7seg, by 1 segment sequentially clockwise	8
PAN, GAIN/ATT, ALT in that order	3
Vertical cluster of 3; MIX SEND SEL, from left to right	8
Horizontal cluster of 8; MIX SEND SEL, from top down	3

Number of patterns	
(MATRIX, MIX SECTION)	
Vertical cluster for MATRIX 1 ch, from #1 to 8 sequentially	8
ON of MATRIX #1 ~ 8 in horizontal cluster	1
DCA7 of MATRIX #1 ~ 8 in horizontal cluster	1
DCA8 of MATRIX #1 ~ 8 in horizontal cluster	1
PAIR of MATRIX #1 ~ 8 in horizontal cluster	1
Horizontal MATRIX encoders, surrounding LEDs sequentially from left	15
Horizontal cluster of CUE, SEL of MATRIX #1 ~ 8	1
Vertical cluster for MIX 1ch, from #1 to 8 sequentially	8
ON of MIX #1 ~ 8 in horizontal cluster	1
TOST, DCA7 of MIX #1 ~ 8 in horizontal cluster	1
TOMAT, DCA8 of MIX #1 ~ 8 in horizontal cluster	1
PAIR of MIX #1 ~ 8 in horizontal cluster	1
Horizontal MIX #1 ~ 8 encoders, surrounding LEDs sequentially from left	15
Horizontal cluster of CUE, SEL of MIX #1 ~ 8	1
* Perform the same check as above for MIX #9 ~ 16. (28)	
* Perform the same check as above for MIX #17 ~ 24. (28)	
PN2-1 P.C.B.	
Vertical cluster for INPUT 1 ch, from #1 to 12 sequentially	12
ON, PRE of INPUT #1 ~ 12 in horizontal cluster	1
Horizontal INPUT #1 ~ 12 encoders, surrounding LEDs sequentially from left	15
TOST of INPUT #1 ~ 12 in horizontal cluster	1
COMP of INPUT #1 ~ 12 in horizontal cluster	1
GATE of INPUT #1 ~ 12 in horizontal cluster	1
SEL of INPUT #1 ~ 12 in horizontal cluster	1
■ for each figure of name of horizontal INPUT #1 ~ #2 sequentially from left to right	4
PN2-2 P.C.B.	
* Same as PN2-1 P.C.B.	
PN3-1 P.C.B.	
Vertical cluster for INPUT 1 ch, from #1 to 6 sequentially	12
Meters of INPUT #1 ~ 6 in horizontal cluster from top down	6
ON of INPUT #1 ~ 6 in horizontal cluster	1
DCA ASSIGN LEDs of INPUT #1 ~ 6 in horizontal cluster from top down	8
MUTE ASSIGN LEDs of INPUT #1 ~ 6 in horizontal cluster from top down	8
RCL SAFE of INPUT #1 ~ 6 in horizontal cluster	1
MUTE SAFE of INPUT #1 ~ 6 in horizontal cluster	1
CUE of INPUT #1 ~ 6 in horizontal cluster	1
PN3-2 P.C.B.	
* Same as PN3-1 P.C.B.	
PN3-3 P.C.B.	
* Same as PN3-1 P.C.B.	
PN3-4 P.C.B.	
* Same as PN3-1 P.C.B.	
SR P.C.B.	
(METER SECTION)	
Vertical cluster of 12 meter LEDs of STIN/FXRTN 1L ~ 4R sequentially	8
In vertical order of STEREO AL~XBR, CUE L, R, cluster of 12 meter LEDs sequentially	6
Horizontal cluster of 14: from STIN/FXRTN to CUE L, R, sequentially from top down	12

Number of patterns	
(SCENE MEMORY, CUE, MONITOR, OSC, TB SECTION)	
LEDs of DIRECT RCL/MUTE MASTER sequentially from top	10
PREVIEW	1
S for each figure of 7seg sequentially from left to right	3
3 figures of 7seg simultaneously, by 1 segment sequentially clockwise	8
Vertical cluster of ACTIVE: INPUT, DCA, OUTPUT, SOLO, 2TRIN: A1, D1, D2, D3, MONI ON	1
Vertical cluster of LAST CUE, MONO	1
Vertical cluster of OUTPUT PFL, 2TRIN: A2, STEREO: A, B, DEFINE	1
Vertical cluster of OSC ON, TB ON	1
ACTIVE INPUT	1
ACTIVE DCA	1
ACTIVE OUTPUT	1
Horizontal cluster of SOLO, LAST CUE, PUTPUT PFL	1
Horizontal cluster of 2TRIN: A1, A2	1
Horizontal cluster of 2TRIN D1, STEREO A	1
Horizontal cluster of 2TRIN D2, STEREO B	1
OSC ON	1
Horizontal cluster of 2TRIN D3, DEFINE	1
Horizontal cluster of MONI ON, MONO, TB ON	1
(STIN STRIP SECTION)	
Vertical cluster for STIN 1 ch, from #1 to 4 sequentially	12
ON, PRE of STIN #1 ~ 4 in horizontal cluster	1
Horizontal STIN #1 ~ 4 encoders, surrounding LEDs sequentially from left	15
TOST of STIN #1 ~ 4 in horizontal cluster	1
COMP of STIN #1 ~ 4 in horizontal cluster	1
SEL of STIN #1 ~ 4 in horizontal cluster	1
SEL of STIN #1 ~ 4 in horizontal cluster	1
■ for 1 digit each of name of STIN #1 ~ 4 in horizontal cluster sequentially from left to right	4
(USER DEFINE SECTION)	
Vertical cluster of 3 LEDs, from left to right	8
Cluster of 8 LEDs in horizontal cluster, from top to bottom	3
PN4 P.C.B.	
(MIXING LAYER SECTION, FADER MODE SECTION, DCA STRIP SECTION)	
CH1-24, 25-48, A-F, DCA, USER DEFINE 25, STIN1-4, FXRTN1-4 to this order	12
Vertical cluster for DCA 1 ch, from #1 to 8 sequentially	8
Vertical cluster for STEREO 1 ch, in the order of A, B	2
Cluster of ON OF DCA#1 ~ 8 MUTE, STEREO A, B in horizontal cluster	1
DCA 7 of STEREO A, B in horizontal cluster	1
DCA 8 of STEREO A, B in horizontal cluster	1
NOMINAL of DCA #1 ~ 8 in horizontal cluster	1
Horizontal cluster of RCL SAFE, STEREO A, B of DCA #1 ~ 8	1
MUTE SAFE of STEREO A, B in horizontal cluster	1
Horizontal cluster of CUE, STEREO A, B of DCA #1 ~ 8	1
PN5 P.C.B.	
(DCA STRIP SECTION, STEREO STRIP SECTION)	
■ for each figure of DCA #1 ~ 8 names in horizontal cluster, from left to right	4
SEL TO MATRIX, COMP of STEREO A in that order	3
SEL TO MATRIX, COMP, MONO of STEREO B in that order	4

PN6 P.C.B. (STIN STRIP SECTION, ASSIGN MODE SECTION)	Number of patterns
Vertical cluster for INPUT 1 ch, from #1 to 4 sequentially	12
Meters of STIN #1L ~ 4R in horizontal cluster from top down	6
ON of STIN #1 ~ 4 in horizontal cluster	1
DCA ASSIGN LEDs of STIN #1 ~ 4 in horizontal cluster from top down	8
MUTE ASSIGN LEDs of STIN #1 ~ 4 in horizontal cluster from top down	8
RCL SAFE of STIN #1 ~ 4 in horizontal cluster	1
MUTE SAFE of STIN #1 ~ 4 in horizontal cluster	1
CDE of STIN #1 ~ 4 in horizontal cluster	1
ASSIGN DCA, MUTE in that order	2
PN8 P.C.B.	
* There is no LED/7seg/NAME.	
FDA P.C.B.	
* There is no LED/7seg/NAME.	
FDB P.C.B.	
* There is no LED/7seg/NAME.	
FDC P.C.B.	
* There is no LED/7seg/NAME.	

2. Operational element input/drive check

Check visually the input of switch and encoder of the P.C.B. to be tested as reflected on the indicator on the P.C.B.

As the fader checks drive and input when a specific switch is pressed, check the result visually.

Details for each operational element are described below.

2-1. Switch

Check switches with LEDs for proper response. LED should turn on when the switch is pressed and turn off when it is released.

With switches without LEDs, the switch name is indicated on the nearby name indicator.

SL P.C.B.

CHANNEL SECTION: The selected CH name indicator indicates the name.

CHANNEL SELECT Section	PASE switch: when pressed	"PAST"
	when released	"past"
	COPY switch: when pressed	"COPY"
	when released	"copy"
	PASE switch: when pressed	"DEC"
	when released	"dec"
	PASE switch: when pressed	"INC"
	when released	"inc"

SR P.C.B.

STIN STRIP SECTION: The STIN #1 name indicator indicates the name.

SCENE MEMORY Section	STORE switch: when pressed	"STOR"
	when released	"stor"
	RECALL switch: when pressed	"RECA"
	when released	"reca"
	UNDO switch: when pressed	"UNDO"
	when released	"undo"
	↑ switch: when pressed	"s UP"
	when released	"s up"
	↓ switch: when pressed	"s DW"
	when released	"s dw"
DISPLAY ACCESS Section	Each of 24 switches: when pressed	"#DA%"
	when released	"#da%"

#=line number (1 - 3), %= row number (1 - 8)

PN8 P.C.B.

STIN STRIP SECTION: The STIN #1 name indicator indicates the name.

DATA ENTRY Section	DEC switch: when pressed	"DEC"
	when released	"dec"
	INC switch: when pressed	"INC"
	when released	"inc"
	↑ switch: when pressed	"d UP"
	when released	"d up"
	↓ switch: when pressed	"d DW"
	when released	"d dw"
	+ switch: when pressed	"d LE"
	when released	"d le"
	→ switch: when pressed	"d RI"
	when released	"d ri"
	SHIFT switch: when pressed	"SHIF"
	when released	"shi"
	ENTER switch: when pressed	"ENTE"
	when released	"ente"

2-2. Encoder

Turn the encoder clockwise and counterclockwise and check visually that it responds accordingly.

When there are LEDs around the encoder, they should respond. During the first turn clockwise, the bar is displayed and during the second turn, 1 or 2 items are displayed. When turned counterclockwise, display will be reversed.

At the same time, the numeric value added or subtracted is displayed on the name indicator within the 0-9999 range.

When there is no LED around the encoder, the numeric value added or subtracted is displayed on the name indicator within the 0-9999 range.

Name indicators

SL P.C.B.

CHANNEL SECTION: The selected CH name indicator

PN8 P.C.B.

STIN STRIP SECTION: The STIN #1 name indicator

2-3 Fader

All faders of the P.C.B to be tested are checked at once when the specific switch is pressed. The check result for each fader is displayed on the corresponding indicator.

How to start checking

As the switch for each fader check item is predetermined for each FD P.C.B., press the applicable switch.

Display of check results

When the FDA and FDB P.C.B.s are checked, the check result is displayed on the name indicator for each fader.

When the FDC P.C.B. is checked, as there are not enough name indicators for 14 faders, the check result is displayed on DCA #1~8 name indicators alternately as described below every time PN4 P.C.B.: FADER MODE section: F switch is pressed.

- For DCA#1~8 faders, the check result is displayed on DCA#1~8 name indicators.
- For STO A, B, STIN #1~4 faders, the check result is displayed on DCA#1~6 name indicators. "■■■■" is displayed on the remaining DCA#7, 8 indicators.

The contents of the check are as follows.

• Fader check A

Input fader 1~12ch (FDA P.C.B.)

Press the 1ch PRE switch of CH STRIP section and release it. Then press the CH#1 SEL switch.

Input fader 13~24ch (FDB P.C.B.)

Press the 13ch PRE switch of CH STRIP section and release it. Then press the CH#13 SEL switch.

DCA 1~8ch, STIN 1~4, ST A, B fader (FDC P.C.B.)

Press the 24-48ch switch of CH STRIP section and release it. Then press the A SEL switch of STEREO STRIP section.

When the switch is pressed, the following checks are performed by means of the software.

Moving from the lower limit to the upper limit, all the bit patterns are covered and for every drive, whether stop at the target position occurs or not is checked.

After the check, the check result indicated on the name indicator should be checked visually.

- "ok" appears when the check result is normal
- "X???" appears when the check result is abnormal

The error code can display a multiple number of contents corresponding to bits.

Display of 'X' at the left end is fixed.

The remaining 3 digits displays the following contents in the hexadecimal notation.

- Bit0: Lower limit position is NG
- Bit1: Medium position is NG
- Bit2: Upper limit position is NG
- Bit 4: Lower than previous position at data bus bit 0 drive
- Bit 5: Lower than previous position at data bus bit 0 drive
- Bit 6: Lower than previous position at data bus bit 0 drive
- Bit7: Not higher than previous position twice or more at bit 0 drive of above 3 times
- Bit8: There were some cases where not higher than previous position at 8 check points

For DCA 1~8ch, STIN 1~4, ST A, B faders only, the check is performed in 2 stages, 8 in one and 7 in the other and the check results are displayed at the end.

* *When the check result is unsatisfactory, it is possible that a faulty condition exists in the fader or fader drive circuit.*

• Fader check B

Input fader 1~12ch (FDA P.C.B.)

Press and release the 1ch PRE switch of CH STRIP section. And then press the CH#2 SEL switch.

Input fader 13~24ch (FDB P.C.B.)

Press and release the 13ch PRE switch of CH STRIP section. And then press the CH#14 SEL switch.

DCA 1~8CH, STIN 1~4, ST A, B fader (FDC P.C.B.)

Press and release the 24-48ch switch of CH STRIP section. And then press the B SEL switch of STEREO STRIP section.

When the switch is pressed, the following checks are performed by means of the software.

Move from the upper limit to the lower limit by one movement to measure the time required. Check the measured time displayed on the name indicator visually. The measured time is displayed in seconds to the first decimal place rounding the second decimal place.

Example: When the measured time is 0.25 sec -> "0.3s"
The measurable range is up to 1 second. If the measured time exceeds 1 second, it is displayed as "XXXX". The acceptable range is 0.2 to 0.4 sec.

• Fader check C

Input fader 1~12ch (FDA P.C.B.)

Press and release the 1ch PRE switch of CH STRIP section. And then press the CH#3 SEL switch.

Input fader 13~24ch (FDB P.C.B.)

Press and release the 13ch PRE switch of CH STRIP section. And then press the CH#15 SEL switch.

DCA 1~8CH, STIN 1~4, ST A, B fader (FDC P.C.B.)

Press and release the 24-48ch switch of CH STRIP section. And then press the B MONO switch of STEREO STRIP section.

When the switch is pressed, the following checks are performed by means of the software.

Move from the upper limit to the lower limit by one movement to measure the time required. Check the measured time displayed on the name indicator visually.

** The check uses the same procedure as Fader check B.*

• Fader check D

Input fader 1~12ch (FDA P.C.B.)

Press and release the 1ch PRE switch of CH STRIP section. And then press the CH#4 SEL switch.

Input fader 13~24ch (FDB P.C.B.)

Press and release the 13ch PRE switch of CH STRIP section. And then press the CH#16 SEL switch.

DCA 1~8CH, STIN 1~4, ST A, B fader (FDC P.C.B.)

Press and release the 24-48ch switch of CH STRIP section. And then press the #25 switch of USER DEFINE section.

When the switch is pressed, the following checks are performed by means of the software.

Move toward the -20dB index position in one movement. Check the difference between the stop position and the index position visually. For the acceptable value, refer to the description of General check.

• Fader check E

Input fader 1~12ch (FDA P.C.B.)

Press and release the 1ch PRE switch of CH STRIP section. And then press the CH#5 SEL switch.

Input fader 13~24ch (FDB P.C.B.)

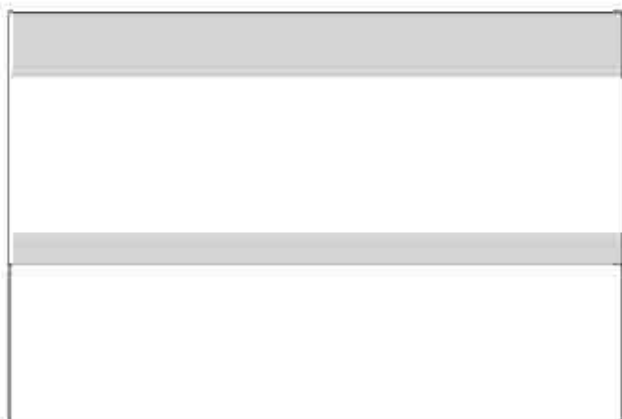
Press and release the 13ch PRE switch of CH STRIP section. And then press the CH#17 SEL switch.

DCA 1~8CH, STIN 1~4, ST A, B fader (FDC P.C.B.)

Press and release the 24-48ch switch of CH STRIP section. And then press the #8 MUTE switch of DCA STRIP section.

When the switch is pressed, the following checks are performed by means of the software.

Move toward the 0dB index position in one movement. Check the difference between the stop position and the index position visually. For the acceptable value, refer to the description of General check.





PM5D/PM5D-RH



■ UPDATING THE PROGRAM

Caution:

Updating the program will cause the existing user data to be lost.

Before updating the program be sure to save all the setting data in PM5D/PM5D-RH into a memory card.

With PM5D/PM5D-RH, all the CPU data is included in the CF card in LCD CPU, taking into consideration the case where the version of each CPU is not appropriate.

- 1** Prepare a CF card and PC SLOT adapter which are commercially available and the environment (note: type computer with a PCMCIA type 2 slot) that enables loading the data into the CF card.
- 2** Copy all the contents in the Update card folder into the root directory of the CF card.
- 3** Insert a CF card into the MEMORY CARD slot and turn on the power.
(After the normal start-up title screen, the data copy mode starts without any splash.)
- 4** When "COPY" appears on the screen, click the button by using the ENTER key, pad or mouse. Then uploading starts and the PROGRESS indication advances.
- 5** When 100% is reached and "Take Out Card & Re-start" message appears, turn off the power and remove the CF card from the slot.
- 6** With nothing inserted in the MEMORY CARD slot, turn on the power.
- 7** The LCD shows the UPLOAD page as shown below.



- * *When this screen does not appear (although the version is appropriate) and rewriting needs to be done, turn on the power while pressing [SHIFT] and [ENTER] to access to this page. Displayed on this screen are, the current version on the left and the adequate one on the right for the version check. The inadequate items are indicated in yellow and red.*

- 8** Select only necessary items by the arrow marked SW and press [UPLOAD SW] using the external mouse or pad.
- 9** The PROGRESS indication advances and "Please re-start" appears at the end. Then turn off the power. When the power is turned on after updating the program, the screen with "INITIALIZE" under "CHECK SUM ERROR" appears. Then execute "ALL INITIALIZE", and the normal screen will appear. Wait until the [BUSY] indicator turns off and turn off the power.

1

2

3

4

5

6

7



8

9

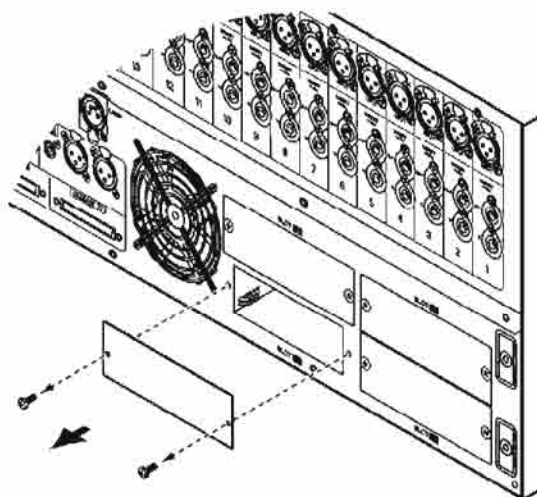
■ INSTALLING an OPTION CARD

Before installing a card, you must check the Yamaha website to make sure that this device is compatible with this card, and to verify the number of cards that can be installed in conjunction with other Yamaha or thirdparty cards.

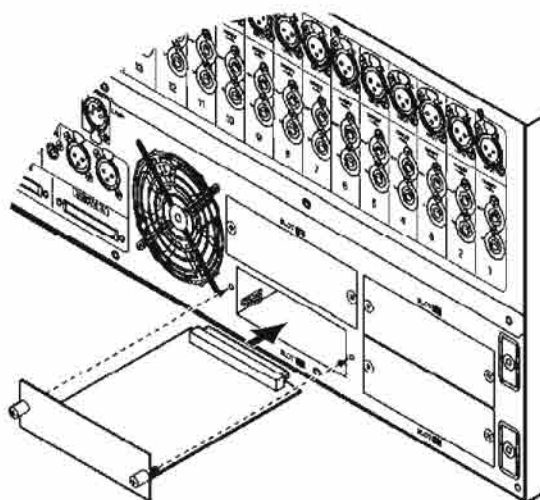
Yamaha website: <http://www.yamahaproaudio.com>

To install an optional mini-YGDAI card, proceed as follows.

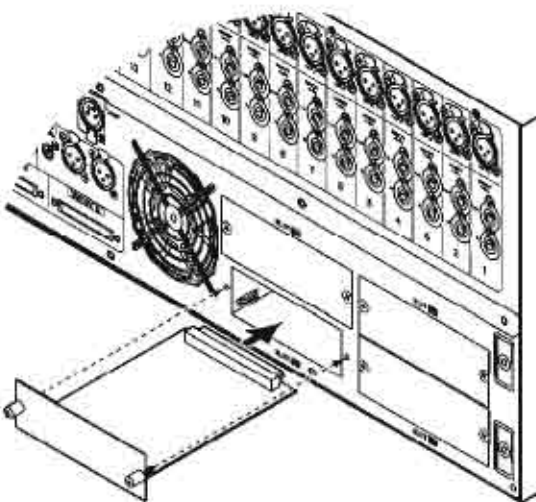
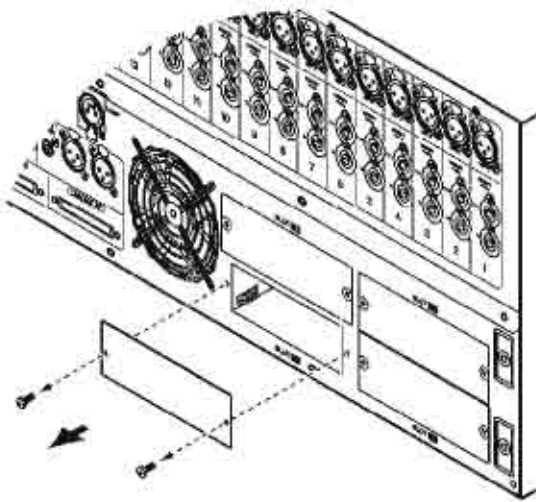
- 1** Make sure that the power is turned off.
- 2** Loosen the screws that hold the slot cover in place, and remove the slot cover.
Keep the removed slot cover in a safe place.



- 3** Align the edges of the card with the guard rails inside the slot, and insert the card into the slot.
Push the card all the way into the slot so that the connector at the end of the card is correctly mated with the connector inside the slot.



- 4** Use the screws included with the card to fasten the card in place.
Malfunctions or incorrect operation may occur if the card is not fastened.



SAVING FILE to a MEMORY CARD

Here's how to save individual items of data (or all data) from the PM5D onto a memory card.

1 Insert the memory card into the memory card slot located on the front panel of the PM5D.

You may insert or remove cards while the PM5D is powered-on.

2 In the DISPLAY ACCESS section, repeatedly press the [UTILITY] key to access the SAVE screen.

You may insert or remove cards while the PM5D is powered-on.



In the left side of the SAVE screen you can select the save mode and the item(s) that will be saved. The file list in the right side of the screen contains four columns; FILE NAME, TYPE, DATE/SIZE, and COMMENT. This list shows the files and directories on the memory card. (To see the COMMENT column, scroll the list toward the right.)

3 In the MODE area, click the BASIC button to select BASIC as the save mode.

If BASIC mode is selected, you can choose the desired item (or all items) and save them to a memory card.

Hint

The other save modes provided are ADVANCED mode which lets you save scene memories or libraries under different numbers, and CSV EXPORT mode which lets you save the names of scene memories or libraries as a CSV format file.

4 Use the buttons below the MODE area to select the item you want to save.

The item whose button is turned on is selected for saving. (You can turn on only one button.) By clicking the ALL DATA button you can select all items at once. These buttons correspond to the following items.

Button	Content
ALL DATA	All items, and the contents of the current scene
SCENE MEMORY	Contents of scene memory
LINKED LIBRARY	Libraries linked to the scene (available only if the SCENE MEMORY button is on)
HA	Contents of the HA library
INPUT PATCH	Contents of the input patch library
OUTPUT PATCH	Contents of the output patch library
INPUT CH	Contents of the input channel library
OUTPUT CH	Contents of the output channel library
INPUT EQ	Contents of the input EQ library
OUTPUT EQ	Contents of the output EQ library
GATE	Contents of the gate library
COMP	Contents of the compressor library
EFFECT	Contents of the effect library
GEQ	Contents of the GEQ library
SETUP	Various settings not saved in a scene
USER DEFINED KEY	User Defined key settings
DCA FADER MODE	DCA fader mode settings
MIDI REMOTE	MIDI remote settings
MIDI PGM TABLE	Contents of the list in the MIDI PGM CHANGE screen
MIDI CTRL TABLE	Contents of the list in the MIDI CTRL CHANGE screen
EVENT LIST	Contents of the list in the EVENT LIST screen

If you select the SCENE MEMORY, HA, INPUT PATCH, or OUTPUT PATCH items, you can specify the starting number and ending number so that only the desired range of scenes or library items will be saved. The LINKED LIBRARY button is available only if the SCENE MEMORY button is on.

Hint

The TOTAL SIZE field at the bottom of the MODE area indicates the file size for the selected item(s). The available capacity of the inserted memory card is shown below the file list.

5 If you selected scenes or libraries for saving, use the boxes at the right of the button to specify the starting number and ending number.



6 As necessary, use the file list to select the directory (folder) in which you will save the data.

If the file list contains a directory below the current level, the TYPE column will indicate "[DIR]."

EVENT001	ALL	03/06/2004	04:01:06	196KB
EVENT002	ALL	03/06/2004	04:01:44	196KB
HALLSET1	ALL	03/06/2004	04:02:02	196KB
HALLSET2	ALL	03/06/2004	04:02:20	196KB
SETTINGS	ALL	03/06/2004	04:02:30	

A directory below the current level

To move to a lower directory, click the directory line to select it (that line will move to the center of the list), and click the directory name shown in the FILE NAME column.

If the file list contains a directory above the current level, it will be shown as " " in the FILE NAME column and "[DIR]" in the TYPE column.

A directory above the current level

LIVESET1	ALL	03/06/2004	04:02:02	196KB
LIVESET2	ALL	03/06/2004	04:02:20	196KB

To move to a higher directory, click the directory line to select it (that line will move to the center of the list), and click the " " shown in the FILE NAME column.

Hint

- The directory currently selected as the save destination is also shown in the FILE PATH field above the list
- If you want to create a new directory in the current location, click the MAKE DIR button below the file list.

Note

- The file list can display only up to one hundred items.
- Saving is not possible if the FILE PATH field exceeds 60 characters (including the filename extension).

7 After specifying the item to be saved and the save-destination directory, click the SAVE button.

The FILE NAME EDIT window will appear, allowing you to assign a name to the data that will be saved.



8 Use the character palette to input a filename, and click the OK button.

A window will ask you to confirm the Save operation.

Note

- When assigning a name to a file on a memory card, lowercase alphabetical characters and some symbols in the character palette cannot be used.
- If you paste text copied from another character palette when inputting the file name, all lowercase alphabetical characters will be converted to uppercase.

9 To execute the Save operation, click the OK button.

A window will appear, indicating the progress of the Save operation. When saving is completed, the previous screen will reappear. If you click the CANCEL button instead of the OK button, the Save operation will be aborted and you will return to the previous screen.

Do not insert or remove the memory card while it is being accessed. A BUSY indicator at the upper right of the display will light while the card is being accessed.



Hint _____

Note _____

EVENTPA1	ALL	03/06/2004 04:01:06	196KB
EVENTPA2	ALL	03/06/2004 04:01:44	196KB
MR1SET1	ALL	03/06/2004 04:02:02	196KB
MR1SET2	ALL	03/06/2004 04:02:20	196KB
SETTINGS		03/06/2004 04:02:28	




Note _____

LIVESET1	ALL	03/06/2004 04:02:02	196KB
LIVESET2	ALL	03/06/2004 04:02:20	196KB



INITIALIZING THE PM5D's INTERNAL MEMORY

If an error occurs in the PM5D's internal memory, or if you are unable to return to normal operation because you have forgotten the system password, use the following procedure to initialize the internal memory.

 All of the content that had been saved in memory will be lost if you initialize the internal memory. You must use extreme caution when performing this operation.

1 While holding down the **SCENE MEMORY [STORE]** key of the panel, turn on the power of the **PW800W** power supply.

After the opening screen, the following initialization menu screen will appear.



2 Click one of the following buttons to select the desired type of initialization.

- **INITIALIZE ALL MEMORIES**
All memories including scene memories and libraries will return to their factory-set condition.
- **INITIALIZE CURRENT MEMORIES**
Memories other than scene memories and libraries will return to their factory-set condition.
- **CANCEL**
The initialization procedure will be aborted, and the PM5D will start up in normal operating mode.

Note

If the voltage of the backup battery runs low, or if an error occurs in the internal memory, a warning message will appear at the bottom of the screen, and the initialization menu will appear "by force." Please note that if the warning message is displayed, and you click the **CANCEL** button to start in normal operating mode, we cannot guarantee that the system will operate correctly.

3 A message will ask you to confirm that you really want to initialize; click the **OK** button.

When the internal memory has been initialized, the PM5D will start up in normal operating mode.



Note

■ WARNING MESSAGES

These are messages displayed in the lower part of the screen. They will disappear after a certain duration has elapsed.

Message	Meaning
#xxx of Scene is Empty!	No data has been stored in the scene you attempted to recall, or the data has been damaged so that it cannot be recalled.
#xxx of Scene is Read Only!	You attempted to overwrite (store) a read-only scene.
#xxx of Scene is Protected!	You attempted to overwrite (store) a protected scene.
Cannot Undo!	You pressed the SCENE MEMORY [UNDO] key when Undo was not available.
Cannot Assign!	You clicked an unavailable (grayed-out) grid in the patch screen, or pressed an invalid key on the panel (e.g., a DCA/MUTE assign key that is unavailable due to the selected channel).
Cannot Drop!	You attempted to drop a EQ/compressor/gate/EQ/effect mini-graph onto a location of a different type.
Pair Made.	You used a panel operation to assign channel pairing.
Pair Broken.	You used a panel operation to cancel channel pairing.
EFFECT CUE: Turned Off.	CUE was defeated because you switched to another screen from the EQ PARAM or EFFECT ASSIGN screen, or because you switched the selected effect.
KEY IN CUE: Turned Off.	KEY IN CUE was defeated because you switched from the GATE PRM/COMP PRM screen to a different screen.
Overwrite Existing Event.	In the EVENT LIST screen you input an event at the same time as a previously-input event, so the existing event was overwritten.
Event List Full! Last Event cancelled.	In the EVENT LIST screen, the event list is full; the last event in the event list was pushed out and deleted when you added a new event.
Interval from Previous Event is Too Short	The event you are attempting to input in the EVENT LIST screen is too close to an existing event earlier than that location, so it is possible that it may not be recalled at the time you intend.
TIME CODE: Frame Jump!	The time code that was input in the EVENT LIST screen has experienced a frame jump or is running backward.
TIME CODE: Frame Mismatch!	The incoming time code has a frame rate that is different than the time code specified in the EVENT LIST screen.
MIDI: Data Framing Error!	Invalid signals are being input to the MIDI IN connector.
MIDI: Data Overrun!	Invalid signals are being input to the MIDI IN connector.
MIDI: Rx Buffer Full!	Too much data is being received at the MIDI IN connector.
MIDI: Tx Buffer Full!	Too much data is being sent from the MIDI OUT connector.
USB: Data Framing Error!	Invalid signals are being input from the USB connector input port.
USB: Data Overrun!	Invalid signals are being input from the USB connector input port.
USB: Rx Buffer Full!	Too much data is being received at the USB connector input port.
USB: Tx Buffer Full!	Too much data is being sent from the USB connector output port.
SLOT x: Data Framing Error!	Invalid signals are being input from the SLOT x input port.
SLOT x: Data Overrun!	Invalid signals are being input from the SLOT x input port.
SLOT x: Rx Buffer Full!	Too much data is being received at the SLOT x input port.
SLOT x: Tx Buffer Full!	Too much data is being sent from the SLOT x output port.
RS422: Data Framing Error!	Invalid signals are being received at the HA REMOTE connector or RS422 REMOTE connector.
RS422: Data Overrun!	Invalid signals are being received at the HA REMOTE connector or RS422 REMOTE connector.
RS422: Rx Buffer Full!	Too much data is being received at the HA REMOTE connector or RS422 REMOTE connector.
RS422: Tx Buffer Full!	Too much data is being transmitted from the HA REMOTE connector or RS422 REMOTE connector.
CASCADE: Data Framing Error!	Invalid signals are being input to the CASCADE IN/OUT connector.
CASCADE: Data Overrun!	Invalid signals are being input to the CASCADE IN/OUT connector.
CASCADE: Rx Buffer Full!	Too much data is being received at the CASCADE IN/OUT connector.
CASCADE: Tx Buffer Full!	Too much data is being transmitted from the CASCADE IN/OUT connector.
DME Control: Data Framing Error!	Invalid signals are being input during communication with the DME.
DME Control: Data Overrun!	Invalid signals are being input during communication with the DME.
DME Control: Rx Buffer Full!	Too much data is being received during communication with the DME.
DME Control: Tx Buffer Full!	Too much data is being transmitted during communication with the DME.
Wrong Word Clock!	The PM5D cannot synchronize because the source selected by MASTER CLOCK SELECT in the WORD CLOCK screen is not appropriate.
Sync Error! [xxxx]	The xxxx signal is not synchronized with the PM5D.
xxxx No Signal Present!	The xxxx signal is not being input.
Data Type Conflict! Cancelled.	You attempted to execute a library recall or channel copy operation on a different type of channel.
HA Type Conflict! Data Ignored.	You attempted to recall a HA library of a different model (PM5D model or PM5D-RH model).
Conflicting GPI OUT Cancelled.	The parameter you assigned to the FADER START function or to a User Defined key is the same as an existing GPI OUT assignment, so the GPI OUT assignment was cancelled.
Conflicting USER DEFINED KEY Cancelled.	The parameter you assigned to GPI OUT is the same as an existing User Defined key assignment, so the User Defined key assignment was cancelled.
Conflicting FADER START Cancelled.	The parameter you assigned to GPI OUT is the same as an existing FADER START function, so the FADER START assignment was cancelled.
Wrong Password!	The system password or console password you input was incorrect.
System Password Changed.	The system password has been changed.
Console Password Changed.	The console password has been changed.

Message	Meaning
Parameter Locked.	Parameter Lock has been enabled.
Parameter Unlocked.	Parameter Lock has been defeated.
This Parameter is Locked.	The parameter you attempted to control is locked.
Channel Copied.	The selected channel settings were copied to the memory buffer.
Channel Pasted.	The channel settings in the memory buffer were pasted to the selected channel.
Nothing to Paste!	Paste cannot be performed because there is no data in the memory buffer.
Cannot Paste to Different Channel Type.	Paste cannot be performed because you are attempting to paste channel settings of a different type.
No Card in Slot!	No memory card is inserted in the MEMORY CARD slot.
File Already Exist!	The memory card already contain a file/directory with the same name as the one you are attempting to save, rename, or create.
Saving Aborted.	Saving to memory card was aborted.
Loading Aborted.	Loading from memory card was aborted.
No Controllable Gain.	You attempted to operate a gain knob that is currently disabled on the panel.
Tap Operation Ignored.	Tap operation was ignored because the TAP TEMPO button is not displayed in the screen.
Cascade Unit Disconnected.	The connection with a cascade-connected external device was broken.
Additional Cascade Unit Detected.	A cascade-connected external device was newly detected.
Incorrect Cascade Connection!	The connection is not appropriate for the cascade settings.
Couldn't Store Scene on Slave Console!	The cascade-connected slave console was unable to store the scene because the scene was protected on the slave console, or for some other reason.
Couldn't Edit Scene on Slave Console!	The cascade-connected slave console was unable to edit the scene because the scene was protected on the slave console, or for some other reason.
DME Disconnected.	The connection with an external DME was broken.
No Response from External HA.	No response from an external AD8HR or AD824.
Processing Aborted.	A process was aborted.

■ ERROR MESSAGES

These are messages displayed as popup windows in the center of the screen.

After noting the content of the message, click the OK button in the screen to close the popup window.

Message	Meaning
Cannot Store!	Failed to store a scene memory or library.
Cannot Recall!	Failed to recall a scene memory or library.
Memory Card Full!	You attempted to save a file that was larger than the available capacity of the memory card.
File Not Found!	The file/directory does not exist on the memory card.
Couldn't Read File.	Failed to read the file from the memory card.
Couldn't Write File.	Failed to write the file to the memory card.
Couldn't Delete File.	Failed to delete the memory card file.
Couldn't Open File.	Failed to open the file from the memory card.
Couldn't Close File.	Failed to close the file on the memory card.
Unsupported File Format!	The file you attempted to load from the memory card is of an unsupported format.
No Files to Upload!	Internal memory does not contain files to upload.
Low Battery!	The backup battery voltage is low.
Power Supply has Malfunctioned!	A problem has occurred with the PW800W power supply connected to the PM5D.
Total Slot Power Capability Exceeded!	The I/O cards installed in the slots exceed the rated power capacity.



#xxx of Scene is Empty!	
#xxx of Scene is Read Only!	
#xxx of Scene is Protected!	
Cannot Undo!	
Cannot Assign!	
Cannot Drop!	
Pair Made.	
Pair Broken.	
EFFECT CUE: Turned Off.	
KEY IN CUE: Turned Off.	
Overwrite Existing Event.	
Event List Full! Last Event cancelled.	
Interval from Previous Event is Too Short!	
TIME CODE: Frame Jump!	
TIME CODE: Frame Mismatch!	
MIDI: Data Framing Error!	
MIDI: Data Overrun!	
MIDI: Rx Buffer Full!	
MIDI: Tx Buffer Full!	
USB: Data Framing Error!	
USB: Data Overrun!	
USB: Rx Buffer Full!	
USB: Tx Buffer Full!	
SLOT x: Data Framing Error!	
SLOT x: Data Overrun!	
SLOT x: Rx Buffer Full!	
SLOT x: Tx Buffer Full!	
RS422: Data Framing Error!	
RS422: Data Overrun!	
RS422: Rx Buffer Full!	
RS422: Tx Buffer Full!	
CASCADE: Data Framing Error!	
CASCADE: Data Overrun!	
CASCADE: Rx Buffer Full!	
CASCADE: Tx Buffer Full!	
DME Control: Data Framing Error!	
DME Control: Data Overrun!	
DME Control: Rx Buffer Full!	
DME Control: Tx Buffer Full!	
Wrong Word Clock!	
Sync Error! (xxxx)	
xxxx No Signal Present!	
Data Type Conflict! Canceled.	
HA Type Conflict! Data Ignored.	

Conflicting GPI OUT Cancelled.	
Conflicting USER DEFINED KEY Cancelled.	
Conflicting FADER START Cancelled.	
Wrong Password!	
System Password Changed.	
Console Password Changed.	
Parameter Locked.	
Parameter Unlocked.	
This Parameter is Locked.	
Channel Copied.	
Channel Pasted.	
Nothing to Paste!	
Cannot Paste to Different Channel Type.	
No Card in Slot!	
File Already Exist!	
Saving Aborted.	
Loading Aborted.	
No Controllable Gain.	
Tap Operation Ignored.	
Cascade Unit Disconnected.	
Additional Cascade Unit Detected.	
Incorrect Cascade Connection!	
Couldn't Store Scene on Slave Console!	
Couldn't Edit Scene on Slave Console!	
DME Disconnected.	
No Response from External HA.	
Processing Aborted.	

Cannot Store!	
Cannot Recall!	
Memory Card Full!	
File Not Found!	
Couldn't Read File.	
Couldn't Write File.	
Couldn't Delete File.	
Couldn't Open File.	
Couldn't Close File.	
Unsupported File Format!	
No Files to Upload!	
Low Battery!	
Power Supply has Malfunctioned!	
Total Slot Power Capability Exceeded!	

YAMAHA [Digital Mixing Console]

Date: 30-Apr-2004

Model: PM5D/PM5D-RH

MIDI Implementation Chart

Version: 1.0

Function...	Transmitted	Recognized	Remarks
Basic Channel Default Changed	1-16 1-16	1-16 1-16	Memorized
Mode Default Messages Altered	X X *****	1, 3 X X	Memorized
Note Number :True Voice	X *****	0-127 X	
Velocity Note On Note Off	X X	0 0	Effect Control
After Touch Key's Ch's	X X	X X	
Pitch Bend	X	X	
Control Change 0,32 6,38 98,99 1-31,33-98, 102-119	0 0 0 0	0 0 0 0	Bank Select Data Entry NRPN LSB,MSB Assignable Cntrl
Prog Change :True#	0 0-127 *****	0 0-127 0-500	Assignable
System Exclusive	0 *1	0 *1	
System Common :Song Pos :Song Sel :Tune	X X X	X X X	
System Real Time :Clock :Commands	X X	0 X	Effect Control
Aux Messages :All Sound Off :Reset All Cntrls :Local ON/OFF :All Notes OFF :Active Sense :Reset	X X X X X X	X X X X 0 0	
Notes	*1: Bulk Dump/Request, Parameter Change/Request, and MMC. For MIDI remote and event, all messages can be transmitted. MTC quarter frame message is recognized.		

Mode 1: OMNI ON, POLY
Mode 3: OMNI OFF, POLY

Mode 2: OMNI ON, MONO
Mode 4: OMNI OFF, MONO

0: Yes
X: No

MIDI DATA FORMAT

This section explains the format of the data that the PM5D is able to understand, send, and receive.

In addition to the messages described here, you can use the MIDI REMOTE function or the MIDI EVENT settings of the SCENE function to transmit any type of command.

1 CHANNEL MESSAGE

1.1 NOTE OFF (8n)

Reception

These messages are echoed to MIDI OUT if [OTHER ECHO] is ON. They are received if [Rx CH] matches, and used to control effects.

```
STATUS 10000000 8n Note off message
DATA 00000000 nn Note number
      00000000 vv Velocity (ignored)
```

1.2 NOTE ON (9n)

Reception

These messages are echoed to MIDI OUT if [OTHER ECHO] is ON. They are received if [Rx CH] matches, and used to control effects.

```
STATUS 10010000 9n Note on message
DATA 00000000 nn Note number
      00000000 vv Velocity (1-127, on, 0:off)
```

1.3 CONTROL CHANGE (Bn)

Two types of control change can be transmitted and received: [NRPN] (Non-Registered Parameter Numbers) and freely-assigned [TABLE] (16CH x 110) messages. Select either [TABLE] or [NRPN].

Reception

These messages are echoed to MIDI OUT if [Control Change ECHO] is ON. If [TABLE MULTI] is selected, these messages are received when [Control Change Rx] is ON, and will control parameters according to the settings of the [Control assign table]. If [TABLE SINGLE] is selected, these messages are received when [Control Change Rx] is ON and [Rx CH] matches, and will control parameters according to the settings of the [Control assign table]. If [NRPN] is selected, these messages are received when [Control Change Rx] is ON and the [Rx CH] matches; the four messages NRPN control number (62h, 63h) and DATA ENTRY control number (06h, 26h) are used to control the specified parameter.

Transmission

If [TABLE MULTI] is selected, and if [Control Change Tx] is ON when you operate a parameter that is assigned in the [Control assign table], these messages will be transmitted. If [TABLE SINGLE] is selected, and if [Control Change Tx] is ON when you operate a parameter that is assigned in the [Control assign table], these messages are transmitted on the [Tx CH] channel. If [NRPN] is selected, and if [Control Change Tx] is ON when you operate a specified parameter, the four messages NRPN control number (62h, 63h) and DATA ENTRY control number (06h, 26h) are transmitted on the [Tx CH] channel.

Control Change messages are not used for transmission to PM5D Editor because there is no guarantee that the contents of the assignment tables will match. (Parameter Change messages are always used.)

Control Change numbers 0 and 32 are for selecting banks.

```
STATUS 10110000 8n Control change
DATA 00000000 00 Control number (00)
      00000000 vv Control Value (0-127)

STATUS 10110000 8n Control change
DATA 00000000 32 Control number (32)
      00000000 vv Control Value (0-127)
```

If [TABLE] is selected

```
STATUS 10110000 8n Control change
DATA 00000000 00 Control number (1-31, 33-95, 102-119)**
      00000000 vv Control Value (0-127)
```

** Numbers 0, 32, and 96-101 cannot be used.

Equation for converting a Control Value to parameter data

```
paramSteps = paramMax - paramMin + 1;
add = paramWidth / paramSteps;
mod = paramWidth - add * paramSteps;
curValue = param * add + mod / 2;
```

(1) If the assigned parameter has fewer than 128 steps

$rxValue = 128 \cdot curValue \cdot Control\ value$

(2) If the assigned parameter has 128 or more but less than 16,384 steps

$paramWidth = 16384$

(2-1) When High and Low data is received

$rxValue = Control\ value(High) \cdot 128 + Control\ value(Low)$

(2-2) When Low data is received

$rxValue = (curValue \& 16256) + Control\ value(Low)$

(2-3) When High data is received

$rxValue = Control\ value(High) \cdot 128 + (curValue \& 127)$

(3) If the assigned parameter has 16,384 or more but less than 2,097,152 steps

$paramWidth = 2097152$

(3-1) When High, Middle, and Low data is received

$rxValue = Control\ value(High) \cdot 16384 + Control\ value(Middle) \cdot 128 + Control\ value(Low)$

(3-2) When only Low data is received

$rxValue = (curValue \& 2097024) + Control\ value(Low)$

(3-3) When only Middle data is received

$rxValue = (curValue \& 2080896) + Control\ value(Middle) \cdot 128$

(3-4) When only High data is received

$rxValue = (curValue \& 16383) + Control\ value(High) \cdot 16384$

(3-5) When only Middle and Low data is received

$rxValue = (curValue \& 2080768) + Control\ value(Middle) \cdot 128 + Control\ value(Low)$

(3-6) When only High and Low data is received

$rxValue = (curValue \& 19256) + Control\ value(High) \cdot 16384 + Control\ value(Low)$

(3-7) When only High and Middle data is received

$rxValue = (curValue \& 127) + Control\ value(High) \cdot 16384 + Control\ value(Middle) \cdot 128$

If ($rxValue > paramWidth$)

$rxValue = paramWidth$

$param = (rxValue - mod / 2) / add$

If [NRPN] is selected

```
STATUS 10110000 8n Control change
DATA 01000010 62 NRPN LSB
      00000000 00 Parameter number LSB

STATUS 10110000 8n Control change *
DATA 01000011 63 NRPN MSB
      00000000 00 Parameter number MSB

STATUS 10110000 8n Control change *
DATA 00000010 06 Data entry MSB
      00000000 00 Parameter data MSB

STATUS 10110000 8n Control change *
DATA 00100110 26 Data entry LSB
      00000000 00 Parameter data LSB
```

* The STATUS byte of the second and subsequent messages need not be added during transmission. Reception must occur correctly whether or not the status byte is omitted.

1.4 PROGRAM CHANGE (Cn)

Reception

If [Program Change ECHO] is ON, bank select messages will also be echoed from MIDI OUT.
 If SINGLE CH is selected, these messages are received if [Program Change RX] is ON and the [Rx CH] matches. However if [OMNI] is ON, these messages are received regardless of the channel. When these messages are received, scene memories are recalled according to the settings of the [Program Change Table].

Transmission

If [Program Change] is ON, these messages are transmitted according to the [Program Change Table] settings when a scene memory is recalled.
 If SINGLE CH is selected, these messages are transmitted on the [Tx CH] channel.
 If the recalled scene has been assigned to more than one program number, the lowest-numbered program number for each MIDI channel will be transmitted. Program Change messages are not used for transmission to PM5D Editor because there is no guarantee that the contents of the assignment tables will match. (Parameter Change messages are always used.)
 You can choose either MULTI MIDI CH or SINGLE CH.

If SINGLE is selected

You can choose the RX CH, OMNI CH, and TX CH.
 You can choose whether a bank select message will be added.
 A bank of up to 16 can be specified.

If MULTI is selected

The RX and TX channels will be the same.
 The assignment table will use the settings for each MIDI channel. Bank select messages will not be added.
 You can make settings for up to sixteen MIDI channels.

```
STATUS 11000000 Cn Program change
DATA 00000000 n Program number (0-127)
```

2 SYSTEM REALTIME MESSAGE

2.1 TIMING CLOCK (F8)

Reception

This message is used to control effects. This message is transmitted twenty-four times per quarter note.
 Echoing of this message depends on the OTHER item in the ECHO settings.

```
STATUS 11111000 F8 Timing clock
```

2.2 ACTIVE SENSING (FE)

Reception

Once this message has been received, MIDI communication will be initialized (e.g., Running Status will be cleared) if no message is received for an interval of 400 ms.
 This message is not subject to echoing.

```
STATUS 11111110 FE Active sensing
```

2.3 SYSTEM RESET (FF)

Reception

When this message is received, MIDI communication will be initialized (e.g., Running Status will be cleared).
 This message is not subject to echoing.

```
STATUS 11111111 FF System reset
```

3 System Exclusive Message

3.1 Real Time System Exclusive

Command	rx/tx	function
F0 7F dd 06 - F7 MMC COMMAND	tx	MMC command
F0 7F dd 01 - F7 MIDI LINE CODE	tx	Full message

3.2 Bulk Dump

This message is used to send or receive the contents of various memories stored within the PM5D.

The basic format is as follows:

Command	rx/tx	function
F0 43 0n 3E 0B 0B 0F D0 D1 D2 - C8 F7 BULK DUMP DATA	rx/tx	BULK DUMP DATA
F0 43 2n 3A 0F 0F 01 00 - EE F7 BULK DUMP REQUEST	tx	BULK DUMP REQUEST

The PM5D uses the following data types for a bulk dump:

Data name (D0)	Data Number (D1,2)	tx/rx	function
M	0-500 512 (current data)	tx / rx	Scene Memory & Request
S	512 (current data)	tx / rx	Setup Memory & Request (current setup)
R	0-99 512 (current data)	tx / rx	Input patch library & Request
O	0-50 512 (current data)	tx / rx	Output patch library & Request
H	1-199 512- (channel current data)	tx / rx	Input Channel library & Request
h	1-199 768- (channel current data)	tx / rx	Output Channel library & Request
G	1-199 512- (channel current data)	tx / rx	Gate library & Request
Y	1-199 512- (channel current data)	tx / rx	Congressor library & Request
Q	1-199 512- (channel current data)	tx / rx	Input Equalizer library & Request
q	1-199 768- (channel current data)	tx / rx	Output Equalizer library & Request
P	1-199 512- (GEO 1-12 current data)	tx / rx	GEO Equalizer library & Request
E	1-199 512- (Effect 1-8 current data)	tx / rx	Effect library & Request
W	1-199 512 (current data)	tx / rx	HA library & Request
P'	512 (current data)	tx / rx	Program change table & Request
C'	512 (current data)	tx / rx	Control change table & Request
N	512 (current data)	tx / rx	Plug-in Effect Card Data & Request
A	512 (current data)	tx / rx	Event List & Request

The unique header (Model ID) identifies whether the device is a PM5D. To calculate the check sum, add the bytes starting with the byte after BYTE COUNT (LOW) and ending with the byte before CHECK SUM, take the binary complement, and set bit 7 to 0.
 CHECK SUM = (~sum)&0x7F

Bulk Dumps can be received at any time, and can be transmitted at any time when a Bulk Dump Request is received.
 A Bulk Dump is transmitted on the [Rx CH] channel in response to a Bulk Dump Request.
 In the data portion, seven words of 8-bit data are converted into eight words of 7-bit data.

[Conversion from actual data to bulk data]

```
d[0..6]: actual data
b[0..7]: bulk data
b[0] = 0;
for( i=0; i<7; i++)
    if( d[i]&0x80){
        b[i] |= 1<<(6-i);
    }
    b[i+1] = d[i]&0x7F;
}
```


4.3.2 Function names

FUNCTION NAME	
Store	*LibStr_*
Recall	*LibRcl_*
Store -Unknown Factor- *1	*LibUnStr*

*1 This indicates that the library data has been updated due to an external cause (such as LOAD).

4.3.3 Module names

MODULE NAME	
Scene	*SCENE_*
Input Patch	*INPATCH_*
Output Patch	*OUTPATCH*
Input Channel	*INCHNNL_*
Output Channel	*OUTCHNNL*
Input EQ	*INEQ_*
Output EQ	*OUTEQ_*
Gate	*GATE_*
Comp	*COMP_*
GEQ	*GEQ_*
Effect	*EFFECT_*
HA	*HA_*

Function		Number	Channel	tx/rx	
LibStr_	SCENE	1-500	*5	tx/rx	
	INPATCH 1-	99	*5	tx/rx	
	OUTPATCH LIB	1-99	*5	tx/rx	
	INPUT CHANNEL LIB	1-199	*1	tx/rx	
	OUTPUT CHANNEL LIB	1-199	*2 *3 *4	tx/rx	
	INPUT EQ LIB	41-199	*1	tx/rx	
	OUTPUT EQ LIB	4-199	*2 *3 *4	tx/rx	
	GATE LIB	5-199	*1	tx/rx	
	COMP LIB	37-199	*1 *2 *3 *4	tx/rx	
	GEQ LIB	1-199	*6	tx/rx	
	EFFECT LIB	48-199	*7	tx/rx	
	HA LIB	1-199	*5	tx/rx	
	LibUnStr	SCENE	1-500		tx/rx
		INPATCH 1-	99		tx/rx
OUTPATCH LIB		1-99		tx/rx	
INPUT CHANNEL LIB		1-199		tx/rx	
OUTPUT CHANNEL LIB		1-199		tx/rx	
INPUT EQ LIB		41-199		tx/rx	
OUTPUT EQ LIB		4-199		tx/rx	
GATE LIB		5-199		tx/rx	
COMP LIB		37-199		tx/rx	
GEQ LIB		1-199		tx/rx	
EFFECT LIB		48-199		tx/rx	
HA LIB		1-199		tx/rx	
LibRcl_		SCENE	0-500	*5	tx/rx
		INPATCH 0-	99	*5	tx/rx
	OUTPATCH LIB	0-99	*5	tx/rx	
	INPUT CHANNEL LIB	0-199	*1	tx/rx	
	OUTPUT CHANNEL LIB	0-199	*2 *3 *4	tx/rx	
	INPUT EQ LIB	1-199	*1	tx/rx	
	OUTPUT EQ LIB	1-199	*2 *3 *4	tx/rx	
	GATE LIB	1-199	*1	tx/rx	
	COMP LIB	1-199	*1 *2 *3 *4	tx/rx	
	GEQ LIB	0-199	*6	tx/rx	
	EFFECT LIB	1-199	*7	tx/rx	
	HA LIB	0-199	*5	tx/rx	

*1 0: CH1-47:CH48, 48:STIN1L-55:STIN4R, 56:FXRTN 1L-63:FXRTN 4R,

*2 256: MIX1-279:MIX24,

*3 512: MATRIX1-519: MATRIX8,

*4 1024: STEREO1L-1027: STEREO2R

*5 Use 512 if the recall-destination or store-source data is single

*6 0: GEQ1-11: GEQ12

*7 0: Effect1-7: Effect8

4.4 Function Call – Library Edit – (Parameter change)

4.4.1 Format

Reception

This message is received if [Parameter change RX] is ON and [Rx CH] matches the Device number included in the SUB STATUS.

This message is echoed if [Parameter change ECHO] is ON.

When the message is received, the specified memory/library will be edited.

Transmission

In response to a request, a Parameter Change message is transmitted on the [Rx CH].

If [Parameter change ECHO] is ON, the message is transmitted without change.

```

STATUS      11110000 F0 System exclusive message
ID No.      01000011 43 Manufacture's ID number (YAMAHA)
SUB STATUS  0001nnnn 1n n=0-15 (Device number=MIDI Channel)
GROUP ID    00111110 3E Digital mixer
MODEL ID    00001111 0F PM5D
DATA        00000000 00 OTHER DATA
CATEGORY
FUNCTION    01001100 *L* (ASCII CODE) See 4.4.2
NAME
            01101001 *i* (ASCII CODE)
            01100010 *b* (ASCII CODE)
            0FFFFFFF ff (ASCII CODE)
            0FFFFFFF ff (ASCII CODE)
            0FFFFFFF ff (ASCII CODE)
            0FFFFFFF ff (ASCII CODE)
            0FFFFFFF ff (ASCII CODE)
MODULE NAME 0nnnnnnnnn mm (ASCII CODE) See 4.4.3
            0nnnnnnnnn mm (ASCII CODE)
            0nnnnnnnnn mm (ASCII CODE)
            0nnnnnnnnn mm (ASCII CODE)
            0nnnnnnnnn mm (ASCII CODE)
            0nnnnnnnnn mm (ASCII CODE)
            0nnnnnnnnn mm (ASCII CODE)
            0nnnnnnnnn mm (ASCII CODE)
            0nnnnnnnnn mm (ASCII CODE)
            0nnnnnnnnn mm (ASCII CODE)
            0nnnnnnnnn mm (ASCII CODE)
DATA        0nnnnnnnnn mh number -source start High
            0nnnnnnnnn ml number -source start Low
            0nnnnnnnnn mh number -source end High
            0nnnnnnnnn ml number -source end Low
            0nnnnnnnnn mh number -destination start High
            0nnnnnnnnn ml number -destination to start Low
EOX         11110111 F7 End of exclusive
    
```

4.4.2 Function names

FUNCTION NAME	
Copy	*LibCpy_*
Paste	*LibPst_*
Clear	*LibClr_*
Cut	*LibCut_*
Insert	*LibIns_*

4.4.3 Module names

MODULE NAME	
Scene	*SCENE_*

4.5 Function Call – Library Attribute –

4.5.1 Title (Parameter change) format

Reception

This message is received if [Parameter change RX] is ON and [Rx CH] matches the Device number included in the SUB STATUS.

This message is echoed if [Parameter change ECHO] is ON.

When the message is received, the title of the specified memory/library will be edited.

Transmission

In response to a request, a Parameter Change message is transmitted on the [Rx CH].

If [Parameter change ECHO] is ON, the message is transmitted without change.

```

STATUS      11110000 F0 System exclusive message
ID No.      01000011 43 Manufacture's ID number (YAMAHA)
SUB STATUS  0001nnnn 1n n=0-15 (Device number=MIDI Channel)
GROUP ID    00111110 3E Digital mixer
    
```

```

MODEL ID 00001111 00 PM5D
DATA 00000000 00 OTHER DATA
CATEGORY
FUNCTION NAME 01001100 *L* (ASCII CODE)
01101001 *J* (ASCII CODE)
01100010 *b* (ASCII CODE)
01010100 *F* (ASCII CODE)
01101001 *I* (ASCII CODE)
01110100 *t* (ASCII CODE)
01101100 *j* (ASCII CODE)
01011111 *_* (ASCII CODE)
MODULE NAME 00000000 00 (ASCII CODE) See 4.5.3
00000000 00 (ASCII CODE)
00000000 00 (ASCII CODE)
00000000 00 (ASCII CODE)
00000000 00 (ASCII CODE)
00000000 00 (ASCII CODE)
00000000 00 (ASCII CODE)
00000000 00 (ASCII CODE)
00000000 00 (ASCII CODE)
00000000 00 (ASCII CODE)
DATA 00000000 00 number High
00000000 01 number Low
00000000 00 file 1
00000000 00 file x
EOX 11110111 F7 End of exclusive
    
```

4.5.2 T title (Parameter request) format

Reception

When this is received, a parameter change is transmitted with [Rx CH] as the device number.

```

STATUS 11110000 F0 System exclusive message
ID No. 01000011 43 Manufacturer's ID number (YAMAHA)
SUB STATUS 00110000 30 n=0-15 (Device number=MIDI Channel)
GROUP ID 00111110 3E Digital mixer
MODEL ID 00001111 0F PM5D
DATA 00000000 00 OTHER DATA
CATEGORY
FUNCTION NAME 01001100 *L* (ASCII CODE)
01101001 *J* (ASCII CODE)
01100010 *b* (ASCII CODE)
01010100 *F* (ASCII CODE)
01101001 *I* (ASCII CODE)
01110100 *t* (ASCII CODE)
01101100 *j* (ASCII CODE)
01011111 *_* (ASCII CODE)
MODULE NAME 00000000 00 (ASCII CODE) See 4.5.3
00000000 00 (ASCII CODE)
00000000 00 (ASCII CODE)
00000000 00 (ASCII CODE)
00000000 00 (ASCII CODE)
00000000 00 (ASCII CODE)
00000000 00 (ASCII CODE)
00000000 00 (ASCII CODE)
00000000 00 (ASCII CODE)
DATA 00000000 00 number High
00000000 01 number Low
EOX 11110111 F7 End of exclusive
    
```

4.5.3 Title module names

MODULE NAME		number	size
SCENE LIB	"SCENE_"	0-500.512 (0: response only)	16
INPATCH LIB	"INPATCH_"	0-99 (0: response only)	16
OUTPATCH LIB	"OUTPATCH"	0-99 (0: response only)	16
INPUTCHANNEL LIB	"INCHNNL_"	0-199 (0-1: response only)	16
OUTPUT CHANNEL LIB	"OUTCHNNL_"	0-199 (0-1: response only)	16
INPUT EQ LIB	"INEQ_ "	1-199 (1-40: response only)	16
OUTPUT EQ LIB	"OUTEQ_ "	1-199 (1-3: response only)	16
GATE LIB	"GATE_ "	1-199 (1-4: response only)	16
COMP LIB	"COMP_ "	1-199 (1-36: response only)	16
GRQ LIB	"GRQ_ "	1-199 (1-52: response only)	16
EFFECT LIB	"EFFECT_ "	0-199 (0: response only)	16
HALID	"HA_ "	0-199 (0: response only)	16

4.5.4 Protect (Parameter change) format

```

STATUS 11110000 F0 System exclusive message
ID No. 01000011 43 Manufacturer's ID number (YAMAHA)
SUB STATUS 00010000 10 n=0-15 (Device number=MIDI Channel)
GROUP ID 00111110 3E Digital mixer
MODEL ID 00001111 0F PM5D
DATA 00000000 00 OTHER DATA
CATEGORY
FUNCTION NAME 01001100 *L* (ASCII CODE)
01101001 *J* (ASCII CODE)
01100010 *b* (ASCII CODE)
01010000 *F* (ASCII CODE)
01110010 *e* (ASCII CODE)
01110100 *t* (ASCII CODE)
01100011 *c* (ASCII CODE)
01011111 *_* (ASCII CODE)
MODULE NAME 00000000 00 (ASCII CODE) See 4.5.8
00000000 00 (ASCII CODE)
00000000 00 (ASCII CODE)
00000000 00 (ASCII CODE)
00000000 00 (ASCII CODE)
00000000 00 (ASCII CODE)
00000000 00 (ASCII CODE)
00000000 00 (ASCII CODE)
00000000 00 (ASCII CODE)
DATA 00000000 00 number High
00000000 01 number Low
00000000 00 data (unprotected:0, protected:1, read only:2)
EOX 11110111 F7 End of exclusive
    
```

4.5.5 Protect (Parameter request) format

Reception

When this is received, a parameter change is transmitted with [Rx CH] as the device number.

```

STATUS 11110000 F0 System exclusive message
ID No. 01000011 43 Manufacturer's ID number (YAMAHA)
SUB STATUS 00110000 30 n=0-15 (Device number=MIDI Channel)
GROUP ID 00111110 3E Digital mixer
MODEL ID 00001111 0F PM5D
DATA 00000000 00 OTHER DATA
CATEGORY
FUNCTION NAME 01001100 *L* (ASCII CODE)
01101001 *J* (ASCII CODE)
01100010 *b* (ASCII CODE)
01010000 *F* (ASCII CODE)
01110010 *e* (ASCII CODE)
01110100 *t* (ASCII CODE)
01100011 *c* (ASCII CODE)
01011111 *_* (ASCII CODE)
MODULE NAME 00000000 00 (ASCII CODE) See 4.5.8
00000000 00 (ASCII CODE)
00000000 00 (ASCII CODE)
00000000 00 (ASCII CODE)
00000000 00 (ASCII CODE)
00000000 00 (ASCII CODE)
00000000 00 (ASCII CODE)
00000000 00 (ASCII CODE)
00000000 00 (ASCII CODE)
DATA 00000000 00 number High
00000000 01 number Low
EOX 11110111 P7 End of exclusive
    
```

4.5.6 Protect module names

MODULE NAME		number	size
SCENE LIB	"SCENE_"	0-500,512 (0=response only)	16

4.5.7 Link format (Parameter change)

Reception

This message is received if [Parameter change RX] is ON and [Rx CH] matches the Device number included in the SUB STATUS.

This message is echoed if [Parameter change ECHO] is ON.

When the message is received, the link settings of the specified memory/library will be edited.

Transmission

In response to a request, a Parameter Change message is transmitted on the [Rx CH].

If [Parameter change ECHO] is ON, the message is transmitted without change.

```

STATUS      11110000 F0 System exclusive message
ID No.      01000011 43 Manufacturer's ID number (YAMAHA)
SUB STATUS  00010000 1n n=0-15 (Device number=MIDI Channel)
GROUP ID    00111110 3E Digital mixer
MODEL ID    00001111 0F PM5D
DATA        00000000 00 OTHER DATA
CATEGORY
FUNCTION
NAME
    
```

```

NAME
    01101001 *1* (ASCII CODE)
    01100010 *b* (ASCII CODE)
    01010000 *L* (ASCII CODE)
    01101000 *i* (ASCII CODE)
    01101110 *n* (ASCII CODE)
    01101011 *k* (ASCII CODE)
    01011111 *_* (ASCII CODE)
    
```

```

MODULE NAME 00000000 00 (ASCII CODE) See 4.5.9
00000000 00 (ASCII CODE)
00000000 00 (ASCII CODE)
00000000 00 (ASCII CODE)
00000000 00 (ASCII CODE)
00000000 00 (ASCII CODE)
00000000 00 (ASCII CODE)
00000000 00 (ASCII CODE)
    
```

```

DATA 00000000 00 library number High
00000000 01 library number Low
00000000 00 linked library (ASCII CODE) *1 See 4.5.10
00000000 00 linked library (ASCII CODE) *1
00000000 00 linked library (ASCII CODE) *1
00000000 00 linked library (ASCII CODE) *1
00000000 00 linked library (ASCII CODE) *1
00000000 00 linked library (ASCII CODE) *1
00000000 00 linked library (ASCII CODE) *1
00000000 00 linked library (ASCII CODE) *1
00000000 00 linked library (ASCII CODE) *1
00000000 01 linked library number Low *1
00000000 00 data (nlinked:0, linked:1) *1
    
```

EOX 11110111 F7 End of exclusive
 *1 If this portion is repeated multiple times, this means that a single packet contains link data for multiple libraries.

4.5.8 Link format (Parameter request)

Reception

When this is received, a parameter change is transmitted with [Rx CH] as the device number.

For the function and number, refer to the table in 4.5.7.

```

STATUS      11110000 F0 System exclusive message
ID No.      01000011 43 Manufacturer's ID number (YAMAHA)
SUB STATUS  00110000 3c n=0-15 (Device number=MIDI Channel)
GROUP ID    00111110 3E Digital mixer
MODEL ID    00001111 0F PM5D
DATA        00000000 00 OTHER DATA
CATEGORY
FUNCTION
NAME
    01101001 *1* (ASCII CODE)
    01100010 *b* (ASCII CODE)
    01010000 *L* (ASCII CODE)
    01101001 *i* (ASCII CODE)
    
```

```

01101110 *n* (ASCII CODE)
01101011 *k* (ASCII CODE)
01011111 *_* (ASCII CODE)
MODULE NAME 00000000 00 (ASCII CODE) See 4.5.9
00000000 00 (ASCII CODE)
00000000 00 (ASCII CODE)
00000000 00 (ASCII CODE)
00000000 00 (ASCII CODE)
00000000 00 (ASCII CODE)
00000000 00 (ASCII CODE)
00000000 00 (ASCII CODE)
00000000 00 (ASCII CODE)
00000000 00 (ASCII CODE)
DATA 00000000 00 library number High
00000000 01 library number Low
00000000 00 linked library (ASCII CODE) *1 See 4.5.10
00000000 00 linked library (ASCII CODE) *1
00000000 00 linked library (ASCII CODE) *1
00000000 00 linked library (ASCII CODE) *1
00000000 00 linked library (ASCII CODE) *1
00000000 00 linked library (ASCII CODE) *1
00000000 00 linked library (ASCII CODE) *1
EOX 11110111 F7 End of exclusive
    
```

*1 If this portion does not exist, it is assumed that all information for the specified library and number is being requested.

4.5.9 Library module names

MODULE NAME		number
SCENE LIB	"SCENE_"	0-500,512 (0=response only)

4.5.10 Linked library module names

MODULE NAME		number
INFATCH LIB	"INFATCH_"	0-99
OUTPATCH LIB	"OUTPATCH_"	0-99
HA LIB	"HA_"	0-199

4.6 Function Call – Module –

4.6.1 Effect Trigger (Parameter change) format

Reception

This message is received if [Parameter change RX] is ON and [Rx CH] matches the Device number included in the SUB STATUS. This message is echoed if [Parameter change ECHO] is ON.

When this message is received, the corresponding effect function will operate (depends on the effect type).

```

STATUS      11110000 F0 System exclusive message
ID No.      01000011 43 Manufacturer's ID number (YAMAHA)
SUB STATUS  00010000 1n n=0-15 (Device number=MIDI Channel)
GROUP ID    00111110 3E Digital mixer
MODEL ID    00001111 0F PM5D
DATA        00000000 00 OTHER DATA
CATEGORY
FUNCTION
NAME
    
```

```

NAME
    01001111 *c*
    01100100 *d*
    01000110 *e*
    01111000 *u*
    01010100 *t*
    01110010 *r*
    01100111 *g*
MODULE NAME 00000000 00 (ASCII CODE) See 4.5.2
00000000 00 (ASCII CODE)
00000000 00 (ASCII CODE)
00000000 00 (ASCII CODE)
00000000 00 (ASCII CODE)
00000000 00 (ASCII CODE)
00000000 00 (ASCII CODE)
00000000 00 (ASCII CODE)
    
```

```

DATA 00000000 00 Effect number (0:Effect1 -7:Effect8)
00000000 00 Release0, Press:1
EOX 11110111 F7 End of exclusive
    
```


4.6.2 Effect module names

MODULE NAME		channel
Freeze Play button	"FRZPLAY_"	0:Effect1 - 7:Effect8
Freeze Record button	"FRZREC_"	0:Effect1 - 7:Effect8

Nothing will happen if the Effect Type is different.

4.7 Level Meter Data – Parameter change –

4.7.1 Format (Parameter change)

Once a Level Meter Request is received to enable transmission, the specified meter data will be transmitted at 50 msec intervals for a duration of ten seconds. If you want meter data to be transmitted continuously, you must transmit a Request at intervals of no longer than ten seconds.

Reception

This message is echoed if [Parameter change ECHO] is ON.

Transmission

Once transmission is enabled by a Request, the meter data specified in the Address will be transmitted on the [Rx CH] channel at a specific interval for a specific duration. (The transmission interval and the duration of transmission will differ between models of device.)

Transmission is disabled when the power is cycled, or when PORT settings are changed.

If [Parameter change ECHO] is ON, the message is transmitted without change.

```

STATUS      11110000 F0 System exclusive message
ID No.      01000011 43 Manufacture's ID number (YAMAHA)
SUB STATUS  0001nnnn 1n n=0-15 (Device number=MIDI Channel)
GROUP ID    00111110 3E Digital mixer
MODEL ID    00001111 0F PM5D
DATA        00100001 21 REMOTE LEVEL METER
CATEGORY
DATA        0nnnnnnnnnn nnn ADDRESS UL (See 4.7.3)
            0nnnnnnnnnn nnn ADDRESS LU
            0nnnnnnnnnn nnn ADDRESS LL
            0ddddd d d Data1 H (See 4.7.5) *1
            0ddddd d d Data1 L
            :
            :
EOX         11110111 F7 End of exclusive
    
```

*1 Two types of meter data are provided; data that uses the decay value of the DSP as-is, and data that is converted via a table according to the number of segments in the meter display.

4.7.2 Format (Parameter request)

Reception

This message is received if [Parameter change RX] is ON and [Rx CH] matches the Device number included in the SUB STATUS. This message is echoed if [Parameter change ECHO] is ON.

When this is received, the meter data specified in the Address is transmitted on the [Rx CH] channel at a specific interval for a specific duration.

If this is received with an Address UL = 0x7F, transmission of all meter data will stop (will be disabled) immediately.

Transmission

If [Parameter change ECHO] is ON, the message is transmitted without change.

```

STATUS      11110000 F0 System exclusive message
ID No.      01000011 43 Manufacture's ID number (YAMAHA)
SUB STATUS  0011nnnn 3n n=0-15 (Device number=MIDI Channel)
GROUP ID    00111110 3E Digital mixer
MODEL ID    00001111 0F PM5D
DATA        00100001 21 REMOTE LEVEL METER
CATEGORY
DATA        0nnnnnnnnnn nnn ADDRESS UL (See 4.7.3)
            0nnnnnnnnnn nnn ADDRESS LU
            0nnnnnnnnnn nnn ADDRESS LL
            0ccccccc ch Request Ch Total Number H
            0ccccccc cl Request Ch Total Number L
EOX         11110111 F7 End of exclusive
    
```

4.8 Time Counter Data – Time Code –

4.8.1 Format (Parameter change)

When transmission is enabled by receiving a Remote Time Counter request, Time Counter data is transmitted at 50 ms intervals for a duration of ten seconds. If you want counter data to be transmitted continuously, you must transmit a Request at intervals of no longer than ten seconds.

Reception

This message is echoed if [Parameter change ECHO] is ON.

Transmission

When transmission is enabled by a request, Time Counter data is transmitted for a specific duration.

Transmission is disabled when the power is cycled, or when PORT settings are changed.

If [Parameter change ECHO] is ON, the message is transmitted without change.

```

STATUS      11110000 F0 System exclusive message
ID No.      01000011 43 Manufacture's ID number (YAMAHA)
SUB STATUS  0001nnnn 1n n=0-15 (Device number=MIDI Channel)
GROUP ID    00111110 3E Digital mixer
MODEL ID    00001111 0F PM5D
DATA        00101011 2b Time Counter TC
CATEGORY
DATA        0ddddd d d Hour
            0ddddd d d Minute
            0ddddd d d Second
            0ddddd d d Frame
EOX         11110111 F7 End of exclusive
    
```

4.8.2 Format (Parameter request)

Reception

This message is received if [Parameter change RX] is ON and [Rx CH] matches the Device number included in the SUB STATUS. This message is echoed if [Parameter change ECHO] is ON.

When this message is received, Time Counter data is transmitted on the [Rx CH] channel for a specific duration.

If a message is received with 0x7F as the second byte of the Address, data transmission will be stopped (disabled) immediately.

Transmission

If [Parameter change ECHO] is ON, the message is transmitted without change.

```

STATUS      11110000 F0 System exclusive message
ID No.      01000011 43 Manufacture's ID number (YAMAHA)
SUB STATUS  0011nnnn 3n n=0-15 (Device number=MIDI Channel)
GROUP ID    00111110 3E Digital mixer
MODEL ID    00001111 0F PM5D
DATA        00101011 2b Time Counter TC
CATEGORY
DATA        0ddddd d d 0: Request transmission
            0x7F: Request stop transmission
EOX         11110111 F7 End of exclusive
    
```

DIGITAL MIXING CONSOLE

PM5D/PM5D-RH

PARTS LIST


■ CONTENTS

PM5D OVERALL ASSEMBLY	2
PM5D-RH OVERALL ASSEMBLY	14
PM5D REAR TOP 1 ASSEMBLY	26
PM5D-RH REAR TOP 1 ASSEMBLY R	27
PM5D REAR TOP 2 ASSEMBLY	28
PM5D-RH REAR TOP 2 ASSEMBLY R	29
PM5D-RH REAR TOP 3 ASSEMBLY R	30
BOTTOM CHASSIS ASSEMBLY 3	31
PANEL 1 ASSEMBLY	32
PANEL 2 ASSEMBLY	40
PN3 ASSEMBLY	48
PN4 ASSEMBLY	49
PN6 ASSEMBLY	50
LCD ASSEMBLY	51
ELECTRICAL PARTS	52~192

Notes : DESTINATION ABBREVIATIONS

A : Australian model	M : South African model
B : British model	O : Chinese model
C : Canadian model	Q : South-east Asia model
D : German model	T : Taiwan model
E : European model	U : U.S.A. model
F : French model	V : General export model (110V)
H : North European model	W : General export model (220V)
I : Indonesian model	N,X : General export model
J : Japanese model	Y : Export model
K : Korean model	

■ WARNING

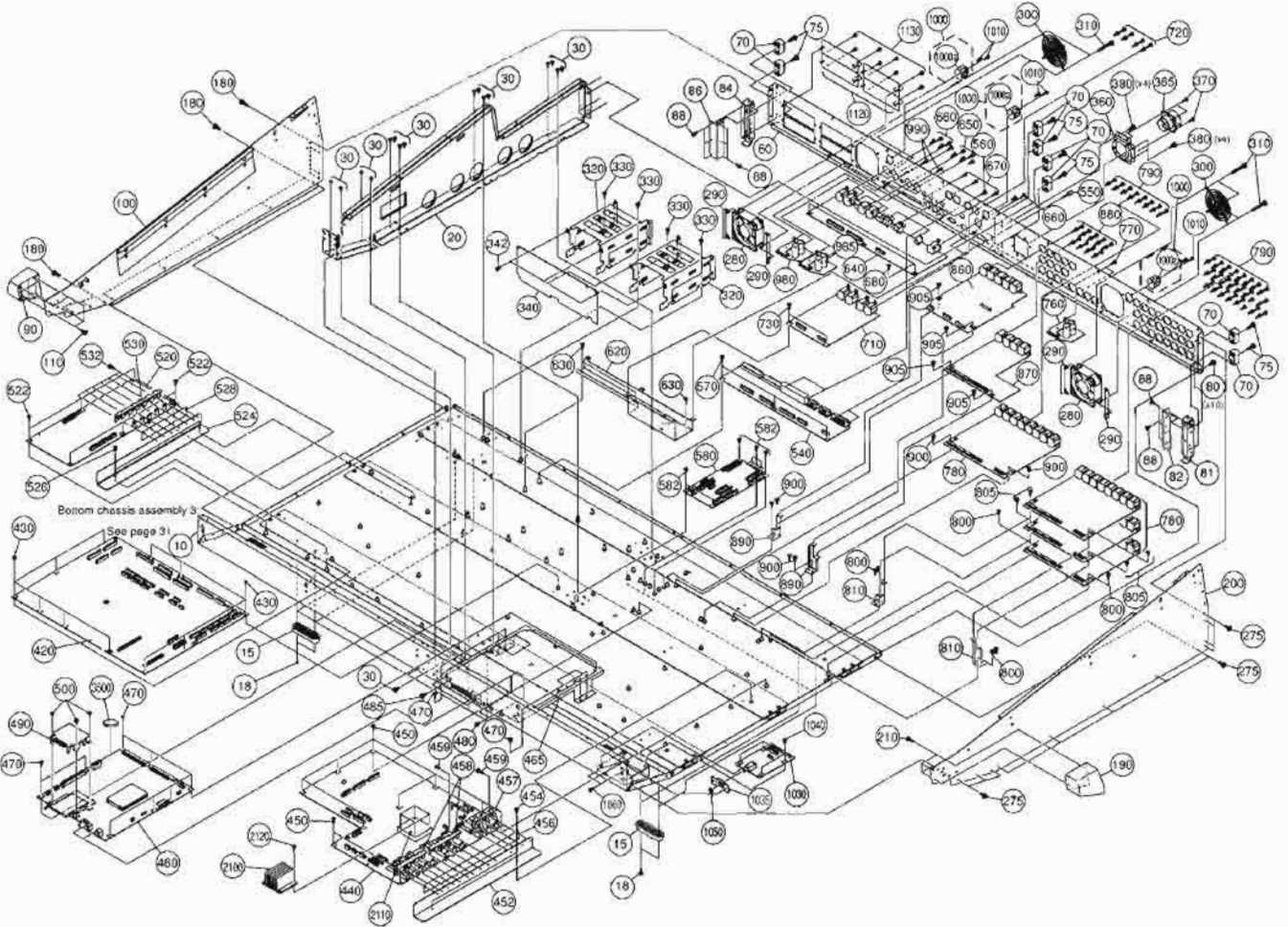
Components having special characteristics are marked  and must be replaced with parts having specification equal to those originally installed.

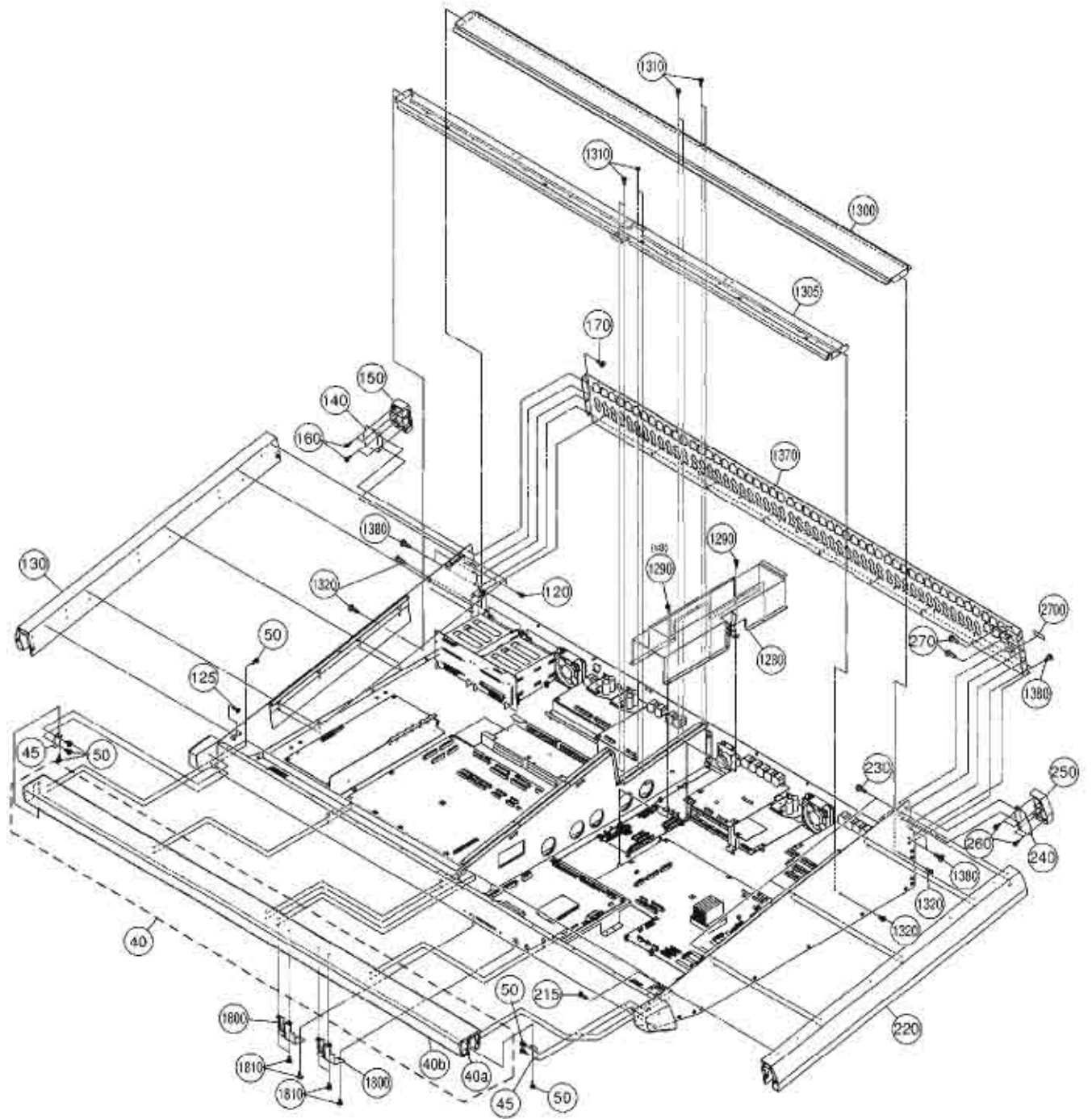


- The numbers "QTY" show quantities for each unit.
- The parts with "-" in "PART NO." are not available as spare parts.
- This mark " * " in the REMARKS column means these parts are interchangeable.
- The second letter of the shaded (=) part number is O, not zero.
- The second letter of the shaded (=) part number is I, not one.

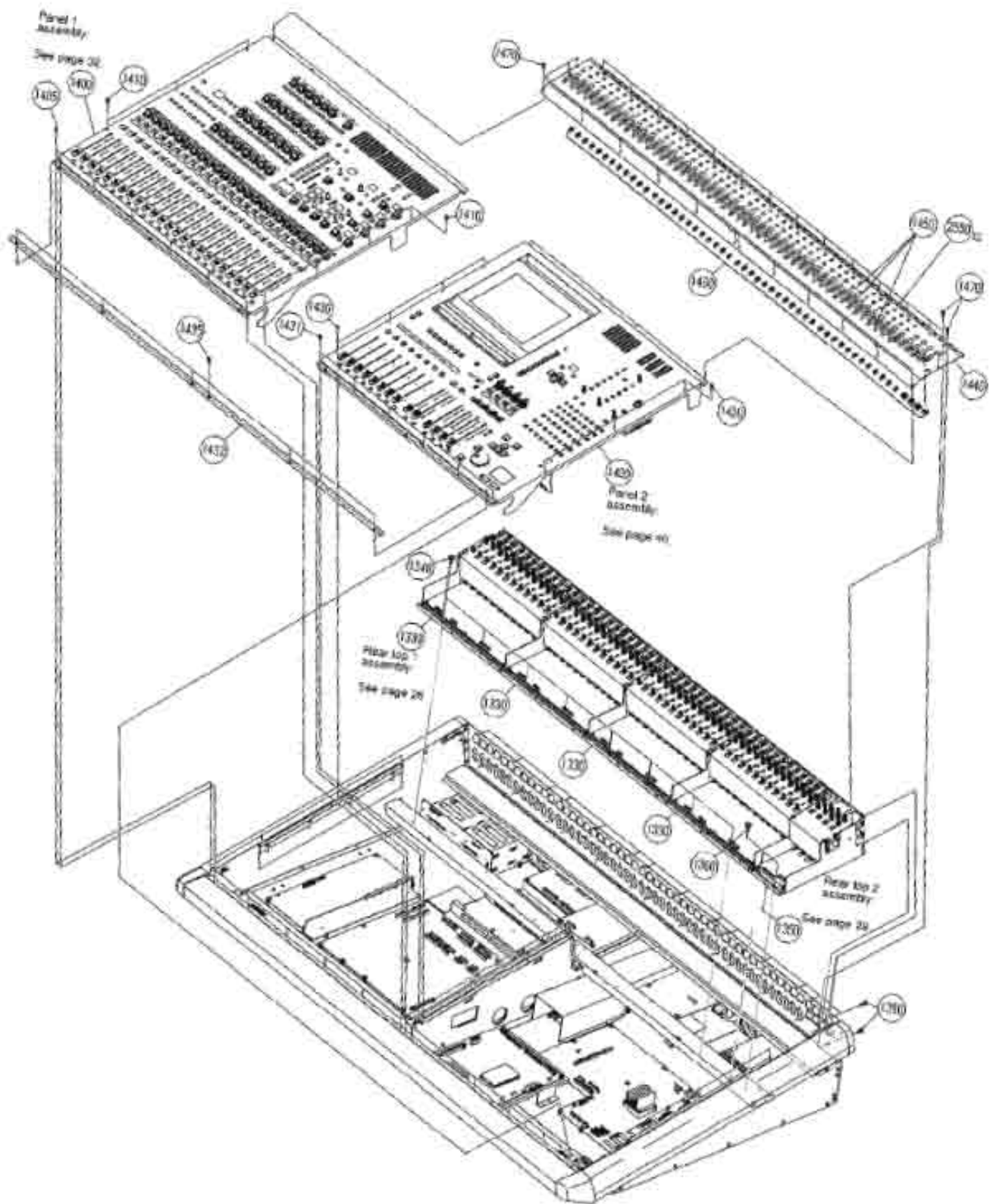
•
•
•
•
•
•

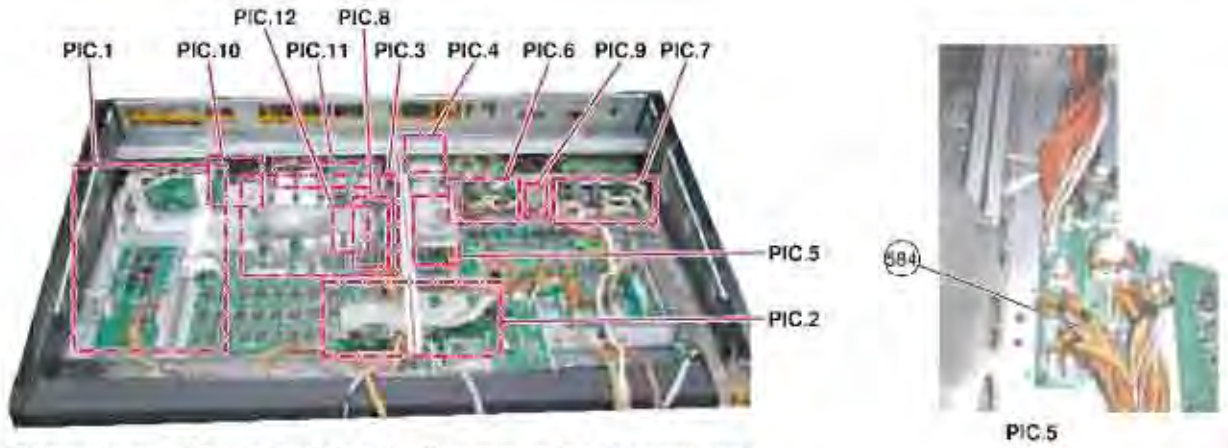
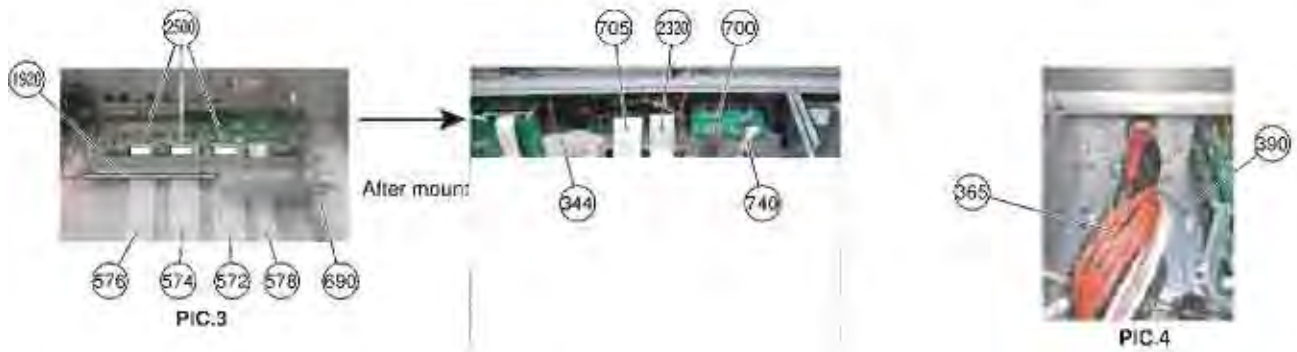
PM5D OVERALL ASSEMBLY



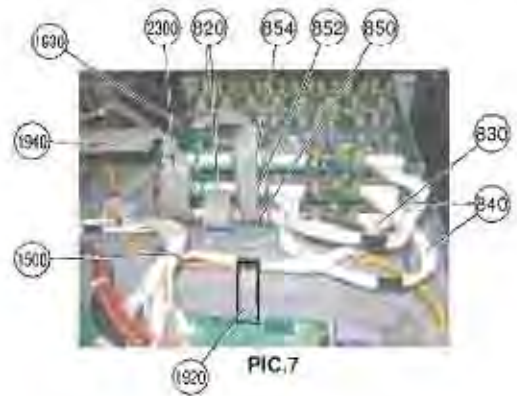
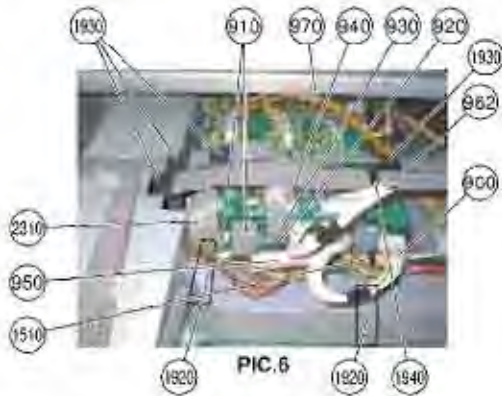
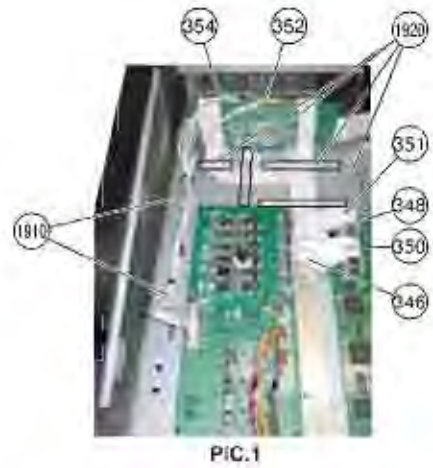


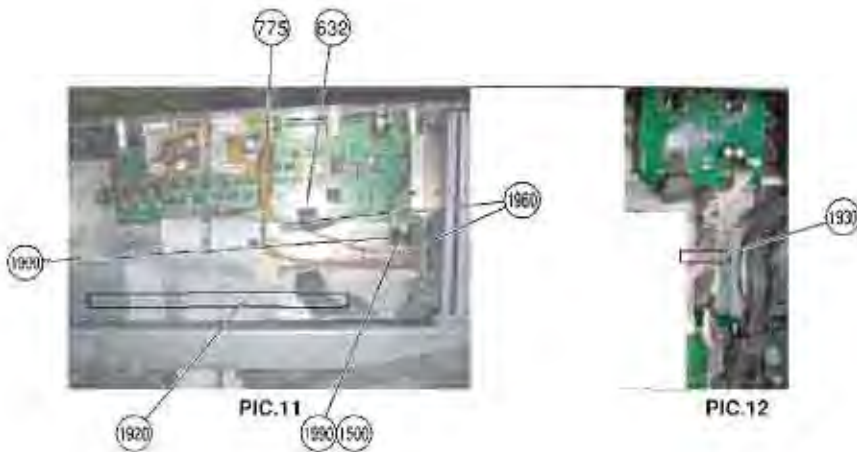
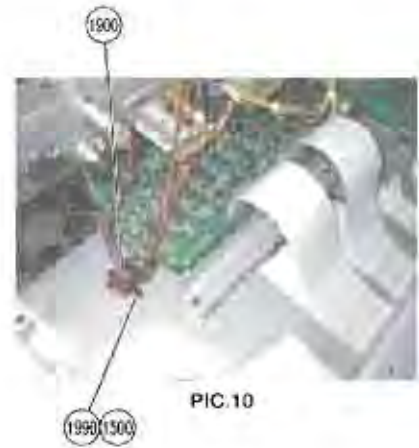
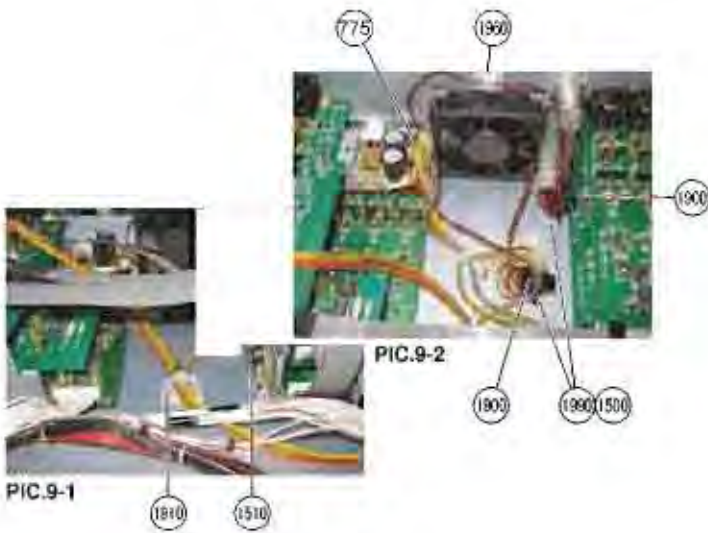
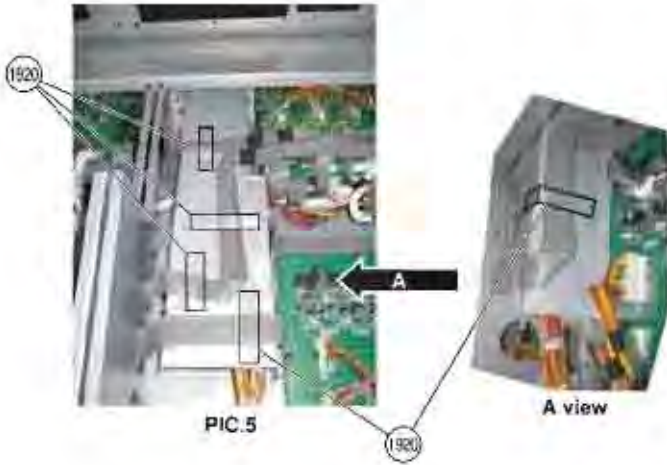
PM5D/PM5D-RH

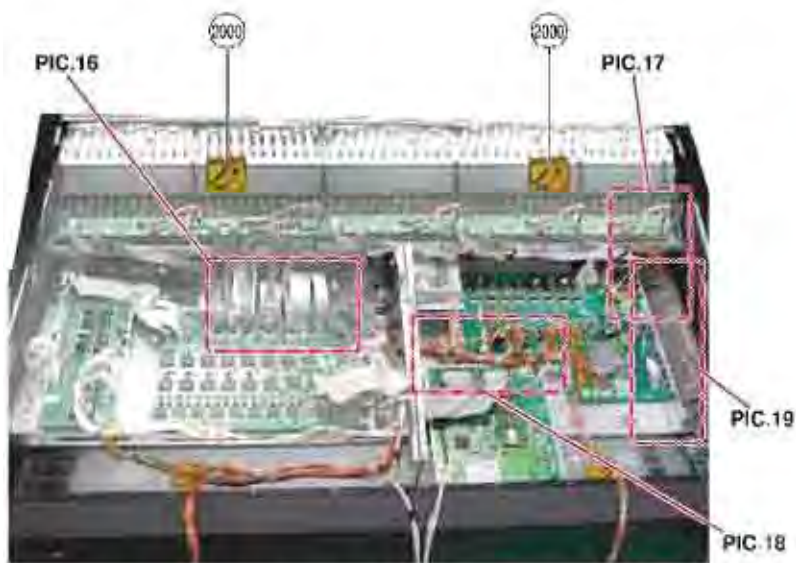
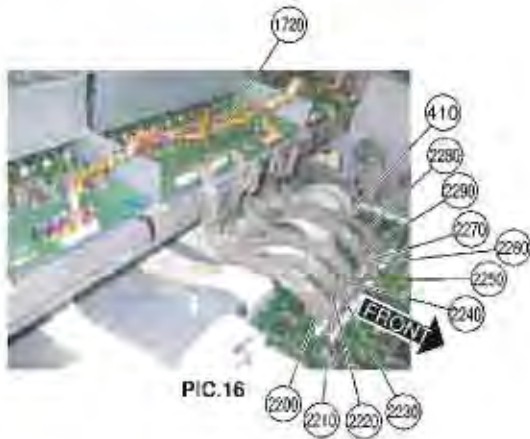




Overall view of bottom wiring (before mounting the rear top)





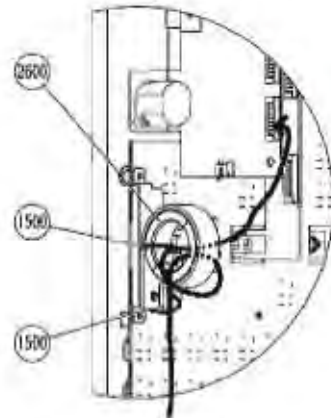


Overall view of bottom wiring (after mounting the rear top)

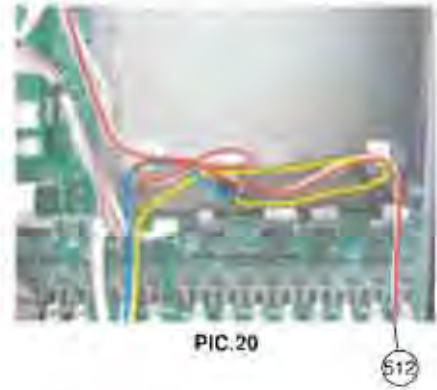




PIC.21



B view



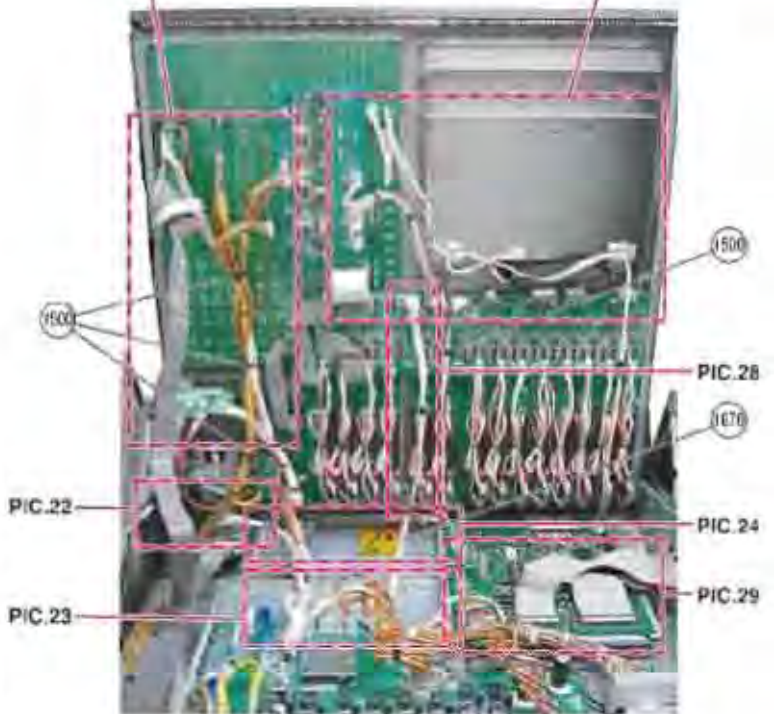
PIC.20



PIC.22

PIC.21

PIC.20



PIC.23

PIC.22

PIC.23

1500

PIC.28

1670

PIC.24

PIC.29



PIC.24



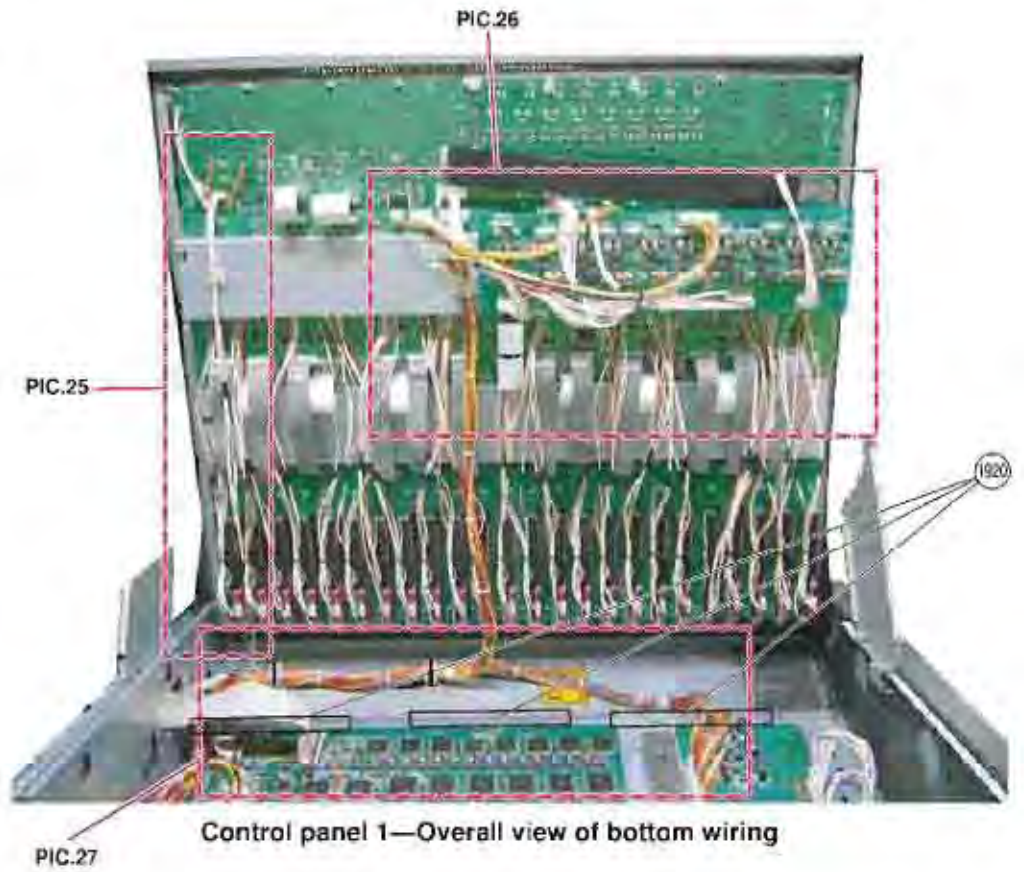
PIC.26



PIC.29



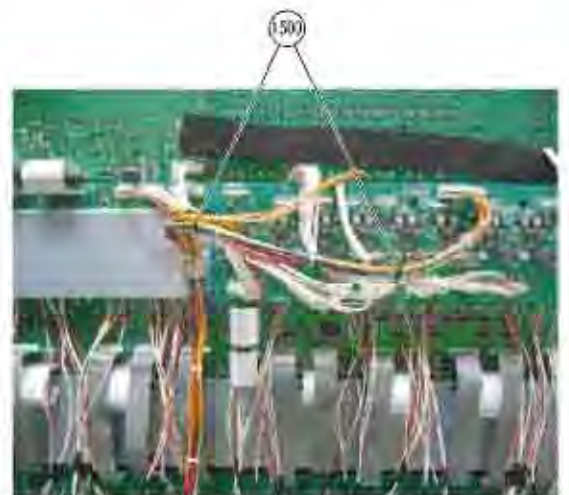
PIC.25



Control panel 1—Overall view of bottom wiring



PIC.27



PIC.26

1940

PM5D/PM5D-RH

REF NO.	PART NO.	DESCRIPTION		REMARKS	QTY	RANK
		OVERALL ASSEMBLY		PM5D		
	--	Overall Assembly		(WA75650)		
10	--	Bottom Chassis Assembly 3		(WC20530)		
15	VN670900	Foot, Mixer			6	07
18	VR525900	Bind Head Tapping Screw-B	4.0X14 MFZN2BL		12	01
20	--	Partition Assembly		(WB34740)		
30	EG340190	Bind Head Tapping Screw-B	4.0X8 MFZN2BL		18	01
40	WA758500	Front Pad Assembly				
40a	--	Frame		(WB41570)		
40b	--	Leather, Front Pad		(WA75850)		
40c	--	Adhesive Tape		(WC66880)		
45	--	Angle, Pad	L-type	(WC39110)	2	
50	EG340190	Bind Head Tapping Screw-B	4.0X8 MFZN2BL		18	01
60	WB349000	Rear Panel Lower				
70	VT451200	Connector Guard			8	05
75	VR138400	Bind Head Tapping Screw-B	4.0X12 MFZN2BL		8	01
80	EG340190	Bind Head Tapping Screw-B	4.0X8 MFZN2BL		10	01
81	--	Guard Holder R1	RIGHT 1	(WB82820)		
82	--	Guard Holder R2	RIGHT 2	(WB82830)		
84	--	Guard Holder L1	LEFT 1	(WB82840)		
86	--	Guard Holder L2	LEFT 2	(WB82850)		
88	VN413300	Bonding Tapping Screw-B	3.0X8 MFZN2BL		12	01
90	WA777400	Corner Pad L	LEFT			
100	WB364200	Side Panel L	LEFT			
110	EP600190	Bind Head Tapping Screw-B	3.0X8 MFZN2BL		4	01
120	EG340190	Bind Head Tapping Screw-B	4.0X8 MFZN2BL		8	01
125	EP600190	Bind Head Tapping Screw-B	3.0X8 MFZN2BL			01
130	WB415800	Side Pad				
140	--	Rear Pad Angle L	LEFT	(WB32860)		
150	WA777200	Rear Pad L	LEFT			
160	EP600190	Bind Head Tapping Screw-B	3.0X8 MFZN2BL		4	01
170	EG340190	Bind Head Tapping Screw-B	4.0X8 MFZN2BL		2	01
180	EG340190	Bind Head Tapping Screw-B	4.0X8 MFZN2BL		13	01
180	WA777500	Corner Pad R	RIGHT			
200	WB364400	Side Panel R	RIGHT			
210	EP600190	Bind Head Tapping Screw-B	3.0X8 MFZN2BL		4	01
215	EP600190	Bind Head Tapping Screw-B	3.0X8 MFZN2BL			01
220	WB415800	Side Pad				
230	EG340190	Bind Head Tapping Screw-B	4.0X8 MFZN2BL		8	01
240	--	Rear Pad Angle R	RIGHT	(WB32880)		
250	WA777300	Rear Pad R	RIGHT			
260	EP600190	Bind Head Tapping Screw-B	3.0X8 MFZN2BL		4	01
270	EG340190	Bind Head Tapping Screw-B	4.0X8 MFZN2BL		2	01
275	EG340190	Bind Head Tapping Screw-B	4.0X8 MFZN2BL		13	01
280	V5789100	Motor	DC KDE1208PTS3-6	Fan	2	09
290	V6444900	Fan Guide			4	02
300	VK949100	Fan Guard	FG-08UL PDR-601		2	06
310	VB671600	Pan Head Screw	SP 4.0X20 MFZN2BL		8	01
320	V8806500	OPT Angle			2	11
330	EP600230	Bind Head Tapping Screw-B	3.0X6 MFZN2BL		8	01
340	WA771100	Circuit Board	OPT			
342	VZ538000	Bind Head Screw	4.0X8 SP MFZN2Y		4	
344	WA560400	Cable, FFC	P=1.25-K-40-400			04
346	WD382300	Cable, FFC	P=1.25-K-32-560			
348	WD382400	Cable, FFC	P=1.25-K-31-360			
350	WD382500	Cable, FFC	P=1.25-K-30-660			
351	WD382600	Cable, FFC	P=1.25-K-24-460			
352	WC222700	Connector Assembly	PH&PH 7P 600L			
354	WC222600	Connector Assembly	POWER VH 10P #18			
360	WC220200	Connector Angle				
365	WC384100	Receptacle Assembly	VH 5P/9P/10P	DC POWER INPUT		
370	EP600190	Bind Head Tapping Screw-B	3.0X8 MFZN2BL		4	01
380	EG340190	Bind Head Tapping Screw-B	4.0X8 MFZN2BL		8	01
390	EG340190	Bind Head Tapping Screw-B	4.0X8 MFZN2BL			01
410	WC962900	Connector Assembly	PH 8P 60L BYPASS			
420	WA771300	Circuit Board	DSP			
430	EP600230	Bind Head Tapping Screw-B	3.0X6 MFZN2BL		11	01
432	WD383400	Jumper Wire	FVP=2C26SB14-2200			
434	WD383500	Jumper Wire	FVP=2C26SB13-1550			
440	WA829700	Circuit Board	BRG1 (BROOM)	(WC21950)		

*: New Parts

RANK: Japan only

REF NO.	PART NO.	DESCRIPTION	REMARKS	QTY	RANK
450	EP600230	Bind Head Tapping Screw-B	3.0X6 MFZN2BL		12 01
452	--	Heat Sink	VEGAS	(WB74900)	
454	EP600230	Bind Head Tapping Screw-B	3.0X6 MFZN2BL		2 01
456	WC220600	Insulation Sheet 1			
457	--	Heat Sink Holder 1		(WD25010)	
458	--	Heat Sink Holder 3		(WD25040)	2
459	VB659000	Bind Head Screw	3.0X8 MFZN2BL		14 01
460	WA771200	Circuit Board	MAIN		
465	--	MAIN Angle Assembly		(WC38410)	
470	EP600230	Bind Head Tapping Screw-B	3.0X6 MFZN2BL		12 01
480	VP157800	Bonding Screw	3.0X8 MFZN2BL		2 01
485	VN413300	Bonding Tapping Screw-B	3.0X8 MFZN2BL		3 01
490	--	PCMCIA Angle		(WC14830)	
500	EP600230	Bind Head Tapping Screw-B	3.0X6 MFZN2BL		3 01
502	WB273300	Flat Cable	80P		
504	WB273400	Flat Cable	100P		
506	VQ637300	Connector Assembly	PH&PH 4P 700L		
510	WD382100	Connector Assembly	PH&PH 6P 900L		
512	WC220500	Connector Assembly	PH&PH 7P 1100L		
520	WC219300	Circuit Board	BRG4		
522	EP600230	Bind Head Tapping Screw-B	3.0X6 MFZN2BL		6 01
524	--	Heat Sink 2	VEGAS	(WB74910)	
526	EP600230	Bind Head Tapping Screw-B	3.0X6 MFZN2BL		2 01
528	WC220700	Insulation Sheet 4			
530	--	Heat Sink Holder 4		(WD25050)	
532	VB659000	Bind Head Screw	3.0X8 MFZN2BL		7 01
540	WA771000	Circuit Board	JK2		
550	VS604900	Hex. Locking Screw	JFS-2.6S-BIW		2 01
560	VN413300	Bonding Tapping Screw-B	3.0X8 MFZN2BL		2 01
570	EP600230	Bind Head Tapping Screw-B	3.0X6 MFZN2BL		3 01
572	WC234600	Cable, FFC	P=1.25-K-37-350		
574	WC234700	Cable, FFC	P=1.25-K-34-350		
576	WC234800	Cable, FFC	P=1.25-K-32-350		
578	WC234900	Cable, FFC	P=1.25-K-22-350		
580	WB804700	Circuit Board	BRG5 (BRCOM)	(WC21950)	
582	EP600230	Bind Head Tapping Screw-B	3.0X6 MFZN2BL		7 01
584	WD298500	Connector Assembly	BRG VH3-10P PH3/5P		
620	--	JK Mount Angle		(WA76020)	
630	EP600230	Bind Head Tapping Screw-B	3.0X6 MFZN2BL		4 01
632	WC231500	Jumper Wire			
640	WA806400	Circuit Board	JK1		
650	VN413300	Bonding Tapping Screw-B	3.0X8 MFZN2BL		6 01
660	VB096700	Bind Head Tapping Screw-B	2.6X8 MFZN2BL		6 01
670	VP157800	Bonding Screw	3.0X8 MFZN2BL		3 01
680	EP600230	Bind Head Tapping Screw-B	3.0X6 MFZN2BL		3 01
690	WC231600	Jumper Wire			
700	WD383900	Jumper Wire	FVP=2.0C26SB13-540		
705	WC234500	Cable, FFC	P=1.25-K-40-350		
710	WA770300	Circuit Board	AN13		
720	VB096700	Bind Head Tapping Screw-B	2.6X6 MFZN2BL		6 01
730	EP600230	Bind Head Tapping Screw-B	3.0X6 MFZN2BL		2 01
740	WC227200	Connector Assembly	PH&PH 12P 850L		
760	WD275600	Circuit Board	DR		
770	VN413300	Bonding Tapping Screw-B	3.0X8 MFZN2BL		2 01
775	WC228000	Connector Assembly	DR&LAMPVR 2/4/12P		
780	WA770600	Circuit Board	DA1		4
790	VN413300	Bonding Tapping Screw-B	3.0X8 MFZN2BL		64 01
800	EP600230	Bind Head Tapping Screw-B	3.0X6 MFZN2BL		6 01
805	EG330360	Bind Head Screw	3.0X6 MFZN2BL		4 01
810	--	DA Mount Angle		(WA76000)	2
820	WC225200	Jumper Wire	FVP=2.0C26SB11-100		2
830	WD390800	Connector Assembly	PH&PH 14P 300L		
840	WD390600	Connector Assembly	PH&PH 14P 160L		2
850	WC754100	Jumper Wire	FVP=2.0C26SB8-940		
852	WD382000	Jumper Wire	FVP=2.0C26SB8-940		
854	WD382000	Jumper Wire	FVP=2.0C26SB8-940		
860	WA770700	Circuit Board	DA2		
870	WA829800	Circuit Board	DA3 (DACOM)	(WB17690)	
880	VN413300	Bonding Tapping Screw-B	3.0X8 MFZN2BL		18 01
890	--	DA Mount Angle		(WA76000)	2

* New Parts

RANK: Japan only

PM5D/PM5D-RH

REFNO	PART NO.	DESCRIPTION		REMARKS	QTY	RANK
900	EP600230	Bind Head Tapping Screw-B	3.0X6 MFZN2BL		6	01
905	EG330360	Bind Head Screw	3.0X6 MFZN2BL		4	01
* 910	WC225200	Jumper Wire	FVP=2.0C26SB11-100		2	
* 920	WD381600	Jumper Wire	FVP=2.0C26SB8-670			
* 930	WD390500	Jumper Wire	FVP=2.0C26SB4-670			
* 940	WD382200	Jumper Wire	FVP=2.0C26SB10-630			
* 950	WC230700	Connector Assembly	PH&PH 14P 400L			
* 960	WC223100	Connector Assembly	PH&PH 14P 200L			
* 962	WD390600	Connector Assembly	PH&PH 14P 160L			
* 970	WC231300	Connector Assembly	MONITOR 3/6/7/9P			
980	V4566200	Circuit Board	DRN			15
985	V5547100	Circuit Board	DRL			15
990	VN413300	Bonding Tapping Screw-B	3.0X8 MFZN2BL		4	01
1000	--	Connector Assembly	CANNON&PH2P	(WE00930)	3	
1000a	V5647300	Cannon Connector	HA16PRK-4S	LAMP	3	07
1010	EE620190	Pan Head Screw	2.8X8 MFN133		6	01
* 1030	WB057300	Circuit Board	PHN2 (DACOM)	(WB17690)		
1035	--	PHN2 Angle		(WC10340)		
1040	EP600230	Bind Head Tapping Screw-B	3.0X6 MFZN2BL		4	01
1050	VJ388000	Hexagonal Nut	9.0 11X2 MFZN2BL			01
1060	VN413300	Bonding Tapping Screw-B	3.0X8 MFZN2BL		2	01
* 1070	WC754700	Jumper Wire	FVP=2.0C26SB13-340			
* 1080	WD383800	Connector Assembly	PH&PH 16P 400L			
* 1090	WC230700	Connector Assembly	PH&PH 14P 400L			
1120	VZ678500	IF Plate			4	05
1130	VP156900	Bind Head Screw	A4.0X12 MFZN2BL		8	01
1260	--	Shield	BRG5	(WD17450)		
1290	EP600230	Bind Head Tapping Screw-B	3.0X6 MFZN2BL		8	01
1300	--	Rear Base Upper		(WB11360)		
1305	--	Rear Base 2 Upper		(WB54940)		
1310	EP600190	Bind Head Tapping Screw-B	3.0X8 MFZN2BL		8	01
1320	EG340190	Bind Head Tapping Screw-B	4.0X8 MFZN2BL		4	01
1330	--	Rear Top 1 Assembly		(WA77580)	4	
1340	EG340190	Bind Head Tapping Screw-B	4.0X8 MFZN2BL		8	01
1340	EG340360	Bind Head Screw	4.0X8 MFZN2BL	Ser.# JAKL01001 and up.	8	01
1350	--	Rear Top 2 Assembly		(WA77580)		
1360	EG340190	Bind Head Tapping Screw-B	4.0X8 MFZN2BL		2	01
1360	EG340360	Bind Head Screw	4.0X8 MFZN2BL	Ser.# JAKL01001 and up.	2	01
* 1370	WB362600	Rear Panel Upper				
1380	EG340190	Bind Head Tapping Screw-B	4.0X8 MFZN2BL		13	01
1390	VP157800	Bonding Screw	3.0X8 MFZN2BL		28	01
1400	--	Panel 1 Assembly		(WA76050)		
1405	VP157800	Bonding Screw	3.0X8 MFZN2BL		6	01
1410	V6055300	Button Bolt	3.0X8 MFZNBL		7	01
1420	--	Panel 2 Assembly		(WA76190)		
1430	V6055300	Button Bolt	3.0X8 MFZNBL		7	01
1431	VP157800	Bonding Screw	3.0X8 MFZN2BL		6	01
* 1432	WC221100	Name Plate				
1435	V6055300	Button Bolt	3.0X8 MFZNBL		6	01
* 1440	WB362400	Control Panel 3				
1450	--	Adhesive Tape	W=3	(VE36240)		
1460	WA773700	LED Lens	2P	PEAK (1-48,ST IN 1-4), SIGNAL (1-48,ST IN 1-4)	56	01
1470	V6055300	Button Bolt	3.0X8 MFZNBL		30	01
1500	CB069250	Cord Holder	BK-1		24	01
1510	CB817510	Cord Binder	S-148		15	03
1520	EP600230	Bind Head Tapping Screw-B	3.0X6 MFZN2BL		9	01
* 1600	WD390900	Connector Assembly	PH&PH 15P 770L			
* 1610	WC231200	Connector Assembly	PHONES 6P/7P/12P			
* 1670	WD384200	Connector Assembly	POWER VH 5P #18			
* 1720	WC396700	Connector Assembly	5/10/11/14/15/16P			
1800	--	Card Protection Holder		(WC60970)	2	
1810	EP640410	Bind Head Tapping Screw-B	4.0X8 MFZN2Y		6	01
1900	VC362700	Ferrite Core	FR25/15/12-1400L		4	04
1910	CB836190	Cord Binder	CKN-10		2	02
1920	VR955400	Filament Tape	W=25 50m			12
1930	--	Acetate Cloth Tape	570F 30m W=15	(VS82580)		
1940	--	Cord Binder	S-126	(VJ77060)	4	
1960	CB825280	Clamper	CKN-05		10	01
1970	CB830310	Clamper	CKN-13		4	02

*: New Parts

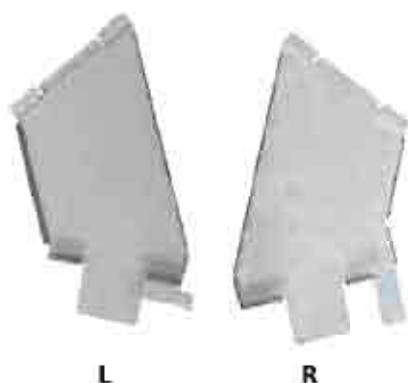
RANK: Japan only

REF NO.	PART NO.	DESCRIPTION	REMARKS	QTY	RANK
1990	CB835590	Band Holder	TMS-20		
2000	--	Caution Label		(VV85650)	4
2100	--	Heat Sink	F-CBS-F5	(WC42370)	
2110	--	Silicon Grease	G-746	(0412125)	
2120	EG330290	Blind Head Screw	SP 3.0X8 MFZN2Y		4
* 2200	WC227900	Jumper Wire	FVP-2.0C26SB12-600		
* 2210	WD381000	Jumper Wire	FVP-2.0C26SB10-570		
* 2220	WC389300	Jumper Wire	FVP-2.0C26SB12-400		
* 2230	WD381100	Jumper Wire	FVP-2.0C26SB10-340		
* 2240	WD381200	Jumper Wire	FVP-2.0C26SB12-580		
2250	V8391900	Jumper Wire	FVP-2.0C26SB10-600		
* 2260	WC389400	Jumper Wire	FVP-2.0C26SB12-650		
* 2270	WD381300	Jumper Wire	FVP-2.0C26SB10-880		
* 2280	WD381400	Jumper Wire	FVP-2.0C26SB9-1110		
* 2290	WC754300	Jumper Wire	FVP-2.0C26SB8-1100		
* 2300	WD381500	Jumper Wire	FVP-2.0C26SB11-910		
* 2310	V9364900	Jumper Wire	FVP-2.0C26SB11-600		
* 2320	WC234400	Cable, FFC	P-1 25-K-36-350		
2330	VQ465400	Cord Holder	AB-200		
2500	--	Sponge Spacer	1	(WD51750)	3
2650	--	Soft Gasket	UC-3E0696	(WD53820)	2
2600	--	Ferrite Core	TRCN-40-27-15	(WD53880)	
2700	--	Label	S CE-CTICK	(V269120)	
3500	VN103300	Lithium Battery	CR2032		
ACCESSORIES					
	V9810000	Lamp	12V 5W JL316A0-18"		3
* a	AAX58120	Lamp Shade			3
* b	AAX58130	Bulb	12V/DC 5W		3
* a	X4459A00	CD-ROM	850MB 12cm		
* a	WC383900	DC Power Supply Cable	UL2464 #16X24 L-3600		
TOOLS					
* a	WB477100	Support JIG 2-R	RIGHT		
* a	WB477200	Support JIG 2-L	LEFT		
* a	WB477300	Support JIG 1-R	RIGHT		
* a	WB477400	Support JIG 1-L	LEFT		
* a	AAX59920	MY SLOT Check Jig Ver.2			4

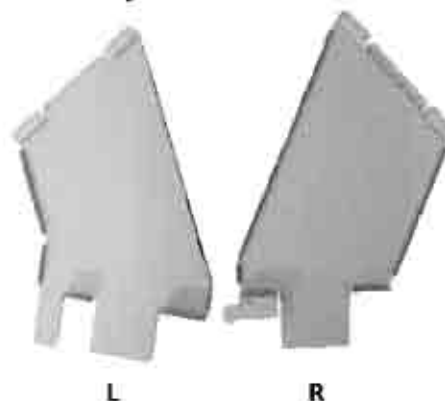
*: New Parts

RANK: j apan only

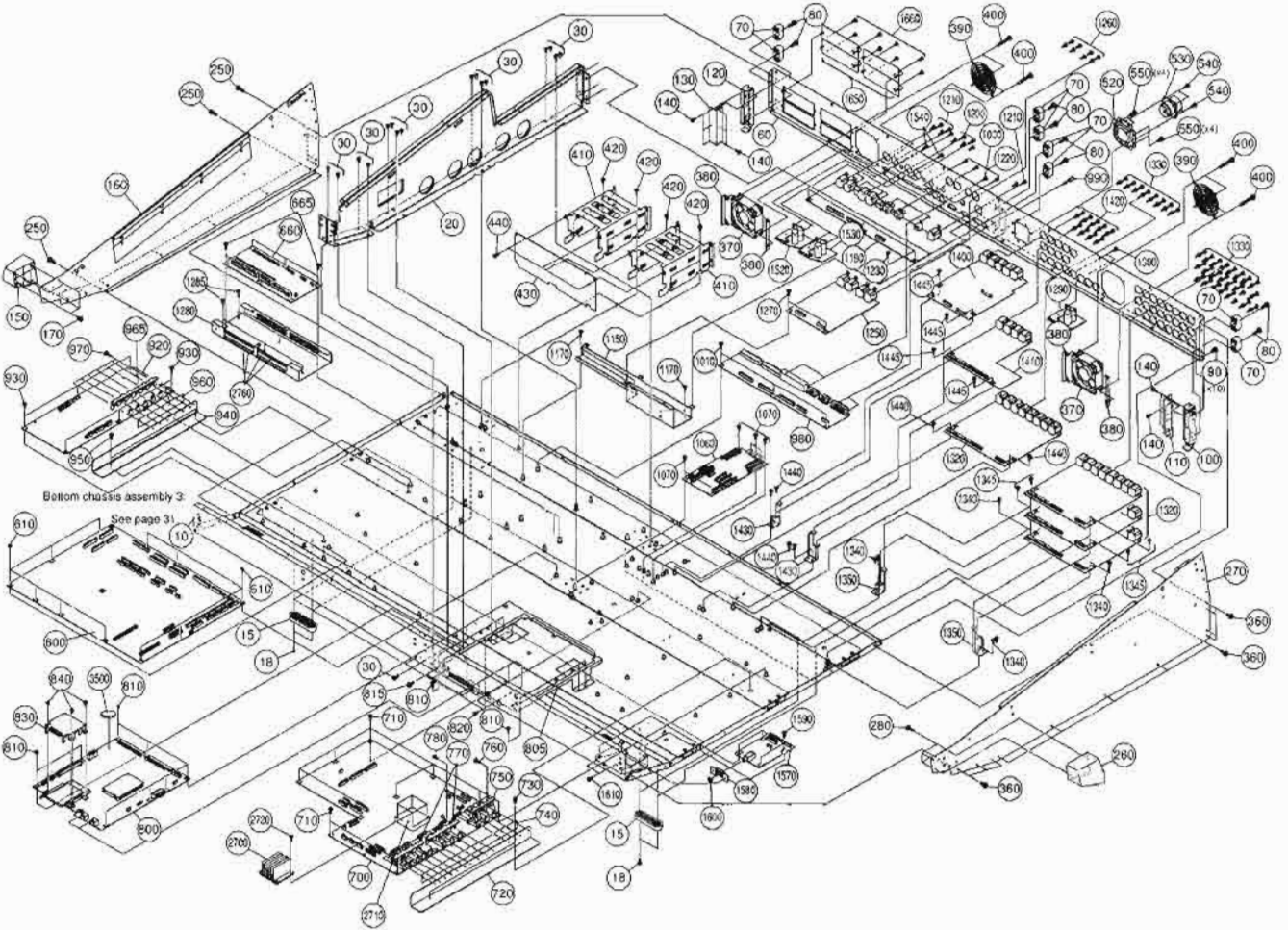
SUPPORT JIG 1

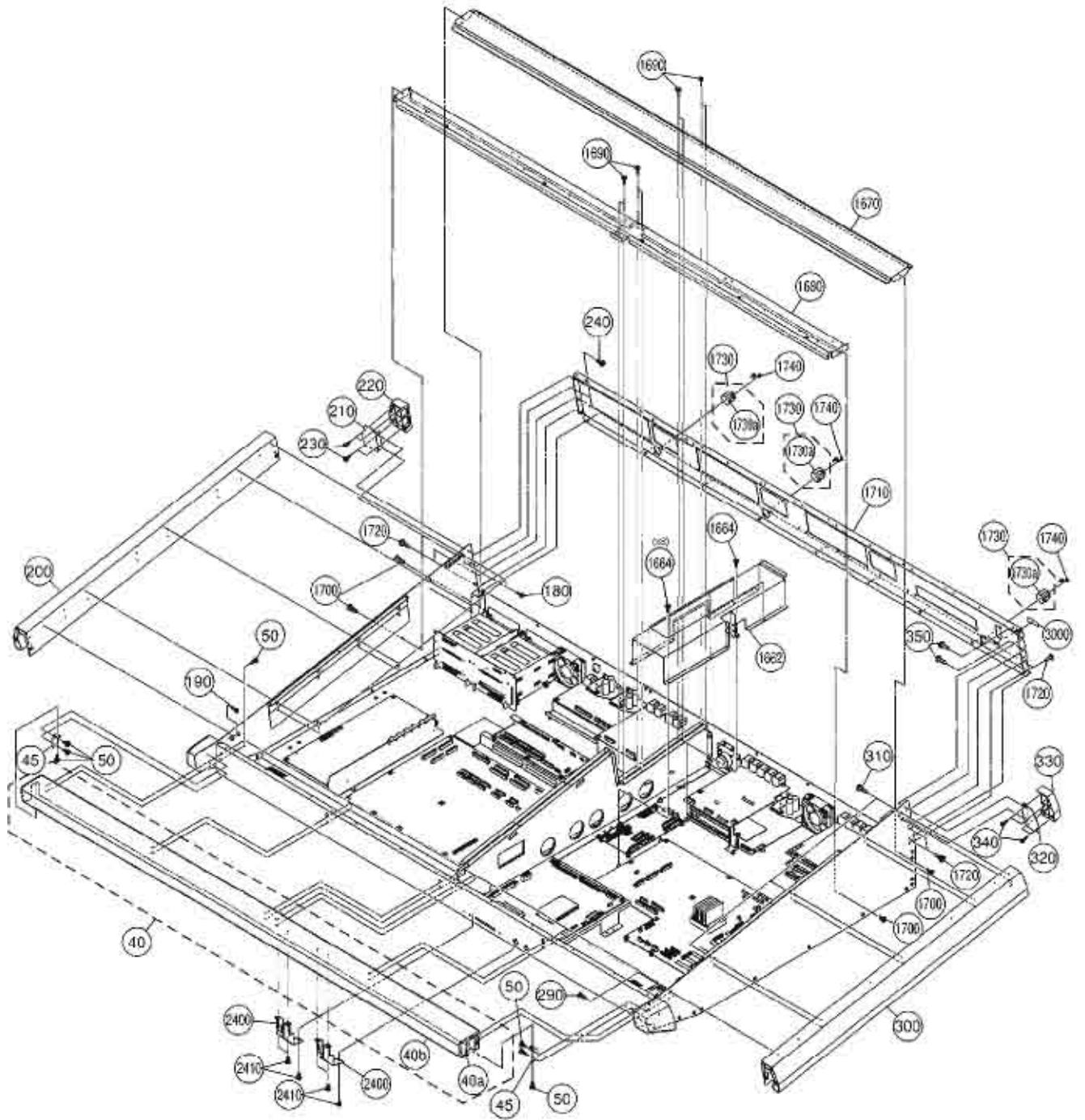


SUPPORT JIG 2

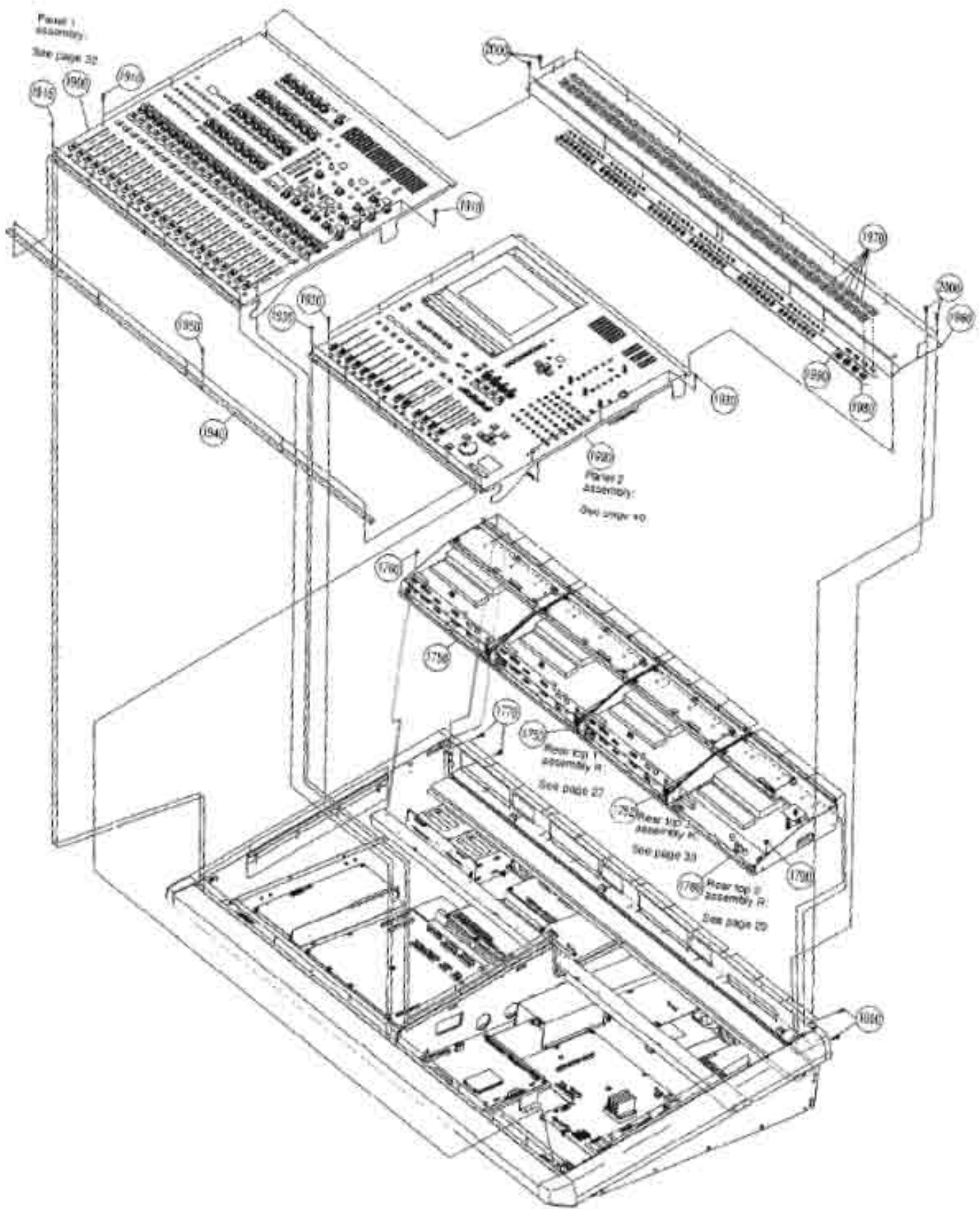


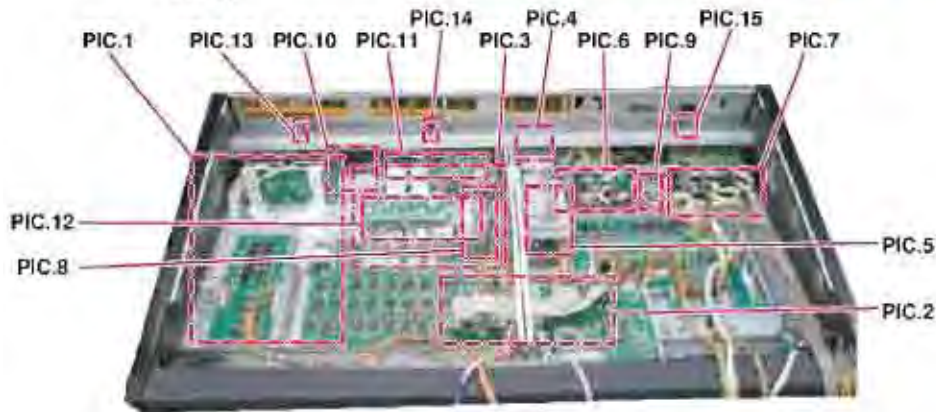
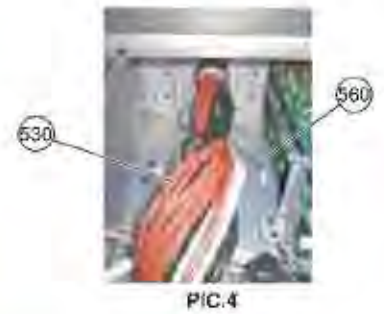
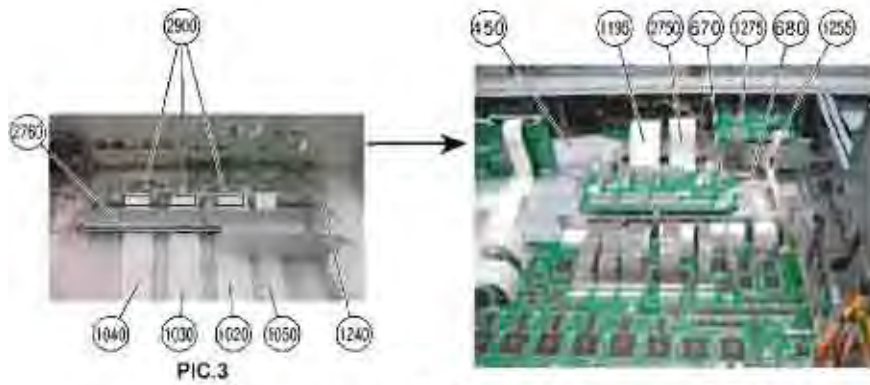
PM5D-RH OVERALL ASSEMBLY



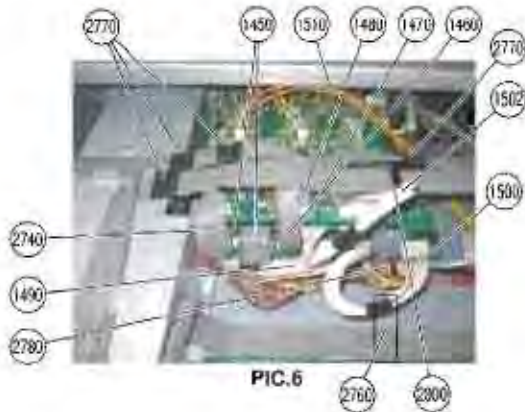
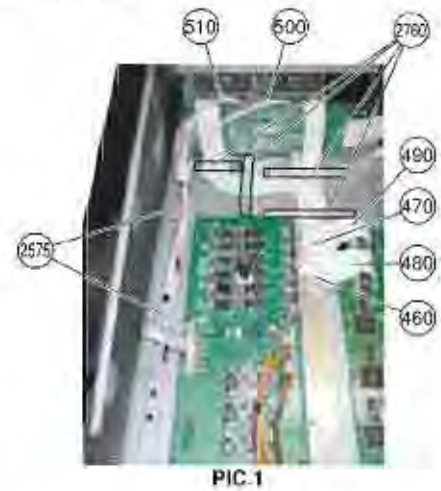


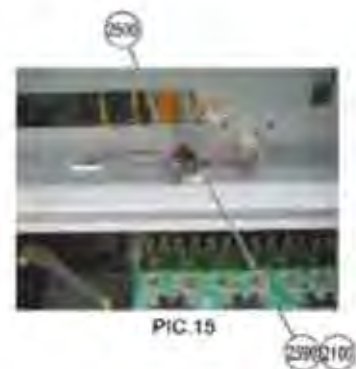
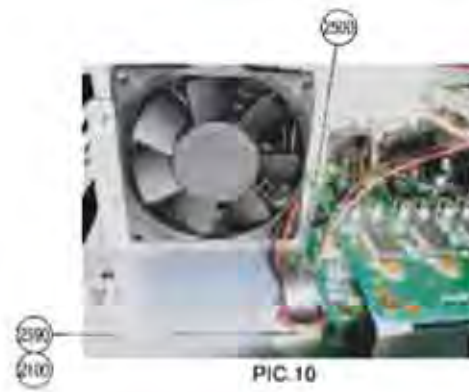
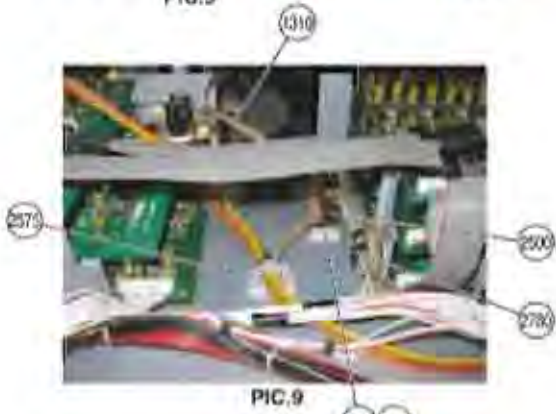
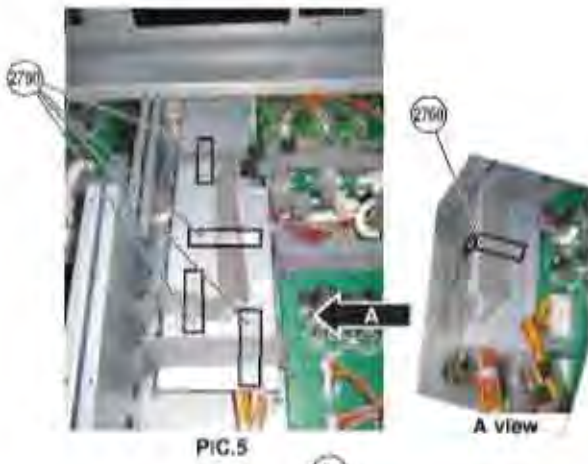
PM5D/PM5D-RH

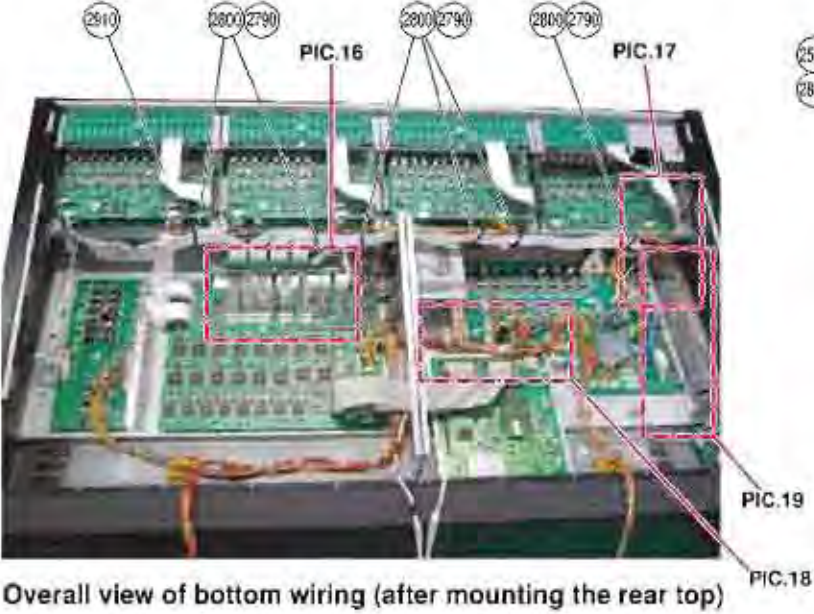
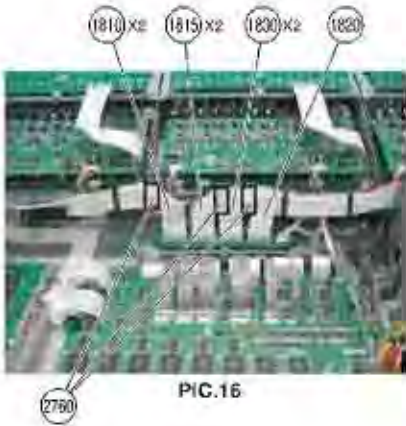




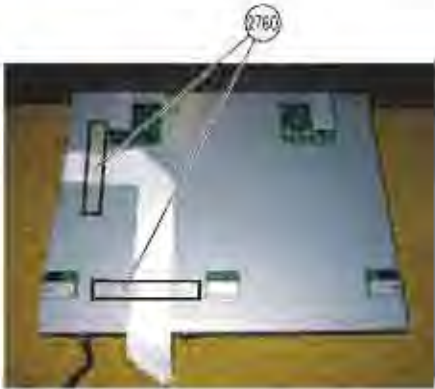
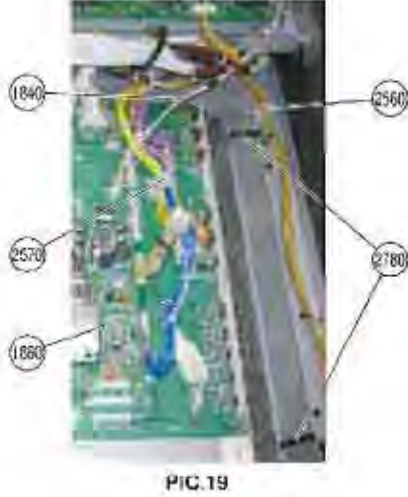
Overall view of bottom wiring (before mounting the rear top)





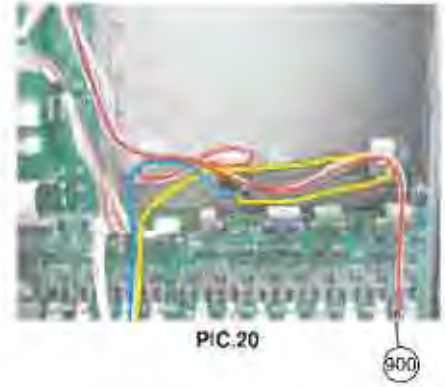
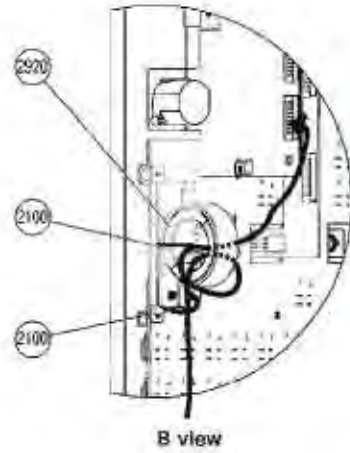


Overall view of bottom wiring (after mounting the rear top)





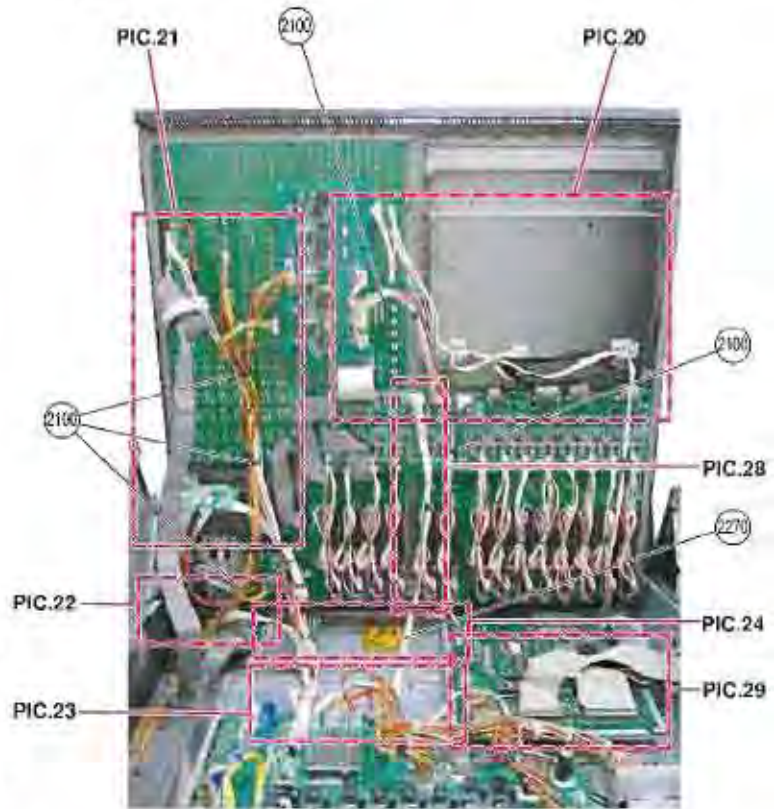
PIC.21



PIC.20



PIC.22



PIC.23



PIC.24



PIC.28



PIC.29



PIC.25



PIC.25

PIC.26

PIC.27

Control panel 1—Overall view of bottom wiring



PIC.27



PIC.26

2550

PM5D/PM5D-RH

REF NO.	PART NO.	DESCRIPTION		REMARKS	QTY	RANK
		OVERALL ASSEMBLY		PM5D-RH		
	--	Overall Assembly		(WC30260)		
10	--	Bottom Chassis Assembly 3		(WC20530)		
15	VN670900	Foot, Mixer			6	07
16	VR525900	Bind Head Tapping Screw-B	4.0X14 MFZN2BL		12	01
20	--	Partition Assembly		(WB34740)		
30	EG340190	Bind Head Tapping Screw-B	4.0X8 MFZN2BL		18	01
40	WA758500	Front Pad Assembly				
40a	--	Frame		(WB41570)		
40b	--	Leather, Front Pad		(WA75850)		
40c	--	Adhesive Tape		(WC66880)		
45	--	Angle, Pad	L-type	(WC39110)	2	
50	EG340190	Bind Head Tapping Screw-B	4.0X8 MFZN2BL		18	01
60	WC254200	Rear Panel R Lower				
70	VT451200	Connector Guard			8	05
80	VR138400	Bind Head Tapping Screw-B	4.0X12 MFZN2BL		8	01
90	EG340190	Bind Head Tapping Screw-B	4.0X8 MFZN2BL		10	01
100	--	Guard Holder R1	RIGHT 1	(WB82820)		
110	--	Guard Holder R2	RIGHT 2	(WB82830)		
120	--	Guard Holder L1	LEFT 1	(WB82840)		
130	--	Guard Holder L2	LEFT 2	(WB82850)		
140	VN413300	Bonding Tapping Screw-B	3.0X8 MFZN2BL		12	01
150	WA777400	Corner Pad L	LEFT			
160	WB364200	Side Panel L	LEFT			
170	EP600190	Bind Head Tapping Screw-B	3.0X8 MFZN2BL		4	01
180	EG340190	Bind Head Tapping Screw-B	4.0X8 MFZN2BL		8	01
190	EP600190	Bind Head Tapping Screw-B	3.0X8 MFZN2BL			01
200	WB415800	Side Pad				
210	--	Rear Pad Angle L	LEFT	(WB32860)		
220	WA777200	Rear Pad L	LEFT			
230	EP600190	Bind Head Tapping Screw-B	3.0X8 MFZN2BL		4	01
240	EG340190	Bind Head Tapping Screw-B	4.0X8 MFZN2BL		2	01
250	EG340190	Bind Head Tapping Screw-B	4.0X8 MFZN2BL		13	01
260	WA777500	Corner Pad R	RIGHT			
270	WB364400	Side Panel R	RIGHT			
280	EP600190	Bind Head Tapping Screw-B	3.0X8 MFZN2BL		4	01
290	EP600190	Bind Head Tapping Screw-B	3.0X8 MFZN2BL			01
300	WB415800	Side Pad				
310	EG340190	Bind Head Tapping Screw-B	4.0X8 MFZN2BL		8	01
320	--	Rear Pad Angle R	RIGHT	(WB32880)		
330	WA777300	Rear Pad R	RIGHT			
340	EP600190	Bind Head Tapping Screw-B	3.0X8 MFZN2BL		4	01
350	EG340190	Bind Head Tapping Screw-B	4.0X8 MFZN2BL		2	01
360	EG340190	Bind Head Tapping Screw-B	4.0X8 MFZN2BL		13	01
370	V5789100	Motor	DC KDE1208PTS3-6	Fan	2	09
380	V6444900	Fan Guide			4	02
390	VK949100	Fan Guard	FG-08UL PDR-601		2	06
400	VB671600	Pan Head Screw	SP 4.0X20 MFZN2BL		8	01
410	V8806500	OPT Angle			2	11
420	EP600230	Bind Head Tapping Screw-B	3.0X6 MFZN2BL		8	01
430	WA771100	Circuit Board	OPT			
440	VZ538000	Bind Head Screw	4.0X8 SP MFZN2Y		4	
450	WA560400	Cable, FFC	P=1.25-K-40-400			04
460	WD382300	Cable, FFC	P=1.25-K-32-560			
470	WD382400	Cable, FFC	P=1.25-K-31-360			
480	WD382500	Cable, FFC	P=1.25-K-30-660			
490	WD382600	Cable, FFC	P=1.25-K-24-460			
500	WC222700	Connector Assembly	PH&PH 7P 600L			
510	WC222600	Connector Assembly	POWER VH 10P #18			
520	WC220200	Connector Angle				
530	WC384100	Receptacle Assembly	VH 5P/9P/10P	DC POWER INPUT		
540	EP600190	Bind Head Tapping Screw-B	3.0X8 MFZN2BL		4	01
550	EG340190	Bind Head Tapping Screw-B	4.0X8 MFZN2BL		8	01
560	EG340190	Bind Head Tapping Screw-B	4.0X8 MFZN2BL			01
600	WA771300	Circuit Board	DSP			
610	EP600230	Bind Head Tapping Screw-B	3.0X6 MFZN2BL		11	01
620	WD383400	Jumper Wire	FVP=2C26SB14-2200			
630	WD383500	Jumper Wire	FVP=2C26SB13-1550			
660	WC221900	Circuit Board	CN1R			
665	EP600230	Bind Head Tapping Screw-B	3.0X6 MFZN2BL		6	01

*: New Parts

RANK: Japan only

REF NO.	PART NO.	DESCRIPTION	REMARKS	QTY	RANK
* 670	WC396100	Connector Assembly	PH&PH 8P 300L		
* 680	WD383700	Connector Assembly	PH&PH 6P 900L		
* 700	WA829200	Circuit Board	BRG1 (BRCOM)	(WC21950)	
710	EP600230	Bind Head Tapping Screw-B	3.0X6 MFZN2BL	12	01
720	--	Heat Sink	VEGAS	(WB74900)	
730	EP600230	Bind Head Tapping Screw-B	3.0X6 MFZN2BL	2	01
* 740	WC220600	Insulation Sheet 1			
750	--	Heat Sink Holder 1		(WD25010)	
760	VB659000	Bind Head Screw	3.0X8 MFZN2BL	4	01
770	--	Heat Sink Holder 3		(WD25040)	
780	VB659000	Bind Head Screw	3.0X8 MFZN2BL	10	01
* 800	WA771200	Circuit Board	MAIN		
805	--	MAIN Angle Assembly		(WC36410)	
810	EP600230	Bind Head Tapping Screw-B	3.0X6 MFZN2BL	12	01
815	VN413300	Bonding Tapping Screw-B	3.0X8 MFZN2BL	3	01
820	VP157800	Bonding Screw	3.0X8 MFZN2BL	2	01
830	--	PCMCIA Angle		(WC14830)	
840	EP600230	Bind Head Tapping Screw-B	3.0X6 MFZN2BL	3	01
* 850	WB273300	Flat Cable	80P		
* 860	WB273400	Flat Cable	100P		
* 870	VQ637300	Connector Assembly	PH&PH 4P 700L		
* 890	WD382100	Connector Assembly	PH&PH 6P 900L		
900	--	Connector Assembly	PH&PH 7P 1100L	(WC22050)	
* 920	WC219300	Circuit Board	BRG4		
930	EP600230	Bind Head Tapping Screw-B	3.0X6 MFZN2BL	6	01
940	--	Heat Sink 2	VEGAS	(WB74910)	
950	EP600230	Bind Head Tapping Screw-B	3.0X6 MFZN2BL	2	01
* 960	WC220700	Insulation Sheet 4			
965	--	Heat Sink Holder 4		(WD25050)	
970	VB659000	Bind Head Screw	3.0X8 MFZN2BL	7	01
* 980	WA771000	Circuit Board	JK2		
990	VS604900	Hex. Locking Screw	JFS-2.6S-BIW	2	01
1000	VN413300	Bonding Tapping Screw-B	3.0X8 MFZN2BL	2	01
1010	EP600230	Bind Head Tapping Screw-B	3.0X6 MFZN2BL	3	01
* 1020	WC234600	Cable, FFC	P=1.25-K-37-350		
* 1030	WC234700	Cable, FFC	P=1.25-K-34-350		
* 1040	WC234800	Cable, FFC	P=1.25-K-32-350		
* 1050	WC234900	Cable, FFC	P=1.25-K-22-350		
* 1060	WB804700	Circuit Board	BRG5 (BRCOM)	(WC21950)	
1070	EP600230	Bind Head Tapping Screw-B	3.0X6 MFZN2BL	7	01
* 1080	WD298500	Connector Assembly	BRG VH3-10P PH3/5P		
1150	--	JK Mount Angle		(WA76020)	
1170	EP600230	Bind Head Tapping Screw-B	3.0X6 MFZN2BL	4	01
* 1180	WC231500	Jumper Wire			
* 1190	WA806400	Circuit Board	JK1		
* 1195	WC234500	Cable, FFC	P=1.25-K-40-350		
1200	VN413300	Bonding Tapping Screw-B	3.0X8 MFZN2BL	6	01
1210	VB096700	Bind Head Tapping Screw-B	2.6X8 MFZN2BL	6	01
1220	VP157800	Bonding Screw	3.0X8 MFZN2BL	3	01
1230	EP600230	Bind Head Tapping Screw-B	3.0X6 MFZN2BL	3	01
* 1240	WC231600	Jumper Wire			
* 1250	WA770300	Circuit Board	ANB		
* 1255	WC227200	Connector Assembly	PH&PH 12P 850L		
1260	VB096700	Bind Head Tapping Screw-B	2.6X8 MFZN2BL	8	01
1270	EP600230	Bind Head Tapping Screw-B	3.0X6 MFZN2BL	2	01
* 1275	WD383900	Jumper Wire	FVP-2.0C26SB13-540		
1280	--	Mount Angle	CONNECTION	(WC22140)	
1285	EP600230	Bind Head Tapping Screw-B	3.0X6 MFZN2BL	6	01
* 1290	WD275600	Circuit Board	DR		
1300	VN413300	Bonding Tapping Screw-B	3.0X8 MFZN2BL	2	01
* 1310	WC228000	Connector Assembly	DR&LAMPVR 2/4/12P		
* 1320	WA770600	Circuit Board	DA1		
1330	VN413300	Bonding Tapping Screw-B	3.0X8 MFZN2BL	64	01
1340	EP600230	Bind Head Tapping Screw-B	3.0X6 MFZN2BL	6	01
1345	EG330360	Bind Head Screw	3.0X6 MFZN2BL	4	01
1350	--	DA Mount Angle		(WA76000)	
* 1360	WC225200	Jumper Wire	FVP-2.0C26SB11-100	2	
* 1370	WD390800	Connector Assembly	PH&PH 14P 300L		
* 1380	WD390600	Connector Assembly	PH&PH 14P 160L		
* 1385	WC754100	Jumper Wire	FVP-2.0C26SB8-940	2	

* New Parts

RANK: Japan only

PM5D/PM5D-RH

REF NO.	PART NO.	DESCRIPTION	REMARKS	QTY	RANK	
* 1390	WD382000	Jumper Wire	FVP=2.0C26SB8-940			
* 1392	WD382000	Jumper Wire	FVP=2.0C26SB8-940			
* 1400	WA770700	Circuit Board	DA2			
* 1410	WA829800	Circuit Board	DA3 (DACOM)	(WB17690)		
1420	VN413300	Bonding Tapping Screw-B	3.0X8 MFZN2BL	18	01	
1430	--	DA Mount Angle		(WA76000)	2	
1440	EP600230	Bind Head Tapping Screw-B	3.0X6 MFZN2BL	6	01	
1445	EG330360	Bind Head Screw	3.0X6 MFZN2BL	4	01	
* 1450	WC225200	Jumper Wire	FVP=2.0C26SB11-100	2		
* 1460	WD381600	Jumper Wire	FVP=2.0C26SB8-670			
* 1470	WD390500	Jumper Wire	FVP=2.0C26SB4-670			
* 1480	WD382200	Jumper Wire	FVP=2.0C26SB10-630			
* 1490	WC230700	Connector Assembly	PH&PH 14P 400L			
* 1500	WC223100	Connector Assembly	PH&PH 14P 200L			
* 1502	WD390600	Connector Assembly	PH&PH 14P 160L			
* 1510	WC231300	Connector Assembly	MONITOR 3/6/7/9P			
1520	V4566200	Circuit Board	DRN		15	
1530	V5547100	Circuit Board	DRL		15	
1540	VN413300	Bonding Tapping Screw-B	3.0X8 MFZN2BL	4	01	
1570	WB057300	Circuit Board	PHN2 (DACOM)	(WB17690)		
1580	--	PHN2 Angle		(WC10340)		
1590	EP600230	Bind Head Tapping Screw-B	3.0X6 MFZN2BL	4	01	
1600	VJ388000	Hexagonal Nut	9.0 11X2 MFZN2BL		01	
1610	VN413300	Bonding Tapping Screw-B	3.0X0 MFZN2BL	2	01	
* 1620	WC754700	Jumper Wire	FVP=2.0C26SB13-340			
* 1630	WD383800	Connector Assembly	PH&PH 16P 400L			
* 1640	WC230700	Connector Assembly	PH&PH 14P 400L			
1650	VZ678500	IF Plate		4	05	
1660	VP156900	Bind Head Screw	A4.0X12 MFZN2BL	8	01	
1662	--	Shield	BRG5	(WD17450)		
1664	EP600230	Bind Head Tapping Screw-B	3.0X6 MFZN2BL	8	01	
1670	--	Rear Base Upper		(WB11360)		
1680	--	Rear Base 2 Upper		(WB54940)		
1690	EP600190	Bind Head Tapping Screw-B	3.0X8 MFZN2BL	8	01	
1700	EG340190	Bind Head Tapping Screw-B	4.0X8 MFZN2BL	4	01	
* 1710	WC254000	Rear Panel R Upper				
1720	EG340190	Bind Head Tapping Screw-B	4.0X8 MFZN2BL	13	01	
1730	--	Connector Assembly	CANNON&PH2P	(WC61810)	3	
1730a	V5647300	Cannon Connector	HA16PRK-4S	LAMP	3	
1740	EE620190	Pin Head Screw	2.6X8 MFN133		01	
1750	--	Rear Top 1 Assembly R		(WC30380)	2	
1752	--	Rear Top 3 Assembly R		(WD39070)		
1760	EG340190	Bind Head Tapping Screw-B	4.0X8 MFZN2BL	6	01	
1760	EG340360	Bind Head Screw	4.0X8 MFZN2BL	6	01	
1770	VP157800	Bonding Screw	3.0X8 MFZN2BL	27	01	
1780	--	Rear Top 2 Assembly R		(WC30390)		
1790	EG340190	Bind Head Tapping Screw-B	4.0X8 MFZN2BL	2	01	
1790	EG340360	Bind Head Screw	4.0X8 MFZN2BL	2	01	
1800	VP157800	Bonding Screw	3.0X8 MFZN2BL	9	01	
* 1810	WD382700	Cable, FFC	P=1.25-K-28-620		2	
* 1815	WD383100	Cable, FFC	P=1.25-K-28-580		2	
* 1820	WC526500	Cable, FFC	P=1.25-K-28-1200			
* 1830	WC526400	Cable, FFC	P=1.25-K-28-900		2	
* 1840	VQ636900	Connector Assembly	PH&PH 3P 450L			
* 1850	WC396800	Connector Assembly	D 9/10/11/12/14P			
* 1860	WC397900	Connector Assembly	A 8P/14P/16P			
1900	--	Panel 1 Assembly		(WA76050)		
1910	V6055300	Button Bolt	3.0X8 MFZNBL	7	01	
1915	VP157800	Bonding Screw	3.0X8 MFZN2BL	6	01	
1920	--	Panel 2 Assembly		(WA76190)		
1930	V6055300	Button Bolt	3.0X8 MFZNBL	7	01	
1935	VP157800	Bonding Screw	3.0X8 MFZN2BL	6	01	
* 1940	WC221100	Name Plate				
1950	V6055300	Button Bolt	3.0X8 MFZNBL	6	01	
* 1960	WC252600	Control Panel 3	RHA			
* 1970	VE362400	Adhesive Tape	W=3			
1980	WA773700	LED Lens	2P	PEAK (1-48,ST IN 1-4), SIGNAL (1-48,ST IN 1-4) +48V (1-48,ST IN 1-4)	56	01
1990	WA773700	LED Lens	2P		28	01
2000	V6055300	Button Bolt	3.0X8 MFZNBL	24	01	

*: New Parts

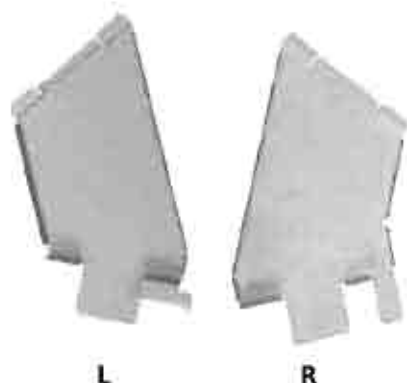
RANK: Japan only

REF NO.	PART NO.	DESCRIPTION	REMARKS	QTY	RANK
2100	CB069250	Cord Holder	BK-1	22	01
2200	WD390900	Connector Assembly	PH&PH 1SP 770L		
2210	WC231200	Connector Assembly	PHONES 6P/7P/12P		
2270	WD384200	Connector Assembly	POWER VH 5P #18		
2400	--	Card Protection Holder		(WC60970)	2
2410	EP640410	Bind Head Tapping Screw-B	4.0X8 MFZN2Y	6	01
2500	VC362700	Ferrite Core	FR25/15/12-1400L	5	04
2560	CB825280	Clamper	CKN-05	8	01
2570	CB830310	Clamper	CKN-13	4	02
2575	CB836190	Cord Binder	CKN-10	3	02
2590	CB835590	Band Holder	TMS-20	8	01
2600	--	Caution Label		(VV86650)	2
2700	--	Heat Sink	F-CBS-F5	(WC42370)	
2710	--	Silicon Grease	G-746	(0412125)	
2720	EG330290	Bind Head Screw	SP 3.0X8 MFZN2Y	4	01
2730	WD381500	Jumper Wire	FVP-2.0C26SB11-910		
2740	V9364900	Jumper Wire	FVP-2.0C26SB11-600		07
2750	WC234400	Cable, PFC	P-1 25-K-36-350		
2760	VR955400	Filament Tape	W=25 50m		12
2770	--	Acetate Cloth Tape	570F 30m W=15	(VS82580)	
2780	CB817510	Cord Binder	S-14B	8	03
2790	EP600230	Bind Head Tapping Screw-B	3.0X6 MFZN2BL	6	01
2800	--	Cord Binder	S-126	(VJ77060)	10
2810	VQ465400	Cord Holder	AB-200		01
2900	--	Sponge Spacer	1	(WD51750)	3
2910	--	Sponge Spacer	2	(WD51770)	
2920	--	Ferrite Core	TRCN-40-27-15	(WD53880)	
3000	--	Label	S CE-CTICK	(V269120)	
3500	VN103500	Lithium Battery	CR2032		03
ACCESSORIES					
	V9810000	Lamp	12V 5W JL315A0-18"	3	16
a	AAX58120	Lamp Shade		3	
b	AAX58130	Bulb	12V/DC 5W	3	
	X4459A00	CD-ROM	650MB 12cm		
	WC383900	DC Power Supply Cable	UL2464 #16X24 L=3600		
TOOLS					
	WB477100	Support JIG 2-R	RIGHT		
	WB477200	Support JIG 2-L	LEFT		
	WB477300	Support JIG 1-R	RIGHT		
	WB477400	Support JIG 1-L	LEFT		
	AAX59920	MY SLOT Check Jig Ver 2		4	

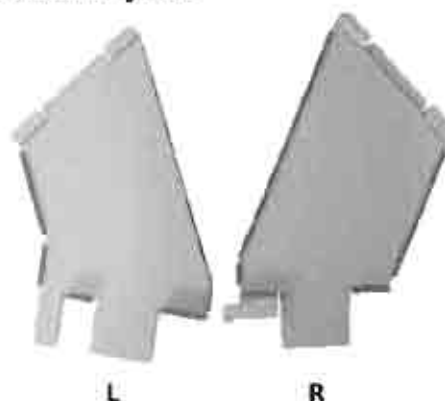
*: New Parts

RANK: Japan only

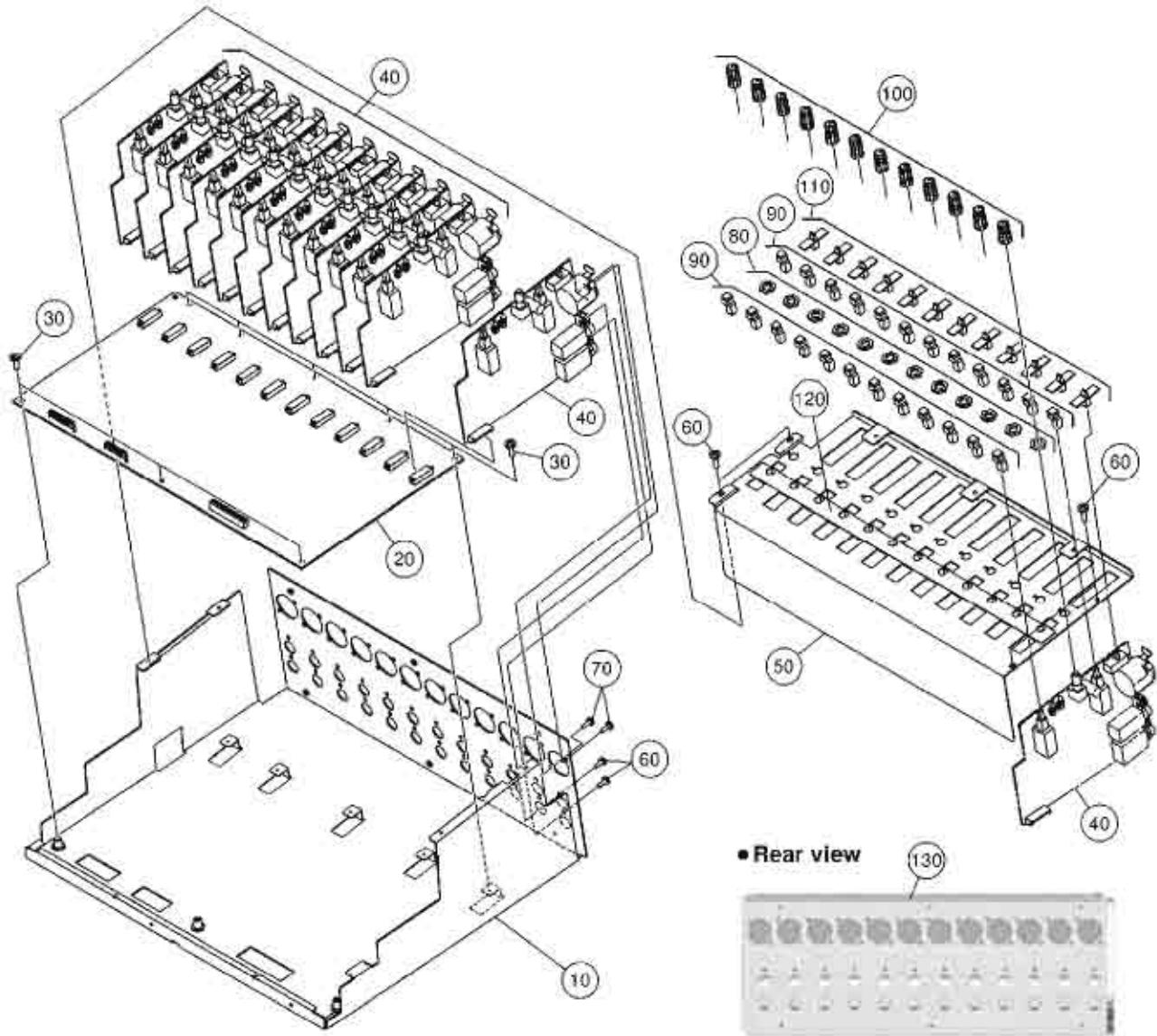
SUPPORT JIG 1



SUPPORT JIG 2



PM5D REAR TOP 1 ASSEMBLY

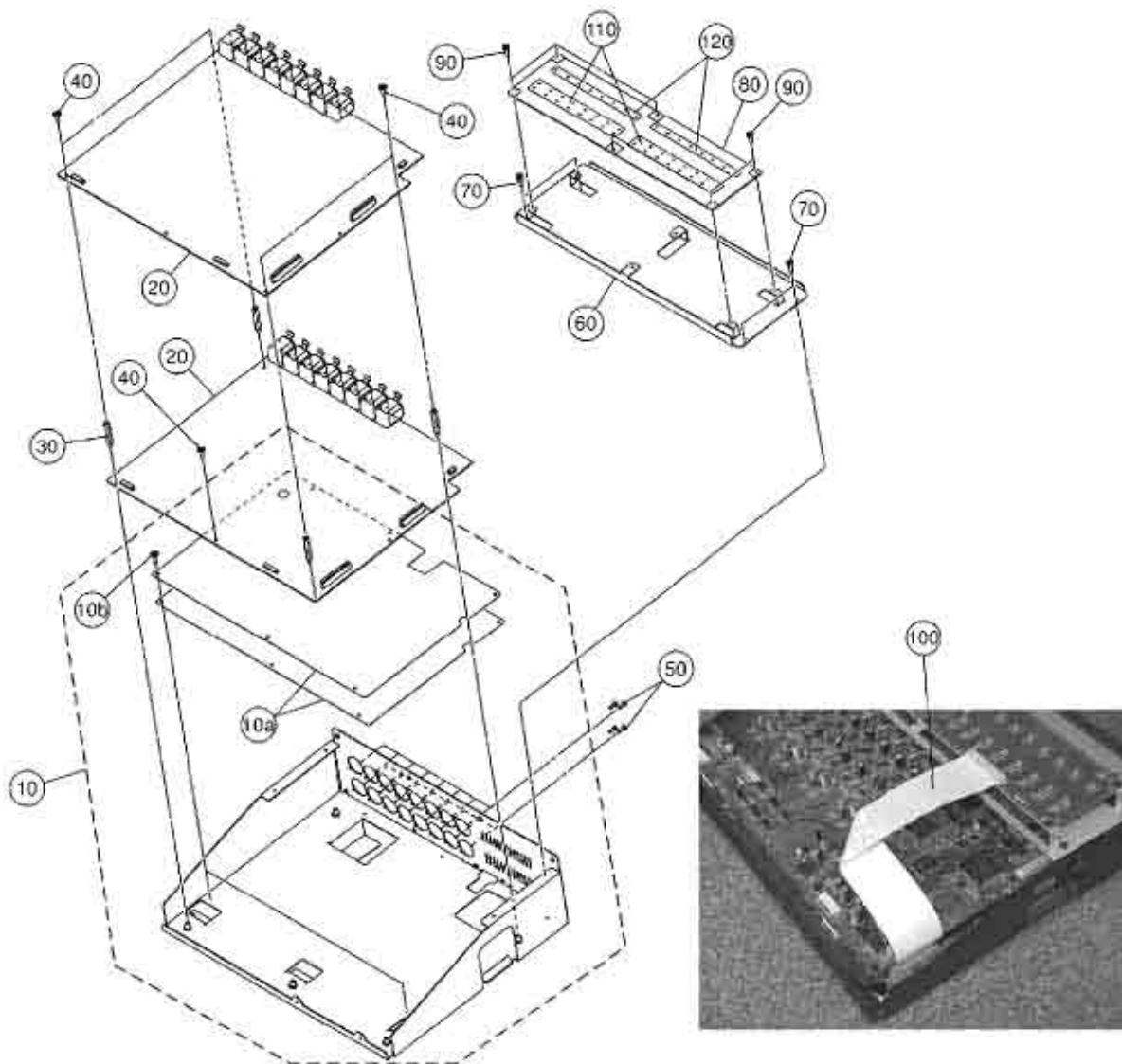


REF NO.	PART NO.	DESCRIPTION	REMARKS	QTY	RANK
		REAR TOP 1 ASSEMBLY	PM5D		
	--	Rear Top 1 Assembly	(WA77580)		
10	--	Shield, Bottom 1	(WD39780)		
*	WB085500	Circuit Board			
		AD1			
30	EP600230	Blind Head Tapping Screw-B		8	01
*	WA770100	Circuit Board			
		AN11	(WB43480)	12	
50	--	Shield, Top 1	(WA77630)		
60	VN413300	Bonding Tapping Screw-B		28	01
70	VB096700	Blind Head Tapping Screw-B		24	01
80	VR991600	Hexagonal Nut		12	01
90	VT651400	Push Button		24	01
			PAD 26dB 1-48, INSERT ON/OFF 1-48 GAIN 1-48 +48V ON/OFF 1-48		
100	V5085700	Knob Small		12	03
110	VJ859300	Slide Knob		12	05
120	--	Light Shading	(WD13890)		
130	--	Soft Gasket	(WD97180)		

*: New Parts

RANK: Japan only

PM5D-RH REAR TOP 1 ASSEMBLY R



REF. NO.	PART NO.	DESCRIPTION		REMARKS	QTY	RANK
		REAR TOP 1 ASSEMBLY R		PM5D-RH		
	--	Rear Top 1 Assembly R		(WC30380)		
10	--	Shield, Bottom 1		(WD39020)		
10a	--	Shield Plate, Rear Top		(WD23150)		
10b	EP600230	Bind Head Tapping Screw-B	3.0X6 MFZ2BL		2	
20	WC222200	Circuit board	AUS		6	01
30	WC390400	Spacer	BSB-330		2	
40	EG330360	Bind Head Screw	3.0X6 MFZ2BL		4	
50	VB096700	Bind Head Tapping Screw-B	2.5X8 MFZ2BL		5	01
60	--	Shield, Top 1	RHA	(WB85860)	32	01
70	VN413300	Bonding Tapping Screw-B	3.0X8 MFZ2BL		4	01
80	WC221700	Circuit Board	LD (LDCOM)	(WC31430)		
90	EP600230	Bind Head Tapping Screw-B	3.0X6 MFZ2BL		6	01
100	WD383200	Cable, FFC	P=1 25-K-32-250			
110	WD139100	Light Shading	1		2	
120	WD155900	Light Shading	2		2	

* New Parts

RANK: Japan only

PM5D REAR TOP 2 ASSEMBLY

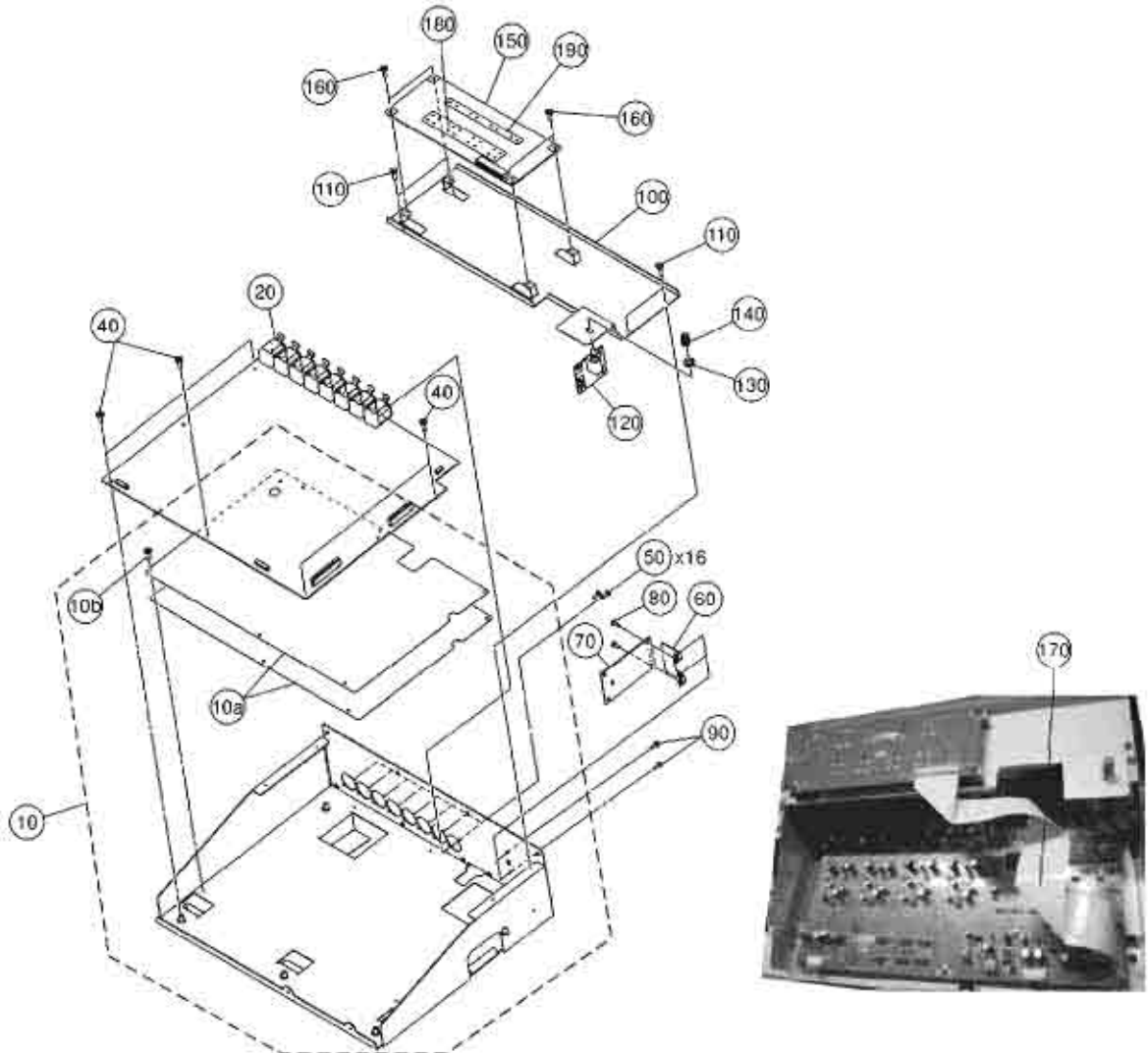


REF. NO.	PART NO.	DESCRIPTION	REMARKS	QTY	RANK
		REAR TOP 2 ASSEMBLY	PM5D		
	--	Rear Top 2 Assembly	(WA77590)		
10	--	Shield, Bottom 2	(WD38790)		
20	WA770400	Circuit Board	(WB08540)		
30	EP600230	Bind Head Tapping Screw-B	AD2 (ADCOM)	4	01
40	WA770200	Circuit Board	3.0X6 MFZN2BL		
45	WB452300	Circuit Board	AN12 (AN12)	4	
47	VF950800	Locking Card Spacer	LED (AN12)	4	
50	--	Shield, Top 2	KGLS-12RT	4	01
60	VN413300	Bonding Tapping Screw-B			
70	VB096700	Bind Head Tapping Screw-B	3.0X8 MFZN2BL	4	01
80	VR991600	Hexagonal Nut	2.6X8 MFZN2BL	16	01
90	V5085700	Knob Small	7.0 11X2 MFZN2BL	8	01
100	VQ920800	Knob Upper	S_GRAY/DARK GRAY	8	03
110	WB085600	Circuit Board	MIN. L_GRAY/D_GRAY		03
120	VR991600	Hexagonal Nut	LPVOL (ADCOM)		
130	EP600230	Bind Head Tapping Screw-B	7.0 11X2 MFZN2BL		01
140	--	Light Shading Assembly	3.0X6 MFZN2BL	2	01
150	--	Soft Gasket			
			GAIN L/R ST IN 1-4 LAMP DIMMER		
			(WB08540)		
			(WD40360)	4	
			(WD97190)		

*: New Parts

RANK: Japan only

PM5D-RH REAR TOP 2 ASSEMBLY R

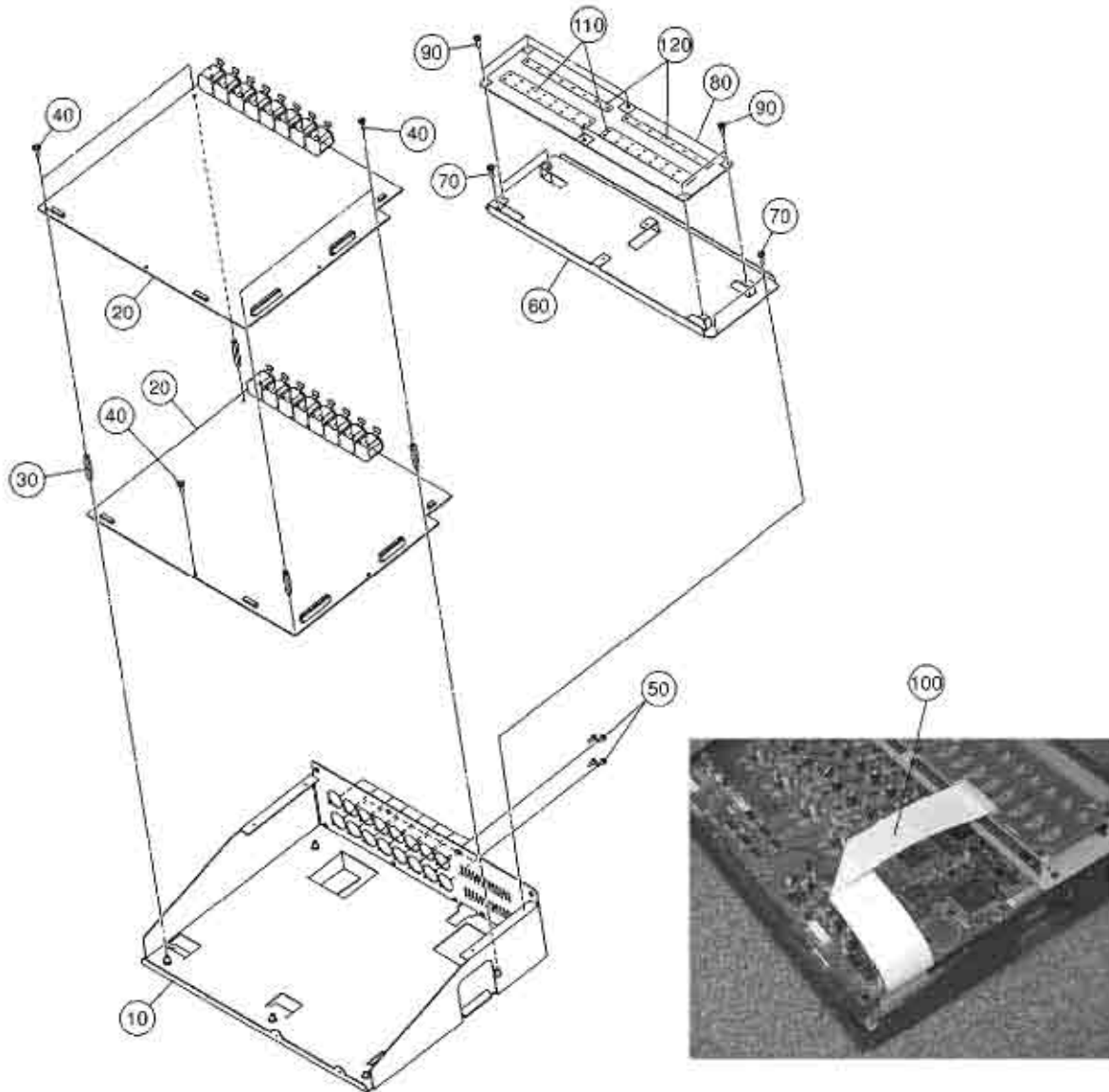


REF. NO.	PART NO.	DESCRIPTION		REMARKS	QTY	RANK
	--	REAR TOP 2 ASSEMBLY R		PM5D-RH		
	--	Rear Top 2 Assembly R		(WC30390)		
10	--	Shield, Bottom 2		(WD39030)	2	
10a	--	Shield Plate, Rear Top		(WD23150)	2	
10b	EP 600230	Bind Head Tapping Screw-B	3.0X6 MFZ2BL		6	01
20	WC 222200	Circuit Board	AD3			
40	EG 330360	Bind Head Screw	3.0X6 MFZ2BL		5	01
50	VB 096700	Bind Head Tapping Screw-B	2.6X8 MFZ2BL		16	01
60	--	Angle, 48V SW		(WC17720)		
70	WC 222100	Circuit Board	SW48 (LDCOM)	(WC31430)		
80	EP 600230	Bind Head Tapping Screw-B	3.0X6 MFZ2BL		2	01
90	VN 413300	Bonding Tapping Screw-B	3.0X8 MFZ2BL		2	01
100	--	Shield, Top 2	RHA	(WC20070)		
110	VN 413300	Bonding Tapping Screw-B	3.0X8 MFZ2BL		4	01
120	WC 321600	Circuit Board	LPVOL (LDCOM)	(WC31430)		
130	VR 991600	Hexagonal Nut	7.0 11X2 MFZ2BL			01
140	VQ 920800	Knob Upper	MIN_L_GRAY/D_GRAY	LAMP DIMMER		03
150	WC 221800	Circuit Board	STLD (LDCOM)	(WC31430)		
160	EP 600230	Bind Head Tapping Screw-B	3.0X6 MFZ2BL		4	01
170	WD 383300	Cable, FFC	P=1.25-K-32-300			
180	WD 164000	Light Shading	3			
190	WD 164100	Light Shading	4			

* New Parts

RANK: Japan only

PM5D-RH REAR TOP 3 ASSEMBLY R

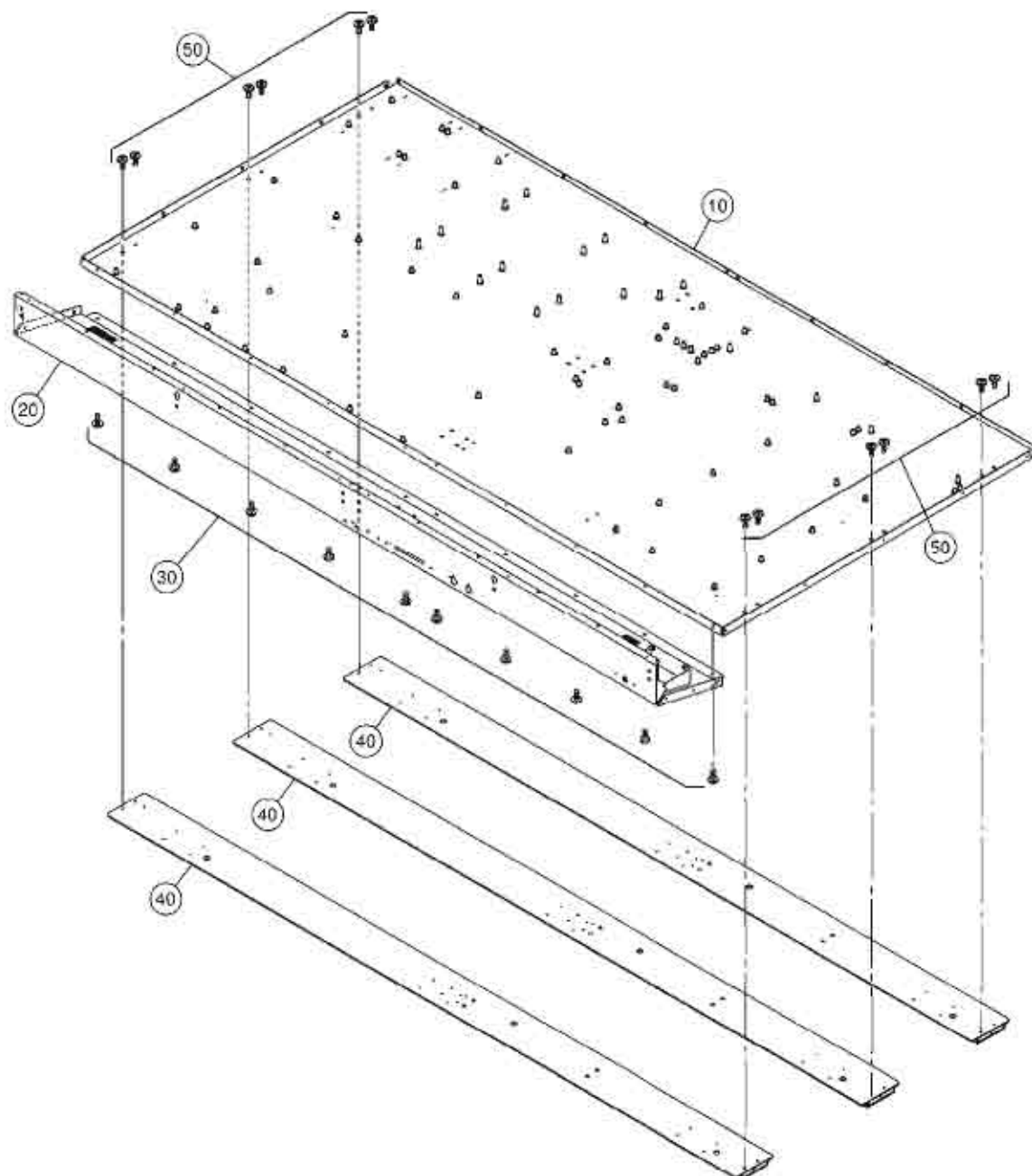


REF. NO.	PART NO.	DESCRIPTION		REMARKS	QTY	RANK
		REAR TOP 3 ASSEMBLY R		PM5D-RH		
	--	Rear Top 3 Assembly R		(WD39070)		
10	--	Shield, Bottom 3		(WD39040)		
*	WC222200	Circuit Board	AD3		2	
*	WC390400	Spacer	BSB-330		4	
40	EG330360	Bind Head Screw	3.0X6 MFZN2BL		5	01
50	VB096700	Bind Head Tapping Screw-B	2.6X8 MFZN2BL		32	01
60	--	Shield, Top 1	RHA	(WB85860)		
70	VN413300	Bending Tapping Screw-B	3.0X8 MFZN2BL		4	01
*	WC221700	Circuit Board	LD (LD COM)	(WC31430)		
90	EP600230	Bind Head Tapping Screw-B	3.0X6 MFZN2BL		6	01
*	WD383200	Cable, FFC	P=1.25-K-32-250			
*	WD139100	Light Shading	1		2	
*	WD155900	Light Shading	2		2	

*: New Parts

RANK: Japan only

■ BOTTOM CHASSIS ASSEMBLY 3

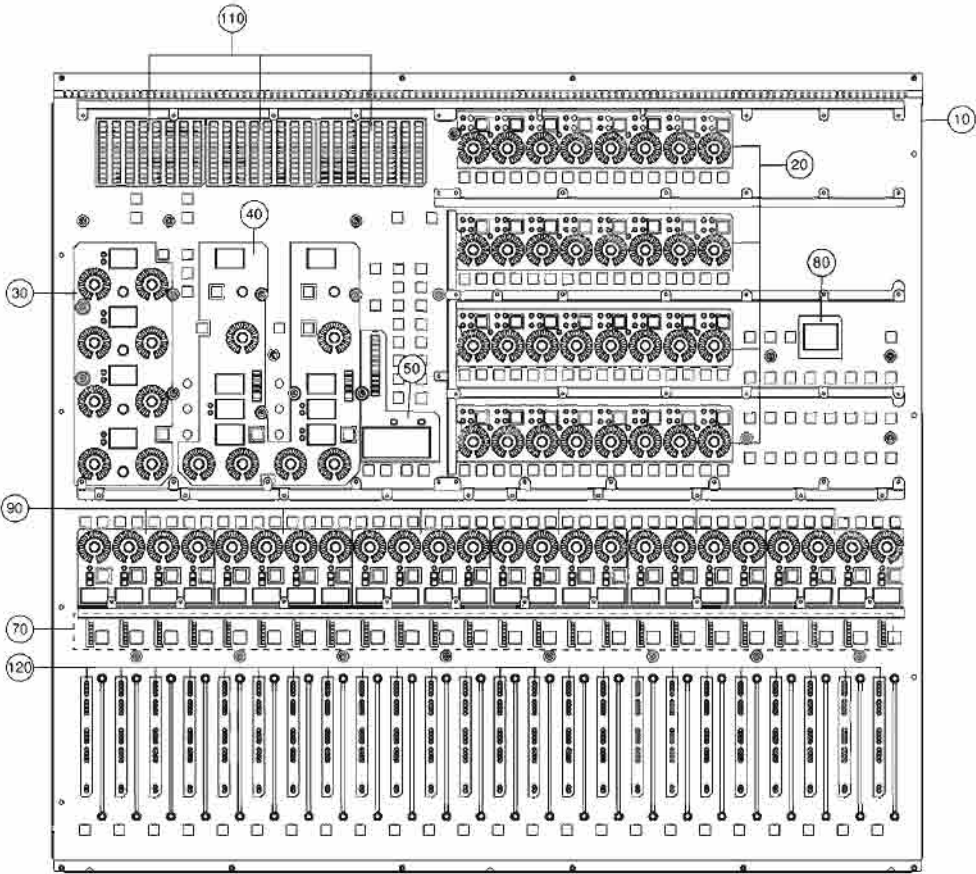


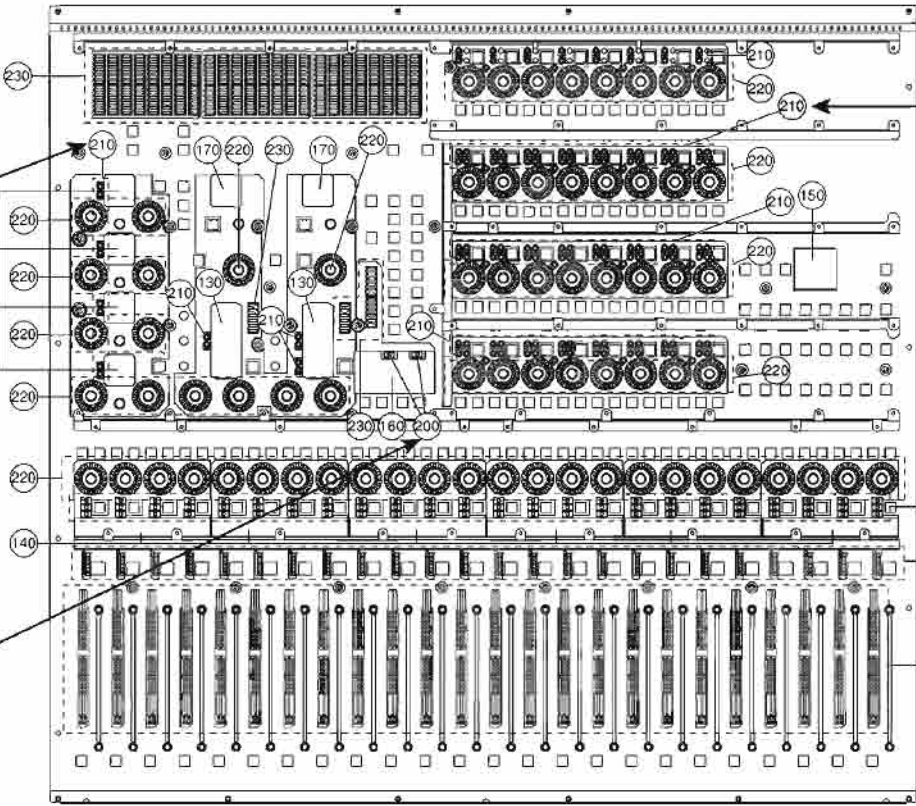
REF NO.	PART NO.	DESCRIPTION		REMARKS	QTY	RANK
		BOTTOM CHASSIS ASSEMBLY 3		PM5D/PM5D-RH		
10	--	Bottom Chassis Assembly 3		(WC20530)		
20	--	Bottom Chassis Assembly		(WA75700)		
	--	Bottom Chassis 2		(WC22130)		
30	EG340190	Bind Head Tapping Screw-B	4.0X8 MFZN2BL		10	01
40	--	Bottom Leg	PM	(WB11340)	3	
50	EG340190	Bind Head Tapping Screw-B	4.0X8 MFZN2BL		12	01

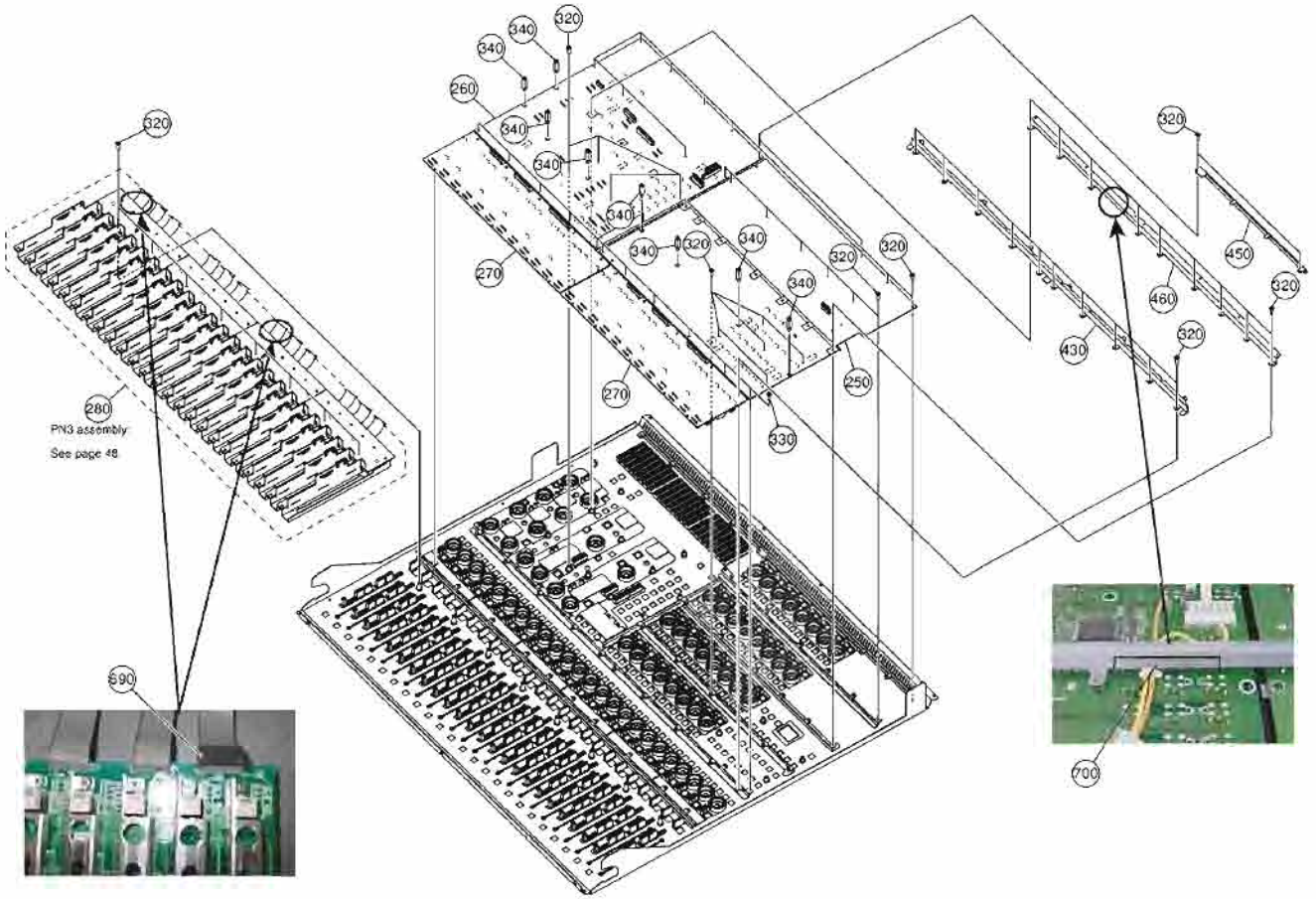
☛ New Parts

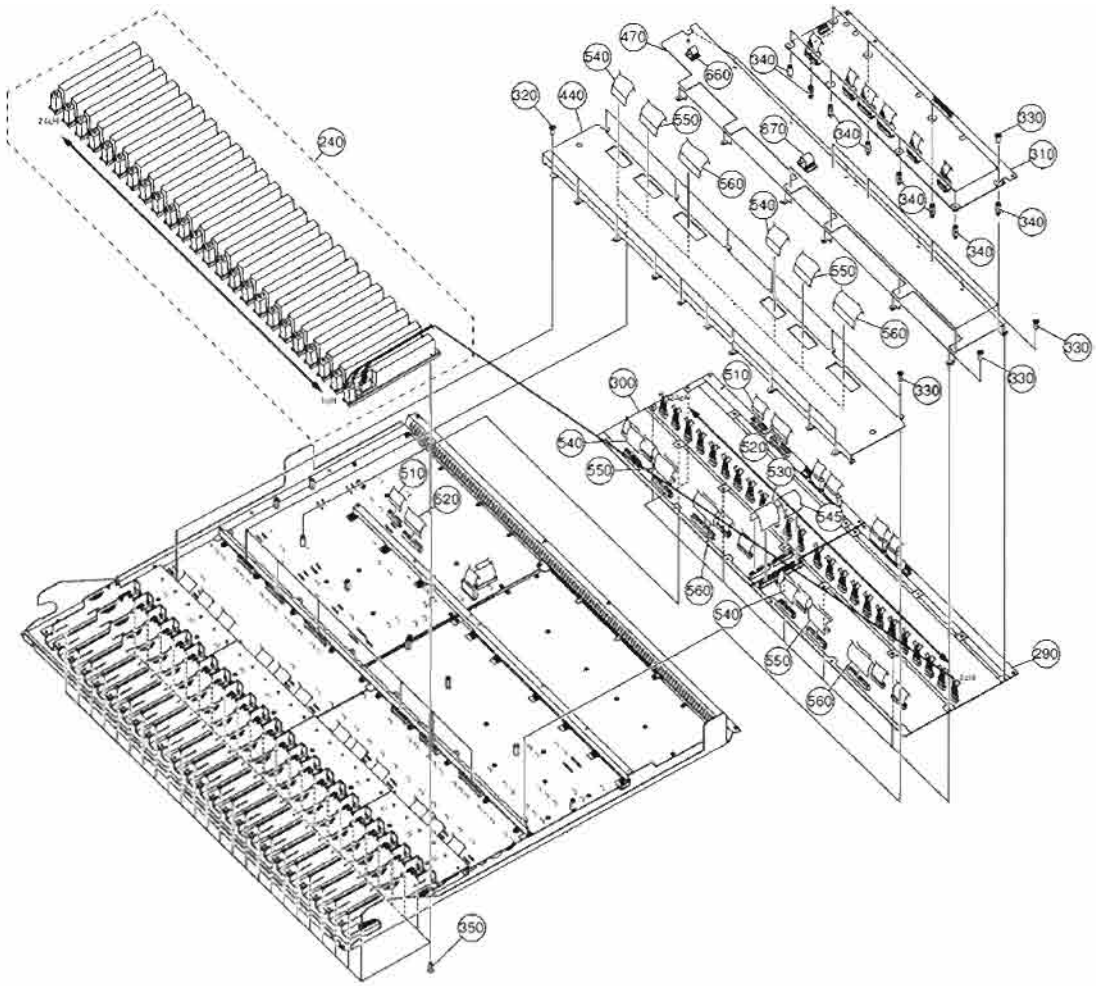
RANK: Japan only

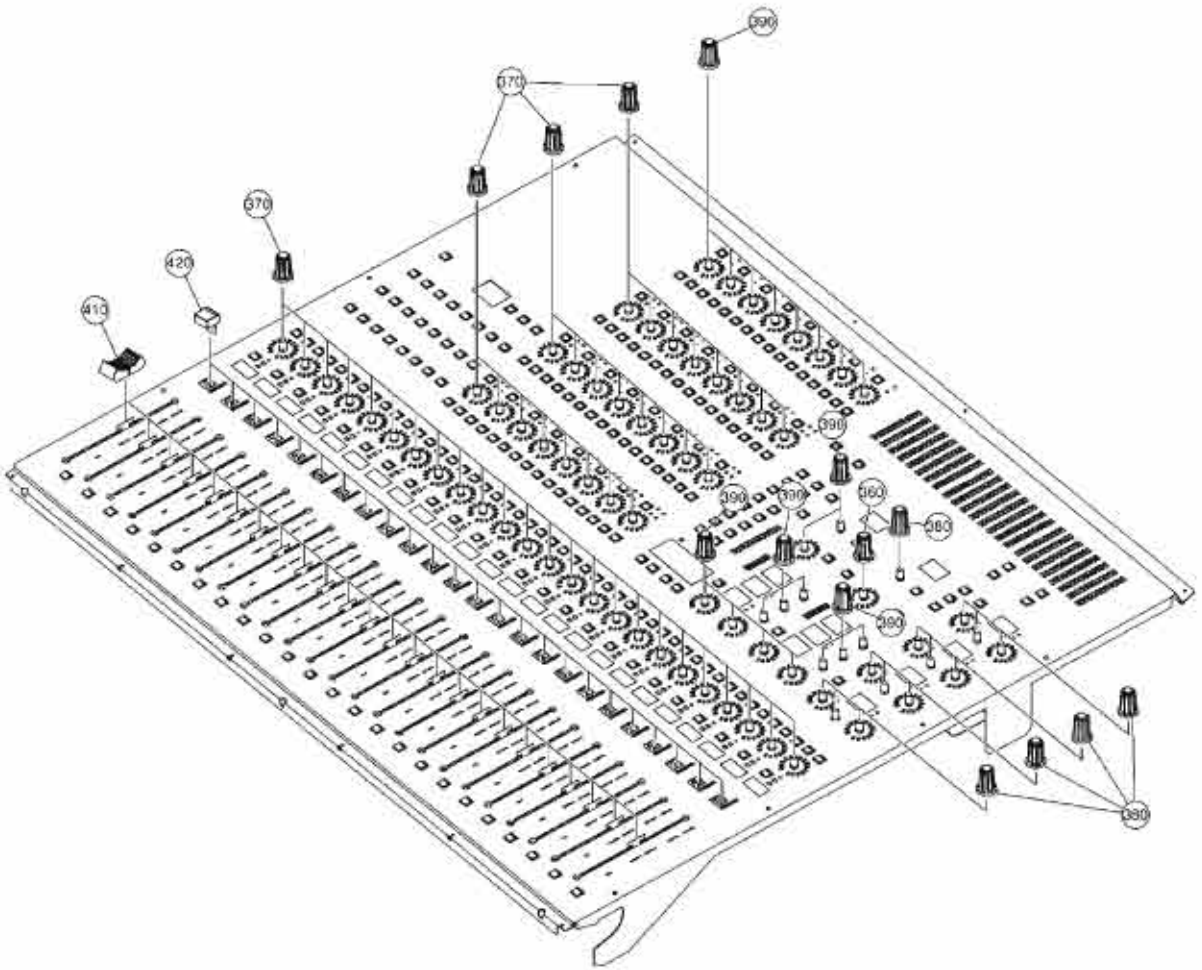
■ PANEL 1 ASSEMBLY

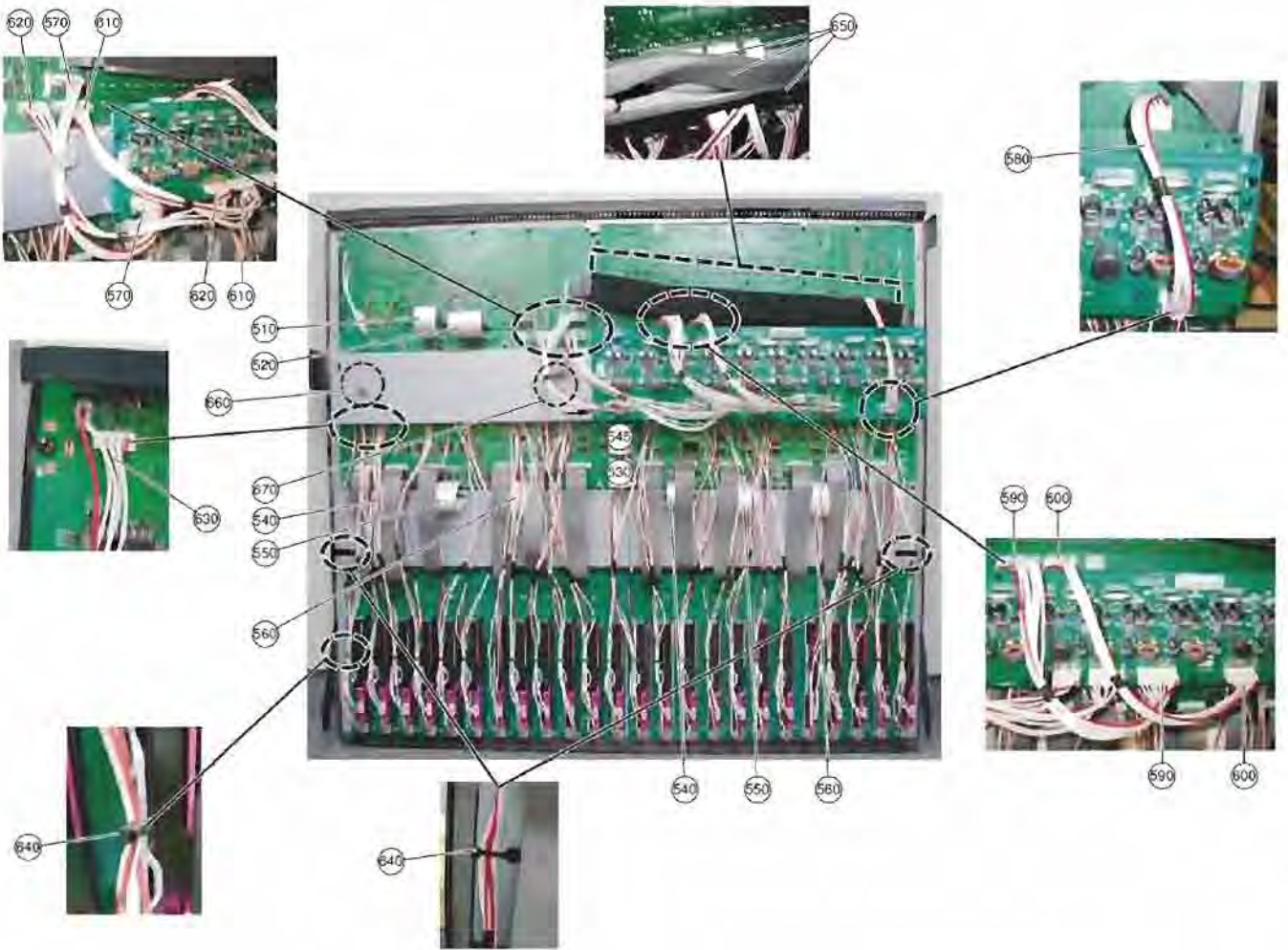












PM5D/PM5D-RH

REF NO.	PART NO.	DESCRIPTION		REMARKS	QTY	RANK
	--	PANEL 1 ASSEMBLY		PM5D/PM5D-RH		
		Panel 1 Assembly		(WA76050)		
* 10	WB365000	Control Panel 1				
* 20	WB194000	Tape	CP1-1		4	
* 30	WB204900	Tape	CP1-2			
* 40	WB205000	Tape	CP1-3			
* 50	WB205100	Tape	CP1-4			
* 70	WB205300	Tape	CP1-6		24	
* 80	WB205400	Tape	CP1-7			
* 90	WB205500	Tape	CP1-8		6	
* 110	WB195000	Tape	CP2-10		3	
* 120	WB194300	Tape	CP2-3		24	
* 130	WB169600	Window, Name	3x3	NOISE GATE indicator, COMPRESSOR indicator	2	
* 140	WB169700	Window, Name	x4	Name indicator (CH 1-48)	6	
* 150	WB170500	Window, Name	x2	ENCODER MODE indicator		
* 160	WB170600	Window, Name	x6	CHANNEL SELECT indicator		
* 170	WB170700	Window, Name	x3	DELAY indicator, HPF indicator, EQUALIZER indicator	5	
180	V4895500	Lens	x8	Motor LED (CH 1-24/25-48)	24	03
190	V4895600	Lens	x14	DCA assign LED, MUTE assign LED, RCL SAFE/MUTE GAFE LED	48	04
* 200	WC035400	LED Lens	2P1	INPUT/OUTPUT indicator, TO ST LED,COMP LED, GATE LED	25	
210	WA773700	LED Lens	2P	DCA group LED,PAIR LED, TO ST LED,TO MTRX LED, sec,msec,kHz,Hz	71	01
* 220	WA587300	Lens, Level Meter	15P	MATRIX,MIX,GAIN/ATT,PAN, THRESHOLD,RANGE,GAIN,G, Encoder (CH 1-24/25-48)	70	
* 230	WB046700	LED Lens	6P	INPUT/MIX meter,Level meter (GROUP),GR meter	52	
* 240	WB486900	Motor Drive Fader Assembly	3P, RSA0K11V900D B10K	CH 1-24/CH 25-48	24	
* 250	WA768800	Circuit Board	PN1			
* 260	WA768700	Circuit Board	SL			
* 270	WA769200	Circuit Board	PN2	(WB18050)	2	
280	--	PN3 Assembly		(WB53870)	4	
* 290	WA769900	Circuit Board	FDA			
* 300	WA770000	Circuit Board	FDB			
* 310	WA829300	Circuit Board	BRG2			
320	EP600190	Bind Head Tapping Screw-B	3.0X8 MFZN2BL		79	01
330	EG330360	Bind Head Screw	3.0X6 MFZN2BL		29	01
340	VY711600	Spacer			16	02
350	EC030030	Flat Head Screw	3.0X6 MFZN2BL		48	01
360	V3744200	Encoder Knob	1D_RED/L_GRAY	PAN (STEREO)		01
370	V4622300	Encoder Knob	BLUE/L_GRAY	MIX 1-24,CH 1-24/CH 25-48	48	01
380	V4622600	Encoder Knob	GREEN/L_GRAY	FREQUENCY (HPF), Q,FREQUENCY,GAIN (EQUALIZER)	13	01
390	V4622500	Encoder Knob	M_GRAY/L_GRAY	MATRIX 1-8,TIME (DELAY), GAIN/ATT (GAIN/ATTENUATION/ /),ATTACK,HOLD,DECAY, THRESHOLD,RANGE (NOISE GATE),ATTACK,RELEASE, RATIO,THRESHOLD,GAIN (COMPRESSOR)	20	01
410	V5270800	Fader Knob	BLACK/M_GRAY	CH 1-24/CH 25-48	24	02
420	V3744300	Switch Knob	L-ST LENS/S_GRAY	ON (CH 1-24/CH 25-48)	24	01
430	--	Reinforcement Angle, CP1 5		(WC02180)		
440	--	Reinforcement Angle, CP1 6		(WC02190)		
450	--	Reinforcement Angle, CP1 7		(WC02480)		
460	--	Reinforcement Angle, C1 10		(WC19390)		
470	--	Reinforcement Angle, CP1 2		(WB74950)		
* 510	WC228100	Cable	P=1.25-K-20-120			
* 520	WC228200	Cable	P=1.25-K-30-120			
* 530	WC228400	Cable	P=1.25-K-25-100			
* 540	WC228500	Cable	P=1.25-K-24-100		2	

*: New Parts

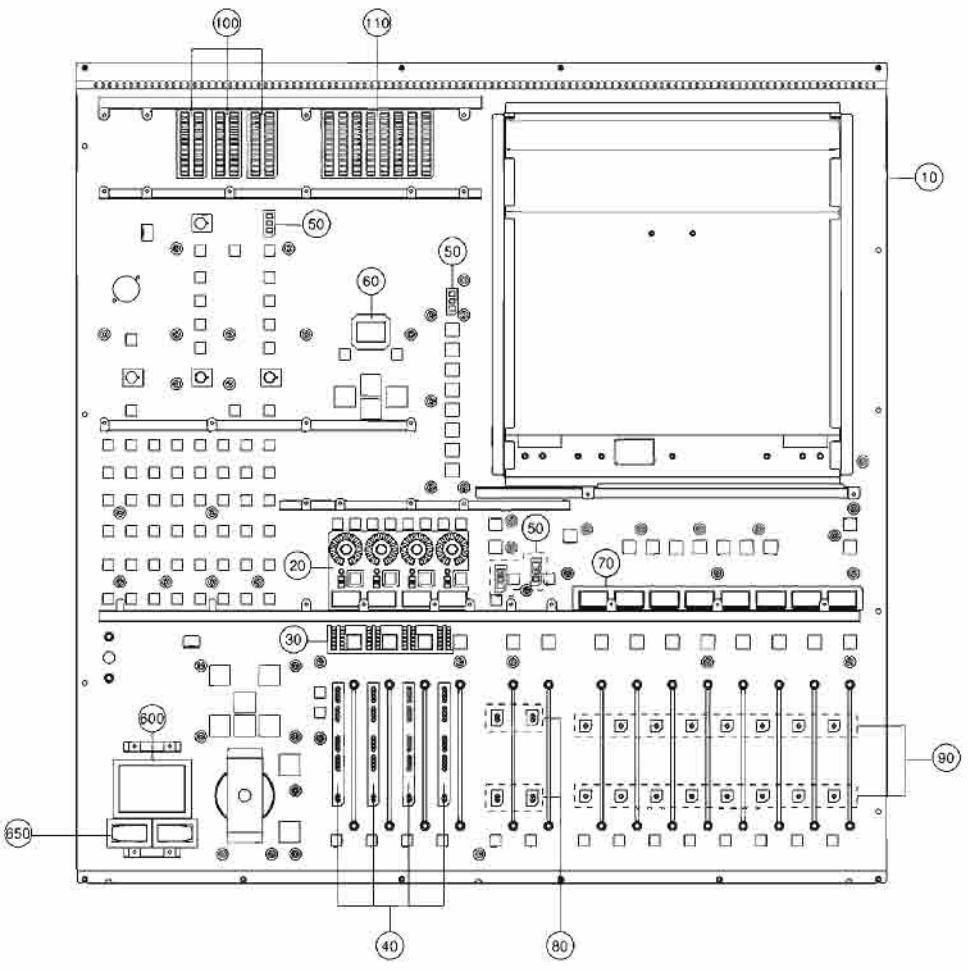
RANK: Japan only

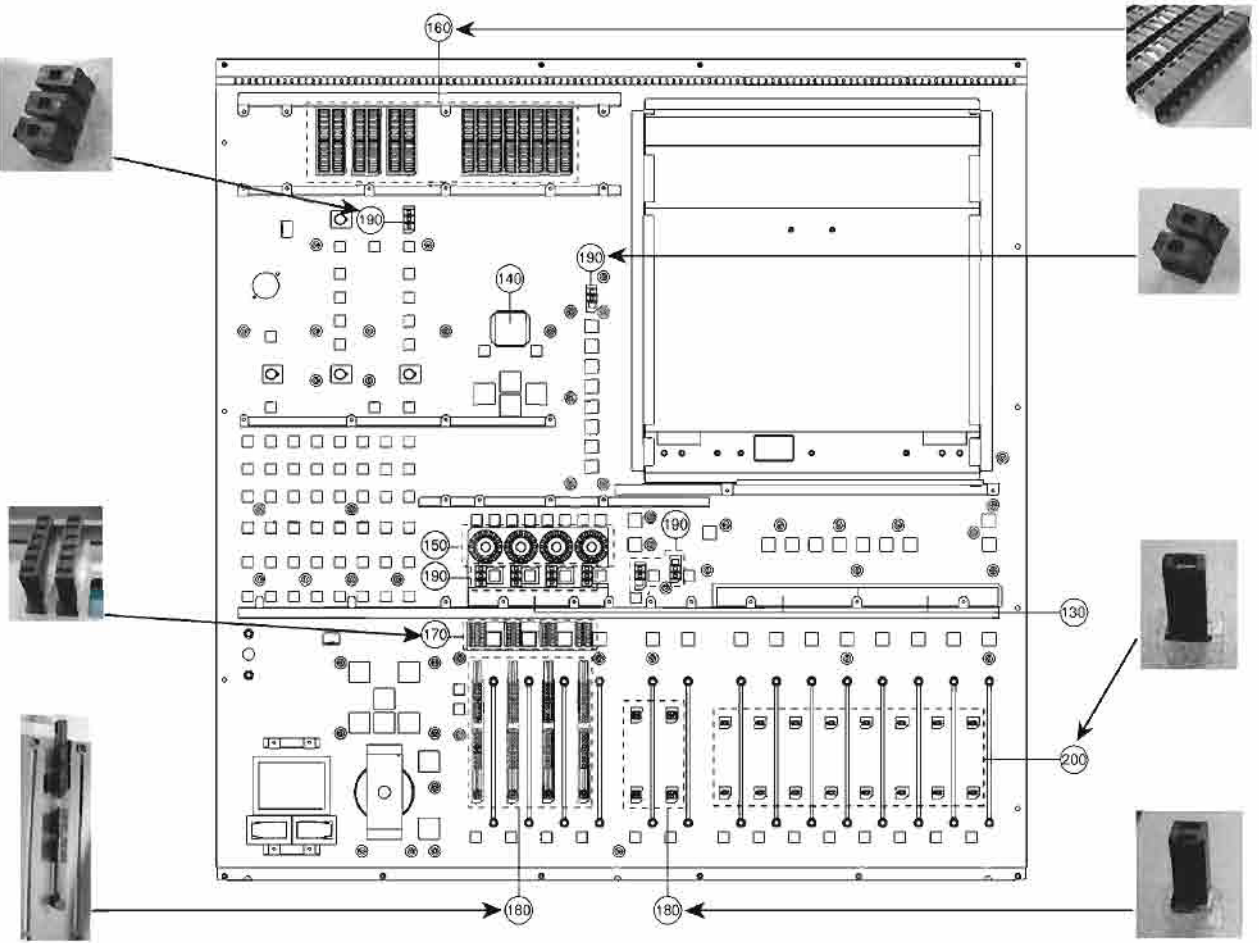
REF NO.	PART NO.	DESCRIPTION	REMARKS	QTY	RANK
* 545	WC 665400	Cable	P=1.25-K-26-100		
* 550	WC 228600	Cable	P=1.25-K-32-100	2	
* 560	WC 228600	Cable	P=1.25-K-32-100	2	
* 570	WC 226500	Connector Assembly	POWER VH 7P #18		
* 580	WD384000	Connector Assembly	POWER VH 5P #18		
* 590	WC 226300	Connector Assembly	POWER VH 9P #18		
* 600	WC 226400	Connector Assembly	POWER VH 7P #18		
* 610	WC 226100	Connector Assembly	POWER VH 8P #18		
* 620	WC 226200	Connector Assembly	POWER VH 6P #18		
* 630	WC 228800	Connector Assembly	FADER 5483 4P 400L	24	
640	CB069250	Cord Holder	BK-1	26	01
* 650	WC 233800	Sponge Spacer	1	3	
660	CB 825280	Clamper	CKN-05	2	01
670	CB 830310	Clamper	CKN-13		02
690	WB060600	Sponge Spacer	1	2	01
700	VA126100	Adhesive Tape	12X50		03

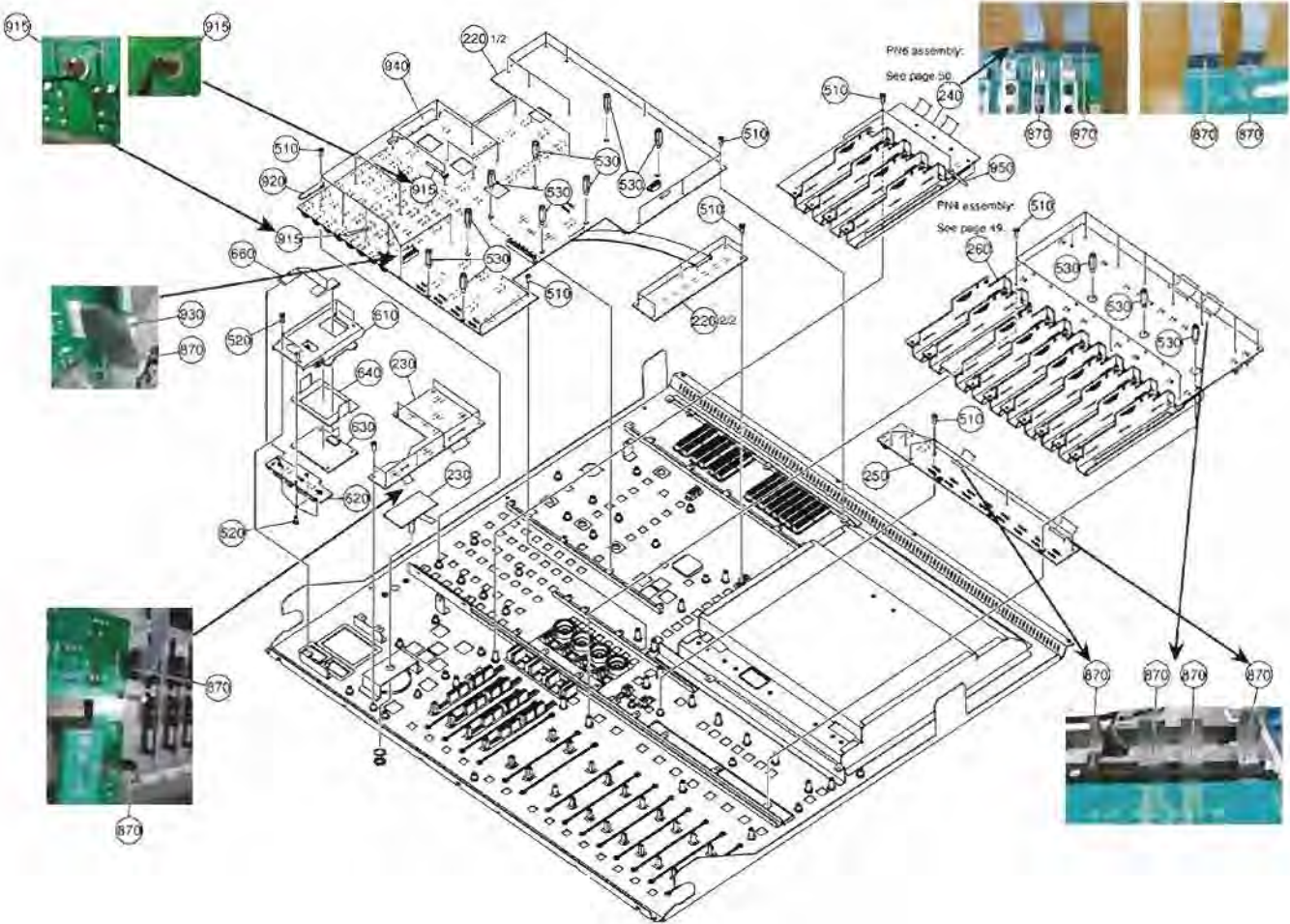
* New Parts

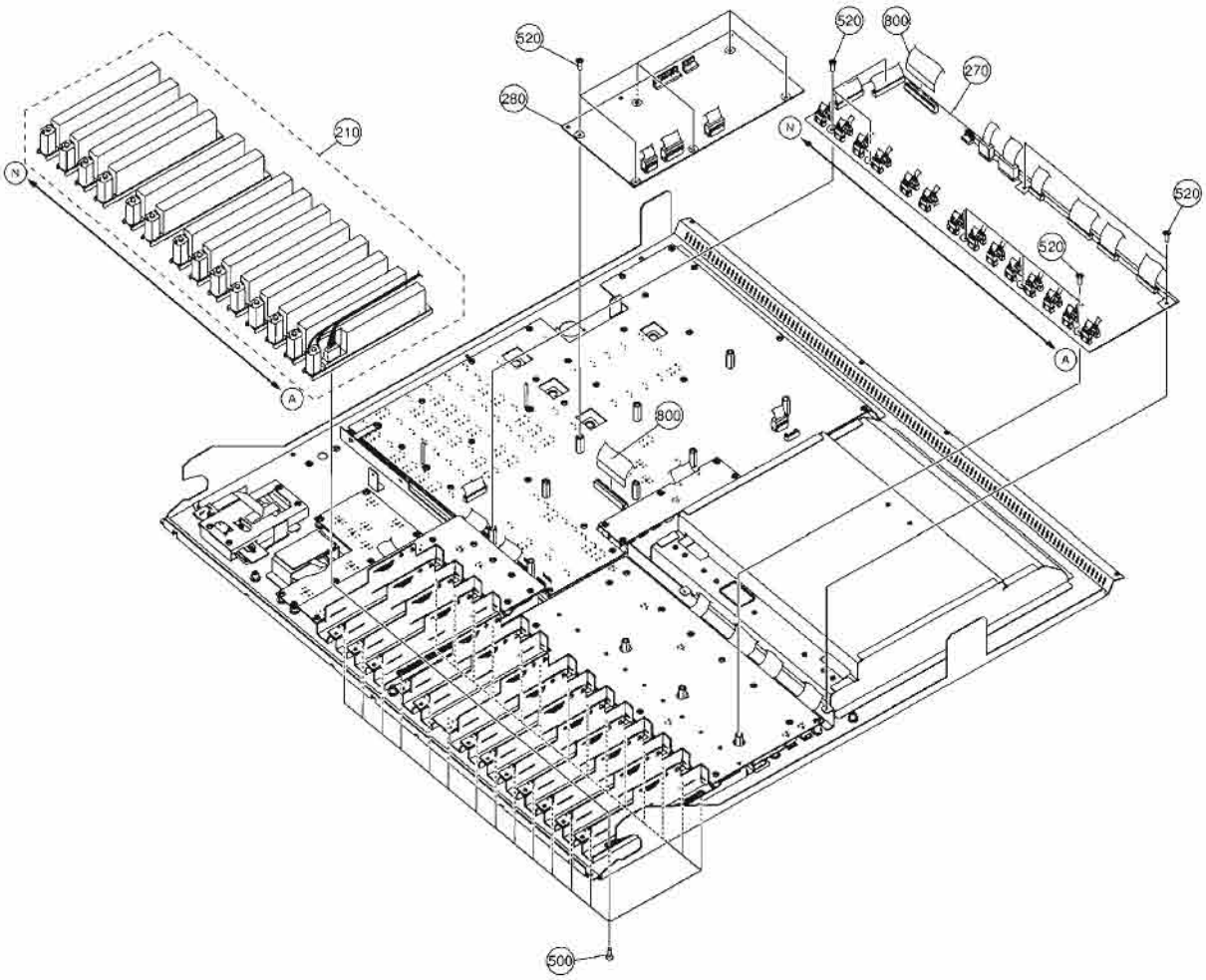
RANK: Japan only

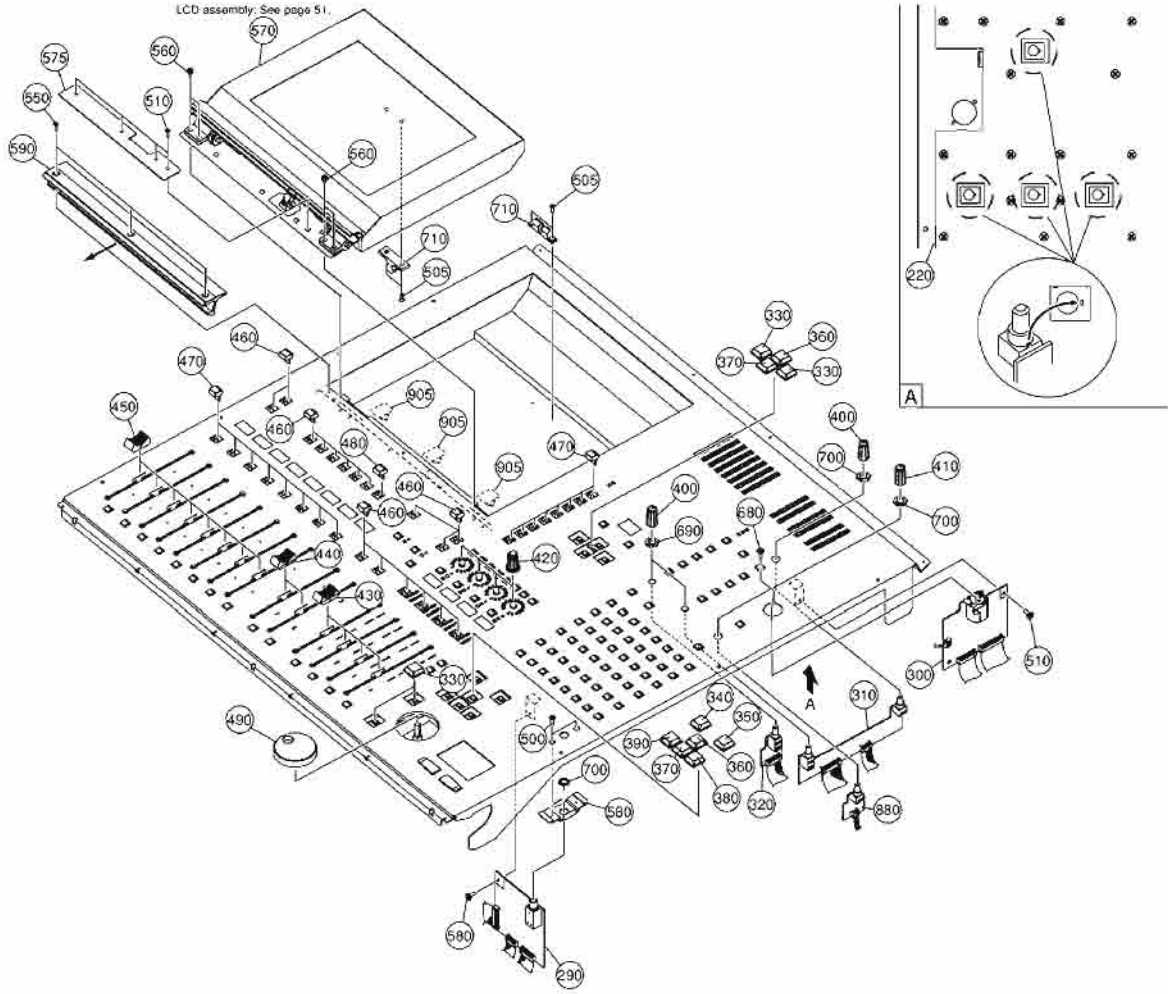
PANEL 2 ASSEMBLY

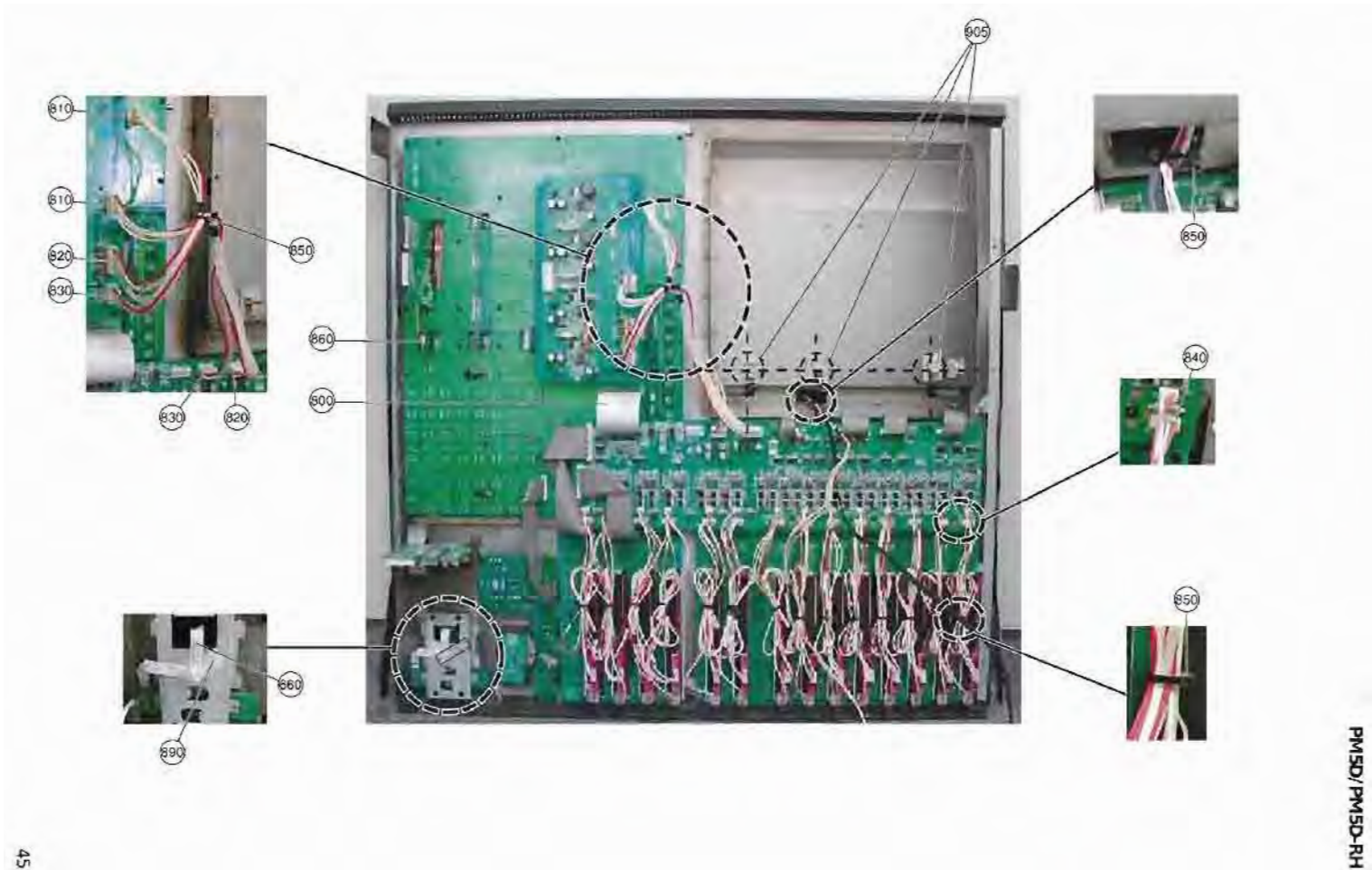












PM5D/PM5D-RH

REF NO.	PART NO.	DESCRIPTION		REMARKS	QTY	RANK
		PANEL 2 ASSEMBLY		PM5D/PM5D-RH		
	--	Panel 2 Assembly		(WA76190)		
* 10	WB365100	Control Panel 2				
* 20	WB205500	Tape	CP1-8			
* 30	WB194200	Tape	CP2-2			
* 40	WB194300	Tape	CP2-3		4	
* 50	WB194400	Tape	CP2-4		4	
* 60	WB194500	Tape	CP2-5			
* 70	WB194600	Tape	CP2-6			
* 80	WB194700	Tape	CP2-7		4	
* 90	WB194800	Tape	CP2-8		16	
* 100	WB194900	Tape	CP2-9		3	
* 110	WB195000	Tape	CP2-10			
* 130	WB169700	Window, Name	x4	Name indicator (DCA 1-8, ST IN 1-4/FX RTN 1-4)	3	
* 140	WB170700	Window, Name	x3	Scene number indicator		
* 150	WA587300	Lens, Level Meter	15P	Encoder (ST IN 1-4/ FX RTN 1-4)	4	
* 160	WB046700	LED Lens	6P	ST IN/FX RTN/MATRIX meter,MASTER meter	28	
170	V4895500	Lens	x8	Motor LED (ST IN 1-4/ FX RTN 1-4)	8	03
180	V4895600	Lens	x14	DCA assign LED, MUTE assign LED, RCL SAFE/MUTE SAFE LED	8	04
* 190	WC035400	LED Lens	2P1	INPUT/DCA/OUTPUT LED (CUE), DIRECT RECAL/MUTE MASTER indicator (SCENE MEMORY), TO MTRX LED,COMP LED (STEREO A, STEREO B), TO ST LED, COMP LED, GATE LED (ST IN 1-4)	8	
200	V4895800	Lens	x2	NOMINAL LED,RCL SAFE LED (DCA 1-8)	8	04
* 210	WB486900	Motor Drive Fader Assembly	3P, RSA0K11V900D B10K	DCA 1-8,STEREO A,B, ST IN 1-4/FX RTN 1-4	14	
* 220	WB084800	Circuit Board	SR	(1/2),(2/2)		
* 230	WA769800	Circuit Board	PN8	1/2,2/2		
240	--	PN6 Assembly				
* 250	WA769400	Circuit Board	PN5 (PNCOM)	(WB53890) (WB08470)		
260	--	PN4 Assembly		(WB53900)		
* 270	WA865400	Circuit Board	FDC			
* 280	WB057100	Circuit Board	BRG3			
* 290	WA770900	Circuit Board	PHN1 (MNCOM)	(WB08530)		
* 300	WA770800	Circuit Board	TB (MNCOM)	(WB08530)		
* 310	WB056200	Circuit Board	CUVOL (MNCOM)	(WB08530)		
* 320	WB056100	Circuit Board	MNVOL (MNCOM)	(WB08530)		
* 330	WC310700	Button Cursor	S_GRAY/S_GRAY	STORE,RECALL,SHIFT,ENTER	4	
* 340	WC311300	Button Cursor	S_GRAY/S_GRAY/DEC	DEC/CANCEL		
* 350	WC311500	Button Cursor	S_GRAY/S_GRAY/INC	INC/OK		
* 360	WC310800	Button Cursor	S_GRAY/S_GRAY/UP	Cursor (Up)	2	
* 370	WC310900	Button Cursor	S_GRAY/S_GRAY/DOWN	Cursor (Down)	2	
* 380	WC311000	Button Cursor	S_GRAY/S_GRAY/RIGHT	Cursor (Right)		
* 390	WC311200	Button Cursor	S_GRAY/S_GRAY/LEFT	Cursor (Left)		
400	VP094500	Knob Large	BLACK/S_GRAY	LEVEL,PHONES (MONITOR), LEVEL (CUE)	3	03
410	VN938500	Knob Large	BLACK/M_GRAY	LEVEL (TALKBACK)		03
420	V4622300	Encoder Knob	BLUE/L_GRAY	ST IN 1-4/FX RTN 1-4	4	01
430	V5270800	Fader Knob	BLACK/M_GRAY	ST IN 1-4/FX RTN 1-4	4	02
440	V4622200	Fader Knob	BLACK/D_RED	STEREO A,STEREO B	2	02
* 450	WC310500	Fader Knob	BLACK/D_GRAY	DCA 1-8	8	
460	V3744300	Switch Knob	L-ST LENS/S_GRAY	CH 1-24,CH 25-48,A-F (FADER MODE),USER DEFINED KEY 25,ST IN 1-4, FX RTN 1-4 (ST IN 1-4/ FX RTN 1-4),ON (STEREO A, STEREO B,ST IN 1-4/ FX RTN 1-4)	17	01
470	V4623100	Switch Knob	L-ST LENS/M_GRAY	1-8 (SCENE MEMORY), MUTE (DCA 1-8)	16	01

*: New Parts

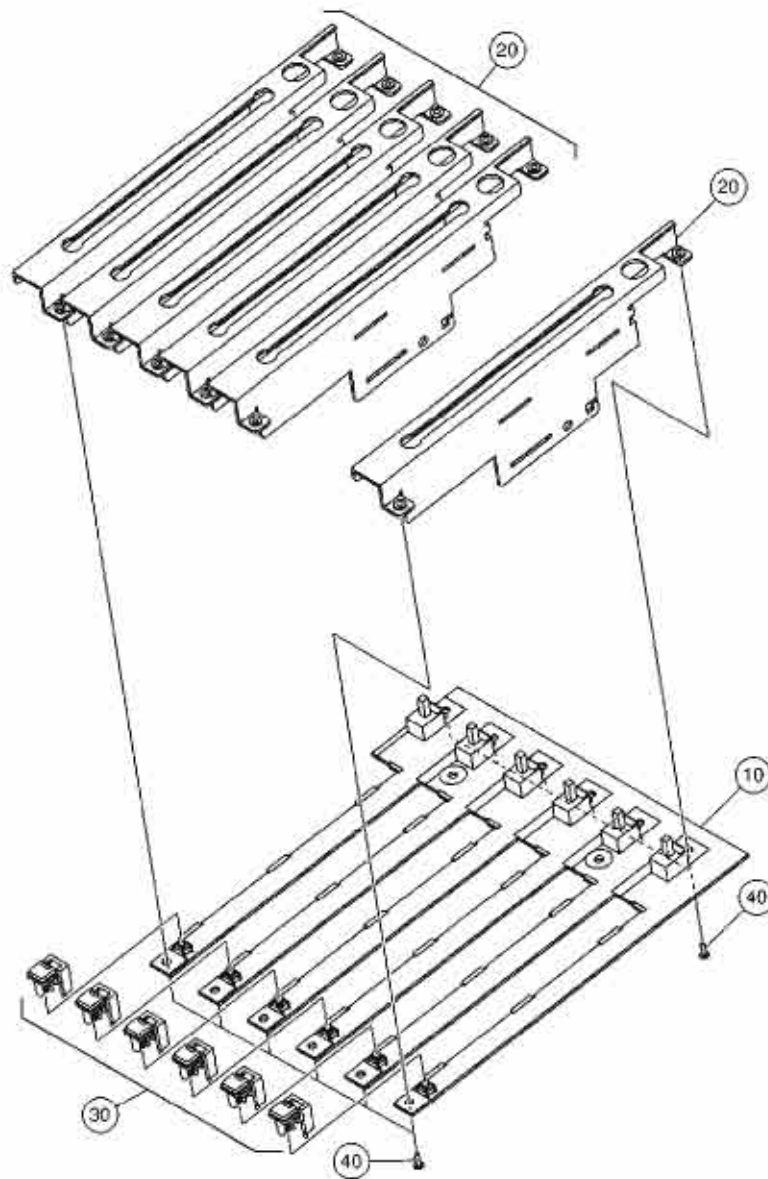
RANK: Japan only

REF NO.	PART NO.	DESCRIPTION		REMARKS	QTY	RANK
480	V4623300	Switch Knob	L-ST LENS/Y_BROWN			01
490	V6529100	Knob Wheel		DCA (FADER MODE) DATA encoder		14
500	EC030030	Flat Head Screw	3.0X6 MFZN2BL		30	01
505	EC020020	Flat Head Screw	2.5X6 MFZN2BL		4	01
510	EP600190	Bind Head Tapping Screw-B	3.0X8 MFZN2BL		67	01
520	EG330360	Bind Head Screw	3.0X6 MFZN2BL		22	01
530	VY711600	Spacer			12	02
550	V6055300	Button Bolt	3.0X8 MFZNBL		3	01
560	VB764100	Bind Head Screw	SP 4.0X12 MFZN2Y		4	01
570	--	LCD Assembly		(WB53910)		
575	--	Earth Film Plate		(WD09260)		
580	--	Angle, CP2 5		(WB12370)		
590	--	Angle, LCD 3		(WB24500)		
600	--	Tape		(V551740)		
610	--	Sub Chassis	TP	(V547930)		
620	V5049800	Circuit Board	TPSW			15
630	V9589100	Glide Point				14
640	--	Insulation Sheet	TP	(V547940)		
650	--	Silicon Sheet		(V567400)	2	
660	VU669500	Cable, FFC	8P 130mm			01
680	VB096700	Bind Head Tapping Screw-B	2.5X8 MFZN2BL		2	01
690	VR991600	Hexagonal Nut	7.0 11X2 MFZN2BL		2	01
700	VJ388000	Hexagonal Nut	9.0 11X2 MFZN2BL		3	01
710	V4742500	Ball Catch	TL-42-2			06
* 800	WC228300	Cable	P-1.25-K-35-100			
* 810	WC226900	Connector Assembly	POWER VH 5P #18			
* 820	WC226800	Connector Assembly	POWER VH 6P #18			
* 830	WC226700	Connector Assembly	POWER VH 4P #18			
* 840	WC228800	Connector Assembly	FADER 5483 4P 400L		14	
850	CB069250	Cord Holder	BK-1		15	01
* 860	WC232300	Connector Assembly	TB PH 3P			
870	WB060600	Sponge Spacer	1		11	01
* 880	WB918600	Circuit Board	TBVOL (MNCOM)	(WB08530)		
890	VA126100	Adhesive Tape	12X50			03
905	CB836190	Cord Binder	CKN-10		3	02
915	--	Cord Binder	S-128	(VJ77080)	2	
920	--	CP2 Holder Angle		(WD38570)		
930	WB111800	Sponge Spacer	3			
940	--	Ferrite Angle		(WD58350)		
950	CB817510	Cord Binder	S-14B			03

* New Parts

RANK: Japan only

■ PN3 ASSEMBLY

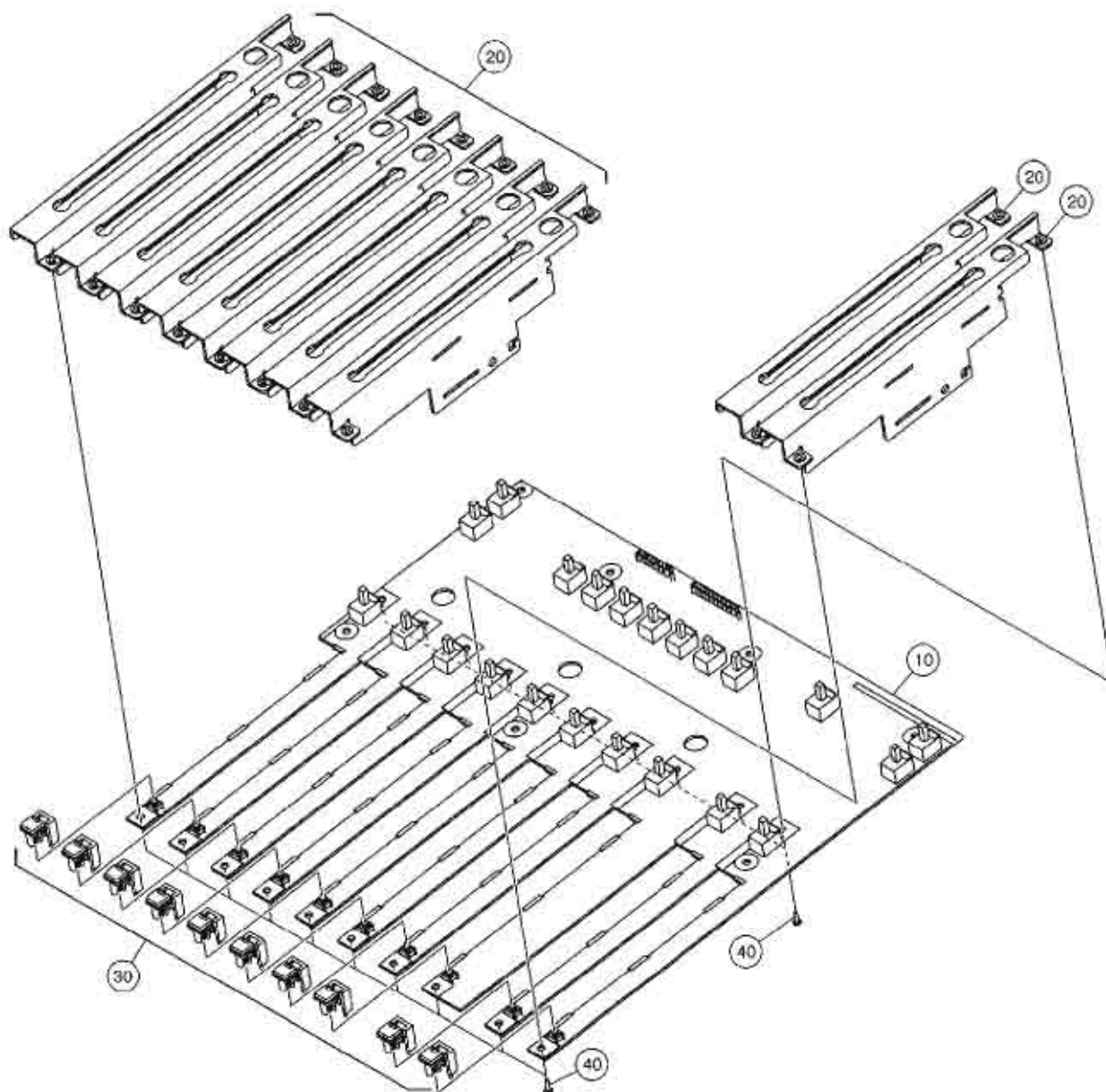


REF. NO.	PART NO.	DESCRIPTION		REMARKS	QTY	RANK
		PN3 ASSEMBLY		PM5D/PM5D-RH		
*	--	PN3 Assembly		(WB53870)		
10	WA769300	Circuit Board	PN3	(WB18050)		
20	--	Angle, Fader		(WB29060)	6	
30	V3744500	Switch Knob	S-ST LENS/S. GRAY	CUE (CH 1-24/CH 25-48)	6	01
40	EP600230	Bind Head Tapping Screw-B	3.0X6 MFZN2BL		12	01

*: New Parts

RANK: Japan only

PN4 ASSEMBLY

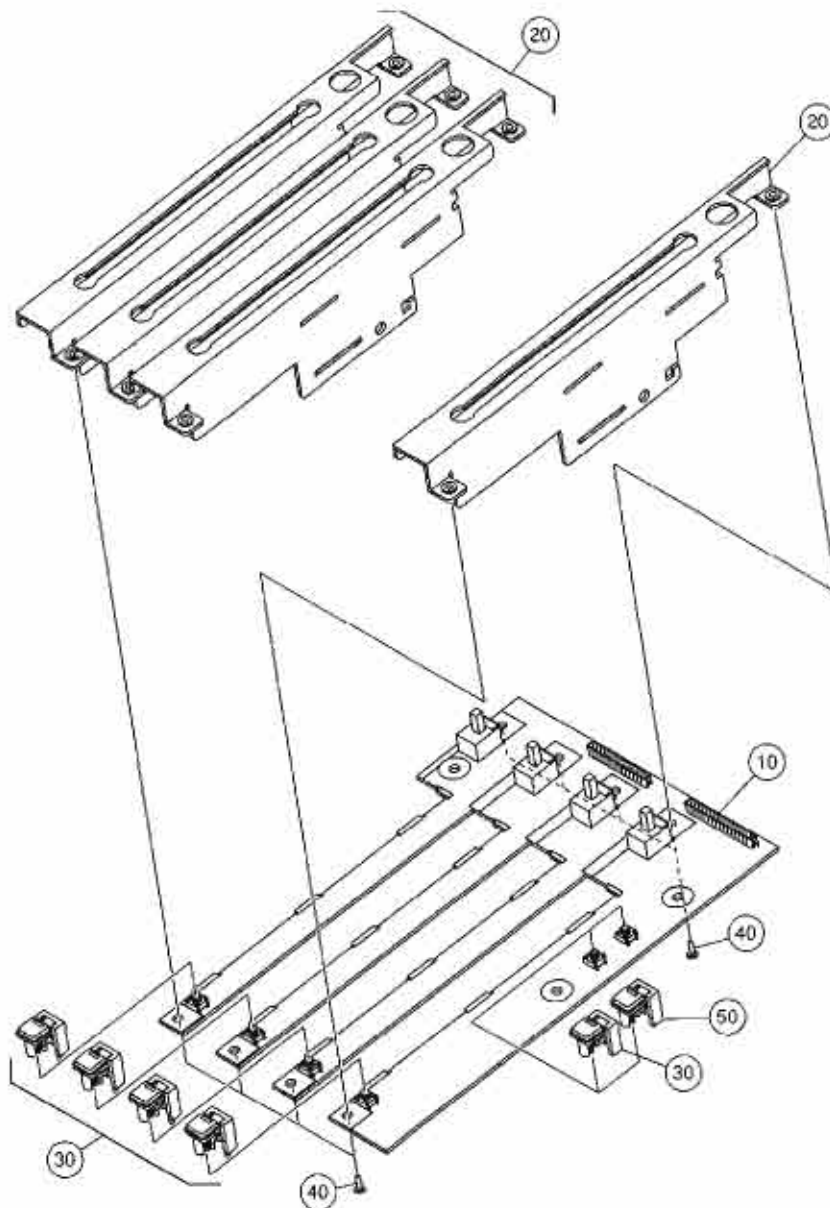


REF NO.	PART NO.	DESCRIPTION		REMARKS	QTY	RANK
	--	PN4 ASSEMBLY		PM5D/PM5D-RH		
10	WA769500	PN4 Assembly Circuit Board	PN4 (PNCOM)	(WB53900) (WB06470)	10	
20	--	Angle, Fader		(WB29060)		
30	V3744500	Switch Knob	S-ST LENS/S_GRAY	CUE (DCA 1-8,STEREO A, STEREO B)	10	01
40	EP600230	Blind Head Tapping Screw-B	3.0X6 MF2N2BL		20	01

* New Parts

RANK: Japan only

PN6 ASSEMBLY

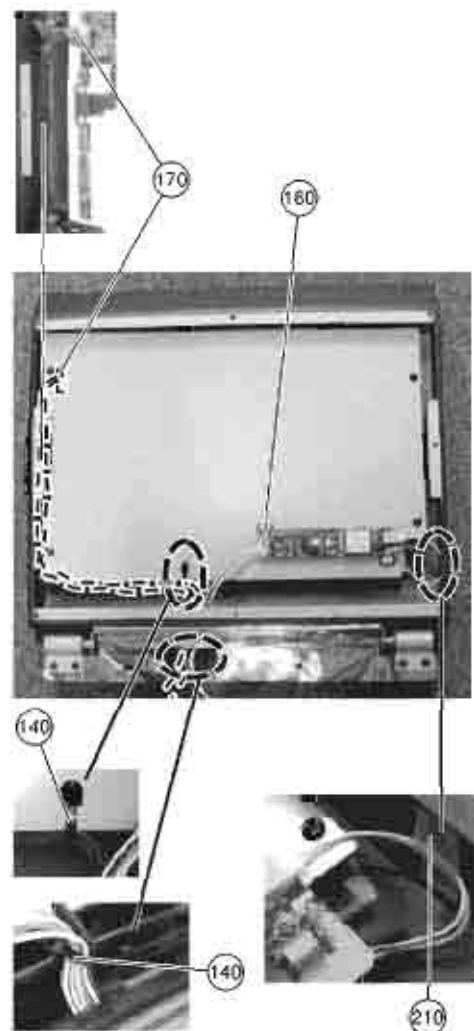
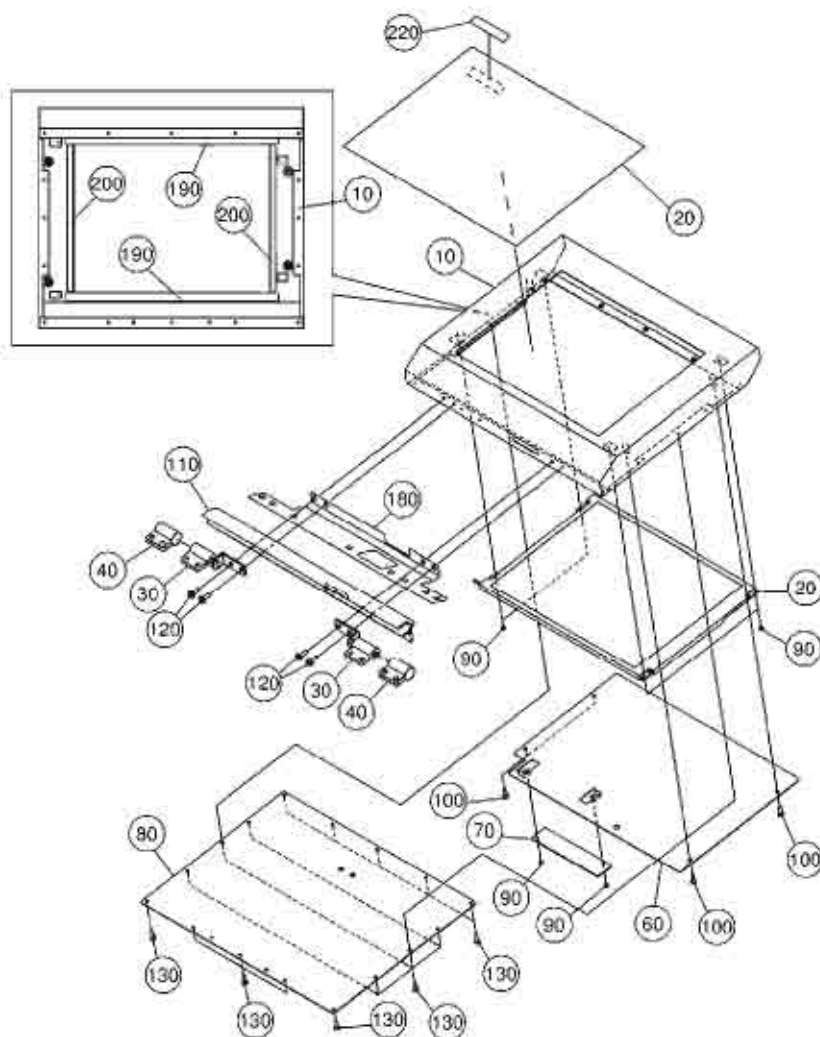


REF. NO.	PART NO.	DESCRIPTION		REMARKS	QTY	RANK
	--	PN6 ASSEMBLY		PM5D/PM5D-RH		
* 10	WA769600	PN6 Assembly	PN6	(WB53890)		
20	--	Circuit Board		(WB29060)	4	
30	V3744500	Angle, Fader		MUTE (ASSIGN MODE), CUE	5	01
		Switch Knob	S-ST LENS/S_GRAY	(ST IN 1-4/FX RTN 1-4)		
40	EP600230	Blind Head Tapping Screw-B	3.0X6 MFZN2BL		8	01
* 50	WC310600	Switch Knob	S-ST LENS/YELLOW	DCA (ASSIGN MODE)		

*: New Parts

RANK: Japan only

LCD ASSEMBLY



REF. NO.	PART NO.	DESCRIPTION	REMARKS	QTY	RANK
	--	LCD ASSEMBLY	PM5D/PM5D-RH		
	--	LCD Assembly	(WB53910)		
* 10	WB316600	LCD Case			
* 20	WB059300	LCD	TM100SV-02L02		
30	V4742400	Hinge	TH-122-1A T=18KG		
40	--	Angle, Bracket		2	10
80	--	LCD Case	MIDDLE		
70	WB221500	DC-AC Inverter	CXA-L0612A-V5L		
80	--	LCD Case	REAR		
90	VQ717600	Bind Head Screw	2.0X3 MFZN2Y		
100	EG330360	Bind Head Screw	3.0X6 MFZN2BL		
110	--	Angle, LCD 4			
120	EG340360	Bind Head Screw	4.0X8 MFZN2BL		
130	EP600230	Bind Head Tapping Screw-B	3.0X6 MFZN2BL		
140	CB069250	Cord Holder	BK-1		
* 160	WB273200	Connector Assembly	MAIN-IT 5P		
* 170	WC218900	Connector Assembly	LCD 14P		
* 180	WD108800	LCD Earth Film			
* 190	WD297600	Nonwoven Fabric Cloth, LCD1	222X4X0.45 BLACK		
* 200	WD297700	Nonwoven Fabric Cloth, LCD2	150X4X0.45 BLACK		
210	VA126100	Adhesive Tape	12X50		
220	--	LCD Label			
			(V218020)		03

* New Parts

RANK: Japan only

ELECTRICAL PARTS

REF NO.	PART NO.	DESCRIPTION	REMARKS	QTY	RANK
		ELECTRICAL PARTS	PM5D/PM5D-RH		
*	WB085500	Circuit Board	AD1	PM5D (XZ020C0)	
*	WA770400	Circuit Board	AD2 (ADCOM)	PM5D (WB08540)(X4144C0)	
*	WB085600	Circuit Board	LPVOL (ADCOM)	PM5D (WB08540)(X4144C0)	
*	WC222200	Circuit Board	AD3	PM5D-RH (X4874C0)	
*	WC069900	Circuit Board	HIC-HA	PM5D-RH(WC06320)(X4876B0)	
*	WA770100	Circuit Board	ANI1	PM5D (WB43480)(XZ032C0)	
*	WA770700	Circuit Board	ANI2 (ANI2)	PM5D (WB17580)(X4164B0)	
*	WB452300	Circuit Board	LED (ANI2)	PM5D (WB17580)(X4164B0)	
*	WA770300	Circuit Board	ANI3	(X4168C0)	
*	WA829200	Circuit Board	BRG1 (BRCOM)	(WC21950)(X4613B0)	
*	WB804700	Circuit Board	BRG5 (BRCOM)	(WC21950)(X4613B0)	
*	WA829300	Circuit Board	BRG2	(X4099B0)	
*	WB057100	Circuit Board	BRG3	(X4100B0)	
*	WC219300	Circuit Board	BRG4	(X4530B0)	
*	WC221900	Circuit Board	CN1R	PM5D-RH (X4976B0)	
*	WA770600	Circuit Board	DA1	(X4169B0)	
*	WA770700	Circuit Board	DA2	(X4170B0)	
*	WA829800	Circuit Board	DA3 (DACOM)	(WB17690)(X4171B0)	
*	WB057300	Circuit Board	PHN2 (DACOM)	(WB17690)(X4171B0)	
*	WD275600	Circuit Board	DR	(XW326D0)	
*	V5547100	Circuit Board	DRL	(XW326D0)	15
*	V4566200	Circuit Board	DRN	(XW326D0)	15
*	WA771300	Circuit Board	DGP	(X4110B0)	
*	WA769900	Circuit Board	FDA	(X4098C0)	
*	WA770000	Circuit Board	FDB	(X4158C0)	
*	WA865400	Circuit Board	FDC	(X4141D0)	
*	WA806400	Circuit Board	JK1	(X5102B0)	
*	WA771000	Circuit Board	JK2	(X4117C0)	
*	WC221700	Circuit Board	LD (LDCOM)	PM5D-RH(WC31430)(X4974C0)	
*	WC321600	Circuit Board	LPVOL (LDCOM)	PM5D-RH(WC31430)(X4974C0)	
*	WC221800	Circuit Board	STLD (LDCOM)	PM5D-RH(WC31430)(X4974C0)	
*	WC222100	Circuit Board	SW48 (LDCOM)	PM5D-RH(WC31430)(X4974C0)	
*	WA771200	Circuit Board	MAIN	(X4042B0)	
*	WB056200	Circuit Board	CUVOL (MNCOM)	(WB08530)(X4143C0)	
*	WB056100	Circuit Board	MNVOL (MNCOM)	(WB08530)(X4143C0)	
*	WA770900	Circuit Board	PHN1 (MNCOM)	(WB08530)(X4143C0)	
*	WA770800	Circuit Board	TB (MNCOM)	(WB08530)(X4143C0)	
*	WB918600	Circuit Board	TB VOL (MNCOM)	(WB08530)(X4143C0)	
*	WA771100	Circuit Board	OPT	(X4116C0)	
*	WA768800	Circuit Board	PN1	(X4092B0)	
*	WA769200	Circuit Board	PN2	(WB18050)(X4091B0)	
*	WA769300	Circuit Board	PN3	(WB18060)(X4090C0)	
*	WA769600	Circuit Board	PN6	(X4096C0)	
*	WA769800	Circuit Board	PN8	1/2,2/2 (X4097B0)	
*	WA769500	Circuit Board	PN4 (PNCOM)	(WB08470)(X4095B0)	
*	WA769400	Circuit Board	PN5 (PNCOM)	(WB08470)(X4095B0)	
*	WA768700	Circuit Board	SL	(X4093B0)	
*	WB084800	Circuit Board	SR	(1/2),(2/2) (X4094B0)	
*	V5049800	Circuit Board	TPSW	(XY486A0)	15
C001	WB085500	Circuit Board	AD1	PM5D (XZ020C0)	
C002	UR877470	Electrolytic Cap.	47.00 63.0V		01
C003	UR848100	Electrolytic Cap.	100.00 25.0V		01
C004	V5829200	Electrolytic Cap. (chip)	100 20V 20SG100M-T		04
C005	V5829200	Electrolytic Cap. (chip)	100 20V 20SG100M-T		04
C006	V5829300	Electrolytic Cap. (chip)	100 16V 16SG100M-T		04
C007	V5829300	Electrolytic Cap. (chip)	100 16V 16SG100M-T		04
C008	US145100	Ceramic Capacitor-F (chip)	0.1000 25V Z		01
C009	US145100	Ceramic Capacitor-F (chip)	0.1000 25V Z		01
C010	V5829200	Electrolytic Cap. (chip)	100 20V 20SG100M-T		04
C011	V5829200	Electrolytic Cap. (chip)	100 20V 20SG100M-T		04
C012	US145100	Ceramic Capacitor-F (chip)	0.1000 25V Z		01
C101	UU147470	Electrolytic Cap.-FW	47.00 25.0V		01
C102	UU147470	Electrolytic Cap.-FW	47.00 25.0V		01
C103	U5062220	Ceramic Capacitor-SL(chip)	220P 50V J		01
C104	U5062220	Ceramic Capacitor-SL(chip)	220P 50V J		01
C105	UA353220	Mylar Capacitor	2200P 50V J		01
C106	UA353220	Mylar Capacitor	2200P 50V J		01
C107	UA353220	Mylar Capacitor	2200P 50V J		01
C108	UA353220	Mylar Capacitor	2200P 50V J		01
C109	UU147220	Electrolytic Cap.-FW	22.00 25.0V		01

* : New Parts

RANK: Japan only

REF NO.	PART NO.	DESCRIPTION	REMARKS	QTY	RANK
C110	US145100	Ceramic Capacitor-F (chip)	0.1000 25V Z		01
C111	WC617000	Electrolytic Cap. (chip)	22 20V 20SP22		03
C112	US145100	Ceramic Capacitor-F (chip)	0.1000 25V Z		01
C113	US145100	Ceramic Capacitor-F (chip)	0.1000 25V Z		01
C114	WC214000	Electrolytic Cap. (chip)	10 25V 25SP10		03
C115	WC214000	Electrolytic Cap. (chip)	10 25V 25SP10		03
C116	US135220	Ceramic Capacitor-F (chip)	0.2200 16V Z		01
C117	US135220	Ceramic Capacitor-F (chip)	0.2200 16V Z		01
C118	US145100	Ceramic Capacitor-F (chip)	0.1000 25V Z		01
C119	WC214000	Electrolytic Cap. (chip)	10 25V 25SP10		03
C120	US145100	Ceramic Capacitor-F (chip)	0.1000 25V Z		01
C121	US064100	Ceramic Capacitor-B (chip)	0.0100 50V K		01
-124	US064100	Ceramic Capacitor-B (chip)	0.0100 50V K		01
C201	UU147470	Electrolytic Cap.-FW	47.00 25.0V		01
C202	UU147470	Electrolytic Cap.-FW	47.00 25.0V		01
C203	US062220	Ceramic Capacitor-SL(chip)	220P 50V J		01
-206	US062220	Ceramic Capacitor-SL(chip)	220P 50V J		01
C207	UA353220	Mylar Capacitor	2200P 50V J		01
C208	UA353220	Mylar Capacitor	2200P 50V J		01
C209	UU147220	Electrolytic Cap.-FW	22.00 25.0V		01
C210	US145100	Ceramic Capacitor F (chip)	0.1000 25V Z		01
C211	WC617000	Electrolytic Cap. (chip)	22 20V 20SP22		03
C212	US145100	Ceramic Capacitor-F (chip)	0.1000 25V Z		01
C213	US145100	Ceramic Capacitor-F (chip)	0.1000 25V Z		01
C214	WC214000	Electrolytic Cap. (chip)	10 25V 25SP10		03
C215	WC214000	Electrolytic Cap. (chip)	10 25V 25SP10		03
C216	US135220	Ceramic Capacitor-F (chip)	0.2200 16V Z		01
C217	US135220	Ceramic Capacitor-F (chip)	0.2200 16V Z		01
C218	US145100	Ceramic Capacitor-F (chip)	0.1000 25V Z		01
C219	WC214000	Electrolytic Cap. (chip)	10 25V 25SP10		03
C220	US145100	Ceramic Capacitor-F (chip)	0.1000 25V Z		01
C221	US064100	Ceramic Capacitor-B (chip)	0.0100 50V K		01
-224	US064100	Ceramic Capacitor-B (chip)	0.0100 50V K		01
C301	UU147470	Electrolytic Cap.-FW	47.00 25.0V		01
C302	UU147470	Electrolytic Cap.-FW	47.00 25.0V		01
C303	US062220	Ceramic Capacitor-SL(chip)	220P 50V J		01
-306	US062220	Ceramic Capacitor-SL(chip)	220P 50V J		01
C307	UA353220	Mylar Capacitor	2200P 50V J		01
C308	UA353220	Mylar Capacitor	2200P 50V J		01
C309	UU147220	Electrolytic Cap.-FW	22.00 25.0V		01
C310	US145100	Ceramic Capacitor-F (chip)	0.1000 25V Z		01
C311	WC617000	Electrolytic Cap. (chip)	22 20V 20SP22		03
C312	US145100	Ceramic Capacitor-F (chip)	0.1000 25V Z		01
C313	US145100	Ceramic Capacitor-F (chip)	0.1000 25V Z		01
C314	WC214000	Electrolytic Cap. (chip)	10 25V 25SP10		03
C315	WC214000	Electrolytic Cap. (chip)	10 25V 25SP10		03
C316	US135220	Ceramic Capacitor-F (chip)	0.2200 16V Z		01
C317	US135220	Ceramic Capacitor-F (chip)	0.2200 16V Z		01
C318	US145100	Ceramic Capacitor-F (chip)	0.1000 25V Z		01
C319	WC214000	Electrolytic Cap. (chip)	10 25V 25SP10		03
C320	US145100	Ceramic Capacitor-F (chip)	0.1000 25V Z		01
C321	US064100	Ceramic Capacitor-B (chip)	0.0100 50V K		01
-324	US064100	Ceramic Capacitor-B (chip)	0.0100 50V K		01
C401	UU147470	Electrolytic Cap.-FW	47.00 25.0V		01
C402	UU147470	Electrolytic Cap.-FW	47.00 25.0V		01
C403	US062220	Ceramic Capacitor-SL(chip)	220P 50V J		01
-406	US062220	Ceramic Capacitor-SL(chip)	220P 50V J		01
C407	UA353220	Mylar Capacitor	2200P 50V J		01
C408	UA353220	Mylar Capacitor	2200P 50V J		01
C409	UU147220	Electrolytic Cap.-FW	22.00 25.0V		01
C410	US145100	Ceramic Capacitor-F (chip)	0.1000 25V Z		01
C411	WC617000	Electrolytic Cap. (chip)	22 20V 20SP22		03
C412	US145100	Ceramic Capacitor-F (chip)	0.1000 25V Z		01
C413	US145100	Ceramic Capacitor-F (chip)	0.1000 25V Z		01
C414	WC214000	Electrolytic Cap. (chip)	10 25V 25SP10		03
C415	WC214000	Electrolytic Cap. (chip)	10 25V 25SP10		03
C416	US135220	Ceramic Capacitor-F (chip)	0.2200 16V Z		01
C417	US135220	Ceramic Capacitor-F (chip)	0.2200 16V Z		01
C418	US145100	Ceramic Capacitor-F (chip)	0.1000 25V Z		01
C419	WC214000	Electrolytic Cap. (chip)	10 25V 25SP10		03

* New Parts

RANK: Japan only

PM5D/PM5D-RH

REF NO.	PART NO.	DESCRIPTION		REMARKS	QTY	RANK
C420	US145100	Ceramic Capacitor-F (chip)	0.1000 25V Z			01
C421	US064100	Ceramic Capacitor-B (chip)	0.0100 50V K			01
-424	US064100	Ceramic Capacitor-B (chip)	0.0100 50V K			01
C501	UU147470	Electrolytic Cap.-FW	47.00 25.0V			01
C502	UU147470	Electrolytic Cap.-FW	47.00 25.0V			01
C503	US062220	Ceramic Capacitor-SL(chip)	220P 50V J			01
-506	US062220	Ceramic Capacitor-SL(chip)	220P 50V J			01
C507	UA353220	Mylar Capacitor	2200P 50V J			01
C508	UA353220	Mylar Capacitor	2200P 50V J			01
C509	UU147220	Electrolytic Cap.-FW	22.00 25.0V			01
C510	US145100	Ceramic Capacitor-F (chip)	0.1000 25V Z			01
C511	WC617000	Electrolytic Cap. (chip)	22 20V 20SP22			03
C512	US145100	Ceramic Capacitor-F (chip)	0.1000 25V Z			01
C513	US145100	Ceramic Capacitor-F (chip)	0.1000 25V Z			01
C514	WC214000	Electrolytic Cap. (chip)	10 25V 25SP10			03
C515	WC214000	Electrolytic Cap. (chip)	10 25V 25SP10			03
C516	US135220	Ceramic Capacitor-F (chip)	0.2200 16V Z			01
C517	US135220	Ceramic Capacitor-F (chip)	0.2200 16V Z			01
C518	US145100	Ceramic Capacitor-F (chip)	0.1000 25V Z			01
C519	WC214000	Electrolytic Cap. (chip)	10 25V 25SP10			03
C520	US145100	Ceramic Capacitor-F (chip)	0.1000 25V Z			01
C521	US064100	Ceramic Capacitor-B (chip)	0.0100 50V K			01
-524	US064100	Ceramic Capacitor-B (chip)	0.0100 50V K			01
C601	UU147470	Electrolytic Cap.-FW	47.00 25.0V			01
C602	UU147470	Electrolytic Cap.-FW	47.00 25.0V			01
C603	US062220	Ceramic Capacitor-SL(chip)	220P 50V J			01
-606	US062220	Ceramic Capacitor-SL(chip)	220P 50V J			01
C607	UA353220	Mylar Capacitor	2200P 50V J			01
C608	UA353220	Mylar Capacitor	2200P 50V J			01
C609	UU147220	Electrolytic Cap.-FW	22.00 25.0V			01
C610	US145100	Ceramic Capacitor-F (chip)	0.1000 25V Z			01
C611	WC617000	Electrolytic Cap. (chip)	22 20V 20SP22			03
C612	US145100	Ceramic Capacitor-F (chip)	0.1000 25V Z			01
C613	US145100	Ceramic Capacitor-F (chip)	0.1000 25V Z			01
C614	WC214000	Electrolytic Cap. (chip)	10 25V 25SP10			03
C615	WC214000	Electrolytic Cap. (chip)	10 25V 25SP10			03
C616	US135220	Ceramic Capacitor-F (chip)	0.2200 16V Z			01
C617	US135220	Ceramic Capacitor-F (chip)	0.2200 16V Z			01
C618	US145100	Ceramic Capacitor-F (chip)	0.1000 25V Z			01
C619	WC214000	Electrolytic Cap. (chip)	10 25V 25SP10			03
C620	US145100	Ceramic Capacitor-F (chip)	0.1000 25V Z			01
C621	US064100	Ceramic Capacitor-B (chip)	0.0100 50V K			01
-624	US064100	Ceramic Capacitor-B (chip)	0.0100 50V K			01
CN001	VF283400	Connector Base Post	PH 16P TE			01
CN002	VK025600	Wire Trap	52147 12P TE			01
CN003	VF728200	Wire Trap	52147 10P TE			01
CN101	VI378700	Connector Socket	MQ 9P SE			01
CN102	VI378700	Connector Socket	MQ 9P SE			01
CN201	VI378700	Connector Socket	MQ 9P SE			01
CN202	VI378700	Connector Socket	MQ 9P SE			01
CN301	VI378700	Connector Socket	MQ 9P SE			01
CN302	VI378700	Connector Socket	MQ 9P SE			01
CN401	VI378700	Connector Socket	MQ 9P SE			01
CN402	VI378700	Connector Socket	MQ 9P SE			01
CN501	VI378700	Connector Socket	MQ 9P SE			01
CN502	VI378700	Connector Socket	MQ 9P SE			01
CN601	VI378700	Connector Socket	MQ 9P SE			01
CN602	VI378700	Connector Socket	MQ 9P SE			01
EM001	VD542700	LC Filter	DSS6NF31C223Q93A			01
-005	VD542700	LC Filter	DSS6NF31C223Q93A			01
IC001	X5720A00	IC	TC74HC245AF	TRANSCEIVER		03
IC002	X5720A00	IC	TC74HC245AF	TRANSCEIVER		03
IC003	XM182A00	IC	TC7504F	INVERTER		01
IC101	XF291A00	IC	UPC4570G2	OP AMP		03
IC102	XF291A00	IC	UPC4570G2	OP AMP		03
IC103	XZ298A00	IC	AK5393VS-E2	ADC		12
IC201	XF291A00	IC	UPC4570G2	OP AMP		03
IC202	XF291A00	IC	UPC4570G2	OP AMP		03
IC203	XZ298A00	IC	AK5393VS-E2	ADC		12
IC301	XF291A00	IC	UPC4570G2	OP AMP		03

*: New Parts

RANK: Japan only

REF NO.	PART NO.	DESCRIPTION	REMARKS	QTY	RANK
IC302	XF291A00	IC	UPC4570G2		03
IC303	XZ298A00	IC	AK5393VS-E2	OP AMP	12
IC401	XF291A00	IC	UPC4570G2	ADC	03
IC402	XF291A00	IC	UPC4570G2	OP AMP	03
IC403	XZ298A00	IC	AK5393VS-E2	OP AMP	12
IC501	XF291A00	IC	UPC4570G2	ADC	03
IC502	XF291A00	IC	UPC4570G2	ADC	03
IC503	XZ298A00	IC	AK5393VS-E2	OP AMP	12
IC601	XF291A00	IC	UPC4570G2	OP AMP	03
IC602	XF291A00	IC	UPC4570G2	OP AMP	03
IC603	XZ298A00	IC	AK5393VS-E2	ADC	12
J003	RD250000	Carbon Resistor (chip)	0.0 0.0 J		01
L001	RD250000	Carbon Resistor (chip)	0.0 0.0 J		01
-011	RD250000	Carbon Resistor (chip)	0.0 0.0 J		01
R101	HF458100	Carbon Resistor	100.0K 1/4 J		01
R102	HF458100	Carbon Resistor	100.0K 1/4 J		01
R103	HB027200	Metal Film Resistor	20.0K 1/4 F		01
R104	HB027200	Metal Film Resistor	20.0K 1/4 F		01
R109	HB026220	Metal Film Resistor	2.2K 1/4 F		01
-114	HB026220	Metal Film Resistor	2.2K 1/4 F		01
R115	HB026270	Metal Film Resistor	2.7K 1/4 F		01
R116	HB027110	Metal Film Resistor	11.0K 1/4 F		01
R117	HB026270	Metal Film Resistor	2.7K 1/4 F		01
R119	HF454470	Carbon Resistor	47.0 1/4 J		01
-121	HF454470	Carbon Resistor	47.0 1/4 J		01
R122	RD255100	Carbon Resistor (chip)	100.0 0.1 J		01
-127	RD255100	Carbon Resistor (chip)	100.0 0.1 J		01
R128	RD250000	Carbon Resistor (chip)	0.0 0.0 J		01
R129	RD250000	Carbon Resistor (chip)	0.0 0.0 J		01
R201	HF458100	Carbon Resistor	100.0K 1/4 J		01
R202	HF458100	Carbon Resistor	100.0K 1/4 J		01
R203	HB027200	Metal Film Resistor	20.0K 1/4 F		01
R204	HB027200	Metal Film Resistor	20.0K 1/4 F		01
R209	HB026220	Metal Film Resistor	2.2K 1/4 F		01
-214	HB026220	Metal Film Resistor	2.2K 1/4 F		01
R215	HB026270	Metal Film Resistor	2.7K 1/4 F		01
R216	HB027110	Metal Film Resistor	11.0K 1/4 F		01
R217	HB026270	Metal Film Resistor	2.7K 1/4 F		01
R218	HF454470	Carbon Resistor	47.0 1/4 J		01
-221	HF454470	Carbon Resistor	47.0 1/4 J		01
R222	RD255100	Carbon Resistor (chip)	100.0 0.1 J		01
-227	RD255100	Carbon Resistor (chip)	100.0 0.1 J		01
R228	RD250000	Carbon Resistor (chip)	0.0 0.0 J		01
R229	RD250000	Carbon Resistor (chip)	0.0 0.0 J		01
R301	HF458100	Carbon Resistor	100.0K 1/4 J		01
R302	HF458100	Carbon Resistor	100.0K 1/4 J		01
R303	HB027200	Metal Film Resistor	20.0K 1/4 F		01
R304	HB027200	Metal Film Resistor	20.0K 1/4 F		01
R309	HB026220	Metal Film Resistor	2.2K 1/4 F		01
-314	HB026220	Metal Film Resistor	2.2K 1/4 F		01
R315	HB026270	Metal Film Resistor	2.7K 1/4 F		01
R316	HB027110	Metal Film Resistor	11.0K 1/4 F		01
R317	HB026270	Metal Film Resistor	2.7K 1/4 F		01
R318	HF454470	Carbon Resistor	47.0 1/4 J		01
-321	HF454470	Carbon Resistor	47.0 1/4 J		01
R322	RD255100	Carbon Resistor (chip)	100.0 0.1 J		01
-327	RD255100	Carbon Resistor (chip)	100.0 0.1 J		01
R328	RD250000	Carbon Resistor (chip)	0.0 0.0 J		01
R329	RD250000	Carbon Resistor (chip)	0.0 0.0 J		01
R401	HF458100	Carbon Resistor	100.0K 1/4 J		01
R402	HF458100	Carbon Resistor	100.0K 1/4 J		01
R403	HB027200	Metal Film Resistor	20.0K 1/4 F		01
R404	HB027200	Metal Film Resistor	20.0K 1/4 F		01
R409	HB026220	Metal Film Resistor	2.2K 1/4 F		01
-414	HB026220	Metal Film Resistor	2.2K 1/4 F		01
R415	HB026270	Metal Film Resistor	2.7K 1/4 F		01
R416	HB027110	Metal Film Resistor	11.0K 1/4 F		01
R417	HB026270	Metal Film Resistor	2.7K 1/4 F		01
R418	HF454470	Carbon Resistor	47.0 1/4 J		01
-421	HF454470	Carbon Resistor	47.0 1/4 J		01

* New Parts

RANK: Japan only

PM5D/PM5D-RH

REF NO.	PART NO.	DESCRIPTION		REMARKS	QTY	RANK
R422	RD255100	Carbon Resistor (chip)	100.0 0.1 J			01
-427	RD255100	Carbon Resistor (chip)	100.0 0.1 J			01
R428	RD250000	Carbon Resistor (chip)	0.0 0.0 J			01
R429	RD250000	Carbon Resistor (chip)	0.0 0.0 J			01
R501	HF458100	Carbon Resistor	100.0K 1/4 J			01
R502	HF458100	Carbon Resistor	100.0K 1/4 J			01
R503	HB027200	Metal Film Resistor	20.0K 1/4 F			
R504	HB027200	Metal Film Resistor	20.0K 1/4 F			
R509	HB026220	Metal Film Resistor	2.2K 1/4 F			01
-514	HB026220	Metal Film Resistor	2.2K 1/4 F			01
R515	HB026270	Metal Film Resistor	2.7K 1/4 F			01
R516	HB027110	Metal Film Resistor	11.0K 1/4 F			01
R517	HB026270	Metal Film Resistor	2.7K 1/4 F			01
R518	HF454470	Carbon Resistor	47.0 1/4 J			01
-521	HF454470	Carbon Resistor	47.0 1/4 J			01
R522	RD255100	Carbon Resistor (chip)	100.0 0.1 J			01
-527	RD255100	Carbon Resistor (chip)	100.0 0.1 J			01
R528	RD250000	Carbon Resistor (chip)	0.0 0.0 J			01
R529	RD250000	Carbon Resistor (chip)	0.0 0.0 J			01
R601	HF458100	Carbon Resistor	100.0K 1/4 J			01
R602	HF458100	Carbon Resistor	100.0K 1/4 J			01
R603	HB027200	Metal Film Resistor	20.0K 1/4 F			
R604	HB027200	Metal Film Resistor	20.0K 1/4 F			
R609	HB026220	Metal Film Resistor	2.2K 1/4 F			01
-614	HB026220	Metal Film Resistor	2.2K 1/4 F			01
R615	HB026270	Metal Film Resistor	2.7K 1/4 F			01
R616	HB027110	Metal Film Resistor	11.0K 1/4 F			01
R617	HB026270	Metal Film Resistor	2.7K 1/4 F			01
R618	HF454470	Carbon Resistor	47.0 1/4 J			01
-621	HF454470	Carbon Resistor	47.0 1/4 J			01
R622	RD255100	Carbon Resistor (chip)	100.0 0.1 J			01
-627	RD255100	Carbon Resistor (chip)	100.0 0.1 J			01
R628	RD250000	Carbon Resistor (chip)	0.0 0.0 J			01
R629	RD250000	Carbon Resistor (chip)	0.0 0.0 J			01
	WA770400	Circuit Board	AD2 (ADCOM)	PM5D (WB08540)(X4144C0)		
	WB085600	Circuit Board	LPVOL (ADCOM)	PM5D (WB08540)(X4144C0)		
C002	UR848100	Electrolytic Cap.	100.00 25.0V			01
C003	V5829200	Electrolytic Cap. (chip)	100 20V 20SG100M-T			04
C004	V5829200	Electrolytic Cap. (chip)	100 20V 20SG100M-T			04
C005	V5829300	Electrolytic Cap. (chip)	100 16V 16SG100M-T			04
C006	V5829300	Electrolytic Cap. (chip)	100 16V 16SG100M-T			04
C007	US145100	Ceramic Capacitor-F (chip)	0.1000 25V Z			01
-009	US145100	Ceramic Capacitor-F (chip)	0.1000 25V Z			01
C010	V5829200	Electrolytic Cap. (chip)	100 20V 20SG100M-T			04
C011	V5829200	Electrolytic Cap. (chip)	100 20V 20SG100M-T			04
C012	US145100	Ceramic Capacitor-F (chip)	0.1000 25V Z			01
C100	FG644100	Ceramic Capacitor-F	0.0100 50V Z			01
C301	UU147470	Electrolytic Cap.-FW	47.00 25.0V			01
C302	UU147470	Electrolytic Cap.-FW	47.00 25.0V			01
C303	US062220	Ceramic Capacitor-SL(chip)	220P 50V J			01
-308	US062220	Ceramic Capacitor-SL(chip)	220P 50V J			01
C307	UA353220	Mylar Capacitor	2200P 50V J			01
C308	UA353220	Mylar Capacitor	2200P 50V J			01
C309	UU147220	Electrolytic Cap.-FW	22.00 25.0V			01
C310	US145100	Ceramic Capacitor-F (chip)	0.1000 25V Z			01
C311	WC617000	Electrolytic Cap. (chip)	22 20V 20SP22			03
C312	US145100	Ceramic Capacitor-F (chip)	0.1000 25V Z			01
C313	US145100	Ceramic Capacitor-F (chip)	0.1000 25V Z			01
C314	WC214000	Electrolytic Cap. (chip)	10 25V 25SP10			03
C315	WC214000	Electrolytic Cap. (chip)	10 25V 25SP10			03
C316	US135220	Ceramic Capacitor-F (chip)	0.2200 16V Z			01
C317	US135220	Ceramic Capacitor-F (chip)	0.2200 16V Z			01
C318	US145100	Ceramic Capacitor-F (chip)	0.1000 25V Z			01
C319	WC214000	Electrolytic Cap. (chip)	10 25V 25SP10			03
C320	US145100	Ceramic Capacitor-F (chip)	0.1000 25V Z			01
C321	US064100	Ceramic Capacitor-B (chip)	0.0100 50V K			01
-324	US064100	Ceramic Capacitor-B (chip)	0.0100 50V K			01
C401	UU147470	Electrolytic Cap.-FW	47.00 25.0V			01
C402	UU147470	Electrolytic Cap.-FW	47.00 25.0V			01

*: New Parts

RANK: Japan only

REF NO.	PART NO.	DESCRIPTION	REMARKS	QTY	RANK
C403	US062220	Ceramic Capacitor-SL(chip)	220P 50V J		01
-406	US062220	Ceramic Capacitor-SL(chip)	220P 50V J		01
C407	UA353220	Mylar Capacitor	2200P 50V J		01
C408	UA353220	Mylar Capacitor	2200P 50V J		01
C409	UU147220	Electrolytic Cap.-FW	22.00 25.0V		01
C410	US145100	Ceramic Capacitor-F (chip)	0.1000 25V Z		01
C411	WC617000	Electrolytic Cap. (chip)	22 20V 20SP22		03
C412	US145100	Ceramic Capacitor-F (chip)	0.1000 25V Z		01
C413	US145100	Ceramic Capacitor-F (chip)	0.1000 25V Z		01
C414	WC214000	Electrolytic Cap. (chip)	10 25V 25SP10		03
C415	WC214000	Electrolytic Cap. (chip)	10 25V 25SP10		03
C416	US135220	Ceramic Capacitor-F (chip)	0.2200 16V Z		01
C417	US135220	Ceramic Capacitor-F (chip)	0.2200 16V Z		01
C418	US145100	Ceramic Capacitor-F (chip)	0.1000 25V Z		01
C419	WC214000	Electrolytic Cap. (chip)	10 25V 25SP10		03
C420	US145100	Ceramic Capacitor-F (chip)	0.1000 25V Z		01
C421	US064100	Ceramic Capacitor-B (chip)	0.0100 50V K		01
-424	US064100	Ceramic Capacitor-B (chip)	0.0100 50V K		01
C501	UU147470	Electrolytic Cap.-FW	47.00 25.0V		01
C502	UU147470	Electrolytic Cap.-FW	47.00 25.0V		01
C603	US062220	Ceramic Capacitor-SL(chip)	220P 50V J		01
-506	US062220	Ceramic Capacitor-SL(chip)	220P 50V J		01
C607	UA353220	Mylar Capacitor	2200P 50V J		01
C608	UA353220	Mylar Capacitor	2200P 50V J		01
C609	UU147220	Electrolytic Cap.-FW	22.00 25.0V		01
C610	US145100	Ceramic Capacitor-F (chip)	0.1000 25V Z		01
C611	WC617000	Electrolytic Cap. (chip)	22 20V 20SP22		03
C612	US145100	Ceramic Capacitor-F (chip)	0.1000 25V Z		01
C613	US145100	Ceramic Capacitor-F (chip)	0.1000 25V Z		01
C614	WC214000	Electrolytic Cap. (chip)	10 25V 25SP10		03
C615	WC214000	Electrolytic Cap. (chip)	10 25V 25SP10		03
C616	US135220	Ceramic Capacitor-F (chip)	0.2200 16V Z		01
C617	US135220	Ceramic Capacitor-F (chip)	0.2200 16V Z		01
C618	US145100	Ceramic Capacitor-F (chip)	0.1000 25V Z		01
C619	WC214000	Electrolytic Cap. (chip)	10 25V 25SP10		03
C620	US145100	Ceramic Capacitor-F (chip)	0.1000 25V Z		01
C621	US064100	Ceramic Capacitor-B (chip)	0.0100 50V K		01
-624	US064100	Ceramic Capacitor-B (chip)	0.0100 50V K		01
CN001	VF283300	Connector Base Post	PH 15P TE		01
CN002	VK025200	Wire Trap	52147 8P TE		01
CN003	VK025300	Wire Trap	52147 9P TE		01
CN100	VB858300	Connector Base Post	PH 4P SE		01
CN301	VI378700	Connector Socket	MQ 9P SE		01
CN401	VI378700	Connector Socket	MQ 9P SE		01
CN501	VI378700	Connector Socket	MQ 9P SE		01
CN601	VI378700	Connector Socket	MQ 9P SE		01
D300	V9634300	Diode	RB551V-30 TE-17		01
-307	V9634300	Diode	RB551V-30 TE-17		01
D400	V9634300	Diode	RB551V-30 TE-17		01
-407	V9634300	Diode	RB551V-30 TE-17		01

* New Parts

RANK: Japan only

PM5D/PM5D-RH

REF NO.	PART NO.	DESCRIPTION		REMARKS	QTY	RANK
D500	V9634300	Diode	RB551V-30 TE-17			01
-507	V9634300	Diode	RB551V-30 TE-17			01
D600	V9634300	Diode	RB551V-30 TE-17			01
-607	V9634300	Diode	RB551V-30 TE-17			01
EM001	VD542700	LC Filter	DSS6NF31C223Q93A			01
-005	VD542700	LC Filter	DSS6NF31C223Q93A			01
IC001	XD838A00	IC	SN74HC245NSR	TRANSCEIVER		04
IC002	XD838A00	IC	SN74HC245NSR	TRANSCEIVER		04
IC003	XM182A00	IC	TC7904F	INVERTER		01
IC301	XF291A00	IC	UPC4570G2	OP AMP		03
IC302	XF291A00	IC	UPC4570G2	OP AMP		03
IC303	XZ298A00	IC	AK5393VS-E2	ADC		12
IC401	XF291A00	IC	UPC4570G2	OP AMP		03
IC402	XF291A00	IC	UPC4570G2	OP AMP		03
IC403	XZ298A00	IC	AK5393VS-E2	ADC		12
IC501	XF291A00	IC	UPC4570G2	OP AMP		03
IC502	XF291A00	IC	UPC4570G2	OP AMP		03
IC503	XZ298A00	IC	AK5393VS-E2	ADC		12
IC601	XF291A00	IC	UPC4570G2	OP AMP		03
IC602	XF291A00	IC	UPC4570G2	OP AMP		03
IC603	XZ298A00	IC	AK5393VS-E2	ADC		12
R002	RD258100	Carbon Resistor (chip)	100.0K 0.1 J			01
R100	HF456150	Carbon Resistor	1.5K 1/4 J			01
R501	RD258100	Carbon Resistor (chip)	100.0K 0.1 J			01
R302	RD258100	Carbon Resistor (chip)	100.0K 0.1 J			01
R303	HB027130	Metal Film Resistor	13.0K 1/4 F			01
R304	HB027130	Metal Film Resistor	13.0K 1/4 F			01
R309	HB026180	Metal Film Resistor	1.8K 1/4 F			01
R310	HB026180	Metal Film Resistor	1.8K 1/4 F			01
R311	HB026220	Metal Film Resistor	2.2K 1/4 F			01
-314	HB026220	Metal Film Resistor	2.2K 1/4 F			01
R315	HB026270	Metal Film Resistor	2.7K 1/4 F			01
R316	HB027110	Metal Film Resistor	11.0K 1/4 F			01
R317	HB026270	Metal Film Resistor	2.7K 1/4 F			01
R318	HF454470	Carbon Resistor	47.0 1/4 J			01
-321	HF454470	Carbon Resistor	47.0 1/4 J			01
R522	RD255100	Carbon Resistor (chip)	100.0 0.1 J			01
-327	RD255100	Carbon Resistor (chip)	100.0 0.1 J			01
R401	RD258100	Carbon Resistor (chip)	100.0K 0.1 J			01
R402	RD258100	Carbon Resistor (chip)	100.0K 0.1 J			01
R403	HB027130	Metal Film Resistor	13.0K 1/4 F			01
R404	HB027130	Metal Film Resistor	13.0K 1/4 F			01
R409	HB026180	Metal Film Resistor	1.8K 1/4 F			01
R410	HB026180	Metal Film Resistor	1.8K 1/4 F			01
R411	HB026220	Metal Film Resistor	2.2K 1/4 F			01
-414	HB026220	Metal Film Resistor	2.2K 1/4 F			01
R415	HB026270	Metal Film Resistor	2.7K 1/4 F			01
R416	HB027110	Metal Film Resistor	11.0K 1/4 F			01
R417	HB026270	Metal Film Resistor	2.7K 1/4 F			01
R418	HF454470	Carbon Resistor	47.0 1/4 J			01
-421	HF454470	Carbon Resistor	47.0 1/4 J			01
R422	RD255100	Carbon Resistor (chip)	100.0 0.1 J			01
-427	RD255100	Carbon Resistor (chip)	100.0 0.1 J			01
R501	RD258100	Carbon Resistor (chip)	100.0K 0.1 J			01
R502	RD258100	Carbon Resistor (chip)	100.0K 0.1 J			01
R503	HB027130	Metal Film Resistor	13.0K 1/4 F			01
R504	HB027130	Metal Film Resistor	13.0K 1/4 F			01
R509	HB026180	Metal Film Resistor	1.8K 1/4 F			01
R510	HB026180	Metal Film Resistor	1.8K 1/4 F			01
R511	HB026220	Metal Film Resistor	2.2K 1/4 F			01
-514	HB026220	Metal Film Resistor	2.2K 1/4 F			01
R515	HB026270	Metal Film Resistor	2.7K 1/4 F			01
R516	HB027110	Metal Film Resistor	11.0K 1/4 F			01
R517	HB026270	Metal Film Resistor	2.7K 1/4 F			01
R518	HF454470	Carbon Resistor	47.0 1/4 J			01
-521	HF454470	Carbon Resistor	47.0 1/4 J			01
R522	RD255100	Carbon Resistor (chip)	100.0 0.1 J			01
-527	RD255100	Carbon Resistor (chip)	100.0 0.1 J			01
R601	RD258100	Carbon Resistor (chip)	100.0K 0.1 J			01
R602	RD258100	Carbon Resistor (chip)	100.0K 0.1 J			01

*: New Parts

RANK: J apan only

REF NO.	PART NO.	DESCRIPTION		REMARKS	QTY	RANK
R603	HB027130	Metal Film Resistor	13.0K 1/4 F			01
R604	HB027130	Metal Film Resistor	13.0K 1/4 F			01
R609	HB026180	Metal Film Resistor	1.8K 1/4 F			01
R610	HB026180	Metal Film Resistor	1.8K 1/4 F			01
R611	HB026220	Metal Film Resistor	2.2K 1/4 F			01
-614	HB026220	Metal Film Resistor	2.2K 1/4 F			01
R615	HB026270	Metal Film Resistor	2.7K 1/4 F			01
R616	HB027110	Metal Film Resistor	11.0K 1/4 F			01
R617	HB026270	Metal Film Resistor	2.7K 1/4 F			01
R618	HF454470	Carbon Resistor	47.0 1/4 J			01
-621	HF454470	Carbon Resistor	47.0 1/4 J			01
R622	RD255100	Carbon Resistor (chip)	100.0 0.1 J			01
-627	RD255100	Carbon Resistor (chip)	100.0 0.1 J			01
VR100	VP128200	Rotary Variable Resistor	B5K&DMY DMYx2 RK09	LAMP DIMMER		05
	WC222200	Circuit Board	A03	PM5D-RH (X4874C0)		
C001	US145100	Ceramic Capacitor-F (chip)	0.1000 25V Z			01
C002	US145100	Ceramic Capacitor-F (chip)	0.1000 25V Z			01
C003	UF018100	Electrolytic Cap. (chip)	100 6.3V			01
C004	US063150	Ceramic Capacitor-B (chip)	1500P 50V K			01
C005	US063150	Ceramic Capacitor B (chip)	1500P 50V K			01
C006	US145100	Ceramic Capacitor-F (chip)	0.1000 25V Z			01
-008	US145100	Ceramic Capacitor-F (chip)	0.1000 25V Z			01
C009	US063150	Ceramic Capacitor-B (chip)	1500P 50V K			01
C010	US145100	Ceramic Capacitor-F (chip)	0.1000 25V Z			01
C011	US063150	Ceramic Capacitor-B (chip)	1500P 50V K			01
C012	US063150	Ceramic Capacitor-B (chip)	1500P 50V K			01
C013	US145100	Ceramic Capacitor-F (chip)	0.1000 25V Z			01
-015	US145100	Ceramic Capacitor-F (chip)	0.1000 25V Z			01
C016	UF037100	Electrolytic Cap. (chip)	10 16V			01
C017	UF037100	Electrolytic Cap. (chip)	10 16V			01
C018	US062470	Ceramic Capacitor-SL(chip)	470P 50V J			01
C019	US145100	Ceramic Capacitor-F (chip)	0.1000 25V Z			01
C022	US145100	Ceramic Capacitor-F (chip)	0.1000 25V Z			01
C023	US061150	Ceramic Capacitor-CH(chip)	15P 50V J			01
C024	US061150	Ceramic Capacitor-CH(chip)	15P 50V J			01
C025	US145100	Ceramic Capacitor-F (chip)	0.1000 25V Z			01
-040	US145100	Ceramic Capacitor-F (chip)	0.1000 25V Z			01
C041	RD357470	Carbon Resistor (chip)	47.0K 63M J			01
C042	US145100	Ceramic Capacitor-F (chip)	0.1000 25V Z			01
C051	US145100	Ceramic Capacitor-F (chip)	0.1000 25V Z			01
-058	US145100	Ceramic Capacitor-F (chip)	0.1000 25V Z			01
C059	UF017470	Electrolytic Cap. (chip)	47 6.3V			01
C060	US135330	Ceramic Capacitor-F (chip)	0.3300 16V Z			01
C061	US145100	Ceramic Capacitor-F (chip)	0.1000 25V Z			01
C062	US145100	Ceramic Capacitor-F (chip)	0.1000 25V Z			01
C063	US135330	Ceramic Capacitor-F (chip)	0.3300 16V Z			01
C064	US145100	Ceramic Capacitor-F (chip)	0.1000 25V Z			01
-071	US145100	Ceramic Capacitor-F (chip)	0.1000 25V Z			01
C072	US062560	Ceramic Capacitor-SL(chip)	560P 50V J			01
C073	US145100	Ceramic Capacitor-F (chip)	0.1000 25V Z			01
-086	US145100	Ceramic Capacitor-F (chip)	0.1000 25V Z			01
C087	UF118330	Electrolytic Cap. (chip)	330 6.3V UUR0J3			01
C088	US044220	Ceramic Capacitor-B (chip)	0.0220 25V K			01
C089	UF128470	Electrolytic Cap. (chip)	470 10V UUR1A4			02
C090	VR327300	Mylar Capacitor (chip)	0.0820 16V J			01
C091	US044220	Ceramic Capacitor-B (chip)	0.0220 25V K			01
C092	US044220	Ceramic Capacitor-B (chip)	0.0220 25V K			01
C093	US145100	Ceramic Capacitor-F (chip)	0.1000 25V Z			01
C094	V6200900	Film Capacitor (chip)	1.0000 16V M			01
C095	US145100	Ceramic Capacitor-F (chip)	0.1000 25V Z			01
-098	US145100	Ceramic Capacitor-F (chip)	0.1000 25V Z			01
C100	US145100	Ceramic Capacitor-F (chip)	0.1000 25V Z			01
C101	UR877470	Electrolytic Cap.	47.00 63.0V			01
C102	WB830700	Electrolytic Cap.	100.00 63.0V			01
C103	WB830700	Electrolytic Cap.	100.00 63.0V			01
C104	V8591600	Mica Capacitor (chip)	470P 100V F			04
C105	V8591600	Mica Capacitor (chip)	470P 100V F			04
C106	UR819100	Electrolytic Cap.	1000 6.3V			01
C107	US064100	Ceramic Capacitor-B (chip)	0.0100 50V K			01

* New Parts

RANK: Japan only

REF NO.	PART NO.	DESCRIPTION		REMARKS	QTY	RANK
C108	U5064100	Ceramic Capacitor-B (chip)	0.0100 50V K			01
C109	V8221400	Electrolytic Cap. (chip)	120UF 20V			04
C110	V8221400	Electrolytic Cap. (chip)	120UF 20V			04
C111	V5619000	Electrolytic Cap.-TONEREX	100.00 25.0V			
C112	U5145100	Ceramic Capacitor-F (chip)	0.1000 25V Z			01
C113	U5145100	Ceramic Capacitor-F (chip)	0.1000 25V Z			01
C114	U5064100	Ceramic Capacitor-B (chip)	0.0100 50V K			01
C116	U5062100	Ceramic Capacitor-SL(chip)	100P 50V J			01
C117	U5062100	Ceramic Capacitor-SL(chip)	100P 50V J			01
C118	U5061150	Ceramic Capacitor-CH(chip)	15P 50V J			01
C119	U5064100	Ceramic Capacitor-B (chip)	0.0100 50V K			01
C120	U5064100	Ceramic Capacitor-B (chip)	0.0100 50V K			01
C121	V5619000	Electrolytic Cap.-TONEREX	100.00 25.0V			
C122	U5062330	Ceramic Capacitor-SL(chip)	330P 50V J			01
C123	U5062220	Ceramic Capacitor-SL(chip)	220P 50V J			01
C124	U5064100	Ceramic Capacitor-B (chip)	0.0100 50V K			01
C125	U5064100	Ceramic Capacitor-B (chip)	0.0100 50V K			01
C126	VR329100	Mylar Capacitor (chip)	0.0010 50V J			01
C127	U5145100	Ceramic Capacitor-F (chip)	0.1000 25V Z			01
C128	U5145100	Ceramic Capacitor-F (chip)	0.1000 25V Z			01
C129	WC617000	Electrolytic Cap. (chip)	22 20V 20SP22			03
C130	U5145100	Ceramic Capacitor-F (chip)	0.1000 25V Z			01
C131	WC617000	Electrolytic Cap. (chip)	22 20V 20SP22			03
C132	U5135220	Ceramic Capacitor-F (chip)	0.2200 10V Z			01
C133	U5145100	Ceramic Capacitor-F (chip)	0.1000 25V Z			01
C134	WC617000	Electrolytic Cap. (chip)	22 20V 20SP22			03
C135	U5145100	Ceramic Capacitor-F (chip)	0.1000 25V Z			01
C136	V8221400	Electrolytic Cap. (chip)	120UF 20V			04
C201	UR877470	Electrolytic Cap.	47.00 63.0V			01
C202	WB830700	Electrolytic Cap.	100.00 63.0V			01
C203	WB830700	Electrolytic Cap.	100.00 63.0V			01
C204	V8591600	Mica Capacitor (chip)	470P 100V F			04
C205	V8591600	Mica Capacitor (chip)	470P 100V F			04
C206	UR819100	Electrolytic Cap.	1000 6.3V			01
C207	U5064100	Ceramic Capacitor-B (chip)	0.0100 50V K			01
C208	U5064100	Ceramic Capacitor-B (chip)	0.0100 50V K			01
C209	V8221400	Electrolytic Cap. (chip)	120UF 20V			04
C210	V8221400	Electrolytic Cap. (chip)	120UF 20V			04
C211	V5619000	Electrolytic Cap.-TONEREX	100.00 25.0V			
C212	U5145100	Ceramic Capacitor-F (chip)	0.1000 25V Z			01
C213	U5145100	Ceramic Capacitor-F (chip)	0.1000 25V Z			01
C214	U5064100	Ceramic Capacitor-B (chip)	0.0100 50V K			01
C216	U5062100	Ceramic Capacitor-SL(chip)	100P 50V J			01
C217	U5062100	Ceramic Capacitor-SL(chip)	100P 50V J			01
C219	U5061150	Ceramic Capacitor-CH(chip)	15P 50V J			01
C219	U5064100	Ceramic Capacitor-B (chip)	0.0100 50V K			01
C220	U5064100	Ceramic Capacitor-B (chip)	0.0100 50V K			01
C221	V5619000	Electrolytic Cap.-TONEREX	100.00 25.0V			
C222	U5062330	Ceramic Capacitor-SL(chip)	330P 50V J			01
C223	U5062220	Ceramic Capacitor-SL(chip)	220P 50V J			01
C224	U5064100	Ceramic Capacitor-B (chip)	0.0100 50V K			01
C225	U5064100	Ceramic Capacitor-B (chip)	0.0100 50V K			01
C226	VR329100	Mylar Capacitor (chip)	0.0010 50V J			01
C227	UU147220	Electrolytic Cap.-FW	22.00 25.0V			01
C301	UR877470	Electrolytic Cap.	47.00 63.0V			01
C302	WB830700	Electrolytic Cap.	100.00 63.0V			01
C303	WB830700	Electrolytic Cap.	100.00 63.0V			01
C304	V8591600	Mica Capacitor (chip)	470P 100V F			04
C305	V8591600	Mica Capacitor (chip)	470P 100V F			04
C306	UR819100	Electrolytic Cap.	1000 6.3V			01
C307	U5064100	Ceramic Capacitor-B (chip)	0.0100 50V K			01
C308	U5064100	Ceramic Capacitor-B (chip)	0.0100 50V K			01
C309	V8221400	Electrolytic Cap. (chip)	120UF 20V			04
C310	V8221400	Electrolytic Cap. (chip)	120UF 20V			04
C311	V5619000	Electrolytic Cap.-TONEREX	100.00 25.0V			
C312	U5145100	Ceramic Capacitor-F (chip)	0.1000 25V Z			01
C313	U5145100	Ceramic Capacitor-F (chip)	0.1000 25V Z			01
C314	U5064100	Ceramic Capacitor-B (chip)	0.0100 50V K			01
C316	U5062100	Ceramic Capacitor-SL(chip)	100P 50V J			01
C317	U5062100	Ceramic Capacitor-SL(chip)	100P 50V J			01

*: New Parts

RANK: J apan only

REF NO.	PART NO.	DESCRIPTION	REMARKS	QTY	RANK
C318	US061150	Ceramic Capacitor-CH(chip)	15P 50V J		01
C319	US064100	Ceramic Capacitor-B (chip)	0.0100 50V K		01
C320	US064100	Ceramic Capacitor-B (chip)	0.0100 50V K		01
C321	V5619000	Electrolytic Cap.-TONEREX	100.00 25.0V		
C322	US062330	Ceramic Capacitor-SL(chip)	330P 50V J		01
C323	US062220	Ceramic Capacitor-SL(chip)	220P 50V J		01
C324	US064100	Ceramic Capacitor-B (chip)	0.0100 50V K		01
C325	US064100	Ceramic Capacitor-B (chip)	0.0100 50V K		01
C326	VR329100	Mylar Capacitor (chip)	0.0010 50V J		01
C327	US145100	Ceramic Capacitor-F (chip)	0.1000 25V Z		01
C328	US145100	Ceramic Capacitor-F (chip)	0.1000 25V Z		01
C329	WC617000	Electrolytic Cap. (chip)	22 20V 20SP22		03
C330	US145100	Ceramic Capacitor-F (chip)	0.1000 25V Z		01
C331	WC617000	Electrolytic Cap. (chip)	22 20V 20SP22		03
C332	US135220	Ceramic Capacitor-F (chip)	0.2200 15V Z		01
C333	US145100	Ceramic Capacitor-F (chip)	0.1000 25V Z		01
C334	WC617000	Electrolytic Cap. (chip)	22 20V 20SP22		03
C335	US145100	Ceramic Capacitor-F (chip)	0.1000 25V Z		01
C336	V8221400	Electrolytic Cap. (chip)	120UF 20V		04
C401	UR877470	Electrolytic Cap.	47.00 63.0V		01
C402	WB830700	Electrolytic Cap.	100.00 63.0V		01
C403	WB830700	Electrolytic Cap.	100.00 63.0V		01
C404	V8591600	Mica Capacitor (chip)	470P 100V F		04
C405	V8591600	Mica Capacitor (chip)	470P 100V F		04
C406	UR819100	Electrolytic Cap.	1000 6.3V		01
C407	US064100	Ceramic Capacitor-B (chip)	0.0100 50V K		01
C408	US064100	Ceramic Capacitor-B (chip)	0.0100 50V K		01
C409	V8221400	Electrolytic Cap. (chip)	120UF 20V		04
C410	V8221400	Electrolytic Cap. (chip)	120UF 20V		04
C411	V5619000	Electrolytic Cap.-TONEREX	100.00 25.0V		
C412	US145100	Ceramic Capacitor-F (chip)	0.1000 25V Z		01
C413	US145100	Ceramic Capacitor-F (chip)	0.1000 25V Z		01
C414	US064100	Ceramic Capacitor-B (chip)	0.0100 50V K		01
C416	US062100	Ceramic Capacitor-SL(chip)	100P 50V J		01
C417	US062100	Ceramic Capacitor-SL(chip)	100P 50V J		01
C418	US061150	Ceramic Capacitor-CH(chip)	15P 50V J		01
C419	US064100	Ceramic Capacitor-B (chip)	0.0100 50V K		01
C420	US064100	Ceramic Capacitor-B (chip)	0.0100 50V K		01
C421	V5619000	Electrolytic Cap.-TONEREX	100.00 25.0V		
C422	US062330	Ceramic Capacitor-SL(chip)	330P 50V J		01
C423	US062220	Ceramic Capacitor-SL(chip)	220P 50V J		01
C424	US064100	Ceramic Capacitor-B (chip)	0.0100 50V K		01
C425	US064100	Ceramic Capacitor-B (chip)	0.0100 50V K		01
C426	VR329100	Mylar Capacitor (chip)	0.0010 50V J		01
C427	UU147220	Electrolytic Cap.-FW	22.00 25.0V		01
C501	UR877470	Electrolytic Cap.	47.00 63.0V		01
C502	WB830700	Electrolytic Cap.	100.00 63.0V		01
C503	WB830700	Electrolytic Cap.	100.00 63.0V		01
C504	V8591600	Mica Capacitor (chip)	470P 100V F		04
C505	V8591600	Mica Capacitor (chip)	470P 100V F		04
C506	UR819100	Electrolytic Cap.	1000 6.3V		01
C507	US064100	Ceramic Capacitor-B (chip)	0.0100 50V K		01
C508	US064100	Ceramic Capacitor-B (chip)	0.0100 50V K		01
C509	V8221400	Electrolytic Cap. (chip)	120UF 20V		04
C510	V8221400	Electrolytic Cap. (chip)	120UF 20V		04
C511	V5619000	Electrolytic Cap.-TONEREX	100.00 25.0V		
C512	US145100	Ceramic Capacitor-F (chip)	0.1000 25V Z		01
C513	US145100	Ceramic Capacitor-F (chip)	0.1000 25V Z		01
C514	US064100	Ceramic Capacitor-B (chip)	0.0100 50V K		01
C516	US062100	Ceramic Capacitor-SL(chip)	100P 50V J		01
C517	US062100	Ceramic Capacitor-SL(chip)	100P 50V J		01
C518	US061150	Ceramic Capacitor-CH(chip)	15P 50V J		01
C519	US064100	Ceramic Capacitor-B (chip)	0.0100 50V K		01
C520	US064100	Ceramic Capacitor-B (chip)	0.0100 50V K		01
C521	V5619000	Electrolytic Cap.-TONEREX	100.00 25.0V		
C522	US062330	Ceramic Capacitor-SL(chip)	330P 50V J		01
C523	US062220	Ceramic Capacitor-SL(chip)	220P 50V J		01
C524	US064100	Ceramic Capacitor-B (chip)	0.0100 50V K		01
C525	US064100	Ceramic Capacitor-B (chip)	0.0100 50V K		01
C526	VR329100	Mylar Capacitor (chip)	0.0010 50V J		01

* New Parts

RANK: Japan only

PM5D/PM5D-RH

REF NO.	PART NO.	DESCRIPTION	REMARKS	QTY	RANK
C527	US145100	Ceramic Capacitor-F (chip)	0.1000 25V Z		01
C528	US145100	Ceramic Capacitor-F (chip)	0.1000 25V Z		01
C529	WC617000	Electrolytic Cap. (chip)	22 20V 20SP22		03
C530	US145100	Ceramic Capacitor-F (chip)	0.1000 25V Z		01
C531	WC617000	Electrolytic Cap. (chip)	22 20V 20SP22		03
C532	US135220	Ceramic Capacitor-F (chip)	0.2200 16V Z		01
C533	US145100	Ceramic Capacitor-F (chip)	0.1000 25V Z		01
C534	WC617000	Electrolytic Cap. (chip)	22 20V 20SP22		03
C535	US145100	Ceramic Capacitor-F (chip)	0.1000 25V Z		01
C536	V8221400	Electrolytic Cap. (chip)	120UF 20V		04
C601	UR877470	Electrolytic Cap.	47.00 63.0V		01
C602	WB830700	Electrolytic Cap.	100.00 63.0V		01
C603	WB830700	Electrolytic Cap.	100.00 63.0V		01
C604	V8591600	Mica Capacitor (chip)	470P 100V F		04
C605	V8591600	Mica Capacitor (chip)	470P 100V F		04
C606	UR819100	Electrolytic Cap.	1000 6.3V		01
C607	US064100	Ceramic Capacitor-B (chip)	0.0100 50V K		01
C608	US064100	Ceramic Capacitor-B (chip)	0.0100 50V K		01
C609	V8221400	Electrolytic Cap. (chip)	120UF 20V		04
C610	V8221400	Electrolytic Cap. (chip)	120UF 20V		04
C611	V5619000	Electrolytic Cap.-TONEREX	100.00 25.0V		01
C612	US145100	Ceramic Capacitor-F (chip)	0.1000 25V Z		01
C613	US145100	Ceramic Capacitor-F (chip)	0.1000 25V Z		01
C614	US064100	Ceramic Capacitor-B (chip)	0.0100 50V K		01
C616	US062100	Ceramic Capacitor-SL(chip)	100P 50V J		01
C617	US062100	Ceramic Capacitor-SL(chip)	100P 50V J		01
C618	US061150	Ceramic Capacitor-CH(chip)	15P 50V J		01
C619	US064100	Ceramic Capacitor-B (chip)	0.0100 50V K		01
C620	US064100	Ceramic Capacitor-B (chip)	0.0100 50V K		01
C621	V5619000	Electrolytic Cap.-TONEREX	100.00 25.0V		01
C622	US062330	Ceramic Capacitor-SL(chip)	330P 50V J		01
C623	US062220	Ceramic Capacitor-SL(chip)	220P 50V J		01
C624	US064100	Ceramic Capacitor-B (chip)	0.0100 50V K		01
C625	US064100	Ceramic Capacitor-B (chip)	0.0100 50V K		01
C626	VR329100	Mylar Capacitor (chip)	0.0010 50V J		01
C627	UU147220	Electrolytic Cap.-FW	22.00 25.0V		01
C701	UR877470	Electrolytic Cap.	47.00 63.0V		01
C702	WB830700	Electrolytic Cap.	100.00 63.0V		01
C703	WB830700	Electrolytic Cap.	100.00 63.0V		01
C704	V8591600	Mica Capacitor (chip)	470P 100V F		04
C705	V8591600	Mica Capacitor (chip)	470P 100V F		04
C706	UR819100	Electrolytic Cap.	1000 6.3V		01
C707	US064100	Ceramic Capacitor-B (chip)	0.0100 50V K		01
C708	US064100	Ceramic Capacitor-B (chip)	0.0100 50V K		01
C709	V8221400	Electrolytic Cap. (chip)	120UF 20V		04
C710	V8221400	Electrolytic Cap. (chip)	120UF 20V		04
C711	V5619000	Electrolytic Cap.-TONEREX	100.00 25.0V		01
C712	US145100	Ceramic Capacitor-F (chip)	0.1000 25V Z		01
C713	US145100	Ceramic Capacitor-F (chip)	0.1000 25V Z		01
C714	US064100	Ceramic Capacitor-B (chip)	0.0100 50V K		01
C716	US062100	Ceramic Capacitor-SL(chip)	100P 50V J		01
C717	US062100	Ceramic Capacitor-SL(chip)	100P 50V J		01
C718	US061150	Ceramic Capacitor-CH(chip)	15P 50V J		01
C719	US064100	Ceramic Capacitor-B (chip)	0.0100 50V K		01
C720	US064100	Ceramic Capacitor-B (chip)	0.0100 50V K		01
C721	V5619000	Electrolytic Cap.-TONEREX	100.00 25.0V		01
C722	US062330	Ceramic Capacitor-SL(chip)	330P 50V J		01
C723	US062220	Ceramic Capacitor-SL(chip)	220P 50V J		01
C724	US064100	Ceramic Capacitor-B (chip)	0.0100 50V K		01
C725	US064100	Ceramic Capacitor-B (chip)	0.0100 50V K		01
C726	VR329100	Mylar Capacitor (chip)	0.0010 50V J		01
C727	US145100	Ceramic Capacitor-F (chip)	0.1000 25V Z		01
C728	US145100	Ceramic Capacitor-F (chip)	0.1000 25V Z		01
C729	WC617000	Electrolytic Cap. (chip)	22 20V 20SP22		03
C730	US145100	Ceramic Capacitor-F (chip)	0.1000 25V Z		01
C731	WC617000	Electrolytic Cap. (chip)	22 20V 20SP22		03
C732	US135220	Ceramic Capacitor-F (chip)	0.2200 16V Z		01
C733	US145100	Ceramic Capacitor-F (chip)	0.1000 25V Z		01
C734	WC617000	Electrolytic Cap. (chip)	22 20V 20SP22		03
C735	US145100	Ceramic Capacitor-F (chip)	0.1000 25V Z		01

*: New Parts

RANK: J apan only

REF NO.	PART NO.	DESCRIPTION	REMARKS	QTY	RANK
C736	VB221400	Electrolytic Cap. (chip)	120UF 20V		04
C801	UR877470	Electrolytic Cap.	47.00 63.0V		01
C802	WB830700	Electrolytic Cap.	100.00 63.0V		01
C803	WB830700	Electrolytic Cap.	100.00 63.0V		01
C804	V8591600	Mica Capacitor (chip)	470P 100V F		04
C805	V8591600	Mica Capacitor (chip)	470P 100V F		04
C806	UR819100	Electrolytic Cap.	1000 6.3V		01
C807	US064100	Ceramic Capacitor-B (chip)	0.0100 50V K		01
C808	US064100	Ceramic Capacitor-B (chip)	0.0100 50V K		01
C809	VB221400	Electrolytic Cap. (chip)	120UF 20V		04
C810	VB221400	Electrolytic Cap. (chip)	120UF 20V		04
C811	V5619000	Electrolytic Cap.-TONEREX	100.00 25.0V		01
C812	US145100	Ceramic Capacitor-F (chip)	0.1000 25V Z		01
C813	US145100	Ceramic Capacitor-F (chip)	0.1000 25V Z		01
C814	US064100	Ceramic Capacitor-B (chip)	0.0100 50V K		01
C816	US062100	Ceramic Capacitor-SL(chip)	100P 50V J		01
C817	US062100	Ceramic Capacitor-SL(chip)	100P 50V J		01
C818	US061150	Ceramic Capacitor-CH(chip)	15P 50V J		01
C819	US064100	Ceramic Capacitor-B (chip)	0.0100 50V K		01
C820	US064100	Ceramic Capacitor-B (chip)	0.0100 50V K		01
C821	V5619000	Electrolytic Cap.-TONEREX	100.00 25.0V		01
C822	US062330	Ceramic Capacitor-SL(chip)	330P 50V J		01
C823	US062220	Ceramic Capacitor-SL(chip)	220P 50V J		01
C824	US064100	Ceramic Capacitor-B (chip)	0.0100 50V K		01
C825	US064100	Ceramic Capacitor-B (chip)	0.0100 50V K		01
C826	VR329100	Mylar Capacitor (chip)	0.0010 50V J		01
C827	UU147220	Electrolytic Cap.-FW	22.00 25.0V		01
C900	US145100	Ceramic Capacitor-F (chip)	0.1000 25V Z		01
-928	US145100	Ceramic Capacitor-F (chip)	0.1000 25V Z		01
C936	US145100	Ceramic Capacitor-F (chip)	0.1000 25V Z		01
C937	US145100	Ceramic Capacitor-F (chip)	0.1000 25V Z		01
C956	US145100	Ceramic Capacitor-F (chip)	0.1000 25V Z		01
C957	US145100	Ceramic Capacitor-F (chip)	0.1000 25V Z		01
C962	US145100	Ceramic Capacitor-F (chip)	0.1000 25V Z		01
-974	US145100	Ceramic Capacitor-F (chip)	0.1000 25V Z		01
C980	US145100	Ceramic Capacitor-F (chip)	0.1000 25V Z		01
C981	WA163300	Electrolytic Cap.-HD	220.00 35.0V		01
C982	WA163300	Electrolytic Cap.-HD	220.00 35.0V		01
C983	V7182500	Ceramic Capacitor-F (chip)	0.1000 50V Z		01
C984	V7182500	Ceramic Capacitor-F (chip)	0.1000 50V Z		01
C985	WA163300	Electrolytic Cap.-HD	220.00 35.0V		01
C986	UU168100	Electrolytic Cap.-FW	100.00 50.0V		01
C987	UU168100	Electrolytic Cap.-FW	100.00 50.0V		01
C988	VB221400	Electrolytic Cap. (chip)	120UF 20V		04
C989	UA355100	Mylar Capacitor	0.1000 50V J		01
-991	UA355100	Mylar Capacitor	0.1000 50V J		01
C992	UR838100	Electrolytic Cap.	100.00 16.0V		01
-994	UR838100	Electrolytic Cap.	100.00 16.0V		01
C995	WA163300	Electrolytic Cap.-HD	220.00 35.0V		01
C996	V7182500	Ceramic Capacitor-F (chip)	0.1000 50V Z		01
-999	V7182500	Ceramic Capacitor-F (chip)	0.1000 50V Z		01
CN922	VQ045700	Connector, FFC	52044 28P SE		02
CN961	VQ048100	Connector, FFC	52045 32P TE		01
CN981	VB858800	Connector Base Post	PH 9P SE		01
CN982	VB858700	Connector Base Post	PH 8P SE		01
D051	VT332900	Diode	1SS355 TE-17		01
D101	V5201100	Diode	D1F60		01
-103	V5201100	Diode	D1F60		01
D104	V9634300	Diode	RB551V-30 TE-17		01
-107	V9634300	Diode	RB551V-30 TE-17		01
D201	V5201100	Diode	D1F60		01
-203	V5201100	Diode	D1F60		01
D204	V9634300	Diode	RB551V-30 TE-17		01
-207	V9634300	Diode	RB551V-30 TE-17		01
D301	V5201100	Diode	D1F60		01
-303	V5201100	Diode	D1F60		01
D304	V9634300	Diode	RB551V-30 TE-17		01
-307	V9634300	Diode	RB551V-30 TE-17		01
D401	V5201100	Diode	D1F60		01
-403	V5201100	Diode	D1F60		01

* New Parts

RANK: Japan only

REF NO.	PART NO.	DESCRIPTION		REMARKS	QTY	RANK
D404	V9634300	Diode	RB551V-30 TE-17			01
-407	V9634300	Diode	RB551V-30 TE-17			01
D501	VS201100	Diode	D1F60			01
-503	VS201100	Diode	D1F60			01
D504	V9634300	Diode	RB551V-30 TE-17			01
-507	V9634300	Diode	RB551V-30 TE-17			01
D601	VS201100	Diode	D1F60			01
-603	VS201100	Diode	D1F60			01
D604	V9634300	Diode	RB551V-30 TE-17			01
-607	V9634300	Diode	RB551V-30 TE-17			01
D701	VS201100	Diode	D1F60			01
-703	VS201100	Diode	D1F60			01
D704	V9634300	Diode	RB551V-30 TE-17			01
-707	V9634300	Diode	RB551V-30 TE-17			01
D801	VS201100	Diode	D1F60			01
-803	VS201100	Diode	D1F60			01
D804	V9634300	Diode	RB551V-30 TE-17			01
-807	V9634300	Diode	RB551V-30 TE-17			01
D981	V2330500	Diode	DESS4M			03
D982	V5454300	Diode	1FWJ49N			01
-987	V5454300	Diode	1FWJ49N			01
EM001	WA093400	LC Filter	ZJSR5101-223TA			01
EM051	WA093400	LC Filter	ZJSR5101-223TA			01
EM052	WA093400	LC Filter	ZJSR5101-223TA			01
EM101	GE300610	Ferrite Bead	BL02RN1-R62T4			01
EM102	GE300610	Ferrite Bead	BL02RN1-R62T4			01
EM201	GE300610	Ferrite Bead	BL02RN1-R62T4			01
EM202	GE300610	Ferrite Bead	BL02RN1-R62T4			01
EM301	GE300610	Ferrite Bead	BL02RN1-R62T4			01
EM302	GE300610	Ferrite Bead	BL02RN1-R62T4			01
EM401	GE300610	Ferrite Bead	BL02RN1-R62T4			01
EM402	GE300610	Ferrite Bead	BL02RN1-R62T4			01
EM501	GE300610	Ferrite Bead	BL02RN1-R62T4			01
EM502	GE300610	Ferrite Bead	BL02RN1-R62T4			01
EM601	GE300610	Ferrite Bead	BL02RN1-R62T4			01
EM602	GE300610	Ferrite Bead	BL02RN1-R62T4			01
EM701	GE300610	Ferrite Bead	BL02RN1-R62T4			01
EM702	GE300610	Ferrite Bead	BL02RN1-R62T4			01
EM801	GE300610	Ferrite Bead	BL02RN1-R62T4			01
EM802	GE300610	Ferrite Bead	BL02RN1-R62T4			01
EM901	WA093400	LC Filter	ZJSR5101-223TA			01
EM981	WA093400	LC Filter	ZJSR5101-223TA			01
-988	WA093400	LC Filter	ZJSR5101-223TA			01
IC001	XU797A00	IC	TC74VHC245FT	TRANSCEIVER		03
IC002	XY721A00	IC	HD6437042AF53	CPU V1.00		10
IC003	XW234A00	IC	TC74VHC244FT	BUFFER		03
IC004	XI686A00	IC	M62021FP	SYSTEM RESET		04
IC006	IS007400	IC	HD74LV74AFPEL	D-FF		01
IC007	XY102A00	IC	HD74LVU04AFPEL	INVERTER		01
IC008	XU797A00	IC	TC74VHC245FT	TRANSCEIVER		03
IC009	XU797A00	IC	TC74VHC245FT	TRANSCEIVER		03
IC010	X3859A00	IC	BS62LV256SC-70	SRAM 256K		05
IC011	X3859A00	IC	BS62LV256SC-70	SRAM 256K		05
IC012	IS003200	IC	HD74LV32AFPEL	OR		01
IC013	X5387B00	IC	MBM25F800BA-70PFTN	FLASH ROM 8M		03
IC014	XU797A00	IC	TC74VHC245F1	TRANSCEIVER		03
IC015	XU797A00	IC	TC74VHC245FT	TRANSCEIVER		03
IC016	IS013910	IC	SN74LV139ANSR	DECODER		01
IC017	X3097A00	IC	74LVX4245MTCX	TRANSCEIVER		03
IC018	X3097A00	IC	74LVX4245MTCX	TRANSCEIVER		03
IC019	XR680A00	IC	TC7SH08FU	AND		01
IC020	X5775A00	IC	TC7SH04FU	INVERTER		01
IC051	XT744A00	IC	TC74VHC245AFT	TRANSCEIVER		07
IC052	X3775A00	IC	S1L51252F32S000	PLL2(GATE ARRAY)		08
IC053	X2313A00	IC	TC74VHC00FT	NAND		01
IC054	XW422A00	IC	M51953AFP	SYSTEM RESET		01
IC055	X5775A00	IC	TC7SH04FU	INVERTER		01
IC056	XU797A00	IC	TC74VHC245FT	TRANSCEIVER		03
IC057	XT744A00	IC	TC74VHC245AFT	TRANSCEIVER		07
IC058	XV064A00	IC	TLC2932IPWR	PLL		06

*: New Parts

RANK: Japan only

REF NO.	PART NO.	DESCRIPTION	REMARKS	QTY	RANK	
IC059	XG948E00	IC	YM3436D-FZ		DIR2	11
IC060	X5775A00	IC	TC75SH04FU		INVERTER	01
IC061	XV891A00	IC	TC74VHC08FT		AND	01
IC101	WC069900	Circuit Board	HIC-HA			
IC102	XY879A00	IC	TC74HC4053AF(EL)		MULTIPLEXER	03
IC103	X3505A00	IC	NJM2068MD-TE2		OP AMP	02
IC104	X3505A00	IC	NJM2068MD-TE2		OP AMP	02
IC105	X4662A00	IC	AK5385AVS-E2		ADC	07
IC201	WC069900	Circuit Board	HIC-HA			
IC202	XY879A00	IC	TC74HC4053AF(EL)		MULTIPLEXER	03
IC203	X3505A00	IC	NJM2068MD-TE2		OP AMP	02
IC204	X3505A00	IC	NJM2068MD-TE2		OP AMP	02
IC301	WC069900	Circuit Board	HIC-HA			
IC302	XY879A00	IC	TC74HC4053AF(EL)		MULTIPLEXER	03
IC303	X3505A00	IC	NJM2068MD-TE2		OP AMP	02
IC304	X3505A00	IC	NJM2068MD-TE2		OP AMP	02
IC305	X4662A00	IC	AK5385AVS-E2		ADC	07
IC401	WC069900	Circuit Board	HIC-HA			
IC402	XY879A00	IC	TC74HC4053AF(EL)		MULTIPLEXER	03
IC403	X3505A00	IC	NJM2068MD-TE2		OP AMP	02
IC404	X3505A00	IC	NJM2068MD-TE2		OP AMP	02
IC501	WC069900	Circuit Board	HIC-HA			
IC502	XY879A00	IC	TC74HC4053AF(EL)		MULTIPLEXER	03
IC503	X3505A00	IC	NJM2068MD-TE2		OP AMP	02
IC504	X3505A00	IC	NJM2068MD-TE2		OP AMP	02
IC505	X4662A00	IC	AK5385AVS-E2		ADC	07
IC601	WC069900	Circuit Board	HIC-HA			
IC602	XY879A00	IC	TC74HC4053AF(EL)		MULTIPLEXER	03
IC603	X3505A00	IC	NJM2068MD-TE2		OP AMP	02
IC604	X3505A00	IC	NJM2068MD-TE2		OP AMP	02
IC701	WC069900	Circuit Board	HIC-HA			
IC702	XY879A00	IC	TC74HC4053AF(EL)		MULTIPLEXER	03
IC703	X3505A00	IC	NJM2068MD-TE2		OP AMP	02
IC704	X3505A00	IC	NJM2068MD-TE2		OP AMP	02
IC705	X4662A00	IC	AK5385AVS-E2		ADC	07
IC801	WC069900	Circuit Board	HIC-HA			
IC802	XY879A00	IC	TC74HC4053AF(EL)		MULTIPLEXER	03
IC803	X3505A00	IC	NJM2068MD-TE2		OP AMP	02
IC804	X3505A00	IC	NJM2068MD-TE2		OP AMP	02
IC901	XV891A00	IC	TC74VHC08FT		AND	01
IC902	XZ693B00	IC	Y5S919B-H		BSP7	15
IC921	X3299A00	IC	MBCG61594-130		ATSC2A	11
IC927	XT744A00	IC	TC74VHCT245AFT		TRANSCEIVER	07
IC928	XT744A00	IC	TC74VHCT245AFT		TRANSCEIVER	07
IC930	IS015700	IC	HD74LV157AFPEL		MULTIPLEXER	01
IC931	X5775A00	IC	TC75SH04FU		INVERTER	01
IC962	IS013810	IC	SN74LV138ANSR		DECODER	01
IC963	IS027300	IC	HD74LV273AFPEL		D-FF	02
-968	IS027300	IC	HD74LV273AFPEL		D-FF	02
IC989	X5775A00	IC	TC75SH04FU		INVERTER	01
IC970	IS027300	IC	HD74LV273AFPEL		D-FF	02
IC971	IS027300	IC	HD74LV273AFPEL		D-FF	02
IC981	X3508A00	IC	LM2876SX-5.0		DC-DC CONVERTER	08
IC982	X0638A00	IC	UPC2933AT-E1		REGULATOR +3.3V	03
IC983	X0637A00	IC	UPC2925T-E1		REGULATOR +2.5V	03
IC984	XN086A00	IC	NJM78L05UA TE1		REGULATORH -5V	02
IC985	XR680A00	IC	TC75SH08FU		AND	
JK101	V9234300	Cannon Connector	JACK NC3FBH1		INPUT 1/9/17/25/33/41, ST IN 1 INPUT L	06
JK201	V9234300	Cannon Connector	JACK NC3FBH1		INPUT 2/10/18/26/34/42, ST IN 1 INPUT R	06
JK301	V9234300	Cannon Connector	JACK NC3FBH1		INPUT 3/11/19/27/35/43, ST IN 2 INPUT L	06
JK401	V9234300	Cannon Connector	JACK NC3FBH1		INPUT 4/12/20/28/36/44, ST IN 2 INPUT R	06
JK501	V9234300	Cannon Connector	JACK NC3FBH1		INPUT 5/13/21/29/37/45, ST IN 3 INPUT L	06
JK601	V9234300	Cannon Connector	JACK NC3FBH1		INPUT 6/14/22/30/38/46, ST IN 3 INPUT R	06
JK701	V9234300	Cannon Connector	JACK NC3FBH1		INPUT 7/15/23/31/39/47,	06

* New Parts

RANK: Japan only

REF. NO.	PART NO.	DESCRIPTION	REMARKS	QTY	RANK
JK801	V9234300	Cannon Connector	JACK NC3FBH1		06
L001	GE300610	Ferrite Bead	BL02RN1-R62T4		01
L051	GE300610	Ferrite Bead	BL02RN1-R62T4		01
L052	V7716400	Coil	SSB44-331 330uH		03
L101	GE300610	Ferrite Bead	BL02RN1-R62T4		01
L301	GE300610	Ferrite Bead	BL02RN1-R62T4		01
L501	GE300610	Ferrite Bead	BL02RN1-R62T4		01
L701	GE300610	Ferrite Bead	BL02RN1-R62T4		01
L981	V9224400	Coil	CDRH127-270MC 27uH		03
Q100	VV540200	Transistor	2SB1260 T100 P,Q,R		01
Q101	V7421700	Transistor	2SC3324 GR,BL TE85		01
Q102	VV556400	Transistor	2SC2412K Q,R,S		01
Q103	VV556400	Transistor	2SC2412K Q,R,S		01
Q200	VV540200	Transistor	2SB1260 T100 P,Q,R		01
Q201	V7421700	Transistor	2SC3324 GR,BL TE85		01
Q202	VV556400	Transistor	2SC2412K Q,R,S		01
Q203	VV556400	Transistor	2SC2412K Q,R,S		01
Q300	VV540200	Transistor	2SB1260 T100 P,Q,R		01
Q301	V7421700	Transistor	2SC3324 GR,BL TE85		01
Q302	VV556400	Transistor	2SC2412K Q,R,S		01
Q303	VV556400	Transistor	2SC2412K Q,R,S		01
Q400	VV540200	Transistor	2SB1260 T100 P,Q,R		01
Q401	V7421700	Transistor	2SC3324 GR,BL TE85		01
Q402	VV556400	Transistor	2SC2412K Q,R,S		01
Q403	VV556400	Transistor	2SC2412K Q,R,S		01
Q500	VV540200	Transistor	2SB1260 T100 P,Q,R		01
Q501	V7421700	Transistor	2SC3324 GR,BL TE85		01
Q502	VV556400	Transistor	2SC2412K Q,R,S		01
Q503	VV556400	Transistor	2SC2412K Q,R,S		01
Q600	VV540200	Transistor	2SB1260 T100 P,Q,R		01
Q601	V7421700	Transistor	2SC3324 GR,BL TE85		01
Q602	VV556400	Transistor	2SC2412K Q,R,S		01
Q603	VV556400	Transistor	2SC2412K Q,R,S		01
Q700	VV540200	Transistor	2SB1260 T100 P,Q,R		01
Q701	V7421700	Transistor	2SC3324 GR,BL TE85		01
Q702	VV556400	Transistor	2SC2412K Q,R,S		01
Q703	VV556400	Transistor	2SC2412K Q,R,S		01
Q800	VV540200	Transistor	2SB1260 T100 P,Q,R		01
Q801	V7421700	Transistor	2SC3324 GR,BL TE85		01
Q802	VV556400	Transistor	2SC2412K Q,R,S		01
Q803	VV556400	Transistor	2SC2412K Q,R,S		01
R001	RD357100	Carbon Resistor (chip)	10.0K 63M J		01
R002	RD357100	Carbon Resistor (chip)	10.0K 63M J		01
R003	RD358100	Carbon Resistor (chip)	100.0K 63M J		01
R004	RD358100	Carbon Resistor (chip)	100.0K 63M J		01
R005	RD357470	Carbon Resistor (chip)	47.0K 63M J		01
R006	RD357100	Carbon Resistor (chip)	10.0K 63M J		01
R007	VI194900	Metal Film Resistor (chip)	1.0K 1/10 D		01
-009	VI194900	Metal Film Resistor (chip)	1.0K 1/10 D		01
R010	RD356100	Carbon Resistor (chip)	1.0K 63M J		01
-012	RD356100	Carbon Resistor (chip)	1.0K 63M J		01
R013	RD355200	Carbon Resistor (chip)	200.0 63M J		01
R014	RD357100	Carbon Resistor (chip)	10.0K 63M J		01
R015	RD357100	Carbon Resistor (chip)	10.0K 63M J		01
R017	RD356300	Carbon Resistor (chip)	3.0K 63M J		01
R018	RD355200	Carbon Resistor (chip)	200.0 63M J		01
R019	RD357100	Carbon Resistor (chip)	10.0K 63M J		01
R021	RD355470	Carbon Resistor (chip)	470.0 63M J		01
R022	RD359100	Carbon Resistor (chip)	1.0M 63M J		01
R024	RD357100	Carbon Resistor (chip)	10.0K 63M J		01
R025	RD357100	Carbon Resistor (chip)	10.0K 63M J		01
R051	RD357100	Carbon Resistor (chip)	10.0K 63M J		01
-053	RD357100	Carbon Resistor (chip)	10.0K 63M J		01
R054	RD355100	Carbon Resistor (chip)	100.0 63M J		01
R055	RD350000	Carbon Resistor (chip)	0 63M J		01
R056	RD350000	Carbon Resistor (chip)	0 63M J		01
R057	RD355150	Carbon Resistor (chip)	150.0 63M J		01
R058	RD357100	Carbon Resistor (chip)	10.0K 63M J		01

*: New Parts

RANK: J apan only

REF NO.	PART NO.	DESCRIPTION	REMARKS	QTY	RANK
R059	RD357100	Carbon Resistor (chip)	10.0K 63M J		01
R060	RD356150	Carbon Resistor (chip)	1.5K 63M J		01
R061	RD350000	Carbon Resistor (chip)	0.63M J		01
-080	RD350000	Carbon Resistor (chip)	0.63M J		01
R082	RD350000	Carbon Resistor (chip)	0.63M J		01
-086	RD350000	Carbon Resistor (chip)	0.63M J		01
R087	VI194600	Metal Film Resistor (chip)	750.0 1/10 D		01
R088	VI196100	Metal Film Resistor (chip)	3.3K 1/10 D		01
R089	VI196100	Metal Film Resistor (chip)	3.3K 1/10 D		01
R090	VI193700	Metal Film Resistor (chip)	330.0 1/10 D		01
R091	VI196000	Metal Film Resistor (chip)	3.0K 1/10 D		01
R092	RD350000	Carbon Resistor (chip)	0.63M J		01
R093	RD350000	Carbon Resistor (chip)	0.63M J		01
R094	RD357470	Carbon Resistor (chip)	47.0K 63M J		01
R095	RD350000	Carbon Resistor (chip)	0.63M J		01
-099	RD350000	Carbon Resistor (chip)	0.63M J		01
R101	VC328400	Metal Film Resistor	6.8K 1/4 F		01
R102	VC328400	Metal Film Resistor	6.8K 1/4 F		01
R103	HV755390	Flame Proof C. Resistor	390.0 1/4 J		01
R104	RD258100	Carbon Resistor (chip)	100.0K 0.1 J		01
R105	RD257100	Carbon Resistor (chip)	10.0K 0.1 J		01
R106	WA024800	Metal Film Resistor (chip)	270.0 1/10 D		01
R107	WA025600	Metal Film Resistor (chip)	2.0K 1/10 D		01
R108	WA025600	Metal Film Resistor (chip)	2.0K 1/10 D		01
R109	WA026200	Metal Film Resistor (chip)	4.7K 1/10 D		01
R110	RD254100	Carbon Resistor (chip)	10.0 0.1 J		01
R111	RD254100	Carbon Resistor (chip)	10.0 0.1 J		01
R112	WA028200	Metal Film Resistor (chip)	100.0K 1/10 D		01
R113	WA028200	Metal Film Resistor (chip)	100.0K 1/10 D		01
R114	RD254100	Carbon Resistor (chip)	10.0 0.1 J		01
R115	RD254100	Carbon Resistor (chip)	10.0 0.1 J		01
R116	RD257100	Carbon Resistor (chip)	10.0K 0.1 J		01
R117	RD257100	Carbon Resistor (chip)	10.0K 0.1 J		01
R118	WC286600	Metal Film Resistor (chip)	56.0 1/10 D		01
R119	WA025200	Metal Film Resistor (chip)	1.0K 1/10 D		01
R120	WC286600	Metal Film Resistor (chip)	56.0 1/10 D		01
R121	WA025900	Metal Film Resistor (chip)	2.7K 1/10 D		01
R122	WA449500	Metal Film Resistor (chip)	8.2K 1/10 D		01
R123	WA449500	Metal Film Resistor (chip)	8.2K 1/10 D		01
R124	WA026200	Metal Film Resistor (chip)	4.7K 1/10 D		01
R125	WB830300	Metal Film Resistor (chip)	33.0K 1/10 D		01
R126	RD255100	Carbon Resistor (chip)	100.0 0.1 J		01
R127	WA024500	Metal Film Resistor (chip)	18.0 1/10 D		01
R128	RD258100	Carbon Resistor (chip)	100.0K 0.1 J		01
R129	RD258100	Carbon Resistor (chip)	100.0K 0.1 J		01
R130	WA026800	Metal Film Resistor (chip)	11.0K 1/10 D		01
R131	WB830200	Metal Film Resistor (chip)	1.3K 1/10 D		01
R132	WA025600	Metal Film Resistor (chip)	2.0K 1/10 D		01
R133	WA025600	Metal Film Resistor (chip)	2.0K 1/10 D		01
R134	RD255220	Carbon Resistor (chip)	220.0 0.1 J		01
R135	RD255220	Carbon Resistor (chip)	220.0 0.1 J		01
R136	WA026700	Metal Film Resistor (chip)	10.0K 1/10 D		01
R137	RD255100	Carbon Resistor (chip)	100.0 0.1 J		01
-142	RD255100	Carbon Resistor (chip)	100.0 0.1 J		01
R148	RD157390	Carbon Resistor (chip)	39.0K 1/4 J		01
R149	RD257240	Carbon Resistor (chip)	24.0K 0.1 J		01
R201	VC328400	Metal Film Resistor	6.8K 1/4 F		01
R202	VC328400	Metal Film Resistor	6.8K 1/4 F		01
R203	HV755390	Flame Proof C. Resistor	390.0 1/4 J		01
R204	RD258100	Carbon Resistor (chip)	100.0K 0.1 J		01
R205	RD257100	Carbon Resistor (chip)	10.0K 0.1 J		01
R206	WA024800	Metal Film Resistor (chip)	270.0 1/10 D		01
R207	WA025600	Metal Film Resistor (chip)	2.0K 1/10 D		01
R208	WA025600	Metal Film Resistor (chip)	2.0K 1/10 D		01
R209	WA026200	Metal Film Resistor (chip)	4.7K 1/10 D		01
R210	RD254100	Carbon Resistor (chip)	10.0 0.1 J		01
R211	RD254100	Carbon Resistor (chip)	10.0 0.1 J		01
R212	WA028200	Metal Film Resistor (chip)	100.0K 1/10 D		01
R213	WA028200	Metal Film Resistor (chip)	100.0K 1/10 D		01
R214	RD254100	Carbon Resistor (chip)	10.0 0.1 J		01

* New Parts

RANK: Japan only

PM5D/PM5D-RH

REF NO.	PART NO.	DESCRIPTION	REMARKS	QTY	RANK
R215	RD254100	Carbon Resistor (chip)	10.0 0.1 J		01
R216	RD257100	Carbon Resistor (chip)	10.0K 0.1 J		01
R217	RD257100	Carbon Resistor (chip)	10.0K 0.1 J		01
R218	WC286600	Metal Film Resistor (chip)	56.0 1/10 D		01
R219	WA025200	Metal Film Resistor (chip)	1.0K 1/10 D		01
R220	WC286600	Metal Film Resistor (chip)	56.0 1/10 D		01
R221	WA025900	Metal Film Resistor (chip)	2.7K 1/10 D		01
R222	WA449500	Metal Film Resistor (chip)	8.2K 1/10 D		01
R223	WA449500	Metal Film Resistor (chip)	8.2K 1/10 D		01
R224	WA026200	Metal Film Resistor (chip)	4.7K 1/10 D		01
R225	WB830300	Metal Film Resistor (chip)	33.0K 1/10 D		01
R226	RD255100	Carbon Resistor (chip)	100.0 0.1 J		01
R227	WA024500	Metal Film Resistor (chip)	18.0 1/10 D		01
R228	RD258100	Carbon Resistor (chip)	100.0K 0.1 J		01
R229	RD258100	Carbon Resistor (chip)	100.0K 0.1 J		01
R230	WA026800	Metal Film Resistor (chip)	11.0K 1/10 D		01
R231	WB830200	Metal Film Resistor (chip)	1.3K 1/10 D		01
R232	WA025600	Metal Film Resistor (chip)	2.0K 1/10 D		01
R233	WA025600	Metal Film Resistor (chip)	2.0K 1/10 D		01
R234	RD255220	Carbon Resistor (chip)	220.0 0.1 J		01
R235	RD255220	Carbon Resistor (chip)	220.0 0.1 J		01
R236	WA026700	Metal Film Resistor (chip)	10.0K 1/10 D		01
R248	RD157390	Carbon Resistor (chip)	39.0K 1/4 J		01
R249	RD257240	Carbon Resistor (chip)	24.0K 0.1 J		01
R301	VC328400	Metal Film Resistor	6.8K 1/4 F		01
R302	VC328400	Metal Film Resistor	6.8K 1/4 F		01
R303	HV755390	Flame Proof C. Resistor	390.0 1/4 J		01
R304	RD258100	Carbon Resistor (chip)	100.0K 0.1 J		01
R305	RD257100	Carbon Resistor (chip)	10.0K 0.1 J		01
R306	WA024800	Metal Film Resistor (chip)	270.0 1/10 D		01
R307	WA025600	Metal Film Resistor (chip)	2.0K 1/10 D		01
R308	WA025600	Metal Film Resistor (chip)	2.0K 1/10 D		01
R309	WA026200	Metal Film Resistor (chip)	4.7K 1/10 D		01
R310	RD254100	Carbon Resistor (chip)	10.0 0.1 J		01
R311	RD254100	Carbon Resistor (chip)	10.0 0.1 J		01
R312	WA028200	Metal Film Resistor (chip)	100.0K 1/10 D		01
R313	WA028200	Metal Film Resistor (chip)	100.0K 1/10 D		01
R314	RD254100	Carbon Resistor (chip)	10.0 0.1 J		01
R315	RD254100	Carbon Resistor (chip)	10.0 0.1 J		01
R318	RD257100	Carbon Resistor (chip)	10.0K 0.1 J		01
R317	RD257100	Carbon Resistor (chip)	10.0K 0.1 J		01
R318	WC286600	Metal Film Resistor (chip)	56.0 1/10 D		01
R319	WA025200	Metal Film Resistor (chip)	1.0K 1/10 D		01
R320	WC286600	Metal Film Resistor (chip)	56.0 1/10 D		01
R321	WA025900	Metal Film Resistor (chip)	2.7K 1/10 D		01
R322	WA449500	Metal Film Resistor (chip)	8.2K 1/10 D		01
R323	WA449500	Metal Film Resistor (chip)	8.2K 1/10 D		01
R324	WA026200	Metal Film Resistor (chip)	4.7K 1/10 D		01
R325	WB830300	Metal Film Resistor (chip)	33.0K 1/10 D		01
R326	RD255100	Carbon Resistor (chip)	100.0 0.1 J		01
R327	WA024500	Metal Film Resistor (chip)	18.0 1/10 D		01
R328	RD258100	Carbon Resistor (chip)	100.0K 0.1 J		01
R329	RD258100	Carbon Resistor (chip)	100.0K 0.1 J		01
R330	WA026800	Metal Film Resistor (chip)	11.0K 1/10 D		01
R331	WB830200	Metal Film Resistor (chip)	1.3K 1/10 D		01
R332	WA025600	Metal Film Resistor (chip)	2.0K 1/10 D		01
R333	WA025600	Metal Film Resistor (chip)	2.0K 1/10 D		01
R334	RD255220	Carbon Resistor (chip)	220.0 0.1 J		01
R335	RD255220	Carbon Resistor (chip)	220.0 0.1 J		01
R336	WA026700	Metal Film Resistor (chip)	10.0K 1/10 D		01
R337	RD255100	Carbon Resistor (chip)	100.0 0.1 J		01
-342	RD255100	Carbon Resistor (chip)	100.0 0.1 J		01
R348	RD157390	Carbon Resistor (chip)	39.0K 1/4 J		01
R349	RD257240	Carbon Resistor (chip)	24.0K 0.1 J		01
R401	VC328400	Metal Film Resistor	6.8K 1/4 F		01
R402	VC328400	Metal Film Resistor	6.8K 1/4 F		01
R403	HV755390	Flame Proof C. Resistor	390.0 1/4 J		01
R404	RD258100	Carbon Resistor (chip)	100.0K 0.1 J		01
R405	RD257100	Carbon Resistor (chip)	10.0K 0.1 J		01
R406	WA024800	Metal Film Resistor (chip)	270.0 1/10 D		01

*: New Parts

RANK: Japan only

REF NO.	PART NO.	DESCRIPTION	REMARKS	QTY	RANK
R407	WA025600	Metal Film Resistor (chip)	2.0K 1/10 D		01
R408	WA025600	Metal Film Resistor (chip)	2.0K 1/10 D		01
R409	WA026200	Metal Film Resistor (chip)	4.7K 1/10 D		01
R410	RD254100	Carbon Resistor (chip)	10.0 0.1 J		01
R411	RD254100	Carbon Resistor (chip)	10.0 0.1 J		01
R412	WA028200	Metal Film Resistor (chip)	100.0K 1/10 D		01
R413	WA028200	Metal Film Resistor (chip)	100.0K 1/10 D		01
R414	RD254100	Carbon Resistor (chip)	10.0 0.1 J		01
R415	RD254100	Carbon Resistor (chip)	10.0 0.1 J		01
R416	RD257100	Carbon Resistor (chip)	10.0K 0.1 J		01
R417	RD257100	Carbon Resistor (chip)	10.0K 0.1 J		01
R418	WC286600	Metal Film Resistor (chip)	56.0 1/10 D		01
R419	WA025200	Metal Film Resistor (chip)	1.0K 1/10 D		01
R420	WC286600	Metal Film Resistor (chip)	56.0 1/10 D		01
R421	WA025900	Metal Film Resistor (chip)	2.7K 1/10 D		01
R422	WA449500	Metal Film Resistor (chip)	8.2K 1/10 D		01
R423	WA449500	Metal Film Resistor (chip)	8.2K 1/10 D		01
R424	WA026200	Metal Film Resistor (chip)	4.7K 1/10 D		01
R425	WB830300	Metal Film Resistor (chip)	33.0K 1/10 D		01
R426	RD255100	Carbon Resistor (chip)	100.0 0.1 J		01
R427	WA024500	Metal Film Resistor (chip)	18.0 1/10 D		01
R428	RD258100	Carbon Resistor (chip)	100.0K 0.1 J		01
R429	RD258100	Carbon Resistor (chip)	100.0K 0.1 J		01
R430	WA026800	Metal Film Resistor (chip)	11.0K 1/10 D		01
R431	WB830200	Metal Film Resistor (chip)	1.3K 1/10 D		01
R432	WA025600	Metal Film Resistor (chip)	2.0K 1/10 D		01
R433	WA025600	Metal Film Resistor (chip)	2.0K 1/10 D		01
R434	RD255220	Carbon Resistor (chip)	220.0 0.1 J		01
R435	RD255220	Carbon Resistor (chip)	220.0 0.1 J		01
R436	WA026700	Metal Film Resistor (chip)	10.0K 1/10 D		01
R440	RD157390	Carbon Resistor (chip)	39.0K 1/4 J		01
R449	RD257240	Carbon Resistor (chip)	24.0K 0.1 J		01
R501	VC328400	Metal Film Resistor	6.8K 1/4 F		01
R502	VC328400	Metal Film Resistor	6.8K 1/4 F		01
R503	HV755390	Flame Proof C. Resistor	390.0 1/4 J		01
R504	RD256100	Carbon Resistor (chip)	100.0K 0.1 J		01
R505	RD257100	Carbon Resistor (chip)	10.0K 0.1 J		01
R506	WA024800	Metal Film Resistor (chip)	270.0 1/10 D		01
R507	WA025600	Metal Film Resistor (chip)	2.0K 1/10 D		01
R508	WA025600	Metal Film Resistor (chip)	2.0K 1/10 D		01
R509	WA026200	Metal Film Resistor (chip)	4.7K 1/10 D		01
R510	RD254100	Carbon Resistor (chip)	10.0 0.1 J		01
R511	RD254100	Carbon Resistor (chip)	10.0 0.1 J		01
R512	WA028200	Metal Film Resistor (chip)	100.0K 1/10 D		01
R513	WA028200	Metal Film Resistor (chip)	100.0K 1/10 D		01
R514	RD254100	Carbon Resistor (chip)	10.0 0.1 J		01
R515	RD254100	Carbon Resistor (chip)	10.0 0.1 J		01
R516	RD257100	Carbon Resistor (chip)	10.0K 0.1 J		01
R517	RD257100	Carbon Resistor (chip)	10.0K 0.1 J		01
R518	WC286600	Metal Film Resistor (chip)	56.0 1/10 D		01
R519	WA025200	Metal Film Resistor (chip)	1.0K 1/10 D		01
R520	WC286600	Metal Film Resistor (chip)	56.0 1/10 D		01
R521	WA025900	Metal Film Resistor (chip)	2.7K 1/10 D		01
R522	WA449500	Metal Film Resistor (chip)	8.2K 1/10 D		01
R523	WA449500	Metal Film Resistor (chip)	8.2K 1/10 D		01
R524	WA026200	Metal Film Resistor (chip)	4.7K 1/10 D		01
R525	WB830300	Metal Film Resistor (chip)	33.0K 1/10 D		01
R526	RD255100	Carbon Resistor (chip)	100.0 0.1 J		01
R527	WA024500	Metal Film Resistor (chip)	18.0 1/10 D		01
R528	RD258100	Carbon Resistor (chip)	100.0K 0.1 J		01
R529	RD258100	Carbon Resistor (chip)	100.0K 0.1 J		01
R530	WA026800	Metal Film Resistor (chip)	11.0K 1/10 D		01
R531	WB830200	Metal Film Resistor (chip)	1.3K 1/10 D		01
R532	WA025600	Metal Film Resistor (chip)	2.0K 1/10 D		01
R533	WA025600	Metal Film Resistor (chip)	2.0K 1/10 D		01
R534	RD255220	Carbon Resistor (chip)	220.0 0.1 J		01
R535	RD255220	Carbon Resistor (chip)	220.0 0.1 J		01
R536	WA026700	Metal Film Resistor (chip)	10.0K 1/10 D		01
R537	RD255100	Carbon Resistor (chip)	100.0 0.1 J		01
-542	RD255100	Carbon Resistor (chip)	100.0 0.1 J		01

* New Parts

RANK: Japan only

PM5D/PM5D-RH

REF NO.	PART NO.	DESCRIPTION	REMARKS	QTY	RANK
R548	RD157390	Carbon Resistor (chip)	39.0K 1/4 J		01
R549	RD257240	Carbon Resistor (chip)	24.0K 0.1 J		01
R601	VC328400	Metal Film Resistor	6.8K 1/4 F		01
R602	VC328400	Metal Film Resistor	6.8K 1/4 F		01
R603	HV755390	Flame Proof C. Resistor	390.0 1/4 J		01
R604	RD258100	Carbon Resistor (chip)	100.0K 0.1 J		01
R605	RD257100	Carbon Resistor (chip)	10.0K 0.1 J		01
R606	WA024800	Metal Film Resistor (chip)	270.0 1/10 D		01
R607	WA025600	Metal Film Resistor (chip)	2.0K 1/10 D		01
R608	WA025600	Metal Film Resistor (chip)	2.0K 1/10 D		01
R609	WA026200	Metal Film Resistor (chip)	4.7K 1/10 D		01
R610	RD254100	Carbon Resistor (chip)	10.0 0.1 J		01
R611	RD254100	Carbon Resistor (chip)	10.0 0.1 J		01
R612	WA028200	Metal Film Resistor (chip)	100.0K 1/10 D		01
R613	WA028200	Metal Film Resistor (chip)	100.0K 1/10 D		01
R614	RD254100	Carbon Resistor (chip)	10.0 0.1 J		01
R615	RD254100	Carbon Resistor (chip)	10.0 0.1 J		01
R616	RD257100	Carbon Resistor (chip)	10.0K 0.1 J		01
R617	RD257100	Carbon Resistor (chip)	10.0K 0.1 J		01
R618	WC286600	Metal Film Resistor (chip)	56.0 1/10 D		01
R619	WA025200	Metal Film Resistor (chip)	1.0K 1/10 D		01
R620	WC286600	Metal Film Resistor (chip)	56.0 1/10 D		01
R621	WA025900	Metal Film Resistor (chip)	2.7K 1/10 D		01
R622	WA449500	Metal Film Resistor (chip)	8.2K 1/10 D		01
R623	WA449500	Metal Film Resistor (chip)	8.2K 1/10 D		01
R624	WA026200	Metal Film Resistor (chip)	4.7K 1/10 D		01
R625	WB830300	Metal Film Resistor (chip)	33.0K 1/10 D		01
R626	RD255100	Carbon Resistor (chip)	100.0 0.1 J		01
R627	WA024500	Metal Film Resistor (chip)	18.0 1/10 D		01
R628	RD258100	Carbon Resistor (chip)	100.0K 0.1 J		01
R629	RD258100	Carbon Resistor (chip)	100.0K 0.1 J		01
R630	WA026800	Metal Film Resistor (chip)	11.0K 1/10 D		01
R631	WB830200	Metal Film Resistor (chip)	1.3K 1/10 D		01
R632	WA025600	Metal Film Resistor (chip)	2.0K 1/10 D		01
R633	WA025600	Metal Film Resistor (chip)	2.0K 1/10 D		01
R634	RD255220	Carbon Resistor (chip)	220.0 0.1 J		01
R635	RD255220	Carbon Resistor (chip)	220.0 0.1 J		01
R636	WA026700	Metal Film Resistor (chip)	10.0K 1/10 D		01
R648	RD157390	Carbon Resistor (chip)	39.0K 1/4 J		01
R649	RD257240	Carbon Resistor (chip)	24.0K 0.1 J		01
R701	VC328400	Metal Film Resistor	6.8K 1/4 F		01
R702	VC328400	Metal Film Resistor	6.8K 1/4 F		01
R703	HV755390	Flame Proof C. Resistor	390.0 1/4 J		01
R704	RD258100	Carbon Resistor (chip)	100.0K 0.1 J		01
R705	RD257100	Carbon Resistor (chip)	10.0K 0.1 J		01
R706	WA024800	Metal Film Resistor (chip)	270.0 1/10 D		01
R707	WA025600	Metal Film Resistor (chip)	2.0K 1/10 D		01
R708	WA025600	Metal Film Resistor (chip)	2.0K 1/10 D		01
R709	WA026200	Metal Film Resistor (chip)	4.7K 1/10 D		01
R710	RD254100	Carbon Resistor (chip)	10.0 0.1 J		01
R711	RD254100	Carbon Resistor (chip)	10.0 0.1 J		01
R712	WA028200	Metal Film Resistor (chip)	100.0K 1/10 D		01
R713	WA028200	Metal Film Resistor (chip)	100.0K 1/10 D		01
R714	RD254100	Carbon Resistor (chip)	10.0 0.1 J		01
R715	RD254100	Carbon Resistor (chip)	10.0 0.1 J		01
R716	RD257100	Carbon Resistor (chip)	10.0K 0.1 J		01
R717	RD257100	Carbon Resistor (chip)	10.0K 0.1 J		01
R718	WC286600	Metal Film Resistor (chip)	56.0 1/10 D		01
R719	WA025200	Metal Film Resistor (chip)	1.0K 1/10 D		01
R720	WC286600	Metal Film Resistor (chip)	56.0 1/10 D		01
R721	WA025900	Metal Film Resistor (chip)	2.7K 1/10 D		01
R722	WA449500	Metal Film Resistor (chip)	8.2K 1/10 D		01
R723	WA449500	Metal Film Resistor (chip)	8.2K 1/10 D		01
R724	WA026200	Metal Film Resistor (chip)	4.7K 1/10 D		01
R725	WB830300	Metal Film Resistor (chip)	33.0K 1/10 D		01
R726	RD255100	Carbon Resistor (chip)	100.0 0.1 J		01
R727	WA024500	Metal Film Resistor (chip)	18.0 1/10 D		01
R728	RD258100	Carbon Resistor (chip)	100.0K 0.1 J		01
R729	RD258100	Carbon Resistor (chip)	100.0K 0.1 J		01
R730	WA026800	Metal Film Resistor (chip)	11.0K 1/10 D		01

*: New Parts

RANK: Japan only

REF NO.	PART NO.	DESCRIPTION	REMARKS	QTY	RANK
R731	WB830200	Metal Film Resistor (chip)	1.3K 1/10 D		01
R732	WA025600	Metal Film Resistor (chip)	2.0K 1/10 D		01
R733	WA025600	Metal Film Resistor (chip)	2.0K 1/10 D		01
R734	RD255220	Carbon Resistor (chip)	220.0 0.1 J		01
R735	RD255220	Carbon Resistor (chip)	220.0 0.1 J		01
R736	WA026700	Metal Film Resistor (chip)	10.0K 1/10 D		01
R737	RD255100	Carbon Resistor (chip)	100.0 0.1 J		01
-742	RD255100	Carbon Resistor (chip)	100.0 0.1 J		01
R748	RD157390	Carbon Resistor (chip)	39.0K 1/4 J		01
R749	RD257240	Carbon Resistor (chip)	24.0K 0.1 J		01
R801	VC328400	Metal Film Resistor	6.8K 1/4 F		01
R802	VC328400	Metal Film Resistor	6.8K 1/4 F		01
R803	HV755390	Flame Proof C. Resistor	390.0 1/4 J		01
R804	RD258100	Carbon Resistor (chip)	100.0K 0.1 J		01
R805	RD257100	Carbon Resistor (chip)	10.0K 0.1 J		01
R806	WA024800	Metal Film Resistor (chip)	270.0 1/10 D		01
R807	WA025600	Metal Film Resistor (chip)	2.0K 1/10 D		01
R808	WA025600	Metal Film Resistor (chip)	2.0K 1/10 D		01
R809	WA026200	Metal Film Resistor (chip)	4.7K 1/10 D		01
R810	RD254100	Carbon Resistor (chip)	10.0 0.1 J		01
R811	RD254100	Carbon Resistor (chip)	10.0 0.1 J		01
R812	WA028200	Metal Film Resistor (chip)	100.0K 1/10 D		01
R813	WA028200	Metal Film Resistor (chip)	100.0K 1/10 D		01
R814	RD254100	Carbon Resistor (chip)	10.0 0.1 J		01
R815	RD254100	Carbon Resistor (chip)	10.0 0.1 J		01
R816	RD257100	Carbon Resistor (chip)	10.0K 0.1 J		01
R817	RD257100	Carbon Resistor (chip)	10.0K 0.1 J		01
R818	WC286600	Metal Film Resistor (chip)	56.0 1/10 D		01
R819	WA025200	Metal Film Resistor (chip)	1.0K 1/10 D		01
R820	WC286600	Metal Film Resistor (chip)	56.0 1/10 D		01
R821	WA025900	Metal Film Resistor (chip)	2.7K 1/10 D		01
R822	WA449500	Metal Film Resistor (chip)	8.2K 1/10 D		01
R823	WA449500	Metal Film Resistor (chip)	8.2K 1/10 D		01
R824	WA026200	Metal Film Resistor (chip)	4.7K 1/10 D		01
R825	WB830300	Metal Film Resistor (chip)	33.0K 1/10 D		01
R826	RD255100	Carbon Resistor (chip)	100.0 0.1 J		01
R827	WA024500	Metal Film Resistor (chip)	18.0 1/10 D		01
R828	RD258100	Carbon Resistor (chip)	100.0K 0.1 J		01
R829	RD258100	Carbon Resistor (chip)	100.0K 0.1 J		01
R830	WA026800	Metal Film Resistor (chip)	11.0K 1/10 D		01
R831	WB830200	Metal Film Resistor (chip)	1.3K 1/10 D		01
R832	WA025600	Metal Film Resistor (chip)	2.0K 1/10 D		01
R833	WA025600	Metal Film Resistor (chip)	2.0K 1/10 D		01
R834	RD255220	Carbon Resistor (chip)	220.0 0.1 J		01
R835	RD255220	Carbon Resistor (chip)	220.0 0.1 J		01
R836	WA026700	Metal Film Resistor (chip)	10.0K 1/10 D		01
R848	RD157390	Carbon Resistor (chip)	39.0K 1/4 J		01
R849	RD257240	Carbon Resistor (chip)	24.0K 0.1 J		01
R901	RD350000	Carbon Resistor (chip)	0.63M J		01
R902	RD357100	Carbon Resistor (chip)	10.0K 63M J		01
R918	RD350000	Carbon Resistor (chip)	0.63M J		01
-920	RD350000	Carbon Resistor (chip)	0.63M J		01
R923	RD357100	Carbon Resistor (chip)	10.0K 63M J		01
R942	RD354680	Carbon Resistor (chip)	68.0 63M J		01
-945	RD354680	Carbon Resistor (chip)	68.0 63M J		01
R948	RD350000	Carbon Resistor (chip)	0.63M J		01
R949	RD354470	Carbon Resistor (chip)	47.0 63M J		01
R953	RD350000	Carbon Resistor (chip)	0.63M J		01
R954	RD350000	Carbon Resistor (chip)	0.63M J		01
R955	RD354470	Carbon Resistor (chip)	47.0 63M J		01
R956	RD357100	Carbon Resistor (chip)	10.0K 63M J		01
R957	RD357470	Carbon Resistor (chip)	47.0K 63M J		01
-960	RD357470	Carbon Resistor (chip)	47.0K 63M J		01
R961	RD150000	Carbon Resistor (chip)	0.0 1/4 J		01
R962	VI194300	Metal Film Resistor (chip)	560.0 1/10 D		01
R961	RD356470	Carbon Resistor (chip)	4.7K 63M J		01
-964	RD356470	Carbon Resistor (chip)	4.7K 63M J		01
R985	RD357470	Carbon Resistor (chip)	47.0K 63M J		01
R999	RD350000	Carbon Resistor (chip)	0.63M J		01
RA001	RE047100	Resistor Array	10KX4		01

* New Parts

RANK: Japan only

PM5D/PM5D-RH

REF NO.	PART NO.	DESCRIPTION		REMARKS	QTY	RANK
-023	RE047100	Resistor Array	10KX4			01
RY101	VU685600	Relay	DC NA- 5 W-K			06
RY102	VU685600	Relay	DC NA- 5 W-K			06
RY201	VU685600	Relay	DC NA- 5 W-K			06
RY202	VU685600	Relay	DC NA- 5 W-K			06
RY301	VU685600	Relay	DC NA- 5 W-K			06
RY302	VU685600	Relay	DC NA- 5 W-K			06
RY401	VU685600	Relay	DC NA- 5 W-K			06
RY402	VU685600	Relay	DC NA- 5 W-K			06
RY501	VU685600	Relay	DC NA- 5 W-K			06
RY502	VU685600	Relay	DC NA- 5 W-K			06
RY801	VU685600	Relay	DC NA- 5 W-K			06
RY802	VU685600	Relay	DC NA- 5 W-K			06
RY701	VU685600	Relay	DC NA- 5 W-K			06
RY702	VU685600	Relay	DC NA- 5 W-K			06
RY801	VU685600	Relay	DC NA- 5 W-K			06
RY802	VU685600	Relay	DC NA- 5 W-K			06
TA963	X5127A00	IC	TB62707F(EL)	LED DRIVER		05
TA962	V9615500	Transistor Array	TD62783AF(EL)			
TA963	V9615500	Transistor Array	TU62783AF(EL)			
VR101	WC948000	Trimmer Potentiometer	B 500 3P PV36Y			03
VR201	WC948000	Trimmer Potentiometer	B 500 3P PV36Y			03
VR301	WC948000	Trimmer Potentiometer	B 500 3P PV36Y			03
VR401	WC948000	Trimmer Potentiometer	B 500 3P PV36Y			03
VR501	WC948000	Trimmer Potentiometer	B 500 3P PV36Y			03
VR601	WC948000	Trimmer Potentiometer	B 500 3P PV36Y			03
VR701	WC948000	Trimmer Potentiometer	B 500 3P PV36Y			03
VR801	WC948000	Trimmer Potentiometer	B 500 3P PV36Y			03
X001	VL907400	Quartz Crystal Unit	19.8608MHz AT-51			04
X051	V8904500	Quartz Crystal Unit	49.152MHz DSO7515B			
X052	V8904400	Quartz Crystal Unit	45.1504MHz DSO7615B			
X901	VZ156100	Quartz Crystal Unit	60MHz DSO751S			06
	WC069900	Circuit Board	HIC-HA	PM5D-RH(WC06320)(X4876B0)		
C101	US062220	Ceramic Capacitor-SL(chip)	220P 50V J			01
-103	US062220	Ceramic Capacitor-SL(chip)	220P 50V J			01
C104	US062100	Ceramic Capacitor-SL(chip)	100P 50V J			01
-106	US062100	Ceramic Capacitor-SL(chip)	100P 50V J			01
C107	V8591500	Mica Capacitor (chip)	68P 100V F			03
C108	V8591500	Mica Capacitor (chip)	68P 100V F			03
C109	US064100	Ceramic Capacitor-B (chip)	0.0100 50V K			01
-112	US064100	Ceramic Capacitor-B (chip)	0.0100 50V K			01
C113	US062100	Ceramic Capacitor-SL(chip)	100P 50V J			01
C114	US062100	Ceramic Capacitor-SL(chip)	100P 50V J			01
CN101	WB991600	Base Post Connector	A4B 13P SE			03
D101	VV556300	Diode Array	DAN217 0.3A X2			01
-103	VV556300	Diode Array	DAN217 0.3A X2			01
IC101	X3505A00	IC	NJM2068MD-TE2	OP AMP		02
IC102	X3505A00	IC	NJM2068MD-TE2	OP AMP		02
Q101	V8603000	Transistor	2SA1312 BL			01
Q102	V8603000	Transistor	2SA1312 BL			01
Q103	VV010500	Pair Transistor	1MT1A			01
Q104	VV556500	Transistor	2SA1037AK Q,R,S			01
R101	V8591800	Metal Film Resistor (chip)	100.0K 1/10 B			01
R102	V8591800	Metal Film Resistor (chip)	100.0K 1/10 B			01
R103	WA024300	Metal Film Resistor (chip)	10.0 1/10 D			01
R104	WA024300	Metal Film Resistor (chip)	10.0 1/10 D			01
R105	WA024800	Metal Film Resistor (chip)	270.0 1/10 D			01
-107	WA024800	Metal Film Resistor (chip)	270.0 1/10 D			01
R108	WA025700	Metal Film Resistor (chip)	2.2K 1/10 D			01
R109	WA027700	Metal Film Resistor (chip)	27.0K 1/10 D			01
R110	WA025700	Metal Film Resistor (chip)	2.2K 1/10 D			01
R111	WA025700	Metal Film Resistor (chip)	2.2K 1/10 D			01
R112	V8591700	Metal Film Resistor (chip)	10.0K 1/10 B			01
R113	V8591700	Metal Film Resistor (chip)	10.0K 1/10 B			01
R114	WA027900	Metal Film Resistor (chip)	39.0K 1/10 D			01
R115	WA027000	Metal Film Resistor (chip)	13.0K 1/10 D			01
R116	V8591700	Metal Film Resistor (chip)	10.0K 1/10 B			01
R117	WA025700	Metal Film Resistor (chip)	2.2K 1/10 D			01
R118	WA025700	Metal Film Resistor (chip)	2.2K 1/10 D			01

*: New Parts

RANK: Japan only

REF NO.	PART NO.	DESCRIPTION		REMARKS	QTY	RANK
R119	RD254390	Carbon Resistor (chip)	39.0 0.1 J			01
	WA770100	Circuit Board	ANI1	PM5D (WB43480)(XZ032C0)		
	V6435700	Holder, Phone	x3			02
	VA078900	Jumper Wire	0.55	(VA07890)		
C100	UR877470	Electrolytic Cap.	47.00 63.0V			01
C101	VJ 097400	Electrolytic Cap.-KL	10.00 50.0V			01
C102	VJ 097400	Electrolytic Cap.-KL	10.00 50.0V			01
C103	VG278400	Ceramic Capacitor-B	220P 50V K			01
C104	VG278400	Ceramic Capacitor-B	220P 50V K			01
C105	VF467000	Ceramic Capacitor-B	1000P 50V K			01
C106	VF467000	Ceramic Capacitor-B	1000P 50V K			01
C107	UR819100	Electrolytic Cap.	1000 6.3V			01
C108	VF466600	Ceramic Capacitor-SL	10F 50V J			01
C109	VF466600	Ceramic Capacitor-SL	10F 50V J			01
C110	VG278400	Ceramic Capacitor-B	220P 50V K			01
C111	VG276600	Ceramic Capacitor-SL	22F 50V J			01
C112	VG276600	Ceramic Capacitor-SL	22P 50V J			01
C113	VF466800	Ceramic Capacitor-B	100P 50V K			01
C114	V8221400	Electrolytic Cap. (chip)	120UF 20V			04
C115	V8221400	Electrolytic Cap. (chip)	120UF 20V			04
C116	UU168100	Electrolytic Cap.-FW	100.00 50.0V			01
C117	UU168100	Electrolytic Cap.-FW	100.00 50.0V			01
C118	VG276600	Ceramic Capacitor-SL	22F 50V J			01
C119	VG276600	Ceramic Capacitor-SL	22F 50V J			01
C120	UU167100	Electrolytic Cap.-FW	10.00 50.0V			01
C121	UU167100	Electrolytic Cap.-FW	10.00 50.0V			01
C122	VF466800	Ceramic Capacitor-B	100P 50V K			01
-124	VF466800	Ceramic Capacitor-B	100P 50V K			01
C125	UU147470	Electrolytic Cap.-FW	47.00 25.0V			01
C127	UR867100	Electrolytic Cap.	10.00 50.0V			01
C128	UA654470	Mylar Capacitor	0.0470 50V J			01
C129	UA654470	Mylar Capacitor	0.0470 50V J			01
C130	UR867100	Electrolytic Cap.	10.00 50.0V			01
C131	VT439600	Monolithic Ceramic Cap.	0.100 50V Z			01
-138	VT439600	Monolithic Ceramic Cap.	0.100 50V Z			01
C139	UU147470	Electrolytic Cap.-FW	47.00 25.0V			01
C140	V5619000	Electrolytic Cap.-TONEREX	100.00 25.0V			01
C141	V5619000	Electrolytic Cap.-TONEREX	100.00 25.0V			01
CN100	VB994900	Base Post Connector	MQ 9P TE			01
D100	VD631600	Diode	1SS133,176,HSS104			01
-102	VD631600	Diode	1SS133,176,HSS104			01
EM100	VI243100	LC Filter	DSS6NB32A271Q93A			01
-105	VI243100	LC Filter	DSS6NB32A271Q93A			01
IC100	XM356A00	IC	NUM2068L-D	OP AMP		02
IC101	XP844A00	IC	NUM4556AL	OP AMP		02
IC102	XM356A00	IC	NUM2068L-D	OP AMP		02
IC103	XM356A00	IC	NUM2068L-D	OP AMP		02
JK100	V8910800	Cannon Connector	JACK NC3FBHR1	INPUT 1-48		06
JK102	V5056300	Phone Jack	JACK HLJ7001-01	INSERT OUT 1-48		01
JK103	LB301920	Phone Jack	ST JACK HLJ4306	INSERT IN 1-48		02
LD100	WC883600	LED Red	TLSU126(NP)	PEAK 1-48		01
LD101	WC883700	LED Green	TLGE50T(ST)	SIGNAL 1-48		01
R100	VP441000	Metal Film Resistor	6.8K 1/4 F			01
R101	VP441000	Metal Film Resistor	6.8K 1/4 F			01
R102	HV755390	Flame Proof C. Resistor	390.0 1/4 J			01
R103	HF458100	Carbon Resistor	100.0K 1/4 J			01
R104	HF454100	Carbon Resistor	10.0 1/4 J			01
R105	HF454100	Carbon Resistor	10.0 1/4 J			01
R106	VP443000	Metal Film Resistor	47.0K 1/4 F			01
R107	VP443000	Metal Film Resistor	47.0K 1/4 F			01
R108	VP437400	Metal Film Resistor	220.0 1/4 F			01
R109	VP439700	Metal Film Resistor	2.0K 1/4 F			01
R110	VP439700	Metal Film Resistor	2.0K 1/4 F			01
R111	VP440600	Metal Film Resistor	4.7K 1/4 F			01
R112	HF454100	Carbon Resistor	10.0 1/4 J			01
R113	HF454100	Carbon Resistor	10.0 1/4 J			01
R114	VP439800	Metal Film Resistor	2.2K 1/4 F			01
R115	VP439800	Metal Film Resistor	2.2K 1/4 F			01
R116	VP434800	Metal Film Resistor	18.0 1/4 F			01

* New Parts

RANK: Japan only

PM5D/PM5D-RH

REF NO.	PART NO.	DESCRIPTION		REMARKS	QTY	RANK
R117	VP442200	Metal Film Resistor	22.0K 1/4 F			01
R118	VP440900	Metal Film Resistor	6.2K 1/4 F			01
R119	VP440900	Metal Film Resistor	6.2K 1/4 F			01
R120	VP442200	Metal Film Resistor	22.0K 1/4 F			01
R121	VP441400	Metal Film Resistor	10.0K 1/4 F			01
R122	VP441400	Metal Film Resistor	10.0K 1/4 F			01
R123	HF454390	Carbon Resistor	39.0 1/4 J			01
R124	HF458100	Carbon Resistor	100.0K 1/4 J			01
-126	HF458100	Carbon Resistor	100.0K 1/4 J			01
R127	HF454750	Carbon Resistor	75.0 1/4 J			01
R128	HF454750	Carbon Resistor	75.0 1/4 J			01
R129	HB027160	Metal Film Resistor	16.0K 1/4 F			01
R130	HB027160	Metal Film Resistor	16.0K 1/4 F			01
R131	HB027180	Metal Film Resistor	18.0K 1/4 F			01
R132	HB027180	Metal Film Resistor	18.0K 1/4 F			01
R133	V9008100	Metal Film Resistor	11.5K 1/4 D			01
R134	HB027100	Metal Film Resistor	10.0K 1/4 F			01
-136	HB027100	Metal Film Resistor	10.0K 1/4 F			01
R137	HF458100	Carbon Resistor	100.0K 1/4 J			01
-139	HF458100	Carbon Resistor	100.0K 1/4 J			01
R140	HB027150	Metal Film Resistor	15.0K 1/4 F			01
R141	HB027150	Metal Film Resistor	15.0K 1/4 F			01
R142	HB026910	Metal Film Resistor	9.1K 1/4 F			01
R145	HB026910	Metal Film Resistor	9.1K 1/4 F			01
R146	HF454390	Carbon Resistor	39.0 1/4 J			01
R147	HF458100	Carbon Resistor	100.0K 1/4 J			01
R148	HB028100	Metal Film Resistor	100.0K 1/4 F			01
R149	HB027510	Metal Film Resistor	51.0K 1/4 F			01
R150	HB027100	Metal Film Resistor	10.0K 1/4 F			01
R151	HB027620	Metal Film Resistor	82.0K 1/4 F			01
R152	HB028100	Metal Film Resistor	100.0K 1/4 F			01
R153	HB027130	Metal Film Resistor	13.0K 1/4 F			01
R154	HB028100	Metal Film Resistor	100.0K 1/4 F			01
R155	HB028100	Metal Film Resistor	100.0K 1/4 F			01
R156	HF458100	Carbon Resistor	100.0K 1/4 J			01
R157	HF458100	Carbon Resistor	100.0K 1/4 J			01
R158	HF456470	Carbon Resistor	4.7K 1/4 J			01
R159	HF456470	Carbon Resistor	4.7K 1/4 J			01
R160	HF458100	Carbon Resistor	100.0K 1/4 J			01
-163	HF458100	Carbon Resistor	100.0K 1/4 J			01
R164	HF454750	Carbon Resistor	75.0 1/4 J			01
R165	HF457120	Carbon Resistor	12.0K 1/4 J			01
R166	HV755390	Flame Proof C. Resistor	390.0 1/4 J			01
R167	HV755390	Flame Proof C. Resistor	390.0 1/4 J			01
R168	HB027470	Metal Film Resistor	47.0K 1/4 F			01
R169	HB027100	Metal Film Resistor	10.0K 1/4 F			01
* SP100	WD039600	LED Spacer	LA-5-4			01
* SP101	WD039600	LED Spacer	LA-5-4			01
SW100	VQ907900	Slide Switch	SSSU112-S08N-1	±48V ON/OFF 1-48		01
SW101	VQ901900	Push Switch	SPUN19-2N-W H6.5	PAD 26dB 1-48		03
SW102	VQ901900	Push Switch	SPUN19-2N-W H6.5	INSERT ON/OFF 1-48		03
TR100	IC224030	Transistor	2SC2240 GR,BL			01
TR101	IC224030	Transistor	2SC2240 GR,BL			01
TR102	IC174020	Transistor	2SC1740S R,S			01
TR103	IC174020	Transistor	2SC1740S R,S			01
TR104	VV912400	Transistor	2SA933ASTP R,S			01
-107	VV912400	Transistor	2SA933ASTP R,S			01
TR108	IC174020	Transistor	2SC1740S R,S			01
VR100	VT975100	Rotary Variable Resistor	5K	GAIN 1-48		04
* WA770200		Circuit Board	AN12 (AN12)	PM5D (WB17580)(X4164B0)		01
* WB452300		Circuit Board	LED (AN12)	PM5D (WB17580)(X4164B0)		01
--		Jumper Wire	0.55	(VA07890)		01
C101	VJ097400	Electrolytic Cap.-KL	10.00 50.0V			01
C102	VJ097400	Electrolytic Cap.-KL	10.00 50.0V			01
C103	VG278400	Ceramic Capacitor-B	220P 50V K			01
C104	VG278400	Ceramic Capacitor-B	220P 50V K			01
C105	VF467000	Ceramic Capacitor-B	1000P 50V K			01
C106	VF467000	Ceramic Capacitor-B	1000P 50V K			01
C107	UR819100	Electrolytic Cap.	1000 6.3V			01

*: New Parts

RANK: J apan only

REF NO.	PART NO.	DESCRIPTION	REMARKS	QTY	NAME
C108	VF466600	Ceramic Capacitor-SL	10P 50V J		01
C109	VF466600	Ceramic Capacitor-SL	10P 50V J		01
C110	VG278400	Ceramic Capacitor-B	220P 50V K		01
C111	VG276600	Ceramic Capacitor-SL	22P 50V J		01
C112	VG276600	Ceramic Capacitor-SL	22P 50V J		01
C113	UR867100	Electrolytic Cap.	10.00 50.0V		01
C114	UA654470	Mylar Capacitor	0.0470 50V J		01
C115	UA654470	Mylar Capacitor	0.0470 50V J		01
C116	UR867100	Electrolytic Cap.	10.00 50.0V		01
C117	UU147470	Electrolytic Cap.-FW	47.00 25.0V		01
C118	VT439600	Monolithic Ceramic Cap.	0.100 50V Z		01
C119	VT439600	Monolithic Ceramic Cap.	0.100 50V Z		01
C120	V5619000	Electrolytic Cap.-TONEREX	100.00 25.0V		01
C121	V5619000	Electrolytic Cap.-TONEREX	100.00 25.0V		01
C122	VT439600	Monolithic Ceramic Cap.	0.100 50V Z		01
C123	VT439600	Monolithic Ceramic Cap.	0.100 50V Z		01
C124	VF466600	Ceramic Capacitor-SL	10P 50V J		01
C125	V8221400	Electrolytic Cap. (chip)	120UF 20V		04
C126	V8221400	Electrolytic Cap. (chip)	120UF 20V		04
C201	VJ 097400	Electrolytic Cap.-KL	10.00 50.0V		01
C202	VJ 097400	Electrolytic Cap.-KL	10.00 50.0V		01
C203	VG278400	Ceramic Capacitor-B	220P 50V K		01
C204	VG278400	Ceramic Capacitor-B	220P 50V K		01
C205	VF467000	Ceramic Capacitor-B	1000P 50V K		01
C206	VF467000	Ceramic Capacitor-B	1000P 50V K		01
C207	UR819100	Electrolytic Cap.	1000 6.3V		01
C208	VF466600	Ceramic Capacitor-SL	10P 50V J		01
C209	VF466600	Ceramic Capacitor-SL	10P 50V J		01
C210	VG278400	Ceramic Capacitor-B	220P 50V K		01
C211	VG276600	Ceramic Capacitor-SL	22P 50V J		01
C212	VG276600	Ceramic Capacitor-SL	22P 50V J		01
C213	UR867100	Electrolytic Cap.	10.00 50.0V		01
C214	UA654470	Mylar Capacitor	0.0470 50V J		01
C215	UA654470	Mylar Capacitor	0.0470 50V J		01
C217	UU147470	Electrolytic Cap.-FW	47.00 25.0V		01
C218	VT439600	Monolithic Ceramic Cap.	0.100 50V Z		01
C219	VT439600	Monolithic Ceramic Cap.	0.100 50V Z		01
C220	V5619000	Electrolytic Cap.-TONEREX	100.00 25.0V		01
C221	V5619000	Electrolytic Cap.-TONEREX	100.00 25.0V		01
C222	VT439600	Monolithic Ceramic Cap.	0.100 50V Z		01
C223	VT439600	Monolithic Ceramic Cap.	0.100 50V Z		01
C224	VF466600	Ceramic Capacitor-SL	10P 50V J		01
CN100	VB994900	Base Post Connector	MQ 9P TE		01
CN201	VL844700	Base Post Connector	XH 3P TE		01
CN202	VN555800	Socket	JQ 3P TE		01
D100	VD631600	Diode	ISS133,176,HSS104		01
D200	VD631600	Diode	ISS133,176,HSS104		01
-202	VD631600	Diode	ISS133,176,HSS104		01
EM100	VI243100	LC Filter	DSS6NB32A271Q93A		01
EM101	VI243100	LC Filter	DSS6NB32A271Q93A		01
EM200	VI243100	LC Filter	DSS6NB32A271Q93A		01
EM201	VI243100	LC Filter	DSS6NB32A271Q93A		01
IC100	XM356A00	IC	NJM2068L-D	OP AMP	02
IC101	XM356A00	IC	NJM2068L-D	OP AMP	02
IC200	XM356A00	IC	NJM2068L-D	OP AMP	02
IC201	XM356A00	IC	NJM2068L-D	OP AMP	02
JK100	V8910800	Cannon Connector	JACK NC3FBHR1	INPUT L ST IN 1-4	06
JK200	V8910800	Cannon Connector	JACK NC3FBHR1	INPUT R ST IN 1-4	06
LD100	WC883600	LED Red	TLSU126(NP)	PEAK ST IN 1-4	01
LD101	WC883700	LED Green	TLGE50T(ST)	SIGNAL ST IN 1-4	01
LD200	WC883600	LED Red	TLSU126(NP)	PEAK ST IN 1-4	01
LD201	WC883700	LED Green	TLGE50T(ST)	SIGNAL ST IN 1-4	01
R100	VP439600	Metal Film Resistor	1.8K 1/4 F		01
R101	VP439600	Metal Film Resistor	1.8K 1/4 F		01
R103	VP437800	Metal Film Resistor	330.0 1/4 F		01
R104	HF454100	Carbon Resistor	10.0 1/4 J		01
R105	HF454100	Carbon Resistor	10.0 1/4 J		01
R106	VP443000	Metal Film Resistor	47.0K 1/4 F		01
R107	VP443000	Metal Film Resistor	47.0K 1/4 F		01
R108	HF454100	Carbon Resistor	10.0 1/4 J		01

* New Parts

RANK: Japan only

PM5D/PM5D-RH

REF NO.	PART NO.	DESCRIPTION	REMARKS	QTY	RANK
R109	HF454100	Carbon Resistor	10.0 1/4 J		01
R110	VP439800	Metal Film Resistor	2.2K 1/4 F		01
R111	VP439800	Metal Film Resistor	2.2K 1/4 F		01
R114	VP434700	Metal Film Resistor	16.0 1/4 F		01
R115	VP441200	Metal Film Resistor	8.2K 1/4 F		01
R116	VP441200	Metal Film Resistor	8.2K 1/4 F		01
R119	VP441400	Metal Film Resistor	10.0K 1/4 F		01
-122	VP441400	Metal Film Resistor	10.0K 1/4 F		01
R123	HF454390	Carbon Resistor	39.0 1/4 J		01
R124	HB028100	Metal Film Resistor	100.0K 1/4 F		01
R125	HB027620	Metal Film Resistor	62.0K 1/4 F		01
R126	HB027470	Metal Film Resistor	47.0K 1/4 F		01
R127	HB027820	Metal Film Resistor	82.0K 1/4 F		01
R128	HB027130	Metal Film Resistor	13.0K 1/4 F		01
R129	HB027100	Metal Film Resistor	10.0K 1/4 F		01
R130	HB028100	Metal Film Resistor	100.0K 1/4 F		01
R131	HB027100	Metal Film Resistor	10.0K 1/4 F		01
R132	HB028100	Metal Film Resistor	100.0K 1/4 F		01
R133	HB028100	Metal Film Resistor	100.0K 1/4 F		01
R134	HF458100	Carbon Resistor	100.0K 1/4 J		01
R135	HF458100	Carbon Resistor	100.0K 1/4 J		01
R136	HF456470	Carbon Resistor	4.7K 1/4 J		01
R137	HF456470	Carbon Resistor	4.7K 1/4 J		01
R138	HF458100	Carbon Resistor	100.0K 1/4 J		01
-141	HF458100	Carbon Resistor	100.0K 1/4 J		01
R144	HF458100	Carbon Resistor	100.0K 1/4 J		01
R145	HV755390	Flame Proof C. Resistor	390.0 1/4 J		01
R146	HV755390	Flame Proof C. Resistor	390.0 1/4 J		01
R200	VP439600	Metal Film Resistor	1.8K 1/4 F		01
R201	VP439600	Metal Film Resistor	1.8K 1/4 F		01
R203	VP437800	Metal Film Resistor	350.0 1/4 F		01
R204	HF454100	Carbon Resistor	10.0 1/4 J		01
R205	HF454100	Carbon Resistor	10.0 1/4 J		01
R206	VP443000	Metal Film Resistor	47.0K 1/4 F		01
R207	VP443000	Metal Film Resistor	47.0K 1/4 F		01
R208	HF454100	Carbon Resistor	10.0 1/4 J		01
R209	HF454100	Carbon Resistor	10.0 1/4 J		01
R210	VP439800	Metal Film Resistor	2.2K 1/4 F		01
R211	VP439800	Metal Film Resistor	2.2K 1/4 F		01
R214	VP434700	Metal Film Resistor	16.0 1/4 F		01
R215	VP441200	Metal Film Resistor	8.2K 1/4 F		01
R216	VP441200	Metal Film Resistor	8.2K 1/4 F		01
R219	VP441400	Metal Film Resistor	10.0K 1/4 F		01
-222	VP441400	Metal Film Resistor	10.0K 1/4 F		01
R223	HF454390	Carbon Resistor	39.0 1/4 J		01
R224	HB028100	Metal Film Resistor	100.0K 1/4 F		01
R225	HB027620	Metal Film Resistor	62.0K 1/4 F		01
R226	HB027470	Metal Film Resistor	47.0K 1/4 F		01
R227	HB027820	Metal Film Resistor	82.0K 1/4 F		01
R228	HB027130	Metal Film Resistor	13.0K 1/4 F		01
R229	HB027100	Metal Film Resistor	10.0K 1/4 F		01
R230	HB028100	Metal Film Resistor	100.0K 1/4 F		01
R231	HB027100	Metal Film Resistor	10.0K 1/4 F		01
R232	HB028100	Metal Film Resistor	100.0K 1/4 F		01
R233	HB028100	Metal Film Resistor	100.0K 1/4 F		01
R234	HF458100	Carbon Resistor	100.0K 1/4 J		01
R235	HF458100	Carbon Resistor	100.0K 1/4 J		01
R236	HF456470	Carbon Resistor	4.7K 1/4 J		01
R237	HF456470	Carbon Resistor	4.7K 1/4 J		01
R238	HF458100	Carbon Resistor	100.0K 1/4 J		01
-241	HF458100	Carbon Resistor	100.0K 1/4 J		01
R242	HF454750	Carbon Resistor	75.0 1/4 J		01
R243	HF457120	Carbon Resistor	12.0K 1/4 J		01
R244	HF458100	Carbon Resistor	100.0K 1/4 J		01
SP100	WC310200	LED Spacer	LA-5-2		01
SP101	WC310200	LED Spacer	LA-5-2		01
SP200	WC310200	LED Spacer	LA-5-2		01
SP201	WC310200	LED Spacer	LA-5-2		01
TR100	IC224030	Transistor	2SC2240 GR,BL		01
TR101	IC224030	Transistor	2SC2240 GR,BL		01

*: New Parts

RANK: Japan only

REF NO.	PART NO.	DESCRIPTION	REMARKS	QTY	RANK
TR102	IC 174020	Transistor	2SC1740S R,S		01
TR103	IC 174020	Transistor	2SC1740S R,S		01
TR104	VV912400	Transistor	2SA933ASTP R,S		01
-107	VV912400	Transistor	2SA933ASTP R,S		01
TR200	IC 224030	Transistor	2SC2240 GR,BL		01
TR201	IC 224030	Transistor	2SC2240 GR,BL		01
TR202	IC 174020	Transistor	2SC1740S R,S		01
TR203	IC 174020	Transistor	2SC1740S R,S		01
TR204	VV912400	Transistor	2SA933ASTP R,S		01
-207	VV912400	Transistor	2SA933ASTP R,S		01
TR208	IC 174020	Transistor	2SC1740S R,S		01
VR100	VT975100	Rotary Variable Resistor	5K	GAIN L ST IN 1-4	04
VR200	VT975100	Rotary Variable Resistor	5K	GAIN R ST IN 1-4	04
	WA770300	Circuit Board	ANG	(X4158C0)	
C001	US145100	Ceramic Capacitor-F (chip)	0.1000 25V Z		01
C002	V5829200	Electrolytic Cap. (chip)	100 20V 20SG100M-T		04
C003	V5829200	Electrolytic Cap. (chip)	100 20V 20SG100M-T		04
C004	V5829300	Electrolytic Cap. (chip)	100 16V 16SG100M-T		04
C005	V5829300	Electrolytic Cap. (chip)	100 16V 16SG100M-T		04
C006	V5829200	Electrolytic Cap. (chip)	100 20V 20SG100M-T		04
C007	V5829200	Electrolytic Cap. (chip)	100 20V 20SG100M-T		04
C008	US145100	Ceramic Capacitor-F (chip)	0.1000 25V Z		01
C100	UU167100	Electrolytic Cap.-FW	10.00 50.0V		01
-103	UU167100	Electrolytic Cap.-FW	10.00 50.0V		01
C104	US062100	Ceramic Capacitor-SL(chip)	100P 50V J		01
-109	US062100	Ceramic Capacitor-SL(chip)	100P 50V J		01
C110	UU147470	Electrolytic Cap.-FW	47.00 25.0V		01
C111	UU147470	Electrolytic Cap.-FW	47.00 25.0V		01
C112	US062220	Ceramic Capacitor-SL(chip)	220P 50V J		01
-115	US062220	Ceramic Capacitor-SL(chip)	220P 50V J		01
C116	UA353220	Mylar Capacitor	2200P 50V J		01
C117	UA353220	Mylar Capacitor	2200P 50V J		01
C118	UU147220	Electrolytic Cap.-FW	22.00 25.0V		01
C119	US145100	Ceramic Capacitor-F (chip)	0.1000 25V Z		01
C120	WC617000	Electrolytic Cap. (chip)	22 20V 20SP22		03
C121	US145100	Ceramic Capacitor-F (chip)	0.1000 25V Z		01
C122	US135220	Ceramic Capacitor-F (chip)	0.2200 16V Z		01
C123	WC214000	Electrolytic Cap. (chip)	10 25V 25SP10		03
C124	US135220	Ceramic Capacitor-F (chip)	0.2200 16V Z		01
C125	WC214000	Electrolytic Cap. (chip)	10 25V 25SP10		03
C126	US145100	Ceramic Capacitor-F (chip)	0.1000 25V Z		01
C127	US145100	Ceramic Capacitor-F (chip)	0.1000 25V Z		01
C128	WC214000	Electrolytic Cap. (chip)	10 25V 25SP10		03
C129	US145100	Ceramic Capacitor-F (chip)	0.1000 25V Z		01
C130	US064100	Ceramic Capacitor-B (chip)	0.0100 50V K		01
-135	US064100	Ceramic Capacitor-B (chip)	0.0100 50V K		01
C200	UU167100	Electrolytic Cap.-FW	10.00 50.0V		01
-203	UU167100	Electrolytic Cap.-FW	10.00 50.0V		01
C204	US062100	Ceramic Capacitor-SL(chip)	100P 50V J		01
-209	US062100	Ceramic Capacitor-SL(chip)	100P 50V J		01
C210	UU147470	Electrolytic Cap.-FW	47.00 25.0V		01
C211	UU147470	Electrolytic Cap.-FW	47.00 25.0V		01
C212	US062220	Ceramic Capacitor-SL(chip)	220P 50V J		01
-215	US062220	Ceramic Capacitor-SL(chip)	220P 50V J		01
C216	UA353220	Mylar Capacitor	2200P 50V J		01
C217	UA353220	Mylar Capacitor	2200P 50V J		01
C218	UU147220	Electrolytic Cap.-FW	22.00 25.0V		01
C219	US145100	Ceramic Capacitor-F (chip)	0.1000 25V Z		01
C220	WC617000	Electrolytic Cap. (chip)	22 20V 20SP22		03
C221	US145100	Ceramic Capacitor-F (chip)	0.1000 25V Z		01
C222	US135220	Ceramic Capacitor-F (chip)	0.2200 16V Z		01
C223	WC214000	Electrolytic Cap. (chip)	10 25V 25SP10		03
C224	US135220	Ceramic Capacitor-F (chip)	0.2200 16V Z		01
C225	WC214000	Electrolytic Cap. (chip)	10 25V 25SP10		03
C226	US145100	Ceramic Capacitor-F (chip)	0.1000 25V Z		01
C227	US145100	Ceramic Capacitor-F (chip)	0.1000 25V Z		01
C228	WC214000	Electrolytic Cap. (chip)	10 25V 25SP10		03
C229	US145100	Ceramic Capacitor-F (chip)	0.1000 25V Z		01
C230	US064100	Ceramic Capacitor-B (chip)	0.0100 50V K		01

* New Parts

RANK: Japan only

PM5D/PM5D-RH

REF NO.	PART NO.	DESCRIPTION		REMARKS	QTY	RANK
-235	US064100	Ceramic Capacitor-B (chip)	0.0100 50V K			01
CN001	VK025700	Wire Trap	52147 13P TE			01
CN002	VB390800	Connector Base Post	PH 12P TE			01
D100	V9634300	Diode	RB551V-30 TE-17			01
-107	V9634300	Diode	RB551V-30 TE-17			01
D200	V9634300	Diode	RB551V-30 TE-17			01
-207	V9634300	Diode	RB551V-30 TE-17			01
EM001	VD542700	LC Filter	DSS6NF31C223O93A			01
-004	VD542700	LC Filter	DSS6NF31C223O93A			01
EM100	VI243100	LC Filter	DSS6NB32A271O93A			01
-103	VI243100	LC Filter	DSS6NB32A271O93A			01
EM200	VI243100	LC Filter	DSS6NB32A271O93A			01
-203	VI243100	LC Filter	DSS6NB32A271O93A			01
IC001	XD838A00	IC	SN74HC245NSR	TRANSCEIVER		04
IC002	XM182A00	IC	TC7504F	INVERTER		01
IC100	XF291A00	IC	UPC4570G2	OP AMP		03
-102	XF291A00	IC	UPC4570G2	OP AMP		03
IC103	XZ298A00	IC	AK5393VS-E2	ADC		12
IC200	XF291A00	IC	UPC4570G2	OP AMP		03
-202	XF291A00	IC	UPC4570G2	OP AMP		03
IC203	XZ298A00	IC	AK5393VS-E2	ADC		12
JK100	V9234300	Cannon Connector	JACK NC3FBH1	2TR IN ANALOG 1 L		06
JK101	V9234300	Cannon Connector	JACK NC3FBH1	2TR IN ANALOG 1 R		06
JK200	V9234300	Cannon Connector	JACK NC3FBH1	2TR IN ANALOG 2 L		06
JK201	V9234300	Cannon Connector	JACK NC3FBH1	2TR IN ANALOG 2 R		06
R100	HF458100	Carbon Resistor	100.0K 1/4 J			01
-103	HF458100	Carbon Resistor	100.0K 1/4 J			01
R106	HB027160	Metal Film Resistor	16.0K 1/4 F			01
-109	HB027160	Metal Film Resistor	16.0K 1/4 F			01
R110	HB027100	Metal Film Resistor	10.0K 1/4 F			01
-113	HB027100	Metal Film Resistor	10.0K 1/4 F			01
R114	HF454390	Carbon Resistor	39.0 1/4 J			01
R115	HF454390	Carbon Resistor	39.0 1/4 J			01
R116	HF458100	Carbon Resistor	100.0K 1/4 J			01
R117	HF458100	Carbon Resistor	100.0K 1/4 J			01
R118	HB027200	Metal Film Resistor	20.0K 1/4 F			01
-121	HB027200	Metal Film Resistor	20.0K 1/4 F			01
R123	HB026220	Metal Film Resistor	2.2K 1/4 F			01
R125	HB026220	Metal Film Resistor	2.2K 1/4 F			01
-129	HB026220	Metal Film Resistor	2.2K 1/4 F			01
R130	HB026270	Metal Film Resistor	2.7K 1/4 F			01
R131	HB027110	Metal Film Resistor	11.0K 1/4 F			01
R132	HB026270	Metal Film Resistor	2.7K 1/4 F			01
R133	HF454470	Carbon Resistor	47.0 1/4 J			01
-136	HF454470	Carbon Resistor	47.0 1/4 J			01
R137	RD255100	Carbon Resistor (chip)	100.0 0.1 J			01
-142	RD255100	Carbon Resistor (chip)	100.0 0.1 J			01
R200	HF458100	Carbon Resistor	100.0K 1/4 J			01
-203	HF458100	Carbon Resistor	100.0K 1/4 J			01
R206	HB027160	Metal Film Resistor	16.0K 1/4 F			01
-209	HB027160	Metal Film Resistor	16.0K 1/4 F			01
R210	HB027100	Metal Film Resistor	10.0K 1/4 F			01
-213	HB027100	Metal Film Resistor	10.0K 1/4 F			01
R214	HF454390	Carbon Resistor	39.0 1/4 J			01
R215	HF454390	Carbon Resistor	39.0 1/4 J			01
R216	HF458100	Carbon Resistor	100.0K 1/4 J			01
R217	HF458100	Carbon Resistor	100.0K 1/4 J			01
R218	HB027200	Metal Film Resistor	20.0K 1/4 F			01
-221	HB027200	Metal Film Resistor	20.0K 1/4 F			01
R223	HB026220	Metal Film Resistor	2.2K 1/4 F			01
R225	HB026220	Metal Film Resistor	2.2K 1/4 F			01
-229	HB026220	Metal Film Resistor	2.2K 1/4 F			01
R230	HB026270	Metal Film Resistor	2.7K 1/4 F			01
R231	HB027110	Metal Film Resistor	11.0K 1/4 F			01
R232	HB026270	Metal Film Resistor	2.7K 1/4 F			01
R233	HF454470	Carbon Resistor	47.0 1/4 J			01
-236	HF454470	Carbon Resistor	47.0 1/4 J			01
R237	RD255100	Carbon Resistor (chip)	100.0 0.1 J			01
-242	RD255100	Carbon Resistor (chip)	100.0 0.1 J			01
SW100	KA401270	Slide Switch	SSS2x2	+18dB ← +24dB		03

*: New Parts

RANK: Japan only

REF NO.	PART NO.	DESCRIPTION		REMARKS	QTY	RANK
SW101	KA401270	Slide Switch	SSS212	+18dB ↔ +24dB		03
SW200	KA401270	Slide Switch	SSS212	+18dB ↔ +24dB		03
SW201	KA401270	Slide Switch	SSS212	+18dB ↔ +24dB		03
*	WA829200	Circuit Board	BRG1 (BRCOM)	(WC21950)(X4613B0)		
*	WB804700	Circuit Board	BRG5 (BRCOM)	(WC21950)(X4613B0)		
	EG330290	Bind Head Screw	SP 3.0X8 MFZN2Y		4	01
C201	V7182500	Ceramic Capacitor-F (chip)	0.1000 50V Z			01
C202	WD379300	Electrolytic Cap.-TONEREX	2200 35.0V			
C203	WD379300	Electrolytic Cap.-TONEREX	2200 35.0V			
C301	UR848470	Electrolytic Cap.	470.00 25.0V			01
C302	UB215100	Monolithic Ceramic Cap.	B 0.100 25V K			01
C501	WA163300	Electrolytic Cap.-HD	220.00 35.0V			01
-512	WA163300	Electrolytic Cap.-HD	220.00 35.0V			01
C513	V7182500	Ceramic Capacitor-F (chip)	0.1000 50V Z			01
-524	V7182500	Ceramic Capacitor-F (chip)	0.1000 50V Z			01
C525	WA163100	Electrolytic Cap.-HC	220.00 35.0V			01
-530	WA163100	Electrolytic Cap.-HC	220.00 35.0V			01
C531	US063150	Ceramic Capacitor-B (chip)	1500P 50V K			01
-536	US063150	Ceramic Capacitor-B (chip)	1500P 50V K			01
C637	V7182500	Ceramic Capacitor-F (chip)	0.1000 50V Z			01
C538	UB445470	Monolithic Ceramic Cap.	F 0.470 16V Z			01
C539	V7182500	Ceramic Capacitor-F (chip)	0.1000 50V Z			01
C540	UB445470	Monolithic Ceramic Cap.	F 0.470 16V Z			01
C541	V7182500	Ceramic Capacitor-F (chip)	0.1000 50V Z			01
C542	UB445470	Monolithic Ceramic Cap.	F 0.470 16V Z			01
C543	V7182500	Ceramic Capacitor-F (chip)	0.1000 50V Z			01
C544	UB445470	Monolithic Ceramic Cap.	F 0.470 16V Z			01
C545	V7182500	Ceramic Capacitor-F (chip)	0.1000 50V Z			01
C546	UB445470	Monolithic Ceramic Cap.	F 0.470 16V Z			01
C547	V7182500	Ceramic Capacitor-F (chip)	0.1000 50V Z			01
C548	UB445470	Monolithic Ceramic Cap.	F 0.470 16V Z			01
C601	WA163300	Electrolytic Cap.-HD	220.00 35.0V			01
C602	WA163300	Electrolytic Cap.-HD	220.00 35.0V			01
C604	WA163300	Electrolytic Cap.-HD	220.00 35.0V			01
-607	WA163300	Electrolytic Cap.-HD	220.00 35.0V			01
C609	WA163300	Electrolytic Cap.-HD	220.00 35.0V			01
C610	WA163300	Electrolytic Cap.-HD	220.00 35.0V			01
C611	V7182500	Ceramic Capacitor-F (chip)	0.1000 50V Z			01
C612	V7182500	Ceramic Capacitor-F (chip)	0.1000 50V Z			01
C614	V7182500	Ceramic Capacitor-F (chip)	0.1000 50V Z			01
C615	V7182500	Ceramic Capacitor-F (chip)	0.1000 50V Z			01
C621	WD364600	Electrolytic Cap.-PW	1200 63.0V			
C622	WD364600	Electrolytic Cap.-PW	1200 63.0V			
C624	WD364600	Electrolytic Cap.-PW	1200 63.0V			
C625	WD364600	Electrolytic Cap.-PW	1200 63.0V			
C626	UI557100	Electrolytic Cap.	10.00 35.0V			01
C627	UI557100	Electrolytic Cap.	10.00 35.0V			01
C629	UI557100	Electrolytic Cap.	10.00 35.0V			01
C630	UI548100	Electrolytic Cap.	100.00 25.0V			01
C631	UI548100	Electrolytic Cap.	100.00 25.0V			01
C633	UI548100	Electrolytic Cap.	100.00 25.0V			01
C635	WA163300	Electrolytic Cap.-HD	220.00 35.0V			01
-637	WA163300	Electrolytic Cap.-HD	220.00 35.0V			01
C639	WA163300	Electrolytic Cap.-HD	220.00 35.0V			01
-641	WA163300	Electrolytic Cap.-HD	220.00 35.0V			01
C643	V7182500	Ceramic Capacitor-F (chip)	0.1000 50V Z			01
-645	V7182500	Ceramic Capacitor-F (chip)	0.1000 50V Z			01
C647	V7182500	Ceramic Capacitor-F (chip)	0.1000 50V Z			01
-649	V7182500	Ceramic Capacitor-F (chip)	0.1000 50V Z			01
C651	WA163100	Electrolytic Cap.-HC	220.00 35.0V			01
-653	WA163100	Electrolytic Cap.-HC	220.00 35.0V			01
C654	UA355100	Mylar Capacitor	0.1000 50V J			01
-656	UA355100	Mylar Capacitor	0.1000 50V J			01
C657	UI538100	Electrolytic Cap.	100.00 16.0V			01
-659	UI538100	Electrolytic Cap.	100.00 16.0V			01
C660	US145100	Ceramic Capacitor-F (chip)	0.1000 25V Z			01
C661	US145100	Ceramic Capacitor-F (chip)	0.1000 25V Z			01
C663	US145100	Ceramic Capacitor-F (chip)	0.1000 25V Z			01
-666	US145100	Ceramic Capacitor-F (chip)	0.1000 25V Z			01

* New Parts

RANK: Japan only

PM5D/PM5D-RH

REF NO.	PART NO.	DESCRIPTION	REMARKS	QTY	RANK
C667	U1565330	Electrolytic Cap.	0.33 50.0V		01
-670	U1565330	Electrolytic Cap.	0.33 50.0V		01
C671	U5063150	Ceramic Capacitor-B (chip)	1500P 50V K		01
-677	U5063150	Ceramic Capacitor-B (chip)	1500P 50V K		01
C676	V7182500	Ceramic Capacitor-F (chip)	0.1000 50V Z		01
-681	V7182500	Ceramic Capacitor-F (chip)	0.1000 50V Z		01
C683	V7182500	Ceramic Capacitor-F (chip)	0.1000 50V Z		01
-685	V7182500	Ceramic Capacitor-F (chip)	0.1000 50V Z		01
C686	UB445479	Monolithic Ceramic Cap.	F 0.470 16V Z		01
C687	V7182500	Ceramic Capacitor-F (chip)	0.1000 50V Z		01
-689	V7182500	Ceramic Capacitor-F (chip)	0.1000 50V Z		01
C701	WA163300	Electrolytic Cap.-HD	220.00 35.0V		01
-704	WA163300	Electrolytic Cap.-HD	220.00 35.0V		01
C705	V7182500	Ceramic Capacitor-F (chip)	0.1000 50V Z		01
-707	V7182500	Ceramic Capacitor-F (chip)	0.1000 50V Z		01
C708	WC880500	Monolithic Ceramic Cap.	1.500 25V Z		01
C709	UA355100	Mylar Capacitor	0.1000 50V J		01
C711	U1548100	Electrolytic Cap.	100.00 25.0V		01
C712	WA163100	Electrolytic Cap.-HC	220.00 35.0V		01
C713	WB820100	Electrolytic Cap.-HE	220.00 63.0V		01
C714	UR868100	Electrolytic Cap.	100.00 60.0V		01
C715	VS589000	Ceramic Capacitor-E	4700P 500V M		01
* C716	WB379000	Electrolytic Cap.	220 50.0V		01
* C717	WB379000	Electrolytic Cap.	220 50.0V		01
C718	UF057100	Electrolytic Cap. (chip)	10 35V		01
-722	UF057100	Electrolytic Cap. (chip)	10 35V		01
C723	U5145100	Ceramic Capacitor-F (chip)	0.1000 25V Z		01
-732	U5145100	Ceramic Capacitor-F (chip)	0.1000 25V Z		01
C733	UF047100	Electrolytic Cap. (chip)	10 25V		01
-737	UF047100	Electrolytic Cap. (chip)	10 25V		01
C738	U5145100	Ceramic Capacitor-F (chip)	0.1000 25V Z		01
C739	WB820100	Electrolytic Cap.-HE	220.00 63.0V		01
C740	U1565100	Electrolytic Cap.	0.10 50.0V		01
C741	WA163300	Electrolytic Cap.-HD	220.00 35.0V		01
C742	WA163300	Electrolytic Cap.-HD	220.00 35.0V		01
C743	V7182500	Ceramic Capacitor-F (chip)	0.1000 50V Z		01
C744	U1565330	Electrolytic Cap.	0.33 50.0V		01
C745	WA163100	Electrolytic Cap.-HC	220.00 35.0V		01
C747	U5063150	Ceramic Capacitor-B (chip)	1500P 50V K		01
C748	U5063150	Ceramic Capacitor-B (chip)	1500P 50V K		01
C749	V7182500	Ceramic Capacitor-F (chip)	0.1000 50V Z		01
C750	UB445479	Monolithic Ceramic Cap.	F 0.470 16V Z		01
C751	V7182500	Ceramic Capacitor-F (chip)	0.1000 50V Z		01
C752	UB445479	Monolithic Ceramic Cap.	F 0.470 16V Z		01
C753	V7182500	Ceramic Capacitor-F (chip)	0.1000 50V Z		01
C754	U5063100	Ceramic Capacitor-B (chip)	1000P 50V K		01
C755	WB820100	Electrolytic Cap.-HE	220.00 63.0V		01
C756	UA355100	Mylar Capacitor	0.1000 50V J		01
* C801	WB833900	Film Capacitor	0.1000 250V K		01
* -805	WB833900	Film Capacitor	0.1000 250V K		01
* C806	WD379300	Electrolytic Cap.-TONEREX	2200 35.0V		01
CN201	LB932070	Base Post Connector	VH 7P TE		01
CN202	LB932100	Base Post Connector	VH 10P TE		02
CN203	LB932090	Base Post Connector	VH 9P TE		01
CN204	VB389900	Connector Base Post	PH 3P TE		01
CN401	LB932070	Base Post Connector	VH 7P TE		01
CN402	VB390100	Connector Base Post	PH 5P TE		01
CN403	LB932090	Base Post Connector	VH 9P TE		01
CN404	LB932100	Base Post Connector	VH 10P TE		02
CN405	VK025500	Wee Trap	52147 11P TE		01
CN406	VK025200	Wee Trap	52147 8P TE		01
CN407	LB932040	Base Post Connector	VH 4P TE		01
CN408	LB932030	Base Post Connector	VH 3P TE		01
CN409	LB932050	Base Post Connector	VH 5P TE		01
CN410	VB390000	Connector Base Post	PH 4P TE		01
CN411	VB389800	Connector Base Post	PH 2P TE		01
CN414	VB390800	Connector Base Post	PH 12P TE		01
CN415	VF283400	Connector Base Post	PH 16P TE		01
CN419	VE352600	Connector Base Post	PH 14P TE		01
CN420	VE352600	Connector Base Post	PH 14P TE		01

*: New Parts

RANK: Japan only

REF NO.	PART NO.	DESCRIPTION	REMARKS	QTY	RANK
CN421	VF283300	Connector Base Post	PH 15P TE		01
CN422	VB389900	Connector Base Post	PH 3P TE		01
CN423	VB390200	Connector Base Post	PH 6P TE		01
CN424	VB390700	Connector Base Post	PH 11P TE		01
CN425	VB390100	Connector Base Post	PH 5P TE		01
CN426	VB390600	Connector Base Post	PH 10P TE		01
CN427	VE352600	Connector Base Post	PH 14P TE		01
CN428	VB390600	Connector Base Post	PH 10P TE		01
CN429	VE352600	Connector Base Post	PH 14P TE		01
CN430	VF283400	Connector Base Post	PH 16P TE		01
CN431	VF283400	Connector Base Post	PH 16P TE		01
CN432	VE352600	Connector Base Post	PH 14P TE		01
CN433	VE352600	Connector Base Post	PH 14P TE		01
CN801	LB932090	Base Post Connector	VH 9P TE		01
CN802	LB932100	Base Post Connector	VH 10P TE		02
CN803	LB932050	Base Post Connector	VH 5P TE		01
CN807	VB389900	Connector Base Post	PH 3P TE		01
CN808	LB932070	Base Post Connector	VH 7P TE		01
CN809	LB932100	Base Post Connector	VH 10P TE		02
CN810	LB932090	Base Post Connector	VH 9P TE		01
CN811	LB932040	Base Post Connector	VH 4P TE		01
CN812	LB932100	Base Post Connector	VH 10P TE		02
CN813	LB932080	Base Post Connector	VH 8P TE		01
CN814	LB932050	Base Post Connector	VH 5P TE		01
CN815	LB932060	Base Post Connector	VH 6P TE		01
CN816	LB932080	Base Post Connector	VH 8P TE		01
CN817	VB390800	Connector Base Post	PH 12P TE		01
CN818	VB390500	Connector Base Post	PH 9P TE		03
CN819	VB390700	Connector Base Post	PH 11P TE		01
CN820	VB390600	Connector Base Post	PH 10P TE		01
D501	V2330500	Diode	DE5S4M		03
-506	V2330500	Diode	DE5S4M		03
D601	V2330500	Diode	DE5S4M		03
D602	V2330500	Diode	DE5S4M		03
D604	V2330500	Diode	DE5S4M		03
D605	V2330500	Diode	DE5S4M		03
* D606	WB880800	Diode	10EDA40-TA2B5 52		
* D607	WB880800	Diode	10EDA40-TA2B5 52		
* D609	WB880800	Diode	10EDA40-TA2B5 52		
D610	V5597600	Diode	RB160L-40 TE25		01
D611	V5597600	Diode	RB160L-40 TE25		01
D613	V5597600	Diode	RB160L-40 TE25		01
D615	V2330500	Diode	DE5S4M		03
-617	V2330500	Diode	DE5S4M		03
* D618	WB880800	Diode	10EDA40-TA2B5 52		
* -620	WB880800	Diode	10EDA40-TA2B5 52		
D621	V5597600	Diode	RB160L-40 TE25		01
-623	V5597600	Diode	RB160L-40 TE25		01
D624	V5201100	Diode	D1F60		01
-627	V5201100	Diode	D1F60		01
D702	V2330500	Diode	DE5S4M		03
D703	WB799600	Diode	MUR420RL		03
* D704	WB880800	Diode	10EDA40-TA2B5 52		
D705	V5597600	Diode	RB160L-40 TE25		01
D706	V5201100	Diode	D1F60		01
-710	V5201100	Diode	D1F60		01
* D711	WB880800	Diode	10EDA40-TA2B5 52		
* -715	WB880800	Diode	10EDA40-TA2B5 52		
D716	V5201100	Diode	D1F60		01
D717	V5201100	Diode	D1F60		01
D718	V2330500	Diode	DE5S4M		03
EM401	VD542700	LC Filter	DSS6NF31C223Q93A		01
-426	VD542700	LC Filter	DSS6NF31C223Q93A		01
EM427	WA093400	LC Filter	ZJSR5101-223TA		01
EM428	WA049400	LC Filter	DSS6NE32A222Q93A		01
EM429	WA093400	LC Filter	ZJSR5101-223TA		01
EM430	VD542700	LC Filter	DSS6NF31C223Q93A		01
-432	VD542700	LC Filter	DSS6NF31C223Q93A		01
* F501	WC423800	Fuse	T H 2.00A US 250V		
* F502	WC423800	Fuse	T H 2.00A US 250V		



* New Parts

RANK: Japan only

PM5D/PM5D-RH

REF NO.	PART NO.	DESCRIPTION	REMARKS	QTY	RANK
△	F503	WD255500 Fuse	T H 1.00A US 250V		
△	F504	WC423800 Fuse	T H 2.00A US 250V		
△	-506	WC423800 Fuse	T H 2.00A US 250V		
△	F601	WC423900 Fuse	T H 3.15A US 250V		
△	F602	WC423900 Fuse	T H 3.15A US 250V		
△	F604	WC423900 Fuse	T H 3.15A US 250V		
△	F605	WC423900 Fuse	T H 3.15A US 250V		
△	F607	WC423900 Fuse	T H 3.15A US 250V		
△	-609	WC423900 Fuse	T H 3.15A US 250V		
△	F701	WC423900 Fuse	T H 3.15A US 250V		
△	-703	WC423900 Fuse	T H 3.15A US 250V		
△	F704	WC424200 Fuse	T H 6.30A US 250V		
△	F705	WC423800 Fuse	T H 2.00A US 250V		
	IC301	X3847A00 IC	S-80142ANMC-JC3-T2	SYSTEM RESET	01
	IC501	X2789A00 IC	LM2678SX-ADJ	DC-DC CONVERTER	05
	-506	X2789A00 IC	LM2678SX-ADJ	DC-DC CONVERTER	08
	IC601	X5090A00 IC	PQ1CY10322P	DC-DC CONVERTER	
	IC602	X5090A00 IC	PQ1CY10322P	DC-DC CONVERTER	
	IC604	X5090A00 IC	PQ1CY10322P	DC-DC CONVERTER	
	IC606	X5091A00 IC	LM1085IT-ADJ	REGULATOR	
	IC607	X5091A00 IC	LM1085IT-ADJ	REGULATOR	
	IC609	X5091A00 IC	LM1085IT-ADJ	REGULATOR	
	IC611	X2789A00 IC	LM2678SX-ADJ	DC-DC CONVERTER	08
	-613	X2789A00 IC	LM2678SX-ADJ	DC-DC CONVERTER	08
	IC614	XM967A00 IC	UPC24A05HF	REGULATOR +5V	05
	-616	XM967A00 IC	UPC24A05HF	REGULATOR +5V	05
	IC617	X5090A00 IC	PQ1CY10322P	DC-DC CONVERTER	
	IC701	X4360A00 IC	LM2585SX-ADJ	DC-DC CONVERTER	08
	IC702	X5090A00 IC	PQ1CY10322P	DC-DC CONVERTER	
	IC703	X4671A00 IC	NJM7820DL1A(TE1)	REGULATOR +20V	
	IC704	X4684A00 IC	OB51002415	DC-DC CONVERTER	
	IC705	X4638A00 IC	LM2990T-15	REGULATOR -15V	
	-709	X4638A00 IC	LM2990T-15	REGULATOR -15V	
	IC710	X5090A00 IC	PQ1CY10322P	DC-DC CONVERTER	
△	IC711	WC541600 Photo Mos Relay	AQ2102		
	K801	-- Earth Plate		(WA20680)	
	-803	-- Earth Plate		(WA20680)	
	L501	WC218300 Coil	RCR1616-220M 22uH		
	-503	WC218300 Coil	RCR1616-220M 22uH		
	L504	WC218200 Coil	RCR1616-150M 15uH		
	-506	WC218200 Coil	RCR1616-150M 15uH		
	L601	WC218600 Coil	RCR1616-101K 100uH		
	L602	WC218600 Coil	RCR1616-101K 100uH		
	L604	WC218600 Coil	RCR1616-101K 100uH		
	L605	WC218600 Coil	RCR1616-101K 100uH		
	L607	WC218500 Coil	RCR1616-470M 47uH		
	-609	WC218500 Coil	RCR1616-470M 47uH		
	L701	WC218600 Coil	RCR1616-101K 100uH		
	-703	WC218600 Coil	RCR1616-101K 100uH		
	L801	WB833800 Coil	SC-18-05J		
	L802	WB833700 Coil	SC-10-10J		
	L803	VJ 898300 Coil	SC-05-10J		08
	-805	VJ 898300 Coil	SC-05-10J		08
	R301	V1197900 Metal Film Resistor (chip)	16.0K 1/10 D		01
	R302	V1196600 Metal Film Resistor (chip)	4.7K 1/10 D		01
	R304	RD257100 Carbon Resistor (chip)	10.0K 0.1 J		01
	R305	RD257120 Carbon Resistor (chip)	12.0K 0.1 J		01
	R306	RD256390 Carbon Resistor (chip)	3.9K 0.1 J		01
	R307	RD257100 Carbon Resistor (chip)	10.0K 0.1 J		01
	R308	RD257100 Carbon Resistor (chip)	10.0K 0.1 J		01
	R309	VC750200 Metal Oxide Film Resistor	12.0K 1W J		01
	R310	RD257100 Carbon Resistor (chip)	10.0K 0.1 J		01
	R311	V1825600 Carbon Resistor (chip)	56.0 1/0 J		01
	R312	RD156220 Carbon Resistor (chip)	2.2K 1/4 J		01
	R313	RD257100 Carbon Resistor (chip)	10.0K 0.1 J		01
	R314	RD256220 Carbon Resistor (chip)	2.2K 0.1 J		01
	R315	RD157220 Carbon Resistor (chip)	22.0K 1/4 J		01
	R316	RD257100 Carbon Resistor (chip)	10.0K 0.1 J		01
	R317	RD157100 Carbon Resistor (chip)	10.0K 1/4 J		01
	R318	RD257620 Carbon Resistor (chip)	62.0K 0.1 J		01

*: New Parts

RANK: J apan only

REF NO.	PART NO.	DESCRIPTION	REMARKS	QTY	NAME
R501	VI198100	Metal Film Resistor (chip)	20.0K 1/10 D		01
R502	VI196400	Metal Film Resistor (chip)	3.9K 1/10 D		01
R503	VI198100	Metal Film Resistor (chip)	20.0K 1/10 D		01
R504	VI196400	Metal Film Resistor (chip)	3.9K 1/10 D		01
R505	VI198100	Metal Film Resistor (chip)	20.0K 1/10 D		01
R506	VI196400	Metal Film Resistor (chip)	3.9K 1/10 D		01
R507	VI198100	Metal Film Resistor (chip)	20.0K 1/10 D		01
R508	VI196400	Metal Film Resistor (chip)	3.9K 1/10 D		01
R509	VI198100	Metal Film Resistor (chip)	20.0K 1/10 D		01
R510	VI196400	Metal Film Resistor (chip)	3.9K 1/10 D		01
R511	VI198100	Metal Film Resistor (chip)	20.0K 1/10 D		01
R512	VI196400	Metal Film Resistor (chip)	3.9K 1/10 D		01
R513	VI194900	Metal Film Resistor (chip)	1.0K 1/10 D		01
-515	VI194900	Metal Film Resistor (chip)	1.0K 1/10 D		01
R517	RD257120	Carbon Resistor (chip)	12.0K 0.1 J		01
R519	RD257120	Carbon Resistor (chip)	12.0K 0.1 J		01
R521	RD257120	Carbon Resistor (chip)	12.0K 0.1 J		01
R523	RD257120	Carbon Resistor (chip)	12.0K 0.1 J		01
R525	RD257120	Carbon Resistor (chip)	12.0K 0.1 J		01
R527	RD257120	Carbon Resistor (chip)	12.0K 0.1 J		01
R528	VI194900	Metal Film Resistor (chip)	1.0K 1/10 D		01
-530	VI194900	Metal Film Resistor (chip)	1.0K 1/10 D		01
R531	VI195500	Metal Film Resistor (chip)	1.8K 1/10 D		01
R532	VI196000	Metal Film Resistor (chip)	3.0K 1/10 D		01
R533	VI195500	Metal Film Resistor (chip)	1.8K 1/10 D		01
R534	VI195500	Metal Film Resistor (chip)	1.8K 1/10 D		01
R535	VI196000	Metal Film Resistor (chip)	3.0K 1/10 D		01
R536	VI196000	Metal Film Resistor (chip)	3.0K 1/10 D		01
R537	RD256470	Carbon Resistor (chip)	4.7K 0.1 J		01
-539	RD256470	Carbon Resistor (chip)	4.7K 0.1 J		01
R540	RD256330	Carbon Resistor (chip)	3.3K 0.1 J		01
-542	RD256330	Carbon Resistor (chip)	3.3K 0.1 J		01
R543	VI192800	Metal Film Resistor (chip)	130.0 1/10 D		01
-545	VI192800	Metal Film Resistor (chip)	130.0 1/10 D		01
R601	RD256510	Carbon Resistor (chip)	5.1K 0.1 J		01
-604	RD256510	Carbon Resistor (chip)	5.1K 0.1 J		01
R607	RD256510	Carbon Resistor (chip)	5.1K 0.1 J		01
-610	RD256510	Carbon Resistor (chip)	5.1K 0.1 J		01
R611	RD257620	Carbon Resistor (chip)	62.0K 0.1 J		01
R613	RD257620	Carbon Resistor (chip)	62.0K 0.1 J		01
R617	RD257620	Carbon Resistor (chip)	62.0K 0.1 J		01
R619	RD257620	Carbon Resistor (chip)	62.0K 0.1 J		01
R621	VI194900	Metal Film Resistor (chip)	1.0K 1/10 D		01
R622	VI194900	Metal Film Resistor (chip)	1.0K 1/10 D		01
R624	VI194900	Metal Film Resistor (chip)	1.0K 1/10 D		01
R625	VI194900	Metal Film Resistor (chip)	1.0K 1/10 D		01
R626	VI197600	Metal Film Resistor (chip)	12.0K 1/10 D		01
R627	VI197600	Metal Film Resistor (chip)	12.0K 1/10 D		01
R629	VI197600	Metal Film Resistor (chip)	12.0K 1/10 D		01
R630	VI197600	Metal Film Resistor (chip)	12.0K 1/10 D		01
R635	RD257150	Carbon Resistor (chip)	15.0K 0.1 J		01
R636	HF757100	Carbon Resistor	10.0K 1/4 J		01
R637	HF757100	Carbon Resistor	10.0K 1/4 J		01
R639	HF757100	Carbon Resistor	10.0K 1/4 J		01
R642	VI198400	Metal Film Resistor (chip)	27.0K 1/10 D		01
R643	VI196400	Metal Film Resistor (chip)	3.9K 1/10 D		01
R644	VI198400	Metal Film Resistor (chip)	27.0K 1/10 D		01
R645	VI196400	Metal Film Resistor (chip)	3.9K 1/10 D		01
R646	VI198400	Metal Film Resistor (chip)	27.0K 1/10 D		01
R647	VI196400	Metal Film Resistor (chip)	3.9K 1/10 D		01
R652	RD257120	Carbon Resistor (chip)	12.0K 0.1 J		01
R654	RD257120	Carbon Resistor (chip)	12.0K 0.1 J		01
R656	RD257120	Carbon Resistor (chip)	12.0K 0.1 J		01
R657	VI194900	Metal Film Resistor (chip)	1.0K 1/10 D		01
-659	VI194900	Metal Film Resistor (chip)	1.0K 1/10 D		01
R661	VI196500	Metal Film Resistor (chip)	4.3K 1/10 D		01
R662	VI196500	Metal Film Resistor (chip)	4.3K 1/10 D		01
R663	VI196700	Metal Film Resistor (chip)	5.1K 1/10 D		01
R667	RD256510	Carbon Resistor (chip)	5.1K 0.1 J		01
R668	HF757100	Carbon Resistor	10.0K 1/4 J		01

* New Parts

RANK: Japan only

PM5D/PM5D-RH

REF NO.	PART NO.	DESCRIPTION		REMARKS	QTY	RANK
-670	HF757100	Carbon Resistor	10.0K 1/4 J			01
R672	RD257100	Carbon Resistor (chip)	10.0K 0.1 J			01
R673	RD257150	Carbon Resistor (chip)	15.0K 0.1 J			01
R674	RD256470	Carbon Resistor (chip)	4.7K 0.1 J			01
R675	VI192500	Metal Film Resistor (chip)	100.0 1/10 D			01
R676	WD457500	Metal Oxide Film Resistor	1.1K 2W G			01
R677	RD257100	Carbon Resistor (chip)	10.0K 0.1 J			01
R678	RD257150	Carbon Resistor (chip)	15.0K 0.1 J			01
R679	RD256470	Carbon Resistor (chip)	4.7K 0.1 J			01
R680	VI192500	Metal Film Resistor (chip)	100.0 1/10 D			01
R681	WD457500	Metal Oxide Film Resistor	1.1K 2W G			01
R682	RD257100	Carbon Resistor (chip)	10.0K 0.1 J			01
R683	RD257150	Carbon Resistor (chip)	15.0K 0.1 J			01
R684	RD256470	Carbon Resistor (chip)	4.7K 0.1 J			01
R685	VI192500	Metal Film Resistor (chip)	100.0 1/10 D			01
R686	WD457500	Metal Oxide Film Resistor	1.1K 2W G			01
R687	RD257100	Carbon Resistor (chip)	10.0K 0.1 J			01
R688	RD257150	Carbon Resistor (chip)	15.0K 0.1 J			01
R689	RD256470	Carbon Resistor (chip)	4.7K 0.1 J			01
R690	VI195000	Metal Film Resistor (chip)	1.1K 1/10 D			01
-692	VI195000	Metal Film Resistor (chip)	1.1K 1/10 D			01
R693	VI194500	Metal Film Resistor (chip)	680.0 1/10 D			01
R703	RD256510	Carbon Resistor (chip)	5.1K 0.1 J			01
R704	RD256510	Carbon Resistor (chip)	5.1K 0.1 J			01
R706	RD257620	Carbon Resistor (chip)	62.0K 0.1 J			01
R708	VI194900	Metal Film Resistor (chip)	1.0K 1/10 D			01
R709	RD156300	Carbon Resistor (chip)	3.0K 1/4 J			01
R710	VI197200	Metal Film Resistor (chip)	8.2K 1/10 D			01
R711	VC330000	Metal Film Resistor	33.0K 1/4 F			01
R712	VI194900	Metal Film Resistor (chip)	1.0K 1/10 D			01
R713	RD257120	Carbon Resistor (chip)	12.0K 0.1 J			01
R714	HF757100	Carbon Resistor	10.0K 1/4 J			01
R716	RD256510	Carbon Resistor (chip)	5.1K 0.1 J			01
R717	RD256510	Carbon Resistor (chip)	5.1K 0.1 J			01
R718	RD257470	Carbon Resistor (chip)	47.0K 0.1 J			01
R722	VI198400	Metal Film Resistor (chip)	27.0K 1/10 D			01
R723	VI196700	Metal Film Resistor (chip)	5.1K 1/10 D			01
R724	RD257100	Carbon Resistor (chip)	10.0K 0.1 J			01
R725	RD257150	Carbon Resistor (chip)	15.0K 0.1 J			01
R726	RD256470	Carbon Resistor (chip)	4.7K 0.1 J			01
R727	VI194100	Metal Film Resistor (chip)	470.0 1/10 D			01
R728	VI194900	Metal Film Resistor (chip)	1.0K 1/10 D			01
R729	VI197200	Metal Film Resistor (chip)	8.2K 1/10 D			01
R730	VI194100	Metal Film Resistor (chip)	470.0 1/10 D			01
R731	RD257150	Carbon Resistor (chip)	15.0K 0.1 J			01
R732	RD256470	Carbon Resistor (chip)	4.7K 0.1 J			01
R733	RD257120	Carbon Resistor (chip)	12.0K 0.1 J			01
R734	RD256510	Carbon Resistor (chip)	5.1K 0.1 J			01
R735	RD256510	Carbon Resistor (chip)	5.1K 0.1 J			01
R736	RD257620	Carbon Resistor (chip)	62.0K 0.1 J			01
R737	RD257100	Carbon Resistor (chip)	10.0K 0.1 J			01
R738	RD255750	Carbon Resistor (chip)	750.0 0.1 J			01
R739	VI196000	Metal Film Resistor (chip)	3.0K 1/10 D			01
R740	VC763100	Metal Oxide Film Resistor	4.7K 2W J			01
R741	VC763100	Metal Oxide Film Resistor	4.7K 2W J			01
TR301	VJ 927100	Transistor	2SC2712 Y			01
TR302	VJ 927100	Transistor	2SC2712 Y			01
TR303	VJ 927200	Transistor	2SA1162 O,Y			01
TR304	VV655500	Digital Transistor	DTC124EKA TP			01
TR305	VG013400	Transistor	2SD1664 82-390			01
TR306	VJ 927100	Transistor	2SC2712 Y			01
TR307	VJ 927200	Transistor	2SA1162 O,Y			01
TR308	VJ 927200	Transistor	2SA1162 O,Y			01
TR309	VJ 927100	Transistor	2SC2712 Y			01
TR501	VJ 927100	Transistor	2SC2712 Y			01
-506	VJ 927100	Transistor	2SC2712 Y			01
TR601	VJ 927100	Transistor	2SC2712 Y			01
TR602	VJ 927100	Transistor	2SC2712 Y			01
TR604	VJ 927100	Transistor	2SC2712 Y			01
TR605	VJ 927100	Transistor	2SC2712 Y			01

*: New Parts

RANK: Japan only

REF NO.	PART NO.	DESCRIPTION	REMARKS	QTY	NAME
TR607	VJ 927100	Transistor	2SC2712 Y		01
-613	VJ 927100	Transistor	2SC2712 Y		01
TR702	VJ 927100	Transistor	2SC2712 Y		01
-706	VJ 927100	Transistor	2SC2712 Y		01
* ZD302	WC417200	Zener Diode	UDZS22B TE-17 22V		
* ZD601	VU173100	Zener Diode	UDZS16B TE-17 16V		
* ZD602	VU173100	Zener Diode	UDZS16B TE-17 16V		
* ZD604	VU173100	Zener Diode	UDZS16B TE-17 16V		
* ZD605	VU173100	Zener Diode	UDZS16B TE-17 16V		
* ZD702	WC424500	Zener Diode	UDZS12B TE-17 12V		
* ZD703	VU173100	Zener Diode	UDZS16B TE-17 16V		
* ZD704	VU173100	Zener Diode	UDZS16B TE-17 16V		
* C201	WA829300	Circuit Board	BRG2	(X4099B0)	
-220	WA163300	Electrolytic Cap.-HD	220.00 35.0V		01
C221	UB045100	Monolithic Ceramic Cap.	F 0.100 50V Z		01
-240	UB045100	Monolithic Ceramic Cap.	F 0.100 50V Z		01
C241	WA163100	Electrolytic Cap.-HC	220.00 35.0V		01
-250	WA163100	Electrolytic Cap.-HC	220.00 35.0V		01
C251	US063150	Ceramic Capacitor B (chip)	1500P 50V K		01
-260	US063150	Ceramic Capacitor-B (chip)	1500P 50V K		01
C261	UB445470	Monolithic Ceramic Cap.	F 0.470 16V Z		01
-270	UB445470	Monolithic Ceramic Cap.	F 0.470 16V Z		01
C271	V7182500	Ceramic Capacitor-F (chip)	0.1000 50V Z		01
-280	V7182500	Ceramic Capacitor-F (chip)	0.1000 50V Z		01
CN201	LB932040	Base Post Connector	VH 4P TE		01
CN202	LB932100	Base Post Connector	VH 10P TE		02
CN203	LB932080	Base Post Connector	VH 8P TE		01
CN204	LB932060	Base Post Connector	VH 6P TE		01
CN205	LB932090	Base Post Connector	VH 9P TE		01
CN206	LB932070	Base Post Connector	VH 7P TE		01
CN207	LB932070	Base Post Connector	VH 7P TE		01
CN208	LB932050	Base Post Connector	VH 5P TE		01
D201	V2330500	Diode	DE5S4M		03
-210	V2330500	Diode	DE5S4M		03
EM203	VD542700	LC Filter	DSS6NF31C223Q93A		01
-205	VD542700	LC Filter	DSS6NF31C223Q93A		01
EM208	VD542700	LC Filter	DSS6NF31C223Q93A		01
-210	VD542700	LC Filter	DSS6NF31C223Q93A		01
* F201	WC423800	Fuse	T H 2.00A US 250V		
* F207	WC423800	Fuse	T H 2.00A US 250V		
* F208	WD255500	Fuse	T H 1.00A US 250V		
* F209	WC423900	Fuse	T H 3.15A US 250V		
* F210	WC423900	Fuse	T H 3.15A US 250V		
IC201	X2789A00	IC	LM2678SX-ADJ	DC-DC CONVERTER	08
-210	X2789A00	IC	LM2678SX-ADJ	DC-DC CONVERTER	08
* L201	WC469300	Coil	OH-0522 45uH		
* L206	WC218400	Coil	RCR1616-330M 33uH		
* L205	WC218400	Coil	RCR1616-330M 33uH		
R201	VI194900	Metal Film Resistor (chip)	1.0K 1/10 D		01
-208	VI194900	Metal Film Resistor (chip)	1.0K 1/10 D		01
R209	VI198100	Metal Film Resistor (chip)	20.0K 1/10 D		01
R210	VI196400	Metal Film Resistor (chip)	3.9K 1/10 D		01
R211	VI198100	Metal Film Resistor (chip)	20.0K 1/10 D		01
R212	VI196400	Metal Film Resistor (chip)	3.9K 1/10 D		01
R213	VI198100	Metal Film Resistor (chip)	20.0K 1/10 D		01
R214	VI196400	Metal Film Resistor (chip)	3.9K 1/10 D		01
R215	VI198100	Metal Film Resistor (chip)	20.0K 1/10 D		01
R216	VI196400	Metal Film Resistor (chip)	3.9K 1/10 D		01
R217	VI198100	Metal Film Resistor (chip)	20.0K 1/10 D		01
R218	VI196400	Metal Film Resistor (chip)	3.9K 1/10 D		01
R219	VI198100	Metal Film Resistor (chip)	20.0K 1/10 D		01
R220	VI196400	Metal Film Resistor (chip)	3.9K 1/10 D		01
R221	VI198100	Metal Film Resistor (chip)	20.0K 1/10 D		01
R222	VI196400	Metal Film Resistor (chip)	3.9K 1/10 D		01
R223	VI198100	Metal Film Resistor (chip)	20.0K 1/10 D		01
R224	VI196400	Metal Film Resistor (chip)	3.9K 1/10 D		01
R225	VI198400	Metal Film Resistor (chip)	27.0K 1/10 D		01

* New Parts

RANK: Japan only

PM5D/PM5D-RH

REF NO.	PART NO.	DESCRIPTION		REMARKS	QTY	RANK
R226	V1196400	Metal Film Resistor (chip)	3.9K 1/10 D			01
R227	V1198400	Metal Film Resistor (chip)	27.0K 1/10 D			01
R228	V1196400	Metal Film Resistor (chip)	3.9K 1/10 D			01
R230	RD257120	Carbon Resistor (chip)	12.0K 0.1 J			01
R232	RD257120	Carbon Resistor (chip)	12.0K 0.1 J			01
R234	RD257120	Carbon Resistor (chip)	12.0K 0.1 J			01
R236	RD257120	Carbon Resistor (chip)	12.0K 0.1 J			01
R238	RD257120	Carbon Resistor (chip)	12.0K 0.1 J			01
R240	RD257120	Carbon Resistor (chip)	12.0K 0.1 J			01
R242	RD257120	Carbon Resistor (chip)	12.0K 0.1 J			01
R244	RD257120	Carbon Resistor (chip)	12.0K 0.1 J			01
R246	RD257120	Carbon Resistor (chip)	12.0K 0.1 J			01
R248	RD257120	Carbon Resistor (chip)	12.0K 0.1 J			01
R249	V1194900	Metal Film Resistor (chip)	1.0K 1/10 D			01
R250	V1194900	Metal Film Resistor (chip)	1.0K 1/10 D			01
R251	V1197300	Metal Film Resistor (chip)	9.1K 1/10 D			01
R252	V1197300	Metal Film Resistor (chip)	9.1K 1/10 D			01
R253	V1195500	Metal Film Resistor (chip)	1.8K 1/10 D			01
-258	V1195500	Metal Film Resistor (chip)	1.8K 1/10 D			01
R259	V1196000	Metal Film Resistor (chip)	3.0K 1/10 D			01
R260	V1196000	Metal Film Resistor (chip)	3.0K 1/10 D			01
R261	RD256330	Carbon Resistor (chip)	3.3K 0.1 J			01
-266	RD256330	Carbon Resistor (chip)	3.3K 0.1 J			01
R267	RD256470	Carbon Resistor (chip)	4.7K 0.1 J			01
R268	RD256470	Carbon Resistor (chip)	4.7K 0.1 J			01
R269	RD257120	Carbon Resistor (chip)	12.0K 0.1 J			01
R270	RD257120	Carbon Resistor (chip)	12.0K 0.1 J			01
R271	V1192800	Metal Film Resistor (chip)	130.0 1/10 D			01
R272	V1193400	Metal Film Resistor (chip)	240.0 1/10 D			01
TR201	VJ 927100	Transistor	25C2712 Y			01
-216	VJ 927100	Transistor	25C2712 Y			01
	WR057100	Circuit Board	BRG3	(X4100B0)		
C201	WA163300	Electrolytic Cap.-HD	220.00 35.0V			01
-208	WA163300	Electrolytic Cap.-HD	220.00 35.0V			01
C209	UB045100	Monolithic Ceramic Cap.	F 0.100 50V Z			01
-216	UB045100	Monolithic Ceramic Cap.	F 0.100 50V Z			01
C217	WA163100	Electrolytic Cap.-HC	220.00 35.0V			01
-220	WA163100	Electrolytic Cap.-HC	220.00 35.0V			01
C221	U5063150	Ceramic Capacitor-B (chip)	1500P 50V K			01
-224	U5063150	Ceramic Capacitor-B (chip)	1500P 50V K			01
C225	UB445470	Monolithic Ceramic Cap.	F 0.470 16V Z			01
-228	UB445470	Monolithic Ceramic Cap.	F 0.470 16V Z			01
C229	V7182500	Ceramic Capacitor-F (chip)	0.1000 50V Z			01
-232	V7182500	Ceramic Capacitor-F (chip)	0.1000 50V Z			01
CN201	LB932080	Base Post Connector	VH 8P TE			01
CN202	LB932050	Base Post Connector	VH 5P TE			01
CN203	LB932040	Base Post Connector	VH 4P TE			01
CN204	LB932060	Base Post Connector	VH 6P TE			01
D201	V2330500	Diode	DE554M			03
-204	V2330500	Diode	DE554M			03
EM204	VD542700	LC Filter	DSS6NF31C223Q83A			01
-206	VD542700	LC Filter	DSS6NF31C223Q83A			01
F201	WC423800	Fuse	T H 2.00A US 250V			
F202	WC423800	Fuse	T H 2.00A US 250V			
F203	WD255500	Fuse	I H 1.00A US 250V			
F204	WC423900	Fuse	T H 3.15A US 250V			
IC201	X2789A00	IC	LM2678SX-ADJ	DC-DC CONVERTER		08
-204	X2789A00	IC	LM2678SX-ADJ	DC-DC CONVERTER		08
L201	WC469300	Coil	OH-052Z 45uH			
L202	WC405800	Coil	OH-031Z 30uH			
L203	WC218500	Coil	RCR1616-470M 47uH			
L204	WC218400	Coil	RCR1616-330M 33uH			
R201	V1194900	Metal Film Resistor (chip)	1.0K 1/10 D			01
-203	V1194900	Metal Film Resistor (chip)	1.0K 1/10 D			01
R204	V1198100	Metal Film Resistor (chip)	20.0K 1/10 D			01
R205	V1196400	Metal Film Resistor (chip)	3.9K 1/10 D			01
R206	V1198100	Metal Film Resistor (chip)	20.0K 1/10 D			01
R207	V1196400	Metal Film Resistor (chip)	3.9K 1/10 D			01
R208	V1198100	Metal Film Resistor (chip)	20.0K 1/10 D			01

*: New Parts

RANK: J apan only

REF NO.	PART NO.	DESCRIPTION		REMARKS	QTY	RANK
R209	VI196400	Metal Film Resistor (chip)	3.9K 1/10 D			01
R210	VI198400	Metal Film Resistor (chip)	27.0K 1/10 D			01
R211	VI196400	Metal Film Resistor (chip)	3.9K 1/10 D			01
R213	RD257120	Carbon Resistor (chip)	12.0K 0.1 J			01
R215	RD257120	Carbon Resistor (chip)	12.0K 0.1 J			01
R217	RD257120	Carbon Resistor (chip)	12.0K 0.1 J			01
R219	RD257120	Carbon Resistor (chip)	12.0K 0.1 J			01
R220	VI194900	Metal Film Resistor (chip)	1.0K 1/10 D			01
R221	VI197300	Metal Film Resistor (chip)	9.1K 1/10 D			01
R222	VI195500	Metal Film Resistor (chip)	1.8K 1/10 D			01
R223	VI196100	Metal Film Resistor (chip)	3.3K 1/10 D			01
R224	VI196000	Metal Film Resistor (chip)	3.0K 1/10 D			01
R225	RD256330	Carbon Resistor (chip)	3.3K 0.1 J			01
R226	RD256470	Carbon Resistor (chip)	4.7K 0.1 J			01
R227	RD256470	Carbon Resistor (chip)	4.7K 0.1 J			01
R228	RD257120	Carbon Resistor (chip)	12.0K 0.1 J			01
R229	VI192800	Metal Film Resistor (chip)	130.0 1/10 D			01
TR201	VJ 927100	Transistor	2SC2712 Y			01
-204	VJ 927100	Transistor	2SC2712 Y			01
	WC219300	Circuit Board	BRG4	(X463080)		
C201	WA163300	Electrolytic Cap.-HD	220.00 35.0V			01
-208	WA163300	Electrolytic Cap.-HD	220.00 35.0V			01
C209	V7182500	Ceramic Capacitor-F (chip)	0.1000 50V Z			01
-212	V7182500	Ceramic Capacitor-F (chip)	0.1000 50V Z			01
C214	V7182500	Ceramic Capacitor-F (chip)	0.1000 50V Z			01
-216	V7182500	Ceramic Capacitor-F (chip)	0.1000 50V Z			01
C217	WD364600	Electrolytic Cap.-PW	1200 63.0V			01
C218	WA163100	Electrolytic Cap.-HC	220.00 35.0V			01
-220	WA163100	Electrolytic Cap.-HC	220.00 35.0V			01
C221	US145100	Ceramic Capacitor-F (chip)	0.1000 25V Z			01
C222	UI548100	Electrolytic Cap.	100.00 25.0V			01
C223	WA163300	Electrolytic Cap.-HD	220.00 35.0V			01
C224	WB820100	Electrolytic Cap.-HE	220.00 63.0V			01
C225	WB820100	Electrolytic Cap.-HE	220.00 63.0V			01
C226	WA163300	Electrolytic Cap.-HD	220.00 35.0V			01
-228	WA163300	Electrolytic Cap.-HD	220.00 35.0V			01
C229	WB820100	Electrolytic Cap.-HE	220.00 63.0V			01
C230	WB820100	Electrolytic Cap.-HE	220.00 63.0V			01
C231	WA163300	Electrolytic Cap.-HD	220.00 35.0V			01
C232	UA355100	Mylar Capacitor	0.1000 50V J			01
C233	WA163300	Electrolytic Cap.-HD	220.00 35.0V			01
C234	V7182500	Ceramic Capacitor-F (chip)	0.1000 50V Z			01
-238	V7182500	Ceramic Capacitor-F (chip)	0.1000 50V Z			01
C239	UI548100	Electrolytic Cap.	100.00 25.0V			01
C240	V7182500	Ceramic Capacitor-F (chip)	0.1000 50V Z			01
C241	WA163100	Electrolytic Cap.-HC	220.00 35.0V			01
-245	WA163100	Electrolytic Cap.-HC	220.00 35.0V			01
C246	UA355100	Mylar Capacitor	0.1000 50V J			01
-250	UA355100	Mylar Capacitor	0.1000 50V J			01
C251	UI548100	Electrolytic Cap.	100.00 25.0V			01
C252	UI548100	Electrolytic Cap.	100.00 25.0V			01
C253	UI538100	Electrolytic Cap.	100.00 16.0V			01
-255	UI538100	Electrolytic Cap.	100.00 16.0V			01
C257	V7182500	Ceramic Capacitor-F (chip)	0.1000 50V Z			01
-261	V7182500	Ceramic Capacitor-F (chip)	0.1000 50V Z			01
C262	UI565330	Electrolytic Cap.	0.33 50.0V			01
C263	UI557100	Electrolytic Cap.	10.00 35.0V			01
C264	US063150	Ceramic Capacitor-B (chip)	1500P 50V K			01
-272	US063150	Ceramic Capacitor-B (chip)	1500P 50V K			01
C273	US145100	Ceramic Capacitor-F (chip)	0.1000 25V Z			01
C274	UB445470	Monolithic Ceramic Cap.	F 0.470 16V Z			01
C275	UB445470	Monolithic Ceramic Cap.	F 0.470 16V Z			01
C276	V7182500	Ceramic Capacitor-F (chip)	0.1000 50V Z			01
C277	V7182500	Ceramic Capacitor-F (chip)	0.1000 50V Z			01
C278	UB445470	Monolithic Ceramic Cap.	F 0.470 16V Z			01
C279	V7182500	Ceramic Capacitor-F (chip)	0.1000 50V Z			01
-286	V7182500	Ceramic Capacitor-F (chip)	0.1000 50V Z			01
CN201	LB932050	Base Post Connector	VH 5P TE			01
CN202	LB932060	Base Post Connector	VH 6P TE			01

* New Parts

RANK: Japan only

PM5D/PM5D-RH

REF NO.	PART NO.	DESCRIPTION		REMARKS	QTY	RANK
CN203	LB932080	Base Post Connector	VH 8P TE			01
CN204	VB390300	Connector Base Post	PH 7P TE			01
CN205	LB932100	Base Post Connector	VH 10P TE			02
D201	V2330500	Diode	DE5S4M			03
-204	V2330500	Diode	DE5S4M			03
D205	WB880800	Diode	10EDA40-TA2B5 52			01
D206	V5597600	Diode	RB160L-40 TE25			01
D207	V2330500	Diode	DE5S4M			03
-210	V2330500	Diode	DE5S4M			03
D211	WB880800	Diode	10EDA40-TA2B5 52			01
D212	V5597600	Diode	RB160L-40 TE25			01
D213	V2330500	Diode	DE5S4M			03
-217	V2330500	Diode	DE5S4M			03
D218	WB880800	Diode	10EDA40-TA2B5 52			01
-225	WB880800	Diode	10EDA40-TA2B5 52			01
D227	V5597600	Diode	RB160L-40 TE25			01
-231	V5597600	Diode	RB160L-40 TE25			01
D232	V5201100	Diode	D1F60			01
EM201	VD542700	LC Filter	DSS6NF31C223O93A			01
EM202	WA049400	LC Filter	DSS6NE32A222O93A			01
EM203	VD542700	LC Filter	DSS6NF31C223O93A			01
-210	VD542700	LC Filter	DSS6NF31C223O93A			01
F201	WC423800	Fuse	T H 2.00A US 250V			01
-210	WC423800	Fuse	T H 2.00A US 250V			01
IC201	X5090A00	IC	PQ1CY10322P	DC-DC CONVERTER		08
IC202	X2789A00	IC	LM2678SX-ADJ	DC-DC CONVERTER		08
-204	X2789A00	IC	LM2678SX-ADJ	DC-DC CONVERTER		08
IC205	X5091A00	IC	LM1085IT-ADJ	REGULATOR		08
IC206	X4368A00	IC	NJM78M20DL1A(TE1)	REGULATOR +20V		03
IC207	X2790A00	IC	LM2596SX-ADJ	DC-DC CONVERTER		06
IC208	X4364A00	IC	LM2592HVSX-ADJ	DC-DC CONVERTER		06
IC209	X4364A00	IC	LM2592HVSX-ADJ	DC-DC CONVERTER		06
IC210	X2790A00	IC	LM2596SX-ADJ	DC-DC CONVERTER		06
IC211	X2789A00	IC	LM2678SX-ADJ	DC-DC CONVERTER		08
IC212	XD854A00	IC	NJM7915FA	REGULATOR -15V		03
IC213	XD854A00	IC	NJM7915FA	REGULATOR -15V		03
IC214	XK309A00	IC	NJM7905FA	REGULATOR -5V		03
IC215	XK309A00	IC	NJM7905FA	REGULATOR -5V		03
IC216	XM967A00	IC	UPC24A05HF	REGULATOR +5V		05
L201	WC218600	Coil	RCR1616-101K 100uH			01
L202	WC218200	Coil	RCR1616-150M 15uH			01
L203	WC218200	Coil	RCR1616-150M 15uH			01
L204	WC218300	Coil	RCR1616-220M 22uH			01
L205	WC218400	Coil	RCR1616-330M 33uH			01
-208	WC218400	Coil	RCR1616-330M 33uH			01
L209	WC218500	Coil	RCR1616-470M 47uH			01
R201	RD256510	Carbon Resistor (chip)	5.1K 0.1 J			01
R202	RD256510	Carbon Resistor (chip)	5.1K 0.1 J			01
R203	V1198400	Metal Film Resistor (chip)	27.0K 1/10 D			01
R204	V1196400	Metal Film Resistor (chip)	3.9K 1/10 D			01
R205	V1198400	Metal Film Resistor (chip)	27.0K 1/10 D			01
R206	V1196400	Metal Film Resistor (chip)	3.9K 1/10 D			01
R207	V1198400	Metal Film Resistor (chip)	27.0K 1/10 D			01
R208	V1196400	Metal Film Resistor (chip)	3.9K 1/10 D			01
R209	RD257620	Carbon Resistor (chip)	62.0K 0.1 J			01
R211	V1194900	Metal Film Resistor (chip)	1.0K 1/10 D			01
R212	V1194900	Metal Film Resistor (chip)	1.0K 1/10 D			01
R214	RD257120	Carbon Resistor (chip)	12.0K 0.1 J			01
R216	RD257120	Carbon Resistor (chip)	12.0K 0.1 J			01
R218	RD257120	Carbon Resistor (chip)	12.0K 0.1 J			01
R219	V1194900	Metal Film Resistor (chip)	1.0K 1/10 D			01
R220	V1194900	Metal Film Resistor (chip)	1.0K 1/10 D			01
R221	V1197600	Metal Film Resistor (chip)	12.0K 1/10 D			01
R222	V1195500	Metal Film Resistor (chip)	1.8K 1/10 D			01
R223	V1195500	Metal Film Resistor (chip)	1.8K 1/10 D			01
R224	V1196100	Metal Film Resistor (chip)	3.3K 1/10 D			01
R226	RD256330	Carbon Resistor (chip)	3.3K 0.1 J			01
R227	RD256330	Carbon Resistor (chip)	3.3K 0.1 J			01
R228	RD256470	Carbon Resistor (chip)	4.7K 0.1 J			01
R229	HF757100	Carbon Resistor	10.0K 1/4 J			01



*: New Parts

RANK: J apan only

REF NO.	PART NO.	DESCRIPTION	REMARKS	QTY	NAME
R230	VI198400	Metal Film Resistor (chip)	27.0K 1/10 D		01
R231	VI196400	Metal Film Resistor (chip)	3.9K 1/10 D		01
R232	RD256510	Carbon Resistor (chip)	5.1K 0.1 J		01
-239	RD256510	Carbon Resistor (chip)	5.1K 0.1 J		01
R241	RD257120	Carbon Resistor (chip)	12.0K 0.1 J		01
R242	VI194900	Metal Film Resistor (chip)	1.0K 1/10 D		01
R243	RD257470	Carbon Resistor (chip)	47.0K 0.1 J		01
-246	RD257470	Carbon Resistor (chip)	47.0K 0.1 J		01
R247	VI194900	Metal Film Resistor (chip)	1.0K 1/10 D		01
-250	VI194900	Metal Film Resistor (chip)	1.0K 1/10 D		01
R251	VI196500	Metal Film Resistor (chip)	4.3K 1/10 D		01
R252	HF757100	Carbon Resistor	10.0K 1/4 J		01
R253	VI197700	Metal Film Resistor (chip)	13.0K 1/10 D		01
R254	VI197700	Metal Film Resistor (chip)	13.0K 1/10 D		01
R255	VI196700	Metal Film Resistor (chip)	5.1K 1/10 D		01
R256	VI196700	Metal Film Resistor (chip)	5.1K 1/10 D		01
R262	HF757100	Carbon Resistor	10.0K 1/4 J		01
-266	HF757100	Carbon Resistor	10.0K 1/4 J		01
R267	VI194200	Metal Film Resistor (chip)	510.0 1/10 D		01
R268	VI194200	Metal Film Resistor (chip)	510.0 1/10 D		01
R269	VI194600	Metal Film Resistor (chip)	750.0 1/10 D		01
R270	RD257100	Carbon Resistor (chip)	10.0K 0.1 J		01
R271	RD257150	Carbon Resistor (chip)	15.0K 0.1 J		01
R272	RD256470	Carbon Resistor (chip)	4.7K 0.1 J		01
R273	VI195000	Metal Film Resistor (chip)	1.1K 1/10 D		01
R274	VI192500	Metal Film Resistor (chip)	100.0 1/10 D		01
* R275	WD457500	Metal Oxide Film Resistor	1.1K 2W G		01
TR201	VJ 927100	Transistor	2SC2712 Y		01
-210	VJ 927100	Transistor	2SC2712 Y		01
* ZD205	VU173100	Zener Diode	UDZS16B TE-17 16V		01
-209	VU173100	Zener Diode	UDZS16B TE-17 16V		01
* C101	WC221900	Circuit Board	CN1R	PM5D-RH (X4976B0)	01
C102	UF038100	Electrolytic Cap. (chip)	100 16V		01
-109	US145100	Ceramic Capacitor-F (chip)	0.1000 25V Z		01
-108	US145100	Ceramic Capacitor-F (chip)	0.1000 25V Z		01
CN101	VB390200	Connector Base Post	PH 6P TE		01
CN102	VI878200	Cable Holder	51048 4P TE		01
CN103	VI879000	Cable Holder	51048 12P TE		01
-105	VI879000	Cable Holder	51048 12P TE		01
CN107	VI878600	Cable Holder	51048 8P TE		01
CN108	VB390400	Connector Base Post	PH 8P TE		01
CN109	VN773600	Connector, FFC	52045 28P TE		02
-115	VN773600	Connector, FFC	52045 28P TE		02
EM101	VD542700	LC Filter	DSS6NF31C223Q93A		01
IC101	XY874A00	IC	74VHC245SJX	TRANSCEIVER	02
-106	XY874A00	IC	74VHC245SJX	TRANSCEIVER	02
IC107	XC724A00	IC	SN74HC02NSR	NOR	01
IC108	XY874A00	IC	74VHC245SJX	TRANSCEIVER	02
R101	RD354330	Carbon Resistor (chip)	33.0 63M J		01
-107	RD354330	Carbon Resistor (chip)	33.0 63M J		01
R109	RD354470	Carbon Resistor (chip)	47.0 63M J		01
-114	RD354470	Carbon Resistor (chip)	47.0 63M J		01
R115	RD350000	Carbon Resistor (chip)	0 63M J		01
R116	RD354470	Carbon Resistor (chip)	47.0 63M J		01
-122	RD354470	Carbon Resistor (chip)	47.0 63M J		01
R123	RD350000	Carbon Resistor (chip)	0 63M J		01
R124	RD355100	Carbon Resistor (chip)	100.0 63M J		01
-151	RD355100	Carbon Resistor (chip)	100.0 63M J		01
R152	RD354470	Carbon Resistor (chip)	47.0 63M J		01
RA101	RE047100	Resistor Array	10KX4		01
-107	RE047100	Resistor Array	10KX4		01
W101	WB383400	Jumper Wire	FVP=2.0C26SB12-300		4
W102	--	Jumper Wire	FVP=2.0C26SB8-300	(WC54000)	
W103	--	Jumper Wire	FVP=2.0C26SB4-320	(WC54010)	
* C001	WA770600	Circuit Board	DA1	(X4169B0)	01
C002	V7539800	Cannon Angle			8
C001	UR857470	Electrolytic Cap.	47.00 35.0V		01
C002	US145100	Ceramic Capacitor-F (chip)	0.1000 25V Z		01

* New Parts

RANK: Japan only

PM5D/PM5D-RH

REF NO.	PART NO.	DESCRIPTION		REMARKS	QTY	RANK
C003	V5829200	Electrolytic Cap. (chip)	100 20V 20SG100M-T			04
-006	V5829200	Electrolytic Cap. (chip)	100 20V 20SG100M-T			04
C007	UA355100	Mylar Capacitor	0.1000 50V J			01
-009	UA355100	Mylar Capacitor	0.1000 50V J			01
C010	US145100	Ceramic Capacitor-F (chip)	0.1000 25V Z			01
C011	UF047100	Electrolytic Cap. (chip)	10 25V			01
C012	US145100	Ceramic Capacitor-F (chip)	0.1000 25V Z			01
C013	UF047100	Electrolytic Cap. (chip)	10 25V			01
C014	US145100	Ceramic Capacitor-F (chip)	0.1000 25V Z			01
C015	UF047100	Electrolytic Cap. (chip)	10 25V			01
C018	UF047100	Electrolytic Cap. (chip)	10 25V			01
C101	UU168100	Electrolytic Cap.-FW	100.00 50.0V			01
C102	UU168100	Electrolytic Cap.-FW	100.00 50.0V			01
C103	US061330	Ceramic Capacitor-CH(chip)	33P 50V J			01
C104	US061330	Ceramic Capacitor-CH(chip)	33P 50V J			01
C105	UA353330	Mylar Capacitor	3300P 50V J			01
C106	UA353160	Mylar Capacitor	1600P 50V J			01
C107	US064100	Ceramic Capacitor-B (chip)	0.0100 50V K			01
-110	US064100	Ceramic Capacitor-B (chip)	0.0100 50V K			01
C111	US061330	Ceramic Capacitor-CH(chip)	33P 50V J			01
C112	US061330	Ceramic Capacitor-CH(chip)	33P 50V J			01
C113	UU148220	Electrolytic Cap.-FW	220.00 25.0V			01
C114	UU148220	Electrolytic Cap.-FW	220.00 25.0V			01
C201	UU168100	Electrolytic Cap.-FW	100.00 50.0V			01
C202	UU168100	Electrolytic Cap.-FW	100.00 50.0V			01
C203	US061330	Ceramic Capacitor-CH(chip)	33P 50V J			01
C204	US061330	Ceramic Capacitor-CH(chip)	33P 50V J			01
C205	UA353330	Mylar Capacitor	3300P 50V J			01
C206	UA353160	Mylar Capacitor	1600P 50V J			01
C207	US064100	Ceramic Capacitor-B (chip)	0.0100 50V K			01
-210	US064100	Ceramic Capacitor-B (chip)	0.0100 50V K			01
C211	US061330	Ceramic Capacitor-CH(chip)	33P 50V J			01
C212	US061330	Ceramic Capacitor-CH(chip)	33P 50V J			01
C213	UU148220	Electrolytic Cap.-FW	220.00 25.0V			01
C214	UU148220	Electrolytic Cap.-FW	220.00 25.0V			01
C301	UU168100	Electrolytic Cap.-FW	100.00 50.0V			01
C302	UU168100	Electrolytic Cap.-FW	100.00 50.0V			01
C303	US061330	Ceramic Capacitor-CH(chip)	33P 50V J			01
C304	US061330	Ceramic Capacitor-CH(chip)	33P 50V J			01
C305	UA353330	Mylar Capacitor	3300P 50V J			01
C306	UA353160	Mylar Capacitor	1600P 50V J			01
C307	US064100	Ceramic Capacitor-B (chip)	0.0100 50V K			01
-310	US064100	Ceramic Capacitor-B (chip)	0.0100 50V K			01
C311	US061330	Ceramic Capacitor-CH(chip)	33P 50V J			01
C312	US061330	Ceramic Capacitor-CH(chip)	33P 50V J			01
C313	UU148220	Electrolytic Cap.-FW	220.00 25.0V			01
C314	UU148220	Electrolytic Cap.-FW	220.00 25.0V			01
C401	UU168100	Electrolytic Cap.-FW	100.00 50.0V			01
C402	UU168100	Electrolytic Cap.-FW	100.00 50.0V			01
C403	US061330	Ceramic Capacitor-CH(chip)	33P 50V J			01
C404	US061330	Ceramic Capacitor-CH(chip)	33P 50V J			01
C405	UA353330	Mylar Capacitor	3300P 50V J			01
C406	UA353160	Mylar Capacitor	1600P 50V J			01
C407	US064100	Ceramic Capacitor-B (chip)	0.0100 50V K			01
-410	US064100	Ceramic Capacitor-B (chip)	0.0100 50V K			01
C411	US061330	Ceramic Capacitor-CH(chip)	33P 50V J			01
C412	US061330	Ceramic Capacitor-CH(chip)	33P 50V J			01
C413	UU148220	Electrolytic Cap.-FW	220.00 25.0V			01
C414	UU148220	Electrolytic Cap.-FW	220.00 25.0V			01
C501	UU168100	Electrolytic Cap.-FW	100.00 50.0V			01
C502	UU168100	Electrolytic Cap.-FW	100.00 50.0V			01
C503	US061330	Ceramic Capacitor-CH(chip)	33P 50V J			01
C504	US061330	Ceramic Capacitor-CH(chip)	33P 50V J			01
C505	UA353330	Mylar Capacitor	3300P 50V J			01
C506	UA353160	Mylar Capacitor	1600P 50V J			01
C507	US064100	Ceramic Capacitor-B (chip)	0.0100 50V K			01
-510	US064100	Ceramic Capacitor-B (chip)	0.0100 50V K			01
C511	US061330	Ceramic Capacitor-CH(chip)	33P 50V J			01
C512	US061330	Ceramic Capacitor-CH(chip)	33P 50V J			01
C513	UU148220	Electrolytic Cap.-FW	220.00 25.0V			01

*: New Parts

RANK: Japan only

REF NO.	PART NO.	DESCRIPTION		REMARKS	QTY	NAME
C514	UU148220	Electrolytic Cap.-FW	220.00 25.0V			01
C601	UU168100	Electrolytic Cap.-FW	100.00 50.0V			01
C602	UU168100	Electrolytic Cap.-FW	100.00 50.0V			01
C603	US061330	Ceramic Capacitor-CH(chip)	33P 50V J			01
C604	US061330	Ceramic Capacitor-CH(chip)	33P 50V J			01
C605	UA353330	Mylar Capacitor	3300P 50V J			01
C606	UA353160	Mylar Capacitor	1600P 50V J			01
C607	US064100	Ceramic Capacitor-B (chip)	0.0100 50V K			01
-610	US064100	Ceramic Capacitor-B (chip)	0.0100 50V K			01
C611	US061330	Ceramic Capacitor-CH(chip)	33P 50V J			01
C612	US061330	Ceramic Capacitor-CH(chip)	33P 50V J			01
C613	UU148220	Electrolytic Cap.-FW	220.00 25.0V			01
C614	UU148220	Electrolytic Cap.-FW	220.00 25.0V			01
C701	UU168100	Electrolytic Cap.-FW	100.00 50.0V			01
C702	UU168100	Electrolytic Cap.-FW	100.00 50.0V			01
C703	US061330	Ceramic Capacitor-CH(chip)	33P 50V J			01
C704	US061330	Ceramic Capacitor-CH(chip)	33P 50V J			01
C705	UA353330	Mylar Capacitor	3300P 50V J			01
C706	UA353160	Mylar Capacitor	1600P 50V J			01
C707	US064100	Ceramic Capacitor-B (chip)	0.0100 50V K			01
-710	US064100	Ceramic Capacitor B (chip)	0.0100 50V K			01
C711	US061330	Ceramic Capacitor-CH(chip)	33P 50V J			01
C712	US061330	Ceramic Capacitor-CH(chip)	33P 50V J			01
C713	UU148220	Electrolytic Cap.-FW	220.00 25.0V			01
C714	UU148220	Electrolytic Cap.-FW	220.00 25.0V			01
C801	UU168100	Electrolytic Cap.-FW	100.00 50.0V			01
C802	UU168100	Electrolytic Cap.-FW	100.00 50.0V			01
C803	US061330	Ceramic Capacitor-CH(chip)	33P 50V J			01
C804	US061330	Ceramic Capacitor-CH(chip)	33P 50V J			01
C805	UA353330	Mylar Capacitor	3300P 50V J			01
C806	UA353160	Mylar Capacitor	1600P 50V J			01
C807	US064100	Ceramic Capacitor-B (chip)	0.0100 50V K			01
-810	US064100	Ceramic Capacitor-B (chip)	0.0100 50V K			01
C811	US061330	Ceramic Capacitor-CH(chip)	33P 50V J			01
C812	US061330	Ceramic Capacitor-CH(chip)	33P 50V J			01
C813	UU148220	Electrolytic Cap.-FW	220.00 25.0V			01
C814	UU148220	Electrolytic Cap.-FW	220.00 25.0V			01
C900	US145100	Ceramic Capacitor-F (chip)	0.1000 25V Z			01
-902	US145100	Ceramic Capacitor-F (chip)	0.1000 25V Z			01
C903	WC214000	Electrolytic Cap. (chip)	10 25V 25SP10			03
C904	US145100	Ceramic Capacitor-F (chip)	0.1000 25V Z			01
-906	US145100	Ceramic Capacitor-F (chip)	0.1000 25V Z			01
C907	UU167100	Electrolytic Cap.-FW	10.00 50.0V			01
C908	US145100	Ceramic Capacitor-F (chip)	0.1000 25V Z			01
C909	US145100	Ceramic Capacitor-F (chip)	0.1000 25V Z			01
C910	WC214000	Electrolytic Cap. (chip)	10 25V 25SP10			03
C911	UU167100	Electrolytic Cap.-FW	10.00 50.0V			01
C912	WC214000	Electrolytic Cap. (chip)	10 25V 25SP10			03
C913	US145100	Ceramic Capacitor-F (chip)	0.1000 25V Z			01
-915	US145100	Ceramic Capacitor-F (chip)	0.1000 25V Z			01
C916	UU167100	Electrolytic Cap.-FW	10.00 50.0V			01
C917	US145100	Ceramic Capacitor-F (chip)	0.1000 25V Z			01
C918	US145100	Ceramic Capacitor-F (chip)	0.1000 25V Z			01
C919	WC214000	Electrolytic Cap. (chip)	10 25V 25SP10			03
C920	UU167100	Electrolytic Cap.-FW	10.00 50.0V			01
C921	WC214000	Electrolytic Cap. (chip)	10 25V 25SP10			03
C922	US145100	Ceramic Capacitor-F (chip)	0.1000 25V Z			01
-924	US145100	Ceramic Capacitor-F (chip)	0.1000 25V Z			01
C925	UU167100	Electrolytic Cap.-FW	10.00 50.0V			01
C926	US145100	Ceramic Capacitor-F (chip)	0.1000 25V Z			01
C927	US145100	Ceramic Capacitor-F (chip)	0.1000 25V Z			01
C928	WC214000	Electrolytic Cap. (chip)	10 25V 25SP10			03
C929	UU167100	Electrolytic Cap.-FW	10.00 50.0V			01
C930	WC214000	Electrolytic Cap. (chip)	10 25V 25SP10			03
C931	US145100	Ceramic Capacitor-F (chip)	0.1000 25V Z			01
-933	US145100	Ceramic Capacitor-F (chip)	0.1000 25V Z			01
C934	UU167100	Electrolytic Cap.-FW	10.00 50.0V			01
C935	US145100	Ceramic Capacitor-F (chip)	0.1000 25V Z			01
C936	US145100	Ceramic Capacitor-F (chip)	0.1000 25V Z			01
C937	WC214000	Electrolytic Cap. (chip)	10 25V 25SP10			03

* New Parts

RANK: Japan only

PM5D/PM5D-RH

REF NO.	PART NO.	DESCRIPTION	REMARKS	QTY	RANK
C938	UU167100	Electrolytic Cap.-FW	10.00 50.0V		01
C939	US135220	Ceramic Capacitor-F (chip)	0.2200 16V Z		01
-942	US135220	Ceramic Capacitor-F (chip)	0.2200 16V Z		01
C943	FG651330	Ceramic Capacitor-SL	33P 50V J		01
CN001	VH904200	Connector Base Post	PH 14P SE		01
CN002	VH904200	Connector Base Post	PH 14P SE		01
CN901	VK027000	Wire Trap	52151 11P SE		02
CN902	VK027000	Wire Trap	52151 11P SE		02
CN903	VK026700	Wire Trap	52151 8P SE		01
D001	WB880900	Diode	10EDA40-TA182 26		01
-004	WB880900	Diode	10EDA40-TA182 26		01
D005	V4607200	Diode	1FWJ43N		01
-010	V4607200	Diode	1FWJ43N		01
EM001	WA049400	LC Filter	DSS6NE32A2220Q93A		01
EM005	VD542700	LC Filter	DSS6NF31C2230Q93A		01
EM101	VI243100	LC Filter	DSS6NB32A271Q93A		01
EM102	VI243100	LC Filter	DSS6NB32A271Q93A		01
EM201	VI243100	LC Filter	DSS6NB32A271Q93A		01
EM202	VI243100	LC Filter	DSS6NB32A271Q93A		01
EM301	VI243100	LC Filter	DSS6NB32A271Q93A		01
EM302	VI243100	LC Filter	DSS6NB32A271Q93A		01
EM303	VI243100	LC Filter	DSS6NB32A271Q93A		01
EM401	VI243100	LC Filter	DSS6NB32A271Q93A		01
EM402	VI243100	LC Filter	DSS6NB32A271Q93A		01
EM501	VI243100	LC Filter	DSS6NB32A271Q93A		01
EM502	VI243100	LC Filter	DSS6NB32A271Q93A		01
EM601	VI243100	LC Filter	DSS6NB32A271Q93A		01
EM602	VI243100	LC Filter	DSS6NB32A271Q93A		01
EM701	VI243100	LC Filter	DSS6NB32A271Q93A		01
EM702	VI243100	LC Filter	DSS6NB32A271Q93A		01
EM801	VI243100	LC Filter	DSS6NB32A271Q93A		01
EM802	VI243100	LC Filter	DSS6NB32A271Q93A		01
IC001	X4365A00	IC	LM2940CSX-15	REGULATOR +15V	
IC002	X3949A00	IC	LM2990SX-15	REGULATOR -15V	06
IC003	XW674A00	IC	NJM7805DL 1A(TE1)	REGULATOR +5V	02
IC101	XF291A00	IC	UPC4570G2	OP AMP	03
IC102	XP844A00	IC	NJM4556AL	OP AMP	02
IC201	XF291A00	IC	UPC4570G2	OP AMP	03
IC202	XP844A00	IC	NJM4556AL	OP AMP	02
IC301	XF291A00	IC	UPC4570G2	OP AMP	03
IC302	XP844A00	IC	NJM4556AL	OP AMP	02
IC401	XF291A00	IC	UPC4570G2	OP AMP	03
IC402	XP844A00	IC	NJM4556AL	OP AMP	02
IC501	XF291A00	IC	UPC4570G2	OP AMP	03
IC502	XP844A00	IC	NJM4556AL	OP AMP	02
IC601	XF291A00	IC	UPC4570G2	OP AMP	03
IC602	XP844A00	IC	NJM4556AL	OP AMP	02
IC701	XF291A00	IC	UPC4570G2	OP AMP	03
IC702	XP844A00	IC	NJM4556AL	OP AMP	02
IC801	XF291A00	IC	UPC4570G2	OP AMP	03
IC802	XP844A00	IC	NJM4556AL	OP AMP	02
IC900	XM182A00	IC	TC7504F	INVERTER	01
IC901	XD838A00	IC	SN74HC245NSR	TRANSCEIVER	04
IC902	XD838A00	IC	SN74HC245NSR	TRANSCEIVER	04
IC903	XW029A00	IC	AK4393VF-E2	DAC	07
-906	XW029A00	IC	AK4393VF-E2	DAC	07
IC907	XJ 598A00	IC	NJM78L05UA	REGULATOR +5V	02
-910	XJ 598A00	IC	NJM78L05UA	REGULATOR +5V	02
JK101	VS133700	Cannon Connector	NC3MAH	MIX OUT 1/8/17, MATRIX OUT 1	04
JK201	VS133700	Cannon Connector	NC3MAH	MIX OUT 2/10/18, MATRIX OUT 2	04
JK301	VS133700	Cannon Connector	NC3MAH	MIX OUT 3/11/19, MATRIX OUT 3	04
JK401	VS133700	Cannon Connector	NC3MAH	MIX OUT 4/12/20, MATRIX OUT 4	04
JK501	VS133700	Cannon Connector	NC3MAH	MIX OUT 5/13/21, MATRIX OUT 5	04
JK601	VS133700	Cannon Connector	NC3MAH	MIX OUT 6/14/22, MATRIX OUT 6	04
JK701	VS133700	Cannon Connector	NC3MAH	MIX OUT 7/15/23,	04

*: New Parts

RANK: Japan only

REF NO.	PART NO.	DESCRIPTION		REMARKS	QTY	RANK
JK801	VS133700	Cannon Connector	NC3MAH	MATRIX OUT 7 MIX OUT 8/16/24, MATRIX OUT 8		04
R001	RD256100	Carbon Resistor (chip)	1.0K 0.1 J			01
R002	RD257100	Carbon Resistor (chip)	10.0K 0.1 J			01
R003	RD257100	Carbon Resistor (chip)	10.0K 0.1 J			01
R004	RD258100	Carbon Resistor (chip)	100.0K 0.1 J			01
R005	HF456220	Carbon Resistor	2.2K 1/4 J			01
R006	HF456220	Carbon Resistor	2.2K 1/4 J			01
R007	HF457100	Carbon Resistor	10.0K 1/4 J			01
R008	RD258100	Carbon Resistor (chip)	100.0K 0.1 J			01
R009	RD257100	Carbon Resistor (chip)	10.0K 0.1 J			01
R010	HF456470	Carbon Resistor	4.7K 1/4 J			01
R011	RD258100	Carbon Resistor (chip)	100.0K 0.1 J			01
* R101	HB026300	Metal Film Resistor	3.0K 1/4 F			
* R102	HB026300	Metal Film Resistor	3.0K 1/4 F			
R104	HB026680	Metal Film Resistor	6.8K 1/4 F			01
R105	HB026680	Metal Film Resistor	6.8K 1/4 F			01
R107	HB026100	Metal Film Resistor	1.0K 1/4 F			01
R108	HB026100	Metal Film Resistor	1.0K 1/4 F			01
R109	HF454390	Carbon Resistor	39.0 1/4 J			01
R110	RD258100	Carbon Resistor (chip)	100.0K 0.1 J			01
R111	HB027100	Metal Film Resistor	10.0K 1/4 F			
R112	HB027100	Metal Film Resistor	10.0K 1/4 F			
R113	HB027110	Metal Film Resistor	11.0K 1/4 F			01
R114	HB027100	Metal Film Resistor	10.0K 1/4 F			
R115	HB027200	Metal Film Resistor	20.0K 1/4 F			
R116	HB027200	Metal Film Resistor	20.0K 1/4 F			
R117	HB027180	Metal Film Resistor	18.0K 1/4 F			01
R118	HB027180	Metal Film Resistor	18.0K 1/4 F			01
R119	HF454750	Carbon Resistor	75.0 1/4 J			01
R120	HF454750	Carbon Resistor	75.0 1/4 J			01
R121	RD258100	Carbon Resistor (chip)	100.0K 0.1 J			01
R122	RD258100	Carbon Resistor (chip)	100.0K 0.1 J			01
R123	RD257100	Carbon Resistor (chip)	10.0K 0.1 J			01
R124	RD257100	Carbon Resistor (chip)	10.0K 0.1 J			01
* R125	HB026300	Metal Film Resistor	3.0K 1/4 F			
* R126	HB026300	Metal Film Resistor	3.0K 1/4 F			
R127	HB024820	Metal Film Resistor	82.0 1/4 F			01
* R201	HB026300	Metal Film Resistor	3.0K 1/4 F			
* R202	HB026300	Metal Film Resistor	3.0K 1/4 F			
R204	HB026680	Metal Film Resistor	6.8K 1/4 F			01
R205	HB026680	Metal Film Resistor	6.8K 1/4 F			01
R207	HB026100	Metal Film Resistor	1.0K 1/4 F			01
R208	HB026100	Metal Film Resistor	1.0K 1/4 F			01
R209	HF454390	Carbon Resistor	39.0 1/4 J			01
R210	RD258100	Carbon Resistor (chip)	100.0K 0.1 J			01
R211	HB027100	Metal Film Resistor	10.0K 1/4 F			
R212	HB027100	Metal Film Resistor	10.0K 1/4 F			
R213	HB027110	Metal Film Resistor	11.0K 1/4 F			01
R214	HB027100	Metal Film Resistor	10.0K 1/4 F			
R215	HB027200	Metal Film Resistor	20.0K 1/4 F			
R216	HB027200	Metal Film Resistor	20.0K 1/4 F			
R217	HB027180	Metal Film Resistor	18.0K 1/4 F			01
R218	HB027180	Metal Film Resistor	18.0K 1/4 F			01
R219	HF454750	Carbon Resistor	75.0 1/4 J			01
R220	HF454750	Carbon Resistor	75.0 1/4 J			01
R221	RD258100	Carbon Resistor (chip)	100.0K 0.1 J			01
R222	RD258100	Carbon Resistor (chip)	100.0K 0.1 J			01
R223	RD257100	Carbon Resistor (chip)	10.0K 0.1 J			01
R224	RD257100	Carbon Resistor (chip)	10.0K 0.1 J			01
* R225	HB026300	Metal Film Resistor	3.0K 1/4 F			
* R226	HB026300	Metal Film Resistor	3.0K 1/4 F			
R227	HB024820	Metal Film Resistor	82.0 1/4 F			01
* R301	HB026300	Metal Film Resistor	3.0K 1/4 F			
* R302	HB026300	Metal Film Resistor	3.0K 1/4 F			
R304	HB026680	Metal Film Resistor	6.8K 1/4 F			01
R305	HB026680	Metal Film Resistor	6.8K 1/4 F			01
R307	HB026100	Metal Film Resistor	1.0K 1/4 F			01
R308	HB026100	Metal Film Resistor	1.0K 1/4 F			01

* New Parts

RANK: Japan only

REF NO.	PART NO.	DESCRIPTION	REMARKS	QTY	RANK
R309	HF454390	Carbon Resistor	39.0 1/4 J		01
R310	RD258100	Carbon Resistor (chip)	100.0K 0.1 J		01
R311	HB027100	Metal Film Resistor	10.0K 1/4 F		
R312	HB027100	Metal Film Resistor	10.0K 1/4 F		
R313	HB027110	Metal Film Resistor	11.0K 1/4 F		01
R314	HB027100	Metal Film Resistor	10.0K 1/4 F		
R315	HB027200	Metal Film Resistor	20.0K 1/4 F		
R316	HB027200	Metal Film Resistor	20.0K 1/4 F		
R317	HB027180	Metal Film Resistor	18.0K 1/4 F		01
R318	HB027180	Metal Film Resistor	18.0K 1/4 F		01
R319	HF454750	Carbon Resistor	75.0 1/4 J		01
R320	HF454750	Carbon Resistor	75.0 1/4 J		01
R321	RD258100	Carbon Resistor (chip)	100.0K 0.1 J		01
R322	RD258100	Carbon Resistor (chip)	100.0K 0.1 J		01
R323	RD257100	Carbon Resistor (chip)	10.0K 0.1 J		01
R324	RD257100	Carbon Resistor (chip)	10.0K 0.1 J		01
R325	HB026300	Metal Film Resistor	3.0K 1/4 F		
R326	HB026300	Metal Film Resistor	3.0K 1/4 F		
R327	HB024820	Metal Film Resistor	82.0 1/4 F		01
R401	HB026300	Metal Film Resistor	3.0K 1/4 F		
R402	HB026300	Metal Film Resistor	3.0K 1/4 F		
R404	HB026680	Metal Film Resistor	6.8K 1/4 F		01
R405	HB026680	Metal Film Resistor	6.8K 1/4 F		01
R407	HB026100	Metal Film Resistor	1.0K 1/4 F		01
R408	HB026100	Metal Film Resistor	1.0K 1/4 F		01
R409	HF454390	Carbon Resistor	39.0 1/4 J		01
R410	RD258100	Carbon Resistor (chip)	100.0K 0.1 J		01
R411	HB027100	Metal Film Resistor	10.0K 1/4 F		
R412	HB027100	Metal Film Resistor	10.0K 1/4 F		
R413	HB027110	Metal Film Resistor	11.0K 1/4 F		01
R414	HB027100	Metal Film Resistor	10.0K 1/4 F		
R415	HB027200	Metal Film Resistor	20.0K 1/4 F		
R416	HB027200	Metal Film Resistor	20.0K 1/4 F		
R417	HB027180	Metal Film Resistor	18.0K 1/4 F		01
R418	HB027180	Metal Film Resistor	18.0K 1/4 F		01
R419	HF454750	Carbon Resistor	75.0 1/4 J		01
R420	HF454750	Carbon Resistor	75.0 1/4 J		01
R421	RD258100	Carbon Resistor (chip)	100.0K 0.1 J		01
R422	RD258100	Carbon Resistor (chip)	100.0K 0.1 J		01
R423	RD257100	Carbon Resistor (chip)	10.0K 0.1 J		01
R424	RD257100	Carbon Resistor (chip)	10.0K 0.1 J		01
R425	HB026300	Metal Film Resistor	3.0K 1/4 F		
R426	HB026300	Metal Film Resistor	3.0K 1/4 F		
R427	HB024820	Metal Film Resistor	82.0 1/4 F		01
R501	HB026300	Metal Film Resistor	3.0K 1/4 F		
R502	HB026300	Metal Film Resistor	3.0K 1/4 F		
R504	HB026680	Metal Film Resistor	6.8K 1/4 F		01
R505	HB026680	Metal Film Resistor	6.8K 1/4 F		01
R507	HB026100	Metal Film Resistor	1.0K 1/4 F		01
R506	HB026100	Metal Film Resistor	1.0K 1/4 F		01
R509	HF454390	Carbon Resistor	39.0 1/4 J		01
R510	RD258100	Carbon Resistor (chip)	100.0K 0.1 J		01
R511	HB027100	Metal Film Resistor	10.0K 1/4 F		
R512	HB027100	Metal Film Resistor	10.0K 1/4 F		
R513	HB027110	Metal Film Resistor	11.0K 1/4 F		01
R514	HB027100	Metal Film Resistor	10.0K 1/4 F		
R515	HB027200	Metal Film Resistor	20.0K 1/4 F		
R516	HB027200	Metal Film Resistor	20.0K 1/4 F		
R517	HB027180	Metal Film Resistor	18.0K 1/4 F		01
R518	HB027180	Metal Film Resistor	18.0K 1/4 F		01
R519	HF454750	Carbon Resistor	75.0 1/4 J		01
R520	HF454750	Carbon Resistor	75.0 1/4 J		01
R521	RD258100	Carbon Resistor (chip)	100.0K 0.1 J		01
R522	RD258100	Carbon Resistor (chip)	100.0K 0.1 J		01
R523	RD257100	Carbon Resistor (chip)	10.0K 0.1 J		01
R524	RD257100	Carbon Resistor (chip)	10.0K 0.1 J		01
R525	HB026300	Metal Film Resistor	3.0K 1/4 F		
R526	HB026300	Metal Film Resistor	3.0K 1/4 F		
R527	HB024820	Metal Film Resistor	82.0 1/4 F		01
R601	HB026300	Metal Film Resistor	3.0K 1/4 F		

* : New Parts

RANK: Japan only

REF NO.	PART NO.	DESCRIPTION	REMARKS	QTY	RANK
* R602	HB026300	Metal Film Resistor	3.0K 1/4 F		
R604	HB026680	Metal Film Resistor	6.8K 1/4 F		01
R605	HB026680	Metal Film Resistor	6.8K 1/4 F		01
R607	HB026100	Metal Film Resistor	1.0K 1/4 F		01
R608	HB026100	Metal Film Resistor	1.0K 1/4 F		01
R609	HF454390	Carbon Resistor	39.0 1/4 J		01
R610	RD258100	Carbon Resistor (chip)	100.0K 0.1 J		01
R611	HB027100	Metal Film Resistor	10.0K 1/4 F		
R612	HB027100	Metal Film Resistor	10.0K 1/4 F		
R613	HB027110	Metal Film Resistor	11.0K 1/4 F		01
R614	HB027100	Metal Film Resistor	10.0K 1/4 F		
R615	HB027200	Metal Film Resistor	20.0K 1/4 F		
R616	HB027200	Metal Film Resistor	20.0K 1/4 F		
R617	HB027180	Metal Film Resistor	18.0K 1/4 F		01
R618	HB027180	Metal Film Resistor	18.0K 1/4 F		01
R619	HF454750	Carbon Resistor	75.0 1/4 J		01
R620	HF454750	Carbon Resistor	75.0 1/4 J		01
R621	RD258100	Carbon Resistor (chip)	100.0K 0.1 J		01
R622	RD258100	Carbon Resistor (chip)	100.0K 0.1 J		01
R623	RD257100	Carbon Resistor (chip)	10.0K 0.1 J		01
R624	RD257100	Carbon Resistor (chip)	10.0K 0.1 J		01
* R625	HB026300	Metal Film Resistor	3.0K 1/4 F		
* R626	HB026300	Metal Film Resistor	3.0K 1/4 F		
R627	HB024820	Metal Film Resistor	82.0 1/4 F		01
* R701	HB026300	Metal Film Resistor	3.0K 1/4 F		
* R702	HB026300	Metal Film Resistor	3.0K 1/4 F		
R704	HB026680	Metal Film Resistor	6.8K 1/4 F		01
R705	HB026680	Metal Film Resistor	6.8K 1/4 F		01
R707	HB026100	Metal Film Resistor	1.0K 1/4 F		01
R708	HB026100	Metal Film Resistor	1.0K 1/4 F		01
R709	HF454390	Carbon Resistor	39.0 1/4 J		01
R710	RD258100	Carbon Resistor (chip)	100.0K 0.1 J		01
R711	HB027100	Metal Film Resistor	10.0K 1/4 F		
R712	HB027100	Metal Film Resistor	10.0K 1/4 F		
R713	HB027110	Metal Film Resistor	11.0K 1/4 F		01
R714	HB027100	Metal Film Resistor	10.0K 1/4 F		
R715	HB027200	Metal Film Resistor	20.0K 1/4 F		
R716	HB027200	Metal Film Resistor	20.0K 1/4 F		
R717	HB027180	Metal Film Resistor	18.0K 1/4 F		01
R718	HB027180	Metal Film Resistor	18.0K 1/4 F		01
R719	HF454750	Carbon Resistor	75.0 1/4 J		01
R720	HF454750	Carbon Resistor	75.0 1/4 J		01
R721	RD258100	Carbon Resistor (chip)	100.0K 0.1 J		01
R722	RD258100	Carbon Resistor (chip)	100.0K 0.1 J		01
R723	RD257100	Carbon Resistor (chip)	10.0K 0.1 J		01
R724	RD257100	Carbon Resistor (chip)	10.0K 0.1 J		01
* R725	HB026300	Metal Film Resistor	3.0K 1/4 F		
* R726	HB026300	Metal Film Resistor	3.0K 1/4 F		
R727	HB024820	Metal Film Resistor	82.0 1/4 F		01
* R801	HB026300	Metal Film Resistor	3.0K 1/4 F		
* R802	HB026300	Metal Film Resistor	3.0K 1/4 F		
R804	HB026680	Metal Film Resistor	6.8K 1/4 F		01
R805	HB026680	Metal Film Resistor	6.8K 1/4 F		01
R807	HB026100	Metal Film Resistor	1.0K 1/4 F		01
R808	HB026100	Metal Film Resistor	1.0K 1/4 F		01
R809	HF454390	Carbon Resistor	39.0 1/4 J		01
R810	RD258100	Carbon Resistor (chip)	100.0K 0.1 J		01
R811	HB027100	Metal Film Resistor	10.0K 1/4 F		
R812	HB027100	Metal Film Resistor	10.0K 1/4 F		
R813	HB027110	Metal Film Resistor	11.0K 1/4 F		01
R814	HB027100	Metal Film Resistor	10.0K 1/4 F		
R815	HB027200	Metal Film Resistor	20.0K 1/4 F		
R816	HB027200	Metal Film Resistor	20.0K 1/4 F		
R817	HB027180	Metal Film Resistor	18.0K 1/4 F		01
R818	HB027180	Metal Film Resistor	18.0K 1/4 F		01
R819	HF454750	Carbon Resistor	75.0 1/4 J		01
R820	HF454750	Carbon Resistor	75.0 1/4 J		01
R821	RD258100	Carbon Resistor (chip)	100.0K 0.1 J		01
R822	RD258100	Carbon Resistor (chip)	100.0K 0.1 J		01
R823	RD257100	Carbon Resistor (chip)	10.0K 0.1 J		01

* New Parts

RANK: Japan only

PM5D/PM5D-RH

REF NO.	PART NO.	DESCRIPTION		REMARKS	QTY	RANK
R824	RD257100	Carbon Resistor (chip)	10.0K 0.1 J			01
* R825	HB026300	Metal Film Resistor	3.0K 1/4 F			01
* R826	HB026300	Metal Film Resistor	3.0K 1/4 F			01
R827	HB024820	Metal Film Resistor	82.0 1/4 F			01
R901	RD255100	Carbon Resistor (chip)	100.0 0.1 J			01
-910	RD255100	Carbon Resistor (chip)	100.0 0.1 J			01
R911	RD258100	Carbon Resistor (chip)	100.0K 0.1 J			01
R912	RD258100	Carbon Resistor (chip)	100.0K 0.1 J			01
R913	RD255100	Carbon Resistor (chip)	100.0 0.1 J			01
-918	RD255100	Carbon Resistor (chip)	100.0 0.1 J			01
SW101	VN316300	Slide Switch	SSSS2-22-01	+18dB → +24dB		02
SW201	VN316300	Slide Switch	SSSS2-22-01	+18dB → +24dB		02
SW301	VN316300	Slide Switch	SSSS2-22-01	+18dB → +24dB		02
SW401	VN316300	Slide Switch	SSSS2-22-01	+18dB → +24dB		02
SW501	VN316300	Slide Switch	SSSS2-22-01	+18dB → +24dB		02
SW601	VN316300	Slide Switch	SSSS2-22-01	+18dB → +24dB		02
SW701	VN316300	Slide Switch	SSSS2-22-01	+18dB → +24dB		02
SW801	VN316300	Slide Switch	SSSS2-22-01	+18dB → +24dB		02
TR001	VJ 927100	Transistor	2SC2712 Y			01
TR002	VJ 927100	Transistor	2SC2712 Y			01
TR003	VQ395600	Transistor	2SA1052 B,C			01
TR004	VG013300	Transistor	2SB1132 82-390			01
TR101	VK432900	Transistor	2SD1915(F) S,T			01
TR102	VK432900	Transistor	2SD1915(F) S,T			01
TR201	VK432900	Transistor	2SD1915(F) S,T			01
TR202	VK432900	Transistor	2SD1915(F) S,T			01
TR301	VK432900	Transistor	2SD1915(F) S,T			01
TR302	VK432900	Transistor	2SD1915(F) S,T			01
TR401	VK432900	Transistor	2SD1915(F) S,T			01
TR402	VK432900	Transistor	2SD1915(F) S,T			01
TR501	VK432900	Transistor	2SD1915(F) S,T			01
TR502	VK432900	Transistor	2SD1915(F) S,T			01
TR601	VK432900	Transistor	2SD1915(F) S,T			01
TR602	VK432900	Transistor	2SD1915(F) S,T			01
TR701	VK432900	Transistor	2SD1915(F) S,T			01
TR702	VK432900	Transistor	2SD1915(F) S,T			01
TR801	VK432900	Transistor	2SD1915(F) S,T			01
TR802	VK432900	Transistor	2SD1915(F) S,T			01
* WA770700		Circuit Board	DA2	(X4170B0)		
10	V7539800	Cannon Angle			5	02
C001	UR857470	Electrolytic Cap.	47.00 35.0V			01
C002	US145100	Ceramic Capacitor-F (chip)	0.1000 25V Z			01
C003	V5829200	Electrolytic Cap. (chip)	100 20V 20SG100M+T			04
-008	V5829200	Electrolytic Cap. (chip)	100 20V 20SG100M+T			04
C007	UA355100	Mylar Capacitor	0.1000 50V J			01
-009	UA355100	Mylar Capacitor	0.1000 50V J			01
C010	US145100	Ceramic Capacitor-F (chip)	0.1000 25V Z			01
C011	UF047100	Electrolytic Cap. (chip)	10 25V			01
C012	US145100	Ceramic Capacitor-F (chip)	0.1000 25V Z			01
C013	UF047100	Electrolytic Cap. (chip)	10 25V			01
C014	US145100	Ceramic Capacitor-F (chip)	0.1000 25V Z			01
C015	UF047100	Electrolytic Cap. (chip)	10 25V			01
C016	UF047100	Electrolytic Cap. (chip)	10 25V			01
C100	US064100	Ceramic Capacitor-B (chip)	0.0100 50V K			01
C101	US061330	Ceramic Capacitor-CH(chip)	33P 50V J			01
C102	US061330	Ceramic Capacitor-CH(chip)	33P 50V J			01
C103	US064100	Ceramic Capacitor-B (chip)	0.0100 50V K			01
C104	US064100	Ceramic Capacitor-B (chip)	0.0100 50V K			01
C105	UA353330	Mylar Capacitor	3300P 50V J			01
C106	UA353160	Mylar Capacitor	1600P 50V J			01
C107	US064100	Ceramic Capacitor-B (chip)	0.0100 50V K			01
C108	UU167100	Electrolytic Cap.-FW	10.00 50.0V			01
C109	UU167100	Electrolytic Cap.-FW	10.00 50.0V			01
C110	US062100	Ceramic Capacitor-SL(chip)	100P 50V J			01
C111	UU148220	Electrolytic Cap.-FW	220.00 25.0V			01
C112	US064100	Ceramic Capacitor-B (chip)	0.0100 50V K			01
C113	US062100	Ceramic Capacitor-SL(chip)	100P 50V J			01
C114	US064100	Ceramic Capacitor-B (chip)	0.0100 50V K			01
C115	UU148220	Electrolytic Cap.-FW	220.00 25.0V			01

*: New Parts

RANK: J apan only

REF NO.	PART NO.	DESCRIPTION		REMARKS	QTY	RANK
C117	UU167100	Electrolytic Cap.-FW	10.00 50.0V			01
C118	US061330	Ceramic Capacitor-CH(chip)	33P 50V J			01
C119	US061330	Ceramic Capacitor-CH(chip)	33P 50V J			01
C120	UU168100	Electrolytic Cap.-FW	100.00 50.0V			01
C121	UU168100	Electrolytic Cap.-FW	100.00 50.0V			01
C200	US064100	Ceramic Capacitor-B (chip)	0.0100 50V K			01
C201	US061330	Ceramic Capacitor-CH(chip)	33P 50V J			01
C202	US061330	Ceramic Capacitor-CH(chip)	33P 50V J			01
C203	US064100	Ceramic Capacitor-B (chip)	0.0100 50V K			01
C204	UA353330	Mylar Capacitor	3300P 50V J			01
C205	UA353160	Mylar Capacitor	1600P 50V J			01
C206	UU167100	Electrolytic Cap.-FW	10.00 50.0V			01
C207	UU167100	Electrolytic Cap.-FW	10.00 50.0V			01
C208	US062100	Ceramic Capacitor-SL(chip)	100P 50V J			01
C209	UU148220	Electrolytic Cap.-FW	220.00 25.0V			01
C210	US064100	Ceramic Capacitor-B (chip)	0.0100 50V K			01
C211	US062100	Ceramic Capacitor-SL(chip)	100P 50V J			01
C212	US064100	Ceramic Capacitor-B (chip)	0.0100 50V K			01
C213	UU148220	Electrolytic Cap.-FW	220.00 25.0V			01
C215	UU167100	Electrolytic Cap.-FW	10.00 50.0V			01
C216	US061330	Ceramic Capacitor-CH(chip)	33P 50V J			01
C217	US061330	Ceramic Capacitor-CH(chip)	33P 50V J			01
C218	UU168100	Electrolytic Cap.-FW	100.00 50.0V			01
C219	UU168100	Electrolytic Cap.-FW	100.00 50.0V			01
C300	US064100	Ceramic Capacitor-B (chip)	0.0100 50V K			01
C301	US061330	Ceramic Capacitor-CH(chip)	33P 50V J			01
C302	US061330	Ceramic Capacitor-CH(chip)	33P 50V J			01
C303	US064100	Ceramic Capacitor-B (chip)	0.0100 50V K			01
C304	US064100	Ceramic Capacitor-B (chip)	0.0100 50V K			01
C305	UA353330	Mylar Capacitor	3300P 50V J			01
C306	UA353160	Mylar Capacitor	1600P 50V J			01
C307	US064100	Ceramic Capacitor-B (chip)	0.0100 50V K			01
C308	UU167100	Electrolytic Cap.-FW	10.00 50.0V			01
C309	UU167100	Electrolytic Cap.-FW	10.00 50.0V			01
C310	US062100	Ceramic Capacitor-SL(chip)	100P 50V J			01
C311	UU148220	Electrolytic Cap.-FW	220.00 25.0V			01
C312	US064100	Ceramic Capacitor-B (chip)	0.0100 50V K			01
C313	US062100	Ceramic Capacitor-SL(chip)	100P 50V J			01
C314	US064100	Ceramic Capacitor-B (chip)	0.0100 50V K			01
C315	UU148220	Electrolytic Cap.-FW	220.00 25.0V			01
C317	UU167100	Electrolytic Cap.-FW	10.00 50.0V			01
C318	US061330	Ceramic Capacitor-CH(chip)	33P 50V J			01
C319	US061330	Ceramic Capacitor-CH(chip)	33P 50V J			01
C320	UU168100	Electrolytic Cap.-FW	100.00 50.0V			01
C321	UU168100	Electrolytic Cap.-FW	100.00 50.0V			01
C400	US064100	Ceramic Capacitor-B (chip)	0.0100 50V K			01
C401	US061330	Ceramic Capacitor-CH(chip)	33P 50V J			01
C402	US061330	Ceramic Capacitor-CH(chip)	33P 50V J			01
C403	US064100	Ceramic Capacitor-B (chip)	0.0100 50V K			01
C404	UA353330	Mylar Capacitor	3300P 50V J			01
C405	UA353160	Mylar Capacitor	1600P 50V J			01
C406	UU167100	Electrolytic Cap.-FW	10.00 50.0V			01
C407	UU167100	Electrolytic Cap.-FW	10.00 50.0V			01
C408	US062100	Ceramic Capacitor-SL(chip)	100P 50V J			01
C409	UU148220	Electrolytic Cap.-FW	220.00 25.0V			01
C410	US064100	Ceramic Capacitor-B (chip)	0.0100 50V K			01
C411	US062100	Ceramic Capacitor-SL(chip)	100P 50V J			01
C412	US064100	Ceramic Capacitor-B (chip)	0.0100 50V K			01
C413	UU148220	Electrolytic Cap.-FW	220.00 25.0V			01
C415	UU167100	Electrolytic Cap.-FW	10.00 50.0V			01
C416	US061330	Ceramic Capacitor-CH(chip)	33P 50V J			01
C417	US061330	Ceramic Capacitor-CH(chip)	33P 50V J			01
C418	UU168100	Electrolytic Cap.-FW	100.00 50.0V			01
C419	UU168100	Electrolytic Cap.-FW	100.00 50.0V			01
C500	US064100	Ceramic Capacitor-B (chip)	0.0100 50V K			01
C501	US061330	Ceramic Capacitor-CH(chip)	33P 50V J			01
C502	US061330	Ceramic Capacitor-CH(chip)	33P 50V J			01
C503	US064100	Ceramic Capacitor-B (chip)	0.0100 50V K			01
C504	US064100	Ceramic Capacitor-B (chip)	0.0100 50V K			01
C505	UA353330	Mylar Capacitor	3300P 50V J			01

* New Parts

RANK: Japan only

PM5D/PM5D-RH

REF NO.	PART NO.	DESCRIPTION		REMARKS	QTY	RANK
C506	UA353160	Mylar Capacitor	1800P 50V J			
C507	US064100	Ceramic Capacitor-B (chip)	0.0100 50V K			01
C508	UU167100	Electrolytic Cap.-FW	10.00 50.0V			01
C509	UU167100	Electrolytic Cap.-FW	10.00 50.0V			01
C510	US062100	Ceramic Capacitor-SL(chip)	100P 50V J			01
C511	UU148220	Electrolytic Cap.-FW	220.00 25.0V			01
C512	US064100	Ceramic Capacitor-B (chip)	0.0100 50V K			01
C513	US062100	Ceramic Capacitor-SL(chip)	100P 50V J			01
C514	US064100	Ceramic Capacitor-B (chip)	0.0100 50V K			01
C515	UU148220	Electrolytic Cap.-FW	220.00 25.0V			01
C517	UU167100	Electrolytic Cap.-FW	10.00 50.0V			01
C518	US061330	Ceramic Capacitor-CH(chip)	33P 50V J			01
C519	US061330	Ceramic Capacitor-CH(chip)	33P 50V J			01
C520	UU168100	Electrolytic Cap.-FW	100.00 50.0V			01
C521	UU168100	Electrolytic Cap.-FW	100.00 50.0V			01
C900	US145100	Ceramic Capacitor-F (chip)	0.1000 25V Z			01
-902	US145100	Ceramic Capacitor-F (chip)	0.1000 25V Z			01
C903	WC214000	Electrolytic Cap. (chip)	10 25V 25SP10			03
C904	US145100	Ceramic Capacitor-F (chip)	0.1000 25V Z			01
-906	US145100	Ceramic Capacitor-F (chip)	0.1000 25V Z			01
C907	UU167100	Electrolytic Cap.-FW	10.00 50.0V			01
C908	US145100	Ceramic Capacitor-F (chip)	0.1000 25V Z			01
C909	US145100	Ceramic Capacitor-F (chip)	0.1000 25V Z			01
C910	WC214000	Electrolytic Cap. (chip)	10 25V 25SP10			03
C911	UU167100	Electrolytic Cap.-FW	10.00 50.0V			01
C912	WC214000	Electrolytic Cap. (chip)	10 25V 25SP10			03
C913	US145100	Ceramic Capacitor-F (chip)	0.1000 25V Z			01
-915	US145100	Ceramic Capacitor-F (chip)	0.1000 25V Z			01
C916	UU167100	Electrolytic Cap.-FW	10.00 50.0V			01
C917	US145100	Ceramic Capacitor-F (chip)	0.1000 25V Z			01
C918	US145100	Ceramic Capacitor-F (chip)	0.1000 25V Z			01
C919	WC214000	Electrolytic Cap. (chip)	10 25V 25SP10			03
C920	UU167100	Electrolytic Cap.-FW	10.00 50.0V			01
C921	WC214000	Electrolytic Cap. (chip)	10 25V 25SP10			03
C922	US145100	Ceramic Capacitor-F (chip)	0.1000 25V Z			01
-924	US145100	Ceramic Capacitor-F (chip)	0.1000 25V Z			01
C925	UU167100	Electrolytic Cap.-FW	10.00 50.0V			01
C926	US145100	Ceramic Capacitor-F (chip)	0.1000 25V Z			01
C927	US145100	Ceramic Capacitor-F (chip)	0.1000 25V Z			01
C928	WC214000	Electrolytic Cap. (chip)	10 25V 25SP10			03
C929	UU167100	Electrolytic Cap.-FW	10.00 50.0V			01
C930	US064100	Ceramic Capacitor-B (chip)	0.0100 50V K			01
-932	US064100	Ceramic Capacitor-B (chip)	0.0100 50V K			01
C939	US135220	Ceramic Capacitor-F (chip)	0.2200 16V Z			01
-941	US135220	Ceramic Capacitor-F (chip)	0.2200 16V Z			01
C942	FG651330	Ceramic Capacitor-SL	33P 50V J			01
CN001	VE352600	Connector Base Post	PH 14P TE			01
CN901	VK025500	Wire Trap	52147 11P TE			01
CN903	VF728200	Wire Trap	52147 10P TE			01
CN904	VB390300	Connector Base Post	PH 7P TE			01
CN905	VB390200	Connector Base Post	PH 6P TE			01
CN906	VB389900	Connector Base Post	PH 3P TE			01
D001	WB880900	Diode	10EDA40-TA182 26			01
-004	WB880900	Diode	10EDA40-TA182 26			01
D005	V4607200	Diode	1FWJ43N			01
-010	V4607200	Diode	1FWJ43N			01
EM001	WA049400	LC Filter	DSS6NE32A222O93A			01
EM005	VD542700	LC Filter	DSS6NF31C223O93A			01
EM101	VI243100	LC Filter	DSS6NB32A271O93A			01
EM102	VI243100	LC Filter	DSS6NB32A271O93A			01
EM201	VI243100	LC Filter	DSS6NB32A271O93A			01
EM202	VI243100	LC Filter	DSS6NB32A271O93A			01
EM301	VI243100	LC Filter	DSS6NB32A271O93A			01
EM302	VI243100	LC Filter	DSS6NB32A271O93A			01
EM401	VI243100	LC Filter	DSS6NB32A271O93A			01
EM402	VI243100	LC Filter	DSS6NB32A271O93A			01
EM501	VI243100	LC Filter	DSS6NB32A271O93A			01
EM502	VI243100	LC Filter	DSS6NB32A271O93A			01
IC001	X4365A00	IC	LM2940CSX-15	REGULATOR +15V		
IC002	X3949A00	IC	LM2990SX-15	REGULATOR -15V		06

*: New Parts

RANK: Japan only

REF NO.	PART NO.	DESCRIPTION	REMARKS	QTY	RANK
IC003	XW674A00	IC	NJM7805DL1A(TE1)		02
IC101	XF291A00	IC	UPC4570G2	REGULATOR +5V	03
IC102	XF291A00	IC	UPC4570G2	OP AMP	03
IC103	XP844A00	IC	NJM4556AL	OP AMP	02
IC201	XF291A00	IC	UPC4570G2	OP AMP	03
IC203	XP844A00	IC	NJM4556AL	OP AMP	02
IC301	XF291A00	IC	UPC4570G2	OP AMP	03
IC302	XF291A00	IC	UPC4570G2	OP AMP	03
IC303	XP844A00	IC	NJM4556AL	OP AMP	02
IC401	XF291A00	IC	UPC4570G2	OP AMP	03
IC403	XP844A00	IC	NJM4556AL	OP AMP	02
IC501	XF291A00	IC	UPC4570G2	OP AMP	03
IC502	XF291A00	IC	UPC4570G2	OP AMP	03
IC503	XP844A00	IC	NJM4556AL	OP AMP	02
IC900	XM182A00	IC	TC7S04F	INVERTER	01
IC901	XD838A00	IC	SN74HC245NSR	TRANSCEIVER	04
IC902	XD838A00	IC	SN74HC245NSR	TRANSCEIVER	04
IC903	XW029A00	IC	AK4393VF-E2	DAC	07
-905	XW029A00	IC	AK4393VF-E2	DAC	07
IC907	XJ 598A00	IC	NJM78L05UA	REGULATOR +5V	02
-909	XJ 598A00	IC	NJM78L05UA	REGULATOR +5V	02
JK101	V5133700	Cannon Connector	NC3MAH	CUE OUT L	04
JK201	V5133700	Cannon Connector	NC3MAH	CUE OUT R	04
JK301	V5133700	Cannon Connector	NC3MAH	MONITOR OUT L	04
JK401	V5133700	Cannon Connector	NC3MAH	MONITOR OUT R	04
JK501	V5133700	Cannon Connector	NC3MAH	MONITOR OUT C	04
R001	RD258100	Carbon Resistor (chip)	1.0K 0.1 J		01
R002	RD257100	Carbon Resistor (chip)	10.0K 0.1 J		01
R003	RD257100	Carbon Resistor (chip)	10.0K 0.1 J		01
R004	RD258100	Carbon Resistor (chip)	100.0K 0.1 J		01
R005	HF456220	Carbon Resistor	2.2K 1/4 J		01
R006	HF456220	Carbon Resistor	2.2K 1/4 J		01
R007	HF457100	Carbon Resistor	10.0K 1/4 J		01
R008	RD258100	Carbon Resistor (chip)	100.0K 0.1 J		01
R009	RD257100	Carbon Resistor (chip)	10.0K 0.1 J		01
R010	HF456470	Carbon Resistor	4.7K 1/4 J		01
R011	RD258100	Carbon Resistor (chip)	100.0K 0.1 J		01
* R100	HB026300	Metal Film Resistor	3.0K 1/4 F		
* -103	HB026300	Metal Film Resistor	3.0K 1/4 F		
R104	HB026680	Metal Film Resistor	6.8K 1/4 F		01
R105	HB026680	Metal Film Resistor	6.8K 1/4 F		01
R106	HB026100	Metal Film Resistor	1.0K 1/4 F		01
R107	HB026100	Metal Film Resistor	1.0K 1/4 F		01
R108	HF454390	Carbon Resistor	39.0 1/4 J		01
R109	HF455220	Carbon Resistor	220.0 1/4 J		01
R110	HB027470	Metal Film Resistor	47.0K 1/4 F		01
R111	HF455220	Carbon Resistor	220.0 1/4 J		01
R112	HB026120	Metal Film Resistor	1.2K 1/4 F		01
R113	HF455100	Carbon Resistor	100.0 1/4 J		01
R115	RD258100	Carbon Resistor (chip)	100.0K 0.1 J		01
R116	HB027100	Metal Film Resistor	10.0K 1/4 F		
R117	HB027100	Metal Film Resistor	10.0K 1/4 F		
R118	HB027110	Metal Film Resistor	11.0K 1/4 F		01
R119	HB024820	Metal Film Resistor	82.0 1/4 F		01
R120	HB027100	Metal Film Resistor	10.0K 1/4 F		
R121	HB027200	Metal Film Resistor	20.0K 1/4 F		
R122	HB027200	Metal Film Resistor	20.0K 1/4 F		
R123	HB027180	Metal Film Resistor	18.0K 1/4 F		01
R124	HB027180	Metal Film Resistor	18.0K 1/4 F		01
R125	HF454750	Carbon Resistor	75.0 1/4 J		01
R126	HF454750	Carbon Resistor	75.0 1/4 J		01
R127	RD258100	Carbon Resistor (chip)	100.0K 0.1 J		01
R128	RD258100	Carbon Resistor (chip)	100.0K 0.1 J		01
R129	RD257100	Carbon Resistor (chip)	10.0K 0.1 J		01
R130	RD257100	Carbon Resistor (chip)	10.0K 0.1 J		01
* R200	HB026300	Metal Film Resistor	3.0K 1/4 F		
* -203	HB026300	Metal Film Resistor	3.0K 1/4 F		
R204	HB026680	Metal Film Resistor	6.8K 1/4 F		01
R205	HB026680	Metal Film Resistor	6.8K 1/4 F		01
R206	HB026100	Metal Film Resistor	1.0K 1/4 F		01

* New Parts

RANK: Japan only

PM5D/PM5D-RH

REF NO.	PART NO.	DESCRIPTION		REMARKS	QTY	RANK
R207	HB026100	Metal Film Resistor	1.0K 1/4 F			01
R208	HF454390	Carbon Resistor	39.0 1/4 J			01
R209	HF455220	Carbon Resistor	220.0 1/4 J			01
R210	HB027470	Metal Film Resistor	47.0K 1/4 F			01
R211	HF455220	Carbon Resistor	220.0 1/4 J			01
R212	HB026120	Metal Film Resistor	1.2K 1/4 F			01
R213	HF455100	Carbon Resistor	100.0 1/4 J			01
R215	RD258100	Carbon Resistor (chip)	100.0K 0.1 J			01
R216	HB027100	Metal Film Resistor	10.0K 1/4 F			01
R217	HB027100	Metal Film Resistor	10.0K 1/4 F			01
R218	HB027110	Metal Film Resistor	11.0K 1/4 F			01
R219	HB024820	Metal Film Resistor	82.0 1/4 F			01
R220	HB027100	Metal Film Resistor	10.0K 1/4 F			01
R221	HB027200	Metal Film Resistor	20.0K 1/4 F			01
R222	HB027200	Metal Film Resistor	20.0K 1/4 F			01
R223	HB027180	Metal Film Resistor	18.0K 1/4 F			01
R224	HB027180	Metal Film Resistor	18.0K 1/4 F			01
R225	HF454750	Carbon Resistor	75.0 1/4 J			01
R226	HF454750	Carbon Resistor	75.0 1/4 J			01
R227	RD258100	Carbon Resistor (chip)	100.0K 0.1 J			01
R228	RD258100	Carbon Resistor (chip)	100.0K 0.1 J			01
R229	RD257100	Carbon Resistor (chip)	10.0K 0.1 J			01
R230	RD257100	Carbon Resistor (chip)	10.0K 0.1 J			01
R300	HB026300	Metal Film Resistor	3.0K 1/4 F			01
R303	HB026300	Metal Film Resistor	3.0K 1/4 F			01
R304	HB026680	Metal Film Resistor	6.8K 1/4 F			01
R305	HB026680	Metal Film Resistor	6.8K 1/4 F			01
R306	HB026100	Metal Film Resistor	1.0K 1/4 F			01
R307	HB026100	Metal Film Resistor	1.0K 1/4 F			01
R308	HF454390	Carbon Resistor	39.0 1/4 J			01
R309	HF455220	Carbon Resistor	220.0 1/4 J			01
R310	HB027470	Metal Film Resistor	47.0K 1/4 F			01
R311	HF455220	Carbon Resistor	220.0 1/4 J			01
R312	HB026120	Metal Film Resistor	1.2K 1/4 F			01
R313	HF455100	Carbon Resistor	100.0 1/4 J			01
R315	RD258100	Carbon Resistor (chip)	100.0K 0.1 J			01
R316	HB027100	Metal Film Resistor	10.0K 1/4 F			01
R317	HB027100	Metal Film Resistor	10.0K 1/4 F			01
R318	HB027110	Metal Film Resistor	11.0K 1/4 F			01
R319	HB024820	Metal Film Resistor	82.0 1/4 F			01
R320	HB027100	Metal Film Resistor	10.0K 1/4 F			01
R321	HB027200	Metal Film Resistor	20.0K 1/4 F			01
R322	HB027200	Metal Film Resistor	20.0K 1/4 F			01
R323	HB027180	Metal Film Resistor	18.0K 1/4 F			01
R324	HB027180	Metal Film Resistor	18.0K 1/4 F			01
R325	HF454750	Carbon Resistor	75.0 1/4 J			01
R326	HF454750	Carbon Resistor	75.0 1/4 J			01
R327	RD258100	Carbon Resistor (chip)	100.0K 0.1 J			01
R328	RD258100	Carbon Resistor (chip)	100.0K 0.1 J			01
R329	RD257100	Carbon Resistor (chip)	10.0K 0.1 J			01
R330	RD257100	Carbon Resistor (chip)	10.0K 0.1 J			01
R400	HB026300	Metal Film Resistor	3.0K 1/4 F			01
R403	HB026300	Metal Film Resistor	3.0K 1/4 F			01
R404	HB026680	Metal Film Resistor	6.8K 1/4 F			01
R405	HB026680	Metal Film Resistor	6.8K 1/4 F			01
R406	HB026100	Metal Film Resistor	1.0K 1/4 F			01
R407	HB026100	Metal Film Resistor	1.0K 1/4 F			01
R408	HF454390	Carbon Resistor	39.0 1/4 J			01
R409	HF455220	Carbon Resistor	220.0 1/4 J			01
R410	HB027470	Metal Film Resistor	47.0K 1/4 F			01
R411	HF455220	Carbon Resistor	220.0 1/4 J			01
R412	HB026120	Metal Film Resistor	1.2K 1/4 F			01
R413	HF455100	Carbon Resistor	100.0 1/4 J			01
R415	RD258100	Carbon Resistor (chip)	100.0K 0.1 J			01
R416	HB027100	Metal Film Resistor	10.0K 1/4 F			01
R417	HB027100	Metal Film Resistor	10.0K 1/4 F			01
R418	HB027110	Metal Film Resistor	11.0K 1/4 F			01
R419	HB024820	Metal Film Resistor	82.0 1/4 F			01
R420	HB027100	Metal Film Resistor	10.0K 1/4 F			01
R421	HB027200	Metal Film Resistor	20.0K 1/4 F			01

*: New Parts

RANK: J apan only

REF NO.	PART NO.	DESCRIPTION		REMARKS	QTY	RANK
R422	HB027200	Metal Film Resistor	20.0K 1/4 F			
R423	HB027180	Metal Film Resistor	18.0K 1/4 F			01
R424	HB027180	Metal Film Resistor	18.0K 1/4 F			01
R425	HF454750	Carbon Resistor	75.0 1/4 J			01
R426	HF454750	Carbon Resistor	75.0 1/4 J			01
R427	RD258100	Carbon Resistor (chip)	100.0K 0.1 J			01
R428	RD258100	Carbon Resistor (chip)	100.0K 0.1 J			01
R429	RD257100	Carbon Resistor (chip)	10.0K 0.1 J			01
R430	RD257100	Carbon Resistor (chip)	10.0K 0.1 J			01
* R500	HB026300	Metal Film Resistor	3.0K 1/4 F			
* -503	HB026300	Metal Film Resistor	3.0K 1/4 F			
R504	HB026680	Metal Film Resistor	6.8K 1/4 F			01
R505	HB026680	Metal Film Resistor	6.8K 1/4 F			01
R506	HB026100	Metal Film Resistor	1.0K 1/4 F			01
R507	HB026100	Metal Film Resistor	1.0K 1/4 F			01
R508	HF454390	Carbon Resistor	39.0 1/4 J			01
R509	HF455220	Carbon Resistor	220.0 1/4 J			01
R510	HB027470	Metal Film Resistor	47.0K 1/4 F			01
R511	HF455220	Carbon Resistor	220.0 1/4 J			01
R512	HB026120	Metal Film Resistor	1.2K 1/4 F			01
R513	HF455100	Carbon Resistor	100.0 1/4 J			01
R515	RD258100	Carbon Resistor (chip)	100.0K 0.1 J			01
R516	HB027100	Metal Film Resistor	10.0K 1/4 F			
R517	HB027100	Metal Film Resistor	10.0K 1/4 F			
R518	HB027110	Metal Film Resistor	11.0K 1/4 F			01
R519	HB024820	Metal Film Resistor	82.0 1/4 F			01
R520	HB027100	Metal Film Resistor	10.0K 1/4 F			
R521	HB027200	Metal Film Resistor	20.0K 1/4 F			
R522	HB027200	Metal Film Resistor	20.0K 1/4 F			
R523	HB027180	Metal Film Resistor	18.0K 1/4 F			01
R524	HB027180	Metal Film Resistor	18.0K 1/4 F			01
R525	HF454750	Carbon Resistor	75.0 1/4 J			01
R526	HF454750	Carbon Resistor	75.0 1/4 J			01
R527	RD258100	Carbon Resistor (chip)	100.0K 0.1 J			01
R528	RD258100	Carbon Resistor (chip)	100.0K 0.1 J			01
R529	RD257100	Carbon Resistor (chip)	10.0K 0.1 J			01
R530	RD257100	Carbon Resistor (chip)	10.0K 0.1 J			01
R901	RD255100	Carbon Resistor (chip)	100.0 0.1 J			01
-908	RD255100	Carbon Resistor (chip)	100.0 0.1 J			01
R911	RD258100	Carbon Resistor (chip)	100.0K 0.1 J			01
R912	RD258100	Carbon Resistor (chip)	100.0K 0.1 J			01
R918	RD255100	Carbon Resistor (chip)	100.0 0.1 J			01
-923	RD255100	Carbon Resistor (chip)	100.0 0.1 J			01
SW101	VN316300	Slide Switch	S55S2-22-01	+18dB ↔ +24dB		02
SW201	VN316300	Slide Switch	S55S2-22-01	+18dB ↔ +24dB		02
SW301	VN316300	Slide Switch	S55S2-22-01	+18dB ↔ +24dB		02
SW401	VN316300	Slide Switch	S55S2-22-01	+18dB ↔ +24dB		02
SW501	VN316300	Slide Switch	S55S2-22-01	+18dB ↔ +24dB		02
TR001	VJ 927100	Transistor	2SC2712 Y			01
TR002	VJ 927100	Transistor	2SC2712 Y			01
TR003	VQ395600	Transistor	2SA1052 B,C			01
TR004	VG013300	Transistor	2SB1132 82-390			01
TR101	VK432900	Transistor	2SD1915(F) S,T			01
TR102	VK432900	Transistor	2SD1915(F) S,T			01
TR201	VK432900	Transistor	2SD1915(F) S,T			01
TR202	VK432900	Transistor	2SD1915(F) S,T			01
TR301	VK432900	Transistor	2SD1915(F) S,T			01
TR302	VK432900	Transistor	2SD1915(F) S,T			01
TR401	VK432900	Transistor	2SD1915(F) S,T			01
TR402	VK432900	Transistor	2SD1915(F) S,T			01
TR501	VK432900	Transistor	2SD1915(F) S,T			01
TR502	VK432900	Transistor	2SD1915(F) S,T			01
* WA629800		Circuit Board	DA3 (DACOM)	(WB17690)(X417180)		
* WB057300		Circuit Board	PHN2 (DACOM)	(WB17690)(X417180)		
V7539800		Cannon Angle			4	02
C001	UR857470	Electrolytic Cap.	47.00 35.0V			01
C002	U5145100	Ceramic Capacitor-F (chip)	0.1000 25V Z			01
C003	V5829200	Electrolytic Cap. (chip)	100 20V 20SG100M+T			04
-006	V5829200	Electrolytic Cap. (chip)	100 20V 20SG100M+T			04

* New Parts

RANK: Japan only

PM5D/PM5D-RH

REF NO.	PART NO.	DESCRIPTION		REMARKS	QTY	RANK
C007	UA355100	Mylar Capacitor	0.1000 50V J			01
-009	UA355100	Mylar Capacitor	0.1000 50V J			01
C010	US145100	Ceramic Capacitor-F (chip)	0.1000 25V Z			01
C011	UF047100	Electrolytic Cap. (chip)	10 25V			01
C012	US145100	Ceramic Capacitor-F (chip)	0.1000 25V Z			01
C013	UF047100	Electrolytic Cap. (chip)	10 25V			01
C014	US145100	Ceramic Capacitor-F (chip)	0.1000 25V Z			01
C015	UF047100	Electrolytic Cap. (chip)	10 25V			01
C016	UF047100	Electrolytic Cap. (chip)	10 25V			01
C101	UU168100	Electrolytic Cap.-FW	100.00 50.0V			01
C102	UU168100	Electrolytic Cap.-FW	100.00 50.0V			01
C103	US061330	Ceramic Capacitor-CH(chip)	33P 50V J			01
C104	US061330	Ceramic Capacitor-CH(chip)	33P 50V J			01
C105	UA353330	Mylar Capacitor	3300P 50V J			01
C105	UA353160	Mylar Capacitor	1600P 50V J			01
C107	US064100	Ceramic Capacitor-B (chip)	0.0100 50V K			01
-110	US064100	Ceramic Capacitor-B (chip)	0.0100 50V K			01
C111	US061330	Ceramic Capacitor-CH(chip)	33P 50V J			01
C112	US061330	Ceramic Capacitor-CH(chip)	33P 50V J			01
C113	UU148220	Electrolytic Cap.-FW	220.00 25.0V			01
C114	UU148220	Electrolytic Cap.-FW	220.00 25.0V			01
C201	UU168100	Electrolytic Cap.-FW	100.00 50.0V			01
G202	UU168100	Electrolytic Cap.-FW	100.00 50.0V			01
G200	US061330	Ceramic Capacitor-CH(chip)	33P 50V J			01
G204	US061330	Ceramic Capacitor-CH(chip)	33P 50V J			01
G205	UA353330	Mylar Capacitor	3300P 50V J			01
G206	UA353160	Mylar Capacitor	1600P 50V J			01
C207	US064100	Ceramic Capacitor-B (chip)	0.0100 50V K			01
-210	US064100	Ceramic Capacitor-B (chip)	0.0100 50V K			01
C211	US061330	Ceramic Capacitor-CH(chip)	33P 50V J			01
G212	US061330	Ceramic Capacitor-CH(chip)	33P 50V J			01
G213	UU148220	Electrolytic Cap.-FW	220.00 25.0V			01
C214	UU148220	Electrolytic Cap.-FW	220.00 25.0V			01
C301	UU168100	Electrolytic Cap.-FW	100.00 50.0V			01
C302	UU168100	Electrolytic Cap.-FW	100.00 50.0V			01
C303	US061330	Ceramic Capacitor-CH(chip)	33P 50V J			01
C304	US061330	Ceramic Capacitor-CH(chip)	33P 50V J			01
C305	UA353330	Mylar Capacitor	3300P 50V J			01
C306	UA353160	Mylar Capacitor	1600P 50V J			01
C307	US064100	Ceramic Capacitor-B (chip)	0.0100 50V K			01
-310	US064100	Ceramic Capacitor-B (chip)	0.0100 50V K			01
C311	US061330	Ceramic Capacitor-CH(chip)	33P 50V J			01
C312	US061330	Ceramic Capacitor-CH(chip)	33P 50V J			01
C313	UU148220	Electrolytic Cap.-FW	220.00 25.0V			01
C314	UU148220	Electrolytic Cap.-FW	220.00 25.0V			01
C401	UU168100	Electrolytic Cap.-FW	100.00 50.0V			01
C402	UU168100	Electrolytic Cap.-FW	100.00 50.0V			01
C403	US061330	Ceramic Capacitor-CH(chip)	33P 50V J			01
C404	US061330	Ceramic Capacitor-CH(chip)	33P 50V J			01
C405	UA353330	Mylar Capacitor	3300P 50V J			01
C406	UA353160	Mylar Capacitor	1600P 50V J			01
C407	US064100	Ceramic Capacitor-B (chip)	0.0100 50V K			01
-410	US064100	Ceramic Capacitor-B (chip)	0.0100 50V K			01
C411	US061330	Ceramic Capacitor-CH(chip)	33P 50V J			01
C412	US061330	Ceramic Capacitor-CH(chip)	33P 50V J			01
C413	UU148220	Electrolytic Cap.-FW	220.00 25.0V			01
C414	UU148220	Electrolytic Cap.-FW	220.00 25.0V			01
C500	US145100	Ceramic Capacitor-F (chip)	0.1000 25V Z			01
C501	UR848100	Electrolytic Cap.	100.00 25.0V			01
-504	UR848100	Electrolytic Cap.	100.00 25.0V			01
C505	UR857470	Electrolytic Cap.	47.00 35.0V			01
C506	US145100	Ceramic Capacitor-F (chip)	0.1000 25V Z			01
C507	US145100	Ceramic Capacitor-F (chip)	0.1000 25V Z			01
C508	UA355100	Mylar Capacitor	0.1000 50V J			01
C509	UR848100	Electrolytic Cap.	100.00 25.0V			01
C510	US145100	Ceramic Capacitor-F (chip)	0.1000 25V Z			01
C511	UR867100	Electrolytic Cap.	10.00 50.0V			01
C512	US145100	Ceramic Capacitor-F (chip)	0.1000 25V Z			01
C513	US135220	Ceramic Capacitor-F (chip)	0.2200 16V Z			01
C514	UR867100	Electrolytic Cap.	10.00 50.0V			01

*: New Parts

RANK: J apan only

REF NO.	PART NO.	DESCRIPTION	REMARKS	QTY	RANK
C515	US145100	Ceramic Capacitor-F (chip)	0.1000 25V Z		01
-517	US145100	Ceramic Capacitor-F (chip)	0.1000 25V Z		01
C518	UR867100	Electrolytic Cap.	10.00 50.0V		01
C519	UR867100	Electrolytic Cap.	10.00 50.0V		01
C520	FG651470	Ceramic Capacitor-SL	47P 50V J		
D600	US061560	Ceramic Capacitor-CH(chip)	56P 50V J		01
-603	US061560	Ceramic Capacitor-CH(chip)	56P 50V J		01
C604	UA353330	Mylar Capacitor	3300P 50V J		01
C605	UA353330	Mylar Capacitor	3300P 50V J		01
C606	US064100	Ceramic Capacitor-B (chip)	0.0100 50V K		01
C607	US064100	Ceramic Capacitor-B (chip)	0.0100 50V K		01
C608	UA353160	Mylar Capacitor	1600P 50V J		
C609	UA353160	Mylar Capacitor	1600P 50V J		
C610	US064100	Ceramic Capacitor-B (chip)	0.0100 50V K		01
C611	US064100	Ceramic Capacitor-B (chip)	0.0100 50V K		01
C612	UR867100	Electrolytic Cap.	10.00 50.0V		01
-615	UR867100	Electrolytic Cap.	10.00 50.0V		01
C618	US061220	Ceramic Capacitor-CH(chip)	22P 50V J		01
C617	US061220	Ceramic Capacitor-CH(chip)	22P 50V J		01
C618	UR838100	Electrolytic Cap.	100.00 16.0V		01
C619	UR838100	Electrolytic Cap.	100.00 16.0V		01
C620	US064100	Ceramic Capacitor-B (chip)	0.0100 50V K		01
C621	UA353470	Mylar Capacitor	4700P 50V J		01
C622	UA353470	Mylar Capacitor	4700P 50V J		01
C623	US062220	Ceramic Capacitor-SL(chip)	220P 50V J		01
C624	US062220	Ceramic Capacitor-SL(chip)	220P 50V J		01
C625	VI254700	Electrolytic Cap.	470.00 16.0V		01
C626	VI254700	Electrolytic Cap.	470.00 16.0V		01
C627	VE326400	Monolithic Mylar Capacitor	0.22 50V J		01
C628	VE326400	Monolithic Mylar Capacitor	0.22 50V J		01
C900	US145100	Ceramic Capacitor-F (chip)	0.1000 25V Z		01
C901	US145100	Ceramic Capacitor-F (chip)	0.1000 25V Z		01
C903	WC214000	Electrolytic Cap. (chip)	10 25V 25SP10		03
C904	US145100	Ceramic Capacitor-F (chip)	0.1000 25V Z		01
-906	US145100	Ceramic Capacitor-F (chip)	0.1000 25V Z		01
C907	UU167100	Electrolytic Cap.-FW	10.00 50.0V		01
C908	US145100	Ceramic Capacitor-F (chip)	0.1000 25V Z		01
C909	US145100	Ceramic Capacitor-F (chip)	0.1000 25V Z		01
C910	WC214000	Electrolytic Cap. (chip)	10 25V 25SP10		03
C911	UU167100	Electrolytic Cap.-FW	10.00 50.0V		01
C912	WC214000	Electrolytic Cap. (chip)	10 25V 25SP10		03
C913	US145100	Ceramic Capacitor-F (chip)	0.1000 25V Z		01
-915	US145100	Ceramic Capacitor-F (chip)	0.1000 25V Z		01
C916	UU167100	Electrolytic Cap.-FW	10.00 50.0V		01
C917	US145100	Ceramic Capacitor-F (chip)	0.1000 25V Z		01
C918	US145100	Ceramic Capacitor-F (chip)	0.1000 25V Z		01
C919	WC214000	Electrolytic Cap. (chip)	10 25V 25SP10		03
C920	UU167100	Electrolytic Cap.-FW	10.00 50.0V		01
C939	US135220	Ceramic Capacitor-F (chip)	0.2200 16V Z		01
C940	US135220	Ceramic Capacitor-F (chip)	0.2200 16V Z		01
C941	FG651330	Ceramic Capacitor-SL	33P 50V J		01
CN001	VH904200	Connector Base Post	PH 14P SE		01
CN002	VH904200	Connector Base Post	PH 14P SE		01
CN500	VF283400	Connector Base Post	PH 16P TE		01
CN502	VK025700	Wire Trap	52147 13P TE		01
CN503	VK025700	Wire Trap	52147 13P TE		01
CN600	VB390200	Connector Base Post	PH 6P TE		01
CN901	VK027000	Wire Trap	52151 11P SE		02
CN902	VK027000	Wire Trap	52151 11P SE		02
CN903	VK026300	Wire Trap	52151 4P SE		01
* D001	WB880800	Diode	10EDA40-TA2B5 52		
** -004	WB880800	Diode	10EDA40-TA2B5 52		
D005	V5454500	Diode	1FWJ43N		01
-010	V5454500	Diode	1FWJ43N		01
** D500	WB880800	Diode	10EDA40-TA2B5 52		
** -503	WB880800	Diode	10EDA40-TA2B5 52		
D504	V5454500	Diode	1FWJ43N		01
EM001	WA049400	LC Filter	DSS6NE32A222O93A		01
EM005	VD542700	LC Filter	DSS6NF31C223O93A		01
EM101	VI243100	LC Filter	DSS6NB32A271O93A		01

* New Parts

RANK: Japan only

PM5D/PM5D-RH

REF NO.	PART NO.	DESCRIPTION	REMARKS	QTY	RANK
EM102	VI243100	LC Filter	DSS6NB32A271Q93A		01
EM201	VI243100	LC Filter	DSS6NB32A271Q93A		01
EM202	VI243100	LC Filter	DSS6NB32A271Q93A		01
EM301	VI243100	LC Filter	DSS6NB32A271Q93A		01
EM302	VI243100	LC Filter	DSS6NB32A271Q93A		01
EM401	VI243100	LC Filter	DSS6NB32A271Q93A		01
EM402	VI243100	LC Filter	DSS6NB32A271Q93A		01
EM500	VD542700	LC Filter	DSS6NF31C223Q93A		01
-503	VD542700	LC Filter	DSS6NF31C223Q93A		01
EM504	WA049400	LC Filter	DSS6NE32A222Q93A		01
EM600	VD542700	LC Filter	DSS6NF31C223Q93A		01
EM601	VD542700	LC Filter	DSS6NF31C223Q93A		01
IC001	X4363A00	IC	LM2940CSX-15	REGULATOR +15V	
IC002	X3949A00	IC	LM2990SX-15	REGULATOR -15V	06
IC003	XW674A00	IC	NJM7805DL1A(TE1)	REGULATOR +5V	02
IC101	XF291A00	IC	UPC4570G2	OP AMP	03
IC102	XP844A00	IC	NJM4556AL	OP AMP	02
IC201	XF291A00	IC	UPC4570G2	OP AMP	03
IC202	XP844A00	IC	NJM4556AL	OP AMP	02
IC301	XF291A00	IC	UPC4570G2	OP AMP	03
IC302	XP844A00	IC	NJM4556AL	OP AMP	02
IC401	XF291A00	IC	UPC4570G2	OP AMP	03
IC402	XP844A00	IC	NJM4556AL	OP AMP	02
IC500	XM182A00	IC	TC7S04F	INVERTER	01
IC501	XD838A00	IC	SN74HC245NSR	TRANSCEIVER	04
IC502	XW029A00	IC	AK4393VF-E2	DAC	07
IC503	XJ 598A00	IC	NJM78L05UA	REGULATOR +5V	02
IC504	XJ 608A00	IC	NJM7812FA	REGULATOR +12V	02
IC600	XF291A00	IC	UPC4570G2	OP AMP	03
IC601	XF291A00	IC	UPC4570G2	OP AMP	03
IC602	XP705A00	IC	NJM2073D	POWER AMP 0.65W 2CH	03
IC900	XM182A00	IC	TC7S04F	INVERTER	01
IC901	XD838A00	IC	SN74HC245NSR	TRANSCEIVER	04
IC903	XW029A00	IC	AK4393VF-E2	DAC	07
IC904	XW029A00	IC	AK4393VF-E2	DAC	07
IC907	XJ 598A00	IC	NJM78L05UA	REGULATOR +5V	02
IC908	XJ 598A00	IC	NJM78L05UA	REGULATOR +5V	02
JK101	VS133700	Cannon Connector	NC3MAH	STEREO A L	04
JK201	VS133700	Cannon Connector	NC3MAH	STEREO A R	04
JK301	VS133700	Cannon Connector	NC3MAH	STEREO B L	04
JK401	VS133700	Cannon Connector	NC3MAH	STEREO B R	04
JK800	LB302070	Phone Jack	ST JACK HLJ0544	PHONES	03
R001	RD256100	Carbon Resistor (chip)	1.0K 0.1 J		01
R002	RD257100	Carbon Resistor (chip)	10.0K 0.1 J		01
R003	RD257100	Carbon Resistor (chip)	10.0K 0.1 J		01
R004	RD258100	Carbon Resistor (chip)	100.0K 0.1 J		01
R006	HF456220	Carbon Resistor	2.2K 1/4 J		01
R006	HF456220	Carbon Resistor	2.2K 1/4 J		01
R007	HF457100	Carbon Resistor	10.0K 1/4 J		01
R006	RD258100	Carbon Resistor (chip)	100.0K 0.1 J		01
R009	RD257100	Carbon Resistor (chip)	10.0K 0.1 J		01
R010	HF456470	Carbon Resistor	4.7K 1/4 J		01
R011	RD258100	Carbon Resistor (chip)	100.0K 0.1 J		01
R101	HB026300	Metal Film Resistor	3.0K 1/4 F		
R102	HB026300	Metal Film Resistor	3.0K 1/4 F		
R104	HB026680	Metal Film Resistor	6.8K 1/4 F		01
R105	HB026680	Metal Film Resistor	6.8K 1/4 F		01
R107	HB026100	Metal Film Resistor	1.0K 1/4 F		01
R108	HB026100	Metal Film Resistor	1.0K 1/4 F		01
R109	HF454390	Carbon Resistor	39.0 1/4 J		01
R110	RD258100	Carbon Resistor (chip)	100.0K 0.1 J		01
R111	HB027100	Metal Film Resistor	10.0K 1/4 F		
R112	HB027100	Metal Film Resistor	10.0K 1/4 F		
R113	HB027110	Metal Film Resistor	11.0K 1/4 F		01
R114	HB027100	Metal Film Resistor	10.0K 1/4 F		
R115	HB027200	Metal Film Resistor	20.0K 1/4 F		
R116	HB027200	Metal Film Resistor	20.0K 1/4 F		
R117	HB027180	Metal Film Resistor	18.0K 1/4 F		01
R118	HB027180	Metal Film Resistor	18.0K 1/4 F		01
R119	HF454750	Carbon Resistor	75.0 1/4 J		01

*: New Parts

RANK: Japan only

REF NO.	PART NO.	DESCRIPTION		REMARKS	QTY	RANK
R120	HF454750	Carbon Resistor	75.0 1/4 J			01
R121	RD258100	Carbon Resistor (chip)	100.0K 0.1 J			01
R122	RD258100	Carbon Resistor (chip)	100.0K 0.1 J			01
R123	RD257100	Carbon Resistor (chip)	10.0K 0.1 J			01
R124	RD257100	Carbon Resistor (chip)	10.0K 0.1 J			01
* R125	HB026300	Metal Film Resistor	3.0K 1/4 F			
* R126	HB026300	Metal Film Resistor	3.0K 1/4 F			
R127	HB024820	Metal Film Resistor	82.0 1/4 F			01
* R201	HB026300	Metal Film Resistor	3.0K 1/4 F			
* R202	HB026300	Metal Film Resistor	3.0K 1/4 F			
R204	HB026680	Metal Film Resistor	6.8K 1/4 F			01
R205	HB026680	Metal Film Resistor	6.8K 1/4 F			01
R207	HB026100	Metal Film Resistor	1.0K 1/4 F			01
R208	HB026100	Metal Film Resistor	1.0K 1/4 F			01
R209	HF454390	Carbon Resistor	39.0 1/4 J			01
R210	RD258100	Carbon Resistor (chip)	100.0K 0.1 J			01
R211	HB027100	Metal Film Resistor	10.0K 1/4 F			
R212	HB027100	Metal Film Resistor	10.0K 1/4 F			
R213	HB027110	Metal Film Resistor	11.0K 1/4 F			01
R214	HB027100	Metal Film Resistor	10.0K 1/4 F			
R215	HB027200	Metal Film Resistor	20.0K 1/4 F			
R216	HB027200	Metal Film Resistor	20.0K 1/4 F			
R217	HB027180	Metal Film Resistor	18.0K 1/4 F			01
R218	HB027180	Metal Film Resistor	18.0K 1/4 F			01
R219	HF454750	Carbon Resistor	75.0 1/4 J			01
R220	HF454750	Carbon Resistor	75.0 1/4 J			01
R221	RD258100	Carbon Resistor (chip)	100.0K 0.1 J			01
R222	RD258100	Carbon Resistor (chip)	100.0K 0.1 J			01
R223	RD257100	Carbon Resistor (chip)	10.0K 0.1 J			01
R224	RD257100	Carbon Resistor (chip)	10.0K 0.1 J			01
* R225	HB026300	Metal Film Resistor	3.0K 1/4 F			
* R226	HB026300	Metal Film Resistor	3.0K 1/4 F			
R227	HB024820	Metal Film Resistor	82.0 1/4 F			01
* R301	HB026300	Metal Film Resistor	3.0K 1/4 F			
* R302	HB026300	Metal Film Resistor	3.0K 1/4 F			
R304	HB026680	Metal Film Resistor	6.8K 1/4 F			01
R305	HB026680	Metal Film Resistor	6.8K 1/4 F			01
R307	HB026100	Metal Film Resistor	1.0K 1/4 F			01
R308	HB026100	Metal Film Resistor	1.0K 1/4 F			01
R309	HF454390	Carbon Resistor	39.0 1/4 J			01
R310	RD258100	Carbon Resistor (chip)	100.0K 0.1 J			01
R311	HB027100	Metal Film Resistor	10.0K 1/4 F			
R312	HB027100	Metal Film Resistor	10.0K 1/4 F			
R313	HB027110	Metal Film Resistor	11.0K 1/4 F			01
R314	HB027100	Metal Film Resistor	10.0K 1/4 F			
R315	HB027200	Metal Film Resistor	20.0K 1/4 F			
R316	HB027200	Metal Film Resistor	20.0K 1/4 F			
R317	HB027180	Metal Film Resistor	18.0K 1/4 F			01
R318	HB027180	Metal Film Resistor	18.0K 1/4 F			01
R319	HF454750	Carbon Resistor	75.0 1/4 J			01
R320	HF454750	Carbon Resistor	75.0 1/4 J			01
R321	RD258100	Carbon Resistor (chip)	100.0K 0.1 J			01
R322	RD258100	Carbon Resistor (chip)	100.0K 0.1 J			01
R323	RD257100	Carbon Resistor (chip)	10.0K 0.1 J			01
R324	RD257100	Carbon Resistor (chip)	10.0K 0.1 J			01
* R325	HB026300	Metal Film Resistor	3.0K 1/4 F			
* R326	HB026300	Metal Film Resistor	3.0K 1/4 F			
R327	HB024820	Metal Film Resistor	82.0 1/4 F			01
* R401	HB026300	Metal Film Resistor	3.0K 1/4 F			
* R402	HB026300	Metal Film Resistor	3.0K 1/4 F			
R404	HB026680	Metal Film Resistor	6.8K 1/4 F			01
R405	HB026680	Metal Film Resistor	6.8K 1/4 F			01
R407	HB026100	Metal Film Resistor	1.0K 1/4 F			01
R408	HB026100	Metal Film Resistor	1.0K 1/4 F			01
R409	HF454390	Carbon Resistor	39.0 1/4 J			01
R410	RD258100	Carbon Resistor (chip)	100.0K 0.1 J			01
R411	HB027100	Metal Film Resistor	10.0K 1/4 F			
R412	HB027100	Metal Film Resistor	10.0K 1/4 F			
R413	HB027110	Metal Film Resistor	11.0K 1/4 F			01
R414	HB027100	Metal Film Resistor	10.0K 1/4 F			

* New Parts

RANK: Japan only

PM5D/PM5D-RH

REF NO.	PART NO.	DESCRIPTION	REMARKS	QTY	RANK
R415	HB027200	Metal Film Resistor	20.0K 1/4 F		
R416	HB027200	Metal Film Resistor	20.0K 1/4 F		
R417	HB027180	Metal Film Resistor	18.0K 1/4 F		01
R418	HB027180	Metal Film Resistor	18.0K 1/4 F		01
R419	HF454750	Carbon Resistor	75.0 1/4 J		01
R420	HF454750	Carbon Resistor	75.0 1/4 J		01
R421	RD258100	Carbon Resistor (chip)	100.0K 0.1 J		01
R422	RD258100	Carbon Resistor (chip)	100.0K 0.1 J		01
R423	RD257100	Carbon Resistor (chip)	10.0K 0.1 J		01
R424	RD257100	Carbon Resistor (chip)	10.0K 0.1 J		01
R425	HB026300	Metal Film Resistor	3.0K 1/4 F		
R426	HB026300	Metal Film Resistor	3.0K 1/4 F		
R427	HB024820	Metal Film Resistor	82.0 1/4 F		01
R500	RD255100	Carbon Resistor (chip)	100.0 0.1 J		01
-506	RD255100	Carbon Resistor (chip)	100.0 0.1 J		01
R507	RD257100	Carbon Resistor (chip)	10.0K 0.1 J		01
R508	RD258100	Carbon Resistor (chip)	100.0K 0.1 J		01
R509	RD255100	Carbon Resistor (chip)	100.0 0.1 J		01
-515	RD255100	Carbon Resistor (chip)	100.0 0.1 J		01
R516	RD258100	Carbon Resistor (chip)	100.0K 0.1 J		01
R517	RD256100	Carbon Resistor (chip)	1.0K 0.1 J		01
R518	RD257100	Carbon Resistor (chip)	10.0K 0.1 J		01
R519	RD257100	Carbon Resistor (chip)	10.0K 0.1 J		01
R520	HF456220	Carbon Resistor	2.2K 1/4 J		01
R521	HF456220	Carbon Resistor	2.2K 1/4 J		01
R522	HF457100	Carbon Resistor	10.0K 1/4 J		01
R523	RD258100	Carbon Resistor (chip)	100.0K 0.1 J		01
R524	RD257100	Carbon Resistor (chip)	10.0K 0.1 J		01
R525	HF456470	Carbon Resistor	4.7K 1/4 J		01
R526	RD258100	Carbon Resistor (chip)	100.0K 0.1 J		01
R600	HB026390	Metal Film Resistor	3.9K 1/4 F		01
-603	HB026390	Metal Film Resistor	3.9K 1/4 F		01
R604	HB027180	Metal Film Resistor	18.0K 1/4 F		01
-607	HB027180	Metal Film Resistor	18.0K 1/4 F		01
R608	HB026100	Metal Film Resistor	1.0K 1/4 F		01
-611	HB026100	Metal Film Resistor	1.0K 1/4 F		01
R612	HF454390	Carbon Resistor	39.0 1/4 J		01
R613	HF454390	Carbon Resistor	39.0 1/4 J		01
R614	HB027470	Metal Film Resistor	47.0K 1/4 F		01
R615	HB027470	Metal Film Resistor	47.0K 1/4 F		01
R616	HB027200	Metal Film Resistor	20.0K 1/4 F		
R617	HB027200	Metal Film Resistor	20.0K 1/4 F		
R618	HB025130	Metal Film Resistor	130.0 1/4 F		
R619	HB025130	Metal Film Resistor	130.0 1/4 F		
R620	HB026510	Metal Film Resistor	5.1K 1/4 F		01
R621	HB026510	Metal Film Resistor	5.1K 1/4 F		01
R622	HF454150	Carbon Resistor	15.0 1/4 J		01
R623	HF454150	Carbon Resistor	15.0 1/4 J		01
R624	RD258100	Carbon Resistor (chip)	100.0K 0.1 J		01
R625	RD258100	Carbon Resistor (chip)	100.0K 0.1 J		01
R626	VC742900	Metal Oxide Film Resistor	15.0 1W J		01
R627	RD257100	Carbon Resistor (chip)	10.0K 0.1 J		01
R628	VC742900	Metal Oxide Film Resistor	15.0 1W J		01
R629	RD257100	Carbon Resistor (chip)	10.0K 0.1 J		01
R901	RD255100	Carbon Resistor (chip)	100.0 0.1 J		01
-908	RD255100	Carbon Resistor (chip)	100.0 0.1 J		01
R911	RD258100	Carbon Resistor (chip)	100.0K 0.1 J		01
R912	RD258100	Carbon Resistor (chip)	100.0K 0.1 J		01
R913	RD255100	Carbon Resistor (chip)	100.0 0.1 J		01
-918	RD255100	Carbon Resistor (chip)	100.0 0.1 J		01
SW101	VN316300	Slide Switch	SSSS2-22-01	+18dB ↔ +24dB	02
SW201	VN316300	Slide Switch	SSSS2-22-01	+18dB ↔ +24dB	02
SW301	VN316300	Slide Switch	SSSS2-22-01	+18dB ↔ +24dB	02
SW401	VN316300	Slide Switch	SSSS2-22-01	+18dB ↔ +24dB	02
TR001	VJ 927100	Transistor	2SC2712 Y		01
TR002	VJ 927100	Transistor	2SC2712 Y		01
TR003	VQ395600	Transistor	2SA1052 B,C		01
TR004	VG013300	Transistor	2SB1132 82-390		01
TR101	VK432900	Transistor	2SD1915(F) S,T		01
TR102	VK432900	Transistor	2SD1915(F) S,T		01

*: New Parts

RANK: Japan only

REF NO.	PART NO.	DESCRIPTION		REMARKS	QTY	RANK
TR201	VK432900	Transistor	2SD1915(F) S,T			01
TR202	VK432900	Transistor	2SD1915(F) S,T			01
TR301	VK432900	Transistor	2SD1915(F) S,T			01
TR302	VK432900	Transistor	2SD1915(F) S,T			01
TR401	VK432900	Transistor	2SD1915(F) S,T			01
TR402	VK432900	Transistor	2SD1915(F) S,T			01
TR500	VJ 927100	Transistor	2SC2712 Y			01
TR501	VJ 927100	Transistor	2SC2712 Y			01
TR502	VQ395600	Transistor	2SA1052 B,C			01
TR503	VG013300	Transistor	2SB1132 82-390			01
TR600	V2993500	Transistor	2SD1979 S,T			01
TR601	V2993500	Transistor	2SD1979 S,T			01
	WD275600	Circuit Board	DR	(XW326D0)		
10	--	DR Angle		(V505710)		
20	EP600230	Bind Head Tapping Screw-B	3.0X6 MFZN2BL		2	01
30	VL092800	Insulation Sheet	BFG-20AD			02
40	VM512200	Transistor Holder				05
50	VH610100	Bind Head Screw	3.0X14 MFZN2BL			01
60	--	Jumper Wire	0.55	(VA07890)		
C100	UR739470	Electrolytic Cap.	4700 16.0V			02
C101	FG644100	Ceramic Capacitor-F	0.0100 50V Z			01
C102	FG644100	Ceramic Capacitor-F	0.0100 50V Z			01
C103	UR837470	Electrolytic Cap.	47.00 16.0V			01
C104	UR739470	Electrolytic Cap.	4700 16.0V			02
C105	UR837100	Electrolytic Cap.	10.00 16.0V			01
CN100	VB390800	Connector Base Post	PH 12P TE			01
CN101	VB389800	Connector Base Post	PH 2P TE			01
CN102	VB389900	Connector Base Post	PH 3P TE			01
EM1	WA049400	LC Filter	DSS6NE32A222Q93A			01
FZ100	VV457600	Protector Switch	RUE090 0.90A 30V			02
R100	HF755680	Carbon Resistor	680.0 1/4 J			01
R101	HF755680	Carbon Resistor	680.0 1/4 J			01
R102	VC740900	Metal Oxide Film Resistor	2.2 1W J			01
R103	HF757100	Carbon Resistor	10.0K 1/4 J			01
R104	HF757100	Carbon Resistor	10.0K 1/4 J			01
R105	VC740500	Metal Oxide Film Resistor	1.5 1W J			01
R106	VC740900	Metal Oxide Film Resistor	2.2 1W J			01
TR100	IB 059600	Transistor	2SB596LBB O,YFORM			04
TR101	IB 059600	Transistor	2SB596LBB O,YFORM			04
TR102	IC 1815M0	Transistor	2SC1815 Y,GR			01
-105	IC 1815M0	Transistor	2SC1815 Y,GR			01
ZD100	VG438100	Zener Diode	MTZ J 6.2C 6.2V			01
	V5547100	Circuit Board	DRL	(XW326D0)		15
10	--	DR Angle		(V505710)		
20	EP600230	Bind Head Tapping Screw-B	3.0X6 MFZN2BL		2	01
30	VL092800	Insulation Sheet	BFG-20AD			02
40	V4797200	Transistor Holder				07
50	VH610100	Bind Head Screw	3.0X14 MFZN2BL			01
C100	UR739470	Electrolytic Cap.	4700 16.0V			02
C101	FG644100	Ceramic Capacitor-F	0.0100 50V Z			01
C103	UR837470	Electrolytic Cap.	47.00 16.0V			01
CN100	VB390800	Connector Base Post	PH 12P TE			01
CN101	VB389800	Connector Base Post	PH 2P TE			01
EM1	WA049400	LC Filter	DSS6NE32A222Q93A			01
FZ100	VV457600	Protector Switch	RUE090 0.90A 30V			02
R102	VC740900	Metal Oxide Film Resistor	2.2 1W J			01
R103	HF757100	Carbon Resistor	10.0K 1/4 J			01
R105	VC740500	Metal Oxide Film Resistor	1.5 1W J			01
TR100	IB 059600	Transistor	2SB596LBB O,Y			04
TR102	IC 1815M0	Transistor	2SC1815 Y,GR			01
TR104	IC 1815M0	Transistor	2SC1815 Y,GR			01
	V4566200	Circuit Board	DRN	(XW326D0)		15
10	--	DR Angle		(V505710)		
20	EP600230	Bind Head Tapping Screw-B	3.0X6 MFZN2BL		2	01
30	VL092800	Insulation Sheet	BFG-20AD			02
40	VM512200	Transistor Holder				05
50	VH610100	Bind Head Screw	3.0X14 MFZN2BL			01

* New Parts

RANK: Japan only

PM5D/PM5D-RH

REF NO.	PART NO.	DESCRIPTION		REMARKS	QTY	RANK
C100	UR739470	Electrolytic Cap.	4700 16.0V			02
C101	FG644100	Ceramic Capacitor-F	0.0100 50V Z			01
C102	FG644100	Ceramic Capacitor-F	0.0100 50V Z			01
C103	UR837470	Electrolytic Cap.	47.00 16.0V			01
C104	UR739470	Electrolytic Cap.	4700 16.0V			02
CN100	VB390800	Connector Base Post	PH 12P TE			01
CN101	VB389800	Connector Base Post	PH 2P TE			01
CN102	VB389900	Connector Base Post	PH 3P TE			01
EM1	WA049400	LC Filter	DSS6NE32A222Q93A			01
FZ100	VV457600	Protector Switch	RUE090 0.90A 30V			02
R102	VC740900	Metal Oxide Film Resistor	2.2 1W J			01
R103	HF757100	Carbon Resistor	10.0K 1/4 J			01
R104	HF757100	Carbon Resistor	10.0K 1/4 J			01
R105	VC740500	Metal Oxide Film Resistor	1.5 1W J			01
R106	VC740900	Metal Oxide Film Resistor	2.2 1W J			01
TR100	IB059600	Transistor	2SB596LBB O,Y			04
TR101	IB059600	Transistor	2SB596LBB O,Y			04
TR102	IC1815M0	Transistor	2SC1815 Y,GR			01
-105	IC1815M0	Transistor	2SC1815 Y,GR			01
	WA771300	Circuit Board	DSP	(X411680)		
C101	US145100	Ceramic Capacitor-F (chip)	0.1000 25V Z			01
-140	US145100	Ceramic Capacitor-F (chip)	0.1000 25V Z			01
C142	US145100	Ceramic Capacitor-F (chip)	0.1000 25V Z			01
-155	US145100	Ceramic Capacitor-F (chip)	0.1000 25V Z			01
C156	UF017470	Electrolytic Cap. (chip)	47 6.3V			01
C157	UF017470	Electrolytic Cap. (chip)	47 6.3V			01
C159	UF017470	Electrolytic Cap. (chip)	47 6.3V			01
C160	US145100	Ceramic Capacitor-F (chip)	0.1000 25V Z			01
-178	US145100	Ceramic Capacitor-F (chip)	0.1000 25V Z			01
C179	VJ 903700	Monolithic Ceramic Cap.	CH 560P 50V J			01
C180	US145100	Ceramic Capacitor-F (chip)	0.1000 25V Z			01
-201	US145100	Ceramic Capacitor-F (chip)	0.1000 25V Z			01
C202	UF118330	Electrolytic Cap. (chip)	330 6.3V UUR0J3			01
C203	UB445330	Monolithic Ceramic Cap.	F 0.330 16V Z			01
C204	US145100	Ceramic Capacitor-F (chip)	0.1000 25V Z			01
C205	UF017470	Electrolytic Cap. (chip)	47 6.3V			01
C207	US145100	Ceramic Capacitor-F (chip)	0.1000 25V Z			01
C208	UB445330	Monolithic Ceramic Cap.	F 0.330 16V Z			01
C209	US145100	Ceramic Capacitor-F (chip)	0.1000 25V Z			01
C210	VR327300	Mylar Capacitor (chip)	0.0620 16V J			01
C211	US145100	Ceramic Capacitor-F (chip)	0.1000 25V Z			01
-215	US145100	Ceramic Capacitor-F (chip)	0.1000 25V Z			01
C216	UB014220	Monolithic Ceramic Cap.	B 0.022 50V K			01
C217	UF128470	Electrolytic Cap. (chip)	470 10V UUR1A4			02
C218	US145100	Ceramic Capacitor-F (chip)	0.1000 25V Z			01
-225	US145100	Ceramic Capacitor-F (chip)	0.1000 25V Z			01
C226	UB014220	Monolithic Ceramic Cap.	B 0.022 50V K			01
C227	UF128470	Electrolytic Cap. (chip)	470 10V UUR1A4			02
C228	UB014220	Monolithic Ceramic Cap.	B 0.022 50V K			01
C229	US145100	Ceramic Capacitor-F (chip)	0.1000 25V Z			01
C230	V6200900	Film Capacitor (chip)	1.0000 16V M			01
C231	US145100	Ceramic Capacitor-F (chip)	0.1000 25V Z			01
C232	US145100	Ceramic Capacitor-F (chip)	0.1000 25V Z			01
C233	VJ 903700	Monolithic Ceramic Cap.	CH 560P 50V J			01
C234	UB014220	Monolithic Ceramic Cap.	B 0.022 50V K			01
C235	US145100	Ceramic Capacitor-F (chip)	0.1000 25V Z			01
-237	US145100	Ceramic Capacitor-F (chip)	0.1000 25V Z			01
C238	UF128470	Electrolytic Cap. (chip)	470 10V UUR1A4			02
C239	US145100	Ceramic Capacitor-F (chip)	0.1000 25V Z			01
-243	US145100	Ceramic Capacitor-F (chip)	0.1000 25V Z			01
C244	UB445330	Monolithic Ceramic Cap.	F 0.330 16V Z			01
C245	UB014220	Monolithic Ceramic Cap.	B 0.022 50V K			01
C246	UF128470	Electrolytic Cap. (chip)	470 10V UUR1A4			02
C247	US145100	Ceramic Capacitor-F (chip)	0.1000 25V Z			01
C248	UB014220	Monolithic Ceramic Cap.	B 0.022 50V K			01
C249	UB445330	Monolithic Ceramic Cap.	F 0.330 16V Z			01
C250	US145100	Ceramic Capacitor-F (chip)	0.1000 25V Z			01
C251	V6200900	Film Capacitor (chip)	1.0000 16V M			01
C252	US145100	Ceramic Capacitor-F (chip)	0.1000 25V Z			01

*: New Parts

RANK: J apan only

REF NO.	PART NO.	DESCRIPTION		REMARKS	QTY	RANK
-313	US145100	Ceramic Capacitor-F (chip)	0.1000 25V Z			01
C315	US145100	Ceramic Capacitor-F (chip)	0.1000 25V Z			01
-327	US145100	Ceramic Capacitor-F (chip)	0.1000 25V Z			01
C329	US145100	Ceramic Capacitor-F (chip)	0.1000 25V Z			01
-334	US145100	Ceramic Capacitor-F (chip)	0.1000 25V Z			01
C335	UF038100	Electrolytic Cap. (chip)	100 16V			01
C336	US145100	Ceramic Capacitor-F (chip)	0.1000 25V Z			01
-345	US145100	Ceramic Capacitor-F (chip)	0.1000 25V Z			01
C346	VR328100	Mylar Capacitor (chip)	.00022 50V J			01
C347	VP864400	Mylar Capacitor (chip)	0.0047 16V J			01
C348	VR328100	Mylar Capacitor (chip)	.00022 50V J			01
C349	VP864400	Mylar Capacitor (chip)	0.0047 16V J			01
C350	US145100	Ceramic Capacitor-F (chip)	0.1000 25V Z			01
-378	US145100	Ceramic Capacitor-F (chip)	0.1000 25V Z			01
C379	UF038100	Electrolytic Cap. (chip)	100 16V			01
C380	US145100	Ceramic Capacitor-F (chip)	0.1000 25V Z			01
C381	UF038100	Electrolytic Cap. (chip)	100 16V			01
C382	US145100	Ceramic Capacitor-F (chip)	0.1000 25V Z			01
-391	US145100	Ceramic Capacitor-F (chip)	0.1000 25V Z			01
C392	VR328100	Mylar Capacitor (chip)	.00022 50V J			01
C393	VP864400	Mylar Capacitor (chip)	0.0047 16V J			01
C394	VR328100	Mylar Capacitor (chip)	.00022 50V J			01
C395	VP864400	Mylar Capacitor (chip)	0.0047 16V J			01
C396	US145100	Ceramic Capacitor-F (chip)	0.1000 25V Z			01
-424	US145100	Ceramic Capacitor-F (chip)	0.1000 25V Z			01
C425	UF038100	Electrolytic Cap. (chip)	100 16V			01
C426	US145100	Ceramic Capacitor-F (chip)	0.1000 25V Z			01
C427	UF038100	Electrolytic Cap. (chip)	100 16V			01
C428	US145100	Ceramic Capacitor-F (chip)	0.1000 25V Z			01
-437	US145100	Ceramic Capacitor-F (chip)	0.1000 25V Z			01
C438	VR328100	Mylar Capacitor (chip)	.00022 50V J			01
C439	VP864400	Mylar Capacitor (chip)	0.0047 16V J			01
C440	VR328100	Mylar Capacitor (chip)	.00022 50V J			01
C441	VP864400	Mylar Capacitor (chip)	0.0047 16V J			01
C442	US145100	Ceramic Capacitor-F (chip)	0.1000 25V Z			01
-470	US145100	Ceramic Capacitor-F (chip)	0.1000 25V Z			01
C471	UF038100	Electrolytic Cap. (chip)	100 16V			01
C472	US145100	Ceramic Capacitor-F (chip)	0.1000 25V Z			01
C473	UF038100	Electrolytic Cap. (chip)	100 16V			01
C474	US145100	Ceramic Capacitor-F (chip)	0.1000 25V Z			01
-483	US145100	Ceramic Capacitor-F (chip)	0.1000 25V Z			01
C484	VR328100	Mylar Capacitor (chip)	.00022 50V J			01
C485	VP864400	Mylar Capacitor (chip)	0.0047 16V J			01
C486	VR328100	Mylar Capacitor (chip)	.00022 50V J			01
C487	VP864400	Mylar Capacitor (chip)	0.0047 16V J			01
C488	US145100	Ceramic Capacitor-F (chip)	0.1000 25V Z			01
-516	US145100	Ceramic Capacitor-F (chip)	0.1000 25V Z			01
C517	UF038100	Electrolytic Cap. (chip)	100 16V			01
C518	US145100	Ceramic Capacitor-F (chip)	0.1000 25V Z			01
C519	UF038100	Electrolytic Cap. (chip)	100 16V			01
C520	US145100	Ceramic Capacitor-F (chip)	0.1000 25V Z			01
-529	US145100	Ceramic Capacitor-F (chip)	0.1000 25V Z			01
C530	VR328100	Mylar Capacitor (chip)	.00022 50V J			01
C531	VP864400	Mylar Capacitor (chip)	0.0047 16V J			01
C532	VR328100	Mylar Capacitor (chip)	.00022 50V J			01
C533	VP864400	Mylar Capacitor (chip)	0.0047 16V J			01
C534	US145100	Ceramic Capacitor-F (chip)	0.1000 25V Z			01
-562	US145100	Ceramic Capacitor-F (chip)	0.1000 25V Z			01
C563	UF038100	Electrolytic Cap. (chip)	100 16V			01
C564	US145100	Ceramic Capacitor-F (chip)	0.1000 25V Z			01
-570	US145100	Ceramic Capacitor-F (chip)	0.1000 25V Z			01
C571	VR328100	Mylar Capacitor (chip)	.00022 50V J			01
C572	VP864400	Mylar Capacitor (chip)	0.0047 16V J			01
C573	US145100	Ceramic Capacitor-F (chip)	0.1000 25V Z			01
-585	US145100	Ceramic Capacitor-F (chip)	0.1000 25V Z			01
C587	VR328100	Mylar Capacitor (chip)	.00022 50V J			01
C588	VP864400	Mylar Capacitor (chip)	0.0047 16V J			01
C599	VR328100	Mylar Capacitor (chip)	.00022 50V J			01
C600	VP864400	Mylar Capacitor (chip)	0.0047 16V J			01
C601	US145100	Ceramic Capacitor-F (chip)	0.1000 25V Z			01

* New Parts

RANK: Japan only

REF. NO.	PART NO.	DESCRIPTION		REMARKS	QTY	RANK
-629	U5145100	Ceramic Capacitor-F (chip)	0.1000 25V Z			01
C630	UF038100	Electrolytic Cap. (chip)	100 16V			01
C631	U5145100	Ceramic Capacitor-F (chip)	0.1000 25V Z			01
-635	U5145100	Ceramic Capacitor-F (chip)	0.1000 25V Z			01
C636	VR328100	Mylar Capacitor (chip)	.00022 50V J			01
C637	VP864400	Mylar Capacitor (chip)	0.0047 16V J			01
C638	U5145100	Ceramic Capacitor-F (chip)	0.1000 25V Z			01
-858	U5145100	Ceramic Capacitor-F (chip)	0.1000 25V Z			01
C659	UB051479	Monolithic Ceramic Cap.	SL 47P 50V J			01
C660	U5145100	Ceramic Capacitor-F (chip)	0.1000 25V Z			01
-862	U5145100	Ceramic Capacitor-F (chip)	0.1000 25V Z			01
C884	U5145100	Ceramic Capacitor-F (chip)	0.1000 25V Z			01
-886	U5145100	Ceramic Capacitor-F (chip)	0.1000 25V Z			01
C887	UF119100	Electrolytic Cap. (chip)	1000 6.3V UUR0J1			02
C888	UF119100	Electrolytic Cap. (chip)	1000 6.3V UUR0J1			02
C889	UB051680	Monolithic Ceramic Cap.	SL 68P 50V J			01
C690	UB012330	Monolithic Ceramic Cap.	B 330P 50V K			01
C891	UB052470	Monolithic Ceramic Cap.	SL 470P 50V J			01
C895	U5064100	Ceramic Capacitor-B (chip)	0.0100 50V K			01
C898	UB051479	Monolithic Ceramic Cap.	SL 47P 50V J			01
C899	UB013100	Monolithic Ceramic Cap.	B 1000P 50V K			01
C901	UF046470	Electrolytic Cap. (chip)	4.7 25V			01
C903	UB245220	Monolithic Ceramic Cap.	F 0.220 25V Z			01
C905	V8878500	Electrolytic Cap. (chip)	150 16V			04
C907	V8878500	Electrolytic Cap. (chip)	150 16V			04
C909	V8878900	Electrolytic Cap. (chip)	330 6.3V			04
C911	V8878900	Electrolytic Cap. (chip)	330 6.3V			04
C913	V8878900	Electrolytic Cap. (chip)	330 6.3V			04
C914	UF119100	Electrolytic Cap. (chip)	1000 6.3V UUR0J1			02
C920	UF017470	Electrolytic Cap. (chip)	47 6.3V			01
C930	UF017470	Electrolytic Cap. (chip)	47 6.3V			01
C931	U5145100	Ceramic Capacitor-F (chip)	0.1000 25V Z			01
-940	U5145100	Ceramic Capacitor-F (chip)	0.1000 25V Z			01
C941	UF017470	Electrolytic Cap. (chip)	47 6.3V			01
C942	U5145100	Ceramic Capacitor-F (chip)	0.1000 25V Z			01
-955	U5145100	Ceramic Capacitor-F (chip)	0.1000 25V Z			01
C960	U5145100	Ceramic Capacitor-F (chip)	0.1000 25V Z			01
CN101	V8893000	Connector Plug	8931E 80P TE			
CN102	V8893100	Connector Plug	8931E 100P TE			
CN103	VB390400	Connector Base Post	PH 8P TE			01
CN104	VB390400	Connector Base Post	PH 8P TE			01
CN105	VQ048100	Connector, FFC	52045 32P TE			01
CN106	VP327200	Connector, FFC	52045 30P TE			01
CN107	VQ048000	Connector, FFC	52045 31P TE			02
CN108	VP127700	Connector, FFC	52045 24P TE			01
CN109	VO022100	Connector, FFC	52045 40P TE			02
CN110	VQ048500	Connector, FFC	52046 96P TE			02
CN111	VO022100	Connector, FFC	52045 40P TE			02
CN112	VQ048600	Connector, FFC	52045 37P TE			01
CN113	VQ047700	Connector, FFC	52045 22P TE			01
CN114	VQ048100	Connector, FFC	52045 32P TE			01
CN115	VQ048300	Connector, FFC	52045 34P TE			01
CN116	VF728200	Wire Trap	52147 10P TE			01
CN117	VK025600	Wire Trap	52147 12P TE			01
CN118	VF728200	Wire Trap	52147 10P TE			01
CN119	VK025600	Wire Trap	52147 12P TE			01
CN120	VF728200	Wire Trap	52147 10P TE			01
CN121	VK025600	Wire Trap	52147 12P TE			01
CN122	VF728700	Wire Trap	52147 10P TE			01
CN123	VK025600	Wire Trap	52147 12P TE			01
CN124	VK025300	Wire Trap	52147 9P TE			01
CN125	VK025200	Wire Trap	52147 8P TE			01
CN126	VK025700	Wire Trap	52147 13P TE			01
CN127	VK025500	Wire Trap	52147 11P TE			01
CN128	VK025200	Wire Trap	52147 8P TE			01
-139	VK025200	Wire Trap	52147 8P TE			01
CN131	VK025800	Wire Trap	52147 14P TE			01
CN132	VK025500	Wire Trap	52147 11P TE			01
CN133	VK025200	Wire Trap	52147 8P TE			01
CN134	VK024800	Wire Trap	52147 4P TE			01

*: New Parts

RANK: Japan only

REF NO.	PART NO.	DESCRIPTION	REMARKS	QTY	RANK
CN135	VF728200	Wire Trap	52147 10P TE		01
CN136	VK025700	Wire Trap	52147 13P TE		01
CN137	LB932090	Base Post Connector	VH 9P TE		01
CN138	LB932100	Base Post Connector	VH 10P TE		02
CN201	VK024800	Wire Trap	52147 4P TE		01
CN202	VB390400	Connector Base Post	PH 8P TE		01
D101	VT332900	Diode	ISS355 TE-17		01
D102	VT332900	Diode	ISS355 TE-17		01
D105	V2376600	Diode	RB500V-40		01
D107	VU445900	Diode	RB050L-40		02
EM101	VD542700	LC Filter	DSS6NF31C223Q93A		01
-108	VD542700	LC Filter	DSS6NF31C223Q93A		01
FT101	V8952100	FET	TPC8009-H		03
FT103	V8952100	FET	TPC8009-H		03
FT104	V8952100	FET	TPC8009-H		03
IC101	XY961A00	IC	74VHC541SJX	BUFFER	03
IC102	XV242A00	IC	TC74VHCT245AF	TRANSCEIVER	03
IC103	XS775A00	IC	TC7SH04FU	INVERTER	01
IC104	XV242A00	IC	TC74VHCT245AF	TRANSCEIVER	03
IC105	XV242A00	IC	TC74VHCT245AF	TRANSCEIVER	03
IC106	XY874A00	IC	74VHC245SJX	TRANSCEIVER	02
-110	XY874A00	IC	74VHC245SJX	TRANSCEIVER	02
IC111	X3097A00	IC	74LVX4245MTCX	TRANSCEIVER	03
-113	X3097A00	IC	74LVX4245MTCX	TRANSCEIVER	03
IC114	XY874A00	IC	74VHC245SJX	TRANSCEIVER	02
-121	XY874A00	IC	74VHC245SJX	TRANSCEIVER	02
IC122	X3097A00	IC	74LVX4245MTCX	TRANSCEIVER	03
IC123	X3097A00	IC	74LVX4245MTCX	TRANSCEIVER	03
IC124	XY874A00	IC	74VHC245SJX	TRANSCEIVER	02
-128	XY874A00	IC	74VHC245SJX	TRANSCEIVER	02
IC129	XV242A00	IC	TC74VHCT245AF	TRANSCEIVER	03
-131	XV242A00	IC	TC74VHCT245AF	TRANSCEIVER	03
IC132	X3097A00	IC	74LVX4245MTCX	TRANSCEIVER	03
IC133	X3097A00	IC	74LVX4245MTCX	TRANSCEIVER	03
IC134	XZ200A00	IC	74VHC145JX	INVERTER	01
IC136	X3775A00	IC	S1L51252F32S000	PLL2(GATE ARRAY)	08
IC137	X3775A00	IC	S1L51252F32S000	PLL2(GATE ARRAY)	08
IC138	XS775A00	IC	TC7SH04FU	INVERTER	01
IC140	XW422A00	IC	M51953AFP	SYSTEM RESET	01
IC141	X3242A00	IC	74VHC005JX	NAND	
IC142	X4765A00	IC	XC9572XL-10	[CPLD	
IC142	X4765B00	IC	XC9572XL-10		
IC143	XG948E00	IC	YM3436D-FZ	DIR2	11
IC144	XV242A00	IC	TC74VHCT245AF	TRANSCEIVER	03
IC145	XS775A00	IC	TC7SH04FU	INVERTER	01
IC146	XV064A00	IC	TLC2932PWPR	PLL	06
IC147	XS775A00	IC	TC7SH04FU	INVERTER	01
IC148	XY874A00	IC	74VHC245SJX	TRANSCEIVER	02
-151	XY874A00	IC	74VHC245SJX	TRANSCEIVER	02
IC152	XS775A00	IC	TC7SH04FU	INVERTER	01
IC153	XV242A00	IC	TC74VHCT245AF	TRANSCEIVER	03
IC154	XY961A00	IC	74VHC541SJX	BUFFER	03
-157	XY961A00	IC	74VHC541SJX	BUFFER	03
IC158	XV064A00	IC	TLC2932PWPR	PLL	06
IC159	XY874A00	IC	74VHC245SJX	TRANSCEIVER	02
-162	XY874A00	IC	74VHC245SJX	TRANSCEIVER	02
IC163	XW422A00	IC	M51953AFP	SYSTEM RESET	01
IC164	XW633A00	IC	TC7SH32FU(TE86L)	OR	01
IC165	XV242A00	IC	TC74VHCT245AF	TRANSCEIVER	03
IC166	XV242A00	IC	TC74VHCT245AF	TRANSCEIVER	03
IC167	XY874A00	IC	74VHC245SJX	TRANSCEIVER	02
-172	XY874A00	IC	74VHC245SJX	TRANSCEIVER	02
IC173	X4768A00	IC	XC9572XL-10	[CPLD	
IC173	X4768B00	IC	XC9572XL-10		
IC175	XY874A00	IC	74VHC245SJX	TRANSCEIVER	02
IC176	XY874A00	IC	74VHC245SJX	TRANSCEIVER	02
IC178	XY874A00	IC	74VHC245SJX	TRANSCEIVER	02
IC180	XY874A00	IC	74VHC245SJX	TRANSCEIVER	02
IC181	XY874A00	IC	74VHC245SJX	TRANSCEIVER	02
IC183	XY870A00	IC	74VHC157SJX	MULTIPLEXER	01

* New Parts

RANK: Japan only

PM5D/PM5D-RH

REF NO.	PART NO.	DESCRIPTION	REMARKS	QTY	RANK
IC184	XY870A00	IC	74VHC157SJX		01
IC185	XY874A00	IC	74VHC245SJX		02
IC186	XY874A00	IC	74VHC245SJX		02
IC189	XY870A00	IC	74VHC157SJX		01
IC190	XY870A00	IC	74VHC157SJX		01
IC191	XY874A00	IC	74VHC245SJX		02
IC192	XY874A00	IC	74VHC245SJX		02
IC195	XY875A00	IC	74VHC74SJX		01
IC196	XY961A00	IC	74VHC541SJX		03
IC197	X2760B00	IC	K4S641632H-TC75		
IC200	X2760B00	IC	K4S641632H-TC75		
IC201	X2760B00	IC	K4S641632H-TC75		
IC204	X2760B00	IC	K4S641632H-TC75		
IC205	X2760B00	IC	K4S641632H-TC75		
IC208	X2760B00	IC	K4S641632H-TC75		
IC209	X2760B00	IC	K4S641632H-TC75		
IC212	X2760B00	IC	K4S641632H-TC75		
IC213	X2760B00	IC	K4S641632H-TC75		
IC216	X2760B00	IC	K4S641632H-TC75		
IC217	XY874A00	IC	74VHC245SJX		02
IC218	XY874A00	IC	74VHC245SJX		02
IC222	X2360A00	IC	K4S161622D-TC8000		08
IC224	XY874A00	IC	74VHC245SJX		02
IC225	XY874A00	IC	74VHC245SJX		02
IC226	X0149A00	IC	GLT44016-40J4		06
-229	X0149A00	IC	GLT44016-40J4		06
IC230	XY874A00	IC	74VHC245SJX		02
IC233	X0149A00	IC	GLT44016-40J4		06
-236	X0149A00	IC	GLT44016-40J4		06
IC239	XY874A00	IC	74VHC245SJX		02
IC240	XY874A00	IC	74VHC245SJX		02
IC241	X0149A00	IC	GLT44016-40J4		06
-244	X0149A00	IC	GLT44016-40J4		06
IC247	X0149A00	IC	GLT44016-40J4		06
-250	X0149A00	IC	GLT44016-40J4		06
IC253	XY874A00	IC	74VHC245SJX		02
IC257	XY870A00	IC	74VHC157SJX		01
IC258	XY870A00	IC	74VHC157SJX		01
IC260	XY870A00	IC	74VHC157SJX		01
IC261	XY870A00	IC	74VHC157SJX		01
IC263	XV242A00	IC	TC74VHCT245AF		03
-265	XV242A00	IC	TC74VHCT245AF		03
IC266	XY961A00	IC	74VHC541SJX		03
IC267	XV242A00	IC	TC74VHCT245AF		03
IC268	XV242A00	IC	TC74VHCT245AF		03
IC269	XY961A00	IC	74VHC541SJX		03
-271	XY961A00	IC	74VHC541SJX		03
IC273	XY961A00	IC	74VHC541SJX		03
IC274	XV242A00	IC	TC74VHCT245AF		03
IC275	XY961A00	IC	74VHC541SJX		03
IC276	XY961A00	IC	74VHC541SJX		03
IC277	XV242A00	IC	TC74VHCT245AF		03
IC278	XV242A00	IC	TC74VHCT245AF		03
IC279	XY961A00	IC	74VHC541SJX		03
-285	XY961A00	IC	74VHC541SJX		03
IC286	XW633A00	IC	IC75SH32FU(1E85L)		01
IC287	XV242A00	IC	TC74VHCT245AF		03
-289	XV242A00	IC	TC74VHCT245AF		03
IC290	X2005A00	IC	LTC1735CS		09
IC300	X5550A00	IC	LC4064V-75TN100		
IC301	X5551A00	IC	LC4064V-75TN100		
IC302	XV242A00	IC	TC74VHCT245AF		03
IC303	XY874A00	IC	74VHC245SJX		02
-305	XY874A00	IC	74VHC245SJX		02
IC301	X3847A00	IC	S-80142ANMC-JC3-T2		01
ICA01	XV988B00	IC	YSS910-V		09
-A08	XV988B00	IC	YSS910-V		09
ICB01	XZ693B00	IC	YSS919E-H		15
-B14	XZ693B00	IC	YSS919B-H		15
ICG01	X3299A00	IC	MBCG61594-130		11

*: New Parts

RANK: Japan only

REF. NO.	PART NO.	DESCRIPTION	REMARKS	QTY	RANK
-C11	X3299A00	IC	MBCG61594-130		11
L101	GE300610	Ferrite Bead	BL02RN1-R82T4	AT9C2A	01
-104	GE300610	Ferrite Bead	BL02RN1-R82T4		01
L117	GE300610	Ferrite Bead	BL02RN1-R82T4		01
L118	GE300610	Ferrite Bead	BL02RN1-R82T4		01
L200	V8143400	Chip Inductance	BLM21R121SKPT		01
-208	V8143400	Chip Inductance	BLM21R121SKPT		01
L214	V8143400	Chip Inductance	BLM21R121SKPT		01
-229	V8143400	Chip Inductance	BLM21R121SKPT		01
L266	V8143400	Chip Inductance	BLM21R121SKPT		01
-277	V8143400	Chip Inductance	BLM21R121SKPT		01
L290	V8143400	Chip Inductance	BLM21R121SKPT		01
-301	V8143400	Chip Inductance	BLM21R121SKPT		01
L308	V7758900	Coil	CDEF134-H-2R7 2.7uH		04
Q981	VJ 927109	Transistor	25C2T12 Y		01
R101	RD257100	Carbon Resistor (chip)	10.0K 0.1 J		01
R102	RD250000	Carbon Resistor (chip)	0.0 0.0 J		01
-105	RD250000	Carbon Resistor (chip)	0.0 0.0 J		01
R106	RD257100	Carbon Resistor (chip)	10.0K 0.1 J		01
R107	RD250000	Carbon Resistor (chip)	0.0 0.0 J		01
-112	RD250000	Carbon Resistor (chip)	0.0 0.0 J		01
R113	RD150000	Carbon Resistor (chip)	0.0 1/4 J		01
R114	RD150000	Carbon Resistor (chip)	0.0 1/4 J		01
R115	RD257100	Carbon Resistor (chip)	10.0K 0.1 J		01
-118	RD257100	Carbon Resistor (chip)	10.0K 0.1 J		01
R119	RD250000	Carbon Resistor (chip)	0.0 0.0 J		01
R120	RD257100	Carbon Resistor (chip)	10.0K 0.1 J		01
R121	RD250000	Carbon Resistor (chip)	0.0 0.0 J		01
-126	RD250000	Carbon Resistor (chip)	0.0 0.0 J		01
R127	RD255150	Carbon Resistor (chip)	150.0 0.1 J		01
R128	RD250000	Carbon Resistor (chip)	0.0 0.0 J		01
-130	RD250000	Carbon Resistor (chip)	0.0 0.0 J		01
R131	RD256150	Carbon Resistor (chip)	1.5K 0.1 J		01
R132	RD257100	Carbon Resistor (chip)	10.0K 0.1 J		01
R133	RD257100	Carbon Resistor (chip)	10.0K 0.1 J		01
R134	RD250000	Carbon Resistor (chip)	0.0 0.0 J		01
R135	RD257100	Carbon Resistor (chip)	10.0K 0.1 J		01
R136	RD257100	Carbon Resistor (chip)	10.0K 0.1 J		01
R137	RD250000	Carbon Resistor (chip)	0.0 0.0 J		01
-139	RD250000	Carbon Resistor (chip)	0.0 0.0 J		01
R140	RD255100	Carbon Resistor (chip)	100.0 0.1 J		01
R141	RD250000	Carbon Resistor (chip)	0.0 0.0 J		01
R142	RD250000	Carbon Resistor (chip)	0.0 0.0 J		01
R143	VI194600	Metal Film Resistor (chip)	750.0 1/10 D		01
R144	VI196100	Metal Film Resistor (chip)	3.3K 1/10 D		01
R145	RD250000	Carbon Resistor (chip)	0.0 0.0 J		01
-148	RD250000	Carbon Resistor (chip)	0.0 0.0 J		01
R149	VI196100	Metal Film Resistor (chip)	3.3K 1/10 D		01
R150	VI193700	Metal Film Resistor (chip)	330.0 1/10 D		01
R151	VI196000	Metal Film Resistor (chip)	3.0K 1/10 D		01
R152	RD256150	Carbon Resistor (chip)	1.5K 0.1 J		01
R153	RD250000	Carbon Resistor (chip)	0.0 0.0 J		01
-155	RD250000	Carbon Resistor (chip)	0.0 0.0 J		01
R156	RD255150	Carbon Resistor (chip)	150.0 0.1 J		01
R157	RD250000	Carbon Resistor (chip)	0.0 0.0 J		01
-164	RD250000	Carbon Resistor (chip)	0.0 0.0 J		01
R165	RD253100	Carbon Resistor (chip)	100.0 0.1 J		01
R166	VI196100	Metal Film Resistor (chip)	3.3K 1/10 D		01
R167	VI193700	Metal Film Resistor (chip)	330.0 1/10 D		01
R168	VI196000	Metal Film Resistor (chip)	3.0K 1/10 D		01
R169	RD257100	Carbon Resistor (chip)	10.0K 0.1 J		01
-171	RD257100	Carbon Resistor (chip)	10.0K 0.1 J		01
R172	RD250000	Carbon Resistor (chip)	0.0 0.0 J		01
R173	RD254470	Carbon Resistor (chip)	47.0 0.1 J		01
R174	RD254220	Carbon Resistor (chip)	22.0 0.1 J		01
-177	RD254220	Carbon Resistor (chip)	22.0 0.1 J		01
R178	RD257100	Carbon Resistor (chip)	10.0K 0.1 J		01
R179	RD257100	Carbon Resistor (chip)	10.0K 0.1 J		01
R180	VI195700	Metal Film Resistor (chip)	2.2K 1/10 D		01
R181	VI195700	Metal Film Resistor (chip)	2.2K 1/10 D		01

★ New Parts

RANK: j apam only

PM5D/PM5D-RH

REF NO.	PART NO.	DESCRIPTION	REMARKS	QTY	RANK
R182	RD257100	Carbon Resistor (chip)	10.0K 0.1 J		01
R183	RD257100	Carbon Resistor (chip)	10.0K 0.1 J		01
R184	VI195700	Metal Film Resistor (chip)	2.2K 1/10 D		01
R185	VI195700	Metal Film Resistor (chip)	2.2K 1/10 D		01
R186	RD257100	Carbon Resistor (chip)	10.0K 0.1 J		01
R187	RD257100	Carbon Resistor (chip)	10.0K 0.1 J		01
R188	VI195700	Metal Film Resistor (chip)	2.2K 1/10 D		01
R189	VI195700	Metal Film Resistor (chip)	2.2K 1/10 D		01
R190	RD257100	Carbon Resistor (chip)	10.0K 0.1 J		01
R191	RD257100	Carbon Resistor (chip)	10.0K 0.1 J		01
R192	VI195700	Metal Film Resistor (chip)	2.2K 1/10 D		01
R193	VI195700	Metal Film Resistor (chip)	2.2K 1/10 D		01
R194	RD257100	Carbon Resistor (chip)	10.0K 0.1 J		01
R195	RD257100	Carbon Resistor (chip)	10.0K 0.1 J		01
R196	VI195700	Metal Film Resistor (chip)	2.2K 1/10 D		01
R197	VI195700	Metal Film Resistor (chip)	2.2K 1/10 D		01
R198	RD257100	Carbon Resistor (chip)	10.0K 0.1 J		01
R199	VI195700	Metal Film Resistor (chip)	2.2K 1/10 D		01
R200	RD257100	Carbon Resistor (chip)	10.0K 0.1 J		01
R201	RD257100	Carbon Resistor (chip)	10.0K 0.1 J		01
R202	VI195700	Metal Film Resistor (chip)	2.2K 1/10 D		01
R203	VI195700	Metal Film Resistor (chip)	2.2K 1/10 D		01
R204	RD257100	Carbon Resistor (chip)	10.0K 0.1 J		01
R205	VI195700	Metal Film Resistor (chip)	2.2K 1/10 D		01
R206	RD254220	Carbon Resistor (chip)	22.0 0.1 J		01
-209	RD254220	Carbon Resistor (chip)	22.0 0.1 J		01
R210	RD254470	Carbon Resistor (chip)	47.0 0.1 J		01
R211	RD257100	Carbon Resistor (chip)	10.0K 0.1 J		01
-218	RD257100	Carbon Resistor (chip)	10.0K 0.1 J		01
R219	RD254220	Carbon Resistor (chip)	22.0 0.1 J		01
-226	RD254220	Carbon Resistor (chip)	22.0 0.1 J		01
R227	RD257100	Carbon Resistor (chip)	10.0K 0.1 J		01
R228	RD257330	Carbon Resistor (chip)	33.0K 0.1 J		01
R230	RD254100	Carbon Resistor (chip)	10.0 0.1 J		01
R231	RD254100	Carbon Resistor (chip)	10.0 0.1 J		01
R236	RD253470	Carbon Resistor (chip)	4.7 0.1 J		01
R237	RD253470	Carbon Resistor (chip)	4.7 0.1 J		01
R240	RD250000	Carbon Resistor (chip)	0.0 0.0 J		01
R242	V8106300	Carbon Resistor (chip)	5.1mm 2W J		02
R244	RD257160	Carbon Resistor (chip)	16.0K 0.1 J		01
R245	RD256750	Carbon Resistor (chip)	7.5K 0.1 J		01
R401	RD250000	Carbon Resistor (chip)	0.0 0.0 J		01
-414	RD250000	Carbon Resistor (chip)	0.0 0.0 J		01
R501	RD254470	Carbon Resistor (chip)	47.0 0.1 J		01
-506	RD254470	Carbon Resistor (chip)	47.0 0.1 J		01
R507	RD254100	Carbon Resistor (chip)	10.0 0.1 J		01
-512	RD254100	Carbon Resistor (chip)	10.0 0.1 J		01
R513	RD254470	Carbon Resistor (chip)	47.0 0.1 J		01
-527	RD254470	Carbon Resistor (chip)	47.0 0.1 J		01
R526	RD254220	Carbon Resistor (chip)	22.0 0.1 J		01
-542	RD254220	Carbon Resistor (chip)	22.0 0.1 J		01
R550	RD254470	Carbon Resistor (chip)	47.0 0.1 J		01
-568	RD254470	Carbon Resistor (chip)	47.0 0.1 J		01
R570	RD254220	Carbon Resistor (chip)	22.0 0.1 J		01
-594	RD254220	Carbon Resistor (chip)	22.0 0.1 J		01
R595	RD250000	Carbon Resistor (chip)	0.0 0.0 J		01
-599	RD250000	Carbon Resistor (chip)	0.0 0.0 J		01
R600	RD254220	Carbon Resistor (chip)	22.0 0.1 J		01
-604	RD254220	Carbon Resistor (chip)	22.0 0.1 J		01
R605	RD255100	Carbon Resistor (chip)	100.0 0.1 J		01
-658	RD255100	Carbon Resistor (chip)	100.0 0.1 J		01
R659	RD254470	Carbon Resistor (chip)	47.0 0.1 J		01
R660	RD257100	Carbon Resistor (chip)	10.0K 0.1 J		01
R661	RD250000	Carbon Resistor (chip)	0.0 0.0 J		01
-671	RD250000	Carbon Resistor (chip)	0.0 0.0 J		01
R672	RD254470	Carbon Resistor (chip)	47.0 0.1 J		01
-693	RD254470	Carbon Resistor (chip)	47.0 0.1 J		01
R700	RD250000	Carbon Resistor (chip)	0.0 0.0 J		01
-705	RD250000	Carbon Resistor (chip)	0.0 0.0 J		01
R901	VI196800	Metal Film Resistor (chip)	5.6K 1/10 D		01

*: New Parts

RANK: J apan only

REF NO.	PART NO.	DESCRIPTION	REMARKS	QTY	NAME
R902	VI196600	Metal Film Resistor (chip)	4.7K 1/10 D		01
R903	VI197400	Metal Film Resistor (chip)	10.0K 1/10 D		01
RA101	RE047100	Resistor Array	10KX4		01
-157	RE047100	Resistor Array	10KX4		01
RA158	RE046100	Resistor Array	1KX4		01
RA159	RE047100	Resistor Array	10KX4		01
-179	RE047100	Resistor Array	10KX4		01
RA181	RE047100	Resistor Array	10KX4		01
-184	RE047100	Resistor Array	10KX4		01
RA187	RE047100	Resistor Array	10KX4		01
RA188	RE044680	Resistor Array	68X4		01
-191	RE044680	Resistor Array	68X4		01
RA192	RE044220	Resistor Array	22X4		01
RA193	RE044220	Resistor Array	22X4		01
RA194	RE047100	Resistor Array	10KX4		01
-198	RE047100	Resistor Array	10KX4		01
RA199	RE044220	Resistor Array	22X4		01
-202	RE044220	Resistor Array	22X4		01
RA203	RE047100	Resistor Array	10KX4		01
-215	RE047100	Resistor Array	10KX4		01
RA301	RE046470	Resistor Array	4.7KX4		01
RA302	RE046470	Resistor Array	4.7KX4		01
X101	V8904500	Quartz Crystal Unit	49.152MHz DSO751SB		
X102	V8904400	Quartz Crystal Unit	45.1504MHz DSO751GB		
X103	VZ156100	Quartz Crystal Unit	60MHz DSO751S		06
X104	VZ156100	Quartz Crystal Unit	60MHz DSO751S		06
	WA769900	Circuit Board	FDA	(X4098C0)	
C1	US064100	Ceramic Capacitor-B (chip)	0.0100 50V K		01
C2	US064100	Ceramic Capacitor-B (chip)	0.0100 50V K		01
C3	UF028100	Electrolytic Cap. (chip)	100 10V		01
C4	VR169000	Monolithic Mylar Capacitor	ECQ-V1H334JL3		01
-6	VR169000	Monolithic Mylar Capacitor	ECQ-V1H334JL3		01
C7	US064100	Ceramic Capacitor-B (chip)	0.0100 50V K		01
C8	US064100	Ceramic Capacitor-B (chip)	0.0100 50V K		01
C9	VR331100	Mylar Capacitor (chip)	0.0470 50V J		01
-11	VR331100	Mylar Capacitor (chip)	0.0470 50V J		01
C12	US064100	Ceramic Capacitor-B (chip)	0.0100 50V K		01
-21	US064100	Ceramic Capacitor-B (chip)	0.0100 50V K		01
C22	VR169000	Monolithic Mylar Capacitor	ECQ-V1H334JL3		01
-24	VR169000	Monolithic Mylar Capacitor	ECQ-V1H334JL3		01
C25	VR331100	Mylar Capacitor (chip)	0.0470 50V J		01
-27	VR331100	Mylar Capacitor (chip)	0.0470 50V J		01
C28	US064100	Ceramic Capacitor-B (chip)	0.0100 50V K		01
-33	US064100	Ceramic Capacitor-B (chip)	0.0100 50V K		01
C34	VR169000	Monolithic Mylar Capacitor	ECQ-V1H334JL3		01
-36	VR169000	Monolithic Mylar Capacitor	ECQ-V1H334JL3		01
C37	US064100	Ceramic Capacitor-B (chip)	0.0100 50V K		01
C38	US064100	Ceramic Capacitor-B (chip)	0.0100 50V K		01
C39	VR331100	Mylar Capacitor (chip)	0.0470 50V J		01
-41	VR331100	Mylar Capacitor (chip)	0.0470 50V J		01
C42	US064100	Ceramic Capacitor-B (chip)	0.0100 50V K		01
-51	US064100	Ceramic Capacitor-B (chip)	0.0100 50V K		01
C52	VR169000	Monolithic Mylar Capacitor	ECQ-V1H334JL3		01
-54	VR169000	Monolithic Mylar Capacitor	ECQ-V1H334JL3		01
C55	VR331100	Mylar Capacitor (chip)	0.0470 50V J		01
-57	VR331100	Mylar Capacitor (chip)	0.0470 50V J		01
C58	US064100	Ceramic Capacitor-B (chip)	0.0100 50V K		01
-63	US064100	Ceramic Capacitor-B (chip)	0.0100 50V K		01
C64	US145100	Ceramic Capacitor-F (chip)	0.1000 25V Z		01
C65	US145100	Ceramic Capacitor-F (chip)	0.1000 25V Z		01
C66	US064100	Ceramic Capacitor-B (chip)	0.0100 50V K		01
C67	US064100	Ceramic Capacitor-B (chip)	0.0100 50V K		01
C68	US145100	Ceramic Capacitor-F (chip)	0.1000 25V Z		01
C69	US145100	Ceramic Capacitor-F (chip)	0.1000 25V Z		01
C70	US064100	Ceramic Capacitor-B (chip)	0.0100 50V K		01
C71	US145100	Ceramic Capacitor-F (chip)	0.1000 25V Z		01
-73	US145100	Ceramic Capacitor-F (chip)	0.1000 25V Z		01
C74	US064100	Ceramic Capacitor-B (chip)	0.0100 50V K		01
C75	US145100	Ceramic Capacitor-F (chip)	0.1000 25V Z		01

* New Parts

RANK: Japan only

PM5D/PM5D-RH

REF NO.	PART NO.	DESCRIPTION	REMARKS	QTY	RANK
-114	US145100	Ceramic Capacitor-F (chip)	0.1000 25V Z		01
C116	US063100	Ceramic Capacitor-B (chip)	1000P 50V K		01
C117	US063100	Ceramic Capacitor-B (chip)	1000P 50V K		01
C119	US063100	Ceramic Capacitor-B (chip)	1000P 50V K		01
C121	US145100	Ceramic Capacitor-F (chip)	0.1000 25V Z		01
-124	US145100	Ceramic Capacitor-F (chip)	0.1000 25V Z		01
C125	UF037100	Electrolytic Cap. (chip)	10 16V		01
C126	US145100	Ceramic Capacitor-F (chip)	0.1000 25V Z		01
-129	US145100	Ceramic Capacitor-F (chip)	0.1000 25V Z		01
C130	UF037100	Electrolytic Cap. (chip)	10 16V		01
C131	US145100	Ceramic Capacitor-F (chip)	0.1000 25V Z		01
-133	US145100	Ceramic Capacitor-F (chip)	0.1000 25V Z		01
* C134	WC370000	Electrolytic Cap.-UD(chip)	220.00 35.0V		01
* C135	WC370000	Electrolytic Cap.-UD(chip)	220.00 35.0V		01
C136	UF147470	Electrolytic Cap. (chip)	47 25V UUR1E4		01
C137	UF147470	Electrolytic Cap. (chip)	47 25V UUR1E4		01
C138	UF028100	Electrolytic Cap. (chip)	100 10V		01
C139	UF147470	Electrolytic Cap. (chip)	47 25V UUR1E4		01
C140	UF147470	Electrolytic Cap. (chip)	47 25V UUR1E4		01
C141	US145100	Ceramic Capacitor-F (chip)	0.1000 25V Z		01
C142	US062100	Ceramic Capacitor-SL(chip)	100P 50V J		01
C143	US062100	Ceramic Capacitor-SL(chip)	100P 50V J		01
* C144	WC370000	Electrolytic Cap.-UD(chip)	220.00 35.0V		01
* C145	WC370000	Electrolytic Cap.-UD(chip)	220.00 35.0V		01
C146	US145100	Ceramic Capacitor-F (chip)	0.1000 25V Z		01
C147	US061470	Ceramic Capacitor-CH(chip)	47P 50V J		01
-149	US061470	Ceramic Capacitor-CH(chip)	47P 50V J		01
C150	US145100	Ceramic Capacitor-F (chip)	0.1000 25V Z		01
C400	US061220	Ceramic Capacitor-CH(chip)	22P 50V J		01
-407	US061220	Ceramic Capacitor-CH(chip)	22P 50V J		01
CN1	VB389900	Connector Base Post	PH 3P TE		01
.3	VB389900	Connector Base Post	PH 3P TE		01
CN4	VA030400	Base Post Connector	5483 4P TE		01
.6	VA030400	Base Post Connector	5483 4P TE		01
CN7	VB389900	Connector Base Post	PH 3P TE		01
.9	VB389900	Connector Base Post	PH 3P TE		01
CN10	VA030400	Base Post Connector	5483 4P TE		01
-12	VA030400	Base Post Connector	5483 4P TE		01
CN13	VB389900	Connector Base Post	PH 3P TE		01
-15	VB389900	Connector Base Post	PH 3P TE		01
CN16	VA030400	Base Post Connector	5483 4P TE		01
-18	VA030400	Base Post Connector	5483 4P TE		01
CN19	VB389900	Connector Base Post	PH 3P TE		01
-21	VB389900	Connector Base Post	PH 3P TE		01
CN22	VA030400	Base Post Connector	5483 4P TE		01
-24	VA030400	Base Post Connector	5483 4P TE		01
CN25	VP127700	Connector, FFC	52046 24P TE		01
CN26	VP082900	Connector, FFC	52045 25P TE		02
CN27	LB932090	Base Post Connector	VH 9P TE		01
CN28	LB932070	Base Post Connector	VH 7P TE		01
CN29	VN520900	Connector, FFC	52045 26P TE		02
CN30	LB932040	Base Post Connector	VH 4P TE		01
CN31	VQ048100	Connector, FFC	52045 32P TE		01
CN32	VK025600	Wire Trap	52147 12P TE		01
CN33	VK025500	Wire Trap	52147 11P TE		01
CN34	VK025600	Wire Trap	52147 12P TE		01
CN35	VK025600	Wire Trap	52147 12P TE		01
CN36	VQ048100	Connector, FFC	52045 32P TE		01
CN37	VK025500	Wire Trap	52147 11P TE		01
CN38	VK025600	Wire Trap	52147 12P TE		01
D1	VT332900	Diode	1SS355 TE-17		01
-25	VT332900	Diode	1SS355 TE-17		01
D27	VT332900	Diode	1SS355 TE-17		01
-38	VT332900	Diode	1SS355 TE-17		01
EM1	WA093400	LC Filter	ZJSR5101-223TA		01
.7	WA093400	LC Filter	ZJSR5101-223TA		01
FT1	WA601900	FET (chip)	2SK208 Y,GR		01
-12	WA601900	FET (chip)	2SK208 Y,GR		01
IC1	X3620A00	IC	NJM78L06UA(TE1)	REGULATOR +6V	01
* IC2	X4983A00	IC	NJM2902M-TE1	OP AMP	01

*: New Parts

RANK: J apan only

REF NO.	PART NO.	DESCRIPTION	REMARKS	QTY	RANK
-13	X4983A00	IC	NJM2902M-TE1		
IC14	IS057410	IC	SN74LV574ANSR	OP AMP	02
IC15	X3701A00	IC	NJU7072M(TE1)	D-FF	04
IC16	XP373A00	IC	HD74HC4051FPEL	OP AMP	02
IC17	XP373A00	IC	HD74HC4051FPEL	MULTIPLEXER	02
IC18	X3700A00	IC	NJU7074M(TE1)	MULTIPLEXER	05
-20	X3700A00	IC	NJU7074M(TE1)	OP AMP	05
IC21	IS057410	IC	SN74LV574ANSR	OP AMP	02
IC22	X5790A00	IC	TC74HC4052AF	D-FF	02
IC23	XY254A00	IC	TC74VHC273F(EL)	MULTIPLEXER	03
IC24	XY254A00	IC	TC74VHC273F(EL)	D-FF	03
IC25	X5790A00	IC	TC74HC4052AF	D-FF	02
IC26	XV973A00	IC	SGH603064F-62F	MULTIPLEXER	07
IC27	X3693A00	IC	SN74LV245APWR	GATE ARRAY	
IC29	XV013A00	IC	TB62705CF(EL)	TRANSCEIVER	
-31	XV013A00	IC	TB62705CF(EL)	LED DRIVER	04
IC32	XV014A00	IC	TD62M8600F	LED DRIVER	04
IC33	XV013A00	IC	TB62705CF(EL)	SOURCE DRIVER	05
-35	XV013A00	IC	TB62705CF(EL)	LED DRIVER	04
IC36	XV014A00	IC	TD62M8600F	LED DRIVER	04
IC37	XV013A00	IC	TB62706CF(EL)	SOURCE DRIVER	05
-39	XV013A00	IC	TB62705CF(EL)	LED DRIVER	04
IC40	XZ217A00	IC	SN74AHC1G08HDCKR	LED DRIVER	04
IC150	XZ217A00	IC	SN74AHC1G08HDCKR	AND	01
R1	RD355330	Carbon Resistor (chip)	330.0 63M J	AND	01
-3	RD355330	Carbon Resistor (chip)	330.0 63M J		01
R4	RF457470	Carbon Resistor (chip)	47.0K D		
-6	RF457470	Carbon Resistor (chip)	47.0K D		
R7	RF457390	Carbon Resistor (chip)	39.0K D		01
-9	RF457390	Carbon Resistor (chip)	39.0K D		01
R10	RF456470	Carbon Resistor (chip)	4.7K D		
-15	RF456470	Carbon Resistor (chip)	4.7K D		
R16	RF458120	Carbon Resistor (chip)	120.0K D		01
R17	RF456470	Carbon Resistor (chip)	4.7K D		
R18	RF458120	Carbon Resistor (chip)	120.0K D		01
R19	RF456470	Carbon Resistor (chip)	4.7K D		
R20	RF458120	Carbon Resistor (chip)	120.0K D		01
R21	RF456470	Carbon Resistor (chip)	4.7K D		
R22	RD157100	Carbon Resistor (chip)	10.0K 1/4 J		01
-24	RD157100	Carbon Resistor (chip)	10.0K 1/4 J		01
R25	RD358100	Carbon Resistor (chip)	100.0K 63M J		01
-27	RD358100	Carbon Resistor (chip)	100.0K 63M J		01
R28	RD358160	Carbon Resistor (chip)	160.0K 63M J		01
-30	RD358160	Carbon Resistor (chip)	160.0K 63M J		01
R31	RD357470	Carbon Resistor (chip)	47.0K 63M J		01
-36	RD357470	Carbon Resistor (chip)	47.0K 63M J		01
R37	VC757500	Metal Oxide Film Resistor	33.0 2W J		01
-39	VC757500	Metal Oxide Film Resistor	33.0 2W J		01
R40	RD356100	Carbon Resistor (chip)	1.0K 63M J		01
-42	RD356100	Carbon Resistor (chip)	1.0K 63M J		01
R43	RD155100	Carbon Resistor (chip)	100.0 1/4 J		01
-45	RD155100	Carbon Resistor (chip)	100.0 1/4 J		01
R46	RD355330	Carbon Resistor (chip)	330.0 63M J		01
-48	RD355330	Carbon Resistor (chip)	330.0 63M J		01
R49	RF457470	Carbon Resistor (chip)	47.0K D		
-51	RF457470	Carbon Resistor (chip)	47.0K D		
R52	RF457390	Carbon Resistor (chip)	39.0K D		01
-54	RF457390	Carbon Resistor (chip)	39.0K D		01
R55	RF456470	Carbon Resistor (chip)	4.7K D		
-60	RF456470	Carbon Resistor (chip)	4.7K D		
R61	RF458120	Carbon Resistor (chip)	120.0K D		01
R62	RF456470	Carbon Resistor (chip)	4.7K D		
R63	RF458120	Carbon Resistor (chip)	120.0K D		01
R64	RF456470	Carbon Resistor (chip)	4.7K D		
R65	RF458120	Carbon Resistor (chip)	120.0K D		01
R66	RF456470	Carbon Resistor (chip)	4.7K D		
R67	RD157100	Carbon Resistor (chip)	10.0K 1/4 J		01
-69	RD157100	Carbon Resistor (chip)	10.0K 1/4 J		01
R70	RD358100	Carbon Resistor (chip)	100.0K 63M J		01
-72	RD358100	Carbon Resistor (chip)	100.0K 63M J		01

* New Parts

RANK: Japan only

PM5D/PM5D-RH

REF NO.	PART NO.	DESCRIPTION	REMARKS	QTY	RANK
R73	RD358160	Carbon Resistor (chip)	160.0K 63M J		01
-75	RD358160	Carbon Resistor (chip)	160.0K 63M J		01
R76	RD357470	Carbon Resistor (chip)	47.0K 63M J		01
-81	RD357470	Carbon Resistor (chip)	47.0K 63M J		01
R82	VC757500	Metal Oxide Film Resistor	33.0 2W J		01
-84	VC757500	Metal Oxide Film Resistor	33.0 2W J		01
R85	RD356100	Carbon Resistor (chip)	1.0K 63M J		01
-87	RD356100	Carbon Resistor (chip)	1.0K 63M J		01
R88	RD155100	Carbon Resistor (chip)	100.0 1/4 J		01
-90	RD155100	Carbon Resistor (chip)	100.0 1/4 J		01
R91	RD355330	Carbon Resistor (chip)	330.0 63M J		01
-93	RD355330	Carbon Resistor (chip)	330.0 63M J		01
R94	RF457470	Carbon Resistor (chip)	47.0K D		01
-96	RF457470	Carbon Resistor (chip)	47.0K D		01
R97	RF457390	Carbon Resistor (chip)	39.0K D		01
-99	RF457390	Carbon Resistor (chip)	39.0K D		01
R100	RF456470	Carbon Resistor (chip)	4.7K D		01
-105	RF456470	Carbon Resistor (chip)	4.7K D		01
R106	RF458120	Carbon Resistor (chip)	120.0K D		01
R107	RF456470	Carbon Resistor (chip)	4.7K D		01
R108	RF458120	Carbon Resistor (chip)	120.0K D		01
R109	RF456470	Carbon Resistor (chip)	4.7K D		01
R110	RF458120	Carbon Resistor (chip)	120.0K D		01
R111	RF456470	Carbon Resistor (chip)	4.7K D		01
R112	RD157100	Carbon Resistor (chip)	10.0K 1/4 J		01
-114	RD157100	Carbon Resistor (chip)	10.0K 1/4 J		01
R115	RD358100	Carbon Resistor (chip)	100.0K 63M J		01
-117	RD358100	Carbon Resistor (chip)	100.0K 63M J		01
R118	RD358160	Carbon Resistor (chip)	160.0K 63M J		01
-120	RD358160	Carbon Resistor (chip)	160.0K 63M J		01
R121	RD357470	Carbon Resistor (chip)	47.0K 63M J		01
-126	RD357470	Carbon Resistor (chip)	47.0K 63M J		01
R127	VC757500	Metal Oxide Film Resistor	33.0 2W J		01
-129	VC757500	Metal Oxide Film Resistor	33.0 2W J		01
R130	RD356100	Carbon Resistor (chip)	1.0K 63M J		01
-132	RD356100	Carbon Resistor (chip)	1.0K 63M J		01
R133	RD155100	Carbon Resistor (chip)	100.0 1/4 J		01
-135	RD155100	Carbon Resistor (chip)	100.0 1/4 J		01
R136	RD355330	Carbon Resistor (chip)	330.0 63M J		01
-138	RD355330	Carbon Resistor (chip)	330.0 63M J		01
R139	RF457470	Carbon Resistor (chip)	47.0K D		01
-141	RF457470	Carbon Resistor (chip)	47.0K D		01
R142	RF457390	Carbon Resistor (chip)	39.0K D		01
-144	RF457390	Carbon Resistor (chip)	39.0K D		01
R145	RF456470	Carbon Resistor (chip)	4.7K D		01
-150	RF456470	Carbon Resistor (chip)	4.7K D		01
R151	RF458120	Carbon Resistor (chip)	120.0K D		01
R152	RF456470	Carbon Resistor (chip)	4.7K D		01
R153	RF458120	Carbon Resistor (chip)	120.0K D		01
R154	RF456470	Carbon Resistor (chip)	4.7K D		01
R155	RF458120	Carbon Resistor (chip)	120.0K D		01
R156	RF456470	Carbon Resistor (chip)	4.7K D		01
R157	RD157100	Carbon Resistor (chip)	10.0K 1/4 J		01
-159	RD157100	Carbon Resistor (chip)	10.0K 1/4 J		01
R160	RD358100	Carbon Resistor (chip)	100.0K 63M J		01
-162	RD358100	Carbon Resistor (chip)	100.0K 63M J		01
R163	RD358160	Carbon Resistor (chip)	160.0K 63M J		01
-165	RD358160	Carbon Resistor (chip)	160.0K 63M J		01
R166	RD357470	Carbon Resistor (chip)	47.0K 63M J		01
-171	RD357470	Carbon Resistor (chip)	47.0K 63M J		01
R172	VC757500	Metal Oxide Film Resistor	33.0 2W J		01
-174	VC757500	Metal Oxide Film Resistor	33.0 2W J		01
R175	RD356100	Carbon Resistor (chip)	1.0K 63M J		01
-177	RD356100	Carbon Resistor (chip)	1.0K 63M J		01
R178	RD155100	Carbon Resistor (chip)	100.0 1/4 J		01
-180	RD155100	Carbon Resistor (chip)	100.0 1/4 J		01
R181	RD356100	Carbon Resistor (chip)	1.0K 63M J		01
R182	RD357270	Carbon Resistor (chip)	27.0K 63M J		01
-193	RD357270	Carbon Resistor (chip)	27.0K 63M J		01
R194	RD355390	Carbon Resistor (chip)	390.0 63M J		01

*: New Parts

RANK: Japan only

REF NO.	PART NO.	DESCRIPTION	REMARKS	QTY	RANK
-202	RD355390	Carbon Resistor (chip)	390.0 63M J		01
R203	RD355120	Carbon Resistor (chip)	120.0 63M J		01
-218	RD355120	Carbon Resistor (chip)	120.0 63M J		01
R219	RD350000	Carbon Resistor (chip)	0 63M J		01
-227	RD350000	Carbon Resistor (chip)	0 63M J		01
R300	RF456270	Carbon Resistor (chip)	2.7K D		
-311	RF456270	Carbon Resistor (chip)	2.7K D		
R312	RD350000	Carbon Resistor (chip)	0 63M J		01
R313	RD354820	Carbon Resistor (chip)	82.0 63M J		01
R400	RD354820	Carbon Resistor (chip)	82.0 63M J		01
-407	RD354820	Carbon Resistor (chip)	82.0 63M J		01
RA1	WA208200	Resistor Array	(10K/20K)+-1/2LSB		05
RA2	RE047100	Resistor Array	10KX4		01
-13	RE047100	Resistor Array	10KX4		01
RA14	RE046100	Resistor Array	1KX4		01
RA15	RE046100	Resistor Array	1KX4		01
RA16	RE046220	Resistor Array	2.2KX4		01
-19	RE046220	Resistor Array	2.2KX4		01
RA20	RE045100	Resistor Array	100X4		01
RA21	RE045100	Resistor Array	100X4		01
TR1	V3033500	Digital Transistor	DTC143XKA TP		01
-3	V3033500	Digital Transistor	DTC143XKA TP		01
TR4	V7798800	Digital Transistor	DTA143ZUA		01
-0	V7798800	Digital Transistor	DTA143ZUA		01
TR7	VU384300	Transistor	2SD1733F5 P,Q,R		01
TR8	VU384100	Transistor	2SB1181F5 P,Q,R		01
TR9	VU384300	Transistor	2SD1733F5 P,Q,R		01
TR10	VU384100	Transistor	2SB1181F5 P,Q,R		01
TR11	VU384300	Transistor	2SD1733F5 P,Q,R		01
TR12	VU384100	Transistor	2SB1181F5 P,Q,R		01
TR13	VU384300	Transistor	2SD1733F5 P,Q,R		01
TR14	VU384100	Transistor	2SB1181F5 P,Q,R		01
TR15	VU384300	Transistor	2SD1733F5 P,Q,R		01
TR16	VU384100	Transistor	2SB1181F5 P,Q,R		01
TR17	VU384300	Transistor	2SD1733F5 P,Q,R		01
TR18	VU384100	Transistor	2SB1181F5 P,Q,R		01
TR19	V3033500	Digital Transistor	DTC143XKA TP		01
-21	V3033500	Digital Transistor	DTC143XKA TP		01
TR22	V7798800	Digital Transistor	DTA143ZUA		01
-24	V7798800	Digital Transistor	DTA143ZUA		01
TR25	VU384300	Transistor	2SD1733F5 P,Q,R		01
TR26	VU384100	Transistor	2SB1181F5 P,Q,R		01
TR27	VU384300	Transistor	2SD1733F5 P,Q,R		01
TR28	VU384100	Transistor	2SB1181F5 P,Q,R		01
TR29	VU384300	Transistor	2SD1733F5 P,Q,R		01
TR30	VU384100	Transistor	2SB1181F5 P,Q,R		01
TR31	VU384300	Transistor	2SD1733F5 P,Q,R		01
TR32	VU384100	Transistor	2SB1181F5 P,Q,R		01
TR33	VU384300	Transistor	2SD1733F5 P,Q,R		01
TR34	VU384100	Transistor	2SB1181F5 P,Q,R		01
TR35	VU384300	Transistor	2SD1733F5 P,Q,R		01
TR36	VU384100	Transistor	2SB1181F5 P,Q,R		01
TR37	V3033500	Digital Transistor	DTC143XKA TP		01
-38	V3033500	Digital Transistor	DTC143XKA TP		01
TR40	V7798800	Digital Transistor	DTA143ZUA		01
-42	V7798800	Digital Transistor	DTA143ZUA		01
TR43	VU384300	Transistor	2SD1733F5 P,Q,R		01
TR44	VU384100	Transistor	2SB1181F5 P,Q,R		01
TR45	VU384300	Transistor	2SD1733F5 P,Q,R		01
TR46	VU384100	Transistor	2SB1181F5 P,Q,R		01
TR47	VU384300	Transistor	2SD1733F5 P,Q,R		01
TR48	VU384100	Transistor	2SB1181F5 P,Q,R		01
TR49	VU384300	Transistor	2SD1733F5 P,Q,R		01
TR50	VU384100	Transistor	2SB1181F5 P,Q,R		01
TR51	VU384300	Transistor	2SD1733F5 P,Q,R		01
TR52	VU384100	Transistor	2SB1181F5 P,Q,R		01
TR53	VU384300	Transistor	2SD1733F5 P,Q,R		01
TR54	VU384100	Transistor	2SB1181F5 P,Q,R		01
TR55	V3033500	Digital Transistor	DTC143XKA TP		01
-57	V3033500	Digital Transistor	DTC143XKA TP		01

* New Parts

RANK: Japan only

PM5D/PM5D-RH

REF NO.	PART NO.	DESCRIPTION		REMARKS	QTY	RANK
TR58	V7798800	Digital Transistor	DTA143ZUA			01
-60	V7798800	Digital Transistor	DTA143ZUA			01
TR61	VU384300	Transistor	2SD1733F5 P,Q,R			01
TR62	VU384100	Transistor	2SB1181F5 P,Q,R			01
TR63	VU384300	Transistor	2SD1733F5 P,Q,R			01
TR64	VU384100	Transistor	2SB1181F5 P,Q,R			01
TR65	VU384300	Transistor	2SD1733F5 P,Q,R			01
TR68	VU384100	Transistor	2SB1181F5 P,Q,R			01
TR67	VU384300	Transistor	2SD1733F5 P,Q,R			01
TR68	VU384100	Transistor	2SB1181F5 P,Q,R			01
TR69	VU384300	Transistor	2SD1733F5 P,Q,R			01
TR70	VU384100	Transistor	2SB1181F5 P,Q,R			01
TR71	VU384300	Transistor	2SD1733F5 P,Q,R			01
TR72	VU384100	Transistor	2SB1181F5 P,Q,R			01
ZD1	VU172000	Zener Diode	UDZ55.6BTE-17 5.6V			01
-24	VU172000	Zener Diode	UDZ55.6BTE-17 5.6V			01
	WA770000	Circuit Board	FDB	(X4158C0)		
C501	US064100	Ceramic Capacitor-B (chip)	0.0100 50V K			01
C502	US064100	Ceramic Capacitor-B (chip)	0.0100 50V K			01
C503	UF028100	Electrolytic Cap. (chip)	100 10V			01
C504	VR169000	Monolithic Mylar Capacitor	ECQ-V1H334JL3			01
-506	VR169000	Monolithic Mylar Capacitor	ECQ-V1H334JL3			01
C507	US064100	Ceramic Capacitor-B (chip)	0.0100 50V K			01
-509	US064100	Ceramic Capacitor-B (chip)	0.0100 50V K			01
C510	VR331100	Mylar Capacitor (chip)	0.0470 50V J			01
-512	VR331100	Mylar Capacitor (chip)	0.0470 50V J			01
C513	US064100	Ceramic Capacitor-B (chip)	0.0100 50V K			01
-521	US064100	Ceramic Capacitor-B (chip)	0.0100 50V K			01
C522	VR169000	Monolithic Mylar Capacitor	ECQ-V1H334JL3			01
-524	VR169000	Monolithic Mylar Capacitor	ECQ-V1H334JL3			01
C525	VR331100	Mylar Capacitor (chip)	0.0470 50V J			01
-527	VR331100	Mylar Capacitor (chip)	0.0470 50V J			01
C528	US064100	Ceramic Capacitor-B (chip)	0.0100 50V K			01
-533	US064100	Ceramic Capacitor-B (chip)	0.0100 50V K			01
C534	VR169000	Monolithic Mylar Capacitor	ECQ-V1H334JL3			01
-536	VR169000	Monolithic Mylar Capacitor	ECQ-V1H334JL3			01
C537	US064100	Ceramic Capacitor-B (chip)	0.0100 50V K			01
-539	US064100	Ceramic Capacitor-B (chip)	0.0100 50V K			01
C540	VR331100	Mylar Capacitor (chip)	0.0470 50V J			01
-542	VR331100	Mylar Capacitor (chip)	0.0470 50V J			01
C543	US064100	Ceramic Capacitor-B (chip)	0.0100 50V K			01
-551	US064100	Ceramic Capacitor-B (chip)	0.0100 50V K			01
C552	VR169000	Monolithic Mylar Capacitor	ECQ-V1H334JL3			01
-554	VR169000	Monolithic Mylar Capacitor	ECQ-V1H334JL3			01
C555	VR331100	Mylar Capacitor (chip)	0.0470 50V J			01
-557	VR331100	Mylar Capacitor (chip)	0.0470 50V J			01
C558	US064100	Ceramic Capacitor-B (chip)	0.0100 50V K			01
-563	US064100	Ceramic Capacitor-B (chip)	0.0100 50V K			01
C564	US145100	Ceramic Capacitor-F (chip)	0.1000 25V Z			01
C565	US145100	Ceramic Capacitor-F (chip)	0.1000 25V Z			01
C566	US064100	Ceramic Capacitor-B (chip)	0.0100 50V K			01
C567	US064100	Ceramic Capacitor-B (chip)	0.0100 50V K			01
C568	US145100	Ceramic Capacitor-F (chip)	0.1000 25V Z			01
C569	US145100	Ceramic Capacitor-F (chip)	0.1000 25V Z			01
C570	US064100	Ceramic Capacitor-B (chip)	0.0100 50V K			01
C571	US145100	Ceramic Capacitor-F (chip)	0.1000 25V Z			01
-573	US145100	Ceramic Capacitor-F (chip)	0.1000 25V Z			01
C574	US064100	Ceramic Capacitor-B (chip)	0.0100 50V K			01
C575	US145100	Ceramic Capacitor-F (chip)	0.1000 25V Z			01
-613	US145100	Ceramic Capacitor-F (chip)	0.1000 25V Z			01
C614	US063100	Ceramic Capacitor-B (chip)	1000P 50V K			01
-619	US063100	Ceramic Capacitor-B (chip)	1000P 50V K			01
C620	US145100	Ceramic Capacitor-F (chip)	0.1000 25V Z			01
-623	US145100	Ceramic Capacitor-F (chip)	0.1000 25V Z			01
C627	US063100	Ceramic Capacitor-B (chip)	1000P 50V K			01
-629	US063100	Ceramic Capacitor-B (chip)	1000P 50V K			01
C630	US145100	Ceramic Capacitor-F (chip)	0.1000 25V Z			01
-634	US145100	Ceramic Capacitor-F (chip)	0.1000 25V Z			01
C635	UF037100	Electrolytic Cap. (chip)	10 16V			01

*: New Parts

RANK: Japan only

REF NO.	PART NO.	DESCRIPTION	REMARKS	QTY	NAME
C636	US145100	Ceramic Capacitor-F (chip)	0.1000 25V Z		01
-639	US145100	Ceramic Capacitor-F (chip)	0.1000 25V Z		01
C640	UF037100	Electrolytic Cap. (chip)	10 16V		01
C641	US145100	Ceramic Capacitor-F (chip)	0.1000 25V Z		01
-650	US145100	Ceramic Capacitor-F (chip)	0.1000 25V Z		01
* C651	WC370000	Electrolytic Cap.-UD(chip)	220.00 35.0V		01
* C652	WC370000	Electrolytic Cap.-UD(chip)	220.00 35.0V		01
C653	UF147470	Electrolytic Cap. (chip)	47 25V UUR1E4		01
C654	UF147470	Electrolytic Cap. (chip)	47 25V UUR1E4		01
C655	UF028100	Electrolytic Cap. (chip)	100 10V		01
C656	UF147470	Electrolytic Cap. (chip)	47 25V UUR1E4		01
C657	UF147470	Electrolytic Cap. (chip)	47 25V UUR1E4		01
* C658	WC370000	Electrolytic Cap.-UD(chip)	220.00 35.0V		01
* C659	WC370000	Electrolytic Cap.-UD(chip)	220.00 35.0V		01
C660	US062100	Ceramic Capacitor-SL(chip)	100P 50V J		01
C661	US062100	Ceramic Capacitor-SL(chip)	100P 50V J		01
C662	US145100	Ceramic Capacitor-F (chip)	0.1000 25V Z		01
C663	US061470	Ceramic Capacitor-CH(chip)	47P 50V J		01
-665	US061470	Ceramic Capacitor-CH(chip)	47P 50V J		01
C700	US061680	Ceramic Capacitor-SL(chip)	68P 50V J		01
C724	US145100	Ceramic Capacitor F (chip)	0.1000 25V Z		01
C725	US061470	Ceramic Capacitor-CH(chip)	47P 50V J		01
C726	US061470	Ceramic Capacitor-CH(chip)	47P 50V J		01
C750	US061220	Ceramic Capacitor-CH(chip)	22P 50V J		01
-757	US061220	Ceramic Capacitor-CH(chip)	22P 50V J		01
CN501	VB389900	Connector Base Post	PH 3P TE		01
-503	VB389900	Connector Base Post	PH 3P TE		01
CN504	VA030400	Base Post Connector	5483 4P TE		01
-506	VA030400	Base Post Connector	5483 4P TE		01
CN507	VB389900	Connector Base Post	PH 3P TE		01
-509	VB389900	Connector Base Post	PH 3P TE		01
CN510	VA030400	Base Post Connector	5483 4P TE		01
-512	VA030400	Base Post Connector	5483 4P TE		01
CN513	VB389900	Connector Base Post	PH 3P TE		01
-515	VB389900	Connector Base Post	PH 3P TE		01
CN516	VA030400	Base Post Connector	5483 4P TE		01
-518	VA030400	Base Post Connector	5483 4P TE		01
CN519	VB389900	Connector Base Post	PH 3P TE		01
-521	VB389900	Connector Base Post	PH 3P TE		01
CN522	VA030400	Base Post Connector	5483 4P TE		01
-524	VA030400	Base Post Connector	5483 4P TE		01
CN525	VP127700	Connector, FFC	52045 24P TE		01
CN526	VP327200	Connector, FFC	52045 30P TE		01
CN527	VQ047500	Connector, FFC	52045 20P TE		01
CN528	LB932080	Base Post Connector	VH 8P TE		01
CN529	LB932060	Base Post Connector	VH 8P TE		01
CN530	VK025600	Wire Trap	52147 12P TE		01
CN531	VK025600	Wire Trap	52147 12P TE		01
CN532	LB932030	Base Post Connector	VH 3P TE		01
CN533	VK025500	Wire Trap	52147 11P TE		01
CN534	VK025500	Wire Trap	52147 11P TE		01
CN535	VK025600	Wire Trap	52147 12P TE		01
CN536	VK025600	Wire Trap	52147 12P TE		01
CN537	VN520900	Connector, FFC	52045 26P TE		02
CN538	VQ048100	Connector, FFC	52045 32P TE		01
CN539	VQ048100	Connector, FFC	52045 32P TE		01
CN540	VP082900	Connector, FFC	52045 25P TE		02
D501	VT332900	Diode	1SS355 TE-17		01
-525	VT332900	Diode	1SS355 TE-17		01
D527	VT332900	Diode	1SS355 TE-17		01
-538	VT332900	Diode	1SS355 TE-17		01
EM500	WA093400	LC Filter	ZJSRS101-223TA		01
-506	WA093400	LC Filter	ZJSRS101-223TA		01
FT501	WA601900	FET (chip)	2SK208 Y,GR		01
-512	WA601900	FET (chip)	2SK208 Y,GR		01
* IC501	X3620A00	IC	NJM78L06UA(TE1)	REGULATOR +6V	01
* IC502	X4983A00	IC	NJM2902M-TE1	OP AMP	01
* -513	X4983A00	IC	NJM2902M-TE1	OP AMP	01
IC514	IS057410	IC	SN74LV574ANSR	D-FF	02
IC515	X3701A00	IC	NUJ7072M(TE1)	OP AMP	04

* New Parts

RANK: Japan only

PM5D/PM5D-RH

REF NO.	PART NO.	DESCRIPTION		REMARKS	QTY	RANK
IC516	XP373A00	IC	HD74HC4051FPEL	MULTIPLEXER		02
IC517	XP373A00	IC	HD74HC4051FPEL	MULTIPLEXER		02
IC518	X3700A00	IC	NJU7074M(TE1)	OP AMP		05
-520	X3700A00	IC	NJU7074M(TE1)	OP AMP		05
IC521	IS057410	IC	SN74LV574ANSR	D-FF		02
IC522	X5790A00	IC	TC74HC4052AF	MULTIPLEXER		02
IC523	XY254A00	IC	TC74VHC273F(EL)	D-FF		03
IC524	XY254A00	IC	TC74VHC273F(EL)	D-FF		03
IC525	X5790A00	IC	TC74HC4052AF	MULTIPLEXER		02
IC526	XV973A00	IC	SGH803064F-62F	GATE ARRAY		07
IC527	X3693A00	IC	SN74LV245APWR	TRANSCEIVER		
-530	X3693A00	IC	SN74LV245APWR	TRANSCEIVER		
IC532	X3693A00	IC	SN74LV245APWR	TRANSCEIVER		
IC533	XV013A00	IC	TB62705CF(EL)	LED DRIVER		04
-535	XV013A00	IC	TB62705CF(EL)	LED DRIVER		04
IC536	XV014A00	IC	TD62M8600F	SOURCE DRIVER		05
IC537	XV013A00	IC	TB62705CF(EL)	LED DRIVER		04
-539	XV013A00	IC	TB62705CF(EL)	LED DRIVER		04
IC540	XV014A00	IC	TD62M8600F	SOURCE DRIVER		05
IC541	XV013A00	IC	TB62705CF(EL)	LED DRIVER		04
-543	XV013A00	IC	TB62705CF(EL)	LED DRIVER		04
IC544	IS059500	IC	HD74LV595AFPEL	REGISTER		02
IC545	XT163A00	IC	TC74HC238AF	TRANSCEIVER		03
IC546	IS000000	IC	HD74LV00AFPEL	NAND		01
IC547	IS000000	IC	HD74LV00AFPEL	NAND		01
IC548	IS007400	IC	HD74LV74AFPEL	D-FF		01
IC549	IS000000	IC	HD74LV00AFPEL	NAND		01
IO731	XZ217A00	IC	SN74AHC1G08HDCR	AND		01
R1	RF456270	Carbon Resistor (chip)	2.7K D			
-12	RF456270	Carbon Resistor (chip)	2.7K D			
R14	RD355390	Carbon Resistor (chip)	390.0 63M J			01
R100	RD354820	Carbon Resistor (chip)	82.0 63M J			01
R101	RD350000	Carbon Resistor (chip)	0 63M J			01
R102	RD354820	Carbon Resistor (chip)	82.0 63M J			01
-104	RD354820	Carbon Resistor (chip)	82.0 63M J			01
R105	RD350000	Carbon Resistor (chip)	0 63M J			01
R106	RD354820	Carbon Resistor (chip)	82.0 63M J			01
R501	RD355330	Carbon Resistor (chip)	330.0 63M J			01
-503	RD355330	Carbon Resistor (chip)	330.0 63M J			01
R504	RF457470	Carbon Resistor (chip)	47.0K D			
-506	RF457470	Carbon Resistor (chip)	47.0K D			
R507	RF457390	Carbon Resistor (chip)	39.0K D			01
-509	RF457390	Carbon Resistor (chip)	39.0K D			01
R510	RF456470	Carbon Resistor (chip)	4.7K D			
-515	RF456470	Carbon Resistor (chip)	4.7K D			
R516	RF458120	Carbon Resistor (chip)	120.0K D			01
R517	RF456470	Carbon Resistor (chip)	4.7K D			
R518	RD157100	Carbon Resistor (chip)	10.0K 1/4 J			01
R519	RF458120	Carbon Resistor (chip)	120.0K D			01
R520	RF456470	Carbon Resistor (chip)	4.7K D			
R521	RD157100	Carbon Resistor (chip)	10.0K 1/4 J			01
R522	RF458120	Carbon Resistor (chip)	120.0K D			01
R523	RF456470	Carbon Resistor (chip)	4.7K D			
R524	RD157100	Carbon Resistor (chip)	10.0K 1/4 J			01
R525	RD358100	Carbon Resistor (chip)	100.0K 63M J			01
-527	RD358100	Carbon Resistor (chip)	100.0K 63M J			01
R528	RD358160	Carbon Resistor (chip)	160.0K 63M J			01
-530	RD358160	Carbon Resistor (chip)	160.0K 63M J			01
R531	RD357470	Carbon Resistor (chip)	47.0K 63M J			01
-536	RD357470	Carbon Resistor (chip)	47.0K 63M J			01
R537	VC757500	Metal Oxide Film Resistor	33.0 2W J			01
-539	VC757500	Metal Oxide Film Resistor	33.0 2W J			01
R540	RD356100	Carbon Resistor (chip)	1.0K 63M J			01
-542	RD356100	Carbon Resistor (chip)	1.0K 63M J			01
R543	RD155100	Carbon Resistor (chip)	100.0 1/4 J			01
-545	RD155100	Carbon Resistor (chip)	100.0 1/4 J			01
R546	RD355330	Carbon Resistor (chip)	330.0 63M J			01
-548	RD355330	Carbon Resistor (chip)	330.0 63M J			01
R549	RF457470	Carbon Resistor (chip)	47.0K D			
-551	RF457470	Carbon Resistor (chip)	47.0K D			

*: New Parts

RANK: J apan only

REF NO.	PART NO.	DESCRIPTION	REMARKS	QTY	RANK
R552	RF457390	Carbon Resistor (chip)	39.0K D		01
-554	RF457390	Carbon Resistor (chip)	39.0K D		01
R555	RF456470	Carbon Resistor (chip)	4.7K D		
-560	RF456470	Carbon Resistor (chip)	4.7K D		
R561	RF458120	Carbon Resistor (chip)	120.0K D		01
R562	RF456470	Carbon Resistor (chip)	4.7K D		
R563	RF458120	Carbon Resistor (chip)	120.0K D		01
R564	RF456470	Carbon Resistor (chip)	4.7K D		
R565	RF458120	Carbon Resistor (chip)	120.0K D		01
R566	RF456470	Carbon Resistor (chip)	4.7K D		
R567	RD157100	Carbon Resistor (chip)	10.0K 1/4 J		01
-569	RD157100	Carbon Resistor (chip)	10.0K 1/4 J		01
R570	RD358100	Carbon Resistor (chip)	100.0K 63M J		01
-572	RD358100	Carbon Resistor (chip)	100.0K 63M J		01
R573	RD358160	Carbon Resistor (chip)	160.0K 63M J		01
-575	RD358160	Carbon Resistor (chip)	160.0K 63M J		01
R576	RD357470	Carbon Resistor (chip)	47.0K 63M J		01
-581	RD357470	Carbon Resistor (chip)	47.0K 63M J		01
R582	VC757500	Metal Oxide Film Resistor	33.0 2W J		01
-584	VC757500	Metal Oxide Film Resistor	33.0 2W J		01
R585	RD356100	Carbon Resistor (chip)	1.0K 63M J		01
-587	RD356100	Carbon Resistor (chip)	1.0K 63M J		01
R588	RD155100	Carbon Resistor (chip)	100.0 1/4 J		01
-590	RD155100	Carbon Resistor (chip)	100.0 1/4 J		01
R591	RD355330	Carbon Resistor (chip)	330.0 63M J		01
-593	RD355330	Carbon Resistor (chip)	330.0 63M J		01
R594	RF457470	Carbon Resistor (chip)	47.0K D		
-596	RF457470	Carbon Resistor (chip)	47.0K D		
R597	RF457390	Carbon Resistor (chip)	39.0K D		01
-599	RF457390	Carbon Resistor (chip)	39.0K D		01
R600	RF456470	Carbon Resistor (chip)	4.7K D		
-605	RF456470	Carbon Resistor (chip)	4.7K D		
R606	RF458120	Carbon Resistor (chip)	120.0K D		01
R607	RF456470	Carbon Resistor (chip)	4.7K D		
R608	RF458120	Carbon Resistor (chip)	120.0K D		01
R609	RF456470	Carbon Resistor (chip)	4.7K D		
R610	RF458120	Carbon Resistor (chip)	120.0K D		01
R611	RF456470	Carbon Resistor (chip)	4.7K D		
R612	RD157100	Carbon Resistor (chip)	10.0K 1/4 J		01
-614	RD157100	Carbon Resistor (chip)	10.0K 1/4 J		01
R615	RD358100	Carbon Resistor (chip)	100.0K 63M J		01
-617	RD358100	Carbon Resistor (chip)	100.0K 63M J		01
R618	RD358160	Carbon Resistor (chip)	160.0K 63M J		01
-620	RD358160	Carbon Resistor (chip)	160.0K 63M J		01
R621	RD357470	Carbon Resistor (chip)	47.0K 63M J		01
-626	RD357470	Carbon Resistor (chip)	47.0K 63M J		01
R627	VC757500	Metal Oxide Film Resistor	33.0 2W J		01
-629	VC757500	Metal Oxide Film Resistor	33.0 2W J		01
R630	RD356100	Carbon Resistor (chip)	1.0K 63M J		01
-632	RD356100	Carbon Resistor (chip)	1.0K 63M J		01
R633	RD155100	Carbon Resistor (chip)	100.0 1/4 J		01
-635	RD155100	Carbon Resistor (chip)	100.0 1/4 J		01
R636	RD355330	Carbon Resistor (chip)	330.0 63M J		01
-638	RD355330	Carbon Resistor (chip)	330.0 63M J		01
R639	RF457470	Carbon Resistor (chip)	47.0K D		
-641	RF457470	Carbon Resistor (chip)	47.0K D		
R642	RF457390	Carbon Resistor (chip)	39.0K D		01
-644	RF457390	Carbon Resistor (chip)	39.0K D		01
R645	RF456470	Carbon Resistor (chip)	4.7K D		
-650	RF456470	Carbon Resistor (chip)	4.7K D		
R651	RF458120	Carbon Resistor (chip)	120.0K D		01
R652	RF456470	Carbon Resistor (chip)	4.7K D		
R653	RF458120	Carbon Resistor (chip)	120.0K D		01
R654	RF456470	Carbon Resistor (chip)	4.7K D		
R655	RF458120	Carbon Resistor (chip)	120.0K D		01
R656	RF456470	Carbon Resistor (chip)	4.7K D		
R657	RD157100	Carbon Resistor (chip)	10.0K 1/4 J		01
-659	RD157100	Carbon Resistor (chip)	10.0K 1/4 J		01
R660	RD358100	Carbon Resistor (chip)	100.0K 63M J		01
-662	RD358100	Carbon Resistor (chip)	100.0K 63M J		01

* New Parts

RANK: Japan only

PM5D/PM5D-RH

REF NO.	PART NO.	DESCRIPTION	REMARKS	QTY	RANK
R663	RD358160	Carbon Resistor (chip)	160.0K 63M J		01
-665	RD358160	Carbon Resistor (chip)	160.0K 63M J		01
R666	RD357470	Carbon Resistor (chip)	47.0K 63M J		01
-671	RD357470	Carbon Resistor (chip)	47.0K 63M J		01
R672	VC757500	Metal Oxide Film Resistor	33.0 2W J		01
-674	VC757500	Metal Oxide Film Resistor	33.0 2W J		01
R675	RD356100	Carbon Resistor (chip)	1.0K 63M J		01
-677	RD356100	Carbon Resistor (chip)	1.0K 63M J		01
R678	RD155100	Carbon Resistor (chip)	100.0 1/4 J		01
-680	RD155100	Carbon Resistor (chip)	100.0 1/4 J		01
R681	RD356100	Carbon Resistor (chip)	1.0K 63M J		01
R682	RD357270	Carbon Resistor (chip)	27.0K 63M J		01
-693	RD357270	Carbon Resistor (chip)	27.0K 63M J		01
R694	RD355390	Carbon Resistor (chip)	390.0 63M J		01
-701	RD355390	Carbon Resistor (chip)	390.0 63M J		01
R702	RD354470	Carbon Resistor (chip)	47.0 63M J		01
R703	RD355120	Carbon Resistor (chip)	120.0 63M J		01
-718	RD355120	Carbon Resistor (chip)	120.0 63M J		01
R719	RD350000	Carbon Resistor (chip)	0 63M J		01
-727	RD350000	Carbon Resistor (chip)	0 63M J		01
R728	RD354470	Carbon Resistor (chip)	47.0 63M J		01
R729	RD350000	Carbon Resistor (chip)	0 63M J		01
R730	RD350000	Carbon Resistor (chip)	0 63M J		01
R730	RD354820	Carbon Resistor (chip)	82.0 63M J		01
-757	RD354820	Carbon Resistor (chip)	82.0 63M J		01
RA1	RE044470	Resistor Array	47X4		01
RA2	RE046100	Resistor Array	1KX4		01
RA3	RE046100	Resistor Array	1KX4		01
RA4	RE046220	Resistor Array	2.2KX4		01
RA5	RE046220	Resistor Array	2.2KX4		01
RA100	RE044820	Resistor Array	82X4		01
RA501	WA208200	Resistor Array	(10K/20K)+-1/2LSB		05
RA502	RE047100	Resistor Array	10KX4		01
-521	RE047100	Resistor Array	10KX4		01
RA522	RE044470	Resistor Array	47X4		01
-525	RE044470	Resistor Array	47X4		01
RA526	RE046220	Resistor Array	2.2KX4		01
RA527	RE046220	Resistor Array	2.2KX4		01
RA550	RE044470	Resistor Array	47X4		01
-553	RE044470	Resistor Array	47X4		01
TA501	V7723400	Transistor Array	TD62381F(EL)		04
TR501	V3033500	Digital Transistor	DTC143XKA TP		01
-503	V3033500	Digital Transistor	DTC143XKA TP		01
TR504	V7798800	Digital Transistor	DTA143ZUA		01
-506	V7798800	Digital Transistor	DTA143ZUA		01
TR507	VU384300	Transistor	2SD1733F5 P,Q,R		01
TR508	VU384100	Transistor	2SB1181F5 P,Q,R		01
TR509	VU384300	Transistor	2SD1733F5 P,Q,R		01
TR510	VU384100	Transistor	2SB1181F5 P,Q,R		01
TR511	VU384300	Transistor	2SD1733F5 P,Q,R		01
TR512	VU384100	Transistor	2SB1181F5 P,Q,R		01
TR513	VU384300	Transistor	2SD1733F5 P,Q,R		01
TR514	VU384100	Transistor	2SB1181F5 P,Q,R		01
TR515	VU384300	Transistor	2SD1733F5 P,Q,R		01
TR516	VU384100	Transistor	2SB1181F5 P,Q,R		01
TR517	VU384300	Transistor	2SD1733F5 P,Q,R		01
TR518	VU384100	Transistor	2SB1181F5 P,Q,R		01
TR519	V3033500	Digital Transistor	DTC143XKA TP		01
-521	V3033500	Digital Transistor	DTC143XKA TP		01
TR522	V7798800	Digital Transistor	DTA143ZUA		01
-524	V7798800	Digital Transistor	DTA143ZUA		01
TR525	VU384300	Transistor	2SD1733F5 P,Q,R		01
TR526	VU384100	Transistor	2SB1181F5 P,Q,R		01
TR527	VU384300	Transistor	2SD1733F5 P,Q,R		01
TR528	VU384100	Transistor	2SB1181F5 P,Q,R		01
TR529	VU384300	Transistor	2SD1733F5 P,Q,R		01
TR530	VU384100	Transistor	2SB1181F5 P,Q,R		01
TR531	VU384300	Transistor	2SD1733F5 P,Q,R		01
TR532	VU384100	Transistor	2SB1181F5 P,Q,R		01
TR533	VU384300	Transistor	2SD1733F5 P,Q,R		01

*: New Parts

RANK: Japan only

REF NO.	PART NO.	DESCRIPTION	REMARKS	QTY	RANK
TR534	VU384100	Transistor	2SB1181F5 P,Q,R		01
TR535	VU384300	Transistor	2SD1733F5 P,Q,R		01
TR536	VU384100	Transistor	2SB1181F5 P,Q,R		01
TR537	V3033500	Digital Transistor	DTC143XKA TP		01
-539	V3033500	Digital Transistor	DTC143XKA TP		01
TR540	V7798800	Digital Transistor	DTA143ZUA		01
-542	V7798800	Digital Transistor	DTA143ZUA		01
TR543	VU384300	Transistor	2SD1733F5 P,Q,R		01
TR544	VU384100	Transistor	2SB1181F5 P,Q,R		01
TR545	VU384300	Transistor	2SD1733F5 P,Q,R		01
TR546	VU384100	Transistor	2SB1181F5 P,Q,R		01
TR547	VU384300	Transistor	2SD1733F5 P,Q,R		01
TR548	VU384100	Transistor	2SB1181F5 P,Q,R		01
TR549	VU384300	Transistor	2SD1733F5 P,Q,R		01
TR550	VU384100	Transistor	2SB1181F5 P,Q,R		01
TR551	VU384300	Transistor	2SD1733F5 P,Q,R		01
TR552	VU384100	Transistor	2SB1181F5 P,Q,R		01
TR553	VU384300	Transistor	2SD1733F5 P,Q,R		01
TR554	VU384100	Transistor	2SB1181F5 P,Q,R		01
TR555	V3033500	Digital Transistor	DTC143XKA TP		01
-557	V3033500	Digital Transistor	DTC143XKA TP		01
TR558	V7798800	Digital Transistor	DTA143ZUA		01
-560	V7798800	Digital Transistor	DTA143ZUA		01
TR561	VU384300	Transistor	2SD1733F5 P,Q,R		01
TR562	VU384100	Transistor	2SB1181F5 P,Q,R		01
TR563	VU384300	Transistor	2SD1733F5 P,Q,R		01
TR564	VU384100	Transistor	2SB1181F5 P,Q,R		01
TR565	VU384300	Transistor	2SD1733F5 P,Q,R		01
TR566	VU384100	Transistor	2SB1181F5 P,Q,R		01
TR567	VU384300	Transistor	2SD1733F5 P,Q,R		01
TR568	VU384100	Transistor	2SB1181F5 P,Q,R		01
TR569	VU384300	Transistor	2SD1733F5 P,Q,R		01
TR570	VU384100	Transistor	2SB1181F5 P,Q,R		01
TR571	VU384300	Transistor	2SD1733F5 P,Q,R		01
TR572	VU384100	Transistor	2SB1181F5 P,Q,R		01
ZD501	VU172000	Zener Diode	UDZ5.6BTE-17 5.6V		01
-524	VU172000	Zener Diode	UDZ5.6BTE-17 5.6V		01
	WA865400	Circuit Board	FDC	(X4141D0)	
C101	US064100	Ceramic Capacitor-B (chip)	0.0100 50V K		01
C102	US064100	Ceramic Capacitor-B (chip)	0.0100 50V K		01
C103	UF028100	Electrolytic Cap. (chip)	100 10V		01
C104	VR169000	Monolithic Mylar Capacitor	ECQ-V1H334JL3		01
-106	VR169000	Monolithic Mylar Capacitor	ECQ-V1H334JL3		01
C107	VR331100	Mylar Capacitor (chip)	0.0470 50V J		01
-109	VR331100	Mylar Capacitor (chip)	0.0470 50V J		01
C110	US064100	Ceramic Capacitor-B (chip)	0.0100 50V K		01
-112	US064100	Ceramic Capacitor-B (chip)	0.0100 50V K		01
C114	US064100	Ceramic Capacitor-B (chip)	0.0100 50V K		01
-116	US064100	Ceramic Capacitor-B (chip)	0.0100 50V K		01
C119	VR169000	Monolithic Mylar Capacitor	ECQ-V1H334JL3		01
-121	VR169000	Monolithic Mylar Capacitor	ECQ-V1H334JL3		01
C122	VR331100	Mylar Capacitor (chip)	0.0470 50V J		01
-124	VR331100	Mylar Capacitor (chip)	0.0470 50V J		01
C125	US064100	Ceramic Capacitor-B (chip)	0.0100 50V K		01
-127	US064100	Ceramic Capacitor-B (chip)	0.0100 50V K		01
C129	US064100	Ceramic Capacitor-B (chip)	0.0100 50V K		01
-131	US064100	Ceramic Capacitor-B (chip)	0.0100 50V K		01
C134	US064100	Ceramic Capacitor-B (chip)	0.0100 50V K		01
-139	US064100	Ceramic Capacitor-B (chip)	0.0100 50V K		01
C204	VR169000	Monolithic Mylar Capacitor	ECQ-V1H334JL3		01
-206	VR169000	Monolithic Mylar Capacitor	ECQ-V1H334JL3		01
C207	US064100	Ceramic Capacitor-B (chip)	0.0100 50V K		01
-209	US064100	Ceramic Capacitor-B (chip)	0.0100 50V K		01
C210	VR331100	Mylar Capacitor (chip)	0.0470 50V J		01
-212	VR331100	Mylar Capacitor (chip)	0.0470 50V J		01
C213	US064100	Ceramic Capacitor-B (chip)	0.0100 50V K		01
-216	US064100	Ceramic Capacitor-B (chip)	0.0100 50V K		01
C218	US064100	Ceramic Capacitor-B (chip)	0.0100 50V K		01
-221	US064100	Ceramic Capacitor-B (chip)	0.0100 50V K		01

* New Parts

RANK: Japan only

PM5D/PM5D-RH

REF NO.	PART NO.	DESCRIPTION		REMARKS	QTY	RANK
C223	US064100	Ceramic Capacitor-B (chip)	0.0100 50V K			01
C225	VR169000	Monolithic Mylar Capacitor	ECQ-V1H334JL3			01
-227	VR169000	Monolithic Mylar Capacitor	ECQ-V1H334JL3			01
C228	VR331100	Mylar Capacitor (chip)	0.0470 50V J			01
-230	VR331100	Mylar Capacitor (chip)	0.0470 50V J			01
C231	US064100	Ceramic Capacitor-B (chip)	0.0100 50V K			01
-233	US064100	Ceramic Capacitor-B (chip)	0.0100 50V K			01
C235	US064100	Ceramic Capacitor-B (chip)	0.0100 50V K			01
-237	US064100	Ceramic Capacitor-B (chip)	0.0100 50V K			01
C304	VR169000	Monolithic Mylar Capacitor	ECQ-V1H334JL3			01
C305	VR169000	Monolithic Mylar Capacitor	ECQ-V1H334JL3			01
C309	VR331100	Mylar Capacitor (chip)	0.0470 50V J			01
C307	VR331100	Mylar Capacitor (chip)	0.0470 50V J			01
C308	US064100	Ceramic Capacitor-B (chip)	0.0100 50V K			01
C309	US064100	Ceramic Capacitor-B (chip)	0.0100 50V K			01
C311	US064100	Ceramic Capacitor-B (chip)	0.0100 50V K			01
C312	US064100	Ceramic Capacitor-B (chip)	0.0100 50V K			01
C315	US064100	Ceramic Capacitor-B (chip)	0.0100 50V K			01
C318	US064100	Ceramic Capacitor-B (chip)	0.0100 50V K			01
C350	US061220	Ceramic Capacitor-CH(chip)	22P 50V J			01
-352	US061220	Ceramic Capacitor-CH(chip)	22P 50V J			01
C401	US145100	Ceramic Capacitor-F (chip)	0.1000 25V Z			01
C402	US145100	Ceramic Capacitor-F (chip)	0.1000 25V Z			01
C400	US064100	Ceramic Capacitor-B (chip)	0.0100 50V K			01
C404	US064100	Ceramic Capacitor-B (chip)	0.0100 50V K			01
C405	US145100	Ceramic Capacitor-F (chip)	0.1000 25V Z			01
C406	US145100	Ceramic Capacitor-F (chip)	0.1000 25V Z			01
C407	US064100	Ceramic Capacitor-B (chip)	0.0100 50V K			01
C408	US064100	Ceramic Capacitor-B (chip)	0.0100 50V K			01
C409	US145100	Ceramic Capacitor-F (chip)	0.1000 25V Z			01
-422	US145100	Ceramic Capacitor-F (chip)	0.1000 25V Z			01
C501	US145100	Ceramic Capacitor-F (chip)	0.1000 25V Z			01
-504	US145100	Ceramic Capacitor-F (chip)	0.1000 25V Z			01
C601	US063100	Ceramic Capacitor-B (chip)	1000P 50V K			01
-604	US063100	Ceramic Capacitor-B (chip)	1000P 50V K			01
C605	US145100	Ceramic Capacitor-F (chip)	0.1000 25V Z			01
-608	US145100	Ceramic Capacitor-F (chip)	0.1000 25V Z			01
C704	US145100	Ceramic Capacitor-F (chip)	0.1000 25V Z			01
* C705	WC370000	Electrolytic Cap.-UD(chip)	220.00 35.0V			01
* C706	WC370000	Electrolytic Cap.-UD(chip)	220.00 35.0V			01
C707	UF147470	Electrolytic Cap. (chip)	47 25V UUR1E4			01
C708	UF147470	Electrolytic Cap. (chip)	47 25V UUR1E4			01
C709	UF028100	Electrolytic Cap. (chip)	100 10V			01
C710	UF147470	Electrolytic Cap. (chip)	47 25V UUR1E4			01
C711	UF147470	Electrolytic Cap. (chip)	47 25V UUR1E4			01
* C712	WC370000	Electrolytic Cap.-UD(chip)	220.00 35.0V			01
* C713	WC370000	Electrolytic Cap.-UD(chip)	220.00 35.0V			01
C801	US145100	Ceramic Capacitor-F (chip)	0.1000 25V Z			01
C802	UF037100	Electrolytic Cap. (chip)	10 16V			01
C803	US145100	Ceramic Capacitor-F (chip)	0.1000 25V Z			01
-805	US145100	Ceramic Capacitor-F (chip)	0.1000 25V Z			01
C808	UF037100	Electrolytic Cap. (chip)	10 16V			01
C807	US145100	Ceramic Capacitor-F (chip)	0.1000 25V Z			01
C808	US145100	Ceramic Capacitor-F (chip)	0.1000 25V Z			01
C809	UF037100	Electrolytic Cap. (chip)	10 16V			01
C810	US145100	Ceramic Capacitor-F (chip)	0.1000 25V Z			01
C901	US145100	Ceramic Capacitor-F (chip)	0.1000 25V Z			01
C902	US145100	Ceramic Capacitor-F (chip)	0.1000 25V Z			01
C904	US145100	Ceramic Capacitor-F (chip)	0.1000 25V Z			01
C906	US145100	Ceramic Capacitor-F (chip)	0.1000 25V Z			01
-908	US145100	Ceramic Capacitor-F (chip)	0.1000 25V Z			01
C909	US062100	Ceramic Capacitor-SL(chip)	100P 50V J			01
C910	US062100	Ceramic Capacitor-SL(chip)	100P 50V J			01
C912	US061680	Ceramic Capacitor-SL(chip)	68P 50V J			01
CN101	VB389900	Connector Base Post	PH 3P TE			01
-103	VB389900	Connector Base Post	PH 3P TE			01
CN104	VA030400	Base Post Connector	5483 4P TE			01
-106	VA030400	Base Post Connector	5483 4P TE			01
CN107	VB389900	Connector Base Post	PH 3P TE			01
-109	VB389900	Connector Base Post	PH 3P TE			01

*: New Parts

RANK: Japan only

REF NO.	PART NO.	DESCRIPTION		REMARKS	QTY	RANK
CN110	VA030400	Base Post Connector	5483 4P TE			01
-112	VA030400	Base Post Connector	5483 4P TE			01
CN201	VB389900	Connector Base Post	PH 3P TE			01
-203	VB389900	Connector Base Post	PH 3P TE			01
CN204	VA030400	Base Post Connector	5483 4P TE			01
-206	VA030400	Base Post Connector	5483 4P TE			01
CN207	VB389900	Connector Base Post	PH 3P TE			01
-209	VB389900	Connector Base Post	PH 3P TE			01
CN210	VA030400	Base Post Connector	5483 4P TE			01
-212	VA030400	Base Post Connector	5483 4P TE			01
CN301	VB389900	Connector Base Post	PH 3P TE			01
CN302	VB389900	Connector Base Post	PH 3P TE			01
CN303	VA030400	Base Post Connector	5483 4P TE			01
CN304	VA030400	Base Post Connector	5483 4P TE			01
CN601	VQ048400	Connector FFC	52045 35P TE			01
CN701	LB932040	Base Post Connector	VH 4P TE			01
CN702	LB932060	Base Post Connector	VH 6P TE			01
CN703	LB932050	Base Post Connector	VH 5P TE			01
CN705	VF667600	Wire Trap	52147 15P TE			01
CN706	VF667600	Wire Trap	52147 15P TE			01
CN707	VK025100	Wire Trap	52147 7P TE			01
CN708	VF667700	Wire Trap	52147 17P TE			01
CN709	VK025600	Wire Trap	52147 12P TE			01
CN714	VK025600	Wire Trap	52147 18P TE			01
D101	VT332900	Diode	1SS355 TE-17			01
-104	VT332900	Diode	1SS355 TE-17			01
D106	VT332900	Diode	1SS355 TE-17			01
-108	VT332900	Diode	1SS355 TE-17			01
D202	VT332900	Diode	1SS355 TE-17			01
-204	VT332900	Diode	1SS355 TE-17			01
D206	VT332900	Diode	1SS355 TE-17			01
-208	VT332900	Diode	1SS355 TE-17			01
D302	VT332900	Diode	1SS355 TE-17			01
D303	VT332900	Diode	1SS355 TE-17			01
D501	VT332900	Diode	1SS355 TE-17			01
-528	VT332900	Diode	1SS355 TE-17			01
EM1	WA093400	LC Filter	ZJSR5101-223TA			01
-7	WA093400	LC Filter	ZJSR5101-223TA			01
FT107	WA601900	FET (chip)	2SK208 Y,GR			01
FT109	WA601900	FET (chip)	2SK208 Y,GR			01
-113	WA601900	FET (chip)	2SK208 Y,GR			01
FT207	WA601900	FET (chip)	2SK208 Y,GR			01
-212	WA601900	FET (chip)	2SK208 Y,GR			01
FT302	WA601900	FET (chip)	2SK208 Y,GR			01
FT303	WA601900	FET (chip)	2SK208 Y,GR			01
IC101	X3620A00	IC	NJM78L05UA(TE1)	REGULATOR +6V		01
IC102	X4983A00	IC	NJM2902M-TE1	OP AMP		
* -107	X4983A00	IC	NJM2902M-TE1	OP AMP		
* IC202	X4983A00	IC	NJM2902M-TE1	OP AMP		
* -207	X4983A00	IC	NJM2902M-TE1	OP AMP		
* IC302	X4983A00	IC	NJM2902M-TE1	OP AMP		
* IC303	X4983A00	IC	NJM2902M-TE1	OP AMP		
IC401	IS057410	IC	SN74LV574ANSR	D-FF		02
IC402	X3700A00	IC	NJU7074M(TE1)	OP AMP		05
IC403	XP373A00	IC	HD74HC4051FPEL	MULTIPLEXER		02
IC404	XP373A00	IC	HD74HC4051FPEL	MULTIPLEXER		02
IC405	X3700A00	IC	NJU7074M(TE1)	OP AMP		05
-407	X3700A00	IC	NJU7074M(TE1)	OP AMP		05
IC408	IS057410	IC	SN74LV574ANSR	D-FF		02
IC501	X5790A00	IC	TC74HC4052AF	MULTIPLEXER		02
IC502	XY254A00	IC	TC74VHC273F(EL)	D-FF		03
IC503	XY254A00	IC	TC74VHC273F(EL)	D-FF		03
IC504	X5790A00	IC	TC74HC4052AF	MULTIPLEXER		02
IC601	X3693A00	IC	SN74LV245APWR	TRANSCEIVER		
-603	X3693A00	IC	SN74LV245APWR	TRANSCEIVER		
IC604	XZ217A00	IC	SN74AHC1G08HDCKR	AND		01
IC702	X3693A00	IC	SN74LV245APWR	TRANSCEIVER		
IC801	XV014A00	IC	TD62M880UF	SOURCE DRIVER		05
IC802	XV013A00	IC	TB6270SCF(EL)	LED DRIVER		04
IC803	XV013A00	IC	TB6270SCF(EL)	LED DRIVER		04

* New Parts

RANK: Japan only

PM5D/PM5D-RH

REF NO.	PART NO.	DESCRIPTION		REMARKS	QTY	RANK
IC804	XV014A00	IC	TD62M8600F	SOURCE DRIVER		05
IC805	XV013A00	IC	TB62705CF(EL)	LED DRIVER		04
IC806	XV014A00	IC	TD62M8600F	SOURCE DRIVER		05
IC807	XV013A00	IC	TB62705CF(EL)	LED DRIVER		04
IC901	IS059500	IC	HD74LV595AFPEL	REGISTER		02
IC902	XT163A00	IC	TC74HC238AF	TRANSCEIVER		03
IC903	IS000000	IC	HD74LV00AFPEL	NAND		01
IC904	IS007400	IC	HD74LV74AFPEL	D-FF		01
IC905	IS000000	IC	HD74LV00AFPEL	NAND		01
R1	RF456270	Carbon Resistor (chip)	2.7K D			
-14	RF456270	Carbon Resistor (chip)	2.7K D			
R101	RD355330	Carbon Resistor (chip)	330.0 63M J			01
-103	RD355330	Carbon Resistor (chip)	330.0 63M J			01
R104	RF457470	Carbon Resistor (chip)	47.0K D			
-106	RF457470	Carbon Resistor (chip)	47.0K D			
R107	RF457390	Carbon Resistor (chip)	39.0K D			01
-109	RF457390	Carbon Resistor (chip)	39.0K D			01
R110	RF456470	Carbon Resistor (chip)	4.7K D			
-115	RF456470	Carbon Resistor (chip)	4.7K D			
R118	RF458120	Carbon Resistor (chip)	120.0K D			01
R117	RF456470	Carbon Resistor (chip)	4.7K D			
R118	RF458120	Carbon Resistor (chip)	120.0K D			01
R119	RF456470	Carbon Resistor (chip)	4.7K D			
R120	RF458120	Carbon Resistor (chip)	120.0K D			01
R121	RF456470	Carbon Resistor (chip)	4.7K D			
R122	RD157100	Carbon Resistor (chip)	10.0K 1/4 J			01
-124	RD157100	Carbon Resistor (chip)	10.0K 1/4 J			01
R125	RD358100	Carbon Resistor (chip)	100.0K 63M J			01
-127	RD358100	Carbon Resistor (chip)	100.0K 63M J			01
R128	RD358160	Carbon Resistor (chip)	160.0K 63M J			01
-130	RD358160	Carbon Resistor (chip)	160.0K 63M J			01
R131	RD357470	Carbon Resistor (chip)	47.0K 63M J			01
-136	RD357470	Carbon Resistor (chip)	47.0K 63M J			01
R137	VC757500	Metal Oxide Film Resistor	33.0 2W J			01
-138	VC757500	Metal Oxide Film Resistor	33.0 2W J			01
R140	RD356100	Carbon Resistor (chip)	1.0K 63M J			01
-142	RD356100	Carbon Resistor (chip)	1.0K 63M J			01
R143	RD155100	Carbon Resistor (chip)	100.0 1/4 J			01
-145	RD155100	Carbon Resistor (chip)	100.0 1/4 J			01
R146	RD355330	Carbon Resistor (chip)	330.0 63M J			01
-148	RD355330	Carbon Resistor (chip)	330.0 63M J			01
R149	RF457470	Carbon Resistor (chip)	47.0K D			
-151	RF457470	Carbon Resistor (chip)	47.0K D			
R152	RF457390	Carbon Resistor (chip)	39.0K D			01
-154	RF457390	Carbon Resistor (chip)	39.0K D			01
R155	RF456470	Carbon Resistor (chip)	4.7K D			
-160	RF456470	Carbon Resistor (chip)	4.7K D			
R161	RF458120	Carbon Resistor (chip)	120.0K D			01
R162	RF456470	Carbon Resistor (chip)	4.7K D			
R163	RF458120	Carbon Resistor (chip)	120.0K D			01
R164	RF456470	Carbon Resistor (chip)	4.7K D			
R165	RF458120	Carbon Resistor (chip)	120.0K D			01
R168	RF456470	Carbon Resistor (chip)	4.7K D			
R167	RD157100	Carbon Resistor (chip)	10.0K 1/4 J			01
-169	RD157100	Carbon Resistor (chip)	10.0K 1/4 J			01
R170	RD358100	Carbon Resistor (chip)	100.0K 63M J			01
-172	RD358100	Carbon Resistor (chip)	100.0K 63M J			01
R173	RD358160	Carbon Resistor (chip)	160.0K 63M J			01
-175	RD358160	Carbon Resistor (chip)	160.0K 63M J			01
R176	RD357470	Carbon Resistor (chip)	47.0K 63M J			01
-181	RD357470	Carbon Resistor (chip)	47.0K 63M J			01
R182	VC757500	Metal Oxide Film Resistor	33.0 2W J			01
-184	VC757500	Metal Oxide Film Resistor	33.0 2W J			01
R185	RD356100	Carbon Resistor (chip)	1.0K 63M J			01
-187	RD356100	Carbon Resistor (chip)	1.0K 63M J			01
R188	RD155100	Carbon Resistor (chip)	100.0 1/4 J			01
-190	RD155100	Carbon Resistor (chip)	100.0 1/4 J			01
R201	RD355330	Carbon Resistor (chip)	330.0 63M J			01
-203	RD355330	Carbon Resistor (chip)	330.0 63M J			01
R204	RF457470	Carbon Resistor (chip)	47.0K D			

*: New Parts

RANK: J apan only

REF NO.	PART NO.	DESCRIPTION	REMARKS	QTY	RANK
-206	RF457470	Carbon Resistor (chip)	47.0K D		
R207	RF457390	Carbon Resistor (chip)	39.0K D		01
-209	RF457390	Carbon Resistor (chip)	39.0K D		01
R210	RF456470	Carbon Resistor (chip)	4.7K D		
-215	RF456470	Carbon Resistor (chip)	4.7K D		
R216	RF458120	Carbon Resistor (chip)	120.0K D		01
R217	RF456470	Carbon Resistor (chip)	4.7K D		
R218	RF458120	Carbon Resistor (chip)	120.0K D		01
R219	RF456470	Carbon Resistor (chip)	4.7K D		
R220	RF458120	Carbon Resistor (chip)	120.0K D		01
R221	RF456470	Carbon Resistor (chip)	4.7K D		
R222	RD157100	Carbon Resistor (chip)	10.0K 1/4 J		01
-224	RD157100	Carbon Resistor (chip)	10.0K 1/4 J		01
R225	RD358100	Carbon Resistor (chip)	100.0K 63M J		01
-227	RD358100	Carbon Resistor (chip)	100.0K 63M J		01
R228	RD358160	Carbon Resistor (chip)	160.0K 63M J		01
-230	RD358160	Carbon Resistor (chip)	160.0K 63M J		01
R231	RD357470	Carbon Resistor (chip)	47.0K 63M J		01
-236	RD357470	Carbon Resistor (chip)	47.0K 63M J		01
R237	VC757500	Metal Oxide Film Resistor	33.0 2W J		01
-239	VC757500	Metal Oxide Film Resistor	33.0 2W J		01
R240	RD356100	Carbon Resistor (chip)	1.0K 63M J		01
-242	RD356100	Carbon Resistor (chip)	1.0K 63M J		01
R243	RD155100	Carbon Resistor (chip)	100.0 1/4 J		01
-245	RD155100	Carbon Resistor (chip)	100.0 1/4 J		01
R246	RD355330	Carbon Resistor (chip)	330.0 63M J		01
-248	RD355330	Carbon Resistor (chip)	330.0 63M J		01
R249	RF457470	Carbon Resistor (chip)	47.0K D		01
-251	RF457470	Carbon Resistor (chip)	47.0K D		01
R252	RF457390	Carbon Resistor (chip)	39.0K D		01
-254	RF457390	Carbon Resistor (chip)	39.0K D		01
R255	RF456470	Carbon Resistor (chip)	4.7K D		
-260	RF456470	Carbon Resistor (chip)	4.7K D		
R261	RF458120	Carbon Resistor (chip)	120.0K D		01
R262	RF456470	Carbon Resistor (chip)	4.7K D		
R263	RF458120	Carbon Resistor (chip)	120.0K D		01
R264	RF456470	Carbon Resistor (chip)	4.7K D		
R265	RF458120	Carbon Resistor (chip)	120.0K D		01
R266	RF456470	Carbon Resistor (chip)	4.7K D		
R267	RD157100	Carbon Resistor (chip)	10.0K 1/4 J		01
-269	RD157100	Carbon Resistor (chip)	10.0K 1/4 J		01
R270	RD358100	Carbon Resistor (chip)	100.0K 63M J		01
-272	RD358100	Carbon Resistor (chip)	100.0K 63M J		01
R273	RD358160	Carbon Resistor (chip)	160.0K 63M J		01
-275	RD358160	Carbon Resistor (chip)	160.0K 63M J		01
R276	RD357470	Carbon Resistor (chip)	47.0K 63M J		01
-281	RD357470	Carbon Resistor (chip)	47.0K 63M J		01
R282	VC757500	Metal Oxide Film Resistor	33.0 2W J		01
-284	VC757500	Metal Oxide Film Resistor	33.0 2W J		01
R285	RD356100	Carbon Resistor (chip)	1.0K 63M J		01
-287	RD356100	Carbon Resistor (chip)	1.0K 63M J		01
R288	RD155100	Carbon Resistor (chip)	100.0 1/4 J		01
-290	RD155100	Carbon Resistor (chip)	100.0 1/4 J		01
R301	RD355330	Carbon Resistor (chip)	330.0 63M J		01
R302	RD355330	Carbon Resistor (chip)	330.0 63M J		01
R303	RF457470	Carbon Resistor (chip)	47.0K D		
R304	RF457470	Carbon Resistor (chip)	47.0K D		
R305	RF457390	Carbon Resistor (chip)	39.0K D		01
R306	RF457390	Carbon Resistor (chip)	39.0K D		01
R307	RF456470	Carbon Resistor (chip)	4.7K D		
-310	RF456470	Carbon Resistor (chip)	4.7K D		
R311	RF458120	Carbon Resistor (chip)	120.0K D		01
R312	RF456470	Carbon Resistor (chip)	4.7K D		
R313	RF458120	Carbon Resistor (chip)	120.0K D		01
R314	RF456470	Carbon Resistor (chip)	4.7K D		
R315	RD157100	Carbon Resistor (chip)	10.0K 1/4 J		01
R316	RD157100	Carbon Resistor (chip)	10.0K 1/4 J		01
R317	RD358100	Carbon Resistor (chip)	100.0K 63M J		01
R318	RD358100	Carbon Resistor (chip)	100.0K 63M J		01
R319	RD358160	Carbon Resistor (chip)	160.0K 63M J		01

* New Parts

RANK: Japan only

PM5D/PM5D-RH

REF NO.	PART NO.	DESCRIPTION	REMARKS	QTY	RANK
R320	RD358160	Carbon Resistor (chip)	160.0K 63M J		01
R321	RD357470	Carbon Resistor (chip)	47.0K 63M J		01
-324	RD357470	Carbon Resistor (chip)	47.0K 63M J		01
R325	VC757500	Metal Oxide Film Resistor	33.0 2W J		01
R326	VC757500	Metal Oxide Film Resistor	33.0 2W J		01
R327	RD356100	Carbon Resistor (chip)	1.0K 63M J		01
R328	RD356100	Carbon Resistor (chip)	1.0K 63M J		01
R329	RD155100	Carbon Resistor (chip)	100.0 1/4 J		01
R330	RD155100	Carbon Resistor (chip)	100.0 1/4 J		01
R350	RD354820	Carbon Resistor (chip)	82.0 63M J		01
-352	RD354820	Carbon Resistor (chip)	82.0 63M J		01
R401	RD356100	Carbon Resistor (chip)	1.0K 63M J		01
R402	RD357270	Carbon Resistor (chip)	27.0K 63M J		01
-415	RD357270	Carbon Resistor (chip)	27.0K 63M J		01
R601	RD354820	Carbon Resistor (chip)	82.0 63M J		01
R602	RD354820	Carbon Resistor (chip)	82.0 63M J		01
R603	RD350000	Carbon Resistor (chip)	0 63M J		01
-607	RD350000	Carbon Resistor (chip)	0 63M J		01
R608	RD354820	Carbon Resistor (chip)	82.0 63M J		01
-610	RD354820	Carbon Resistor (chip)	82.0 63M J		01
R611	RD350000	Carbon Resistor (chip)	0 63M J		01
R601	RD355390	Carbon Resistor (chip)	390.0 63M J		01
-804	RD355390	Carbon Resistor (chip)	390.0 63M J		01
R606	RD355120	Carbon Resistor (chip)	120.0 63M J		01
-823	RD355120	Carbon Resistor (chip)	120.0 63M J		01
R624	RD354470	Carbon Resistor (chip)	47.0 63M J		01
R625	RD350000	Carbon Resistor (chip)	0 63M J		01
-827	RD350000	Carbon Resistor (chip)	0 63M J		01
R900	RD354820	Carbon Resistor (chip)	82.0 63M J		01
-907	RD354820	Carbon Resistor (chip)	82.0 63M J		01
RA401	WA208200	Resistor Array	(10K/20K)--1/2LSB		05
RA601	RE047100	Resistor Array	10KX4		01
-605	RE047100	Resistor Array	10KX4		01
RA606	RE044820	Resistor Array	82X4		01
RA607	RE044820	Resistor Array	82X4		01
RA701	RE046100	Resistor Array	1KX4		01
RA702	RE046100	Resistor Array	1KX4		01
RA801	RE046220	Resistor Array	2.2KX4		01
-805	RE046220	Resistor Array	2.2KX4		01
RA900	RE044820	Resistor Array	82X4		01
TA901	V7723400	Transistor Array	TD62381F(EL)		04
TR101	V3033500	Digital Transistor	DTC143XKA TP		01
-103	V3033500	Digital Transistor	DTC143XKA TP		01
TR104	V7798800	Digital Transistor	DTA143ZUA		01
-106	V7798800	Digital Transistor	DTA143ZUA		01
TR107	VU384300	Transistor	2SD1733F5 P,Q,R		01
TR108	VU384100	Transistor	2SB1181F5 P,Q,R		01
TR109	VU384300	Transistor	2SD1733F5 P,Q,R		01
TR110	VU384100	Transistor	2SB1181F5 P,Q,R		01
TR111	VU384300	Transistor	2SD1733F5 P,Q,R		01
TR112	VU384100	Transistor	2SB1181F5 P,Q,R		01
TR113	VU384300	Transistor	2SD1733F5 P,Q,R		01
TR114	VU384100	Transistor	2SB1181F5 P,Q,R		01
TR115	VU384300	Transistor	2SD1733F5 P,Q,R		01
TR116	VU384100	Transistor	2SB1181F5 P,Q,R		01
TR117	VU384300	Transistor	2SD1733F5 P,Q,R		01
TR118	VU384100	Transistor	2SB1181F5 P,Q,R		01
TR119	V3033500	Digital Transistor	DTC143XKA TP		01
-121	V3033500	Digital Transistor	DTC143XKA TP		01
TR122	V7798800	Digital Transistor	DTA143ZUA		01
-124	V7798800	Digital Transistor	DTA143ZUA		01
TR125	VU384300	Transistor	2SD1733F5 P,Q,R		01
TR126	VU384100	Transistor	2SB1181F5 P,Q,R		01
TR127	VU384300	Transistor	2SD1733F5 P,Q,R		01
TR128	VU384100	Transistor	2SB1181F5 P,Q,R		01
TR129	VU384300	Transistor	2SD1733F5 P,Q,R		01
TR130	VU384100	Transistor	2SB1181F5 P,Q,R		01
TR131	VU384300	Transistor	2SD1733F5 P,Q,R		01
TR132	VU384100	Transistor	2SB1181F5 P,Q,R		01
TR133	VU384300	Transistor	2SD1733F5 P,Q,R		01

*: New Parts

RANK: Japan only

REF NO.	PART NO.	DESCRIPTION	REMARKS	QTY	NAME
TR134	VU384100	Transistor	2SB1181F5 P,Q,R		01
TR135	VU384300	Transistor	2SD1733F5 P,Q,R		01
TR136	VU384100	Transistor	2SB1181F5 P,Q,R		01
TR201	V3033500	Digital Transistor	DTC143XKA TP		01
-203	V3033500	Digital Transistor	DTC143XKA TP		01
TR204	V7798800	Digital Transistor	DTA143ZUA		01
-206	V7798800	Digital Transistor	DTA143ZUA		01
TR207	VU384300	Transistor	2SD1733F5 P,Q,R		01
TR208	VU384100	Transistor	2SB1181F5 P,Q,R		01
TR209	VU384300	Transistor	2SD1733F5 P,Q,R		01
TR210	VU384100	Transistor	2SB1181F5 P,Q,R		01
TR211	VU384300	Transistor	2SD1733F5 P,Q,R		01
TR212	VU384100	Transistor	2SB1181F5 P,Q,R		01
TR213	VU384300	Transistor	2SD1733F5 P,Q,R		01
TR214	VU384100	Transistor	2SB1181F5 P,Q,R		01
TR215	VU384300	Transistor	2SD1733F5 P,Q,R		01
TR216	VU384100	Transistor	2SB1181F5 P,Q,R		01
TR217	VU384300	Transistor	2SD1733F5 P,Q,R		01
TR218	VU384100	Transistor	2SB1181F5 P,Q,R		01
TR219	V3033500	Digital Transistor	DTC143XKA TP		01
-221	V3033500	Digital Transistor	DTC143XKA TP		01
TR222	V7798800	Digital Transistor	DTA143ZUA		01
-224	V7798800	Digital Transistor	DTA143ZUA		01
TR225	VU384300	Transistor	2SD1733F5 P,Q,R		01
TR226	VU384100	Transistor	2SB1181F5 P,Q,R		01
TR227	VU384300	Transistor	2SD1733F5 P,Q,R		01
TR228	VU384100	Transistor	2SB1181F5 P,Q,R		01
TR229	VU384300	Transistor	2SD1733F5 P,Q,R		01
TR230	VU384100	Transistor	2SB1181F5 P,Q,R		01
TR231	VU384300	Transistor	2SD1733F5 P,Q,R		01
TR232	VU384100	Transistor	2SB1181F5 P,Q,R		01
TR233	VU384300	Transistor	2SD1733F5 P,Q,R		01
TR234	VU384100	Transistor	2SB1181F5 P,Q,R		01
TR235	VU384300	Transistor	2SD1733F5 P,Q,R		01
TR236	VU384100	Transistor	2SB1181F5 P,Q,R		01
TR301	V3033500	Digital Transistor	DTC143XKA TP		01
TR302	V3033500	Digital Transistor	DTC143XKA TP		01
TR303	V7798800	Digital Transistor	DTA143ZUA		01
TR304	V7798800	Digital Transistor	DTA143ZUA		01
TR305	VU384300	Transistor	2SD1733F5 P,Q,R		01
TR306	VU384100	Transistor	2SB1181F5 P,Q,R		01
TR307	VU384300	Transistor	2SD1733F5 P,Q,R		01
TR308	VU384100	Transistor	2SB1181F5 P,Q,R		01
TR309	VU384300	Transistor	2SD1733F5 P,Q,R		01
TR310	VU384100	Transistor	2SB1181F5 P,Q,R		01
TR311	VU384300	Transistor	2SD1733F5 P,Q,R		01
TR312	VU384100	Transistor	2SB1181F5 P,Q,R		01
ZD101	VU172000	Zener Diode	UDZS5.6BTE-17 5.6V		01
-112	VU172000	Zener Diode	UDZS5.6BTE-17 5.6V		01
ZD201	VU172000	Zener Diode	UDZS5.6BTE-17 5.6V		01
-212	VU172000	Zener Diode	UDZS5.6BTE-17 5.6V		01
ZD301	VU172000	Zener Diode	UDZS5.6BTE-17 5.6V		01
-304	VU172000	Zener Diode	UDZS5.6BTE-17 5.6V		01
	WA806400	Circuit Board	JK1	(X510280)	
	--	Earth Film-JK1		(V907450)	
C001	US145100	Ceramic Capacitor-F (chip)	0.1000 25V Z		01
C002	UF037220	Electrolytic Cap. (chip)	22 16V		01
C003	US145100	Ceramic Capacitor-F (chip)	0.1000 25V Z		01
-006	US145100	Ceramic Capacitor-F (chip)	0.1000 25V Z		01
C012	US145100	Ceramic Capacitor-F (chip)	0.1000 25V Z		01
C022	V9074200	Mylar Capacitor (chip)	0.15 50V J		01
C023	V9074200	Mylar Capacitor (chip)	0.15 50V J		01
C024	V5026900	Mylar Capacitor (chip)	0.0039 16V G		01
C025	V5026900	Mylar Capacitor (chip)	0.0039 16V G		01
C026	UF066100	Electrolytic Cap. (chip)	1 50V		01
-028	UF066100	Electrolytic Cap. (chip)	1 50V		01
C031	US145100	Ceramic Capacitor-F (chip)	0.1000 25V Z		01
-033	US145100	Ceramic Capacitor-F (chip)	0.1000 25V Z		01
C036	US145100	Ceramic Capacitor-F (chip)	0.1000 25V Z		01

* New Parts

RANK: Japan only

PM5D/PM5D-RH

REF NO.	PART NO.	DESCRIPTION		REMARKS	QTY	RANK
-036	US145100	Ceramic Capacitor-F (chip)	0.1000 25V Z			01
C041	UF066100	Electrolytic Cap. (chip)	1 50V			01
-043	UF066100	Electrolytic Cap. (chip)	1 50V			01
C047	V9074200	Mylar Capacitor (chip)	0.15 50V J			01
C048	VS026900	Mylar Capacitor (chip)	0.0039 16V G			01
C049	US064100	Ceramic Capacitor-B (chip)	0.0100 50V K			01
C050	US064100	Ceramic Capacitor-B (chip)	0.0100 50V K			01
C051	UF066100	Electrolytic Cap. (chip)	1 50V			01
-053	UF066100	Electrolytic Cap. (chip)	1 50V			01
C054	US145100	Ceramic Capacitor-F (chip)	0.1000 25V Z			01
-060	US145100	Ceramic Capacitor-F (chip)	0.1000 25V Z			01
C061	UF066100	Electrolytic Cap. (chip)	1 50V			01
-063	UF066100	Electrolytic Cap. (chip)	1 50V			01
C064	US145100	Ceramic Capacitor-F (chip)	0.1000 25V Z			01
-075	US145100	Ceramic Capacitor-F (chip)	0.1000 25V Z			01
C101	US061330	Ceramic Capacitor-CH(chip)	33P 50V J			01
C102	US145100	Ceramic Capacitor-F (chip)	0.1000 25V Z			01
C151	US145100	Ceramic Capacitor-F (chip)	0.1000 25V Z			01
C152	US062100	Ceramic Capacitor-SL(chip)	100P 50V J			01
C201	US145100	Ceramic Capacitor-F (chip)	0.1000 25V Z			01
C202	US145100	Ceramic Capacitor-F (chip)	0.1000 25V Z			01
C203	US061100	Ceramic Capacitor-CH(chip)	10P 50V D			01
C204	US061100	Ceramic Capacitor-CH(chip)	10P 50V D			01
C205	US145100	Ceramic Capacitor-F (chip)	0.1000 25V Z			01
C206	US062680	Ceramic Capacitor-SL(chip)	680P 50V J			01
C207	UF037100	Electrolytic Cap. (chip)	10 16V			01
C208	US145100	Ceramic Capacitor-F (chip)	0.1000 25V Z			01
C209	US061330	Ceramic Capacitor-CH(chip)	33P 50V J			01
C210	UF037100	Electrolytic Cap. (chip)	10 16V			01
C211	US145100	Ceramic Capacitor-F (chip)	0.1000 25V Z			01
C212	US145100	Ceramic Capacitor-F (chip)	0.1000 25V Z			01
C302	UF066100	Electrolytic Cap. (chip)	1 50V			01
C303	UF066100	Electrolytic Cap. (chip)	1 50V			01
C304	US062100	Ceramic Capacitor-SL(chip)	100P 50V J			01
C305	US062100	Ceramic Capacitor-SL(chip)	100P 50V J			01
C307	US145100	Ceramic Capacitor-F (chip)	0.1000 25V Z			01
C308	UF167470	Electrolytic Cap. (chip)	47 50V UUR1H4			01
C309	US145100	Ceramic Capacitor-F (chip)	0.1000 25V Z			01
-311	US145100	Ceramic Capacitor-F (chip)	0.1000 25V Z			01
C312	UF037100	Electrolytic Cap. (chip)	10 16V			01
C313	US145100	Ceramic Capacitor-F (chip)	0.1000 25V Z			01
C314	US062100	Ceramic Capacitor-SL(chip)	100P 50V J			01
C351	US145100	Ceramic Capacitor-F (chip)	0.1000 25V Z			01
C358	US145100	Ceramic Capacitor-F (chip)	0.1000 25V Z			01
C401	US145100	Ceramic Capacitor-F (chip)	0.1000 25V Z			01
-403	US145100	Ceramic Capacitor-F (chip)	0.1000 25V Z			01
C406	US145100	Ceramic Capacitor-F (chip)	0.1000 25V Z			01
-410	US145100	Ceramic Capacitor-F (chip)	0.1000 25V Z			01
C451	US145100	Ceramic Capacitor-F (chip)	0.1000 25V Z			01
-454	US145100	Ceramic Capacitor-F (chip)	0.1000 25V Z			01
C456	US145100	Ceramic Capacitor-F (chip)	0.1000 25V Z			01
-459	US145100	Ceramic Capacitor-F (chip)	0.1000 25V Z			01
C460	UF118330	Electrolytic Cap. (chip)	330 6.3V UUR0J3			01
C461	UF047100	Electrolytic Cap. (chip)	10 25V			01
C462	UF047100	Electrolytic Cap. (chip)	10 25V			01
C483	US145100	Ceramic Capacitor-F (chip)	0.1000 25V Z			01
-465	US145100	Ceramic Capacitor-F (chip)	0.1000 25V Z			01
CN201	V3671200	USB Jack	USB 4P TE	TO HOST.USB		03
CN901	VQ048500	Connector, FFC	52045 38P TE			02
CN902	V0022100	Connector, FFC	52045 40P TE			02
CN907	VK025500	Wire Trap	52147 11P TE			01
DA101	VV556300	Diode Array	DAN217 0.3A X2			01
DA151	VV556300	Diode Array	DAN217 0.3A X2			01
DA201	V9424900	Diode Array	1SS372 TE85L			01
DA202	V9424900	Diode Array	1SS372 TE85L			01
EM051	VD542700	LC Filter	DSS6NF31C223Q93A			01
EM052	VI243100	LC Filter	DSS6NB32A271Q93A			01
-057	VI243100	LC Filter	DSS6NB32A271Q93A			01
EM101	VI243100	LC Filter	DSS6NB32A271Q93A			01
EM151	VI243100	LC Filter	DSS6NB32A271Q93A			01

*: New Parts

RANK: Japan only

REF NO.	PART NO.	DESCRIPTION		REMARKS	QTY	NAME
EM301	VI243100	LC Filter	DSS6NB32A271Q93A			01
EM302	VI243100	LC Filter	DSS6NB32A271Q93A			01
EM353	VD542700	LC Filter	DSS6NF31C223Q93A			01
EM451	VD542700	LC Filter	DSS6NF31C223Q93A			01
EM452	WA049400	LC Filter	DSS6NE32A222Q93A			01
EM453	WA049400	LC Filter	DSS6NE32A222Q93A			01
IC001	XW842A00	IC	SN74HCU04NSR	INVERTER		01
IC003	XW559B00	IC	CS8420	SRC		10
-005	XW559B00	IC	CS8420	SRC		10
IC051	XW559B00	IC	CS8420	SRC		10
-053	XW559B00	IC	CS8420	SRC		10
* IC054	X4371A00	IC	74VHC153SJX	MULTIPLEXER		
IC055	XY875A00	IC	74VHC745JX	D-FF		01
* IC056	X4371A00	IC	74VHC153SJX	MULTIPLEXER		
* IC057	X4371A00	IC	74VHC153SJX	MULTIPLEXER		
IC101	XV930A00	IC	SN75124NSR	LINE RECEIVER		05
IC151	XU816A00	IC	SN75121NSR	LINE DRIVER		05
IC201	X2485200	IC	M37641M8-141FP	CPU(USB 32K)		09
IC202	XW914C00	IC	539V110	FLASH ROM 4M		08
IC302	XA862B00	IC	NJM4580M(T1)	OP AMP		02
IC303	IG156700	IC	UPC319G2	COMPARATOR		05
IC304	X2832B00	IC	ICS2008BV-T	T.C. READER/GENERATOR		
IC351	XY959A00	IC	74VHC125SJX	BUFFER		02
IC401	XW324A00	IC	TC74VHC138F(EL)	DECODER		01
IC402	XY873A00	IC	74VHC138SJX	DECODER		01
IC403	XY874A00	IC	74VHC245SJX	TRANSCEIVER		02
* IC405	X4370A00	IC	74VHC273SJX	D-FF		
* -408	X4370A00	IC	74VHC273SJX	D-FF		
IC409	XY871A00	IC	74VHC04SJX	INVERTER		01
IC410	XY871A00	IC	74VHC04SJX	INVERTER		01
IC451	XY874A00	IC	74VHC245SJX	TRANSCEIVER		02
-454	XY874A00	IC	74VHC245SJX	TRANSCEIVER		02
IC456	XY874A00	IC	74VHC245SJX	TRANSCEIVER		02
IC457	XY874A00	IC	74VHC245SJX	TRANSCEIVER		02
* IC458	X4369A00	IC	74VHC244SJX	BUFFER		
IC459	XZ200A00	IC	74VHC145JX	INVERTER		01
JK001	V9234300	Cannon Connector	JACK NC3FBH1	2TR IN DIGITAL 1 AES/EBU		06
JK002	V9234300	Cannon Connector	JACK NC3FBH1	2TR IN DIGITAL 2 AES/EBU		06
JK003	V7705200	Pin Jack Black	1P YKC21-3894	2TR IN DIGITAL 3 COAXIAL		01
JK051	V5133700	Cannon Connector	NC3MAH	2TR OUT DIGITAL 1 AES/EBU		04
JK052	V5133700	Cannon Connector	NC3MAH	2TR OUT DIGITAL 2 AES/EBU		04
JK053	V7705200	Pin Jack Black	1P YKC21-3894	2TR OUT DIGITAL 3 COAXIAL		01
JK101	V6415900	BNC Connector	1P YKS11-0067	WORD CLOCK IN		05
JK151	V6415900	BNC Connector	1P YKS11-0067	WORD CLOCK OUT		05
JK301	V9234300	Cannon Connector	JACK NC3FBH1	TIME CODE IN SMPTE		06
K001	V7539800	Cannon Angle				02
K002	V7539800	Cannon Angle				02
K051	V7539800	Cannon Angle				02
K052	V7539800	Cannon Angle				02
K201	V6442200	USB Angle				04
K301	V7539800	Cannon Angle				02
L001	VP246300	Noise Filter	ZJY51R5-2P			04
L002	VP246300	Noise Filter	ZJY51R5-2P			04
L003	V7930100	Pulse Transformer	TB06A015			05
L004	V7930100	Pulse Transformer	TB06A015			05
L005	GE300610	Ferrite Bead	BL02RN1-R62T4			01
-007	GE300610	Ferrite Bead	BL02RN1-R62T4			01
L010	GE300610	Ferrite Bead	BL02RN1-R62T4			01
-012	GE300610	Ferrite Bead	BL02RN1-R62T4			01
L051	GE300610	Ferrite Bead	BL02RN1-R62T4			01
-056	GE300610	Ferrite Bead	BL02RN1-R62T4			01
L057	V8143400	Chip Inductance	BLM21R121SKPT			01
L058	V8143400	Chip Inductance	BLM21R121SKPT			01
L059	V7930100	Pulse Transformer	TB06A015			05
-061	V7930100	Pulse Transformer	TB06A015			05
L201	GE300610	Ferrite Bead	BL02RN1-R62T4			01
L202	V5239100	Common Mode Coil	DLP31SN121SL2L			03
L203	GE300610	Ferrite Bead	BL02RN1-R62T4			01
L451	V8143400	Chip Inductance	BLM21R121SKPT			01
-455	V8143400	Chip Inductance	BLM21R121SKPT			01

* New Parts

RANK: Japan only

PM5D/PM5D-RH

REF NO.	PART NO.	DESCRIPTION	REMARKS	QTY	RANK
L458	V8143400	Chip Inductance	BLM21R121SKPT		01
-486	V8143400	Chip Inductance	BLM21R121SKPT		01
L469	V8143400	Chip Inductance	BLM21R121SKPT		01
R001	RD254750	Carbon Resistor (chip)	75.0 0.1 J		01
R002	RD258100	Carbon Resistor (chip)	100.0K 0.1 J		01
R003	RD257100	Carbon Resistor (chip)	10.0K 0.1 J		01
R004	RD256470	Carbon Resistor (chip)	4.7K 0.1 J		01
R005	RD256220	Carbon Resistor (chip)	2.2K 0.1 J		01
R006	RD255110	Carbon Resistor (chip)	110.0 0.1 J		01
R007	RD255110	Carbon Resistor (chip)	110.0 0.1 J		01
R013	V1196400	Metal Film Resistor (chip)	3.9K 1/10 D		01
R014	V1196400	Metal Film Resistor (chip)	3.9K 1/10 D		01
R015	RD257470	Carbon Resistor (chip)	47.0K 0.1 J		01
-017	RD257470	Carbon Resistor (chip)	47.0K 0.1 J		01
R020	RD257220	Carbon Resistor (chip)	22.0K 0.1 J		01
-022	RD257220	Carbon Resistor (chip)	22.0K 0.1 J		01
R025	RD257470	Carbon Resistor (chip)	47.0K 0.1 J		01
-027	RD257470	Carbon Resistor (chip)	47.0K 0.1 J		01
R030	RD257470	Carbon Resistor (chip)	47.0K 0.1 J		01
-032	RD257470	Carbon Resistor (chip)	47.0K 0.1 J		01
R043	V1196400	Metal Film Resistor (chip)	3.9K 1/10 D		01
R051	RD257470	Carbon Resistor (chip)	47.0K 0.1 J		01
-053	RD257470	Carbon Resistor (chip)	47.0K 0.1 J		01
R054	RD257220	Carbon Resistor (chip)	22.0K 0.1 J		01
-056	RD257220	Carbon Resistor (chip)	22.0K 0.1 J		01
R057	RD257470	Carbon Resistor (chip)	47.0K 0.1 J		01
-062	RD257470	Carbon Resistor (chip)	47.0K 0.1 J		01
R063	RD255220	Carbon Resistor (chip)	220.0 0.1 J		01
R064	RD254430	Carbon Resistor (chip)	43.0 0.1 J		01
R065	RD254390	Carbon Resistor (chip)	39.0 0.1 J		01
R066	RD255110	Carbon Resistor (chip)	110.0 0.1 J		01
R067	RD250000	Carbon Resistor (chip)	0.0 0.0 J		01
R088	RD255110	Carbon Resistor (chip)	110.0 0.1 J		01
R089	RD250000	Carbon Resistor (chip)	0.0 0.0 J		01
R101	RD254750	Carbon Resistor (chip)	75.0 0.1 J		01
R102	RD254470	Carbon Resistor (chip)	47.0 0.1 J		01
R151	RD256220	Carbon Resistor (chip)	2.2K 0.1 J		01
R152	RD253470	Carbon Resistor (chip)	4.7 0.1 J		01
R201	RD256100	Carbon Resistor (chip)	1.0K 0.1 J		01
R202	RD257100	Carbon Resistor (chip)	10.0K 0.1 J		01
R205	RD250000	Carbon Resistor (chip)	0.0 0.0 J		01
R206	RD255680	Carbon Resistor (chip)	680.0 0.1 J		01
R208	RD154330	Carbon Resistor (chip)	33.0 1/4 J		01
R209	RD154330	Carbon Resistor (chip)	33.0 1/4 J		01
R210	RD256150	Carbon Resistor (chip)	1.5K 0.1 J		01
R211	RD250000	Carbon Resistor (chip)	0.0 0.0 J		01
R212	RD250000	Carbon Resistor (chip)	0.0 0.0 J		01
R213	RD256470	Carbon Resistor (chip)	4.7K 0.1 J		01
R214	RD257100	Carbon Resistor (chip)	10.0K 0.1 J		01
R215	RD256470	Carbon Resistor (chip)	4.7K 0.1 J		01
R217	RD256470	Carbon Resistor (chip)	4.7K 0.1 J		01
R302	RD256510	Carbon Resistor (chip)	5.1K 0.1 J		01
R303	RD256510	Carbon Resistor (chip)	5.1K 0.1 J		01
R304	RD257220	Carbon Resistor (chip)	22.0K 0.1 J		01
R305	RD257220	Carbon Resistor (chip)	22.0K 0.1 J		01
R306	RD257100	Carbon Resistor (chip)	10.0K 0.1 J		01
R308	RD256510	Carbon Resistor (chip)	5.1K 0.1 J		01
R309	RD258100	Carbon Resistor (chip)	100.0K 0.1 J		01
R310	RD256220	Carbon Resistor (chip)	2.2K 0.1 J		01
R311	RD257100	Carbon Resistor (chip)	10.0K 0.1 J		01
R451	RD257100	Carbon Resistor (chip)	10.0K 0.1 J		01
R501	RD254680	Carbon Resistor (chip)	68.0 0.1 J		01
-503	RD254680	Carbon Resistor (chip)	68.0 0.1 J		01
R504	RD257100	Carbon Resistor (chip)	10.0K 0.1 J		01
R505	RD255100	Carbon Resistor (chip)	100.0 0.1 J		01
-510	RD255100	Carbon Resistor (chip)	100.0 0.1 J		01
R511	RD254680	Carbon Resistor (chip)	68.0 0.1 J		01
R512	RD254680	Carbon Resistor (chip)	68.0 0.1 J		01
R513	RD250000	Carbon Resistor (chip)	0.0 0.0 J		01
R515	RD250000	Carbon Resistor (chip)	0.0 0.0 J		01

*: New Parts

RANK: J apan only

REF NO.	PART NO.	DESCRIPTION	REMARKS	QTY	NAME
-518	RD250000	Carbon Resistor (chip)	0.0 0.0 J		01
RA201	RE047220	Resistor Array	22KX4		01
-203	RE047220	Resistor Array	22KX4		01
RA451	RE047100	Resistor Array	10KX4		01
-453	RE047100	Resistor Array	10KX4		01
RA454	RE044220	Resistor Array	22X4		01
RA455	RE044220	Resistor Array	22X4		01
RA456	RE047100	Resistor Array	10KX4		01
-459	RE047100	Resistor Array	10KX4		01
RA480	RE048100	Resistor Array	100KX4		01
RA451	RE048100	Resistor Array	100KX4		01
SW101	VR365100	Slide Switch	SSSF112-S06N1	WORD CLOCK IN 75	ON/OFF
X051	WB245500	Quartz Crystal Unit	2725N 24.576MHz		06
X052	WB245200	Quartz Crystal Unit	2725N 22.5792MHz		04
X201	VP864900	Quartz Crystal Unit	16MHz SMD-49		03
X301	VZ751900	Quartz Crystal Unit	14.31818MHz SMD-49		
	WA771000	Circuit Board	JK2	(X4117C0)	
C501	US145100	Ceramic Capacitor-F (chip)	0.1000 25V Z		01
-515	US145100	Ceramic Capacitor-F (chip)	0.1000 25V Z		01
C518	US145100	Ceramic Capacitor-F (chip)	0.1000 25V Z		01
C519	US145100	Ceramic Capacitor-F (chip)	0.1000 25V Z		01
C522	US145100	Ceramic Capacitor-F (chip)	0.1000 25V Z		01
C523	US145100	Ceramic Capacitor-F (chip)	0.1000 25V Z		01
C526	US145100	Ceramic Capacitor-F (chip)	0.1000 25V Z		01
-541	US145100	Ceramic Capacitor-F (chip)	0.1000 25V Z		01
C542	UF118330	Electrolytic Cap. (chip)	330 6.3V UUR0J3		01
C543	UF047100	Electrolytic Cap. (chip)	10 25V		01
C544	US145100	Ceramic Capacitor-F (chip)	0.1000 25V Z		01
C545	US145100	Ceramic Capacitor-F (chip)	0.1000 25V Z		01
CN501	V4158600	Connector	230R(SCS1) 68P SE	CASCADE IN	
CN502	V4158600	Connector	230R(SCS1) 68P SE	CASCADE OUT	
CN503	VU196300	Connector Socket	17LE-23090-27(D4CH)	HA REMOTE	
CN504	VY730000	Connector Socket	17LE 9P SE	RS422 REMOTE	
CN505	VR147400	D-sub Connector	JBV 25P SE	GPI	
CN506	VQ048600	Connector, FFC	52045 37P TE		01
CN507	VQ048300	Connector, FFC	52045 34P TE		01
CN508	VQ048100	Connector, FFC	52045 32P TE		01
CN509	VQ047700	Connector, FFC	52045 22P TE		01
CN510	VK025200	Wire Trap	52147 8P TE		01
D501	VT332900	Diode	1SS355 TE-17		01
DA501	VV556300	Diode Array	DAN217 0.3A X2		01
-502	VV556300	Diode Array	DAN217 0.3A X2		01
EM501	VQ761400	EMI Filter (chip)	NFM3DCC101U1H3L		01
EM502	VQ761400	EMI Filter (chip)	NFM3DCC101U1H3L		01
EM503	VL534100	LC Filter	NFAC1CC101S1H8L		05
EM504	VL534100	LC Filter	NFAC1CC101S1H8L		05
EM505	VQ761400	EMI Filter (chip)	NFM3DCC101U1H3L		01
EM506	VL534100	LC Filter	NFAC1CC101S1H8L		05
EM507	VQ761400	EMI Filter (chip)	NFM3DCC101U1H3L		01
EM508	VL534100	LC Filter	NFAC1CC101S1H8L		05
-513	VL534100	LC Filter	NFAC1CC101S1H8L		05
EM514	VQ761400	EMI Filter (chip)	NFM3DCC101U1H3L		01
EM515	VQ761400	EMI Filter (chip)	NFM3DCC101U1H3L		01
EM516	VL534100	LC Filter	NFAC1CC101S1H8L		05
EM517	VQ761400	EMI Filter (chip)	NFM3DCC101U1H3L		01
-526	VQ761400	EMI Filter (chip)	NFM3DCC101U1H3L		01
EM527	VD542700	LC Filter	DSS6NF31C223Q93A		01
EM528	VL534100	LC Filter	NFAC1CC101S1H8L		05
EM529	VI243100	LC Filter	DSS6NB32A271Q93A		01
-538	VI243100	LC Filter	DSS6NB32A271Q93A		01
EM539	VD542700	LC Filter	DSS6NF31C223Q93A		01
EM540	VD542700	LC Filter	DSS6NF31C223Q93A		01
IC501	XU996A00	IC	AM26LS31CNSR	LINE DRIVER	05
IC502	XU815A00	IC	DS26C32ATMX	LINE RECEIVER	05
-506	XU815A00	IC	DS26C32ATMX	LINE RECEIVER	05
IC507	XU996A00	IC	AM26LS31CNSR	LINE DRIVER	05
-511	XU996A00	IC	AM26LS31CNSR	LINE DRIVER	05
IC512	XU815A00	IC	DS26C32ATMX	LINE RECEIVER	05
IC513	VR903700	Photo Coupler	HCPL-M600		04

* New Parts

RANK: Japan only

PM5D/PM5D-RH

REF. NO.	PART NO.	DESCRIPTION	REMARKS	QTY	RANK
IC514	XZ200A00	IC	74VHC14SJK		01
IC515	XU073A00	IC	SN75C1168NSR		05
IC517	XR532A00	IC	NJM2904V(TE1)		02
IC518	XR532A00	IC	NJM2904V(TE1)		02
IC519	X4370A00	IC	74VHC273SJK		
IC520	X4370A00	IC	74VHC273SJK		
IC521	XY874A00	IC	74VHC245SJK		02
-525	XY874A00	IC	74VHC245SJK		02
IC526	XY873A00	IC	74VHC138SJK		01
IC527	XY874A00	IC	74VHC245SJK		02
IC528	X4370A00	IC	74VHC273SJK		
IC529	XY874A00	IC	74VHC245SJK		02
-532	XY874A00	IC	74VHC245SJK		02
IC533	X4369A00	IC	74VHC244SJK		
IC534	X4369A00	IC	74VHC244SJK		
JK501	VI466400	DIN Connector	x3 DIN YKF51-5046		04
L501	GE300610	Ferrite Bead	BL02RN1-R62T4		01
-506	GE300610	Ferrite Bead	BL02RN1-R62T4		01
L507	V8143400	Chip Inductance	BLM21R1213KPT		01
-529	V8143400	Chip Inductance	BLM21R1213KPT		01
R501	RD257100	Carbon Resistor (chip)	10.0K 0.1 J		01
R502	RD255150	Carbon Resistor (chip)	150.0 0.1 J		01
-520	RD255150	Carbon Resistor (chip)	150.0 0.1 J		01
R521	RD256100	Carbon Resistor (chip)	1.0K 0.1 J		01
-538	RD256100	Carbon Resistor (chip)	1.0K 0.1 J		01
R539	RD254100	Carbon Resistor (chip)	10.0 0.1 J		01
R540	RD254100	Carbon Resistor (chip)	10.0 0.1 J		01
R541	RD256100	Carbon Resistor (chip)	1.0K 0.1 J		01
R542	RD256100	Carbon Resistor (chip)	1.0K 0.1 J		01
R543	RD254100	Carbon Resistor (chip)	10.0 0.1 J		01
-546	RD254100	Carbon Resistor (chip)	10.0 0.1 J		01
R547	RD256100	Carbon Resistor (chip)	1.0K 0.1 J		01
-584	RD256100	Carbon Resistor (chip)	1.0K 0.1 J		01
R565	RD257220	Carbon Resistor (chip)	22.0K 0.1 J		01
-608	RD257220	Carbon Resistor (chip)	22.0K 0.1 J		01
R609	RD254100	Carbon Resistor (chip)	10.0 0.1 J		01
-634	RD254100	Carbon Resistor (chip)	10.0 0.1 J		01
R635	RD256100	Carbon Resistor (chip)	1.0K 0.1 J		01
R636	RD256100	Carbon Resistor (chip)	1.0K 0.1 J		01
R637	RD254100	Carbon Resistor (chip)	10.0 0.1 J		01
R638	RD254100	Carbon Resistor (chip)	10.0 0.1 J		01
R639	RD256100	Carbon Resistor (chip)	1.0K 0.1 J		01
R640	RD256100	Carbon Resistor (chip)	1.0K 0.1 J		01
R641	RD254100	Carbon Resistor (chip)	10.0 0.1 J		01
R642	RD254100	Carbon Resistor (chip)	10.0 0.1 J		01
R643	RD256100	Carbon Resistor (chip)	1.0K 0.1 J		01
R644	RD256100	Carbon Resistor (chip)	1.0K 0.1 J		01
R645	RD254100	Carbon Resistor (chip)	10.0 0.1 J		01
-652	RD254100	Carbon Resistor (chip)	10.0 0.1 J		01
R653	RD255150	Carbon Resistor (chip)	150.0 0.1 J		01
-655	RD255150	Carbon Resistor (chip)	150.0 0.1 J		01
R656	RD255220	Carbon Resistor (chip)	220.0 0.1 J		01
-660	RD255220	Carbon Resistor (chip)	220.0 0.1 J		01
R661	RD257100	Carbon Resistor (chip)	10.0K 0.1 J		01
R662	RD257100	Carbon Resistor (chip)	10.0K 0.1 J		01
R663	RD254100	Carbon Resistor (chip)	10.0 0.1 J		01
R664	RD254100	Carbon Resistor (chip)	10.0 0.1 J		01
R665	RD255470	Carbon Resistor (chip)	470.0 0.1 J		01
-668	RD255470	Carbon Resistor (chip)	470.0 0.1 J		01
R669	RD254100	Carbon Resistor (chip)	10.0 0.1 J		01
R670	RD254100	Carbon Resistor (chip)	10.0 0.1 J		01
R671	RD256100	Carbon Resistor (chip)	1.0K 0.1 J		01
R672	RD257100	Carbon Resistor (chip)	10.0K 0.1 J		01
-674	RD257100	Carbon Resistor (chip)	10.0K 0.1 J		01
R675	HV754100	Flame Proof C. Resistor	10.0 1/4 J		01
-686	HV754100	Flame Proof C. Resistor	10.0 1/4 J		01
R693	RD256100	Carbon Resistor (chip)	1.0K 0.1 J		01
R694	RD258100	Carbon Resistor (chip)	100.0K 0.1 J		01
R695	RD256100	Carbon Resistor (chip)	1.0K 0.1 J		01
R696	RD258100	Carbon Resistor (chip)	100.0K 0.1 J		01

*: New Parts

RANK: Japan only

REF NO.	PART NO.	DESCRIPTION	REMARKS	QTY	RANK
R697	RD256100	Carbon Resistor (chip)	1.0K 0.1 J		01
R698	RD258100	Carbon Resistor (chip)	100.0K 0.1 J		01
R699	RD256100	Carbon Resistor (chip)	1.0K 0.1 J		01
R700	RD258100	Carbon Resistor (chip)	100.0K 0.1 J		01
R701	RD257100	Carbon Resistor (chip)	10.0K 0.1 J		01
RA501	RE047100	Resistor Array	10KX4		01
-504	RE047100	Resistor Array	10KX4		01
RA505	RE044220	Resistor Array	22X4		01
-508	RE044220	Resistor Array	22X4		01
RA509	RE048100	Resistor Array	100KX4		01
-512	RE048100	Resistor Array	100KX4		01
RA513	RE047100	Resistor Array	10KX4		01
-521	RE047100	Resistor Array	10KX4		01
TA501	V7723400	Transistor Array	TD62381F(EL)		04
TA502	V7723400	Transistor Array	TD62381F(EL)		04
TH501	V9414300	Protector Switch	RXE890-AP 0.90A		02
TR501	V7798800	Digital Transistor	DTA143ZUA		01
* * *	WC221700	Circuit Board	LD (LDCOM)	PM5D-RH(WC31430)(X4974C0)	
* * *	WC321600	Circuit Board	LPVOL (LDCOM)	PM5D-RH(WC31430)(X4974C0)	
* * *	WC221800	Circuit Board	STLD (LDCOM)	PM5D-RH(WC31430)(X4974C0)	
* * *	WC222100	Circuit Board	SW48 (LDCOM)	PM5D-RH(WC31430)(X4974C0)	
C601	US064100	Ceramic Capacitor B (chip)	0.0100 50V K		01
CN001	VQ046100	Connector, FFC	52044 32P SE		
CN301	VQ046100	Connector, FFC	52044 32P SE		
CN401	VB858200	Connector Base Post	PH 3P SE		01
CN501	VB858300	Connector Base Post	PH 4P SE		01
LD001	WA587900	LED (chip) Red	TLSU1020(T14,MN)	+48V 1/17/33	01
LD002	WA587900	LED (chip) Red	TLSU1020(T14,MN)	+48V 2/18/34	01
LD003	WA587900	LED (chip) Red	TLSU1020(T14,MN)	+48V 3/19/35	01
LD004	WA587900	LED (chip) Red	TLSU1020(T14,MN)	+48V 4/20/36	01
LD005	WA587900	LED (chip) Red	TLSU1020(T14,MN)	+48V 5/21/37	01
LD006	WA587900	LED (chip) Red	TLSU1020(T14,MN)	+48V 6/22/38	01
LD007	WA587900	LED (chip) Red	TLSU1020(T14,MN)	+48V 7/23/39	01
LD008	WA587900	LED (chip) Red	TLSU1020(T14,MN)	+48V 8/24/40	01
LD009	WA587900	LED (chip) Red	TLSU1020(T14,MN)	+48V 9/25/41	01
LD010	WA587900	LED (chip) Red	TLSU1020(T14,MN)	+48V 10/26/42	01
LD011	WA587900	LED (chip) Red	TLSU1020(T14,MN)	+48V 11/27/43	01
LD012	WA587900	LED (chip) Red	TLSU1020(T14,MN)	+48V 12/28/44	01
LD013	WA587900	LED (chip) Red	TLSU1020(T14,MN)	+48V 13/29/45	01
LD014	WA587900	LED (chip) Red	TLSU1020(T14,MN)	+48V 14/30/46	01
LD015	WA587900	LED (chip) Red	TLSU1020(T14,MN)	+48V 15/31/47	01
LD016	WA587900	LED (chip) Red	TLSU1020(T14,MN)	+48V 16/32/48	01
LD017	WA587900	LED (chip) Red	TLSU1020(T14,MN)	PEAK 1/17/33	01
LD018	WA587900	LED (chip) Red	TLSU1020(T14,MN)	PEAK 2/18/34	01
LD019	WA587900	LED (chip) Red	TLSU1020(T14,MN)	PEAK 3/19/35	01
LD020	WA587900	LED (chip) Red	TLSU1020(T14,MN)	PEAK 4/20/36	01
LD021	WA587900	LED (chip) Red	TLSU1020(T14,MN)	PEAK 5/21/37	01
LD022	WA587900	LED (chip) Red	TLSU1020(T14,MN)	PEAK 6/22/38	01
LD023	WA587900	LED (chip) Red	TLSU1020(T14,MN)	PEAK 7/23/39	01
LD024	WA587900	LED (chip) Red	TLSU1020(T14,MN)	PEAK 8/24/40	01
LD025	WA587900	LED (chip) Red	TLSU1020(T14,MN)	PEAK 9/25/41	01
LD026	WA587900	LED (chip) Red	TLSU1020(T14,MN)	PEAK 10/26/42	01
LD027	WA587900	LED (chip) Red	TLSU1020(T14,MN)	PEAK 11/27/43	01
LD028	WA587900	LED (chip) Red	TLSU1020(T14,MN)	PEAK 12/28/44	01
LD029	WA587900	LED (chip) Red	TLSU1020(T14,MN)	PEAK 13/29/45	01
LD030	WA587900	LED (chip) Red	TLSU1020(T14,MN)	PEAK 14/30/46	01
LD031	WA587900	LED (chip) Red	TLSU1020(T14,MN)	PEAK 15/31/47	01
LD032	WA587900	LED (chip) Red	TLSU1020(T14,MN)	PEAK 16/32/48	01
LD033	WA588100	LED (chip) Green	TLGU1020(T14,KL)	SIGNAL 1/17/33	01
LD034	WA588100	LED (chip) Green	TLGU1020(T14,KL)	SIGNAL 2/18/34	01
LD035	WA588100	LED (chip) Green	TLGU1020(T14,KL)	SIGNAL 3/19/35	01
LD036	WA588100	LED (chip) Green	TLGU1020(T14,KL)	SIGNAL 4/20/36	01
LD037	WA588100	LED (chip) Green	TLGU1020(T14,KL)	SIGNAL 5/21/37	01
LD038	WA588100	LED (chip) Green	TLGU1020(T14,KL)	SIGNAL 6/22/38	01
LD039	WA588100	LED (chip) Green	TLGU1020(T14,KL)	SIGNAL 7/23/39	01
LD040	WA588100	LED (chip) Green	TLGU1020(T14,KL)	SIGNAL 8/24/40	01
LD041	WA588100	LED (chip) Green	TLGU1020(T14,KL)	SIGNAL 9/25/41	01
LD042	WA588100	LED (chip) Green	TLGU1020(T14,KL)	SIGNAL 10/26/42	01
LD043	WA588100	LED (chip) Green	TLGU1020(T14,KL)	SIGNAL 11/27/43	01

* New Parts

RANK: Japan only

PM5D/PM5D-RH

REF NO.	PART NO.	DESCRIPTION		REMARKS	QTY	RANK
LD044	WA588100	LED (chip) Green	TLGU1020(T14,KL)	SIGNAL 12/28/44		01
LD045	WA588100	LED (chip) Green	TLGU1020(T14,KL)	SIGNAL 13/29/45		01
LD046	WA588100	LED (chip) Green	TLGU1020(T14,KL)	SIGNAL 14/30/46		01
LD047	WA588100	LED (chip) Green	TLGU1020(T14,KL)	SIGNAL 15/31/47		01
LD048	WA588100	LED (chip) Green	TLGU1020(T14,KL)	SIGNAL 16/32/48		01
LD301	WA587900	LED (chip) Red	TLSU1020(T14,MN)	+48V ST IN 1		01
LD302	WA587900	LED (chip) Red	TLSU1020(T14,MN)	+48V ST IN 1		01
LD303	WA587900	LED (chip) Red	TLSU1020(T14,MN)	+48V ST IN 2		01
LD304	WA587900	LED (chip) Red	TLSU1020(T14,MN)	+48V ST IN 2		01
LD305	WA587900	LED (chip) Red	TLSU1020(T14,MN)	+48V ST IN 3		01
LD306	WA587900	LED (chip) Red	TLSU1020(T14,MN)	+48V ST IN 3		01
LD307	WA587900	LED (chip) Red	TLSU1020(T14,MN)	+48V ST IN 4		01
LD308	WA587900	LED (chip) Red	TLSU1020(T14,MN)	+48V ST IN 4		01
LD309	WA587900	LED (chip) Red	TLSU1020(T14,MN)	PEAK ST IN 1		01
LD310	WA587900	LED (chip) Red	TLSU1020(T14,MN)	PEAK ST IN 1		01
LD311	WA587900	LED (chip) Red	TLSU1020(T14,MN)	PEAK ST IN 2		01
LD312	WA587900	LED (chip) Red	TLSU1020(T14,MN)	PEAK ST IN 2		01
LD313	WA587900	LED (chip) Red	TLSU1020(T14,MN)	PEAK ST IN 3		01
LD314	WA587900	LED (chip) Red	TLSU1020(T14,MN)	PEAK ST IN 3		01
LD315	WA587900	LED (chip) Red	TLSU1020(T14,MN)	PEAK ST IN 4		01
LD316	WA587900	LED (chip) Red	TLSU1020(T14,MN)	PEAK ST IN 4		01
LD317	WA588100	LED (chip) Green	TLGU1020(T14,KL)	SIGNAL ST IN 1		01
LD318	WA588100	LED (chip) Green	TLGU1020(T14,KL)	SIGNAL ST IN 1		01
LD319	WA588100	LED (chip) Green	TLGU1020(T14,KL)	SIGNAL ST IN 2		01
LD320	WA588100	LED (chip) Green	TLGU1020(T14,KL)	SIGNAL ST IN 2		01
LD321	WA588100	LED (chip) Green	TLGU1020(T14,KL)	SIGNAL ST IN 3		01
LD322	WA588100	LED (chip) Green	TLGU1020(T14,KL)	SIGNAL ST IN 3		01
LD323	WA588100	LED (chip) Green	TLGU1020(T14,KL)	SIGNAL ST IN 4		01
LD324	WA588100	LED (chip) Green	TLGU1020(T14,KL)	SIGNAL ST IN 4		01
RS01	RD256150	Carbon Resistor (chip)	1.5K 0.1 J			01
SW401	VQ907900	Slide Switch	SSSU112-508N-1	+48V MASTER ON/OFF		01
VR501	VP128200	Rotary Variable Resistor	B5K&DMY DMYx2 RK09	LAMP DIMMER		05
	WA771200	Circuit Board	MAIN	(X4042B0)		
10	V4761400	CPU Card	54E28700C010000			63
11	V5089900	Support	M2 L=7		3	
12	VV323200	Bind Head Screw	2.0X4 MFZN2Y		8	01
20	X4372A00	Compact Flash Card	CFC-032MBA(H00AK)	32MB		
30	V5079400	PC Card Connector Guide	IC11SA-BD-PEJL			05
BT1	VN103600	Battery Holder	CR2032			03
C2	US145100	Ceramic Capacitor-F (chip)	0.1000 25V Z			01
-5	US145100	Ceramic Capacitor-F (chip)	0.1000 25V Z			01
C6	UF018100	Electrolytic Cap. (chip)	100 6.3V			01
C7	UF018100	Electrolytic Cap. (chip)	100 6.3V			01
C8	US145100	Ceramic Capacitor-F (chip)	0.1000 25V Z			01
C10	US145100	Ceramic Capacitor-F (chip)	0.1000 25V Z			01
15	US145100	Ceramic Capacitor-F (chip)	0.1000 25V Z			01
C16	US064100	Ceramic Capacitor-B (chip)	0.0100 50V K			01
C17	US064100	Ceramic Capacitor-B (chip)	0.0100 50V K			01
C18	US063100	Ceramic Capacitor-B (chip)	1000P 50V K			01
C19	US064100	Ceramic Capacitor-B (chip)	0.0100 50V K			01
C20	US064100	Ceramic Capacitor-B (chip)	0.0100 50V K			01
C21	US145100	Ceramic Capacitor-F (chip)	0.1000 25V Z			01
C22	US145100	Ceramic Capacitor-F (chip)	0.1000 25V Z			01
C23	US062100	Ceramic Capacitor-SL(chip)	100P 50V J			01
C24	UF046470	Electrolytic Cap. (chip)	4.7 25V			01
C25	US062100	Ceramic Capacitor-SL(chip)	100P 50V J			01
C26	US145100	Ceramic Capacitor-F (chip)	0.1000 25V Z			01
-36	US145100	Ceramic Capacitor-F (chip)	0.1000 25V Z			01
C37	US062470	Ceramic Capacitor-SL(chip)	470P 50V J			01
C38	US062470	Ceramic Capacitor-SL(chip)	470P 50V J			01
C39	US145100	Ceramic Capacitor-F (chip)	0.1000 25V Z			01
C40	V4771700	Monolithic Ceramic Cap.	1.0 10V K			01
C41	V4771700	Monolithic Ceramic Cap.	1.0 10V K			01
C42	UF018100	Electrolytic Cap. (chip)	100 6.3V			01
C43	US061220	Ceramic Capacitor-CH(chip)	22P 50V J			01
C44	US061220	Ceramic Capacitor-CH(chip)	22P 50V J			01
C45	US145100	Ceramic Capacitor-F (chip)	0.1000 25V Z			01
C46	US145100	Ceramic Capacitor-F (chip)	0.1000 25V Z			01
C47	UF037100	Electrolytic Cap. (chip)	10 16V			01

*: New Parts

RANK: Japan only

REF NO.	PART NO.	DESCRIPTION	REMARKS	QTY	NAME
C50	US145100	Ceramic Capacitor-F (chip)	0.1000 25V Z		01
-60	US145100	Ceramic Capacitor-F (chip)	0.1000 25V Z		01
C62	US145100	Ceramic Capacitor-F (chip)	0.1000 25V Z		01
-66	US145100	Ceramic Capacitor-F (chip)	0.1000 25V Z		01
C68	US145100	Ceramic Capacitor-F (chip)	0.1000 25V Z		01
-83	US145100	Ceramic Capacitor-F (chip)	0.1000 25V Z		01
C85	US145100	Ceramic Capacitor-F (chip)	0.1000 25V Z		01
C86	US145100	Ceramic Capacitor-F (chip)	0.1000 25V Z		01
C87	UF138470	Electrolytic Cap. (chip)	470 16V UUR1C4		02
C88	US145100	Ceramic Capacitor-F (chip)	0.1000 25V Z		01
C89	UF138470	Electrolytic Cap. (chip)	470 16V UUR1C4		02
C90	UF138470	Electrolytic Cap. (chip)	470 16V UUR1C4		02
C91	UF066100	Electrolytic Cap. (chip)	1 50V		01
C92	US145100	Ceramic Capacitor-F (chip)	0.1000 25V Z		01
C94	US145100	Ceramic Capacitor-F (chip)	0.1000 25V Z		01
C95	UF066100	Electrolytic Cap. (chip)	1 50V		01
C97	UF017220	Electrolytic Cap. (chip)	22 6.3V		01
C98	US145100	Ceramic Capacitor-F (chip)	0.1000 25V Z		01
C100	US145100	Ceramic Capacitor-F (chip)	0.1000 25V Z		01
-112	US145100	Ceramic Capacitor-F (chip)	0.1000 25V Z		01
C114	US145100	Ceramic Capacitor-F (chip)	0.1000 25V Z		01
-117	US145100	Ceramic Capacitor-F (chip)	0.1000 25V Z		01
C118	UF138470	Electrolytic Cap. (chip)	470 16V UUR1C4		02
C119	UF017220	Electrolytic Cap. (chip)	22 6.3V		01
C121	US145100	Ceramic Capacitor-F (chip)	0.1000 25V Z		01
-123	US145100	Ceramic Capacitor-F (chip)	0.1000 25V Z		01
C128	US145100	Ceramic Capacitor-F (chip)	0.1000 25V Z		01
-135	US145100	Ceramic Capacitor-F (chip)	0.1000 25V Z		01
C136	UF066100	Electrolytic Cap. (chip)	1 50V		01
C137	US145100	Ceramic Capacitor-F (chip)	0.1000 25V Z		01
-144	US145100	Ceramic Capacitor-F (chip)	0.1000 25V Z		01
C146	US145100	Ceramic Capacitor-F (chip)	0.1000 25V Z		01
-148	US145100	Ceramic Capacitor-F (chip)	0.1000 25V Z		01
C149	US061270	Ceramic Capacitor-CH(chip)	27P 50V J		01
C150	US061270	Ceramic Capacitor-CH(chip)	27P 50V J		01
C151	US145100	Ceramic Capacitor-F (chip)	0.1000 25V Z		01
-157	US145100	Ceramic Capacitor-F (chip)	0.1000 25V Z		01
C159	US145100	Ceramic Capacitor-F (chip)	0.1000 25V Z		01
-162	US145100	Ceramic Capacitor-F (chip)	0.1000 25V Z		01
C163	US061470	Ceramic Capacitor-CH(chip)	47P 50V J		01
CN1	VB390200	Connector Base Post	PH 6P TE		01
CN2	VB390300	Connector Base Post	PH 7P TE		01
CN5	V8893100	Connector Plug	8931E 100P TE		01
CN6	V8893000	Connector Plug	8931E 80P TE		01
CN7	LB932070	Base Post Connector	VH 7P TE		01
CN8	VQ992600	Connector	53261-0590 5PIN		01
CN9	V4622700	Plug	53481 240P		07
CN10	WA979800	Pin Header	DF19G-14P-1H(59)		05
CN13	V5047300	PC Card Connector	IC11SA-68PL-1.27SF	MEMORY CARD	07
CN14	VB390100	Connector Base Post	PH 5P TE		01
CN15	VB390000	Connector Base Post	PH 4P TE		01
D2	VT332900	Diode	1SS355 TE-17		01
D3	V2376600	Diode	RB500V-40		01
D4	VT332900	Diode	1SS355 TE-17		01
D6	VT332900	Diode	1SS355 TE-17		01
EM1	VD542700	LC Filter	DSS6NF31C223Q93A		01
EM2	VD542700	LC Filter	DSS6NF31C223Q93A		01
EM4	VD542700	LC Filter	DSS6NF31C223Q93A		01
EM5	VD542700	LC Filter	DSS6NF31C223Q93A		01
EM8	VI243100	LC Filter	DSS6NB32A271Q93A		01
EM9	VI243100	LC Filter	DSS6NB32A271Q93A		01
EM13	VI243100	LC Filter	DSS6NB32A271Q93A		01
EM14	VI243100	LC Filter	DSS6NB32A271Q93A		01
EM15	VD542700	LC Filter	DSS6NF31C223Q93A		01
EM16	VD542700	LC Filter	DSS6NF31C223Q93A		01
IC2	X2157A00	IC	UPC2916TE1	REGULATOR +1.8V	03
IC3	XR537A00	IC	NJM2904V(TE1)	OP AMP	02
IC4	XW633A00	IC	TC7SH32FU(TE85L)	OR	01
IC5	XV242A00	IC	TC74VHCT245AF	TRANSCIVER	03
IC6	XZ081A00	IC	HD6417709SF133	CPU(SH-3)	12

* New Parts

RANK: Japan only

PM5D/PM5D-RH

REFNO	PART NO.	DESCRIPTION	REMARKS	QTY	RANK	
IC7	XV865A00	IC	TC7WH157FU		MULTIPLEXER	02
IC8	X2163A00	IC	M82023FP		SYSTEM RESET	03
IC9	X4853A00	IC	S-80130BNMC-JGP-T2		SYSTEM RESET	
IC10	X4852A00	IC	S-80142BNMC-JG3-T2		SYSTEM RESET	
IC11	XR680A00	IC	TC7SH08FU		AND	
IC12	X5775A00	IC	TC7SH04FU		INVERTER	01
IC13	XY937A00	IC	CY2305		CLOCK BUFFER	07
IC14	XT014A00	IC	TC74VHC08F		AND	01
IC16	XR337A00	IC	TC74VHC32F-TEL		OR	01
IC17	XZ414800	IC	W986416DH-7		SDRAM 64M	08
IC17	XZ414C00	IC	W9864G6EH-7			
IC18	X3226A00	IC	M5M5V216ATP-55HI		SRAM 2M(128KX16)	08
IC19	XW633A00	IC	TC75SH32FU(TE85L)		OR	01
IC20	XZ414800	IC	W986416DH-7		SDRAM 64M	08
IC20	XZ414C00	IC	W9864G6EH-7			
IC21	X5575A00	IC	MBM25LV320BE90TN		FLASH ROM 32M	
IC24	XR680A00	IC	TC7SH08FU		AND	
IC25	XY874A00	IC	74VHC245SJX		TRANSCEIVER	02
IC26	X4369A00	IC	74VHC244SJX		BUFFER	
IC27	X4369A00	IC	74VHC244SJX		BUFFER	
IC28	XY874A00	IC	74VHC245SJX		TRANSCEIVER	02
-36	XY874A00	IC	74VHC245SJX		TRANSCEIVER	02
IC37	XY906A00	IC	TPS2211IDBR		POWER CONTROLLER	07
IC39	XV495A00	IC	TC74VHC09AF		AND	01
IC41	XW818A00	IC	LT1117CST		REGULATOR +1.25V	07
IC42	X4853A00	IC	S-80130BNMC-JGP-T2		SYSTEM RESET	
IC43	I5000800	IC	HD74LV06AFPPEL		AND	01
IC44	XW790A00	IC	S1C37120F00A000		MULTI FUNCTION BUFFER	08
IC45	I5012500	IC	HD74LV125AFPPEL		BUFFER	01
IC47	XT014A00	IC	TC74VHC08F		AND	01
IC48	X3946A00	IC	CY7C027V-20AC		GRAM 512K	
IC49	I5000400	IC	HD74LV04AFPPEL		INVERTER	01
IC50	XW818A00	IC	LT1117CST		REGULATOR +1.25V	07
IC51	X4212A00	IC	SN75LVDS84ADGGR		LVDS TRANSMITTERS	05
IC56	XW790A00	IC	S1C37120F00A000		MULTI FUNCTION BUFFER	08
IC57	XY907A00	IC	TC74LVXC3245FS		TRANSCEIVER	04
IC58	XY961A00	IC	74VHC541SJX		BUFFER	03
IC59	XP985A00	IC	SN74LS06NSR		INVERTER	
IC60	I5016410	IC	SN74LV164ANSR		REGISTER	02
IC61	XT229A00	IC	TC74VHC00F		NAND	01
IC63	XY907A00	IC	TC74LVXC3245F5		TRANSCEIVER	04
IC64	X5775A00	IC	TC7SH04FU		INVERTER	01
IC65	XV513A00	IC	MSM82C51A-2GS-KR1		USART	06
IC66	XW842A00	IC	SN74HCU04NSR		INVERTER	01
IC67	XW313A00	IC	TC74VHC125F		BUFFER	02
IC68	XY874A00	IC	74VHC245SJX		TRANSCEIVER	02
71	XY874A00	IC	74VHC245SJX		TRANSCEIVER	02
IC73	XR680A00	IC	TC7SH08FU		AND	
IC74	XW876A00	IC	TC74VHC14F-EL		INVERTER	01
JK1	V2452000	DIN Connector (Mini)	JACK 6P TCS7927		KEYBOARD	04
JK2	V2452000	DIN Connector (Mini)	JACK 6P TCS7927		MOUSE	04
L1	GE300610	Ferrite Bead	BL02RN1-R62T4			01
-3	GE300610	Ferrite Bead	BL02RN1-R62T4			01
L5	GE300610	Ferrite Bead	BL02RN1-R62T4			01
R1	RD357100	Carbon Resistor (chip)	10.0K 63M J			01
R2	RD356300	Carbon Resistor (chip)	3.0K 63M J			01
R3	RD356200	Carbon Resistor (chip)	2.0K 63M J			01
R6	V1196600	Metal Film Resistor (chip)	4.7K 1/10 D			01
-9	V1196600	Metal Film Resistor (chip)	4.7K 1/10 D			01
R10	V1197300	Metal Film Resistor (chip)	9.1K 1/10 D			01
R11	RD358100	Carbon Resistor (chip)	100.0K 63M J			01
R12	V1197300	Metal Film Resistor (chip)	9.1K 1/10 D			01
-14	V1197300	Metal Film Resistor (chip)	9.1K 1/10 D			01
R15	RD359470	Carbon Resistor (chip)	4.7M 63M J			01
R16	RD354470	Carbon Resistor (chip)	47.0 63M J			01
-18	RD354470	Carbon Resistor (chip)	47.0 63M J			01
R19	RD355100	Carbon Resistor (chip)	100.0 63M J			01
R20	RD354470	Carbon Resistor (chip)	47.0 63M J			01
-22	RD354470	Carbon Resistor (chip)	47.0 63M J			01
R23	RD356100	Carbon Resistor (chip)	1.0K 63M J			01

*: New Parts

RANK: J span only

NOTE: Two or more maker's mixture presupposes that it is improper into the same circuit board. (IC17, 20)

REF NO.	PART NO.	DESCRIPTION	REMARKS	QTY	NAME
R24	RD357100	Carbon Resistor (chip)	10.0K 63M J		01
-29	RD357100	Carbon Resistor (chip)	10.0K 63M J		01
R30	RD356100	Carbon Resistor (chip)	1.0K 63M J		01
R31	RD356100	Carbon Resistor (chip)	1.0K 63M J		01
R32	RD357100	Carbon Resistor (chip)	10.0K 63M J		01
R33	RD355220	Carbon Resistor (chip)	220.0 63M J		01
R34	RD357100	Carbon Resistor (chip)	10.0K 63M J		01
-38	RD357100	Carbon Resistor (chip)	10.0K 63M J		01
R39	RD354330	Carbon Resistor (chip)	33.0 63M J		01
-41	RD354330	Carbon Resistor (chip)	33.0 63M J		01
R43	RD357100	Carbon Resistor (chip)	10.0K 63M J		01
-48	RD357100	Carbon Resistor (chip)	10.0K 63M J		01
R50	RD357100	Carbon Resistor (chip)	10.0K 63M J		01
R51	RD357100	Carbon Resistor (chip)	10.0K 63M J		01
R54	RD356100	Carbon Resistor (chip)	1.0K 63M J		01
R56	RD356390	Carbon Resistor (chip)	3.9K 63M J		01
R56	RD357100	Carbon Resistor (chip)	10.0K 63M J		01
-58	RD357100	Carbon Resistor (chip)	10.0K 63M J		01
R59	VI194600	Metal Film Resistor (chip)	750.0 1/10 D		01
R60	VI193900	Metal Film Resistor (chip)	390.0 1/10 D		01
R61	RD356100	Carbon Resistor (chip)	1.0K 63M J		01
R62	VI193300	Metal Film Resistor (chip)	220.0 1/10 D		01
R63	VI193800	Metal Film Resistor (chip)	380.0 1/10 D		01
R64	RD256100	Carbon Resistor (chip)	1.0K 0.1 J		01
R86	RD357100	Carbon Resistor (chip)	10.0K 63M J		01
-90	RD357100	Carbon Resistor (chip)	10.0K 63M J		01
R91	RD356100	Carbon Resistor (chip)	1.0K 63M J		01
R93	RD354330	Carbon Resistor (chip)	33.0 63M J		01
R94	RD357100	Carbon Resistor (chip)	10.0K 63M J		01
R95	RD357100	Carbon Resistor (chip)	10.0K 63M J		01
R96	RD359100	Carbon Resistor (chip)	1.0M 63M J		01
R97	RD355100	Carbon Resistor (chip)	100.0 63M J		01
R98	RD357100	Carbon Resistor (chip)	10.0K 63M J		01
R99	RD354470	Carbon Resistor (chip)	47.0 63M J		01
-110	RD354470	Carbon Resistor (chip)	47.0 63M J		01
R114	RD350000	Carbon Resistor (chip)	0 63M J		01
R115	RD355330	Carbon Resistor (chip)	330.0 63M J		01
R116	RD356100	Carbon Resistor (chip)	1.0K 63M J		01
R117	RD356100	Carbon Resistor (chip)	1.0K 63M J		01
RA1	RE047100	Resistor Array	10KX4		01
-68	RE047100	Resistor Array	10KX4		01
RY1	V2902800	Relay	DC NAS-SW-K-TN 5V		04
TH1	V4665200	Protector Switch	MINISMDC075 SMD		01
X1	WA002000	Quartz Crystal Unit	11MHz MA-406		02
X2	V6566200	Quartz Crystal Unit	40MHz DSO751SV		05
X3	VZ683900	Quartz Crystal Unit	6.144MHz SMD-49		05
**	WB056200	Circuit Board	CUVOL (MNCOM)	(WB08530)(X4143C0)	
**	WB056100	Circuit Board	MNVOL (MNCOM)	(WB08530)(X4143C0)	
**	WA770900	Circuit Board	PHN1 (MNCOM)	(WB08530)(X4143C0)	
**	WA770800	Circuit Board	TB (MNCOM)	(WB08530)(X4143C0)	
**	WB918600	Circuit Board	TBVOL (MNCOM)	(WB08530)(X4143C0)	
10	--	Noise Cut Film		(WC38010)	
C100	US062470	Ceramic Capacitor-SL(chip)	470P 50V J		01
C101	US061470	Ceramic Capacitor-CH(chip)	47P 50V J		01
C102	US061470	Ceramic Capacitor-CH(chip)	47P 50V J		01
C103	UR877470	Electrolytic Cap.	47.00 63.0V		01
C104	VJ 097400	Electrolytic Cap.-KL	10.00 50.0V		01
C105	VJ 097400	Electrolytic Cap.-KL	10.00 50.0V		01
C106	US062220	Ceramic Capacitor-SL(chip)	220P 50V J		01
C107	US062220	Ceramic Capacitor-SL(chip)	220P 50V J		01
C108	US063100	Ceramic Capacitor-B (chip)	1000P 50V K		01
C109	US061100	Ceramic Capacitor-CH(chip)	10F 50V D		01
C110	UR819100	Electrolytic Cap.	1000 6.3V		01
C111	US061100	Ceramic Capacitor-CH(chip)	10P 50V D		01
C112	US062220	Ceramic Capacitor-SL(chip)	220P 50V J		01
C113	US063100	Ceramic Capacitor-B (chip)	1000P 50V K		01
C114	US064100	Ceramic Capacitor-B (chip)	0.0100 50V K		01
C115	US061220	Ceramic Capacitor-CH(chip)	22P 50V J		01
C116	US061220	Ceramic Capacitor-CH(chip)	22P 50V J		01

* New Parts

RANK: Japan only

PM5D/PM5D-RH

REF NO.	PART NO.	DESCRIPTION		REMARKS	QTY	RANK
C117	US064100	Ceramic Capacitor-B (chip)	0.0100 50V K			01
C118	UR847470	Electrolytic Cap.	47.00 25.0V			01
C119	UR847470	Electrolytic Cap.	47.00 25.0V			01
C120	US062220	Ceramic Capacitor-SL(chip)	220P 50V J			01
C121	US064100	Ceramic Capacitor-B (chip)	0.0100 50V K			01
C122	US064100	Ceramic Capacitor-B (chip)	0.0100 50V K			01
C123	US062220	Ceramic Capacitor-SL(chip)	220P 50V J			01
C124	UA353220	Mylar Capacitor	2200P 50V J			01
C125	UR847220	Electrolytic Cap.	22.00 25.0V			01
C126	US145100	Ceramic Capacitor-F (chip)	0.1000 25V Z			01
C127	UR847220	Electrolytic Cap.	22.00 25.0V			01
C128	US145100	Ceramic Capacitor-F (chip)	0.1000 25V Z			01
C129	US135220	Ceramic Capacitor-F (chip)	0.2200 16V Z			01
C130	UR867100	Electrolytic Cap.	10.00 50.0V			01
C131	US135220	Ceramic Capacitor-F (chip)	0.2200 16V Z			01
C132	UR867100	Electrolytic Cap.	10.00 50.0V			01
C133	US145100	Ceramic Capacitor-F (chip)	0.1000 25V Z			01
C134	US145100	Ceramic Capacitor-F (chip)	0.1000 25V Z			01
C135	UR867100	Electrolytic Cap.	10.00 50.0V			01
C138	US145100	Ceramic Capacitor-F (chip)	0.1000 25V Z			01
-138	US145100	Ceramic Capacitor-F (chip)	0.1000 25V Z			01
C200	UR877470	Electrolytic Cap.	47.00 63.0V			01
G201	UR848100	Electrolytic Cap.	100.00 25.0V			01
G202	UR848100	Electrolytic Cap.	100.00 25.0V			01
G203	UR838100	Electrolytic Cap.	100.00 16.0V			01
C204	UR838100	Electrolytic Cap.	100.00 16.0V			01
C500	US145100	Ceramic Capacitor-F (chip)	0.1000 25V Z			01
C501	UR848100	Electrolytic Cap.	100.00 25.0V			01
-504	UR848100	Electrolytic Cap.	100.00 25.0V			01
C505	UR857470	Electrolytic Cap.	47.00 35.0V			01
C506	US145100	Ceramic Capacitor-F (chip)	0.1000 25V Z			01
C507	US145100	Ceramic Capacitor-F (chip)	0.1000 25V Z			01
C508	UA355100	Mylar Capacitor	0.1000 50V J			01
C509	UR848100	Electrolytic Cap.	100.00 25.0V			01
C510	US145100	Ceramic Capacitor-F (chip)	0.1000 25V Z			01
C511	UR867100	Electrolytic Cap.	10.00 50.0V			01
C512	US145100	Ceramic Capacitor-F (chip)	0.1000 25V Z			01
C513	US135220	Ceramic Capacitor-F (chip)	0.2200 16V Z			01
C514	UR867100	Electrolytic Cap.	10.00 50.0V			01
C515	US145100	Ceramic Capacitor-F (chip)	0.1000 25V Z			01
-517	US145100	Ceramic Capacitor-F (chip)	0.1000 25V Z			01
C518	UR867100	Electrolytic Cap.	10.00 50.0V			01
C519	UR867100	Electrolytic Cap.	10.00 50.0V			01
C520	FG651470	Ceramic Capacitor-SL	47P 50V J			01
C600	US061560	Ceramic Capacitor-CH(chip)	56P 50V J			01
-603	US061560	Ceramic Capacitor-CH(chip)	56P 50V J			01
C604	UA353330	Mylar Capacitor	3300P 50V J			01
C605	UA353330	Mylar Capacitor	3300P 50V J			01
C606	US064100	Ceramic Capacitor-B (chip)	0.0100 50V K			01
C607	US064100	Ceramic Capacitor-B (chip)	0.0100 50V K			01
C608	UA353160	Mylar Capacitor	1600P 50V J			01
C609	UA353160	Mylar Capacitor	1600P 50V J			01
C610	US064100	Ceramic Capacitor-B (chip)	0.0100 50V K			01
C611	US064100	Ceramic Capacitor-B (chip)	0.0100 50V K			01
C612	UR867100	Electrolytic Cap.	10.00 50.0V			01
-615	UR867100	Electrolytic Cap.	10.00 50.0V			01
C616	US061220	Ceramic Capacitor-CH(chip)	22P 50V J			01
C617	US061220	Ceramic Capacitor-CH(chip)	22P 50V J			01
C618	UR838100	Electrolytic Cap.	100.00 16.0V			01
C619	UR838100	Electrolytic Cap.	100.00 16.0V			01
C620	US064100	Ceramic Capacitor-B (chip)	0.0100 50V K			01
C621	UA353470	Mylar Capacitor	4700P 50V J			01
C622	UA353470	Mylar Capacitor	4700P 50V J			01
C623	US062220	Ceramic Capacitor-SL(chip)	220P 50V J			01
C624	US062220	Ceramic Capacitor-SL(chip)	220P 50V J			01
C625	UR838470	Electrolytic Cap.	470.00 16.0V			01
C626	UR838470	Electrolytic Cap.	470.00 16.0V			01
C627	VE326400	Monolithic Mylar Capacitor	0.22 50V J			01
C628	VE326400	Monolithic Mylar Capacitor	0.22 50V J			01
CN100	VK027300	Wire Trap	5215! 14P SE			01

*: New Parts

RANK: Japan only

REF NO.	PART NO.	DESCRIPTION	REMARKS	QTY	RANK
CN101	VB858200	Connector Base Post	PH 3P SE		01
CN102	VB858200	Connector Base Post	PH 3P SE		01
CN200	VK015500	Connector Base Post	PH 15P SE		01
CN300	VB858800	Connector Base Post	PH 9P SE		01
CN400	VC166500	Connector Base Post	PH 12P SE		01
CN401	VB858600	Connector Base Post	PH 7P SE		01
CN500	VH904200	Connector Base Post	PH 14P SE		01
CN501	VK027200	Wire Trap	52151 13P SE		01
CN600	VB858600	Connector Base Post	PH 7P SE		01
D100	VS201100	Diode	D1F60		01
D101	V9634300	Diode	RB551V-30 TE-17		01
-104	V9634300	Diode	RB551V-30 TE-17		01
D500	WB880900	Diode	10EDA40-TA1B2 26		01
-503	WB880900	Diode	10EDA40-TA1B2 26		01
D504	V4607200	Diode	1FWJ43N		01
EM100	VI243100	LC Filter	DSS6NB32A271Q93A		01
EM101	VI243100	LC Filter	DSS6NB32A271Q93A		01
EM200	VD542700	LC Filter	DSS6NF31C223Q93A		01
-203	VD542700	LC Filter	DSS6NF31C223Q93A		01
EM500	VD542700	LC Filter	DSS6NF31C223Q93A		01
-503	VD542700	LC Filter	DSS6NF31C223Q93A		01
EM504	WA049400	LC Filter	DSS6NE32A222Q93A		01
EM600	VD542700	LC Filter	DSS6NF31C223Q93A		01
EM601	VD542700	LC Filter	DSS6NF31C223Q93A		01
IC100	XF291A00	IC	UPC4570G2	OP AMP	03
IC101	XF291A00	IC	UPC4570G2	OP AMP	03
IC102	XZ298A00	IC	AK5393V5-E2	ADC	12
IC103	XD838A00	IC	SN74HC245NSR	TRANSCEIVER	04
IC104	XM182A00	IC	TC7S04F	INVERTER	01
IC500	XM182A00	IC	TC7S04F	INVERTER	01
IC501	XD838A00	IC	SN74HC245NSR	TRANSCEIVER	04
IC502	XW029A00	IC	AK4393VF-E2	DAC	07
IC503	XJ598A00	IC	NJM78L05UA	REGULATOR +5V	02
IC504	XJ608A00	IC	NJM7812FA	REGULATOR +12V	02
IC600	XF291A00	IC	UPC4570G2	OP AMP	03
IC601	XF291A00	IC	UPC4570G2	OP AMP	03
IC602	XP705A00	IC	NJM2073D	POWER AMP 0.65W 2CH	03
JK100	V8910800	Cannon Connector	JACK NC3FBHR1	TALKBACK	06
JK600	LB302070	Phone Jack	ST JACK HLJ0544	PHONES	03
R100	VP441000	Metal Film Resistor	6.8K 1/4 F		01
R101	VP441000	Metal Film Resistor	6.8K 1/4 F		01
R102	HF458100	Carbon Resistor	100.0K 1/4 J		01
R103	RD257100	Carbon Resistor (chip)	10.0K 0.1 J		01
R104	HV755390	Flame Proof C. Resistor	390.0 1/4 J		01
R106	HF454100	Carbon Resistor	10.0 1/4 J		01
R107	HF454100	Carbon Resistor	10.0 1/4 J		01
R108	VP443000	Metal Film Resistor	47.0K 1/4 F		01
R109	VP443000	Metal Film Resistor	47.0K 1/4 F		01
R110	HF454100	Carbon Resistor	10.0 1/4 J		01
R111	HF454100	Carbon Resistor	10.0 1/4 J		01
R112	VP439800	Metal Film Resistor	2.2K 1/4 F		01
R113	VP440900	Metal Film Resistor	8.2K 1/4 F		01
R114	HB024680	Metal Film Resistor	68.0 1/4 F		01
R115	VP442200	Metal Film Resistor	22.0K 1/4 F		01
R116	VP439800	Metal Film Resistor	2.2K 1/4 F		01
R117	VP440900	Metal Film Resistor	6.2K 1/4 F		01
R118	VP442200	Metal Film Resistor	22.0K 1/4 F		01
R119	VP441400	Metal Film Resistor	10.0K 1/4 F		01
R120	VP441400	Metal Film Resistor	10.0K 1/4 F		01
R121	HF454390	Carbon Resistor	39.0 1/4 J		01
R123	HB027200	Metal Film Resistor	20.0K 1/4 F		01
R124	HB026220	Metal Film Resistor	2.2K 1/4 F		01
-125	HB026220	Metal Film Resistor	2.2K 1/4 F		01
R127	HB026270	Metal Film Resistor	2.7K 1/4 F		01
R128	HB027110	Metal Film Resistor	11.0K 1/4 F		01
R129	HB026270	Metal Film Resistor	2.7K 1/4 F		01
R130	HF454470	Carbon Resistor	47.0 1/4 J		01
R131	HF454470	Carbon Resistor	47.0 1/4 J		01
R132	RD255100	Carbon Resistor (chip)	100.0 0.1 J		01
-137	RD255100	Carbon Resistor (chip)	100.0 0.1 J		01

* New Parts

RANK: Japan only

PM5D/PM5D-RH

REF NO.	PART NO.	DESCRIPTION		REMARKS	QTY	RANK
R500	RD255100	Carbon Resistor (chip)	100.0 0.1 J			01
-506	RD255100	Carbon Resistor (chip)	100.0 0.1 J			01
R507	RD257100	Carbon Resistor (chip)	10.0K 0.1 J			01
R508	RD258100	Carbon Resistor (chip)	100.0K 0.1 J			01
R509	RD255100	Carbon Resistor (chip)	100.0 0.1 J			01
-515	RD255100	Carbon Resistor (chip)	100.0 0.1 J			01
R516	RD258100	Carbon Resistor (chip)	100.0K 0.1 J			01
R517	RD256100	Carbon Resistor (chip)	1.0K 0.1 J			01
R518	RD257100	Carbon Resistor (chip)	10.0K 0.1 J			01
R519	RD257100	Carbon Resistor (chip)	10.0K 0.1 J			01
R520	HF456220	Carbon Resistor	2.2K 1/4 J			01
R521	HF456220	Carbon Resistor	2.2K 1/4 J			01
R522	HF457100	Carbon Resistor	10.0K 1/4 J			01
R523	RD258100	Carbon Resistor (chip)	100.0K 0.1 J			01
R524	RD257100	Carbon Resistor (chip)	10.0K 0.1 J			01
R525	HF456470	Carbon Resistor	4.7K 1/4 J			01
R526	RD258100	Carbon Resistor (chip)	100.0K 0.1 J			01
R600	HB026390	Metal Film Resistor	3.9K 1/4 F			01
-603	HB026390	Metal Film Resistor	3.9K 1/4 F			01
R604	HB027180	Metal Film Resistor	18.0K 1/4 F			01
-607	HB027180	Metal Film Resistor	18.0K 1/4 F			01
R608	HB026100	Metal Film Resistor	1.0K 1/4 F			01
-611	HB026100	Metal Film Resistor	1.0K 1/4 F			01
R612	HF454390	Carbon Resistor	39.0 1/4 J			01
R613	HF454390	Carbon Resistor	39.0 1/4 J			01
R614	HB027470	Metal Film Resistor	47.0K 1/4 F			01
R615	HB027470	Metal Film Resistor	47.0K 1/4 F			01
R616	HB027200	Metal Film Resistor	20.0K 1/4 F			01
R617	HB027200	Metal Film Resistor	20.0K 1/4 F			01
R618	HB025130	Metal Film Resistor	130.0 1/4 F			01
R619	HB025130	Metal Film Resistor	130.0 1/4 F			01
R620	HB026510	Metal Film Resistor	5.1K 1/4 F			01
R621	HB026510	Metal Film Resistor	5.1K 1/4 F			01
R622	HF454150	Carbon Resistor	15.0 1/4 J			01
R623	HF454150	Carbon Resistor	15.0 1/4 J			01
R624	RD258100	Carbon Resistor (chip)	100.0K 0.1 J			01
R625	RD258100	Carbon Resistor (chip)	100.0K 0.1 J			01
R626	VC742900	Metal Oxide Film Resistor	15.0 1W J			01
R627	RD257100	Carbon Resistor (chip)	10.0K 0.1 J			01
R628	VC742900	Metal Oxide Film Resistor	15.0 1W J			01
R629	RD257100	Carbon Resistor (chip)	10.0K 0.1 J			01
RY100	VU685600	Relay	DC NA- 5 W-K			06
TR100	VV556400	Transistor	2SC2412K Q,R,S			01
TR101	IC 224030	Transistor	2SC2240 GR,BL			01
TR102	IC 224030	Transistor	2SC2240 GR,BL			01
TR500	VJ 927100	Transistor	2SC2712 Y			01
TR501	VJ 927100	Transistor	2SC2712 Y			01
TR502	VQ395600	Transistor	2SA1052 B,C			01
TR503	VG013300	Transistor	2SB1132 82-390			01
TR506	V2993500	Transistor	2SD1979 S,T			01
TR601	V2993500	Transistor	2SD1979 S,T			01
VR100	V9075600	Rotary Variable Resistor	A10K RK09L	TALKBACK LEVEL		05
VR300	VY877500	Rotary Variable Resistor	A 10.0K RK09714	MONITOR LEVEL		05
VR400	VY877500	Rotary Variable Resistor	A 10.0K RK09714	MONITOR PHONES		05
VR401	V3123000	Rotary Variable Resistor	RK09L12B0 A10K X 2	CUE LEVEL		03
	WA771100	Circuit Board	OPT	(X4116C0)		
CN801	VQ048100	Connector, FFC	52045 32P TE			01
CN802	VQ048000	Connector, FFC	52045 31P TE			02
CN803	VP327200	Connector, FFC	52045 30P TE			01
CN804	VP127700	Connector, FFC	52045 24P TE			01
CN805	VO022300	Connector, FFC	52044 40P SE			02
CN806	VB858600	Connector Base Post	PH 7P SE			01
CN807	LB933100	Base Post Connector	VH 10F SE			02
CN901	VU328200	Plug	PHEC 100P TE	SLOT 1		05
CN902	VU328200	Plug	PHEC 100P TE	SLOT 2		05
CN903	VU328200	Plug	PHEC 100P TE	SLOT 3		05
CN904	VU328200	Plug	PHEC 100P TE	SLOT 4		05
R102	RD355100	Carbon Resistor (chip)	100.0 63M J			01
-105	RD355100	Carbon Resistor (chip)	100.0 63M J			01

*: New Parts

RANK: J apan only

REF NO.	PART NO.	DESCRIPTION		REMARKS	QTY	NAME
R107	RD355100	Carbon Resistor (chip)	100.0 63M J			01
-110	RD355100	Carbon Resistor (chip)	100.0 63M J			01
R112	RD355100	Carbon Resistor (chip)	100.0 63M J			01
-115	RD355100	Carbon Resistor (chip)	100.0 63M J			01
R117	RD355100	Carbon Resistor (chip)	100.0 63M J			01
-120	RD355100	Carbon Resistor (chip)	100.0 63M J			01
R201	RD355100	Carbon Resistor (chip)	100.0 63M J			01
-232	RD355100	Carbon Resistor (chip)	100.0 63M J			01
R301	RD354680	Carbon Resistor (chip)	68.0 63M J			01
-364	RD354680	Carbon Resistor (chip)	68.0 63M J			01
R401	RD355100	Carbon Resistor (chip)	100.0 63M J			01
-440	RD355100	Carbon Resistor (chip)	100.0 63M J			01
* WA768800	Circuit Board	PN1		(X4092B01)		
VA119300	Adhesive Tape	12X25			6	01
* WB475200	Button Small	LENS/BLUE		FLIP (FAOER),MIX SEND SELECT 1-24 (ENCODER MODE)	25	
* WC309900	Button Small	LENS/1D_RED		PAN (ENCODER MODE)		
* WC310000	Button Small	LENS/S_GRAY		GAIN/ATT (ENCODER MODE), ON,CUE (MATRIX 1-8), ON,CUE (MIX 1-24)	65	
* WC310400	Button Small	LENS/M_GRAY		ALT LAYER (ENCODER MODE), SEL (MATRIX 1-8), SEL (MIX 1-24)	33	
C100	US145100	Ceramic Capacitor-F (chip)	0.1000 25V Z			01
-168	US145100	Ceramic Capacitor-F (chip)	0.1000 25V Z			01
* C169	WC404500	Electrolytic Cap.-UD(chip)	150.00 10.0V			
* -171	WC404500	Electrolytic Cap.-UD(chip)	150.00 10.0V			
* C173	WC404500	Electrolytic Cap.-UD(chip)	150.00 10.0V			
* -178	WC404500	Electrolytic Cap.-UD(chip)	150.00 10.0V			
C301	US145100	Ceramic Capacitor-F (chip)	0.1000 25V Z			01
C302	US145100	Ceramic Capacitor-F (chip)	0.1000 25V Z			01
C500	US145100	Ceramic Capacitor-F (chip)	0.1000 25V Z			01
-505	US145100	Ceramic Capacitor-F (chip)	0.1000 25V Z			01
C506	US061680	Ceramic Capacitor-SL(chip)	68P 50V J			01
C600	US145100	Ceramic Capacitor-F (chip)	0.1000 25V Z			01
C601	UF037100	Electrolytic Cap. (chip)	10 16V			01
C602	US145100	Ceramic Capacitor-F (chip)	0.1000 25V Z			01
-606	US145100	Ceramic Capacitor-F (chip)	0.1000 25V Z			01
C607	UF037100	Electrolytic Cap. (chip)	10 16V			01
C608	US145100	Ceramic Capacitor-F (chip)	0.1000 25V Z			01
-612	US145100	Ceramic Capacitor-F (chip)	0.1000 25V Z			01
C613	UF037100	Electrolytic Cap. (chip)	10 16V			01
C614	US145100	Ceramic Capacitor-F (chip)	0.1000 25V Z			01
-618	US145100	Ceramic Capacitor-F (chip)	0.1000 25V Z			01
C619	UF037100	Electrolytic Cap. (chip)	10 16V			01
C620	US145100	Ceramic Capacitor-F (chip)	0.1000 25V Z			01
C621	US145100	Ceramic Capacitor-F (chip)	0.1000 25V Z			01
C622	UF037100	Electrolytic Cap. (chip)	10 16V			01
C670	US061220	Ceramic Capacitor-CH(chip)	22F 50V J			01
-661	US061220	Ceramic Capacitor-CH(chip)	22F 50V J			01
CN100	LB933050	Base Post Connector	VH 5P SE			01
CN101	VI879300	Cable Holder	51048 15P TE			01
CN102	VI878700	Cable Holder	51048 9P TE			01
D400	VT332900	Diode	1SS355 TE-17			01
-523	VT332900	Diode	1SS355 TE-17			01
EC200	V3750700	Rotary Encoder	EC12E2410401	MATRIX 1		01
EC201	V3750700	Rotary Encoder	EC12E2410401	MATRIX 2		01
EC202	V3750700	Rotary Encoder	EC12E2410401	MATRIX 3		01
EC203	V3750700	Rotary Encoder	EC12E2410401	MATRIX 4		01
EC204	V3750700	Rotary Encoder	EC12E2410401	MATRIX 5		01
EC205	V3750700	Rotary Encoder	EC12E2410401	MATRIX 6		01
EC206	V3750700	Rotary Encoder	EC12E2410401	MATRIX 7		01
EC207	V3750700	Rotary Encoder	EC12E2410401	MATRIX 8		01
EC208	V3750700	Rotary Encoder	EC12E2410401	MIX 1		01
EC209	V3750700	Rotary Encoder	EC12E2410401	MIX 2		01
EC210	V3750700	Rotary Encoder	EC12E2410401	MIX 3		01
EC211	V3750700	Rotary Encoder	EC12E2410401	MIX 4		01
EC212	V3750700	Rotary Encoder	EC12E2410401	MIX 5		01
EC213	V3750700	Rotary Encoder	EC12E2410401	MIX 6		01

* New Parts

RANK: Japan only

PM5D/PM5D-RH

REF. NO.	PART NO.	DESCRIPTION		REMARKS	QTY	RANK
EC214	V3750700	Rotary Encoder	EC12E2410401	MIX 7		01
EC215	V3750700	Rotary Encoder	EC12E2410401	MIX 8		01
EC216	V3750700	Rotary Encoder	EC12E2410401	MIX 9		01
EC217	V3750700	Rotary Encoder	EC12E2410401	MIX 10		01
EC218	V3750700	Rotary Encoder	EC12E2410401	MIX 11		01
EC219	V3750700	Rotary Encoder	EC12E2410401	MIX 12		01
EC220	V3750700	Rotary Encoder	EC12E2410401	MIX 13		01
EC221	V3750700	Rotary Encoder	EC12E2410401	MIX 14		01
EC222	V3750700	Rotary Encoder	EC12E2410401	MIX 15		01
EC223	V3750700	Rotary Encoder	EC12E2410401	MIX 16		01
EC224	V3750700	Rotary Encoder	EC12E2410401	MIX 17		01
EC225	V3750700	Rotary Encoder	EC12E2410401	MIX 18		01
EC226	V3750700	Rotary Encoder	EC12E2410401	MIX 19		01
EC227	V3750700	Rotary Encoder	EC12E2410401	MIX 20		01
EC228	V3750700	Rotary Encoder	EC12E2410401	MIX 21		01
EC229	V3750700	Rotary Encoder	EC12E2410401	MIX 22		01
EC230	V3750700	Rotary Encoder	EC12E2410401	MIX 23		01
EC231	V3750700	Rotary Encoder	EC12E2410401	MIX 24		01
IC100	XV973A00	IC	SGH603064F-62F	GATE ARRAY		07
IC101	XV973A00	IC	SGH603064F-62F	GATE ARRAY		07
IC300	X3693A00	IC	SN74LV245APWR	TRANSCEIVER		
IC301	X3693A00	IC	SN74LV245APWR	TRANSCEIVER		
IC500	15059500	IC	HD74LV595AFPEL	REGISTER		02
IC501	XT163A00	IC	TC74HC298AF	TRANSCEIVER		03
IC502	15000200	IC	HD74LV02AFPEL	NOR		01
IC503	15007400	IC	HD74LV74AFPEL	D-FF		01
IC504	X4129A00	IC	SN74AHC04PWR	INVERTER		
IC600	XV014A00	IC	T062M8600F	SOURCE DRIVER		05
IC601	XV013A00	IC	T862705CF(EL)	LED DRIVER		04
-604	XV013A00	IC	T862705CF(EL)	LED DRIVER		04
IC605	XV014A00	IC	T062M8600F	SOURCE DRIVER		05
IC606	XV013A00	IC	T862705CF(EL)	LED DRIVER		04
-609	XV013A00	IC	T862705CF(EL)	LED DRIVER		04
IC610	XV014A00	IC	T062M8600F	SOURCE DRIVER		05
IC611	XV013A00	IC	T862705CF(EL)	LED DRIVER		04
-614	XV013A00	IC	T862705CF(EL)	LED DRIVER		04
IC615	XV014A00	IC	T062M8600F	SOURCE DRIVER		05
IC616	XV013A00	IC	T862705CF(EL)	LED DRIVER		04
IC617	XV014A00	IC	T062M8600F	SOURCE DRIVER		05
LD100	WA877100	LED (chip) Orange	TLOU1020(T14,MN)	ON (MIX 17)		01
LD101	WA877100	LED (chip) Orange	TLOU1020(T14,MN)	ON (MIX 18)		01
LD102	WA877100	LED (chip) Orange	TLOU1020(T14,MN)	ON (MIX 19)		01
LD103	WA877100	LED (chip) Orange	TLOU1020(T14,MN)	ON (MIX 20)		01
LD104	WA877100	LED (chip) Orange	TLOU1020(T14,MN)	ON (MIX 21)		01
LD105	WA877100	LED (chip) Orange	TLOU1020(T14,MN)	ON (MIX 22)		01
LD106	WA877100	LED (chip) Orange	TLOU1020(T14,MN)	ON (MIX 23)		01
LD107	WA877100	LED (chip) Orange	TLOU1020(T14,MN)	ON (MIX 24)		01
LD108	WA587900	LED (chip) Red	TLSU1020(T14,MN)	TO ST (MIX 17)		01
LD109	WA587900	LED (chip) Red	TLSU1020(T14,MN)	TO ST (MIX 18)		01
LD110	WA587900	LED (chip) Red	TLSU1020(T14,MN)	TO ST (MIX 19)		01
LD111	WA587900	LED (chip) Red	TLSU1020(T14,MN)	TO ST (MIX 20)		01
LD112	WA587900	LED (chip) Red	TLSU1020(T14,MN)	TO ST (MIX 21)		01
LD113	WA587900	LED (chip) Red	TLSU1020(T14,MN)	TO ST (MIX 22)		01
LD114	WA587900	LED (chip) Red	TLSU1020(T14,MN)	TO ST (MIX 23)		01
LD115	WA587900	LED (chip) Red	TLSU1020(T14,MN)	TO ST (MIX 24)		01
LD116	WA877100	LED (chip) Orange	TLOU1020(T14,MN)	IO MTRX (MIX 17)		01
LD117	WA877100	LED (chip) Orange	TLOU1020(T14,MN)	TO MTRX (MIX 18)		01
LD118	WA877100	LED (chip) Orange	TLOU1020(T14,MN)	TO MTRX (MIX 19)		01
LD119	WA877100	LED (chip) Orange	TLOU1020(T14,MN)	TO MTRX (MIX 20)		01
LD120	WA877100	LED (chip) Orange	TLOU1020(T14,MN)	TO MTRX (MIX 21)		01
LD121	WA877100	LED (chip) Orange	TLOU1020(T14,MN)	TO MTRX (MIX 22)		01
LD122	WA877100	LED (chip) Orange	TLOU1020(T14,MN)	TO MTRX (MIX 23)		01
LD123	WA877100	LED (chip) Orange	TLOU1020(T14,MN)	TO MTRX (MIX 24)		01
LD124	WA587900	LED (chip) Red	TLSU1020(T14,MN)	PAIR (MIX 17/MIX 18)		01
LD126	WA587900	LED (chip) Red	TLSU1020(T14,MN)	PAIR (MIX 19/MIX 20)		01
LD128	WA587900	LED (chip) Red	TLSU1020(T14,MN)	PAIR (MIX 21/MIX 22)		01
LD130	WA587900	LED (chip) Red	TLSU1020(T14,MN)	PAIR (MIX 23/MIX 24)		01
LD132	WC153200	LED (chip) Yellow	TLVY1020(T14,JK)	DCA 7 (MIX 17)		
LD133	WC153200	LED (chip) Yellow	TLVY1020(T14,JK)	DCA 7 (MIX 18)		
LD134	WC153200	LED (chip) Yellow	TLVY1020(T14,JK)	DCA 7 (MIX 19)		

*: New Parts

RANK: Japan only

REF NO.	PART NO.	DESCRIPTION	REMARKS	QTY	RANK
LD135	WC153200	LED (chip) Yellow	TLVY1020(T14,JK)	DCA 7 (MIX 20)	
LD136	WC153200	LED (chip) Yellow	TLVY1020(T14,JK)	DCA 7 (MIX 21)	
LD137	WC153200	LED (chip) Yellow	TLVY1020(T14,JK)	DCA 7 (MIX 22)	
LD138	WC153200	LED (chip) Yellow	TLVY1020(T14,JK)	DCA 7 (MIX 23)	
LD139	WC153200	LED (chip) Yellow	TLVY1020(T14,JK)	DCA 7 (MIX 24)	
LD140	WA877100	LED (chip) Orange	TLOU1020(T14,MN)	CUE (MIX 17)	01
LD141	WA877100	LED (chip) Orange	TLOU1020(T14,MN)	CUE (MIX 18)	01
LD142	WA877100	LED (chip) Orange	TLOU1020(T14,MN)	CUE (MIX 19)	01
LD143	WA877100	LED (chip) Orange	TLOU1020(T14,MN)	CUE (MIX 20)	01
LD144	WA877100	LED (chip) Orange	TLOU1020(T14,MN)	CUE (MIX 21)	01
LD145	WA877100	LED (chip) Orange	TLOU1020(T14,MN)	CUE (MIX 22)	01
LD146	WA877100	LED (chip) Orange	TLOU1020(T14,MN)	CUE (MIX 23)	01
LD147	WA877100	LED (chip) Orange	TLOU1020(T14,MN)	CUE (MIX 24)	01
LD148	WA588100	LED (chip) Green	TLGU1020(T14,KL)	SEL (MIX 17)	01
LD149	WA588100	LED (chip) Green	TLGU1020(T14,KL)	SEL (MIX 18)	01
LD150	WA588100	LED (chip) Green	TLGU1020(T14,KL)	SEL (MIX 19)	01
LD151	WA588100	LED (chip) Green	TLGU1020(T14,KL)	SEL (MIX 20)	01
LD152	WA588100	LED (chip) Green	TLGU1020(T14,KL)	SEL (MIX 21)	01
LD153	WA588100	LED (chip) Green	TLGU1020(T14,KL)	SEL (MIX 22)	01
LD154	WA588100	LED (chip) Green	TLGU1020(T14,KL)	SEL (MIX 23)	01
LD155	WA588100	LED (chip) Green	TLGU1020(T14,KL)	SEL (MIX 24)	01
LD156	WA877100	LED (chip) Orange	TLOU1020(T14,MN)	8 (MIX 17)	01
LD157	WA877100	LED (chip) Orange	TLOU1020(T14,MN)	7 (MIX 17)	01
LD158	WA877100	LED (chip) Orange	TLOU1020(T14,MN)	6 (MIX 17)	01
LD159	WA877100	LED (chip) Orange	TLOU1020(T14,MN)	5 (MIX 17)	01
LD160	WA877100	LED (chip) Orange	TLOU1020(T14,MN)	4 (MIX 17)	01
LD161	WA877100	LED (chip) Orange	TLOU1020(T14,MN)	3 (MIX 17)	01
LD162	WA877100	LED (chip) Orange	TLOU1020(T14,MN)	2 (MIX 17)	01
LD163	WA877100	LED (chip) Orange	TLOU1020(T14,MN)	1 (MIX 17)	01
LD164	WA877100	LED (chip) Orange	TLOU1020(T14,MN)	9 (MIX 17)	01
LD165	WA877100	LED (chip) Orange	TLOU1020(T14,MN)	A (MIX 17)	01
LD166	WA877100	LED (chip) Orange	TLOU1020(T14,MN)	B (MIX 17)	01
LD167	WA877100	LED (chip) Orange	TLOU1020(T14,MN)	C (MIX 17)	01
LD168	WA877100	LED (chip) Orange	TLOU1020(T14,MN)	D (MIX 17)	01
LD169	WA877100	LED (chip) Orange	TLOU1020(T14,MN)	E (MIX 17)	01
LD170	WA877100	LED (chip) Orange	TLOU1020(T14,MN)	F (MIX 17)	01
LD171	WC153200	LED (chip) Yellow	TLVY1020(T14,JK)	DCA 8 (MIX 17)	
LD172	WA877100	LED (chip) Orange	TLOU1020(T14,MN)	8 (MIX 18)	01
LD173	WA877100	LED (chip) Orange	TLOU1020(T14,MN)	7 (MIX 18)	01
LD174	WA877100	LED (chip) Orange	TLOU1020(T14,MN)	6 (MIX 18)	01
LD175	WA877100	LED (chip) Orange	TLOU1020(T14,MN)	5 (MIX 18)	01
LD176	WA877100	LED (chip) Orange	TLOU1020(T14,MN)	4 (MIX 18)	01
LD177	WA877100	LED (chip) Orange	TLOU1020(T14,MN)	3 (MIX 18)	01
LD178	WA877100	LED (chip) Orange	TLOU1020(T14,MN)	2 (MIX 18)	01
LD179	WA877100	LED (chip) Orange	TLOU1020(T14,MN)	1 (MIX 18)	01
LD180	WA877100	LED (chip) Orange	TLOU1020(T14,MN)	9 (MIX 18)	01
LD181	WA877100	LED (chip) Orange	TLOU1020(T14,MN)	A (MIX 18)	01
LD182	WA877100	LED (chip) Orange	TLOU1020(T14,MN)	B (MIX 18)	01
LD183	WA877100	LED (chip) Orange	TLOU1020(T14,MN)	C (MIX 18)	01
LD184	WA877100	LED (chip) Orange	TLOU1020(T14,MN)	D (MIX 18)	01
LD185	WA877100	LED (chip) Orange	TLOU1020(T14,MN)	E (MIX 18)	01
LD186	WA877100	LED (chip) Orange	TLOU1020(T14,MN)	F (MIX 18)	01
LD187	WC153200	LED (chip) Yellow	TLVY1020(T14,JK)	DCA 8 (MIX 18)	
LD188	WA877100	LED (chip) Orange	TLOU1020(T14,MN)	8 (MIX 19)	01
LD189	WA877100	LED (chip) Orange	TLOU1020(T14,MN)	7 (MIX 19)	01
LD190	WA877100	LED (chip) Orange	TLOU1020(T14,MN)	6 (MIX 19)	01
LD191	WA877100	LED (chip) Orange	TLOU1020(T14,MN)	5 (MIX 19)	01
LD192	WA877100	LED (chip) Orange	TLOU1020(T14,MN)	4 (MIX 19)	01
LD193	WA877100	LED (chip) Orange	TLOU1020(T14,MN)	3 (MIX 19)	01
LD194	WA877100	LED (chip) Orange	TLOU1020(T14,MN)	2 (MIX 19)	01
LD195	WA877100	LED (chip) Orange	TLOU1020(T14,MN)	1 (MIX 19)	01
LD196	WA877100	LED (chip) Orange	TLOU1020(T14,MN)	9 (MIX 19)	01
LD197	WA877100	LED (chip) Orange	TLOU1020(T14,MN)	A (MIX 19)	01
LD198	WA877100	LED (chip) Orange	TLOU1020(T14,MN)	B (MIX 19)	01
LD199	WA877100	LED (chip) Orange	TLOU1020(T14,MN)	C (MIX 19)	01
LD200	WA877100	LED (chip) Orange	TLOU1020(T14,MN)	D (MIX 19)	01
LD201	WA877100	LED (chip) Orange	TLOU1020(T14,MN)	E (MIX 19)	01
LD202	WA877100	LED (chip) Orange	TLOU1020(T14,MN)	F (MIX 19)	01
LD203	WC153200	LED (chip) Yellow	TLVY1020(T14,JK)	DCA 8 (MIX 19)	
LD204	WA877100	LED (chip) Orange	TLOU1020(T14,MN)	8 (MIX 20)	01

* New Parts

RANK: Japan only

REF NO.	PART NO.	DESCRIPTION	REMARKS	QTY	RANK
LD205	WA877100	LED (chip) Orange	TLOU1020(T14,MN)	7 (MIX 20)	01
LD206	WA877100	LED (chip) Orange	TLOU1020(T14,MN)	6 (MIX 20)	01
LD207	WA877100	LED (chip) Orange	TLOU1020(T14,MN)	5 (MIX 20)	01
LD208	WA877100	LED (chip) Orange	TLOU1020(T14,MN)	4 (MIX 20)	01
LD209	WA877100	LED (chip) Orange	TLOU1020(T14,MN)	3 (MIX 20)	01
LD210	WA877100	LED (chip) Orange	TLOU1020(T14,MN)	2 (MIX 20)	01
LD211	WA877100	LED (chip) Orange	TLOU1020(T14,MN)	1 (MIX 20)	01
LD212	WA877100	LED (chip) Orange	TLOU1020(T14,MN)	9 (MIX 20)	01
LD213	WA877100	LED (chip) Orange	TLOU1020(T14,MN)	A (MIX 20)	01
LD214	WA877100	LED (chip) Orange	TLOU1020(T14,MN)	B (MIX 20)	01
LD215	WA877100	LED (chip) Orange	TLOU1020(T14,MN)	C (MIX 20)	01
LD216	WA877100	LED (chip) Orange	TLOU1020(T14,MN)	D (MIX 20)	01
LD217	WA877100	LED (chip) Orange	TLOU1020(T14,MN)	E (MIX 20)	01
LD218	WA877100	LED (chip) Orange	TLOU1020(T14,MN)	F (MIX 20)	01
LD219	WC 153200	LED (chip) Yellow	TLVY1020(T14,JK)	DCA 8 (MIX 20)	
LD220	WA877100	LED (chip) Orange	TLOU1020(T14,MN)	8 (MIX 21)	01
LD221	WA877100	LED (chip) Orange	TLOU1020(T14,MN)	7 (MIX 21)	01
LD222	WA877100	LED (chip) Orange	TLOU1020(T14,MN)	6 (MIX 21)	01
LD223	WA877100	LED (chip) Orange	TLOU1020(T14,MN)	5 (MIX 21)	01
LD224	WA877100	LED (chip) Orange	TLOU1020(T14,MN)	4 (MIX 21)	01
LD226	WA877100	LED (chip) Orange	TLOU1020(T14,MN)	3 (MIX 21)	01
LD226	WA877100	LED (chip) Orange	TLOU1020(T14,MN)	2 (MIX 21)	01
LD227	WA877100	LED (chip) Orange	TLOU1020(T14,MN)	1 (MIX 21)	01
LD228	WA877100	LED (chip) Orange	TLOU1020(T14,MN)	9 (MIX 21)	01
LD229	WA877100	LED (chip) Orange	TLOU1020(T14,MN)	A (MIX 21)	01
LD230	WA877100	LED (chip) Orange	TLOU1020(T14,MN)	B (MIX 21)	01
LD231	WA877100	LED (chip) Orange	TLOU1020(T14,MN)	C (MIX 21)	01
LD232	WA877100	LED (chip) Orange	TLOU1020(T14,MN)	D (MIX 21)	01
LD233	WA877100	LED (chip) Orange	TLOU1020(T14,MN)	E (MIX 21)	01
LD234	WA877100	LED (chip) Orange	TLOU1020(T14,MN)	F (MIX 21)	01
LD235	WC 153200	LED (chip) Yellow	TLVY1020(T14,JK)	DCA 8 (MIX 21)	
LD236	WA877100	LED (chip) Orange	TLOU1020(T14,MN)	6 (MIX 22)	01
LD237	WA877100	LED (chip) Orange	TLOU1020(T14,MN)	7 (MIX 22)	01
LD238	WA877100	LED (chip) Orange	TLOU1020(T14,MN)	6 (MIX 22)	01
LD239	WA877100	LED (chip) Orange	TLOU1020(T14,MN)	5 (MIX 22)	01
LD240	WA877100	LED (chip) Orange	TLOU1020(T14,MN)	4 (MIX 22)	01
LD241	WA877100	LED (chip) Orange	TLOU1020(T14,MN)	3 (MIX 22)	01
LD242	WA877100	LED (chip) Orange	TLOU1020(T14,MN)	2 (MIX 22)	01
LD243	WA877100	LED (chip) Orange	TLOU1020(T14,MN)	1 (MIX 22)	01
LD244	WA877100	LED (chip) Orange	TLOU1020(T14,MN)	9 (MIX 22)	01
LD245	WA877100	LED (chip) Orange	TLOU1020(T14,MN)	A (MIX 22)	01
LD246	WA877100	LED (chip) Orange	TLOU1020(T14,MN)	B (MIX 22)	01
LD247	WA877100	LED (chip) Orange	TLOU1020(T14,MN)	C (MIX 22)	01
LD248	WA877100	LED (chip) Orange	TLOU1020(T14,MN)	D (MIX 22)	01
LD249	WA877100	LED (chip) Orange	TLOU1020(T14,MN)	E (MIX 22)	01
LD250	WA877100	LED (chip) Orange	TLOU1020(T14,MN)	F (MIX 22)	01
LD251	WC 153200	LED (chip) Yellow	TLVY1020(T14,JK)	DCA 8 (MIX 22)	
LD252	WA877100	LED (chip) Orange	TLOU1020(T14,MN)	6 (MIX 23)	01
LD253	WA877100	LED (chip) Orange	TLOU1020(T14,MN)	7 (MIX 23)	01
LD254	WA877100	LED (chip) Orange	TLOU1020(T14,MN)	6 (MIX 23)	01
LD255	WA877100	LED (chip) Orange	TLOU1020(T14,MN)	5 (MIX 23)	01
LD256	WA877100	LED (chip) Orange	TLOU1020(T14,MN)	4 (MIX 23)	01
LD257	WA877100	LED (chip) Orange	TLOU1020(T14,MN)	3 (MIX 23)	01
LD258	WA877100	LED (chip) Orange	TLOU1020(T14,MN)	2 (MIX 23)	01
LD259	WA877100	LED (chip) Orange	TLOU1020(T14,MN)	1 (MIX 23)	01
LD260	WA877100	LED (chip) Orange	TLOU1020(T14,MN)	9 (MIX 23)	01
LD261	WA877100	LED (chip) Orange	TLOU1020(T14,MN)	A (MIX 23)	01
LD262	WA877100	LED (chip) Orange	TLOU1020(T14,MN)	B (MIX 23)	01
LD263	WA877100	LED (chip) Orange	TLOU1020(T14,MN)	C (MIX 23)	01
LD264	WA877100	LED (chip) Orange	TLOU1020(T14,MN)	D (MIX 23)	01
LD265	WA877100	LED (chip) Orange	TLOU1020(T14,MN)	E (MIX 23)	01
LD266	WA877100	LED (chip) Orange	TLOU1020(T14,MN)	F (MIX 23)	01
LD267	WC 153200	LED (chip) Yellow	TLVY1020(T14,JK)	DCA 8 (MIX 23)	
LD268	WA877100	LED (chip) Orange	TLOU1020(T14,MN)	8 (MIX 24)	01
LD269	WA877100	LED (chip) Orange	TLOU1020(T14,MN)	7 (MIX 24)	01
LD270	WA877100	LED (chip) Orange	TLOU1020(T14,MN)	6 (MIX 24)	01
LD271	WA877100	LED (chip) Orange	TLOU1020(T14,MN)	5 (MIX 24)	01
LD272	WA877100	LED (chip) Orange	TLOU1020(T14,MN)	4 (MIX 24)	01
LD273	WA877100	LED (chip) Orange	TLOU1020(T14,MN)	3 (MIX 24)	01
LD274	WA877100	LED (chip) Orange	TLOU1020(T14,MN)	2 (MIX 24)	01

*: New Parts

RANK: Japan only

REF NO.	PART NO.	DESCRIPTION	REMARKS	QTY	RANK
LD275	WA877100	LED (chip) Orange	TLOU1020(T14,MN)	1 (MIX 24)	01
LD276	WA877100	LED (chip) Orange	TLOU1020(T14,MN)	9 (MIX 24)	01
LD277	WA877100	LED (chip) Orange	TLOU1020(T14,MN)	A (MIX 24)	01
LD278	WA877100	LED (chip) Orange	TLOU1020(T14,MN)	B (MIX 24)	01
LD279	WA877100	LED (chip) Orange	TLOU1020(T14,MN)	C (MIX 24)	01
LD280	WA877100	LED (chip) Orange	TLOU1020(T14,MN)	D (MIX 24)	01
LD281	WA877100	LED (chip) Orange	TLOU1020(T14,MN)	E (MIX 24)	01
LD282	WA877100	LED (chip) Orange	TLOU1020(T14,MN)	F (MIX 24)	01
LD283	WC153200	LED (chip) Yellow	TLVY1020(T14,JK)	DCA 8 (MIX 24)	
LD300	WA877100	LED (chip) Orange	TLOU1020(T14,MN)	ON (MIX 9)	01
LD301	WA877100	LED (chip) Orange	TLOU1020(T14,MN)	ON (MIX 10)	01
LD302	WA877100	LED (chip) Orange	TLOU1020(T14,MN)	ON (MIX 11)	01
LD303	WA877100	LED (chip) Orange	TLOU1020(T14,MN)	ON (MIX 12)	01
LD304	WA877100	LED (chip) Orange	TLOU1020(T14,MN)	ON (MIX 13)	01
LD305	WA877100	LED (chip) Orange	TLOU1020(T14,MN)	ON (MIX 14)	01
LD306	WA877100	LED (chip) Orange	TLOU1020(T14,MN)	ON (MIX 15)	01
LD307	WA877100	LED (chip) Orange	TLOU1020(T14,MN)	ON (MIX 16)	01
LD308	WA587900	LED (chip) Red	TLSU1020(T14,MN)	TO ST (MIX 9)	01
LD309	WA587900	LED (chip) Red	TLSU1020(T14,MN)	TO ST (MIX 10)	01
LD310	WA587900	LED (chip) Red	TLSU1020(T14,MN)	TO ST (MIX 11)	01
LD311	WA587900	LED (chip) Red	TLSU1020(T14,MN)	TO ST (MIX 12)	01
LD312	WA587900	LED (chip) Red	TLSU1020(T14,MN)	TO ST (MIX 13)	01
LD313	WA587900	LED (chip) Red	TLSU1020(T14,MN)	TO ST (MIX 14)	01
LD314	WA587900	LED (chip) Red	TLSU1020(T14,MN)	TO ST (MIX 15)	01
LD315	WA587900	LED (chip) Red	TLSU1020(T14,MN)	TO ST (MIX 16)	01
LD316	WA877100	LED (chip) Orange	TLOU1020(T14,MN)	TO MTRX (MIX 9)	01
LD317	WA877100	LED (chip) Orange	TLOU1020(T14,MN)	TO MTRX (MIX 10)	01
LD318	WA877100	LED (chip) Orange	TLOU1020(T14,MN)	TO MTRX (MIX 11)	01
LD319	WA877100	LED (chip) Orange	TLOU1020(T14,MN)	TO MTRX (MIX 12)	01
LD320	WA877100	LED (chip) Orange	TLOU1020(T14,MN)	TO MTRX (MIX 13)	01
LD321	WA877100	LED (chip) Orange	TLOU1020(T14,MN)	TO MTRX (MIX 14)	01
LD322	WA877100	LED (chip) Orange	TLOU1020(T14,MN)	TO MTRX (MIX 15)	01
LD323	WA877100	LED (chip) Orange	TLOU1020(T14,MN)	TO MTRX (MIX 16)	01
LD324	WA587900	LED (chip) Red	TLSU1020(T14,MN)	PAIR (MIX 9/MIX 10)	01
LD326	WA587900	LED (chip) Red	TLSU1020(T14,MN)	PAIR (MIX 11/MIX 12)	01
LD328	WA587900	LED (chip) Red	TLSU1020(T14,MN)	PAIR (MIX 13/MIX 14)	01
LD330	WA587900	LED (chip) Red	TLSU1020(T14,MN)	PAIR (MIX 15/MIX 16)	01
LD332	WC153200	LED (chip) Yellow	TLVY1020(T14,JK)	DCA 7 (MIX 9)	
LD333	WC153200	LED (chip) Yellow	TLVY1020(T14,JK)	DCA 7 (MIX 10)	
LD334	WC153200	LED (chip) Yellow	TLVY1020(T14,JK)	DCA 7 (MIX 11)	
LD335	WC153200	LED (chip) Yellow	TLVY1020(T14,JK)	DCA 7 (MIX 12)	
LD336	WC153200	LED (chip) Yellow	TLVY1020(T14,JK)	DCA 7 (MIX 13)	
LD337	WC153200	LED (chip) Yellow	TLVY1020(T14,JK)	DCA 7 (MIX 14)	
LD338	WC153200	LED (chip) Yellow	TLVY1020(T14,JK)	DCA 7 (MIX 15)	
LD339	WC153200	LED (chip) Yellow	TLVY1020(T14,JK)	DCA 7 (MIX 16)	
LD340	WA877100	LED (chip) Orange	TLOU1020(T14,MN)	CUE (MIX 9)	01
LD341	WA877100	LED (chip) Orange	TLOU1020(T14,MN)	CUE (MIX 10)	01
LD342	WA877100	LED (chip) Orange	TLOU1020(T14,MN)	CUE (MIX 11)	01
LD343	WA877100	LED (chip) Orange	TLOU1020(T14,MN)	CUE (MIX 12)	01
LD344	WA877100	LED (chip) Orange	TLOU1020(T14,MN)	CUE (MIX 13)	01
LD345	WA877100	LED (chip) Orange	TLOU1020(T14,MN)	CUE (MIX 14)	01
LD346	WA877100	LED (chip) Orange	TLOU1020(T14,MN)	CUE (MIX 15)	01
LD347	WA877100	LED (chip) Orange	TLOU1020(T14,MN)	CUE (MIX 16)	01
LD348	WA588100	LED (chip) Green	TLGU1020(T14,KL)	SEL (MIX 9)	01
LD349	WA588100	LED (chip) Green	TLGU1020(T14,KL)	SEL (MIX 10)	01
LD350	WA588100	LED (chip) Green	TLGU1020(T14,KL)	SEL (MIX 11)	01
LD351	WA588100	LED (chip) Green	TLGU1020(T14,KL)	SEL (MIX 12)	01
LD352	WA588100	LED (chip) Green	TLGU1020(T14,KL)	SEL (MIX 13)	01
LD353	WA588100	LED (chip) Green	TLGU1020(T14,KL)	SEL (MIX 14)	01
LD354	WA588100	LED (chip) Green	TLGU1020(T14,KL)	SEL (MIX 15)	01
LD355	WA588100	LED (chip) Green	TLGU1020(T14,KL)	SEL (MIX 16)	01
LD356	WA877100	LED (chip) Orange	TLOU1020(T14,MN)	8 (MIX 9)	01
LD357	WA877100	LED (chip) Orange	TLOU1020(T14,MN)	7 (MIX 9)	01
LD358	WA877100	LED (chip) Orange	TLOU1020(T14,MN)	6 (MIX 9)	01
LD359	WA877100	LED (chip) Orange	TLOU1020(T14,MN)	5 (MIX 9)	01
LD360	WA877100	LED (chip) Orange	TLOU1020(T14,MN)	4 (MIX 9)	01
LD361	WA877100	LED (chip) Orange	TLOU1020(T14,MN)	3 (MIX 9)	01
LD362	WA877100	LED (chip) Orange	TLOU1020(T14,MN)	2 (MIX 9)	01
LD363	WA877100	LED (chip) Orange	TLOU1020(T14,MN)	1 (MIX 9)	01
LD364	WA877100	LED (chip) Orange	TLOU1020(T14,MN)	9 (MIX 9)	01

* New Parts

RANK: Japan only

REF NO.	PART NO.	DESCRIPTION	REMARKS	QTY	RANK
LD365	WA877100	LED (chip) Orange	TLOU1020(T14,MN)	A (MIX 9)	01
LD366	WA877100	LED (chip) Orange	TLOU1020(T14,MN)	B (MIX 9)	01
LD367	WA877100	LED (chip) Orange	TLOU1020(T14,MN)	C (MIX 9)	01
LD368	WA877100	LED (chip) Orange	TLOU1020(T14,MN)	D (MIX 9)	01
LD369	WA877100	LED (chip) Orange	TLOU1020(T14,MN)	E (MIX 9)	01
LD370	WA877100	LED (chip) Orange	TLOU1020(T14,MN)	F (MIX 9)	01
LD371	WC 153200	LED (chip) Yellow	TLYV1020(T14,JK)	DCA 8 (MIX 9)	
LD372	WA877100	LED (chip) Orange	TLOU1020(T14,MN)	8 (MIX 10)	01
LD373	WA877100	LED (chip) Orange	TLOU1020(T14,MN)	7 (MIX 10)	01
LD374	WA877100	LED (chip) Orange	TLOU1020(T14,MN)	6 (MIX 10)	01
LD375	WA877100	LED (chip) Orange	TLOU1020(T14,MN)	5 (MIX 10)	01
LD376	WA877100	LED (chip) Orange	TLOU1020(T14,MN)	4 (MIX 10)	01
LD377	WA877100	LED (chip) Orange	TLOU1020(T14,MN)	3 (MIX 10)	01
LD378	WA877100	LED (chip) Orange	TLOU1020(T14,MN)	2 (MIX 10)	01
LD379	WA877100	LED (chip) Orange	TLOU1020(T14,MN)	1 (MIX 10)	01
LD380	WA877100	LED (chip) Orange	TLOU1020(T14,MN)	9 (MIX 10)	01
LD381	WA877100	LED (chip) Orange	TLOU1020(T14,MN)	A (MIX 10)	01
LD382	WA877100	LED (chip) Orange	TLOU1020(T14,MN)	B (MIX 10)	01
LD383	WA877100	LED (chip) Orange	TLOU1020(T14,MN)	C (MIX 10)	01
LD384	WA877100	LED (chip) Orange	TLOU1020(T14,MN)	D (MIX 10)	01
LD385	WA877100	LED (chip) Orange	TLOU1020(T14,MN)	E (MIX 10)	01
LD386	WA877100	LED (chip) Orange	TLOU1020(T14,MN)	F (MIX 10)	01
LD387	WC 153200	LED (chip) Yellow	TLYV1020(T14,JK)	DCA 8 (MIX 10)	
LD388	WA877100	LED (chip) Orange	TLOU1020(T14,MN)	8 (MIX 11)	01
LD389	WA877100	LED (chip) Orange	TLOU1020(T14,MN)	7 (MIX 11)	01
LD390	WA877100	LED (chip) Orange	TLOU1020(T14,MN)	6 (MIX 11)	01
LD391	WA877100	LED (chip) Orange	TLOU1020(T14,MN)	5 (MIX 11)	01
LD392	WA877100	LED (chip) Orange	TLOU1020(T14,MN)	4 (MIX 11)	01
LD393	WA877100	LED (chip) Orange	TLOU1020(T14,MN)	3 (MIX 11)	01
LD394	WA877100	LED (chip) Orange	TLOU1020(T14,MN)	2 (MIX 11)	01
LD395	WA877100	LED (chip) Orange	TLOU1020(T14,MN)	1 (MIX 11)	01
LD396	WA877100	LED (chip) Orange	TLOU1020(T14,MN)	9 (MIX 11)	01
LD397	WA877100	LED (chip) Orange	TLOU1020(T14,MN)	A (MIX 11)	01
LD398	WA877100	LED (chip) Orange	TLOU1020(T14,MN)	B (MIX 11)	01
LD399	WA877100	LED (chip) Orange	TLOU1020(T14,MN)	C (MIX 11)	01
LD400	WA877100	LED (chip) Orange	TLOU1020(T14,MN)	D (MIX 11)	01
LD401	WA877100	LED (chip) Orange	TLOU1020(T14,MN)	E (MIX 11)	01
LD402	WA877100	LED (chip) Orange	TLOU1020(T14,MN)	F (MIX 11)	01
LD403	WC 153200	LED (chip) Yellow	TLYV1020(T14,JK)	DCA 8 (MIX 11)	
LD404	WA877100	LED (chip) Orange	TLOU1020(T14,MN)	8 (MIX 12)	01
LD405	WA877100	LED (chip) Orange	TLOU1020(T14,MN)	7 (MIX 12)	01
LD406	WA877100	LED (chip) Orange	TLOU1020(T14,MN)	6 (MIX 12)	01
LD407	WA877100	LED (chip) Orange	TLOU1020(T14,MN)	5 (MIX 12)	01
LD408	WA877100	LED (chip) Orange	TLOU1020(T14,MN)	4 (MIX 12)	01
LD409	WA877100	LED (chip) Orange	TLOU1020(T14,MN)	3 (MIX 12)	01
LD410	WA877100	LED (chip) Orange	TLOU1020(T14,MN)	2 (MIX 12)	01
LD411	WA877100	LED (chip) Orange	TLOU1020(T14,MN)	1 (MIX 12)	01
LD412	WA877100	LED (chip) Orange	TLOU1020(T14,MN)	9 (MIX 12)	01
LD413	WA877100	LED (chip) Orange	TLOU1020(T14,MN)	A (MIX 12)	01
LD414	WA877100	LED (chip) Orange	TLOU1020(T14,MN)	B (MIX 12)	01
LD415	WA877100	LED (chip) Orange	TLOU1020(T14,MN)	C (MIX 12)	01
LD416	WA877100	LED (chip) Orange	TLOU1020(T14,MN)	D (MIX 12)	01
LD417	WA877100	LED (chip) Orange	TLOU1020(T14,MN)	E (MIX 12)	01
LD418	WA877100	LED (chip) Orange	TLOU1020(T14,MN)	F (MIX 12)	01
LD419	WC 153200	LED (chip) Yellow	TLYV1020(T14,JK)	DCA 8 (MIX 12)	
LD420	WA877100	LED (chip) Orange	TLOU1020(T14,MN)	8 (MIX 13)	01
LD421	WA877100	LED (chip) Orange	TLOU1020(T14,MN)	7 (MIX 13)	01
LD422	WA877100	LED (chip) Orange	TLOU1020(T14,MN)	6 (MIX 13)	01
LD423	WA877100	LED (chip) Orange	TLOU1020(T14,MN)	5 (MIX 13)	01
LD424	WA877100	LED (chip) Orange	TLOU1020(T14,MN)	4 (MIX 13)	01
LD425	WA877100	LED (chip) Orange	TLOU1020(T14,MN)	3 (MIX 13)	01
LD426	WA877100	LED (chip) Orange	TLOU1020(T14,MN)	2 (MIX 13)	01
LD427	WA877100	LED (chip) Orange	TLOU1020(T14,MN)	1 (MIX 13)	01
LD428	WA877100	LED (chip) Orange	TLOU1020(T14,MN)	9 (MIX 13)	01
LD429	WA877100	LED (chip) Orange	TLOU1020(T14,MN)	A (MIX 13)	01
LD430	WA877100	LED (chip) Orange	TLOU1020(T14,MN)	B (MIX 13)	01
LD431	WA877100	LED (chip) Orange	TLOU1020(T14,MN)	C (MIX 13)	01
LD432	WA877100	LED (chip) Orange	TLOU1020(T14,MN)	D (MIX 13)	01
LD433	WA877100	LED (chip) Orange	TLOU1020(T14,MN)	E (MIX 13)	01
LD434	WA877100	LED (chip) Orange	TLOU1020(T14,MN)	F (MIX 13)	01

*: New Parts

RANK: Japan only

REF NO.	PART NO.	DESCRIPTION	REMARKS	QTY	RANK
LD435	WC153200	LED (chip) Yellow	TLV1020(T14,JK)	DCA 8 (MIX 13)	
LD436	WA877100	LED (chip) Orange	TLOU1020(T14,MN)	8 (MIX 14)	01
LD437	WA877100	LED (chip) Orange	TLOU1020(T14,MN)	7 (MIX 14)	01
LD438	WA877100	LED (chip) Orange	TLOU1020(T14,MN)	6 (MIX 14)	01
LD439	WA877100	LED (chip) Orange	TLOU1020(T14,MN)	5 (MIX 14)	01
LD440	WA877100	LED (chip) Orange	TLOU1020(T14,MN)	4 (MIX 14)	01
LD441	WA877100	LED (chip) Orange	TLOU1020(T14,MN)	3 (MIX 14)	01
LD442	WA877100	LED (chip) Orange	TLOU1020(T14,MN)	2 (MIX 14)	01
LD443	WA877100	LED (chip) Orange	TLOU1020(T14,MN)	1 (MIX 14)	01
LD444	WA877100	LED (chip) Orange	TLOU1020(T14,MN)	9 (MIX 14)	01
LD445	WA877100	LED (chip) Orange	TLOU1020(T14,MN)	A (MIX 14)	01
LD446	WA877100	LED (chip) Orange	TLOU1020(T14,MN)	B (MIX 14)	01
LD447	WA877100	LED (chip) Orange	TLOU1020(T14,MN)	C (MIX 14)	01
LD448	WA877100	LED (chip) Orange	TLOU1020(T14,MN)	D (MIX 14)	01
LD449	WA877100	LED (chip) Orange	TLOU1020(T14,MN)	E (MIX 14)	01
LD450	WA877100	LED (chip) Orange	TLOU1020(T14,MN)	F (MIX 14)	01
LD451	WC153200	LED (chip) Yellow	TLV1020(T14,JK)	DCA 8 (MIX 14)	
LD452	WA877100	LED (chip) Orange	TLOU1020(T14,MN)	8 (MIX 15)	01
LD453	WA877100	LED (chip) Orange	TLOU1020(T14,MN)	7 (MIX 15)	01
LD454	WA877100	LED (chip) Orange	TLOU1020(T14,MN)	6 (MIX 15)	01
LD455	WA877100	LED (chip) Orange	TLOU1020(T14,MN)	5 (MIX 15)	01
LD456	WA877100	LED (chip) Orange	TLOU1020(T14,MN)	4 (MIX 15)	01
LD457	WA877100	LED (chip) Orange	TLOU1020(T14,MN)	3 (MIX 15)	01
LD458	WA877100	LED (chip) Orange	TLOU1020(T14,MN)	2 (MIX 15)	01
LD459	WA877100	LED (chip) Orange	TLOU1020(T14,MN)	1 (MIX 15)	01
LD460	WA877100	LED (chip) Orange	TLOU1020(T14,MN)	9 (MIX 15)	01
LD461	WA877100	LED (chip) Orange	TLOU1020(T14,MN)	A (MIX 15)	01
LD462	WA877100	LED (chip) Orange	TLOU1020(T14,MN)	B (MIX 15)	01
LD463	WA877100	LED (chip) Orange	TLOU1020(T14,MN)	C (MIX 15)	01
LD464	WA877100	LED (chip) Orange	TLOU1020(T14,MN)	D (MIX 15)	01
LD465	WA877100	LED (chip) Orange	TLOU1020(T14,MN)	E (MIX 15)	01
LD466	WA877100	LED (chip) Orange	TLOU1020(T14,MN)	F (MIX 15)	01
LD467	WC153200	LED (chip) Yellow	TLV1020(T14,JK)	DCA 8 (MIX 15)	
LD468	WA877100	LED (chip) Orange	TLOU1020(T14,MN)	8 (MIX 16)	01
LD469	WA877100	LED (chip) Orange	TLOU1020(T14,MN)	7 (MIX 16)	01
LD470	WA877100	LED (chip) Orange	TLOU1020(T14,MN)	6 (MIX 16)	01
LD471	WA877100	LED (chip) Orange	TLOU1020(T14,MN)	5 (MIX 16)	01
LD472	WA877100	LED (chip) Orange	TLOU1020(T14,MN)	4 (MIX 16)	01
LD473	WA877100	LED (chip) Orange	TLOU1020(T14,MN)	3 (MIX 16)	01
LD474	WA877100	LED (chip) Orange	TLOU1020(T14,MN)	2 (MIX 16)	01
LD475	WA877100	LED (chip) Orange	TLOU1020(T14,MN)	1 (MIX 16)	01
LD476	WA877100	LED (chip) Orange	TLOU1020(T14,MN)	9 (MIX 16)	01
LD477	WA877100	LED (chip) Orange	TLOU1020(T14,MN)	A (MIX 16)	01
LD478	WA877100	LED (chip) Orange	TLOU1020(T14,MN)	B (MIX 16)	01
LD479	WA877100	LED (chip) Orange	TLOU1020(T14,MN)	C (MIX 16)	01
LD480	WA877100	LED (chip) Orange	TLOU1020(T14,MN)	D (MIX 16)	01
LD481	WA877100	LED (chip) Orange	TLOU1020(T14,MN)	E (MIX 16)	01
LD482	WA877100	LED (chip) Orange	TLOU1020(T14,MN)	F (MIX 16)	01
LD483	WC153200	LED (chip) Yellow	TLV1020(T14,JK)	DCA 8 (MIX 16)	
LD500	WA877100	LED (chip) Orange	TLOU1020(T14,MN)	ON (MIX 1)	01
LD501	WA877100	LED (chip) Orange	TLOU1020(T14,MN)	ON (MIX 2)	01
LD502	WA877100	LED (chip) Orange	TLOU1020(T14,MN)	ON (MIX 3)	01
LD503	WA877100	LED (chip) Orange	TLOU1020(T14,MN)	ON (MIX 4)	01
LD504	WA877100	LED (chip) Orange	TLOU1020(T14,MN)	ON (MIX 5)	01
LD505	WA877100	LED (chip) Orange	TLOU1020(T14,MN)	ON (MIX 6)	01
LD506	WA877100	LED (chip) Orange	TLOU1020(T14,MN)	ON (MIX 7)	01
LD507	WA877100	LED (chip) Orange	TLOU1020(T14,MN)	ON (MIX 8)	01
LD508	WA587900	LED (chip) Red	TLSU1020(T14,MN)	TO ST (MIX 1)	01
LD509	WA587900	LED (chip) Red	TLSU1020(T14,MN)	TO ST (MIX 2)	01
LD510	WA587900	LED (chip) Red	TLSU1020(T14,MN)	TO ST (MIX 3)	01
LD511	WA587900	LED (chip) Red	TLSU1020(T14,MN)	TO ST (MIX 4)	01
LD512	WA587900	LED (chip) Red	TLSU1020(T14,MN)	TO ST (MIX 5)	01
LD513	WA587900	LED (chip) Red	TLSU1020(T14,MN)	TO ST (MIX 6)	01
LD514	WA587900	LED (chip) Red	TLSU1020(T14,MN)	TO ST (MIX 7)	01
LD515	WA587900	LED (chip) Red	TLSU1020(T14,MN)	TO ST (MIX 8)	01
LD516	WA877100	LED (chip) Orange	TLOU1020(T14,MN)	TO MTRX (MIX 1)	01
LD517	WA877100	LED (chip) Orange	TLOU1020(T14,MN)	TO MTRX (MIX 2)	01
LD518	WA877100	LED (chip) Orange	TLOU1020(T14,MN)	TO MTRX (MIX 3)	01
LD519	WA877100	LED (chip) Orange	TLOU1020(T14,MN)	TO MTRX (MIX 4)	01
LD520	WA877100	LED (chip) Orange	TLOU1020(T14,MN)	TO MTRX (MIX 5)	01

* New Parts

RANK: Japan only

REF NO.	PART NO.	DESCRIPTION	REMARKS	QTY	RANK
LD595	WA877100	LED (chip) Orange	TLOU1020(T14,MN)	1 (MIX 3)	01
LD596	WA877100	LED (chip) Orange	TLOU1020(T14,MN)	9 (MIX 3)	01
LD597	WA877100	LED (chip) Orange	TLOU1020(T14,MN)	A (MIX 3)	01
LD598	WA877100	LED (chip) Orange	TLOU1020(T14,MN)	B (MIX 3)	01
LD599	WA877100	LED (chip) Orange	TLOU1020(T14,MN)	C (MIX 3)	01
LD600	WA877100	LED (chip) Orange	TLOU1020(T14,MN)	D (MIX 3)	01
LD601	WA877100	LED (chip) Orange	TLOU1020(T14,MN)	E (MIX 3)	01
LD602	WA877100	LED (chip) Orange	TLOU1020(T14,MN)	F (MIX 3)	01
LD603	WC153200	LED (chip) Yellow	TLYV1020(T14,JK)	DCA 8 (MIX 3)	
LD604	WA877100	LED (chip) Orange	TLOU1020(T14,MN)	8 (MIX 4)	01
LD605	WA877100	LED (chip) Orange	TLOU1020(T14,MN)	7 (MIX 4)	01
LD606	WA877100	LED (chip) Orange	TLOU1020(T14,MN)	6 (MIX 4)	01
LD607	WA877100	LED (chip) Orange	TLOU1020(T14,MN)	5 (MIX 4)	01
LD608	WA877100	LED (chip) Orange	TLOU1020(T14,MN)	4 (MIX 4)	01
LD609	WA877100	LED (chip) Orange	TLOU1020(T14,MN)	3 (MIX 4)	01
LD610	WA877100	LED (chip) Orange	TLOU1020(T14,MN)	2 (MIX 4)	01
LD611	WA877100	LED (chip) Orange	TLOU1020(T14,MN)	1 (MIX 4)	01
LD612	WA877100	LED (chip) Orange	TLOU1020(T14,MN)	9 (MIX 4)	01
LD613	WA877100	LED (chip) Orange	TLOU1020(T14,MN)	A (MIX 4)	01
LD614	WA877100	LED (chip) Orange	TLOU1020(T14,MN)	B (MIX 4)	01
LD615	WA877100	LED (chip) Orange	TLOU1020(T14,MN)	C (MIX 4)	01
LD616	WA877100	LED (chip) Orange	TLOU1020(T14,MN)	D (MIX 4)	01
LD617	WA877100	LED (chip) Orange	TLOU1020(T14,MN)	E (MIX 4)	01
LD618	WA877100	LED (chip) Orange	TLOU1020(T14,MN)	F (MIX 4)	01
LD619	WC153200	LED (chip) Yellow	TLYV1020(T14,JK)	DCA 8 (MIX 4)	
LD620	WA877100	LED (chip) Orange	TLOU1020(T14,MN)	8 (MIX 5)	01
LD621	WA877100	LED (chip) Orange	TLOU1020(T14,MN)	7 (MIX 5)	01
LD622	WA877100	LED (chip) Orange	TLOU1020(T14,MN)	6 (MIX 5)	01
LD623	WA877100	LED (chip) Orange	TLOU1020(T14,MN)	5 (MIX 5)	01
LD624	WA877100	LED (chip) Orange	TLOU1020(T14,MN)	4 (MIX 5)	01
LD625	WA877100	LED (chip) Orange	TLOU1020(T14,MN)	3 (MIX 5)	01
LD626	WA877100	LED (chip) Orange	TLOU1020(T14,MN)	2 (MIX 5)	01
LD627	WA877100	LED (chip) Orange	TLOU1020(T14,MN)	1 (MIX 5)	01
LD628	WA877100	LED (chip) Orange	TLOU1020(T14,MN)	9 (MIX 5)	01
LD629	WA877100	LED (chip) Orange	TLOU1020(T14,MN)	A (MIX 5)	01
LD630	WA877100	LED (chip) Orange	TLOU1020(T14,MN)	B (MIX 5)	01
LD631	WA877100	LED (chip) Orange	TLOU1020(T14,MN)	C (MIX 5)	01
LD632	WA877100	LED (chip) Orange	TLOU1020(T14,MN)	D (MIX 5)	01
LD633	WA877100	LED (chip) Orange	TLOU1020(T14,MN)	E (MIX 5)	01
LD634	WA877100	LED (chip) Orange	TLOU1020(T14,MN)	F (MIX 5)	01
LD635	WC153200	LED (chip) Yellow	TLYV1020(T14,JK)	DCA 8 (MIX 5)	
LD636	WA877100	LED (chip) Orange	TLOU1020(T14,MN)	8 (MIX 6)	01
LD637	WA877100	LED (chip) Orange	TLOU1020(T14,MN)	7 (MIX 6)	01
LD638	WA877100	LED (chip) Orange	TLOU1020(T14,MN)	6 (MIX 6)	01
LD639	WA877100	LED (chip) Orange	TLOU1020(T14,MN)	5 (MIX 6)	01
LD640	WA877100	LED (chip) Orange	TLOU1020(T14,MN)	4 (MIX 6)	01
LD641	WA877100	LED (chip) Orange	TLOU1020(T14,MN)	3 (MIX 6)	01
LD642	WA877100	LED (chip) Orange	TLOU1020(T14,MN)	2 (MIX 6)	01
LD643	WA877100	LED (chip) Orange	TLOU1020(T14,MN)	1 (MIX 6)	01
LD644	WA877100	LED (chip) Orange	TLOU1020(T14,MN)	9 (MIX 6)	01
LD645	WA877100	LED (chip) Orange	TLOU1020(T14,MN)	A (MIX 6)	01
LD646	WA877100	LED (chip) Orange	TLOU1020(T14,MN)	B (MIX 6)	01
LD647	WA877100	LED (chip) Orange	TLOU1020(T14,MN)	C (MIX 6)	01
LD648	WA877100	LED (chip) Orange	TLOU1020(T14,MN)	D (MIX 6)	01
LD649	WA877100	LED (chip) Orange	TLOU1020(T14,MN)	E (MIX 6)	01
LD650	WA877100	LED (chip) Orange	TLOU1020(T14,MN)	F (MIX 6)	01
LD651	WC153200	LED (chip) Yellow	TLYV1020(T14,JK)	DCA 8 (MIX 6)	
LD652	WA877100	LED (chip) Orange	TLOU1020(T14,MN)	8 (MIX 7)	01
LD653	WA877100	LED (chip) Orange	TLOU1020(T14,MN)	7 (MIX 7)	01
LD654	WA877100	LED (chip) Orange	TLOU1020(T14,MN)	6 (MIX 7)	01
LD655	WA877100	LED (chip) Orange	TLOU1020(T14,MN)	5 (MIX 7)	01
LD656	WA877100	LED (chip) Orange	TLOU1020(T14,MN)	4 (MIX 7)	01
LD657	WA877100	LED (chip) Orange	TLOU1020(T14,MN)	3 (MIX 7)	01
LD658	WA877100	LED (chip) Orange	TLOU1020(T14,MN)	2 (MIX 7)	01
LD659	WA877100	LED (chip) Orange	TLOU1020(T14,MN)	1 (MIX 7)	01
LD660	WA877100	LED (chip) Orange	TLOU1020(T14,MN)	9 (MIX 7)	01
LD661	WA877100	LED (chip) Orange	TLOU1020(T14,MN)	A (MIX 7)	01
LD662	WA877100	LED (chip) Orange	TLOU1020(T14,MN)	B (MIX 7)	01
LD663	WA877100	LED (chip) Orange	TLOU1020(T14,MN)	C (MIX 7)	01
LD664	WA877100	LED (chip) Orange	TLOU1020(T14,MN)	D (MIX 7)	01

* New Parts

RANK: Japan only

REF NO.	PART NO.	DESCRIPTION	REMARKS	QTY	RANK
LD665	WA877100	LED (chip) Orange	TLOU1020(T14,MN)	E (MIX 7)	01
LD666	WA877100	LED (chip) Orange	TLOU1020(T14,MN)	F (MIX 7)	01
LD667	WC153200	LED (chip) Yellow	TLVY1020(T14,JK)	DCA 8 (MIX 7)	
LD668	WA877100	LED (chip) Orange	TLOU1020(T14,MN)	8 (MIX 8)	01
LD669	WA877100	LED (chip) Orange	TLOU1020(T14,MN)	7 (MIX 8)	01
LD670	WA877100	LED (chip) Orange	TLOU1020(T14,MN)	6 (MIX 8)	01
LD671	WA877100	LED (chip) Orange	TLOU1020(T14,MN)	5 (MIX 8)	01
LD672	WA877100	LED (chip) Orange	TLOU1020(T14,MN)	4 (MIX 8)	01
LD673	WA877100	LED (chip) Orange	TLOU1020(T14,MN)	3 (MIX 8)	01
LD674	WA877100	LED (chip) Orange	TLOU1020(T14,MN)	2 (MIX 8)	01
LD675	WA877100	LED (chip) Orange	TLOU1020(T14,MN)	1 (MIX 8)	01
LD676	WA877100	LED (chip) Orange	TLOU1020(T14,MN)	9 (MIX 8)	01
LD677	WA877100	LED (chip) Orange	TLOU1020(T14,MN)	A (MIX 8)	01
LD678	WA877100	LED (chip) Orange	TLOU1020(T14,MN)	B (MIX 8)	01
LD679	WA877100	LED (chip) Orange	TLOU1020(T14,MN)	C (MIX 8)	01
LD680	WA877100	LED (chip) Orange	TLOU1020(T14,MN)	D (MIX 8)	01
LD681	WA877100	LED (chip) Orange	TLOU1020(T14,MN)	E (MIX 8)	01
LD682	WA877100	LED (chip) Orange	TLOU1020(T14,MN)	F (MIX 8)	01
LD683	WC153200	LED (chip) Yellow	TLVY1020(T14,JK)	DCA 8 (MIX 8)	
LD700	WA877100	LED (chip) Orange	TLOU1020(T14,MN)	1 (MIX SEND SELECT)	01
LD701	WA877100	LED (chip) Orange	TLOU1020(T14,MN)	9 (MIX SEND SELECT)	01
LD702	WA877100	LED (chip) Orange	TLOU1020(T14,MN)	17 (MIX SEND SELECT)	01
LD703	WA587900	LED (chip) Red	TLSU1020(T14,MN)	FLIP (FADER)	01
LD704	WA877100	LED (chip) Orange	TLOU1020(T14,MN)	2 (MIX SEND SELECT)	01
LD705	WA877100	LED (chip) Orange	TLOU1020(T14,MN)	10 (MIX SEND SELECT)	01
LD706	WA877100	LED (chip) Orange	TLOU1020(T14,MN)	18 (MIX SEND SELECT)	01
LD708	WA877100	LED (chip) Orange	TLOU1020(T14,MN)	3 (MIX SEND SELECT)	01
LD709	WA877100	LED (chip) Orange	TLOU1020(T14,MN)	11 (MIX SEND SELECT)	01
LD710	WA877100	LED (chip) Orange	TLOU1020(T14,MN)	19 (MIX SEND SELECT)	01
LD712	WA877100	LED (chip) Orange	TLOU1020(T14,MN)	4 (MIX SEND SELECT)	01
LD713	WA877100	LED (chip) Orange	TLOU1020(T14,MN)	12 (MIX SEND SELECT)	01
LD714	WA877100	LED (chip) Orange	TLOU1020(T14,MN)	20 (MIX SEND SELECT)	01
LD716	WA877100	LED (chip) Orange	TLOU1020(T14,MN)	5 (MIX SEND SELECT)	01
LD717	WA877100	LED (chip) Orange	TLOU1020(T14,MN)	13 (MIX SEND SELECT)	01
LD718	WA877100	LED (chip) Orange	TLOU1020(T14,MN)	21 (MIX SEND SELECT)	01
LD720	WA877100	LED (chip) Orange	TLOU1020(T14,MN)	6 (MIX SEND SELECT)	01
LD721	WA877100	LED (chip) Orange	TLOU1020(T14,MN)	14 (MIX SEND SELECT)	01
LD722	WA877100	LED (chip) Orange	TLOU1020(T14,MN)	22 (MIX SEND SELECT)	01
LD724	WA877100	LED (chip) Orange	TLOU1020(T14,MN)	7 (MIX SEND SELECT)	01
LD725	WA877100	LED (chip) Orange	TLOU1020(T14,MN)	15 (MIX SEND SELECT)	01
LD726	WA877100	LED (chip) Orange	TLOU1020(T14,MN)	23 (MIX SEND SELECT)	01
LD727	WC153200	LED (chip) Yellow	TLVY1020(T14,JK)	GAIN/ATT (ENCODER MODE)	
LD728	WA877100	LED (chip) Orange	TLOU1020(T14,MN)	8 (MIX SEND SELECT)	01
LD729	WA877100	LED (chip) Orange	TLOU1020(T14,MN)	16 (MIX SEND SELECT)	01
LD730	WA877100	LED (chip) Orange	TLOU1020(T14,MN)	24 (MIX SEND SELECT)	01
LD731	WA877100	LED (chip) Orange	TLOU1020(T14,MN)	PAN (ENCODER MODE)	01
LD732	V7718600	LED Display	LB-502DD	MIX SEND SELECT	06
LD733	WA587900	LED (chip) Red	TLSU1020(T14,MN)	ALT LAYER (ENCODER MODE)	01
LD800	WA877100	LED (chip) Orange	TLOU1020(T14,MN)	ON (MATRIX 1)	01
LD801	WA877100	LED (chip) Orange	TLOU1020(T14,MN)	ON (MATRIX 2)	01
LD802	WA877100	LED (chip) Orange	TLOU1020(T14,MN)	ON (MATRIX 3)	01
LD803	WA877100	LED (chip) Orange	TLOU1020(T14,MN)	ON (MATRIX 4)	01
LD804	WA877100	LED (chip) Orange	TLOU1020(T14,MN)	ON (MATRIX 5)	01
LD805	WA877100	LED (chip) Orange	TLOU1020(T14,MN)	ON (MATRIX 6)	01
LD806	WA877100	LED (chip) Orange	TLOU1020(T14,MN)	ON (MATRIX 7)	01
LD807	WA877100	LED (chip) Orange	TLOU1020(T14,MN)	ON (MATRIX 8)	01
LD808	WA587900	LED (chip) Red	TLSU1020(T14,MN)	PAIR (MATRIX 1/MATRIX 2)	01
LD810	WA587900	LED (chip) Red	TLSU1020(T14,MN)	PAIR (MATRIX 3/MATRIX 4)	01
LD812	WA587900	LED (chip) Red	TLSU1020(T14,MN)	PAIR (MATRIX 5/MATRIX 6)	01
LD814	WA587900	LED (chip) Red	TLSU1020(T14,MN)	PAIR (MATRIX 7/MATRIX 8)	01
LD816	WC153200	LED (chip) Yellow	TLVY1020(T14,JK)	DCA 7 (MATRIX 1)	
LD817	WC153200	LED (chip) Yellow	TLVY1020(T14,JK)	DCA 7 (MATRIX 2)	
LD818	WC153200	LED (chip) Yellow	TLVY1020(T14,JK)	DCA 7 (MATRIX 3)	
LD819	WC153200	LED (chip) Yellow	TLVY1020(T14,JK)	DCA 7 (MATRIX 4)	
LD820	WC153200	LED (chip) Yellow	TLVY1020(T14,JK)	DCA 7 (MATRIX 5)	
LD821	WC153200	LED (chip) Yellow	TLVY1020(T14,JK)	DCA 7 (MATRIX 6)	
LD822	WC153200	LED (chip) Yellow	TLVY1020(T14,JK)	DCA 7 (MATRIX 7)	
LD823	WC153200	LED (chip) Yellow	TLVY1020(T14,JK)	DCA 7 (MATRIX 8)	
LD824	WA877100	LED (chip) Orange	TLOU1020(T14,MN)	CUE (MATRIX 1)	01
LD825	WA877100	LED (chip) Orange	TLOU1020(T14,MN)	CUE (MATRIX 2)	01

*: New Parts

RANK: Japan only

REF NO.	PART NO.	DESCRIPTION	REMARKS	QTY	NAME	
LD826	WA877100	LED (chip) Orange	TLOU1020(T14,MN)		CUE (MATRIX 3)	01
LD827	WA877100	LED (chip) Orange	TLOU1020(T14,MN)		CUE (MATRIX 4)	01
LD828	WA877100	LED (chip) Orange	TLOU1020(T14,MN)		CUE (MATRIX 5)	01
LD829	WA877100	LED (chip) Orange	TLOU1020(T14,MN)		CUE (MATRIX 6)	01
LD830	WA877100	LED (chip) Orange	TLOU1020(T14,MN)		CUE (MATRIX 7)	01
LD831	WA877100	LED (chip) Orange	TLOU1020(T14,MN)		CUE (MATRIX 8)	01
LD832	WA588100	LED (chip) Green	TLGU1020(T14,KL)		SEL (MATRIX 1)	01
LD833	WA588100	LED (chip) Green	TLGU1020(T14,KL)		SEL (MATRIX 2)	01
LD834	WA588100	LED (chip) Green	TLGU1020(T14,KL)		SEL (MATRIX 3)	01
LD835	WA588100	LED (chip) Green	TLGU1020(T14,KL)		SEL (MATRIX 4)	01
LD836	WA588100	LED (chip) Green	TLGU1020(T14,KL)		SEL (MATRIX 5)	01
LD837	WA588100	LED (chip) Green	TLGU1020(T14,KL)		SEL (MATRIX 6)	01
LD838	WA588100	LED (chip) Green	TLGU1020(T14,KL)		SEL (MATRIX 7)	01
LD839	WA588100	LED (chip) Green	TLGU1020(T14,KL)		SEL (MATRIX 8)	01
LD840	WA877100	LED (chip) Orange	TLOU1020(T14,MN)		8 (MATRIX 1)	01
LD841	WA877100	LED (chip) Orange	TLOU1020(T14,MN)		7 (MATRIX 1)	01
LD842	WA877100	LED (chip) Orange	TLOU1020(T14,MN)		6 (MATRIX 1)	01
LD843	WA877100	LED (chip) Orange	TLOU1020(T14,MN)		5 (MATRIX 1)	01
LD844	WA877100	LED (chip) Orange	TLOU1020(T14,MN)		4 (MATRIX 1)	01
LD845	WA877100	LED (chip) Orange	TLOU1020(T14,MN)		3 (MATRIX 1)	01
LD846	WA877100	LED (chip) Orange	TLOU1020(T14,MN)		2 (MATRIX 1)	01
LD847	WA877100	LED (chip) Orange	TLOU1020(T14,MN)		1 (MATRIX 1)	01
LD848	WA877100	LED (chip) Orange	TLOU1020(T14,MN)		9 (MATRIX 1)	01
LD849	WA877100	LED (chip) Orange	TLOU1020(T14,MN)		A (MATRIX 1)	01
LD850	WA877100	LED (chip) Orange	TLOU1020(T14,MN)		B (MATRIX 1)	01
LD851	WA877100	LED (chip) Orange	TLOU1020(T14,MN)		C (MATRIX 1)	01
LD852	WA877100	LED (chip) Orange	TLOU1020(T14,MN)		D (MATRIX 1)	01
LD853	WA877100	LED (chip) Orange	TLOU1020(T14,MN)		E (MATRIX 1)	01
LD854	WA877100	LED (chip) Orange	TLOU1020(T14,MN)		F (MATRIX 1)	01
LD855	WC153200	LED (chip) Yellow	TLVY1020(T14,JK)		DCA 8 (MATRIX 1)	
LD856	WA877100	LED (chip) Orange	TLOU1020(T14,MN)		8 (MATRIX 2)	01
LD857	WA877100	LED (chip) Orange	TLOU1020(T14,MN)		7 (MATRIX 2)	01
LD858	WA877100	LED (chip) Orange	TLOU1020(T14,MN)		6 (MATRIX 2)	01
LD859	WA877100	LED (chip) Orange	TLOU1020(T14,MN)		5 (MATRIX 2)	01
LD860	WA877100	LED (chip) Orange	TLOU1020(T14,MN)		4 (MATRIX 2)	01
LD861	WA877100	LED (chip) Orange	TLOU1020(T14,MN)		3 (MATRIX 2)	01
LD862	WA877100	LED (chip) Orange	TLOU1020(T14,MN)		2 (MATRIX 2)	01
LD863	WA877100	LED (chip) Orange	TLOU1020(T14,MN)		1 (MATRIX 2)	01
LD864	WA877100	LED (chip) Orange	TLOU1020(T14,MN)		9 (MATRIX 2)	01
LD865	WA877100	LED (chip) Orange	TLOU1020(T14,MN)		A (MATRIX 2)	01
LD866	WA877100	LED (chip) Orange	TLOU1020(T14,MN)		B (MATRIX 2)	01
LD867	WA877100	LED (chip) Orange	TLOU1020(T14,MN)		C (MATRIX 2)	01
LD868	WA877100	LED (chip) Orange	TLOU1020(T14,MN)		D (MATRIX 2)	01
LD869	WA877100	LED (chip) Orange	TLOU1020(T14,MN)		E (MATRIX 2)	01
LD870	WA877100	LED (chip) Orange	TLOU1020(T14,MN)		F (MATRIX 2)	01
LD871	WC153200	LED (chip) Yellow	TLVY1020(T14,JK)		DCA 8 (MATRIX 2)	
LD872	WA877100	LED (chip) Orange	TLOU1020(T14,MN)		8 (MATRIX 3)	01
LD873	WA877100	LED (chip) Orange	TLOU1020(T14,MN)		7 (MATRIX 3)	01
LD874	WA877100	LED (chip) Orange	TLOU1020(T14,MN)		6 (MATRIX 3)	01
LD875	WA877100	LED (chip) Orange	TLOU1020(T14,MN)		5 (MATRIX 3)	01
LD876	WA877100	LED (chip) Orange	TLOU1020(T14,MN)		4 (MATRIX 3)	01
LD877	WA877100	LED (chip) Orange	TLOU1020(T14,MN)		3 (MATRIX 3)	01
LD878	WA877100	LED (chip) Orange	TLOU1020(T14,MN)		2 (MATRIX 3)	01
LD879	WA877100	LED (chip) Orange	TLOU1020(T14,MN)		1 (MATRIX 3)	01
LD880	WA877100	LED (chip) Orange	TLOU1020(T14,MN)		9 (MATRIX 3)	01
LD881	WA877100	LED (chip) Orange	TLOU1020(T14,MN)		A (MATRIX 3)	01
LD882	WA877100	LED (chip) Orange	TLOU1020(T14,MN)		B (MATRIX 3)	01
LD883	WA877100	LED (chip) Orange	TLOU1020(T14,MN)		C (MATRIX 3)	01
LD884	WA877100	LED (chip) Orange	TLOU1020(T14,MN)		D (MATRIX 3)	01
LD885	WA877100	LED (chip) Orange	TLOU1020(T14,MN)		E (MATRIX 3)	01
LD886	WA877100	LED (chip) Orange	TLOU1020(T14,MN)		F (MATRIX 3)	01
LD887	WC153200	LED (chip) Yellow	TLVY1020(T14,JK)		DCA 8 (MATRIX 3)	
LD888	WA877100	LED (chip) Orange	TLOU1020(T14,MN)		8 (MATRIX 4)	01
LD889	WA877100	LED (chip) Orange	TLOU1020(T14,MN)		7 (MATRIX 4)	01
LD890	WA877100	LED (chip) Orange	TLOU1020(T14,MN)		6 (MATRIX 4)	01
LD891	WA877100	LED (chip) Orange	TLOU1020(T14,MN)		5 (MATRIX 4)	01
LD892	WA877100	LED (chip) Orange	TLOU1020(T14,MN)		4 (MATRIX 4)	01
LD893	WA877100	LED (chip) Orange	TLOU1020(T14,MN)		3 (MATRIX 4)	01
LD894	WA877100	LED (chip) Orange	TLOU1020(T14,MN)		2 (MATRIX 4)	01
LD895	WA877100	LED (chip) Orange	TLOU1020(T14,MN)		1 (MATRIX 4)	01

* New Parts

RANK: Japan only

REF NO.	PART NO.	DESCRIPTION	REMARKS	QTY	NAME
LD966	WA877100	LED (chip) Orange	TLOU1020(T14,MM)		F (MATRIX 8)
LD967	WC153200	LED (chip) Yellow	TLVY1020(T14,JK)		DCA 8 (MATRIX 8)
R500	RD354820	Carbon Resistor (chip)	82.0 63M J		
-502	RD354820	Carbon Resistor (chip)	82.0 63M J		
R504	RD354820	Carbon Resistor (chip)	82.0 63M J		
R505	RD354820	Carbon Resistor (chip)	82.0 63M J		
R600	RD355120	Carbon Resistor (chip)	120.0 63M J		
-605	RD355120	Carbon Resistor (chip)	120.0 63M J		
R606	RD355390	Carbon Resistor (chip)	390.0 63M J		
-609	RD355390	Carbon Resistor (chip)	390.0 63M J		
R610	RD355120	Carbon Resistor (chip)	120.0 63M J		
-617	RD355120	Carbon Resistor (chip)	120.0 63M J		
R618	RD355390	Carbon Resistor (chip)	390.0 63M J		
-621	RD355390	Carbon Resistor (chip)	390.0 63M J		
R622	RD355120	Carbon Resistor (chip)	120.0 63M J		
-629	RD355120	Carbon Resistor (chip)	120.0 63M J		
R630	RD355390	Carbon Resistor (chip)	390.0 63M J		
-633	RD355390	Carbon Resistor (chip)	390.0 63M J		
R634	RD355120	Carbon Resistor (chip)	120.0 63M J		
-641	RD355120	Carbon Resistor (chip)	120.0 63M J		
R642	RD355390	Carbon Resistor (chip)	390.0 63M J		
R643	RD355120	Carbon Resistor (chip)	120.0 63M J		
-650	RD355120	Carbon Resistor (chip)	120.0 63M J		
R651	RD350000	Carbon Resistor (chip)	0 63M J		
-663	RD350000	Carbon Resistor (chip)	0 63M J		
R670	RD354820	Carbon Resistor (chip)	82.0 63M J		
-681	RD354820	Carbon Resistor (chip)	82.0 63M J		
RA100	RE047100	Resistor Array	10KX4		
-131	RE047100	Resistor Array	10KX4		
RA150	RE044470	Resistor Array	47X4		
RA151	RE044470	Resistor Array	47X4		
RA300	RE046100	Resistor Array	1KX4		
-303	RE046100	Resistor Array	1KX4		
RA500	RE044820	Resistor Array	82X4		
RA600	RE046220	Resistor Array	2.2KX4		
-609	RE046220	Resistor Array	2.2KX4		
SW400	V4857900	Tact Switch	SKHWAA		ON (MATRIX 1)
SW401	V4857900	Tact Switch	SKHWAA		ON (MATRIX 2)
SW402	V4857900	Tact Switch	SKHWAA		ON (MATRIX 3)
SW403	V4857900	Tact Switch	SKHWAA		ON (MATRIX 4)
SW404	V4857900	Tact Switch	SKHWAA		ON (MATRIX 5)
SW405	V4857900	Tact Switch	SKHWAA		ON (MATRIX 6)
SW406	V4857900	Tact Switch	SKHWAA		ON (MATRIX 7)
SW407	V4857900	Tact Switch	SKHWAA		ON (MATRIX 8)
SW408	V4857900	Tact Switch	SKHWAA		CUE (MATRIX 1)
SW409	V4857900	Tact Switch	SKHWAA		SEL (MATRIX 1)
SW410	V4857900	Tact Switch	SKHWAA		CUE (MATRIX 2)
SW411	V4857900	Tact Switch	SKHWAA		SEL (MATRIX 2)
SW412	V4857900	Tact Switch	SKHWAA		CUE (MATRIX 3)
SW413	V4857900	Tact Switch	SKHWAA		SEL (MATRIX 3)
SW414	V4857900	Tact Switch	SKHWAA		CUE (MATRIX 4)
SW415	V4857900	Tact Switch	SKHWAA		SEL (MATRIX 4)
SW416	V4857900	Tact Switch	SKHWAA		CUE (MATRIX 5)
SW417	V4857900	Tact Switch	SKHWAA		SEL (MATRIX 5)
SW418	V4857900	Tact Switch	SKHWAA		CUE (MATRIX 6)
SW419	V4857900	Tact Switch	SKHWAA		SEL (MATRIX 6)
SW420	V4857900	Tact Switch	SKHWAA		CUE (MATRIX 7)
SW421	V4857900	Tact Switch	SKHWAA		SEL (MATRIX 7)
SW422	V4857900	Tact Switch	SKHWAA		CUE (MATRIX 8)
SW423	V4857900	Tact Switch	SKHWAA		SEL (MATRIX 8)
SW424	V4857900	Tact Switch	SKHWAA		ON (MIX 1)
SW425	V4857900	Tact Switch	SKHWAA		ON (MIX 2)
SW426	V4857900	Tact Switch	SKHWAA		ON (MIX 3)
SW427	V4857900	Tact Switch	SKHWAA		ON (MIX 4)
SW428	V4857900	Tact Switch	SKHWAA		ON (MIX 5)
SW429	V4857900	Tact Switch	SKHWAA		ON (MIX 6)
SW430	V4857900	Tact Switch	SKHWAA		ON (MIX 7)
SW431	V4857900	Tact Switch	SKHWAA		ON (MIX 8)
SW432	V4857900	Tact Switch	SKHWAA		CUE (MIX 1)
SW433	V4857900	Tact Switch	SKHWAA		SEL (MIX 1)

* New Parts

RANK: Japan only

REF NO.	PART NO.	DESCRIPTION		REMARKS	QTY	RANK
SW434	V4857900	Tact Switch	SKHWAA	CUE (MIX 2)		01
SW435	V4857900	Tact Switch	SKHWAA	SEL (MIX 2)		01
SW436	V4857900	Tact Switch	SKHWAA	CUE (MIX 3)		01
SW437	V4857900	Tact Switch	SKHWAA	SEL (MIX 3)		01
SW438	V4857900	Tact Switch	SKHWAA	CUE (MIX 4)		01
SW439	V4857900	Tact Switch	SKHWAA	SEL (MIX 4)		01
SW440	V4857900	Tact Switch	SKHWAA	CUE (MIX 5)		01
SW441	V4857900	Tact Switch	SKHWAA	SEL (MIX 5)		01
SW442	V4857900	Tact Switch	SKHWAA	CUE (MIX 6)		01
SW443	V4857900	Tact Switch	SKHWAA	SEL (MIX 6)		01
SW444	V4857900	Tact Switch	SKHWAA	CUE (MIX 7)		01
SW445	V4857900	Tact Switch	SKHWAA	SEL (MIX 7)		01
SW446	V4857900	Tact Switch	SKHWAA	CUE (MIX 8)		01
SW447	V4857900	Tact Switch	SKHWAA	SEL (MIX 8)		01
SW448	V4857900	Tact Switch	SKHWAA	ON (MIX 9)		01
SW449	V4857900	Tact Switch	SKHWAA	ON (MIX 10)		01
SW450	V4857900	Tact Switch	SKHWAA	ON (MIX 11)		01
SW451	V4857900	Tact Switch	SKHWAA	ON (MIX 12)		01
SW452	V4857900	Tact Switch	SKHWAA	ON (MIX 13)		01
SW453	V4857900	Tact Switch	SKHWAA	ON (MIX 14)		01
SW454	V4857900	Tact Switch	SKHWAA	ON (MIX 15)		01
SW455	V4857900	Tact Switch	SKHWAA	ON (MIX 16)		01
SW456	V4857900	Tact Switch	SKHWAA	CUE (MIX 9)		01
SW457	V4857900	Tact Switch	SKHWAA	SEL (MIX 9)		01
SW458	V4857900	Tact Switch	SKHWAA	CUE (MIX 10)		01
SW459	V4857900	Tact Switch	SKHWAA	SEL (MIX 10)		01
SW460	V4857900	Tact Switch	SKHWAA	CUE (MIX 11)		01
SW461	V4857900	Tact Switch	SKHWAA	SEL (MIX 11)		01
SW462	V4857900	Tact Switch	SKHWAA	CUE (MIX 12)		01
SW463	V4857900	Tact Switch	SKHWAA	SEL (MIX 12)		01
SW464	V4857900	Tact Switch	SKHWAA	CUE (MIX 13)		01
SW465	V4857900	Tact Switch	SKHWAA	SEL (MIX 13)		01
SW466	V4857900	Tact Switch	SKHWAA	CUE (MIX 14)		01
SW467	V4857900	Tact Switch	SKHWAA	SEL (MIX 14)		01
SW468	V4857900	Tact Switch	SKHWAA	CUE (MIX 15)		01
SW469	V4857900	Tact Switch	SKHWAA	SEL (MIX 15)		01
SW470	V4857900	Tact Switch	SKHWAA	CUE (MIX 16)		01
SW471	V4857900	Tact Switch	SKHWAA	SEL (MIX 16)		01
SW472	V4857900	Tact Switch	SKHWAA	ON (MIX 17)		01
SW473	V4857900	Tact Switch	SKHWAA	ON (MIX 18)		01
SW474	V4857900	Tact Switch	SKHWAA	ON (MIX 19)		01
SW475	V4857900	Tact Switch	SKHWAA	ON (MIX 20)		01
SW476	V4857900	Tact Switch	SKHWAA	ON (MIX 21)		01
SW477	V4857900	Tact Switch	SKHWAA	ON (MIX 22)		01
SW478	V4857900	Tact Switch	SKHWAA	ON (MIX 23)		01
SW479	V4857900	Tact Switch	SKHWAA	ON (MIX 24)		01
SW480	V4857900	Tact Switch	SKHWAA	CUE (MIX 17)		01
SW481	V4857900	Tact Switch	SKHWAA	SEL (MIX 17)		01
SW482	V4857900	Tact Switch	SKHWAA	CUE (MIX 18)		01
SW483	V4857900	Tact Switch	SKHWAA	SEL (MIX 18)		01
SW484	V4857900	Tact Switch	SKHWAA	CUE (MIX 19)		01
SW485	V4857900	Tact Switch	SKHWAA	SEL (MIX 19)		01
SW486	V4857900	Tact Switch	SKHWAA	CUE (MIX 20)		01
SW487	V4857900	Tact Switch	SKHWAA	SEL (MIX 20)		01
SW488	V4857900	Tact Switch	SKHWAA	CUE (MIX 21)		01
SW489	V4857900	Tact Switch	SKHWAA	SEL (MIX 21)		01
SW490	V4857900	Tact Switch	SKHWAA	CUE (MIX 22)		01
SW491	V4857900	Tact Switch	SKHWAA	SEL (MIX 22)		01
SW492	V4857900	Tact Switch	SKHWAA	CUE (MIX 23)		01
SW493	V4857900	Tact Switch	SKHWAA	SEL (MIX 23)		01
SW494	V4857900	Tact Switch	SKHWAA	CUE (MIX 24)		01
SW495	V4857900	Tact Switch	SKHWAA	SEL (MIX 24)		01
SW496	V4857900	Tact Switch	SKHWAA	1 (MIX SEND SELECT)		01
SW497	V4857900	Tact Switch	SKHWAA	2 (MIX SEND SELECT)		01
SW498	V4857900	Tact Switch	SKHWAA	3 (MIX SEND SELECT)		01
SW499	V4857900	Tact Switch	SKHWAA	4 (MIX SEND SELECT)		01
SW500	V4857900	Tact Switch	SKHWAA	5 (MIX SEND SELECT)		01
SW501	V4857900	Tact Switch	SKHWAA	6 (MIX SEND SELECT)		01
SW502	V4857900	Tact Switch	SKHWAA	7 (MIX SEND SELECT)		01
SW503	V4857900	Tact Switch	SKHWAA	8 (MIX SEND SELECT)		01

*: New Parts

RANK: Japan only

REF NO.	PART NO.	DESCRIPTION	REMARKS	QTY	RANK
SW504	V4857900	Tact Switch	SKHWAA	9 (MIX SEND SELECT)	01
SW505	V4857900	Tact Switch	SKHWAA	10 (MIX SEND SELECT)	01
SW506	V4857900	Tact Switch	SKHWAA	11 (MIX SEND SELECT)	01
SW507	V4857900	Tact Switch	SKHWAA	12 (MIX SEND SELECT)	01
SW508	V4857900	Tact Switch	SKHWAA	13 (MIX SEND SELECT)	01
SW509	V4857900	Tact Switch	SKHWAA	14 (MIX SEND SELECT)	01
SW510	V4857900	Tact Switch	SKHWAA	15 (MIX SEND SELECT)	01
SW511	V4857900	Tact Switch	SKHWAA	16 (MIX SEND SELECT)	01
SW512	V4857900	Tact Switch	SKHWAA	17 (MIX SEND SELECT)	01
SW513	V4857900	Tact Switch	SKHWAA	18 (MIX SEND SELECT)	01
SW514	V4857900	Tact Switch	SKHWAA	19 (MIX SEND SELECT)	01
SW515	V4857900	Tact Switch	SKHWAA	20 (MIX SEND SELECT)	01
SW516	V4857900	Tact Switch	SKHWAA	21 (MIX SEND SELECT)	01
SW517	V4857900	Tact Switch	SKHWAA	22 (MIX SEND SELECT)	01
SW518	V4857900	Tact Switch	SKHWAA	23 (MIX SEND SELECT)	01
SW519	V4857900	Tact Switch	SKHWAA	24 (MIX SEND SELECT)	01
SW520	V4857900	Tact Switch	SKHWAA	FLIP (FADER)	01
SW521	V4857900	Tact Switch	SKHWAA	ALT LAYER (ENCODER MODE)	01
SW522	V4857900	Tact Switch	SKHWAA	GAIN/ATT (ENCODER MODE)	01
SW523	V4857900	Tact Switch	SKHWAA	PAN (ENCODER MODE)	01
TA500	V7723400	Transistor Array	TD62981F(EL)		04
WH000	--	Jumper Wire	FVP=2.0C26SB15-480	(WD38170)	
WH001	--	Jumper Wire	FVP=2.0C26SB9-500	(WD38180)	
WH002	--	Connector Assembly	PN1 L=400	(WD41350)	
WH003	--	Connector Assembly	PN1 L=320	(WD41360)	
	WA769200	Circuit Board	PN2	(WB18050)(X4091B0)	
	WB475200	Button Small	LENS/BLUE	PRE (CH 1-24/CH 25-48)	12
	WC310000	Button Small	LENS/S_GRAY	ON (CH 1-24/CH 25-48)	12
	WC310400	Button Small	LENS/M_GRAY	SEL (CH 1-24/CH 25-48)	12
C300	US145100	Ceramic Capacitor-F (chip)	0.1000 25V Z		01
C301	UF037100	Electrolytic Cap. (chip)	10 16V		01
C302	US145100	Ceramic Capacitor-F (chip)	0.1000 25V Z		01
C303	UF037100	Electrolytic Cap. (chip)	10 16V		01
C400	US145100	Ceramic Capacitor-F (chip)	0.1000 25V Z		01
-411	US145100	Ceramic Capacitor-F (chip)	0.1000 25V Z		01
C414	US061470	Ceramic Capacitor-CH(chip)	47P 50V J		01
C417	US061470	Ceramic Capacitor-CH(chip)	47P 50V J		01
C420	US061470	Ceramic Capacitor-CH(chip)	47P 50V J		01
C423	US061470	Ceramic Capacitor-CH(chip)	47P 50V J		01
C424	US062100	Ceramic Capacitor-SL(chip)	100P 50V J		01
-427	US062100	Ceramic Capacitor-SL(chip)	100P 50V J		01
C428	US061470	Ceramic Capacitor-CH(chip)	47P 50V J		01
-435	US061470	Ceramic Capacitor-CH(chip)	47P 50V J		01
C440	US061470	Ceramic Capacitor-CH(chip)	47P 50V J		01
-447	US061470	Ceramic Capacitor-CH(chip)	47P 50V J		01
CN100	VP127700	Connector, FFC	52045 24P TE		01
CN200	VQ048100	Connector, FFC	52045 32P TE		01
CN500	VQ048100	Connector, FFC	52045 32P TE		01
D200	VT332900	Diode	1SS355 TE-17		01
-295	VT332900	Diode	1SS355 TE-17		01
EC100	V3750700	Rotary Encoder	EC12E2410401	CH 1/25,CH 13/37	01
EC101	V3750700	Rotary Encoder	EC12E2410401	CH 2/26,CH 14/38	01
EC102	V3750700	Rotary Encoder	EC12E2410401	CH 3/27,CH 15/39	01
EC103	V3750700	Rotary Encoder	EC12E2410401	CH 4/28,CH 16/40	01
EC104	V3750700	Rotary Encoder	EC12E2410401	CH 5/29,CH 17/41	01
EC105	V3750700	Rotary Encoder	EC12E2410401	CH 6/30,CH 18/42	01
EC106	V3750700	Rotary Encoder	EC12E2410401	CH 7/31,CH 19/43	01
EC107	V3750700	Rotary Encoder	EC12E2410401	CH 8/32,CH 20/44	01
EC108	V3750700	Rotary Encoder	EC12E2410401	CH 9/33,CH 21/45	01
EC109	V3750700	Rotary Encoder	EC12E2410401	CH 10/34,CH 22/46	01
EC110	V3750700	Rotary Encoder	EC12E2410401	CH 11/35,CH 23/47	01
EC111	V3750700	Rotary Encoder	EC12E2410401	CH 12/36,CH 24/48	01
IC300	XV014A00	IC	TD62M8600F	SOURCE DRIVER	05
IC301	XV014A00	IC	TD62M8600F	SOURCE DRIVER	05
LD400	V2451300	LED Display	HCMS2903	CH 1/25,CH 13/37	12
LD401	V2451300	LED Display	HCMS2903	CH 2/26,CH 14/38	12
LD402	V2451300	LED Display	HCMS2903	CH 3/27,CH 15/39	12
LD403	V2451300	LED Display	HCMS2903	CH 4/28,CH 16/40	12
LD404	V2451300	LED Display	HCMS2903	CH 5/29,CH 17/41	12

* New Parts

RANK: Japan only

PM5D/PM5D-RH

REF. NO.	PART NO.	DESCRIPTION	REMARKS	QTY	RANK
LD705	WA877100	LED (chip) Orange	TLOU1020(T14,MN)	3 (CH 9/33,CH 21/45)	01
LD706	WA877100	LED (chip) Orange	TLOU1020(T14,MN)	2 (CH 9/33,CH 21/45)	01
LD707	WA877100	LED (chip) Orange	TLOU1020(T14,MN)	1 (CH 9/33,CH 21/45)	01
LD708	WA877100	LED (chip) Orange	TLOU1020(T14,MN)	9 (CH 9/33,CH 21/45)	01
LD709	WA877100	LED (chip) Orange	TLOU1020(T14,MN)	A (CH 9/33,CH 21/45)	01
LD710	WA877100	LED (chip) Orange	TLOU1020(T14,MN)	B (CH 9/33,CH 21/45)	01
LD711	WA877100	LED (chip) Orange	TLOU1020(T14,MN)	C (CH 9/33,CH 21/45)	01
LD712	WA877100	LED (chip) Orange	TLOU1020(T14,MN)	D (CH 9/33,CH 21/45)	01
LD713	WA877100	LED (chip) Orange	TLOU1020(T14,MN)	E (CH 9/33,CH 21/45)	01
LD714	WA877100	LED (chip) Orange	TLOU1020(T14,MN)	F (CH 9/33,CH 21/45)	01
LD715	WA877100	LED (chip) Orange	TLOU1020(T14,MN)	ON (CH 9/33,CH 21/45)	01
LD716	WA877100	LED (chip) Orange	TLOU1020(T14,MN)	8 (CH 10/34,CH 22/46)	01
LD717	WA877100	LED (chip) Orange	TLOU1020(T14,MN)	7 (CH 10/34,CH 22/46)	01
LD718	WA877100	LED (chip) Orange	TLOU1020(T14,MN)	6 (CH 10/34,CH 22/46)	01
LD719	WA877100	LED (chip) Orange	TLOU1020(T14,MN)	5 (CH 10/34,CH 22/46)	01
LD720	WA877100	LED (chip) Orange	TLOU1020(T14,MN)	4 (CH 10/34,CH 22/46)	01
LD721	WA877100	LED (chip) Orange	TLOU1020(T14,MN)	3 (CH 10/34,CH 22/46)	01
LD722	WA877100	LED (chip) Orange	TLOU1020(T14,MN)	2 (CH 10/34,CH 22/46)	01
LD723	WA877100	LED (chip) Orange	TLOU1020(T14,MN)	1 (CH 10/34,CH 22/46)	01
LD724	WA877100	LED (chip) Orange	TLOU1020(T14,MN)	9 (CH 10/34,CH 22/46)	01
LD726	WA877100	LED (chip) Orange	TLOU1020(T14,MN)	A (CH 10/34,CH 22/46)	01
LD726	WA877100	LED (chip) Orange	TLOU1020(T14,MN)	B (CH 10/34,CH 22/46)	01
LD727	WA877100	LED (chip) Orange	TLOU1020(T14,MN)	C (CH 10/34,CH 22/46)	01
LD728	WA877100	LED (chip) Orange	TLOU1020(T14,MN)	D (CH 10/34,CH 22/46)	01
LD729	WA877100	LED (chip) Orange	TLOU1020(T14,MN)	E (CH 10/34,CH 22/46)	01
LD730	WA877100	LED (chip) Orange	TLOU1020(T14,MN)	F (CH 10/34,CH 22/46)	01
LD731	WA877100	LED (chip) Orange	TLOU1020(T14,MN)	ON (CH 10/34,CH 22/46)	01
LD732	WA877100	LED (chip) Orange	TLOU1020(T14,MN)	8 (CH 11/35,CH 23/47)	01
LD733	WA877100	LED (chip) Orange	TLOU1020(T14,MN)	7 (CH 11/35,CH 23/47)	01
LD734	WA877100	LED (chip) Orange	TLOU1020(T14,MN)	6 (CH 11/35,CH 23/47)	01
LD735	WA877100	LED (chip) Orange	TLOU1020(T14,MN)	5 (CH 11/35,CH 23/47)	01
LD736	WA877100	LED (chip) Orange	TLOU1020(T14,MN)	4 (CH 11/35,CH 23/47)	01
LD737	WA877100	LED (chip) Orange	TLOU1020(T14,MN)	3 (CH 11/35,CH 23/47)	01
LD738	WA877100	LED (chip) Orange	TLOU1020(T14,MN)	2 (CH 11/35,CH 23/47)	01
LD739	WA877100	LED (chip) Orange	TLOU1020(T14,MN)	1 (CH 11/35,CH 23/47)	01
LD740	WA877100	LED (chip) Orange	TLOU1020(T14,MN)	9 (CH 11/35,CH 23/47)	01
LD741	WA877100	LED (chip) Orange	TLOU1020(T14,MN)	A (CH 11/35,CH 23/47)	01
LD742	WA877100	LED (chip) Orange	TLOU1020(T14,MN)	B (CH 11/35,CH 23/47)	01
LD743	WA877100	LED (chip) Orange	TLOU1020(T14,MN)	C (CH 11/35,CH 23/47)	01
LD744	WA877100	LED (chip) Orange	TLOU1020(T14,MN)	D (CH 11/35,CH 23/47)	01
LD745	WA877100	LED (chip) Orange	TLOU1020(T14,MN)	E (CH 11/35,CH 23/47)	01
LD746	WA877100	LED (chip) Orange	TLOU1020(T14,MN)	F (CH 11/35,CH 23/47)	01
LD747	WA877100	LED (chip) Orange	TLOU1020(T14,MN)	ON (CH 11/35,CH 23/47)	01
LD748	WA877100	LED (chip) Orange	TLOU1020(T14,MN)	8 (CH 12/36,CH 24/48)	01
LD749	WA877100	LED (chip) Orange	TLOU1020(T14,MN)	7 (CH 12/36,CH 24/48)	01
LD750	WA877100	LED (chip) Orange	TLOU1020(T14,MN)	6 (CH 12/36,CH 24/48)	01
LD751	WA877100	LED (chip) Orange	TLOU1020(T14,MN)	5 (CH 12/36,CH 24/48)	01
LD752	WA877100	LED (chip) Orange	TLOU1020(T14,MN)	4 (CH 12/36,CH 24/48)	01
LD753	WA877100	LED (chip) Orange	TLOU1020(T14,MN)	3 (CH 12/36,CH 24/48)	01
LD754	WA877100	LED (chip) Orange	TLOU1020(T14,MN)	2 (CH 12/36,CH 24/48)	01
LD755	WA877100	LED (chip) Orange	TLOU1020(T14,MN)	1 (CH 12/36,CH 24/48)	01
LD756	WA877100	LED (chip) Orange	TLOU1020(T14,MN)	9 (CH 12/36,CH 24/48)	01
LD757	WA877100	LED (chip) Orange	TLOU1020(T14,MN)	A (CH 12/36,CH 24/48)	01
LD758	WA877100	LED (chip) Orange	TLOU1020(T14,MN)	B (CH 12/36,CH 24/48)	01
LD759	WA877100	LED (chip) Orange	TLOU1020(T14,MN)	C (CH 12/36,CH 24/48)	01
LD760	WA877100	LED (chip) Orange	TLOU1020(T14,MN)	D (CH 12/36,CH 24/48)	01
LD761	WA877100	LED (chip) Orange	TLOU1020(T14,MN)	E (CH 12/36,CH 24/48)	01
LD762	WA877100	LED (chip) Orange	TLOU1020(T14,MN)	F (CH 12/36,CH 24/48)	01
LD763	WA877100	LED (chip) Orange	TLOU1020(T14,MN)	ON (CH 12/36,CH 24/48)	01
LD764	WA587900	LED (chip) Red	TLSU1020(T14,MN)	TO ST (CH 1/25,CH 13/37)	01
LD765	WA877100	LED (chip) Orange	TLOU1020(T14,MN)	COMP (CH 1/25,CH 13/37)	01
LD766	WA587900	LED (chip) Red	TLSU1020(T14,MN)	GATE (CH 1/25,CH 13/37)	01
LD767	WA588100	LED (chip) Green	TLSU1020(T14,KL)	SEL (CH 1/25,CH 13/37)	01
LD768	WA587900	LED (chip) Red	TLSU1020(T14,MN)	TO ST (CH 7/31,CH 19/43)	01
LD769	WA877100	LED (chip) Orange	TLOU1020(T14,MN)	COMP (CH 7/31,CH 19/43)	01
LD770	WA587900	LED (chip) Red	TLSU1020(T14,MN)	GATE (CH 7/31,CH 19/43)	01
LD771	WA588100	LED (chip) Green	TLSU1020(T14,KL)	SEL (CH 7/31,CH 19/43)	01
LD772	WA587900	LED (chip) Red	TLSU1020(T14,MN)	TO ST (CH 2/26,CH 14/38)	01
LD773	WA877100	LED (chip) Orange	TLOU1020(T14,MN)	COMP (CH 2/26,CH 14/38)	01
LD774	WA587900	LED (chip) Red	TLSU1020(T14,MN)	GATE (CH 2/26,CH 14/38)	01

*: New Parts

RANK: Japan only

REF NO.	PART NO.	DESCRIPTION	REMARKS	QTY	RANK	
LD775	WA588100	LED (chip) Green	TLGU1020(T14,KL)		SEL (CH 2/28,CH 14/38)	01
LD776	WA587900	LED (chip) Red	TLSU1020(T14,MN)		TO ST (CH 8/32,CH 20/44)	01
LD777	WA877100	LED (chip) Orange	TLOU1020(T14,MN)		COMP (CH 8/32,CH 20/44)	01
LD778	WA587900	LED (chip) Red	TLSU1020(T14,MN)		GATE (CH 8/32,CH 20/44)	01
LD779	WA588100	LED (chip) Green	TLGU1020(T14,KL)		SEL (CH 8/32,CH 20/44)	01
LD780	WA587900	LED (chip) Red	TLSU1020(T14,MN)		TO ST (CH 3/27,CH 15/39)	01
LD781	WA877100	LED (chip) Orange	TLOU1020(T14,MN)		COMP (CH 3/27,CH 15/39)	01
LD782	WA587900	LED (chip) Red	TLSU1020(T14,MN)		GATE (CH 3/27,CH 15/39)	01
LD783	WA588100	LED (chip) Green	TLGU1020(T14,KL)		SEL (CH 3/27,CH 15/39)	01
LD784	WA587900	LED (chip) Red	TLSU1020(T14,MN)		TO ST (CH 9/33,CH 21/45)	01
LD785	WA877100	LED (chip) Orange	TLOU1020(T14,MN)		COMP (CH 9/33,CH 21/45)	01
LD786	WA587900	LED (chip) Red	TLSU1020(T14,MN)		GATE (CH 9/33,CH 21/45)	01
LD787	WA588100	LED (chip) Green	TLGU1020(T14,KL)		SEL (CH 9/33,CH 21/45)	01
LD788	WA587900	LED (chip) Red	TLSU1020(T14,MN)		TO ST (CH 4/28,CH 16/40)	01
LD789	WA877100	LED (chip) Orange	TLOU1020(T14,MN)		COMP (CH 4/28,CH 16/40)	01
LD790	WA587900	LED (chip) Red	TLSU1020(T14,MN)		GATE (CH 4/28,CH 16/40)	01
LD791	WA588100	LED (chip) Green	TLGU1020(T14,KL)		SEL (CH 4/28,CH 16/40)	01
LD792	WA587900	LED (chip) Red	TLSU1020(T14,MN)		TO ST (CH 10/34,CH 22/46)	01
LD793	WA877100	LED (chip) Orange	TLOU1020(T14,MN)		COMP (CH 10/34,CH 22/46)	01
LD794	WA587900	LED (chip) Red	TLSU1020(T14,MN)		GATE (CH 10/34,CH 22/46)	01
LD795	WA588100	LED (chip) Green	TLGU1020(T14,KL)		SEL (CH 10/34,CH 22/46)	01
LD796	WA587900	LED (chip) Red	TLSU1020(T14,MN)		TO ST (CH 5/29,CH 17/41)	01
LD797	WA877100	LED (chip) Orange	TLOU1020(T14,MN)		COMP (CH 5/29,CH 17/41)	01
LD798	WA587900	LED (chip) Red	TLSU1020(T14,MN)		GATE (CH 5/29,CH 17/41)	01
LD799	WA588100	LED (chip) Green	TLGU1020(T14,KL)		SEL (CH 5/29,CH 17/41)	01
LD800	WA587900	LED (chip) Red	TLSU1020(T14,MN)		TO ST (CH 11/35,CH 23/47)	01
LD801	WA877100	LED (chip) Orange	TLOU1020(T14,MN)		COMP (CH 11/35,CH 23/47)	01
LD802	WA587900	LED (chip) Red	TLSU1020(T14,MN)		GATE (CH 11/35,CH 23/47)	01
LD803	WA588100	LED (chip) Green	TLGU1020(T14,KL)		SEL (CH 11/35,CH 23/47)	01
LD804	WA587900	LED (chip) Red	TLSU1020(T14,MN)		TO ST (CH 6/30,CH 18/42)	01
LD805	WA877100	LED (chip) Orange	TLOU1020(T14,MN)		COMP (CH 6/30,CH 18/42)	01
LD806	WA587900	LED (chip) Red	TLSU1020(T14,MN)		GATE (CH 6/30,CH 18/42)	01
LD807	WA588100	LED (chip) Green	TLGU1020(T14,KL)		SEL (CH 6/30,CH 18/42)	01
LD808	WA587900	LED (chip) Red	TLSU1020(T14,MN)		TO ST (CH 12/36,CH 24/48)	01
LD809	WA877100	LED (chip) Orange	TLOU1020(T14,MN)		COMP (CH 12/36,CH 24/48)	01
LD810	WA587900	LED (chip) Red	TLSU1020(T14,MN)		GATE (CH 12/36,CH 24/48)	01
LD811	WA588100	LED (chip) Green	TLGU1020(T14,KL)		SEL (CH 12/36,CH 24/48)	01
LD812	WA588100	LED (chip) Green	TLGU1020(T14,KL)		PRE (CH 1/25,CH 13/37)	01
LD813	WA588100	LED (chip) Green	TLGU1020(T14,KL)		PRE (CH 2/26,CH 14/38)	01
LD814	WA588100	LED (chip) Green	TLGU1020(T14,KL)		PRE (CH 3/27,CH 15/39)	01
LD815	WA588100	LED (chip) Green	TLGU1020(T14,KL)		PRE (CH 4/28,CH 16/40)	01
LD816	WA588100	LED (chip) Green	TLGU1020(T14,KL)		PRE (CH 5/29,CH 17/41)	01
LD817	WA588100	LED (chip) Green	TLGU1020(T14,KL)		PRE (CH 6/30,CH 18/42)	01
LD818	WA588100	LED (chip) Green	TLGU1020(T14,KL)		PRE (CH 7/31,CH 19/43)	01
LD819	WA588100	LED (chip) Green	TLGU1020(T14,KL)		PRE (CH 8/32,CH 20/44)	01
LD820	WA588100	LED (chip) Green	TLGU1020(T14,KL)		PRE (CH 9/33,CH 21/45)	01
LD821	WA588100	LED (chip) Green	TLGU1020(T14,KL)		PRE (CH 10/34,CH 22/46)	01
LD822	WA588100	LED (chip) Green	TLGU1020(T14,KL)		PRE (CH 11/35,CH 23/47)	01
LD823	WA588100	LED (chip) Green	TLGU1020(T14,KL)		PRE (CH 12/36,CH 24/48)	01
R100	RD354470	Carbon Resistor (chip)	47.0 63M J			01
R101	RD354820	Carbon Resistor (chip)	82.0 63M J			01
-105	RD354820	Carbon Resistor (chip)	82.0 63M J			01
R106	RD354470	Carbon Resistor (chip)	47.0 63M J			01
R300	RD355120	Carbon Resistor (chip)	120.0 63M J			01
-315	RD355120	Carbon Resistor (chip)	120.0 63M J			01
R400	RD354820	Carbon Resistor (chip)	82.0 63M J			01
-407	RD354820	Carbon Resistor (chip)	82.0 63M J			01
RA300	RE046220	Resistor Array	2.2KX4			01
-303	RE046220	Resistor Array	2.2KX4			01
SW200	V4857900	Tact Switch	SKHWAA		ON (CH 1/25,CH 13/37)	01
SW201	V4857900	Tact Switch	SKHWAA		SEL (CH 1/25,CH 13/37)	01
SW202	V4857900	Tact Switch	SKHWAA		ON (CH 2/26,CH 14/38)	01
SW203	V4857900	Tact Switch	SKHWAA		SEL (CH 2/26,CH 14/38)	01
SW204	V4857900	Tact Switch	SKHWAA		ON (CH 3/27,CH 15/39)	01
SW205	V4857900	Tact Switch	SKHWAA		SEL (CH 3/27,CH 15/39)	01
SW206	V4857900	Tact Switch	SKHWAA		ON (CH 4/28,CH 16/40)	01
SW207	V4857900	Tact Switch	SKHWAA		SEL (CH 4/28,CH 16/40)	01
SW208	V4857900	Tact Switch	SKHWAA		ON (CH 5/29,CH 17/41)	01
SW209	V4857900	Tact Switch	SKHWAA		SEL (CH 5/29,CH 17/41)	01
SW210	V4857900	Tact Switch	SKHWAA		ON (CH 6/30,CH 18/42)	01

* New Parts

RANK: Japan only

REF NO.	PART NO.	DESCRIPTION		REMARKS	QTY	RANK
SW211	V4857900	Tact Switch	SKHWAA	SEL (CH 6/30,CH 18/42)		01
SW212	V4857900	Tact Switch	SKHWAA	ON (CH 7/31,CH 19/43)		01
SW213	V4857900	Tact Switch	SKHWAA	SEL (CH 7/31,CH 19/43)		01
SW214	V4857900	Tact Switch	SKHWAA	ON (CH 8/32,CH 20/44)		01
SW215	V4857900	Tact Switch	SKHWAA	SEL (CH 8/32,CH 20/44)		01
SW216	V4857900	Tact Switch	SKHWAA	ON (CH 8/33,CH 21/45)		01
SW217	V4857900	Tact Switch	SKHWAA	SEL (CH 9/33,CH 21/45)		01
SW218	V4857900	Tact Switch	SKHWAA	ON (CH 10/34,CH 22/46)		01
SW219	V4857900	Tact Switch	SKHWAA	SEL (CH 10/34,CH 22/46)		01
SW220	V4857900	Tact Switch	SKHWAA	ON (CH 11/35,CH 23/47)		01
SW221	V4857900	Tact Switch	SKHWAA	SEL (CH 11/35,CH 23/47)		01
SW222	V4857900	Tact Switch	SKHWAA	ON (CH 12/36,CH 24/48)		01
SW223	V4857900	Tact Switch	SKHWAA	SEL (CH 12/36,CH 24/48)		01
SW224	V4857900	Tact Switch	SKHWAA	PRE (CH 1/25,CH 13/37)		01
SW225	V4857900	Tact Switch	SKHWAA	PRE (CH 5/29,CH 17/41)		01
SW226	V4857900	Tact Switch	SKHWAA	PRE (CH 2/28,CH 14/38)		01
SW227	V4857900	Tact Switch	SKHWAA	PRE (CH 6/30,CH 18/42)		01
SW228	V4857900	Tact Switch	SKHWAA	PRE (CH 3/27,CH 15/39)		01
SW229	V4857900	Tact Switch	SKHWAA	PRE (CH 7/31,CH 19/43)		01
SW230	V4857900	Tact Switch	SKHWAA	PRE (CH 4/28,CH 16/40)		01
SW231	V4857900	Tact Switch	SKHWAA	PRE (CH 8/32,CH 20/44)		01
SW232	V4857900	Tact Switch	SKHWAA	PRE (CH 9/33,CH 21/45)		01
SW233	V4857900	Tact Switch	SKHWAA	PRE (CH 10/34,CH 22/46)		01
SW234	V4857900	Tact Switch	SKHWAA	PRE (CH 11/35,CH 23/47)		01
SW235	V4857900	Tact Switch	SKHWAA	PRE (CH 12/36,CH 24/48)		01
	WA769300	Circuit Board	PN3	(WB18050)(X4090C0)		
CN100	V1878000	Cable Holder	51048 12P TE			01
CN101	V1878000	Cable Holder	51048 11P TE			01
CN102	V1878000	Cable Holder	51048 12P TE			01
D200	VT332900	Diode	1SS355 TE-17			01
-211	VT332900	Diode	1SS355 TE-17			01
LD100	WC153200	LED (chip) Yellow	TLVY1020(T14,JK)	DCA 1 (CH 1/7/13/19)		
LD101	WC153200	LED (chip) Yellow	TLVY1020(T14,JK)	DCA 5 (CH 1/7/13/19)		
LD102	WA587900	LED (chip) Red	TLSU1020(T14,MN)	MUTE 1 (CH 1/7/13/19)		01
LD103	WA587900	LED (chip) Red	TLSU1020(T14,MN)	MUTE 5 (CH 1/7/13/19)		01
LD104	WC153200	LED (chip) Yellow	TLVY1020(T14,JK)	DCA 1 (CH 2/8/14/20)		
LD105	WC153200	LED (chip) Yellow	TLVY1020(T14,JK)	DCA 5 (CH 2/8/14/20)		
LD106	WA587900	LED (chip) Red	TLSU1020(T14,MN)	MUTE 1 (CH 2/8/14/20)		01
LD107	WA587900	LED (chip) Red	TLSU1020(T14,MN)	MUTE 5 (CH 2/8/14/20)		01
LD108	WC153200	LED (chip) Yellow	TLVY1020(T14,JK)	DCA 2 (CH 1/7/13/19)		
LD109	WC153200	LED (chip) Yellow	TLVY1020(T14,JK)	DCA 6 (CH 1/7/13/19)		
LD110	WA587900	LED (chip) Red	TLSU1020(T14,MN)	MUTE 2 (CH 1/7/13/19)		01
LD111	WA587900	LED (chip) Red	TLSU1020(T14,MN)	MUTE 6 (CH 1/7/13/19)		01
LD112	WC153200	LED (chip) Yellow	TLVY1020(T14,JK)	DCA 2 (CH 2/8/14/20)		
LD113	WC153200	LED (chip) Yellow	TLVY1020(T14,JK)	DCA 6 (CH 2/8/14/20)		
LD114	WA587900	LED (chip) Red	TLSU1020(T14,MN)	MUTE 2 (CH 2/8/14/20)		01
LD115	WA587900	LED (chip) Red	TLSU1020(T14,MN)	MUTE 6 (CH 2/8/14/20)		01
LD116	WC153200	LED (chip) Yellow	TLVY1020(T14,JK)	DCA 3 (CH 1/7/13/19)		
LD117	WC153200	LED (chip) Yellow	TLVY1020(T14,JK)	DCA 7 (CH 1/7/13/19)		
LD118	WA587900	LED (chip) Red	TLSU1020(T14,MN)	MUTE 3 (CH 1/7/13/19)		01
LD119	WA587900	LED (chip) Red	TLSU1020(T14,MN)	MUTE 7 (CH 1/7/13/19)		01
LD120	WC153200	LED (chip) Yellow	TLVY1020(T14,JK)	DCA 3 (CH 2/8/14/20)		
LD121	WC153200	LED (chip) Yellow	TLVY1020(T14,JK)	DCA 7 (CH 2/8/14/20)		
LD122	WA587900	LED (chip) Red	TLSU1020(T14,MN)	MUTE 3 (CH 2/8/14/20)		01
LD123	WA587900	LED (chip) Red	TLSU1020(T14,MN)	MUTE 7 (CH 2/8/14/20)		01
LD124	WC153200	LED (chip) Yellow	TLVY1020(T14,JK)	DCA 4 (CH 1/7/13/19)		
LD125	WC153200	LED (chip) Yellow	TLVY1020(T14,JK)	DCA 8 (CH 1/7/13/19)		
LD126	WA587900	LED (chip) Red	TLSU1020(T14,MN)	MUTE 4 (CH 1/7/13/19)		01
LD127	WA587900	LED (chip) Red	TLSU1020(T14,MN)	MUTE 8 (CH 1/7/13/19)		01
LD128	WC153200	LED (chip) Yellow	TLVY1020(T14,JK)	DCA 4 (CH 2/8/14/20)		
LD129	WC153200	LED (chip) Yellow	TLVY1020(T14,JK)	DCA 8 (CH 2/8/14/20)		
LD130	WA587900	LED (chip) Red	TLSU1020(T14,MN)	MUTE 4 (CH 2/8/14/20)		01
LD131	WA587900	LED (chip) Red	TLSU1020(T14,MN)	MUTE 8 (CH 2/8/14/20)		01
LD132	V3666500	LED (chip) Orange	FA1105W	ON (CH 1/7/13/19)		01
LD133	V3666500	LED (chip) Orange	FA1105W	CUE (CH 1/7/13/19)		01
LD134	WA587900	LED (chip) Red	TLSU1020(T14,MN)	MUTE SAFE (CH 1/7/13/19)		01
LD135	WA877100	LED (chip) Orange	TLOU1020(T14,MN)	RCL SAFE (CH 1/7/13/19)		01
LD136	V3666500	LED (chip) Orange	FA1105W	ON (CH 2/8/14/20)		01
LD137	V3666500	LED (chip) Orange	FA1105W	CUE (CH 2/8/14/20)		01

* : New Parts

RANK: Japan only

REF NO.	PART NO.	DESCRIPTION	REMARKS	QTY	RANK
LD138	WA587900	LED (chip) Red	TLSU1020(T14,MN)	MUTE SAFE (CH 2/8/14/20)	01
LD139	WA877100	LED (chip) Orange	TLOU1020(T14,MN)	RCL SAFE (CH 2/8/14/20)	01
LD140	WA587900	LED (chip) Red	TLSU1020(T14,MN)	OVER (CH 1/7/13/19)	01
LD141	WA877100	LED (chip) Orange	TLOU1020(T14,MN)	-6 (CH 1/7/13/19)	01
LD142	WA877100	LED (chip) Orange	TLOU1020(T14,MN)	-12 (CH 1/7/13/19)	01
LD143	WA877100	LED (chip) Orange	TLOU1020(T14,MN)	-18 (CH 1/7/13/19)	01
LD144	WA587900	LED (chip) Red	TLSU1020(T14,MN)	OVER (CH 2/8/14/20)	01
LD145	WA877100	LED (chip) Orange	TLOU1020(T14,MN)	-6 (CH 2/8/14/20)	01
LD146	WA877100	LED (chip) Orange	TLOU1020(T14,MN)	-12 (CH 2/8/14/20)	01
LD147	WA877100	LED (chip) Orange	TLOU1020(T14,MN)	-18 (CH 2/8/14/20)	01
LD148	WA588100	LED (chip) Green	TLGU1020(T14,KL)	-30 (CH 1/7/13/19)	01
LD149	WA588100	LED (chip) Green	TLGU1020(T14,KL)	60 (CH 1/7/13/19)	01
LD150	WA588100	LED (chip) Green	TLGU1020(T14,KL)	-30 (CH 3/9/15/21)	01
LD151	WA588100	LED (chip) Green	TLGU1020(T14,KL)	60 (CH 3/9/15/21)	01
LD152	WA588100	LED (chip) Green	TLGU1020(T14,KL)	-30 (CH 2/8/14/20)	01
LD153	WA588100	LED (chip) Green	TLGU1020(T14,KL)	60 (CH 2/8/14/20)	01
LD154	WA588100	LED (chip) Green	TLGU1020(T14,KL)	-30 (CH 4/10/16/22)	01
LD155	WA588100	LED (chip) Green	TLGU1020(T14,KL)	60 (CH 4/10/16/22)	01
LD156	WC153200	LED (chip) Yellow	TLVY1020(T14,JK)	DCA 1 (CH 3/9/15/21)	
LD157	WC153200	LED (chip) Yellow	TLVY1020(T14,JK)	DCA 5 (CH 3/9/15/21)	
LD158	WA587900	LED (chip) Red	TLSU1020(T14,MN)	MUTE 1 (CH 3/9/15/21)	01
LD159	WA587900	LED (chip) Red	TLSU1020(T14,MN)	MUTE 5 (CH 3/9/15/21)	01
LD160	WC153200	LED (chip) Yellow	TLVY1020(T14,JK)	DCA 1 (CH 4/10/16/22)	
LD161	WC153200	LED (chip) Yellow	TLVY1020(T14,JK)	DCA 5 (CH 4/10/16/22)	
LD162	WA587900	LED (chip) Red	TLSU1020(T14,MN)	MUTE 1 (CH 4/10/16/22)	01
LD163	WA587900	LED (chip) Red	TLSU1020(T14,MN)	MUTE 5 (CH 4/10/16/22)	01
LD164	WC153200	LED (chip) Yellow	TLVY1020(T14,JK)	DCA 2 (CH 3/9/15/21)	
LD165	WC153200	LED (chip) Yellow	TLVY1020(T14,JK)	DCA 6 (CH 3/9/15/21)	
LD166	WA587900	LED (chip) Red	TLSU1020(T14,MN)	MUTE 2 (CH 3/9/15/21)	01
LD167	WA587900	LED (chip) Red	TLSU1020(T14,MN)	MUTE 6 (CH 3/9/15/21)	01
LD168	WC153200	LED (chip) Yellow	TLVY1020(T14,JK)	DCA 2 (CH 4/10/16/22)	
LD169	WC153200	LED (chip) Yellow	TLVY1020(T14,JK)	DCA 6 (CH 4/10/16/22)	
LD170	WA587900	LED (chip) Red	TLSU1020(T14,MN)	MUTE 2 (CH 4/10/16/22)	01
LD171	WA587900	LED (chip) Red	TLSU1020(T14,MN)	MUTE 6 (CH 4/10/16/22)	01
LD172	WC153200	LED (chip) Yellow	TLVY1020(T14,JK)	DCA 3 (CH 3/9/15/21)	
LD173	WC153200	LED (chip) Yellow	TLVY1020(T14,JK)	DCA 7 (CH 3/9/15/21)	
LD174	WA587900	LED (chip) Red	TLSU1020(T14,MN)	MUTE 3 (CH 3/9/15/21)	01
LD175	WA587900	LED (chip) Red	TLSU1020(T14,MN)	MUTE 7 (CH 3/9/15/21)	01
LD176	WC153200	LED (chip) Yellow	TLVY1020(T14,JK)	DCA 3 (CH 4/10/16/22)	
LD177	WC153200	LED (chip) Yellow	TLVY1020(T14,JK)	DCA 7 (CH 4/10/16/22)	
LD178	WA587900	LED (chip) Red	TLSU1020(T14,MN)	MUTE 3 (CH 4/10/16/22)	01
LD179	WA587900	LED (chip) Red	TLSU1020(T14,MN)	MUTE 7 (CH 4/10/16/22)	01
LD180	WC153200	LED (chip) Yellow	TLVY1020(T14,JK)	DCA 4 (CH 3/9/15/21)	
LD181	WC153200	LED (chip) Yellow	TLVY1020(T14,JK)	DCA 8 (CH 3/9/15/21)	
LD182	WA587900	LED (chip) Red	TLSU1020(T14,MN)	MUTE 4 (CH 3/9/15/21)	01
LD183	WA587900	LED (chip) Red	TLSU1020(T14,MN)	MUTE 8 (CH 3/9/15/21)	01
LD184	WC153200	LED (chip) Yellow	TLVY1020(T14,JK)	DCA 4 (CH 4/10/16/22)	
LD185	WC153200	LED (chip) Yellow	TLVY1020(T14,JK)	DCA 8 (CH 4/10/16/22)	
LD186	WA587900	LED (chip) Red	TLSU1020(T14,MN)	MUTE 4 (CH 4/10/16/22)	01
LD187	WA587900	LED (chip) Red	TLSU1020(T14,MN)	MUTE 8 (CH 4/10/16/22)	01
LD188	V3666500	LED (chip) Orange	FA1105W	ON (CH 3/9/15/21)	01
LD189	V3666500	LED (chip) Orange	FA1105W	CUE (CH 3/9/15/21)	01
LD190	WA587900	LED (chip) Red	TLSU1020(T14,MN)	MUTE SAFE (CH 3/9/15/21)	01
LD191	WA877100	LED (chip) Orange	TLOU1020(T14,MN)	RCL SAFE (CH 3/9/15/21)	01
LD192	V3666500	LED (chip) Orange	FA1105W	ON (CH 4/10/16/22)	01
LD193	V3666500	LED (chip) Orange	FA1105W	CUE (CH 4/10/16/22)	01
LD194	WA587900	LED (chip) Red	TLSU1020(T14,MN)	MUTE SAFE (CH 4/10/16/22)	01
LD195	WA877100	LED (chip) Orange	TLOU1020(T14,MN)	RCL SAFE (CH 4/10/16/22)	01
LD196	WA587900	LED (chip) Red	TLSU1020(T14,MN)	OVER (CH 3/9/15/21)	01
LD197	WA877100	LED (chip) Orange	TLOU1020(T14,MN)	-6 (CH 3/9/15/21)	01
LD198	WA877100	LED (chip) Orange	TLOU1020(T14,MN)	-12 (CH 3/9/15/21)	01
LD199	WA877100	LED (chip) Orange	TLOU1020(T14,MN)	-18 (CH 3/9/15/21)	01
LD200	WA587900	LED (chip) Red	TLSU1020(T14,MN)	OVER (CH 4/10/16/22)	01
LD201	WA877100	LED (chip) Orange	TLOU1020(T14,MN)	-6 (CH 4/10/16/22)	01
LD202	WA877100	LED (chip) Orange	TLOU1020(T14,MN)	-12 (CH 4/10/16/22)	01
LD203	WA877100	LED (chip) Orange	TLOU1020(T14,MN)	-18 (CH 4/10/16/22)	01
LD204	WC153200	LED (chip) Yellow	TLVY1020(T14,JK)	DCA 1 (CH 5/11/17/23)	
LD205	WC153200	LED (chip) Yellow	TLVY1020(T14,JK)	DCA 5 (CH 5/11/17/23)	
LD206	WA587900	LED (chip) Red	TLSU1020(T14,MN)	MUTE 1 (CH 5/11/17/23)	01
LD207	WA587900	LED (chip) Red	TLSU1020(T14,MN)	MUTE 5 (CH 5/11/17/23)	01

* New Parts

RANK: Japan only

PM5D/PM5D-RH

REF NO.	PART NO.	DESCRIPTION		REMARKS	QTY	RANK
LD208	WC153200	LED (chip) Yellow	TLVY1020(T14,JK)	DCA 1 (CH 6/12/18/24)		
LD209	WC153200	LED (chip) Yellow	TLVY1020(T14,JK)	DCA 5 (CH 6/12/18/24)		
LD210	WA587900	LED (chip) Red	TLSU1020(T14,MN)	MUTE 1 (CH 6/12/18/24)		01
LD211	WA587900	LED (chip) Red	TLSU1020(T14,MN)	MUTE 5 (CH 6/12/18/24)		01
LD212	WC153200	LED (chip) Yellow	TLVY1020(T14,JK)	DCA 2 (CH 5/11/17/23)		
LD213	WC153200	LED (chip) Yellow	TLVY1020(T14,JK)	DCA 6 (CH 5/11/17/23)		
LD214	WA587900	LED (chip) Red	TLSU1020(T14,MN)	MUTE 2 (CH 5/11/17/23)		01
LD215	WA587900	LED (chip) Red	TLSU1020(T14,MN)	MUTE 6 (CH 5/11/17/23)		01
LD216	WC153200	LED (chip) Yellow	TLVY1020(T14,JK)	DCA 2 (CH 6/12/18/24)		
LD217	WC153200	LED (chip) Yellow	TLVY1020(T14,JK)	DCA 8 (CH 6/12/18/24)		
LD218	WA587900	LED (chip) Red	TLSU1020(T14,MN)	MUTE 2 (CH 6/12/18/24)		01
LD219	WA587900	LED (chip) Red	TLSU1020(T14,MN)	MUTE 6 (CH 6/12/18/24)		01
LD220	WC153200	LED (chip) Yellow	TLVY1020(T14,JK)	DCA 3 (CH 5/11/17/23)		
LD221	WC153200	LED (chip) Yellow	TLVY1020(T14,JK)	DCA 7 (CH 5/11/17/23)		
LD222	WA587900	LED (chip) Red	TLSU1020(T14,MN)	MUTE 3 (CH 5/11/17/23)		01
LD223	WA587900	LED (chip) Red	TLSU1020(T14,MN)	MUTE 7 (CH 5/11/17/23)		01
LD224	WC153200	LED (chip) Yellow	TLVY1020(T14,JK)	DCA 3 (CH 6/12/18/24)		
LD225	WC153200	LED (chip) Yellow	TLVY1020(T14,JK)	DCA 7 (CH 6/12/18/24)		
LD226	WA587900	LED (chip) Red	TLSU1020(T14,MN)	MUTE 3 (CH 6/12/18/24)		01
LD227	WA587900	LED (chip) Red	TLSU1020(T14,MN)	MUTE 7 (CH 6/12/18/24)		01
LD228	WC153200	LED (chip) Yellow	TLVY1020(T14,JK)	DCA 4 (CH 5/11/17/23)		
LD229	WC153200	LED (chip) Yellow	TLVY1020(T14,JK)	DCA 8 (CH 5/11/17/23)		
LD230	WA587900	LED (chip) Red	TLSU1020(T14,MN)	MUTE 4 (CH 5/11/17/23)		01
LD231	WA587900	LED (chip) Red	TLSU1020(T14,MN)	MUTE 8 (CH 5/11/17/23)		01
LD232	WC153200	LED (chip) Yellow	TLVY1020(T14,JK)	DCA 4 (CH 6/12/18/24)		
LD233	WC153200	LED (chip) Yellow	TLVY1020(T14,JK)	DCA 8 (CH 6/12/18/24)		
LD234	WA587900	LED (chip) Red	TLSU1020(T14,MN)	MUTE 4 (CH 6/12/18/24)		01
LD235	WA587900	LED (chip) Red	TLSU1020(T14,MN)	MUTE 8 (CH 6/12/18/24)		01
LD236	V3666500	LED (chip) Orange	FA1105W	ON (CH 5/11/17/23)		01
LD237	V3666500	LED (chip) Orange	FA1105W	CUE (CH 5/11/17/23)		01
LD238	WA587900	LED (chip) Red	TLSU1020(T14,MN)	MUTE SAFE (CH 5/11/17/23)		01
LD239	WA877100	LED (chip) Orange	TLOU1020(T14,MN)	RCL SAFE (CH 5/11/17/23)		01
LD240	V3666500	LED (chip) Orange	FA1105W	ON (CH 6/12/18/24)		01
LD241	V3666500	LED (chip) Orange	FA1105W	CUE (CH 6/12/18/24)		01
LD242	WA587900	LED (chip) Red	TLSU1020(T14,MN)	MUTE SAFE (CH 6/12/18/24)		01
LD243	WA877100	LED (chip) Orange	TLOU1020(T14,MN)	RCL SAFE (CH 6/12/18/24)		01
LD244	WA587900	LED (chip) Red	TLSU1020(T14,MN)	OVER (CH 5/11/17/23)		01
LD245	WA877100	LED (chip) Orange	TLOU1020(T14,MN)	-6 (CH 5/11/17/23)		01
LD246	WA877100	LED (chip) Orange	TLOU1020(T14,MN)	-12 (CH 5/11/17/23)		01
LD247	WA877100	LED (chip) Orange	TLOU1020(T14,MN)	-18 (CH 5/11/17/23)		01
LD248	WA587900	LED (chip) Red	TLSU1020(T14,MN)	OVER (CH 6/12/18/24)		01
LD249	WA877100	LED (chip) Orange	TLOU1020(T14,MN)	-6 (CH 6/12/18/24)		01
LD250	WA877100	LED (chip) Orange	TLOU1020(T14,MN)	-12 (CH 6/12/18/24)		01
LD251	WA877100	LED (chip) Orange	TLOU1020(T14,MN)	-18 (CH 6/12/18/24)		01
LD252	WA588100	LED (chip) Green	TLGU1020(T14,KL)	-30 (CH 5/11/17/23)		01
LD253	WA588100	LED (chip) Green	TLGU1020(T14,KL)	-60 (CH 5/11/17/23)		01
LD254	WA588100	LED (chip) Green	TLGU1020(T14,KL)	30 (CH 6/12/18/24)		01
LD255	WA588100	LED (chip) Green	TLGU1020(T14,KL)	-60 (CH 6/12/18/24)		01
SW200	V3612000	Push Switch	SPPH131000	ON (CH 1/7/13/19)		03
SW201	V4857900	Tact Switch	SKHWAA	CUE (CH 1/7/13/19)		01
SW202	V3612000	Push Switch	SPPH131000	ON (CH 2/8/14/20)		03
SW203	V4857900	Tact Switch	SKHWAA	CUE (CH 2/8/14/20)		01
SW204	V3612000	Push Switch	SPPH131000	ON (CH 3/9/15/21)		03
SW205	V4857900	Tact Switch	SKHWAA	CUE (CH 3/9/15/21)		01
SW206	V3612000	Push Switch	SPPH131000	ON (CH 4/10/16/22)		03
SW207	V4857900	Tact Switch	SKHWAA	CUE (CH 4/10/16/22)		01
SW208	V3612000	Push Switch	SPPH131000	ON (CH 5/11/17/23)		03
SW209	V4857900	Tact Switch	SKHWAA	CUE (CH 5/11/17/23)		01
SW210	V3612000	Push Switch	SPPH131000	ON (CH 5/12/18/24)		03
SW211	V4857900	Tact Switch	SKHWAA	CUE (CH 6/12/18/24)		01
WH000	V5843300	Jumper Wire	FVP=2.0C26SB12-200			01
WH001	--	Jumper Wire	FVP=2.0C26SB11-200	(WB24670)		
WH002	V5843300	Jumper Wire	FVP=2.0C26SB12-200			01
	WA769600	Circuit Board	PN6	(X4096C0)		
CN100	V1879500	Cable Holder	51048 17P TE			01
CN101	V1879300	Cable Holder	51048 15P TE			01
D200	VT332900	Diode	1SS355 TE-17			01
-209	VT332900	Diode	1SS355 TE-17			01
LD100	WC153200	LED (chip) Yellow	TLVY1020(T14,JK)	DCA 1 (ST IN 1/FX RTN 1)		01

*: New Parts

RANK: Japan only

REF NO.	PART NO.	DESCRIPTION	REMARKS	QTY	RANK
LD101	WC153200	LED (chip) Yellow	TLV1020(T14,JK)		
LD102	WA587900	LED (chip) Red	TLSU1020(T14,MN)		01
LD103	WA587900	LED (chip) Red	TLSU1020(T14,MN)		01
LD104	WA877100	LED (chip) Orange	TLOU1020(T14,MN)		01
LD105	WA587900	LED (chip) Red	TLSU1020(T14,MN)		01
LD106	WA588100	LED (chip) Green	TLGU1020(T14,KL)		01
LD107	WA588100	LED (chip) Green	TLGU1020(T14,KL)		01
LD108	WC153200	LED (chip) Yellow	TLV1020(T14,JK)		
LD109	WC153200	LED (chip) Yellow	TLV1020(T14,JK)		
LD110	WA587900	LED (chip) Red	TLSU1020(T14,MN)		01
LD111	WA587900	LED (chip) Red	TLSU1020(T14,MN)		01
LD112	WA587900	LED (chip) Red	TLSU1020(T14,MN)		01
LD113	WA877100	LED (chip) Orange	TLOU1020(T14,MN)		01
LD114	WA588100	LED (chip) Green	TLGU1020(T14,KL)		01
LD115	WA588100	LED (chip) Green	TLGU1020(T14,KL)		01
LD116	WC153200	LED (chip) Yellow	TLV1020(T14,JK)		
LD117	WC153200	LED (chip) Yellow	TLV1020(T14,JK)		
LD118	WA587900	LED (chip) Red	TLSU1020(T14,MN)		01
LD119	WA587900	LED (chip) Red	TLSU1020(T14,MN)		01
LD120	V3666500	LED (chip) Orange	FA1105W		01
LD121	WA877100	LED (chip) Orange	TLOU1020(T14,MN)		01
LD122	WA877100	LED (chip) Orange	TLOU1020(T14,MN)		01
LD123	WA587900	LED (chip) Red	TLSU1020(T14,MN)		01
LD124	WC153200	LED (chip) Yellow	TLV1020(T14,JK)		
LD125	WC153200	LED (chip) Yellow	TLV1020(T14,JK)		
LD126	WA587900	LED (chip) Red	TLSU1020(T14,MN)		01
LD127	WA587900	LED (chip) Red	TLSU1020(T14,MN)		01
LD128	V3666500	LED (chip) Orange	FA1105W		01
LD129	WA877100	LED (chip) Orange	TLOU1020(T14,MN)		01
LD130	WA877100	LED (chip) Orange	TLOU1020(T14,MN)		01
LD131	WA877100	LED (chip) Orange	TLOU1020(T14,MN)		01
LD132	WC153200	LED (chip) Yellow	TLV1020(T14,JK)		
LD133	WC153200	LED (chip) Yellow	TLV1020(T14,JK)		
LD134	WA587900	LED (chip) Red	TLSU1020(T14,MN)		01
LD135	WA587900	LED (chip) Red	TLSU1020(T14,MN)		01
LD136	WA877100	LED (chip) Orange	TLOU1020(T14,MN)		01
LD137	WA587900	LED (chip) Red	TLSU1020(T14,MN)		01
LD138	WA588100	LED (chip) Green	TLGU1020(T14,KL)		01
LD139	WA588100	LED (chip) Green	TLGU1020(T14,KL)		01
LD140	WC153200	LED (chip) Yellow	TLV1020(T14,JK)		
LD141	WC153200	LED (chip) Yellow	TLV1020(T14,JK)		
LD142	WA587900	LED (chip) Red	TLSU1020(T14,MN)		01
LD143	WA587900	LED (chip) Red	TLSU1020(T14,MN)		01
LD144	WA587900	LED (chip) Red	TLSU1020(T14,MN)		01
LD145	WA877100	LED (chip) Orange	TLOU1020(T14,MN)		01
LD146	WA588100	LED (chip) Green	TLGU1020(T14,KL)		01
LD147	WA588100	LED (chip) Green	TLGU1020(T14,KL)		01
LD148	WC153200	LED (chip) Yellow	TLV1020(T14,JK)		
LD149	WC153200	LED (chip) Yellow	TLV1020(T14,JK)		
LD150	WA587900	LED (chip) Red	TLSU1020(T14,MN)		01
LD151	WA587900	LED (chip) Red	TLSU1020(T14,MN)		01
LD152	V3666500	LED (chip) Orange	FA1105W		01
LD153	WA877100	LED (chip) Orange	TLOU1020(T14,MN)		01
LD154	WA877100	LED (chip) Orange	TLOU1020(T14,MN)		01
LD155	WA587900	LED (chip) Red	TLSU1020(T14,MN)		01
LD156	WC153200	LED (chip) Yellow	TLV1020(T14,JK)		
LD157	WC153200	LED (chip) Yellow	TLV1020(T14,JK)		
LD158	WA587900	LED (chip) Red	TLSU1020(T14,MN)		01
LD159	WA587900	LED (chip) Red	TLSU1020(T14,MN)		01
LD160	V3666500	LED (chip) Orange	FA1106W		01
LD161	WA877100	LED (chip) Orange	TLOU1020(T14,MN)		01
LD162	WA877100	LED (chip) Orange	TLOU1020(T14,MN)		01
LD163	WA877100	LED (chip) Orange	TLOU1020(T14,MN)		01
LD164	WC153200	LED (chip) Yellow	TLV1020(T14,JK)		
LD165	WC153200	LED (chip) Yellow	TLV1020(T14,JK)		
LD166	WA587900	LED (chip) Red	TLSU1020(T14,MN)		01
LD167	WA587900	LED (chip) Red	TLSU1020(T14,MN)		01
LD168	WA877100	LED (chip) Orange	TLOU1020(T14,MN)		01
LD169	WA587900	LED (chip) Red	TLSU1020(T14,MN)		01
LD170	WA588100	LED (chip) Green	TLGU1020(T14,KL)		01

* New Parts

RANK: Japan only

REF NO.	PART NO.	DESCRIPTION	REMARKS	QTY	RANK
LD171	WA588100	LED (chip) Green	TLGU1020(T14,KL)		01
LD172	WC153200	LED (chip) Yellow	TLVY1020(T14,JK)		
LD173	WC153200	LED (chip) Yellow	TLVY1020(T14,JK)		
LD174	WA587900	LED (chip) Red	TLSU1020(T14,MN)		01
LD175	WA587900	LED (chip) Red	TLSU1020(T14,MN)		01
LD176	WA587900	LED (chip) Red	TLSU1020(T14,MN)		01
LD177	WA877100	LED (chip) Orange	TLOU1020(T14,MN)		01
LD178	WA588100	LED (chip) Green	TLGU1020(T14,KL)		01
LD179	WA588100	LED (chip) Green	TLGU1020(T14,KL)		01
LD180	WC153200	LED (chip) Yellow	TLVY1020(T14,JK)		
LD181	WC153200	LED (chip) Yellow	TLVY1020(T14,JK)		
LD182	WA587900	LED (chip) Red	TLSU1020(T14,MN)		01
LD183	WA587900	LED (chip) Red	TLSU1020(T14,MN)		01
LD184	V3666500	LED (chip) Orange	FA1105W		01
LD185	WA877100	LED (chip) Orange	TLOU1020(T14,MN)		01
LD186	WA877100	LED (chip) Orange	TLOU1020(T14,MN)		01
LD187	WA587900	LED (chip) Red	TLSU1020(T14,MN)		01
LD188	WC153200	LED (chip) Yellow	TLVY1020(T14,JK)		
LD189	WC153200	LED (chip) Yellow	TLVY1020(T14,JK)		
LD190	WA587900	LED (chip) Red	TLSU1020(T14,MN)		01
LD191	WA587900	LED (chip) Red	TLSU1020(T14,MN)		01
LD192	V3666500	LED (chip) Orange	FA1105W		01
LD193	WA877100	LED (chip) Orange	TLOU1020(T14,MN)		01
LD194	WA877100	LED (chip) Orange	TLOU1020(T14,MN)		01
LD195	WA877100	LED (chip) Orange	TLOU1020(T14,MN)		01
LD196	WC153200	LED (chip) Yellow	TLVY1020(T14,JK)		
LD197	WC153200	LED (chip) Yellow	TLVY1020(T14,JK)		
LD198	WA587900	LED (chip) Red	TLSU1020(T14,MN)		01
LD199	WA587900	LED (chip) Red	TLSU1020(T14,MN)		01
LD200	WA877100	LED (chip) Orange	TLOU1020(T14,MN)		01
LD201	WA587900	LED (chip) Red	TLSU1020(T14,MN)		01
LD202	WA588100	LED (chip) Green	TLGU1020(T14,KL)		01
LD203	WA588100	LED (chip) Green	TLGU1020(T14,KL)		01
LD204	WC153200	LED (chip) Yellow	TLVY1020(T14,JK)		
LD205	WC153200	LED (chip) Yellow	TLVY1020(T14,JK)		
LD206	WA587900	LED (chip) Red	TLSU1020(T14,MN)		01
LD207	WA587900	LED (chip) Red	TLSU1020(T14,MN)		01
LD208	WA587900	LED (chip) Red	TLSU1020(T14,MN)		01
LD209	WA877100	LED (chip) Orange	TLOU1020(T14,MN)		01
LD210	WA588100	LED (chip) Green	TLGU1020(T14,KL)		01
LD211	WA588100	LED (chip) Green	TLGU1020(T14,KL)		01
LD212	WC153200	LED (chip) Yellow	TLVY1020(T14,JK)		
LD213	WC153200	LED (chip) Yellow	TLVY1020(T14,JK)		
LD214	WA587900	LED (chip) Red	TLSU1020(T14,MN)		01
LD215	WA587900	LED (chip) Red	TLSU1020(T14,MN)		01
LD216	V3666500	LED (chip) Orange	FA1105W		01
LD217	WA877100	LED (chip) Orange	TLOU1020(T14,MN)		01
LD218	WA877100	LED (chip) Orange	TLOU1020(T14,MN)		01
LD219	WA587900	LED (chip) Red	TLSU1020(T14,MN)		01
LD220	WC153200	LED (chip) Yellow	TLVY1020(T14,JK)		
LD221	WC153200	LED (chip) Yellow	TLVY1020(T14,JK)		
LD222	WA587900	LED (chip) Red	TLSU1020(T14,MN)		01
LD223	WA587900	LED (chip) Red	TLSU1020(T14,MN)		01
LD224	V3666500	LED (chip) Orange	FA1105W		01
LD225	WA877100	LED (chip) Orange	TLOU1020(T14,MN)		01
LD226	WA877100	LED (chip) Orange	TLOU1020(T14,MN)		01
LD227	WA877100	LED (chip) Orange	TLOU1020(T14,MN)		01
LD228	V3990100	LED (chip) Red	FR1105W		01
LD229	V3990700	LED (chip) Yellow	FY1105W		01
SW200	V3612000	Push Switch	SPPH131000		03
SW201	V3612000	Push Switch	SPPH131000		03
SW202	V3612000	Push Switch	SPPH131000		03
SW203	V3612000	Push Switch	SPPH131000		03
SW204	V4857900	Tact Switch	SKHWAA		01
SW205	V4857900	Tact Switch	SKHWAA		01
SW206	V4857900	Tact Switch	SKHWAA		01
SW207	V4857900	Tact Switch	SKHWAA		01
SW208	V4857900	Tact Switch	SKHWAA		01
SW209	V4857900	Tact Switch	SKHWAA		01
MH000	--	Jumper Wire	FVP-2.0C26SB+5-180		01

* : New Parts

RANK: Japan only

REF NO.	PART NO.	DESCRIPTION	REMARKS	QTY	RANK
WH001	--	Jumper Wire	FVP=2.0C26SB17-210	(WB24650)	
* CN100	WA769800	Circuit Board	PN8	1/2,2/2 (X409780)	
CN101	VI878900	Cable Holder	51048 11P TE		01
CN200	VI878200	Cable Holder	51048 4P TE		01
D100	VT332900	Diode	ISS355 TE-17		01
-106	VT332900	Diode	ISS355 TE-17		01
EC200	V6225900	Optical Rotary Encoder	REC16625-201-K	DATA encoder	12
SW100	VR531200	Push Switch	ML1A-11JW	DEC/CANCEL	02
SW101	VR531200	Push Switch	ML1A-11JW	Cursor (Left)	02
SW102	VR531200	Push Switch	ML1A-11JW	Cursor (Up)	02
SW103	VR531200	Push Switch	ML1A-11JW	SHIFT	02
SW104	VR531200	Push Switch	ML1A-11JW	INC/OK	02
SW105	VR531200	Push Switch	ML1A-11JW	Cursor (Right)	02
SW106	VR531200	Push Switch	ML1A-11JW	Cursor (Down)	02
SW108	VR531200	Push Switch	ML1A-11JW	ENTER	02
WH000	--	Jumper Wire	FVP=2.0C26SB11-200	(WB24670)	
WH001	--	Jumper Wire	FVP=2.0C26SB4-100	(WB24680)	
* * *	WA769500	Circuit Board	PN4 (PNCOM)	(WB08470)(X409680)	
* * *	WA769400	Circuit Board	PN5 (PNCOM)	(WB08470)(X409580)	
* * *	WC310400	Button Small	LENS/M_GRAY	SEL (STEREO A,STEREO B), MONO (STEREO B)	3
C101	US145100	Ceramic Capacitor-F (chip)	0.1000 25V Z		01
-108	US145100	Ceramic Capacitor-F (chip)	0.1000 25V Z		01
C109	US062100	Ceramic Capacitor-SL(chip)	100P 50V J		01
-111	US062100	Ceramic Capacitor-SL(chip)	100P 50V J		01
C112	US061470	Ceramic Capacitor-CH(chip)	47P 50V J		01
-124	US061470	Ceramic Capacitor-CH(chip)	47P 50V J		01
CN101	VI879000	Cable Holder	51048 12P TE		01
CN201	VI879300	Cable Holder	51048 16P TE		01
CN400	VI878500	Cable Holder	51048 7P TE		01
CN401	VI879000	Cable Holder	51048 12P TE		01
D101	VT332900	Diode	ISS355 TE-17		01
-132	VT332900	Diode	ISS355 TE-17		01
D401	VT332900	Diode	ISS355 TE-17		01
-403	VT332900	Diode	ISS355 TE-17		01
LD201	V3666500	LED (chip) Orange	FA1105W	CH 1-24	01
LD202	V3666500	LED (chip) Orange	FA1105W	A (FADER MODE)	01
LD203	V3990100	LED (chip) Red	FR1105W	MUTE (DCA 1)	01
LD204	V3990100	LED (chip) Red	FR1105W	MUTE (DCA 5)	01
LD205	WA877100	LED (chip) Orange	TLOU1020(T14,MN)	RCL SAFE (DCA 1)	01
LD206	WA877100	LED (chip) Orange	TLOU1020(T14,MN)	RCL SAFE (DCA 6)	01
LD207	V3666500	LED (chip) Orange	FA1105W	CUE (DCA 1)	01
LD208	V3666500	LED (chip) Orange	FA1105W	CUE (DCA 5)	01
LD209	V3666500	LED (chip) Orange	FA1105W	CH 25-48	01
LD210	V3666500	LED (chip) Orange	FA1105W	B (FADER MODE)	01
LD211	V3990100	LED (chip) Red	FR1105W	MUTE (DCA 2)	01
LD212	V3990100	LED (chip) Red	FR1105W	MUTE (DCA 6)	01
LD213	WA877100	LED (chip) Orange	TLOU1020(T14,MN)	RCL SAFE (DCA 2)	01
LD214	WA877100	LED (chip) Orange	TLOU1020(T14,MN)	RCL SAFE (DCA 7)	01
LD215	V3666500	LED (chip) Orange	FA1105W	CUE (DCA 2)	01
LD216	V3666500	LED (chip) Orange	FA1105W	CUE (DCA 6)	01
LD217	V3666500	LED (chip) Orange	FA1105W	C (FADER MODE)	01
LD218	V3990100	LED (chip) Red	FR1105W	MUTE (DCA 3)	01
LD219	V3990100	LED (chip) Red	FR1105W	MUTE (DCA 7)	01
LD220	WA877100	LED (chip) Orange	TLOU1020(T14,MN)	RCL SAFE (DCA 3)	01
LD221	WA877100	LED (chip) Orange	TLOU1020(T14,MN)	RCL SAFE (DCA 8)	01
LD222	V3666500	LED (chip) Orange	FA1105W	CUE (DCA 3)	01
LD223	V3666500	LED (chip) Orange	FA1105W	CUE (DCA 7)	01
LD224	V3666500	LED (chip) Orange	FA1105W	ST IN 1-4	01
LD225	V3666500	LED (chip) Orange	FA1105W	FX RTN 1-4	01
LD226	V3666500	LED (chip) Orange	FA1105W	D (FADER MODE)	01
LD227	V3990100	LED (chip) Red	FR1105W	MUTE (DCA 4)	01
LD228	V3990100	LED (chip) Red	FR1105W	MUTE (DCA 8)	01
LD229	WA877100	LED (chip) Orange	TLOU1020(T14,MN)	RCL SAFE (DCA 4)	01
LD230	WA877100	LED (chip) Orange	TLOU1020(T14,MN)	RCL SAFE (STEREO A)	01
LD231	V3666500	LED (chip) Orange	FA1105W	CUE (DCA 4)	01
LD232	V3666500	LED (chip) Orange	FA1105W	CUE (DCA 8)	01

* New Parts

RANK: Japan only

PM5D/PM5D-RH

REF. NO.	PART NO.	DESCRIPTION		REMARKS	QTY	RANK
LD233	V3666500	LED (chip) Orange	FA1105W	E (FADER MODE)		01
LD234	V3666500	LED (chip) Orange	FA1105W	ON (STEREO A)		01
LD235	V3666500	LED (chip) Orange	FA1105W	ON (STEREO B)		01
LD236	WA877100	LED (chip) Orange	TLOU1020(T14,MN)	RCL SAFE (DCA 5)		01
LD237	WA877100	LED (chip) Orange	TLOU1020(T14,MN)	RCL SAFE (STEREO B)		01
LD238	V3666500	LED (chip) Orange	FA1105W	CUE (STEREO A)		01
LD239	V3666500	LED (chip) Orange	FA1105W	CUE (STEREO B)		01
LD240	V3666500	LED (chip) Orange	FA1105W	F (FADER MODE)		01
LD241	WA588100	LED (chip) Green	TLGU1020(T14,KL)	NOMINAL (DCA 1)		01
LD242	WA588100	LED (chip) Green	TLGU1020(T14,KL)	NOMINAL (DCA 3)		01
LD243	WA588100	LED (chip) Green	TLGU1020(T14,KL)	NOMINAL (DCA 5)		01
LD244	WA588100	LED (chip) Green	TLGU1020(T14,KL)	NOMINAL (DCA 7)		01
LD245	WA587900	LED (chip) Red	TLSU1020(T14,MN)	MUTE SAFE (STEREO A)		01
LD246	V3990200	LED (chip) Yellow	FY1105W	DCA (FADER MODE)		01
LD247	WA588100	LED (chip) Green	TLGU1020(T14,KL)	NOMINAL (DCA 2)		01
LD248	WA588100	LED (chip) Green	TLGU1020(T14,KL)	NOMINAL (DCA 4)		01
LD249	WA588100	LED (chip) Green	TLGU1020(T14,KL)	NOMINAL (DCA 6)		01
LD250	WA588100	LED (chip) Green	TLGU1020(T14,KL)	NOMINAL (DCA 8)		01
LD251	WA587900	LED (chip) Red	TLSU1020(T14,MN)	MUTE SAFE (STEREO B)		01
LD252	WC578600	LED (chip) Green	YPY1105W-T30-TR	25 (USER DEFINED KEY)		01
LD253	WC153200	LED (chip) Yellow	TLVY1020(T14,JK)	DCA 8 (STEREO A)		01
LD254	WC153200	LED (chip) Yellow	TLVY1020(T14,JK)	DCA 8 (STEREO B)		01
LD255	WC153200	LED (chip) Yellow	TLVY1020(T14,JK)	DCA 7 (STEREO A)		01
LD256	WC153200	LED (chip) Yellow	TLVY1020(T14,JK)	DCA 7 (STEREO B)		01
LD301	V2451300	LED Display	HCMS2903	DCA 1		12
LD302	V2451300	LED Display	HCMS2903	DCA 2		12
LD303	V2451300	LED Display	HCMS2903	DCA 3		12
LD304	V2451300	LED Display	HCMS2903	DCA 4		12
LD305	V2451300	LED Display	HCMS2903	DCA 5		12
LD306	V2451300	LED Display	HCMS2903	DCA 6		12
LD307	V2451300	LED Display	HCMS2903	DCA 7		12
LD308	V2451300	LED Display	HCMS2903	DCA 8		12
LD402	WA877100	LED (chip) Orange	TLOU1020(T14,MN)	COMP (STEREO A)		01
LD403	WA877100	LED (chip) Orange	TLOU1020(T14,MN)	TO MTRX (STEREO A)		01
LD405	WA877100	LED (chip) Orange	TLOU1020(T14,MN)	COMP (STEREO B)		01
LD406	WA877100	LED (chip) Orange	TLOU1020(T14,MN)	TO MTRX (STEREO B)		01
LD407	WA588100	LED (chip) Green	TLGU1020(T14,KL)	SEL (STEREO A)		01
LD408	WA588100	LED (chip) Green	TLGU1020(T14,KL)	SEL (STEREO B)		01
LD409	WA877100	LED (chip) Orange	TLOU1020(T14,MN)	MONO (STEREO B)		01
R120	RD354820	Carbon Resistor (chip)	82.0 63M J			01
-124	RD354820	Carbon Resistor (chip)	82.0 63M J			01
R400	RD354470	Carbon Resistor (chip)	47.0 63M J			01
R401	RD354820	Carbon Resistor (chip)	82.0 63M J			01
-404	RD354820	Carbon Resistor (chip)	82.0 63M J			01
SW101	V3612000	Push Switch	SPPH131000	CH 1-24		03
SW102	V3612000	Push Switch	SPPH131000	MUTE (DCA 1)		03
SW103	V4857900	Tact Switch	SKHWAA	CUE (DCA 1)		01
SW104	V4857900	Tact Switch	SKHWAA	CUE (DCA 3)		01
SW105	V3612000	Push Switch	SPPH131000	CH 25-48		03
SW106	V3612000	Push Switch	SPPH131000	MUTE (DCA 2)		03
SW107	V4857900	Tact Switch	SKHWAA	CUE (DCA 2)		01
SW108	V4857900	Tact Switch	SKHWAA	CUE (DCA 4)		01
SW109	V3612000	Push Switch	SPPH131000	A (FADER MODE)		03
SW110	V3612000	Push Switch	SPPH131000	B (FADER MODE)		03
SW111	V3612000	Push Switch	SPPH131000	MUTE (DCA 3)		03
SW112	V4857900	Tact Switch	SKHWAA	CUE (DCA 5)		01
SW113	V3612000	Push Switch	SPPH131000	C (FADER MODE)		03
SW114	V3612000	Push Switch	SPPH131000	D (FADER MODE)		03
SW115	V3612000	Push Switch	SPPH131000	MUTE (DCA 4)		03
SW116	V4857900	Tact Switch	SKHWAA	CUE (DCA 6)		01
SW117	V3612000	Push Switch	SPPH131000	E (FADER MODE)		03
SW118	V3612000	Push Switch	SPPH131000	MUTE (DCA 5)		03
SW119	V4857900	Tact Switch	SKHWAA	CUE (DCA 7)		01
SW120	V3612000	Push Switch	SPPH131000	DCA (FADER MODE)		03
SW121	V3612000	Push Switch	SPPH131000	F (FADER MODE)		03
SW122	V3612000	Push Switch	SPPH131000	MUTE (DCA 6)		03
SW123	V4857900	Tact Switch	SKHWAA	CUE (DCA 8)		01
SW124	V3612000	Push Switch	SPPH131000	ST IN 1-4		03
SW125	V3612000	Push Switch	SPPH131000	MUTE (DCA 7)		03
SW126	V3612000	Push Switch	SPPH131000	MUTE (DCA 8)		03

*: New Parts

RANK: Japan only

REF NO.	PART NO.	DESCRIPTION		REMARKS	QTY	NAME
SW127	V4857900	Tact Switch	SKHWAA	CUE (STEREO A)		01
SW128	V3612000	Push Switch	SPPH131000	FX RTN 1-4		03
SW129	V3612000	Push Switch	SPPH131000	ON (STEREO A)		03
SW130	V3612000	Push Switch	SPPH131000	ON (STEREO B)		03
SW131	V4857900	Tact Switch	SKHWAA	CUE (STEREO B)		01
SW132	V3612000	Push Switch	SPPH131000	25 (USER DEFINED KEY)		03
SW401	V4857900	Tact Switch	SKHWAA	SEL (STEREO A)		01
SW402	V4857900	Tact Switch	SKHWAA	SEL (STEREO B)		01
SW403	V4857900	Tact Switch	SKHWAA	MONO (STEREO B)		01
WH000	--	Jumper Wire	FVP-2.0C26SB12-90	(WB24600)		
WH001	--	Jumper Wire	FVP-2.0C26SB15-90	(WB24610)		
WH002	--	Jumper Wire	FVP-2.0C26SB7-150	(WB24630)		
WH003	--	Jumper Wire	FVP-2.0C26SB12-150	(WB24620)		
WA	WA768700	Circuit Board	SL	(X4093B0)		
VA	VA119300	Adhesive Tape	12X25		7	01
WB	WB475000	Button Small	LENS/Y_BROWN	DCA 1-8 (GROUP)	6	
WB	WB475200	Button Small	LENS/BLUE	MIX SEND MIX MATRIX	2	
WB	WB475300	Button Small	LENS/GREEN	HPF (HPF),ON,UPPER,LOWER, HIGH,LOW (EQUALIZER)	6	
WC	WC309800	Button Small	S GRAY/S_GRAY	PASTE,COPY (CHANNEL SELECT)	2	
WC	WC309900	Button Small	LENS/1D_RED	TO STEREO (STEREO), MIX MASTER	2	
WC	WC310000	Button Small	LENS/G_GRAY	CH 1-24/ST IN/FX RTN, CH 25-48/FX RTN/ST IN, RECALL SAFE (GROUP),ON (DELAY),ON (NOISE GATE), ON (COMPRESSOR), GAIN/ATT (GAIN/ATTENUATION#)	7	
WC	WC310300	Button Small	M GRAY/M_GRAY	DEC,INC (CHANNEL SELECT)	2	
WC	WC310400	Button Small	LENS/M_GRAY	MUTE 1-8,MUTE SAFE (GROUP),PEAK HOLD, # (GAIN/ATTENUATION#)	11	
C101	US145100	Ceramic Capacitor-F (chip)	0.1000 25V Z			01
-104	US145100	Ceramic Capacitor-F (chip)	0.1000 25V Z			01
C105	UF027470	Electrolytic Cap. (chip)	47 10V			01
C106	US145100	Ceramic Capacitor-F (chip)	0.1000 25V Z			01
C107	US145100	Ceramic Capacitor-F (chip)	0.1000 25V Z			01
C108	US062470	Ceramic Capacitor-SL(chip)	470P 50V J			01
C109	UB215100	Monolithic Ceramic Cap.	B 0.100 25V K			01
C110	US063100	Ceramic Capacitor-B (chip)	1000P 50V K			01
-115	US063100	Ceramic Capacitor-B (chip)	1000P 50V K			01
C116	US145100	Ceramic Capacitor-F (chip)	0.1000 25V Z			01
C124	US145100	Ceramic Capacitor-F (chip)	0.1000 25V Z			01
C125	US145100	Ceramic Capacitor-F (chip)	0.1000 25V Z			01
C128	US145100	Ceramic Capacitor-F (chip)	0.1000 25V Z			01
C129	US145100	Ceramic Capacitor-F (chip)	0.1000 25V Z			01
C130	US062100	Ceramic Capacitor-SL(chip)	100P 50V J			01
C131	US064100	Ceramic Capacitor-B (chip)	0.0100 50V K			01
-133	US064100	Ceramic Capacitor-B (chip)	0.0100 50V K			01
C140	US145100	Ceramic Capacitor-F (chip)	0.1000 25V Z			01
C150	US145100	Ceramic Capacitor-F (chip)	0.1000 25V Z			01
-171	US145100	Ceramic Capacitor-F (chip)	0.1000 25V Z			01
C172	WC404500	Electrolytic Cap.-UD(chip)	150.00 10.0V			01
-180	WC404500	Electrolytic Cap.-UD(chip)	150.00 10.0V			01
C181	FG651470	Ceramic Capacitor-SL	47P 50V J			01
C200	US145100	Ceramic Capacitor-F (chip)	0.1000 25V Z			01
-202	US145100	Ceramic Capacitor-F (chip)	0.1000 25V Z			01
C204	US145100	Ceramic Capacitor-F (chip)	0.1000 25V Z			01
C205	US145100	Ceramic Capacitor-F (chip)	0.1000 25V Z			01
C207	US145100	Ceramic Capacitor-F (chip)	0.1000 25V Z			01
C209	US145100	Ceramic Capacitor-F (chip)	0.1000 25V Z			01
-217	US145100	Ceramic Capacitor-F (chip)	0.1000 25V Z			01
C218	US061470	Ceramic Capacitor-CH(chip)	47P 50V J			01
C219	US062100	Ceramic Capacitor-SL(chip)	100P 50V J			01
C250	US145100	Ceramic Capacitor-F (chip)	0.1000 25V Z			01
C251	US145100	Ceramic Capacitor-F (chip)	0.1000 25V Z			01
C300	US145100	Ceramic Capacitor-F (chip)	0.1000 25V Z			01
-320	US145100	Ceramic Capacitor-F (chip)	0.1000 25V Z			01
C350	US061220	Ceramic Capacitor-CH(chip)	22P 50V J			01

* New Parts

RANK: Japan only

PM5D/PM5D-RH

REF NO.	PART NO.	DESCRIPTION		REMARKS	QTY	RANK
-369	U5061220	Ceramic Capacitor-CH(chip)	22P 50V J			01
C400	U5145100	Ceramic Capacitor-F (chip)	0.1000 25V Z			01
C401	U5145100	Ceramic Capacitor-F (chip)	0.1000 25V Z			01
C402	UF037100	Electrolytic Cap. (chip)	10 16V			01
C403	UF037100	Electrolytic Cap. (chip)	10 16V			01
C404	U5145100	Ceramic Capacitor-F (chip)	0.1000 25V Z			01
C405	U5145100	Ceramic Capacitor-F (chip)	0.1000 25V Z			01
C406	UF037100	Electrolytic Cap. (chip)	10 16V			01
C407	UF037100	Electrolytic Cap. (chip)	10 16V			01
C408	U5145100	Ceramic Capacitor-F (chip)	0.1000 25V Z			01
C409	UF037100	Electrolytic Cap. (chip)	10 16V			01
C410	U5145100	Ceramic Capacitor-F (chip)	0.1000 25V Z			01
C411	UF037100	Electrolytic Cap. (chip)	10 16V			01
C412	U5145100	Ceramic Capacitor-F (chip)	0.1000 25V Z			01
C413	UF037100	Electrolytic Cap. (chip)	10 16V			01
C450	U5145100	Ceramic Capacitor-F (chip)	0.1000 25V Z			01
-452	U5145100	Ceramic Capacitor-F (chip)	0.1000 25V Z			01
C800	U5145100	Ceramic Capacitor-F (chip)	0.1000 25V Z			01
-804	U5145100	Ceramic Capacitor-F (chip)	0.1000 25V Z			01
C806	UF128220	Electrolytic Cap. (chip)	220 10V UUR1A2			01
C807	UF028100	Electrolytic Cap. (chip)	100 10V			01
C809	U5064100	Ceramic Capacitor-B (chip)	0.0100 50V K			01
C810	U5063100	Ceramic Capacitor-B (chip)	1000P 50V K			01
-815	U5063100	Ceramic Capacitor-B (chip)	1000P 50V K			01
C816	U5145100	Ceramic Capacitor-F (chip)	0.1000 25V Z			01
C817	U5064100	Ceramic Capacitor-B (chip)	0.0100 50V K			01
C818	U5145100	Ceramic Capacitor-F (chip)	0.1000 25V Z			01
C819	U5145100	Ceramic Capacitor-F (chip)	0.1000 25V Z			01
C900	U5145100	Ceramic Capacitor-F (chip)	0.1000 25V Z			01
-934	U5145100	Ceramic Capacitor-F (chip)	0.1000 25V Z			01
CN100	VB390200	Connector Base Post	PH 6P TE			01
CN101	LB932070	Base Post Connector	VH 7P TE			01
CN450	VK025300	Wire Trap	52147 9P TE			01
CN451	VF667600	Wire Trap	52147 15P TE			01
CN800	VQ047500	Connector, FFC	52045 20P TE			01
CN801	VP327200	Connector, FFC	52045 30P TE			01
D350	VT332900	Diode	1SS355 TE-17			01
-369	VT332900	Diode	1SS355 TE-17			01
D600	VT332900	Diode	1SS355 TE-17			01
EC100	V3750700	Rotary Encoder	EC12E2410401	GAIN (EQ HIGH)		01
EC101	V3750700	Rotary Encoder	EC12E2410401	FREQUENCY (EQ HIGH)		01
EC102	V3750700	Rotary Encoder	EC12E2410401	Q (EQ HIGH)		01
EC103	V3750700	Rotary Encoder	EC12E2410401	GAIN (EQ HIGH MID)		01
EC104	V3750700	Rotary Encoder	EC12E2410401	FREQUENCY (EQ HIGH MID)		01
EC105	V3750700	Rotary Encoder	EC12E2410401	Q (EQ HIGH MID)		01
EC106	V3750700	Rotary Encoder	EC12E2410401	GAIN (EQ LOW MID)		01
EC107	V3750700	Rotary Encoder	EC12E2410401	FREQUENCY (EQ LOW MID)		01
EC108	V3750700	Rotary Encoder	EC12E2410401	Q (EQ LOW MID)		01
EC109	V3750700	Rotary Encoder	EC12E2410401	GAIN (EQ LOW)		01
EC110	V3750700	Rotary Encoder	EC12E2410401	FREQUENCY (EQ LOW)		01
EC111	V3750700	Rotary Encoder	EC12E2410401	Q (EQ LOW)		01
EC112	V3750700	Rotary Encoder	EC12E2410401	THRESHOLD (COMPRESSOR)		01
EC113	V3750700	Rotary Encoder	EC12E2410401	GAIN (COMPRESSOR)		01
EC114	V3750700	Rotary Encoder	EC12E2410401	RATIO (COMPRESSOR)		01
EC115	V3750700	Rotary Encoder	EC12E2410401	RELEASE (COMPRESSOR)		01
EC116	V3750700	Rotary Encoder	EC12E2410401	ATTACK (COMPRESSOR)		01
EC117	V3750700	Rotary Encoder	EC12E2410401	PAN (STEREO)		01
EC118	V3750700	Rotary Encoder	EC12E2410401	FREQUENCY (HPF)		01
EC119	V3750700	Rotary Encoder	EC12E2410401	TIME (DELAY)		01
EC120	V3750700	Rotary Encoder	EC12E2410401	GAIN/ATTENUATION/φ		01
EC121	V3750700	Rotary Encoder	EC12E2410401	ATTACK (NOISE GATE)		01
EC122	V3750700	Rotary Encoder	EC12E2410401	HOLD (NOISE GATE)		01
EC123	V3750700	Rotary Encoder	EC12E2410401	DECAY (NOISE GATE)		01
EC124	V3750700	Rotary Encoder	EC12E2410401	RANGE (NOISE GATE)		01
EC125	V3750700	Rotary Encoder	EC12E2410401	THRESHOLD (NOISE GATE)		01
EM106	VQ761400	EMI Filter (chip)	NFM3DCC101U1H3L			01
-108	VQ761400	EMI Filter (chip)	NFM3DCC101U1H3L			01
EM800	WA093400	LC Filter	ZLSR5101-223TA			01
IC100	XY715A00	IC	HD6437042AF28	CPU V1.01		10
IC182	XV685A00	IC	MBM29F400BC-70PFTN	FLASH ROM 4M		11

*: New Parts

RANK: Japan only

REF NO.	PART NO.	DESCRIPTION		REMARKS	QTY	RANK
IC103	X3292A00	IC	SN74LV244APWR	BUFFER		
IC105	XT015A00	IC	TC74VHC138F	DECODER		02
IC109	XZ217A00	IC	SN74AHC1G08HDCKR	AND		01
IC110	X4852A00	IC	S-80142BMMC-JG3-T2	SYSTEM RESET		
IC150	XV973A00	IC	SGH603064F-62F	GATE ARRAY		07
IC200	X3498A00	IC	S1D13704F00A100	LCD CONTROLLER		08
IC202	XT163A00	IC	TC74HC238AF	TRANSCEIVER		03
IC204	IS007400	IC	HD74LV74AFPEL	D-FF		01
IC205	XY945A00	IC	TC74VHC32FT	OR		01
IC207	X0195A00	IC	TC74VHC04FT	INVERTER		01
IC209	IS059500	IC	HD74LV595AFPEL	REGISTER		02
IC210	XN567A00	IC	TC7WU04F	INVERTER		01
IC211	XN567A00	IC	TC7WU04F	INVERTER		01
IC250	XT015A00	IC	TC74VHC138F	DECODER		02
IC251	X3693A00	IC	SN74LV245APWR	TRANSCEIVER		
IC300	XV013A00	IC	TB62705CF(EL)	LED DRIVER		04
-320	XV013A00	IC	TB62705CF(EL)	LED DRIVER		04
IC400	XV014A00	IC	TD62M8600F	SOURCE DRIVER		05
-406	XV014A00	IC	TD62M8600F	SOURCE DRIVER		05
IC450	X3693A00	IC	SN74LV245APWR	TRANSCEIVER		
-452	X3693A00	IC	SN74LV245APWR	TRANSCEIVER		
IC801	X3693A00	IC	SN74LV245APWR	TRANSCEIVER		
-803	X3693A00	IC	SN74LV245APWR	TRANSCEIVER		
IC804	XT015A00	IC	TC74VHC138F	DECODER		02
IC805	X0638A00	IC	UPC2833AT-E1	REGULATOR +3.3V		03
IC806	XZ377A00	IC	SN74LV21APWR	AND		
IC807	XZ217A00	IC	SN74AHC1G08HDCKR	AND		01
IC900	XT015A00	IC	TC74VHC138F	DECODER		02
IC901	XV973A00	IC	SGH603064F-62F	GATE ARRAY		07
L800	GE300610	Ferrite Bead	BL02RN1-R62T4			01
LD99	V2451300	LED Display	HCM52903	CHANNEL SELECT		12
LD100	WA877100	LED (chip) Orange	TLOU1020(T14,MN)	8 (EQ HIGH Q)		01
LD101	WA877100	LED (chip) Orange	TLOU1020(T14,MN)	7 (EQ HIGH Q)		01
LD102	WA877100	LED (chip) Orange	TLOU1020(T14,MN)	6 (EQ HIGH Q)		01
LD103	WA877100	LED (chip) Orange	TLOU1020(T14,MN)	5 (EQ HIGH Q)		01
LD104	WA877100	LED (chip) Orange	TLOU1020(T14,MN)	4 (EQ HIGH Q)		01
LD105	WA877100	LED (chip) Orange	TLOU1020(T14,MN)	3 (EQ HIGH Q)		01
LD106	WA877100	LED (chip) Orange	TLOU1020(T14,MN)	2 (EQ HIGH Q)		01
LD107	WA877100	LED (chip) Orange	TLOU1020(T14,MN)	1 (EQ HIGH Q)		01
LD108	WA877100	LED (chip) Orange	TLOU1020(T14,MN)	9 (EQ HIGH Q)		01
LD109	WA877100	LED (chip) Orange	TLOU1020(T14,MN)	A (EQ HIGH Q)		01
LD110	WA877100	LED (chip) Orange	TLOU1020(T14,MN)	B (EQ HIGH Q)		01
LD111	WA877100	LED (chip) Orange	TLOU1020(T14,MN)	C (EQ HIGH Q)		01
LD112	WA877100	LED (chip) Orange	TLOU1020(T14,MN)	D (EQ HIGH Q)		01
LD113	WA877100	LED (chip) Orange	TLOU1020(T14,MN)	E (EQ HIGH Q)		01
LD114	WA877100	LED (chip) Orange	TLOU1020(T14,MN)	F (EQ HIGH Q)		01
LD116	WA588100	LED (chip) Green	TLGU1020(T14,KL)	Hz (EQ HIGH)		01
LD118	WA877100	LED (chip) Orange	TLOU1020(T14,MN)	8 (EQ HIGH GAIN)		01
LD117	WA877100	LED (chip) Orange	TLOU1020(T14,MN)	7 (EQ HIGH GAIN)		01
LD118	WA877100	LED (chip) Orange	TLOU1020(T14,MN)	6 (EQ HIGH GAIN)		01
LD119	WA877100	LED (chip) Orange	TLOU1020(T14,MN)	5 (EQ HIGH GAIN)		01
LD120	WA877100	LED (chip) Orange	TLOU1020(T14,MN)	4 (EQ HIGH GAIN)		01
LD121	WA877100	LED (chip) Orange	TLOU1020(T14,MN)	3 (EQ HIGH GAIN)		01
LD122	WA877100	LED (chip) Orange	TLOU1020(T14,MN)	2 (EQ HIGH GAIN)		01
LD123	WA877100	LED (chip) Orange	TLOU1020(T14,MN)	1 (EQ HIGH GAIN)		01
LD124	WA877100	LED (chip) Orange	TLOU1020(T14,MN)	9 (EQ HIGH GAIN)		01
LD125	WA877100	LED (chip) Orange	TLOU1020(T14,MN)	A (EQ HIGH GAIN)		01
LD126	WA877100	LED (chip) Orange	TLOU1020(T14,MN)	B (EQ HIGH GAIN)		01
LD127	WA877100	LED (chip) Orange	TLOU1020(T14,MN)	C (EQ HIGH GAIN)		01
LD128	WA877100	LED (chip) Orange	TLOU1020(T14,MN)	D (EQ HIGH GAIN)		01
LD129	WA877100	LED (chip) Orange	TLOU1020(T14,MN)	E (EQ HIGH GAIN)		01
LD130	WA877100	LED (chip) Orange	TLOU1020(T14,MN)	F (EQ HIGH GAIN)		01
LD131	WA588100	LED (chip) Green	TLGU1020(T14,KL)	Hz (EQ HIGH)		01
LD132	WA877100	LED (chip) Orange	TLOU1020(T14,MN)	8 (EQ HIGH MID Q)		01
LD133	WA877100	LED (chip) Orange	TLOU1020(T14,MN)	7 (EQ HIGH MID Q)		01
LD134	WA877100	LED (chip) Orange	TLOU1020(T14,MN)	6 (EQ HIGH MID Q)		01
LD135	WA877100	LED (chip) Orange	TLOU1020(T14,MN)	5 (EQ HIGH MID Q)		01
LD136	WA877100	LED (chip) Orange	TLOU1020(T14,MN)	4 (EQ HIGH MID Q)		01
LD137	WA877100	LED (chip) Orange	TLOU1020(T14,MN)	3 (EQ HIGH MID Q)		01
LD138	WA877100	LED (chip) Orange	TLOU1020(T14,MN)	2 (EQ HIGH MID Q)		01

* New Parts

RANK: Japan only

REF NO.	PART NO.	DESCRIPTION	REMARKS	QTY	RANK	
LD209	WA877100	LED (chip) Orange	TLOU1020(T14,MN)		E (EQ LOW Q)	01
LD210	WA877100	LED (chip) Orange	TLOU1020(T14,MN)		F (EQ LOW Q)	01
LD211	WA588100	LED (chip) Green	TLGU1020(T14,KL)		KHz (EQ LOW)	01
LD212	WA877100	LED (chip) Orange	TLOU1020(T14,MN)		8 (EQ LOW GAIN)	01
LD213	WA877100	LED (chip) Orange	TLOU1020(T14,MN)		7 (EQ LOW GAIN)	01
LD214	WA877100	LED (chip) Orange	TLOU1020(T14,MN)		6 (EQ LOW GAIN)	01
LD215	WA877100	LED (chip) Orange	TLOU1020(T14,MN)		5 (EQ LOW GAIN)	01
LD216	WA877100	LED (chip) Orange	TLOU1020(T14,MN)		4 (EQ LOW GAIN)	01
LD217	WA877100	LED (chip) Orange	TLOU1020(T14,MN)		3 (EQ LOW GAIN)	01
LD218	WA877100	LED (chip) Orange	TLOU1020(T14,MN)		2 (EQ LOW GAIN)	01
LD219	WA877100	LED (chip) Orange	TLOU1020(T14,MN)		1 (EQ LOW GAIN)	01
LD220	WA877100	LED (chip) Orange	TLOU1020(T14,MN)		9 (EQ LOW GAIN)	01
LD221	WA877100	LED (chip) Orange	TLOU1020(T14,MN)		A (EQ LOW GAIN)	01
LD222	WA877100	LED (chip) Orange	TLOU1020(T14,MN)		B (EQ LOW GAIN)	01
LD223	WA877100	LED (chip) Orange	TLOU1020(T14,MN)		C (EQ LOW GAIN)	01
LD224	WA877100	LED (chip) Orange	TLOU1020(T14,MN)		D (EQ LOW GAIN)	01
LD225	WA877100	LED (chip) Orange	TLOU1020(T14,MN)		E (EQ LOW GAIN)	01
LD226	WA877100	LED (chip) Orange	TLOU1020(T14,MN)		F (EQ LOW GAIN)	01
LD227	WA588100	LED (chip) Green	TLGU1020(T14,KL)		Hz (EQ LOW)	01
LD228	WA588100	LED (chip) Green	TLGU1020(T14,KL)		INPUT (CHANNEL SELECT)	01
LD229	WA877100	LED (chip) Orange	TLOU1020(T14,MN)		OUTPUT (CHANNEL SELECT)	01
LD230	WA877100	LED (chip) Orange	TLOU1020(T14,MN)		TO STEREO (STEREO)	01
LD231	WA877100	LED (chip) Orange	TLOU1020(T14,MN)		HPF (HPF)	01
LD232	WA877100	LED (chip) Orange	TLOU1020(T14,MN)		ON (EQUALIZER)	01
LD233	WA877100	LED (chip) Orange	TLOU1020(T14,MN)		UPPER (EQUALIZER)	01
LD234	WA877100	LED (chip) Orange	TLOU1020(T14,MN)		LOWER (EQUALIZER)	01
LD235	WA877100	LED (chip) Orange	TLOU1020(T14,MN)		HIGH (EQUALIZER)	01
LD236	WA877100	LED (chip) Orange	TLOU1020(T14,MN)		8 (STEREO PAN)	01
LD237	WA877100	LED (chip) Orange	TLOU1020(T14,MN)		7 (STEREO PAN)	01
LD238	WA877100	LED (chip) Orange	TLOU1020(T14,MN)		6 (STEREO PAN)	01
LD239	WA877100	LED (chip) Orange	TLOU1020(T14,MN)		5 (STEREO PAN)	01
LD240	WA877100	LED (chip) Orange	TLOU1020(T14,MN)		4 (STEREO PAN)	01
LD241	WA877100	LED (chip) Orange	TLOU1020(T14,MN)		3 (STEREO PAN)	01
LD242	WA877100	LED (chip) Orange	TLOU1020(T14,MN)		2 (STEREO PAN)	01
LD243	WA877100	LED (chip) Orange	TLOU1020(T14,MN)		1 (STEREO PAN)	01
LD244	WA877100	LED (chip) Orange	TLOU1020(T14,MN)		9 (STEREO PAN)	01
LD245	WA877100	LED (chip) Orange	TLOU1020(T14,MN)		A (STEREO PAN)	01
LD246	WA877100	LED (chip) Orange	TLOU1020(T14,MN)		B (STEREO PAN)	01
LD247	WA877100	LED (chip) Orange	TLOU1020(T14,MN)		C (STEREO PAN)	01
LD248	WA877100	LED (chip) Orange	TLOU1020(T14,MN)		D (STEREO PAN)	01
LD249	WA877100	LED (chip) Orange	TLOU1020(T14,MN)		E (STEREO PAN)	01
LD250	WA877100	LED (chip) Orange	TLOU1020(T14,MN)		F (STEREO PAN)	01
LD252	WA877100	LED (chip) Orange	TLOU1020(T14,MN)		sec (COMPRESSOR RELEASE)	01
LD253	WA877100	LED (chip) Orange	TLOU1020(T14,MN)		msec (COMPRESSOR RELEASE)	01
LD254	WA877100	LED (chip) Orange	TLOU1020(T14,MN)		GR 0 (COMPRESSOR)	01
LD255	WA877100	LED (chip) Orange	TLOU1020(T14,MN)		GR 3 (COMPRESSOR)	01
LD256	WA877100	LED (chip) Orange	TLOU1020(T14,MN)		GR 6 (COMPRESSOR)	01
LD257	WA877100	LED (chip) Orange	TLOU1020(T14,MN)		GR 10 (COMPRESSOR)	01
LD258	WA877100	LED (chip) Orange	TLOU1020(T14,MN)		GR 20 (COMPRESSOR)	01
LD259	WA877100	LED (chip) Orange	TLOU1020(T14,MN)		GR 30 (COMPRESSOR)	01
LD260	WA877100	LED (chip) Orange	TLOU1020(T14,MN)		8 (COMPRESSOR GAIN)	01
LD261	WA877100	LED (chip) Orange	TLOU1020(T14,MN)		7 (COMPRESSOR GAIN)	01
LD262	WA877100	LED (chip) Orange	TLOU1020(T14,MN)		6 (COMPRESSOR GAIN)	01
LD263	WA877100	LED (chip) Orange	TLOU1020(T14,MN)		5 (COMPRESSOR GAIN)	01
LD264	WA877100	LED (chip) Orange	TLOU1020(T14,MN)		4 (COMPRESSOR GAIN)	01
LD265	WA877100	LED (chip) Orange	TLOU1020(T14,MN)		3 (COMPRESSOR GAIN)	01
LD266	WA877100	LED (chip) Orange	TLOU1020(T14,MN)		2 (COMPRESSOR GAIN)	01
LD267	WA877100	LED (chip) Orange	TLOU1020(T14,MN)		1 (COMPRESSOR GAIN)	01
LD268	WA877100	LED (chip) Orange	TLOU1020(T14,MN)		9 (COMPRESSOR GAIN)	01
LD269	WA877100	LED (chip) Orange	TLOU1020(T14,MN)		A (COMPRESSOR GAIN)	01
LD270	WA877100	LED (chip) Orange	TLOU1020(T14,MN)		B (COMPRESSOR GAIN)	01
LD271	WA877100	LED (chip) Orange	TLOU1020(T14,MN)		C (COMPRESSOR GAIN)	01
LD272	WA877100	LED (chip) Orange	TLOU1020(T14,MN)		D (COMPRESSOR GAIN)	01
LD273	WA877100	LED (chip) Orange	TLOU1020(T14,MN)		E (COMPRESSOR GAIN)	01
LD274	WA877100	LED (chip) Orange	TLOU1020(T14,MN)		F (COMPRESSOR GAIN)	01
LD275	WA877100	LED (chip) Orange	TLOU1020(T14,MN)		LOW (EQUALIZER)	01
LD276	WA877100	LED (chip) Orange	TLOU1020(T14,MN)		8 (COMPRESSOR THRESHOLD)	01
LD277	WA877100	LED (chip) Orange	TLOU1020(T14,MN)		7 (COMPRESSOR THRESHOLD)	01
LD278	WA877100	LED (chip) Orange	TLOU1020(T14,MN)		6 (COMPRESSOR THRESHOLD)	01
LD279	WA877100	LED (chip) Orange	TLOU1020(T14,MN)		5 (COMPRESSOR THRESHOLD)	01

* New Parts

RANK: Japan only

REF NO.	PART NO.	DESCRIPTION	REMARKS	QTY	RANK
LD280	WA877100	LED (chip) Orange	TLOU1020(T14,MN)	4 (COMPRESSOR THRESHOLD)	01
LD281	WA877100	LED (chip) Orange	TLOU1020(T14,MN)	3 (COMPRESSOR THRESHOLD)	01
LD282	WA877100	LED (chip) Orange	TLOU1020(T14,MN)	2 (COMPRESSOR THRESHOLD)	01
LD283	WA877100	LED (chip) Orange	TLOU1020(T14,MN)	1 (COMPRESSOR THRESHOLD)	01
LD284	WA877100	LED (chip) Orange	TLOU1020(T14,MN)	9 (COMPRESSOR THRESHOLD)	01
LD285	WA877100	LED (chip) Orange	TLOU1020(T14,MN)	A (COMPRESSOR THRESHOLD)	01
LD286	WA877100	LED (chip) Orange	TLOU1020(T14,MN)	B (COMPRESSOR THRESHOLD)	01
LD287	WA877100	LED (chip) Orange	TLOU1020(T14,MN)	C (COMPRESSOR THRESHOLD)	01
LD288	WA877100	LED (chip) Orange	TLOU1020(T14,MN)	D (COMPRESSOR THRESHOLD)	01
LD289	WA877100	LED (chip) Orange	TLOU1020(T14,MN)	E (COMPRESSOR THRESHOLD)	01
LD290	WA877100	LED (chip) Orange	TLOU1020(T14,MN)	F (COMPRESSOR THRESHOLD)	01
LD291	WA877100	LED (chip) Orange	TLOU1020(T14,MN)	ON (COMPRESSOR)	01
LD300	WA877100	LED (chip) Orange	TLOU1020(T14,MN)	sec (NOISE GATE HOLD)	01
LD301	WA877100	LED (chip) Orange	TLOU1020(T14,MN)	msec (NOISE GATE HOLD)	01
LD302	WA587900	LED (chip) Red	TLSU1020(T14,MN)	GR 0 (NOISE GATE)	01
LD303	WA587900	LED (chip) Red	TLSU1020(T14,MN)	GR 3 (NOISE GATE)	01
LD304	WA587900	LED (chip) Red	TLSU1020(T14,MN)	GR 6 (NOISE GATE)	01
LD305	WA587900	LED (chip) Red	TLSU1020(T14,MN)	GR 10 (NOISE GATE)	01
LD306	WA587900	LED (chip) Red	TLSU1020(T14,MN)	GR 20 (NOISE GATE)	01
LD307	WA587900	LED (chip) Red	TLSU1020(T14,MN)	GR 30 (NOISE GATE)	01
LD308	WA877100	LED (chip) Orange	TLOU1020(T14,MN)	6 (NOISE GATE RANGE)	01
LD309	WA877100	LED (chip) Orange	TLOU1020(T14,MN)	7 (NOISE GATE RANGE)	01
LD310	WA877100	LED (chip) Orange	TLOU1020(T14,MN)	6 (NOISE GATE RANGE)	01
LD311	WA877100	LED (chip) Orange	TLOU1020(T14,MN)	5 (NOISE GATE RANGE)	01
LD312	WA877100	LED (chip) Orange	TLOU1020(T14,MN)	4 (NOISE GATE RANGE)	01
LD313	WA877100	LED (chip) Orange	TLOU1020(T14,MN)	3 (NOISE GATE RANGE)	01
LD314	WA877100	LED (chip) Orange	TLOU1020(T14,MN)	2 (NOISE GATE RANGE)	01
LD315	WA877100	LED (chip) Orange	TLOU1020(T14,MN)	1 (NOISE GATE RANGE)	01
LD316	WA877100	LED (chip) Orange	TLOU1020(T14,MN)	9 (NOISE GATE RANGE)	01
LD317	WA877100	LED (chip) Orange	TLOU1020(T14,MN)	A (NOISE GATE RANGE)	01
LD318	WA877100	LED (chip) Orange	TLOU1020(T14,MN)	B (NOISE GATE RANGE)	01
LD319	WA877100	LED (chip) Orange	TLOU1020(T14,MN)	C (NOISE GATE RANGE)	01
LD320	WA877100	LED (chip) Orange	TLOU1020(T14,MN)	D (NOISE GATE RANGE)	01
LD321	WA877100	LED (chip) Orange	TLOU1020(T14,MN)	E (NOISE GATE RANGE)	01
LD322	WA877100	LED (chip) Orange	TLOU1020(T14,MN)	F (NOISE GATE RANGE)	01
LD324	WA877100	LED (chip) Orange	TLOU1020(T14,MN)	8 (NOISE GATE THRESHOLD)	01
LD325	WA877100	LED (chip) Orange	TLOU1020(T14,MN)	7 (NOISE GATE THRESHOLD)	01
LD326	WA877100	LED (chip) Orange	TLOU1020(T14,MN)	6 (NOISE GATE THRESHOLD)	01
LD327	WA877100	LED (chip) Orange	TLOU1020(T14,MN)	5 (NOISE GATE THRESHOLD)	01
LD328	WA877100	LED (chip) Orange	TLOU1020(T14,MN)	4 (NOISE GATE THRESHOLD)	01
LD329	WA877100	LED (chip) Orange	TLOU1020(T14,MN)	3 (NOISE GATE THRESHOLD)	01
LD330	WA877100	LED (chip) Orange	TLOU1020(T14,MN)	2 (NOISE GATE THRESHOLD)	01
LD331	WA877100	LED (chip) Orange	TLOU1020(T14,MN)	1 (NOISE GATE THRESHOLD)	01
LD332	WA877100	LED (chip) Orange	TLOU1020(T14,MN)	9 (NOISE GATE THRESHOLD)	01
LD333	WA877100	LED (chip) Orange	TLOU1020(T14,MN)	A (NOISE GATE THRESHOLD)	01
LD334	WA877100	LED (chip) Orange	TLOU1020(T14,MN)	B (NOISE GATE THRESHOLD)	01
LD336	WA877100	LED (chip) Orange	TLOU1020(T14,MN)	C (NOISE GATE THRESHOLD)	01
LD336	WA877100	LED (chip) Orange	TLOU1020(T14,MN)	D (NOISE GATE THRESHOLD)	01
LD337	WA877100	LED (chip) Orange	TLOU1020(T14,MN)	E (NOISE GATE THRESHOLD)	01
LD338	WA877100	LED (chip) Orange	TLOU1020(T14,MN)	F (NOISE GATE THRESHOLD)	01
LD339	WA877100	LED (chip) Orange	TLOU1020(T14,MN)	ON (NOISE GATE)	01
LD340	WA587900	LED (chip) Red	TLSU1020(T14,MN)	φ (GAIN/ATTENUATION#)	01
LD341	WC153200	LED (chip) Yellow	TLYV1020(T14,JK)	GAIN/ATT (GAIN/ATTENUATION#)	01
LD342	WA877100	LED (chip) Orange	TLOU1020(T14,MN)	sec (NOISE GATE DECAY)	01
LD343	WA877100	LED (chip) Orange	TLOU1020(T14,MN)	msec (NOISE GATE DECAY)	01
LD344	WA877100	LED (chip) Orange	TLOU1020(T14,MN)	CH 1-24/ST IN/FX RTN	01
LD345	WA877100	LED (chip) Orange	TLOU1020(T14,MN)	CH 25-48/FX RTN/ST IN	01
LD346	WA877100	LED (chip) Orange	TLOU1020(T14,MN)	PEAK HOLD	01
LD347	WA877100	LED (chip) Orange	TLOU1020(T14,MN)	MIX MATRIX	01
LD348	WA877100	LED (chip) Orange	TLOU1020(T14,MN)	8 (GAIN/ATTENUATION#)	01
LD349	WA877100	LED (chip) Orange	TLOU1020(T14,MN)	7 (GAIN/ATTENUATION#)	01
LD350	WA877100	LED (chip) Orange	TLOU1020(T14,MN)	6 (GAIN/ATTENUATION#)	01
LD351	WA877100	LED (chip) Orange	TLOU1020(T14,MN)	5 (GAIN/ATTENUATION#)	01
LD352	WA877100	LED (chip) Orange	TLOU1020(T14,MN)	4 (GAIN/ATTENUATION#)	01
LD353	WA877100	LED (chip) Orange	TLOU1020(T14,MN)	3 (GAIN/ATTENUATION#)	01
LD354	WA877100	LED (chip) Orange	TLOU1020(T14,MN)	2 (GAIN/ATTENUATION#)	01
LD355	WA877100	LED (chip) Orange	TLOU1020(T14,MN)	1 (GAIN/ATTENUATION#)	01
LD356	WA877100	LED (chip) Orange	TLOU1020(T14,MN)	9 (GAIN/ATTENUATION#)	01
LD357	WA877100	LED (chip) Orange	TLOU1020(T14,MN)	A (GAIN/ATTENUATION#)	01
LD358	WA877100	LED (chip) Orange	TLOU1020(T14,MN)	B (GAIN/ATTENUATION#)	01

*: New Parts

RANK: Japan only

REF NO.	PART NO.	DESCRIPTION	REMARKS	QTY	NAME	
LD359	WA877100	LED (chip) Orange	TLOU1020(T14,MN)		C (GAIN/ATTENUATION)φ	01
LD360	WA877100	LED (chip) Orange	TLOU1020(T14,MN)		D (GAIN/ATTENUATION)φ	01
LD361	WA877100	LED (chip) Orange	TLOU1020(T14,MN)		E (GAIN/ATTENUATION)φ	01
LD362	WA877100	LED (chip) Orange	TLOU1020(T14,MN)		F (GAIN/ATTENUATION)φ	01
LD363	WA877100	LED (chip) Orange	TLOU1020(T14,MN)		ON (DELAY)	01
LD364	WC153200	LED (chip) Yellow	TLVY1020(T14,JK)		DCA 1 (GROUP)	
LD365	WC153200	LED (chip) Yellow	TLVY1020(T14,JK)		DCA 2 (GROUP)	
LD366	WC153200	LED (chip) Yellow	TLVY1020(T14,JK)		DCA 3 (GROUP)	
LD367	WC153200	LED (chip) Yellow	TLVY1020(T14,JK)		DCA 4 (GROUP)	
LD368	WC153200	LED (chip) Yellow	TLVY1020(T14,JK)		DCA 5 (GROUP)	
LD369	WC153200	LED (chip) Yellow	TLVY1020(T14,JK)		DCA 5 (GROUP)	
LD370	WC153200	LED (chip) Yellow	TLVY1020(T14,JK)		DCA 7 (GROUP)	
LD371	WC153200	LED (chip) Yellow	TLVY1020(T14,JK)		DCA 8 (GROUP)	
LD372	WA587900	LED (chip) Red	TLSU1020(T14,MN)		MUTE 1 (GROUP)	01
LD373	WA587900	LED (chip) Red	TLSU1020(T14,MN)		MUTE 2 (GROUP)	01
LD374	WA587900	LED (chip) Red	TLSU1020(T14,MN)		MUTE 3 (GROUP)	01
LD375	WA587900	LED (chip) Red	TLSU1020(T14,MN)		MUTE 4 (GROUP)	01
LD376	WA587900	LED (chip) Red	TLSU1020(T14,MN)		MUTE 5 (GROUP)	01
LD377	WA587900	LED (chip) Red	TLSU1020(T14,MN)		MUTE 6 (GROUP)	01
LD378	WA587900	LED (chip) Red	TLSU1020(T14,MN)		MUTE 7 (GROUP)	01
LD379	WA587900	LED (chip) Red	TLSU1020(T14,MN)		MUTE 8 (GROUP)	01
LD380	WA877100	LED (chip) Orange	TLOU1020(T14,MN)		-12 (GROUP)	01
LD381	WA877100	LED (chip) Orange	TLOU1020(T14,MN)		-15 (GROUP)	01
LD382	WA877100	LED (chip) Orange	TLOU1020(T14,MN)		-18 (GROUP)	01
LD383	WA588100	LED (chip) Green	TLGU1020(T14,KL)		-24 (GROUP)	01
LD384	WA588100	LED (chip) Green	TLGU1020(T14,KL)		-30 (GROUP)	01
LD385	WA588100	LED (chip) Green	TLGU1020(T14,KL)		-40 (GROUP)	01
LD386	WA588100	LED (chip) Green	TLGU1020(T14,KL)		-50 (GROUP)	01
LD387	WA588100	LED (chip) Green	TLGU1020(T14,KL)		-60 (GROUP)	01
LD388	WA877100	LED (chip) Orange	TLOU1020(T14,MN)		MIX SEND	01
LD389	WA587900	LED (chip) Red	TLSU1020(T14,MN)		MIX MASTER	01
LD390	WA877100	LED (chip) Orange	TLOU1020(T14,MN)		RECALL SAFE (GROUP)	01
LD391	WA587900	LED (chip) Red	TLSU1020(T14,MN)		MUTE SAFE (GROUP)	01
LD392	WA587900	LED (chip) Red	TLSU1020(T14,MN)		OVER (GROUP)	01
LD393	WA877100	LED (chip) Orange	TLOU1020(T14,MN)		3 (GROUP)	01
LD394	WA877100	LED (chip) Orange	TLOU1020(T14,MN)		6 (GROUP)	01
LD395	WA877100	LED (chip) Orange	TLOU1020(T14,MN)		-9 (GROUP)	01
LD396	WA588100	LED (chip) Green	TLGU1020(T14,KL)		60 (CH 17/41)	01
LD397	WA588100	LED (chip) Green	TLGU1020(T14,KL)		60 (CH 18/42)	01
LD398	WA588100	LED (chip) Green	TLGU1020(T14,KL)		60 (CH 19/43)	01
LD399	WA588100	LED (chip) Green	TLGU1020(T14,KL)		60 (CH 20/44)	01
LD400	WA588100	LED (chip) Green	TLGU1020(T14,KL)		60 (CH 21/45)	01
LD401	WA588100	LED (chip) Green	TLGU1020(T14,KL)		60 (CH 22/46)	01
LD402	WA588100	LED (chip) Green	TLGU1020(T14,KL)		60 (CH 23/47)	01
LD403	WA588100	LED (chip) Green	TLGU1020(T14,KL)		60 (CH 24/48)	01
LD404	WA588100	LED (chip) Green	TLGU1020(T14,KL)		50 (CH 17/41)	01
LD405	WA588100	LED (chip) Green	TLGU1020(T14,KL)		50 (CH 18/42)	01
LD406	WA588100	LED (chip) Green	TLGU1020(T14,KL)		50 (CH 19/43)	01
LD407	WA588100	LED (chip) Green	TLGU1020(T14,KL)		50 (CH 20/44)	01
LD408	WA588100	LED (chip) Green	TLGU1020(T14,KL)		50 (CH 21/45)	01
LD409	WA588100	LED (chip) Green	TLGU1020(T14,KL)		50 (CH 22/46)	01
LD410	WA588100	LED (chip) Green	TLGU1020(T14,KL)		50 (CH 23/47)	01
LD411	WA588100	LED (chip) Green	TLGU1020(T14,KL)		50 (CH 24/48)	01
LD412	WA588100	LED (chip) Green	TLGU1020(T14,KL)		40 (CH 17/41)	01
LD413	WA588100	LED (chip) Green	TLGU1020(T14,KL)		40 (CH 18/42)	01
LD414	WA588100	LED (chip) Green	TLGU1020(T14,KL)		40 (CH 19/43)	01
LD415	WA588100	LED (chip) Green	TLGU1020(T14,KL)		40 (CH 20/44)	01
LD416	WA588100	LED (chip) Green	TLGU1020(T14,KL)		40 (CH 21/45)	01
LD417	WA588100	LED (chip) Green	TLGU1020(T14,KL)		40 (CH 22/46)	01
LD418	WA588100	LED (chip) Green	TLGU1020(T14,KL)		40 (CH 23/47)	01
LD419	WA588100	LED (chip) Green	TLGU1020(T14,KL)		40 (CH 24/48)	01
LD420	WA588100	LED (chip) Green	TLGU1020(T14,KL)		-30 (CH 17/41)	01
LD421	WA588100	LED (chip) Green	TLGU1020(T14,KL)		-30 (CH 18/42)	01
LD422	WA588100	LED (chip) Green	TLGU1020(T14,KL)		-30 (CH 19/43)	01
LD423	WA588100	LED (chip) Green	TLGU1020(T14,KL)		-30 (CH 20/44)	01
LD424	WA588100	LED (chip) Green	TLGU1020(T14,KL)		-30 (CH 21/45)	01
LD425	WA588100	LED (chip) Green	TLGU1020(T14,KL)		-30 (CH 22/46)	01
LD426	WA588100	LED (chip) Green	TLGU1020(T14,KL)		-30 (CH 23/47)	01
LD427	WA588100	LED (chip) Green	TLGU1020(T14,KL)		-30 (CH 24/48)	01
LD428	WA588100	LED (chip) Green	TLGU1020(T14,KL)		-24 (CH 17/41)	01

* New Parts

RANK: Japan only

PM5D/PM5D-RH

REF. NO.	PART NO.	DESCRIPTION	REMARKS	QTY	RANK
LD429	WA588100	LED (chip) Green	TLGU1020(T14,KL)	-24 (CH 18/42)	01
LD430	WA588100	LED (chip) Green	TLGU1020(T14,KL)	-24 (CH 19/43)	01
LD431	WA588100	LED (chip) Green	TLGU1020(T14,KL)	-24 (CH 20/44)	01
LD432	WA588100	LED (chip) Green	TLGU1020(T14,KL)	-24 (CH 21/45)	01
LD433	WA588100	LED (chip) Green	TLGU1020(T14,KL)	-24 (CH 22/46)	01
LD434	WA588100	LED (chip) Green	TLGU1020(T14,KL)	-24 (CH 23/47)	01
LD435	WA588100	LED (chip) Green	TLGU1020(T14,KL)	-24 (CH 24/48)	01
LD436	WA877100	LED (chip) Orange	TLOU1020(T14,MN)	-18 (CH 17/41)	01
LD437	WA877100	LED (chip) Orange	TLOU1020(T14,MN)	-18 (CH 18/42)	01
LD438	WA877100	LED (chip) Orange	TLOU1020(T14,MN)	-18 (CH 19/43)	01
LD439	WA877100	LED (chip) Orange	TLOU1020(T14,MN)	-18 (CH 20/44)	01
LD440	WA877100	LED (chip) Orange	TLOU1020(T14,MN)	-18 (CH 21/45)	01
LD441	WA877100	LED (chip) Orange	TLOU1020(T14,MN)	-18 (CH 22/46)	01
LD442	WA877100	LED (chip) Orange	TLOU1020(T14,MN)	-18 (CH 23/47)	01
LD443	WA877100	LED (chip) Orange	TLOU1020(T14,MN)	-18 (CH 24/48)	01
LD444	WA877100	LED (chip) Orange	TLOU1020(T14,MN)	-15 (CH 17/41)	01
LD445	WA877100	LED (chip) Orange	TLOU1020(T14,MN)	-15 (CH 18/42)	01
LD446	WA877100	LED (chip) Orange	TLOU1020(T14,MN)	-15 (CH 19/43)	01
LD447	WA877100	LED (chip) Orange	TLOU1020(T14,MN)	-15 (CH 20/44)	01
LD448	WA877100	LED (chip) Orange	TLOU1020(T14,MN)	-15 (CH 21/45)	01
LD449	WA877100	LED (chip) Orange	TLOU1020(T14,MN)	-15 (CH 22/46)	01
LD450	WA877100	LED (chip) Orange	TLOU1020(T14,MN)	-15 (CH 23/47)	01
LD451	WA877100	LED (chip) Orange	TLOU1020(T14,MN)	-15 (CH 24/48)	01
LD452	WA877100	LED (chip) Orange	TLOU1020(T14,MN)	-12 (CH 17/41)	01
LD453	WA877100	LED (chip) Orange	TLOU1020(T14,MN)	-12 (CH 18/42)	01
LD454	WA877100	LED (chip) Orange	TLOU1020(T14,MN)	-12 (CH 19/43)	01
LD455	WA877100	LED (chip) Orange	TLOU1020(T14,MN)	-12 (CH 20/44)	01
LD456	WA877100	LED (chip) Orange	TLOU1020(T14,MN)	-12 (CH 21/45)	01
LD457	WA877100	LED (chip) Orange	TLOU1020(T14,MN)	-12 (CH 22/46)	01
LD458	WA877100	LED (chip) Orange	TLOU1020(T14,MN)	-12 (CH 23/47)	01
LD459	WA877100	LED (chip) Orange	TLOU1020(T14,MN)	-12 (CH 24/48)	01
LD460	WA877100	LED (chip) Orange	TLOU1020(T14,MN)	-9 (CH 17/41)	01
LD461	WA877100	LED (chip) Orange	TLOU1020(T14,MN)	-9 (CH 18/42)	01
LD462	WA877100	LED (chip) Orange	TLOU1020(T14,MN)	-9 (CH 19/43)	01
LD463	WA877100	LED (chip) Orange	TLOU1020(T14,MN)	-9 (CH 20/44)	01
LD464	WA877100	LED (chip) Orange	TLOU1020(T14,MN)	-9 (CH 21/45)	01
LD465	WA877100	LED (chip) Orange	TLOU1020(T14,MN)	-9 (CH 22/46)	01
LD466	WA877100	LED (chip) Orange	TLOU1020(T14,MN)	-9 (CH 23/47)	01
LD467	WA877100	LED (chip) Orange	TLOU1020(T14,MN)	-9 (CH 24/48)	01
LD468	WA877100	LED (chip) Orange	TLOU1020(T14,MN)	-6 (CH 17/41)	01
LD469	WA877100	LED (chip) Orange	TLOU1020(T14,MN)	-6 (CH 18/42)	01
LD470	WA877100	LED (chip) Orange	TLOU1020(T14,MN)	-6 (CH 19/43)	01
LD471	WA877100	LED (chip) Orange	TLOU1020(T14,MN)	-6 (CH 20/44)	01
LD472	WA877100	LED (chip) Orange	TLOU1020(T14,MN)	-6 (CH 21/45)	01
LD473	WA877100	LED (chip) Orange	TLOU1020(T14,MN)	-6 (CH 22/46)	01
LD474	WA877100	LED (chip) Orange	TLOU1020(T14,MN)	-6 (CH 23/47)	01
LD475	WA877100	LED (chip) Orange	TLOU1020(T14,MN)	-6 (CH 24/48)	01
LD476	WA877100	LED (chip) Orange	TLOU1020(T14,MN)	-3 (CH 17/41)	01
LD477	WA877100	LED (chip) Orange	TLOU1020(T14,MN)	-3 (CH 18/42)	01
LD478	WA877100	LED (chip) Orange	TLOU1020(T14,MN)	-3 (CH 19/43)	01
LD479	WA877100	LED (chip) Orange	TLOU1020(T14,MN)	-3 (CH 20/44)	01
LD480	WA877100	LED (chip) Orange	TLOU1020(T14,MN)	-3 (CH 21/45)	01
LD481	WA877100	LED (chip) Orange	TLOU1020(T14,MN)	-3 (CH 22/46)	01
LD482	WA877100	LED (chip) Orange	TLOU1020(T14,MN)	-3 (CH 23/47)	01
LD483	WA877100	LED (chip) Orange	TLOU1020(T14,MN)	-3 (CH 24/48)	01
LD484	WA587900	LED (chip) Red	TLSU1020(T14,MN)	OVER (CH 17/41)	01
LD485	WA587900	LED (chip) Red	TLSU1020(T14,MN)	OVER (CH 18/42)	01
LD486	WA587900	LED (chip) Red	TLSU1020(T14,MN)	OVER (CH 19/43)	01
LD487	WA587900	LED (chip) Red	TLSU1020(T14,MN)	OVER (CH 20/44)	01
LD488	WA587900	LED (chip) Red	TLSU1020(T14,MN)	OVER (CH 21/45)	01
LD489	WA587900	LED (chip) Red	TLSU1020(T14,MN)	OVER (CH 22/46)	01
LD490	WA587900	LED (chip) Red	TLSU1020(T14,MN)	OVER (CH 23/47)	01
LD491	WA587900	LED (chip) Red	TLSU1020(T14,MN)	OVER (CH 24/48)	01
* LD500	WA846900	LED Display	LB-303MA	EQ LOW FREQUENCY	
* LD501	WA846900	LED Display	LB-303MA	EQ LOW MID FREQUENCY	
* LD502	WA846900	LED Display	LB-303MA	EQ HIGH MID FREQUENCY	
* LD503	WA846900	LED Display	LB-303MA	EQ HIGH FREQUENCY	
* LD504	WA846900	LED Display	LB-303MA	HPF FREQUENCY	
LD505	V5526400	LED Display	LB-303DA	DELAY	06
LD506	V5526400	LED Display	LB-303DA	COMPRESSOR ATTACK	06

*: New Parts

RANK: Japan only

REF NO.	PART NO.	DESCRIPTION	REMARKS	QTY	NAME
LD507	V5526400	LED Display	LB-303DA		COMPRESSOR RELEASE
LD508	V5526400	LED Display	LB-303DA		COMPRESSOR RATIO
LD509	V5526400	LED Display	LB-303DA		NOISE GATE ATTACK
LD510	V5526400	LED Display	LB-303DA		NOISE GATE HOLD
LD511	V5526400	LED Display	LB-303DA		NOISE GATE DECAY
LD512	V7718600	LED Display	LB-502DD		CHANNEL SELECT
LD600	WA588100	LED (chip) Green	TLGU1020(T14,KL)		60 (CH 1/25)
LD601	WA588100	LED (chip) Green	TLGU1020(T14,KL)		60 (CH 2/26)
LD602	WA588100	LED (chip) Green	TLGU1020(T14,KL)		60 (CH 3/27)
LD603	WA588100	LED (chip) Green	TLGU1020(T14,KL)		60 (CH 4/28)
LD604	WA588100	LED (chip) Green	TLGU1020(T14,KL)		60 (CH 5/29)
LD605	WA588100	LED (chip) Green	TLGU1020(T14,KL)		60 (CH 6/30)
LD606	WA588100	LED (chip) Green	TLGU1020(T14,KL)		60 (CH 7/31)
LD607	WA588100	LED (chip) Green	TLGU1020(T14,KL)		60 (CH 8/32)
LD608	WA588100	LED (chip) Green	TLGU1020(T14,KL)		50 (CH 1/25)
LD609	WA588100	LED (chip) Green	TLGU1020(T14,KL)		50 (CH 2/26)
LD610	WA588100	LED (chip) Green	TLGU1020(T14,KL)		50 (CH 3/27)
LD611	WA588100	LED (chip) Green	TLGU1020(T14,KL)		50 (CH 4/28)
LD612	WA588100	LED (chip) Green	TLGU1020(T14,KL)		50 (CH 5/29)
LD613	WA588100	LED (chip) Green	TLGU1020(T14,KL)		50 (CH 6/30)
LD614	WA588100	LED (chip) Green	TLGU1020(T14,KL)		50 (CH 7/31)
LD615	WA588100	LED (chip) Green	TLGU1020(T14,KL)		50 (CH 8/32)
LD616	WA588100	LED (chip) Green	TLGU1020(T14,KL)		40 (CH 1/25)
LD617	WA588100	LED (chip) Green	TLGU1020(T14,KL)		40 (CH 2/26)
LD618	WA588100	LED (chip) Green	TLGU1020(T14,KL)		40 (CH 3/27)
LD619	WA588100	LED (chip) Green	TLGU1020(T14,KL)		40 (CH 4/28)
LD620	WA588100	LED (chip) Green	TLGU1020(T14,KL)		40 (CH 5/29)
LD621	WA588100	LED (chip) Green	TLGU1020(T14,KL)		40 (CH 6/30)
LD622	WA588100	LED (chip) Green	TLGU1020(T14,KL)		40 (CH 7/31)
LD623	WA588100	LED (chip) Green	TLGU1020(T14,KL)		40 (CH 8/32)
LD624	WA588100	LED (chip) Green	TLGU1020(T14,KL)		30 (CH 1/25)
LD625	WA588100	LED (chip) Green	TLGU1020(T14,KL)		30 (CH 2/26)
LD626	WA588100	LED (chip) Green	TLGU1020(T14,KL)		30 (CH 3/27)
LD627	WA588100	LED (chip) Green	TLGU1020(T14,KL)		30 (CH 4/28)
LD628	WA588100	LED (chip) Green	TLGU1020(T14,KL)		30 (CH 5/29)
LD629	WA588100	LED (chip) Green	TLGU1020(T14,KL)		30 (CH 6/30)
LD630	WA588100	LED (chip) Green	TLGU1020(T14,KL)		30 (CH 7/31)
LD631	WA588100	LED (chip) Green	TLGU1020(T14,KL)		30 (CH 8/32)
LD632	WA588100	LED (chip) Green	TLGU1020(T14,KL)		24 (CH 1/25)
LD633	WA588100	LED (chip) Green	TLGU1020(T14,KL)		24 (CH 2/26)
LD634	WA588100	LED (chip) Green	TLGU1020(T14,KL)		24 (CH 3/27)
LD635	WA588100	LED (chip) Green	TLGU1020(T14,KL)		24 (CH 4/28)
LD636	WA588100	LED (chip) Green	TLGU1020(T14,KL)		24 (CH 5/29)
LD637	WA588100	LED (chip) Green	TLGU1020(T14,KL)		24 (CH 6/30)
LD638	WA588100	LED (chip) Green	TLGU1020(T14,KL)		24 (CH 7/31)
LD639	WA588100	LED (chip) Green	TLGU1020(T14,KL)		24 (CH 8/32)
LD640	WA877100	LED (chip) Orange	TLOU1020(T14,MN)		18 (CH 1/25)
LD641	WA877100	LED (chip) Orange	TLOU1020(T14,MN)		18 (CH 2/26)
LD642	WA877100	LED (chip) Orange	TLOU1020(T14,MN)		18 (CH 3/27)
LD643	WA877100	LED (chip) Orange	TLOU1020(T14,MN)		18 (CH 4/28)
LD644	WA877100	LED (chip) Orange	TLOU1020(T14,MN)		18 (CH 5/29)
LD645	WA877100	LED (chip) Orange	TLOU1020(T14,MN)		18 (CH 6/30)
LD646	WA877100	LED (chip) Orange	TLOU1020(T14,MN)		18 (CH 7/31)
LD647	WA877100	LED (chip) Orange	TLOU1020(T14,MN)		18 (CH 8/32)
LD648	WA877100	LED (chip) Orange	TLOU1020(T14,MN)		15 (CH 1/25)
LD649	WA877100	LED (chip) Orange	TLOU1020(T14,MN)		15 (CH 2/26)
LD650	WA877100	LED (chip) Orange	TLOU1020(T14,MN)		15 (CH 3/27)
LD651	WA877100	LED (chip) Orange	TLOU1020(T14,MN)		15 (CH 4/28)
LD652	WA877100	LED (chip) Orange	TLOU1020(T14,MN)		15 (CH 5/29)
LD653	WA877100	LED (chip) Orange	TLOU1020(T14,MN)		15 (CH 6/30)
LD654	WA877100	LED (chip) Orange	TLOU1020(T14,MN)		15 (CH 7/31)
LD655	WA877100	LED (chip) Orange	TLOU1020(T14,MN)		15 (CH 8/32)
LD656	WA877100	LED (chip) Orange	TLOU1020(T14,MN)		12 (CH 1/25)
LD657	WA877100	LED (chip) Orange	TLOU1020(T14,MN)		12 (CH 2/26)
LD658	WA877100	LED (chip) Orange	TLOU1020(T14,MN)		12 (CH 3/27)
LD659	WA877100	LED (chip) Orange	TLOU1020(T14,MN)		12 (CH 4/28)
LD660	WA877100	LED (chip) Orange	TLOU1020(T14,MN)		12 (CH 5/29)
LD661	WA877100	LED (chip) Orange	TLOU1020(T14,MN)		12 (CH 6/30)
LD662	WA877100	LED (chip) Orange	TLOU1020(T14,MN)		12 (CH 7/31)
LD663	WA877100	LED (chip) Orange	TLOU1020(T14,MN)		12 (CH 8/32)

* New Parts

RANK: Japan only

PM5D/PM5D-RH

REF. NO.	PART NO.	DESCRIPTION	REMARKS	QTY	RANK
LD664	WA877100	LED (chip) Orange	TLOU1020(T14,MN)	-9 (CH 1/25)	01
LD665	WA877100	LED (chip) Orange	TLOU1020(T14,MN)	-9 (CH 2/26)	01
LD666	WA877100	LED (chip) Orange	TLOU1020(T14,MN)	-9 (CH 3/27)	01
LD667	WA877100	LED (chip) Orange	TLOU1020(T14,MN)	-9 (CH 4/28)	01
LD668	WA877100	LED (chip) Orange	TLOU1020(T14,MN)	-9 (CH 5/29)	01
LD669	WA877100	LED (chip) Orange	TLOU1020(T14,MN)	-9 (CH 6/30)	01
LD670	WA877100	LED (chip) Orange	TLOU1020(T14,MN)	-9 (CH 7/31)	01
LD671	WA877100	LED (chip) Orange	TLOU1020(T14,MN)	-9 (CH 8/32)	01
LD672	WA877100	LED (chip) Orange	TLOU1020(T14,MN)	-6 (CH 1/25)	01
LD673	WA877100	LED (chip) Orange	TLOU1020(T14,MN)	-6 (CH 2/26)	01
LD674	WA877100	LED (chip) Orange	TLOU1020(T14,MN)	-6 (CH 3/27)	01
LD675	WA877100	LED (chip) Orange	TLOU1020(T14,MN)	-6 (CH 4/28)	01
LD676	WA877100	LED (chip) Orange	TLOU1020(T14,MN)	-6 (CH 5/29)	01
LD677	WA877100	LED (chip) Orange	TLOU1020(T14,MN)	-6 (CH 6/30)	01
LD678	WA877100	LED (chip) Orange	TLOU1020(T14,MN)	-6 (CH 7/31)	01
LD679	WA877100	LED (chip) Orange	TLOU1020(T14,MN)	-6 (CH 8/32)	01
LD680	WA877100	LED (chip) Orange	TLOU1020(T14,MN)	-3 (CH 1/25)	01
LD681	WA877100	LED (chip) Orange	TLOU1020(T14,MN)	-3 (CH 2/26)	01
LD682	WA877100	LED (chip) Orange	TLOU1020(T14,MN)	-3 (CH 3/27)	01
LD683	WA877100	LED (chip) Orange	TLOU1020(T14,MN)	-3 (CH 4/28)	01
LD684	WA877100	LED (chip) Orange	TLOU1020(T14,MN)	-3 (CH 5/29)	01
LD685	WA877100	LED (chip) Orange	TLOU1020(T14,MN)	-3 (CH 6/30)	01
LD686	WA877100	LED (chip) Orange	TLOU1020(T14,MN)	-3 (CH 7/31)	01
LD687	WA877100	LED (chip) Orange	TLOU1020(T14,MN)	-3 (CH 8/32)	01
LD688	WA587900	LED (chip) Red	TLSU1020(T14,MN)	OVER (CH 1/25)	01
LD689	WA587900	LED (chip) Red	TLSU1020(T14,MN)	OVER (CH 2/26)	01
LD690	WA587900	LED (chip) Red	TLSU1020(T14,MN)	OVER (CH 3/27)	01
LD691	WA587900	LED (chip) Red	TLSU1020(T14,MN)	OVER (CH 4/28)	01
LD692	WA587900	LED (chip) Red	TLSU1020(T14,MN)	OVER (CH 5/29)	01
LD693	WA587900	LED (chip) Red	TLSU1020(T14,MN)	OVER (CH 6/30)	01
LD694	WA587900	LED (chip) Red	TLSU1020(T14,MN)	OVER (CH 7/31)	01
LD695	WA587900	LED (chip) Red	TLSU1020(T14,MN)	OVER (CH 8/32)	01
LD696	WA588100	LED (chip) Green	TLGU1020(T14,KL)	-60 (CH 9/33)	01
LD697	WA588100	LED (chip) Green	TLGU1020(T14,KL)	-60 (CH 10/34)	01
LD698	WA588100	LED (chip) Green	TLGU1020(T14,KL)	-60 (CH 11/35)	01
LD699	WA588100	LED (chip) Green	TLGU1020(T14,KL)	-60 (CH 12/36)	01
LD700	WA588100	LED (chip) Green	TLGU1020(T14,KL)	-60 (CH 13/37)	01
LD701	WA588100	LED (chip) Green	TLGU1020(T14,KL)	-60 (CH 14/38)	01
LD702	WA588100	LED (chip) Green	TLGU1020(T14,KL)	-60 (CH 15/39)	01
LD703	WA588100	LED (chip) Green	TLGU1020(T14,KL)	-60 (CH 16/40)	01
LD704	WA588100	LED (chip) Green	TLGU1020(T14,KL)	-50 (CH 9/33)	01
LD705	WA588100	LED (chip) Green	TLGU1020(T14,KL)	-50 (CH 10/34)	01
LD706	WA588100	LED (chip) Green	TLGU1020(T14,KL)	-50 (CH 11/35)	01
LD707	WA588100	LED (chip) Green	TLGU1020(T14,KL)	-50 (CH 12/36)	01
LD708	WA588100	LED (chip) Green	TLGU1020(T14,KL)	-50 (CH 13/37)	01
LD709	WA588100	LED (chip) Green	TLGU1020(T14,KL)	-50 (CH 14/38)	01
LD710	WA588100	LED (chip) Green	TLGU1020(T14,KL)	-50 (CH 15/39)	01
LD711	WA588100	LED (chip) Green	TLGU1020(T14,KL)	-50 (CH 16/40)	01
LD712	WA588100	LED (chip) Green	TLGU1020(T14,KL)	-40 (CH 9/33)	01
LD713	WA588100	LED (chip) Green	TLGU1020(T14,KL)	-40 (CH 10/34)	01
LD714	WA588100	LED (chip) Green	TLGU1020(T14,KL)	-40 (CH 11/35)	01
LD715	WA588100	LED (chip) Green	TLGU1020(T14,KL)	-40 (CH 12/36)	01
LD716	WA588100	LED (chip) Green	TLGU1020(T14,KL)	-40 (CH 13/37)	01
LD717	WA588100	LED (chip) Green	TLGU1020(T14,KL)	-40 (CH 14/38)	01
LD718	WA588100	LED (chip) Green	TLGU1020(T14,KL)	-40 (CH 15/39)	01
LD719	WA588100	LED (chip) Green	TLGU1020(T14,KL)	-40 (CH 16/40)	01
LD720	WA588100	LED (chip) Green	TLGU1020(T14,KL)	-30 (CH 9/33)	01
LD721	WA588100	LED (chip) Green	TLGU1020(T14,KL)	-30 (CH 10/34)	01
LD722	WA588100	LED (chip) Green	TLGU1020(T14,KL)	-30 (CH 11/35)	01
LD723	WA588100	LED (chip) Green	TLGU1020(T14,KL)	-30 (CH 12/36)	01
LD724	WA588100	LED (chip) Green	TLGU1020(T14,KL)	-30 (CH 13/37)	01
LD725	WA588100	LED (chip) Green	TLGU1020(T14,KL)	-30 (CH 14/38)	01
LD726	WA588100	LED (chip) Green	TLGU1020(T14,KL)	-30 (CH 15/39)	01
LD727	WA588100	LED (chip) Green	TLGU1020(T14,KL)	-30 (CH 16/40)	01
LD728	WA588100	LED (chip) Green	TLGU1020(T14,KL)	-24 (CH 9/33)	01
LD729	WA588100	LED (chip) Green	TLGU1020(T14,KL)	-24 (CH 10/34)	01
LD730	WA588100	LED (chip) Green	TLGU1020(T14,KL)	-24 (CH 11/35)	01
LD731	WA588100	LED (chip) Green	TLGU1020(T14,KL)	-24 (CH 12/36)	01
LD732	WA588100	LED (chip) Green	TLGU1020(T14,KL)	-24 (CH 13/37)	01
LD733	WA588100	LED (chip) Green	TLGU1020(T14,KL)	-24 (CH 14/38)	01

*: New Parts

RANK: Japan only

REF NO.	PART NO.	DESCRIPTION	REMARKS	QTY	NAME
LD734	WA588100	LED (chip) Green	TLGU1020(T14,KL)	24 (CH 15/39)	01
LD735	WA588100	LED (chip) Green	TLGU1020(T14,KL)	24 (CH 16/40)	01
LD736	WA877100	LED (chip) Orange	TLOU1020(T14,MN)	-18 (CH 9/33)	01
LD737	WA877100	LED (chip) Orange	TLOU1020(T14,MN)	-18 (CH 10/34)	01
LD738	WA877100	LED (chip) Orange	TLOU1020(T14,MN)	-18 (CH 11/35)	01
LD739	WA877100	LED (chip) Orange	TLOU1020(T14,MN)	-18 (CH 12/36)	01
LD740	WA877100	LED (chip) Orange	TLOU1020(T14,MN)	-18 (CH 13/37)	01
LD741	WA877100	LED (chip) Orange	TLOU1020(T14,MN)	-18 (CH 14/38)	01
LD742	WA877100	LED (chip) Orange	TLOU1020(T14,MN)	-18 (CH 15/39)	01
LD743	WA877100	LED (chip) Orange	TLOU1020(T14,MN)	-18 (CH 16/40)	01
LD744	WA877100	LED (chip) Orange	TLOU1020(T14,MN)	-15 (CH 9/33)	01
LD745	WA877100	LED (chip) Orange	TLOU1020(T14,MN)	-15 (CH 10/34)	01
LD746	WA877100	LED (chip) Orange	TLOU1020(T14,MN)	-15 (CH 11/35)	01
LD747	WA877100	LED (chip) Orange	TLOU1020(T14,MN)	-15 (CH 12/36)	01
LD748	WA877100	LED (chip) Orange	TLOU1020(T14,MN)	-15 (CH 13/37)	01
LD749	WA877100	LED (chip) Orange	TLOU1020(T14,MN)	-15 (CH 14/38)	01
LD750	WA877100	LED (chip) Orange	TLOU1020(T14,MN)	-15 (CH 15/39)	01
LD751	WA877100	LED (chip) Orange	TLOU1020(T14,MN)	-15 (CH 16/40)	01
LD752	WA877100	LED (chip) Orange	TLOU1020(T14,MN)	-12 (CH 9/33)	01
LD753	WA877100	LED (chip) Orange	TLOU1020(T14,MN)	-12 (CH 10/34)	01
LD754	WA877100	LED (chip) Orange	TLOU1020(T14,MN)	-12 (CH 11/35)	01
LD755	WA877100	LED (chip) Orange	TLOU1020(T14,MN)	-12 (CH 12/36)	01
LD756	WA877100	LED (chip) Orange	TLOU1020(T14,MN)	-12 (CH 13/37)	01
LD757	WA877100	LED (chip) Orange	TLOU1020(T14,MN)	-12 (CH 14/38)	01
LD758	WA877100	LED (chip) Orange	TLOU1020(T14,MN)	-12 (CH 15/39)	01
LD759	WA877100	LED (chip) Orange	TLOU1020(T14,MN)	-12 (CH 16/40)	01
LD760	WA877100	LED (chip) Orange	TLOU1020(T14,MN)	9 (CH 9/33)	01
LD761	WA877100	LED (chip) Orange	TLOU1020(T14,MN)	9 (CH 10/34)	01
LD762	WA877100	LED (chip) Orange	TLOU1020(T14,MN)	9 (CH 11/35)	01
LD763	WA877100	LED (chip) Orange	TLOU1020(T14,MN)	9 (CH 12/36)	01
LD764	WA877100	LED (chip) Orange	TLOU1020(T14,MN)	9 (CH 13/37)	01
LD765	WA877100	LED (chip) Orange	TLOU1020(T14,MN)	9 (CH 14/38)	01
LD766	WA877100	LED (chip) Orange	TLOU1020(T14,MN)	9 (CH 15/39)	01
LD767	WA877100	LED (chip) Orange	TLOU1020(T14,MN)	9 (CH 16/40)	01
LD768	WA877100	LED (chip) Orange	TLOU1020(T14,MN)	6 (CH 9/33)	01
LD769	WA877100	LED (chip) Orange	TLOU1020(T14,MN)	6 (CH 10/34)	01
LD770	WA877100	LED (chip) Orange	TLOU1020(T14,MN)	-6 (CH 11/35)	01
LD771	WA877100	LED (chip) Orange	TLOU1020(T14,MN)	6 (CH 12/36)	01
LD772	WA877100	LED (chip) Orange	TLOU1020(T14,MN)	6 (CH 13/37)	01
LD773	WA877100	LED (chip) Orange	TLOU1020(T14,MN)	6 (CH 14/38)	01
LD774	WA877100	LED (chip) Orange	TLOU1020(T14,MN)	-6 (CH 15/39)	01
LD775	WA877100	LED (chip) Orange	TLOU1020(T14,MN)	-6 (CH 16/40)	01
LD776	WA877100	LED (chip) Orange	TLOU1020(T14,MN)	-3 (CH 9/33)	01
LD777	WA877100	LED (chip) Orange	TLOU1020(T14,MN)	-3 (CH 10/34)	01
LD778	WA877100	LED (chip) Orange	TLOU1020(T14,MN)	-3 (CH 11/35)	01
LD779	WA877100	LED (chip) Orange	TLOU1020(T14,MN)	-3 (CH 12/36)	01
LD780	WA877100	LED (chip) Orange	TLOU1020(T14,MN)	3 (CH 13/37)	01
LD781	WA877100	LED (chip) Orange	TLOU1020(T14,MN)	3 (CH 14/38)	01
LD782	WA877100	LED (chip) Orange	TLOU1020(T14,MN)	-3 (CH 15/39)	01
LD783	WA877100	LED (chip) Orange	TLOU1020(T14,MN)	-3 (CH 16/40)	01
LD784	WA587900	LED (chip) Red	TLSU1020(T14,MN)	OVER (CH 9/33)	01
LD785	WA587900	LED (chip) Red	TLSU1020(T14,MN)	OVER (CH 10/34)	01
LD786	WA587900	LED (chip) Red	TLSU1020(T14,MN)	OVER (CH 11/35)	01
LD787	WA587900	LED (chip) Red	TLSU1020(T14,MN)	OVER (CH 12/36)	01
LD788	WA587900	LED (chip) Red	TLSU1020(T14,MN)	OVER (CH 13/37)	01
LD789	WA587900	LED (chip) Red	TLSU1020(T14,MN)	OVER (CH 14/38)	01
LD790	WA587900	LED (chip) Red	TLSU1020(T14,MN)	OVER (CH 15/39)	01
LD791	WA587900	LED (chip) Red	TLSU1020(T14,MN)	OVER (CH 16/40)	01
LD899	WA587900	LED (chip) Red	TLSU1020(T14,MN)		01
R101	RD255330	Carbon Resistor (chip)	330.0 0.1 J		01
R102	RD356300	Carbon Resistor (chip)	3.0K 63M J		01
R103	RD355220	Carbon Resistor (chip)	220.0 63M J		01
R104	RD357100	Carbon Resistor (chip)	10.0K 63M J		01
R106	RD257100	Carbon Resistor (chip)	10.0K 0.1 J		01
R108	RD257100	Carbon Resistor (chip)	10.0K 0.1 J		01
R111	RD357100	Carbon Resistor (chip)	10.0K 63M J		01
R113	RD355100	Carbon Resistor (chip)	100.0 63M J		01
-117	RD355100	Carbon Resistor (chip)	100.0 63M J		01
R118	RD357100	Carbon Resistor (chip)	10.0K 63M J		01
R119	RD357100	Carbon Resistor (chip)	10.0K 63M J		01

* New Parts

RANK: Japan only

REF NO.	PART NO.	DESCRIPTION		REMARKS	QTY	RANK
R130	RD355100	Carbon Resistor (chip)	100.0 63M J			01
R132	RD356100	Carbon Resistor (chip)	1.0K 63M J			01
R133	RD355100	Carbon Resistor (chip)	100.0 63M J			01
R134	RD357100	Carbon Resistor (chip)	10.0K 63M J			01
R135	RD357100	Carbon Resistor (chip)	10.0K 63M J			01
R136	RD356100	Carbon Resistor (chip)	1.0K 63M J			01
R137	RD354470	Carbon Resistor (chip)	47.0 63M J			01
R200	RD356100	Carbon Resistor (chip)	1.0K 63M J			01
R201	RD359100	Carbon Resistor (chip)	1.0M 63M J			01
R202	RD354820	Carbon Resistor (chip)	82.0 63M J			01
-208	RD354820	Carbon Resistor (chip)	82.0 63M J			01
R209	RD350000	Carbon Resistor (chip)	0 63M J			01
R210	RD350000	Carbon Resistor (chip)	0 63M J			01
R300	RD355390	Carbon Resistor (chip)	390.0 63M J			01
-320	RD355390	Carbon Resistor (chip)	390.0 63M J			01
R321	RD354820	Carbon Resistor (chip)	82.0 63M J			01
-324	RD354820	Carbon Resistor (chip)	82.0 63M J			01
R325	RD350000	Carbon Resistor (chip)	0 63M J			01
-332	RD350000	Carbon Resistor (chip)	0 63M J			01
R333	RD354820	Carbon Resistor (chip)	82.0 63M J			01
R334	RD354820	Carbon Resistor (chip)	82.0 63M J			01
R335	RD350000	Carbon Resistor (chip)	0 63M J			01
-341	RD350000	Carbon Resistor (chip)	0 63M J			01
R350	RD354820	Carbon Resistor (chip)	82.0 63M J			01
-369	RD354820	Carbon Resistor (chip)	82.0 63M J			01
R400	RD355120	Carbon Resistor (chip)	120.0 63M J			01
-419	RD355120	Carbon Resistor (chip)	120.0 63M J			01
R421	RD355120	Carbon Resistor (chip)	120.0 63M J			01
-427	RD355120	Carbon Resistor (chip)	120.0 63M J			01
R429	RD355120	Carbon Resistor (chip)	120.0 63M J			01
-447	RD355120	Carbon Resistor (chip)	120.0 63M J			01
R450	RD355100	Carbon Resistor (chip)	100.0 63M J			01
R451	RD355100	Carbon Resistor (chip)	100.0 63M J			01
R452	RD350000	Carbon Resistor (chip)	0 63M J			01
R453	RD354470	Carbon Resistor (chip)	47.0 63M J			01
R460	RD355120	Carbon Resistor (chip)	120.0 63M J			01
-487	RD355120	Carbon Resistor (chip)	120.0 63M J			01
R600	RD354470	Carbon Resistor (chip)	47.0 63M J			01
RA101	RE047100	Resistor Array	10KX4			01
RA103	RE047100	Resistor Array	10KX4			01
-119	RE047100	Resistor Array	10KX4			01
RA150	RE047100	Resistor Array	10KX4			01
-159	RE047100	Resistor Array	10KX4			01
RA200	RE047100	Resistor Array	10KX4			01
RA201	RE047100	Resistor Array	10KX4			01
RA202	RE044820	Resistor Array	82X4			01
RA250	RE046100	Resistor Array	1KX4			01
RA251	RE046100	Resistor Array	1KX4			01
RA252	RE044470	Resistor Array	47X4			01
RA253	RE044470	Resistor Array	47X4			01
RA400	RE046220	Resistor Array	2.2KX4			01
-413	RE046220	Resistor Array	2.2KX4			01
RA450	RE047100	Resistor Array	10KX4			01
-455	RE047100	Resistor Array	10KX4			01
RA456	RE045100	Resistor Array	100X4			01
-460	RE045100	Resistor Array	100X4			01
RA800	RE047100	Resistor Array	10KX4			01
RA801	RE047100	Resistor Array	10KX4			01
RA803	RE047100	Resistor Array	10KX4			01
-805	RE047100	Resistor Array	10KX4			01
RA807	RE047100	Resistor Array	10KX4			01
RA808	RE045100	Resistor Array	100X4			01
-815	RE045100	Resistor Array	100X4			01
RA900	RE047100	Resistor Array	10KX4			01
-915	RE047100	Resistor Array	10KX4			01
SW100	V4857900	Tact Switch	SKHWAA	DCA 1 (GROUP)		01
SW101	V4857900	Tact Switch	SKHWAA	DCA 2 (GROUP)		01
SW102	V4857900	Tact Switch	SKHWAA	DCA 3 (GROUP)		01
SW103	V4857900	Tact Switch	SKHWAA	DCA 4 (GROUP)		01
SW104	V4857900	Tact Switch	SKHWAA	DCA 5 (GROUP)		01

*: New Parts

RANK: Japan only

REF NO.	PART NO.	DESCRIPTION		REMARKS	QTY	NAME
SW105	V4857900	Tact Switch	SKHWAA	DCA 6 (GROUP)		01
SW106	V4857900	Tact Switch	SKHWAA	DCA 7 (GROUP)		01
SW107	V4857900	Tact Switch	SKHWAA	DCA 8 (GROUP)		01
SW108	V4857900	Tact Switch	SKHWAA	MUTE 1 (GROUP)		01
SW109	V4857900	Tact Switch	SKHWAA	MUTE 2 (GROUP)		01
SW110	V4857900	Tact Switch	SKHWAA	MUTE 3 (GROUP)		01
SW111	V4857900	Tact Switch	SKHWAA	MUTE 4 (GROUP)		01
SW112	V4857900	Tact Switch	SKHWAA	MUTE 5 (GROUP)		01
SW113	V4857900	Tact Switch	SKHWAA	MUTE 6 (GROUP)		01
SW114	V4857900	Tact Switch	SKHWAA	MUTE 7 (GROUP)		01
SW115	V4857900	Tact Switch	SKHWAA	MUTE 8 (GROUP)		01
SW116	V4857900	Tact Switch	SKHWAA	RECALL SAFE (GROUP)		01
SW117	V4857900	Tact Switch	SKHWAA	MUTE SAFE (GROUP)		01
SW118	V4857900	Tact Switch	SKHWAA	MIX MASTER		01
SW119	V4857900	Tact Switch	SKHWAA	ON (NOISE GATE)		01
SW120	V4857900	Tact Switch	SKHWAA	INC (CHANNEL SELECT)		01
SW121	V4857900	Tact Switch	SKHWAA	DEC (CHANNEL SELECT)		01
SW122	V4857900	Tact Switch	SKHWAA	COPY (CHANNEL SELECT)		01
SW123	V4857900	Tact Switch	SKHWAA	PASTE (CHANNEL SELECT)		01
SW124	V4857900	Tact Switch	SKHWAA	MIX MATRIX		01
SW125	V4857900	Tact Switch	SKHWAA	PEAK HOLD		01
SW126	V4857900	Tact Switch	SKHWAA	MIX SEND		01
SW127	V4857900	Tact Switch	SKHWAA	ON (DELAY)		01
SW128	V4857900	Tact Switch	SKHWAA	↑ (GAIN/ATTENUATION/↓)		01
SW129	V4857900	Tact Switch	SKHWAA	GAIN/ATT (GAIN/ATTENUATION/↓)		01
SW130	V4857900	Tact Switch	SKHWAA	CH 1-24/ST IN/FX RTN		01
SW131	V4857900	Tact Switch	SKHWAA	CH 25-48/FX RTN/ST IN		01
SW132	V4857900	Tact Switch	SKHWAA	HIGH (EQUALIZER)		01
SW133	V4857900	Tact Switch	SKHWAA	ON (EQUALIZER)		01
SW134	V4857900	Tact Switch	SKHWAA	UPPER (EQUALIZER)		01
SW135	V4857900	Tact Switch	SKHWAA	LOWER (EQUALIZER)		01
SW136	V4857900	Tact Switch	SKHWAA	HPF (HPF)		01
SW137	V4857900	Tact Switch	SKHWAA	TO STEREO (STEREO)		01
SW138	V4857900	Tact Switch	SKHWAA	ON (COMPRESSOR)		01
SW139	V4857900	Tact Switch	SKHWAA	LOW (EQUALIZER)		01
TA200	V7723400	Transistor Array	TD62381F(EL)			04
TA201	V7723400	Transistor Array	TD62381F(EL)			04
X100	V3990700	Ceramic Resonator	CSTCC7M16G56-R0			01
X200	WA782100	Ceramic Resonator	5MHz CSTCR5M00G53-R0			
WH001	--	Connector Assembly	SL L=450	(WD41280)		
WH002	--	Connector Assembly	SL L=450	(WD41290)		
WH003	--	Connector Assembly	SL L=70	(WD41300)		
WH004	--	Connector Assembly	SL L=110	(WD41310)		
WH005	--	Connector Assembly	SL L=200	(WD41320)		
WH006	--	Connector Assembly	SL L=220	(WD41330)		
WH007	--	Connector Assembly	SL L=230	(WD41340)		
"	WB084800	Circuit Board	SR	(1/2),(2/2) (X409480)		
"	V8487300	Button Small	LENS/RED	PREVIEW (SCENE MEMORY), SOLO (CUE)	2	02
"	WB475200	Button Small	LENS/BLUE	PRE (ST IN 1-4/FX RTN 1-4)	4	
"	WC309800	Button Small	S_GRAY/S_GRAY	UNDO (SCENE MEMORY), GLOBAL (DISPLAY ACCESS), INPUT (DISPLAY ACCESS)	17	
"	WC309900	Button Small	LENS/1D_RED	STEREO A,B (MONITOR)	2	
"	WC310000	Button Small	LENS/S_GRAY	LAST CUE (CUE),21 F IN A1, A2,2TR IN D1-D3,ON,DEFINE (MONITOR),ON (TALKBACK), ON (OSCILLATOR),1-8,17-24 (USER DEFINED KEYS), ON (ST IN 1-4/FX RTN 1-4)	30	
"	WC310300	Button Small	M_GRAY/M_GRAY	OUTPUT (DISPLAY ACCESS)	8	
"	WC310400	Button Small	LENS/M_GRAY	OUTPUT PFL (CUE), MONO (MONITOR), 9-16 (USER DEFINED KEYS), SEL (ST IN 1-4/FX RTN 1-4)	14	
C101	US145100	Ceramic Capacitor-F (chip)	0.1000 25V Z			01
-104	US145100	Ceramic Capacitor-F (chip)	0.1000 25V Z			01
C105	UF027470	Electrolytic Cap. (chip)	47 10V			01
C106	US145100	Ceramic Capacitor-F (chip)	0.1000 25V Z			01

* New Parts

RANK: Japan only

PM5D/PM5D-RH

REF NO.	PART NO.	DESCRIPTION	REMARKS	QTY	RANK
C107	US145100	Ceramic Capacitor-F (chip)	0.1000 25V Z		01
C108	US062470	Ceramic Capacitor-SL(chip)	470P 50V J		01
C109	UB215100	Monolithic Ceramic Cap	B 0.100 25V K		01
C110	US063100	Ceramic Capacitor-B (chip)	1000P 50V K		01
C113	US063100	Ceramic Capacitor-B (chip)	1000P 50V K		01
C124	US145100	Ceramic Capacitor-F (chip)	0.1000 25V Z		01
C125	US145100	Ceramic Capacitor-F (chip)	0.1000 25V Z		01
C128	US145100	Ceramic Capacitor-F (chip)	0.1000 25V Z		01
C129	US145100	Ceramic Capacitor-F (chip)	0.1000 25V Z		01
C130	US062100	Ceramic Capacitor-SL(chip)	100P 50V J		01
C131	US145100	Ceramic Capacitor-F (chip)	0.1000 25V Z		01
C132	US064100	Ceramic Capacitor-B (chip)	0.0100 50V K		01
C133	US064100	Ceramic Capacitor-B (chip)	0.0100 50V K		01
C134	WC404500	Electrolytic Cap.-UD(chip)	150.00 10.0V		01
C139	WC404500	Electrolytic Cap.-UD(chip)	150.00 10.0V		01
C140	US145100	Ceramic Capacitor-F (chip)	0.1000 25V Z		01
C200	US145100	Ceramic Capacitor-F (chip)	0.1000 25V Z		01
C202	US145100	Ceramic Capacitor-F (chip)	0.1000 25V Z		01
C204	US145100	Ceramic Capacitor-F (chip)	0.1000 25V Z		01
C205	US145100	Ceramic Capacitor-F (chip)	0.1000 25V Z		01
C207	US145100	Ceramic Capacitor-F (chip)	0.1000 25V Z		01
C209	US145100	Ceramic Capacitor-F (chip)	0.1000 25V Z		01
C221	US145100	Ceramic Capacitor-F (chip)	0.1000 25V Z		01
C222	US061470	Ceramic Capacitor-CH(chip)	47P 50V J		01
C225	US061470	Ceramic Capacitor-CH(chip)	47P 50V J		01
C226	US062100	Ceramic Capacitor-SL(chip)	100P 50V J		01
C227	US062100	Ceramic Capacitor-SL(chip)	100P 50V J		01
C250	US145100	Ceramic Capacitor-F (chip)	0.1000 25V Z		01
C252	US145100	Ceramic Capacitor-F (chip)	0.1000 25V Z		01
C253	US062100	Ceramic Capacitor-SL(chip)	100P 50V J		01
C254	US061470	Ceramic Capacitor-CH(chip)	47P 50V J		01
C255	US061470	Ceramic Capacitor-CH(chip)	47P 50V J		01
C300	US145100	Ceramic Capacitor-F (chip)	0.1000 25V Z		01
C308	US145100	Ceramic Capacitor-F (chip)	0.1000 25V Z		01
C350	US061220	Ceramic Capacitor-CH(chip)	22P 50V J		01
C355	US061220	Ceramic Capacitor-CH(chip)	22P 50V J		01
C400	US145100	Ceramic Capacitor-F (chip)	0.1000 25V Z		01
C401	US145100	Ceramic Capacitor-F (chip)	0.1000 25V Z		01
C402	UF037100	Electrolytic Cap. (chip)	10 16V		01
C403	UF037100	Electrolytic Cap. (chip)	10 16V		01
C404	US145100	Ceramic Capacitor-F (chip)	0.1000 25V Z		01
C406	UF037100	Electrolytic Cap. (chip)	10 16V		01
C407	US145100	Ceramic Capacitor-F (chip)	0.1000 25V Z		01
C408	UF037100	Electrolytic Cap. (chip)	10 16V		01
C800	US145100	Ceramic Capacitor-F (chip)	0.1000 25V Z		01
C802	US145100	Ceramic Capacitor-F (chip)	0.1000 25V Z		01
C806	US145100	Ceramic Capacitor-F (chip)	0.1000 25V Z		01
C806	UF128220	Electrolytic Cap. (chip)	220 10V MJR1A2		01
C807	UF028100	Electrolytic Cap. (chip)	100 10V		01
C809	US064100	Ceramic Capacitor-B (chip)	0.0100 50V K		01
C812	US063100	Ceramic Capacitor-B (chip)	1000P 50V K		01
C815	US063100	Ceramic Capacitor-B (chip)	1000P 50V K		01
C818	US145100	Ceramic Capacitor-F (chip)	0.1000 25V Z		01
C817	US145100	Ceramic Capacitor-F (chip)	0.1000 25V Z		01
C818	US064100	Ceramic Capacitor-B (chip)	0.0100 50V K		01
C901	US145100	Ceramic Capacitor-F (chip)	0.1000 25V Z		01
C902	US145100	Ceramic Capacitor-F (chip)	0.1000 25V Z		01
C919	US145100	Ceramic Capacitor-F (chip)	0.1000 25V Z		01
C922	US145100	Ceramic Capacitor-F (chip)	0.1000 25V Z		01
C927	US145100	Ceramic Capacitor-F (chip)	0.1000 25V Z		01
C930	US145100	Ceramic Capacitor-F (chip)	0.1000 25V Z		01
C931	US064100	Ceramic Capacitor-B (chip)	0.0100 50V K		01
C932	US064100	Ceramic Capacitor-B (chip)	0.0100 50V K		01
CN100	VB390300	Connector Base Post	PH 7P TE		01
CN101	LB932050	Base Post Connector	VH 5P TE		01
CN500	VK025500	Wire Trap	52147 11P TE		01
CN600	VB79100	Cable Holder	51048 13P TE		01
CN800	VQ048400	Connector, FFC	52045 35P TE		01
CN900	VB79100	Cable Holder	51048 13P TE		01
D100	VT332900	Diode	1SS355 TE-17		01

*: New Parts

RANK: Japan only

REF NO.	PART NO.	DESCRIPTION		REMARKS	QTY	NAME
-124	VT332900	Diode	1SS355 TE-17			01
D500	VT332900	Diode	1SS355 TE-17			01
-555	VT332900	Diode	1SS355 TE-17			01
D800	VT332900	Diode	1SS355 TE-17			01
D900	VT332900	Diode	1SS355 TE-17			01
-907	VT332900	Diode	1SS355 TE-17			01
EC100	V3750700	Rotary Encoder	EC12E2410401	ST IN 1/FX RTN 1		01
EC101	V3750700	Rotary Encoder	EC12E2410401	ST IN 2/FX RTN 2		01
EC102	V3750700	Rotary Encoder	EC12E2410401	ST IN 3/FX RTN 3		01
EC103	V3750700	Rotary Encoder	EC12E2410401	ST IN 4/FX RTN 4		01
EM106	VQ761400	EMI Filter (chip)	NFM3DCC101U1H3L			01
-109	VQ761400	EMI Filter (chip)	NFM3DCC101U1H3L			01
EM800	WA093400	LC Filter	ZJSR5101-223TA			01
IC100	XY715A00	IC	HD6437042AF28	CPU V1.01		10
IC102	XV685A00	IC	MBM29F400BC-70PFTM	FLASH ROM 4M		11
IC103	X3292A00	IC	SN74LV244APWR	BUFFER		
IC105	XT015A00	IC	TC74VHC138F	DECODER		02
IC109	XZ217A00	IC	SN74AHC1G08HDCKR	AND		01
IC110	X4852A00	IC	S-80142BNMC-JG3-T2	SYSTEM RESET		
IC111	XN567A00	IC	TC7WU04F	INVERTER		01
IC200	X3498A00	IC	S1D13704F00A100	LCD CONTROLLER		08
IC202	XT163A00	IC	TC74HC238AF	TRANSCIVER		03
IC204	IS007400	IC	HD74LV74AFPEL	D-FF		01
IC205	XY945A00	IC	TC74VHC32FT	OR		01
IC207	X0195A00	IC	TC74VHC04FT	INVERTER		01
IC209	IS059500	IC	HD74LV595AFPEL	REGISTER		02
IC210	IS000000	IC	HD74LV00AFPEL	NAND		01
IC211	XN567A00	IC	TC7WU04F	INVERTER		01
IC250	XT015A00	IC	TC74VHC138F	DECODER		02
IC251	X3693A00	IC	SN74LV245APWR	TRANSCIVER		
IC252	X3693A00	IC	SN74LV245APWR	TRANSCIVER		
IC300	XV013A00	IC	TB62705CF(EL)	LED DRIVER		04
-306	XV013A00	IC	TB62705CF(EL)	LED DRIVER		04
IC400	XV014A00	IC	TD62M8600F	SOURCE DRIVER		05
-403	XV014A00	IC	TD62M8600F	SOURCE DRIVER		05
IC801	X3693A00	IC	SN74LV245APWR	TRANSCIVER		
IC802	X3693A00	IC	SN74LV245APWR	TRANSCIVER		
IC804	XT015A00	IC	TC74VHC138F	DECODER		02
IC805	X0638A00	IC	UPC2933AT-E1	REGULATOR +3.3V		03
IC806	XZ217A00	IC	SN74AHC1G08HDCKR	AND		01
IC901	XV973A00	IC	SGH603064F-62F	GATE ARRAY		07
L800	GE300610	Ferrite Bead	BLC02RN1-R62T4			01
LD96	V2451300	LED Display	HCMS2903	ST IN 1/FX RTN 1		12
LD97	V2451300	LED Display	HCMS2903	ST IN 2/FX RTN 2		12
LD98	V2451300	LED Display	HCMS2903	ST IN 3/FX RTN 3		12
LD99	V2451300	LED Display	HCMS2903	ST IN 4/FX RTN 4		12
LD100	V5526400	LED Display	LB-303DA	SCENE NUMBER		06
LD200	WA877100	LED (chip) Orange	TLOU1020(T14,MN)	8 (ST IN 1/FX RTN 1)		01
LD201	WA877100	LED (chip) Orange	TLOU1020(T14,MN)	7 (ST IN 1/FX RTN 1)		01
LD202	WA877100	LED (chip) Orange	TLOU1020(T14,MN)	6 (ST IN 1/FX RTN 1)		01
LD203	WA877100	LED (chip) Orange	TLOU1020(T14,MN)	5 (ST IN 1/FX RTN 1)		01
LD204	WA877100	LED (chip) Orange	TLOU1020(T14,MN)	4 (ST IN 1/FX RTN 1)		01
LD205	WA877100	LED (chip) Orange	TLOU1020(T14,MN)	3 (ST IN 1/FX RTN 1)		01
LD206	WA877100	LED (chip) Orange	TLOU1020(T14,MN)	2 (ST IN 1/FX RTN 1)		01
LD207	WA877100	LED (chip) Orange	TLOU1020(T14,MN)	1 (ST IN 1/FX RTN 1)		01
LD208	WA877100	LED (chip) Orange	TLOU1020(T14,MN)	9 (ST IN 1/FX RTN 1)		01
LD209	WA877100	LED (chip) Orange	TLOU1020(T14,MN)	A (ST IN 1/FX RTN 1)		01
LD210	WA877100	LED (chip) Orange	TLOU1020(T14,MN)	B (ST IN 1/FX RTN 1)		01
LD211	WA877100	LED (chip) Orange	TLOU1020(T14,MN)	C (ST IN 1/FX RTN 1)		01
LD212	WA877100	LED (chip) Orange	TLOU1020(T14,MN)	D (ST IN 1/FX RTN 1)		01
LD213	WA877100	LED (chip) Orange	TLOU1020(T14,MN)	E (ST IN 1/FX RTN 1)		01
LD214	WA877100	LED (chip) Orange	TLOU1020(T14,MN)	F (ST IN 1/FX RTN 1)		01
LD215	WA877100	LED (chip) Orange	TLOU1020(T14,MN)	ON (ST IN 1/FX RTN 1)		01
LD216	WA877100	LED (chip) Orange	TLOU1020(T14,MN)	8 (ST IN 2/FX RTN 2)		01
LD217	WA877100	LED (chip) Orange	TLOU1020(T14,MN)	7 (ST IN 2/FX RTN 2)		01
LD218	WA877100	LED (chip) Orange	TLOU1020(T14,MN)	6 (ST IN 2/FX RTN 2)		01
LD219	WA877100	LED (chip) Orange	TLOU1020(T14,MN)	5 (ST IN 2/FX RTN 2)		01
LD220	WA877100	LED (chip) Orange	TLOU1020(T14,MN)	4 (ST IN 2/FX RTN 2)		01
LD221	WA877100	LED (chip) Orange	TLOU1020(T14,MN)	3 (ST IN 2/FX RTN 2)		01
LD222	WA877100	LED (chip) Orange	TLOU1020(T14,MN)	2 (ST IN 2/FX RTN 2)		01

* New Parts

RANK: Japan only

REF NO.	PART NO.	DESCRIPTION	REMARKS	QTY	RANK
LD223	WA877100	LED (chip) Orange	TLOU1020(T14,MN)	1 (ST IN 2/FX RTN 2)	01
LD224	WA877100	LED (chip) Orange	TLOU1020(T14,MN)	9 (ST IN 2/FX RTN 2)	01
LD225	WA877100	LED (chip) Orange	TLOU1020(T14,MN)	A (ST IN 2/FX RTN 2)	01
LD226	WA877100	LED (chip) Orange	TLOU1020(T14,MN)	B (ST IN 2/FX RTN 2)	01
LD227	WA877100	LED (chip) Orange	TLOU1020(T14,MN)	C (ST IN 2/FX RTN 2)	01
LD228	WA877100	LED (chip) Orange	TLOU1020(T14,MN)	D (ST IN 2/FX RTN 2)	01
LD229	WA877100	LED (chip) Orange	TLOU1020(T14,MN)	E (ST IN 2/FX RTN 2)	01
LD230	WA877100	LED (chip) Orange	TLOU1020(T14,MN)	F (ST IN 2/FX RTN 2)	01
LD231	WA877100	LED (chip) Orange	TLOU1020(T14,MN)	ON (ST IN 2/FX RTN 2)	01
LD232	WA877100	LED (chip) Orange	TLOU1020(T14,MN)	8 (ST IN 3/FX RTN 3)	01
LD233	WA877100	LED (chip) Orange	TLOU1020(T14,MN)	7 (ST IN 3/FX RTN 3)	01
LD234	WA877100	LED (chip) Orange	TLOU1020(T14,MN)	6 (ST IN 3/FX RTN 3)	01
LD235	WA877100	LED (chip) Orange	TLOU1020(T14,MN)	5 (ST IN 3/FX RTN 3)	01
LD236	WA877100	LED (chip) Orange	TLOU1020(T14,MN)	4 (ST IN 3/FX RTN 3)	01
LD237	WA877100	LED (chip) Orange	TLOU1020(T14,MN)	3 (ST IN 3/FX RTN 3)	01
LD238	WA877100	LED (chip) Orange	TLOU1020(T14,MN)	2 (ST IN 3/FX RTN 3)	01
LD239	WA877100	LED (chip) Orange	TLOU1020(T14,MN)	1 (ST IN 3/FX RTN 3)	01
LD240	WA877100	LED (chip) Orange	TLOU1020(T14,MN)	9 (ST IN 3/FX RTN 3)	01
LD241	WA877100	LED (chip) Orange	TLOU1020(T14,MN)	A (ST IN 3/FX RTN 3)	01
LD242	WA877100	LED (chip) Orange	TLOU1020(T14,MN)	B (ST IN 3/FX RTN 3)	01
LD243	WA877100	LED (chip) Orange	TLOU1020(T14,MN)	C (ST IN 3/FX RTN 3)	01
LD244	WA877100	LED (chip) Orange	TLOU1020(T14,MN)	D (ST IN 3/FX RTN 3)	01
LD245	WA877100	LED (chip) Orange	TLOU1020(T14,MN)	E (ST IN 3/FX RTN 3)	01
LD246	WA877100	LED (chip) Orange	TLOU1020(T14,MN)	F (ST IN 3/FX RTN 3)	01
LD247	WA877100	LED (chip) Orange	TLOU1020(T14,MN)	ON (ST IN 3/FX RTN 3)	01
LD248	WA877100	LED (chip) Orange	TLOU1020(T14,MN)	8 (ST IN 4/FX RTN 4)	01
LD249	WA877100	LED (chip) Orange	TLOU1020(T14,MN)	7 (ST IN 4/FX RTN 4)	01
LD250	WA877100	LED (chip) Orange	TLOU1020(T14,MN)	6 (ST IN 4/FX RTN 4)	01
LD251	WA877100	LED (chip) Orange	TLOU1020(T14,MN)	5 (ST IN 4/FX RTN 4)	01
LD252	WA877100	LED (chip) Orange	TLOU1020(T14,MN)	4 (ST IN 4/FX RTN 4)	01
LD253	WA877100	LED (chip) Orange	TLOU1020(T14,MN)	3 (ST IN 4/FX RTN 4)	01
LD254	WA877100	LED (chip) Orange	TLOU1020(T14,MN)	2 (ST IN 4/FX RTN 4)	01
LD255	WA877100	LED (chip) Orange	TLOU1020(T14,MN)	1 (ST IN 4/FX RTN 4)	01
LD256	WA877100	LED (chip) Orange	TLOU1020(T14,MN)	9 (ST IN 4/FX RTN 4)	01
LD257	WA877100	LED (chip) Orange	TLOU1020(T14,MN)	A (ST IN 4/FX RTN 4)	01
LD258	WA877100	LED (chip) Orange	TLOU1020(T14,MN)	B (ST IN 4/FX RTN 4)	01
LD259	WA877100	LED (chip) Orange	TLOU1020(T14,MN)	C (ST IN 4/FX RTN 4)	01
LD260	WA877100	LED (chip) Orange	TLOU1020(T14,MN)	D (ST IN 4/FX RTN 4)	01
LD261	WA877100	LED (chip) Orange	TLOU1020(T14,MN)	E (ST IN 4/FX RTN 4)	01
LD262	WA877100	LED (chip) Orange	TLOU1020(T14,MN)	F (ST IN 4/FX RTN 4)	01
LD263	WA877100	LED (chip) Orange	TLOU1020(T14,MN)	ON (ST IN 4/FX RTN 4)	01
LD264	WA587900	LED (chip) Red	TLSU1020(T14,MN)	TO ST (ST IN 1/FX RTN 1)	01
LD265	WA877100	LED (chip) Orange	TLOU1020(T14,MN)	COMP (ST IN 1/FX RTN 1)	01
LD266	WA587900	LED (chip) Red	TLSU1020(T14,MN)	GATE (ST IN 1/FX RTN 1)	01
LD267	WA588100	LED (chip) Green	TLGU1020(T14,KL)	SEL (ST IN 1/FX RTN 1)	01
LD268	WA587900	LED (chip) Red	TLSU1020(T14,MN)	TO ST (ST IN 2/FX RTN 2)	01
LD269	WA877100	LED (chip) Orange	TLOU1020(T14,MN)	COMP (ST IN 2/FX RTN 2)	01
LD270	WA587900	LED (chip) Red	TLSU1020(T14,MN)	GATE (ST IN 2/FX RTN 2)	01
LD271	WA588100	LED (chip) Green	TLGU1020(T14,KL)	SEL (ST IN 2/FX RTN 2)	01
LD272	WA587900	LED (chip) Red	TLSU1020(T14,MN)	TO ST (ST IN 3/FX RTN 3)	01
LD273	WA877100	LED (chip) Orange	TLOU1020(T14,MN)	COMP (ST IN 3/FX RTN 3)	01
LD274	WA587900	LED (chip) Red	TLSU1020(T14,MN)	GATE (ST IN 3/FX RTN 3)	01
LD275	WA588100	LED (chip) Green	TLGU1020(T14,KL)	SEL (ST IN 3/FX RTN 3)	01
LD276	WA587900	LED (chip) Red	TLSU1020(T14,MN)	TO ST (ST IN 4/FX RTN 4)	01
LD277	WA877100	LED (chip) Orange	TLOU1020(T14,MN)	COMP (ST IN 4/FX RTN 4)	01
LD278	WA587900	LED (chip) Red	TLSU1020(T14,MN)	GATE (ST IN 4/FX RTN 4)	01
LD279	WA588100	LED (chip) Green	TLGU1020(T14,KL)	SEL (ST IN 4/FX RTN 4)	01
LD280	WA877100	LED (chip) Orange	TLOU1020(T14,MN)	1 (USER DEFINED KEYS)	01
LD281	WA877100	LED (chip) Orange	TLOU1020(T14,MN)	2 (USER DEFINED KEYS)	01
LD282	WA877100	LED (chip) Orange	TLOU1020(T14,MN)	3 (USER DEFINED KEYS)	01
LD283	WA877100	LED (chip) Orange	TLOU1020(T14,MN)	4 (USER DEFINED KEYS)	01
LD284	WA877100	LED (chip) Orange	TLOU1020(T14,MN)	5 (USER DEFINED KEYS)	01
LD285	WA877100	LED (chip) Orange	TLOU1020(T14,MN)	6 (USER DEFINED KEYS)	01
LD286	WA877100	LED (chip) Orange	TLOU1020(T14,MN)	7 (USER DEFINED KEYS)	01
LD287	WA877100	LED (chip) Orange	TLOU1020(T14,MN)	8 (USER DEFINED KEYS)	01
LD288	WA877100	LED (chip) Orange	TLOU1020(T14,MN)	9 (USER DEFINED KEYS)	01
LD289	WA877100	LED (chip) Orange	TLOU1020(T14,MN)	10 (USER DEFINED KEYS)	01
LD290	WA877100	LED (chip) Orange	TLOU1020(T14,MN)	11 (USER DEFINED KEYS)	01
LD291	WA877100	LED (chip) Orange	TLOU1020(T14,MN)	12 (USER DEFINED KEYS)	01
LD292	WA877100	LED (chip) Orange	TLOU1020(T14,MN)	13 (USER DEFINED KEYS)	01

*: New Parts

RANK: Japan only

REF NO.	PART NO.	DESCRIPTION	REMARKS	QTY	RANK
LD293	WA877100	LED (chip) Orange	TLOU1020(T14,MN)	14 (USER DEFINED KEYS)	01
LD294	WA877100	LED (chip) Orange	TLOU1020(T14,MN)	15 (USER DEFINED KEYS)	01
LD295	WA877100	LED (chip) Orange	TLOU1020(T14,MN)	16 (USER DEFINED KEYS)	01
LD296	WA877100	LED (chip) Orange	TLOU1020(T14,MN)	17 (USER DEFINED KEYS)	01
LD297	WA877100	LED (chip) Orange	TLOU1020(T14,MN)	18 (USER DEFINED KEYS)	01
LD298	WA877100	LED (chip) Orange	TLOU1020(T14,MN)	19 (USER DEFINED KEYS)	01
LD299	WA877100	LED (chip) Orange	TLOU1020(T14,MN)	20 (USER DEFINED KEYS)	01
LD300	WA877100	LED (chip) Orange	TLOU1020(T14,MN)	21 (USER DEFINED KEYS)	01
LD301	WA877100	LED (chip) Orange	TLOU1020(T14,MN)	22 (USER DEFINED KEYS)	01
LD302	WA877100	LED (chip) Orange	TLOU1020(T14,MN)	23 (USER DEFINED KEYS)	01
LD303	WA877100	LED (chip) Orange	TLOU1020(T14,MN)	24 (USER DEFINED KEYS)	01
LD304	WA587900	LED (chip) Red	TLGU1020(T14,KL)	PREVIEW (SCENE MEMORY)	01
LD305	WA588100	LED (chip) Green	TLGU1020(T14,KL)	OUTPUT (CUE)	01
LD306	WC153200	LED (chip) Yellow	TLVY1020(T14,JK)	DCA (CUE)	01
LD307	WA587900	LED (chip) Red	TLGU1020(T14,KL)	INPUT (CUE)	01
LD308	WA587900	LED (chip) Red	TLGU1020(T14,KL)	SOLO (CUE)	01
LD309	WA877100	LED (chip) Orange	TLOU1020(T14,MN)	LAST CUE (CUE)	01
LD310	WA877100	LED (chip) Orange	TLOU1020(T14,MN)	OUTPUT PFL (CUE)	01
LD311	WA588100	LED (chip) Green	TLGU1020(T14,KL)	PRE (ST IN 4/FX RTN 4)	01
LD312	WA877100	LED (chip) Orange	TLOU1020(T14,MN)	2TR IN A1 (MONITOR)	01
LD313	WA877100	LED (chip) Orange	TLOU1020(T14,MN)	2TR IN D1 (MONITOR)	01
LD314	WA877100	LED (chip) Orange	TLOU1020(T14,MN)	2TR IN D2 (MONITOR)	01
LD315	WA877100	LED (chip) Orange	TLOU1020(T14,MN)	2TR IN D3 (MONITOR)	01
LD316	WA877100	LED (chip) Orange	TLOU1020(T14,MN)	ON (MONITOR)	01
LD317	WA588100	LED (chip) Green	TLGU1020(T14,KL)	PRE (ST IN 1/FX RTN 1)	01
LD318	WA588100	LED (chip) Green	TLGU1020(T14,KL)	PRE (ST IN 2/FX RTN 2)	01
LD319	WA588100	LED (chip) Green	TLGU1020(T14,KL)	PRE (ST IN 3/FX RTN 3)	01
LD320	WA877100	LED (chip) Orange	TLOU1020(T14,MN)	2TR IN A2 (MONITOR)	01
LD321	WA877100	LED (chip) Orange	TLOU1020(T14,MN)	STEREO A (MONITOR)	01
LD322	WA877100	LED (chip) Orange	TLOU1020(T14,MN)	STEREO B (MONITOR)	01
LD323	WA877100	LED (chip) Orange	TLOU1020(T14,MN)	DEFINE (MONITOR)	01
LD324	WA877100	LED (chip) Orange	TLOU1020(T14,MN)	MONO (MONITOR)	01
LD325	WA877100	LED (chip) Orange	TLOU1020(T14,MN)	ON (OSCILLATOR)	01
LD326	WA877100	LED (chip) Orange	TLOU1020(T14,MN)	ON (TALKBACK)	01
LD400	WA588100	LED (chip) Green	TLGU1020(T14,KL)	-60 (ST IN 1L/MATRIX 1)	01
LD401	WA588100	LED (chip) Green	TLGU1020(T14,KL)	-60 (ST IN 1R/MATRIX 2)	01
LD402	WA588100	LED (chip) Green	TLGU1020(T14,KL)	-60 (ST IN 2L/MATRIX 3)	01
LD403	WA588100	LED (chip) Green	TLGU1020(T14,KL)	-60 (ST IN 2R/MATRIX 4)	01
LD404	WA588100	LED (chip) Green	TLGU1020(T14,KL)	-60 (ST IN 3L/MATRIX 5)	01
LD405	WA588100	LED (chip) Green	TLGU1020(T14,KL)	-60 (ST IN 3R/MATRIX 6)	01
LD406	WA588100	LED (chip) Green	TLGU1020(T14,KL)	-60 (ST IN 4L/MATRIX 7)	01
LD407	WA588100	LED (chip) Green	TLGU1020(T14,KL)	-60 (ST IN 4R/MATRIX 8)	01
LD408	WA588100	LED (chip) Green	TLGU1020(T14,KL)	-50 (ST IN 1L/MATRIX 1)	01
LD409	WA588100	LED (chip) Green	TLGU1020(T14,KL)	-50 (ST IN 1R/MATRIX 2)	01
LD410	WA588100	LED (chip) Green	TLGU1020(T14,KL)	-50 (ST IN 2L/MATRIX 3)	01
LD411	WA588100	LED (chip) Green	TLGU1020(T14,KL)	-50 (ST IN 2R/MATRIX 4)	01
LD412	WA588100	LED (chip) Green	TLGU1020(T14,KL)	-50 (ST IN 3L/MATRIX 5)	01
LD413	WA588100	LED (chip) Green	TLGU1020(T14,KL)	-50 (ST IN 3R/MATRIX 6)	01
LD414	WA588100	LED (chip) Green	TLGU1020(T14,KL)	-50 (ST IN 4L/MATRIX 7)	01
LD415	WA588100	LED (chip) Green	TLGU1020(T14,KL)	-50 (ST IN 4R/MATRIX 8)	01
LD416	WA588100	LED (chip) Green	TLGU1020(T14,KL)	-40 (ST IN 1L/MATRIX 1)	01
LD417	WA588100	LED (chip) Green	TLGU1020(T14,KL)	-40 (ST IN 1R/MATRIX 2)	01
LD418	WA588100	LED (chip) Green	TLGU1020(T14,KL)	-40 (ST IN 2L/MATRIX 3)	01
LD419	WA588100	LED (chip) Green	TLGU1020(T14,KL)	-40 (ST IN 2R/MATRIX 4)	01
LD420	WA588100	LED (chip) Green	TLGU1020(T14,KL)	-40 (ST IN 3L/MATRIX 5)	01
LD421	WA588100	LED (chip) Green	TLGU1020(T14,KL)	-40 (ST IN 3R/MATRIX 6)	01
LD422	WA588100	LED (chip) Green	TLGU1020(T14,KL)	-40 (ST IN 4L/MATRIX 7)	01
LD423	WA588100	LED (chip) Green	TLGU1020(T14,KL)	-40 (ST IN 4R/MATRIX 8)	01
LD424	WA588100	LED (chip) Green	TLGU1020(T14,KL)	-30 (ST IN 1L/MATRIX 1)	01
LD425	WA588100	LED (chip) Green	TLGU1020(T14,KL)	-30 (ST IN 1R/MATRIX 2)	01
LD426	WA588100	LED (chip) Green	TLGU1020(T14,KL)	-30 (ST IN 2L/MATRIX 3)	01
LD427	WA588100	LED (chip) Green	TLGU1020(T14,KL)	-30 (ST IN 2R/MATRIX 4)	01
LD428	WA588100	LED (chip) Green	TLGU1020(T14,KL)	-30 (ST IN 3L/MATRIX 5)	01
LD429	WA588100	LED (chip) Green	TLGU1020(T14,KL)	-30 (ST IN 3R/MATRIX 6)	01
LD430	WA588100	LED (chip) Green	TLGU1020(T14,KL)	-30 (ST IN 4L/MATRIX 7)	01
LD431	WA588100	LED (chip) Green	TLGU1020(T14,KL)	-30 (ST IN 4R/MATRIX 8)	01
LD432	WA588100	LED (chip) Green	TLGU1020(T14,KL)	24 (ST IN 1L/MATRIX 1)	01
LD433	WA588100	LED (chip) Green	TLGU1020(T14,KL)	24 (ST IN 1R/MATRIX 2)	01
LD434	WA588100	LED (chip) Green	TLGU1020(T14,KL)	24 (ST IN 2L/MATRIX 3)	01
LD435	WA588100	LED (chip) Green	TLGU1020(T14,KL)	24 (ST IN 2R/MATRIX 4)	01

* New Parts

RANK: Japan only

REF. NO.	PART NO.	DESCRIPTION	REMARKS	QTY	RANK
LD436	WA588100	LED (chip) Green	TLGU1020(T14,KL)	-24 (ST IN 3L/MATRIX 5)	01
LD437	WA588100	LED (chip) Green	TLGU1020(T14,KL)	-24 (ST IN 3R/MATRIX 6)	01
LD438	WA588100	LED (chip) Green	TLGU1020(T14,KL)	-24 (ST IN 4L/MATRIX 7)	01
LD439	WA588100	LED (chip) Green	TLGU1020(T14,KL)	-24 (ST IN 4R/MATRIX 8)	01
LD440	WA877100	LED (chip) Orange	TLOU1020(T14,MN)	-18 (ST IN 1L/MATRIX 1)	01
LD441	WA877100	LED (chip) Orange	TLOU1020(T14,MN)	-18 (ST IN 1R/MATRIX 2)	01
LD442	WA877100	LED (chip) Orange	TLOU1020(T14,MN)	-18 (ST IN 2L/MATRIX 3)	01
LD443	WA877100	LED (chip) Orange	TLOU1020(T14,MN)	-18 (ST IN 2R/MATRIX 4)	01
LD444	WA877100	LED (chip) Orange	TLOU1020(T14,MN)	-18 (ST IN 3L/MATRIX 5)	01
LD445	WA877100	LED (chip) Orange	TLOU1020(T14,MN)	-18 (ST IN 3R/MATRIX 6)	01
LD446	WA877100	LED (chip) Orange	TLOU1020(T14,MN)	-18 (ST IN 4L/MATRIX 7)	01
LD447	WA877100	LED (chip) Orange	TLOU1020(T14,MN)	-18 (ST IN 4R/MATRIX 8)	01
LD448	WA877100	LED (chip) Orange	TLOU1020(T14,MN)	-15 (ST IN 1L/MATRIX 1)	01
LD449	WA877100	LED (chip) Orange	TLOU1020(T14,MN)	-15 (ST IN 1R/MATRIX 2)	01
LD450	WA877100	LED (chip) Orange	TLOU1020(T14,MN)	-15 (ST IN 2L/MATRIX 3)	01
LD451	WA877100	LED (chip) Orange	TLOU1020(T14,MN)	-15 (ST IN 2R/MATRIX 4)	01
LD452	WA877100	LED (chip) Orange	TLOU1020(T14,MN)	-15 (ST IN 3L/MATRIX 5)	01
LD453	WA877100	LED (chip) Orange	TLOU1020(T14,MN)	-15 (ST IN 3R/MATRIX 6)	01
LD454	WA877100	LED (chip) Orange	TLOU1020(T14,MN)	-15 (ST IN 4L/MATRIX 7)	01
LD455	WA877100	LED (chip) Orange	TLOU1020(T14,MN)	-15 (ST IN 4R/MATRIX 8)	01
LD456	WA877100	LED (chip) Orange	TLOU1020(T14,MN)	-12 (ST IN 1L/MATRIX 1)	01
LD457	WA877100	LED (chip) Orange	TLOU1020(T14,MN)	-12 (ST IN 1R/MATRIX 2)	01
LD458	WA877100	LED (chip) Orange	TLOU1020(T14,MN)	-12 (ST IN 2L/MATRIX 3)	01
LD459	WA877100	LED (chip) Orange	TLOU1020(T14,MN)	-12 (ST IN 2R/MATRIX 4)	01
LD460	WA877100	LED (chip) Orange	TLOU1020(T14,MN)	-12 (ST IN 3L/MATRIX 5)	01
LD461	WA877100	LED (chip) Orange	TLOU1020(T14,MN)	-12 (ST IN 3R/MATRIX 6)	01
LD462	WA877100	LED (chip) Orange	TLOU1020(T14,MN)	-12 (ST IN 4L/MATRIX 7)	01
LD463	WA877100	LED (chip) Orange	TLOU1020(T14,MN)	-12 (ST IN 4R/MATRIX 8)	01
LD464	WA877100	LED (chip) Orange	TLOU1020(T14,MN)	-9 (ST IN 1L/MATRIX 1)	01
LD465	WA877100	LED (chip) Orange	TLOU1020(T14,MN)	-9 (ST IN 1R/MATRIX 2)	01
LD466	WA877100	LED (chip) Orange	TLOU1020(T14,MN)	-9 (ST IN 2L/MATRIX 3)	01
LD467	WA877100	LED (chip) Orange	TLOU1020(T14,MN)	-9 (ST IN 2R/MATRIX 4)	01
LD468	WA877100	LED (chip) Orange	TLOU1020(T14,MN)	-9 (ST IN 3L/MATRIX 5)	01
LD469	WA877100	LED (chip) Orange	TLOU1020(T14,MN)	-9 (ST IN 3R/MATRIX 6)	01
LD470	WA877100	LED (chip) Orange	TLOU1020(T14,MN)	-9 (ST IN 4L/MATRIX 7)	01
LD471	WA877100	LED (chip) Orange	TLOU1020(T14,MN)	-9 (ST IN 4R/MATRIX 8)	01
LD472	WA877100	LED (chip) Orange	TLOU1020(T14,MN)	-6 (ST IN 1L/MATRIX 1)	01
LD473	WA877100	LED (chip) Orange	TLOU1020(T14,MN)	-6 (ST IN 1R/MATRIX 2)	01
LD474	WA877100	LED (chip) Orange	TLOU1020(T14,MN)	-6 (ST IN 2L/MATRIX 3)	01
LD475	WA877100	LED (chip) Orange	TLOU1020(T14,MN)	-6 (ST IN 2R/MATRIX 4)	01
LD476	WA877100	LED (chip) Orange	TLOU1020(T14,MN)	-6 (ST IN 3L/MATRIX 5)	01
LD477	WA877100	LED (chip) Orange	TLOU1020(T14,MN)	-6 (ST IN 3R/MATRIX 6)	01
LD478	WA877100	LED (chip) Orange	TLOU1020(T14,MN)	-6 (ST IN 4L/MATRIX 7)	01
LD479	WA877100	LED (chip) Orange	TLOU1020(T14,MN)	-6 (ST IN 4R/MATRIX 8)	01
LD480	WA877100	LED (chip) Orange	TLOU1020(T14,MN)	-3 (ST IN 1L/MATRIX 1)	01
LD481	WA877100	LED (chip) Orange	TLOU1020(T14,MN)	-3 (ST IN 1R/MATRIX 2)	01
LD482	WA877100	LED (chip) Orange	TLOU1020(T14,MN)	-3 (ST IN 2L/MATRIX 3)	01
LD483	WA877100	LED (chip) Orange	TLOU1020(T14,MN)	-3 (ST IN 2R/MATRIX 4)	01
LD484	WA877100	LED (chip) Orange	TLOU1020(T14,MN)	-3 (ST IN 3L/MATRIX 5)	01
LD485	WA877100	LED (chip) Orange	TLOU1020(T14,MN)	-3 (ST IN 3R/MATRIX 6)	01
LD486	WA877100	LED (chip) Orange	TLOU1020(T14,MN)	-3 (ST IN 4L/MATRIX 7)	01
LD487	WA877100	LED (chip) Orange	TLOU1020(T14,MN)	-3 (ST IN 4R/MATRIX 8)	01
LD488	WA587900	LED (chip) Red	TLSU1020(T14,MN)	OVER (ST IN 1L/MATRIX 1)	01
LD489	WA587900	LED (chip) Red	TLSU1020(T14,MN)	OVER (ST IN 1R/MATRIX 2)	01
LD490	WA587900	LED (chip) Red	TLSU1020(T14,MN)	OVER (ST IN 2L/MATRIX 3)	01
LD491	WA587900	LED (chip) Red	TLSU1020(T14,MN)	OVER (ST IN 2R/MATRIX 4)	01
LD492	WA587900	LED (chip) Red	TLSU1020(T14,MN)	OVER (ST IN 3L/MATRIX 5)	01
LD493	WA587900	LED (chip) Red	TLSU1020(T14,MN)	OVER (ST IN 3R/MATRIX 6)	01
LD494	WA587900	LED (chip) Red	TLSU1020(T14,MN)	OVER (ST IN 4L/MATRIX 7)	01
LD495	WA587900	LED (chip) Red	TLSU1020(T14,MN)	OVER (ST IN 4R/MATRIX 8)	01
LD496	WA588100	LED (chip) Green	TLGU1020(T14,KL)	-60 (STEREO A L)	01
LD497	WA588100	LED (chip) Green	TLGU1020(T14,KL)	-60 (STEREO A R)	01
LD498	WA588100	LED (chip) Green	TLGU1020(T14,KL)	-60 (STEREO B L)	01
LD499	WA588100	LED (chip) Green	TLGU1020(T14,KL)	-60 (STEREO B R)	01
LD500	WA588100	LED (chip) Green	TLGU1020(T14,KL)	-60 (CUE L)	01
LD501	WA588100	LED (chip) Green	TLGU1020(T14,KL)	-60 (CUE R)	01
LD502	WA588100	LED (chip) Green	TLGU1020(T14,KL)	-50 (STEREO A L)	01
LD503	WA588100	LED (chip) Green	TLGU1020(T14,KL)	-50 (STEREO A R)	01
LD504	WA588100	LED (chip) Green	TLGU1020(T14,KL)	-50 (STEREO B L)	01
LD505	WA588100	LED (chip) Green	TLGU1020(T14,KL)	-50 (STEREO B R)	01

*: New Parts

RANK: Japan only

REF NO.	PART NO.	DESCRIPTION	REMARKS	QTY	RANK	
LD506	WA588100	LED (chip) Green	TLGU1020(T14,KL)		-50 (CUE L)	01
LD507	WA588100	LED (chip) Green	TLGU1020(T14,KL)		-50 (CUE R)	01
LD508	WA588100	LED (chip) Green	TLGU1020(T14,KL)		-40 (STEREO A L)	01
LD509	WA588100	LED (chip) Green	TLGU1020(T14,KL)		-40 (STEREO A R)	01
LD510	WA588100	LED (chip) Green	TLGU1020(T14,KL)		-40 (STEREO B L)	01
LD511	WA588100	LED (chip) Green	TLGU1020(T14,KL)		-40 (STEREO B R)	01
LD512	WA588100	LED (chip) Green	TLGU1020(T14,KL)		-40 (CUE L)	01
LD513	WA588100	LED (chip) Green	TLGU1020(T14,KL)		-40 (CUE R)	01
LD514	WA588100	LED (chip) Green	TLGU1020(T14,KL)		-30 (STEREO A L)	01
LD515	WA588100	LED (chip) Green	TLGU1020(T14,KL)		-30 (STEREO A R)	01
LD516	WA588100	LED (chip) Green	TLGU1020(T14,KL)		-30 (STEREO B L)	01
LD517	WA588100	LED (chip) Green	TLGU1020(T14,KL)		-30 (STEREO B R)	01
LD518	WA588100	LED (chip) Green	TLGU1020(T14,KL)		-30 (CUE L)	01
LD519	WA588100	LED (chip) Green	TLGU1020(T14,KL)		-30 (CUE R)	01
LD520	WA588100	LED (chip) Green	TLGU1020(T14,KL)		-24 (STEREO A L)	01
LD521	WA588100	LED (chip) Green	TLGU1020(T14,KL)		-24 (STEREO A R)	01
LD522	WA588100	LED (chip) Green	TLGU1020(T14,KL)		-24 (STEREO B L)	01
LD523	WA588100	LED (chip) Green	TLGU1020(T14,KL)		-24 (STEREO B R)	01
LD524	WA588100	LED (chip) Green	TLGU1020(T14,KL)		-24 (CUE L)	01
LD525	WA588100	LED (chip) Green	TLGU1020(T14,KL)		-24 (CUE R)	01
LD526	WA877100	LED (chip) Orange	TLOU1020(T14,MN)		-18 (STEREO A L)	01
LD527	WA877100	LED (chip) Orange	TLOU1020(T14,MN)		-18 (STEREO A R)	01
LD528	WA877100	LED (chip) Orange	TLOU1020(T14,MN)		-18 (STEREO B L)	01
LD529	WA877100	LED (chip) Orange	TLOU1020(T14,MN)		-18 (STEREO B R)	01
LD530	WA877100	LED (chip) Orange	TLOU1020(T14,MN)		-18 (CUE L)	01
LD531	WA877100	LED (chip) Orange	TLOU1020(T14,MN)		-18 (CUE R)	01
LD532	WA877100	LED (chip) Orange	TLOU1020(T14,MN)		-15 (STEREO A L)	01
LD533	WA877100	LED (chip) Orange	TLOU1020(T14,MN)		-15 (STEREO A R)	01
LD534	WA877100	LED (chip) Orange	TLOU1020(T14,MN)		-15 (STEREO B L)	01
LD535	WA877100	LED (chip) Orange	TLOU1020(T14,MN)		-15 (STEREO B R)	01
LD536	WA877100	LED (chip) Orange	TLOU1020(T14,MN)		-15 (CUE L)	01
LD537	WA877100	LED (chip) Orange	TLOU1020(T14,MN)		-15 (CUE R)	01
LD538	WA877100	LED (chip) Orange	TLOU1020(T14,MN)		-12 (STEREO A L)	01
LD539	WA877100	LED (chip) Orange	TLOU1020(T14,MN)		-12 (STEREO A R)	01
LD540	WA877100	LED (chip) Orange	TLOU1020(T14,MN)		-12 (STEREO B L)	01
LD541	WA877100	LED (chip) Orange	TLOU1020(T14,MN)		-12 (STEREO B R)	01
LD542	WA877100	LED (chip) Orange	TLOU1020(T14,MN)		-12 (CUE L)	01
LD543	WA877100	LED (chip) Orange	TLOU1020(T14,MN)		-12 (CUE R)	01
LD544	WA877100	LED (chip) Orange	TLOU1020(T14,MN)		-9 (STEREO A L)	01
LD545	WA877100	LED (chip) Orange	TLOU1020(T14,MN)		-9 (STEREO A R)	01
LD546	WA877100	LED (chip) Orange	TLOU1020(T14,MN)		-9 (STEREO B L)	01
LD547	WA877100	LED (chip) Orange	TLOU1020(T14,MN)		-9 (STEREO B R)	01
LD548	WA877100	LED (chip) Orange	TLOU1020(T14,MN)		-9 (CUE L)	01
LD549	WA877100	LED (chip) Orange	TLOU1020(T14,MN)		-9 (CUE R)	01
LD550	WA877100	LED (chip) Orange	TLOU1020(T14,MN)		-6 (STEREO A L)	01
LD551	WA877100	LED (chip) Orange	TLOU1020(T14,MN)		-6 (STEREO A R)	01
LD552	WA877100	LED (chip) Orange	TLOU1020(T14,MN)		-6 (STEREO B L)	01
LD553	WA877100	LED (chip) Orange	TLOU1020(T14,MN)		-6 (STEREO B R)	01
LD554	WA877100	LED (chip) Orange	TLOU1020(T14,MN)		-6 (CUE L)	01
LD555	WA877100	LED (chip) Orange	TLOU1020(T14,MN)		-6 (CUE R)	01
LD556	WA877100	LED (chip) Orange	TLOU1020(T14,MN)		-3 (STEREO A L)	01
LD557	WA877100	LED (chip) Orange	TLOU1020(T14,MN)		-3 (STEREO A R)	01
LD558	WA877100	LED (chip) Orange	TLOU1020(T14,MN)		-3 (STEREO B L)	01
LD559	WA877100	LED (chip) Orange	TLOU1020(T14,MN)		-3 (STEREO B R)	01
LD560	WA877100	LED (chip) Orange	TLOU1020(T14,MN)		-3 (CUE L)	01
LD561	WA877100	LED (chip) Orange	TLOU1020(T14,MN)		-3 (CUE R)	01
LD562	WA587900	LED (chip) Red	TLSU1020(T14,MN)		OVER (STEREO A L)	01
LD563	WA587900	LED (chip) Red	TLSU1020(T14,MN)		OVER (STEREO A R)	01
LD564	WA587900	LED (chip) Red	TLSU1020(T14,MN)		OVER (STEREO B L)	01
LD565	WA587900	LED (chip) Red	TLSU1020(T14,MN)		OVER (STEREO B R)	01
LD566	WA587900	LED (chip) Red	TLSU1020(T14,MN)		OVER (CUE L)	01
LD567	WA587900	LED (chip) Red	TLSU1020(T14,MN)		OVER (CUE R)	01
LD900	WA877100	LED (chip) Orange	TLOU1020(T14,MN)		DIRECT RECALL	01
LD901	WA587900	LED (chip) Red	TLSU1020(T14,MN)		MUTE MASTER	01
LD902	V3990100	LED (chip) Red	FR1105W		1 (SCENE MEMORY)	01
LD903	V3990100	LED (chip) Red	FR1105W		2 (SCENE MEMORY)	01
LD904	V3990100	LED (chip) Red	FR1105W		3 (SCENE MEMORY)	01
LD905	V3990100	LED (chip) Red	FR1105W		4 (SCENE MEMORY)	01
LD906	V3990100	LED (chip) Red	FR1105W		5 (SCENE MEMORY)	01
LD907	V3990100	LED (chip) Red	FR1105W		6 (SCENE MEMORY)	01

* New Parts

RANK: Japan only

PM5D/PM5D-RH

REF NO.	PART NO.	DESCRIPTION	REMARKS	QTY	RANK
LD908	V3990100	LED (chip) Red	FR1105W		01
LD909	V3990100	LED (chip) Red	FR1105W		01
LD999	WA587900	LED (chip) Red	TLSU1020(T14,MN)		01
R101	RD355330	Carbon Resistor (chip)	330.0 63M J		01
R102	RD356300	Carbon Resistor (chip)	3.0K 63M J		01
R103	RD355220	Carbon Resistor (chip)	220.0 63M J		01
R104	RD357100	Carbon Resistor (chip)	10.0K 63M J		01
R106	RD357100	Carbon Resistor (chip)	10.0K 63M J		01
R108	RD357100	Carbon Resistor (chip)	10.0K 63M J		01
R111	RD357100	Carbon Resistor (chip)	10.0K 63M J		01
R114	RD355100	Carbon Resistor (chip)	100.0 63M J		01
-117	RD355100	Carbon Resistor (chip)	100.0 63M J		01
R132	RD356100	Carbon Resistor (chip)	1.0K 63M J		01
R133	RD355100	Carbon Resistor (chip)	100.0 63M J		01
R134	RD356100	Carbon Resistor (chip)	1.0K 63M J		01
R137	RD354470	Carbon Resistor (chip)	47.0 63M J		01
R200	RD356100	Carbon Resistor (chip)	1.0K 63M J		01
R201	RD359100	Carbon Resistor (chip)	1.0M 63M J		01
R202	RD354820	Carbon Resistor (chip)	82.0 63M J		01
-211	RD354820	Carbon Resistor (chip)	82.0 63M J		01
R212	RD350000	Carbon Resistor (chip)	0 63M J		01
R213	RD354820	Carbon Resistor (chip)	82.0 63M J		01
R214	RD354820	Carbon Resistor (chip)	82.0 63M J		01
R300	RD355390	Carbon Resistor (chip)	390.0 63M J		01
-306	RD355390	Carbon Resistor (chip)	390.0 63M J		01
R307	RD350000	Carbon Resistor (chip)	0 63M J		01
-313	RD350000	Carbon Resistor (chip)	0 63M J		01
R350	RD354820	Carbon Resistor (chip)	82.0 63M J		01
-355	RD354820	Carbon Resistor (chip)	82.0 63M J		01
R400	RD355120	Carbon Resistor (chip)	120.0 63M J		01
-402	RD355120	Carbon Resistor (chip)	120.0 63M J		01
R404	RD355120	Carbon Resistor (chip)	120.0 63M J		01
-407	RD355120	Carbon Resistor (chip)	120.0 63M J		01
R412	RD355120	Carbon Resistor (chip)	120.0 63M J		01
-419	RD355120	Carbon Resistor (chip)	120.0 63M J		01
R424	RD355120	Carbon Resistor (chip)	120.0 63M J		01
-431	RD355120	Carbon Resistor (chip)	120.0 63M J		01
R434	RD355120	Carbon Resistor (chip)	120.0 63M J		01
R435	RD355120	Carbon Resistor (chip)	120.0 63M J		01
R900	RD357100	Carbon Resistor (chip)	10.0K 63M J		01
-903	RD357100	Carbon Resistor (chip)	10.0K 63M J		01
RA101	RE047100	Resistor Array	10KX4		01
RA103	RE047100	Resistor Array	10KX4		01
-119	RE047100	Resistor Array	10KX4		01
RA121	RE047100	Resistor Array	10KX4		01
RA200	RE047100	Resistor Array	10KX4		01
RA201	RE047100	Resistor Array	10KX4		01
RA202	RE044820	Resistor Array	82X4		01
RA250	RE046100	Resistor Array	1KX4		01
-253	RE046100	Resistor Array	1KX4		01
RA254	RE044470	Resistor Array	47X4		01
RA255	RE044470	Resistor Array	47X4		01
RA400	RE046220	Resistor Array	2.2KX4		01
RA401	RE046220	Resistor Array	2.2KX4		01
RA403	RE046220	Resistor Array	2.2KX4		01
RA405	RE046220	Resistor Array	2.2KX4		01
-406	RE046220	Resistor Array	2.2KX4		01
RA801	RE047100	Resistor Array	10KX4		01
RA803	RE047100	Resistor Array	10KX4		01
RA807	RE047100	Resistor Array	10KX4		01
RA808	RE047100	Resistor Array	10KX4		01
RA809	RE045100	Resistor Array	100X4		01
-813	RE045100	Resistor Array	100X4		01
RA908	RE047100	Resistor Array	10KX4		01
-911	RE047100	Resistor Array	10KX4		01
SW100	V4857900	Tact Switch	SKHWAA		01
SW101	V4857900	Tact Switch	SKHWAA	PREVIEW (SCENE MEMORY)	01
SW102	VR531200	Push Switch	ML1A-11JW	UNDO (SCENE MEMORY)	02
SW103	VR531200	Push Switch	ML1A-11JW	STORE (SCENE MEMORY)	02
SW104	VR531200	Push Switch	ML1A-11JW	RECALL (SCENE MEMORY)	02
				Cursor (Up) (SCENE MEMORY)	02

*: New Parts

RANK: Japan only

REF NO.	PART NO.	DESCRIPTION	REMARKS	QTY	RANK
SW105	VR531200	Push Switch	ML1A-11JW		02
SW106	V4857900	Tact Switch	SKHWAA		01
SW107	V4857900	Tact Switch	SKHWAA		01
SW108	V4857900	Tact Switch	SKHWAA		01
SW109	V4857900	Tact Switch	SKHWAA		01
SW110	V4857900	Tact Switch	SKHWAA		01
SW111	V4857900	Tact Switch	SKHWAA		01
SW112	V4857900	Tact Switch	SKHWAA		01
SW113	V4857900	Tact Switch	SKHWAA		01
SW114	V4857900	Tact Switch	SKHWAA		01
SW115	V4857900	Tact Switch	SKHWAA		01
SW116	V4857900	Tact Switch	SKHWAA		01
SW117	V4857900	Tact Switch	SKHWAA		01
SW118	V4857900	Tact Switch	SKHWAA		01
SW119	V4857900	Tact Switch	SKHWAA		01
SW120	V4857900	Tact Switch	SKHWAA		01
SW121	V4857900	Tact Switch	SKHWAA		01
SW122	V4857900	Tact Switch	SKHWAA		01
SW123	V4857900	Tact Switch	SKHWAA		01
SW124	V4857900	Tact Switch	SKHWAA		01
SW500	V4857900	Tact Switch	SKHWAA		01
SW501	V4857900	Tact Switch	SKHWAA		01
SW502	V4857900	Tact Switch	SKHWAA		01
SW503	V4857900	Tact Switch	SKHWAA		01
SW504	V4857900	Tact Switch	SKHWAA		01
SW505	V4857900	Tact Switch	SKHWAA		01
SW506	V4857900	Tact Switch	SKHWAA		01
SW507	V4857900	Tact Switch	SKHWAA		01
SW508	V4857900	Tact Switch	SKHWAA		01
SW509	V4857900	Tact Switch	SKHWAA		01
SW510	V4857900	Tact Switch	SKHWAA		01
SW511	V4857900	Tact Switch	SKHWAA		01
SW512	V4857900	Tact Switch	SKHWAA		01
SW513	V4857900	Tact Switch	SKHWAA		01
SW514	V4857900	Tact Switch	SKHWAA		01
SW515	V4857900	Tact Switch	SKHWAA		01
SW516	V4857900	Tact Switch	SKHWAA		01
SW517	V4857900	Tact Switch	SKHWAA		01
SW518	V4857900	Tact Switch	SKHWAA		01
SW519	V4857900	Tact Switch	SKHWAA		01
SW520	V4857900	Tact Switch	SKHWAA		01
SW521	V4857900	Tact Switch	SKHWAA		01
SW522	V4857900	Tact Switch	SKHWAA		01
SW523	V4857900	Tact Switch	SKHWAA		01
SW524	V4857900	Tact Switch	SKHWAA		01
SW525	V4857900	Tact Switch	SKHWAA		01
SW526	V4857900	Tact Switch	SKHWAA		01
SW527	V4857900	Tact Switch	SKHWAA		01
SW528	V4857900	Tact Switch	SKHWAA		01
SW529	V4857900	Tact Switch	SKHWAA		01
SW530	V4857900	Tact Switch	SKHWAA		01
SW531	V4857900	Tact Switch	SKHWAA		01
SW532	V4857900	Tact Switch	SKHWAA		01
SW533	V4857900	Tact Switch	SKHWAA		01
SW534	V4857900	Tact Switch	SKHWAA		01
SW535	V4857900	Tact Switch	SKHWAA		01
SW536	V4857900	Tact Switch	SKHWAA		01
SW537	V4857900	Tact Switch	SKHWAA		01
SW538	V4857900	Tact Switch	SKHWAA		01
SW539	V4857900	Tact Switch	SKHWAA		01
SW540	V4857900	Tact Switch	SKHWAA		01
SW541	V4857900	Tact Switch	SKHWAA		01
SW542	V4857900	Tact Switch	SKHWAA		01
SW543	V4857900	Tact Switch	SKHWAA		01
SW544	V4857900	Tact Switch	SKHWAA		01
SW545	V4857900	Tact Switch	SKHWAA		01
SW546	V4857900	Tact Switch	SKHWAA		01
SW547	V4857900	Tact Switch	SKHWAA		01
SW548	V4857900	Tact Switch	SKHWAA		01
SW549	V4857900	Tact Switch	SKHWAA		01

* New Parts

RANK: Japan only

PM5D/PM5D-RH

REF NO.	PART NO.	DESCRIPTION		REMARKS	QTY	RANK
SW550	V4857900	Tact Switch	SKHWAA	ON (ST IN 3/FX RTN 3)		01
SW551	V4857900	Tact Switch	SKHWAA	ON (ST IN 4/FX RTN 4)		01
SW552	V4857900	Tact Switch	SKHWAA	SEL (ST IN 1/FX RTN 1)		01
SW553	V4857900	Tact Switch	SKHWAA	SEL (ST IN 2/FX RTN 2)		01
SW554	V4857900	Tact Switch	SKHWAA	SEL (ST IN 3/FX RTN 3)		01
SW555	V4857900	Tact Switch	SKHWAA	SEL (ST IN 4/FX RTN 4)		01
SW900	V3612000	Push Switch	SPPH131000	1 (SCENE MEMORY)		03
SW901	V3612000	Push Switch	SPPH131000	2 (SCENE MEMORY)		03
SW902	V3612000	Push Switch	SPPH131000	3 (SCENE MEMORY)		03
SW903	V3612000	Push Switch	SPPH131000	4 (SCENE MEMORY)		03
SW904	V3612000	Push Switch	SPPH131000	5 (SCENE MEMORY)		03
SW905	V3612000	Push Switch	SPPH131000	6 (SCENE MEMORY)		03
SW906	V3612000	Push Switch	SPPH131000	7 (SCENE MEMORY)		03
SW907	V3612000	Push Switch	SPPH131000	8 (SCENE MEMORY)		03
TA200	V7723400	Transistor Array	TD62381F(EL)			04
TA201	V7723400	Transistor Array	TD62381F(EL)			04
WH000	--	Jumper Wire	FVP-2.0C26SB13-75	(WB24580)		
X100	V3990700	Ceramic Resonator	CSTCC7M18G56-R0			01
X200	WA782100	Ceramic Resonator	5MHz CSTCR5M00G59-R0			
	V5049800	Circuit Board	TPSW	(XY468A0)		16
CN101	VB858300	Connector Base Post	PH 4P SE			01
CN102	VN517600	Connector, FFC	FM 8P SE			01
KB101	V5453800	Knob	TP	Track pad (Left)		04
KB102	V5453800	Knob	TP	Track pad (Right)		04
R101	HF457100	Carbon Resistor	10.0K 1/4 J			01
R102	HF457100	Carbon Resistor	10.0K 1/4 J			01
SW101	V4857900	Tact Switch	SKHWAA	Track pad (Left)		01
SW102	V4857900	Tact Switch	SKHWAA	Track pad (Right)		01
	V5789100	Motor	DC KDE1208PT53-6	Fan	2	09
	WB059300	LCD	TM1005V-02L02			
	WB221500	DC-AC Inverter	CXA-L0612A-VSL			
	VN103500	Lithium Battery	CR2032			03
	WC384100	Receptacle Assembly	VH 5P:9P/10P	DC POWER INPUT		
	V5647300	Cannon Connector	HA16PRK-4S	LAMP	3	07
	WB486900	Motor Drive Fader Assembly	3P, RSA0K11V900D B10K	CH 1-24/CH 25-48	24	
	WB486900	Motor Drive Fader Assembly	3P, RSA0K11V900D B10K	DCA 1-8, STEREO A,B, ST IN 1-4/FX RTN 1-4	14	

*: New Parts

RANK: J apan only

DIGITAL MIXING CONSOLE

PM5D/PM5D-RH

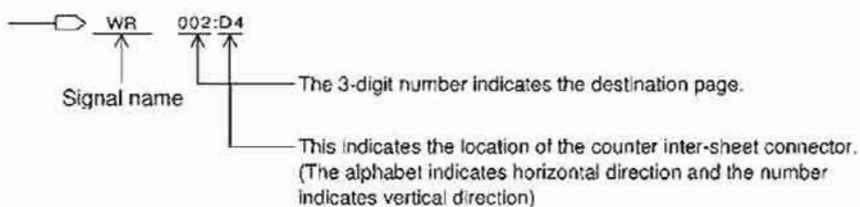
CIRCUIT DIAGRAM

■ CONTENTS

BLOCK DIAGRAM	3
PM5D OVERALL CONNECTOR CIRCUIT DIAGRAM	14
PM5D-RH OVERALL CONNECTOR CIRCUIT DIAGRAM	22
CIRCUIT DIAGRAM	
AD1 (PM5D)	30
AD2 (PM5D)	31
AD3 (PM5D-RH) (001~008)	32
ANI1 (PM5D)	41
ANI2 (PM5D)	42
ANI3	43
BRG1 (002~007)	44
BRG2	50
BRG3	51
BRG4	52
BRG5	53
CN1R (PM5D-RH)	54
CUVOL	55
DA1	56
DA2	57
DA3	58
DR	59
DRL	59
DRN	59
DSP (002~024)	60
FDA (002~008)	83
FDB (002~010)	90
FDC (002~010)	99
HIC-HA (PM5D-RH)	40
JK1 (002~007)	108
JK2 (002~007)	114
LED (PM5D)	42
LD (PM5D-RH)	120
LPVOL (PM5D)	121
LPVOL (PM5D-RH)	122
MAIN (002~008)	123
MNVOL	130
OPT	131
PHN1	132
PHN2	133
PN1 (002~010)	134
PN2 (002~006)	143
PN3 (002,003)	148
PN4 (001,002)	150
PN5 (002,003)	152
PN6 (002,003)	154
PN8 (1/2) (001)	156
PN8 (2/2) (002)	157
SL (002~015)	158
SR (1/2) (002~014)	172
SR (2/2) (015)	185
STLD (PM5D-RH)	186
SW48 (PM5D-RH)	187
TB	188
TBVOL	189
TPSW	190

Notation for Circuit Diagrams

1. How to identify inter-sheet connectors



Note: See parts list for details of circuit board component parts.

H

G

F

E

D

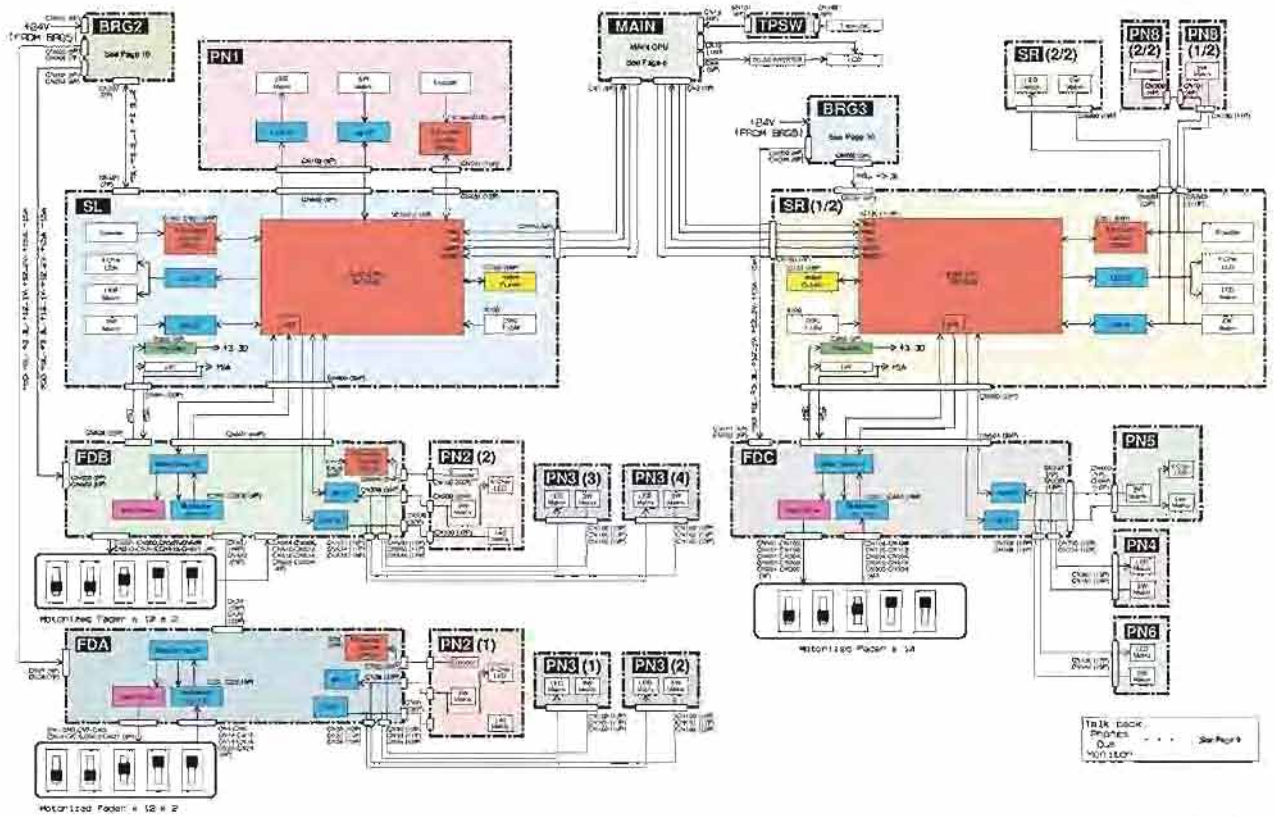
C

B

A

■ BLOCK DIAGRAM 001 (PM5D/PM5D-RH)

PM5D/PM5D-RH



28CA1-8830946-1

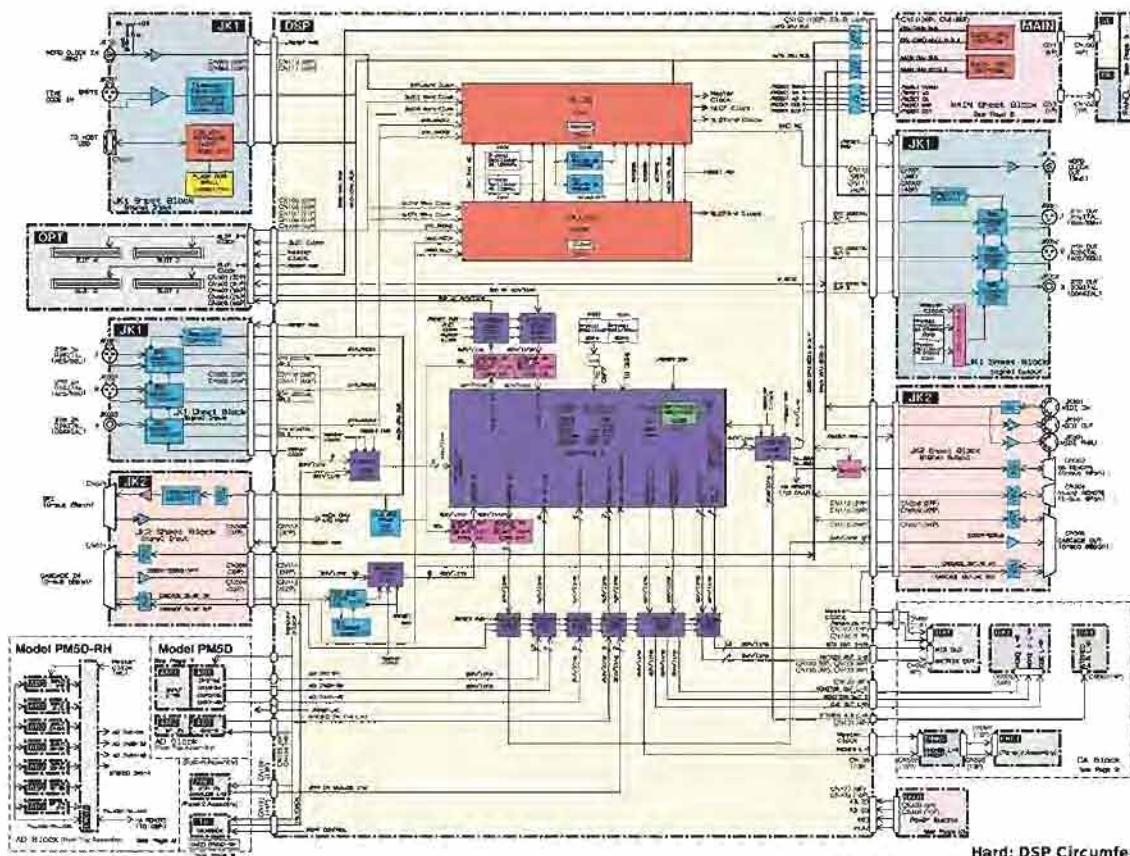
Hard: Panel Block
■ BLOCK DIAGRAM 001 (PM5D/PM5D-RH)

1
2
3
4
5
6

A B C D E F G H

■ BLOCK DIAGRAM 002 (PM5D/PM5D-RH)

PM5D/PM5D-RH



Hard: DSP Circumference Block

■ BLOCK DIAGRAM 002 (PM5D/PM5D-RH)

28CA1-8830946-2

H

G

F

E

D

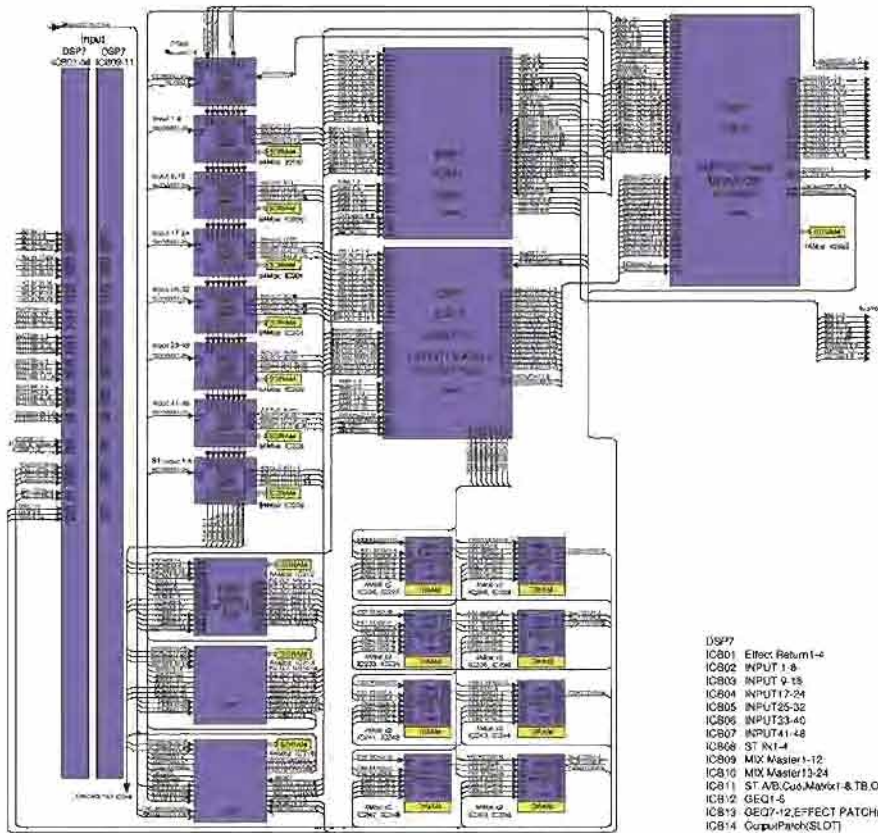
C

B

A

■ BLOCK DIAGRAM 003 (PM5D/PM5D-RH)

PM5D/PM5D-RH



- DSP7
- IC801 Effect Return 1-4
- IC802 INPUT 1-8
- IC803 INPUT 9-15
- IC804 INPUT 17-24
- IC805 INPUT 25-32
- IC806 INPUT 33-40
- IC807 INPUT 41-48
- IC808 ST Input 1-4
- IC809 MIX Master 1-12
- IC810 MIX Master 13-24
- IC811 ST A/D, Cuts Matrix & TB. OSC
- IC812 GEQ1-6
- IC813 GEQ7-12, EFFECT PATCH(SLOT)
- IC814 Output Patch(SLOT)

28CA1-8830946-3

■ BLOCK DIAGRAM 003 (PM5D/PM5D-RH) Hard: DSP Block

H

G

F

E

D

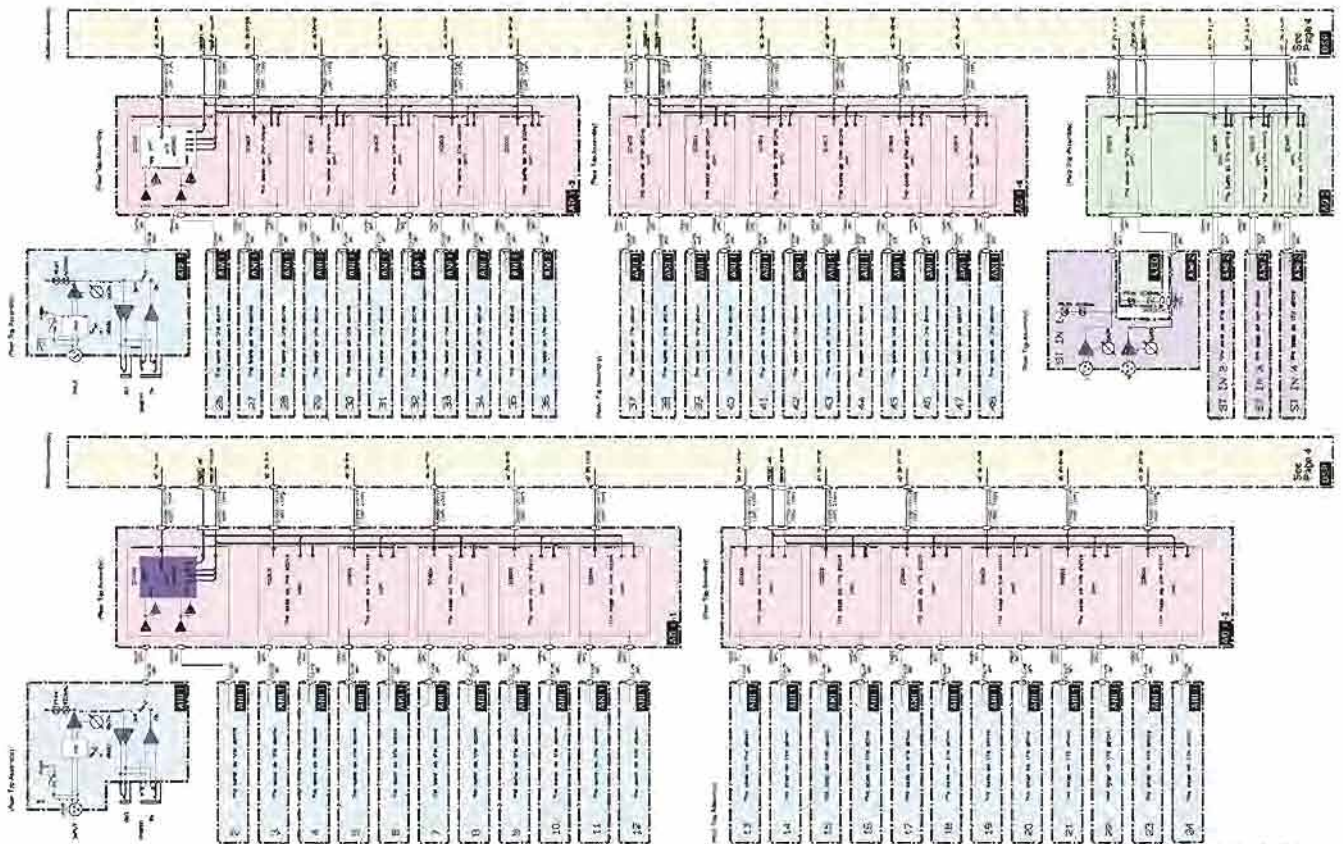
C

B

A

■ BLOCK DIAGRAM 005 (PM5D)

PM5D



28CA1-8830946-5

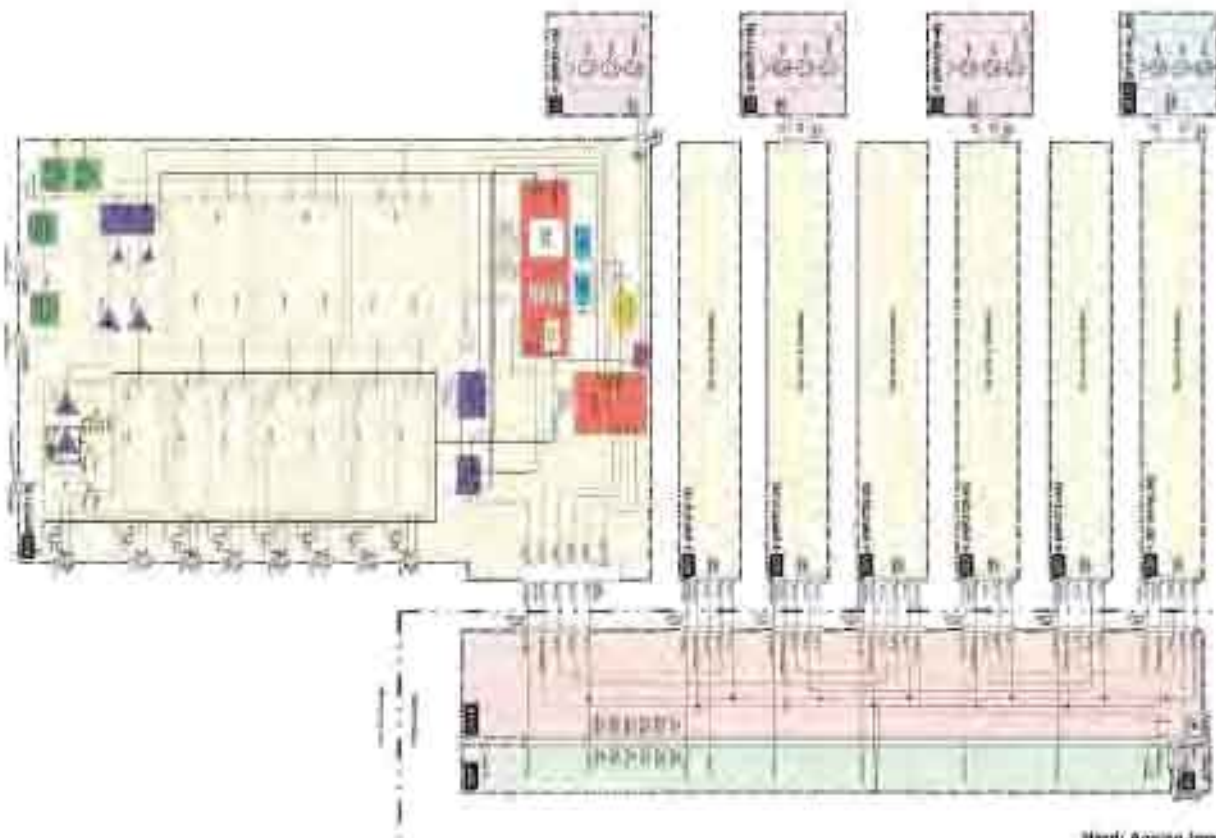
Hard: Analog Input Block
■ BLOCK DIAGRAM 005 (PM5D)

1
2
3
4
5
6
7

A B C D E F G H

■ BLOCK DIAGRAM 006 (PMSD-RH)

PMSD-RH



Hard Analog Input Block

■ BLOCK DIAGRAM 006 (PMSD-RH)

280A1-583(2)46-R

H

G

F

E

D

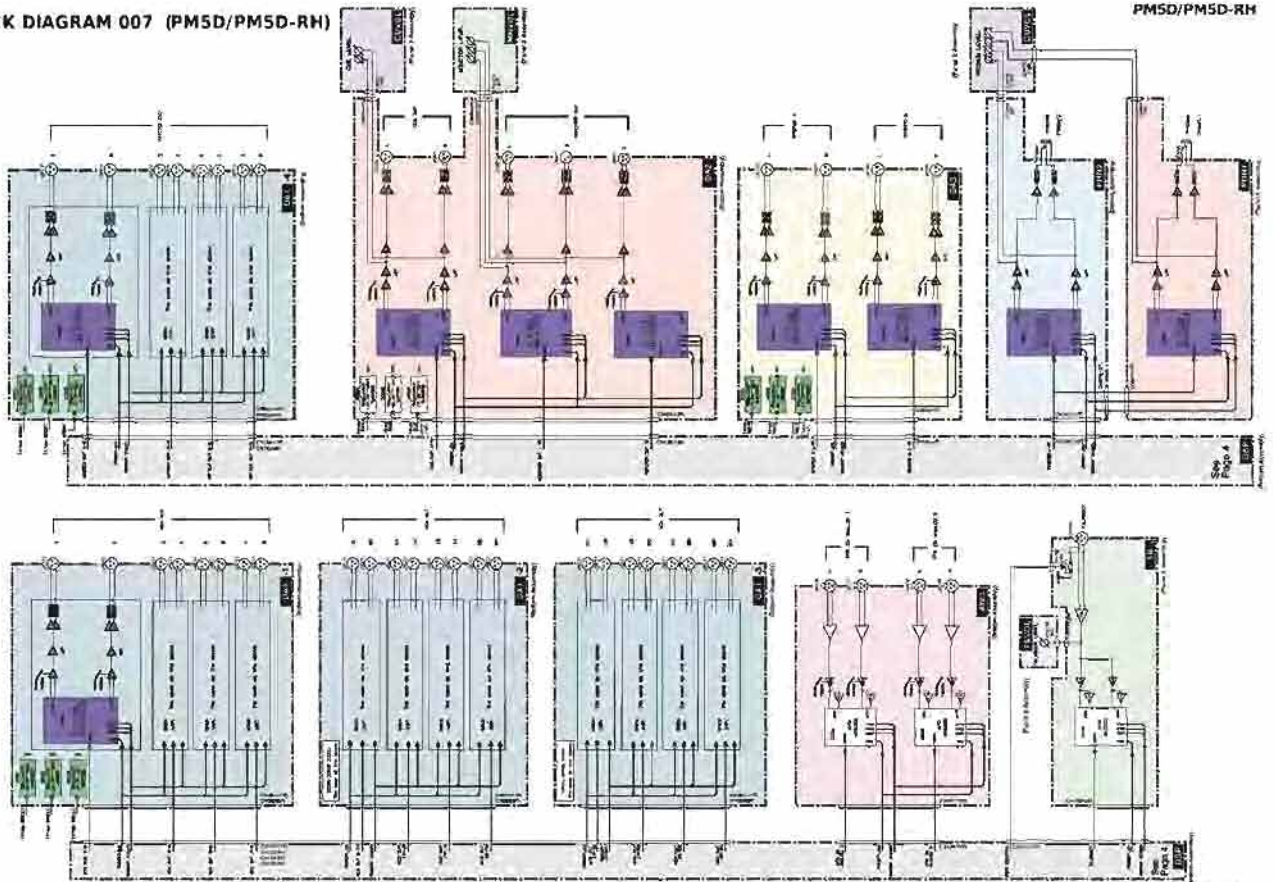
C

B

A

■ BLOCK DIAGRAM 007 (PM5D/PM5D-RH)

PM5D/PM5D-RH



28CA1-8830946-7

Hard: Analog I/O Block
■ BLOCK DIAGRAM 007 (PM5D/PM5D-RH)

1

2

3

4

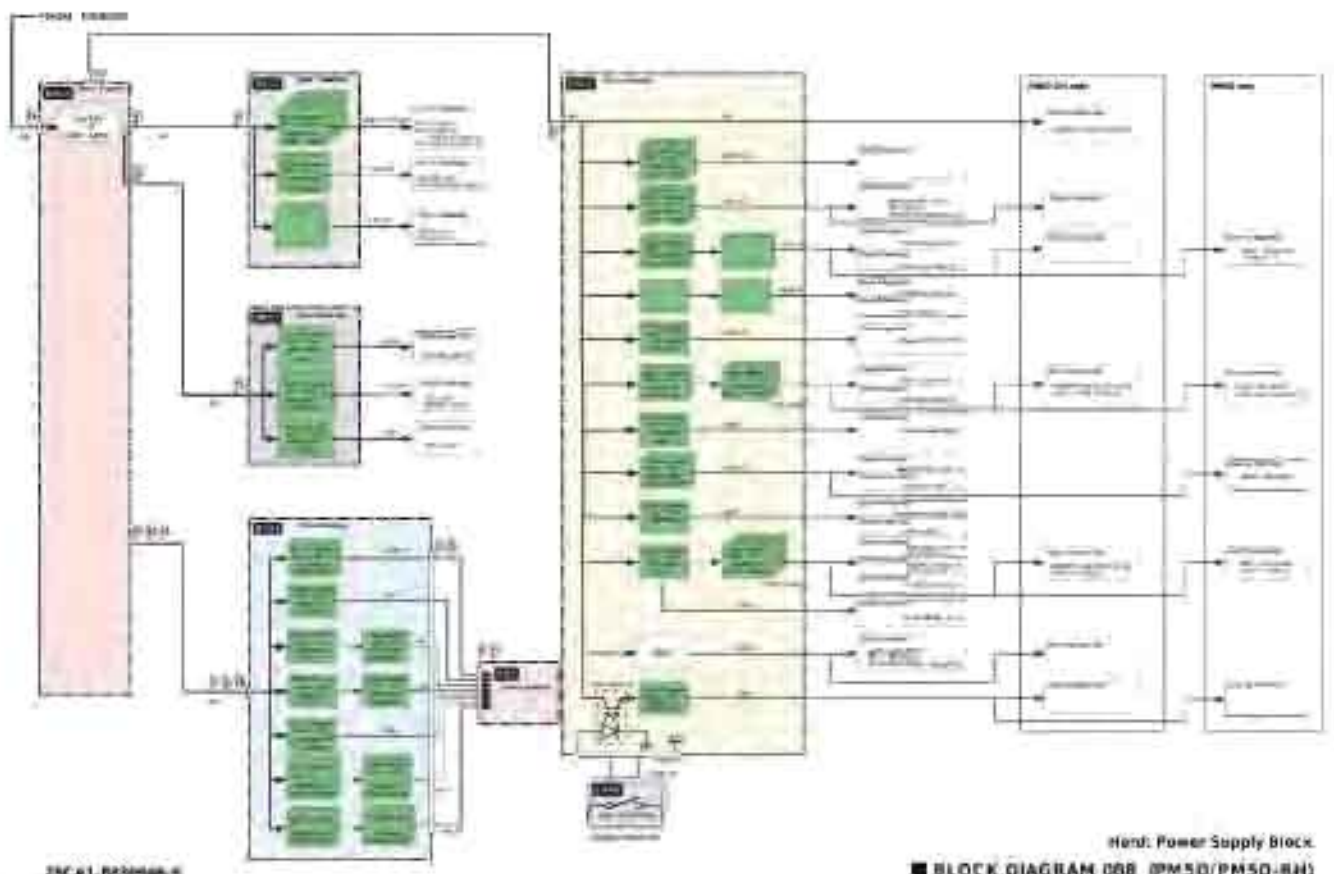
5

6

A B C D E F G H

■ BLOCK DIAGRAM 008 (PM5D/PM5D-RH)

PM5D/PM5D-RH



ZACAJ-B201948-0

Hard: Power Supply Block
■ BLOCK DIAGRAM 008 (PM5D/PM5D-RH)

H

G

F

E

D

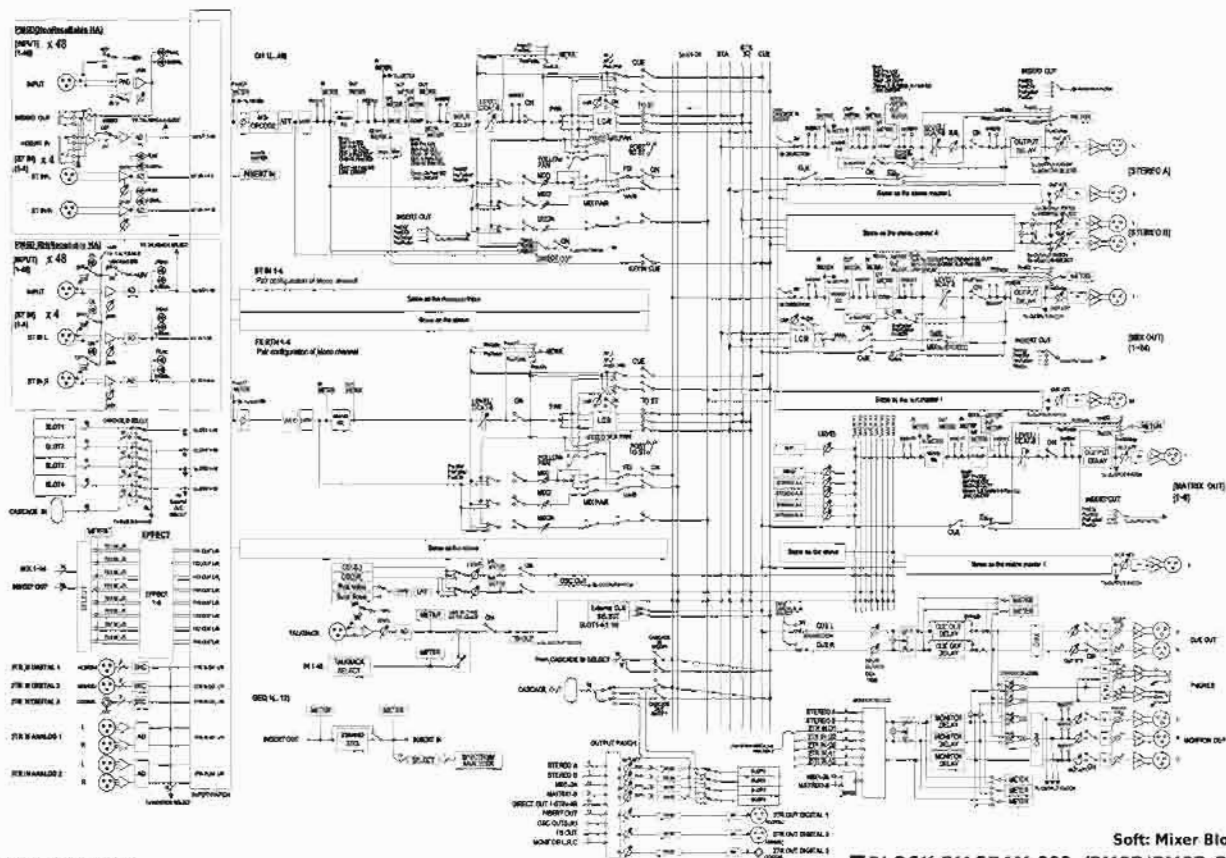
C

B

A

■ BLOCK DIAGRAM 009 (PM5D/PM5D-RH)

PM5D/PM5D-RH

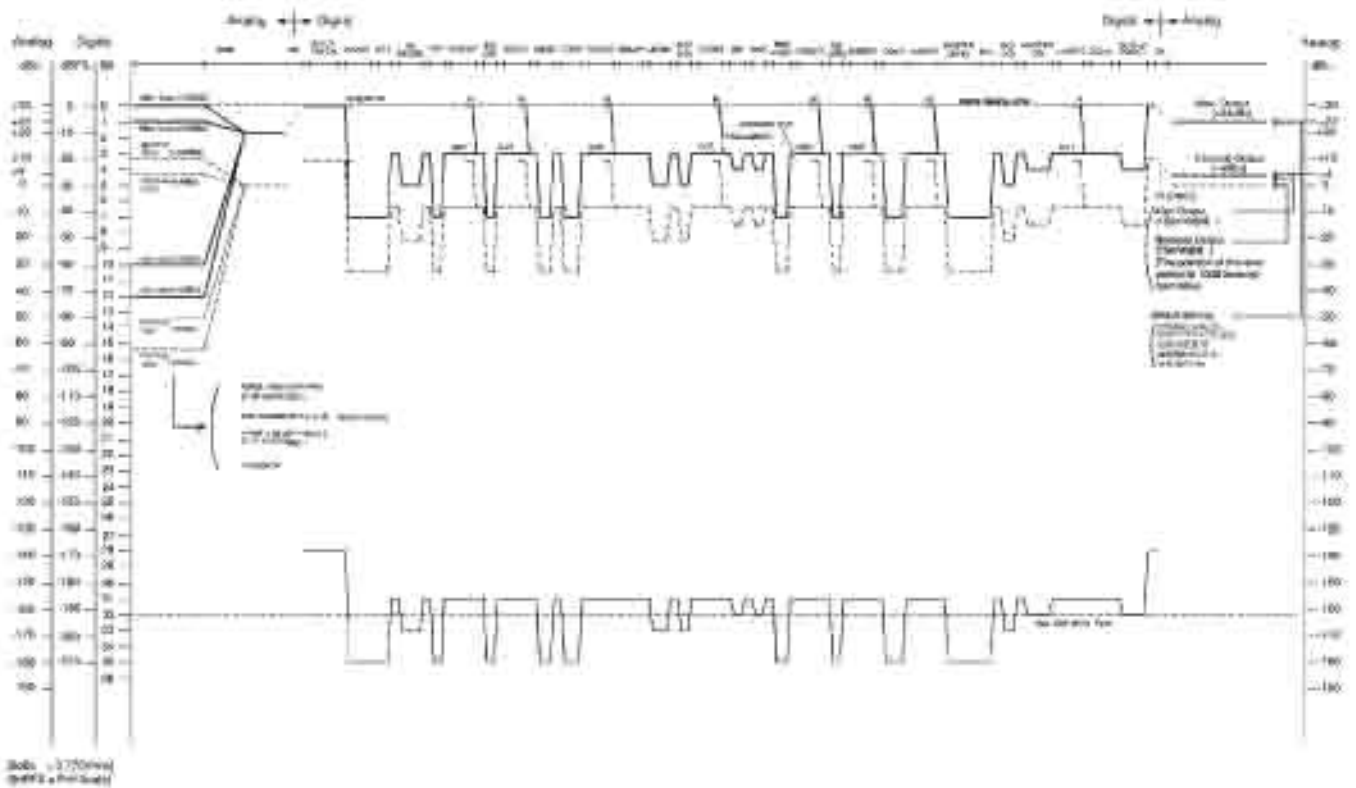


28CA1-8830946-9

Soft: Mixer Block
■ BLOCK DIAGRAM 009 (PM5D/PM5D-RH)

■ BLOCK DIAGRAM 011 (PMSD-RH)

PMSD-RH



Scale: 1/1000 (dBm)
1/1000 (dBmV)

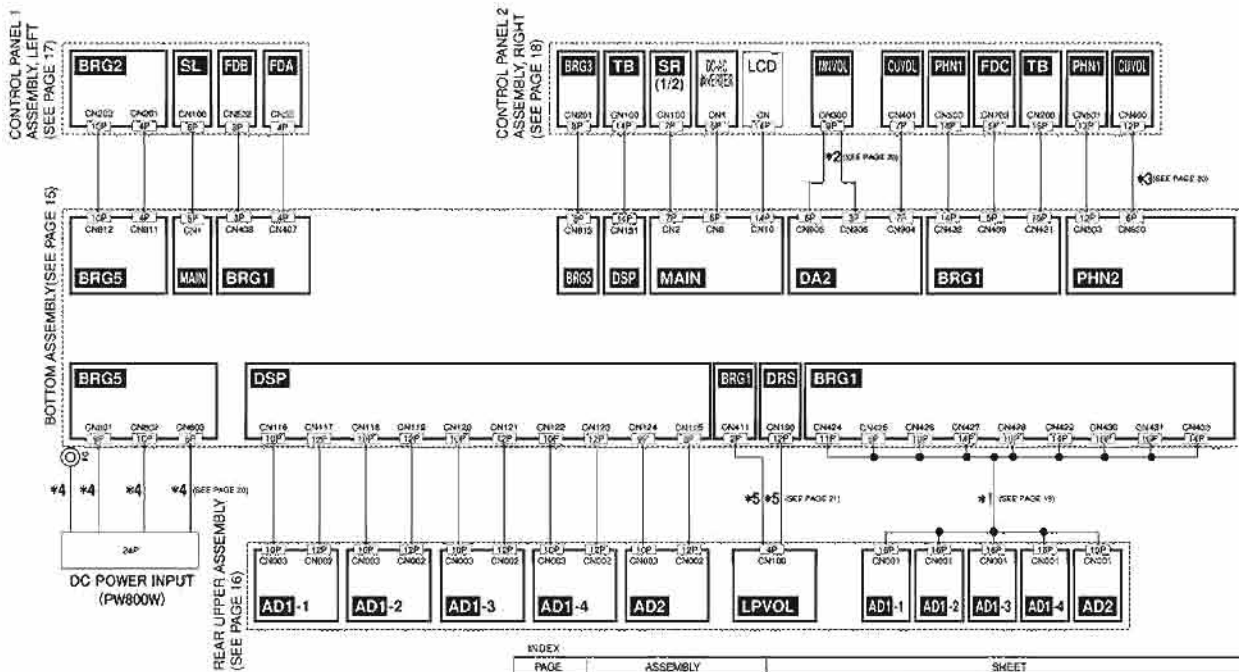
ZXCAL 8850946-11.5

Level Diagram
■ BLOCK DIAGRAM 011 (PMSD-RH)

A B C D E F G H

PM5D

OVERALL CONNECTOR CIRCUIT DIAGRAM 001 (PM5D)



INDEX

PAGE	ASSEMBLY	SHEET
15	BOTTOM ASSEMBLY	BRG1, BRG4, BRG5, DSP, MAIN, JK1, JK2, OPT, AN10, DA1, DA2, DA3, PHN2, DR, DFN, DRL
16	REAR UPPER ASSEMBLY	AD1, AD2, AN1, AN2, LED, LPVOL
17	CONTROL PANEL 1 ASSEMBLY, LEFT	BRG2, SL, FDA, FDB, PN1, PN2, PN3
18	CONTROL PANEL 2 ASSEMBLY, RIGHT	BRG3, SR, FDC, TB, LPVOL, CUVOL, PHN1, PH4, PH5, PH6, PH8, LCD, DC-AC INVERTER, TPSW
13, 20, 21	Wiring Diagram of Connector Assembly	Wiring diagram of connector assembly for a wire marked with # (digits)

Between Assembly Wiring

OVERALL CONNECTOR CIRCUIT DIAGRAM 001 (PM5D)

28CA2-8831131-1

H

G

F

E

D

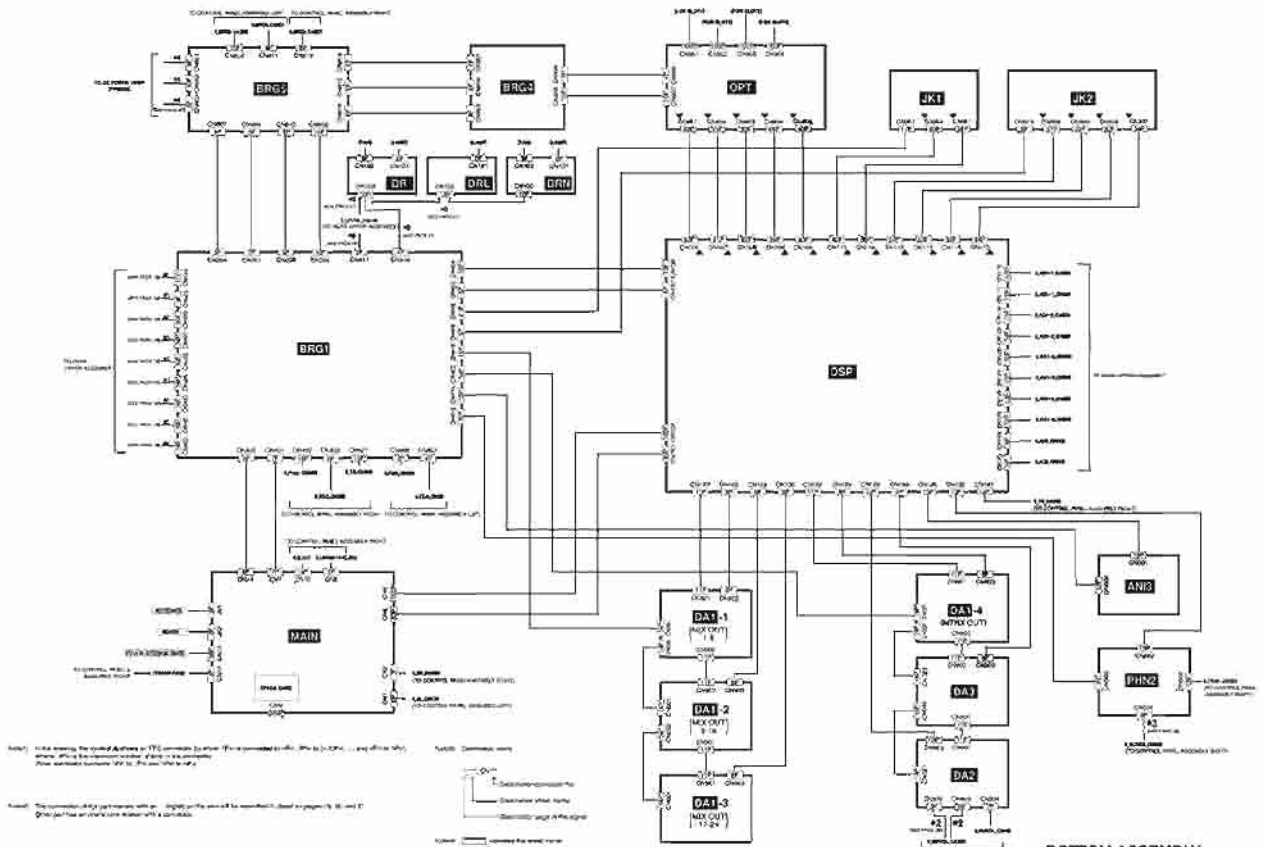
C

B

A

OVERALL CONNECTOR CIRCUIT DIAGRAM 002 (PMSD)

PMSD



Note: In the drawing the number of wires in the connector is shown. If the connector is a 10-pin connector, the number of wires in the connector is 10. If the connector is a 15-pin connector, the number of wires in the connector is 15. If the connector is a 20-pin connector, the number of wires in the connector is 20. If the connector is a 25-pin connector, the number of wires in the connector is 25. If the connector is a 30-pin connector, the number of wires in the connector is 30. If the connector is a 35-pin connector, the number of wires in the connector is 35. If the connector is a 40-pin connector, the number of wires in the connector is 40. If the connector is a 45-pin connector, the number of wires in the connector is 45. If the connector is a 50-pin connector, the number of wires in the connector is 50. If the connector is a 55-pin connector, the number of wires in the connector is 55. If the connector is a 60-pin connector, the number of wires in the connector is 60. If the connector is a 65-pin connector, the number of wires in the connector is 65. If the connector is a 70-pin connector, the number of wires in the connector is 70. If the connector is a 75-pin connector, the number of wires in the connector is 75. If the connector is a 80-pin connector, the number of wires in the connector is 80. If the connector is a 85-pin connector, the number of wires in the connector is 85. If the connector is a 90-pin connector, the number of wires in the connector is 90. If the connector is a 95-pin connector, the number of wires in the connector is 95. If the connector is a 100-pin connector, the number of wires in the connector is 100.

28CA2-8831131-2

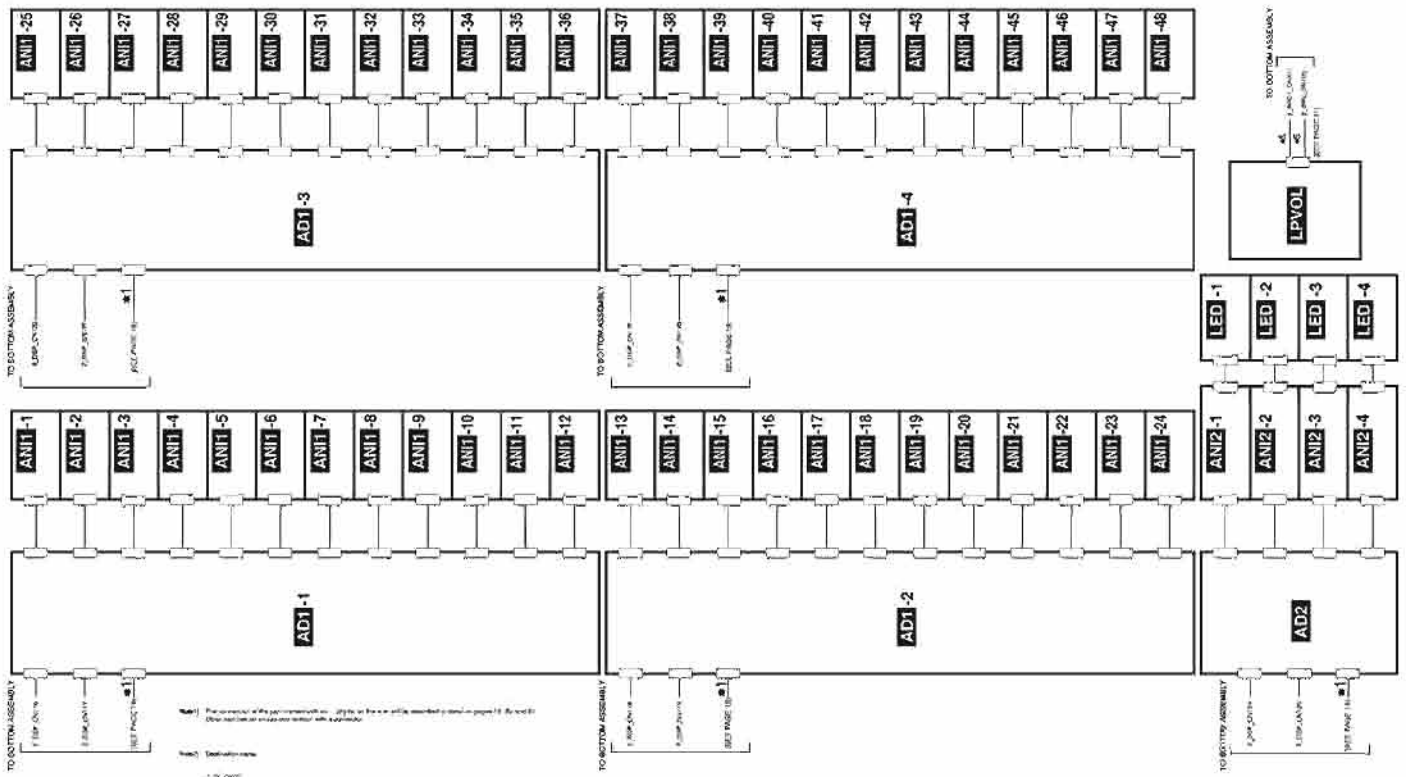
OVERALL CONNECTOR CIRCUIT DIAGRAM 002 (PMSD)

BOTTOM ASSEMBLY

A B C D E F G H

OVERALL CONNECTOR CIRCUIT DIAGRAM 003 (PM5D)

PM5D



Note: Pin numbers of the components are indicated by the symbol on the connector symbol. See page 12 for details.
 Note: Symbols are:
 Legend:
 TO BOTTOM ASSEMBLY
 TO TOP ASSEMBLY

REAR UPPER ASSEMBLY

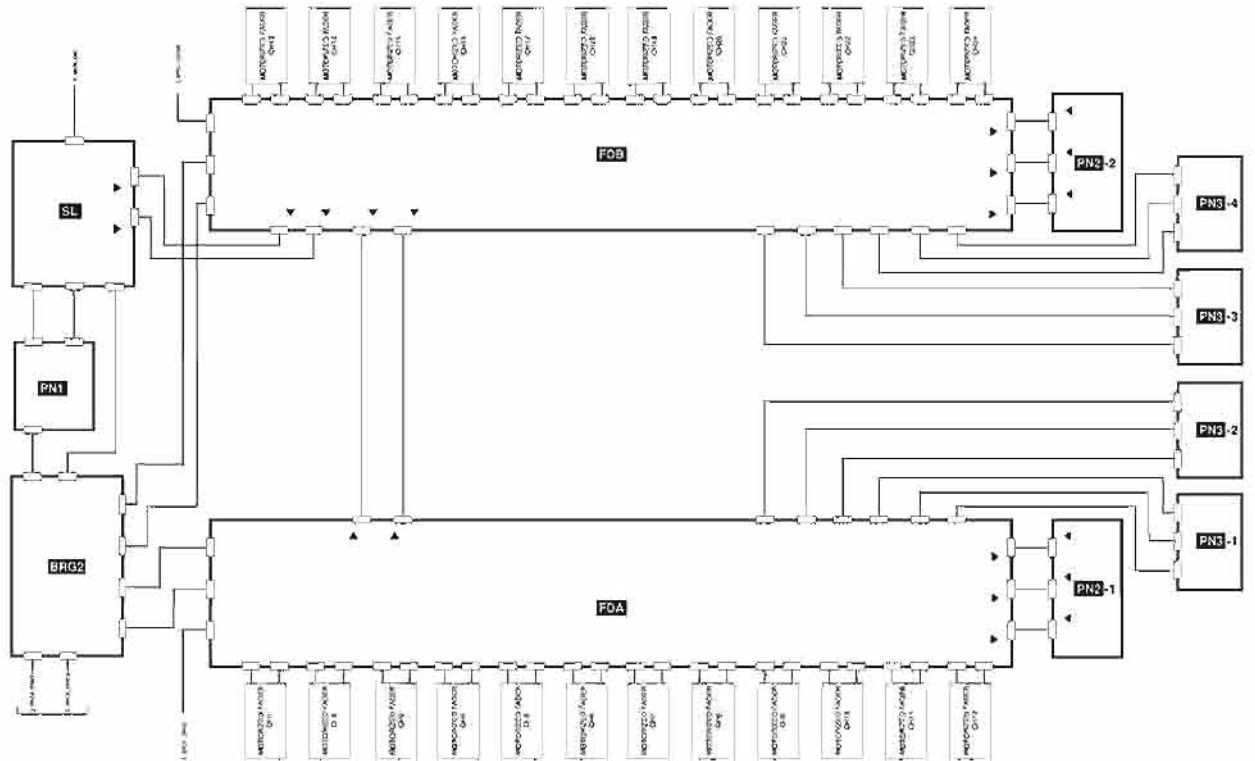
OVERALL CONNECTOR CIRCUIT DIAGRAM 003 (PM5D)

28CA2-8831131-3

H G F E D C B A

OVERALL CONNECTOR CIRCUIT DIAGRAM 004 (PM5D)

PM5D



Notes: 1. This diagram is for informational purposes only. It is not intended to be used as a basis for design or construction. 2. All dimensions are in inches unless otherwise specified. 3. All tolerances are as shown unless otherwise specified. 4. All materials are as shown unless otherwise specified. 5. All parts are to be used as shown unless otherwise specified.



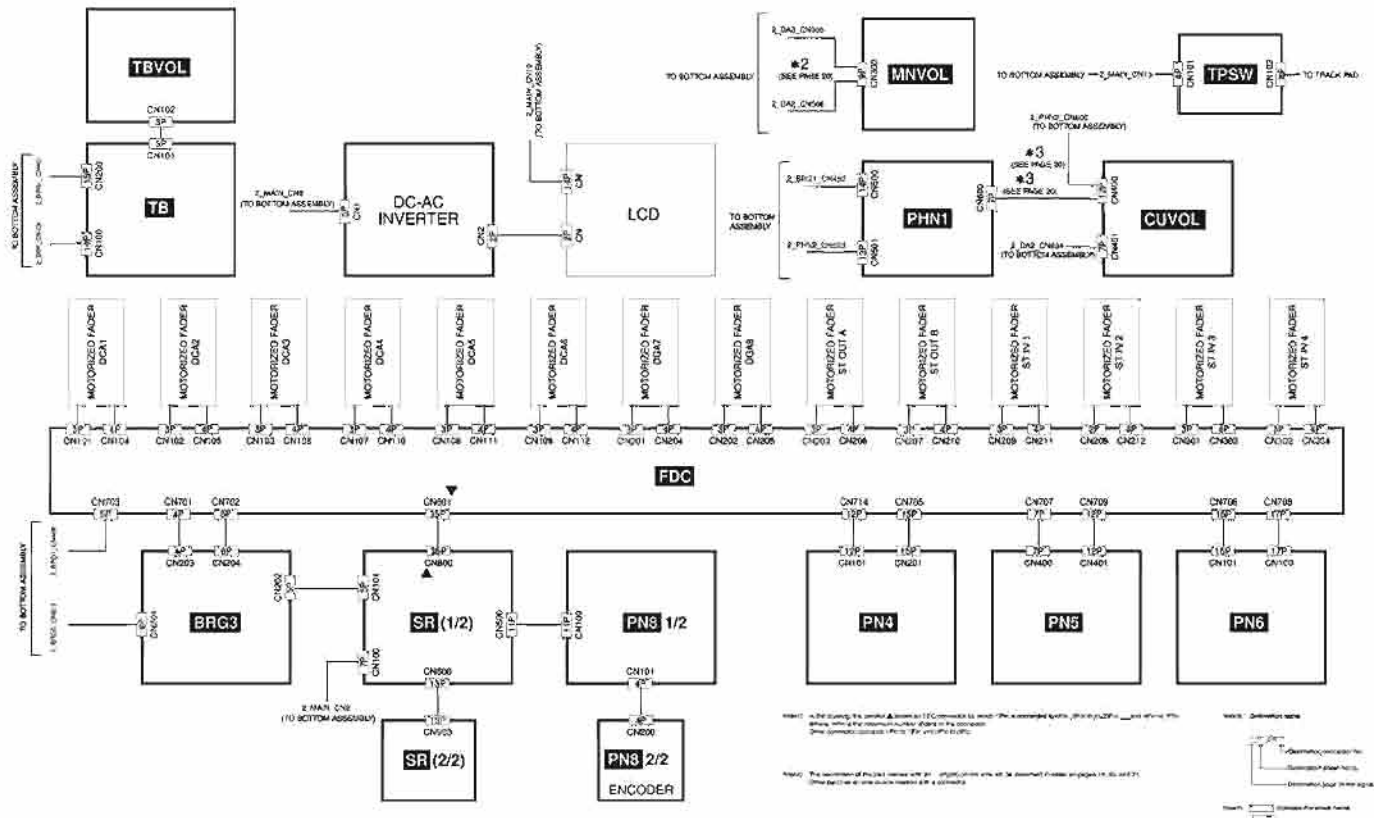
28CA2-8831131-4

CONTROL PANEL 1 ASSEMBLY (LEFT)
 OVERALL CONNECTOR CIRCUIT DIAGRAM 004 (PM5D)

A B C D E F G H

PM5D

OVERALL CONNECTOR CIRCUIT DIAGRAM 005 (PM5D)



Notes:
 Note 1: All the signals are connected to the FDC connector as shown. The connector is a 28-pin D-sub connector. The pin numbers are shown in the diagram. The connector is a 28-pin D-sub connector.
 Note 2: The location of the pins used for the connections are shown in the diagram. The connector is a 28-pin D-sub connector.
 Note 3: Definition table.
 Legend:
 - Pin: Pin number
 - Component: Component name
 - Connector: Connector name
 - Signal: Signal name

28CA2-8831131-5

CONTROL PANEL 2 ASSEMBLY (RIGHT)
 OVERALL CONNECTOR CIRCUIT DIAGRAM 005 (PM5D)

H

G

F

E

D

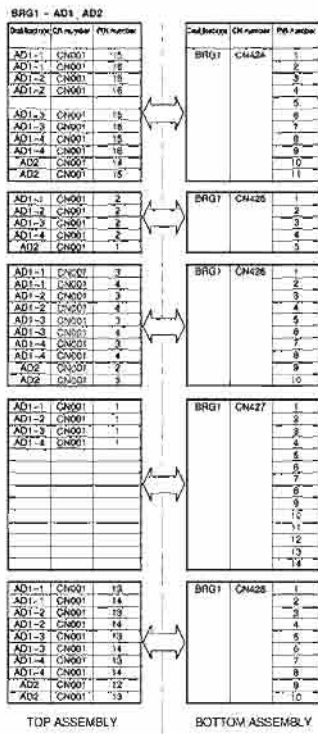
C

B

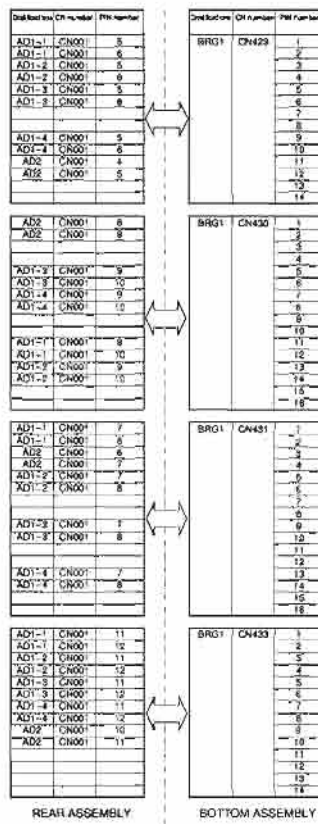
A

OVERALL CONNECTOR CIRCUIT DIAGRAM 006 (PM5D)

PM5D



*Note: The position of the wires in the above table are represented for only CNM. Applying the wire position for the connector is not used.



28CA2-8831131-6

Wiring Diagram of Connector Assembly OVERALL CONNECTOR CIRCUIT DIAGRAM 006 (PM5D)

OVERALL CONNECTOR CIRCUIT DIAGRAM 007 (PM5D)

PM5D

DA2 - MNVOL

Circuit Board name	CN number	PIN number
DA2	CN805	1
		2
		3
CN806	4	
	5	
	6	
	7	
	8	
	9	

Circuit Board name	CN number	PIN number
MNVOL	CN300	1
		2
		3
		4
		5
		6
		7
		8
		9

PHN1, PHN2-CUVOL

Circuit Board name	CN number	PIN number
PHN2	CN600	1
		2
		3
		4
		5
		6

Circuit Board name	CN number	PIN number
CUVOL	CN400	1
		2
		3
		4
		5
		6
		7
		8
		9
		10
		11
		12

Circuit Board name	CN number	PIN number
PHN1	CN600	1
		2
		3
		4
		5
		6
		7

BOTTOM ASSEMBLY CONTROL PANEL ASSEMBLY
BOTTOM ASSEMBLY

DC POWER INPUT- BRG5

Circuit Board name	CN number	PIN number
DC POWER INPUT (PW800W)	BRG5	1
		2
		3
		4
		5
		6
		7
		8
		9
		10
		11
		12
		13
		14
		15
		16
		17
		18
		19
		20
		21
		22
		23
		24

Circuit Board name	CN number	PIN number
BRG5	CN601	1
		2
		3
		4
		5
		6
		7
		8
		9
		10
CN602	CN602	1
		2
		3
		4
		5
CN603	CN603	6
		7
		8
		9
		10
CN603	CN603	1
		2
		3
		4
		5

Wiring Diagram of Connector Assembly
OVERALL CONNECTOR CIRCUIT DIAGRAM 007 (PM5D)

28CA2-8831131-7

H

G

F

E

D

C

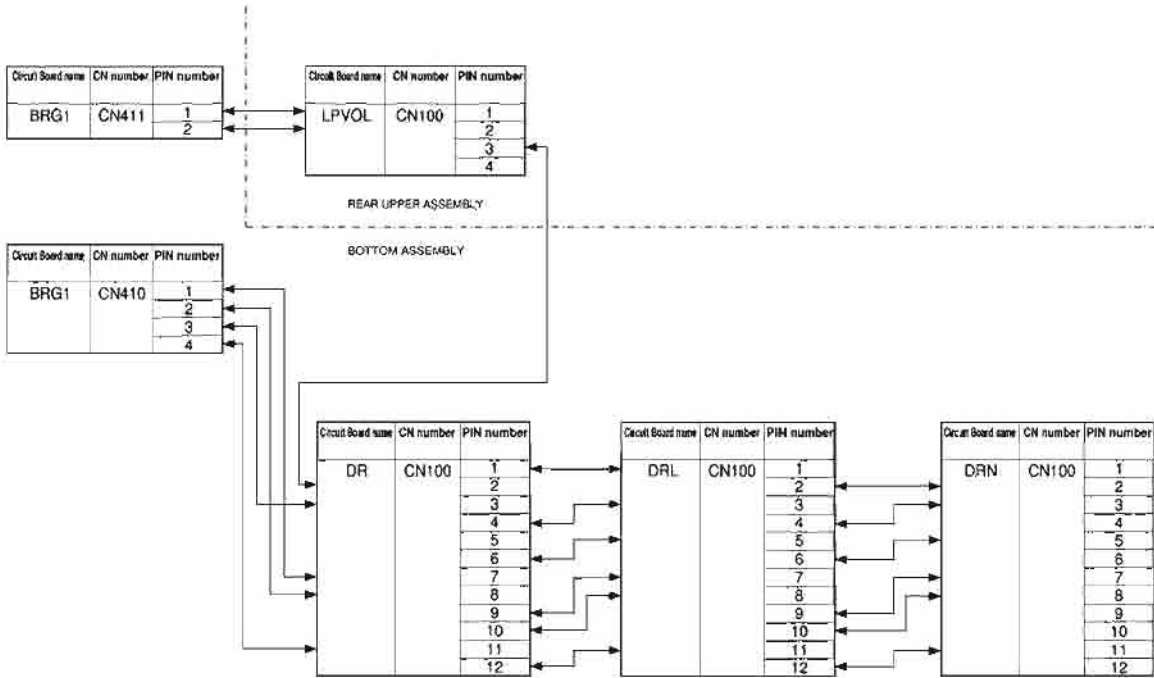
B

A

OVERALL CONNECTOR CIRCUIT DIAGRAM 008 (PM5D)

PM5D

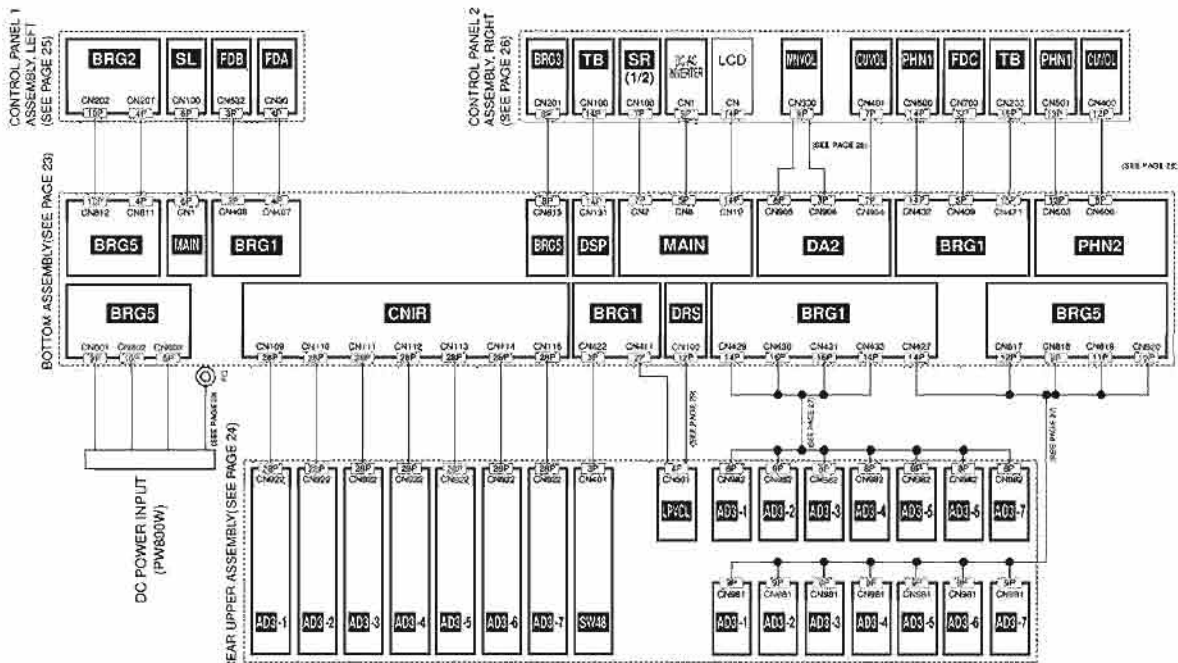
BOTTOM ASSEMBLY - REAR UPPER ASSEMBLY



28CA2-8831131-8

Wiring Diagram of Connector Assembly
OVERALL CONNECTOR CIRCUIT DIAGRAM 008 (PM5D)

OVERALL CONNECTOR CIRCUIT DIAGRAM 001 (PM5D-RH)



INDEX	ASSEMBLY	SHEET
23	BOTTOM ASSEMBLY	BRG1, BRG4, BRG5, DSP, MAIN, JK1, JK2, OPT, AN3, DA1, DA2, DA3, PHN2, DR, DRN, DRL, CN1R
24	REAR UPPER ASSEMBLY	AD3, LD, STLD, SW48, LPVOL
25	CONTROL PANEL 1 ASSEMBLY LEFT	BRG2, SL, FDA, PDB, PHN1, PHN2, PHN3
26	CONTROL PANEL 2 ASSEMBLY RIGHT	BRG3, SR, FDC, TB, MVOL, CUVOL, PHN1, PHN4, PHN5, PHN6, PHN8, LCD, DC-AC INVERTER, TPSW
27, 28, 29	Wiring Diagram of Connector Assembly	Wiring diagram of connector assembly for a wire marked with "digits"

Note 1) This connector is the part number with an "8" digit on the wire and Connector Circuit Diagram on pages 27, 28, and 29. Other part numbers are shown with a "1" digit.

H

G

F

E

D

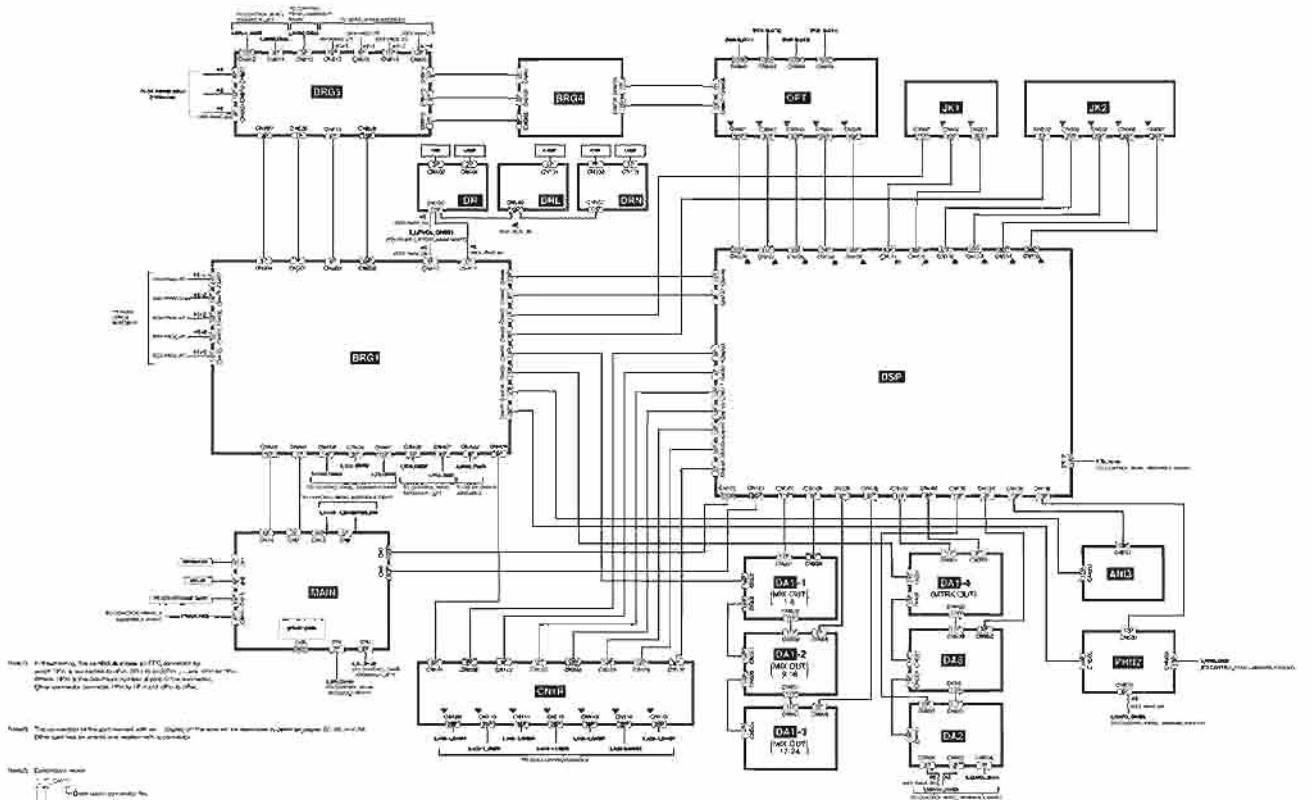
C

B

A

OVERALL CONNECTOR CIRCUIT DIAGRAM 002 (PM5D-RH)

PM5D-RH

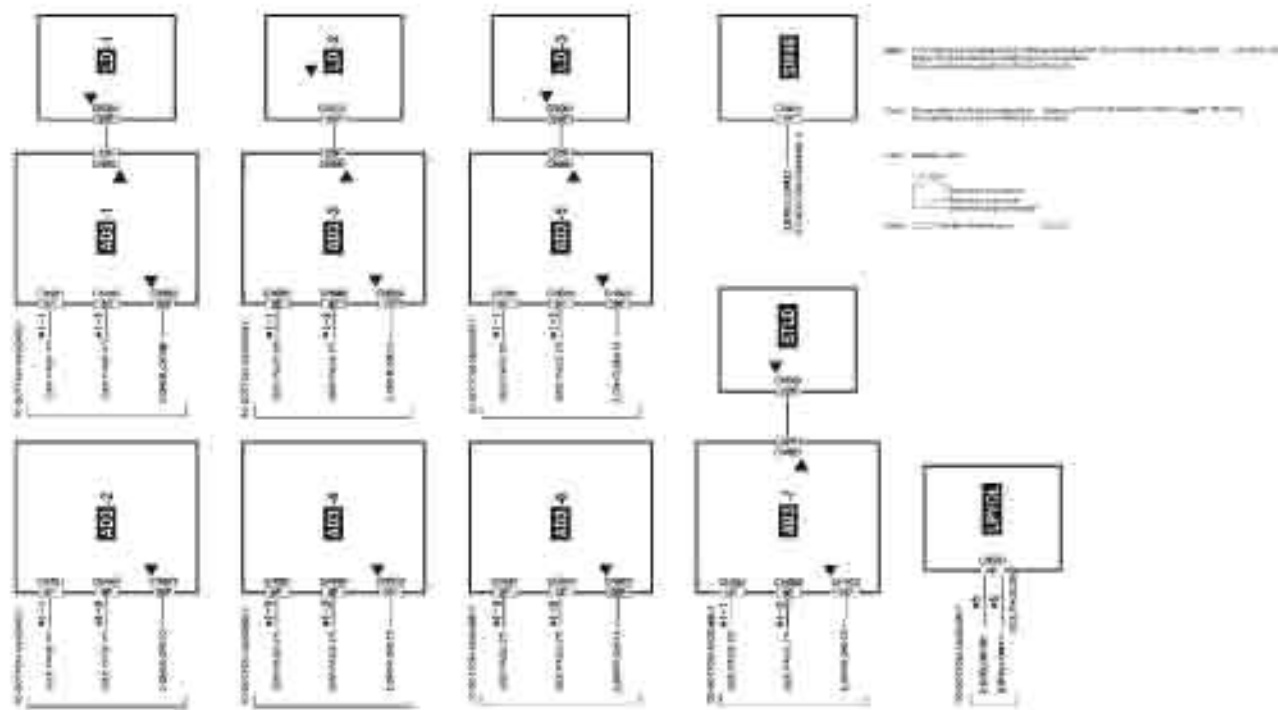


28CA2-8831398-2

BOTTOM ASSEMBLY OVERALL CONNECTOR CIRCUIT DIAGRAM 002 (PM5D-RH)

OVERALL CONNECTOR CIRCUIT DIAGRAM 003 (PMSD-RH)

PMSD



28CA2-8811398-3

REAR UPPER ASSEMBLY
OVERALL CONNECTOR CIRCUIT DIAGRAM 003 (PMSD-RH)

H

G

F

E

D

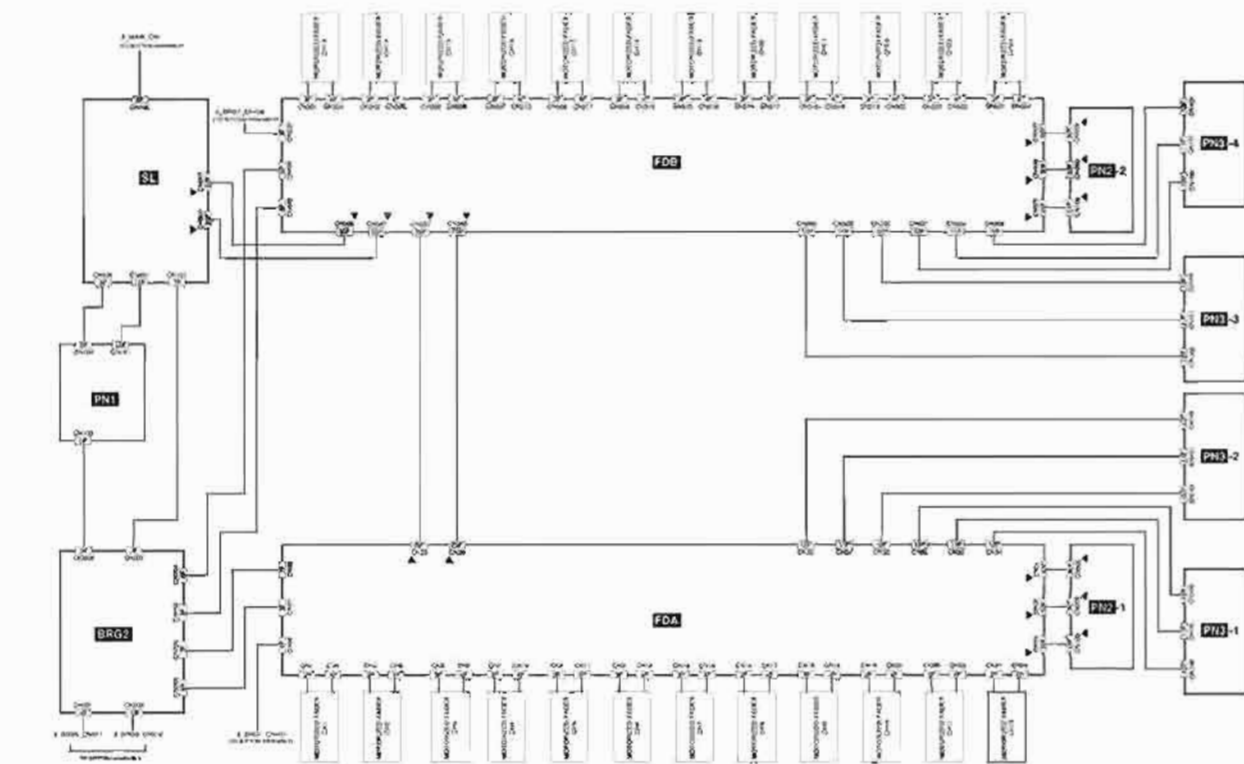
C

B

A

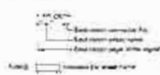
OVERALL CONNECTOR CIRCUIT DIAGRAM 004 (PM5D-RH)

PM5D-RH



Note: In the drawing, the control cabinet is shown as a single unit. It is composed of two parts: the control cabinet and the control panel. The control cabinet is shown in the drawing and the control panel is shown in the drawing.

Note: Terminal code



28CA2-8831398-4

CONTROL PANEL 1 ASSEMBLY (LEFT)
 OVERALL CONNECTOR CIRCUIT DIAGRAM 004 (PM5D-RH)

H

G

F

E

D

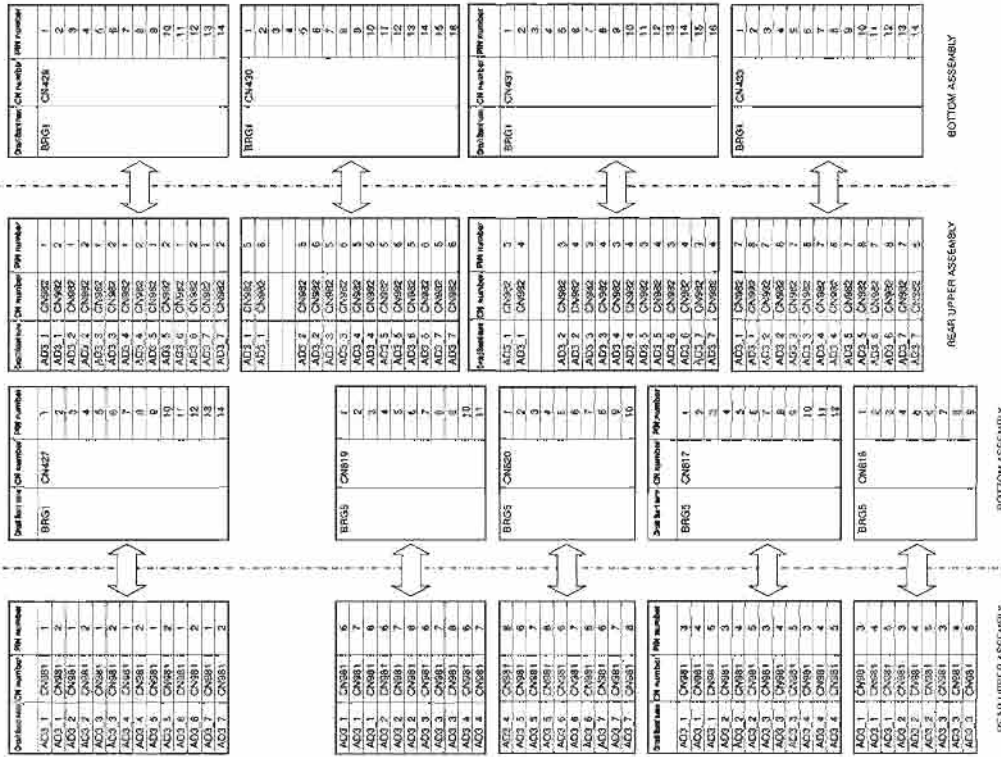
C

B

A

OVERALL CONNECTOR CIRCUIT DIAGRAM 006 (PM5D-RH)

PM5D-RH



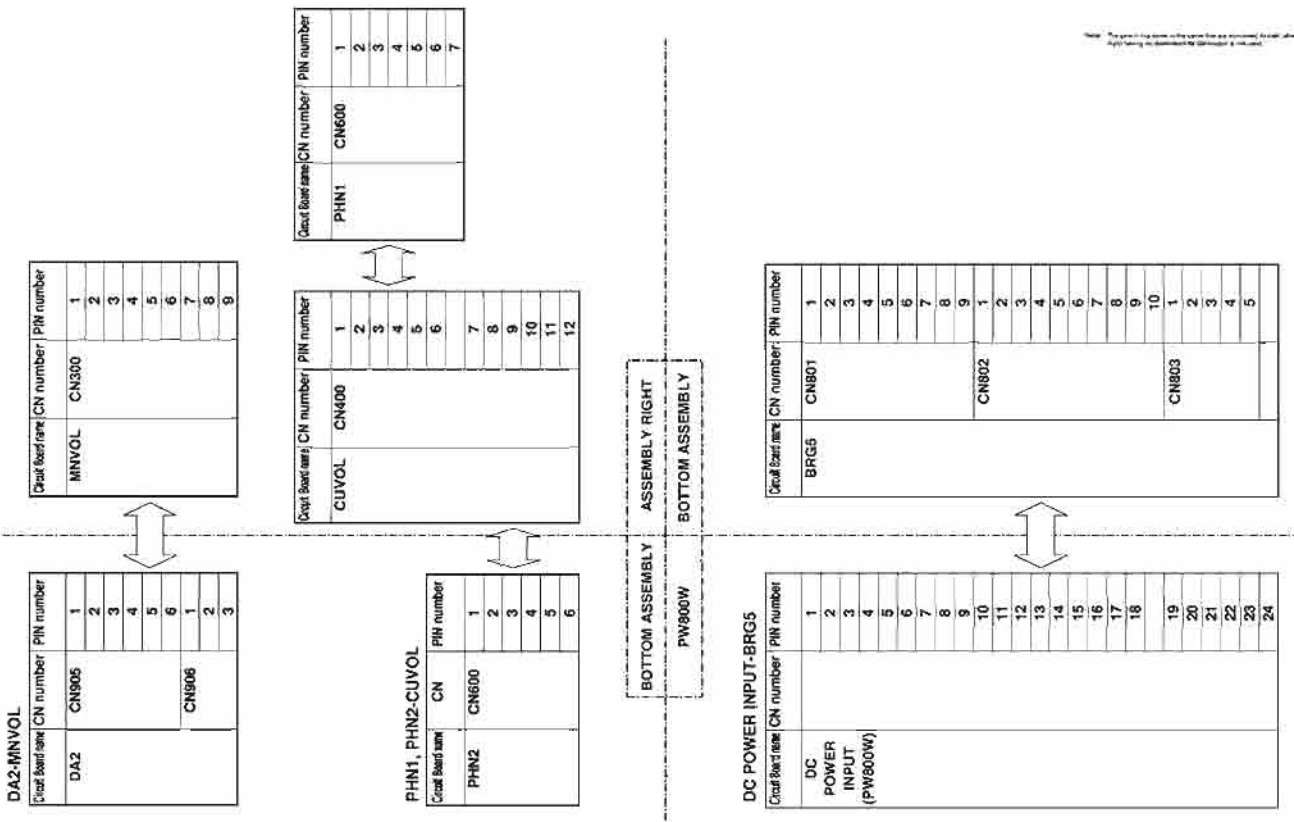
This diagram is property of the manufacturer and is reproduced by permission.

28CA2-8831398-6

Wiring Diagram of Connector Assembly OVERALL CONNECTOR CIRCUIT DIAGRAM 006 (PM5D-RH)

OVERALL CONNECTOR CIRCUIT DIAGRAM 007 (PM5D-RH)

Note: The ground bus shown in this diagram does not represent a ground plane. It is only a reference to the ground plane of the board.



28CA2-8831398-7

Wiring Diagram of Connector Assembly

OVERALL CONNECTOR CIRCUIT DIAGRAM 007 (PM5D-RH)

H

G

F

E

D

C

B

A

OVERALL CONNECTOR CIRCUIT DIAGRAM 008 (PM5D-RH)

PM5D-RH

BOTTOM ASSEMBLY - REAR UPPER ASSEMBLY

Circuit Board name	CN number	PIN number
BRG1	CN411	1
		2

Circuit Board name	CN number	PIN number
LPV0L	CN501	1
		2
		3
		4

REAR UPPER ASSEMBLY

Circuit Board name	CN number	PIN number
BRG1	CN410	1
		2
		3
		4

BOTTOM ASSEMBLY

Circuit Board name	CN number	PIN number
DR	CN100	1
		2
		3
		4
		5
		6
		7
		8
		9
		10
		11
		12

Circuit Board name	CN number	PIN number
DRL	CN100	1
		2
		3
		4
		5
		6
		7
		8
		9
		10
		11
		12

Circuit Board name	CN number	PIN number
DRN	CN100	1
		2
		3
		4
		5
		6
		7
		8
		9
		10
		11
		12

Note: The pin numbers shown are associated with the connector pinout.

Wiring Diagram of Connector Assembly

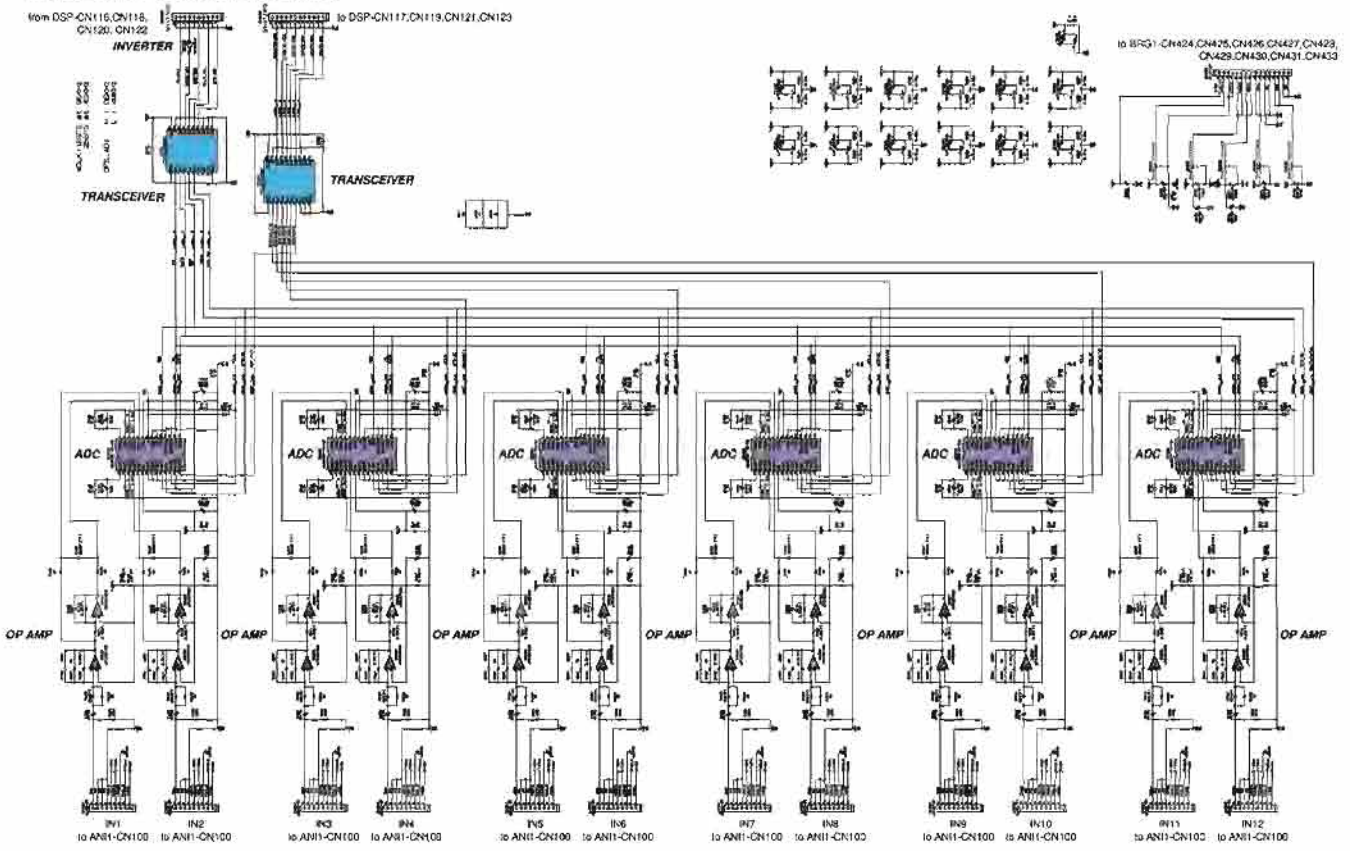
OVERALL CONNECTOR CIRCUIT DIAGRAM 008 (PM5D-RH)

28CA2-8831398-8

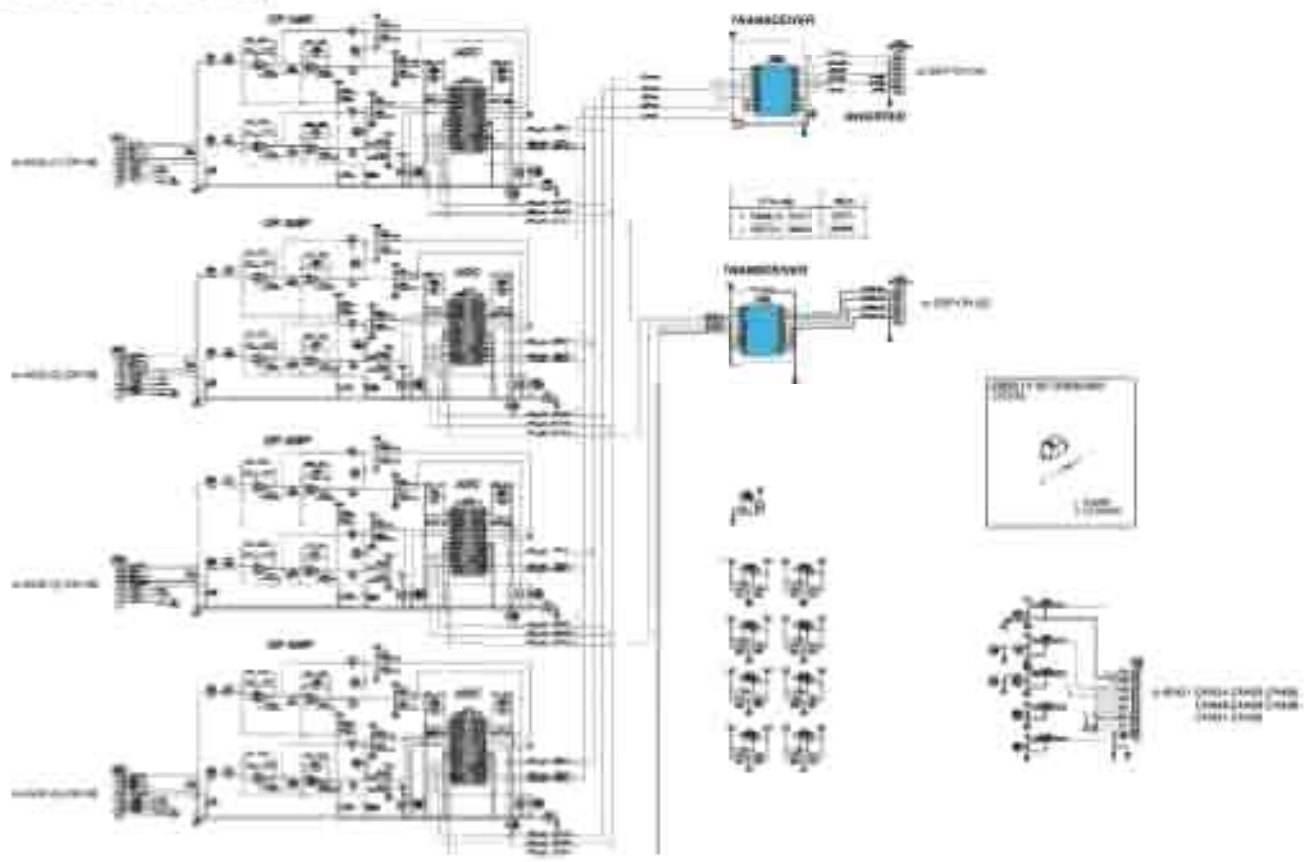
X W V U T S R Q P O N M L K J I H G F E D C B A

AD1 CIRCUIT DIAGRAM (PM5D)

PM5D



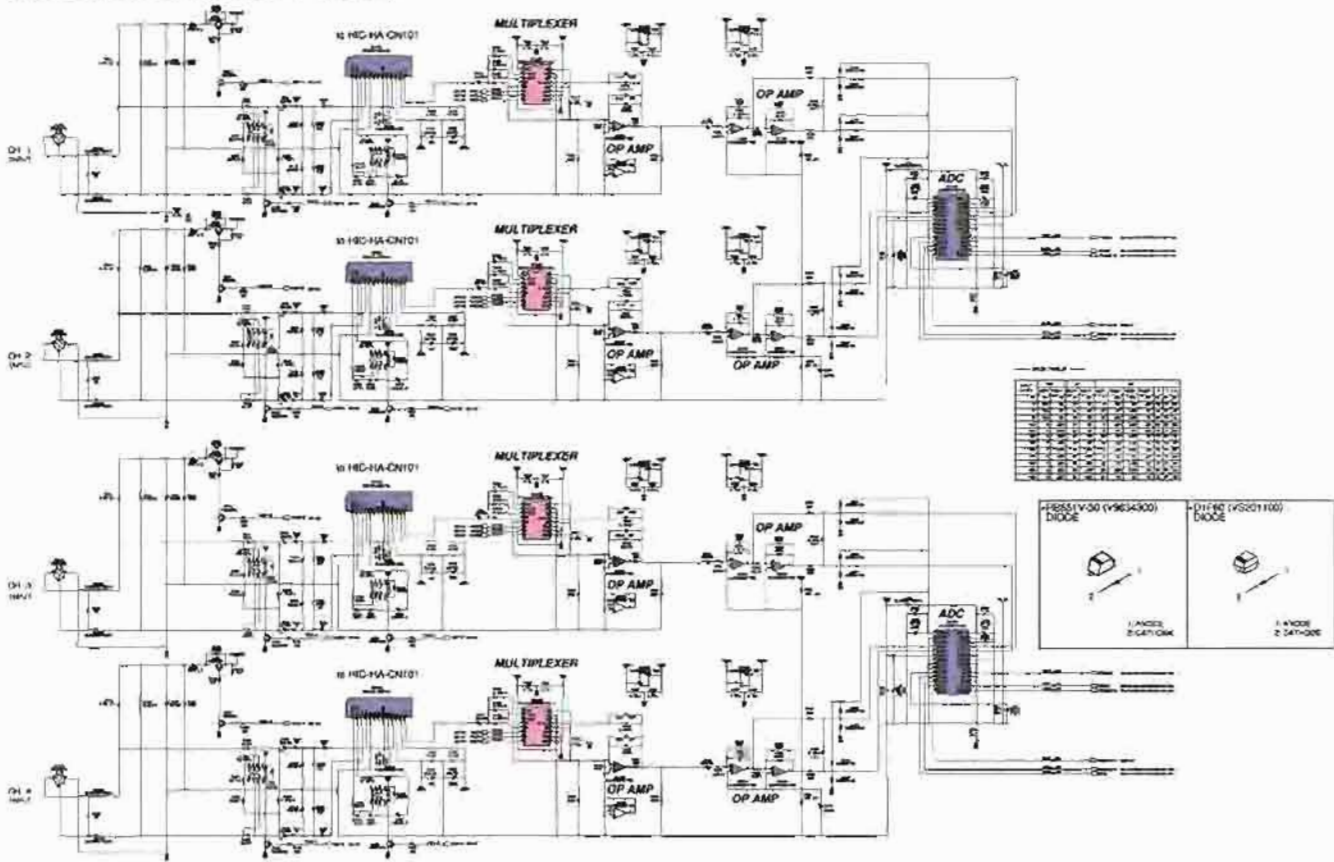
■ AD2 CIRCUIT DIAGRAM (PM5D)



W V U T S R Q P O N M L K J I H G F E D C B A

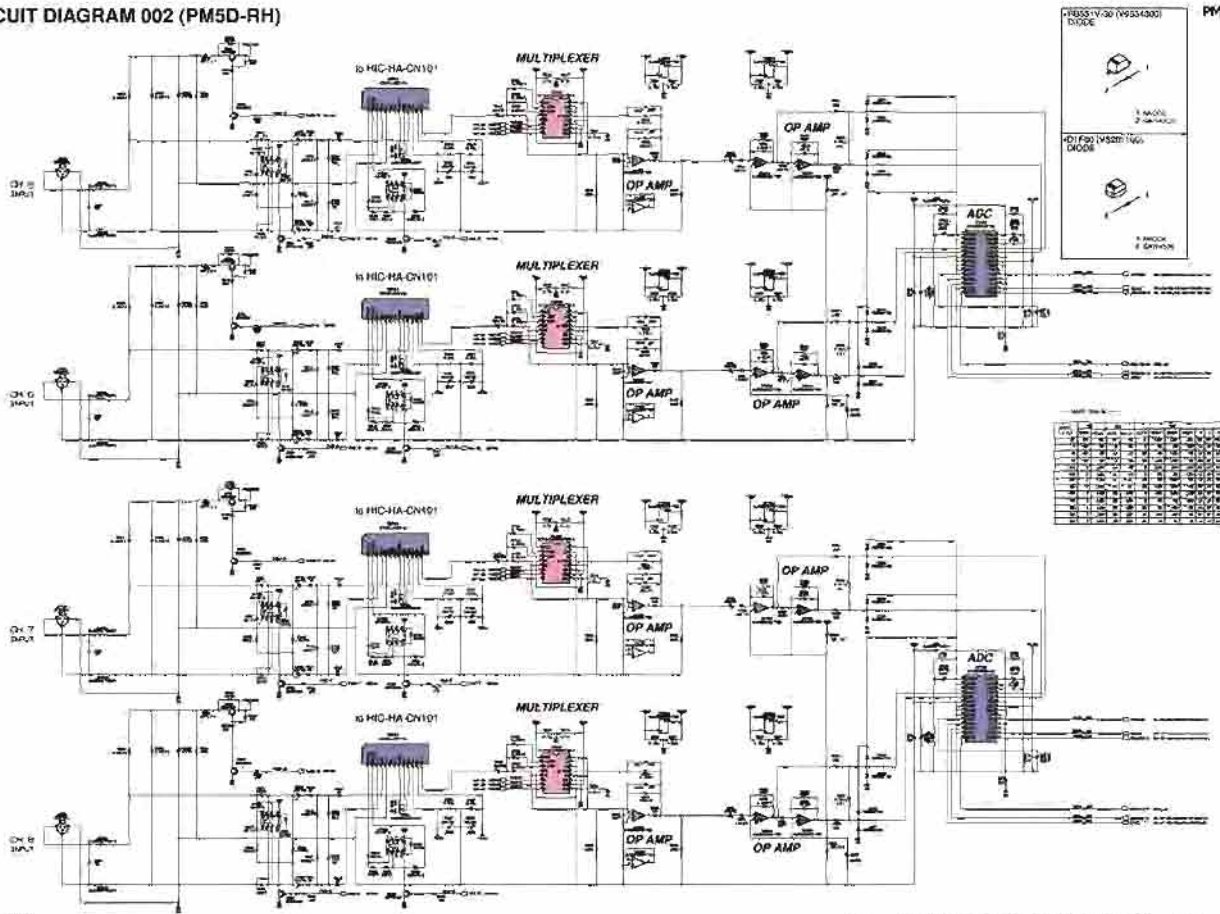
AD3 CIRCUIT DIAGRAM 001 (PM5D-RH)

PM5D-RH



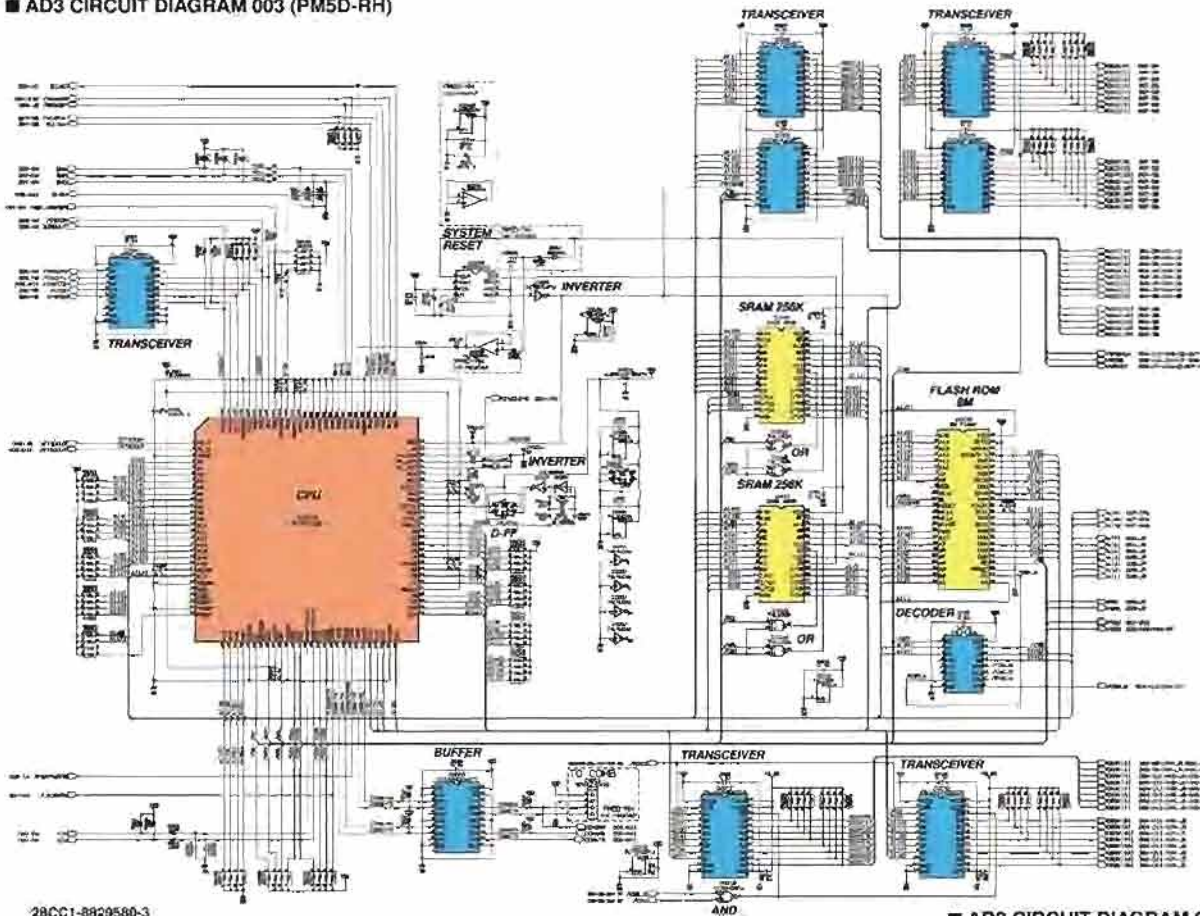
W V U T S R Q P O N M L K J I H G F E D C B A

■ AD3 CIRCUIT DIAGRAM 002 (PM5D-RH)



■ AD3 CIRCUIT DIAGRAM 003 (PM5D-RH)

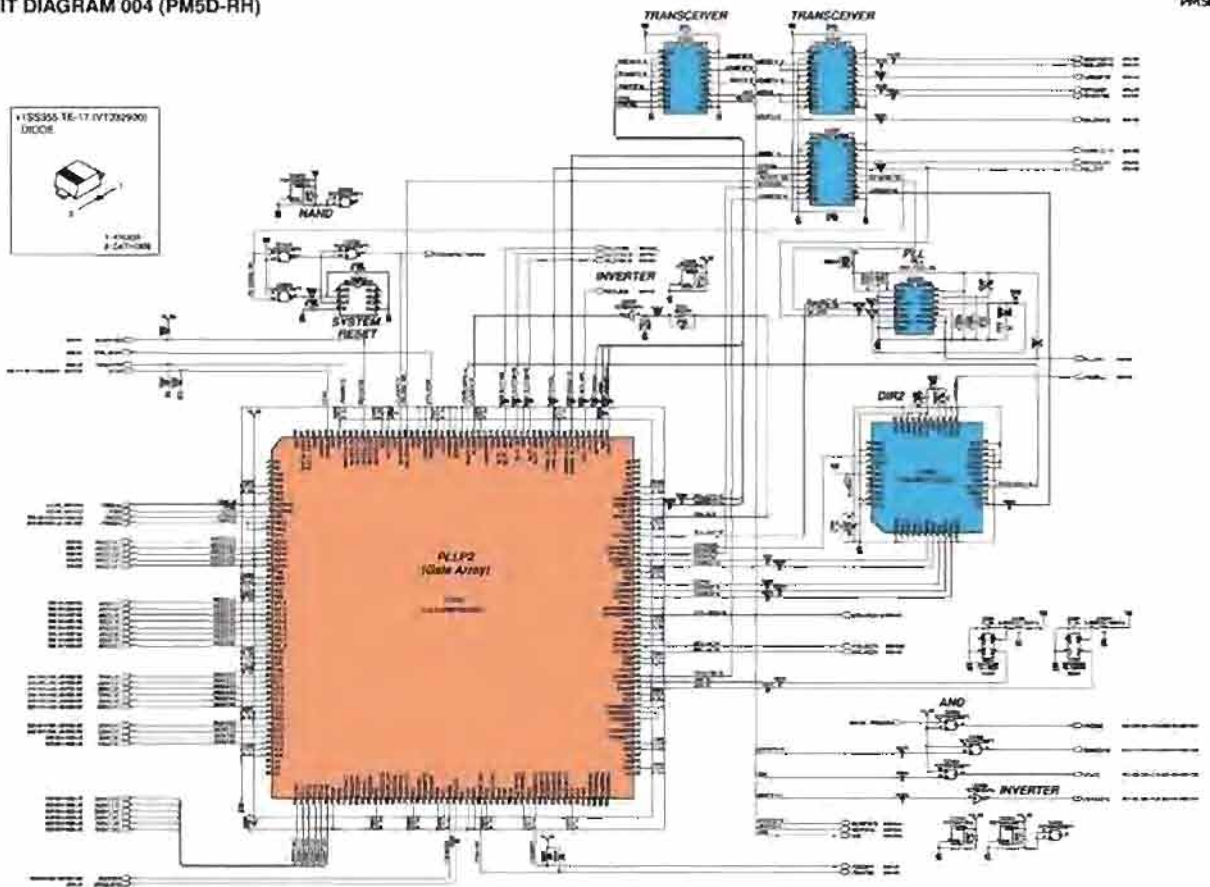
PM5D-RH



■ AD3 CIRCUIT DIAGRAM 003 (PM5D-RH)

■ AD3 CIRCUIT DIAGRAM 004 (PM5D-RH)

PM5D-RH



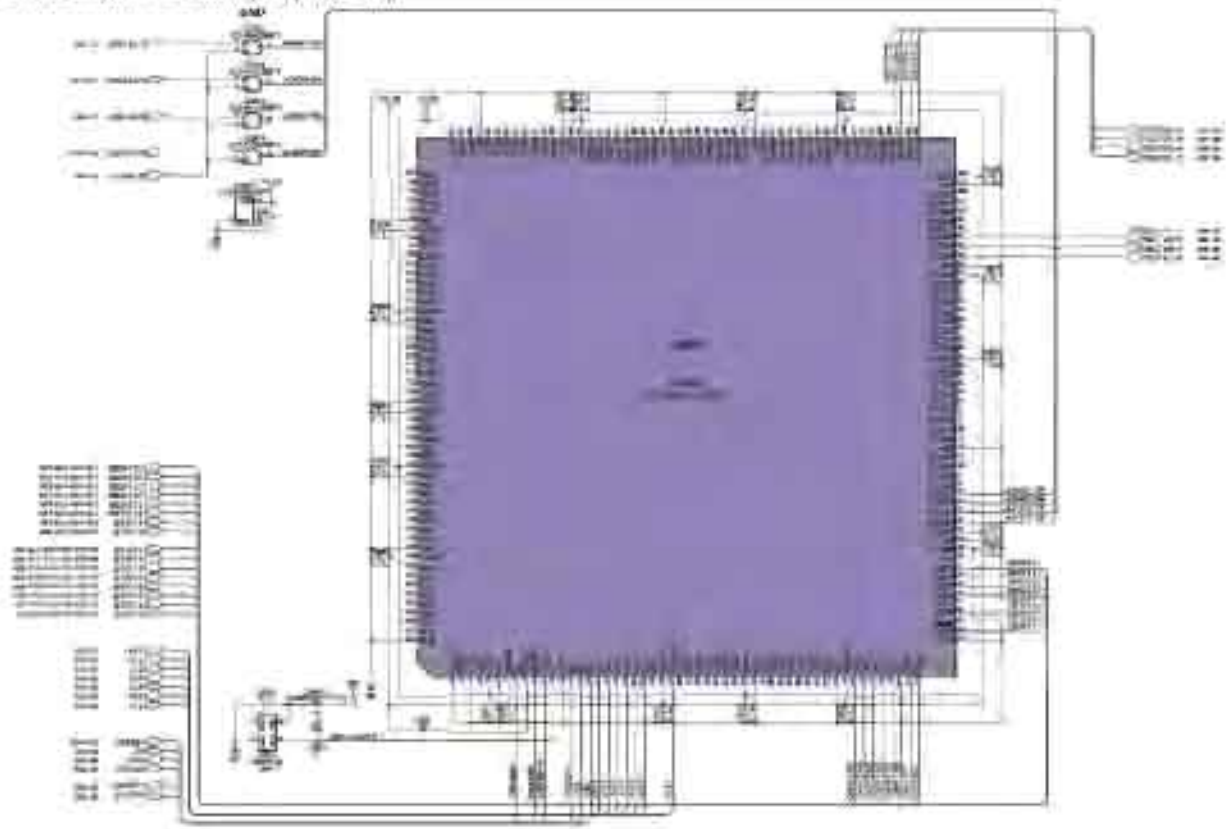
28CC1-6829580-4

■ AD3 CIRCUIT DIAGRAM 004 (PM5D-RH)

I K J I H G F E D C B A

AD3 CIRCUIT DIAGRAM 005 (PM5D-RH)

1952811

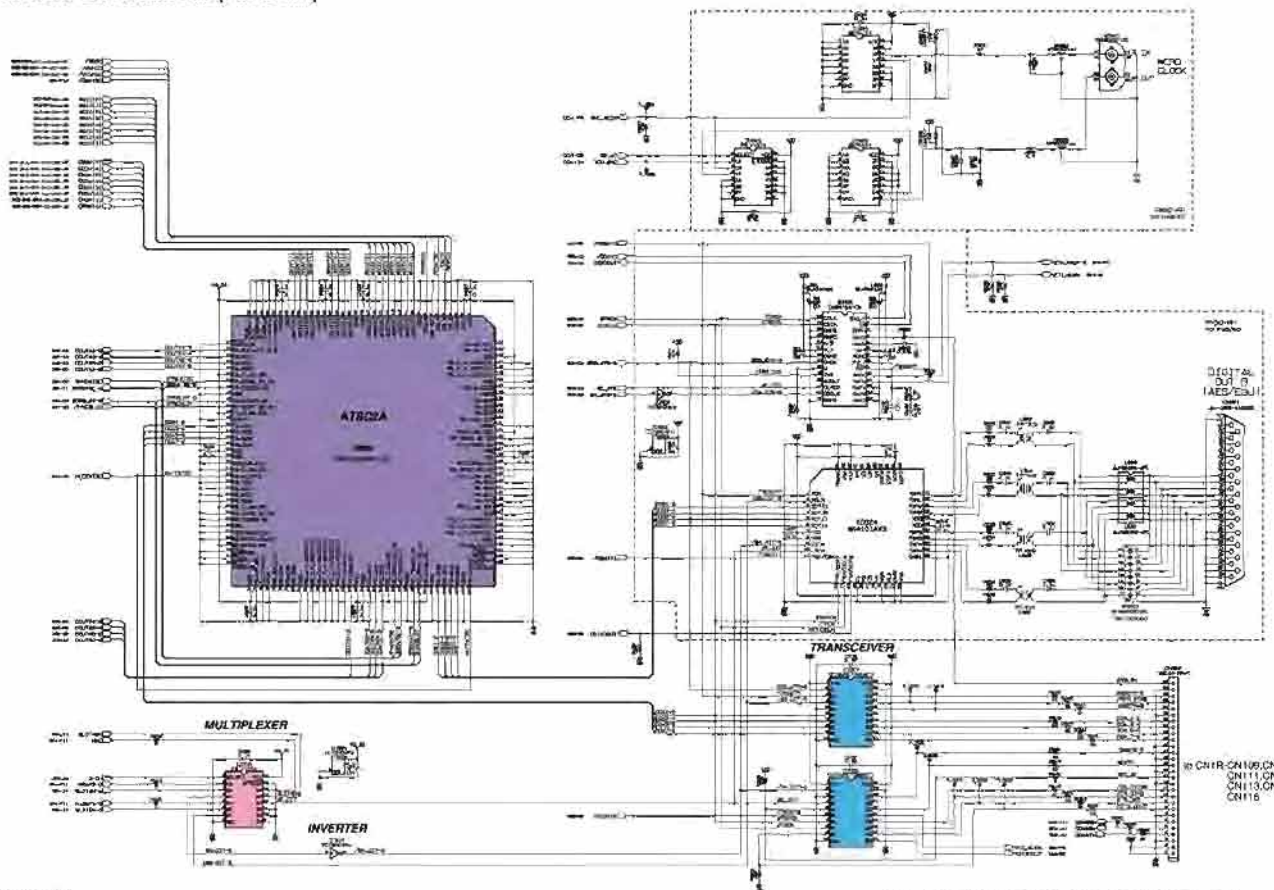


REVISION 1 20020604

AD3 CIRCUIT DIAGRAM 005 (PM5D-RH)

■ AD3 CIRCUIT DIAGRAM 006 (PM5D-RH)

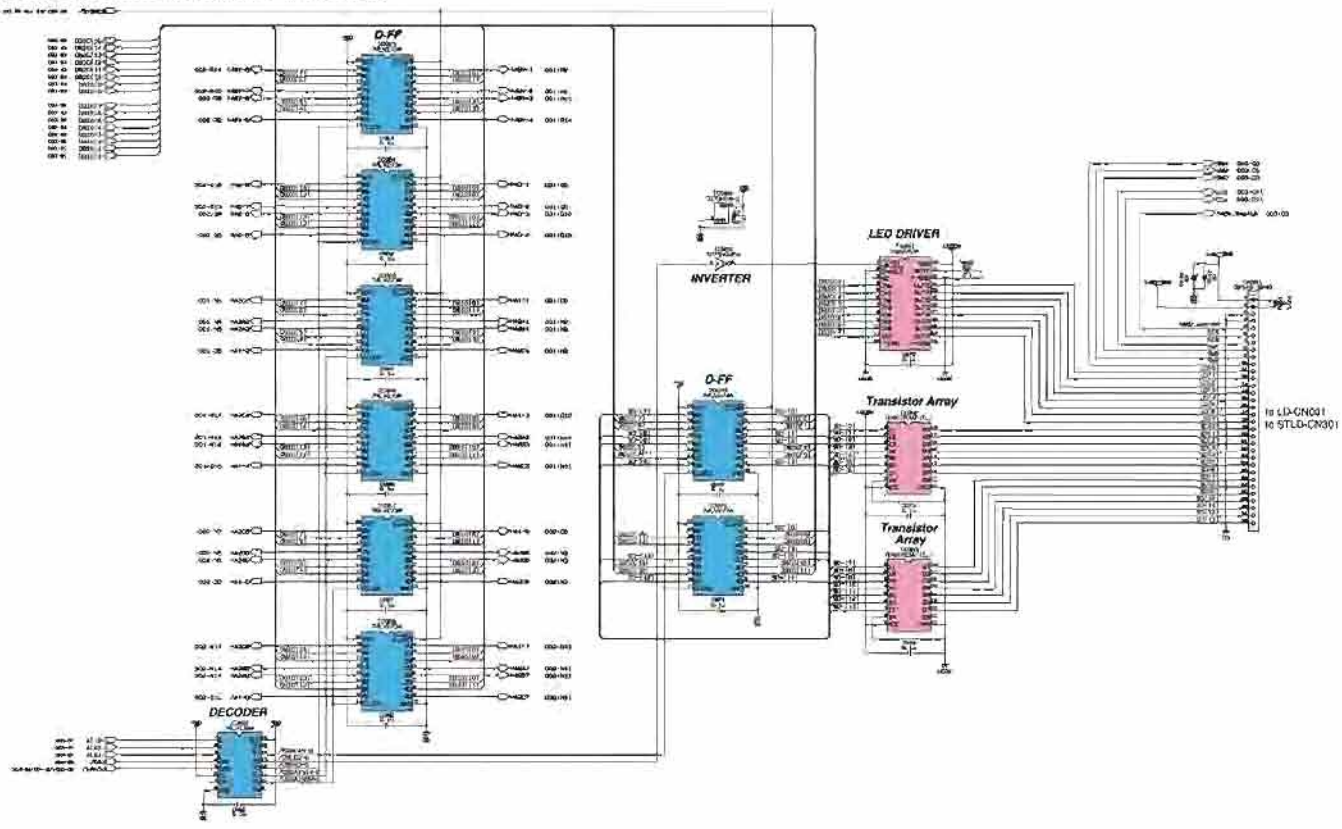
PM5D-RH



P O N M L K J I H G F E D C B

AD3 CIRCUIT DIAGRAM 007 (PM5D-RH)

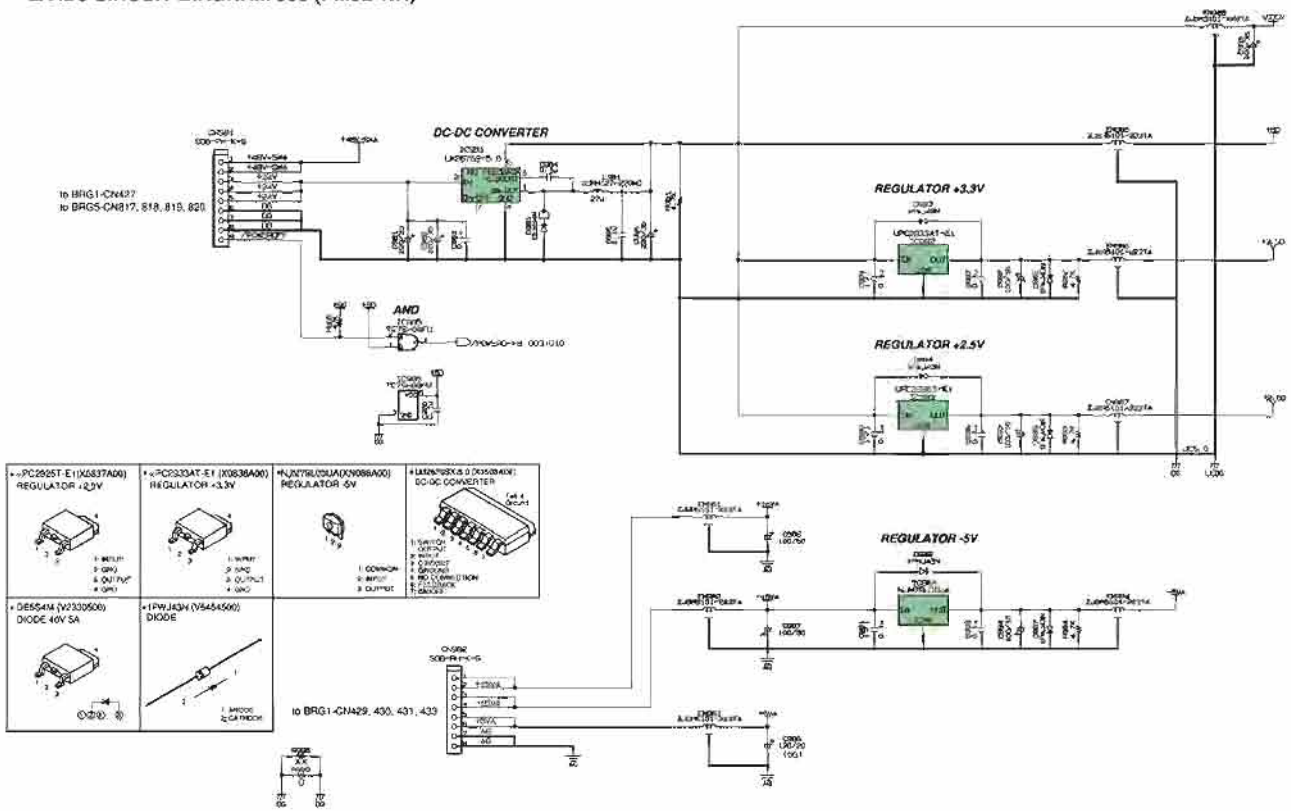
PM5D-RH



K J I H G F E D C B

■ AD3 CIRCUIT DIAGRAM 008 (PM5D-RH)

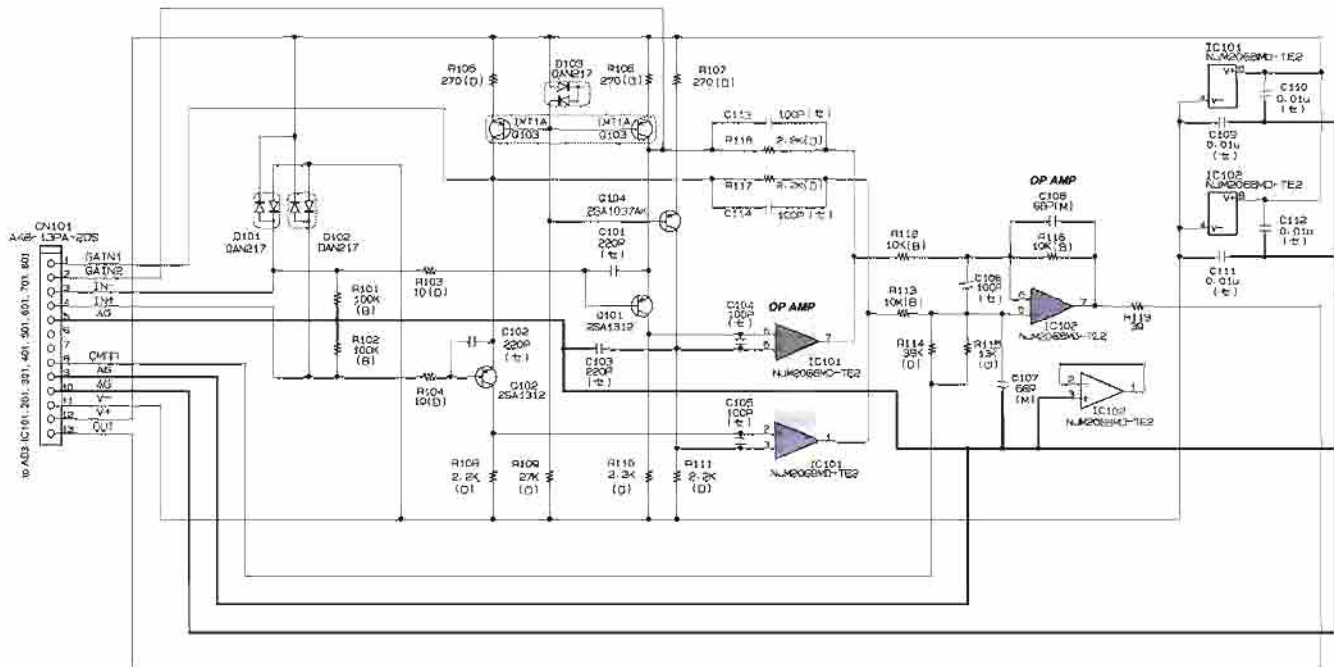
PM5D-RH



H G F E D C B A

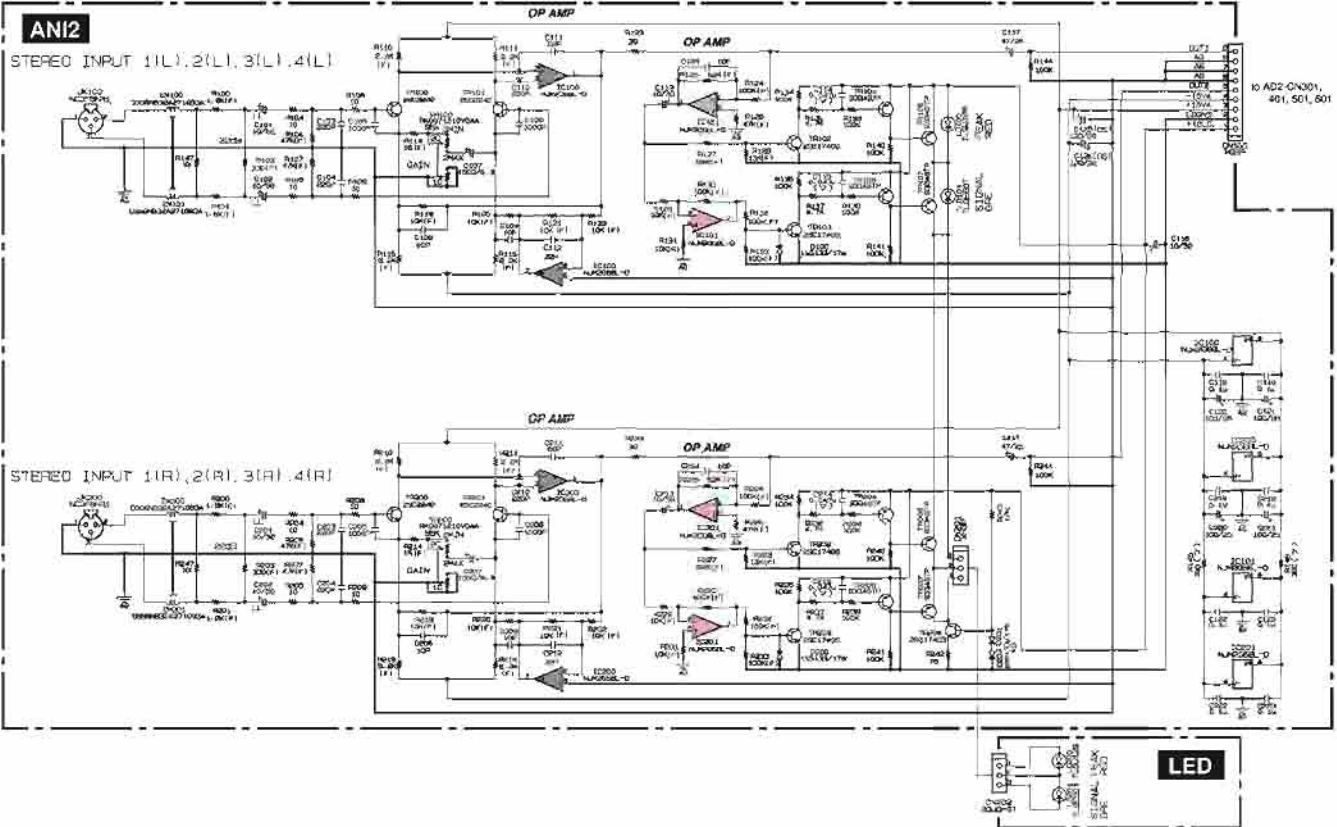
HIC-HA CIRCUIT DIAGRAM (PM5D-RH)

PM5D-RH



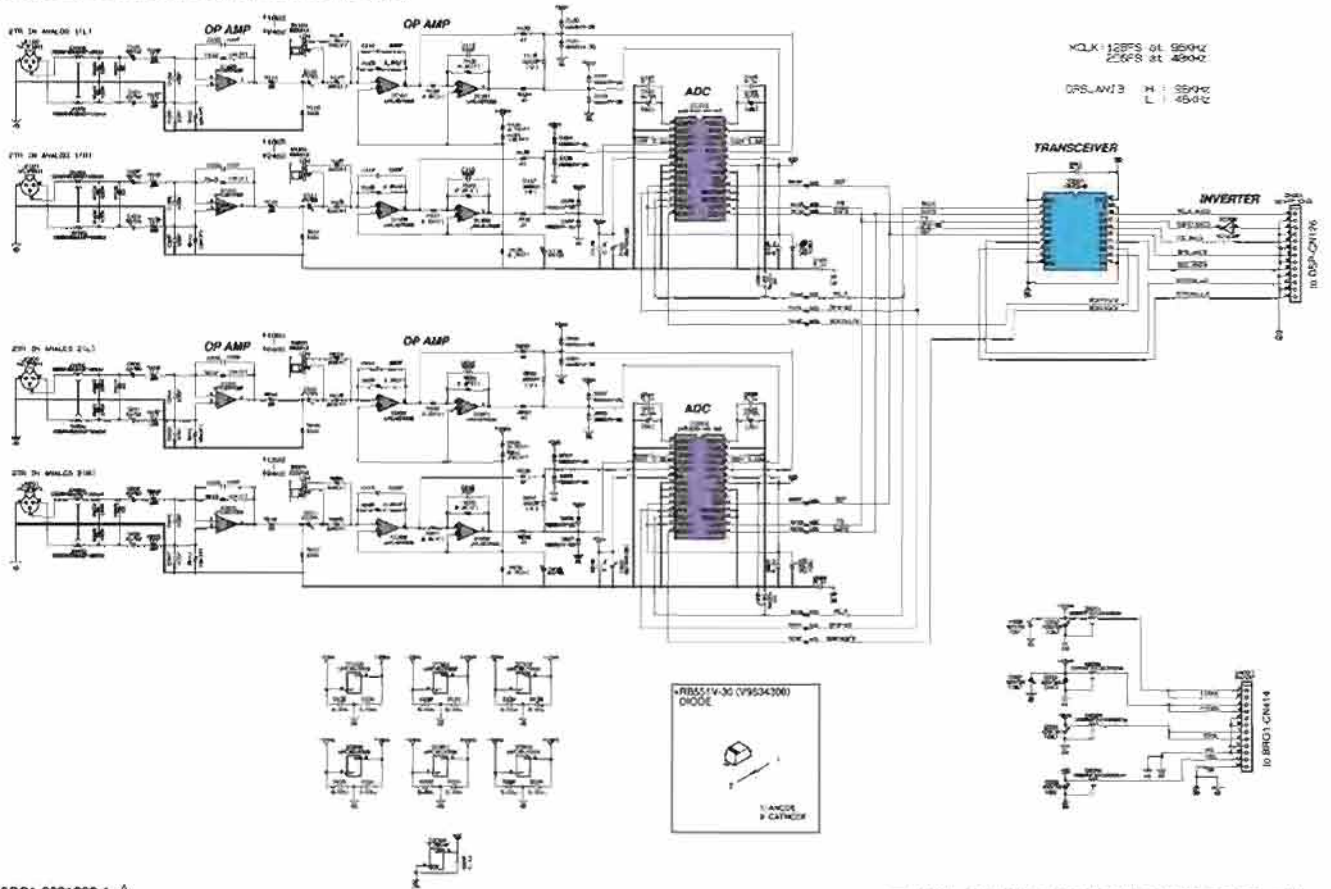
■ ANI2, LED CIRCUIT DIAGRAM (PM5D)

PM5D



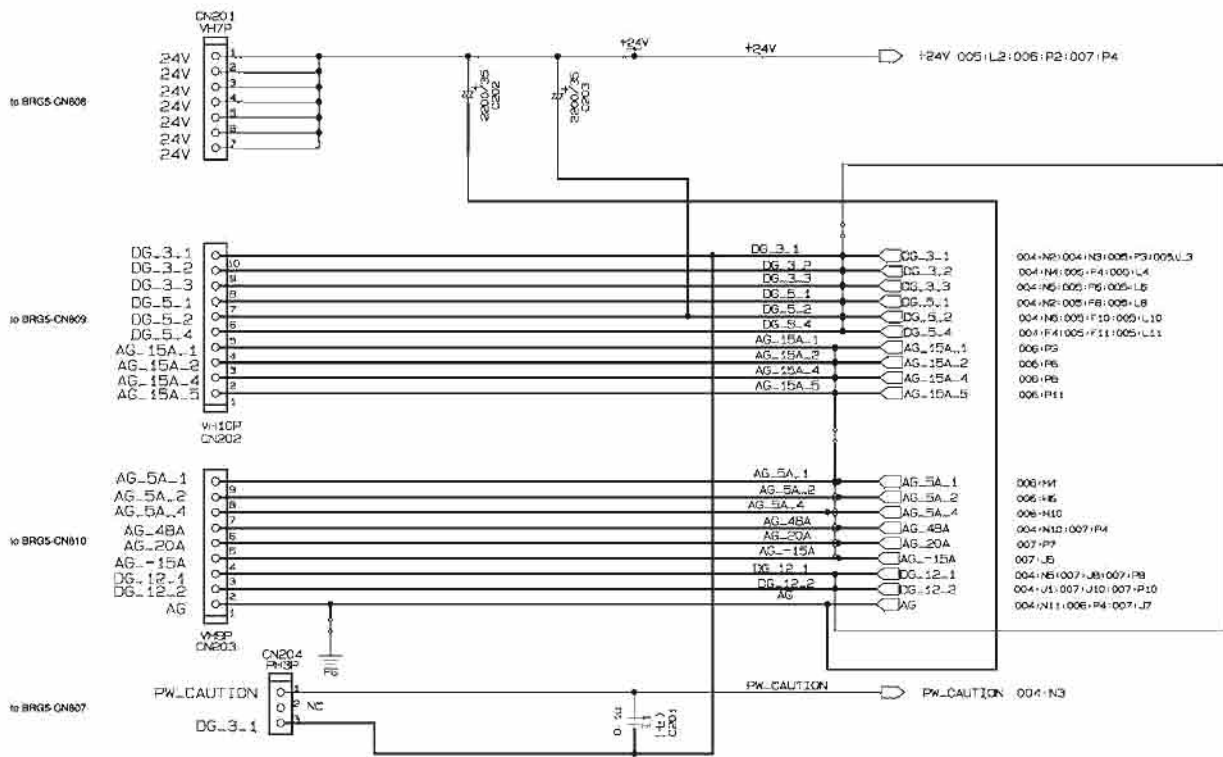
■ ANI3 CIRCUIT DIAGRAM (PM5D/PM5D-RH)

PM5D/PM5D-RH



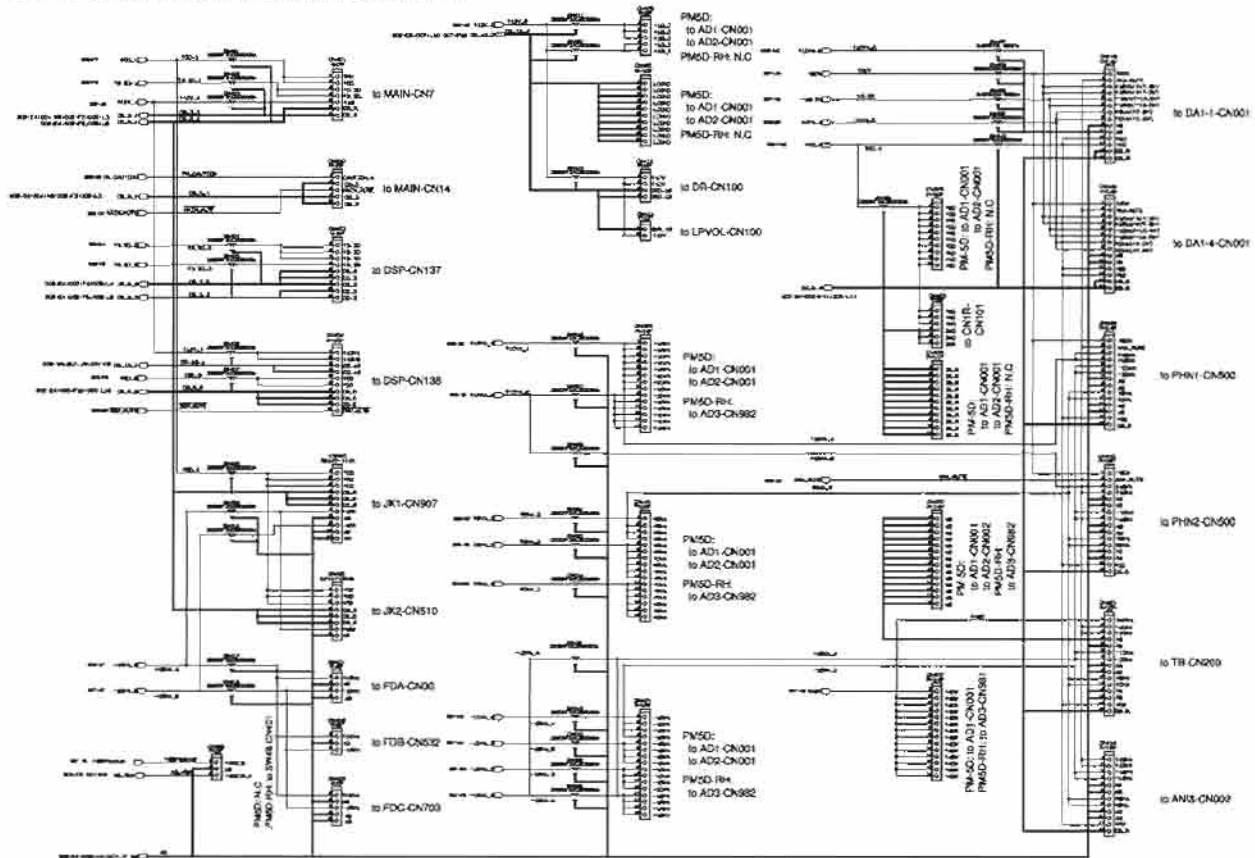
■ BRG1 CIRCUIT DIAGRAM 002 (PM5D/PM5D-RH)

PM5D/PM5D-RH



■ BRG1 CIRCUIT DIAGRAM 004 (PM5D/PM5D-RH)

PM5D/PM5D-RH

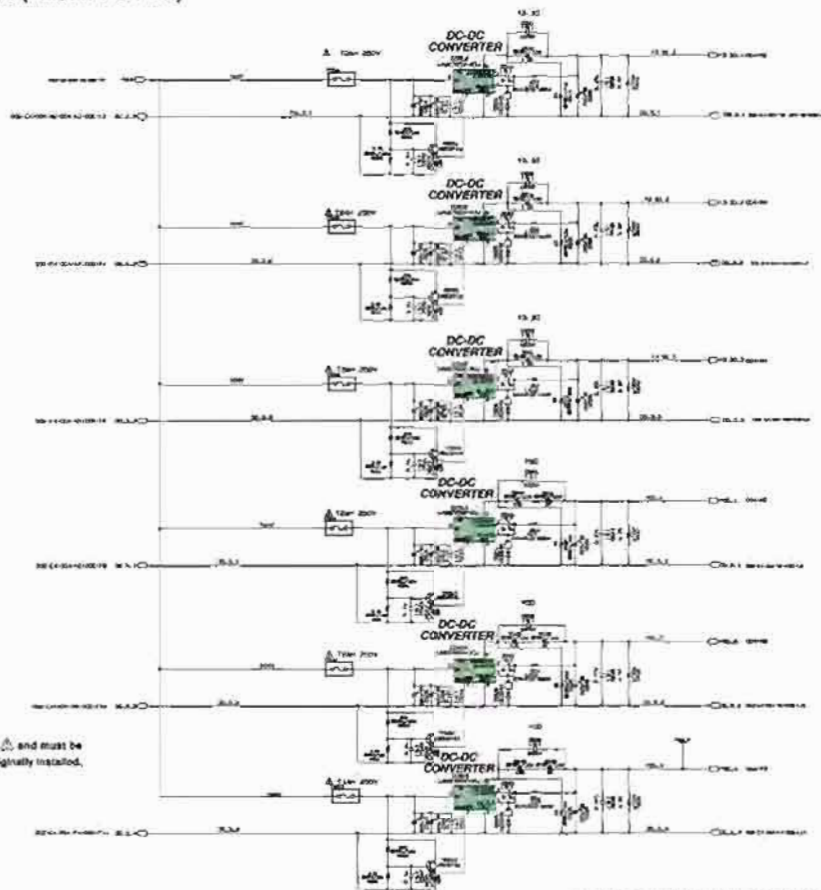
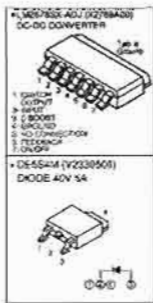



OUTPUT Section


■ BRG1 CIRCUIT DIAGRAM 004 (PM5D/PM5D-RH)

■ BRG1 CIRCUIT DIAGRAM 005 (PM5D/PM5D-RH)

PM5D/PM5D-RH



WARNING
 Components having special characteristics are marked  and must be replaced with parts having specification equal to those originally installed.

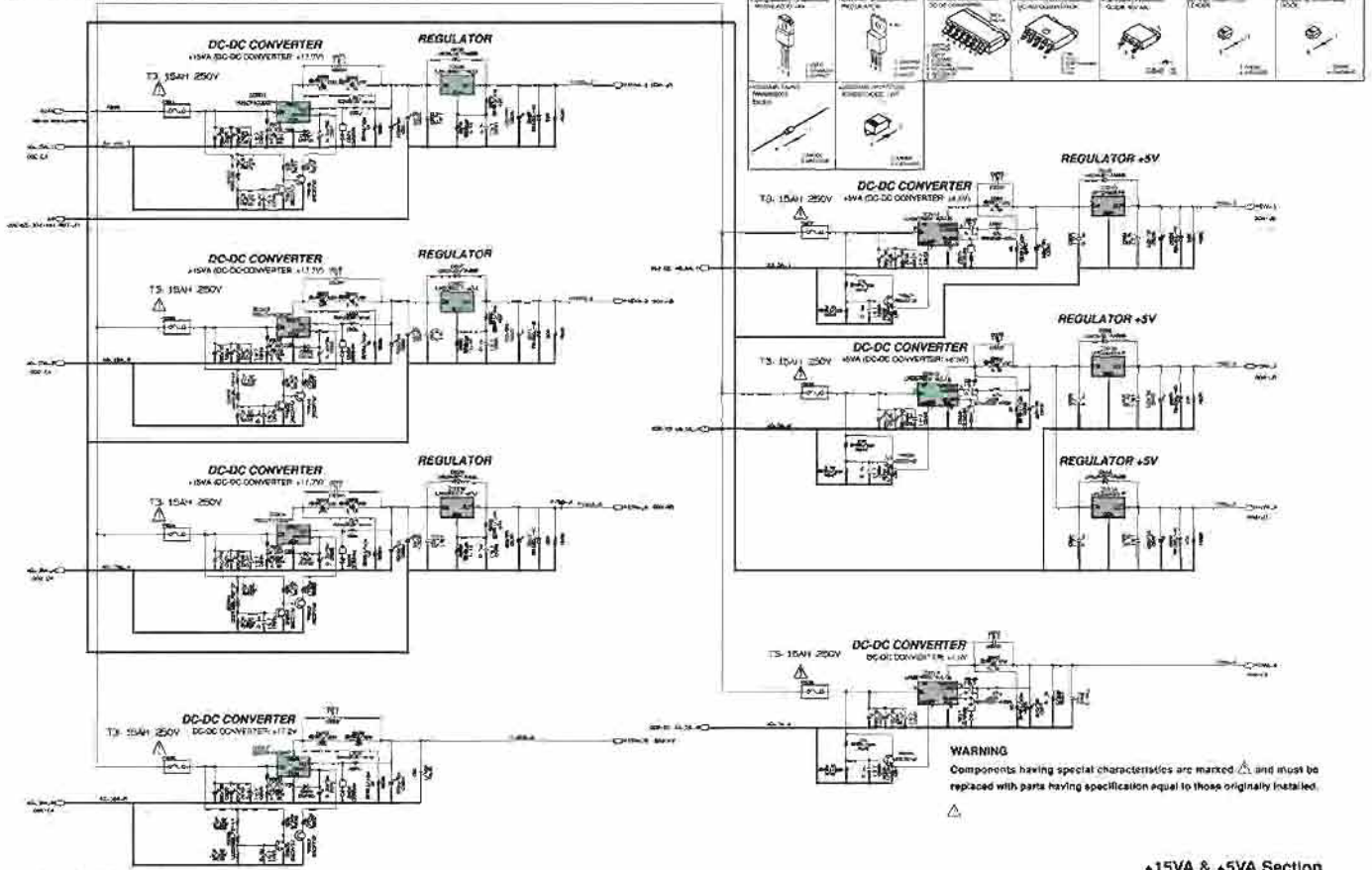
28CC1-8830699-5 

+3.3D & +5D Section
 ■ BRG1 CIRCUIT DIAGRAM 005 (PM5D/PM5D-RH)

Q P O N M L K J I H G F E D C B A

■ BRG1 CIRCUIT DIAGRAM 006 (PM5D/PM5D-RH)

PM5D/PM5D-RH



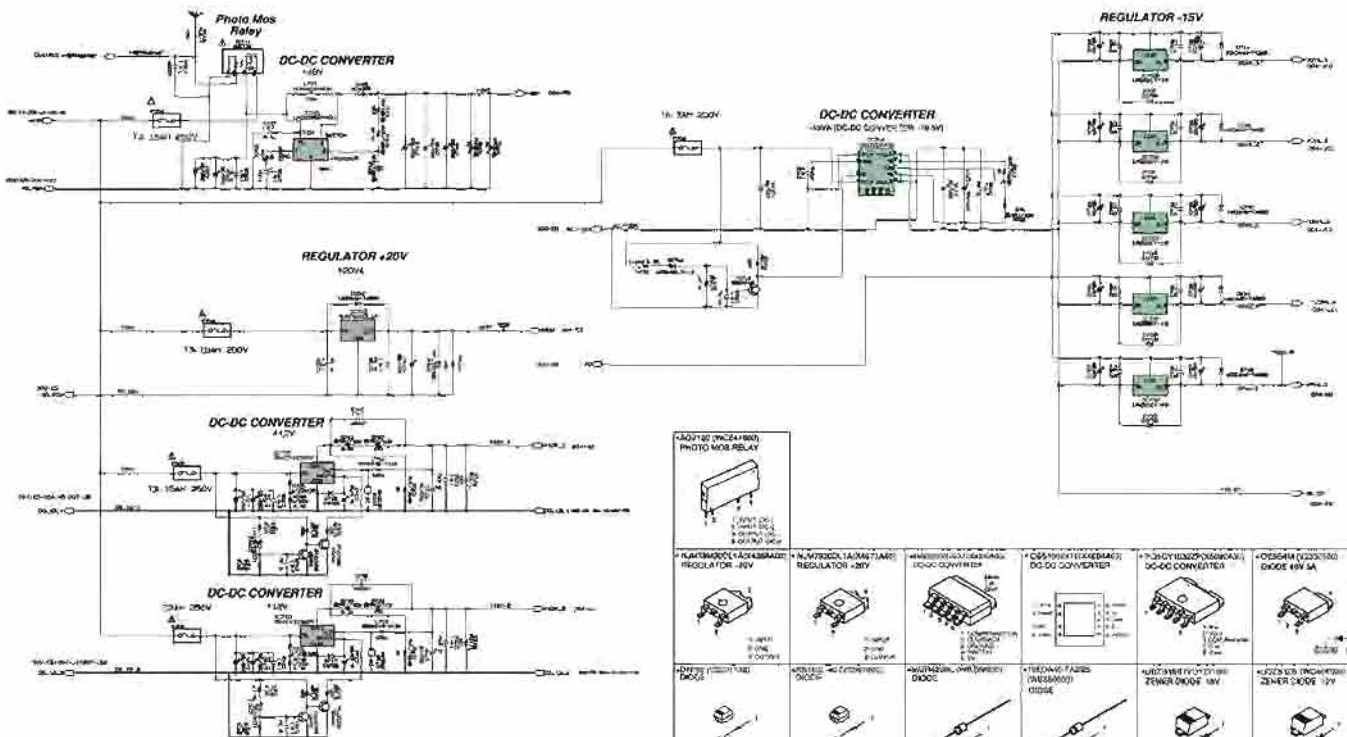
WARNING
 Components having special characteristics are marked \triangle and must be replaced with parts having specification equal to those originally installed.

.48 28CC1-8830599-6 \triangle











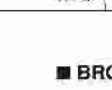



■ BRG1 CIRCUIT DIAGRAM 006 (PM5D/PM5D-RH)
 +15VA & +5VA Section

■ BRG1 CIRCUIT DIAGRAM 007 (PM5D/PM5D-RH)

PM5D/PM5D-RH



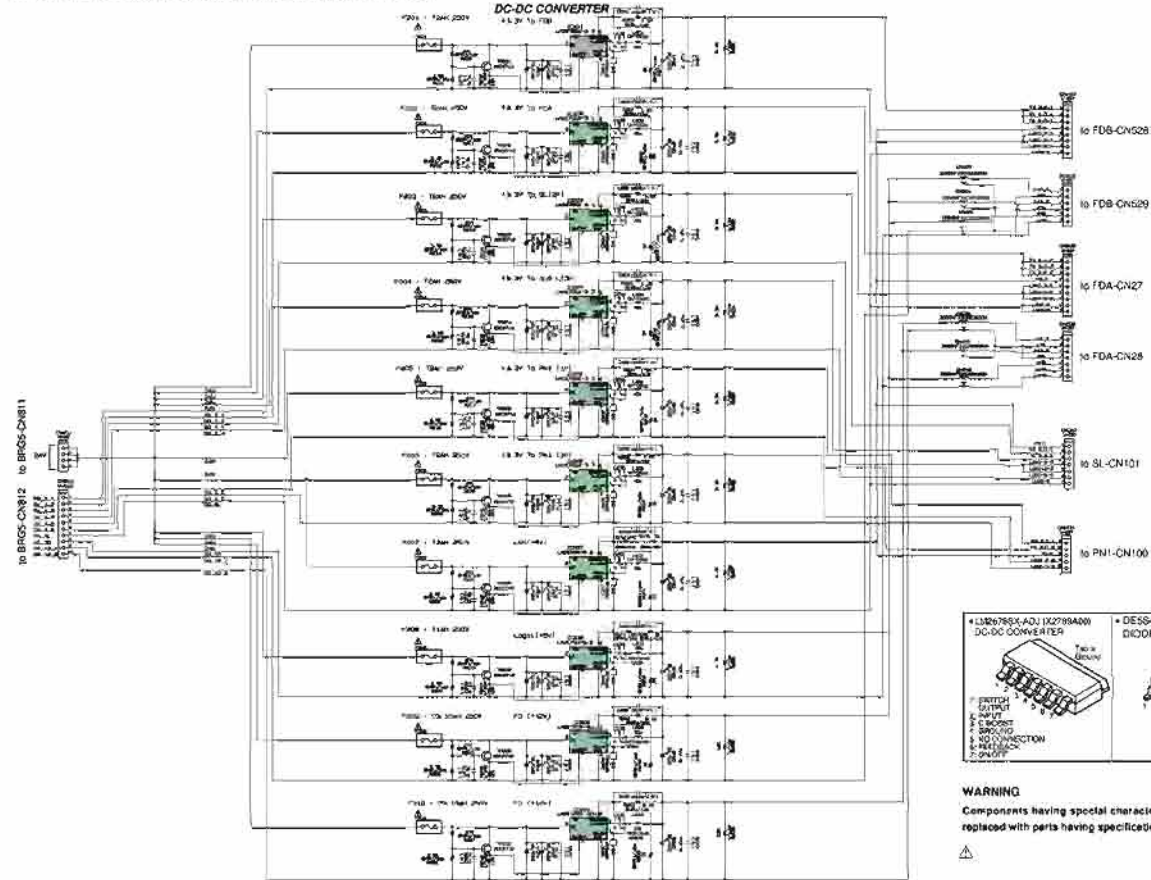
WARNING
 Components having special characteristics are marked Δ and must be replaced with parts having specification equal to those originally installed.

 1-320712 (PMS5180) PHOTO MOS RELAY	 1-341360 (L7815AD) REGULATOR -15V	 1-341360 (L7820AD) REGULATOR -20V	 1-341360 (L7820AD) DC-DC CONVERTER	 1-341360 (L7820AD) DC-DC CONVERTER	 1-341360 (L7820AD) DC-DC CONVERTER	 1-341360 (L7820AD) DIODE 4W 1A
 1-341360 (L7820AD) DIODE	 1-341360 (L7820AD) DIODE	 1-341360 (L7820AD) DIODE	 1-341360 (L7820AD) DIODE	 1-341360 (L7820AD) DIODE	 1-341360 (L7820AD) DIODE	 1-341360 (L7820AD) DIODE

28CC1-8830699-7 Δ

■ BRG2 CIRCUIT DIAGRAM (PM5D/PM5D-RH)

PM5D/PM5D-RH

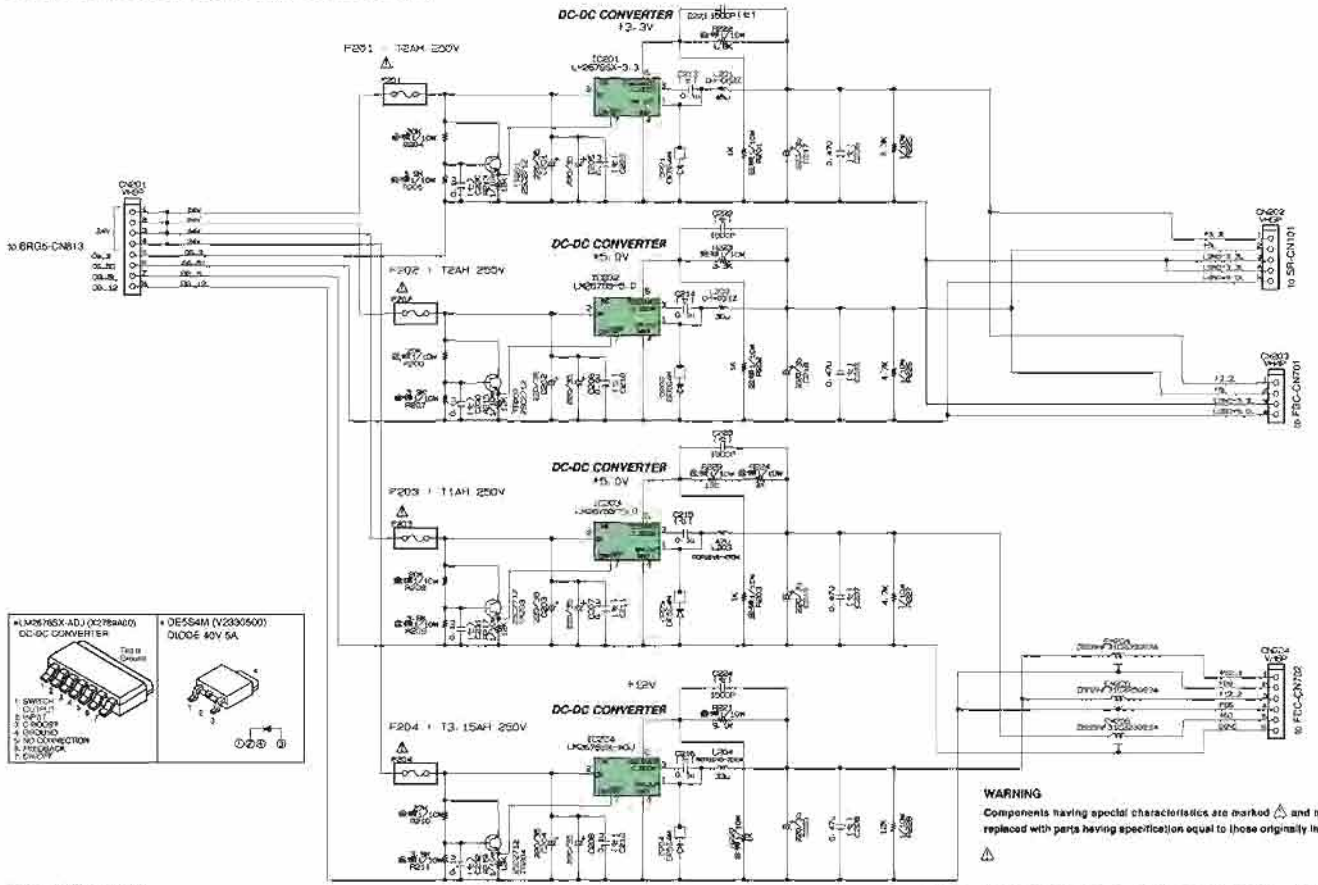


<ul style="list-style-type: none"> 1. SWITCH 2. DIODE 3. CAPACITOR 4. RESISTOR 5. NO CONNECTION 6. RESISTOR 7. CAPACITOR 	<p>Part # (GROUP)</p>	<ul style="list-style-type: none"> 1. DIODE (V2330500) 2. DIODE 40V 5A
---	-----------------------	--

WARNING
 Components having special characteristics are marked Δ , and must be replaced with parts having specification equal to those originally installed.

■ BRG3 CIRCUIT DIAGRAM (PM5D/PM5D-RH)

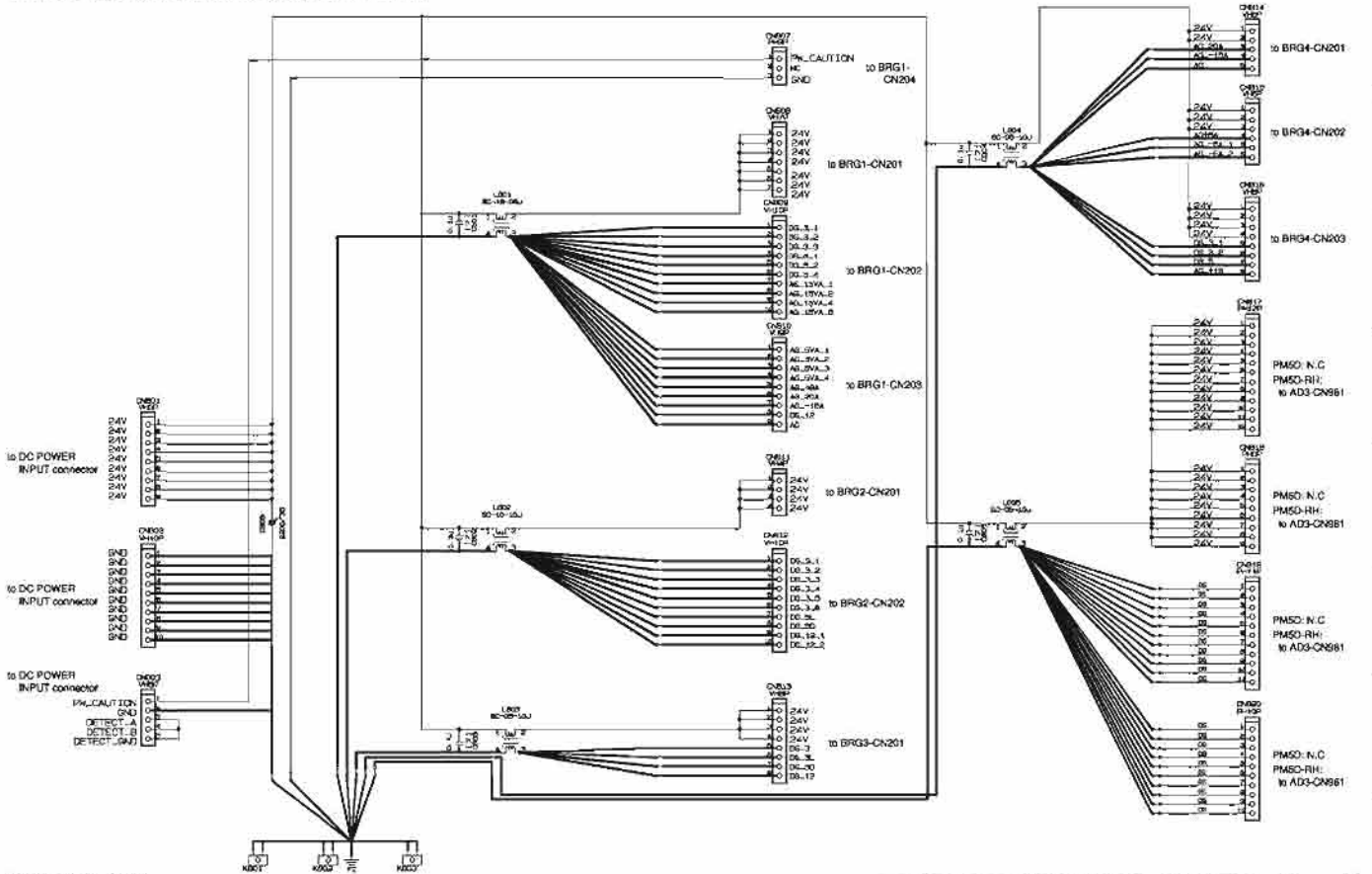
PM5D/PM5D-RH



28CC1-8830428-1

■ BRG3 CIRCUIT DIAGRAM (PM5D/PM5D-RH)

■ BRG5 CIRCUIT DIAGRAM (PM5D/PM5D-RH)



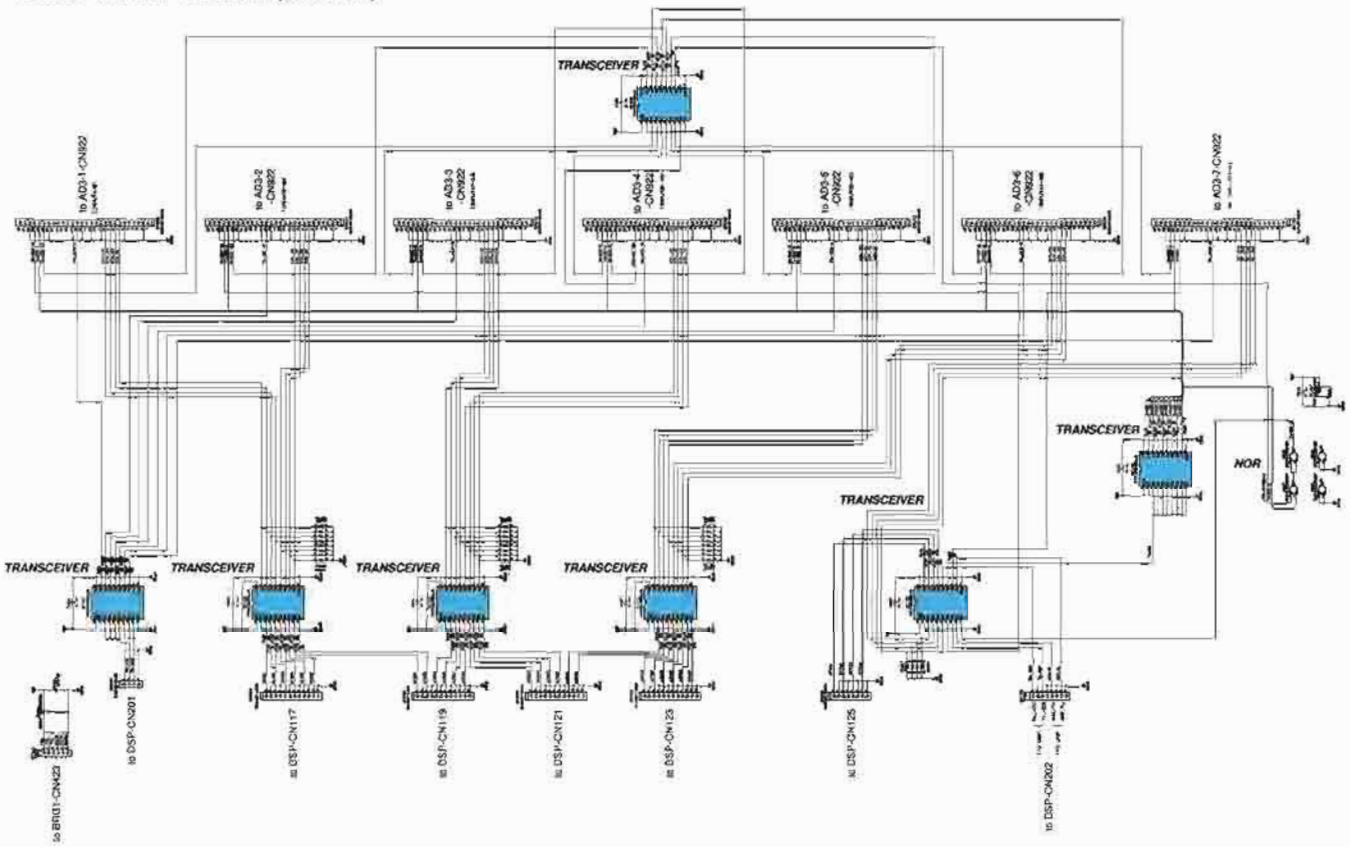
28CC1-8830700-1

■ BRG5 CIRCUIT DIAGRAM (PM5D/PM5D-RH)

W V U T S R O P O N M L K J I H G F E D C B A

■ CN1R CIRCUIT DIAGRAM (PM5D-RH)

PM5D-RH



D

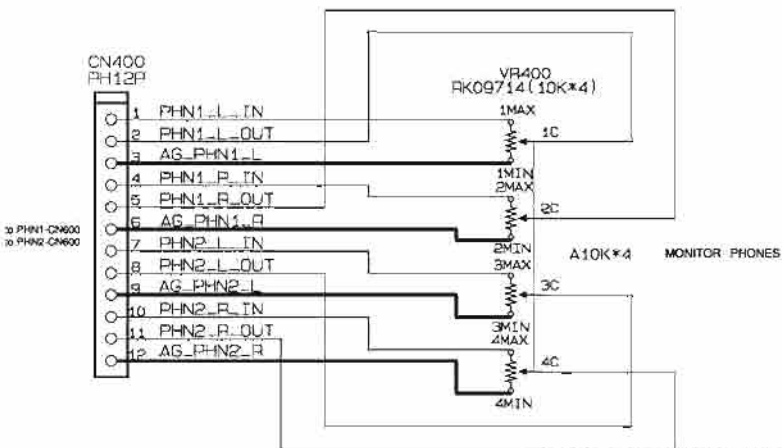
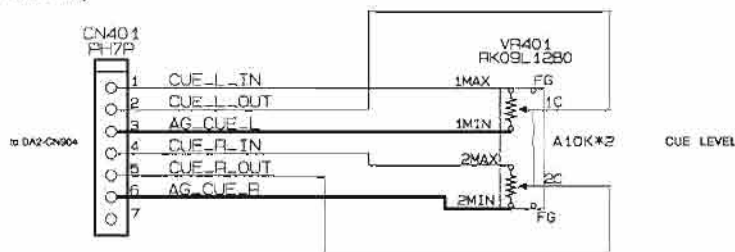
C

B

A

■ CUVOL CIRCUIT DIAGRAM (PM5D/PM5D-RH)

PM5D/PM5D-RH



28CC1-8831288-1

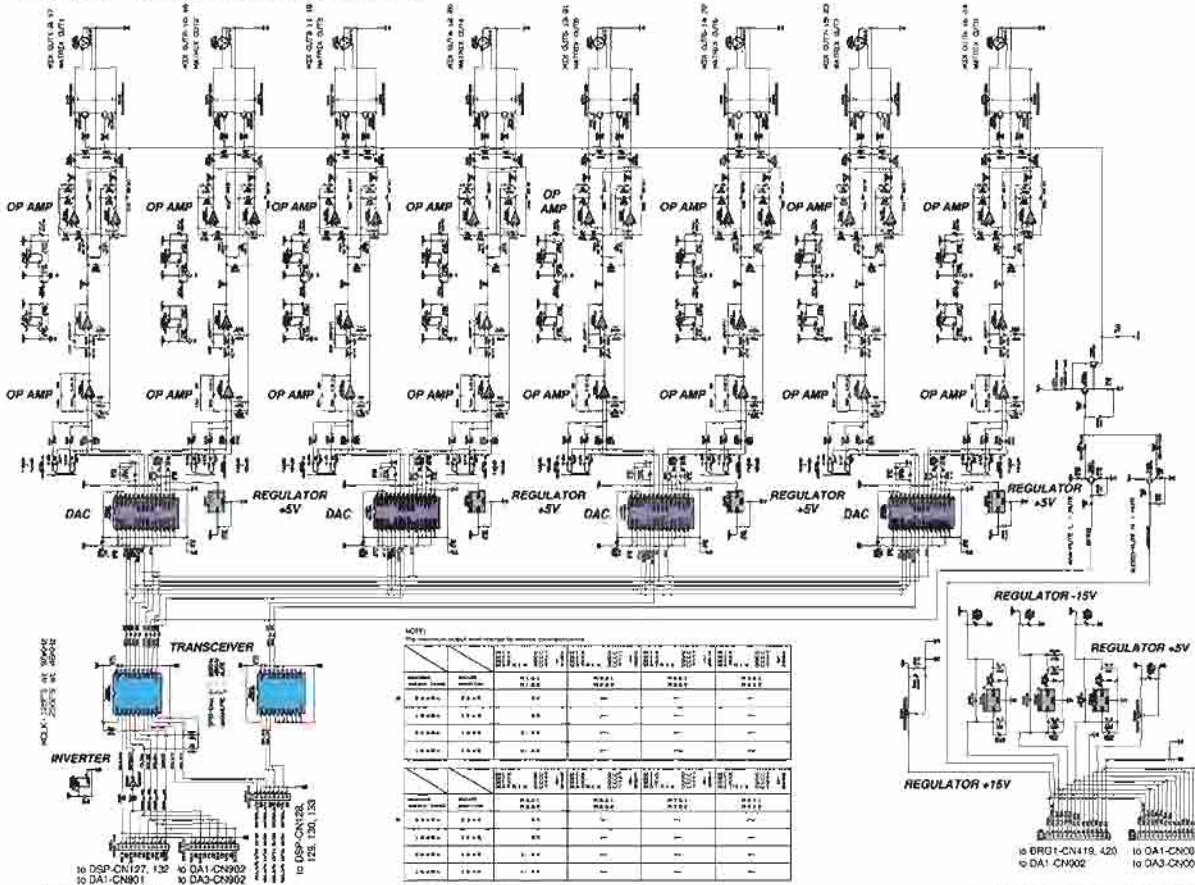
■ CUVOL CIRCUIT DIAGRAM (PM5D/PM5D-RH)

55

W V U T S R O P O N M L K J I H G F E D C B A

DA1 CIRCUIT DIAGRAM (PM5D/PM5D-RH)

PM5D/PM5D-RH



Component list for the DA1 circuit diagram:

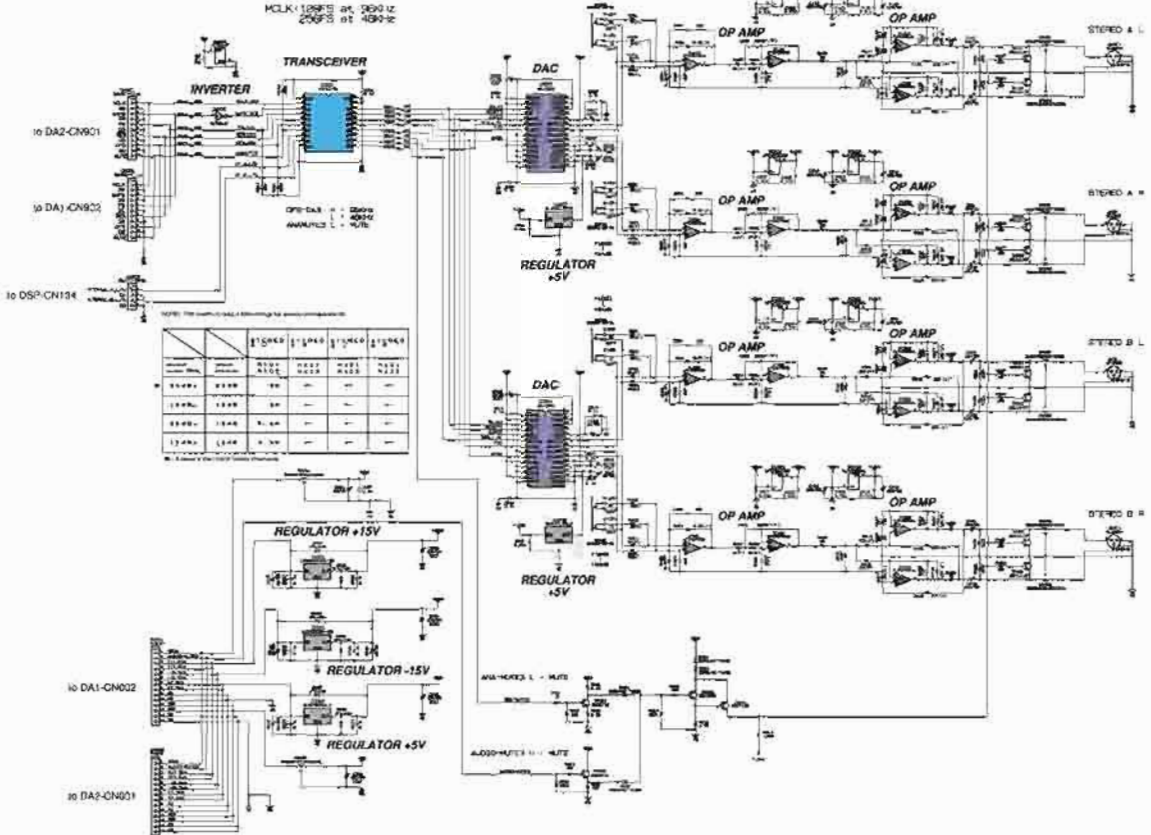
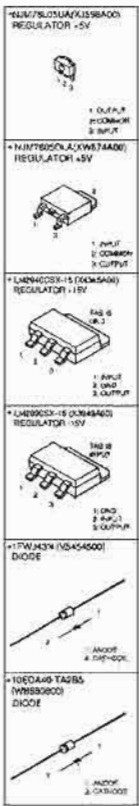
- *LM78L05LA (U0588A00) REGULATOR +5V
- *LM7805LA (U074A00) REGULATOR +5V
- *LM4962S (15 (U085A00) REGULATOR +15V
- *LM4962S (15 (U085A00) REGULATOR +15V
- *74V34N (V4607000) DIODE
- *10SD40 1A18Z (W880300) DIODE

Channel	OP AMP	DAC	REGULATOR +5V	REGULATOR +15V
1	U01	U02	U03	U04
2	U05	U06	U07	U08
3	U09	U10	U11	U12
4	U13	U14	U15	U16
5	U17	U18	U19	U20
6	U21	U22	U23	U24
7	U25	U26	U27	U28
8	U29	U30	U31	U32
9	U33	U34	U35	U36
10	U37	U38	U39	U40
11	U41	U42	U43	U44
12	U45	U46	U47	U48
13	U49	U50	U51	U52
14	U53	U54	U55	U56
15	U57	U58	U59	U60
16	U61	U62	U63	U64

DA1 CIRCUIT DIAGRAM (PM5D/PM5D-RH)

■ DA3 CIRCUIT DIAGRAM (PM5D/PM5D-RH)

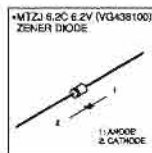
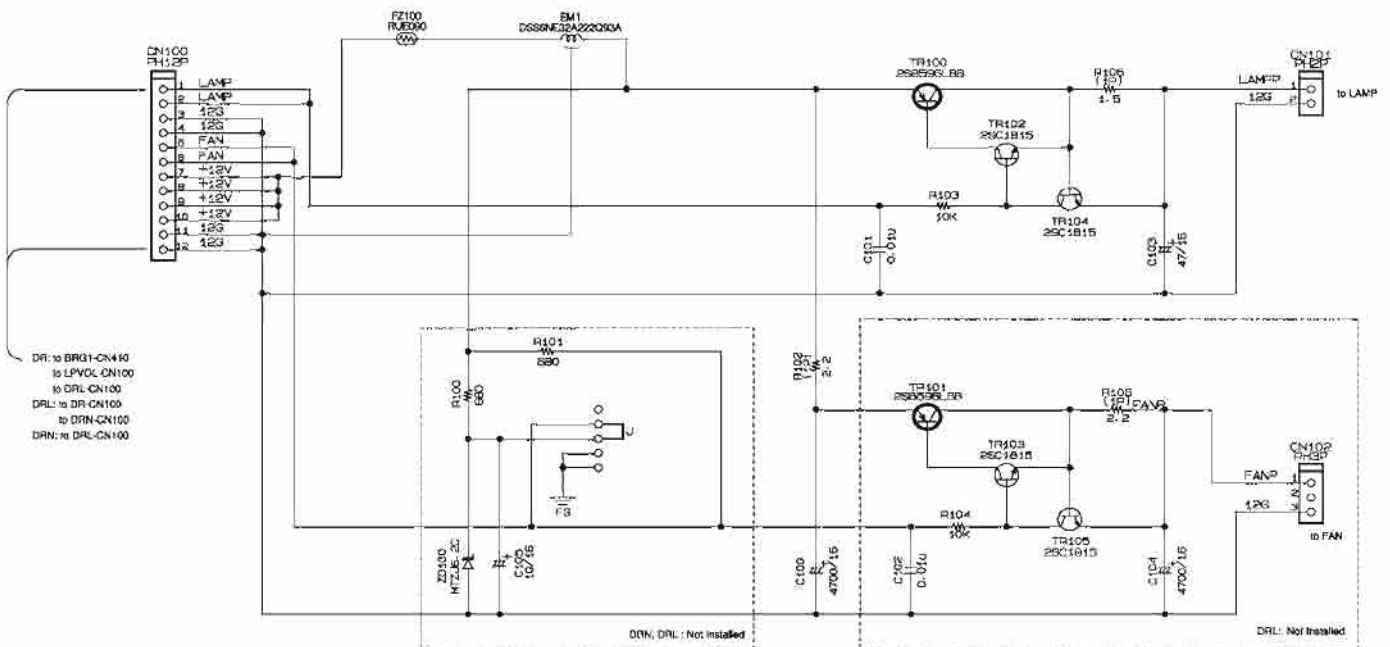
PM5D/PM5D-RH



	STEREO	STEREO	STEREO	STEREO
STEREO	STEREO	STEREO	STEREO	STEREO
STEREO	STEREO	STEREO	STEREO	STEREO
STEREO	STEREO	STEREO	STEREO	STEREO
STEREO	STEREO	STEREO	STEREO	STEREO

■ DR, DRL, DRN CIRCUIT DIAGRAM (PM5D/PM5D-RH)

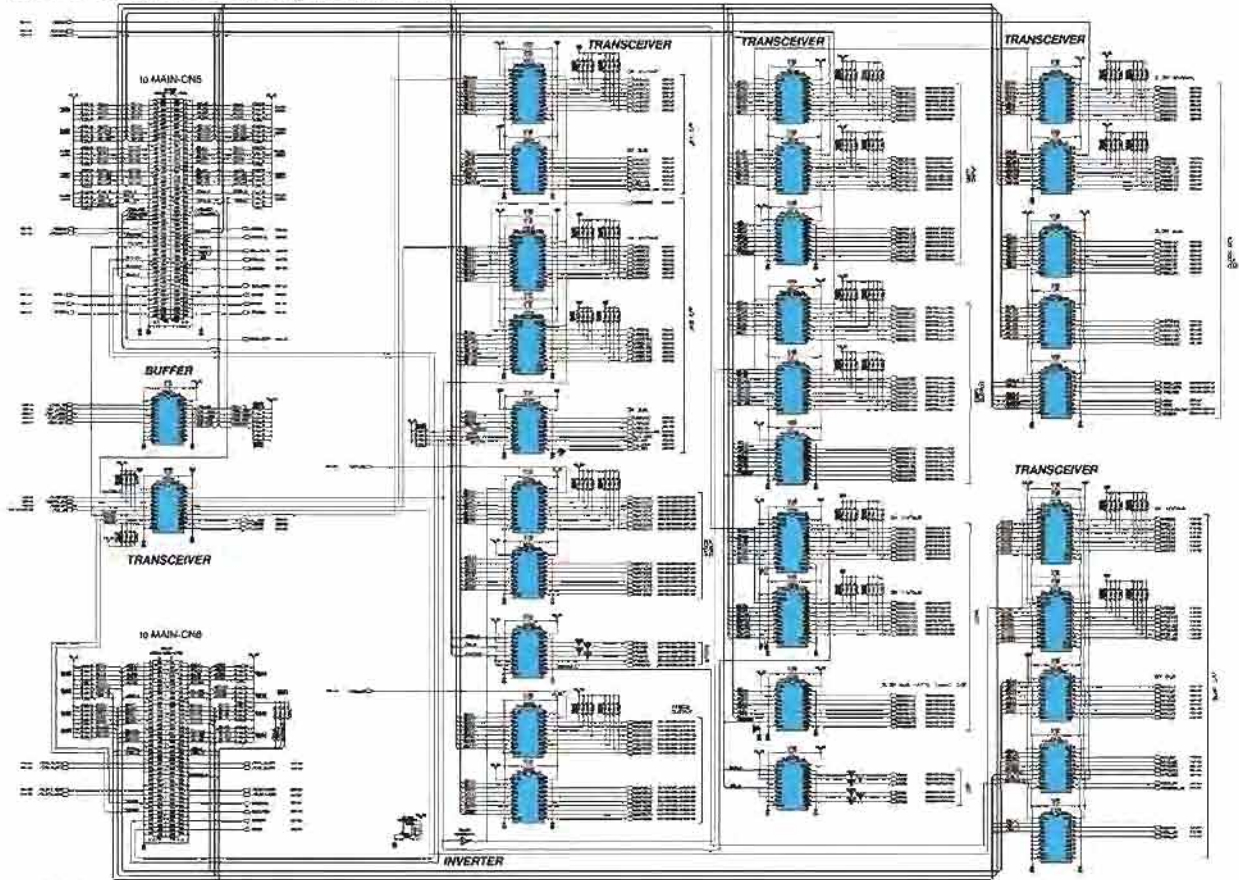
PM5D/PM5D-RH



X W V U T S R Q P O N M L K J I H G F E D C B A

■ DSP CIRCUIT DIAGRAM 002 (PM5D/PM5D-RH)

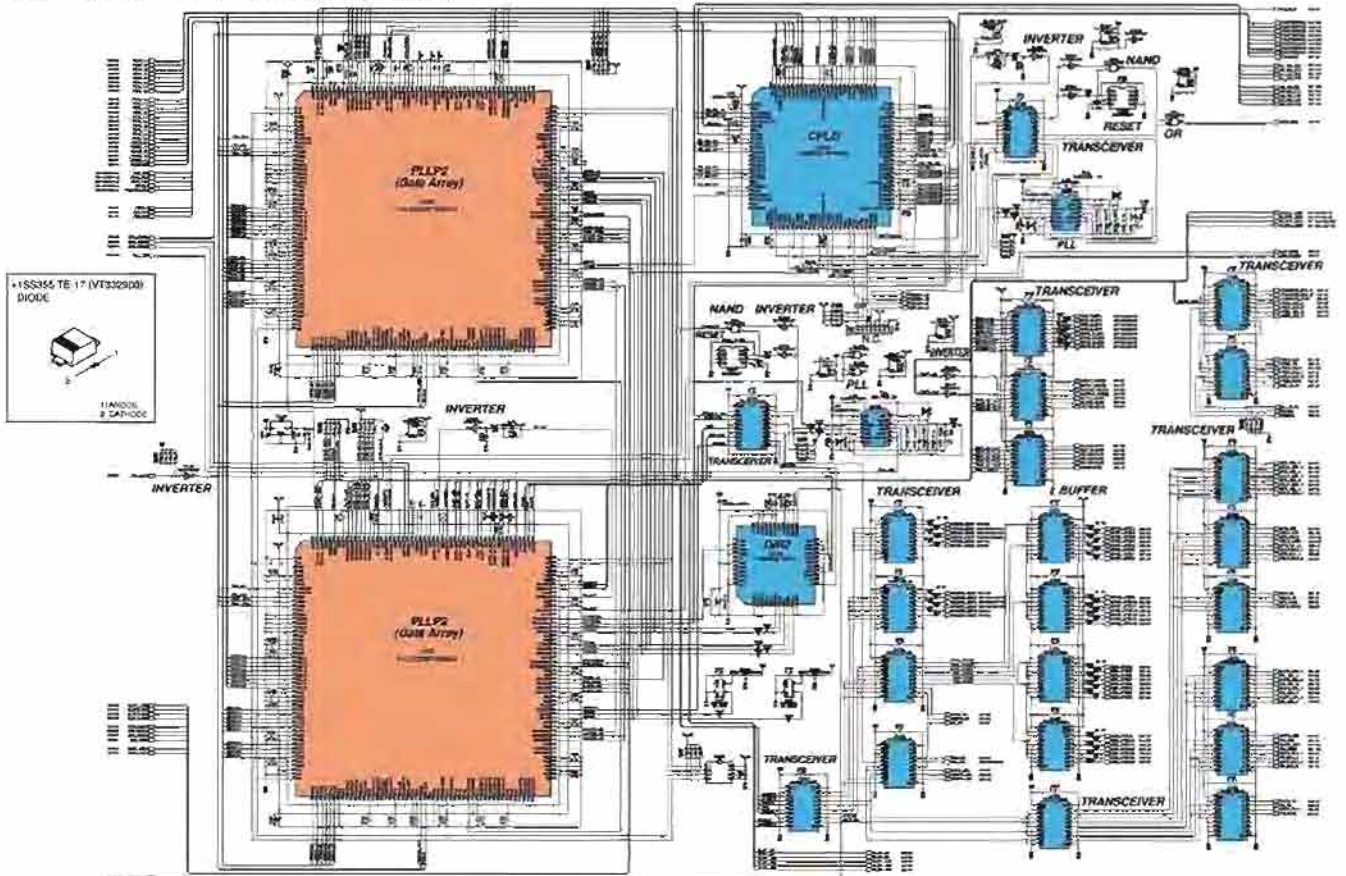
PM5D/PM5D-RH



X W V U T S R Q P O N M L K J I H G F E D C B A

■ DSP CIRCUIT DIAGRAM 003 (PM5D/PM5D-RH)

PM5D/PM5D-RH

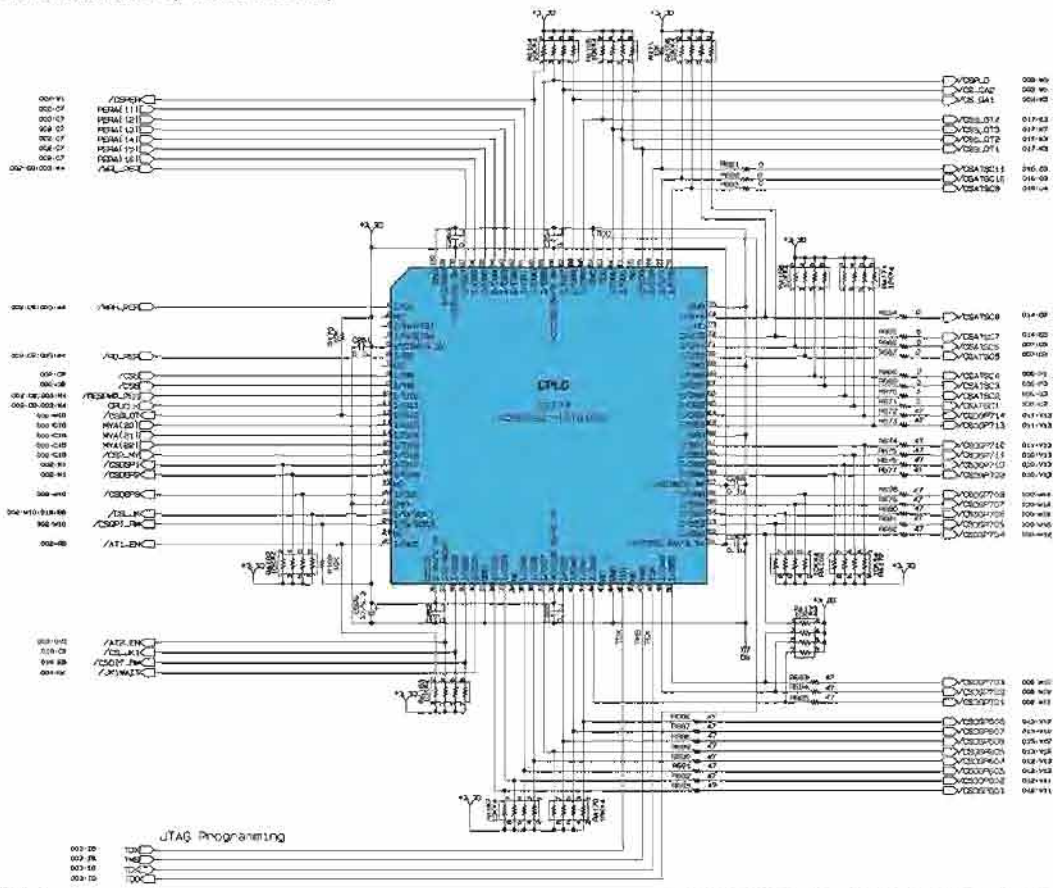


28CC1-8827233-3

■ DSP CIRCUIT DIAGRAM 003 (PM5D/PM5D-RH)

■ DSP CIRCUIT DIAGRAM 004 (PM5D/PM5D-RH)

PM5D/PM5D-RH

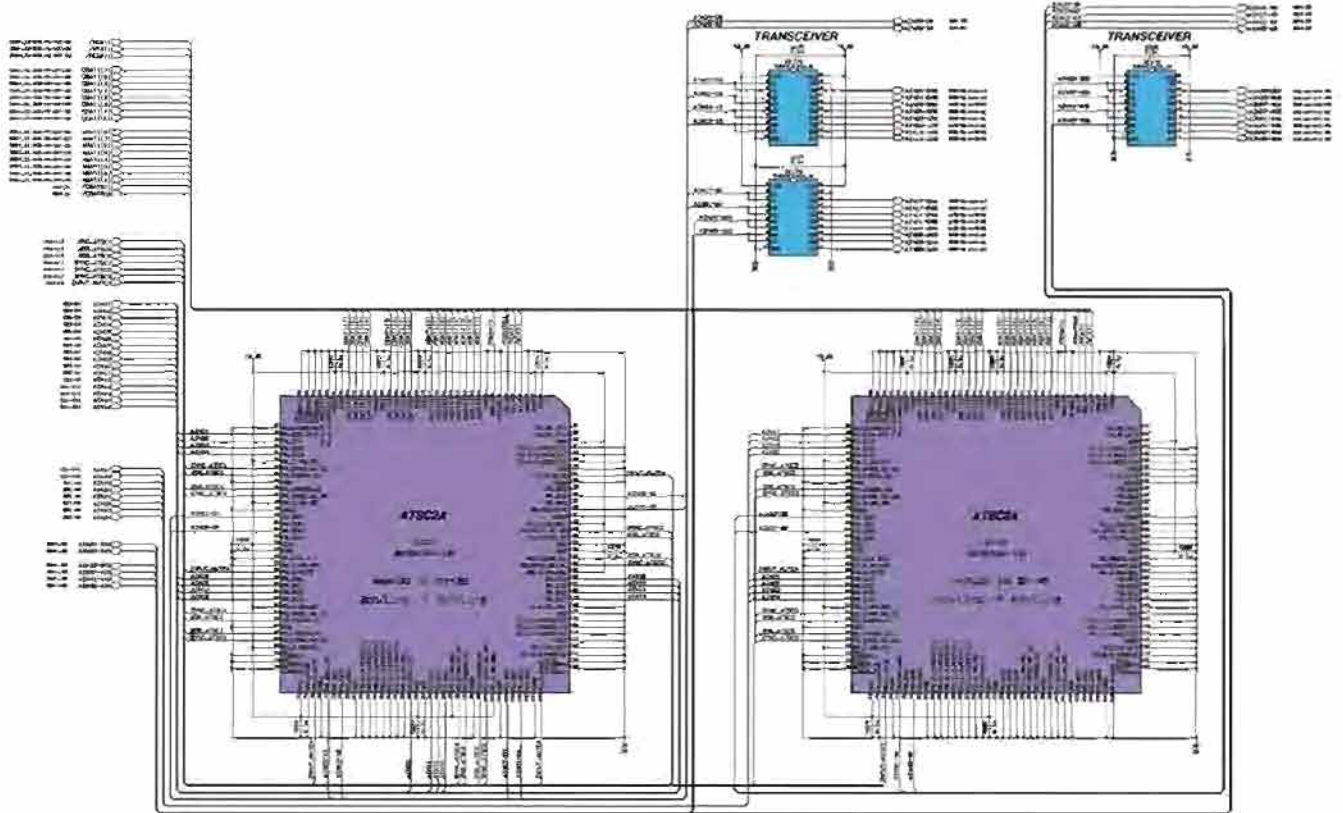


■ DSP OVERALL CIRCUIT DIAGRAM 004 (PM5D/PM5D-RH)

Q P O N M L K J I H G F E D C B A

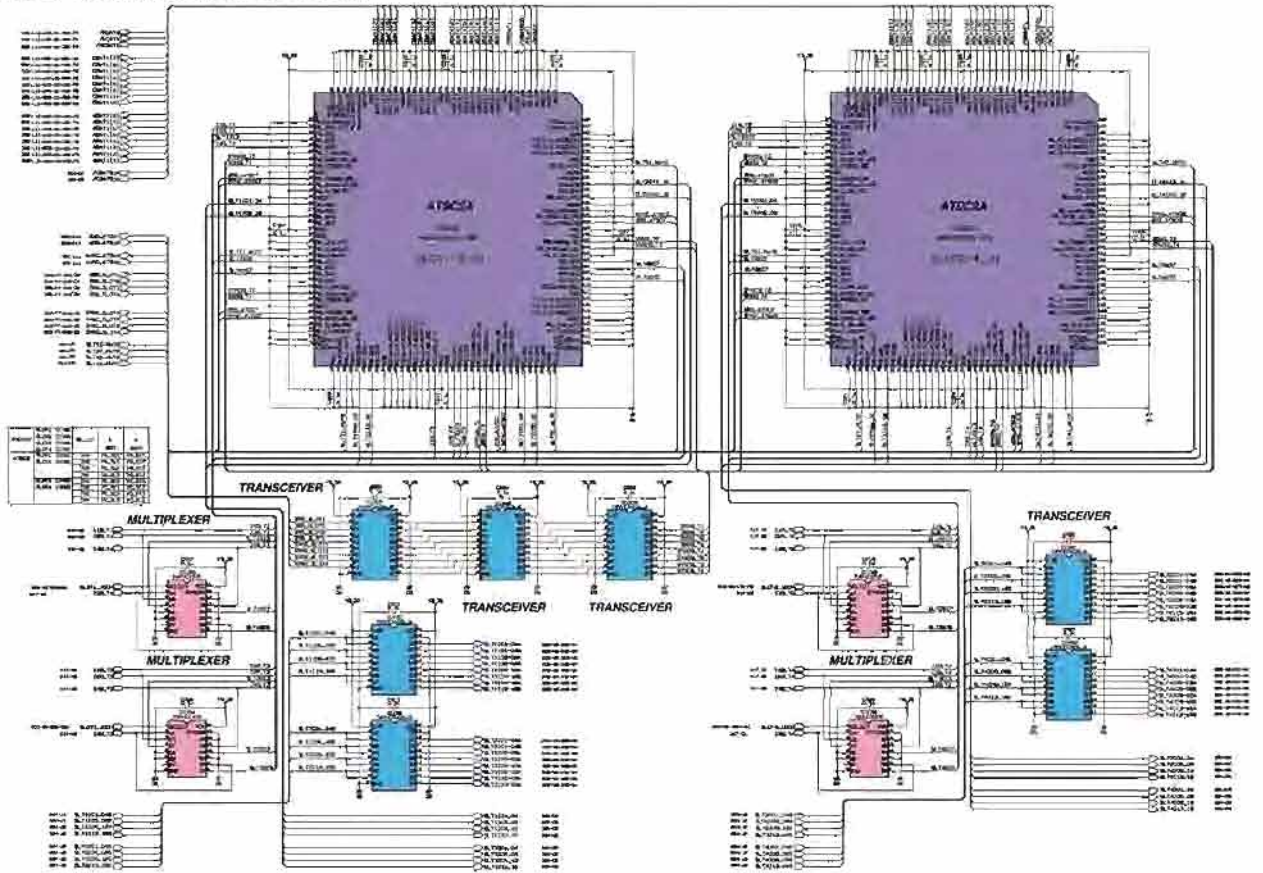
■ DSP OVERALL CIRCUIT DIAGRAM 005 (PM5D/PM5D-RH)

PM5D/PM5D-RH



■ DSP CIRCUIT DIAGRAM 007 (PM5D/PM5D-RH)

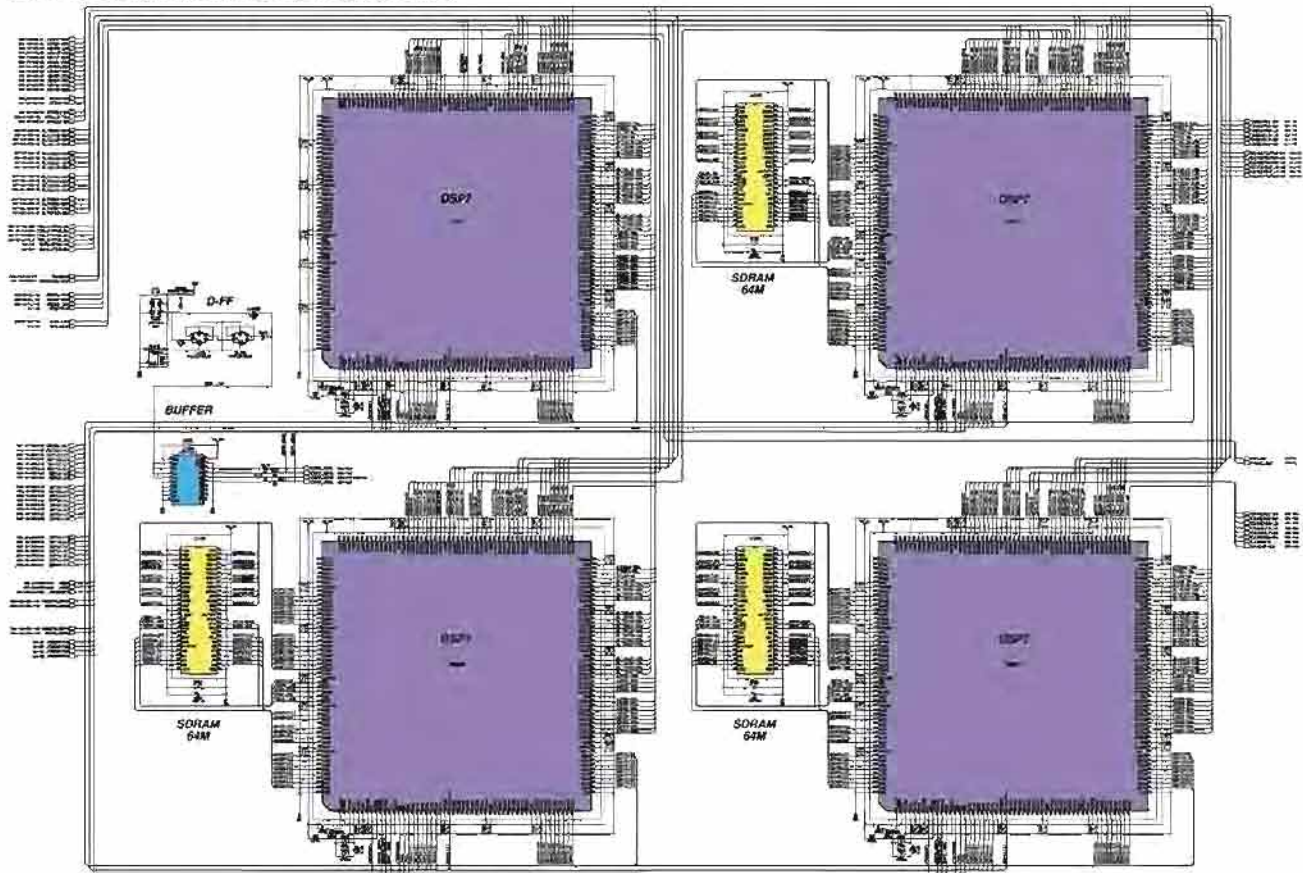
PM5D/PM5D-RH



X W V U T S R O P O N M L K J I H G F E D C B A

■ DSP CIRCUIT DIAGRAM 008 (PM5D/PM5D-RH)

PM5D/PM5D-RH

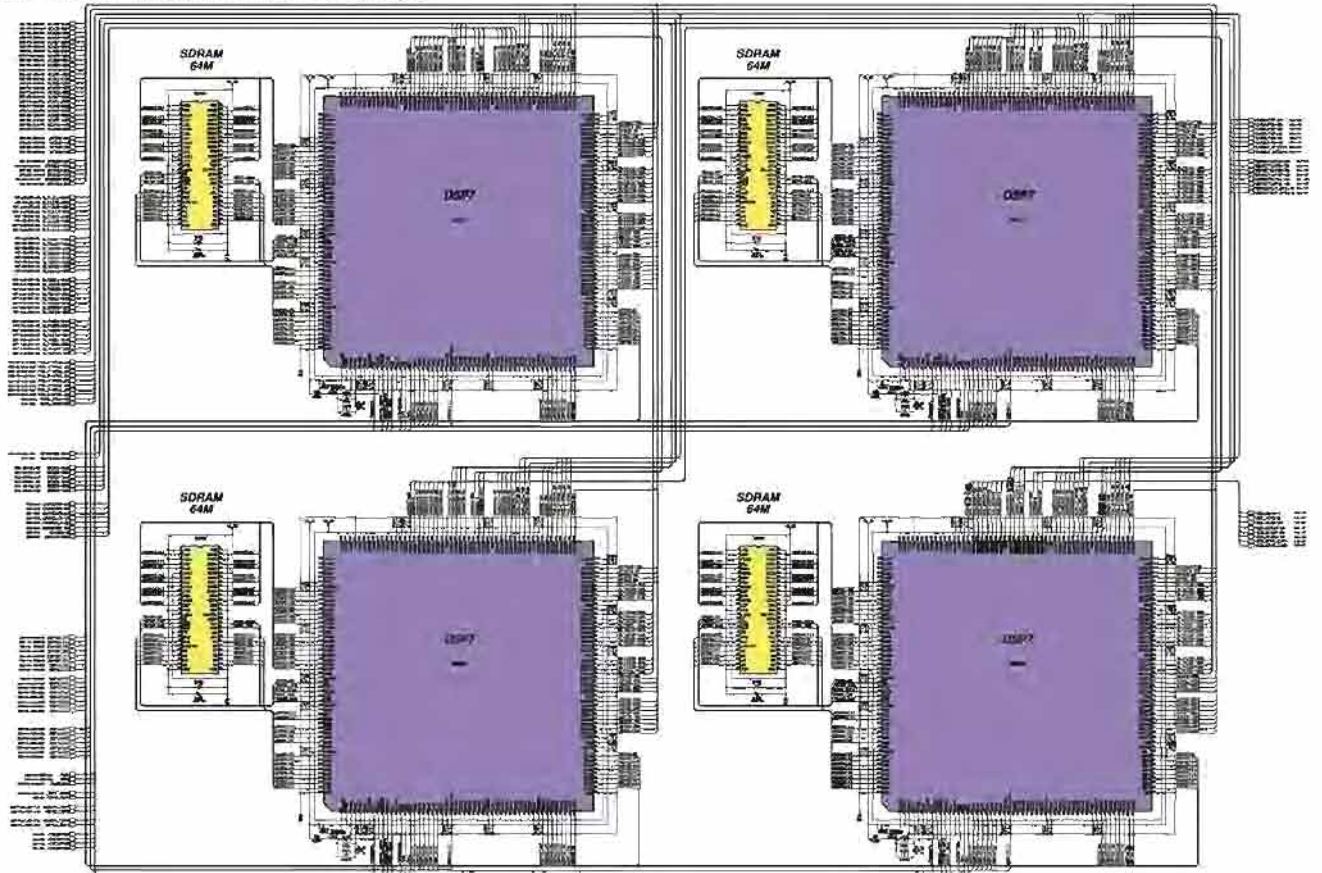


■ DSP CIRCUIT DIAGRAM 008 (PM5D/PM5D-RH)

X W V U T S R Q P O N M L K J I H G F E D C B A

■ DSP CIRCUIT DIAGRAM 009 (PM5D/PM5D-RH)

PM5D/PM5D-RH



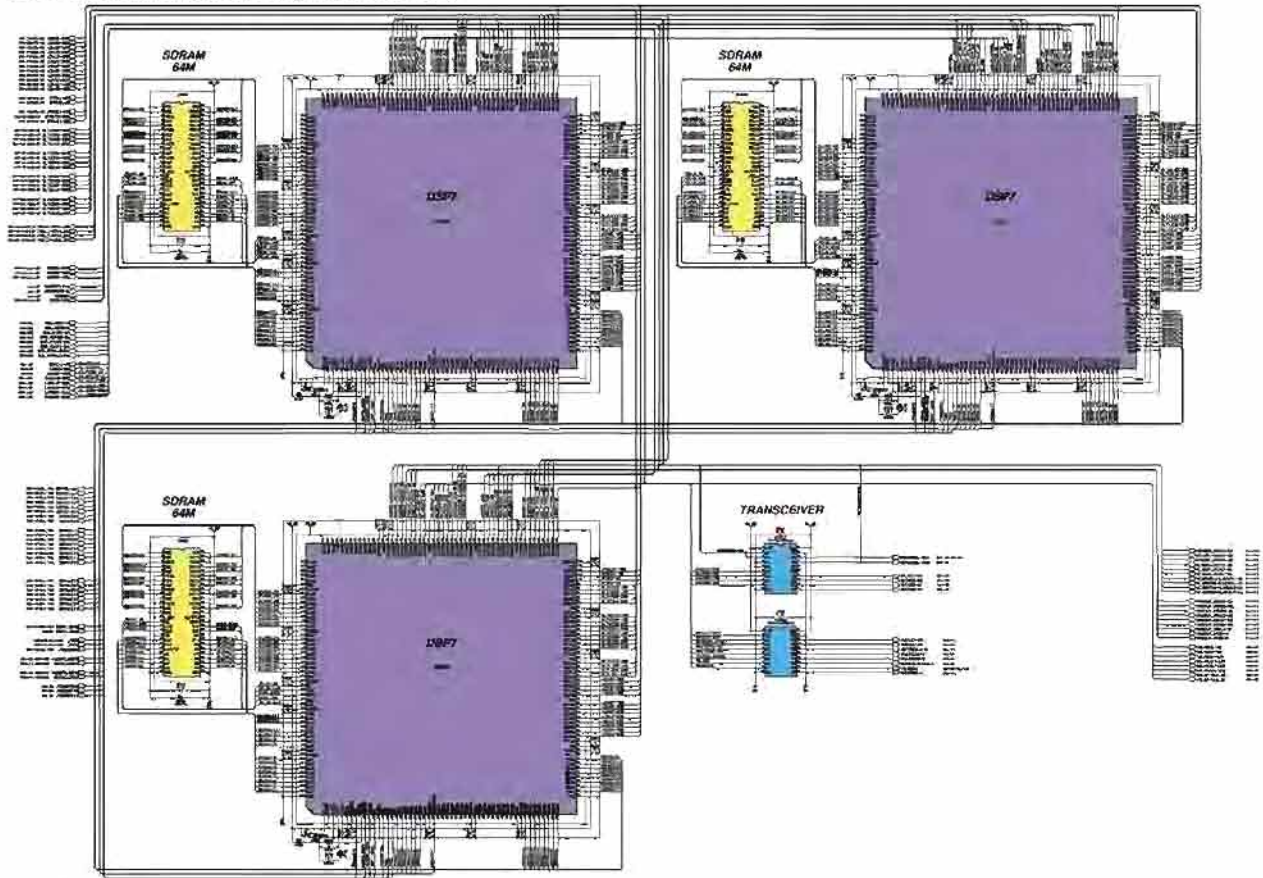
28CC1-8827233-8

■ DSP CIRCUIT DIAGRAM 009 (PM5D/PM5D-RH)

X W V U T S R O P O N M L K J I H G F E D C B

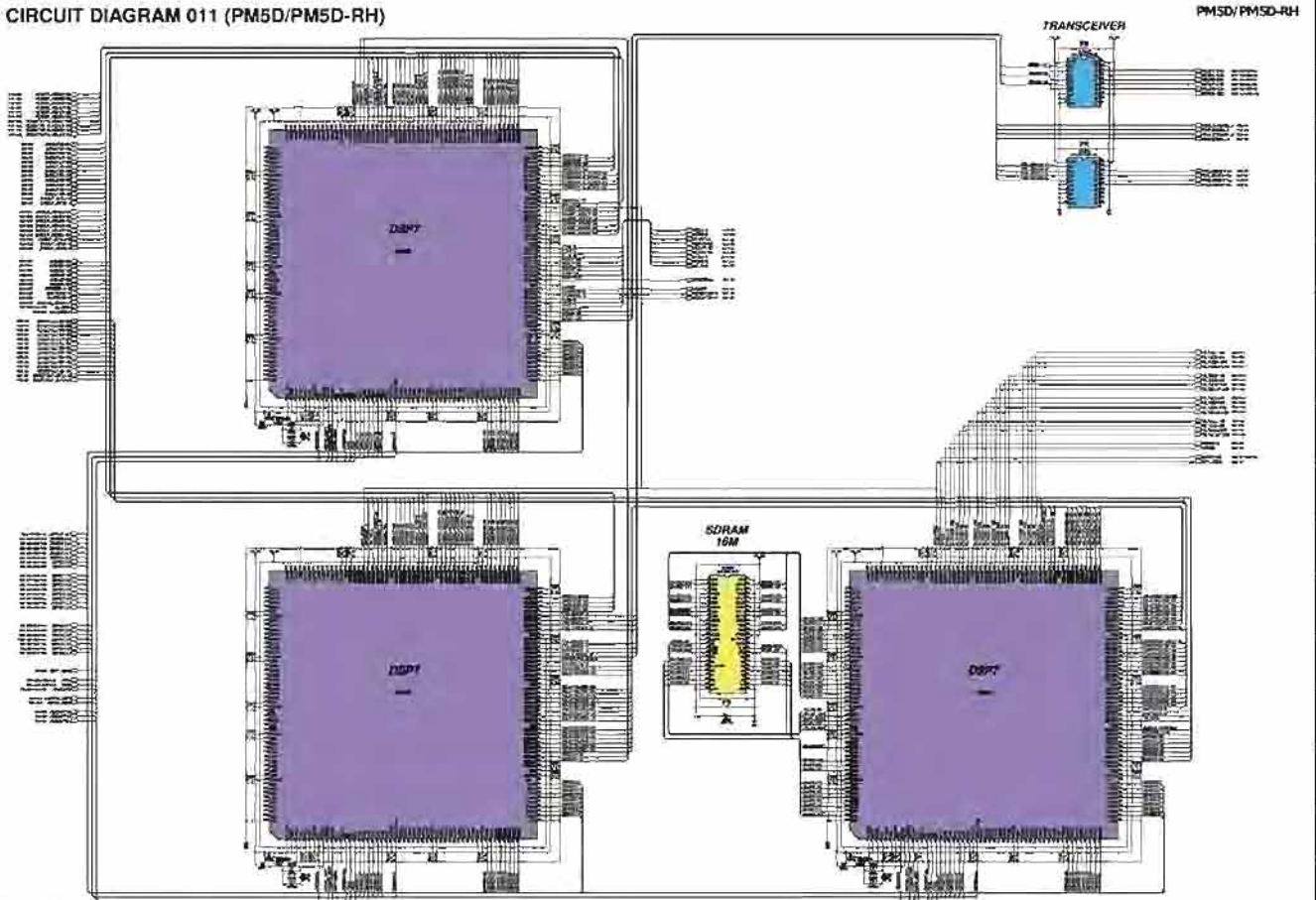
■ DSP CIRCUIT DIAGRAM 010 (PM5D/PM5D-RH)

PM5D/PM5D-RH



X W V U T S R Q P O N M L K J I H G F E D C B A

■ DSP CIRCUIT DIAGRAM 011 (PM5D/PM5D-RH)



28CC1-8827233-11

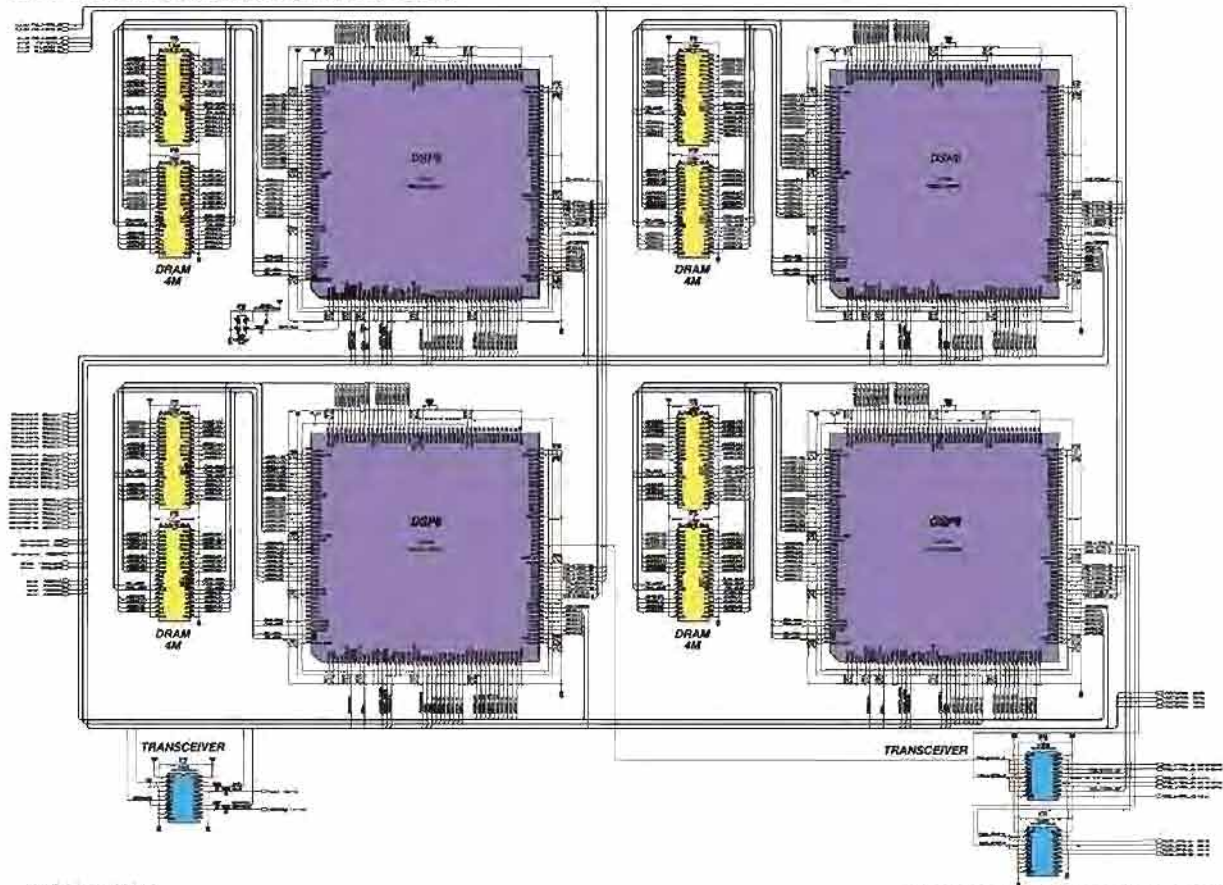
■ DSP CIRCUIT DIAGRAM 011 (PM5D/PM5D-RH)

09

W V U T S R Q P O N M L K J I H G F E D C B

■ DSP CIRCUIT DIAGRAM 012 (PM5D/PM5D-RH)

PM5D/PM5D-RH

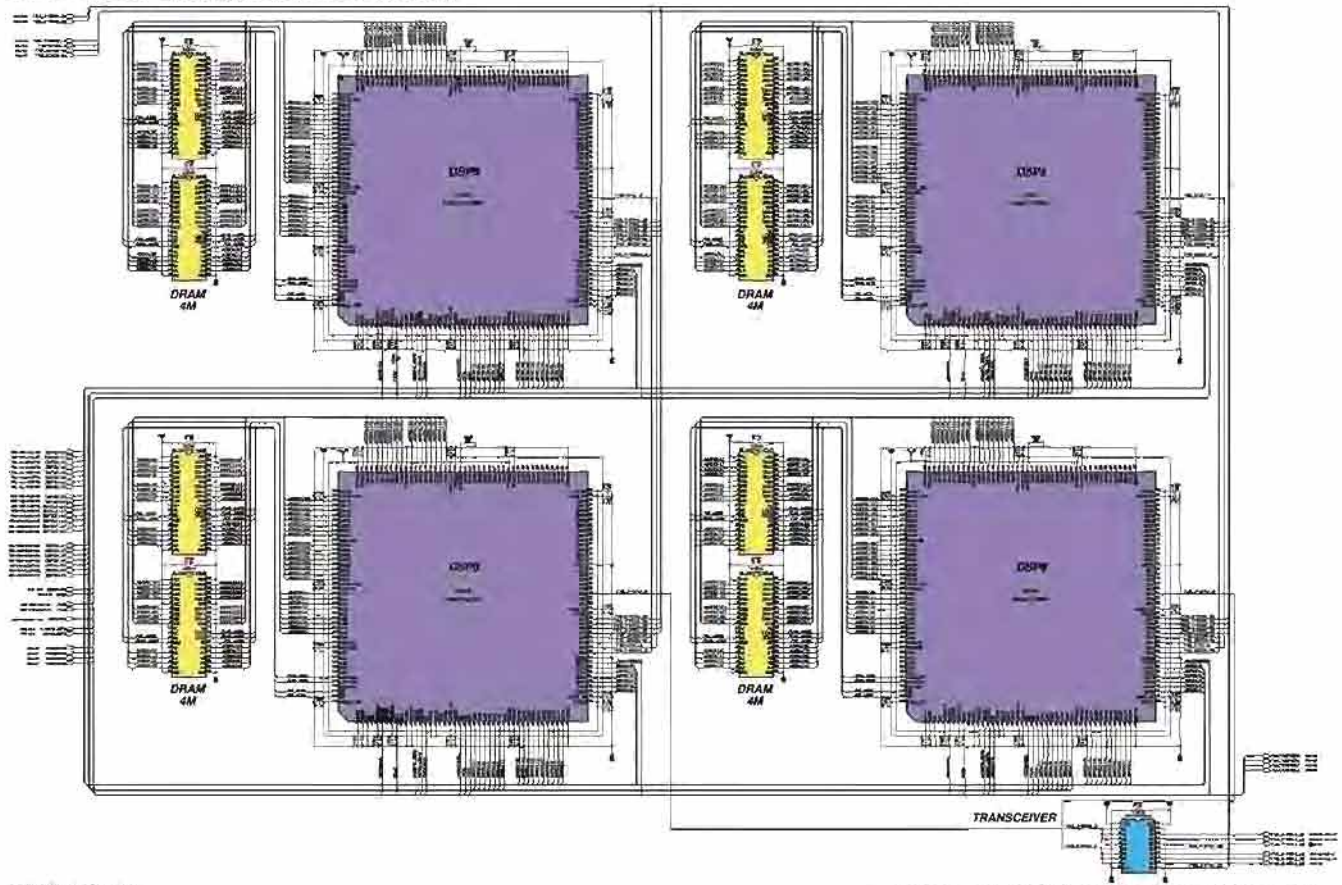


■ DSP CIRCUIT DIAGRAM 012 (PM5D/PM5D-RH)

W V U T S R Q P O N M L K J I H G F E D C B

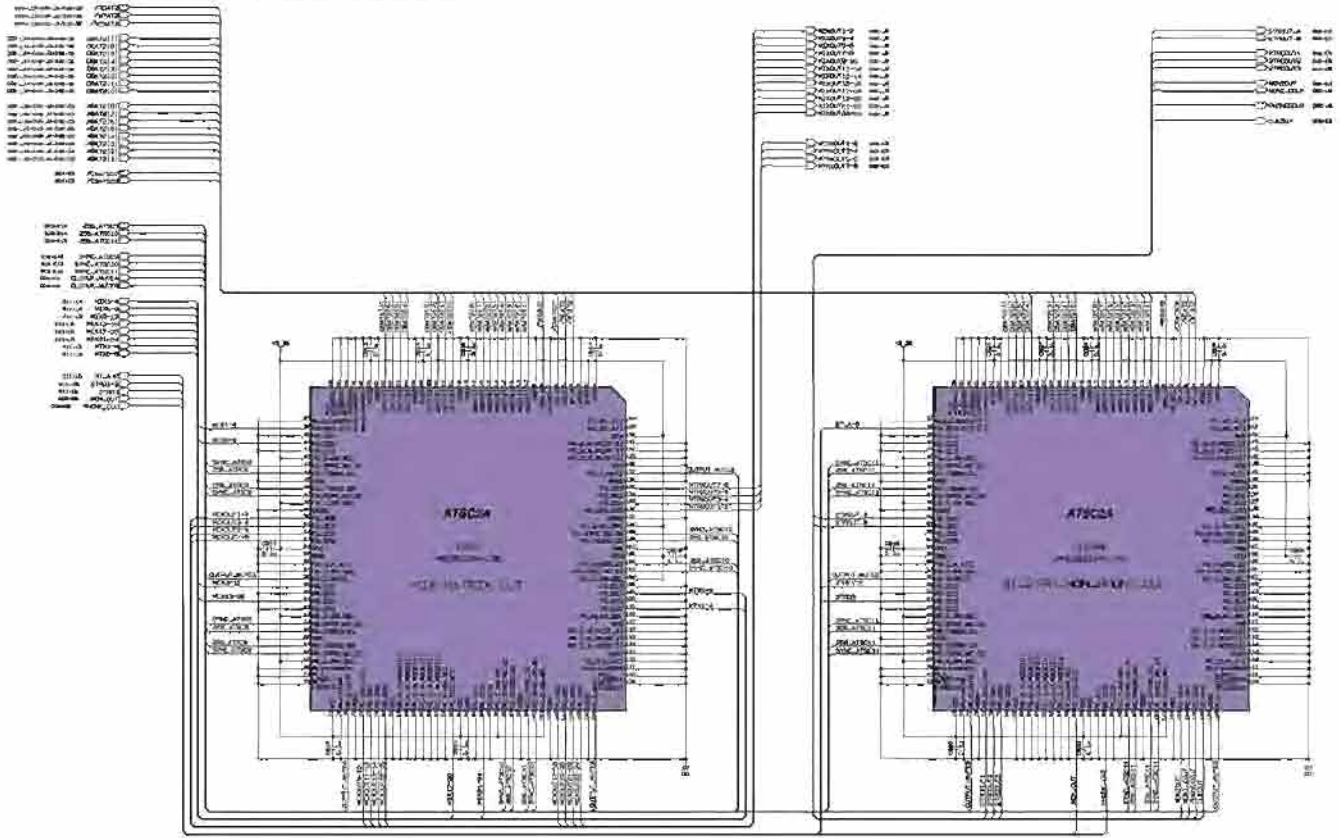
■ DSP CIRCUIT DIAGRAM 013 (PM5D/PM5D-RH)

PM5D/PM5D-RH



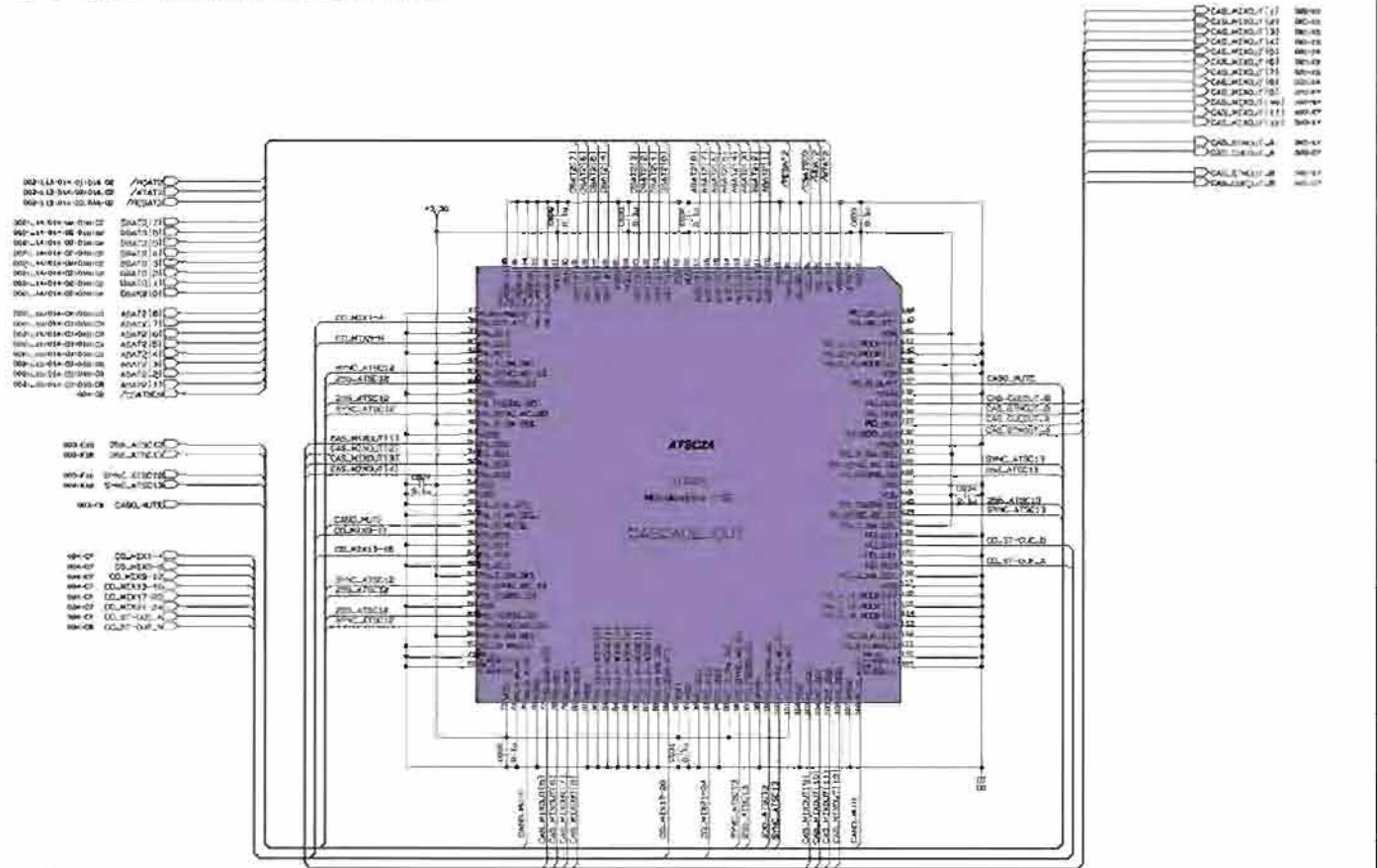
■ DSP CIRCUIT DIAGRAM 014 (PM5D/PM5D-RH)

PM5D/PM5D-RH



■ DSP CIRCUIT DIAGRAM 015 (PM5D/PM5D-RH)

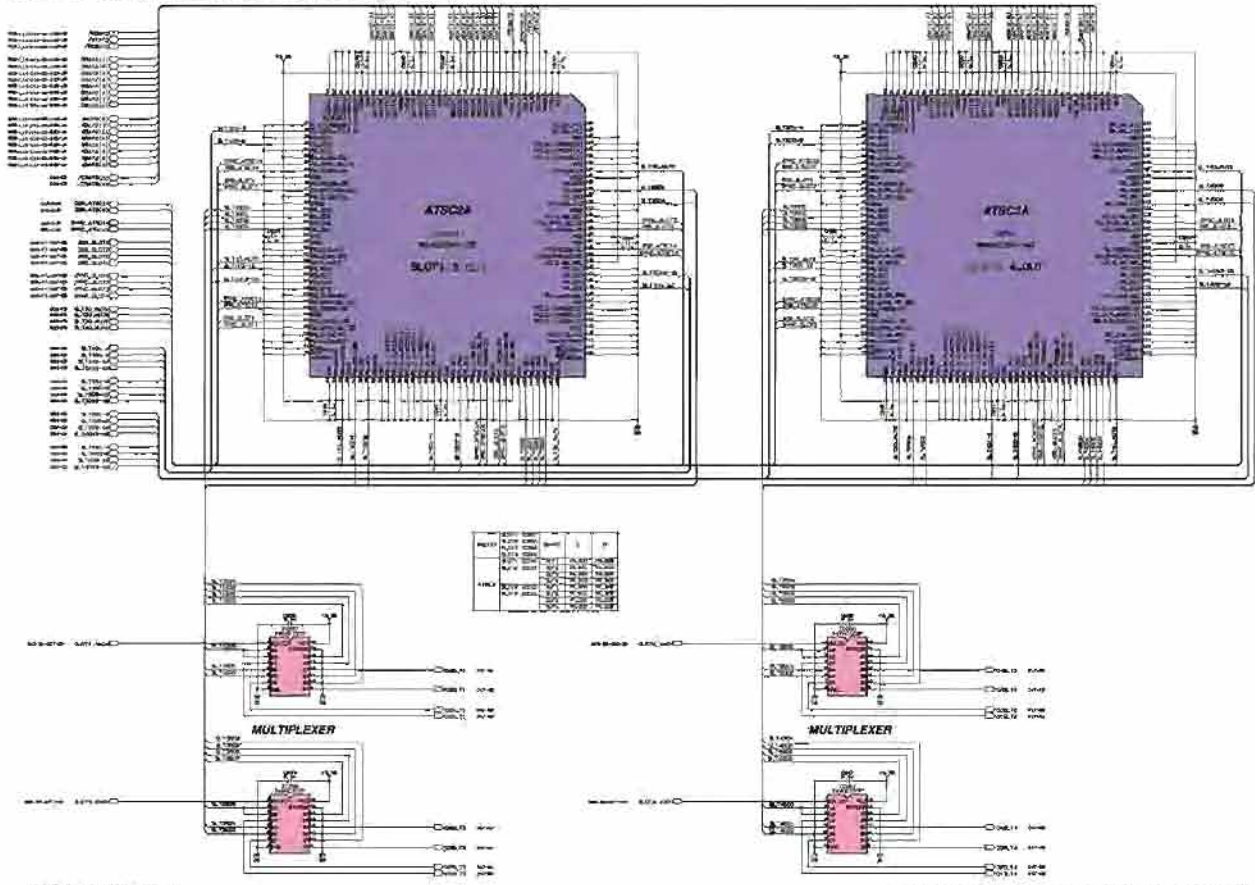
PM5D/PM5D-RH



Q P O N M L K J I H G F E D C B A

■ DSP CIRCUIT DIAGRAM 016 (PM5D/PM5D-RH)

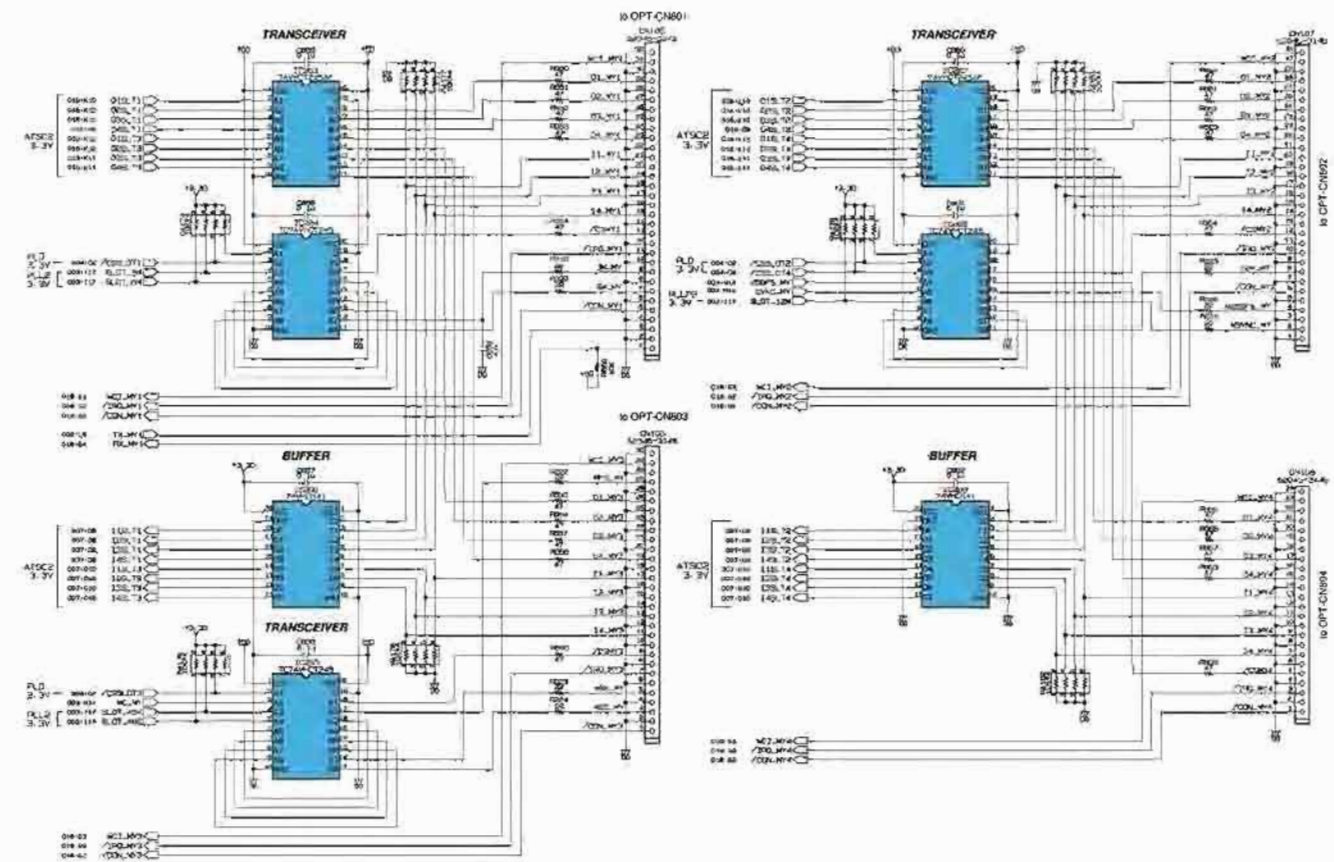
PM5D/PM5D-RH



■ DSP CIRCUIT DIAGRAM 016 (PM5D/PM5D-RH)

■ DSP CIRCUIT DIAGRAM 017 (PM5D/PM5D-RH)

PM5D/PM5D-RH

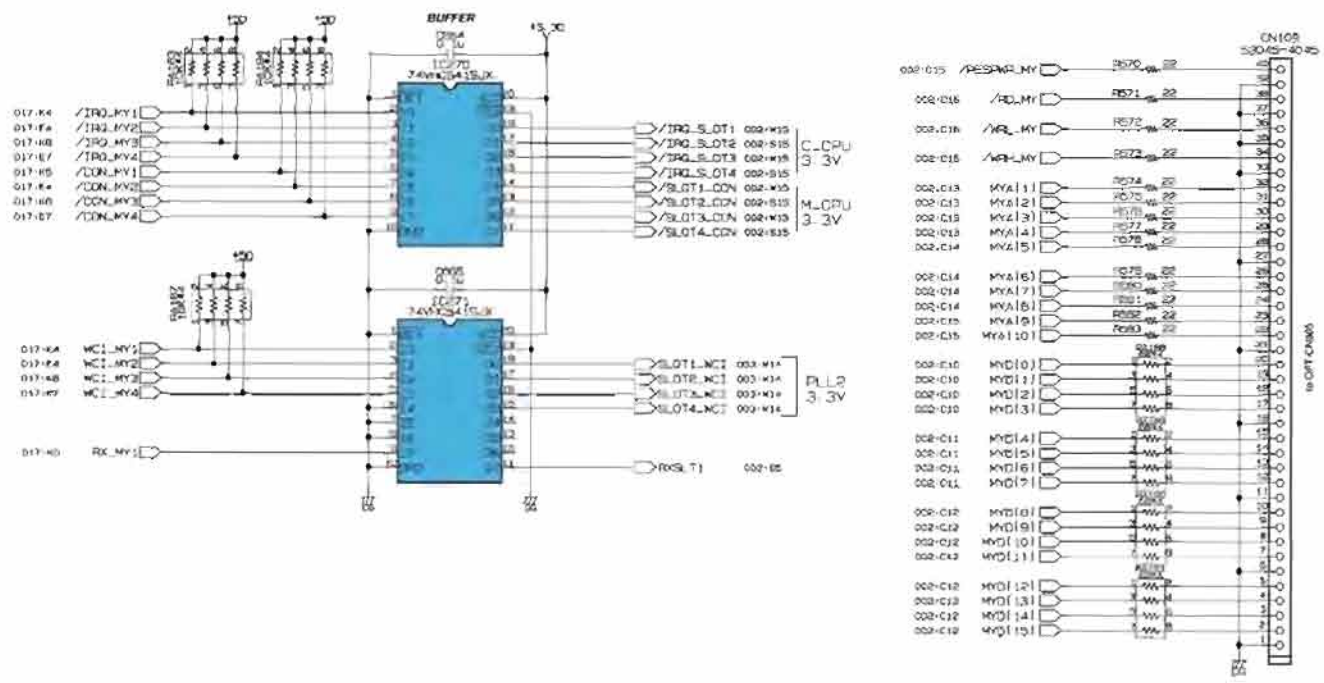


28CC1-8827233-17

■ DSP CIRCUIT DIAGRAM 017 (PM5D/PM5D-RH)

■ DSP CIRCUIT DIAGRAM 018 (PM5D/PM5D-RH)

PM5D/PM5D-RH



■ DSP CIRCUIT DIAGRAM 018 (PM5D/PM5D-RH)

K

J

I

H

G

F

E

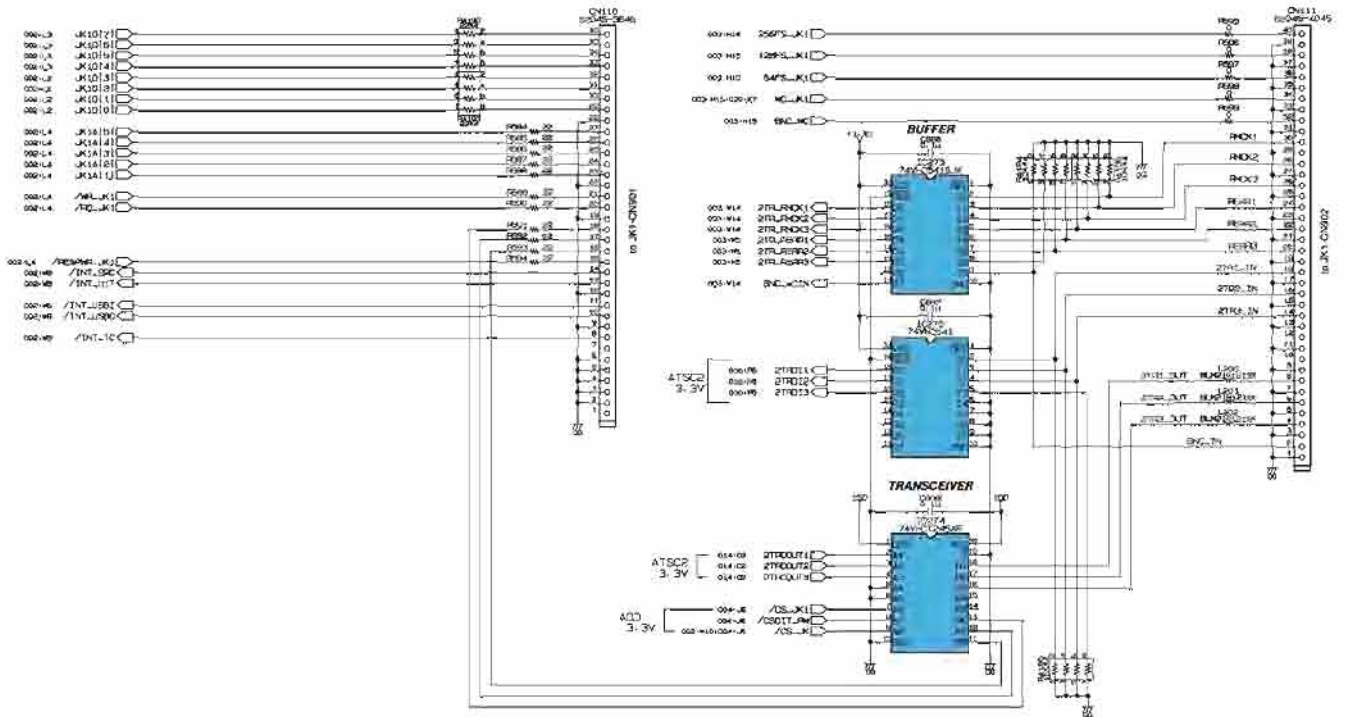
D

C

B

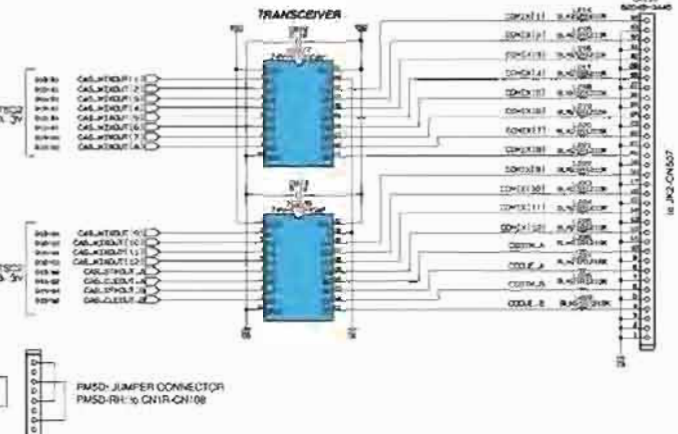
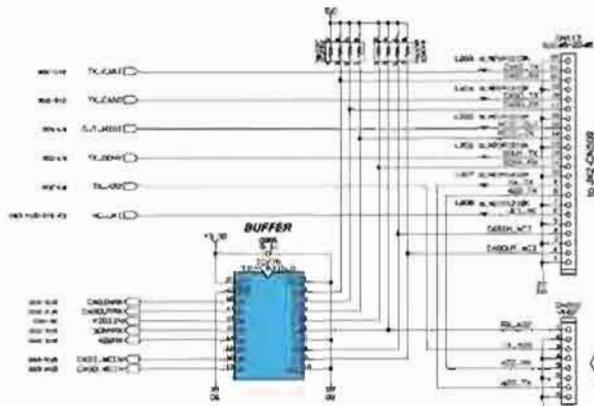
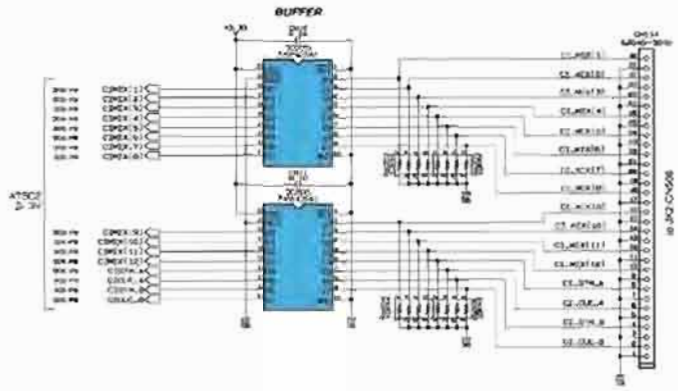
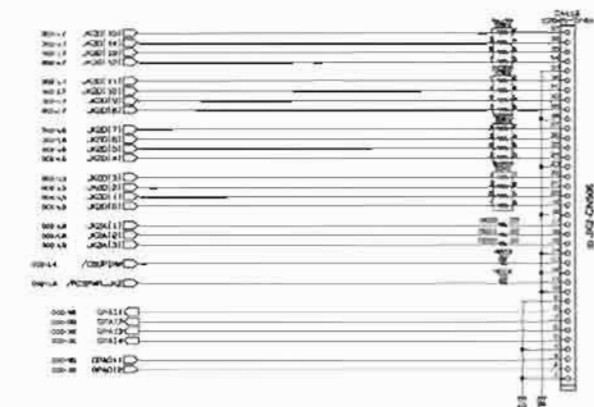
■ DSP CIRCUIT DIAGRAM 019 (PM5D/PM5D-RH)

PM5D/PM5D-RH



■ DSP CIRCUIT DIAGRAM 020 (PM5D/PM5D-RH)

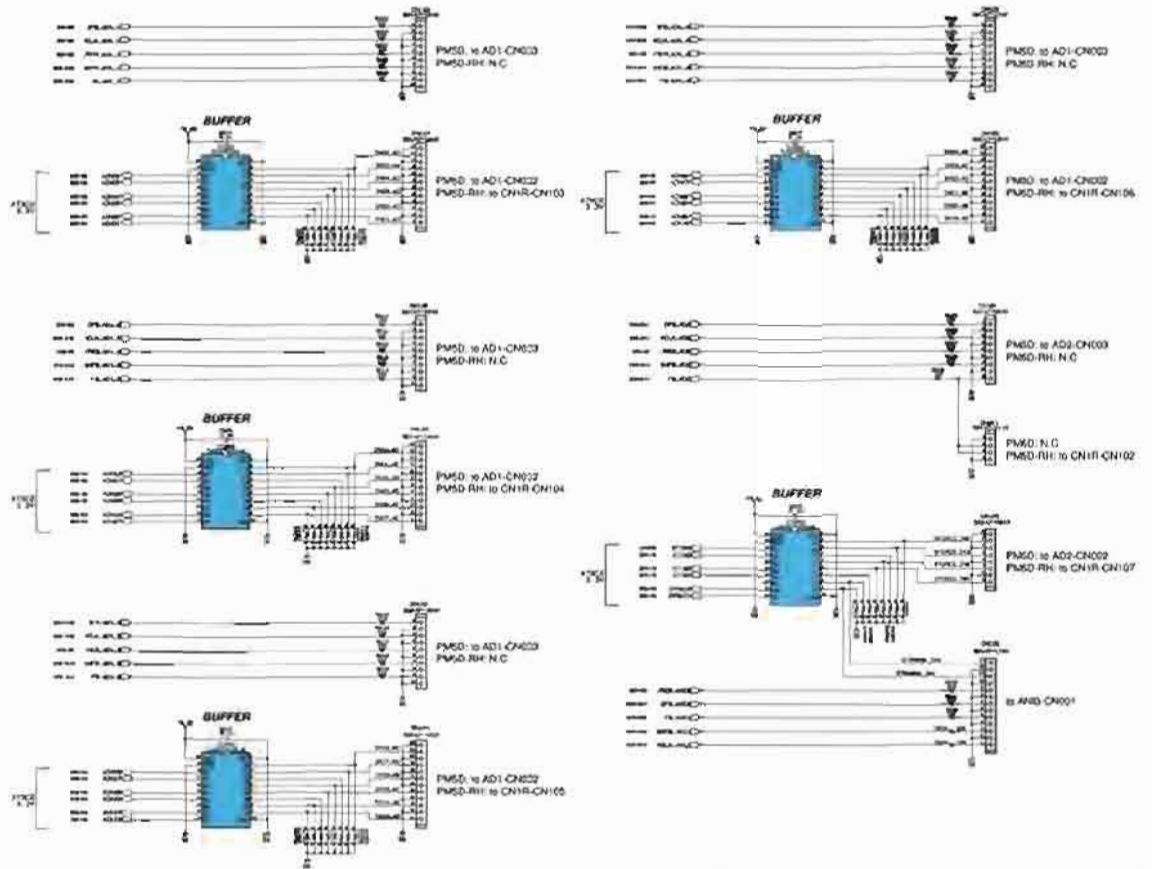
PM5D/PM5D-RH



PM5D-JUMPER CONNECTOR
PM5D-RH to CN1/CN108

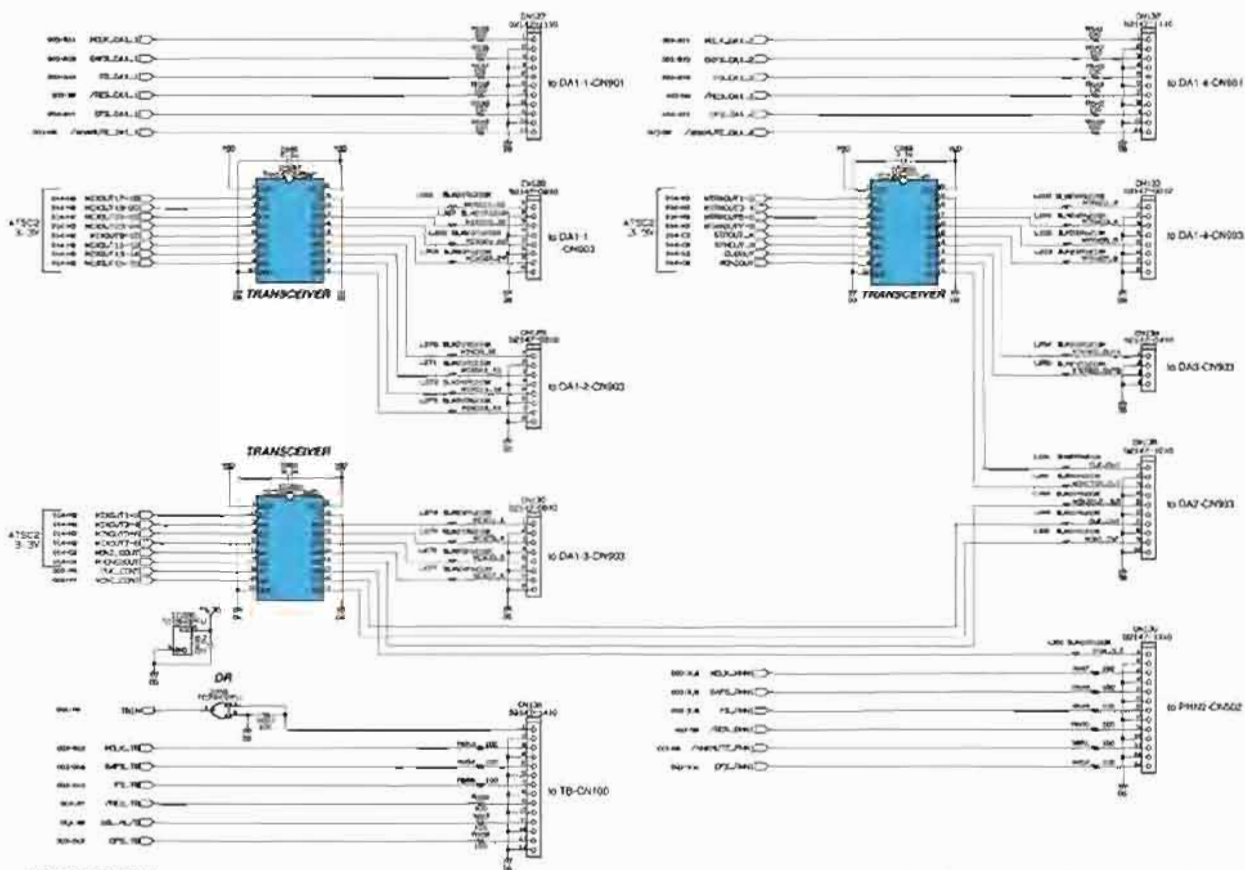
■ DSP CIRCUIT DIAGRAM 021 (PM5D/PM5D-RH)

PM5D/PM5D-RH



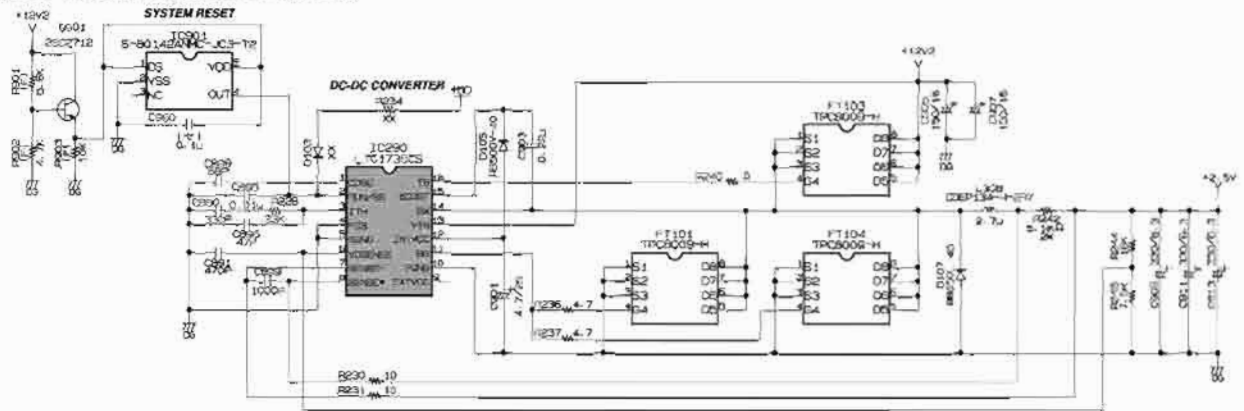
■ DSP CIRCUIT DIAGRAM 022 (PM5D/PM5D-RH)

PM5D/PM5D-RH

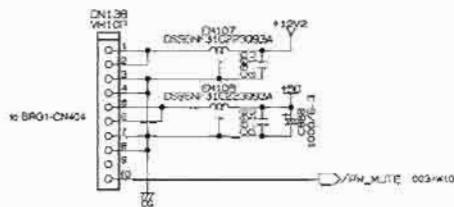
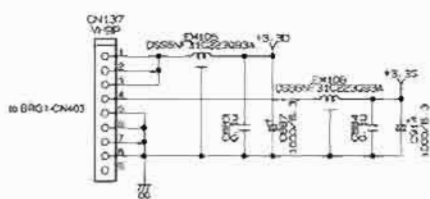


■ DSP CIRCUIT DIAGRAM 023 (PM5D/PM5D-RH)

PM5D/PM5D-RH

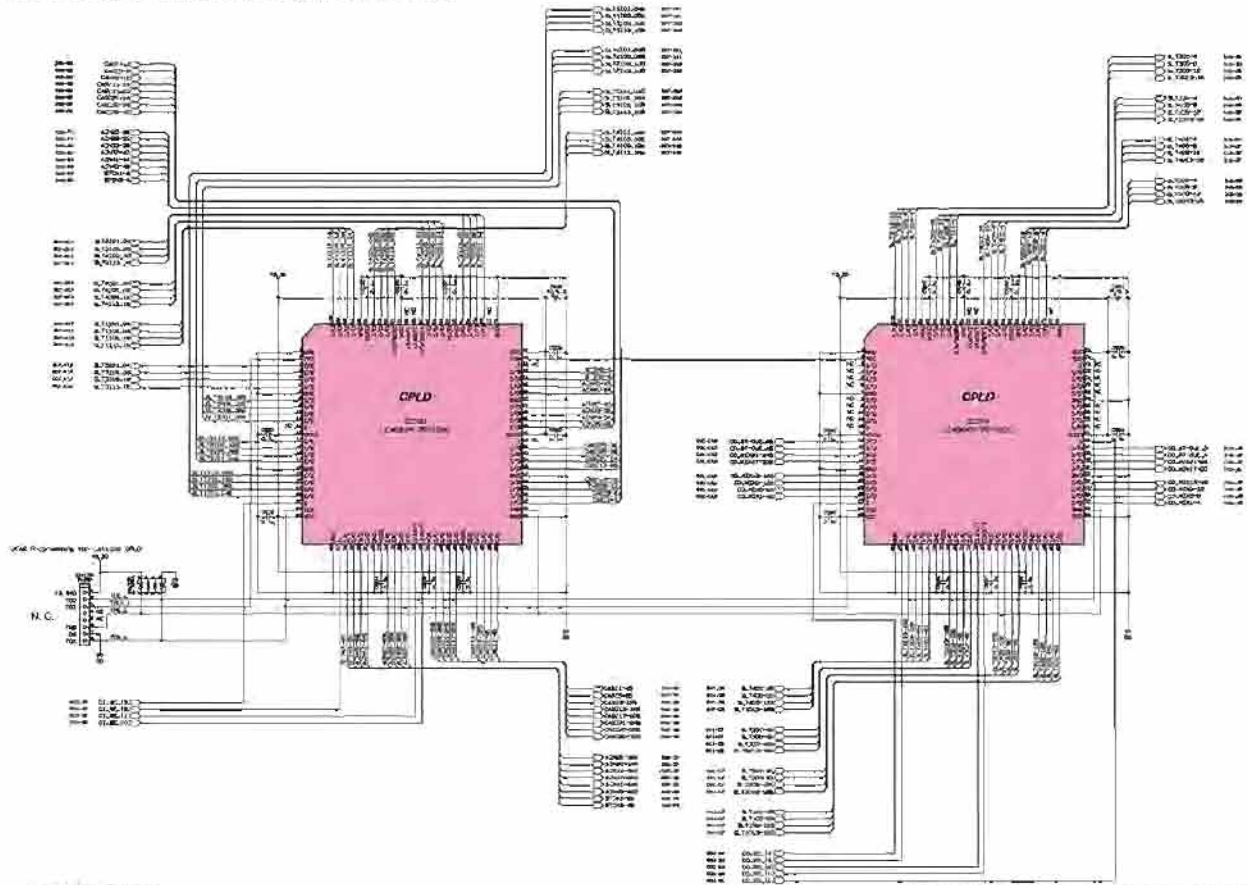


12 → 2.5V DC-DC CONVERTER



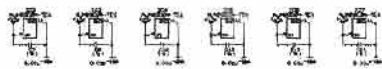
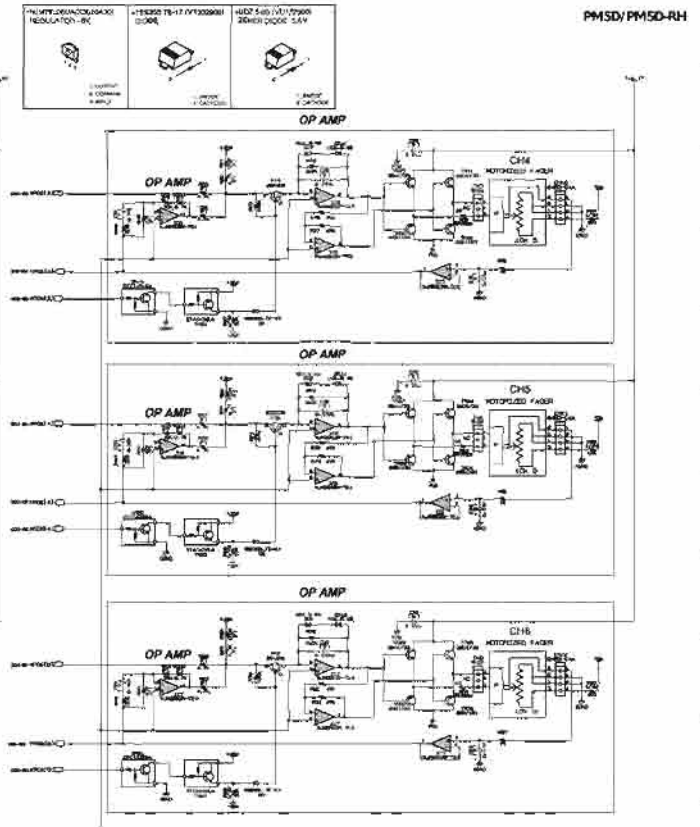
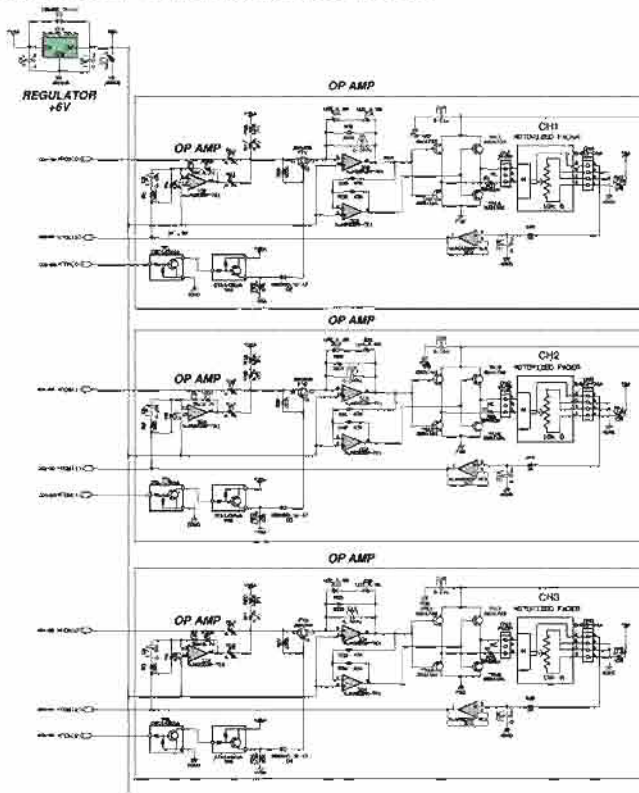
■ DSP CIRCUIT DIAGRAM 024 (PM5D/PM5D-RH)

PM5D/PM5D-RH



Q P O N M L K J I H G F E D C B A

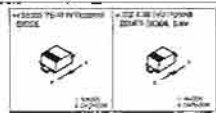
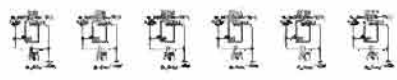
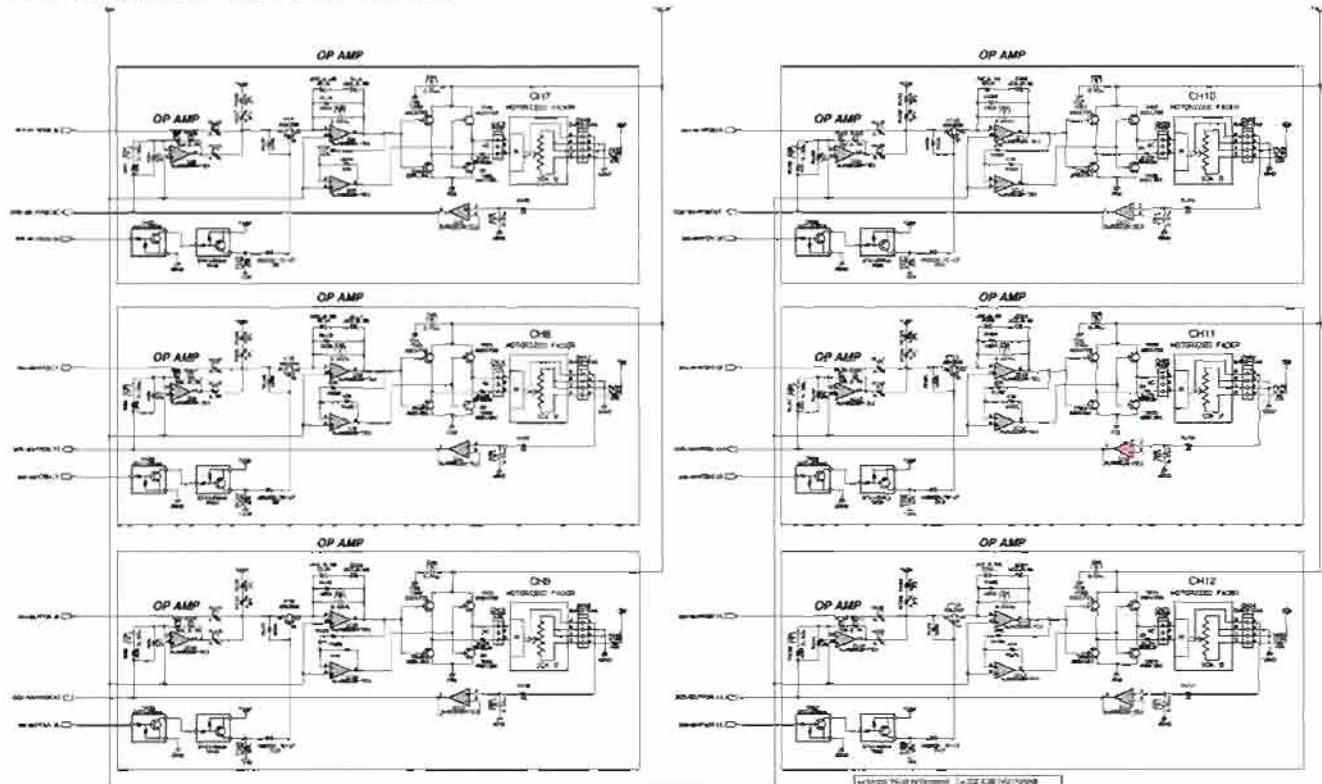
■ FDA CIRCUIT DIAGRAM 002 (PM5D/PM5D-RH)



1
2
3
4
5
6
7
8
9
10
11
12

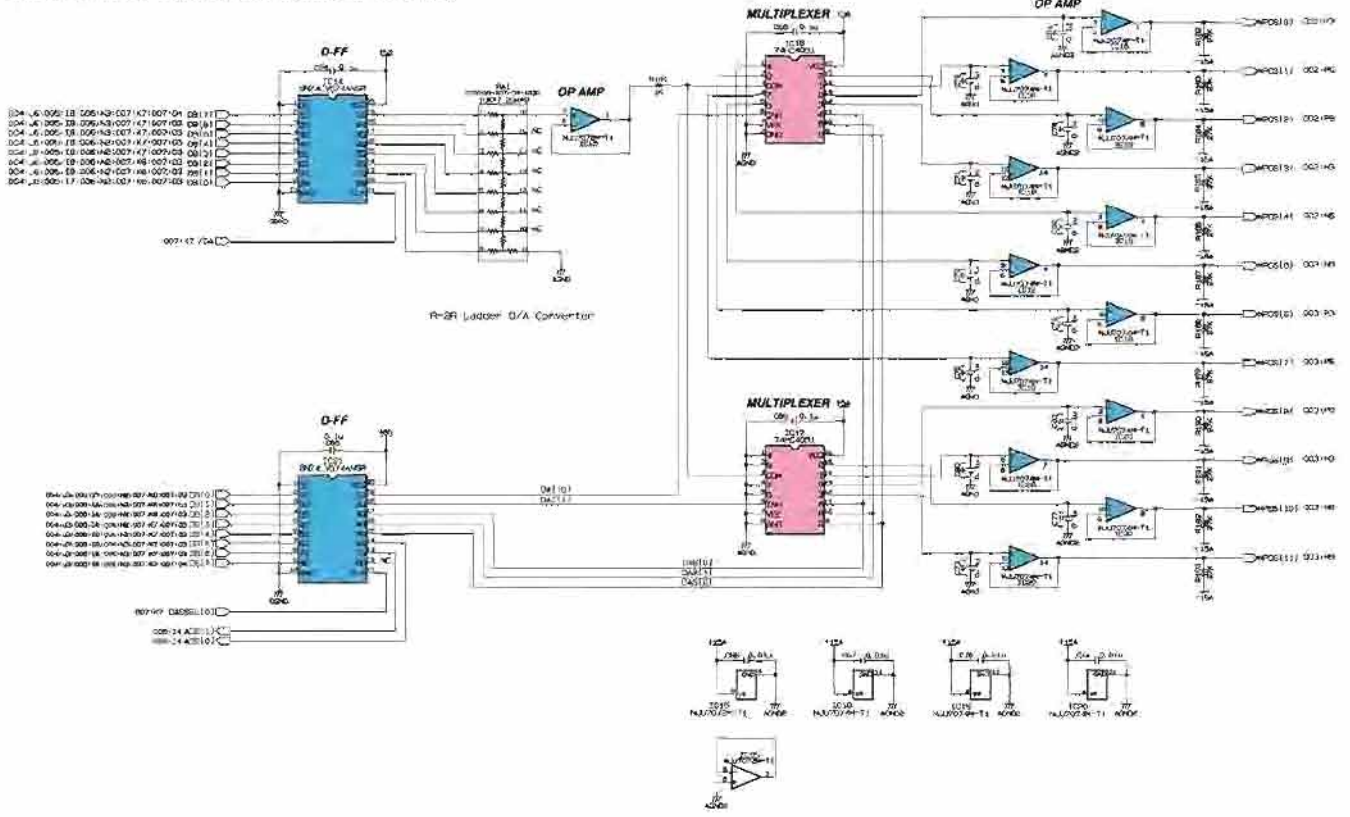
■ FDA CIRCUIT DIAGRAM 003 (PM5D/PM5D-RH)

PM5D/PM5D-RH



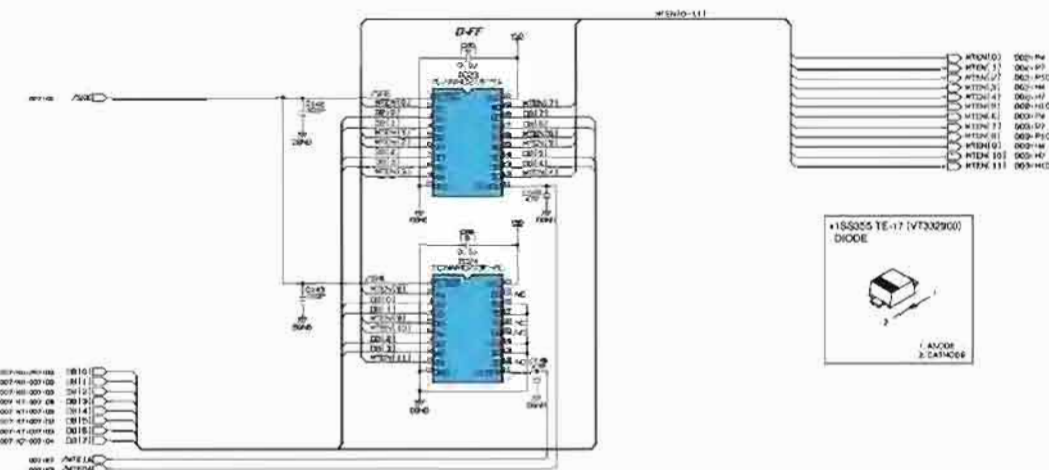
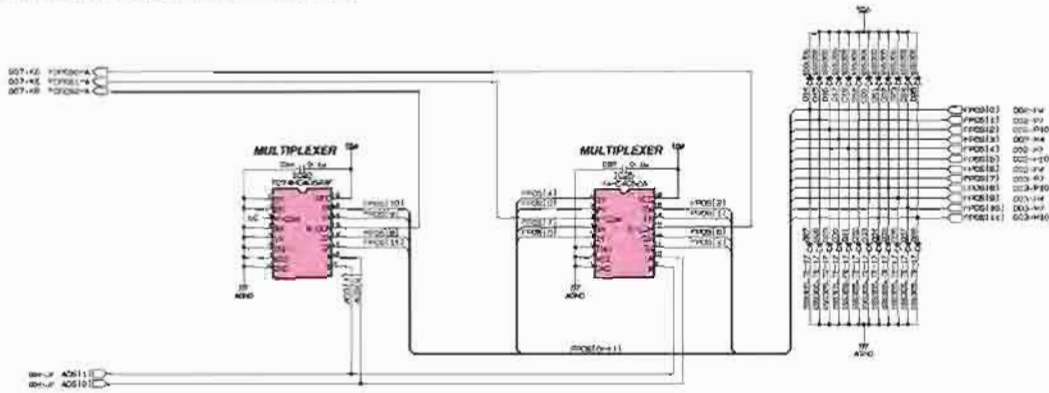
■ FDA CIRCUIT DIAGRAM 004 (PM5D/PM5D-RH)

PM5D/PM5D-RH



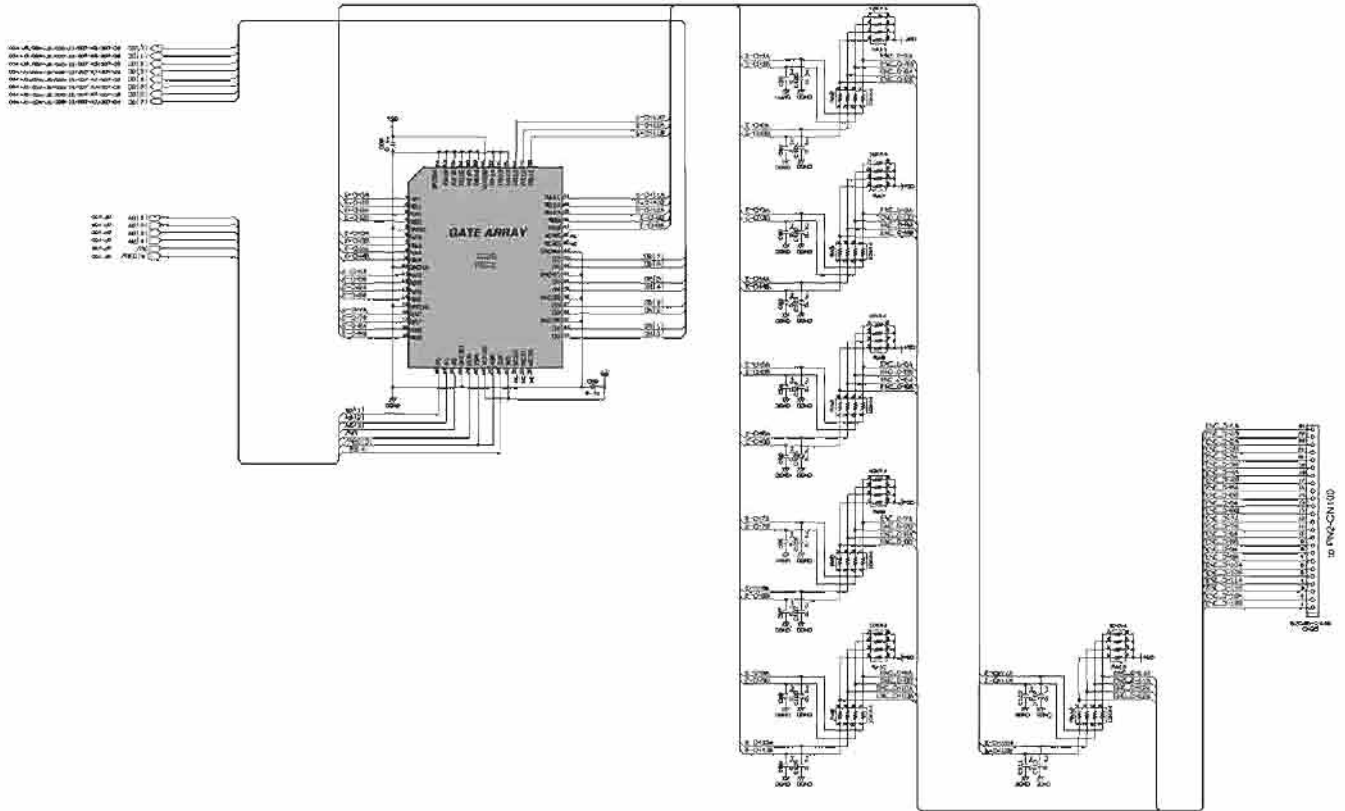
FDA CIRCUIT DIAGRAM 005 (PM5D/PM5D-RH)

PM5D/PM5D-RH



■ FDA CIRCUIT DIAGRAM 006 (PM5D/PM5D-RH)

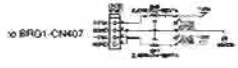
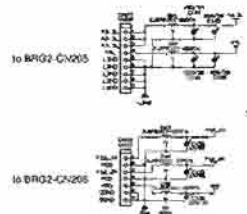
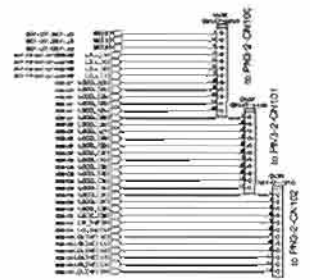
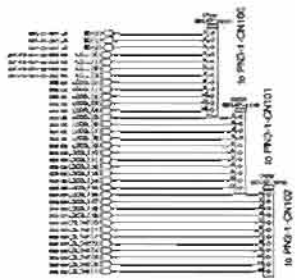
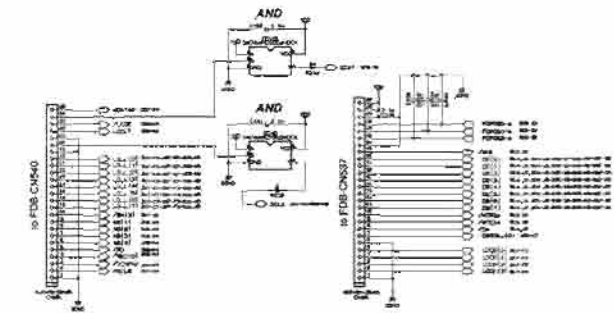
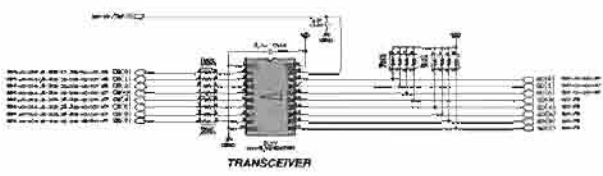
PM5D/PM5D-RH



1
2
3
4
5
6
7
8
9
10

■ FDA CIRCUIT DIAGRAM 007 (PM5D/PM5D-RH)

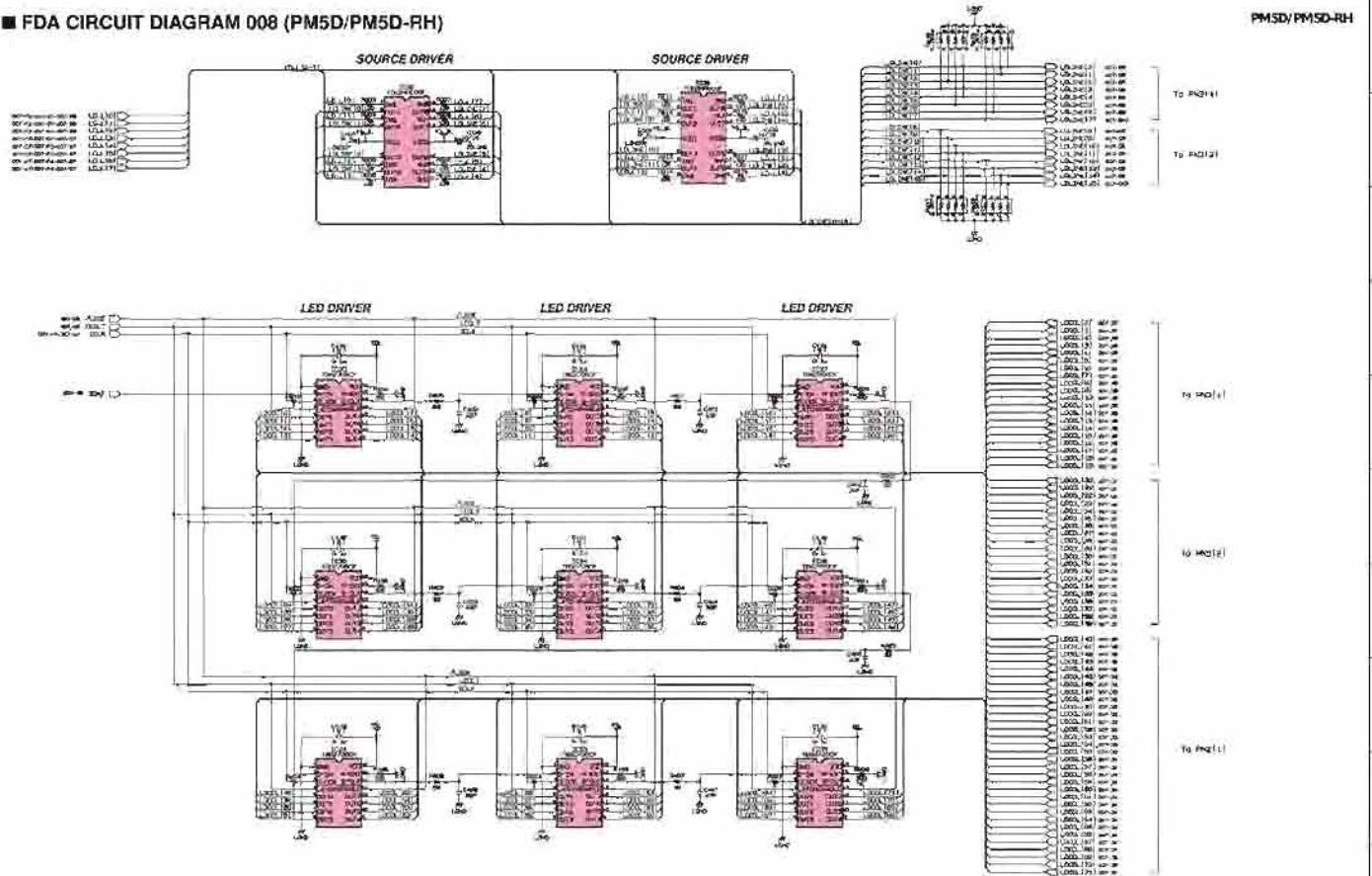
PM5D/PM5D-RH



Switch scan data input (Channel Module CH1-12)
 LED data output (Channel Module CH1-12)
 FDA I/F
 Power input
 ■ FDA CIRCUIT DIAGRAM 007 (PM5D/PM5D-RH)

O N M L K J I H G F E D C B

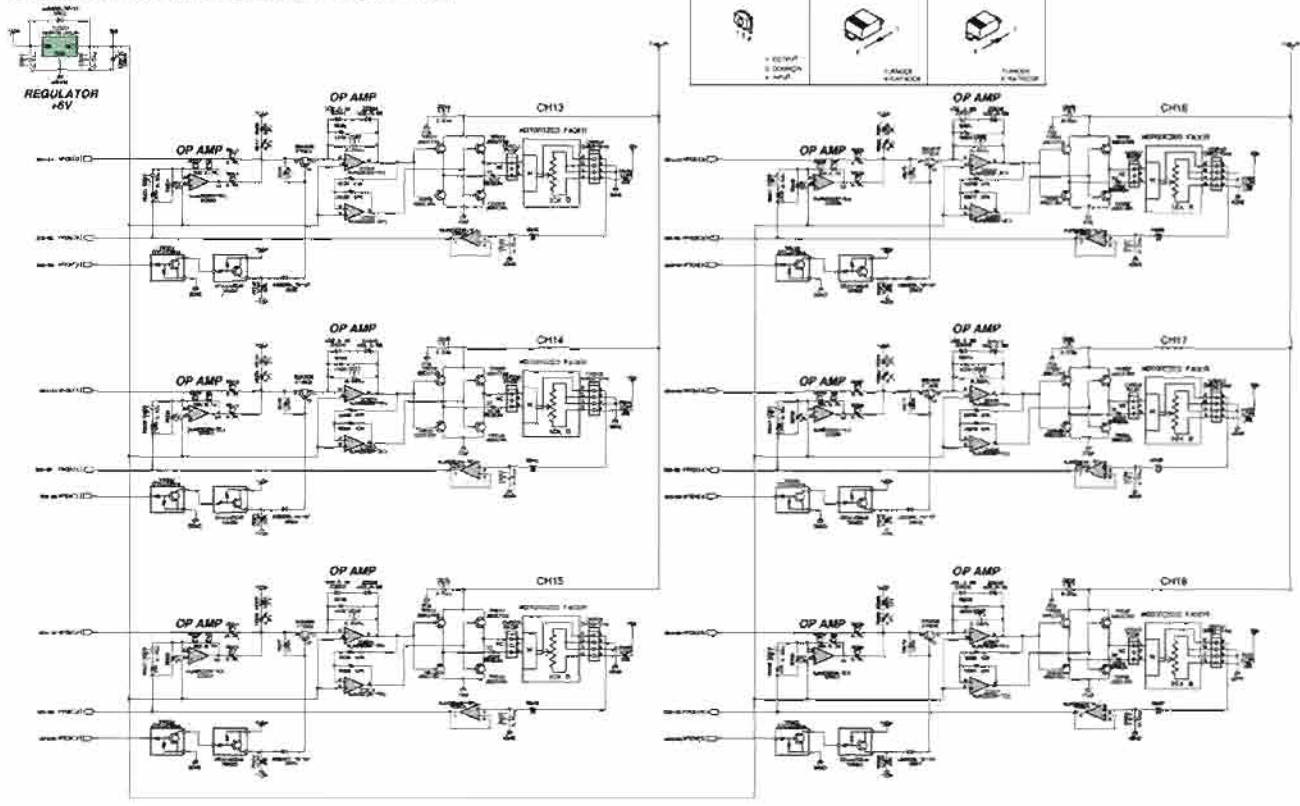
■ FDA CIRCUIT DIAGRAM 008 (PM5D/PM5D-RH)



Q P O N M L K J I H G F E D C B A

■ FDB CIRCUIT DIAGRAM 002 (PM5D/PM5D-RH)

PM5D/PM5D-RH

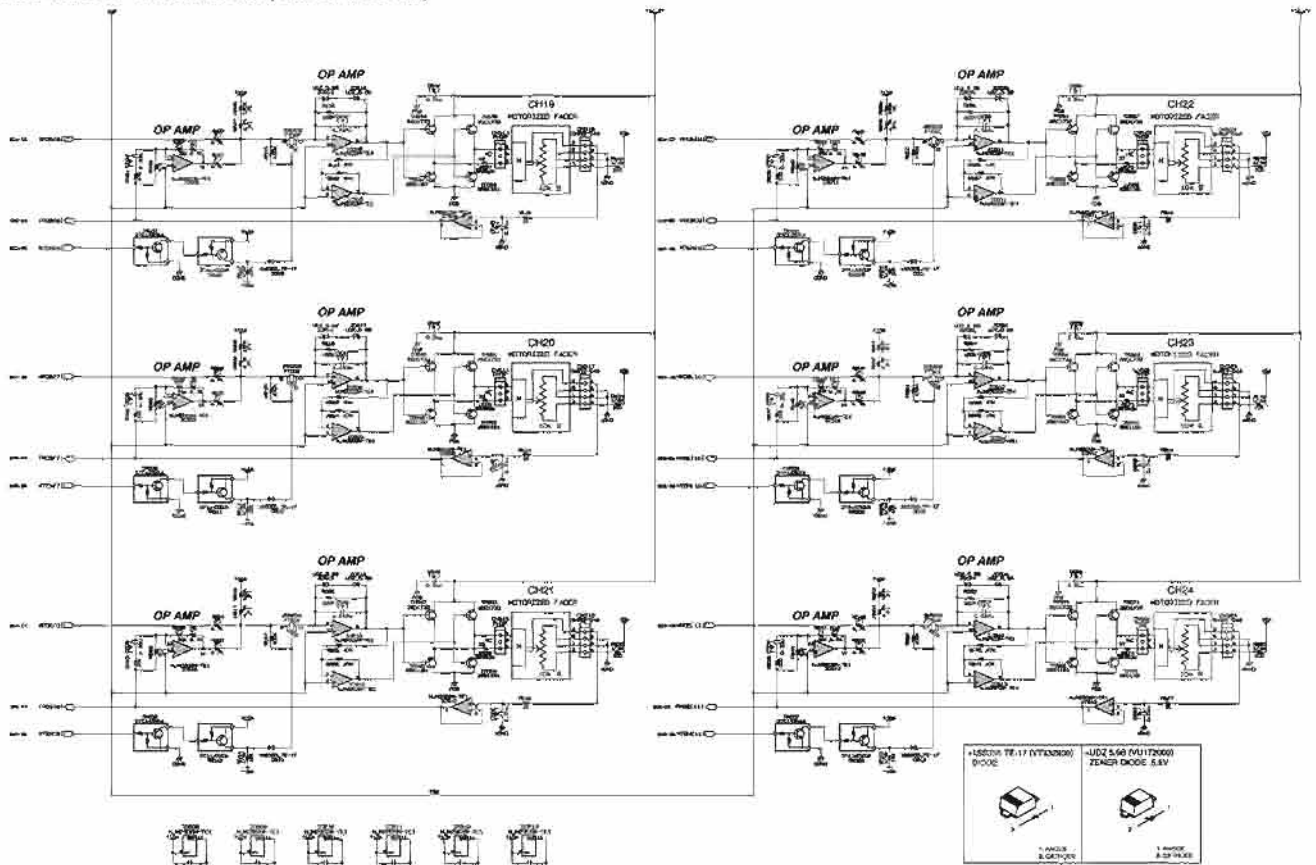


<p>MAXIMUM CURRENTS REGULATOR +5V</p>	<p>BASES TE 17 (V) 32903 CODE</p>	<p>102 3.0V 1011/2500 220R 03002 3.0V</p>
---	---------------------------------------	---



■ FDB CIRCUIT DIAGRAM 003 (PM5D/PM5D-RH)

PM5D/PM5D-RH



28CC1-8830202-3

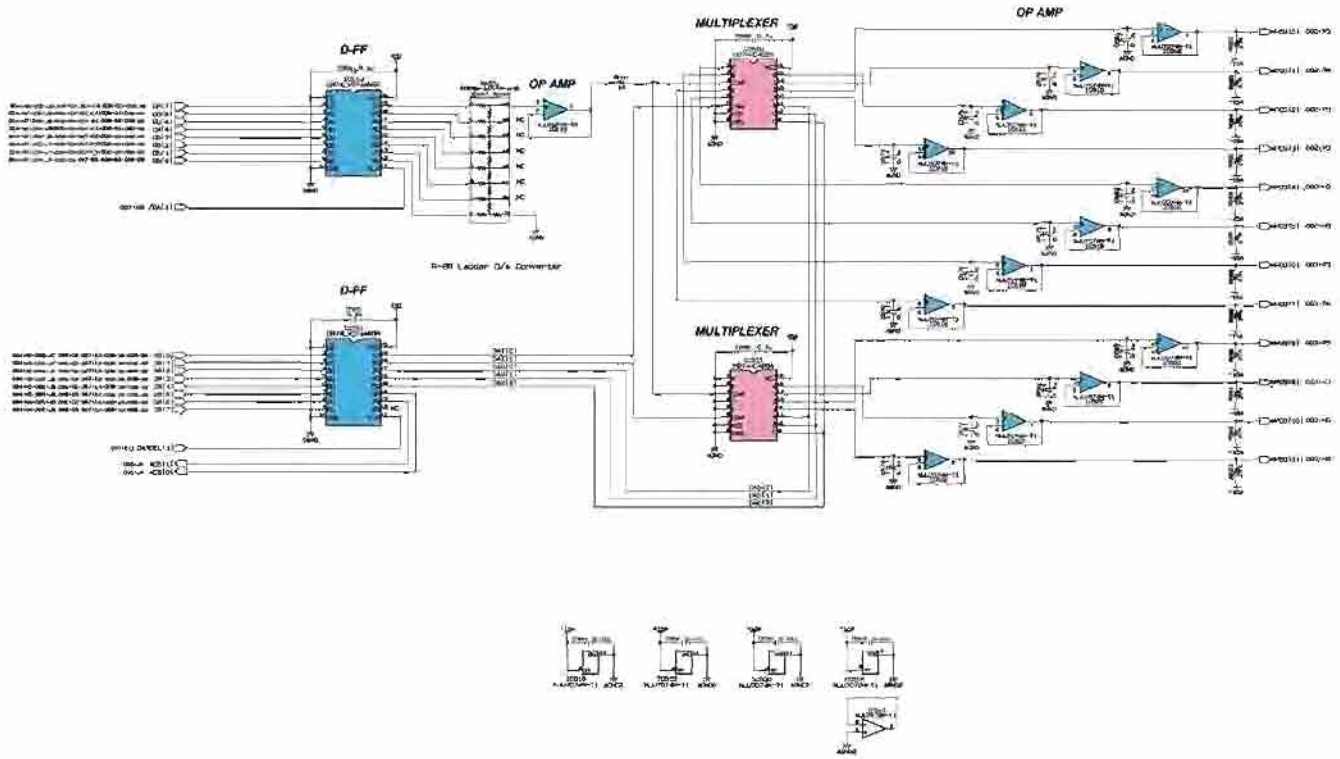
■ FDB CIRCUIT DIAGRAM 003 (PM5D/PM5D-RH)

Fader motor drive

2
3
4
5
6
7
8
9
10
11
12

■ FDB CIRCUIT DIAGRAM 004 (PM5D/PM5D-RH)

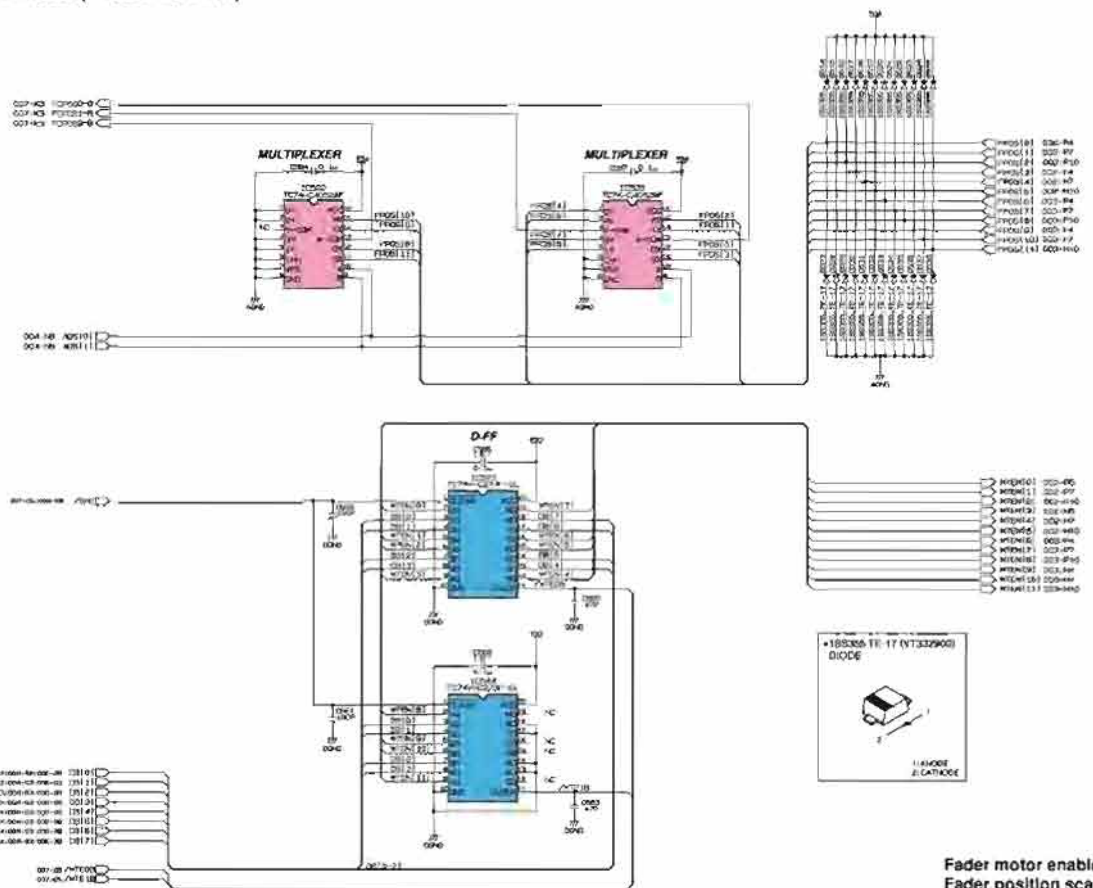
PM5D/PM5D-RH



L K J I H G F E D C B

■ FDB CIRCUIT DIAGRAM 005 (PM5D/PM5D-RH)

PM5D/PM5D-RH



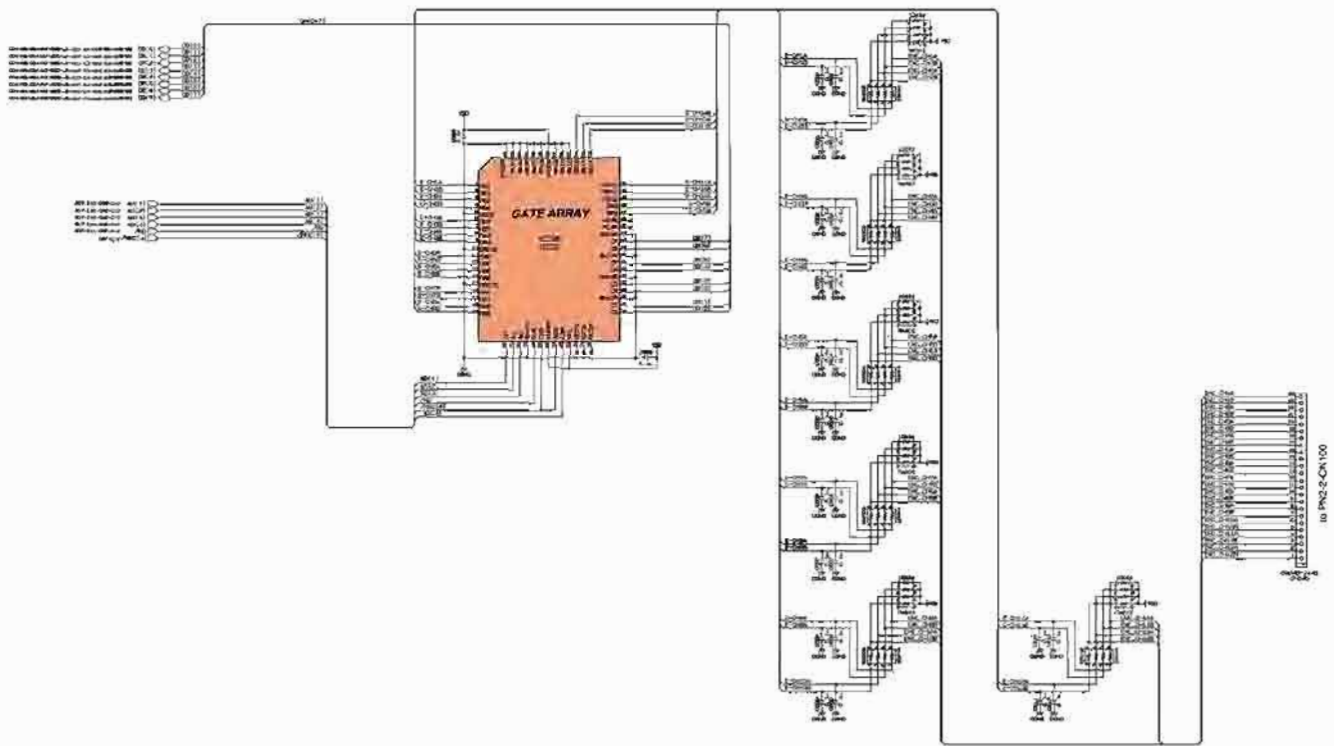
28CC1-6830202-5

■ FDB CIRCUIT DIAGRAM 005 (PM5D/PM5D-RH)

Fader motor enable
Fader position scan

■ FDB CIRCUIT DIAGRAM 006 (PM5D/PM5D-RH)

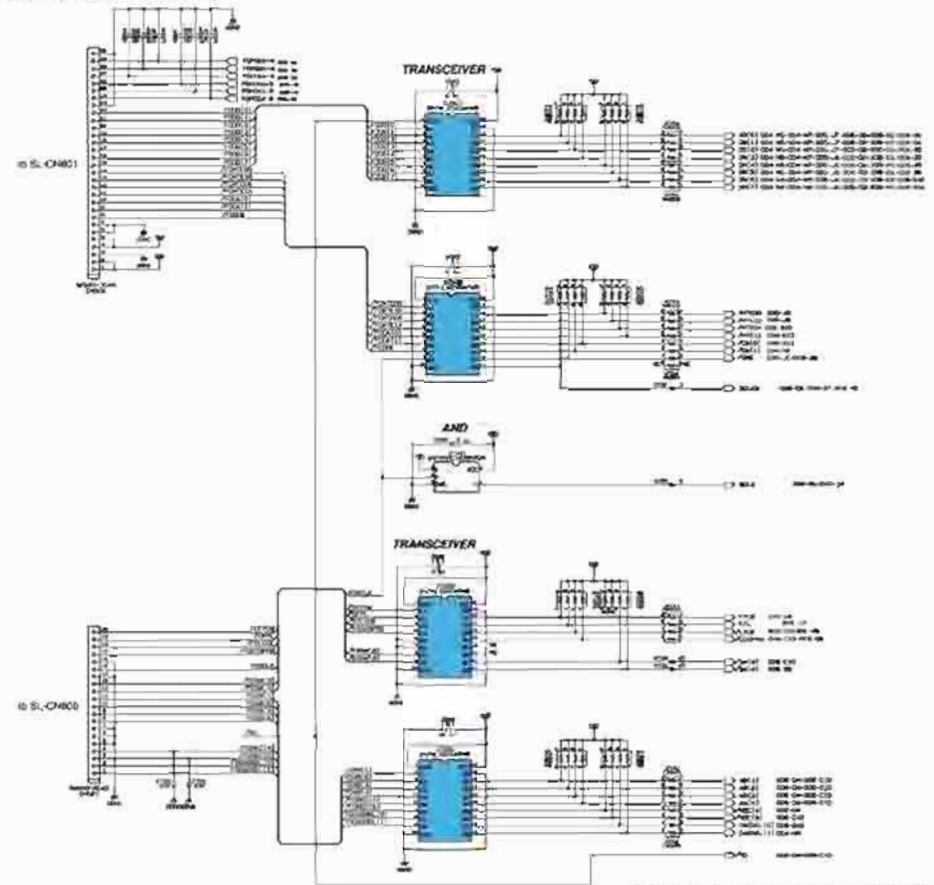
PM5D/PM5D-RH



L X J I H G F E D C

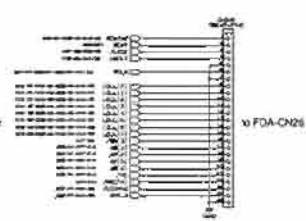
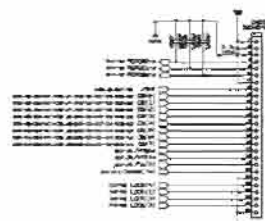
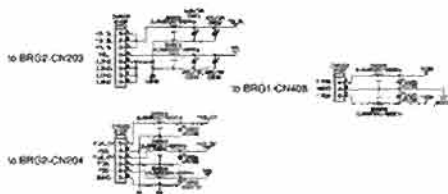
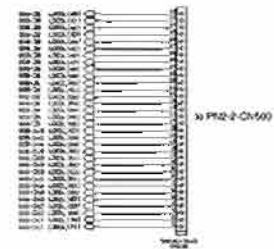
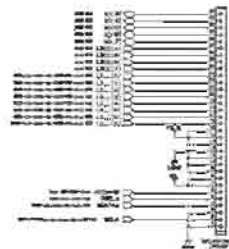
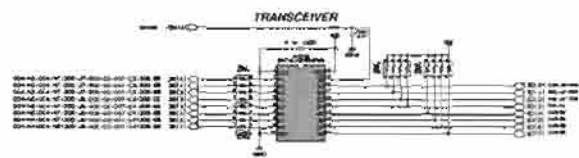
■ FDB CIRCUIT DIAGRAM 007 (PM5D/PM5D-RH)

PM5D/PM5D-RH



■ FDB CIRCUIT DIAGRAM 008 (PM5D/PM5D-RH)

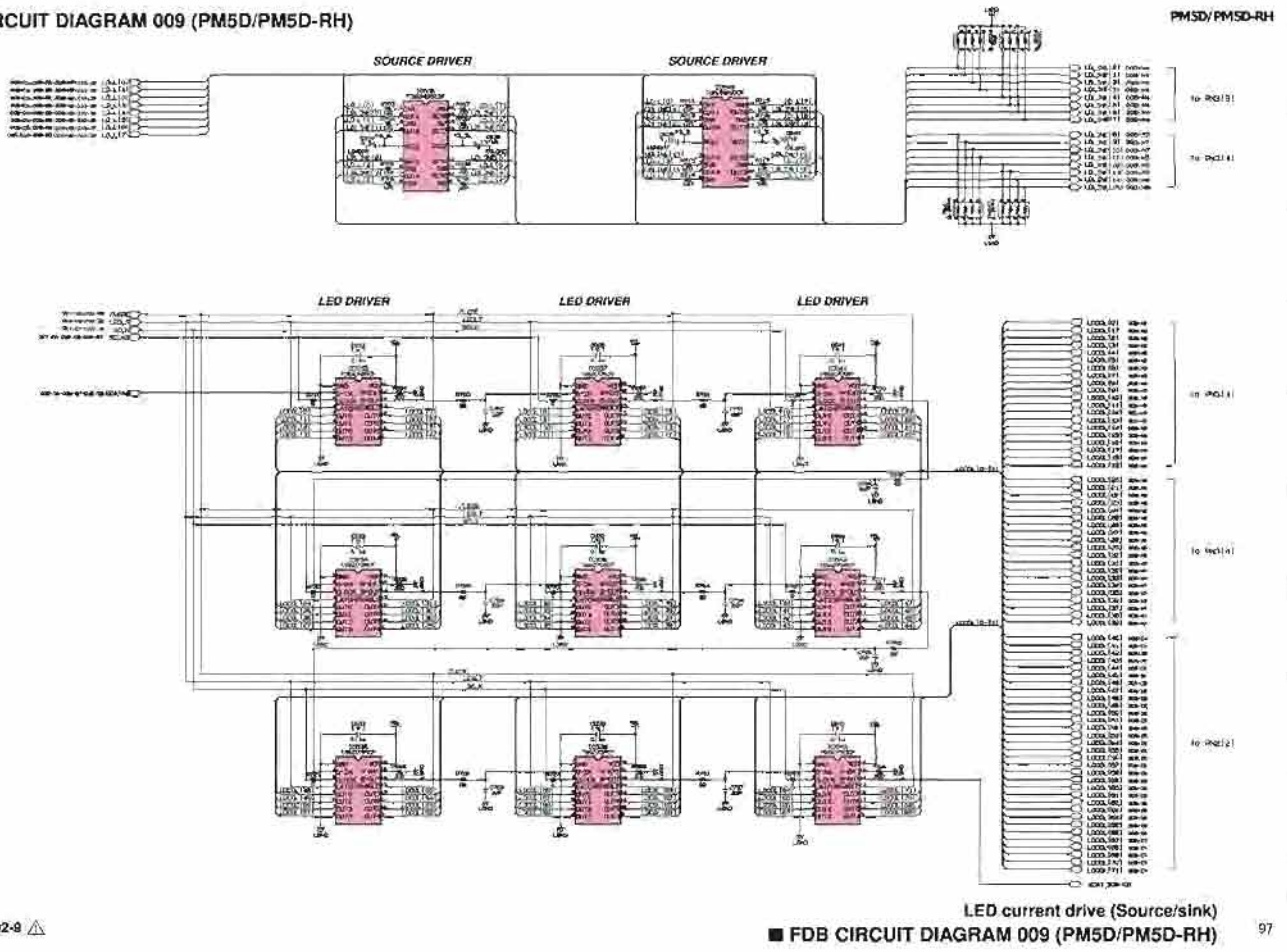
PM5D/PM5D-RH



Switch scan data input (Channel Module CH13-24)
 LED data output (Channel Module CH13-24)
 FDB I/F
 Power Input
 ■ FDB CIRCUIT DIAGRAM 008 (PM5D/PM5D-RH)

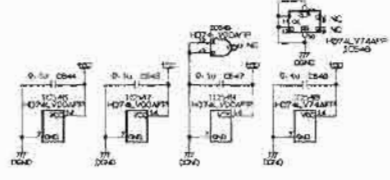
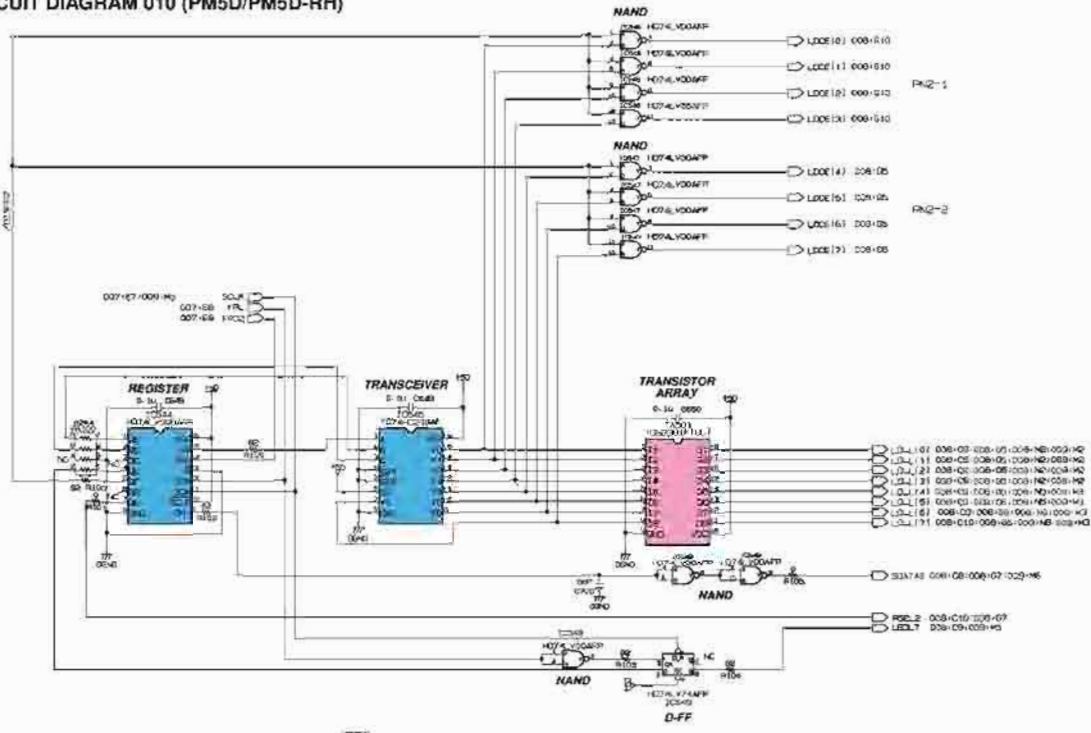
O N M L K J I H G F E D C B

■ FDB CIRCUIT DIAGRAM 009 (PM5D/PM5D-RH)



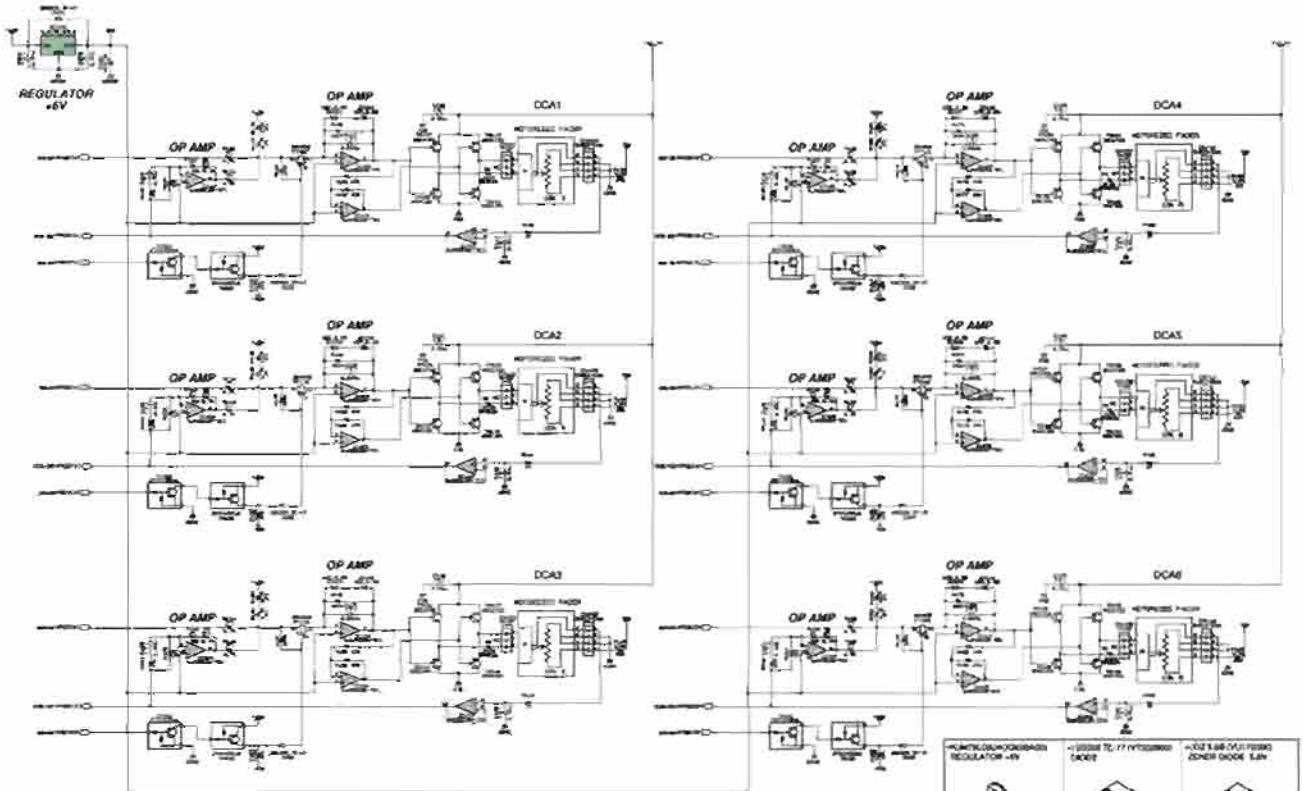
■ FDB CIRCUIT DIAGRAM 010 (PM5D/PM5D-RH)

PM5D/PM5D-RH



■ FDC CIRCUIT DIAGRAM 002 (PM5D/PM5D-RH)

PM5D/PM5D-RH



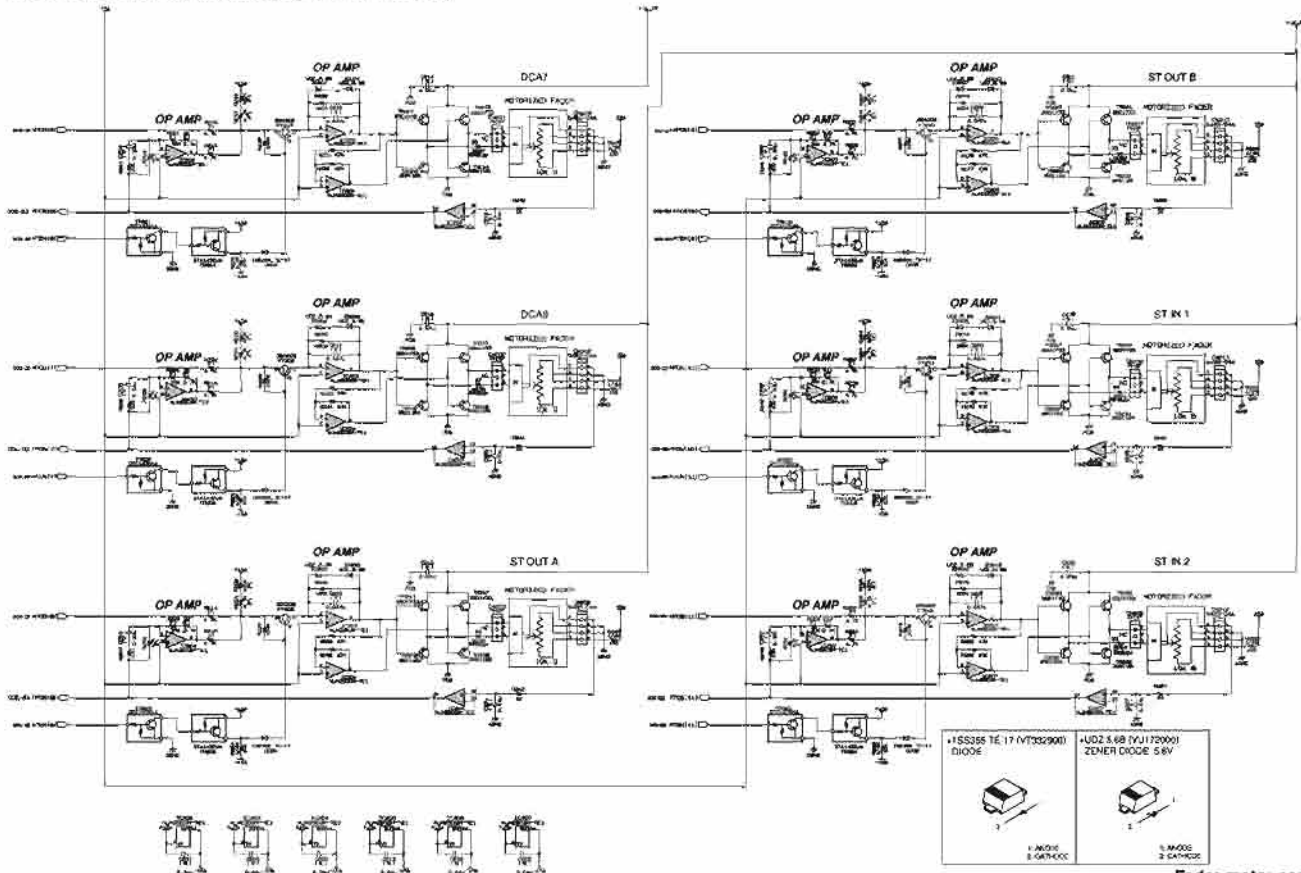
Fader motor drive

■ FDC CIRCUIT DIAGRAM 002 (PM5D/PM5D-RH)

1
2
3
4
5
6
7
8
9
10
11
12

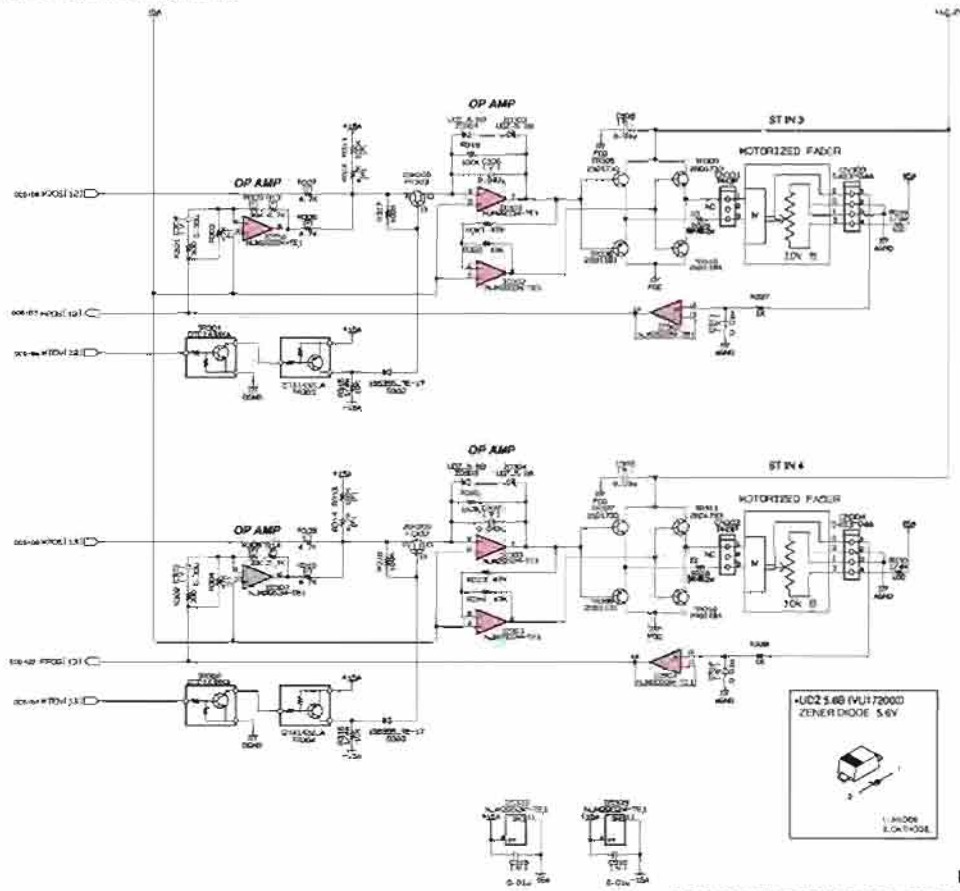
■ FDC CIRCUIT DIAGRAM 003 (PM5D/PM5D-RH)

PM5D/PM5D-RH



■ FDC CIRCUIT DIAGRAM 004 (PM5D/PM5D-RH)

PM5D/PM5D-RH

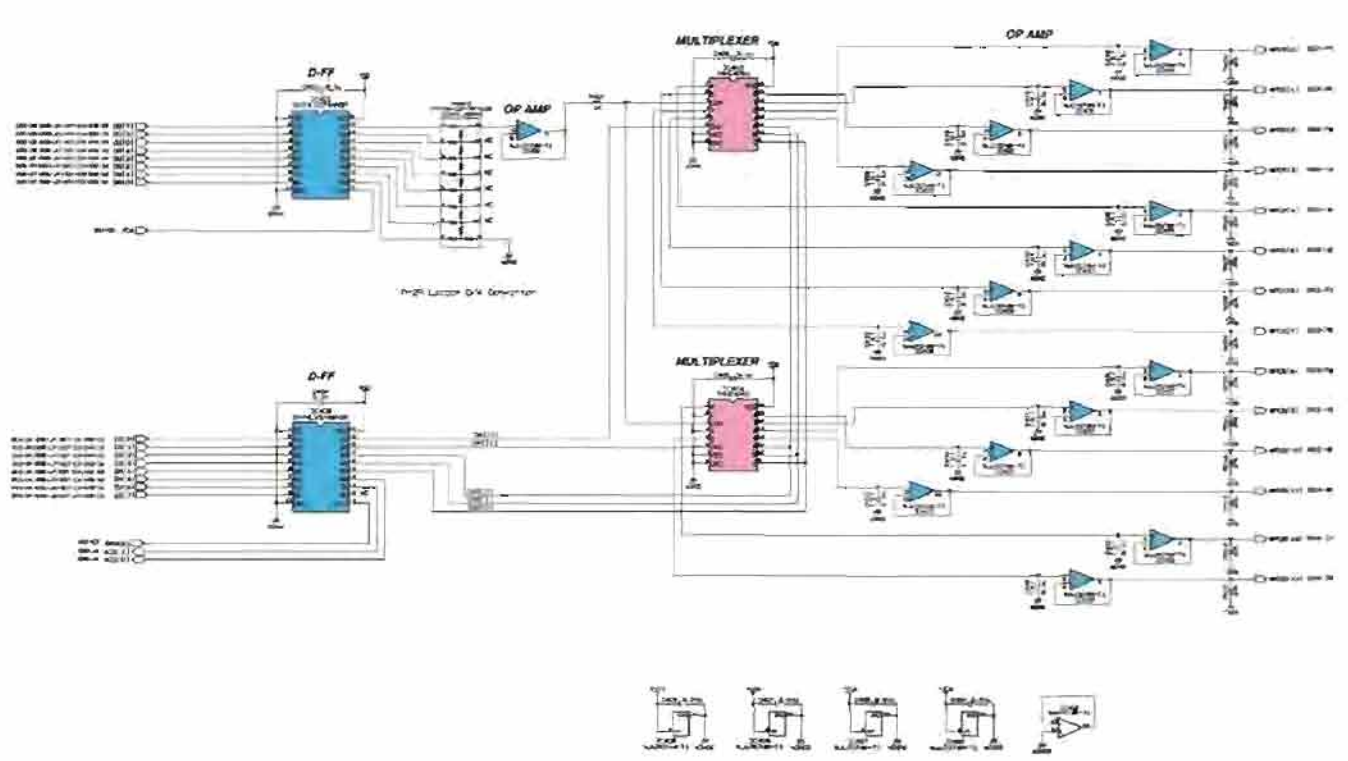


28CC1-6830203-4

Fader motor drive
■ FDC CIRCUIT DIAGRAM 004 (PM5D/PM5D-RH)

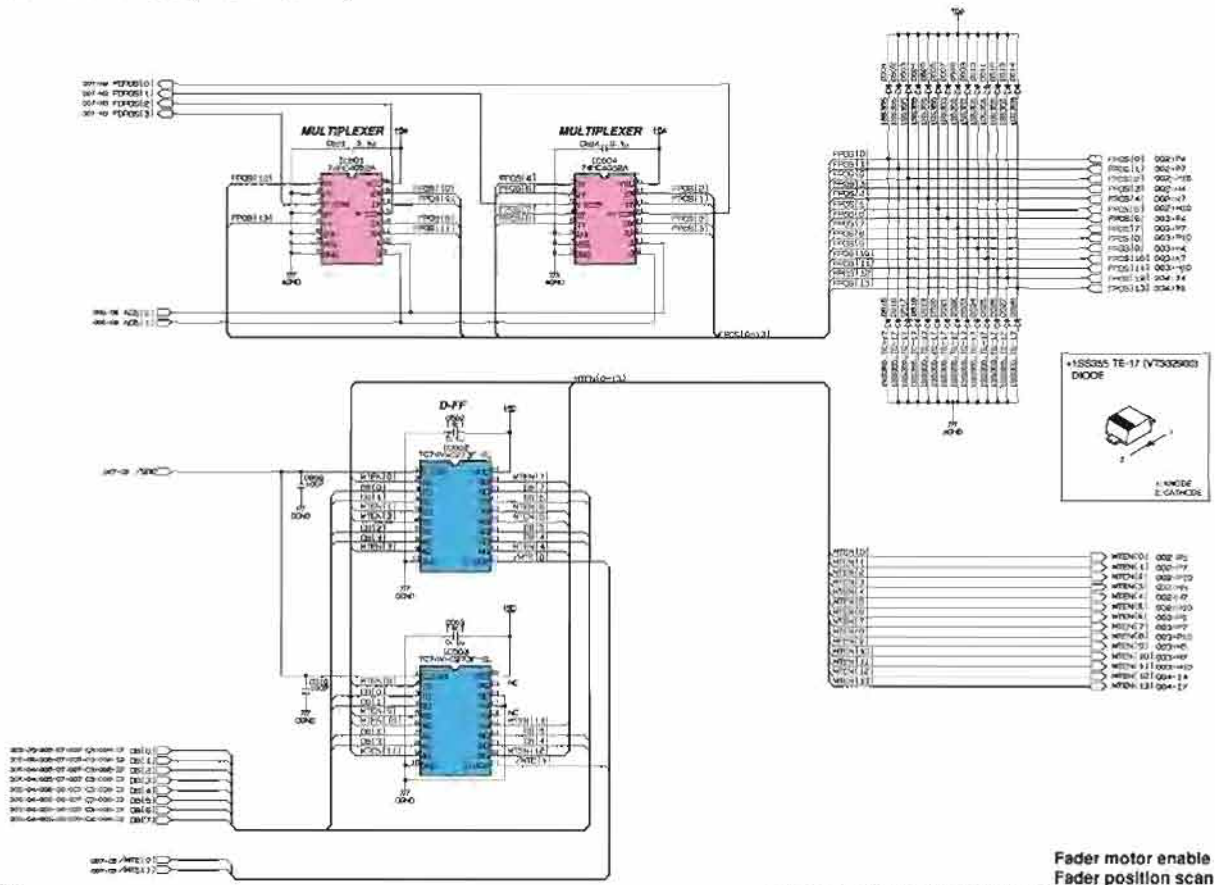
■ FDC CIRCUIT DIAGRAM 005 (PM5D/PM5D-RH)

PM5D/PM5D-RH



■ FDC CIRCUIT DIAGRAM 006 (PM5D/PM5D-RH)

PM5D/PM5D-RH

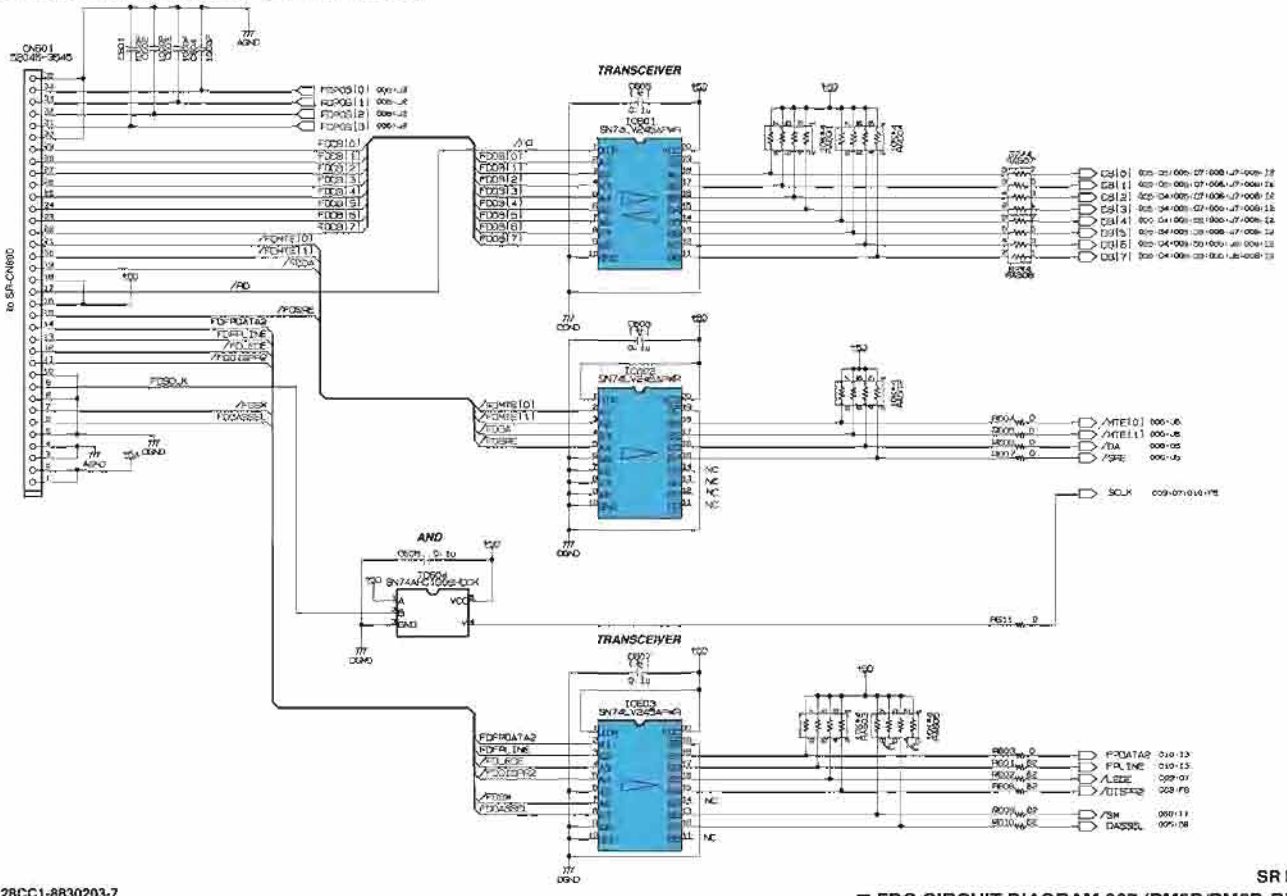


28CC1-8830203-6

■ FDC CIRCUIT DIAGRAM 006 (PM5D/PM5D-RH)

■ FDC CIRCUIT DIAGRAM 007 (PM5D/PM5D-RH)

PM5D/PM5D-RH



K

J

I

H

G

F

E

D

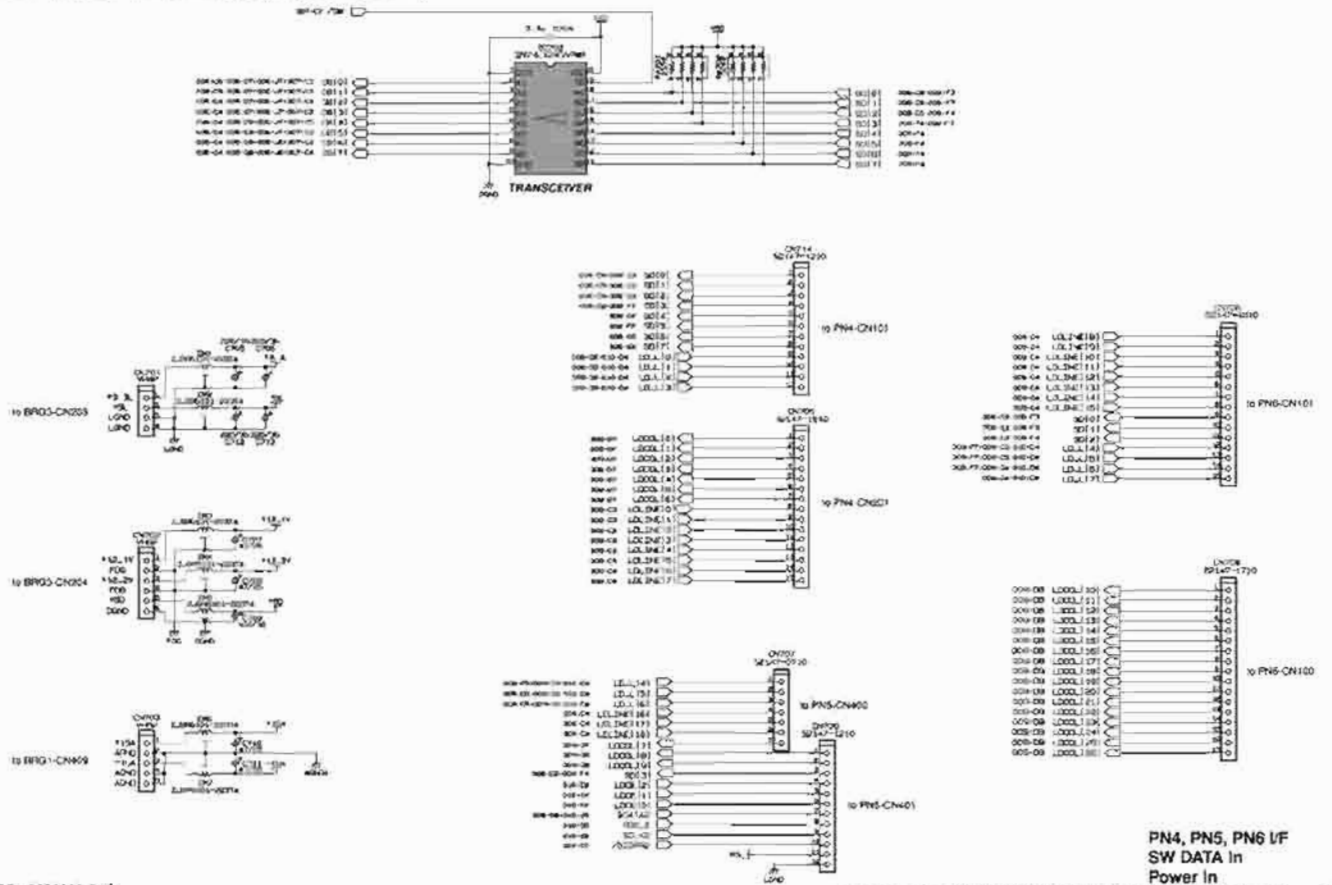
C

B

A

■ FDC CIRCUIT DIAGRAM 008 (PM5D/PM5D-RH)

PM5D/PM5D-RH

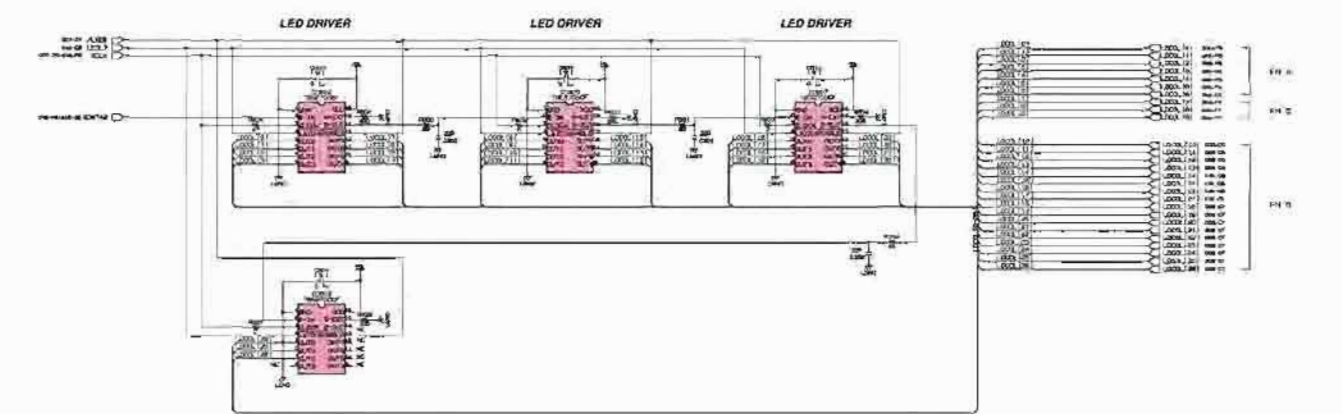
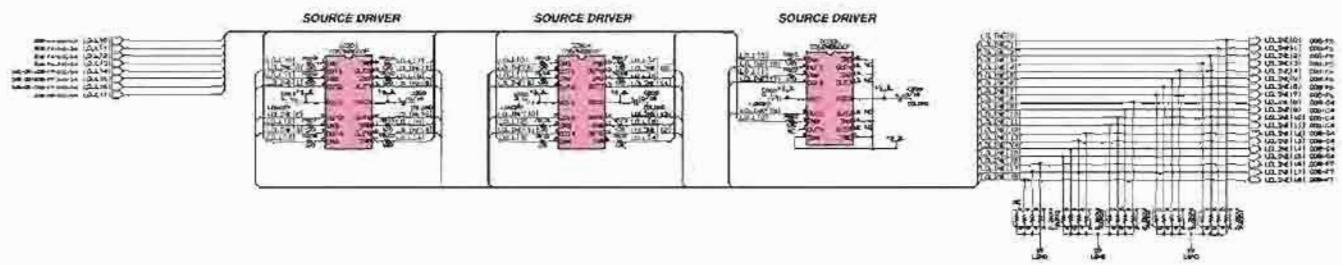


28CC1-8830203-8

■ FDC CIRCUIT DIAGRAM 008 (PM5D/PM5D-RH)

■ FDC CIRCUIT DIAGRAM 009 (PM5D/PM5D-RH)

PM5D/PM5D-RH



K

J

I

H

G

F

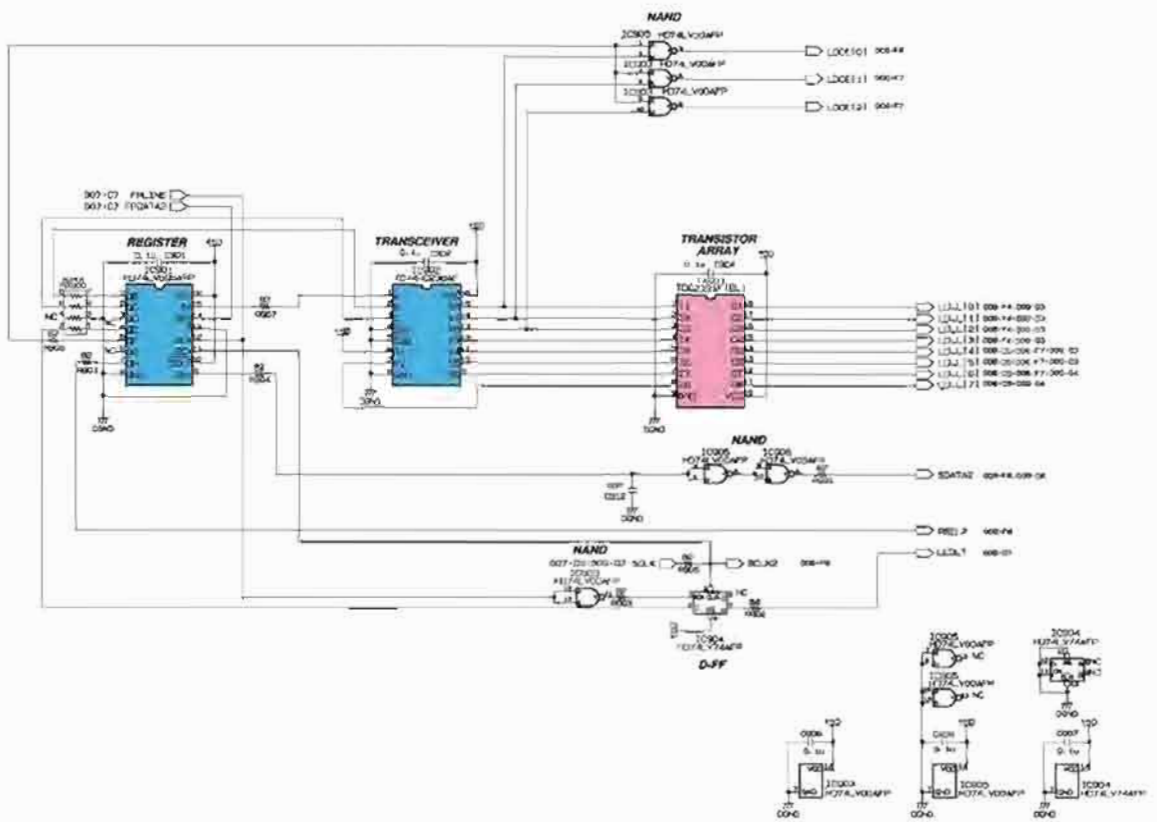
E

D

C

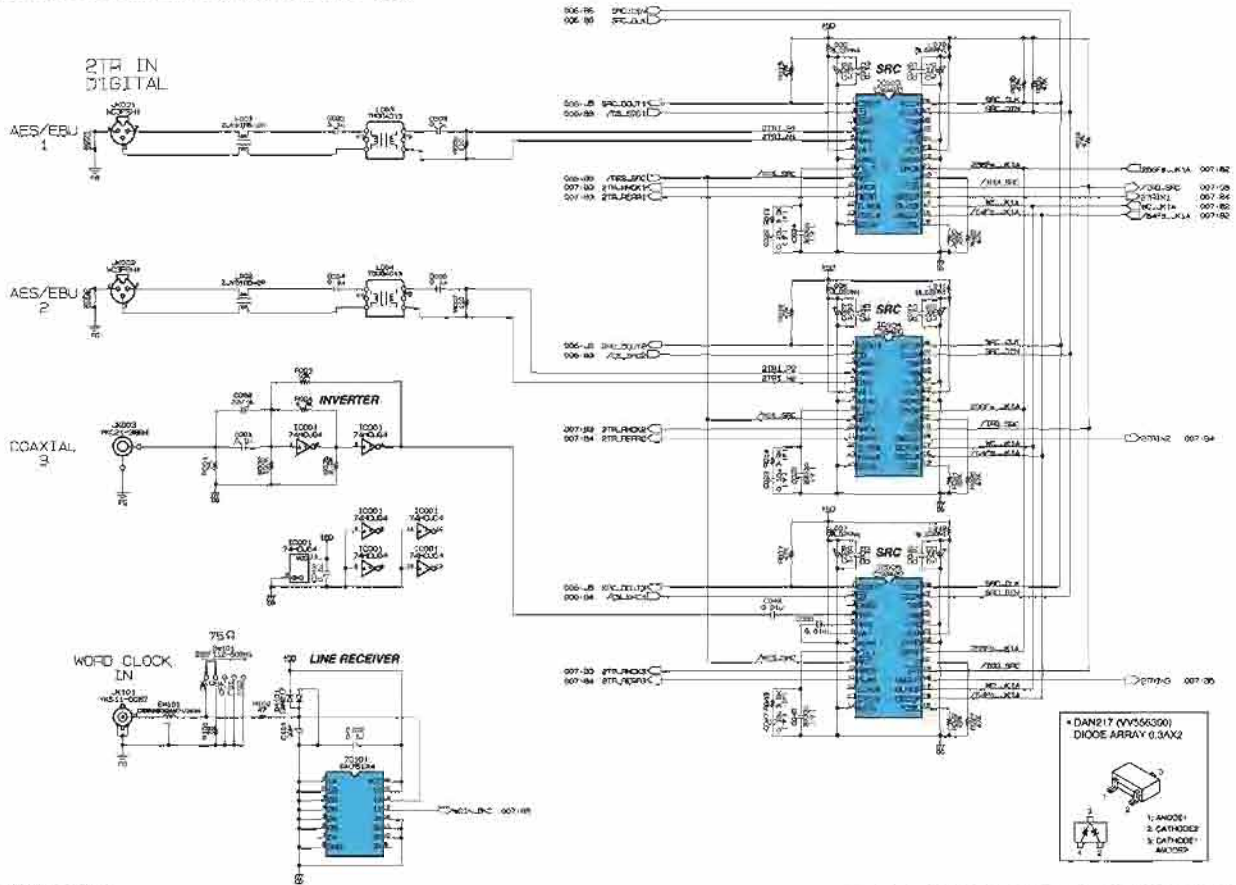
■ FDC CIRCUIT DIAGRAM 010 (PM5D/PM5D-RH)

PM5D/PM5D-RH



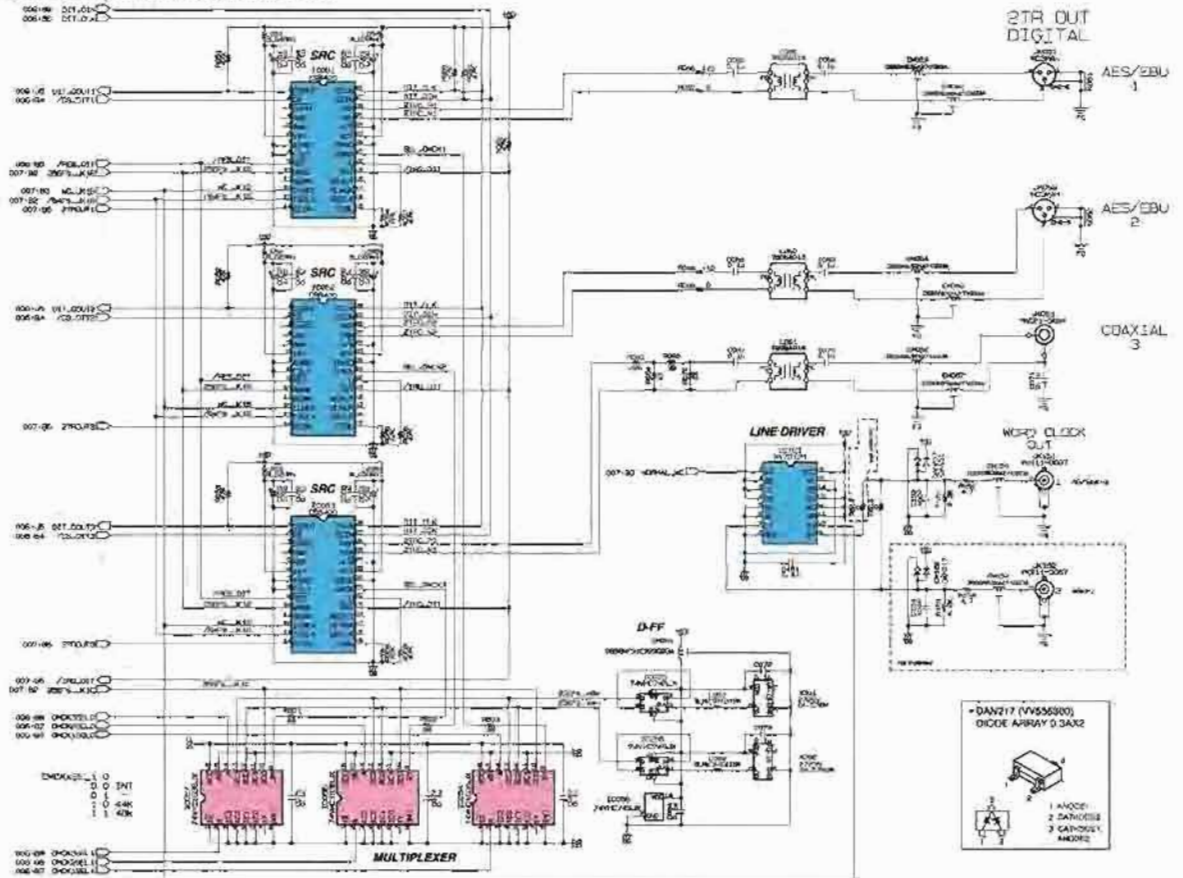
JK1 CIRCUIT DIAGRAM 002 (PM5D/PM5D-RH)

PM5D/PM5D-RH



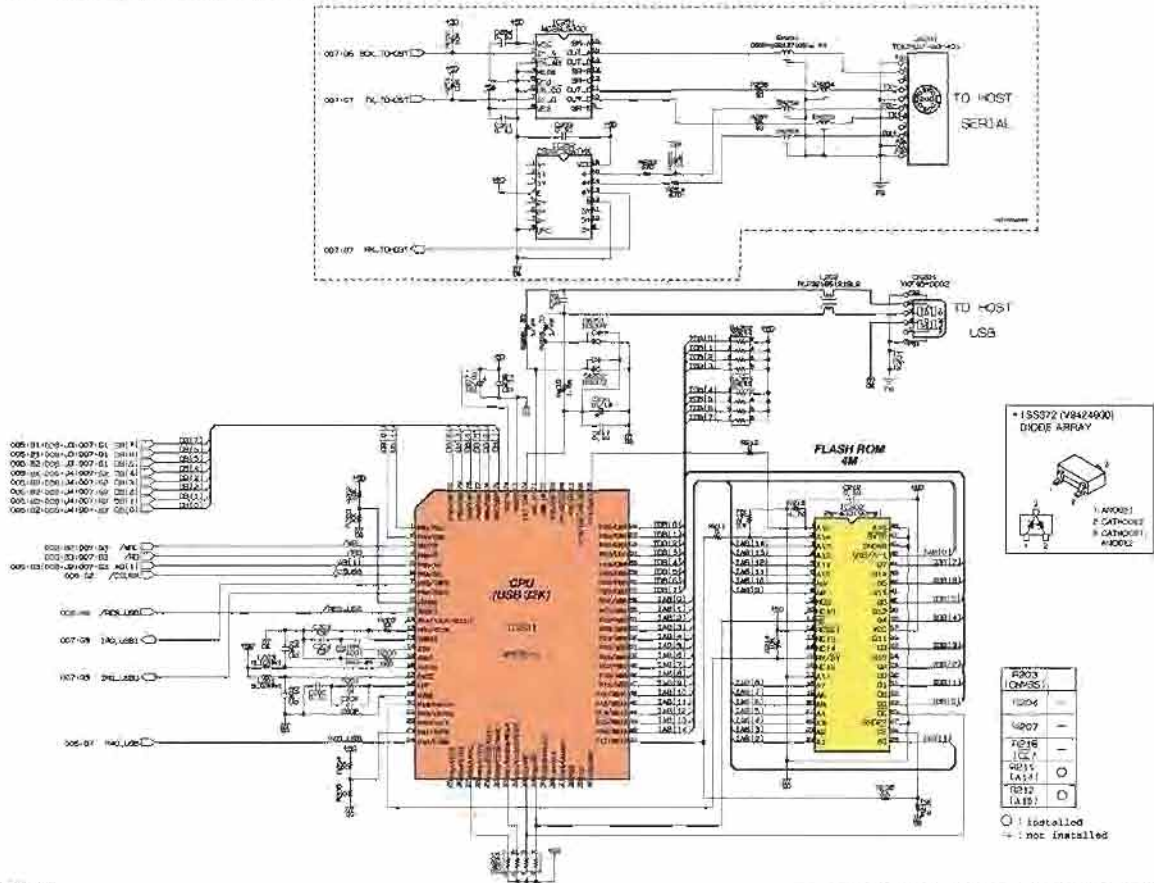
JK1 CIRCUIT DIAGRAM 003 (PM5D/PM5D-RH)

PM5D/PM5D-RH



JK1 CIRCUIT DIAGRAM 004 (PM5D/PM5D-RH)

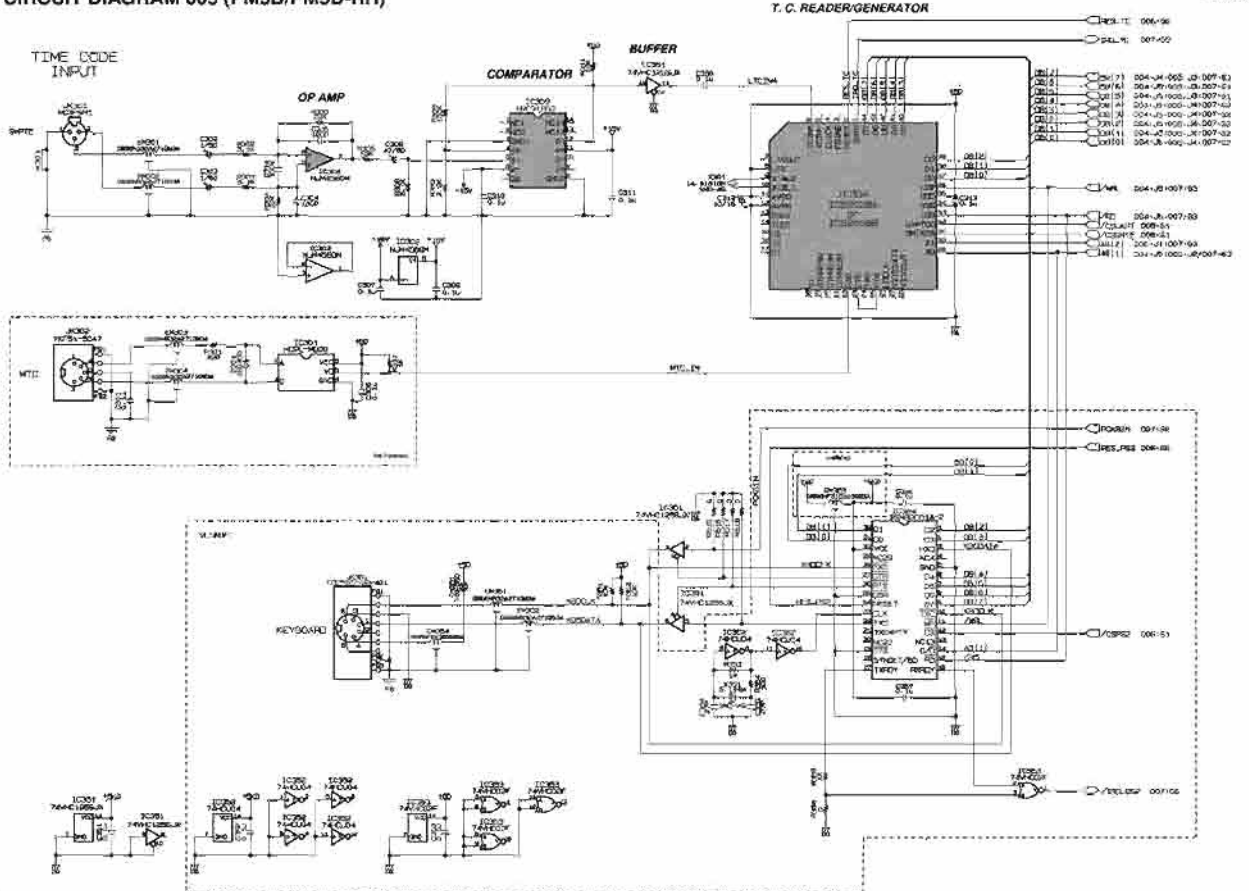
PM5D/PM5D-RH



JK1 CIRCUIT DIAGRAM 004 (PM5D/PM5D-RH)

■ JK1 CIRCUIT DIAGRAM 005 (PM5D/PM5D-RH)

PM5D/PM5D-RH

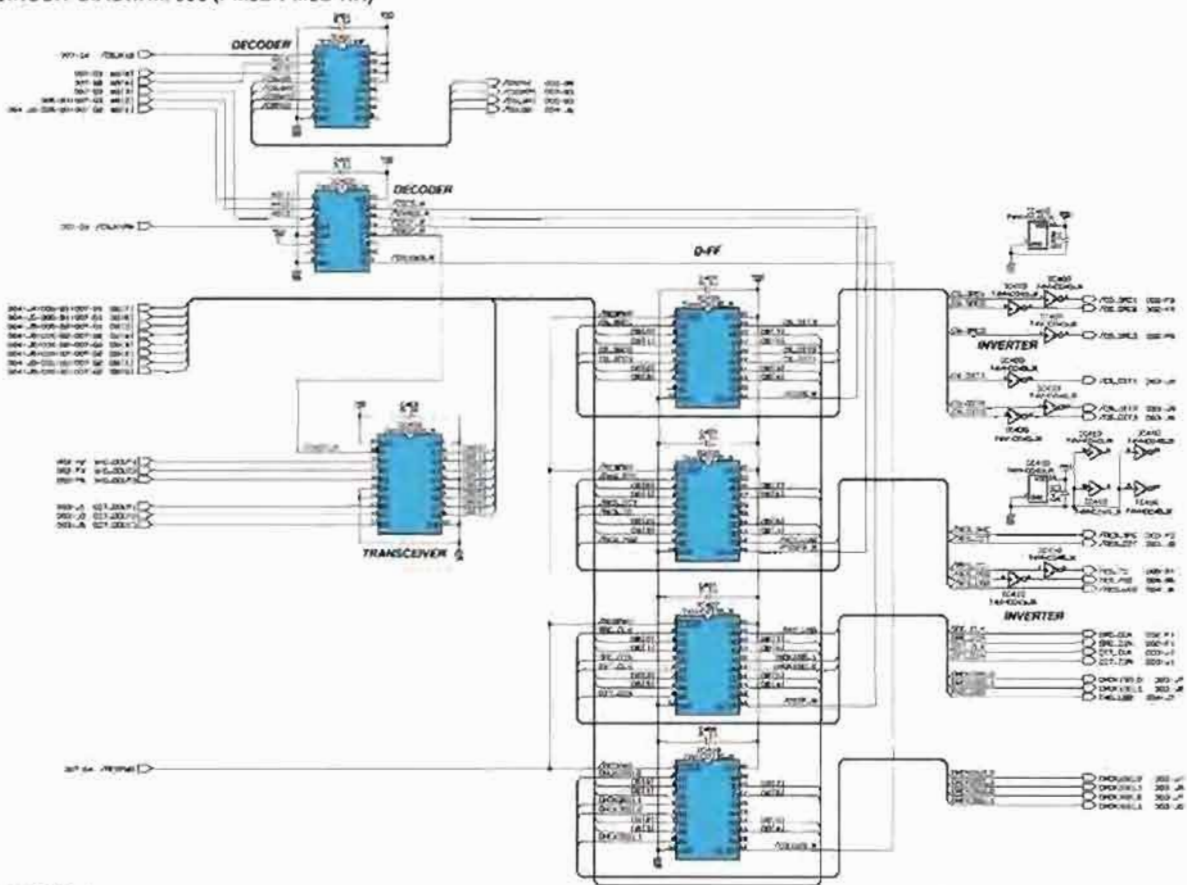


28CC1-8830385-5

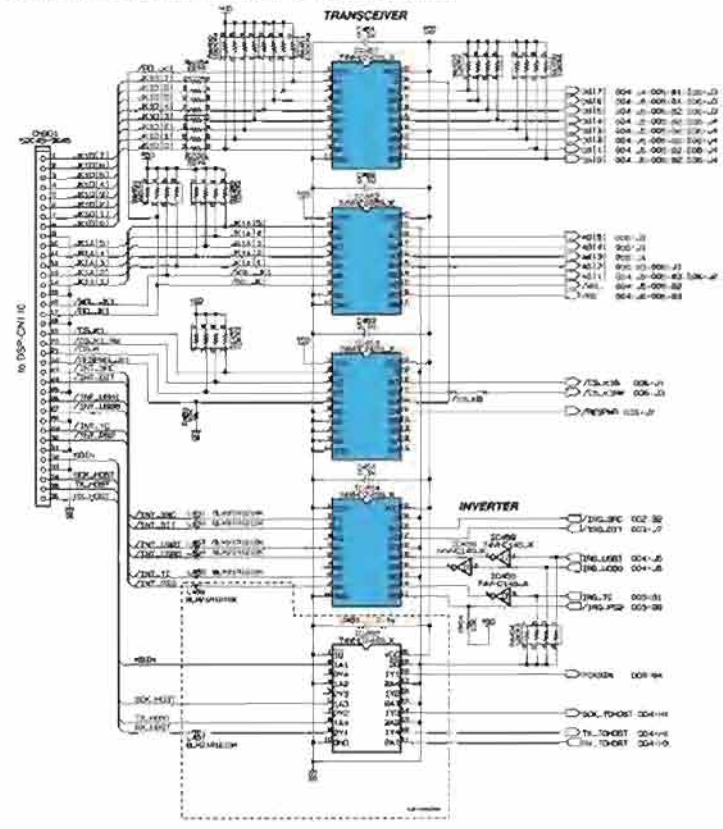
■ JK1 CIRCUIT DIAGRAM 005 (PM5D/PM5D-RH)

JK1 CIRCUIT DIAGRAM 006 (PM5D/PM5D-RH)

PM5D/PM5D-RH

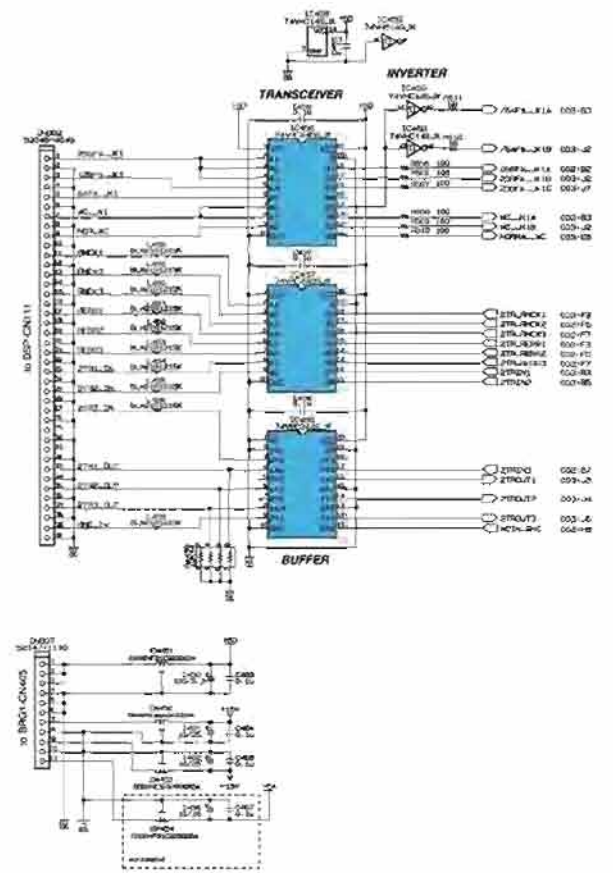


JK1 CIRCUIT DIAGRAM 007 (PM5D/PM5D-RH)



28CC1-8830385-7

PM5D/PM5D-RH

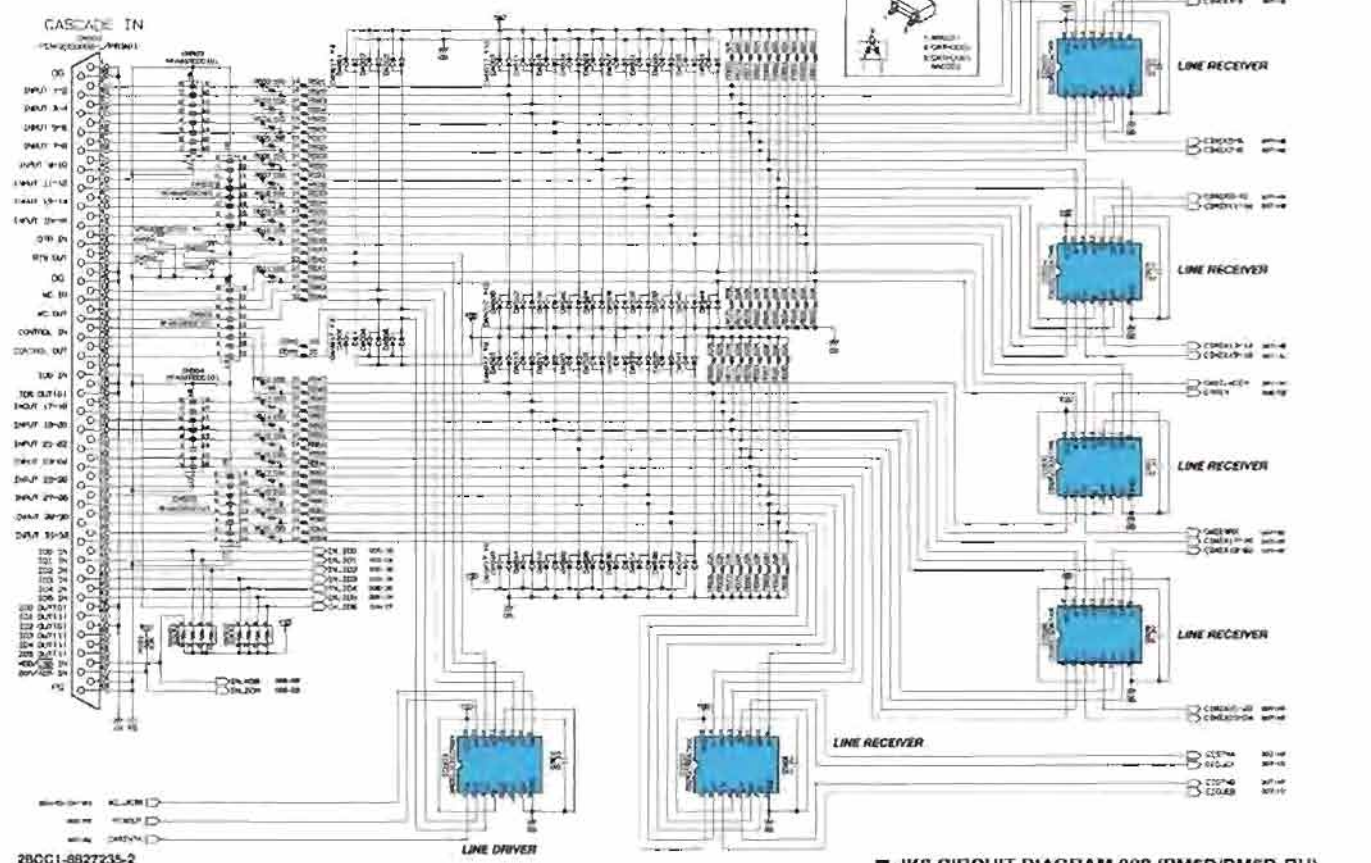


JK1 CIRCUIT DIAGRAM 007 (PM5D/PM5D-RH)

L K J I H G F E D C B A

JK2 CIRCUIT DIAGRAM 002 (PM5D/PM5D-RH)

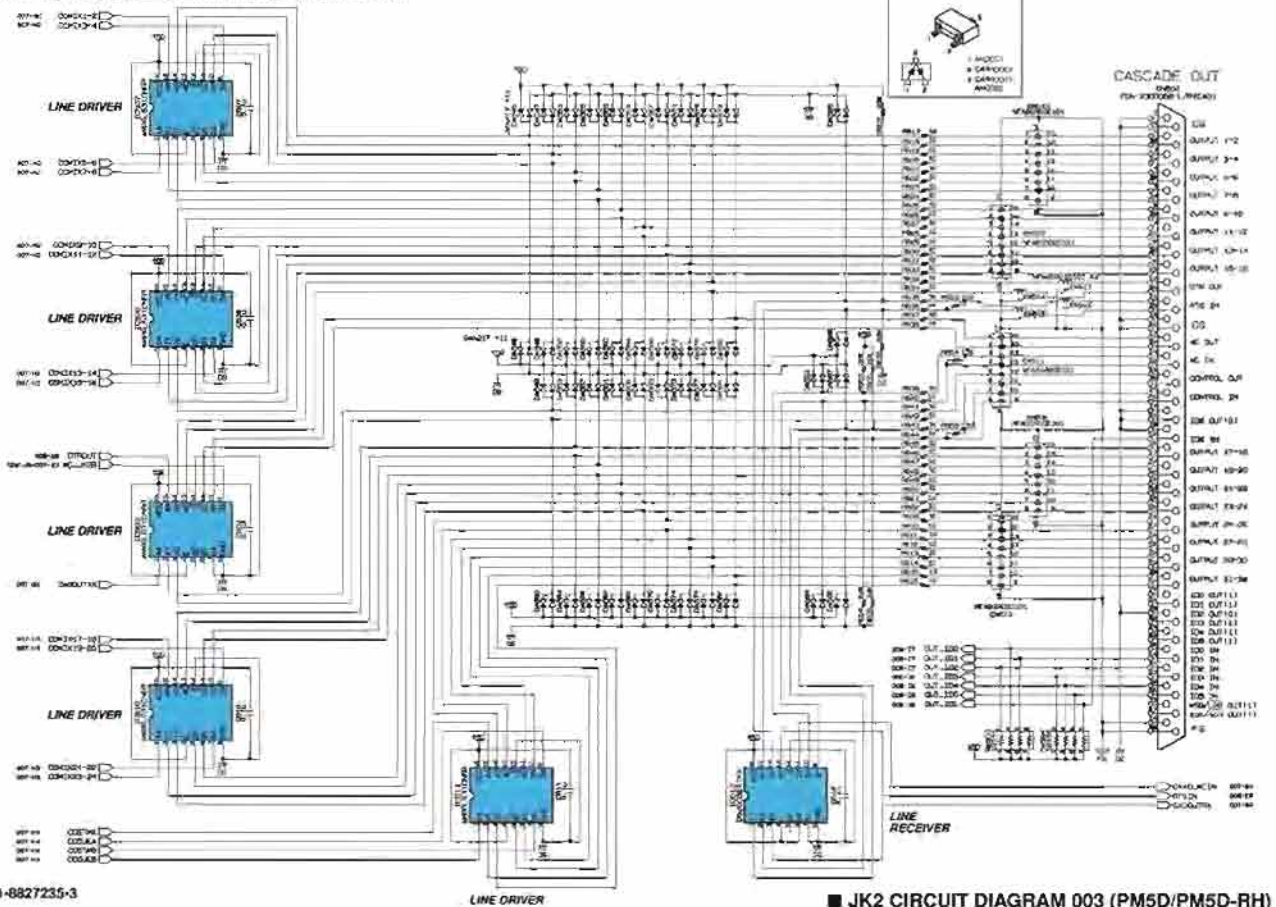
PM5D/PM5D-RH



■ JK2 CIRCUIT DIAGRAM 003 (PM5D/PM5D-RH)



PM5D/PM5D-RH

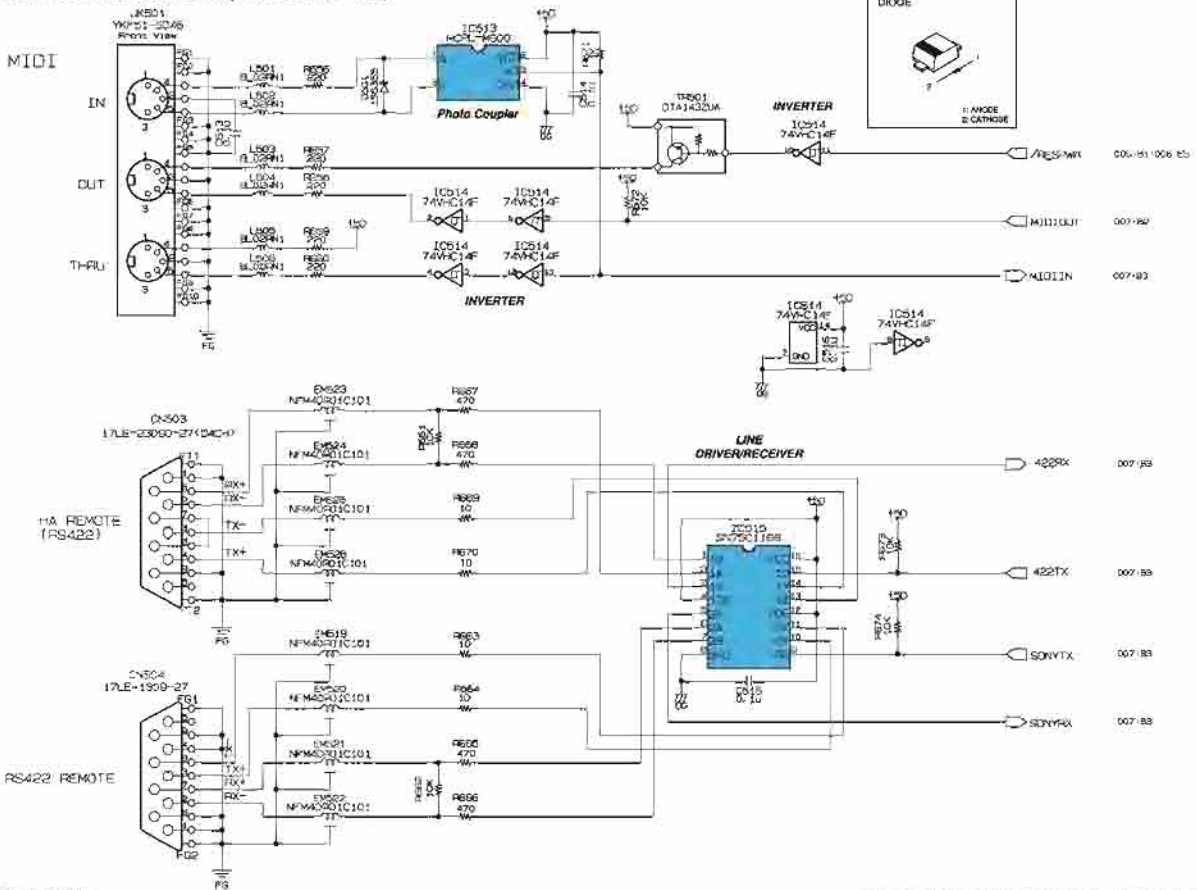


28CC1-8827235-3

■ JK2 CIRCUIT DIAGRAM 003 (PM5D/PM5D-RH)

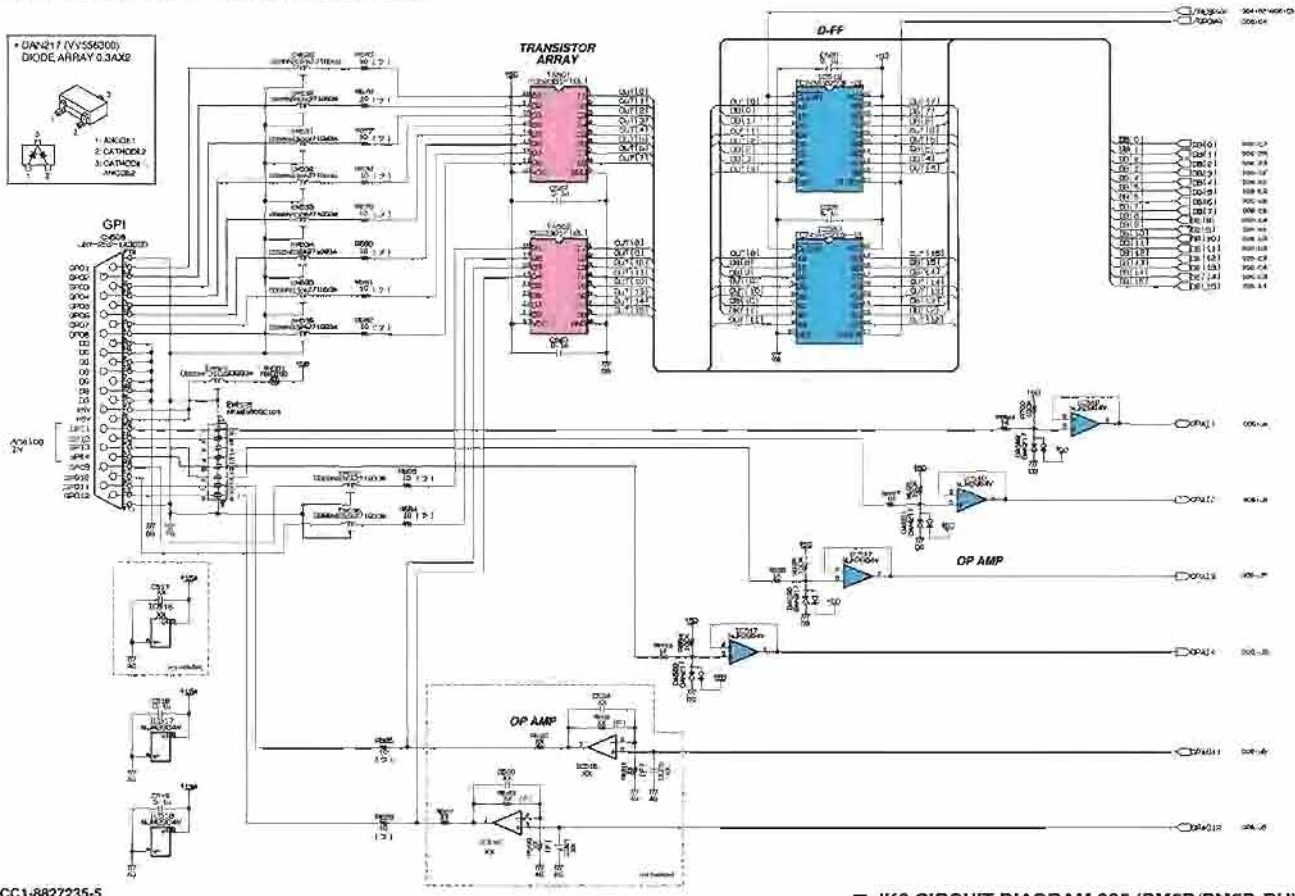
JK2 CIRCUIT DIAGRAM 004 (PM5D/PM5D-RH)

PM5D/PM5D-RH



■ JK2 CIRCUIT DIAGRAM 005 (PM5D/PM5D-RH)

PM5D/PM5D-RH



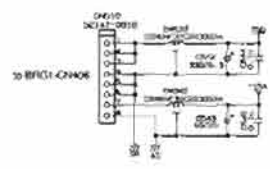
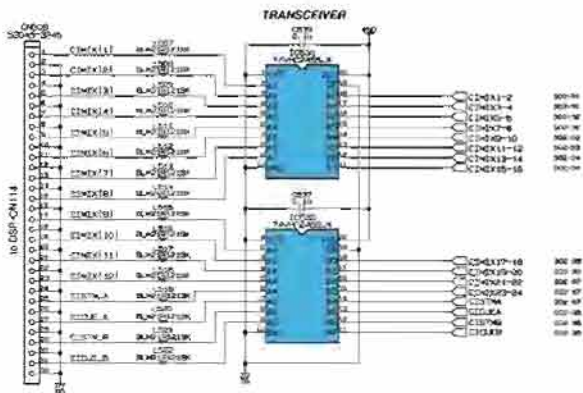
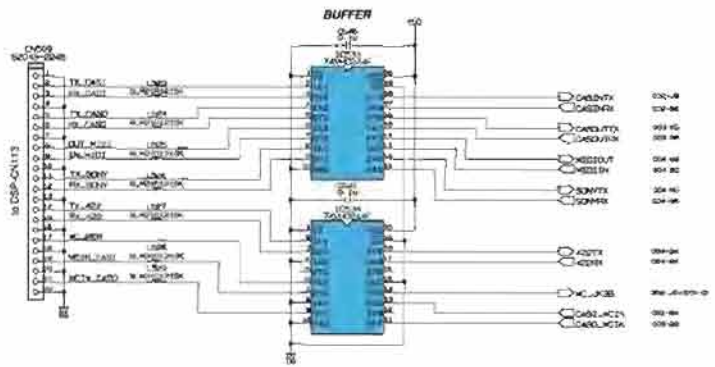
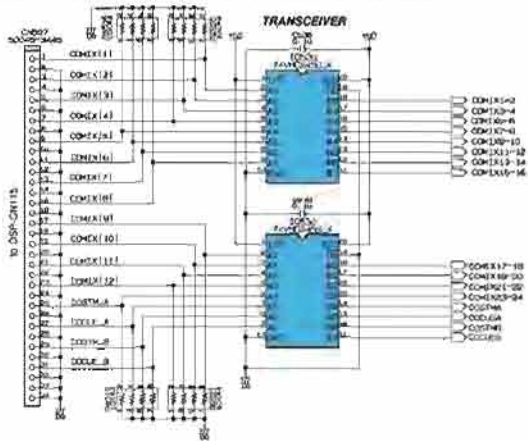
28CC1-8827235-5

■ JK2 CIRCUIT DIAGRAM 005 (PM5D/PM5D-RH)

K J I H G F E D C B A

JK2 CIRCUIT DIAGRAM 007 (PM5D/PM5D-RH)

PM5D/PM5D-RH



D

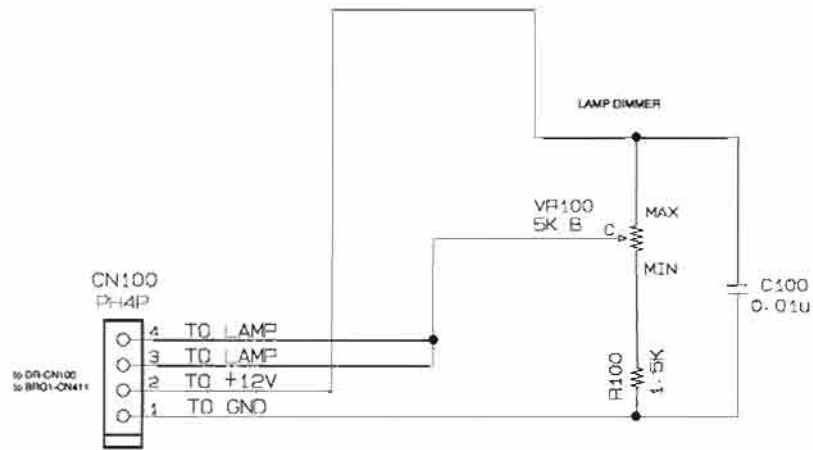
C

B

A

■ LPVOL CIRCUIT DIAGRAM (PM5D)

PM5D



3

4

5

D

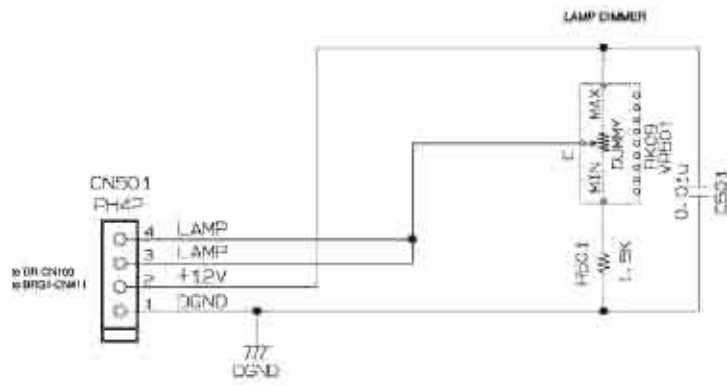
C

B

A

■ LPVOL CIRCUIT DIAGRAM (PM5D-RH)

PM5D-RH

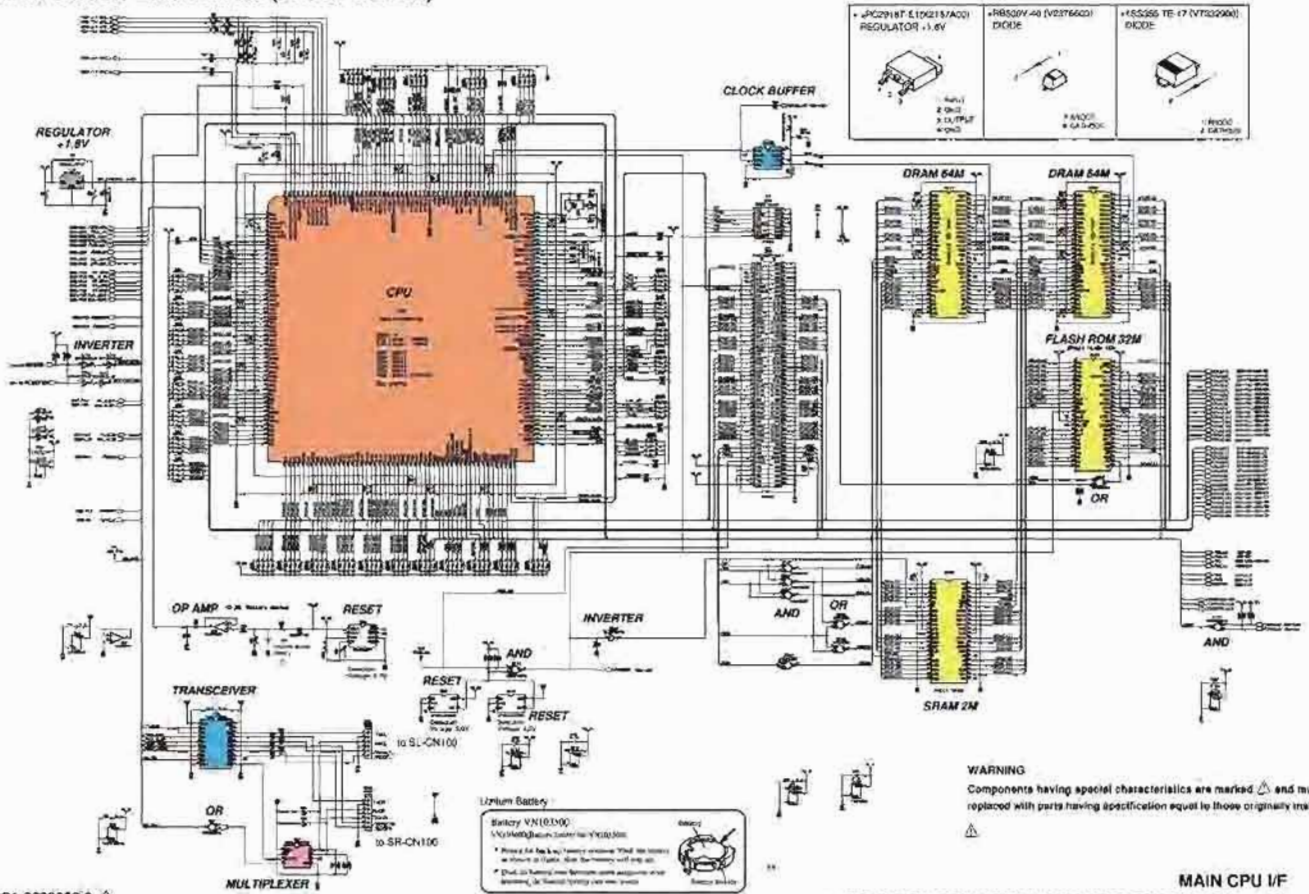


■ LPVOL CIRCUIT DIAGRAM (PM5D-RH)

X W V U T S R Q P O N M L K J I H G F E D C B A

■ MAIN CIRCUIT DIAGRAM 002 (PM5D/PM5D-RH)

PM5D/PM5D-RH



<p>PC2918T-E10213/A01 REGULATOR +1.8V</p>	<p>R850V-40 (V2376620) DCDC</p>	<p>MS585 TE-17 (V7522990) DCDC</p>
---	-------------------------------------	--

Lithium Battery

Battery VN(E)N00
(V750450) (order code: V750450)

- Please do not use a battery containing "lead" that contains lead in Japan. Also, the battery will not work.
- Do not handle over-temperature, over-voltage or over-current. Do not touch directly over the battery.

WARNING
Components having special characteristics are marked and must be replaced with parts having specification equal to those originally installed.

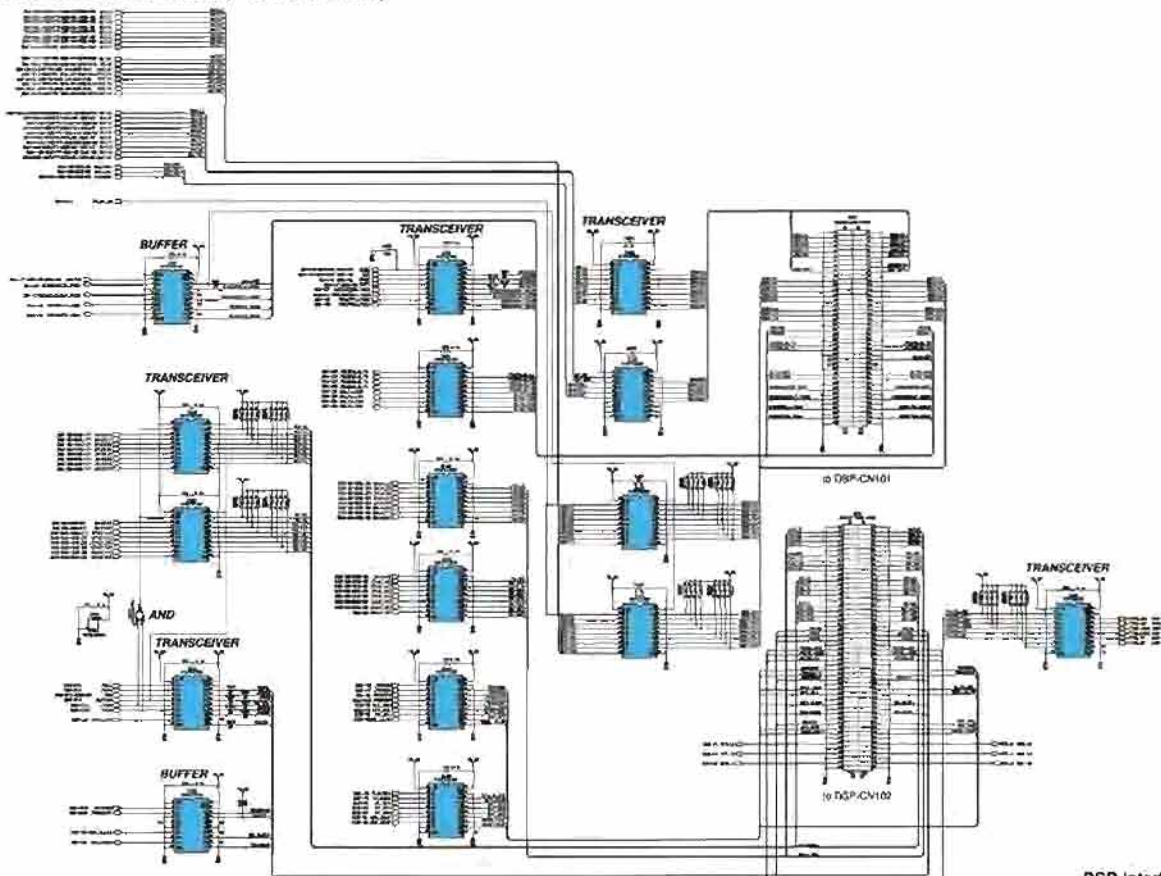
28CC1-8830308-2

MAIN CPU I/F
■ MAIN CIRCUIT DIAGRAM 002 (PM5D/PM5D-RH)

V U T S R Q P O N M L K J I H G F E D C

■ MAIN CIRCUIT DIAGRAM 003 (PM5D/PM5D-RH)

PM5D/PM5D-RH

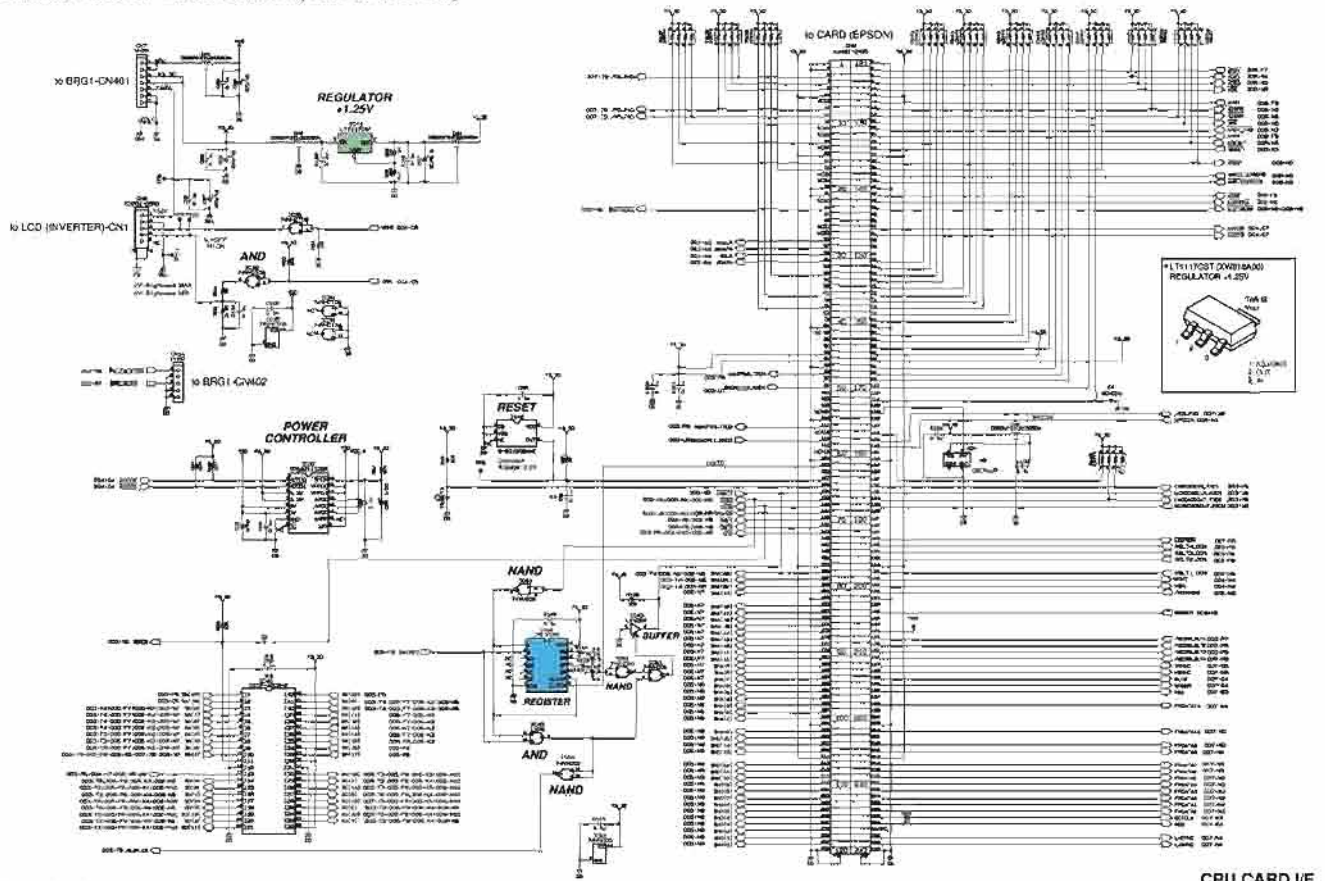


DSP Interface Section

■ MAIN CIRCUIT DIAGRAM 003 (PM5D/PM5D-RH)

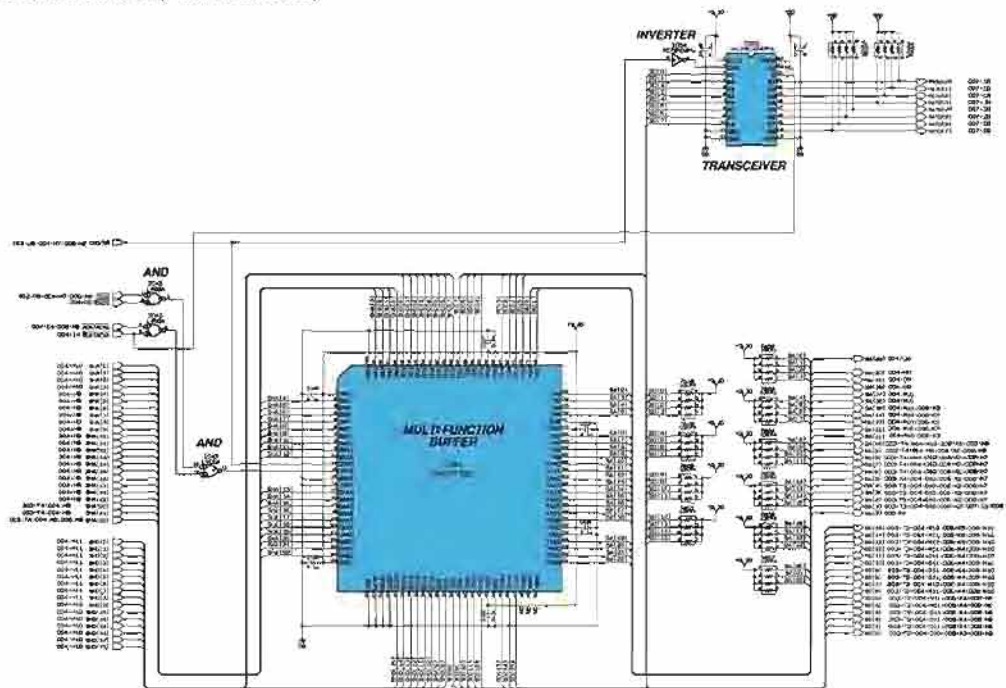
■ MAIN CIRCUIT DIAGRAM 004 (PM5D/PM5D-RH)

PM5D/PM5D-RH



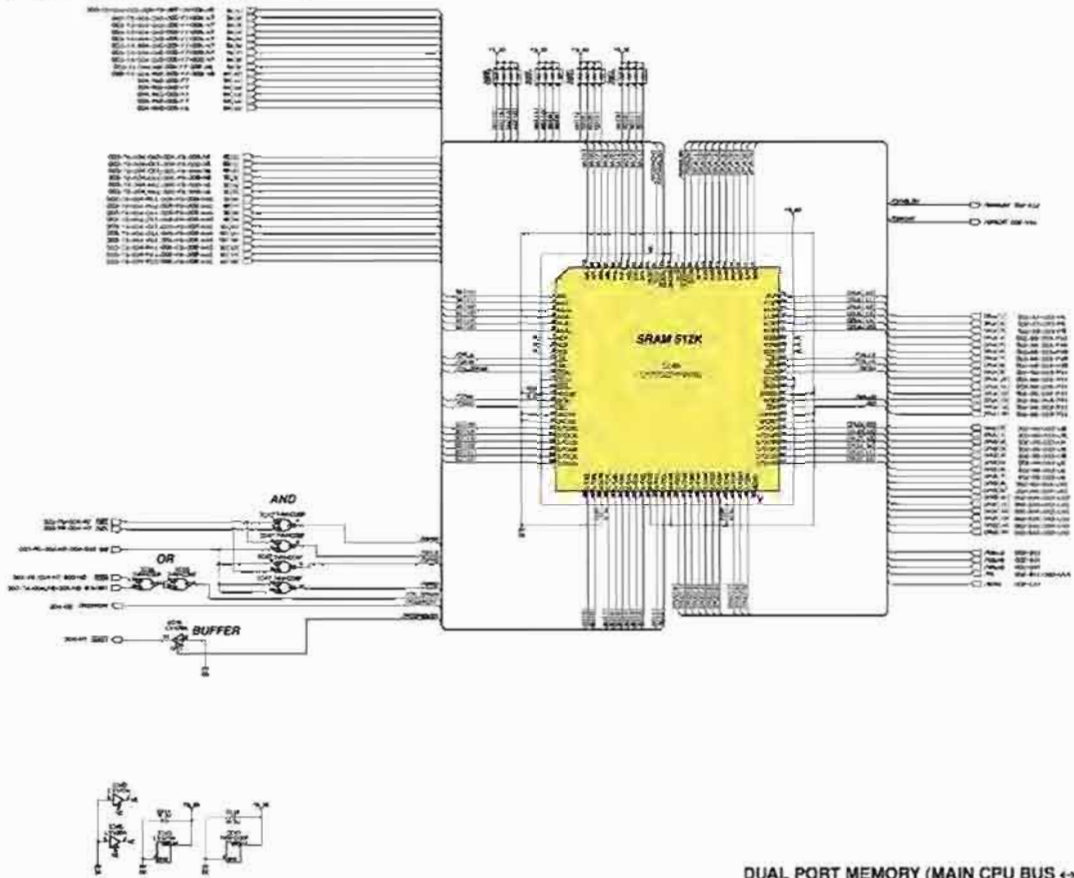
■ MAIN CIRCUIT DIAGRAM 005 (PM5D/PM5D-RH)

PM5D/PM5D-RH



■ MAIN CIRCUIT DIAGRAM 006 (PM5D/PM5D-RH)

PM5D/PM5D-RH

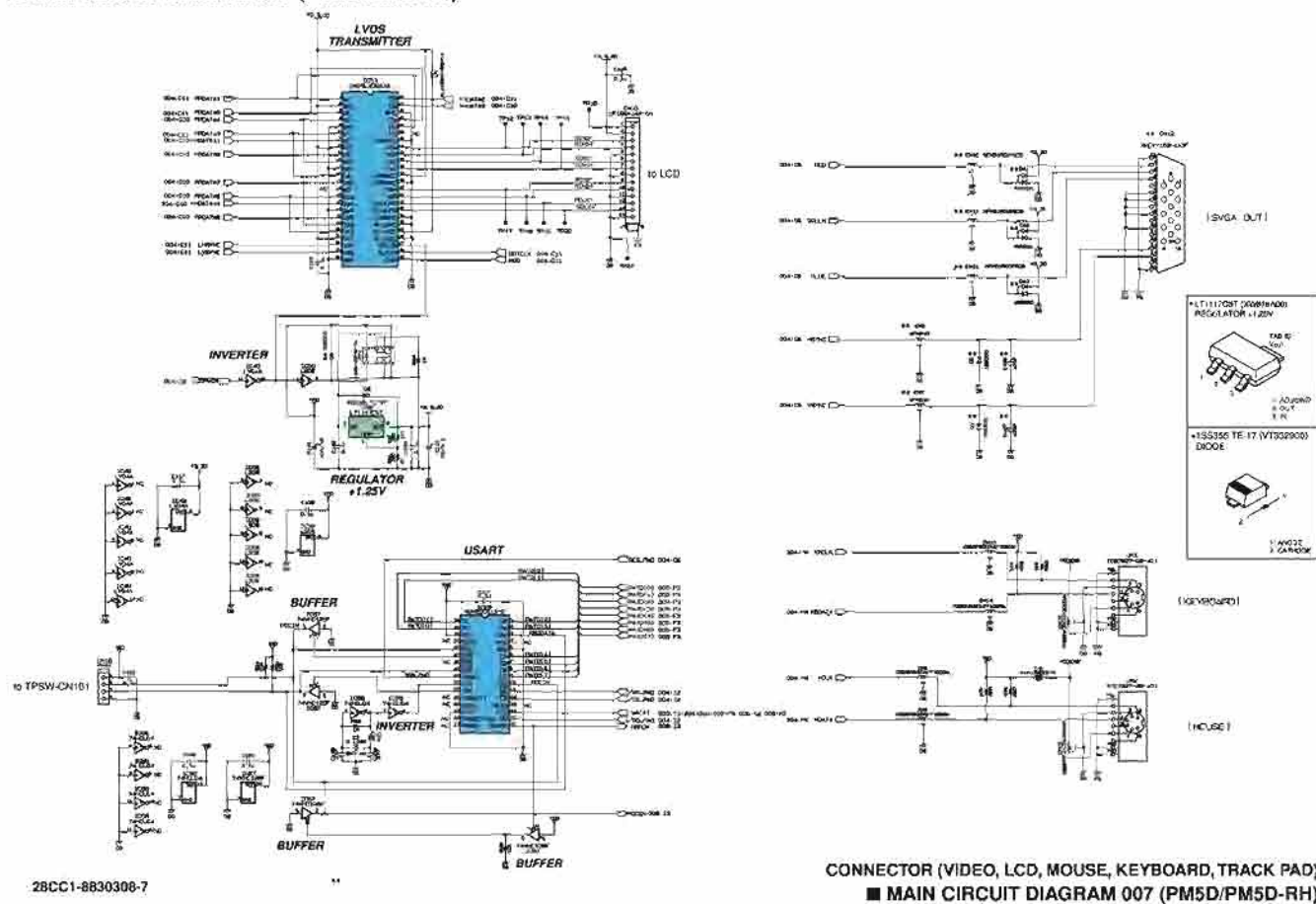


28CC1-8830308-6 \triangle

DUAL PORT MEMORY (MAIN CPU BUS \leftrightarrow CARD BUS)
 ■ MAIN CIRCUIT DIAGRAM 006 (PM5D/PM5D-RH)

■ MAIN CIRCUIT DIAGRAM 007 (PM5D/PM5D-RH)

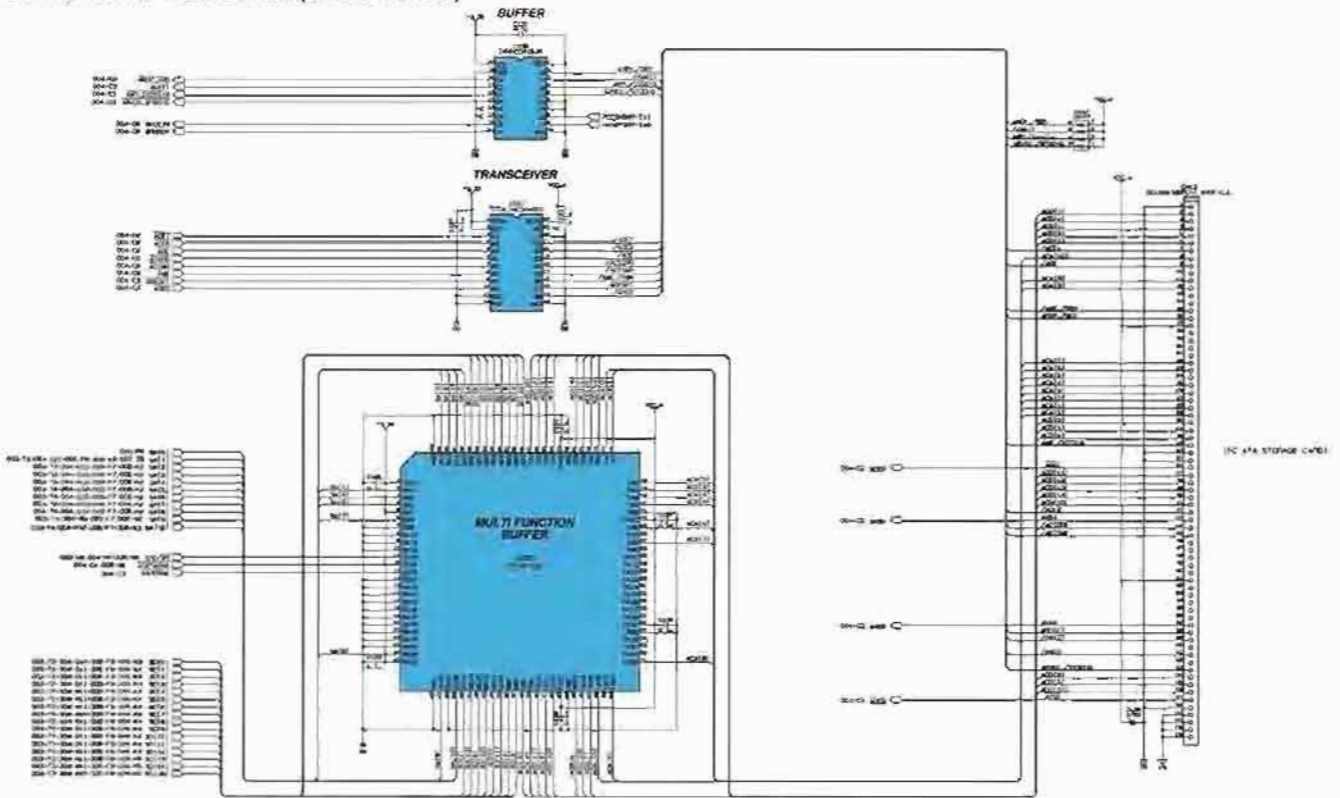
PM5D/PM5D-RH



CONNECTOR (VIDEO, LCD, MOUSE, KEYBOARD, TRACK PAD)
 ■ MAIN CIRCUIT DIAGRAM 007 (PM5D/PM5D-RH)

■ MAIN CIRCUIT DIAGRAM 008 (PM5D/PM5D-RH)

PM5D/PM5D-RH



D

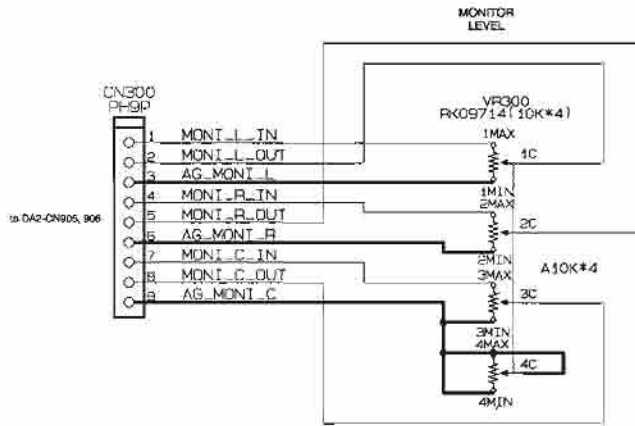
C

B

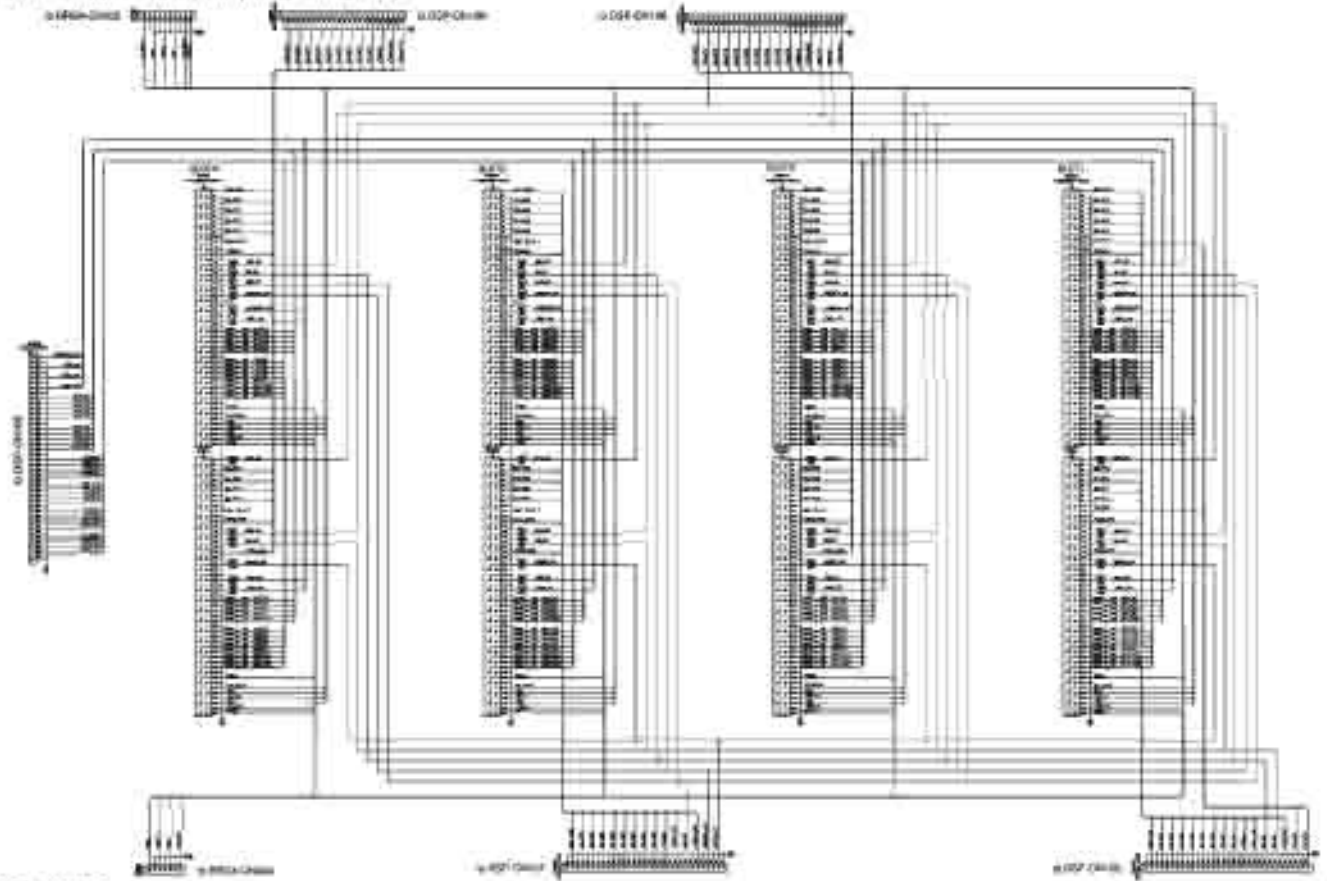
A

■ MNVOL CIRCUIT DIAGRAM (PM5D/PM5D-RH)

PM5D/PM5D-RH

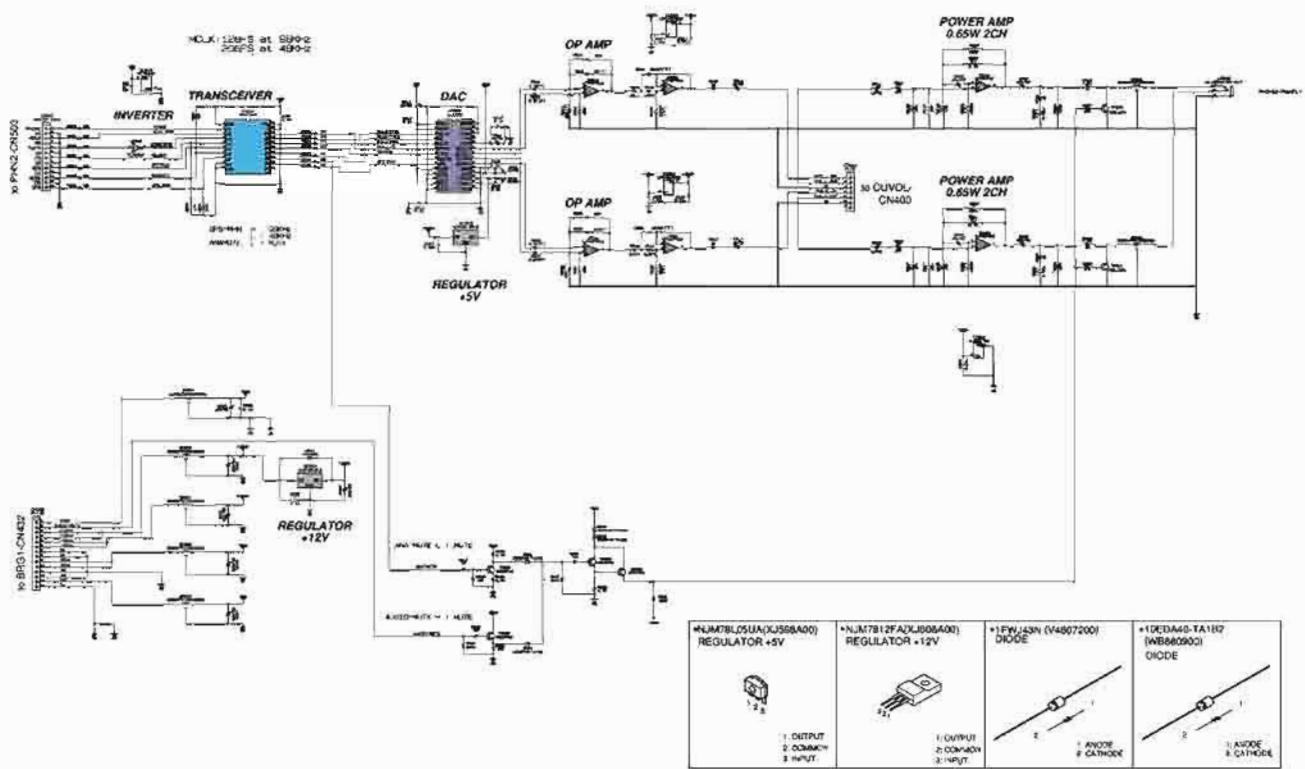






■ OPT CIRCUIT DIAGRAM (PM5D/PM5D-RH)



■ PHN1 CIRCUIT DIAGRAM (PM5D/PM5D-RH)

PM5D/PM5D-RH

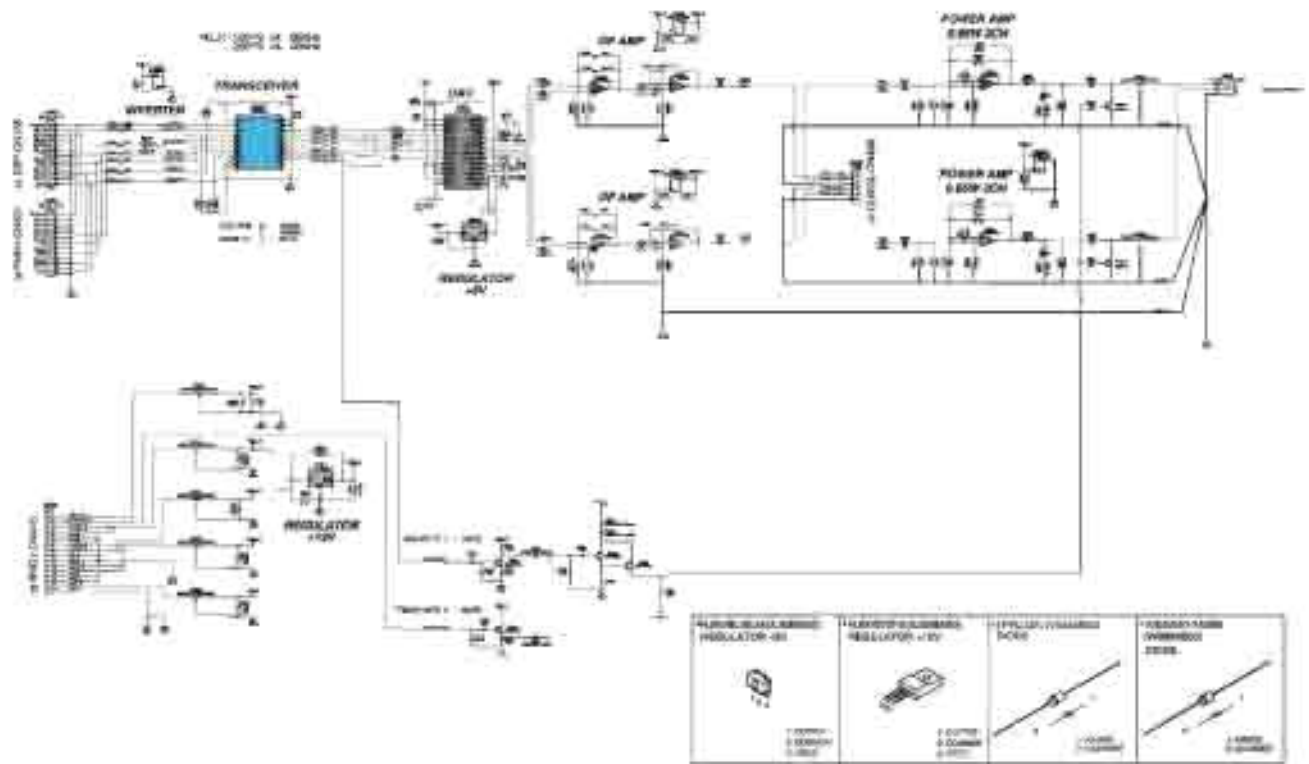


<p>*NJM78L05UA(XJ598A00) REGULATOR +5V</p>  <p>1: OUTPUT 2: COMMON 3: INPUT</p>	<p>*NJM7812FA(XJ508A00) REGULATOR +12V</p>  <p>1: OUTPUT 2: COMMON 3: INPUT</p>	<p>*1FWJ43N (V4807200) DIODE</p>  <p>1: ANODE 2: CATHODE</p>	<p>*10EDA40-TA1B7 (W8860900) DIODE</p>  <p>1: ANODE 2: CATHODE</p>
--	---	---	---

■ PHN1 CIRCUIT DIAGRAM (PM5D/PM5D-RH)

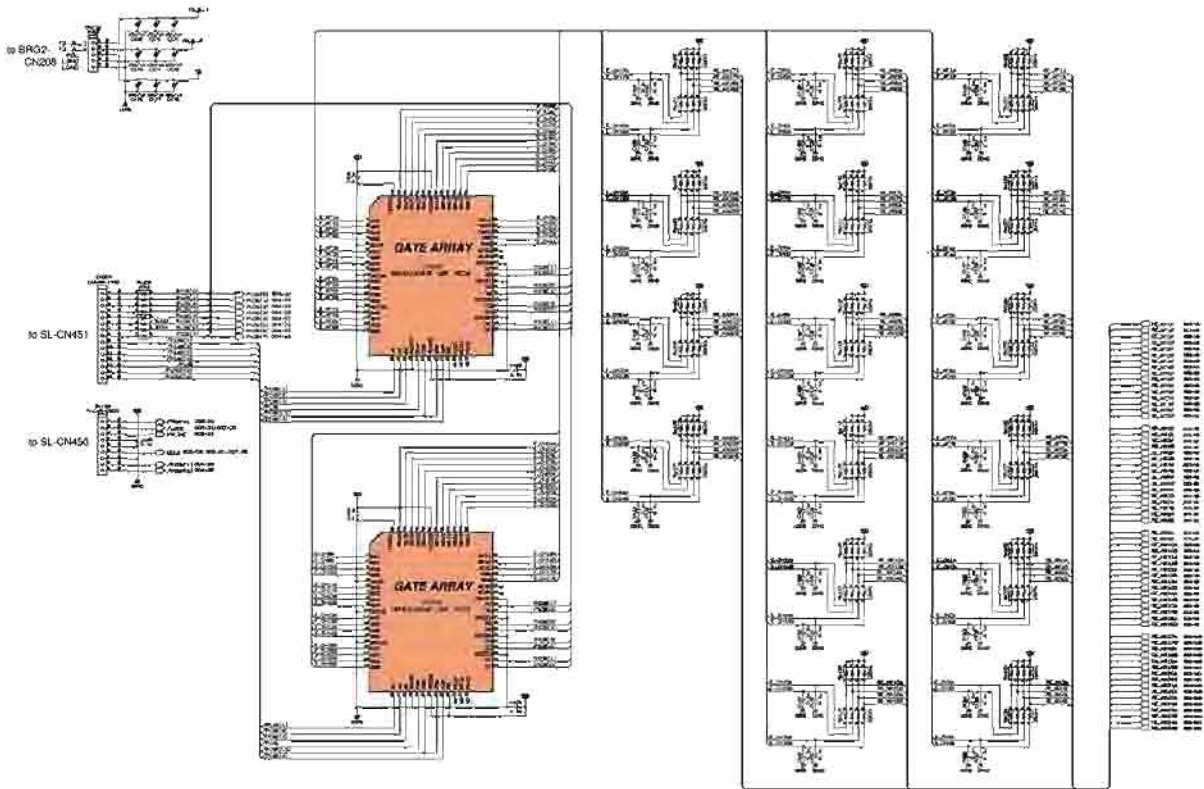
■ PHN2 CIRCUIT DIAGRAM (PM5D/PM5D-RH)

(PM5D/PM5D-RH)



■ PN1 CIRCUIT DIAGRAM 002 (PM5D/PM5D-RH)

PM5D/PM5D-RH

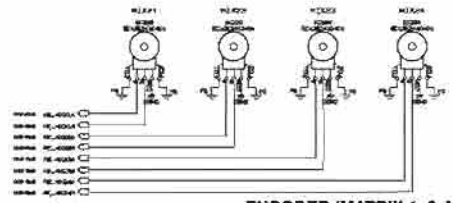
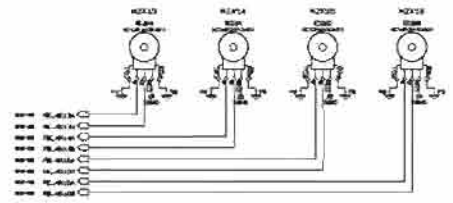
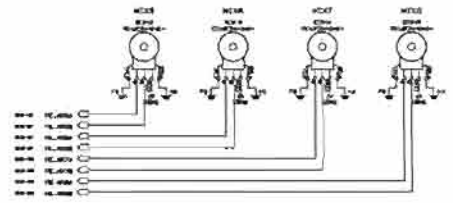
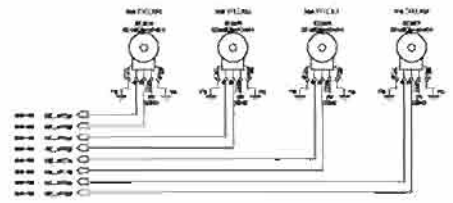
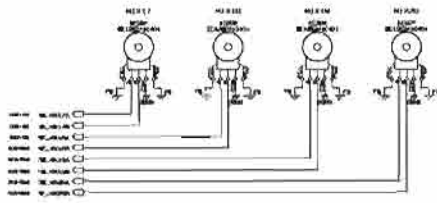
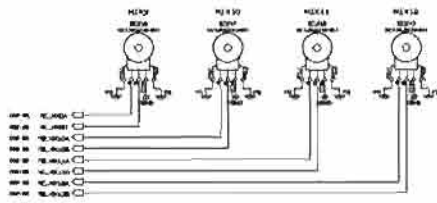
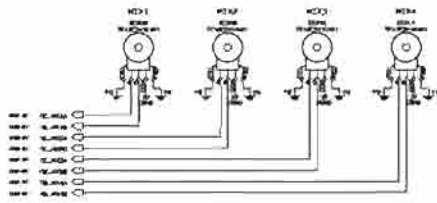
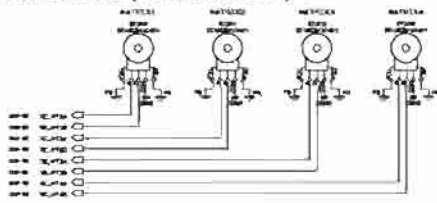


ENCODER SCAN (MATRIX 1-8, MIX 1-24)

■ PN1 CIRCUIT DIAGRAM 002 (PM5D/PM5D-RH)

O N M L K J I H G F E D C

■ PN1 CIRCUIT DIAGRAM 003 (PM5D/PM5D-RH)

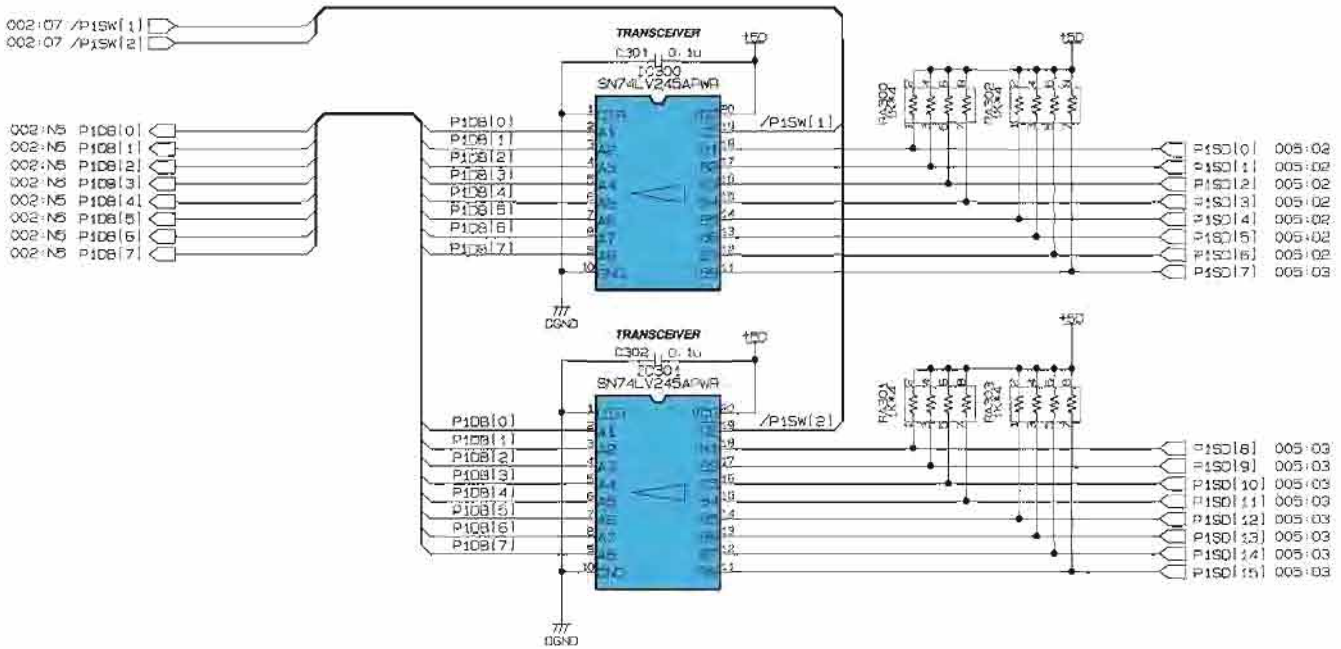


ENCODER (MATRIX 1-8, MIX 1-24)

■ PN1 CIRCUIT DIAGRAM 003 (PM5D/PM5D-RH)

■ PN1 CIRCUIT DIAGRAM 004 (PM5D/PM5D-RH)

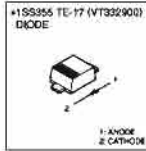
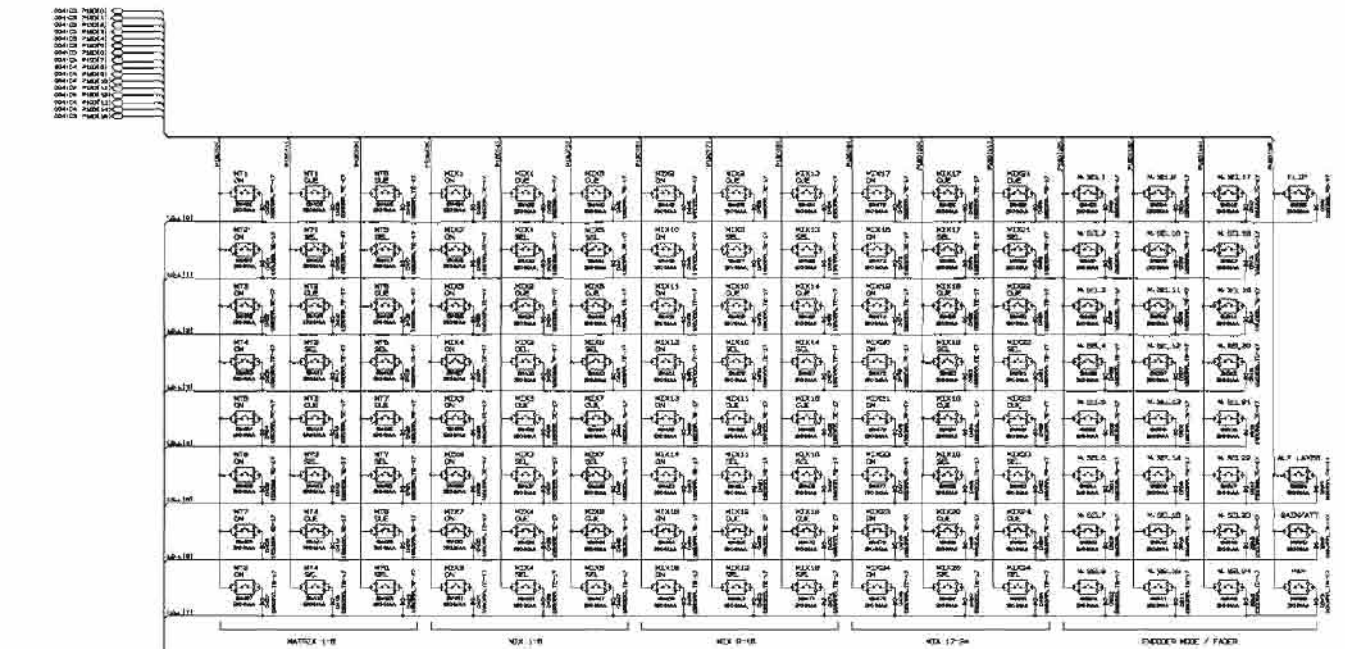
PM5D/PM5D-RH



SW SCAN (MATRIX 1-8, MIX 1-24, ENCODER MODE)
 ■ PN1 CIRCUIT DIAGRAM 004 (PM5D/PM5D-RH)

■ PN1 CIRCUIT DIAGRAM 005 (PM5D/PM5D-RH)

PM5D/PM5D-RH

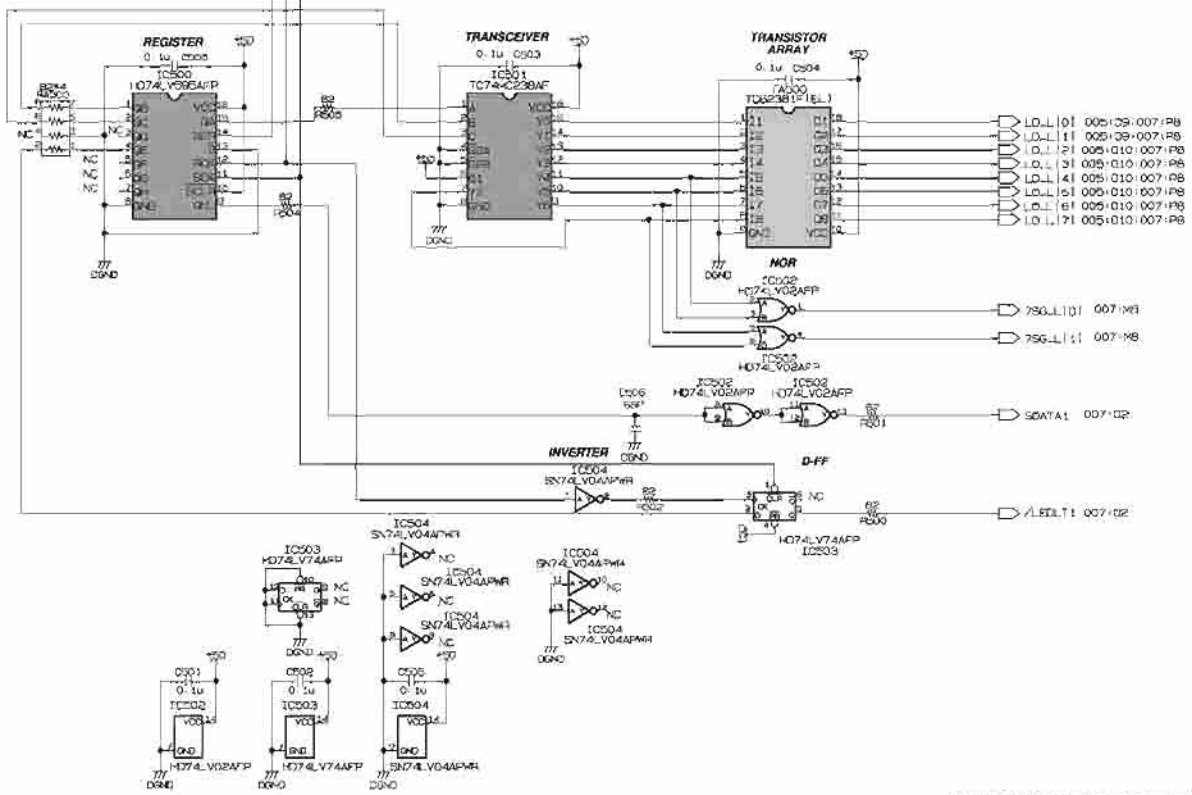


SW (MATRIX 1-6, MIX 1-24, ENCODER MODE/FADER)
■ PN1 CIRCUIT DIAGRAM 005 (PM5D/PM5D-RH)

PN1 CIRCUIT DIAGRAM 006 (PM5D/PM5D-RH)

PM5D/PM5D-RH

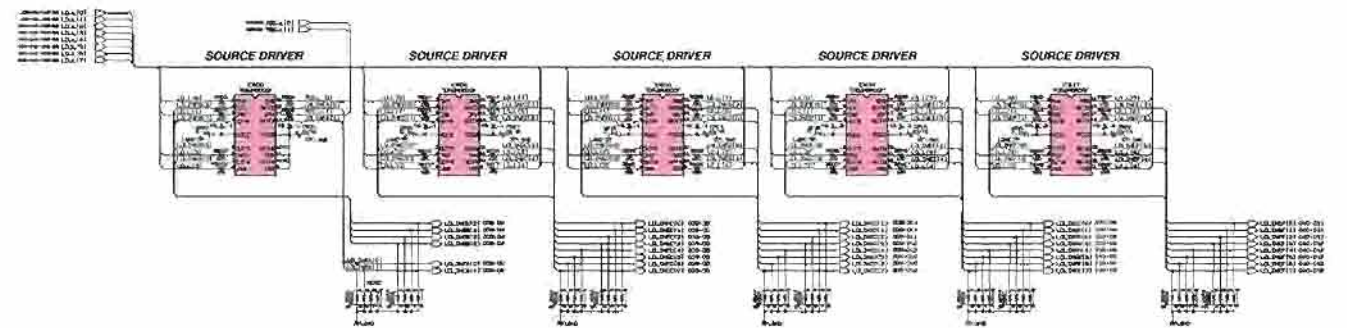
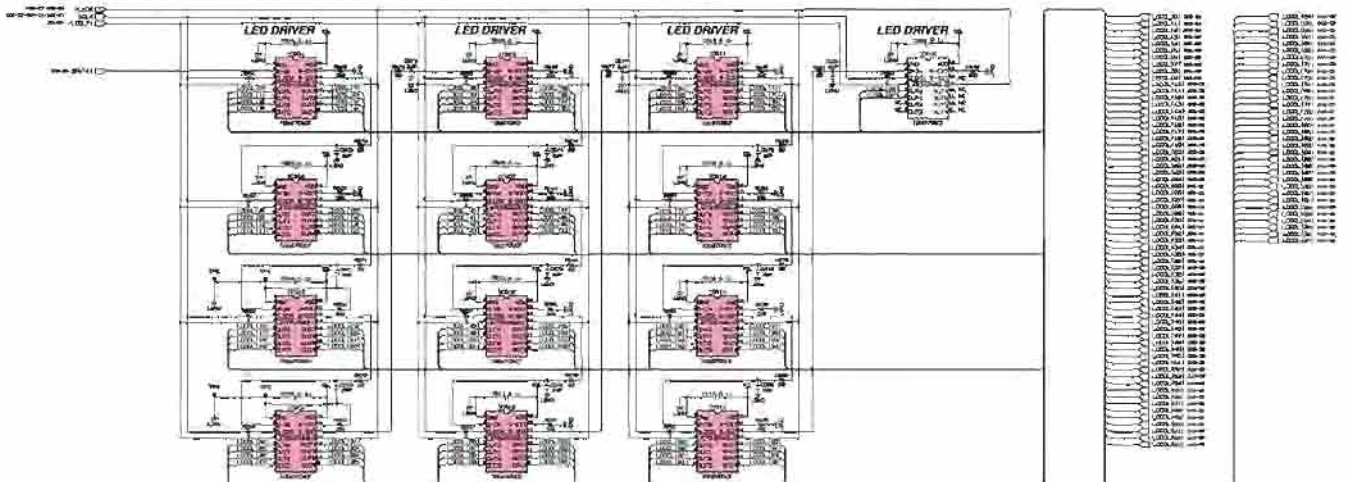
002:07:006:04:007:02 SELK
 002:07 FFLINE
 002:05 FFDATA1



P Q N M L K J I H G F E D C B A

■ PN1 CIRCUIT DIAGRAM 007 (PM5D/PM5D-RH)

PM5D/PM5D-RH



H G F E D C B A

PN1 CIRCUIT DIAGRAM 008 (PM5D/PM5D-RH)

PM5D/PM5D-RH

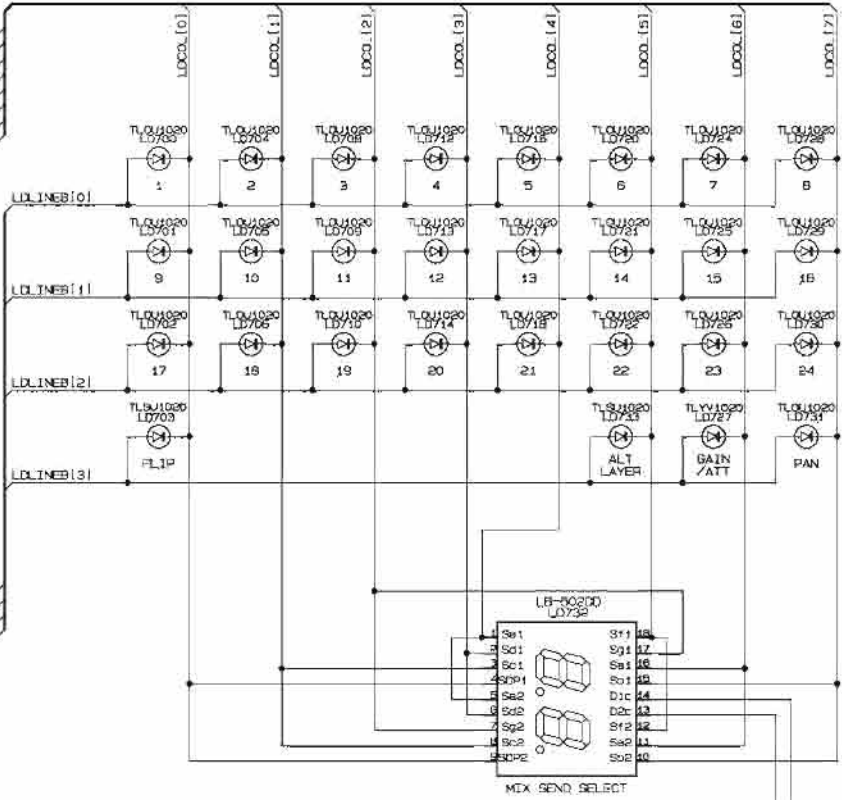
007-C2 LDCCL[0] 1
 007-C2 LDCCL[1] 1
 007-C2 LDCCL[2] 1
 007-C2 LDCCL[3] 1
 007-C2 LDCCL[4] 1
 007-C2 LDCCL[5] 1
 007-C2 LDCCL[6] 1
 007-C2 LDCCL[7] 1

TLOU1020	Orange
TL5U1020	Red
TLVY1020	Yellow
LB502-00	Orange

Note) LED emitting color

007-L10 LDLINB[0] 1
 007-L10 LDLINB[1] 1
 007-L10 LDLINB[2] 1
 007-L10 LDLINB[3] 1

007-L11 LDLINSA[0] 1
 007-L11 LDLINSA[1] 1

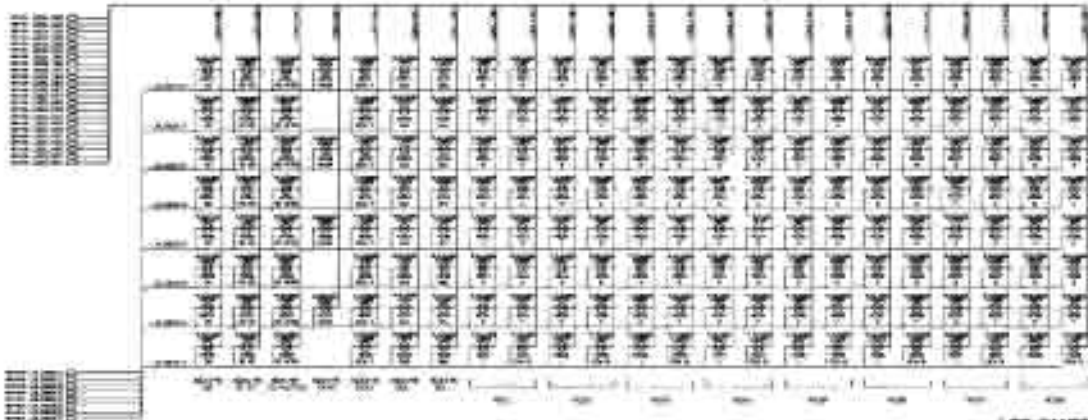
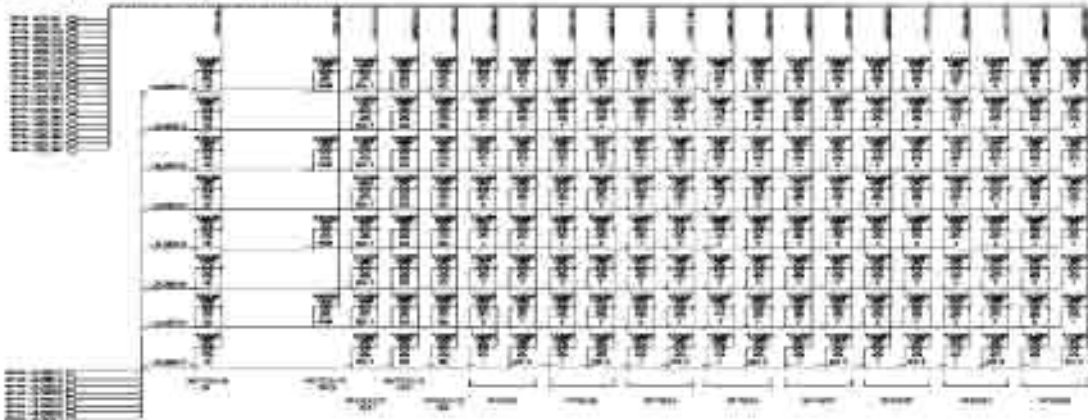


ENCODER MODE

F Q N M L K J I H G F E D C B A

■ PN1 CIRCUIT DIAGRAM 009 (PM5D/PM5D-RH)

PM5D/PM5D-RH

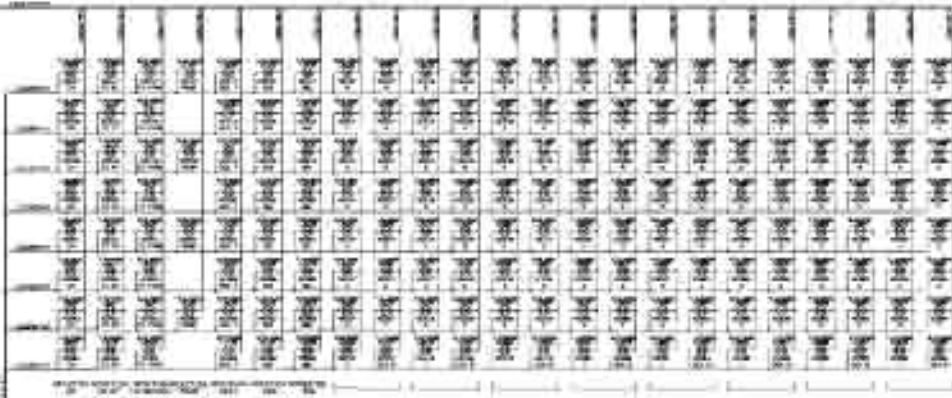
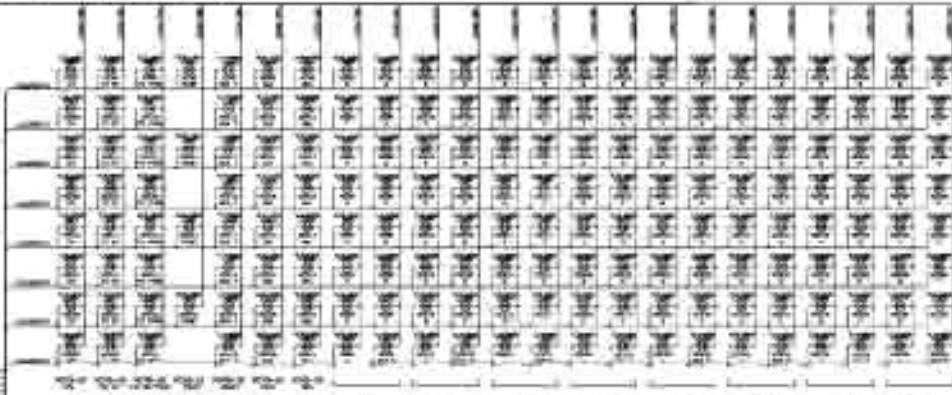


20C11-0001784

P O N M L K J I H G F E D C B A

■ PN1 CIRCUIT DIAGRAM 010 (PM5D/PM5D-RH)

PM5D/PM5D-RH



K

J

I

H

G

F

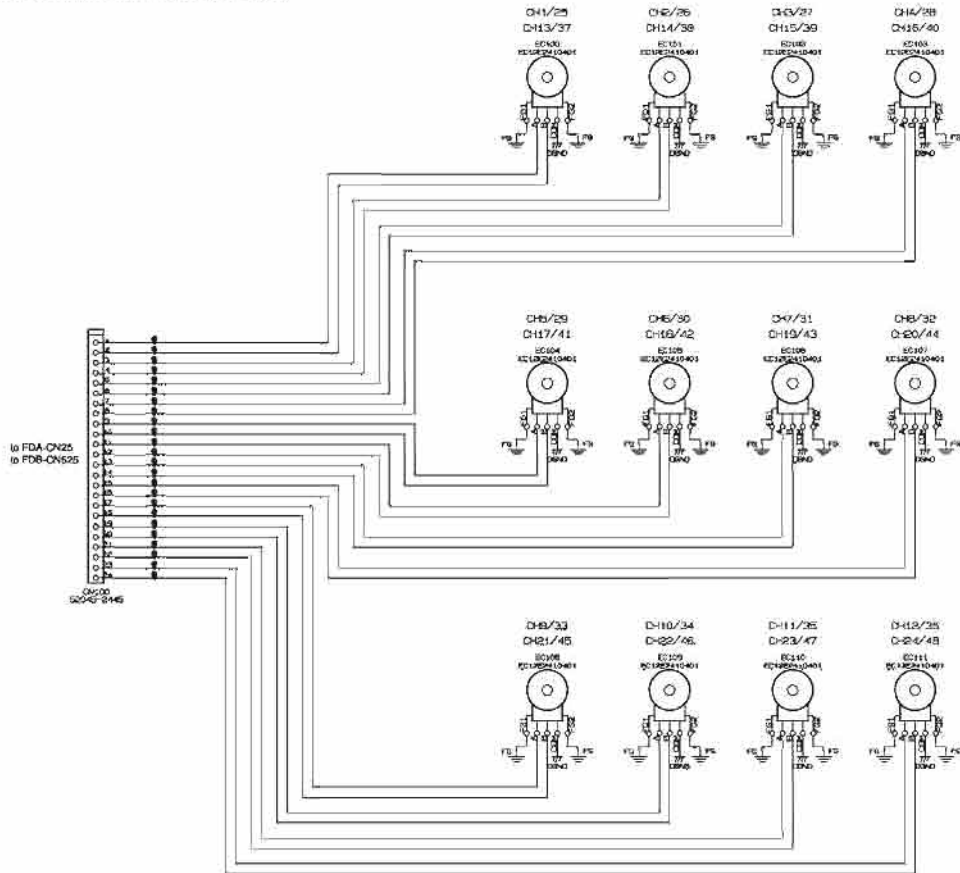
E

D

C

■ PN2 CIRCUIT DIAGRAM 002 (PM5D/PM5D-RH)

PM5D/PM5D-RH



28CC1-8830167-2

Encoder ■ PN2 CIRCUIT DIAGRAM 002 (PM5D/PM5D-RH)

H

G

F

E

D

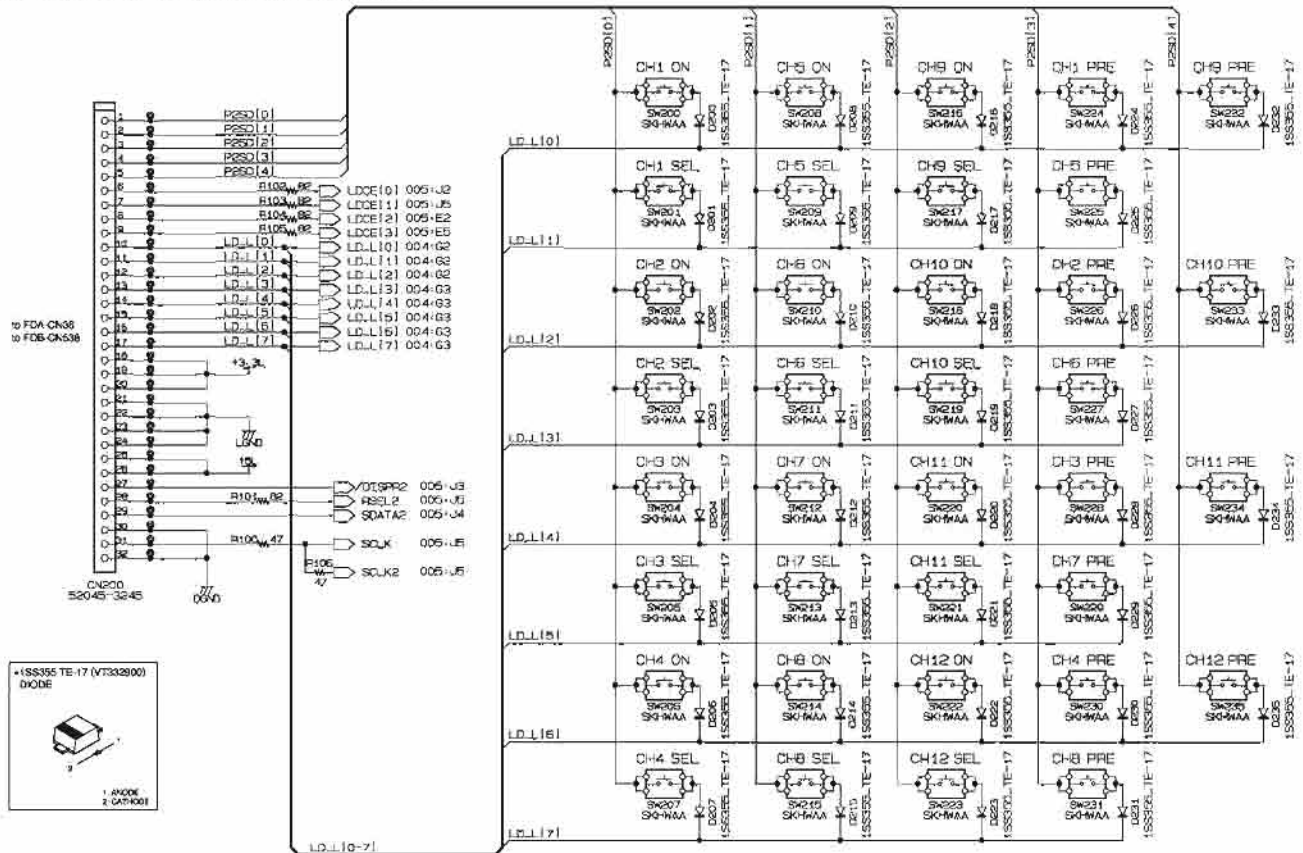
C

B

A

PN2 CIRCUIT DIAGRAM 003 (PM5D/PM5D-RH)

PM5D/PM5D-RH



SW (Channel Module)

PN2 CIRCUIT DIAGRAM 003 (PM5D/PM5D-RH)

H

G

F

E

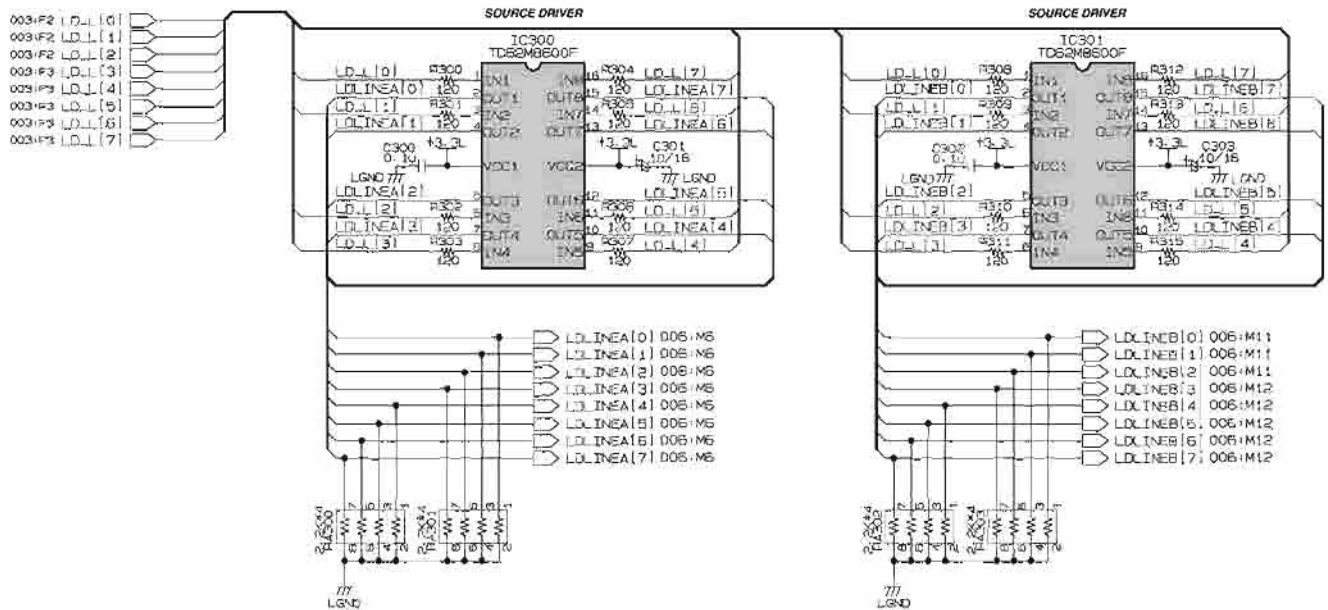
D

C

B

■ PN2 CIRCUIT DIAGRAM 004 (PM5D/PM5D-RH)

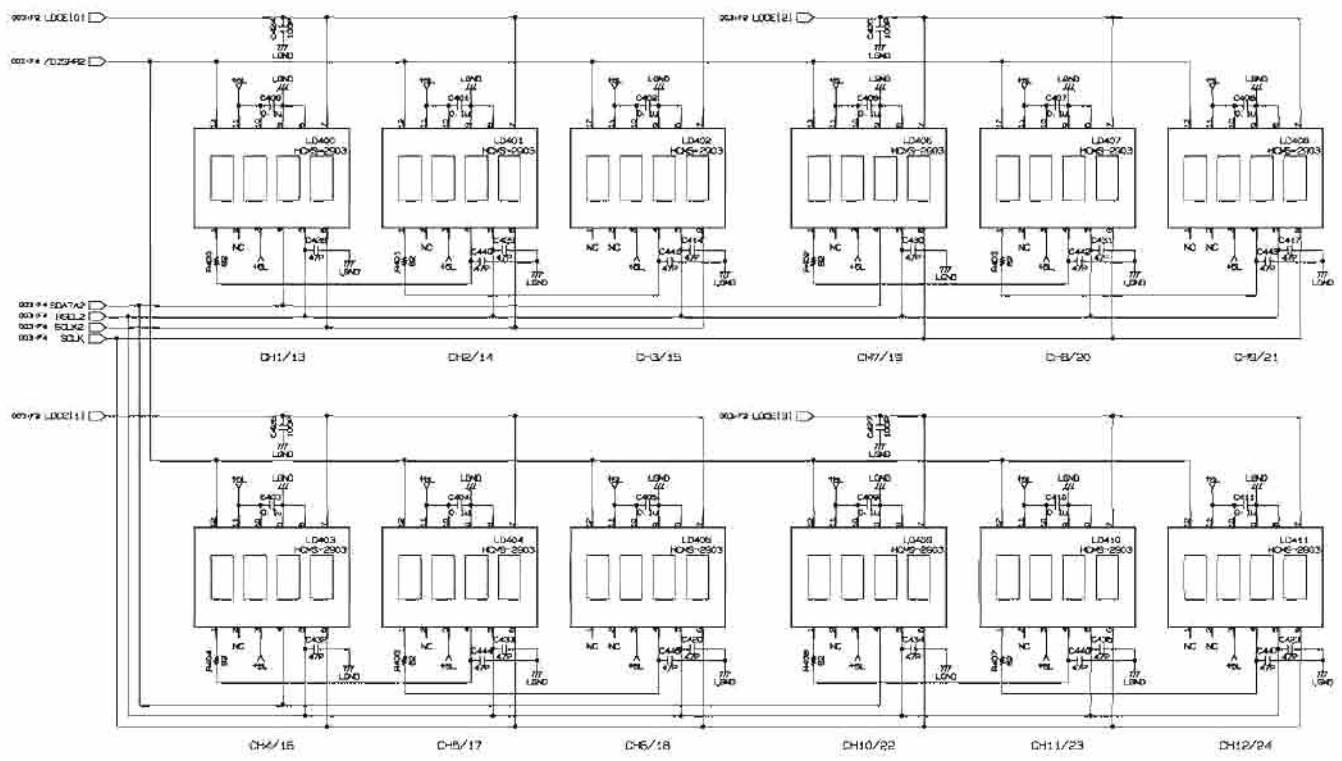
PM5D/PM5D-RH



K J I H G F E D C B

PN2 CIRCUIT DIAGRAM 005 (PM5D/PM5D-RH)

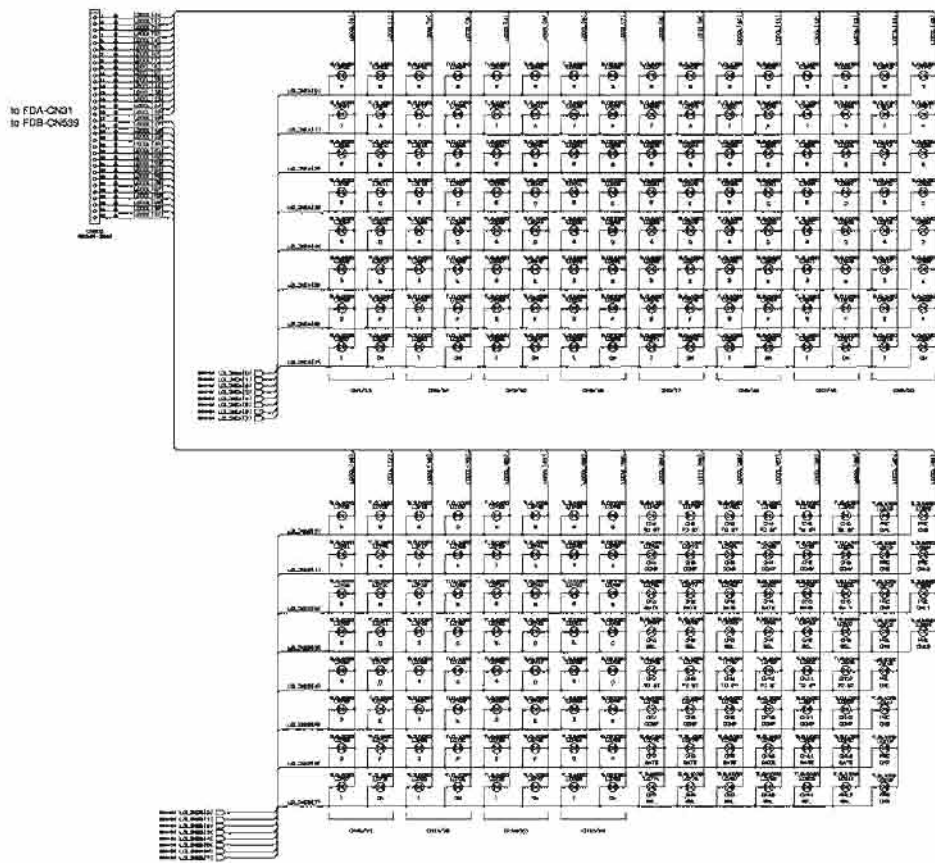
PM5D/PM5D-RH



P O N M L K J I H G F E D

■ PN2 CIRCUIT DIAGRAM 006 (PM5D/PM5D-RH)

PM5D/PM5D-RH



28CC1-8830167-8

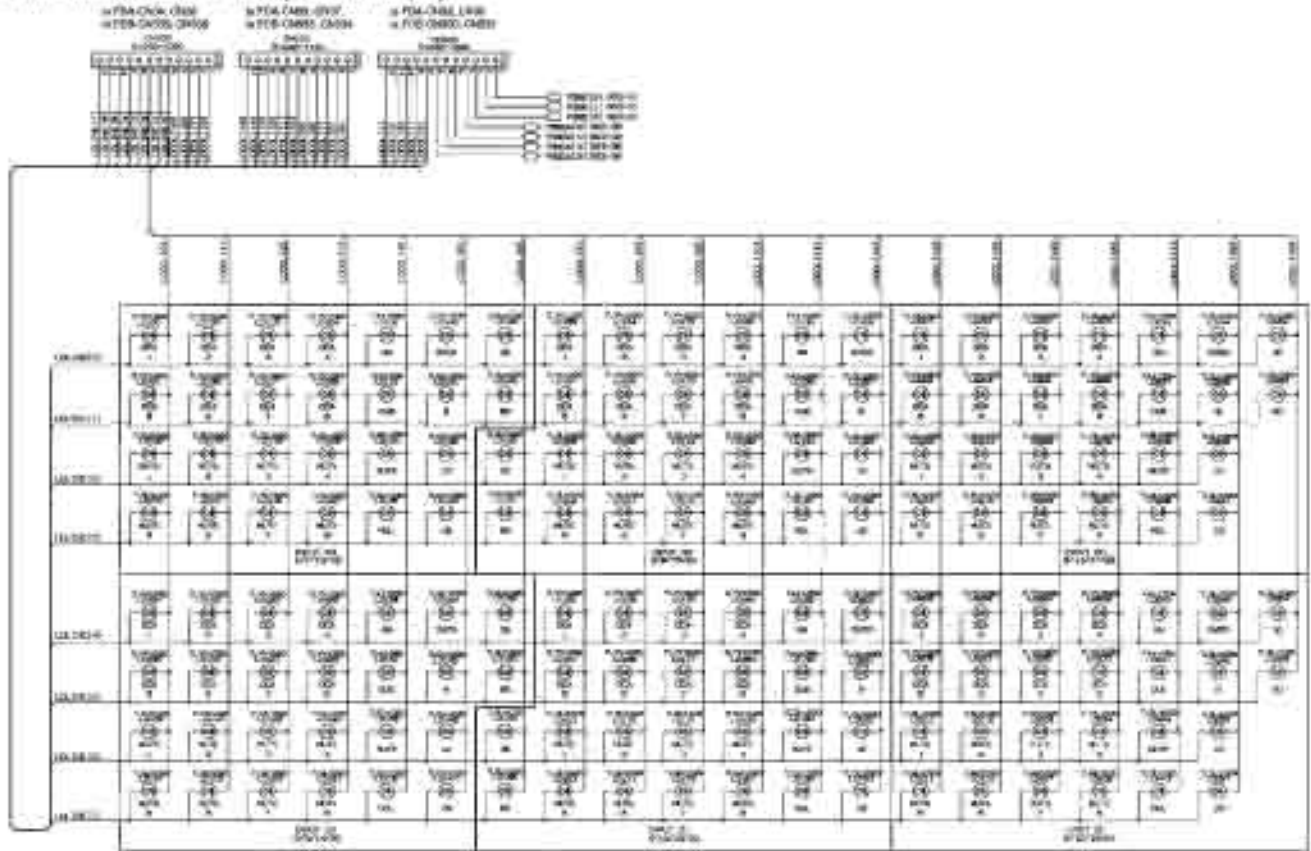
LED (Channel Module)
■ PN2 CIRCUIT DIAGRAM 006 (PM5D/PM5D-RH)

147

1
2
3
4
5
6
7
8
9
10
11
12

PN3 CIRCUIT DIAGRAM 002 (PM5D/PM5D-RH)

PM5D/PM5D-RH

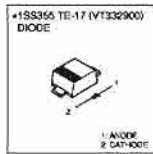
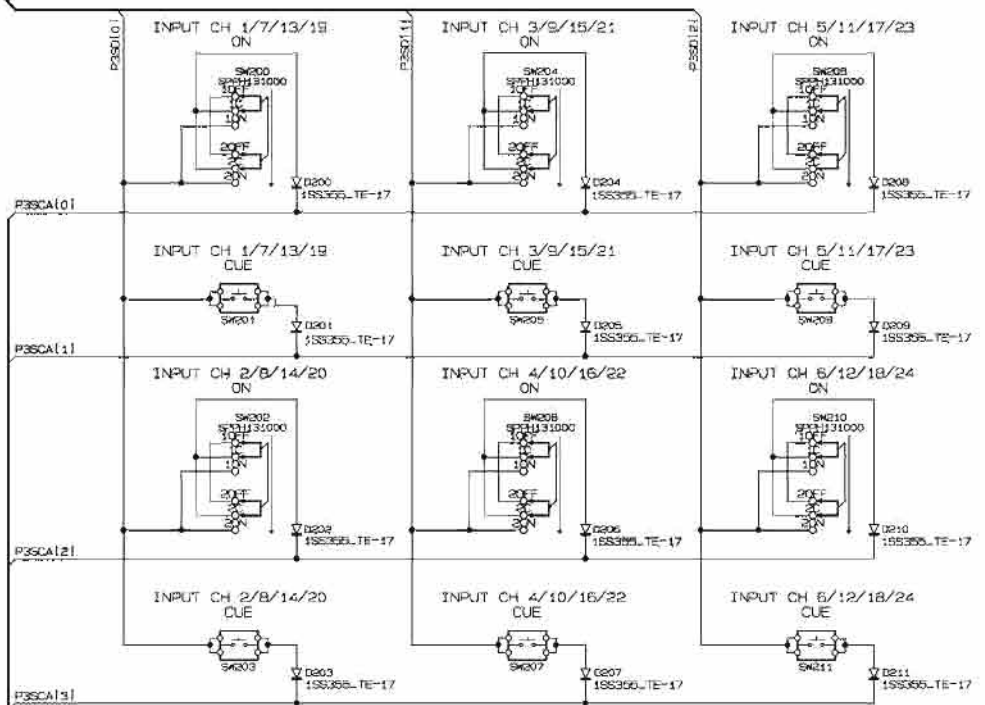


H G F E D C B A

■ PN3 CIRCUIT DIAGRAM 003 (PM5D/PM5D-RH)

PM5D/PM5D-RH

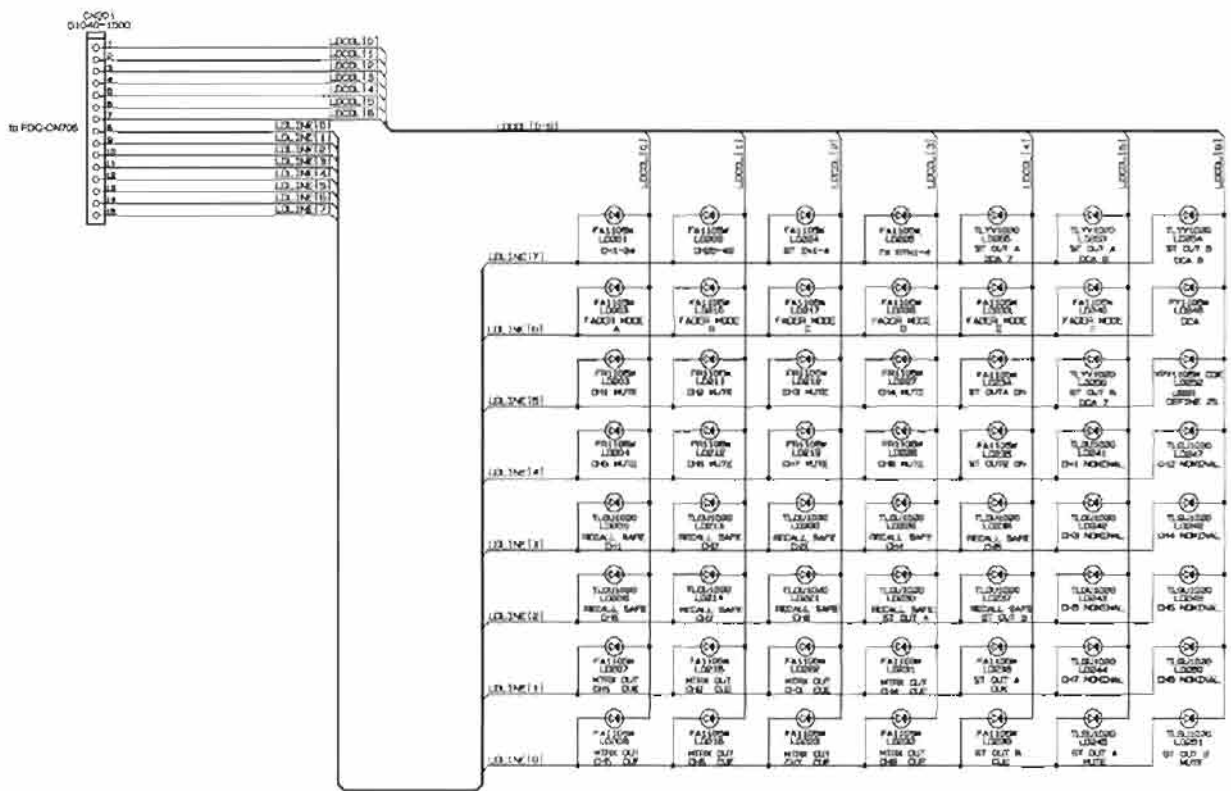
002-G2 P3SD10
002-G2 P3SD11
002-G2 P3SD12



002-G2 P3SCA10
002-G2 P3SCA11
002-G2 P3SCA12
002-G2 P3SCA31

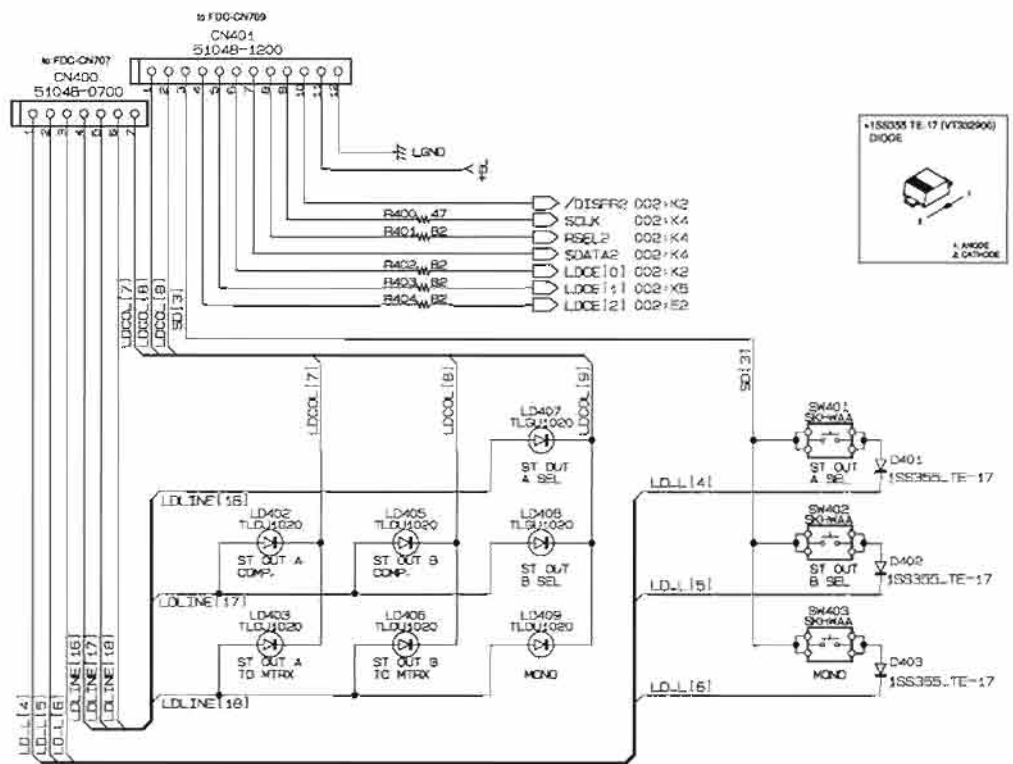
PN4 CIRCUIT DIAGRAM 002 (PM5D/PM5D-RH)

PM5D/PM5D-RH



■ PN5 CIRCUIT DIAGRAM 003 (PM5D/PM5D-RH)

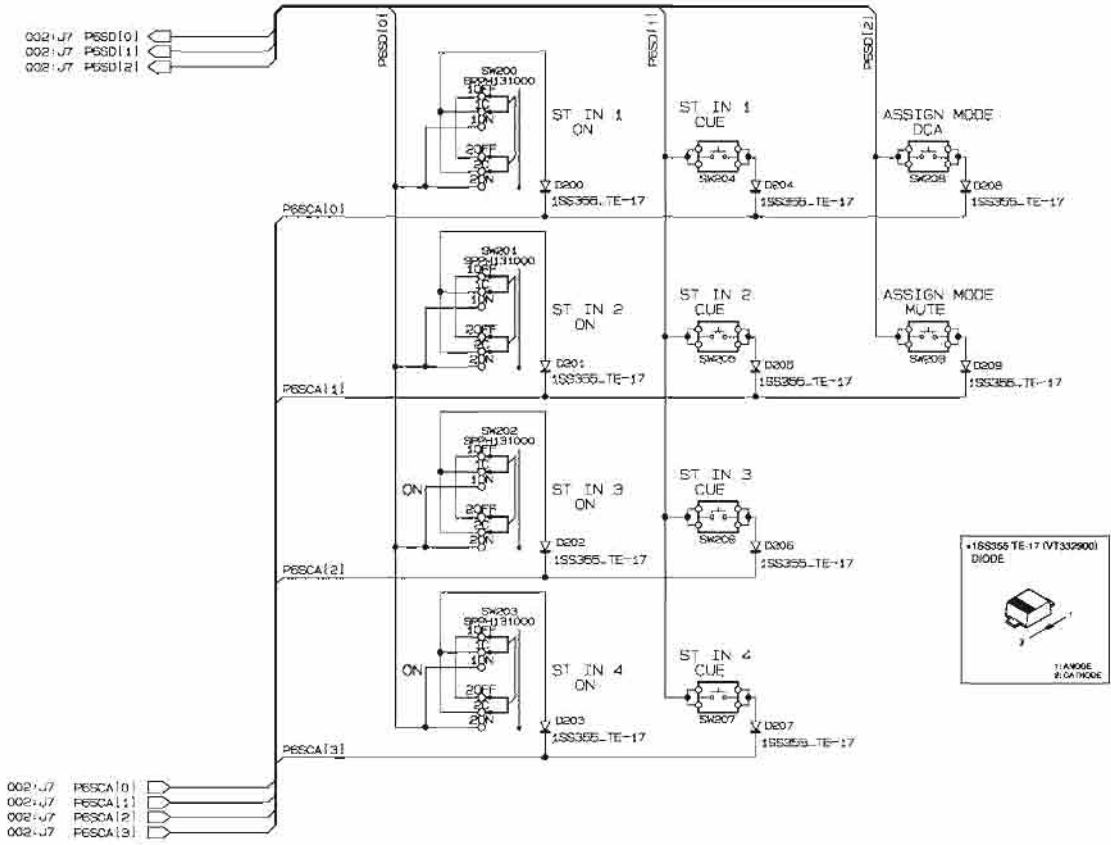
PM5D/PM5D-RH



ST Master

■ PN6 CIRCUIT DIAGRAM 003 (PM5D/PM5D-RH)

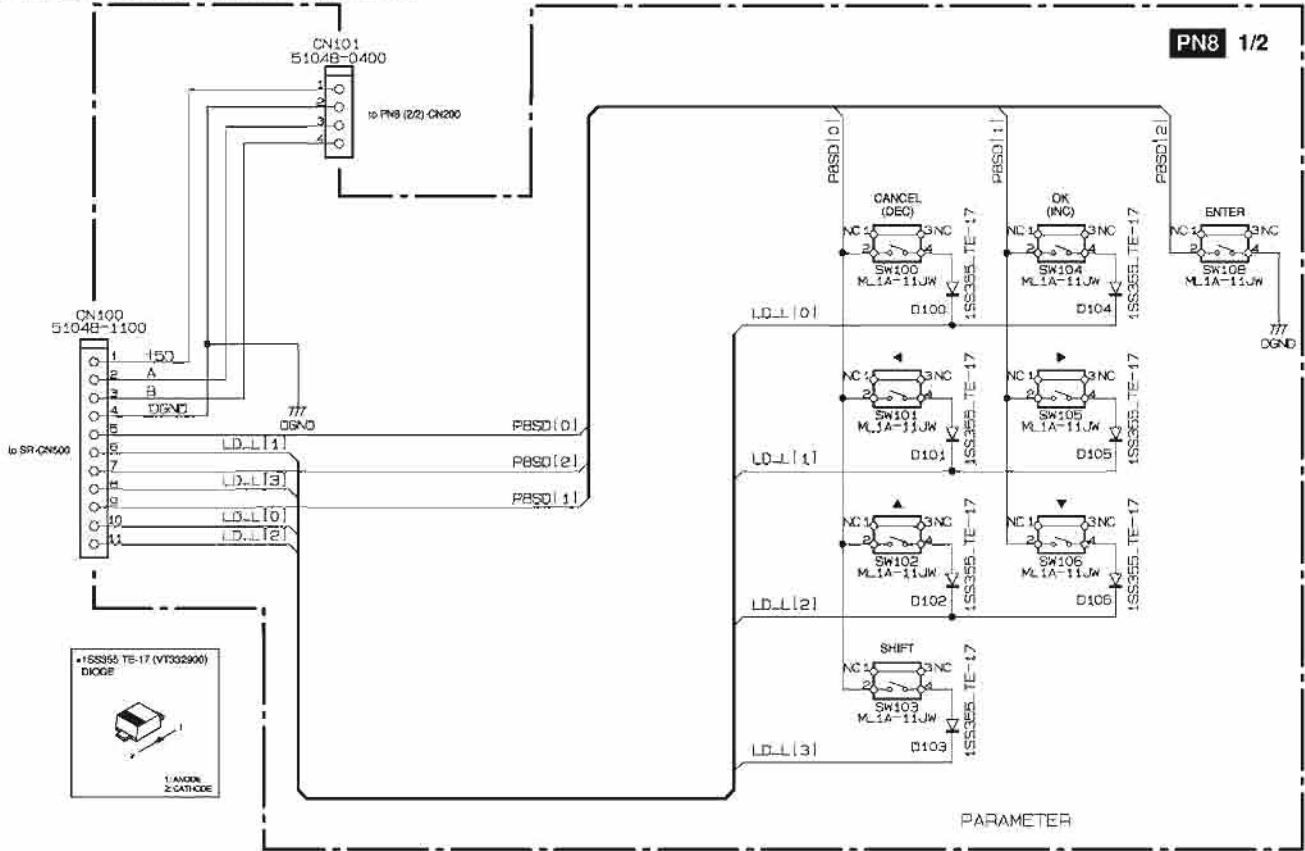
PM5D/PM5D-RH



■ PN8 CIRCUIT DIAGRAM 001 (PM5D/PM5D-RH)

PM5D/PM5D-RH

PN8 1/2



D

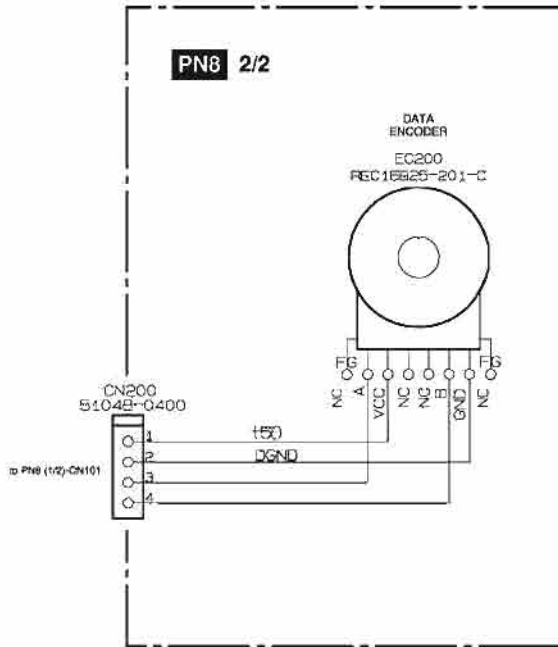
C

B

A

■ PN8 CIRCUIT DIAGRAM 002 (PM5D/PM5D-RH)

PM5D/PM5D-RH



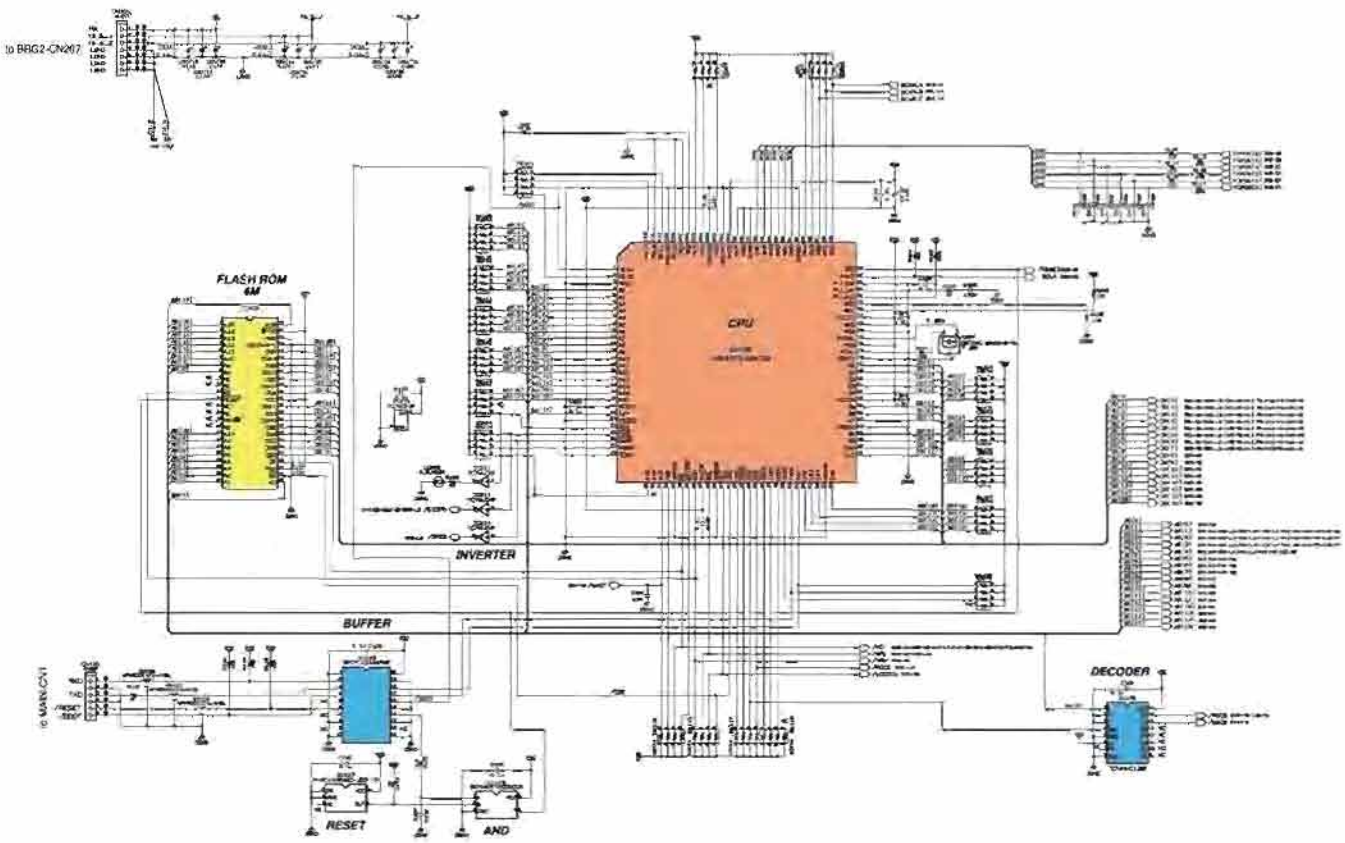
2

3

4

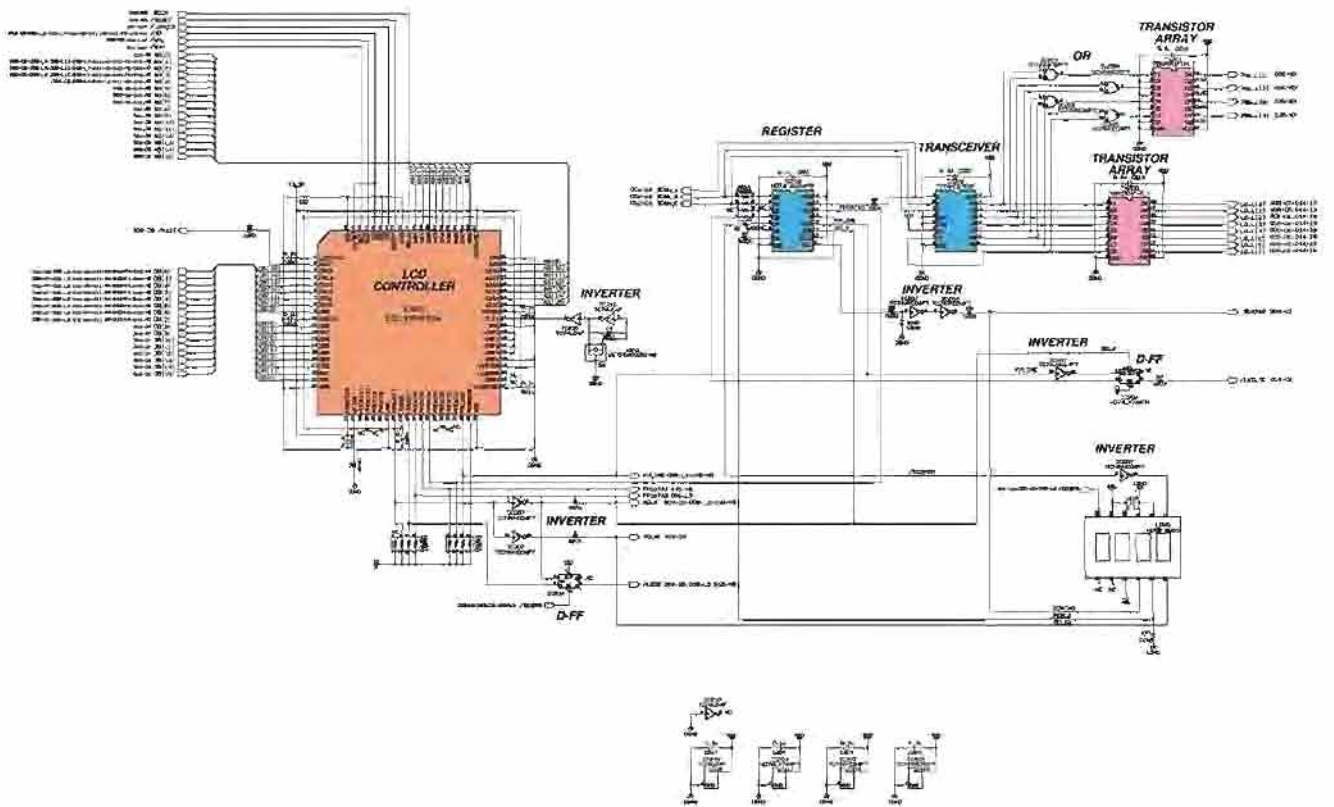
■ SL CIRCUIT DIAGRAM 002 (PM5D/PM5D-RH)

PM5D/PM5D-RH



■ SL CIRCUIT DIAGRAM 003 (PM5D/PM5D-RH)

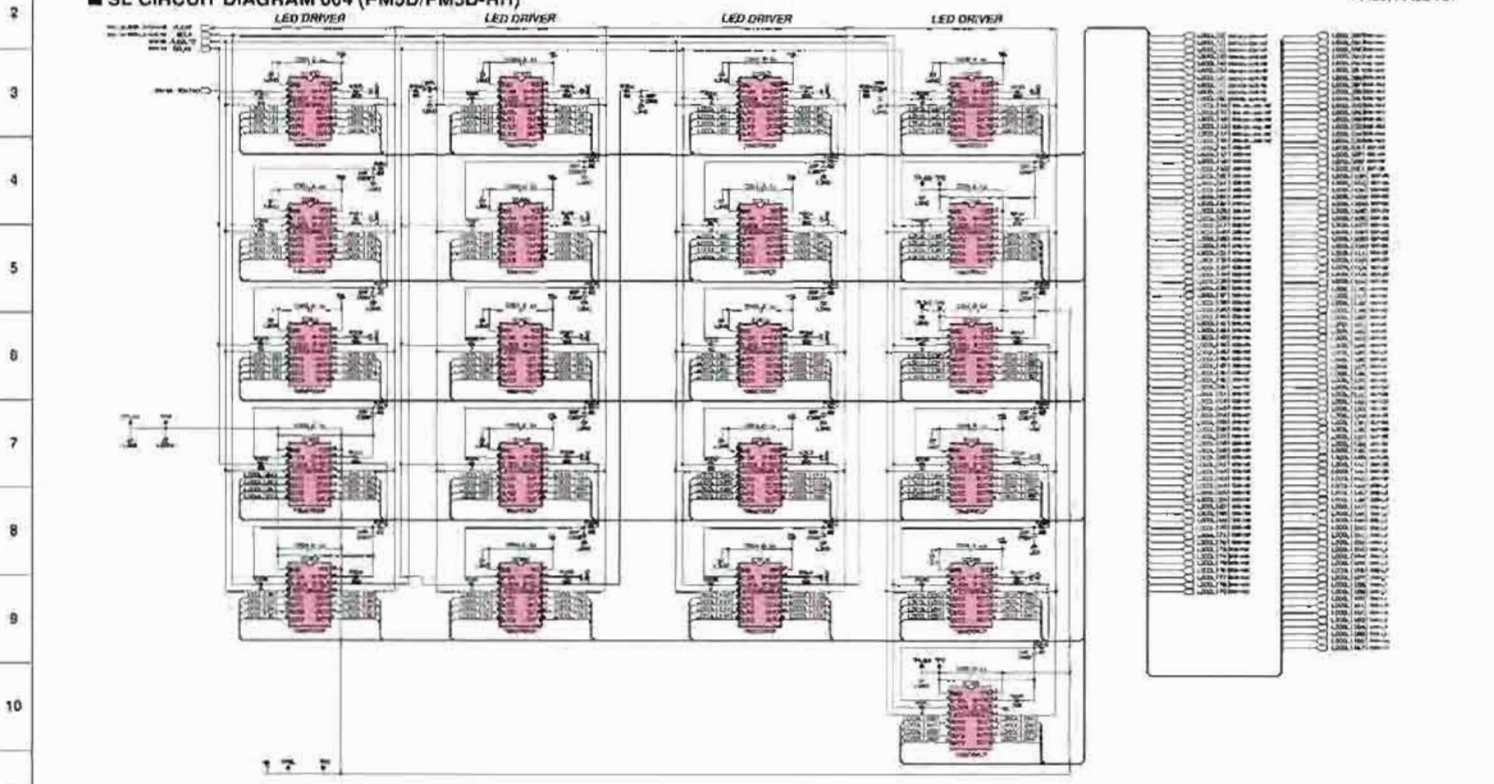
PM5D/PM5D-RH



P O N M L K J I H G F E D C B A

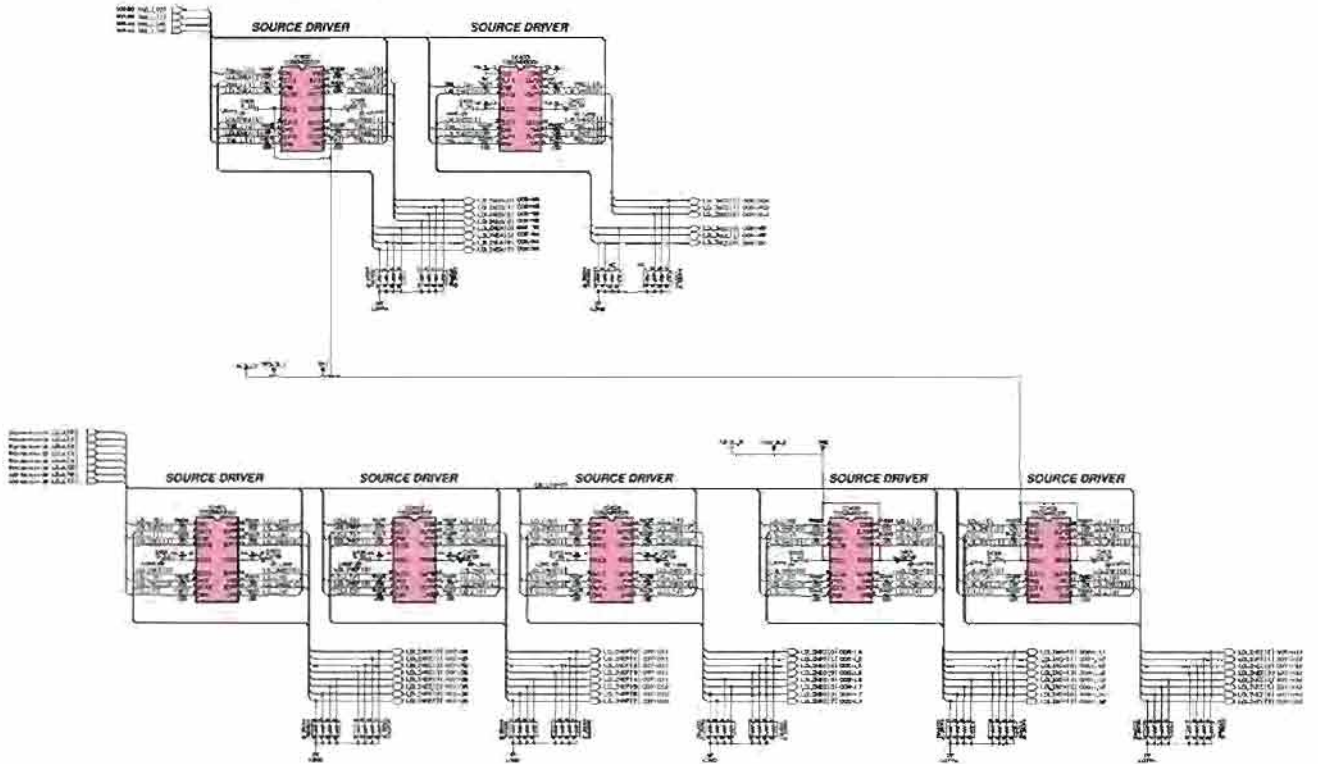
■ SL CIRCUIT DIAGRAM 004 (PM5D/PM5D-RH)

PM5D/PM5D-RH



■ SL CIRCUIT DIAGRAM 005 (PM5D/PM5D-RH)

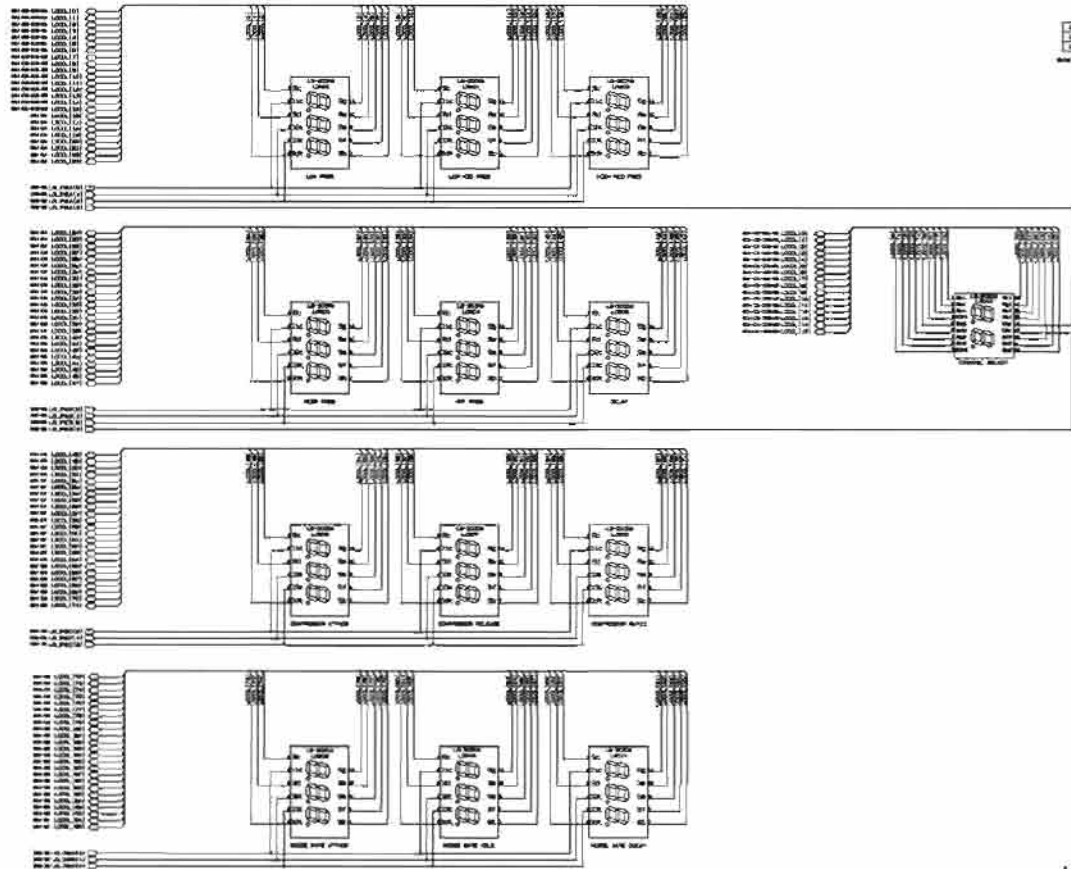
PM5D/PM5D-RH



O N M L K J I H G F E D C B A

■ SL CIRCUIT DIAGRAM 006 (PM5D/PM5D-RH)

PM5D/PM5D-RH

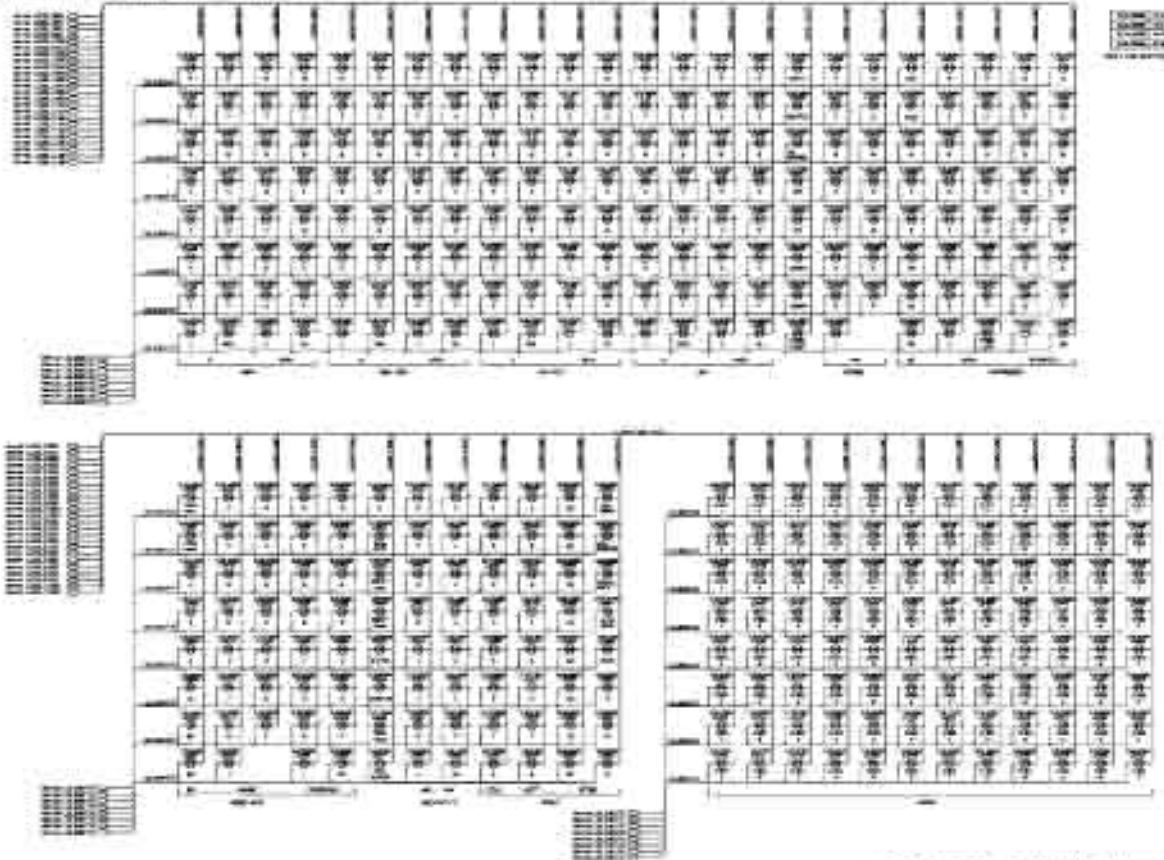


LA 8000 (PM5D)
LA 8000 (PM5D-RH)
LA 8000 (PM5D-RH)
www.la-8000.com

LED 7seg (SELECTED CHANNEL)
■ SL CIRCUIT DIAGRAM 006 (PM5D/PM5D-RH)

■ SL CIRCUIT DIAGRAM 007 (PM5D/PM5D-RH)

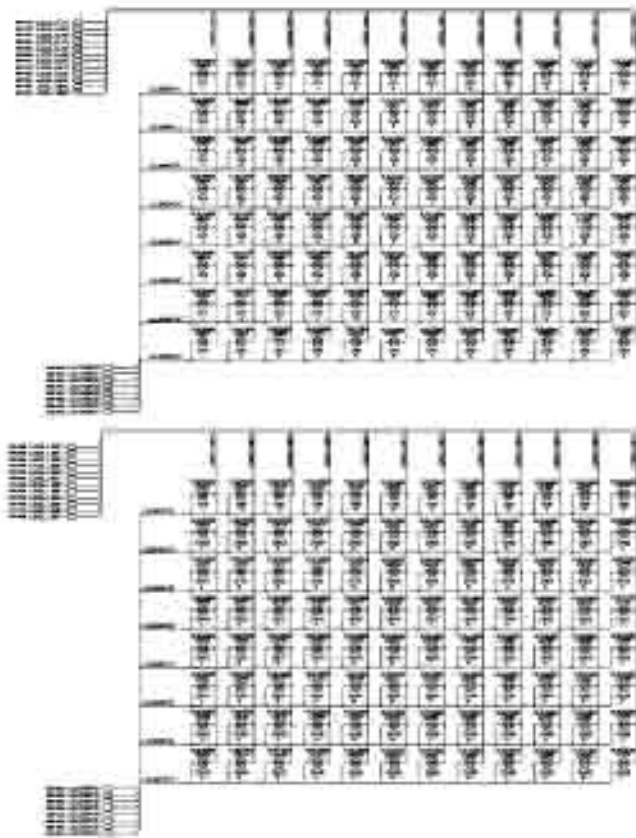
PM5D/PM5D-RH



G F G H H L K J I H G F E D C B A

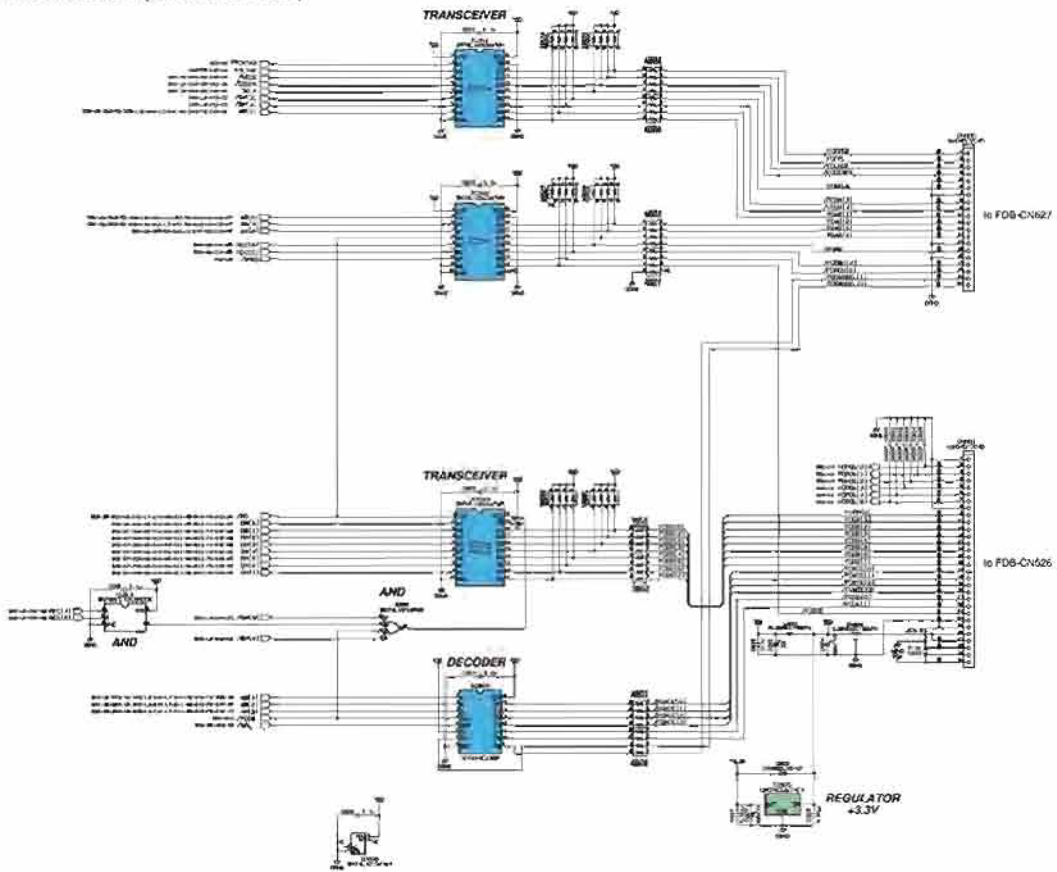
■ SL CIRCUIT DIAGRAM 008 (PM5D/PM5D-RH)

PM5D/PM5D-RH



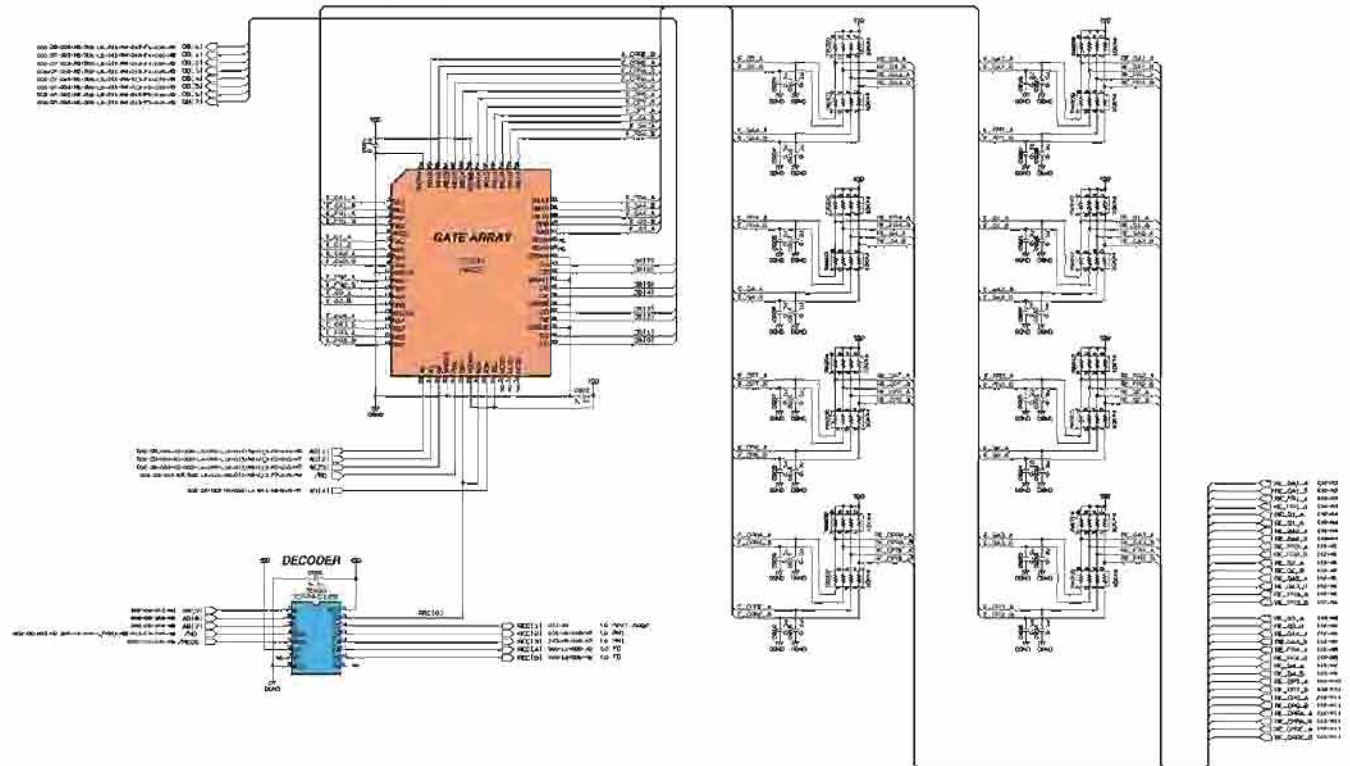
■ SL CIRCUIT DIAGRAM 009 (PM5D/PM5D-RH)

PM5D/PM5D-RH



■ SL CIRCUIT DIAGRAM 010 (PM5D/PM5D-RH)

PM5D/PM5D-RH

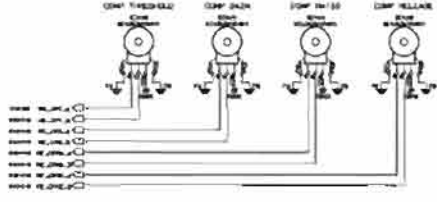
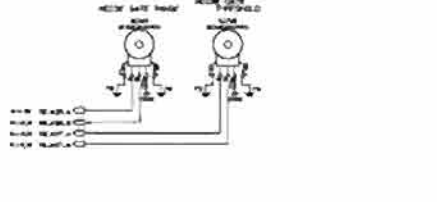
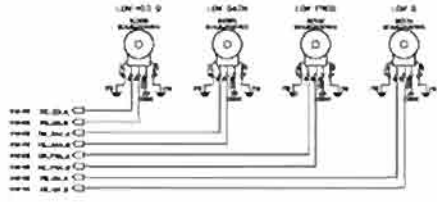
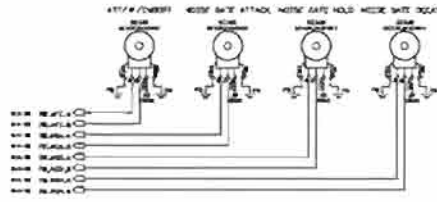
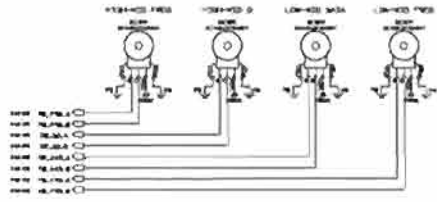
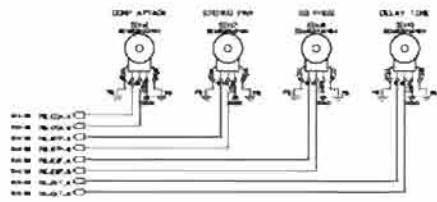
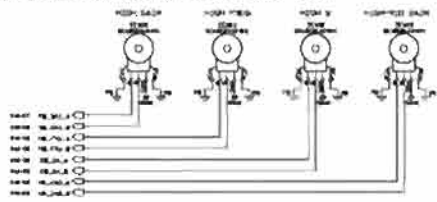


ENCODER SCAN (SELECTED CHANNEL 1/2)
 ■ SL CIRCUIT DIAGRAM 010 (PM5D/PM5D-RH)

O N M L K J I H G F E D C B

■ SL CIRCUIT DIAGRAM 012 (PM5D/PM5D-RH)

PM5D/PM5D-RH



2
3
4
5
6
7
8
9
10
11

H

G

F

E

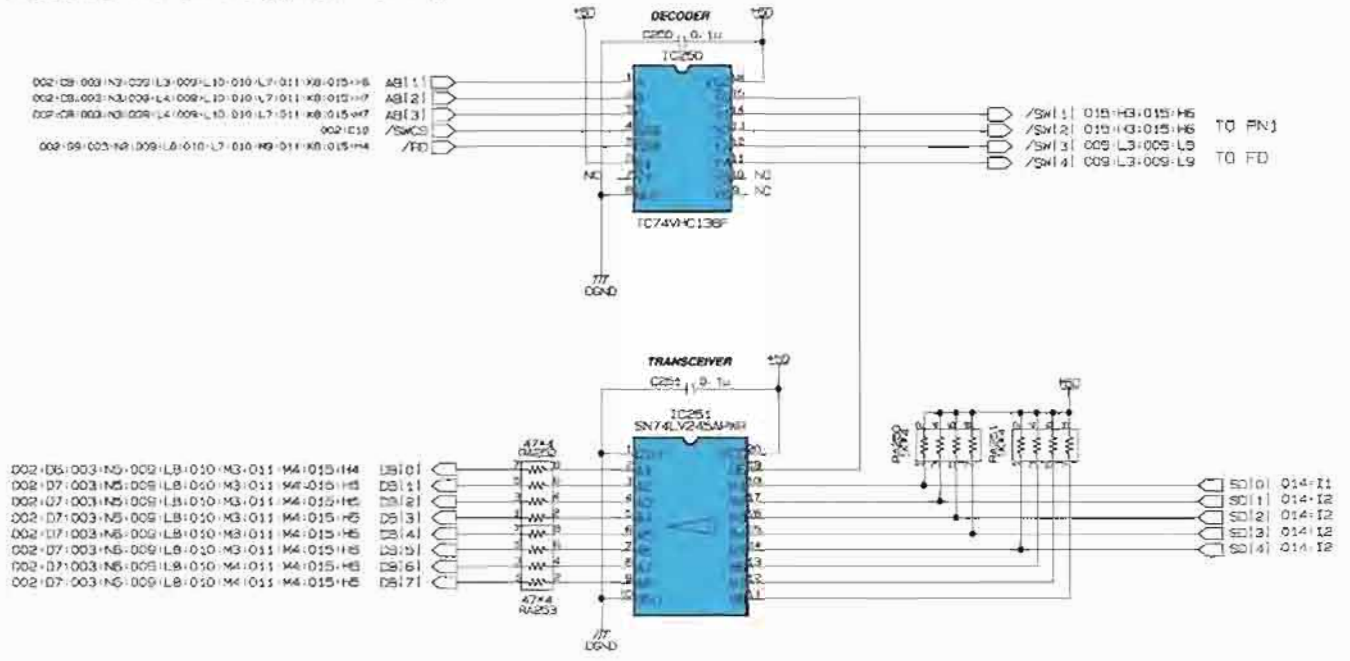
D

C

B

■ SL CIRCUIT DIAGRAM 013 (PM5D/PM5D-RH)

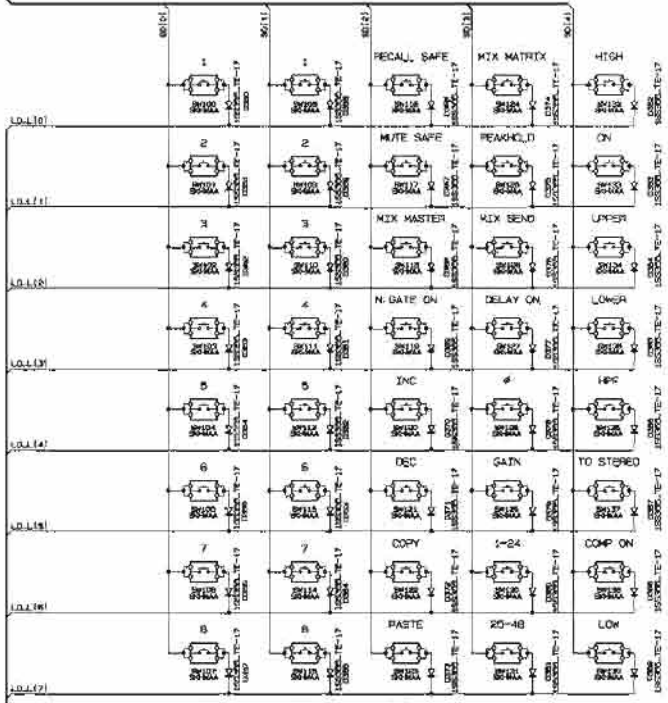
PM5D/PM5D-RH



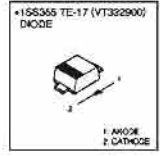
■ SL CIRCUIT DIAGRAM 014 (PM5D/PM5D-RH)

PM5D/PM5D-RH

013-04 50(01)
013-04 50(11)
013-04 50(21)
013-04 50(31)
013-04 50(41)

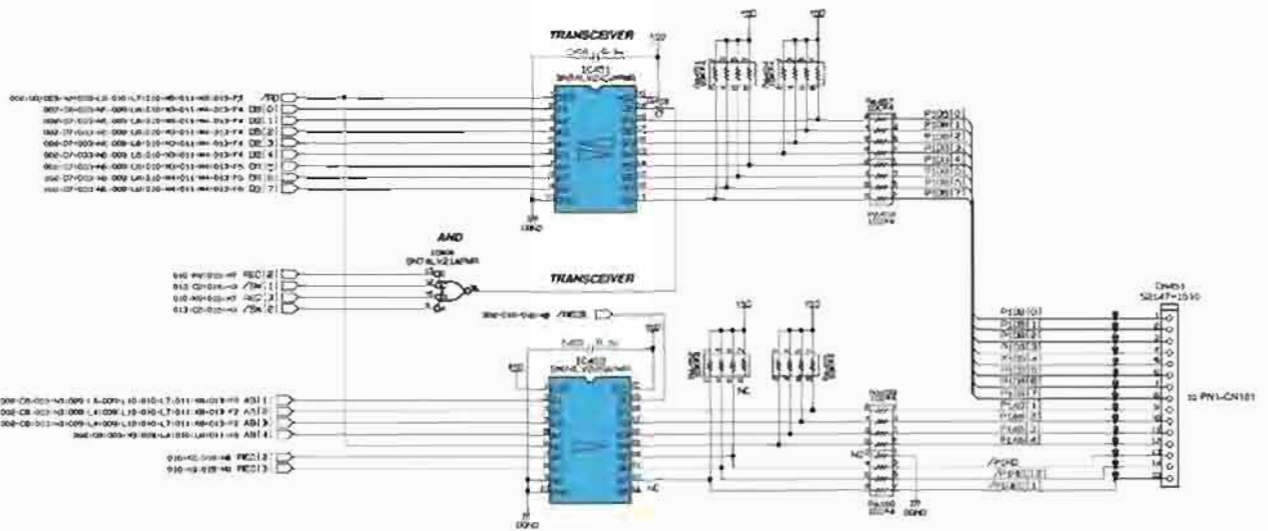
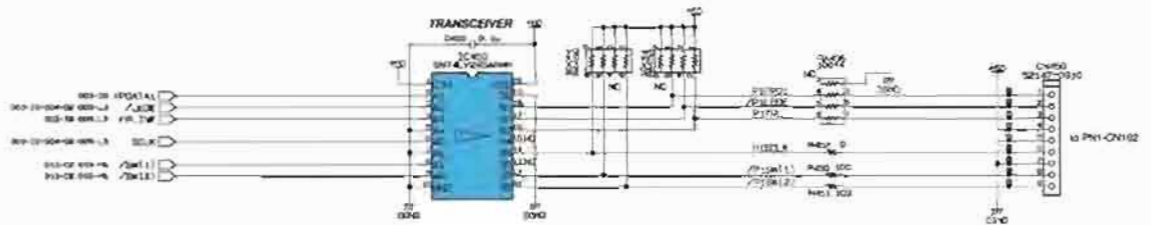


003-04 003-07 L.D.L.10
003-04 003-08 L.D.L.11
003-05 003-08 L.D.L.12
003-05 003-08 L.D.L.13
003-05 003-08 L.D.L.14
003-05 003-08 L.D.L.15
003-05 003-08 L.D.L.16
003-05 003-08 L.D.L.17



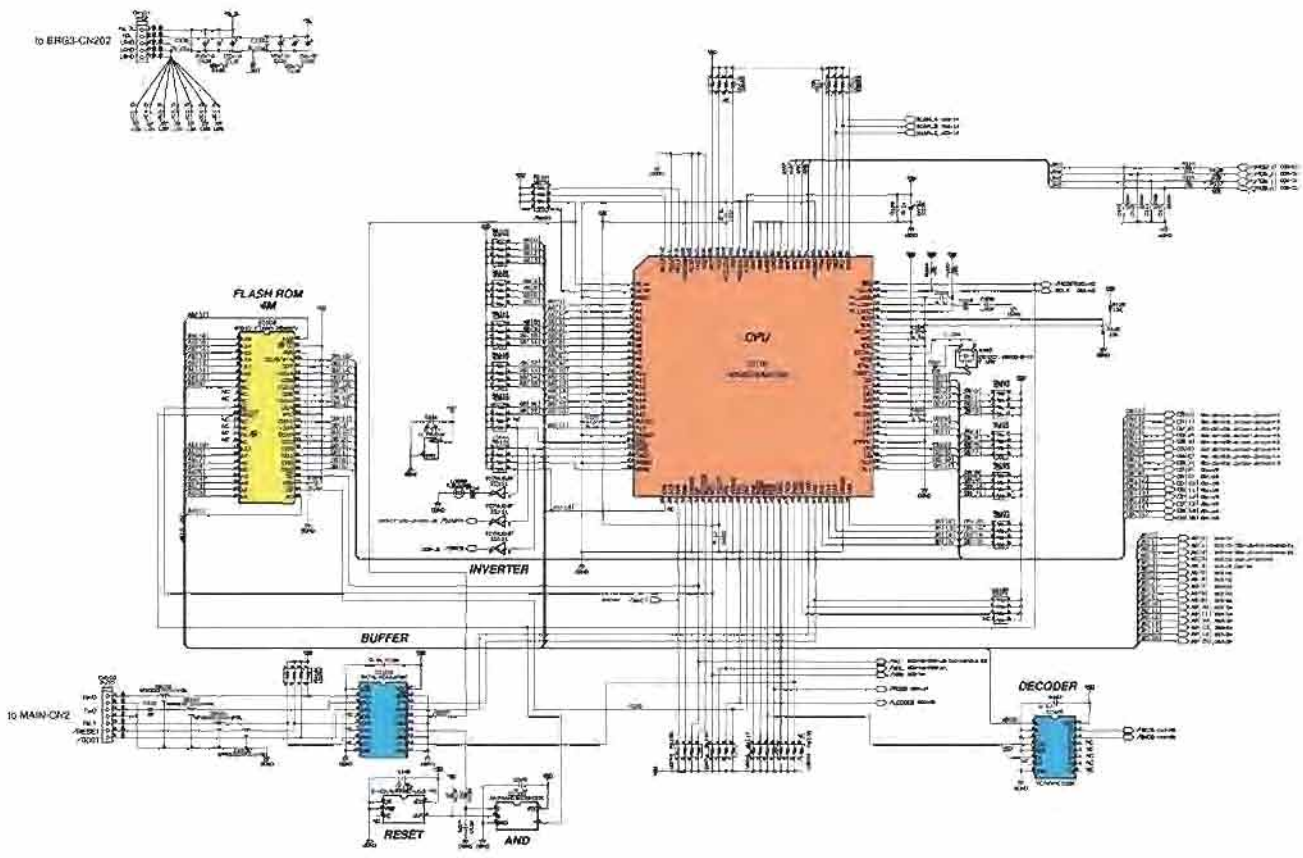
■ SL CIRCUIT DIAGRAM 015 (PM5D/PM5D-RH)

PM5D/PM5D-RH



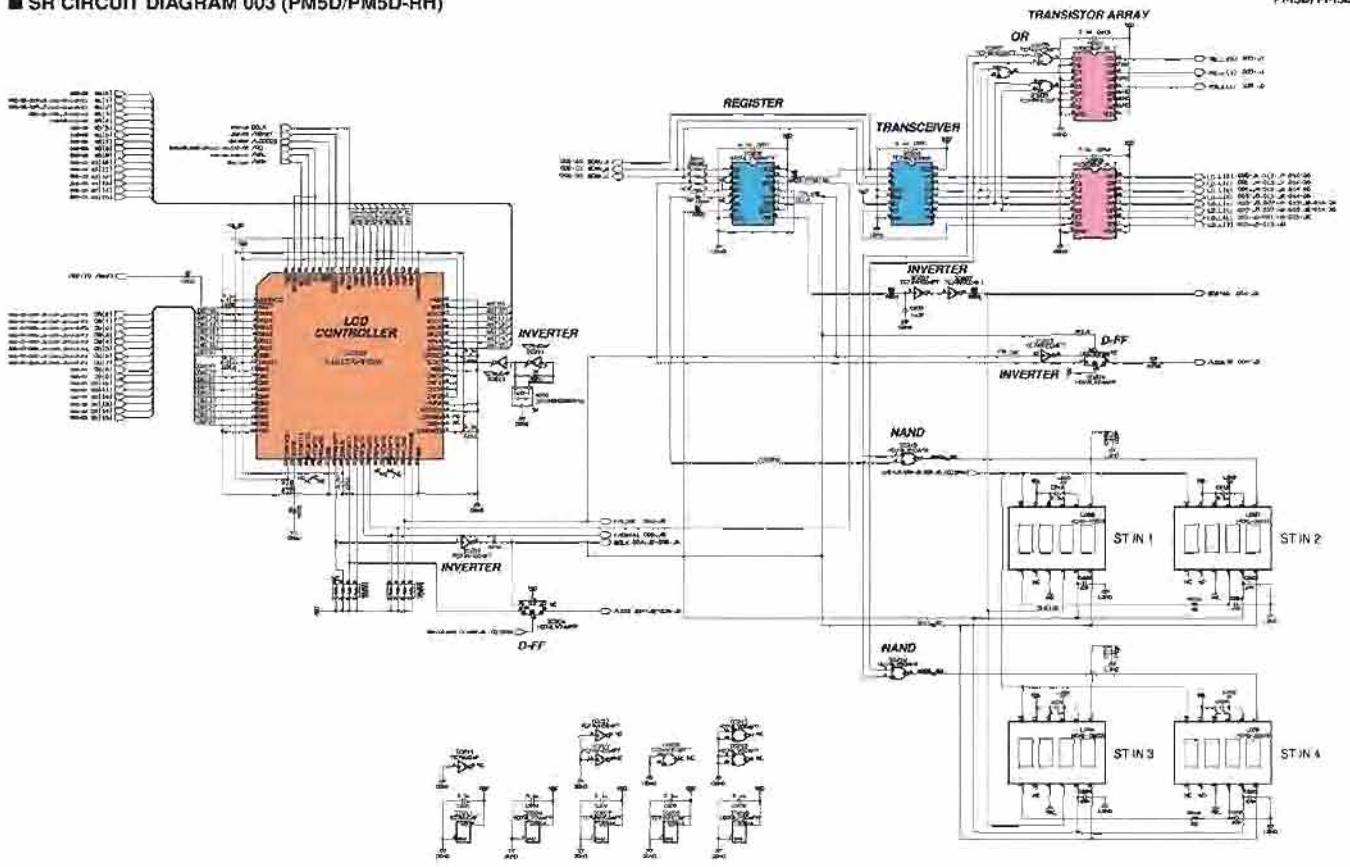
SR CIRCUIT DIAGRAM 002 (PM5D/PM5D-RH)

PM5D/PM5D-RH



■ SR CIRCUIT DIAGRAM 003 (PM5D/PM5D-RH)

PM5D/PM5D-RH

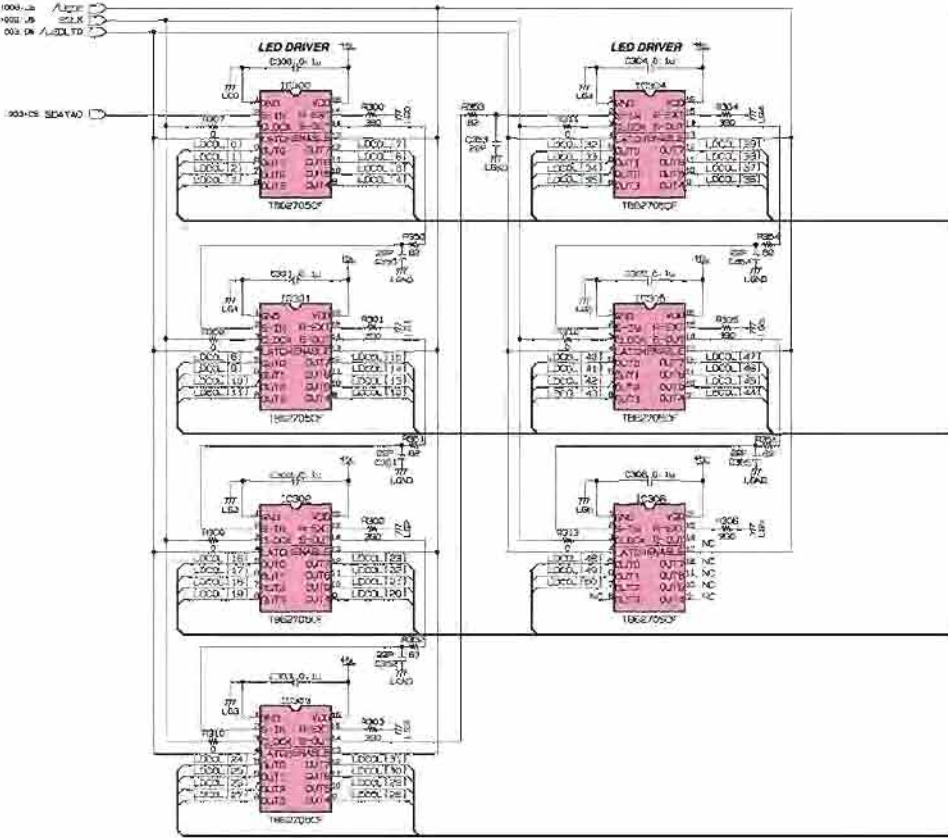


K J I H G F E D C B

SR CIRCUIT DIAGRAM 004 (PM5D/PM5D-RH)

PM5D/PM5D-RH

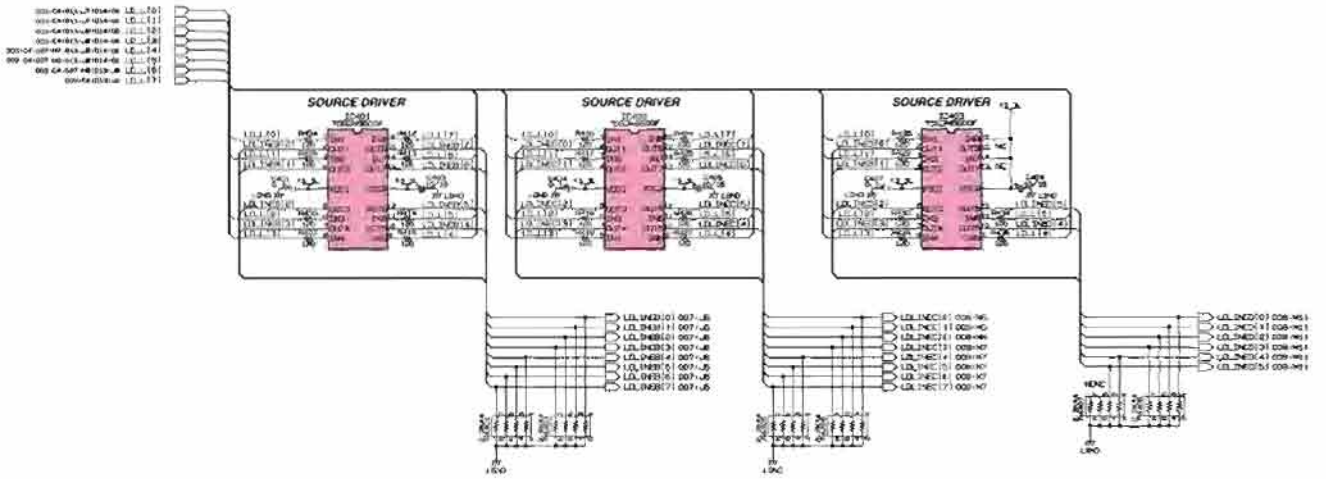
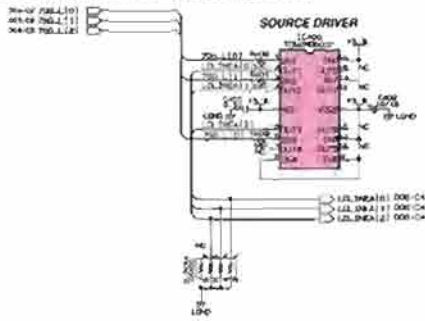
003-11000-1A ALZ
 003-11001-5 SLX
 003-11002-10 SLD



L000	01	306-02
L000	01	306-02
L000	02	306-01
L000	03	306-02
L000	04	006-02
L000	05	306-06
L000	06	006-03
L000	07	006-02
L000	08	307-02
L000	09	307-02
L000	10	307-02
L000	11	307-02
L000	12	307-02
L000	13	307-02
L000	14	307-02
L000	15	307-02
L000	16	307-02
L000	17	307-02
L000	18	307-02
L000	19	307-02
L000	20	307-02
L000	21	307-02
L000	22	307-02
L000	23	307-02
L000	24	306-02
L000	25	306-02
L000	26	306-02
L000	27	306-02
L000	28	306-02
L000	29	306-02
L000	30	306-02
L000	31	306-02
L000	32	306-02
L000	33	306-02
L000	34	306-02
L000	35	306-02
L000	36	306-02
L000	37	306-02
L000	38	306-02
L000	39	306-02
L000	40	306-02
L000	41	306-02
L000	42	306-02
L000	43	306-02
L000	44	306-02
L000	45	306-02
L000	46	306-02
L000	47	306-02
L000	48	307-02
L000	49	307-02
L000	50	307-02

■ SR CIRCUIT DIAGRAM 005 (PM5D/PM5D-RH)

PM5D/PM5D-RH



D

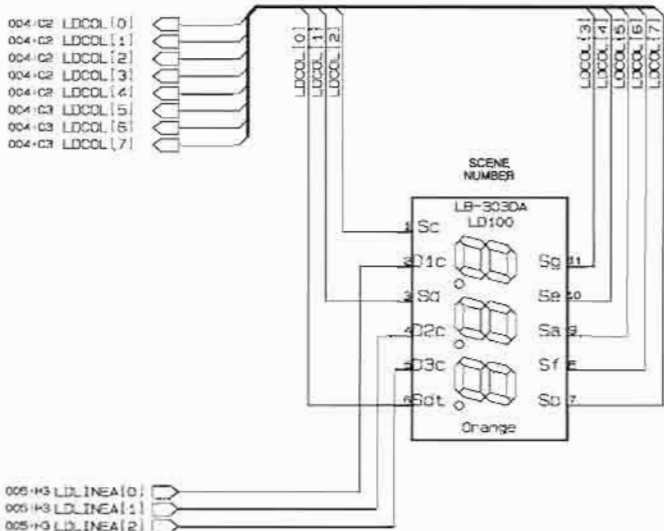
C

B

A

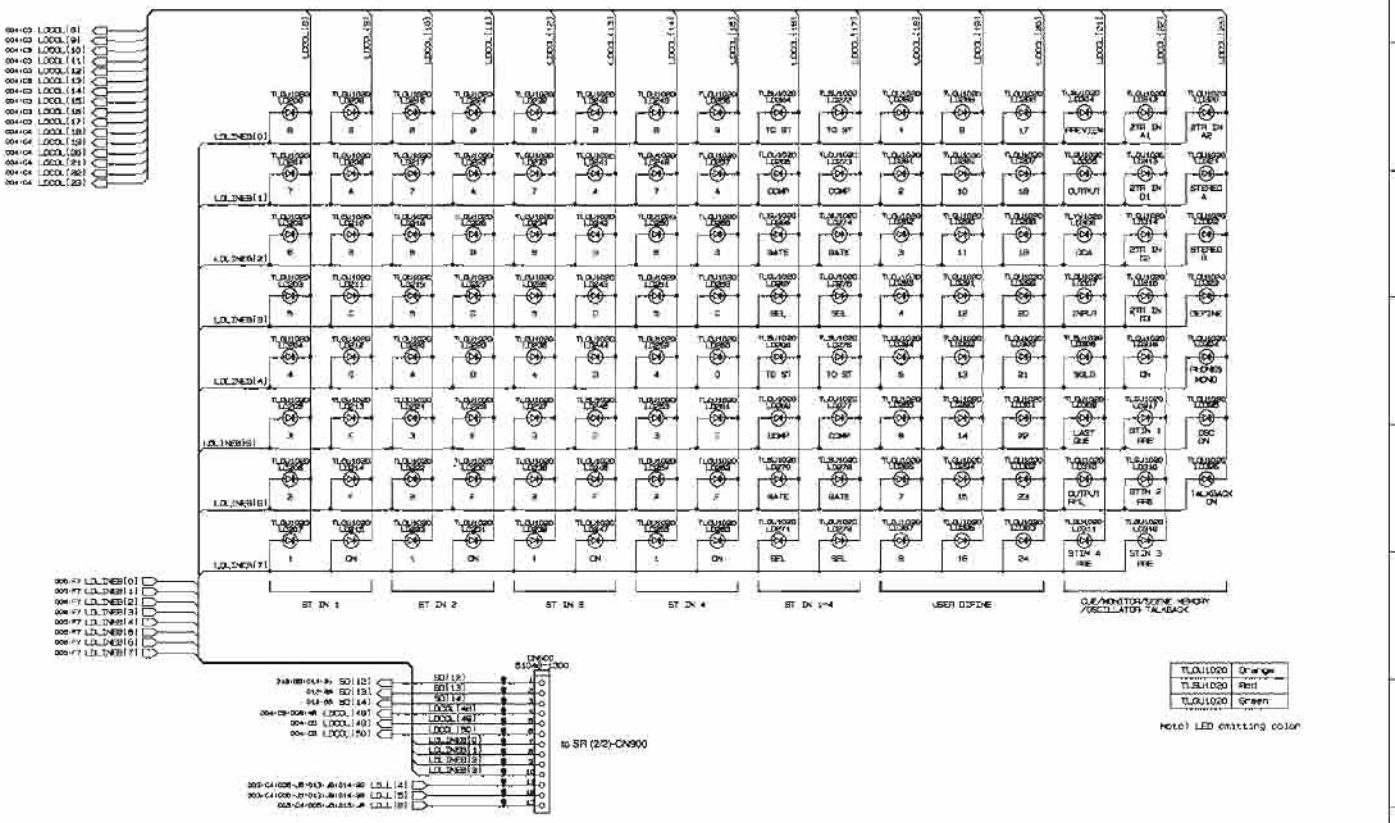
SR CIRCUIT DIAGRAM 006 (PM5D/PM5D-RH)

PM5D/PM5D-RH



■ SR CIRCUIT DIAGRAM 007 (PM5D/PM5D-RH)

PM5D/PM5D-RH

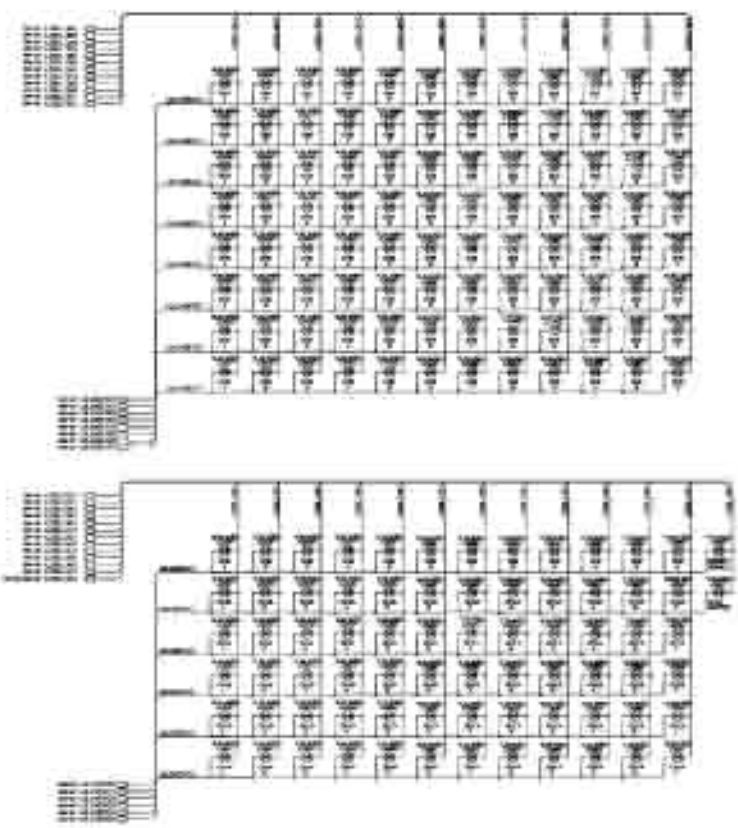


28CC1-8830218-7

LED (ST IN 1-4, CUE, MONITOR, OSCILLATOR, TALKBACK, SCENE MEMORY)
 ■ SR CIRCUIT DIAGRAM 007 (PM5D/PM5D-RH)

■ SR CIRCUIT DIAGRAM 008 (PM5D/PM5D-RH)

PM5D/PM5D-RH

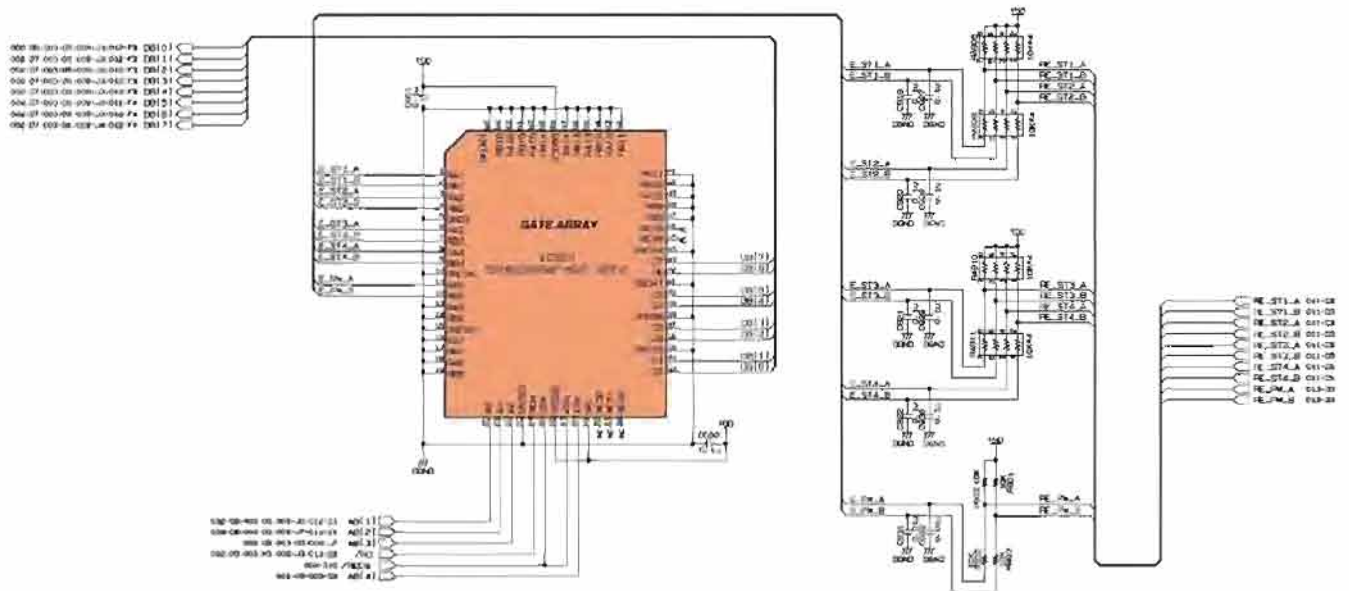


25CC1-4620716-4

LED (METER, SCENE MEMORY)
 ■ SR CIRCUIT DIAGRAM 008 (PM5D/PM5D-RH)

SR CIRCUIT DIAGRAM 010 (PM5D/PM5D-RH)

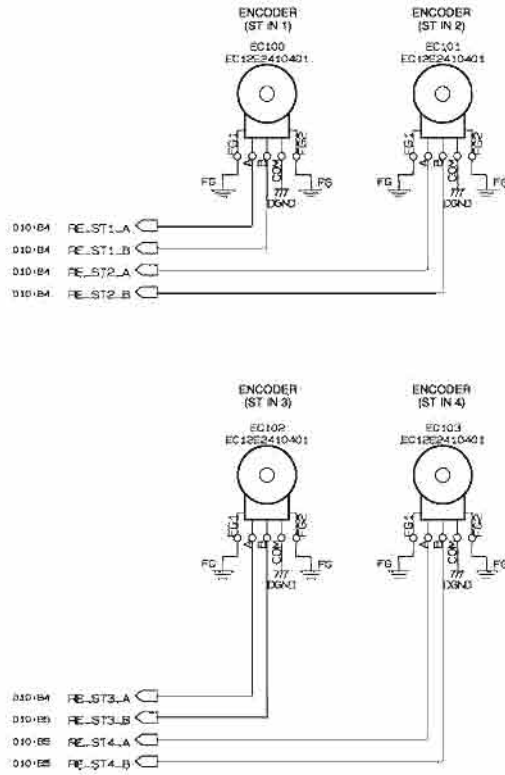
PM5D/PM5D-RH



D C B A

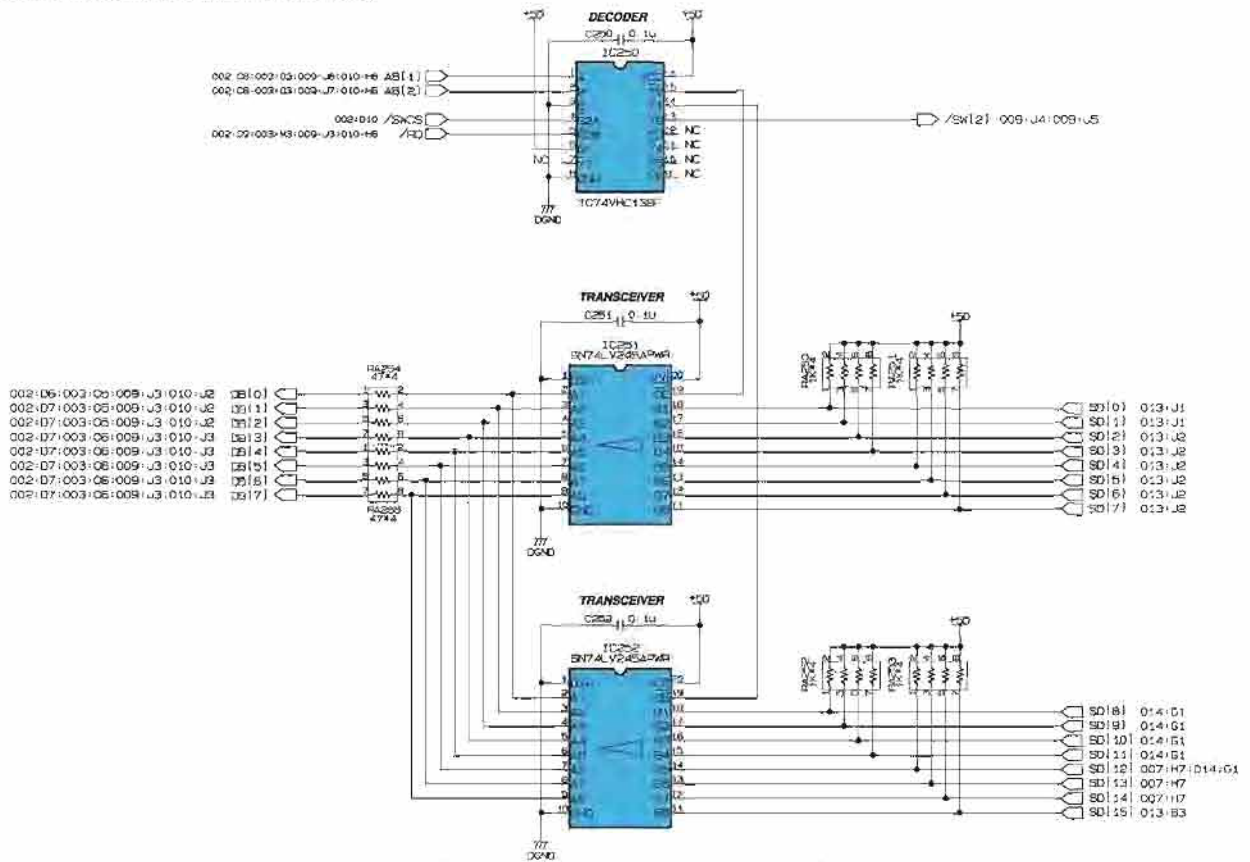
■ SR CIRCUIT DIAGRAM 011 (PM5D/PM5D-RH)

PM5D/PM5D-RH



SR CIRCUIT DIAGRAM 012 (PM5D/PM5D-RH)

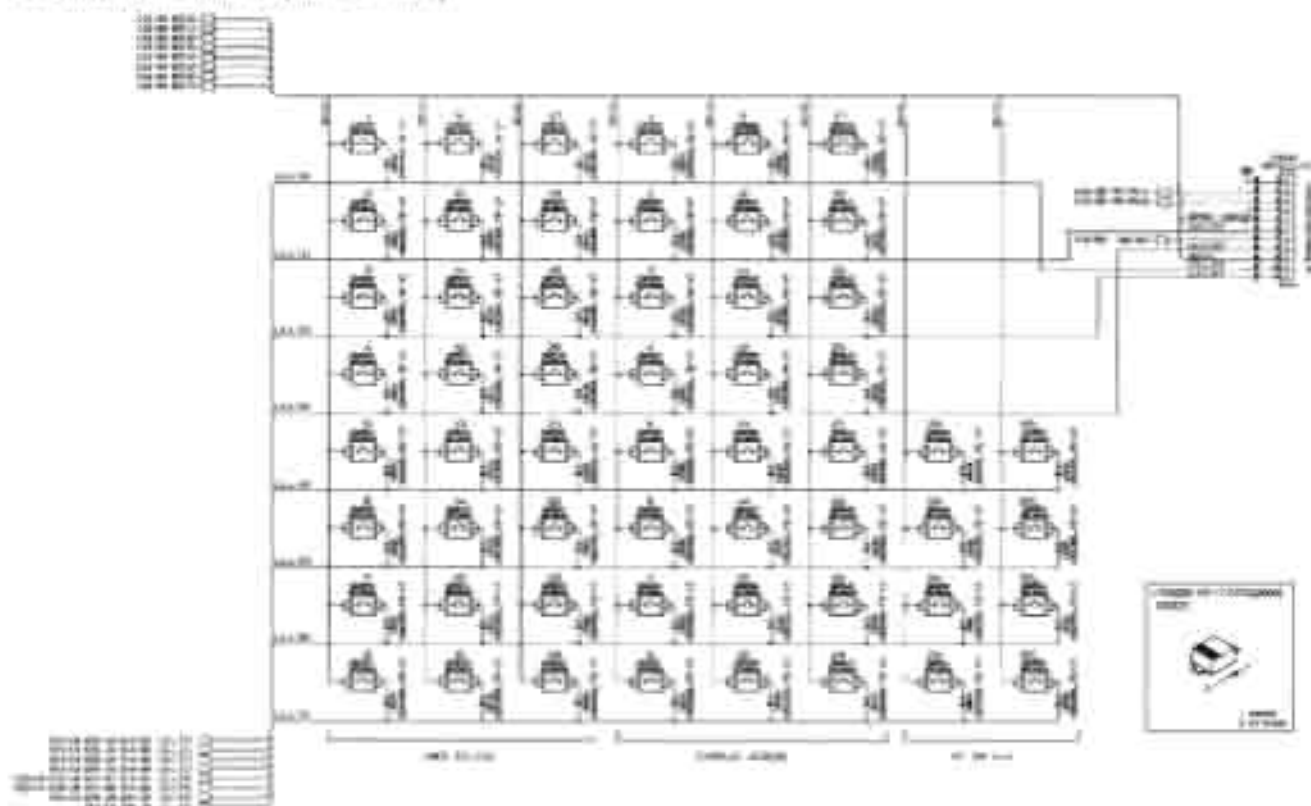
PM5D/PM5D-RH



SW SCAN (ST IN 1-4, DISPLAY ACCESS, USER DEFINE, CUE, MONITOR, OSC, TALKBACK, SCENE MEMORY)
 SR CIRCUIT DIAGRAM 012 (PM5D/PM5D-RH)

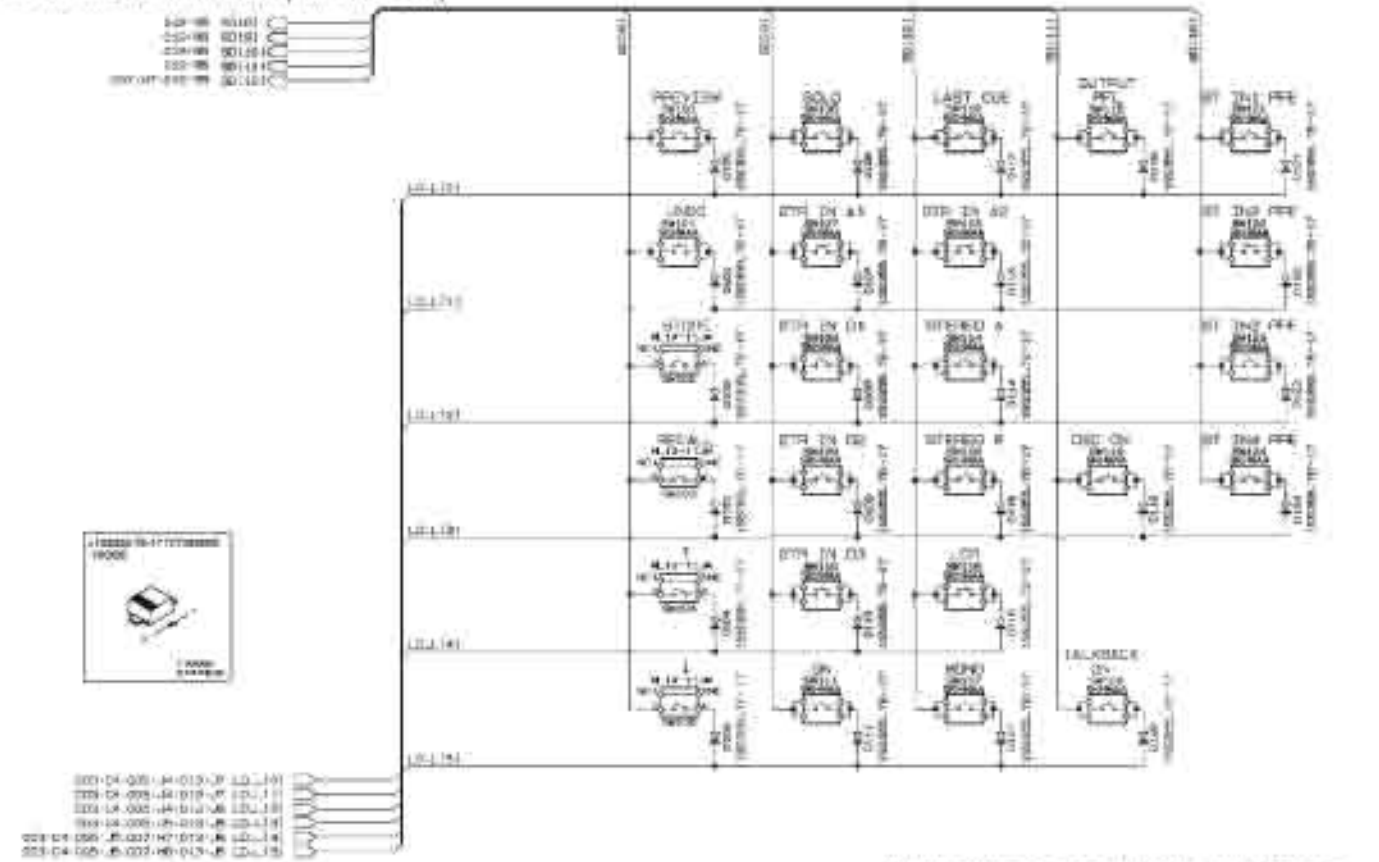
SR CIRCUIT DIAGRAM 013 (PMSD/PMSD-RH)

PMSD/PMSD-RH



SR CIRCUIT DIAGRAM 014 (PM5D/PM5D-RH)

PM5D/PM5D-RH

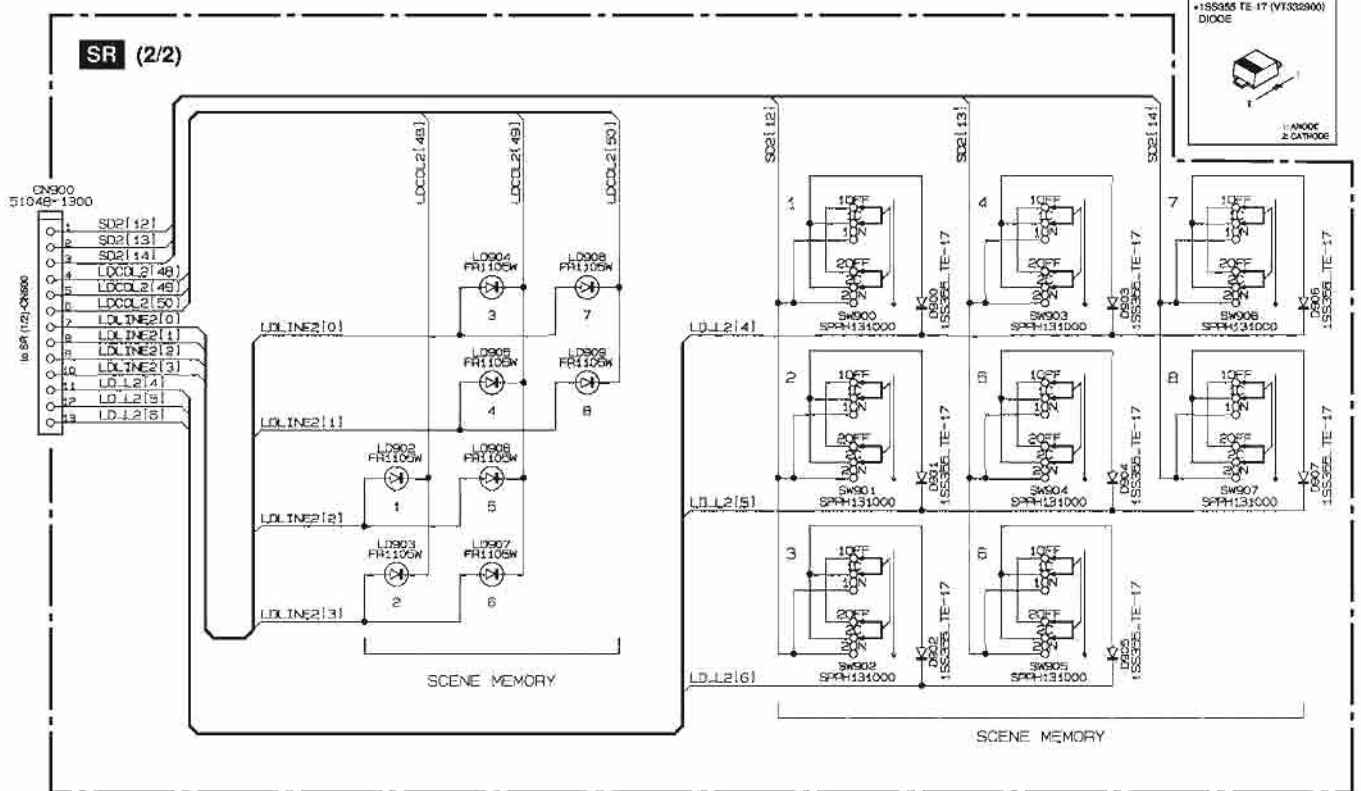


- 003-04-005-14-013-1P 12V 1.1A
- 003-04-005-14-019-1P 12V 1.1A
- 003-04-005-14-012-1A 12V 1.1A
- 003-04-005-14-010-1P 12V 1.1A
- 003-04-005-14-011-1P 12V 1.1A
- 003-04-005-14-014-1P 12V 1.1A
- 003-04-005-14-017-1P 12V 1.1A

SW (CUE MONITOR, OSC, TALKBACK, SCENE MEMORY)
 SR CIRCUIT DIAGRAM 014 (PM5D/PM5D-RH)

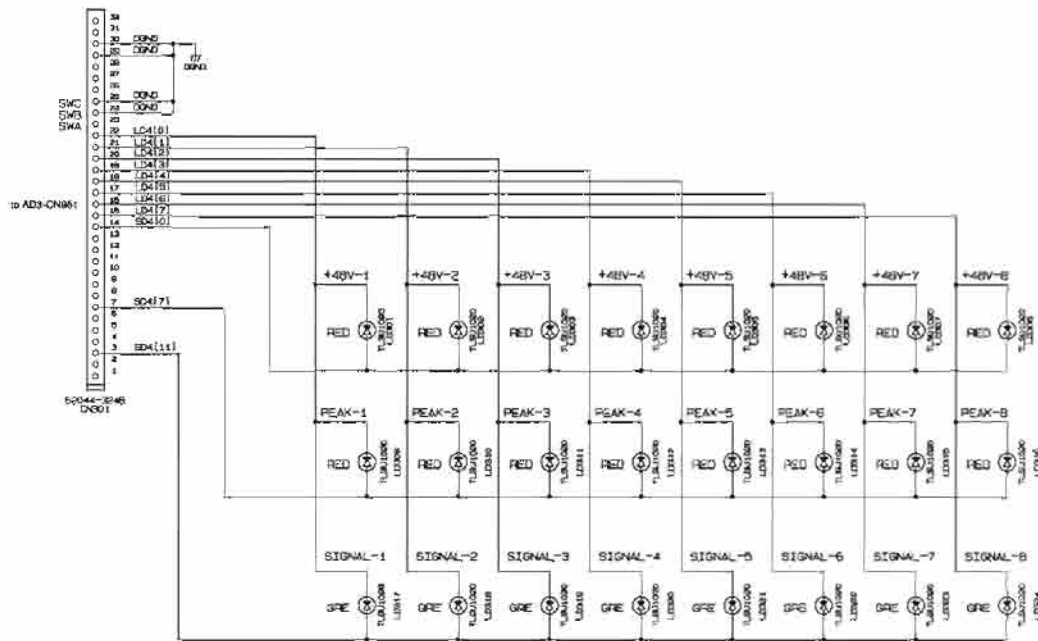
■ SR CIRCUIT DIAGRAM 015 (PM5D/PM5D-RH)

PM5D/PM5D-RH



■ STLD CIRCUIT DIAGRAM (PM5D-RH)

PM5D-RH



D

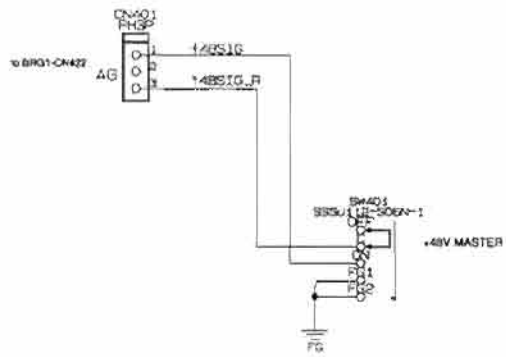
C

B

A

■ SW48 CIRCUIT DIAGRAM (PM5D-RH)

PM5D-RH



2

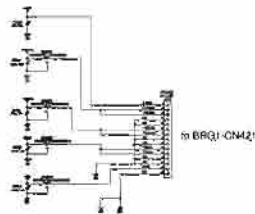
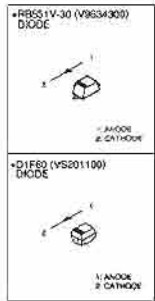
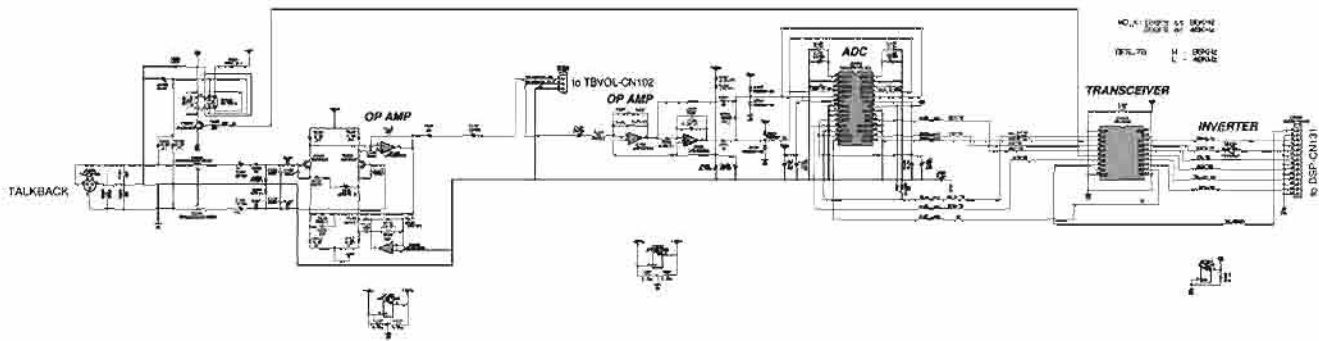
3

4

5

■ TB CIRCUIT DIAGRAM (PM5D/PM5D-RH)

PM5D/PM5D-RH



D

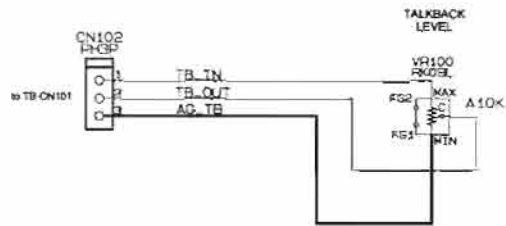
C

B

A

■ TBVOL CIRCUIT DIAGRAM (PM5D/PM5D-RH)

PM5D/PM5D-RH



H

G

F

E

D

C

B

TPSW CIRCUIT DIAGRAM (PM5D/PM5D-RH)

PM5D/PM5D-RH

