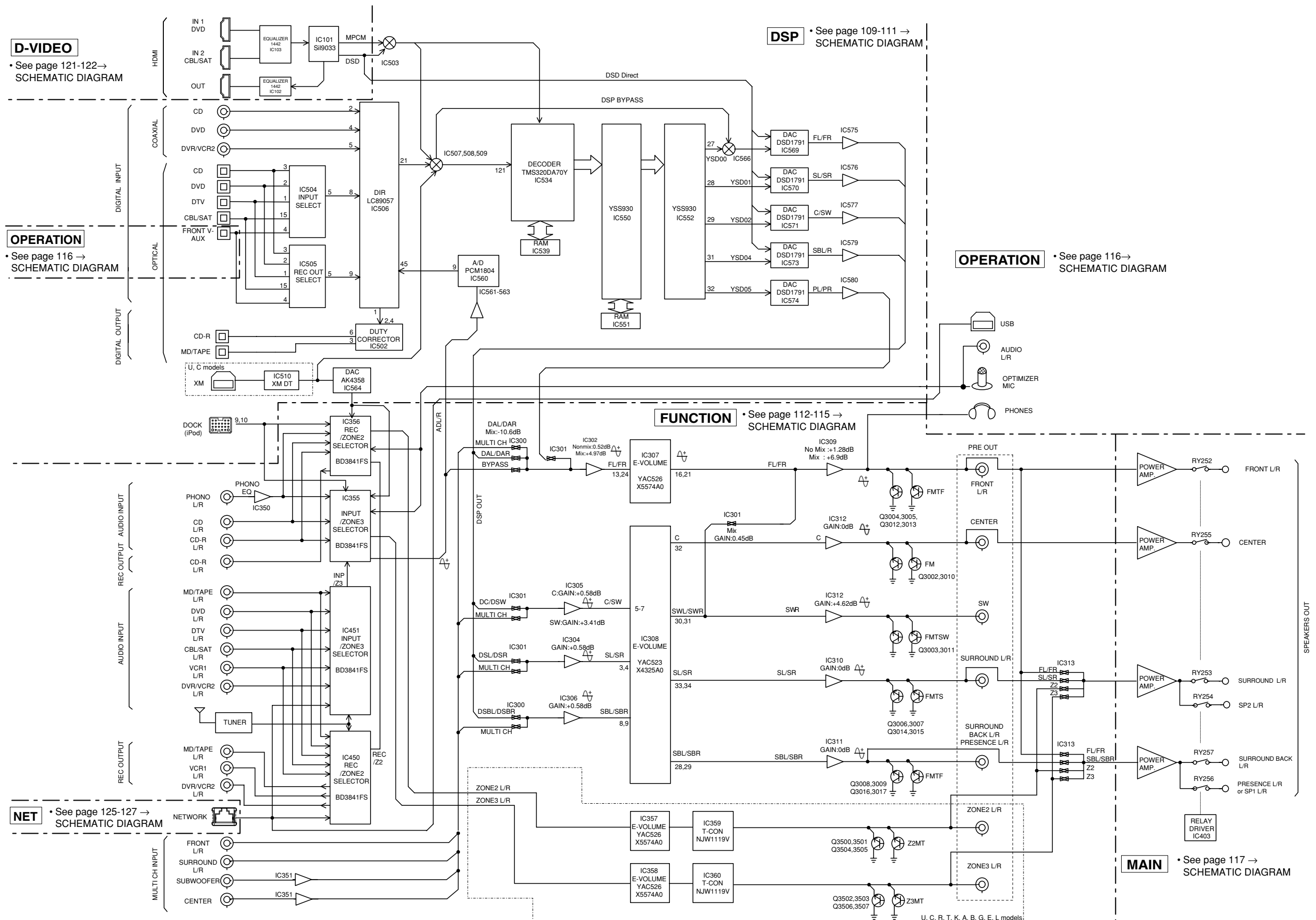


BLOCK DIAGRAMS

AUDIO SECTION BLOCK DIAGRAM



D-VIDEO
• See page 121-122 → SCHEMATIC DIAGRAM

DSP • See page 109-111 → SCHEMATIC DIAGRAM

OPERATION
• See page 116 → SCHEMATIC DIAGRAM

OPERATION • See page 116 → SCHEMATIC DIAGRAM

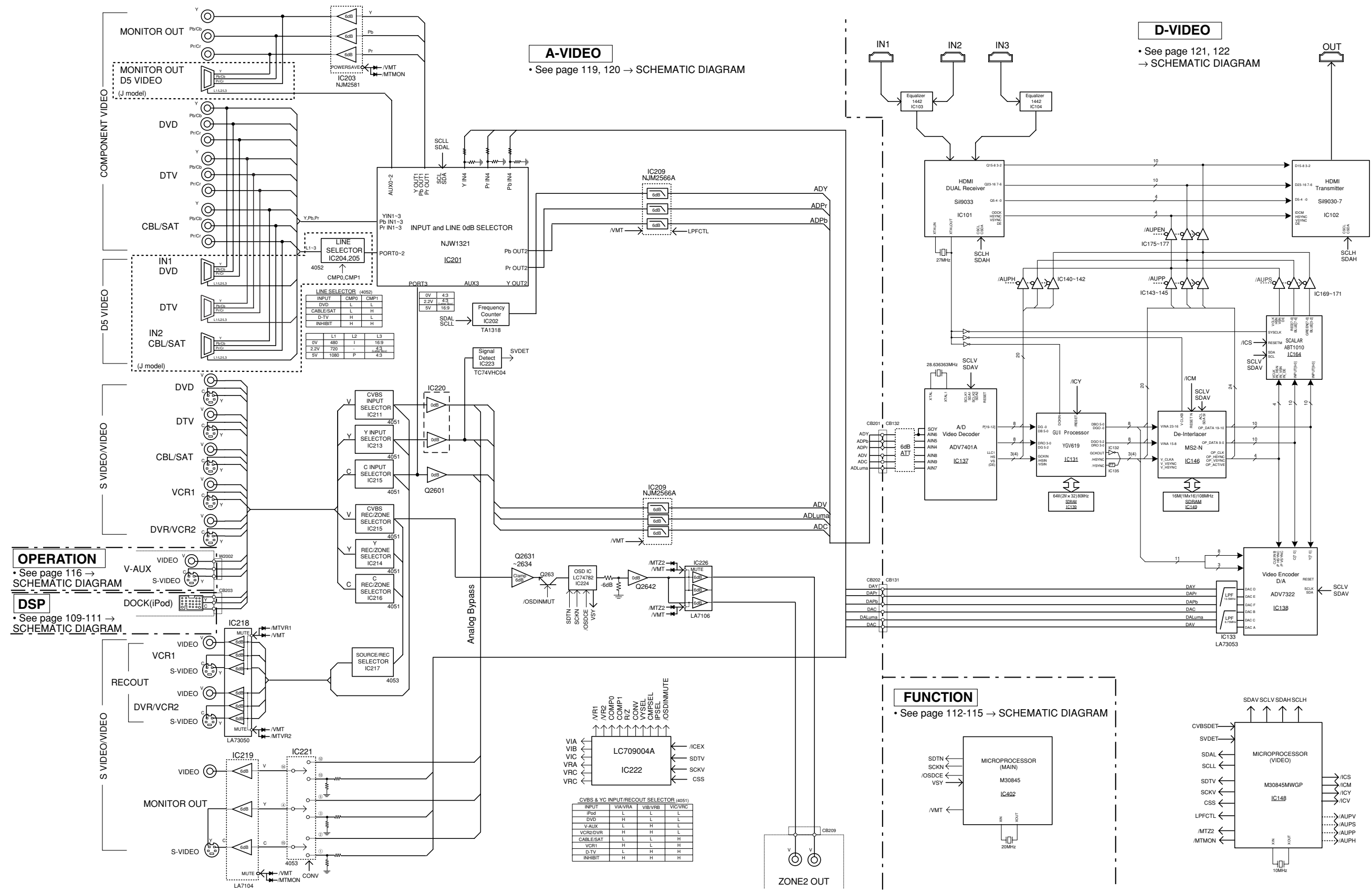
FUNCTION • See page 112-115 → SCHEMATIC DIAGRAM

NET • See page 125-127 → SCHEMATIC DIAGRAM

MAIN • See page 117 → SCHEMATIC DIAGRAM

U, C, R, T, K, A, B, G, E, L models

VIDEO SECTION BLOCK DIAGRAM



A-VIDEO
 • See page 119, 120 → SCHEMATIC DIAGRAM

D-VIDEO
 • See page 121, 122
 → SCHEMATIC DIAGRAM

OPERATION
 • See page 116 → SCHEMATIC DIAGRAM

DSP
 • See page 109-111 → SCHEMATIC DIAGRAM

FUNCTION
 • See page 112-115 → SCHEMATIC DIAGRAM

CVBS & Y/C INPUT/RECOUT SELECTOR (4051)

INPUT	VIA/VRA	VIB/VRB	VIC/VRC
Pod	H	L	L
DVD	H	L	L
V-AUX	L	H	L
VCR/DVR	H	H	L
CABLESAT	L	L	H
VCR1	H	L	H
D-TV	L	H	H
INHIBIT	H	H	H

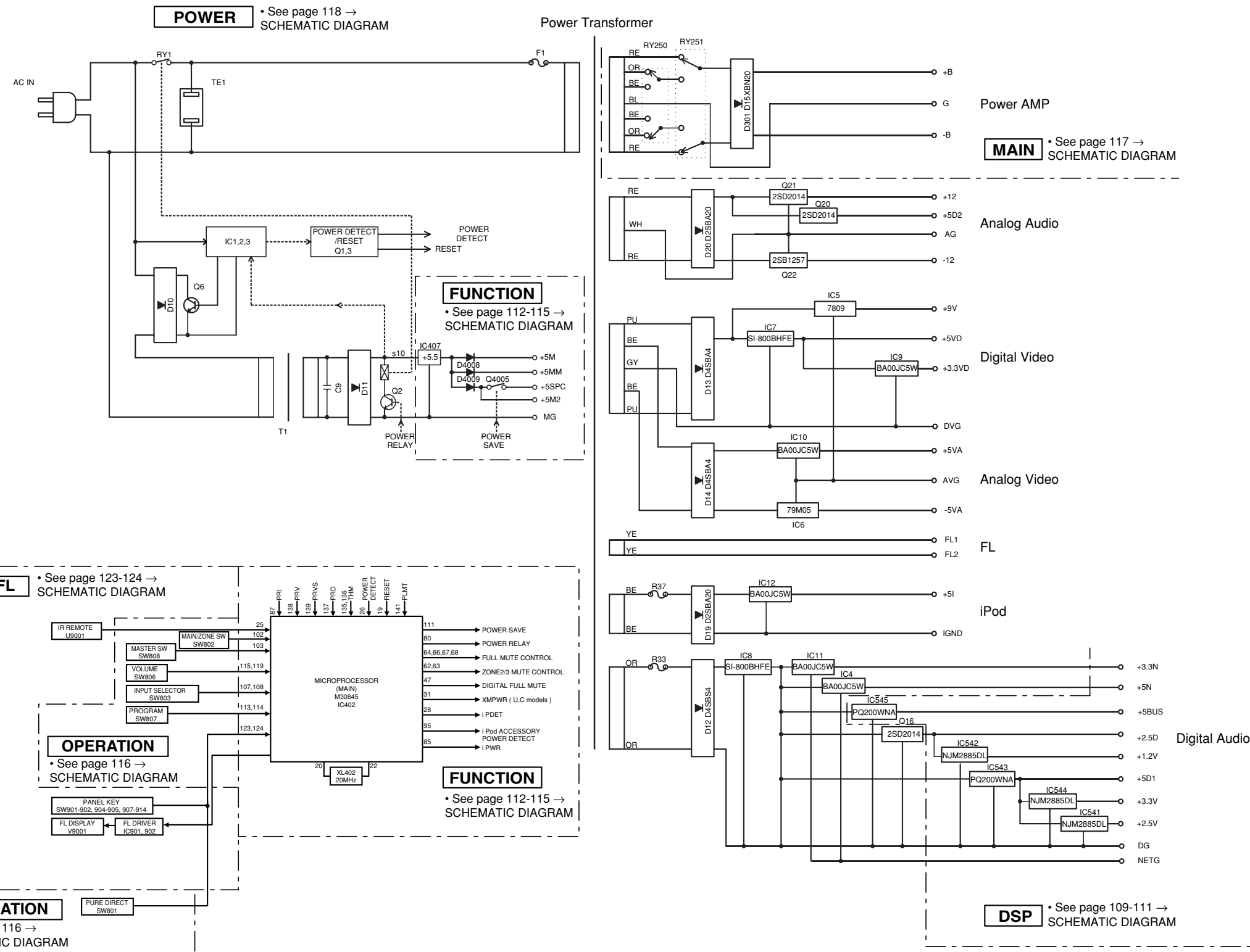
LC709004A

IN	OUT
VIA	V
VIB	V
VIC	V
VRA	V
VRC	V

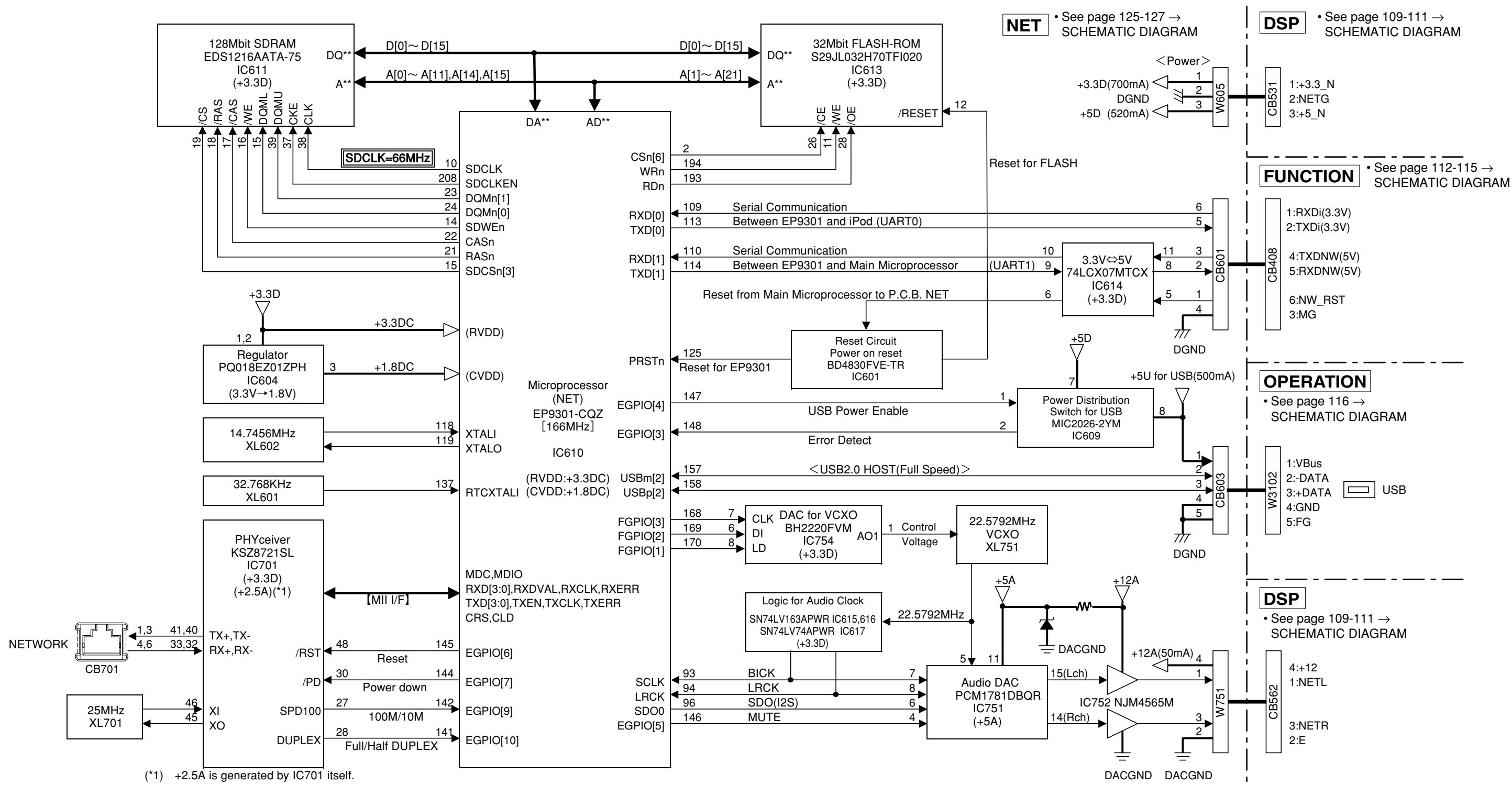
MICROPROCESSOR (VIDEO)

IN	OUT
SDA	SDA
SCL	SCL
SDTV	SDTV
SCKV	SCKV
CSS	CSS
LPFCTL	LPFCTL
MTZ2	MTZ2
MTMON	MTMON

CONTROL/POWER SUPPLY SECTION BLOCK DIAGRAM



NETWORK SECTION BLOCK DIAGRAM



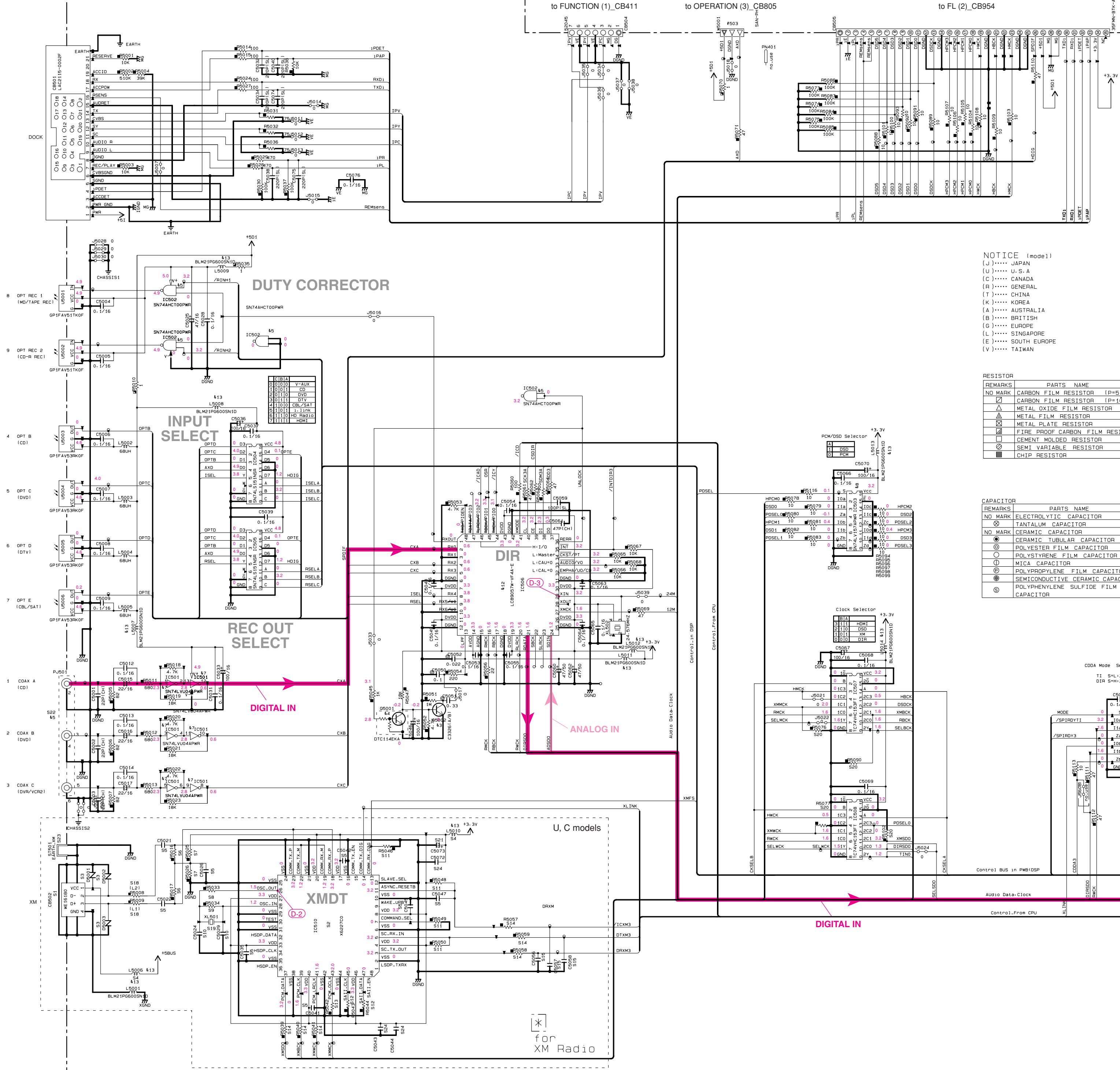
(*1) +2.5A is generated by IC701 itself.

SCHEMATIC DIAGRAMS
DSP 1/3

1
2
3
4
5
6
7
8
9
10

DSP

Page 112 [H8] to FUNCTION (1)_CB411
Page 116 [E2] to OPERATION (3)_CB805
Page 124 [A7] to FL (2)_CB954



Destination Part List

sxx	LOC	J	U.C	R.T.K.A.B.G.E.L
S1	CB502	X	WE16180 ICAM-1618108	X
S2	IC502	X	4827703 72602-1118	X
S3	CS502	X	WE17460 AVRL16141R1N1B	X
S4	L5006	X	V044990 BLM1P0000N10	X
S5	CS041	X	U039510 0.1716	X
S6	RS011	X	RD39510 100	X
S7	RS020	X	RD39510 100	X
S8	RS033	X	RD39510 100	X
S9	RS034	X	RD39510 100	X
S10	CS024	X	U039510 0.1716	X
S11	RS050	X	RD39510 100R	X
S12	RS043	X	RD39510 100R	X
S13	RS046	X	RD39510 100R	X
S14	RS047	X	RD39510 100R	X
S15	CS025	X	U039510 0.1716	X
S16	RS008	X	RD39510 100R	X
S17	RS009	X	RD39510 100R	X
S18	RS008	X	RD39510 100R	X
S19	RS001	X	RD39510 100R	X
S20	RS012	X	RD39510 100R	X
S21	CS073	X	U039510 0.1716	X
S22	PJ001	X	MB8440 MSD-3V-2R1	X
S23	S1001	X	MSD-3V-2R1	X
S24	CS042	X	U039510 0.1716	X

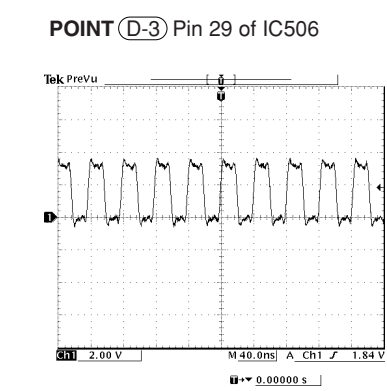
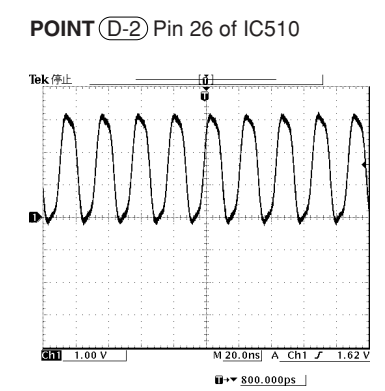
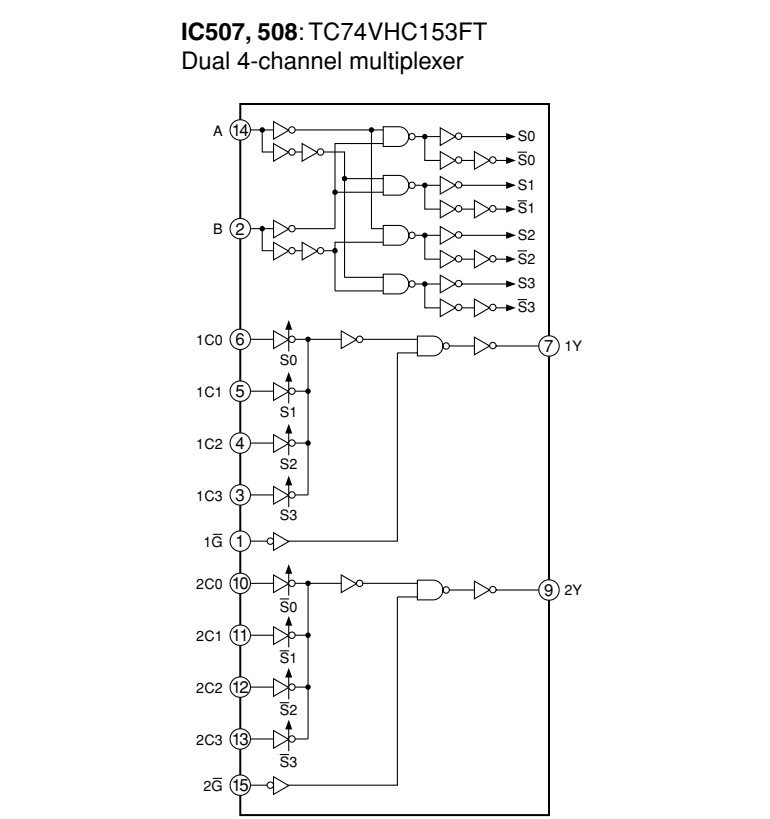
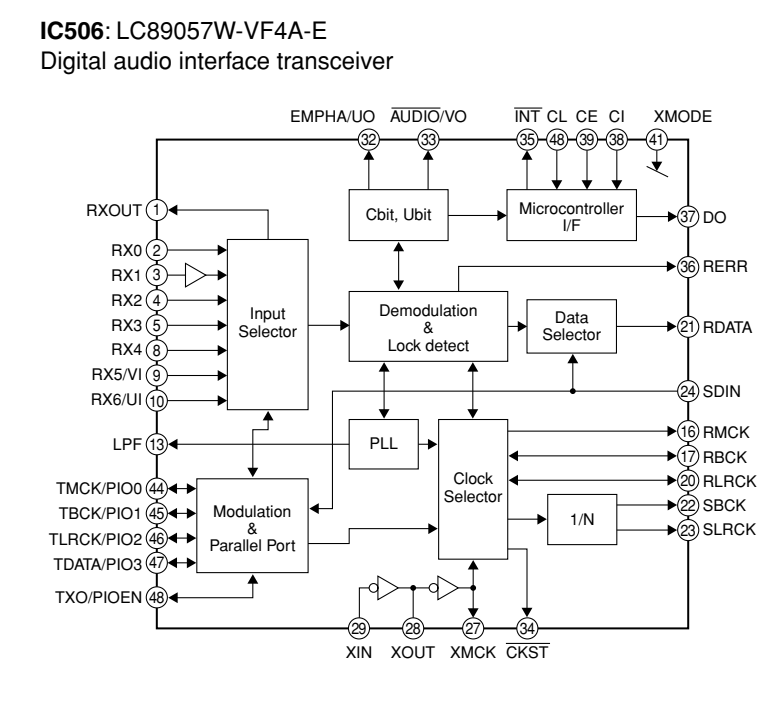
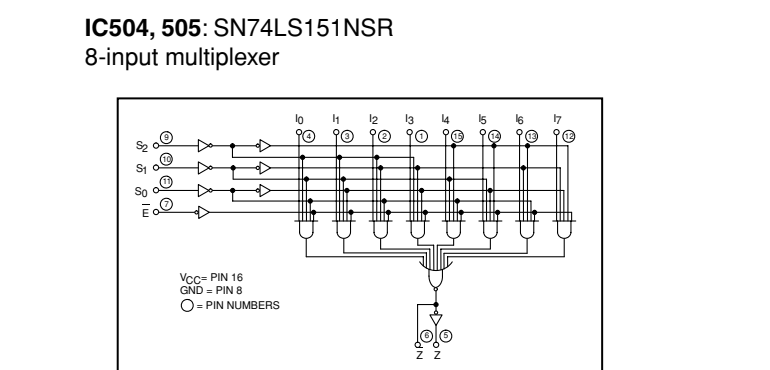
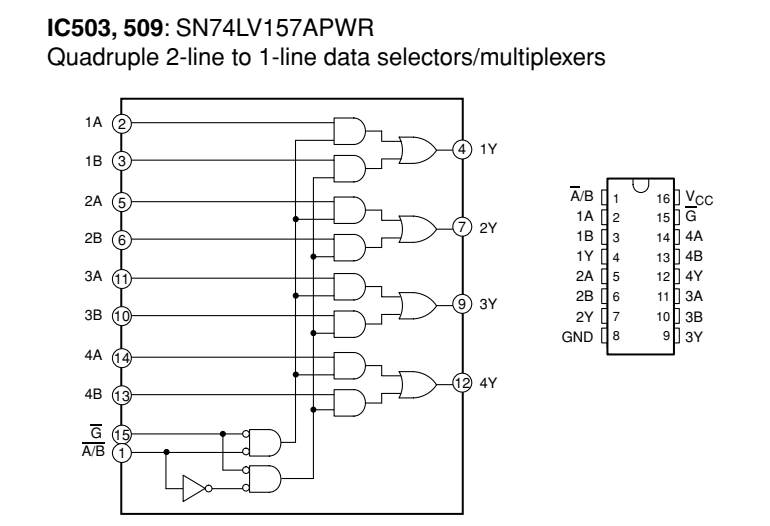
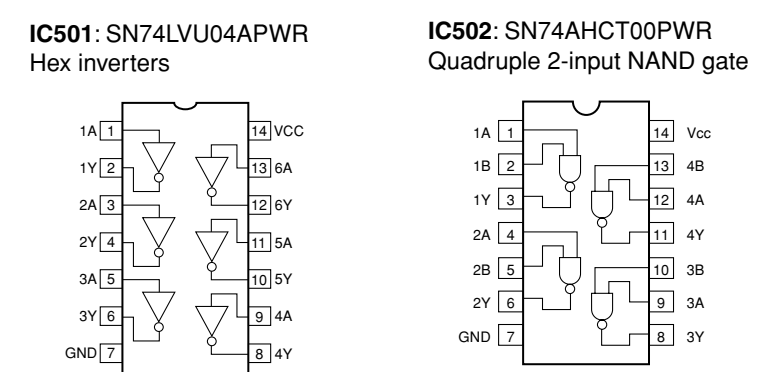
NOTICE (model)
(J)..... JAPAN
(U)..... U.S.A
(C)..... CANADA
(R)..... GENERAL
(T)..... CHINA
(K)..... KOREA
(A)..... AUSTRALIA
(B)..... BRITISH
(G)..... EUROPE
(L)..... SINGAPORE
(E)..... SOUTH EUROPE
(V)..... TAINAN

RESISTOR
REMARKS PARTS NAME
NO MARK CARBON FILM RESISTOR (P+G)
C CARBON FILM RESISTOR (P=10)
M METAL OXIDE FILM RESISTOR
A METAL FILM RESISTOR
P METAL PLATE RESISTOR
F FINE PORE CARBON FILM RESISTOR
I IZUMOTI MOLDED RESISTOR
S SEMI VARIABLE RESISTOR
V CHIP RESISTOR

CAPACITOR
REMARKS PARTS NAME
NO MARK ELECTROLYTIC CAPACITOR
T TANTALUM CAPACITOR
C CERAMIC CAPACITOR
C CERAMIC TUBULAR CAPACITOR
P POLYESTER FILM CAPACITOR
O POLYSTYRENE FILM CAPACITOR
M MICA CAPACITOR
S POLYPROPYLENE FILM CAPACITOR
S SEMICONDUCTIVE CERAMIC CAPACITOR
P POLYPHENYLENE SULFIDE FILM CAPACITOR

Interchangeable Parts at Manufacture Stage

Mark	Reference Parts Number	Parts Name
A1	CS500-500-500-500	IC505
A2	G6301	25A1037K1G/R/S1 25A123A1E/P1
A3	G6002	25C3201A/B1 25C3201B1 25C3201M1/B1 25C3201K1 K1C3201B
A4	G6001	DT11424A M101020-R/S/P
A5	IC502	SN74AHC100PWR TC74AHC100APTEL-X1
A6	IC505	SN74AHC100PWR TC74AHC100APTEL-X1
A7	IC501	SN74AHC100PWR TC74AHC100APTEL-X1
A8	IC503-500-566	SN74LV157APWR TC74LV157APTEL-X1
A9	IC509	W815500-7 E849510001-FTLR M1L16161A-710
A10	IC505	M981420E-00-3R1 G146010P-004 M1B161620E-35J E480350-00
A11	IC506-552	Y59300-S2 Y59300-S2
A12	IC506	LC89057W-VF4D-E LC89057W-VF4D-E
A13	L5001-5006-5015-5301-3006-9500-9509-9611-9614-9616-9618-9620-9623	BLM1P0000N10 P20104000-3M11F1



* All voltages are measured with a 10MΩ/V DC electronic voltmeter.
* Components having special characteristics are marked with a triangle and must be replaced with parts having specifications equal to those originally installed.
* Schematic diagram is subject to change without notice.
● 電圧は、内部抵抗10MΩの電圧計で測定したものです。
● 印のある部品は、安全性確保部品を示しています。部品の交換が必要な場合、パーツリストに記載されている部品を使用してください。
● 本回路図は標準回路図です。改良のため予告なく変更することがございます。

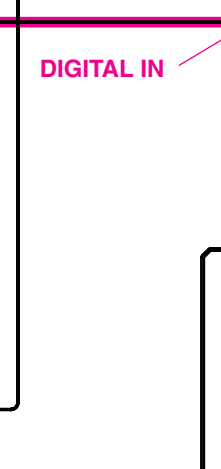
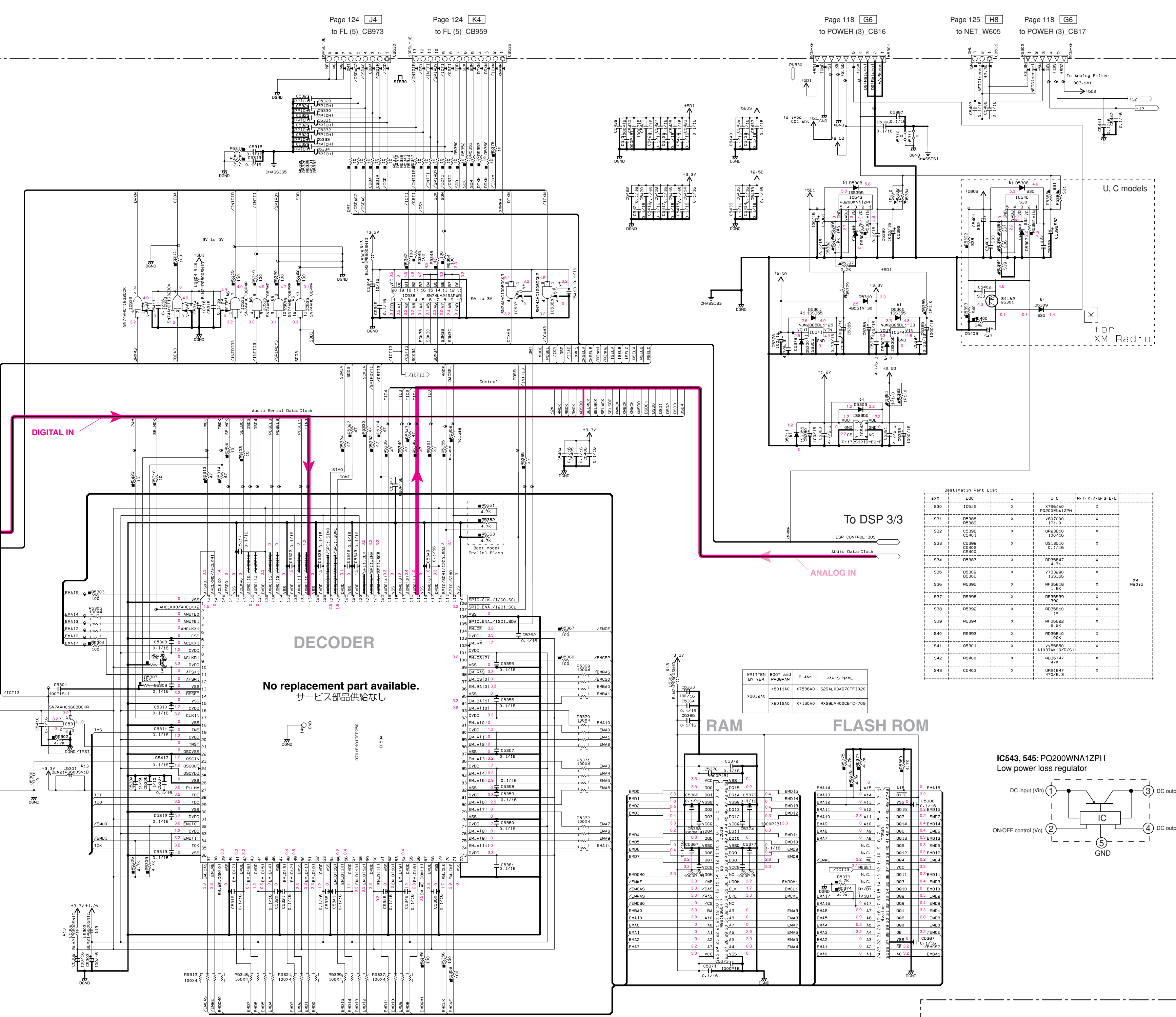
DSP 2/3

DSP

NOTICE (mode1)
(J)..... JAPAN
(U)..... U.S.A
(C)..... CANADA
(R)..... GENERAL
(T)..... CHINA
(K)..... KOREA
(A)..... AUSTRALIA
(B)..... BRITISH
(G)..... EUROPE
(L)..... SINGAPORE
(E)..... SOUTH EUROPE
(V)..... TAIWAN

Table with 2 columns: CAPACITOR, PARTS_NAME. Lists various capacitor types like ELECTROLYTIC, TANTALUM, CERAMIC, etc.

Table with 2 columns: RESISTOR, PARTS_NAME. Lists various resistor types like CARBON FILM, METAL OXIDE FILM, etc.



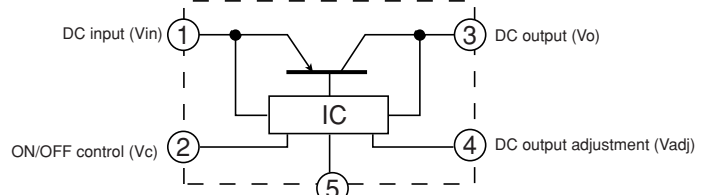
DECODER

No replacement part available. サービス部品供給なし

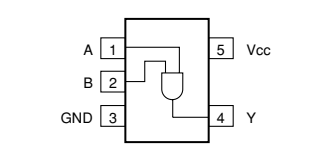
RAM FLASH ROM

Destination Part List table with columns: sxx, LOC, J, U-C, DR. T, K, A, B, D, E, L.

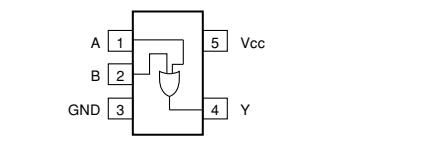
IC543, 545: PQ200WNA1ZPH Low power loss regulator



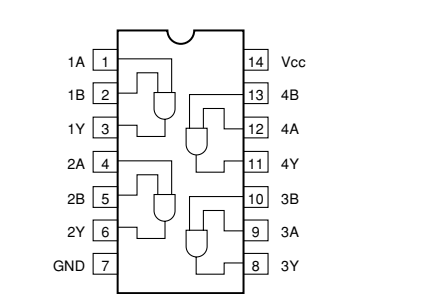
IC531: SN74AHC1G08DCKR 2-input positive-AND gate



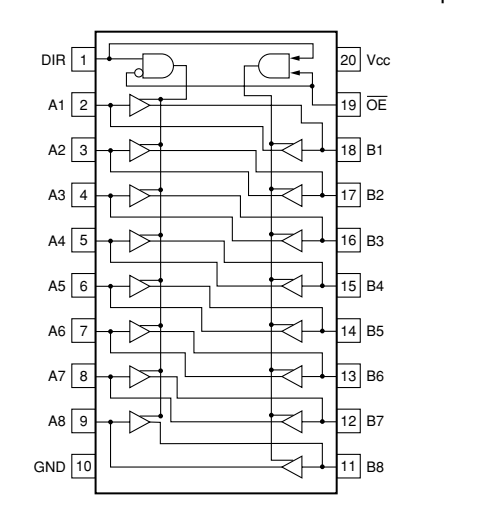
IC532, 533: SN74AHC1G32DCKR Single 2-input positive-OR gate



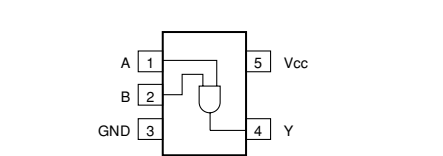
IC535: SN74AHC08PWR Quaduple 2-input positive-AND gates



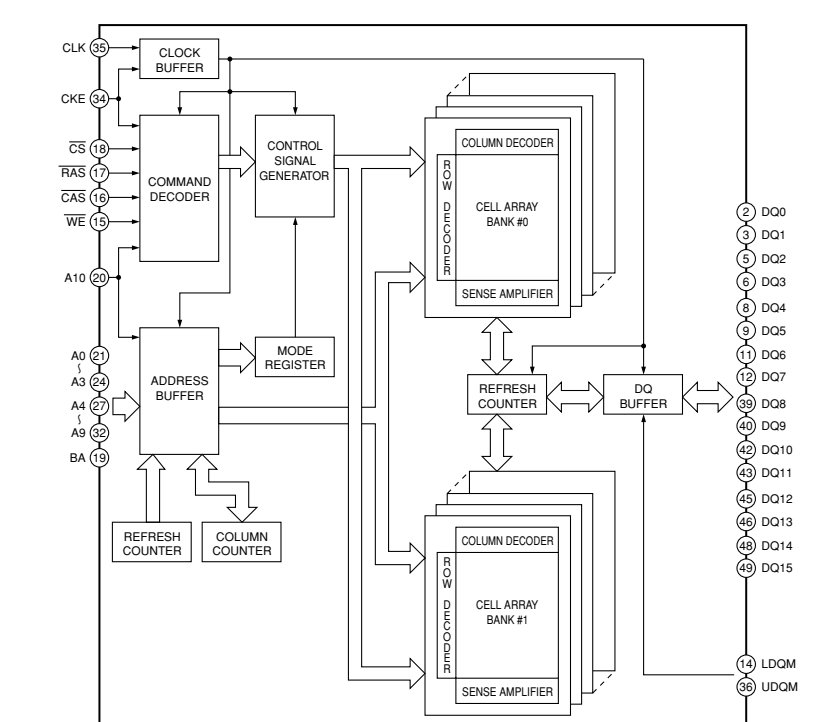
IC536: SN74LV245APWR Octal bus transceiver with 3-state outputs



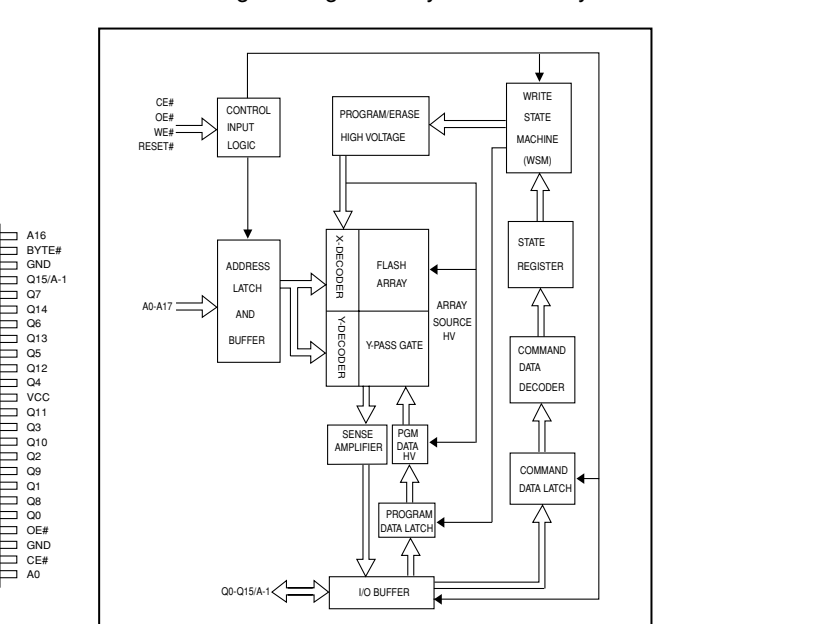
IC537, 538: SN74AHC1G08DCKR 2-input positive-AND gate



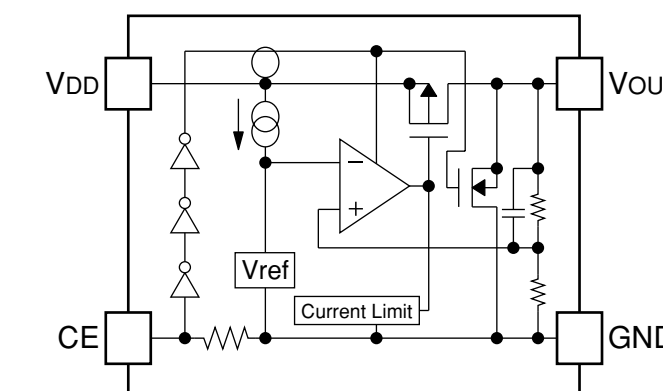
IC539: W9816G6CH-7 512k x 2 banks x 16 bits SDRAM



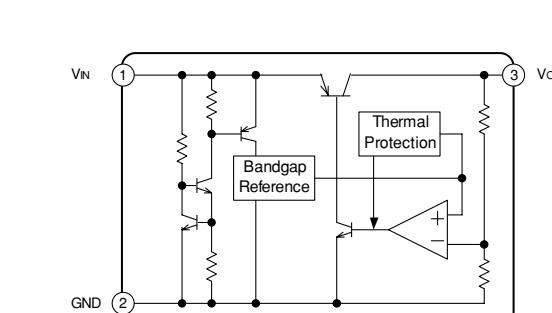
IC540: MX29LV400BTC-70G 4M-bit cmos single voltage 3V only flash memory



IC542: R1172S121D-E2-F



IC544: NJM2885DL1-33 Low dropout voltage regulator



IC541: NJM2885DL1-25 Low dropout voltage regulator

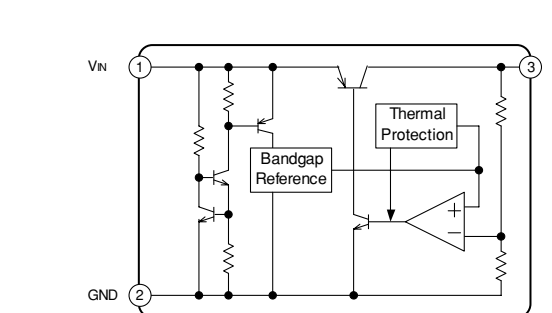


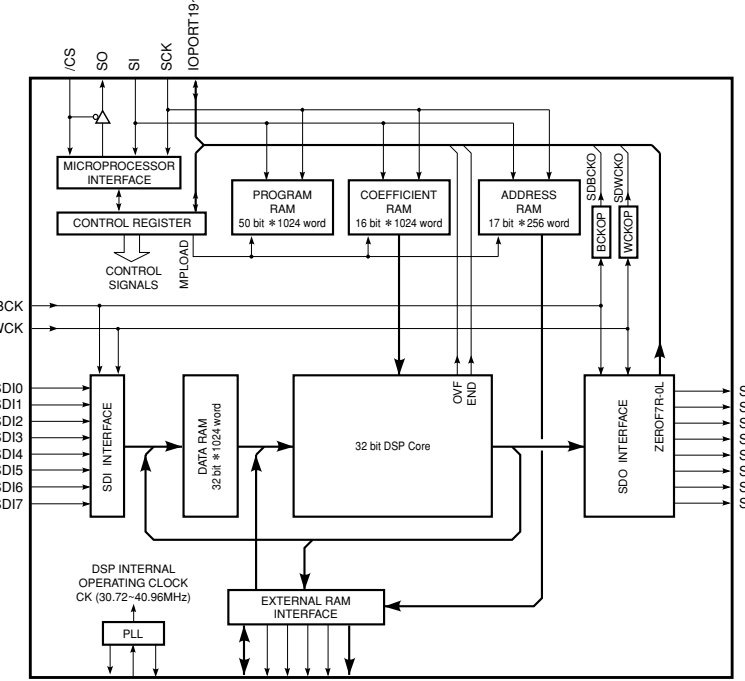
Table with 3 columns: Pin No., Symbol, Description. Lists pins 1 (VOUT), 2, 5 (GND), 3 (CE), 4 (NC), 6 (VDD).

All voltages are measured with a 10MΩ/V DC electronic voltmeter. Components having special characteristics are marked with a triangle and must be replaced with parts having specifications equal to those originally installed.

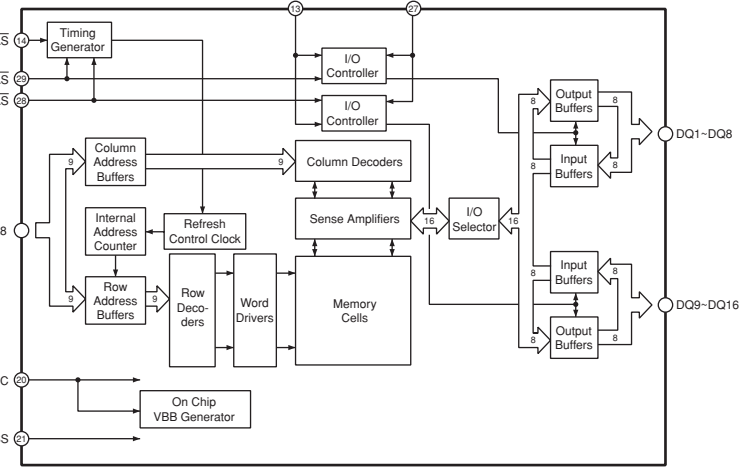
DSP

Page 114 [A5] to FUNCTION (2)_CB300
Page 115 [B3] to FUNCTION (2)_W3503
Page 127 [L2] to NET_W751

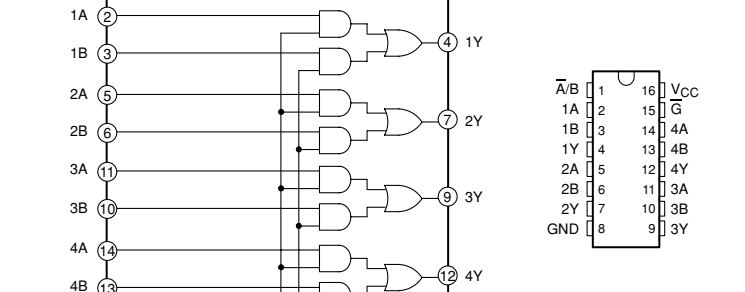
IC550, 552: YSS930B-SZ
DSP



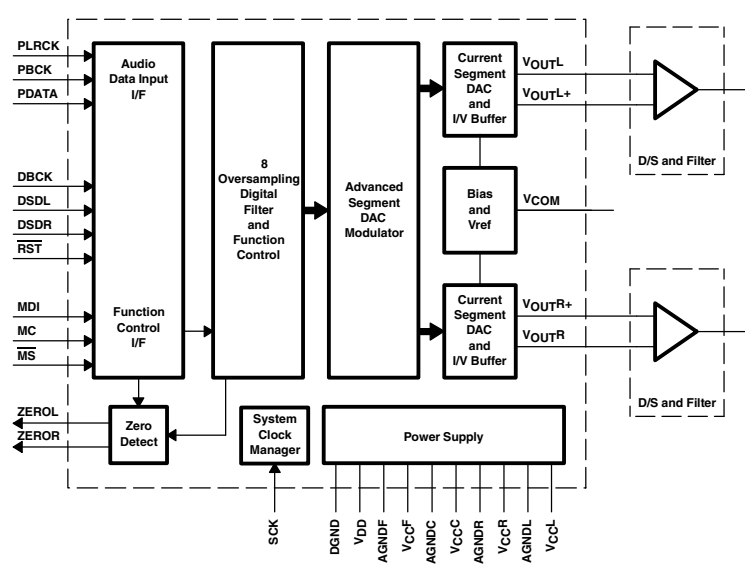
IC551: MSM514260E-60JS
4M-bit DRAM



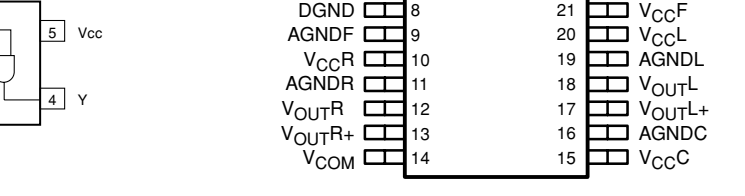
IC566: SN74LV157APWR
Quaduple 2-line to 1-line data selectors/multiplexers



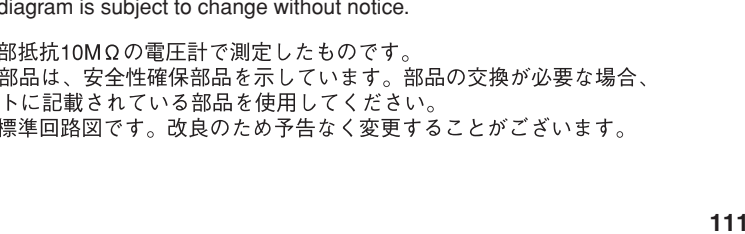
IC569-571, 573, 574: DSD1791DBR
24-bit, 192kHz sampling, advanced segment, audio stereo digital-to-analog converter



IC575-577: OP275GSR
Dual bipolar/JFET, audio operational amplifier

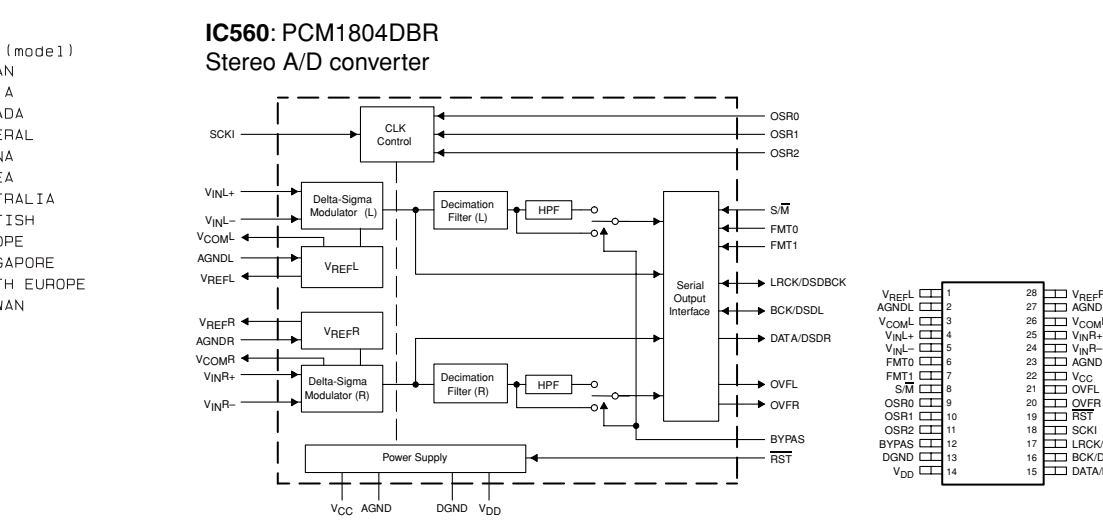
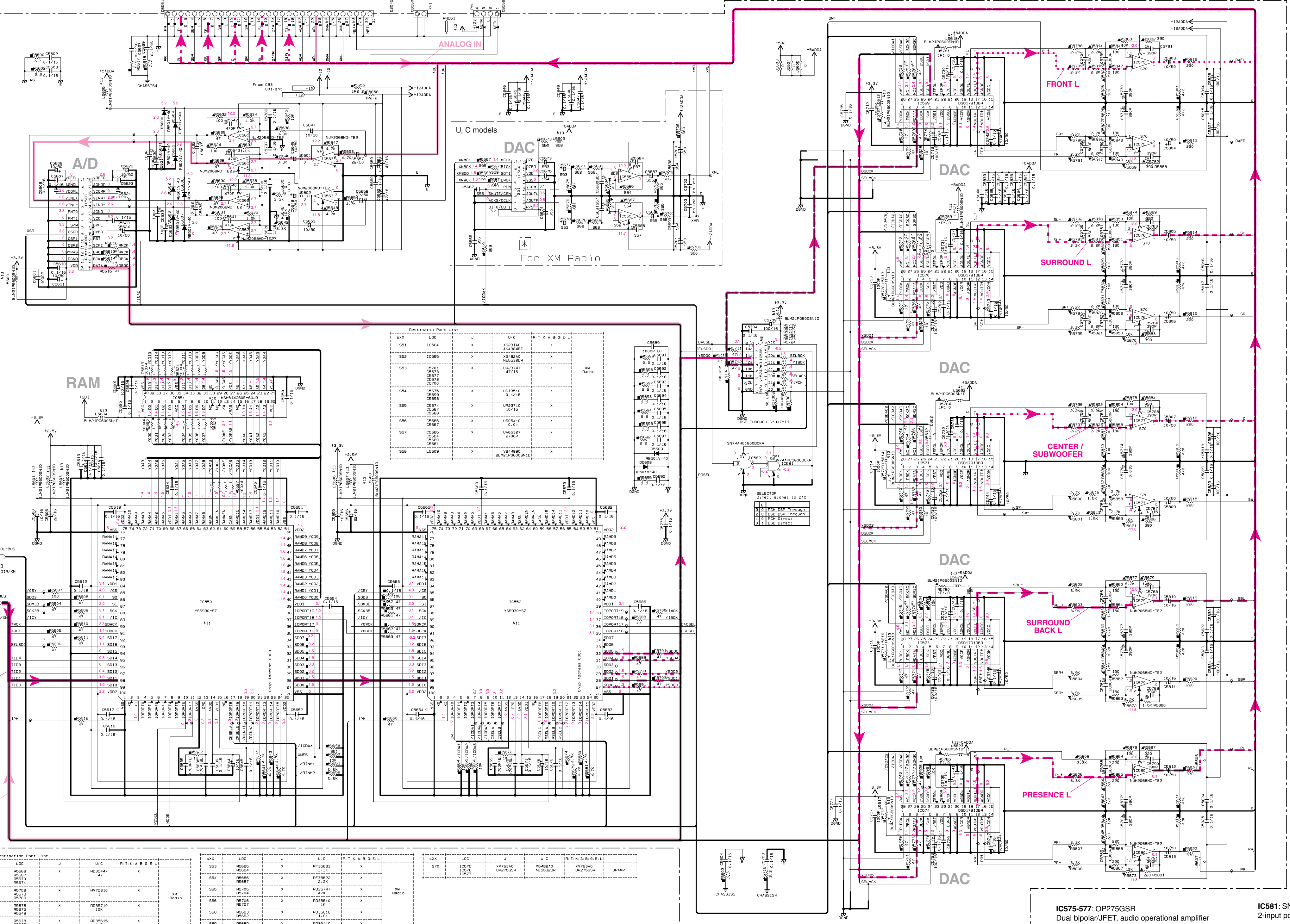


IC581: SN74AHC1G08DCKR
2-input positive-AND gate

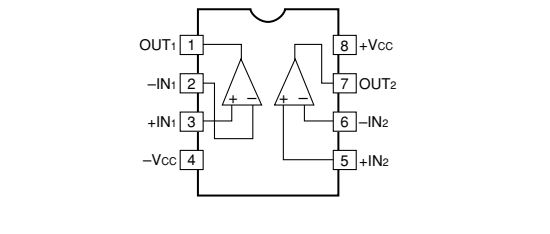


- PLRCK 1 MS
- PBCK 2 27
- PDATA 3 MDI
- DBCK 4 25 DSDI
- SK 5 24 DSDR
- RST 6 23 ZEROL
- VDD 7 22 ZEROR
- DGND 8 21 VccF
- AGNDF 9 20 VccL
- VccR 10 19 AGNDL
- AGNDR 11 18 VoutL
- VoutR 12 17 VoutL
- VoutR+ 13 16 AGNDC
- VCOM 14 15 VccC

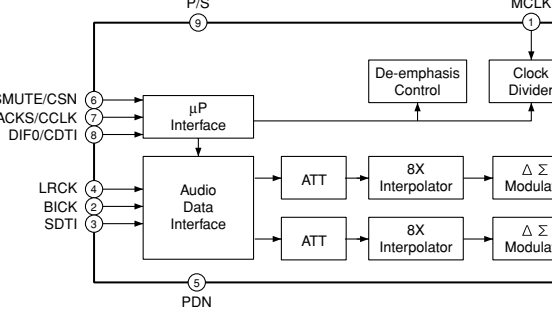
● All voltages are measured with a 10MΩ/V DC electronic voltmeter.
 ● Components having special characteristics are marked with a triangle (▲), and must be replaced with parts having specifications equal to those originally installed.
 ● Schematic diagram is subject to change without notice.
 ● 電圧は、内部抵抗10MΩの電圧計で測定したものです。
 ● ▲印のある部品は、安全な確保部品を示しています。部品の交換が必要な場合、パーツリストに記載されている部品を使用してください。
 ● 本回路図は標準回路図です。改良のため予告なく変更することがございます。



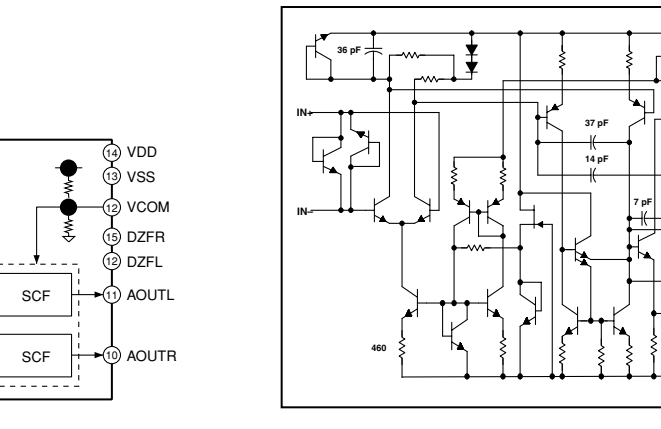
IC561-563, 579, 580: NJM2068MD-TE2
Dual operational amplifier



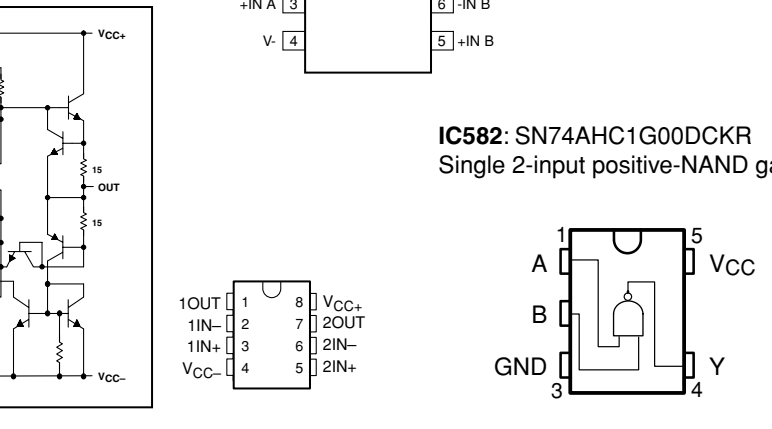
IC564: AK4384ET
D/A converter



IC565, 575, 577: NE5532DR
Dual low-noise operational amplifiers



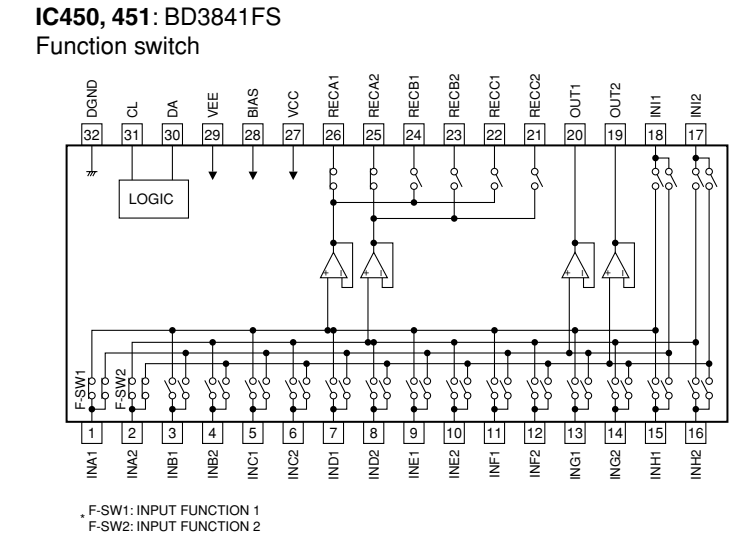
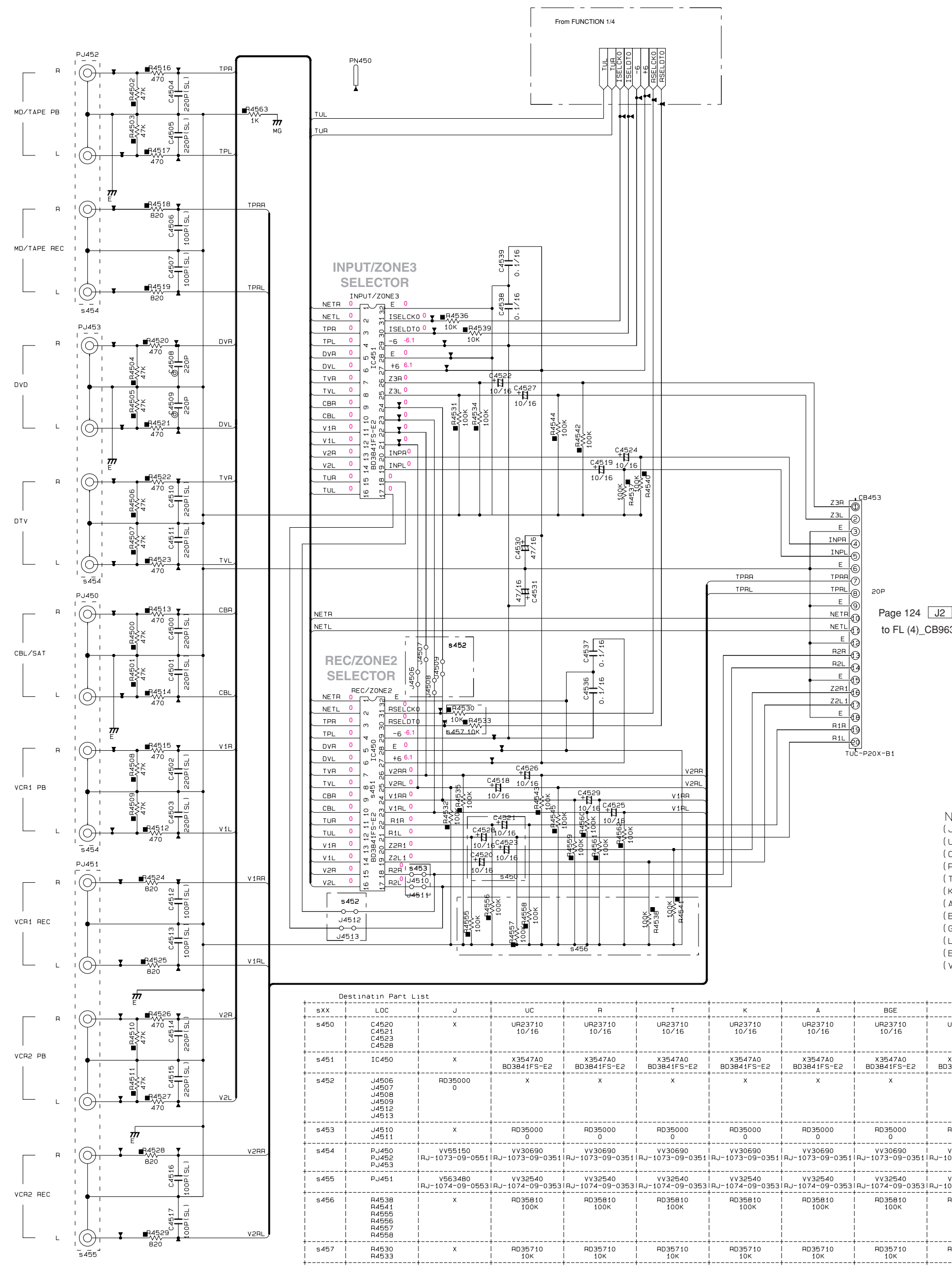
IC582: SN74AHC1G00DCKR
Single 2-input positive-NAND gate



NOTICE (model)
 (J)..... JAPAN
 (U)..... U.S.A.
 (C)..... CANADA
 (R)..... GENERAL
 (T)..... CHINA
 (K)..... KOREA
 (A)..... AUSTRALIA
 (B)..... BRITISH
 (G)..... EUROPE
 (S)..... SINGAPORE
 (E)..... SOUTH EUROPE
 (V)..... TAIWAN

FUNCTION 2/4

FUNCTION (1)



Page 124 J2 to FL (4)_CB963

NOTICE (mode1)

- (J)..... JAPAN
- (U)..... U.S. A
- (C)..... CANADA
- (R)..... GENERAL
- (T)..... CHINA
- (K)..... KOREA
- (A)..... AUSTRALIA
- (B)..... BRITISH
- (G)..... EUROPE
- (L)..... SINGAPORE
- (E)..... SOUTH
- (V)..... TAIWAN

RESISTOR

REMARKS	PARTS NAME
NO MARK	CARBON FILM RESISTOR (P=5)
□	CARBON FILM RESISTOR (P=10)
△	METAL OXIDE FILM RESISTOR
▲	METAL FILM RESISTOR
⊠	METAL PLATE RESISTOR
▨	FILM PROOF CARBON FILM RESISTOR
■	CEMENT MOLDED RESISTOR
⊙	SEMI VARIABLE RESISTOR
■	CHIP RESISTOR

CAPACITOR

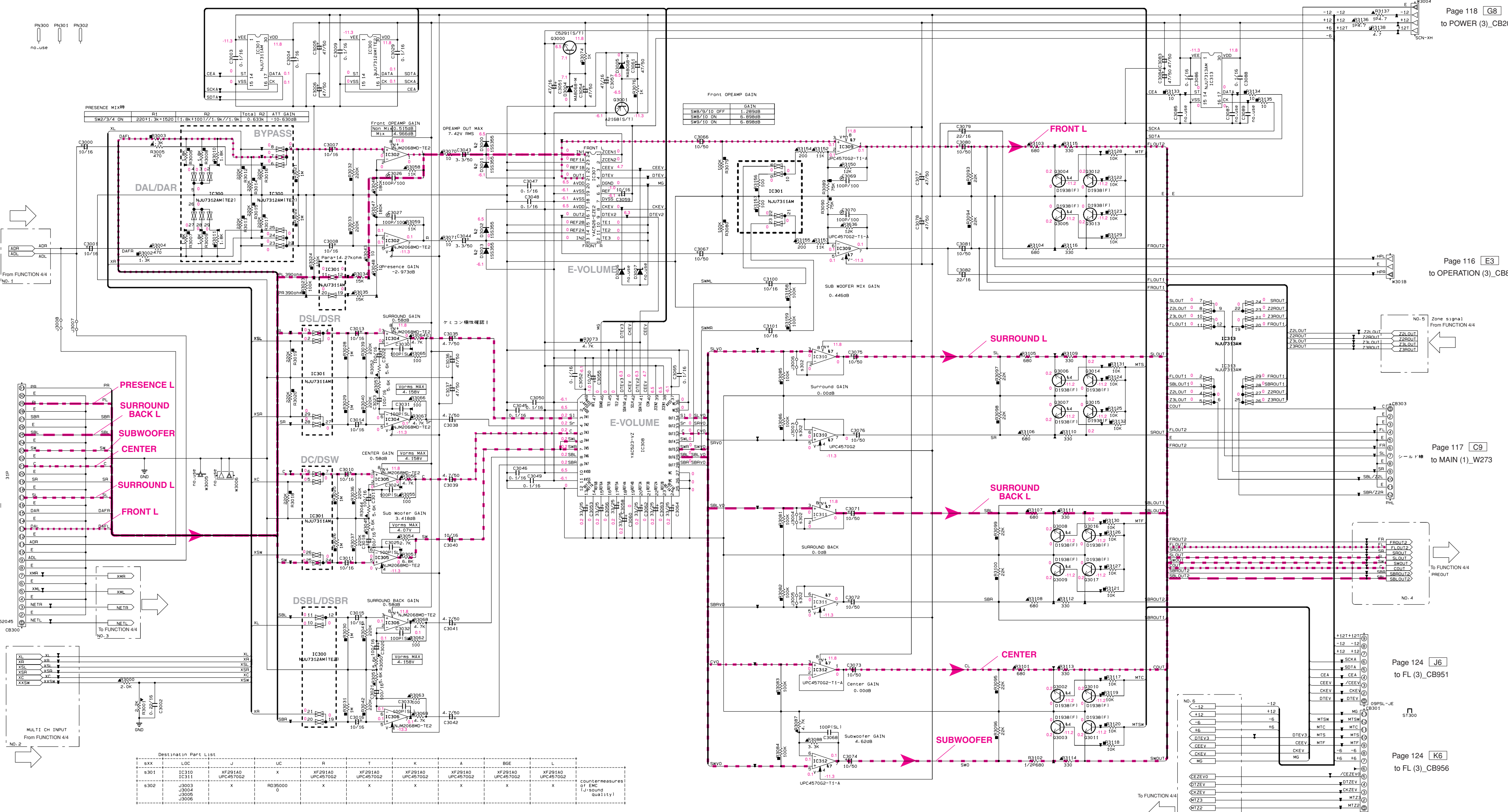
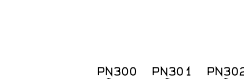
REMARKS	PARTS NAME
NO MARK	ELECTROLYTIC CAPACITOR
⊙	TANTALUM CAPACITOR
NO MARK	CERAMIC CAPACITOR
●	CERAMIC TUBULAR CAPACITOR
⊙	POLYESTER FILM CAPACITOR
○	POLYSTYRENE FILM CAPACITOR
①	MICA CAPACITOR
⊙	POLYPROPYLENE FILM CAPACITOR
●	SEMICONDUCTIVE CERAMIC CAPACITOR
⊙	POLYPHENYLENE SULFIDE FILM CAPACITOR

★ All voltages are measured with a 10MΩ/V DC electronic voltmeter.
 ★ Components having special characteristics are marked with a triangle and must be replaced with parts having specifications equal to those originally installed.
 ★ Schematic diagram is subject to change without notice.

● 電圧は、内部抵抗10MΩの電圧計で測定したものです。
 ● 印のある部品は、安全性確保部品を示しています。部品の交換が必要な場合、パーツリストに記載されている部品を使用してください。
 ● 本回路図は標準回路図です。改良のため予告なく変更することがございます。

FUNCTION 3/4

FUNCTION (2)



Page 118 [G8] to POWER (3)_CB20

Page 116 [E3] to OPERATION (3)_CB806

Page 117 [C9] to MAIN (1)_W273

Page 124 [J6] to FL (3)_CB951

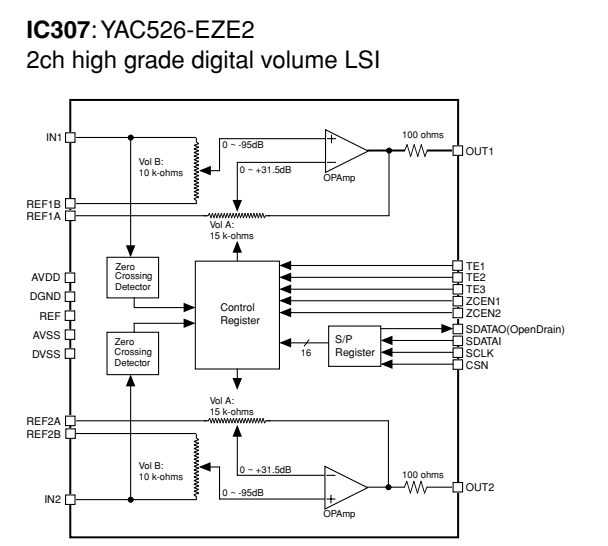
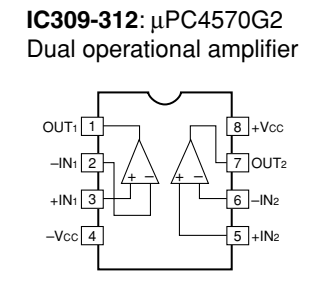
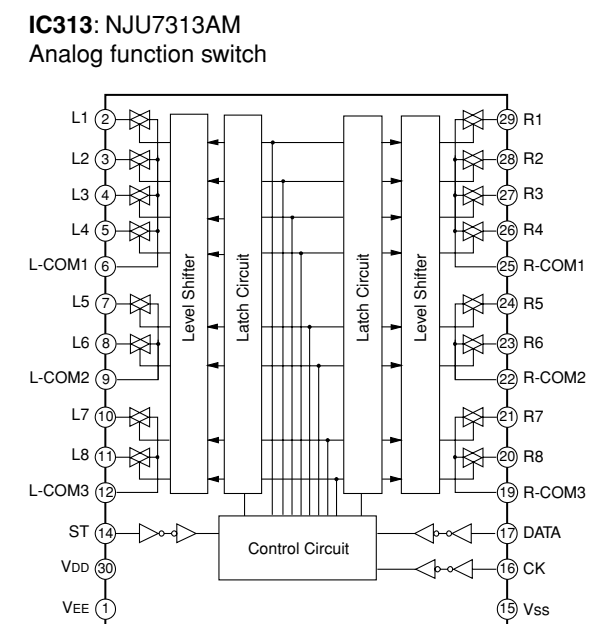
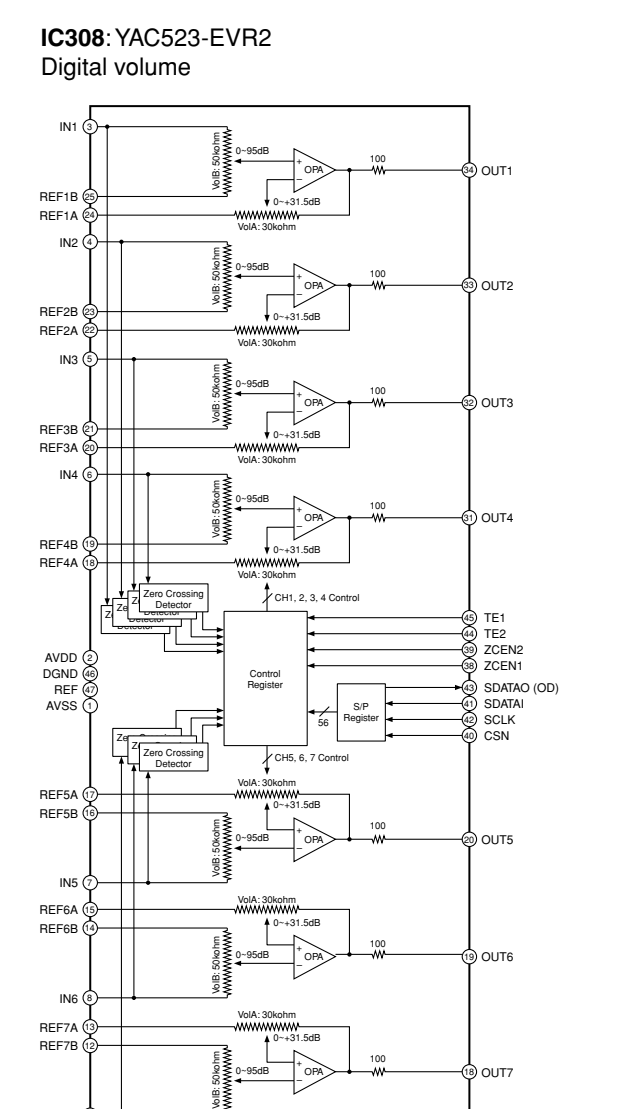
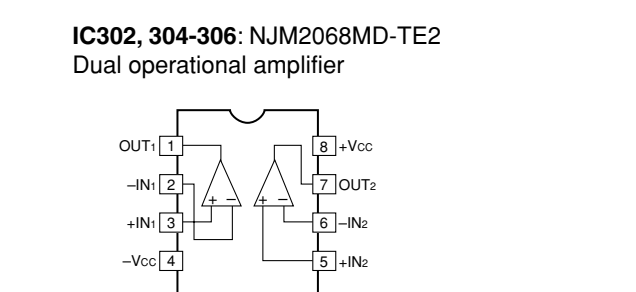
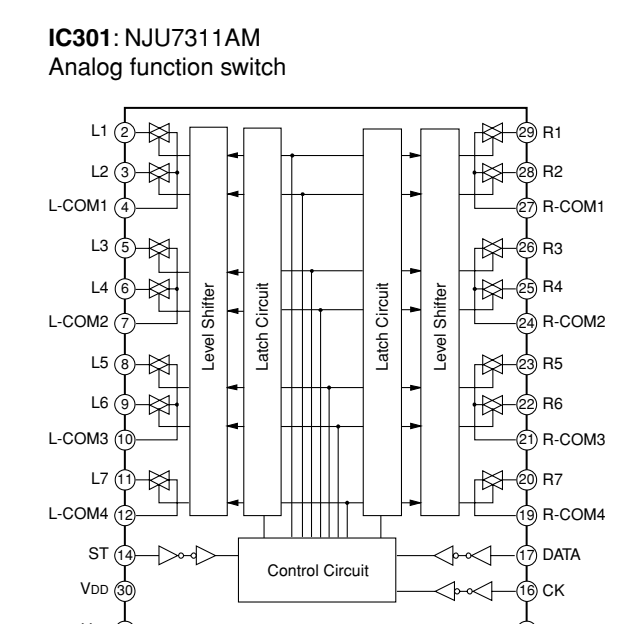
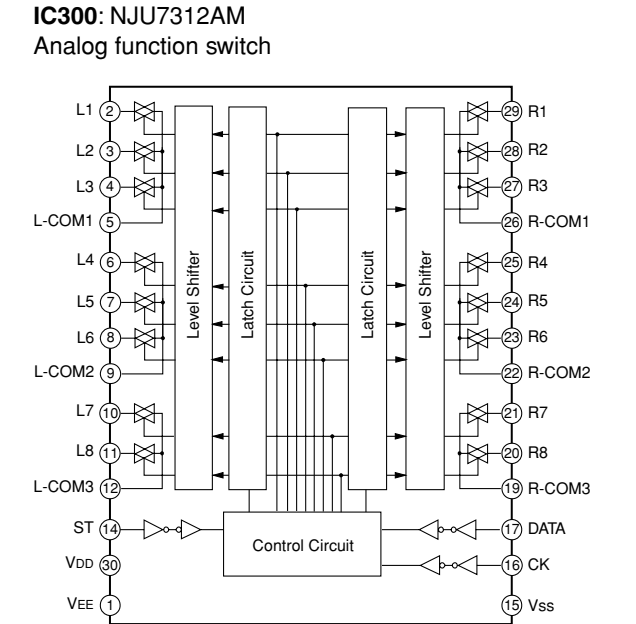
Page 124 [K6] to FL (3)_CB956

Destination Part List	UC	R	C	A	DOC	Countermeasures of EMC (Reference to G8111)
1901 IC310 HF29140 UPC45702G	X					
1902 IC311 HF29140 UPC45702G	X					
1903 J3003 J3004 J3006						

10kΩ 14dB	TOTAL	変換計算	TOTAL
FRONT	0.0 12.5 1.5 14.0	FRONT	0.515 12.5 1.289 14.304
CENTER	0.0 14.0 0.0 14.0	CENTER	0.582 14.0 0.0 14.582
SURROUND	0.0 14.0 0.0 14.0	SURROUND	0.582 14.0 0.0 14.582
SURROUND BACK	0.0 14.0 0.0 14.0	SURROUND BACK	0.582 14.0 0.0 14.582
SUB WOOFER	0.0 6.0 0.0 6.0	SUB WOOFER	3.418 6.0 0.0 6.418
ZONE 4, ZONE 3	0.0 14.0 0.0 14.0	ZONE 4, ZONE 3	0.0 14.0 0.0 14.000

REMARKS	PARTS NAME	CAPACITOR	PARTS NAME
NO MARK	CARBON FILM RESISTOR (P=5)	REMARKS	(mode 1)
△	METAL OXIDE FILM RESISTOR (P=10)	NO MARK	ELECTROLYTIC CAPACITOR
□	METAL FILM RESISTOR	⊗	TANTALUM CAPACITOR
◇	METAL PLATE RESISTOR	⊙	CERAMIC TUBULAR CAPACITOR
■	FINE PROF. CARBON FILM RESISTOR	⊖	POLYESTER FILM CAPACITOR
□	CEMENT MOLDED RESISTOR	⊕	POLYSTYRENE FILM CAPACITOR
□	SEMI VARIABLE RESISTOR	⊙	MICA CAPACITOR
■	CHIP RESISTOR	⊖	POLYPROPYLENE FILM CAPACITOR
		⊕	SEMICONDUCTIVE CERAMIC CAPACITOR
		⊙	POLYPHENYLENE SULFIDE FILM CAPACITOR

NOTICE (mode 1)
 (J)..... JAPAN
 (U)..... U.S.A
 (C)..... CANADA
 (A)..... GENERAL
 (T)..... CHINA
 (K)..... KOREA
 (A)..... AUSTRALIA
 (B)..... BRITAIN
 (G)..... EUROPE
 (L)..... SINGAPORE
 (E)..... SOUTH EUROPE
 (V)..... TAIWAN



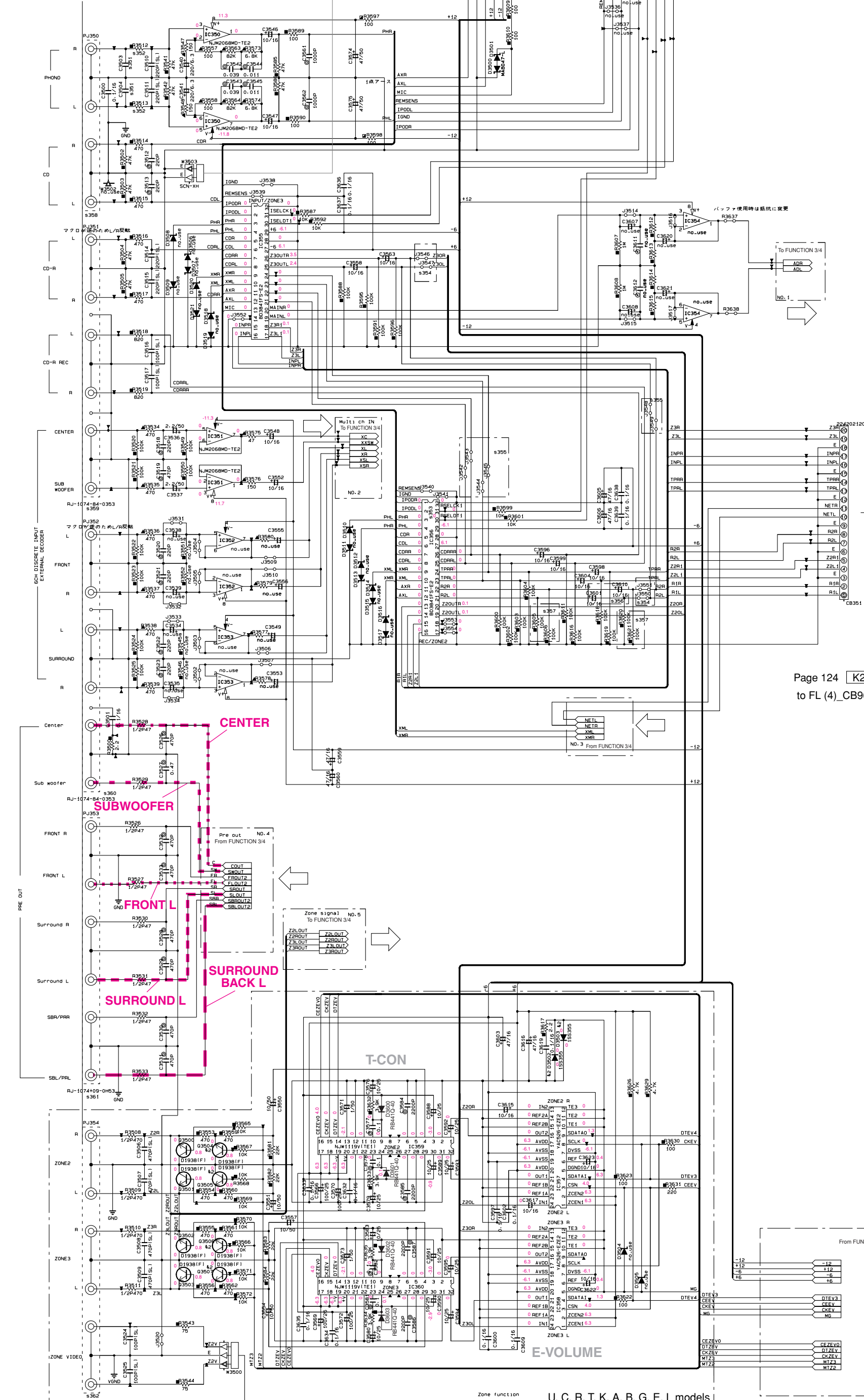
★ All voltages are measured with a 10MΩ/V DC electronic voltmeter.
 ★ Components having special characteristics are marked with a triangle (▲), and must be replaced with parts having specifications equal to those originally installed.
 ★ Schematic diagram is subject to change without notice.
 ● 電圧は、内部抵抗10MΩの電圧計で測定したものです。
 ● ▲印のある部品は、安全性確保部品を示しています。部品の交換が必要な場合、パーツリストに記載されている部品を使用してください。
 ● 本回路図は標準回路図です。改良のため予告なく変更することがございます。

FUNCTION 4/4

Page 116 [E3] to OPERATION (3)_CB806 Page 124 [G6] to FL (2)_CB967

FUNCTION (2)

Page 111 [E2] to DSP_CB560



Page 124 [K2] to FL (4)_CB965

Page 120 [H8] to A-VIDEO_CB209

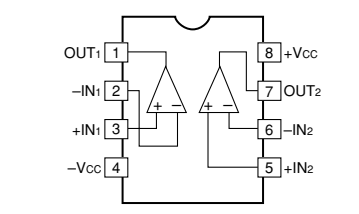
Table with columns for IC part numbers and their pin connections. Includes a legend for country codes (U, J, C, B, T, K, A, B, G, E, L) and a list of resistor and capacitor types.

NOTICE (model) (U) JAPAN (J) U.S.A. (C) CANADA (B) GENERAL (T) CHINA (K) KOREA (A) AUSTRALIA (G) BRITISH (L) SINGAPORE (E) SOUTH EUROPE (V) TAIWAN

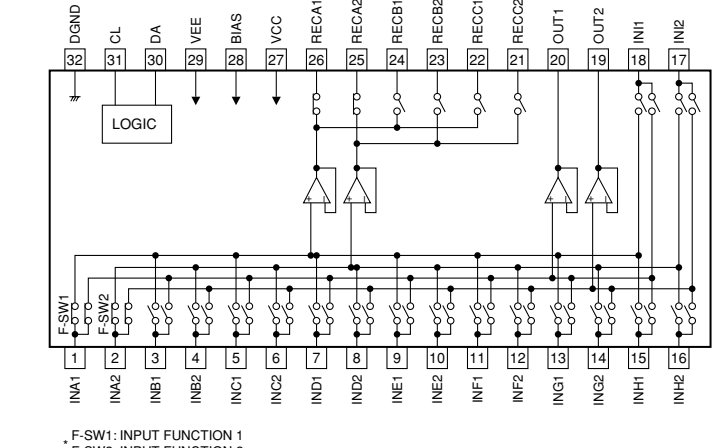
RESISTOR PARTS NAME table listing various resistor types like CARBON FILM RESISTOR, METAL FILM RESISTOR, etc.

CAPACITOR PARTS NAME table listing various capacitor types like ELECTROLYTIC CAPACITOR, TANTALUM CAPACITOR, etc.

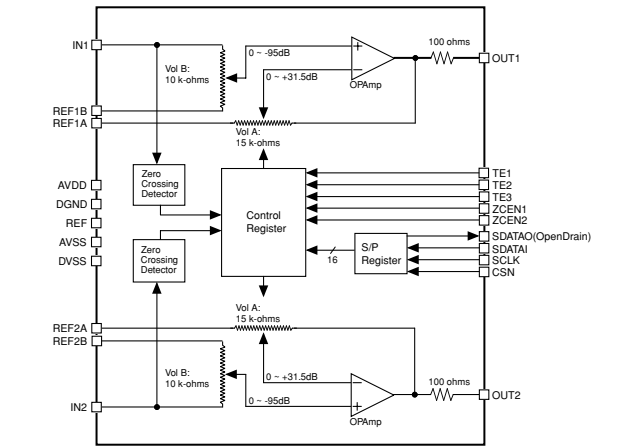
IC350, 351: NJM2068MD-TE2 Dual operational amplifier



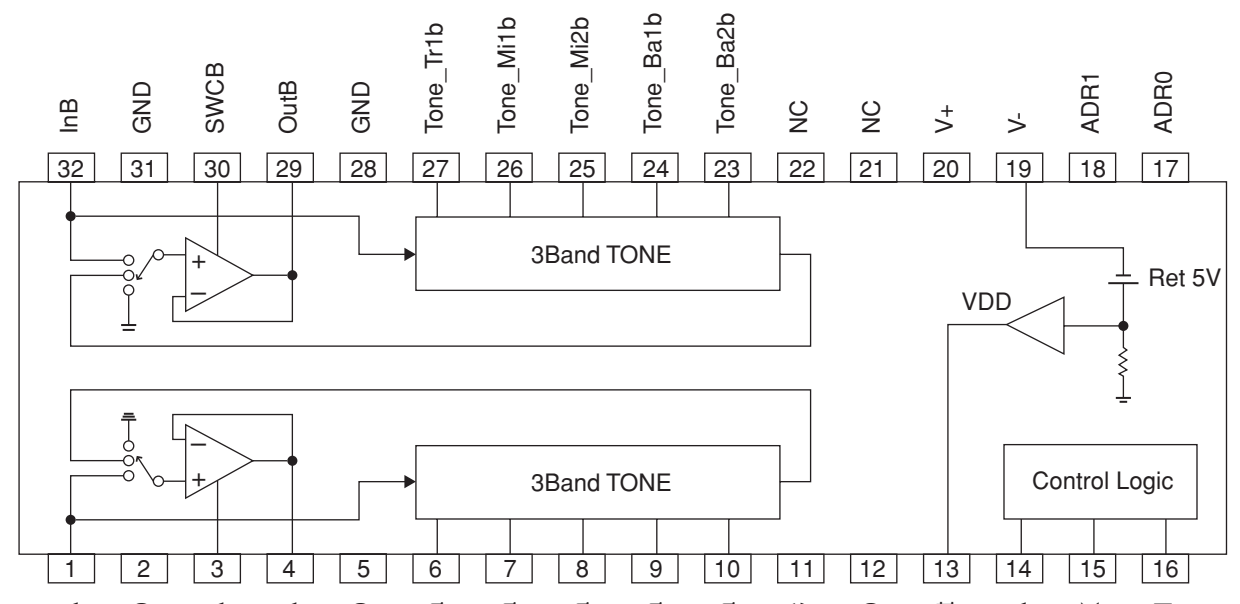
IC355, 356: BD3841FS Function switch



IC357, 358: YAC526-EZE2 2ch high grade digital volume LSI



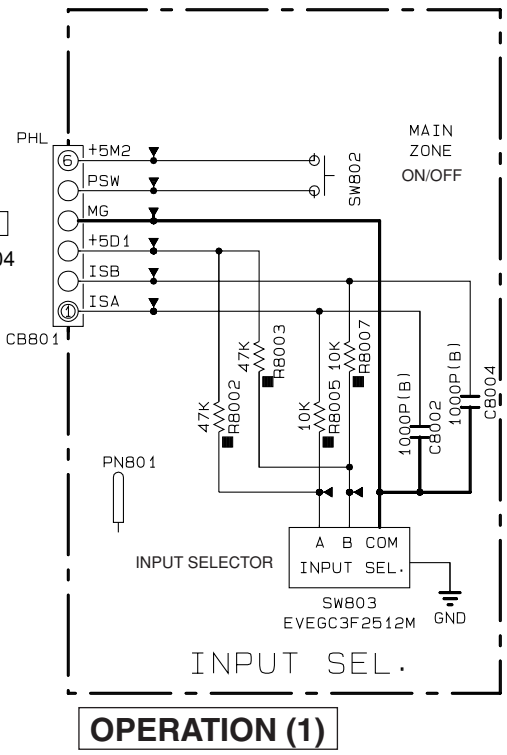
IC359, 360: NJW1119V(Te1) 3band tone control



* All voltages are measured with a 10MΩ/V DC electronic voltmeter. * Components having special characteristics are marked with a triangle and must be replaced with parts having specifications equal to those originally installed. * Schematic diagram is subject to change without notice. * 電圧は、内部抵抗10MΩの電圧計で測定したものです。 * 印のある部品は、安全性確保部品を示しています。部品の交換が必要な場合、パーツリストに記載されている部品を使用してください。 * 本回路図は標準回路図です。改良のため予告なく変更することがございます。

OPERATION

Page 123 [H6]
to FL (1)_W9004



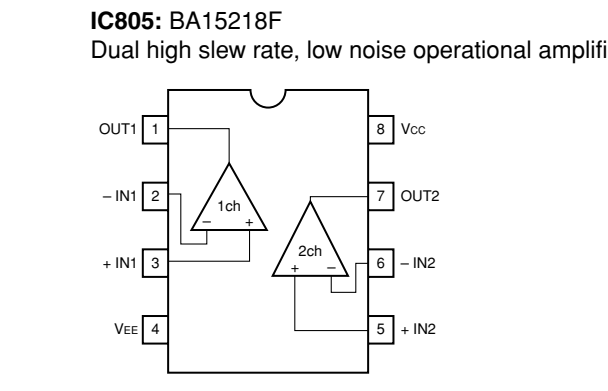
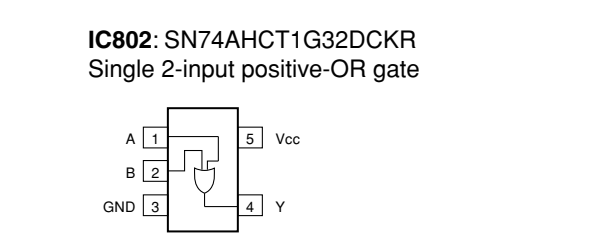
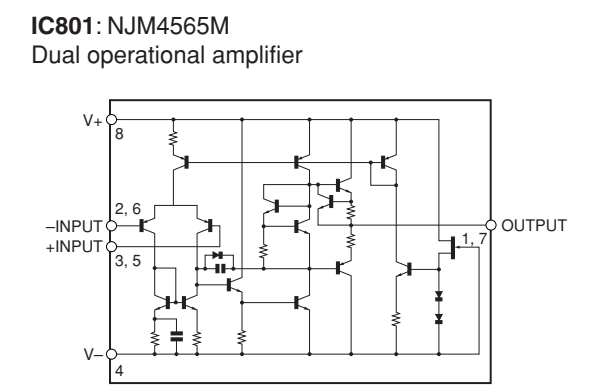
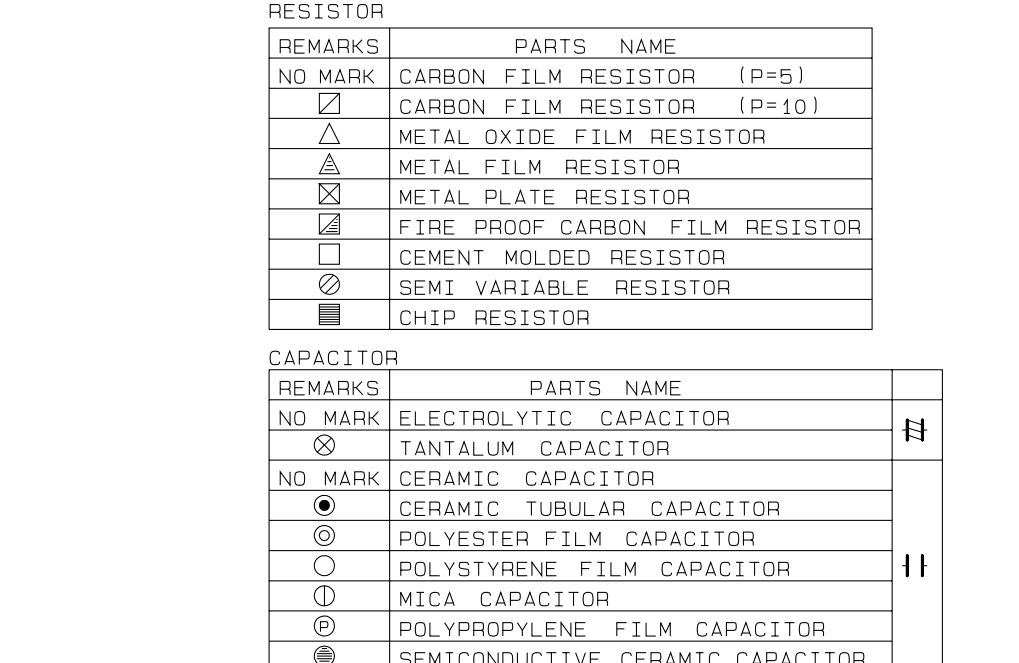
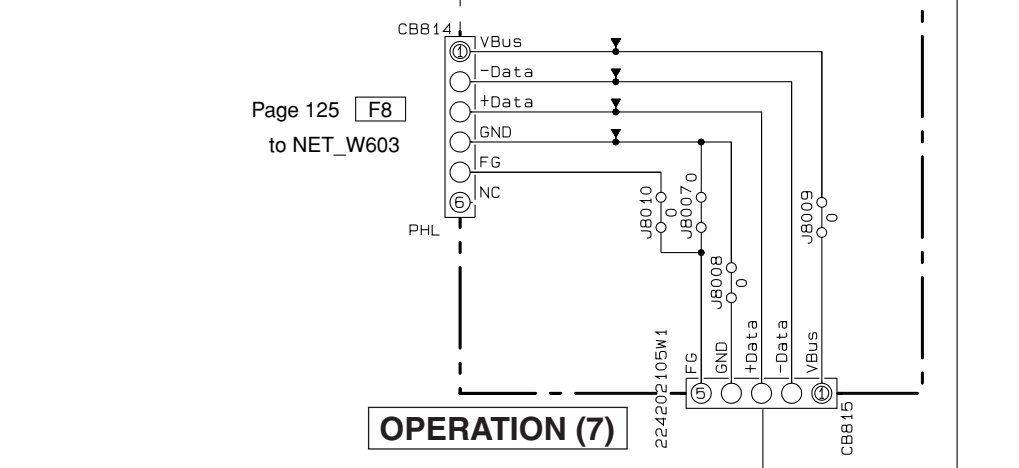
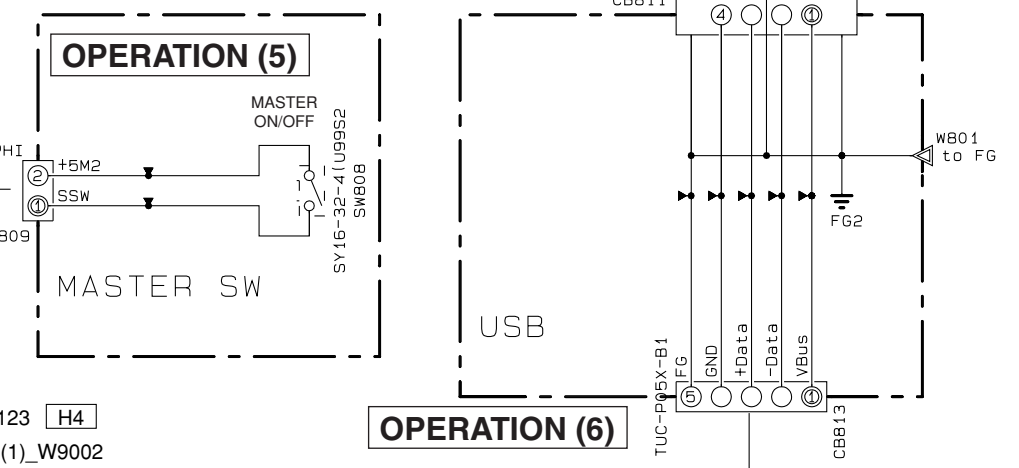
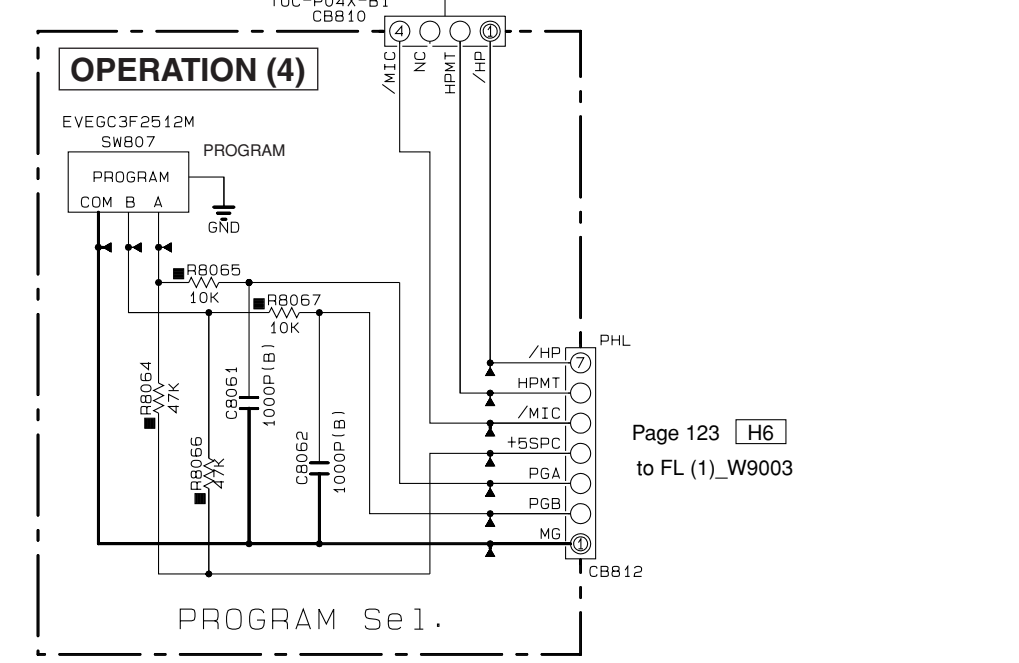
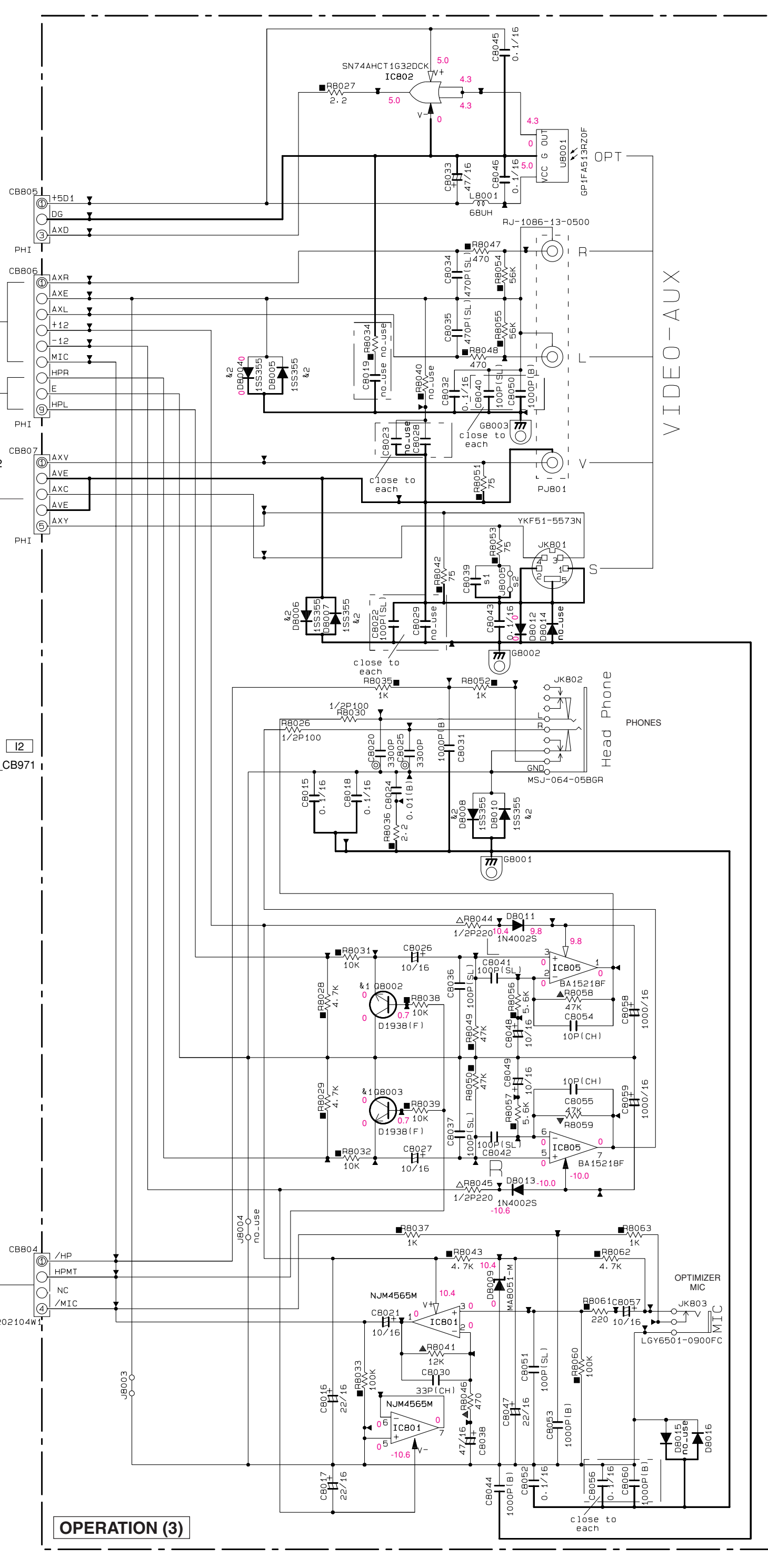
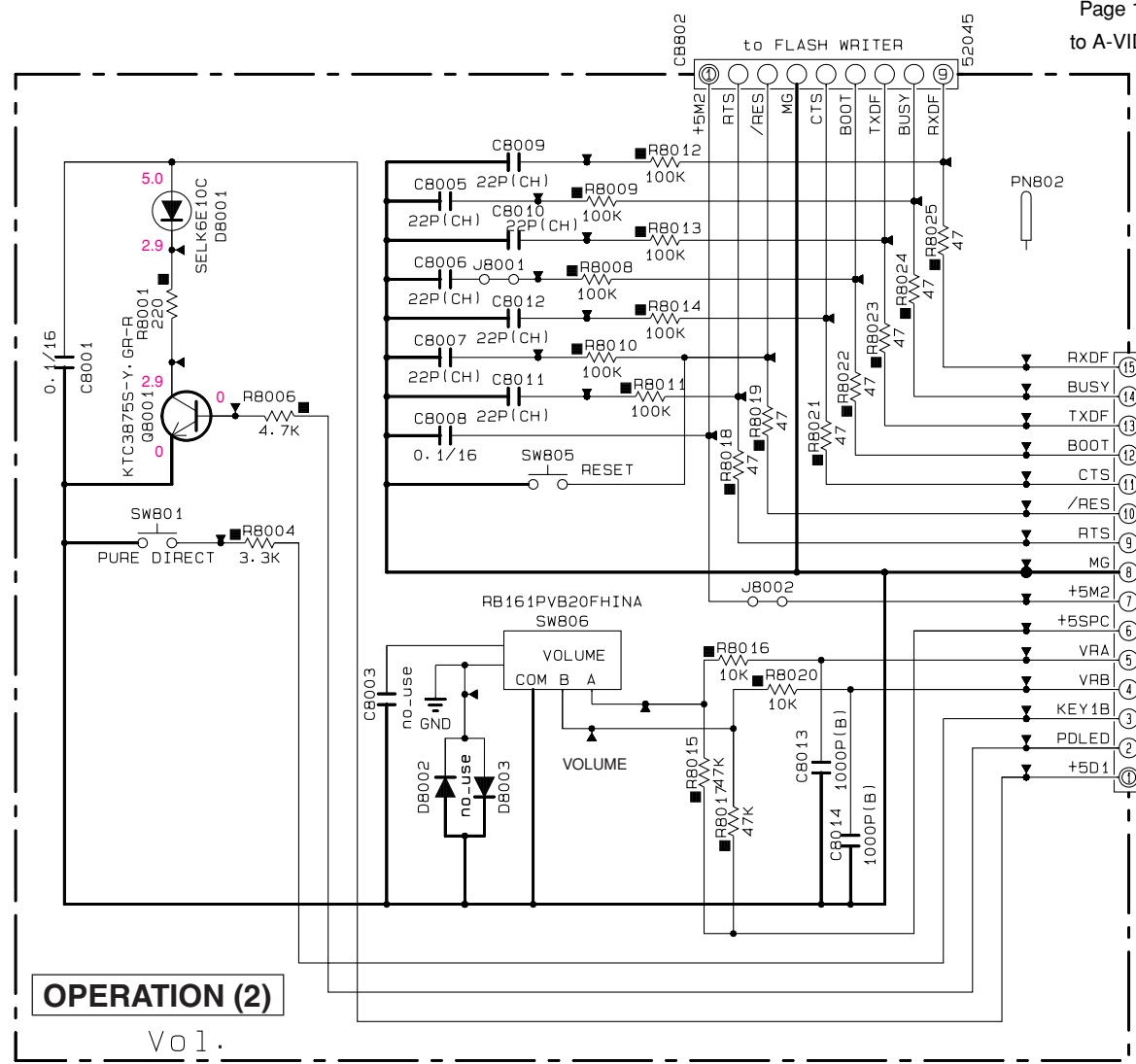
Page 109 [F2]
to DSP_W5001

Page 115 [D2]
to FUNCTION (2)_W301A

Page 114 [L4]
to FUNCTION (2)_W301B

Page 120 [C2]
to A-VIDEO_W2002

Page 124 [I2]
to FL (2)_CB971



REMARKS	PARTS NAME
NO MARK	CARBON FILM RESISTOR (P=5)
□	CARBON FILM RESISTOR (P=10)
△	METAL OXIDE FILM RESISTOR
▲	METAL FILM RESISTOR
⊠	METAL PLATE RESISTOR
⊞	FIRE PROOF CARBON FILM RESISTOR
□	CEMENT MOLDED RESISTOR
⊞	SEMI VARIABLE RESISTOR
■	CHIP RESISTOR

REMARKS	PARTS NAME
NO MARK	ELECTROLYTIC CAPACITOR
⊗	TANTALUM CAPACITOR
NO MARK	CERAMIC CAPACITOR
●	CERAMIC TUBULAR CAPACITOR
⊙	POLYESTER FILM CAPACITOR
○	POLYSTYRENE FILM CAPACITOR
⊖	MICA CAPACITOR
⊕	POLYPROPYLENE FILM CAPACITOR
⊗	SEMICONDUCTIVE CERAMIC CAPACITOR

IMPLEMENTATION:
INPUT SELECTOR
VOLUME
VIDEO-AUX
HEAD PHONE AMP
MIC AMP
PROGRAM SELECTOR
MASTER SWITCH
USB CONNECTOR

Interchangeable Parts at Manufacture-Stage

Mark	Reference Parts Number	Parts Name
k1	08002-8003	2SD1938(F) 2SC3361(A/B) 2SC5938(A/B) 2SD2704K
k2	D8004-8008, 8010	1SS335S MA111 KDS160-RTK/P

NOTICE (model)

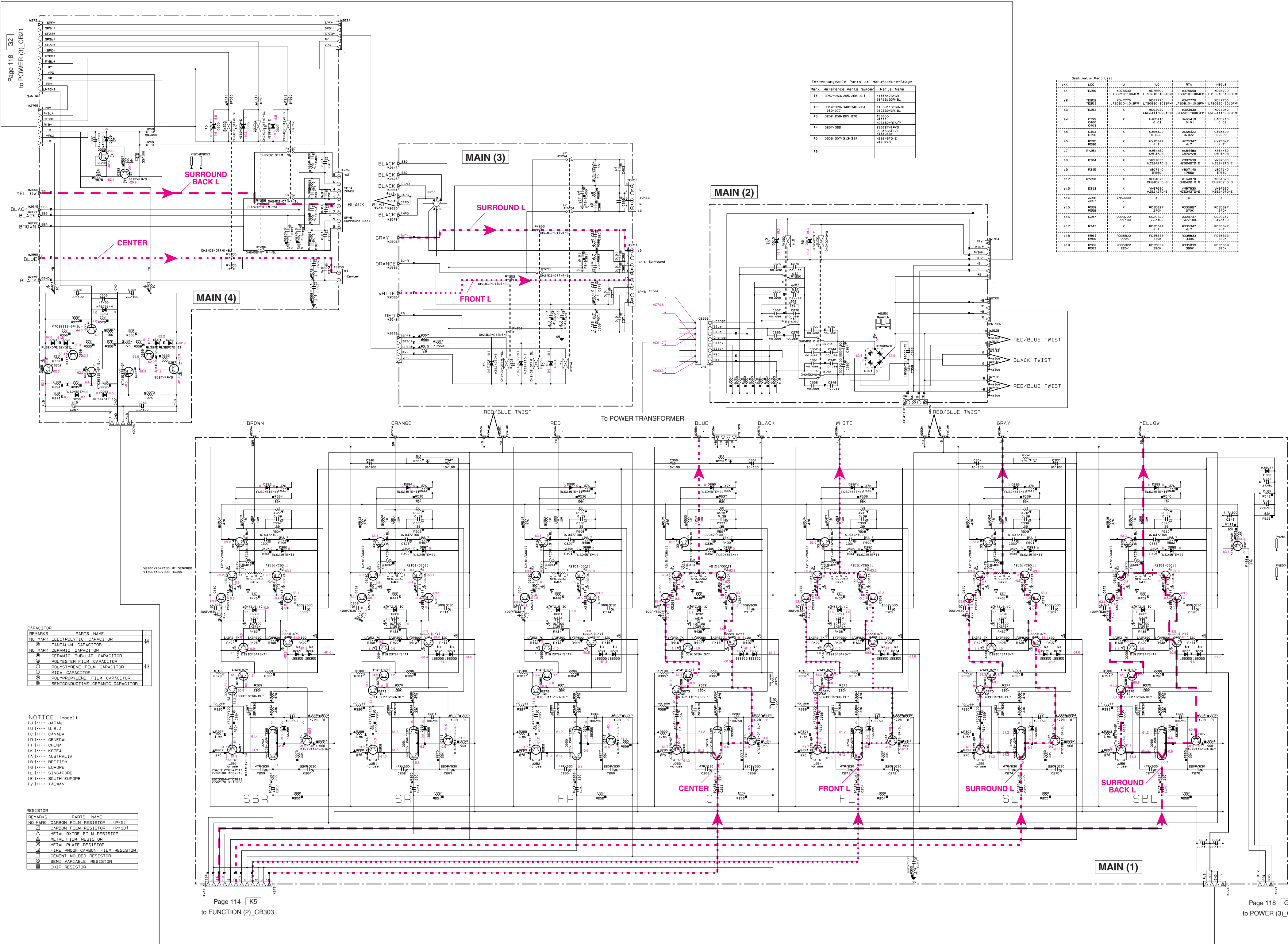
- (J)..... JAPAN
- (U)..... U.S.A
- (C)..... CANADA
- (R)..... GENERAL
- (T)..... CHINA
- (K)..... KOREA
- (A)..... AUSTRALIA
- (B)..... BRITISH
- (G)..... EUROPE
- (L)..... SINGAPORE
- (E)..... SOUTH EUROPE
- (V)..... TAIWAN

Destination	Part List
s1	CB039 US13510 X
s2	J8008 X RD35000

★ All voltages are measured with a 10MΩ/V DC electronic voltmeter.
★ Components having special characteristics are marked with a triangle and must be replaced with parts having specifications equal to those originally installed.
★ Schematic diagram is subject to change without notice.

●電圧は、内部抵抗10MΩの電圧計で測定したものです。
●△印のある部品は、安全性確保部品を示しています。部品の交換が必要な場合、パーツリストに記載されている部品を使用してください。
●本回路図は標準回路図です。改良のため予告なく変更することがございます。

MAIN



Interchangeable Parts at Manufacture Stage

Part No.	Reference Designator	Part Name	Part No.	Part Name
K1	0207-203-205-208-201	4748175-GR	4748175-GR	4748175-GR
K2	0314-100-340-346-304	02413109-RL	02413109-RL	02413109-RL
K3	0207-208-200-278	4748175-GR	4748175-GR	4748175-GR
K4	0207-302	02027474-1/3	02027474-1/3	02027474-1/3
K5	0202-307-313-314	4748175-GR	4748175-GR	4748175-GR
K6				

Designated Part List

LOC	J	UC	HTA	MSLE
K1	TE290	4748175-GR	4748175-GR	4748175-GR
K2	TE290	02413109-RL	02413109-RL	02413109-RL
K3	TE293	4748175-GR	4748175-GR	4748175-GR
K4	C300	02027474-1/3	02027474-1/3	02027474-1/3
K5	C300	4748175-GR	4748175-GR	4748175-GR
K6	C300	4748175-GR	4748175-GR	4748175-GR
K7	C300	4748175-GR	4748175-GR	4748175-GR
K8	C300	4748175-GR	4748175-GR	4748175-GR
K9	C300	4748175-GR	4748175-GR	4748175-GR
K10	C300	4748175-GR	4748175-GR	4748175-GR
K11	C300	4748175-GR	4748175-GR	4748175-GR
K12	C300	4748175-GR	4748175-GR	4748175-GR
K13	C300	4748175-GR	4748175-GR	4748175-GR
K14	C300	4748175-GR	4748175-GR	4748175-GR
K15	C300	4748175-GR	4748175-GR	4748175-GR
K16	C300	4748175-GR	4748175-GR	4748175-GR
K17	C300	4748175-GR	4748175-GR	4748175-GR
K18	C300	4748175-GR	4748175-GR	4748175-GR
K19	C300	4748175-GR	4748175-GR	4748175-GR

CAPACITOR

REMARKS	PARTS NAME
NO MARK	ELECTROLYTIC CAPACITOR
⊙	TANTALUM CAPACITOR
⊙	CERAMIC CAPACITOR
⊙	CERAMIC TUBULAR CAPACITOR
⊙	DIELECTRIC FILM CAPACITOR
⊙	POLYESTER FILM CAPACITOR
⊙	MICA CAPACITOR
⊙	POLYPROPYLENE FILM CAPACITOR
⊙	PERIODIC CERAMIC CAPACITOR

NOTICE (page 1)

(J)..... JAPAN
 (U)..... U.S.A
 (C)..... CANADA
 (B)..... GENERAL
 (T)..... CHINA
 (K)..... KOREA
 (A)..... AUSTRALIA
 (E)..... BRITISH
 (G)..... EUROPE
 (L)..... SINGAPORE
 (S)..... SOUTH EUROPE
 (V)..... TAIWAN

RESISTOR

REMARKS	PARTS NAME
NO MARK	CARBON FILM RESISTOR (1/4W)
⊙	CARBON FILM RESISTOR (1/10W)
⊙	METAL OXIDE FILM RESISTOR
⊙	METAL FILM RESISTOR
⊙	METAL CLATE RESISTOR
⊙	FINE POWER CARBON FILM RESISTOR
⊙	CEMENT HOLED RESISTOR
⊙	SEMI-VARIABLE RESISTOR
⊙	DRIP RESISTOR

Page 114 [K5]
to FUNCTION (2)_CB303

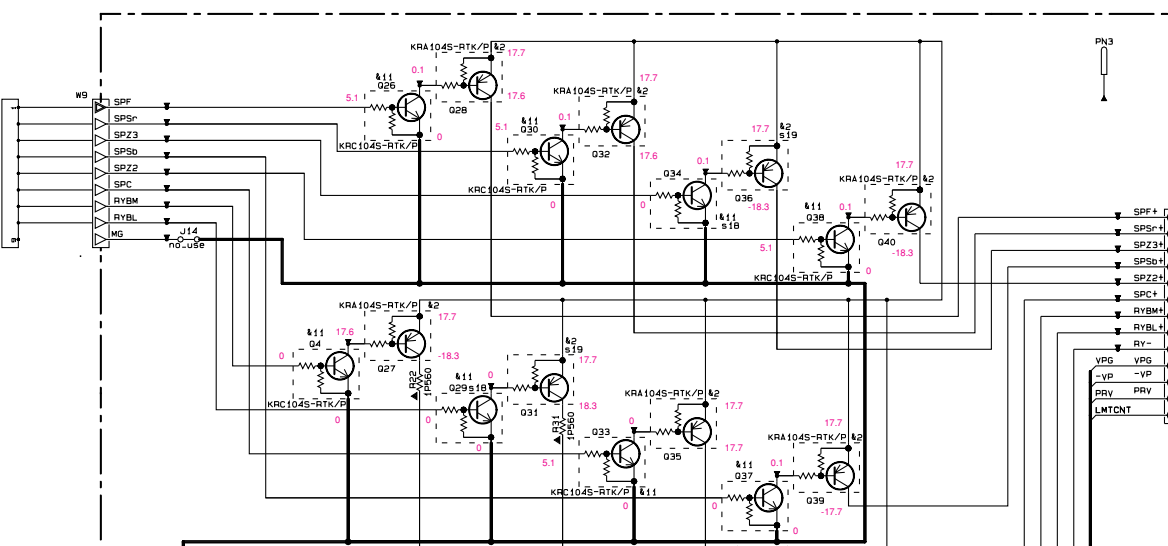
Page 118 [G8]
to POWER (3)_CB19

★ All voltages are measured with a 10MΩ/V DC electronic voltmeter.
 ★ Components having special characteristics are marked ⊙ and must be replaced with parts having specifications equal to those originally installed.
 ★ Schematic diagram is subject to change without notice.
 ● 電圧は、内部抵抗10MΩの電圧計で測定したものです。
 ● ⊙印のある部品は、安全性確保部品を示しています。部品の交換が必要な場合、パーツリストに記載されている部品を使用してください。
 ● 本回路図は標準回路図です。改良のため予告なく変更することがございます。

POWER

Table with 2 columns: Ref. No. and Part Name. Lists interchangeable parts for various components like capacitors and resistors.

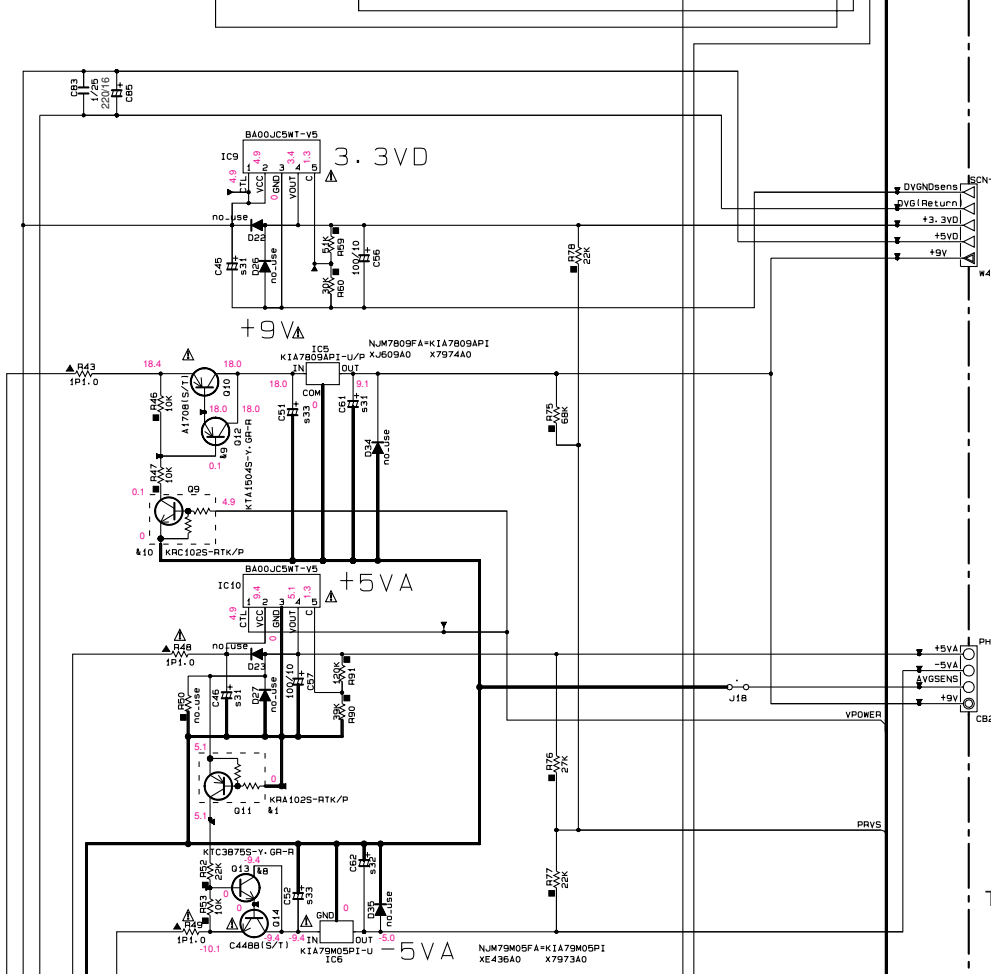
Page 112 [F8] to FUNCTION (1)_CB407



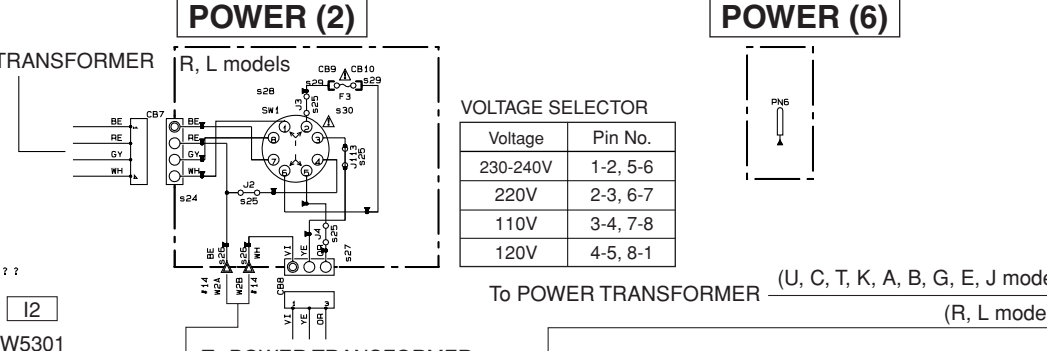
Page 117 [A2] to MAIN (4)_W272

Pin list table for the main board, listing pin numbers and their corresponding component designations.

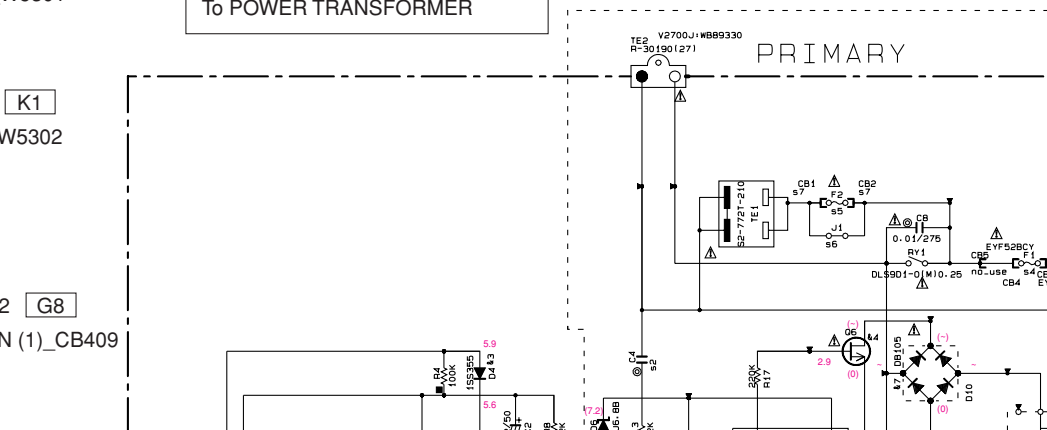
Page 122 [L8] to D-VIDEO_CB136



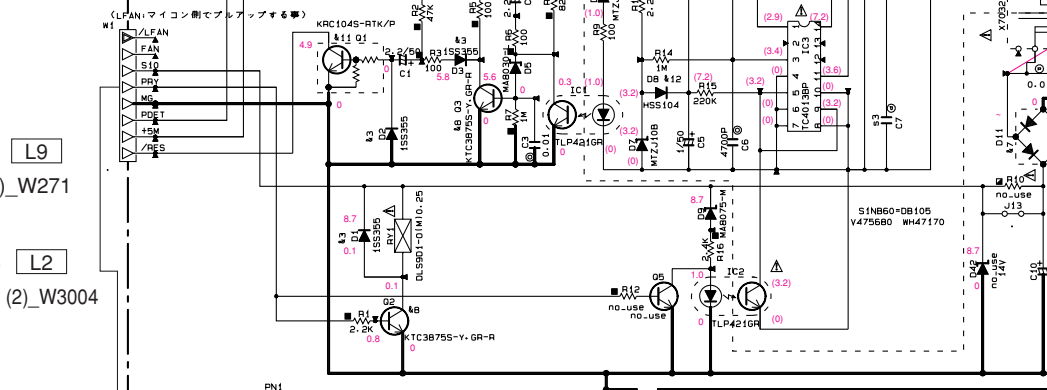
Page 120 [I3] to A-VIDEO_W2001



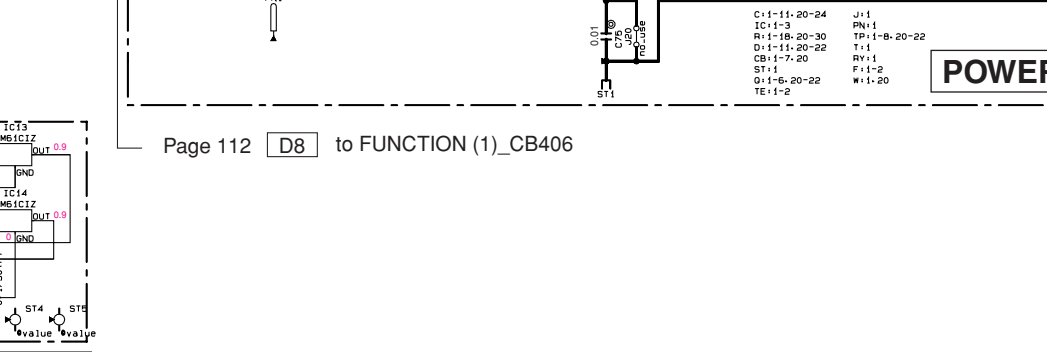
Page 110 [I2] to DSP_W5301



Page 110 [K1] to DSP_W5302



Page 112 [G8] to FUNCTION (1)_CB409



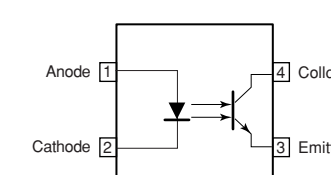
Page 117 [L9] to MAIN (1)_W271



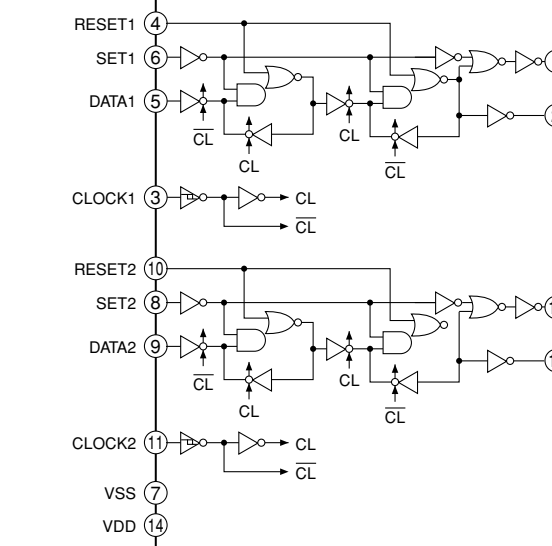
Page 114 [L2] to FUNCTION (2)_W3004



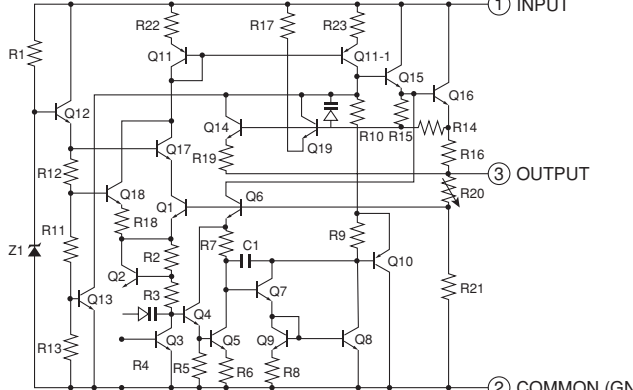
IC1, 2: TLP421 Photo transistor



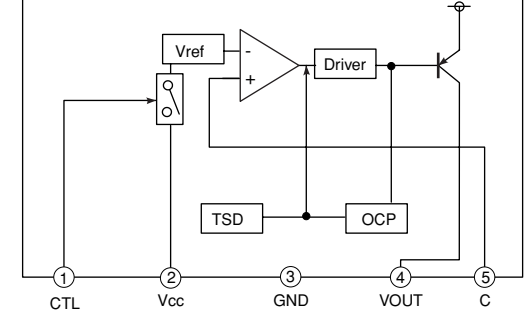
IC3: TC4013BP Dual D-type flip flop



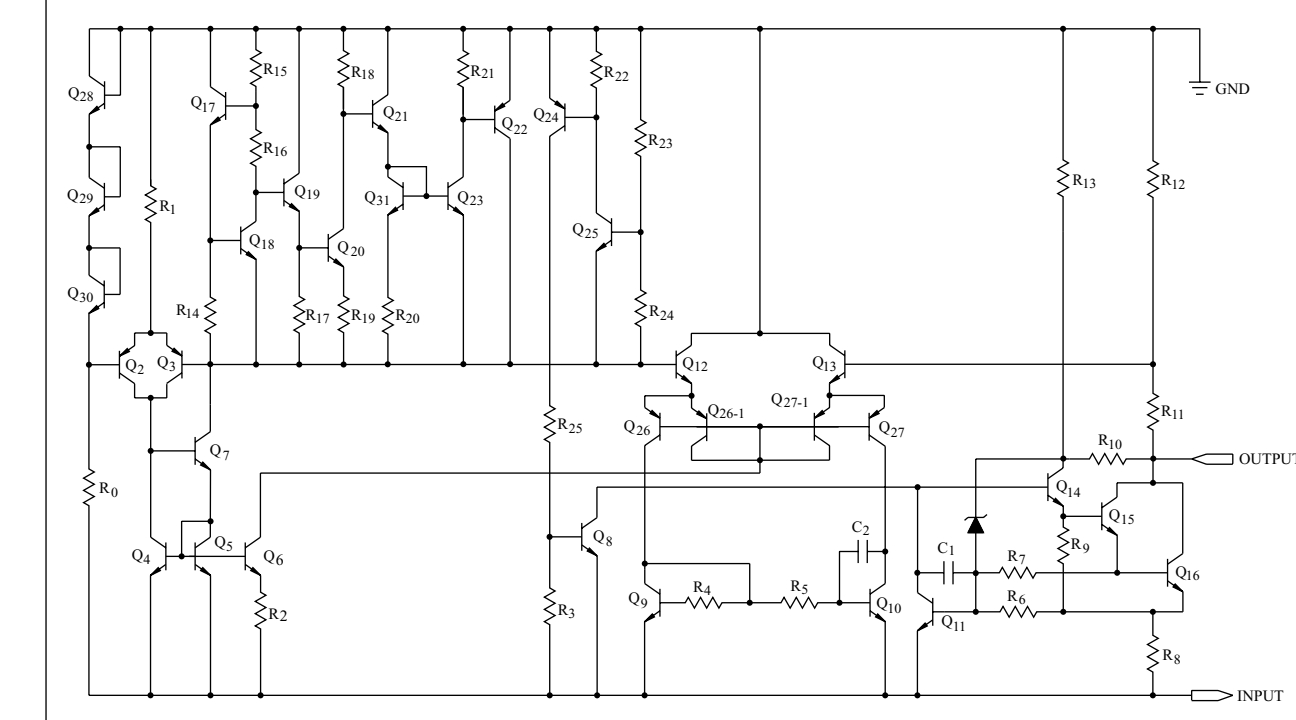
IC5: KIA7809API Voltage regulator



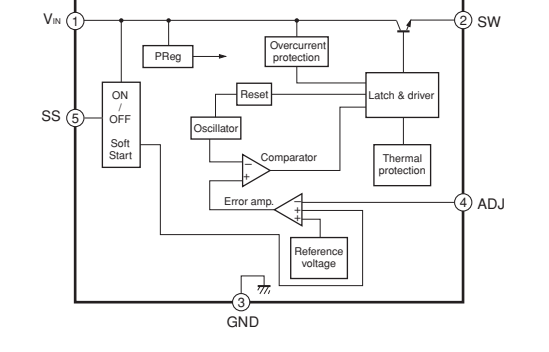
IC4: BA00JC5WT-V5 Voltage regulator



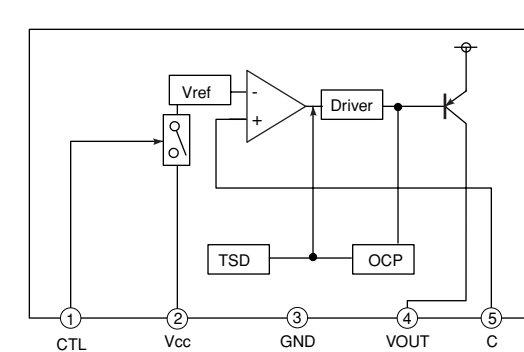
IC6: KIA79M05PI Bipolar linear integrated circuit



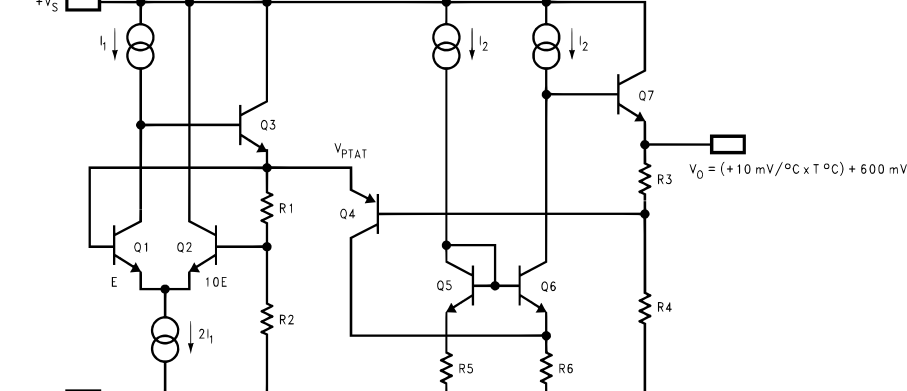
IC7, 8: SI-8008HFE Voltage regulator



IC9-12: BA00JC5WT-V5 Voltage regulator



IC13, 14: LM61CIZ Temperature sensor



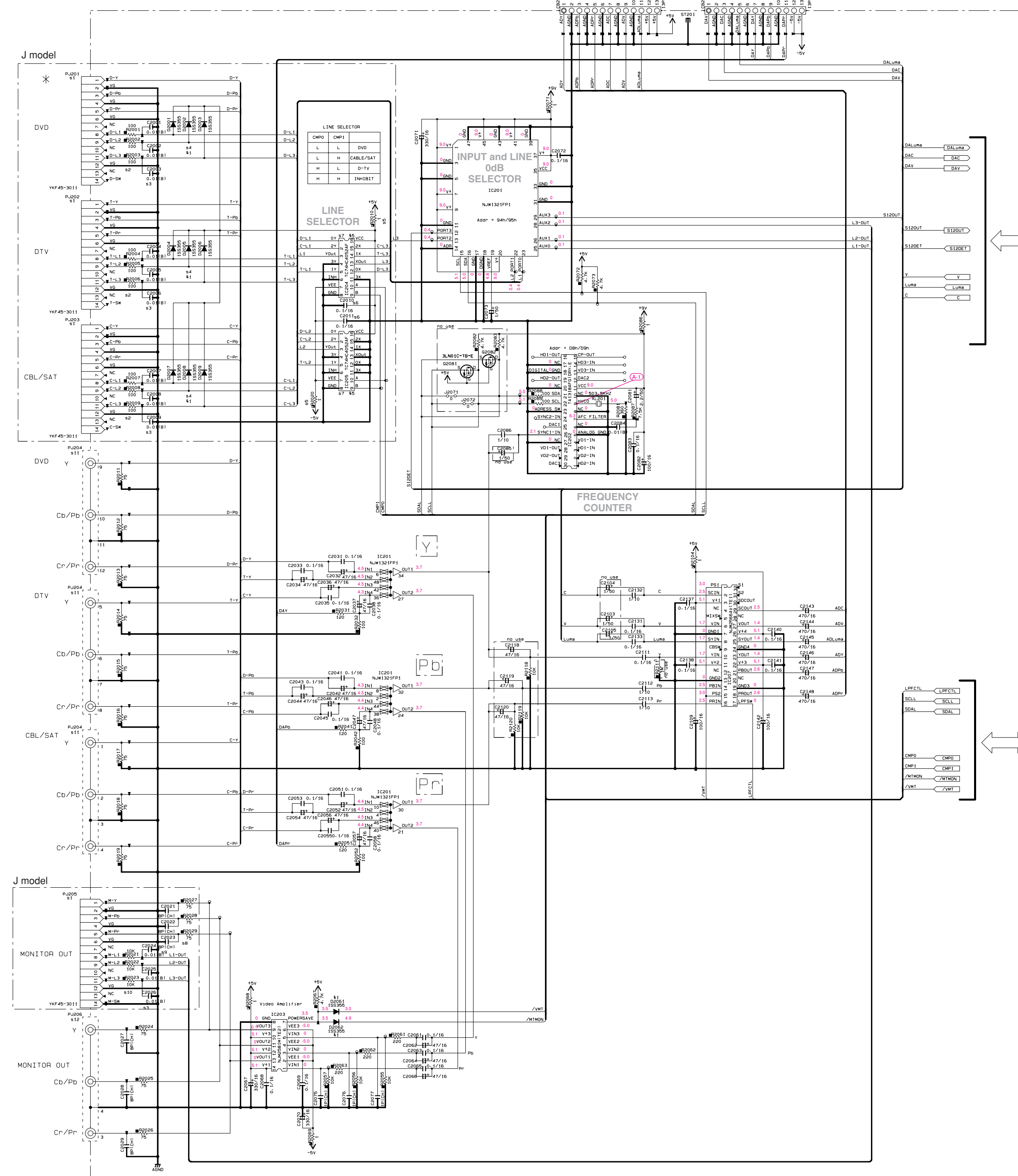
Notices and parts list table. Includes a notice in Japanese/English and a table of resistor and capacitor part numbers.

- List of technical notices and warnings. Includes instructions on how to read voltage values and safety warnings for components marked with an 'I'.

A-VIDEO 1/2

A-VIDEO

Page 122 [A2] to D-VIDEO_CB132 Page 122 [A2] to D-VIDEO_CB131



RESISTOR PARTS NAME table with columns for MARK, PARTS NAME, and REMARKS. Includes types like CARBON FILM RESISTOR, METAL OXIDE FILM RESISTOR, etc.

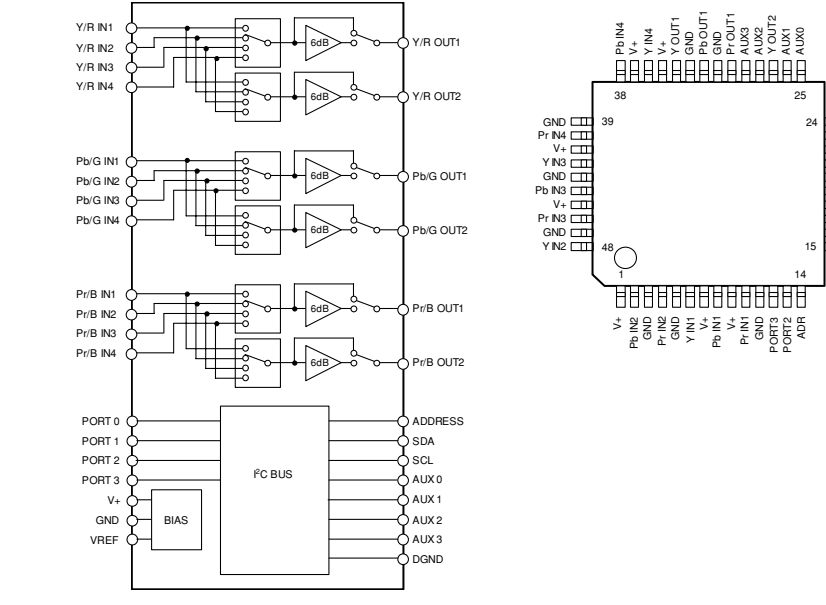
NOTICE (model) table listing country codes for various models: J (JAPAN), U.S.A., CANADA, GENERAL, CHINA, KOREA, AUSTRALIA, BRITISH EUROPE, SINGAPORE, SOUTH EUROPE, TAIWAN.

CAPACITOR PARTS NAME table with columns for MARK, PARTS NAME, and REMARKS. Includes types like ELECTROLYTIC CAPACITOR, TANTALUM CAPACITOR, CERAMIC TUBULAR CAPACITOR, etc.

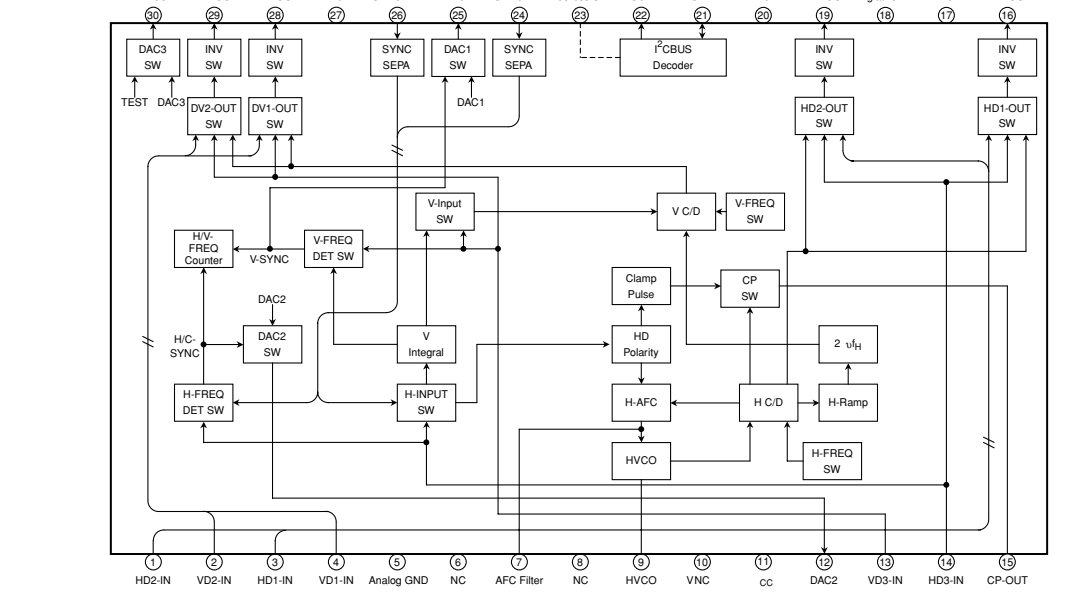
Component list table with columns for MARK, LOC, VALUE, U-C, S-K, T-A, B-S, L-E. Lists various resistors and capacitors used in the circuit.

Interchangeable Parts at Manufacture-Stage table with columns for MARK, Reference Parts Number, and Parts Name. Lists alternative part numbers for various components.

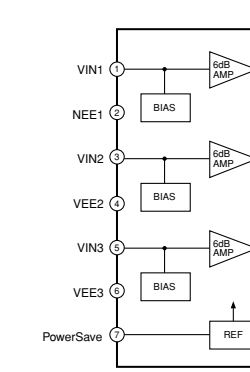
IC201: NJW1321FP1 Wide band video switch with FC bus



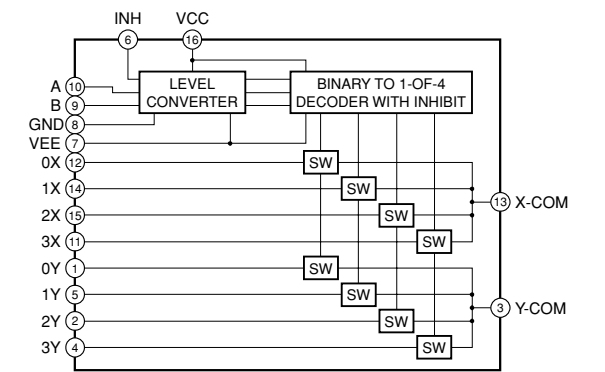
IC202: TA1318AF SYNC processor, frequency counter IC for TV component signals



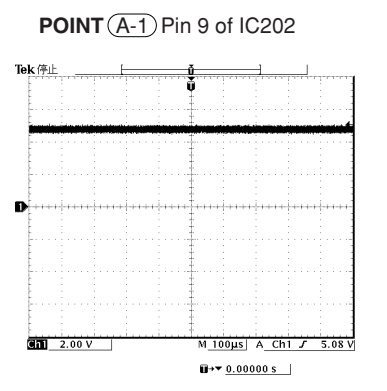
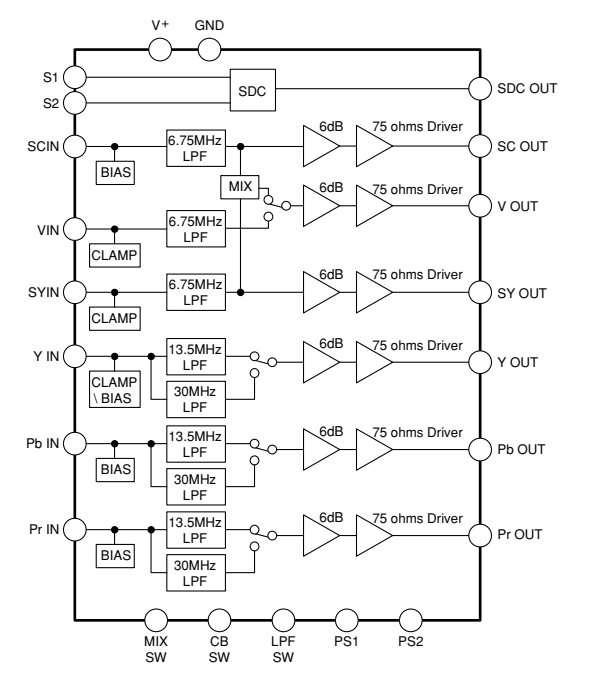
IC203: NJM2581M Video amplifier



IC204, 205: TC74HC4052AF Analog multiplexer/demultiplexer



IC207: NJM2566AV 6ch video amplifier for DVD

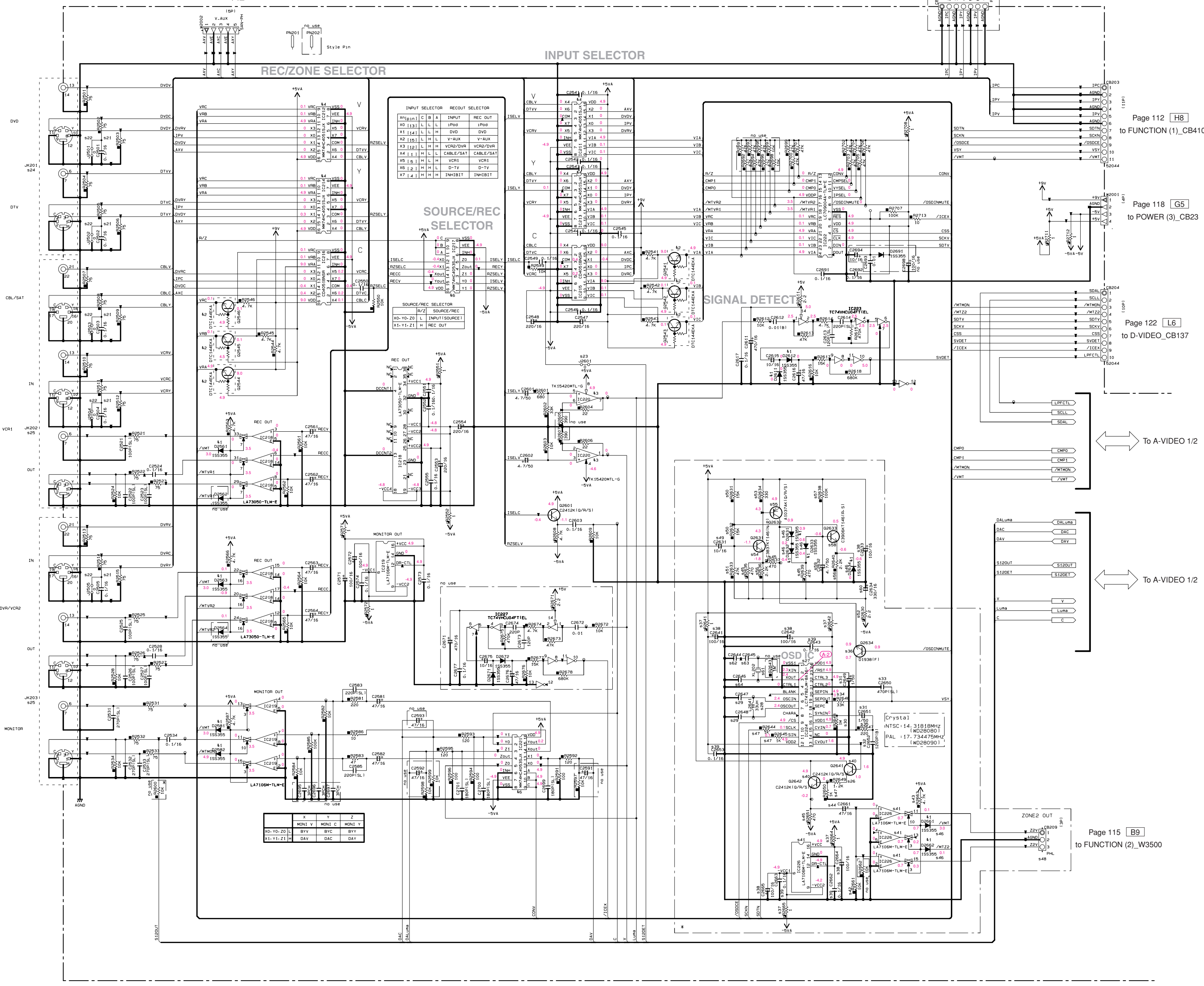


* All voltages are measured with a 10MΩ/V DC electronic voltmeter. * Components having special characteristics are marked ! and must be replaced with parts having specifications equal to those originally installed. * Schematic diagram is subject to change without notice. ● 電圧は、内部抵抗10MΩの電圧計で測定したものです。 ● !印のある部品は、安全性確保部品を示しています。部品の交換が必要な場合、パーツリストに記載されている部品を使用してください。 ● 本回路図は標準回路図です。改良のため予告なく変更することがございます。

A-VIDEO 2/2

A-VIDEO

Page 116 [E4] to OPERATION (3)_CB807



NOTICE (mode1)

- (J) JAPAN
(U) U.S.A
(C) CANADA
(R) GENERAL
(T) CHINA
(K) KOREA
(A) AUSTRALIA
(B) BRITISH
(G) EUROPE
(L) SINGAPORE
(E) SOUTH EUROPE
(V) TAIWAN

RESISTOR PARTS NAME table with columns for NO. MARK, RESISTOR, PARTS NAME, and VALUE.

CAPACITOR

CAPACITOR PARTS NAME table with columns for NO. MARK, CAPACITOR, PARTS NAME, and VALUE.

Page 112 [H8] to FUNCTION (1)_CB410

Page 118 [G5] to POWER (3)_CB23

Page 122 [L6] to D-VIDEO_CB137

To A-VIDEO 1/2

To A-VIDEO 1/2

To A-VIDEO 1/2

To A-VIDEO 1/2

To A-VIDEO 1/2

To A-VIDEO 1/2

To A-VIDEO 1/2

To A-VIDEO 1/2

To A-VIDEO 1/2

To A-VIDEO 1/2

To A-VIDEO 1/2

To A-VIDEO 1/2

To A-VIDEO 1/2

To A-VIDEO 1/2

To A-VIDEO 1/2

To A-VIDEO 1/2

To A-VIDEO 1/2

To A-VIDEO 1/2

To A-VIDEO 1/2

To A-VIDEO 1/2

To A-VIDEO 1/2

To A-VIDEO 1/2

To A-VIDEO 1/2

To A-VIDEO 1/2

To A-VIDEO 1/2

To A-VIDEO 1/2

To A-VIDEO 1/2

To A-VIDEO 1/2

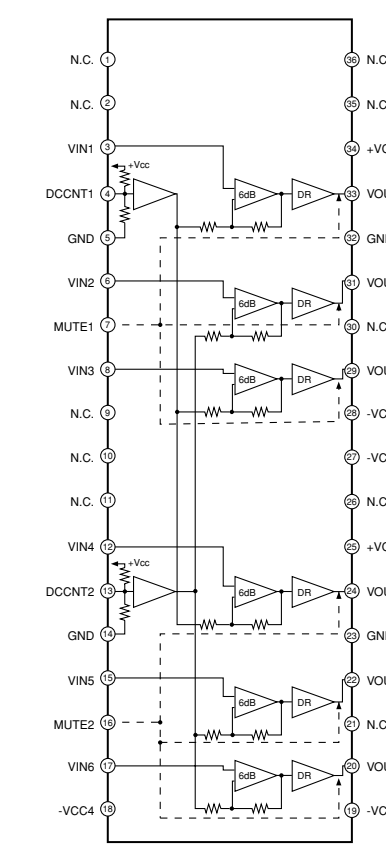
To A-VIDEO 1/2

To A-VIDEO 1/2

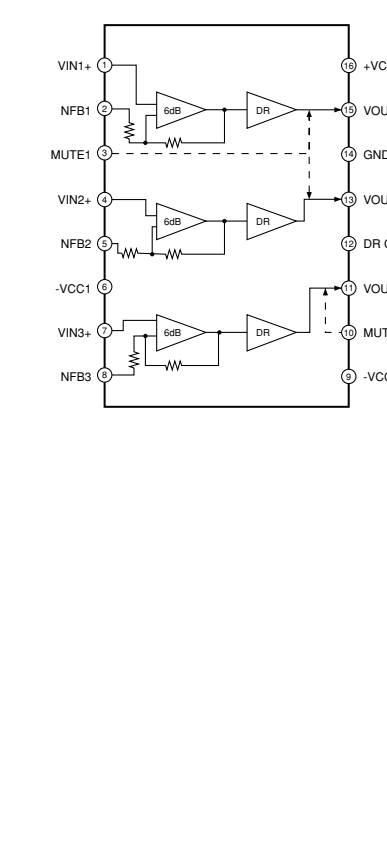
To A-VIDEO 1/2

To A-VIDEO 1/2

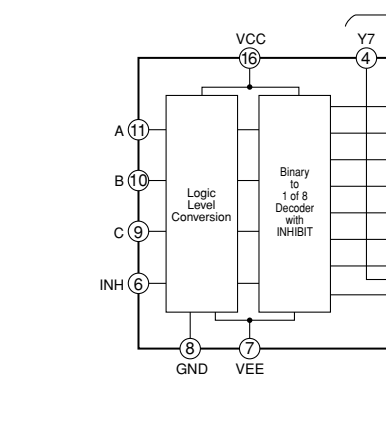
IC218: LA73050-TLM-E Analog dual operational amplifier



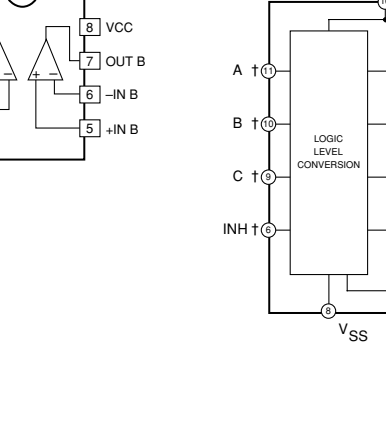
IC219, 226: LA7106M-TLM-E Analog dual operational amplifier



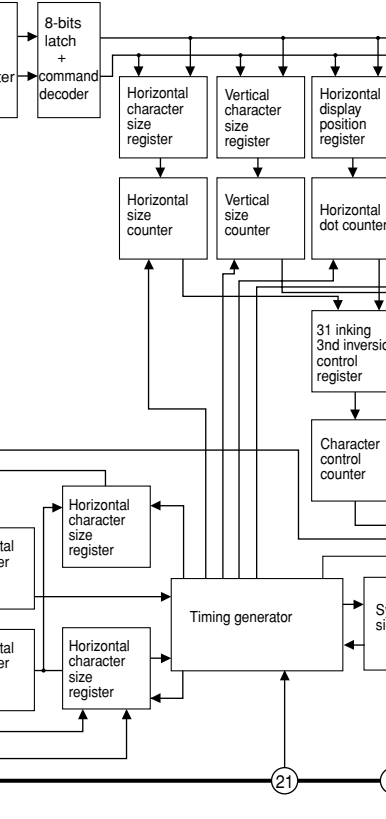
IC211-214: MM74HC4051SJX 8-channel analog multiplexer



IC215, 216: CD4051BNSR Single 8-channel multiplexer



IC224: LC74782JM-8A16-TLM The on-serial display controller LSI

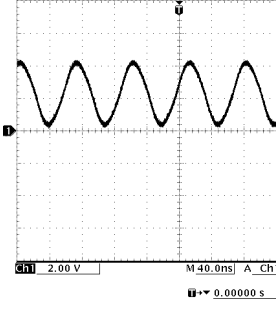


Pin list for IC224: LC74782JM-8A16-TLM with pins 1-24 and their functions.

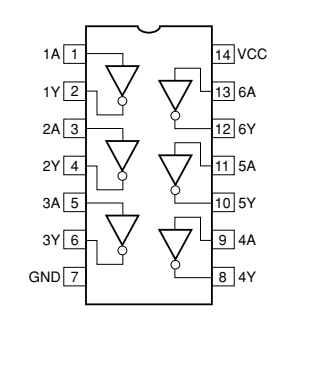
* All voltages are measured with a 10MΩ/V DC electronic voltmeter.
* Components having special characteristics are marked with a triangle and must be replaced with parts having specifications equal to those originally installed.
* Schematic diagram is subject to change without notice.

●電圧は、内部抵抗10MΩの電圧計で測定したものです。
●△印のある部品は、安全性確保部品を示しています。部品の交換が必要な場合、パーツリストに記載されている部品を使用してください。
●本回路図は標準回路図です。改良のため予告なく変更することがございます。

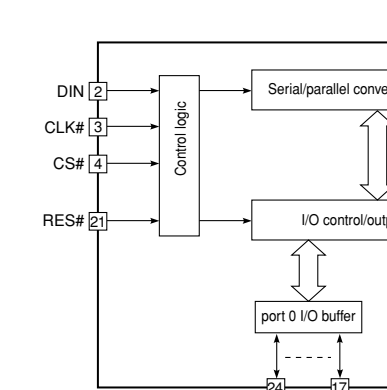
POINT (A-2) Pin 3 of IC224



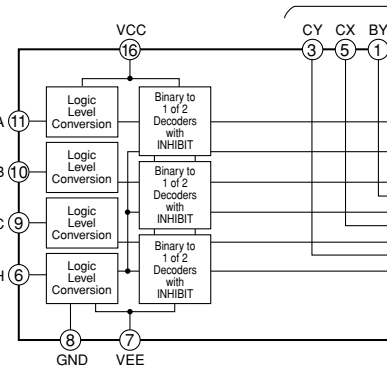
IC223: TC74VHC04FT Hex inverters



IC222: LC709004A-TLM-E I/O-expander for microcontroller

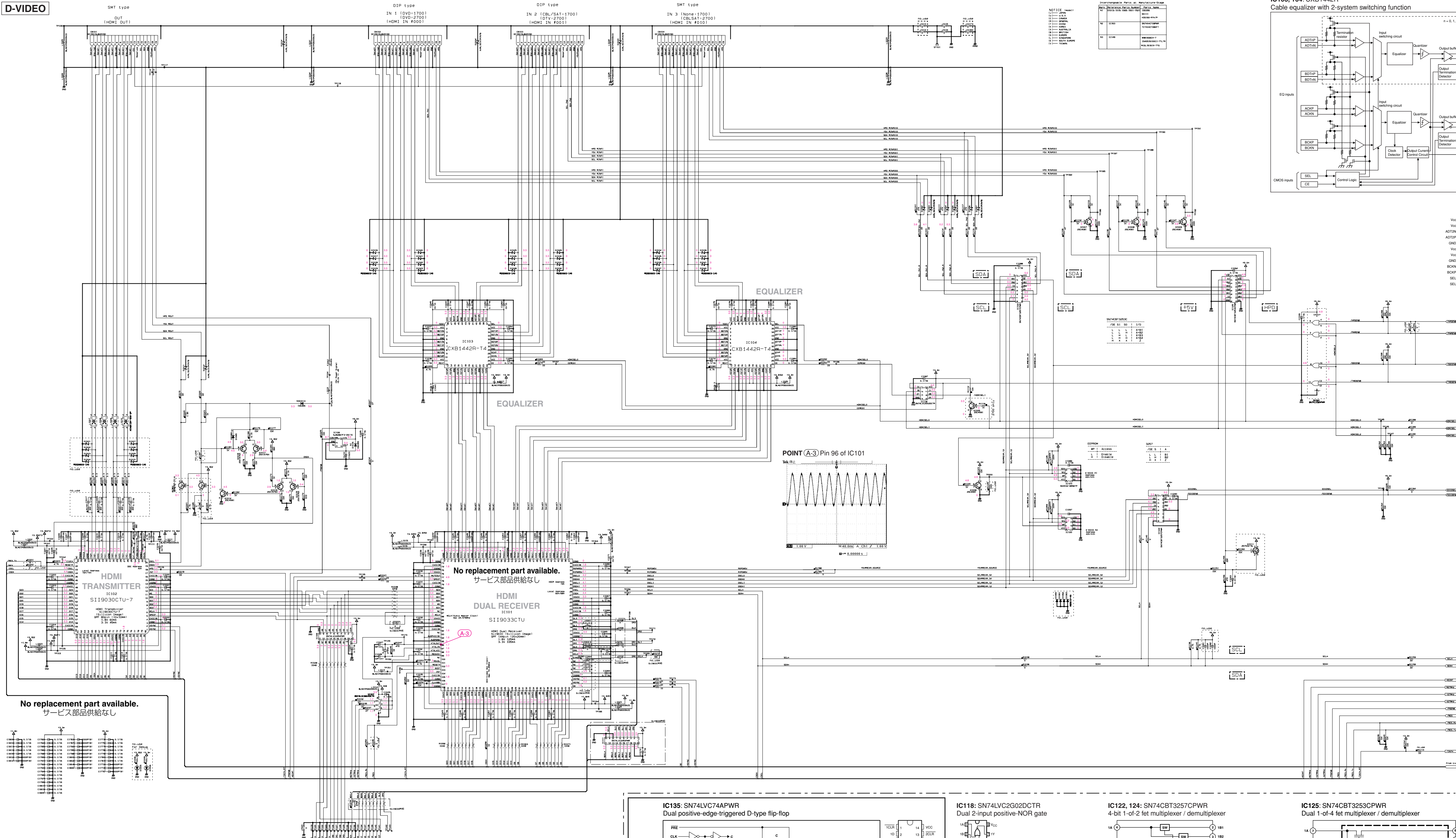


IC217, 221: MM74HC4053SJX Triple 2-channel analog multiplexer

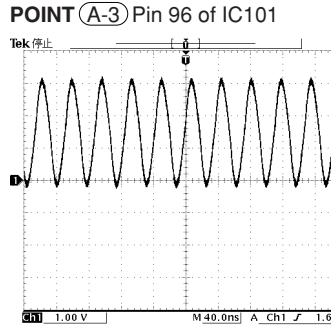
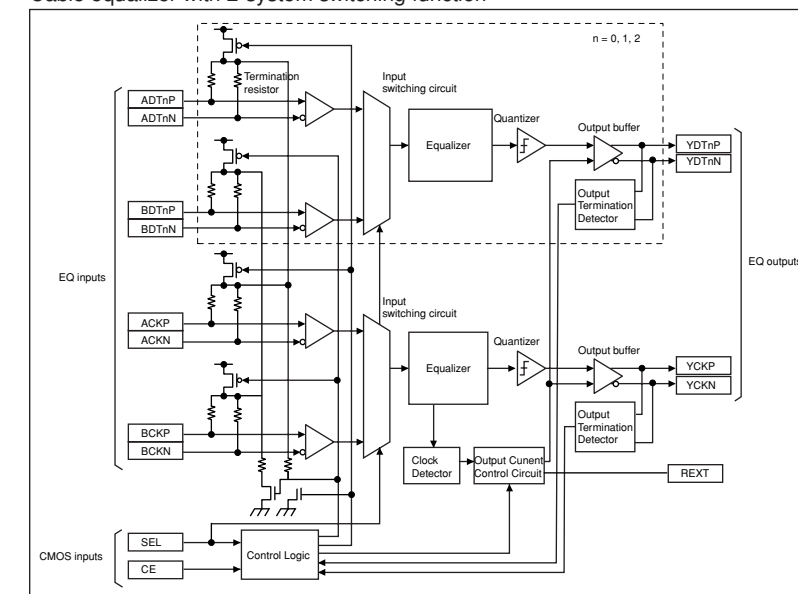


D-VIDEO 1/2

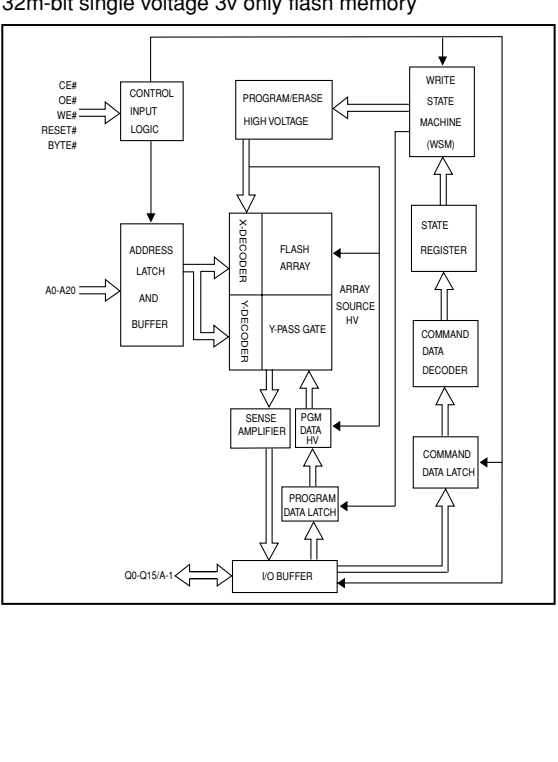
D-VIDEO



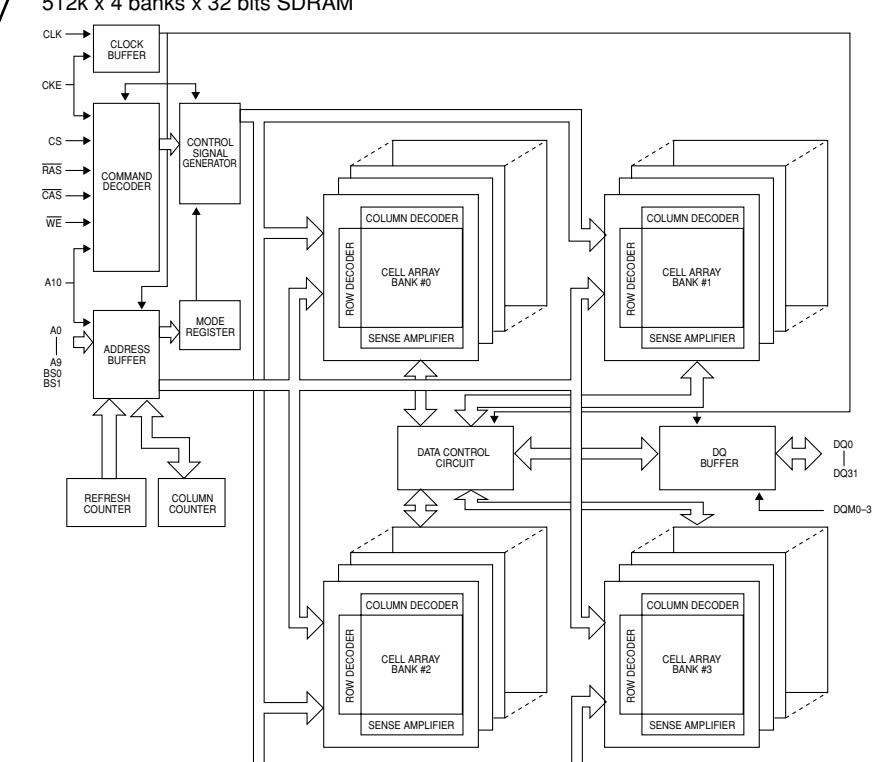
IC103, 104: CXB1442R



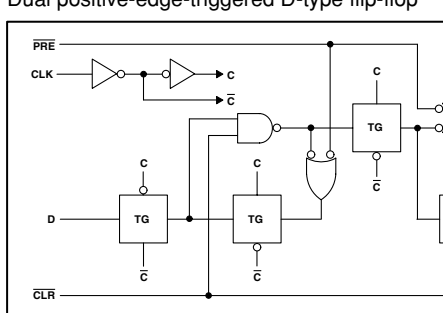
IC147: MX29LV320CBTC-90G



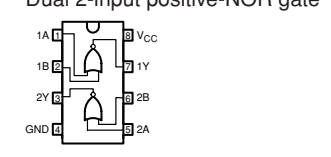
IC139: W9864G2EH-7



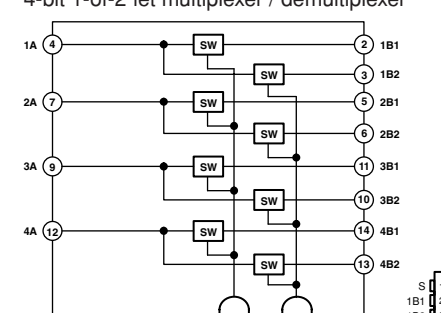
IC135: SN74VLC74APWR



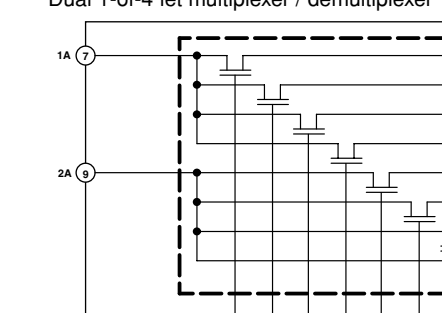
IC118: SN74VLC2G02DCTR



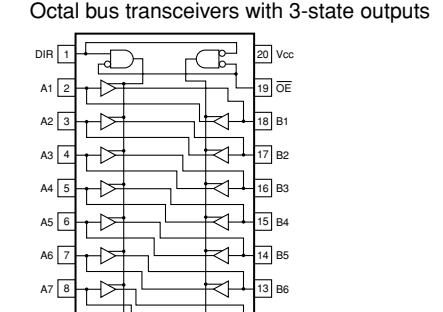
IC122, 124: SN74CBT3253CPWR



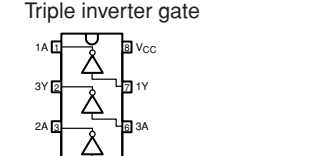
IC125: SN74CBT3253CPWR



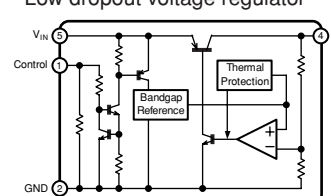
IC106, 111: SN74VLC245APWR



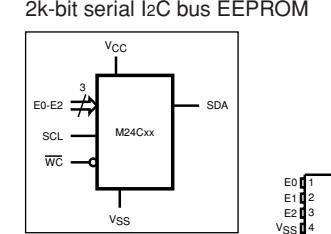
IC107: SN74VLC3G04DCTR



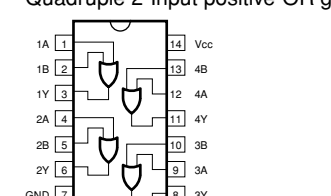
IC108: NJM2867F3-05 (TE-1)



IC120, 123: M24C02-WM6TNP



IC121: SN74V32APWR



* All voltages are measured with a 10MΩV DC electronic voltmeter.
 * Components having special characteristics are marked with a star and must be replaced with parts having specifications equal to those originally installed.
 * Schematic diagram is subject to change without notice.

●電圧は、内部抵抗10MΩの電圧計で測定したものです。
 ●1印のある部品は、安全性確保部品を示しています。部品の交換が必要な場合、パーツリストに記載されている部品を使用してください。
 ●本回路図は標準回路図です。改良のため予告なく変更することがございます。

D-VIDEO 2/2

Page 119 [F] to A-VIDEO_CB201

Page 119 [E] to A-VIDEO_CB201

Page 119 [D] to A-VIDEO_CB201

Page 119 [C] to A-VIDEO_CB201

Page 119 [B] to A-VIDEO_CB201

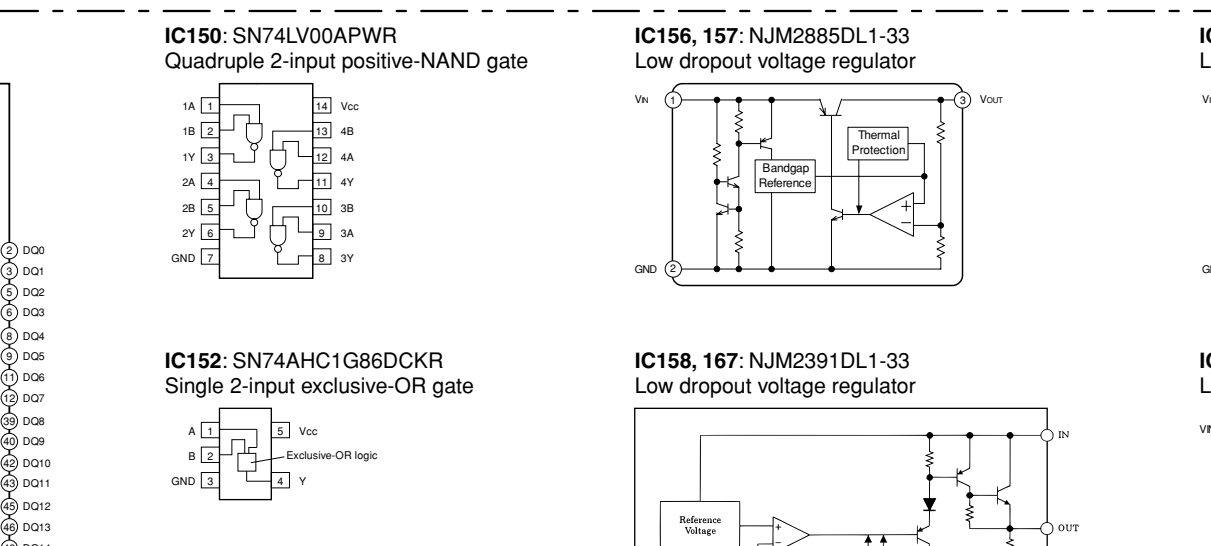
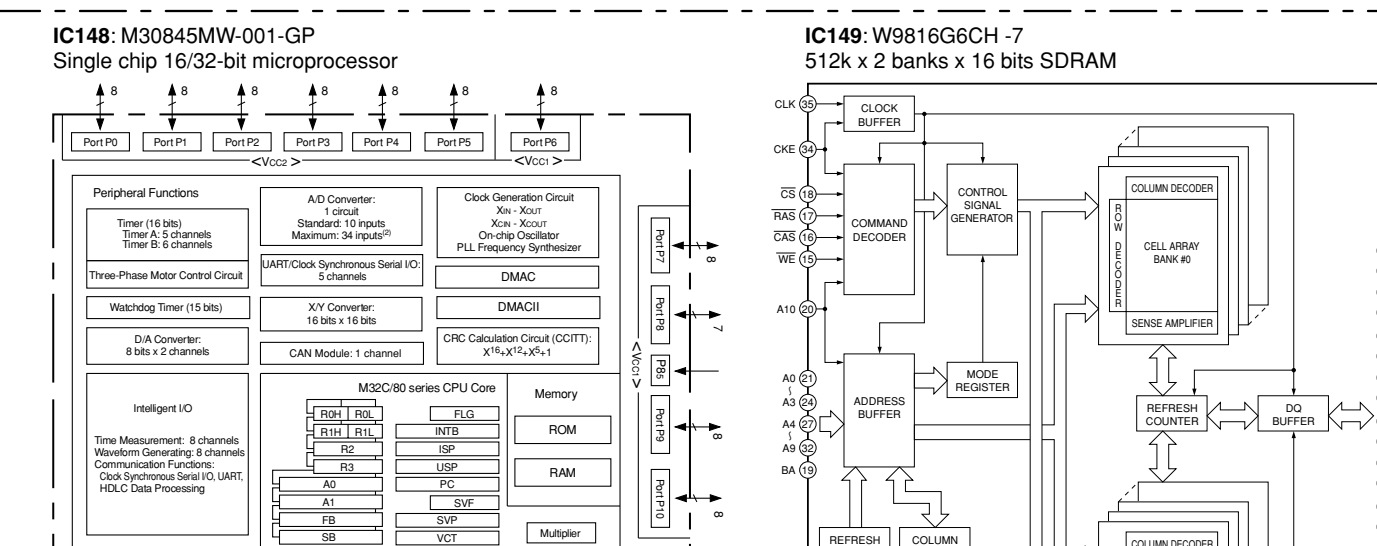
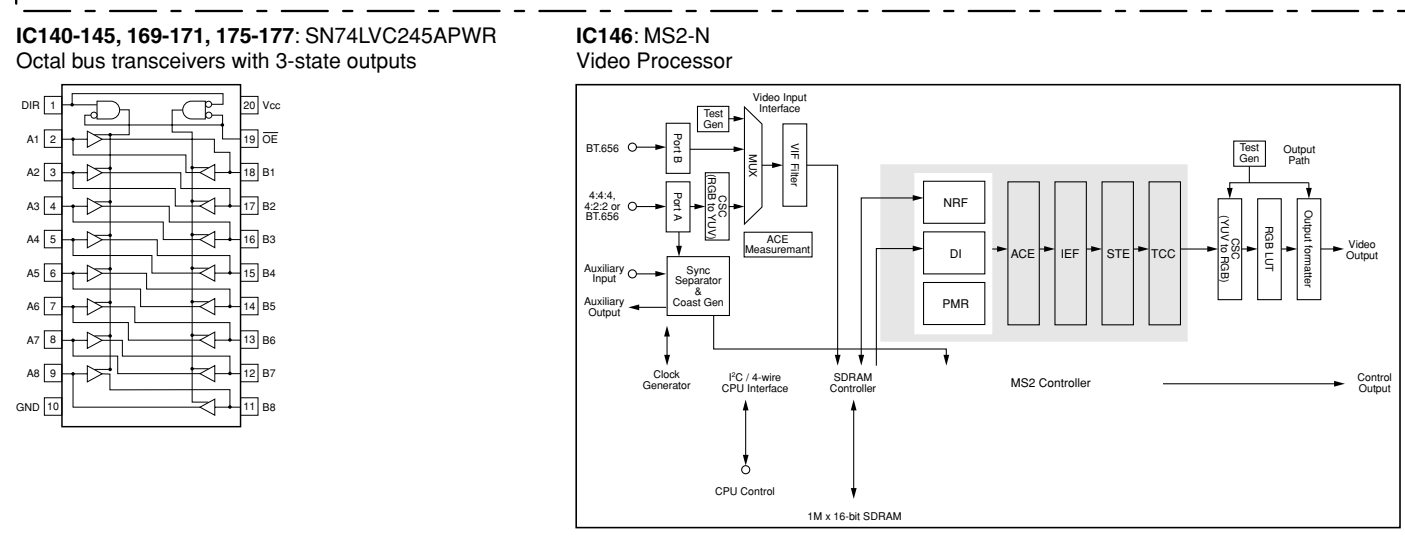
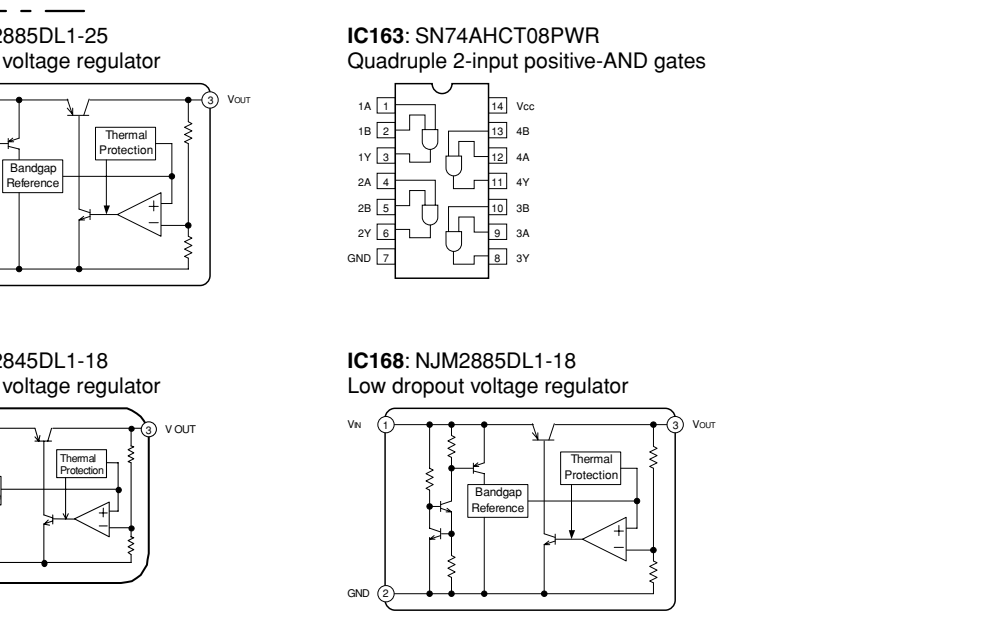
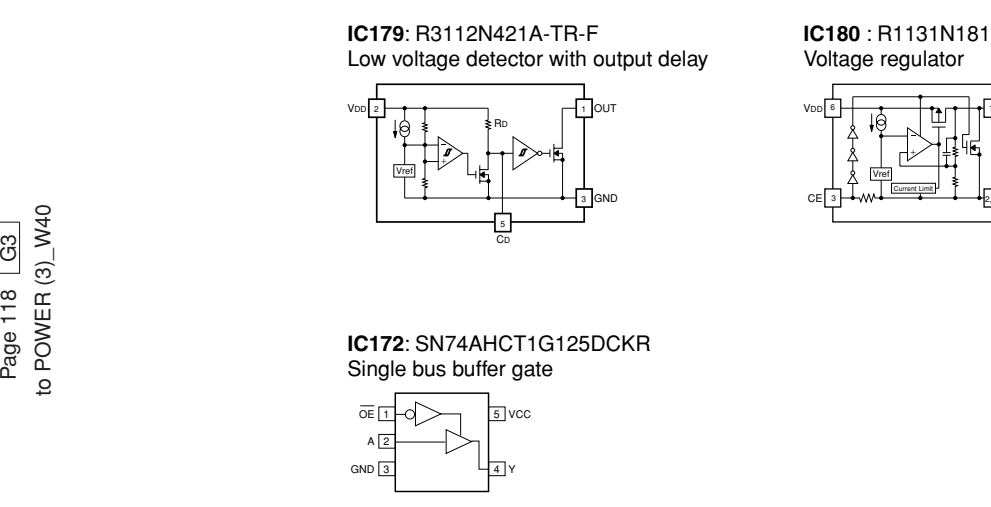
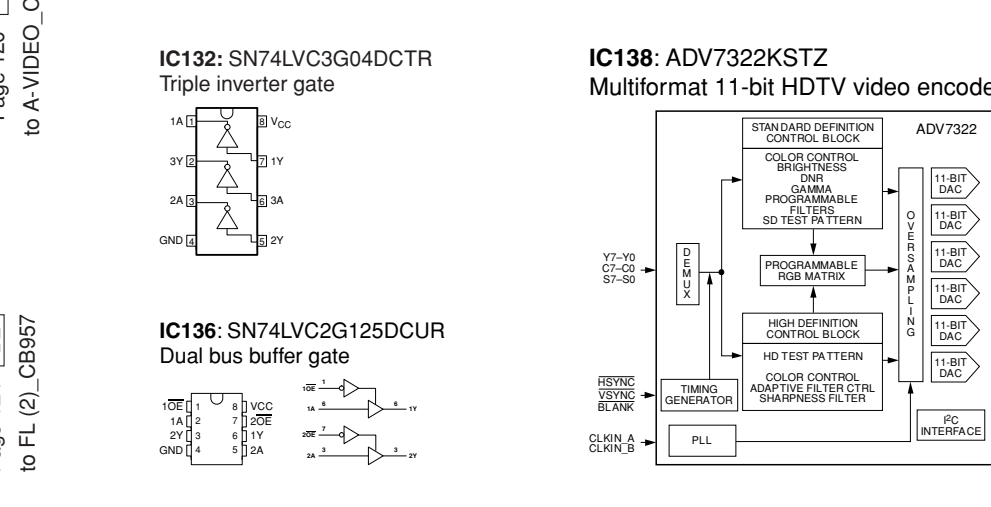
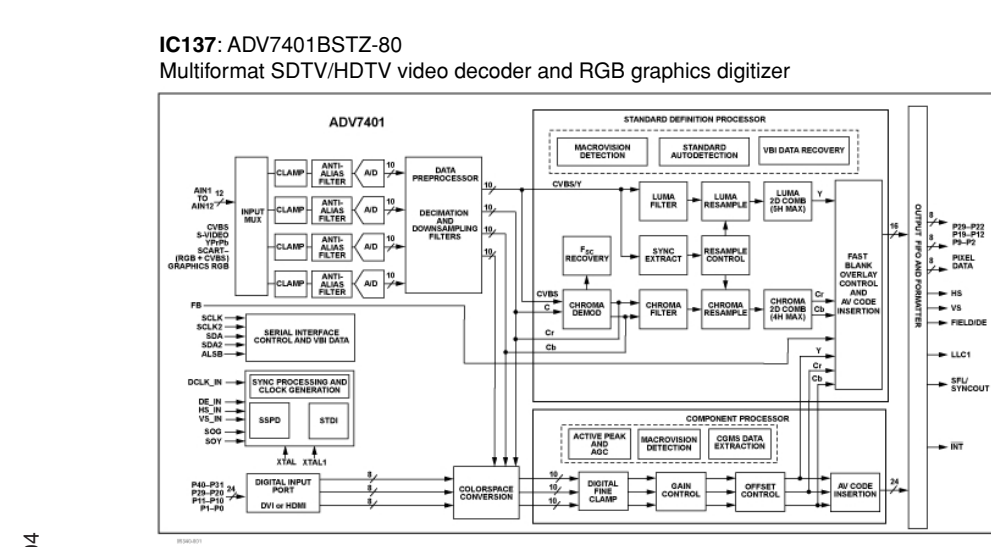
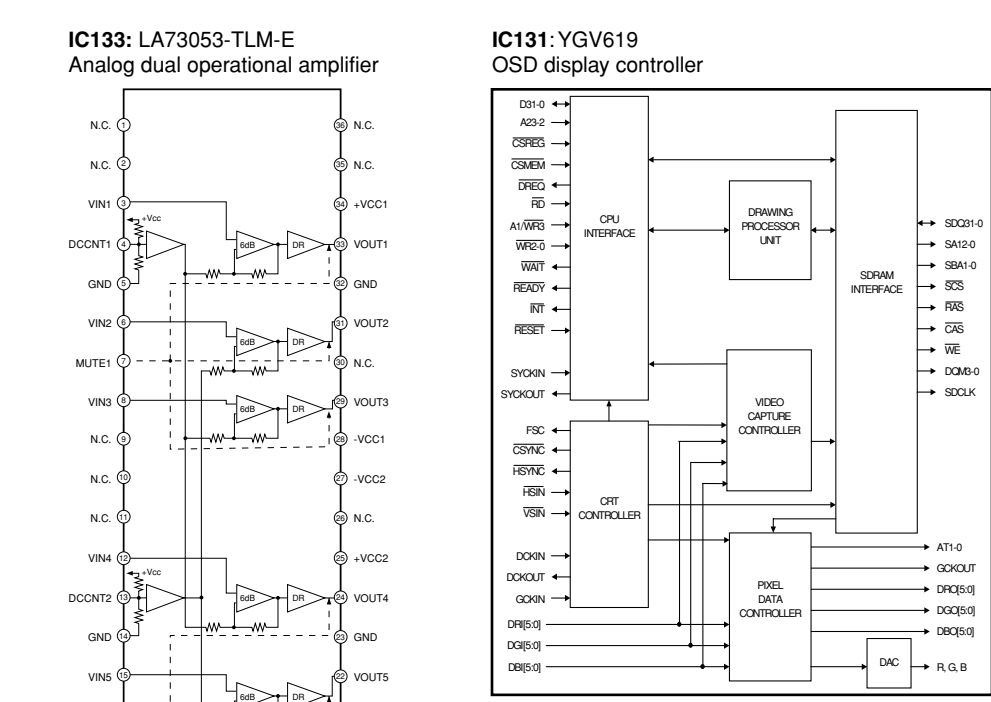
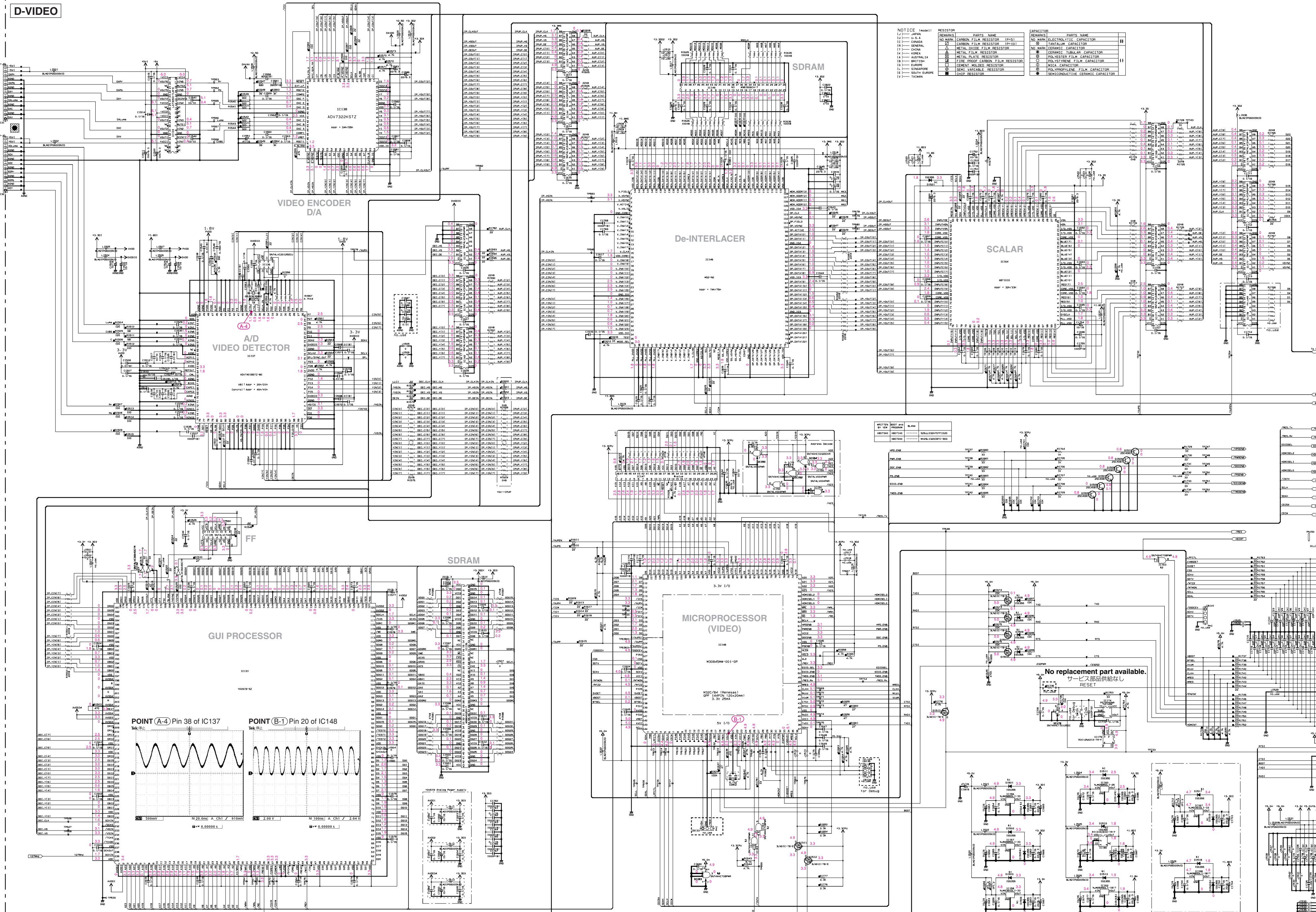
Page 119 [A] to A-VIDEO_CB201

Page 119 [Z] to A-VIDEO_CB201

Page 119 [Y] to A-VIDEO_CB201

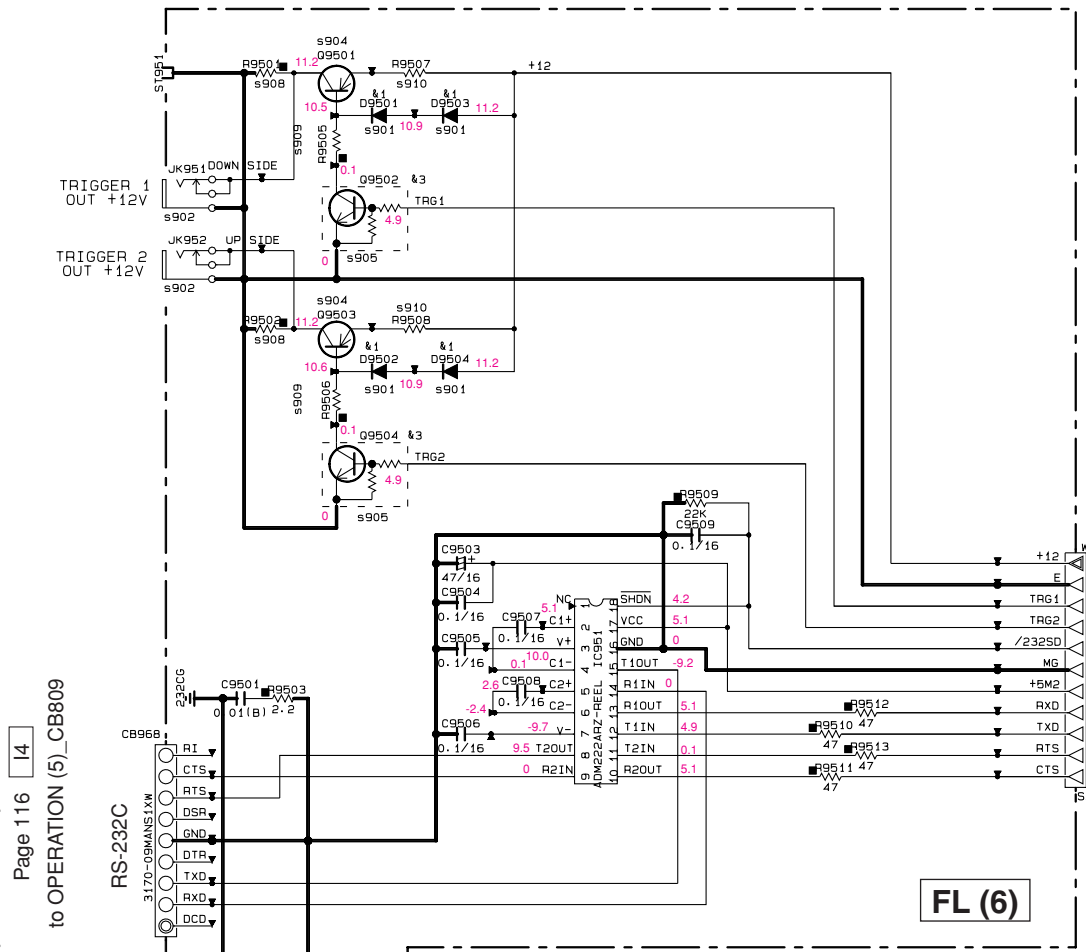
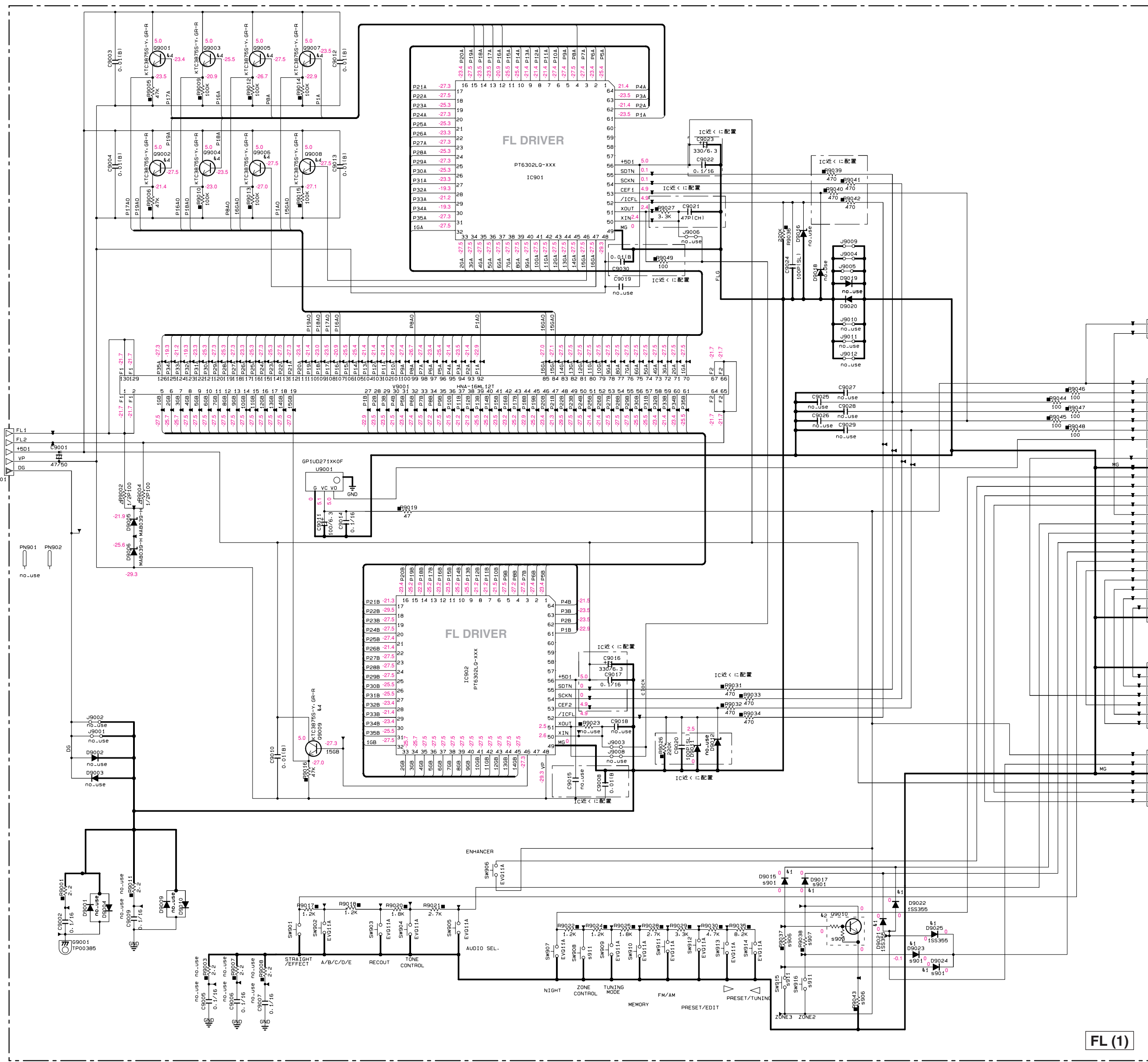
Page 119 [X] to A-VIDEO_CB201

Page 119 [W] to A-VIDEO_CB201



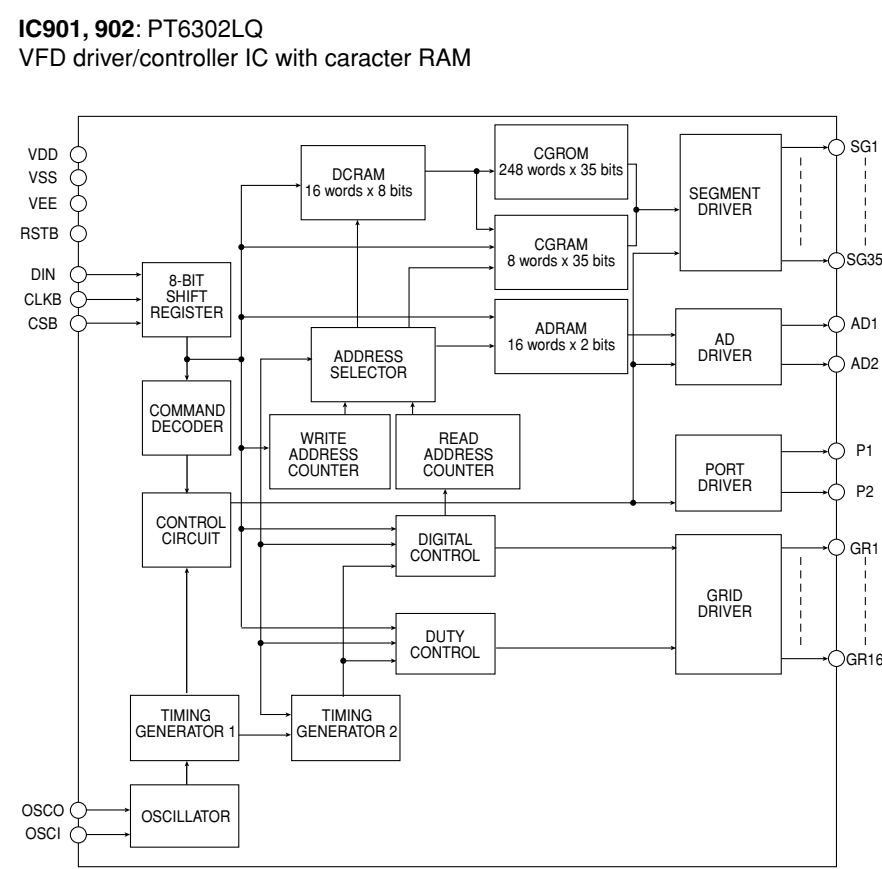
* All voltages are measured with a 10M Ω /V DC electronic voltmeter.
 * Components having special characteristics are marked Δ and must be replaced with parts having specifications equal to those originally installed.
 * Schematic diagram is subject to change without notice.
 ● 電圧は、内部抵抗10M Ω の電圧計で測定したものです。
 ● Δ 印のある部品は、安全性確保部品を示しています。部品の交換が必要な場合、パーツリストに記載されている部品を使用してください。
 ● 本回路図は標準回路図です。改良のため予告なく変更することがございます。

NOTES:
 1. Pin 1 to Pin 16 are provided on the 144-pin package only.
 2. Included in the 144-pin package only.



Destination Part List

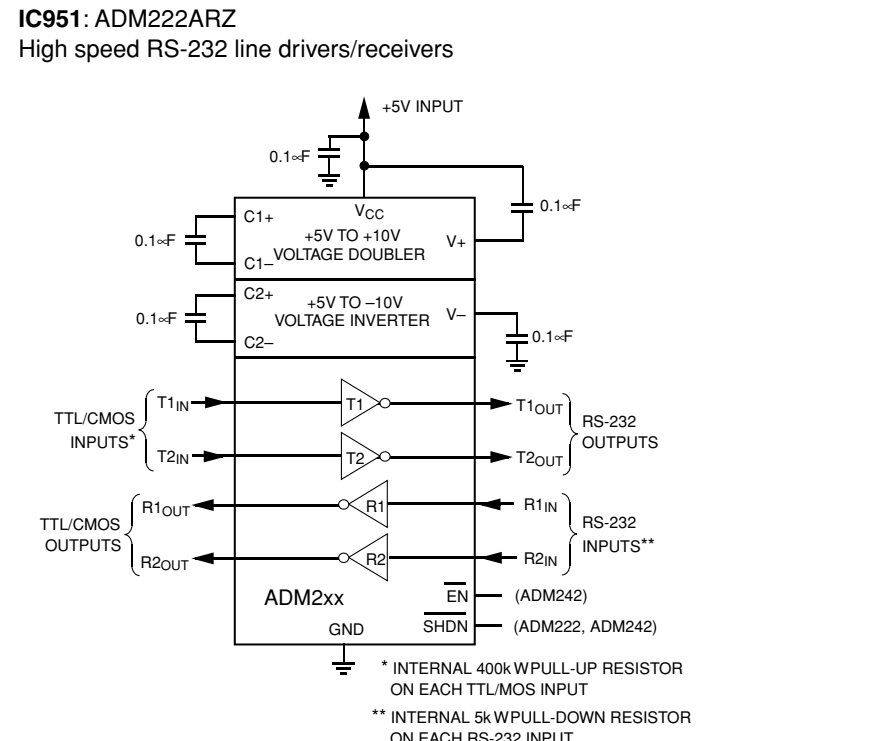
xxx	LOC	J	U.C.R.T.K.A.B.O.L.E.T
s901	09015	X	V33290
s901	09016	X	V33290
s901	09017	X	V33290
s901	09018	X	V33290
s901	09019	X	V33290
s901	09020	X	V33290
s901	09021	X	V33290
s901	09022	X	V33290
s901	09023	X	V33290
s901	09024	X	V33290
s901	09025	X	V33290
s901	09026	X	V33290
s901	09027	X	V33290
s901	09028	X	V33290
s901	09029	X	V33290
s901	09030	X	V33290
s901	09031	X	V33290
s901	09032	X	V33290
s901	09033	X	V33290
s901	09034	X	V33290
s901	09035	X	V33290
s901	09036	X	V33290
s901	09037	X	V33290
s901	09038	X	V33290
s901	09039	X	V33290
s901	09040	X	V33290
s901	09041	X	V33290
s901	09042	X	V33290
s901	09043	X	V33290
s901	09044	X	V33290
s901	09045	X	V33290
s901	09046	X	V33290
s901	09047	X	V33290
s901	09048	X	V33290
s901	09049	X	V33290
s901	09050	X	V33290
s901	09051	X	V33290
s901	09052	X	V33290
s901	09053	X	V33290
s901	09054	X	V33290
s901	09055	X	V33290
s901	09056	X	V33290
s901	09057	X	V33290
s901	09058	X	V33290
s901	09059	X	V33290
s901	09060	X	V33290
s901	09061	X	V33290
s901	09062	X	V33290
s901	09063	X	V33290
s901	09064	X	V33290
s901	09065	X	V33290
s901	09066	X	V33290
s901	09067	X	V33290
s901	09068	X	V33290
s901	09069	X	V33290
s901	09070	X	V33290
s901	09071	X	V33290
s901	09072	X	V33290
s901	09073	X	V33290
s901	09074	X	V33290
s901	09075	X	V33290
s901	09076	X	V33290
s901	09077	X	V33290
s901	09078	X	V33290
s901	09079	X	V33290
s901	09080	X	V33290
s901	09081	X	V33290
s901	09082	X	V33290
s901	09083	X	V33290
s901	09084	X	V33290
s901	09085	X	V33290
s901	09086	X	V33290
s901	09087	X	V33290
s901	09088	X	V33290
s901	09089	X	V33290
s901	09090	X	V33290
s901	09091	X	V33290
s901	09092	X	V33290
s901	09093	X	V33290
s901	09094	X	V33290
s901	09095	X	V33290
s901	09096	X	V33290
s901	09097	X	V33290
s901	09098	X	V33290
s901	09099	X	V33290
s901	09100	X	V33290



Interchangeable Parts at Manufacture Stage

Mark	Reference Parts Number	Parts Name
k1	09015-0017, 0021-0025, 09011-0004	153395 M411
k2	09010	001160-Rtk/p 001162-Rtk/p
k3	09002-9004	D1C144K 09045-Rtk/p
k4	09001-9009	W1C30755-V-GR-Rtk/p P5C241K1G/R/S1
k5		

REMARKS	PARTS NAME	REMARKS	PARTS NAME
NO MARK	CARBON FILM RESISTOR (P=5)	NO MARK	ELECTROLYTIC CAPACITOR
NO MARK	CARBON FILM RESISTOR (P=10)	NO MARK	TANTALUM CAPACITOR
NO MARK	METAL OXIDE FILM RESISTOR	NO MARK	CERAMIC CAPACITOR
NO MARK	METAL FILM RESISTOR	NO MARK	CERAMIC TUBULAR CAPACITOR
NO MARK	METAL PLATE RESISTOR	NO MARK	POLYESTER FILM CAPACITOR
NO MARK	FINE PROOF CARBON FILM RESISTOR	NO MARK	POLYSTYRENE FILM CAPACITOR
NO MARK	CEMENT MOLDED RESISTOR	NO MARK	MICA CAPACITOR
NO MARK	SEMI VARIABLE RESISTOR	NO MARK	POLYPROPYLENE FILM CAPACITOR
NO MARK	CHIP RESISTOR	NO MARK	SEMICONDUCTIVE CERAMIC CAPACITOR
		NO MARK	POLYPHENYLENE SULFIDE FILM CAPACITOR



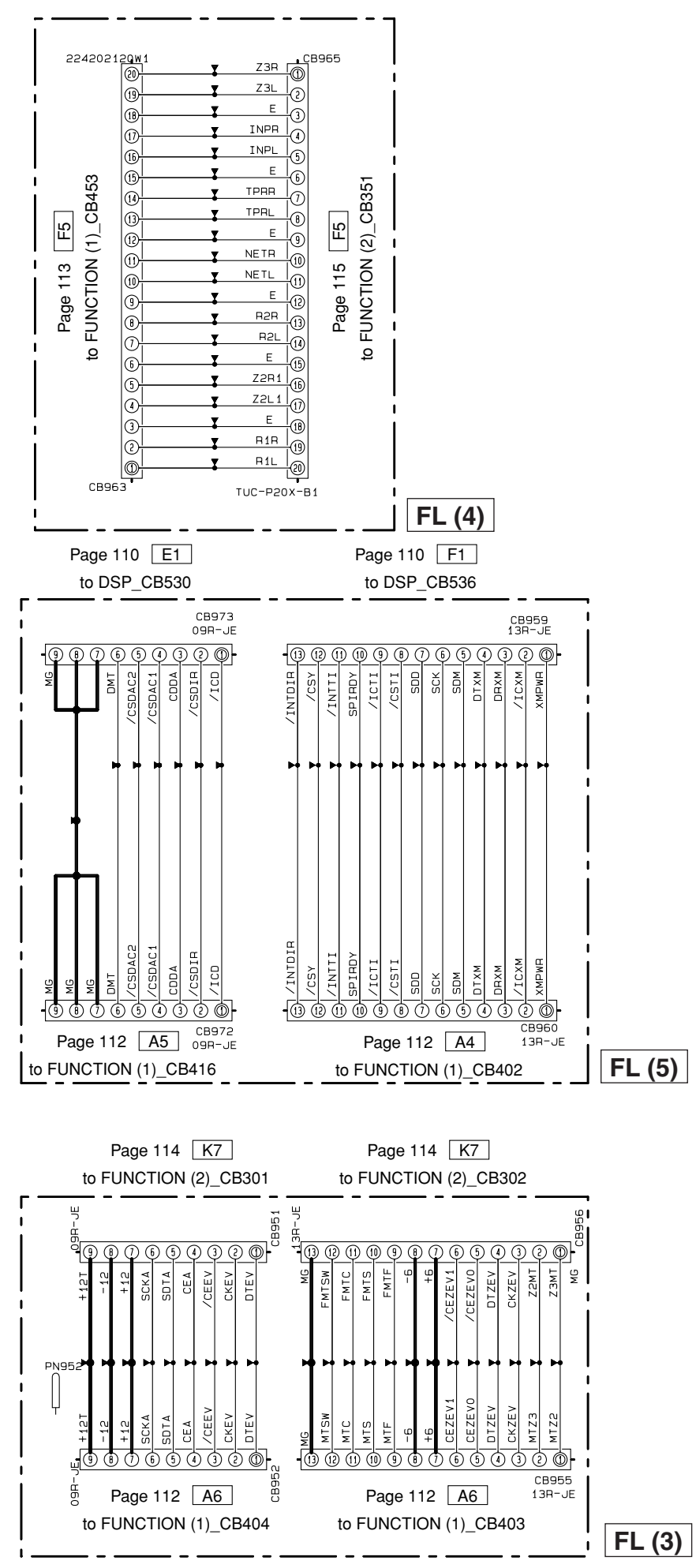
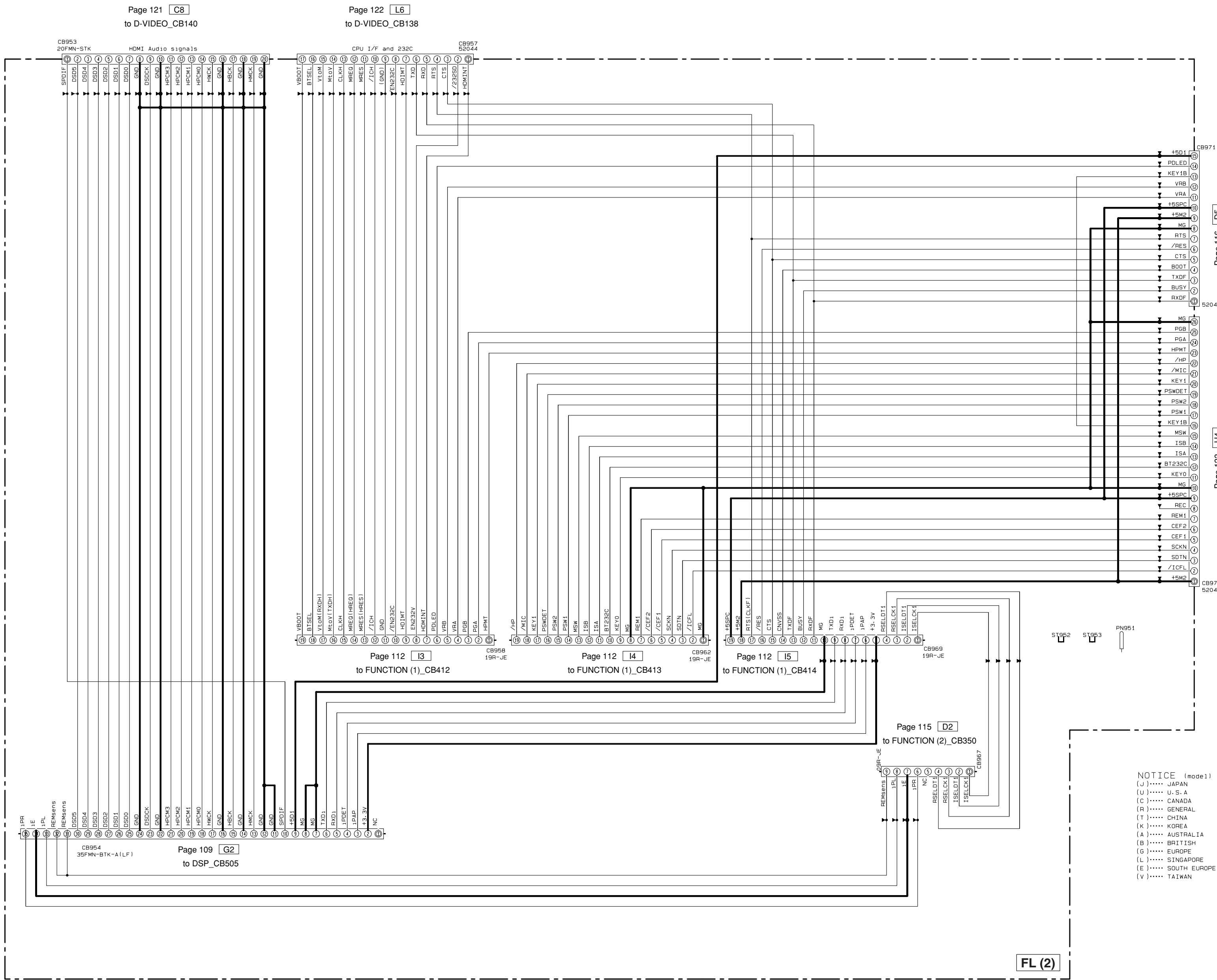
RX-V2700 (U, C, R, T, K, A, B, G, E, L models)
Key input (A-D) pull-up resistance 10k-ohms

Ohm	0	+1.2k	+1.2k	+1.8k	+2.7k	+3.3k	+4.7k	+8.2k	+18.0k	+47.0k
Key0 (124pin/AN156)	0-0.26	0.27-0.75	0.76-1.22	1.23-1.76	1.77-2.28	2.29-2.75	2.76-3.24	3.25-3.75	3.76-4.25	4.26-4.72
Key1 (123pin/AN157)	STRAIGHT/EFFECT	A/B/C/D/E	TUNING MODE	MEMORY	FM/AM	PURE DIRECT	PRESET/TUNING	PRESET/TUNING		

DSP-AX2700 (J model)
Key input (A-D) pull-up resistance 10k-ohms

Ohm	0	+1.2k	+1.2k	+1.8k	+2.7k	+3.3k	+4.7k	+8.2k	+18.0k	+47.0k
Key0 (124pin/AN156)	0-0.26	0.27-0.75	0.76-1.22	1.23-1.76	1.77-2.28	2.29-2.75	2.76-3.24	3.25-3.75	3.76-4.25	4.26-4.72
Key1 (123pin/AN157)	STRAIGHT/EFFECT	A/B/C/D/E	TUNING MODE	MEMORY	FM/AM	PURE DIRECT	PRESET/TUNING	PRESET/TUNING		

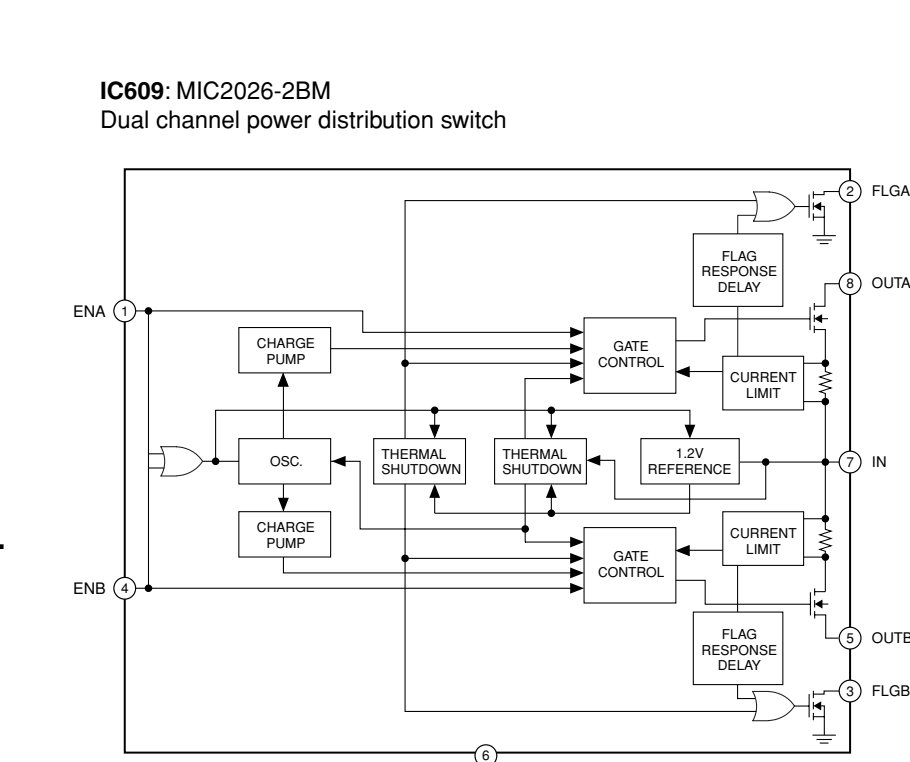
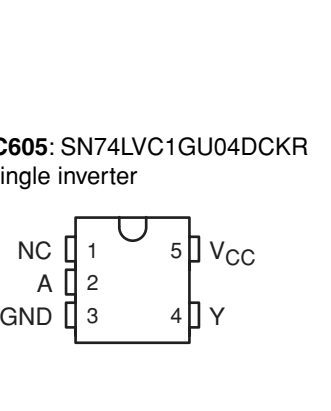
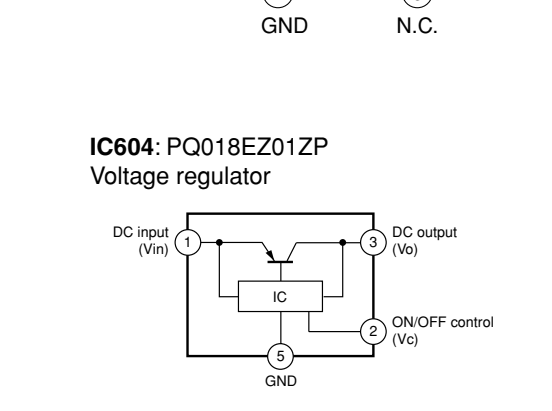
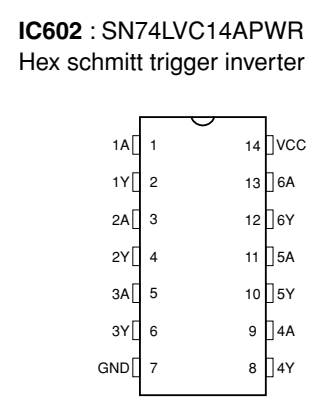
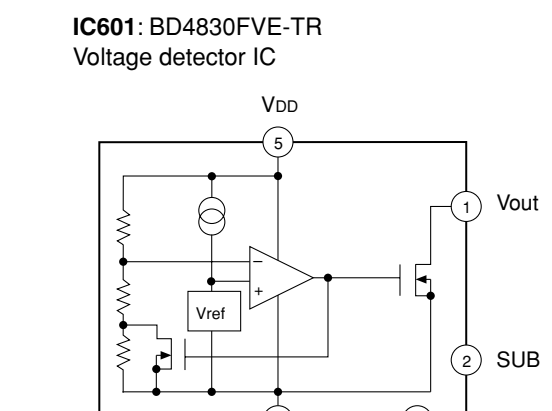
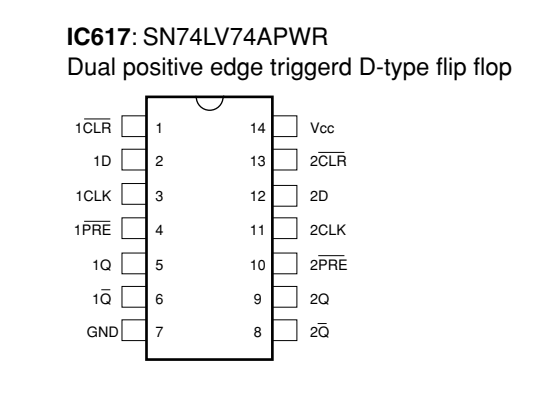
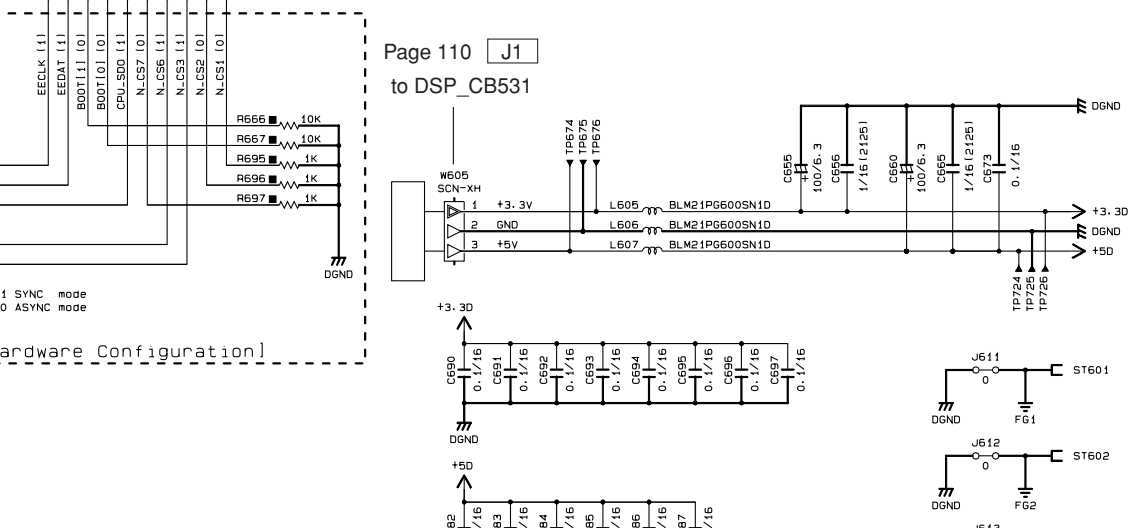
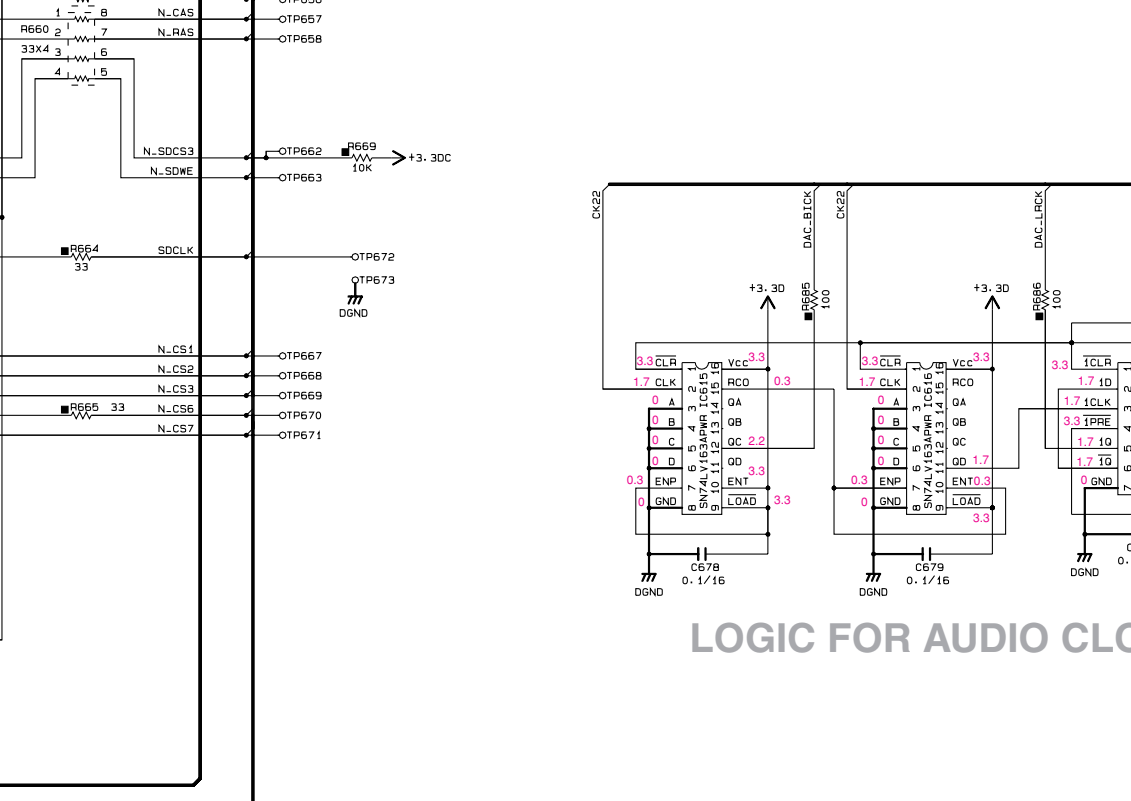
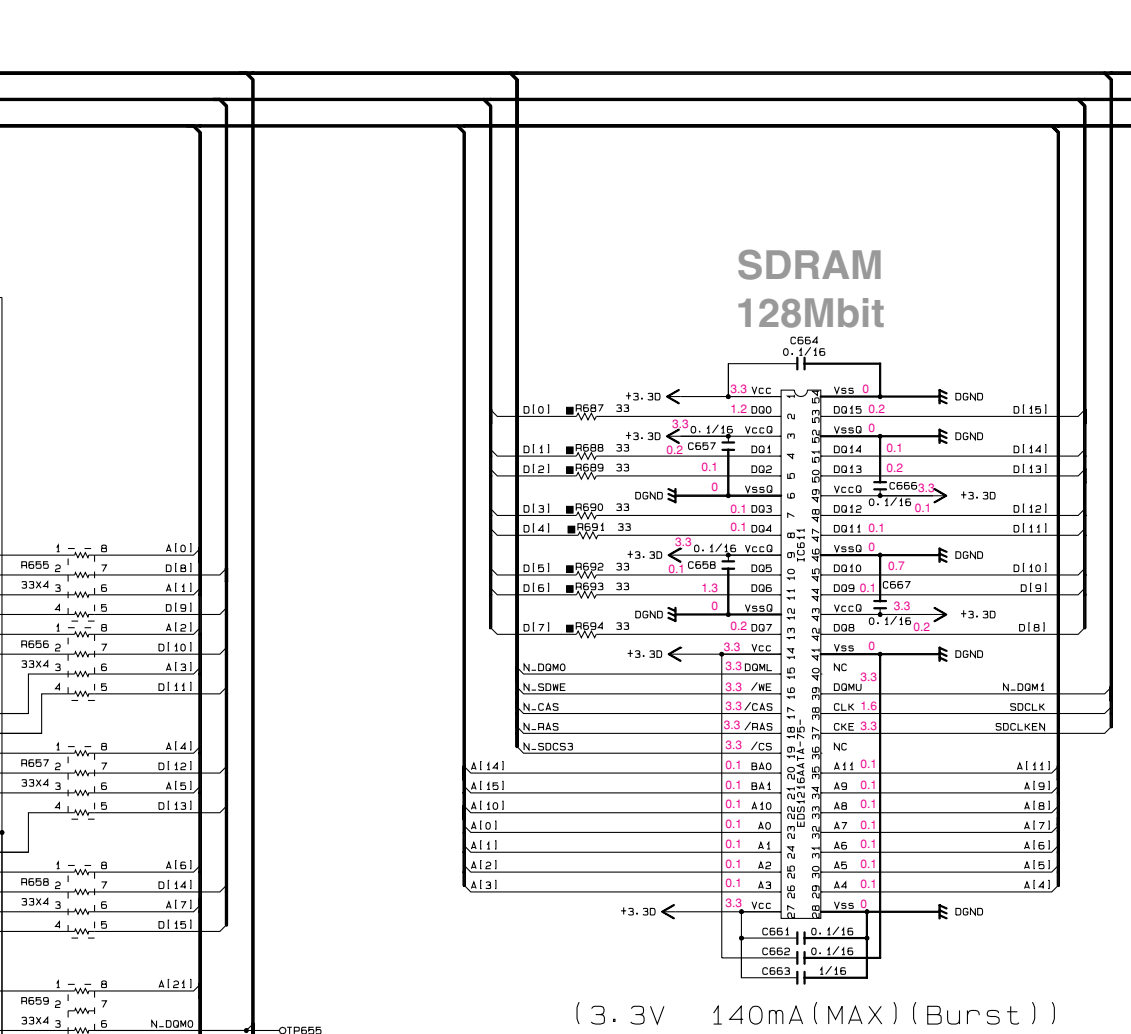
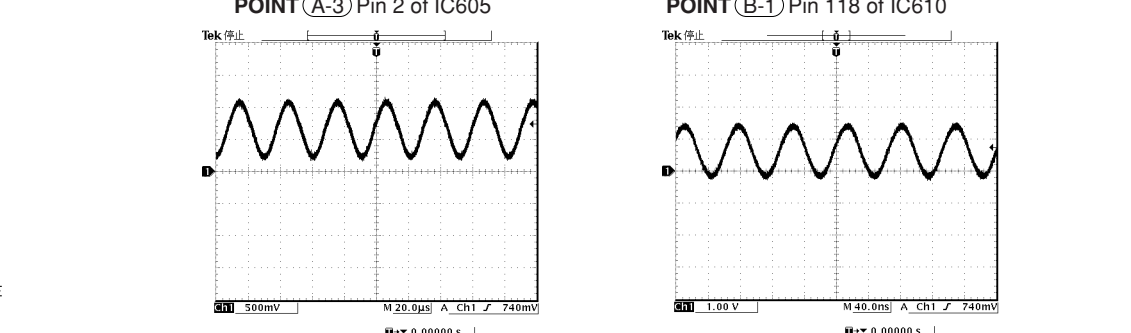
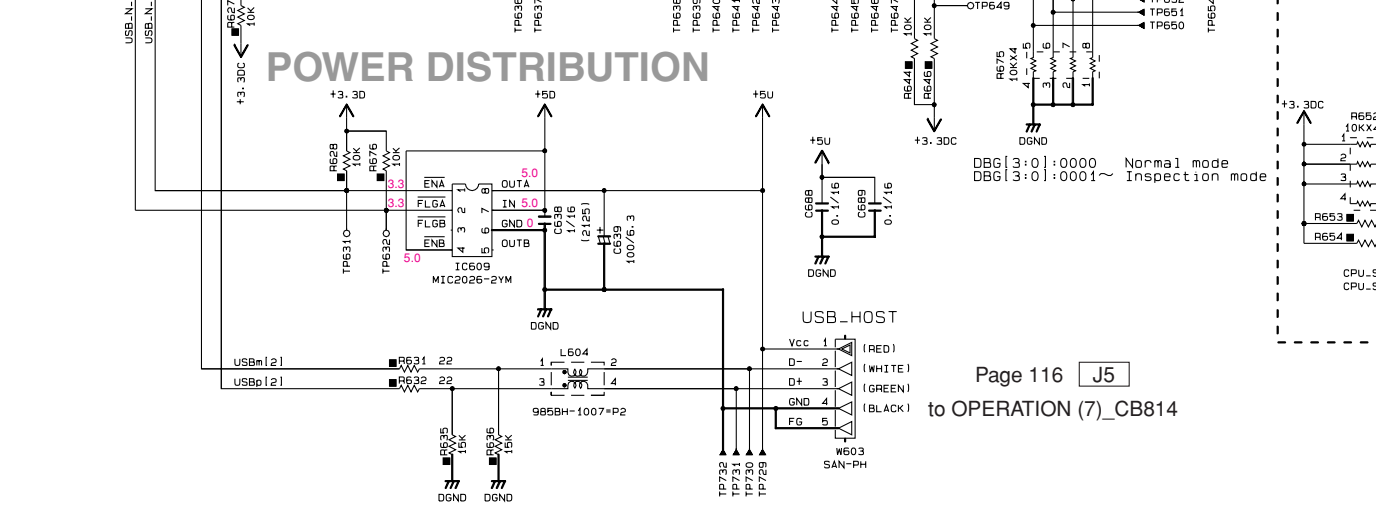
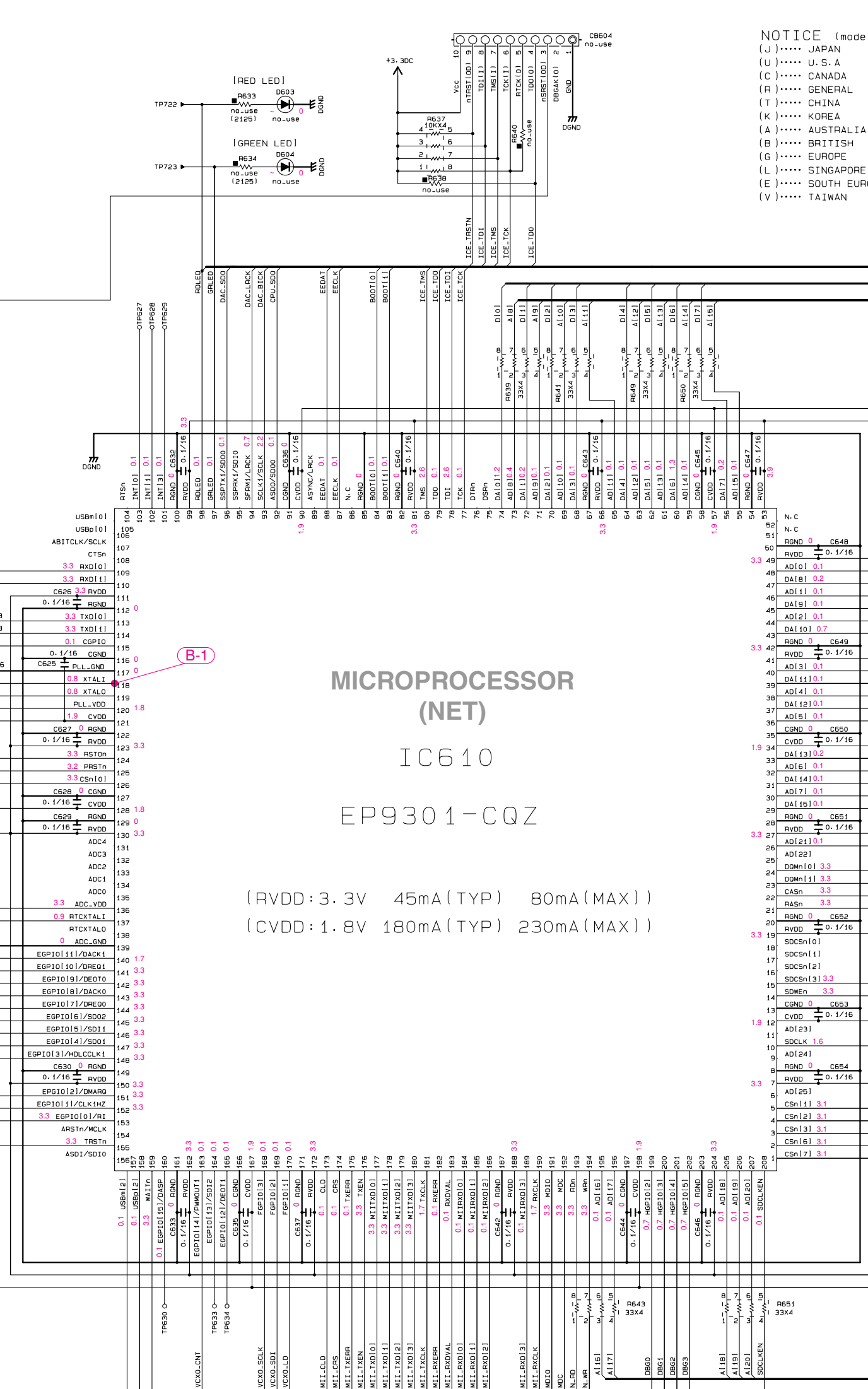
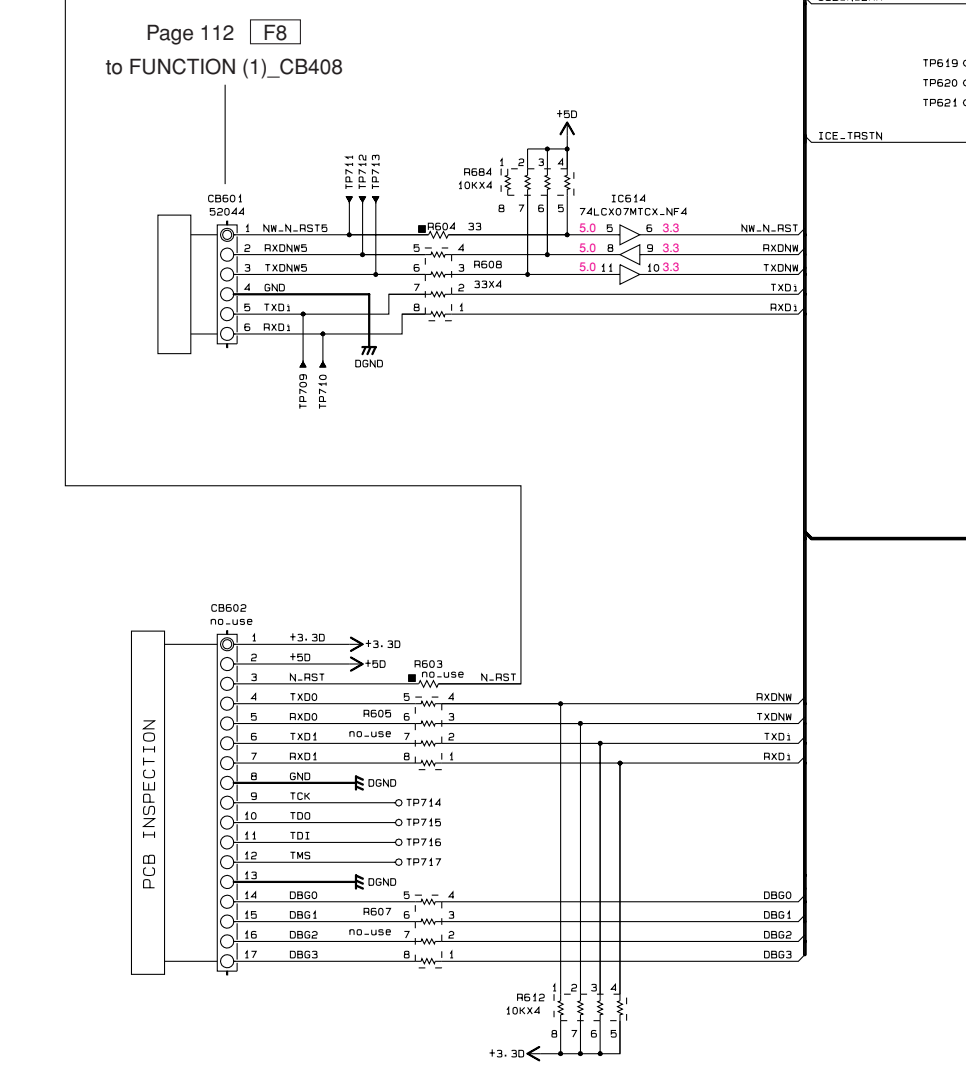
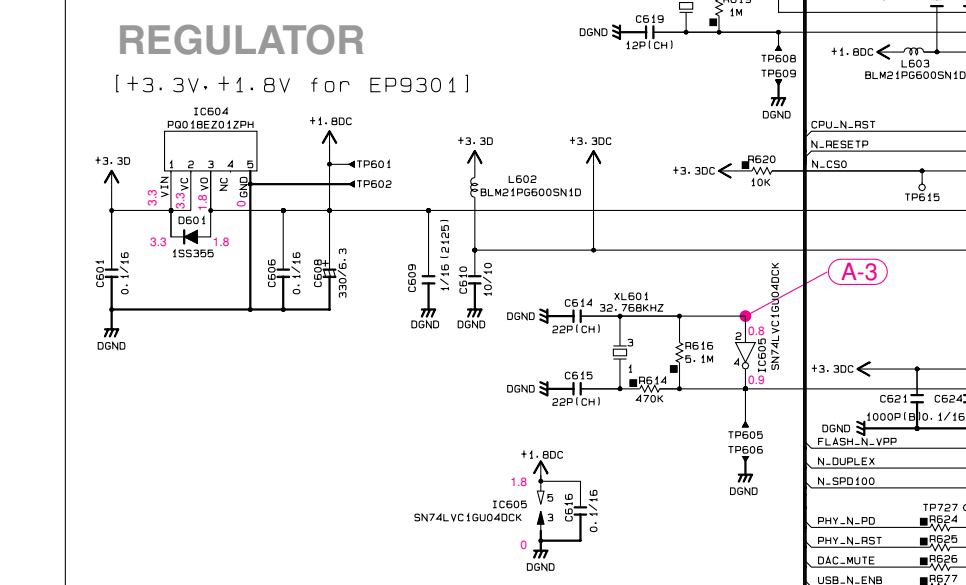
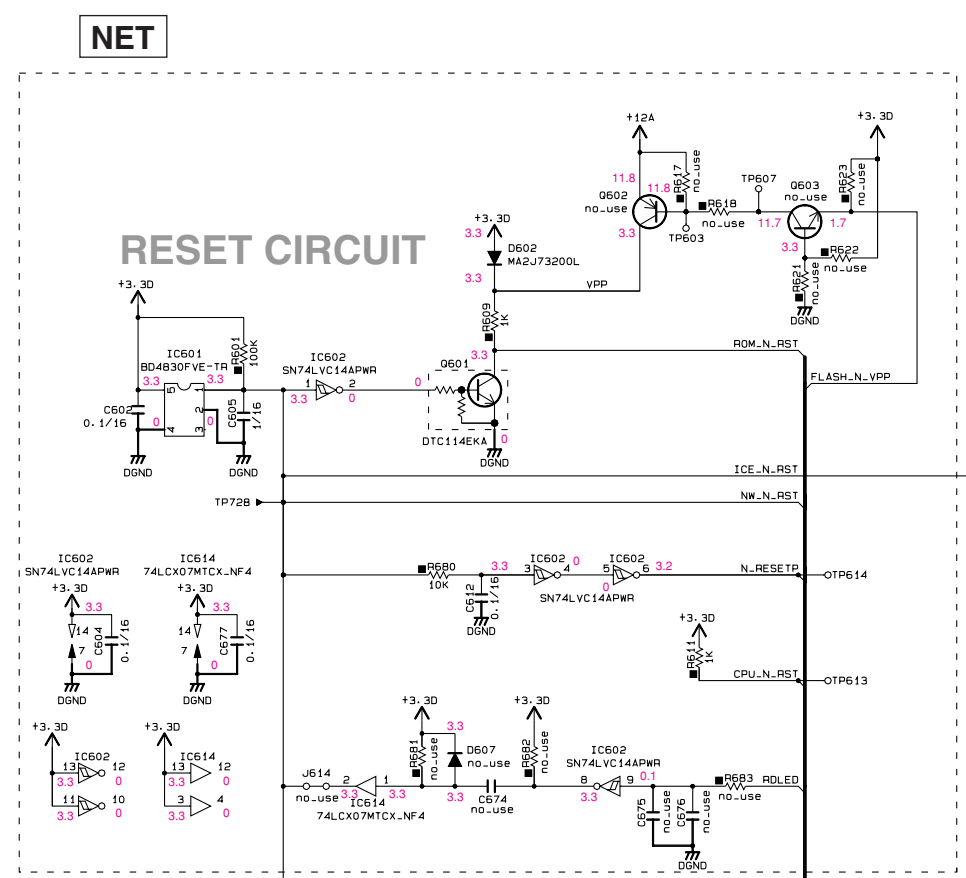
* All voltages are measured with a 10MΩ/V DC electronic voltmeter.
 * Components having special characteristics are marked ! and must be replaced with parts having specifications equal to those originally installed.
 * Schematic diagram is subject to change without notice.
 ● 電圧は、内部抵抗10MΩの電圧計で測定したものです。
 ● !印のある部品は、安全性能確保部品を示しています。部品の交換が必要な場合、パーツリストに記載されている部品を使用してください。
 ● 本回路図は標準回路図です。改良のため予告なく変更することがございます。



NOTICE (mode)
 (J)..... JAPAN
 (U)..... U.S.A.
 (C)..... CANADA
 (R)..... GENERAL
 (T)..... CHINA
 (K)..... KOREA
 (A)..... AUSTRALIA
 (B)..... BRITISH
 (G)..... EUROPE
 (L)..... SINGAPORE
 (E)..... SOUTH EUROPE
 (V)..... TAIWAN

★ All voltages are measured with a 10M Ω /V DC electronic voltmeter.
 ★ Components having special characteristics are marked Δ , and must be replaced with parts having specifications equal to those originally installed.
 ★ Schematic diagram is subject to change without notice.
 ● 電圧は、内部抵抗10M Ω の電圧計で測定したものです。
 ● Δ 印のある部品は、安全性確保部品を示しています。部品の交換が必要な場合、パーツリストに記載されている部品を使用してください。
 ● 本回路図は標準回路図です。改良のため予告なく変更することがございます。

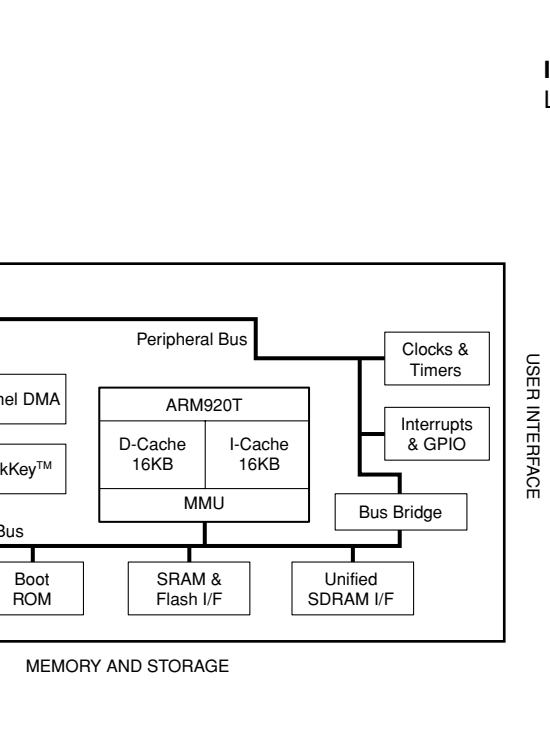
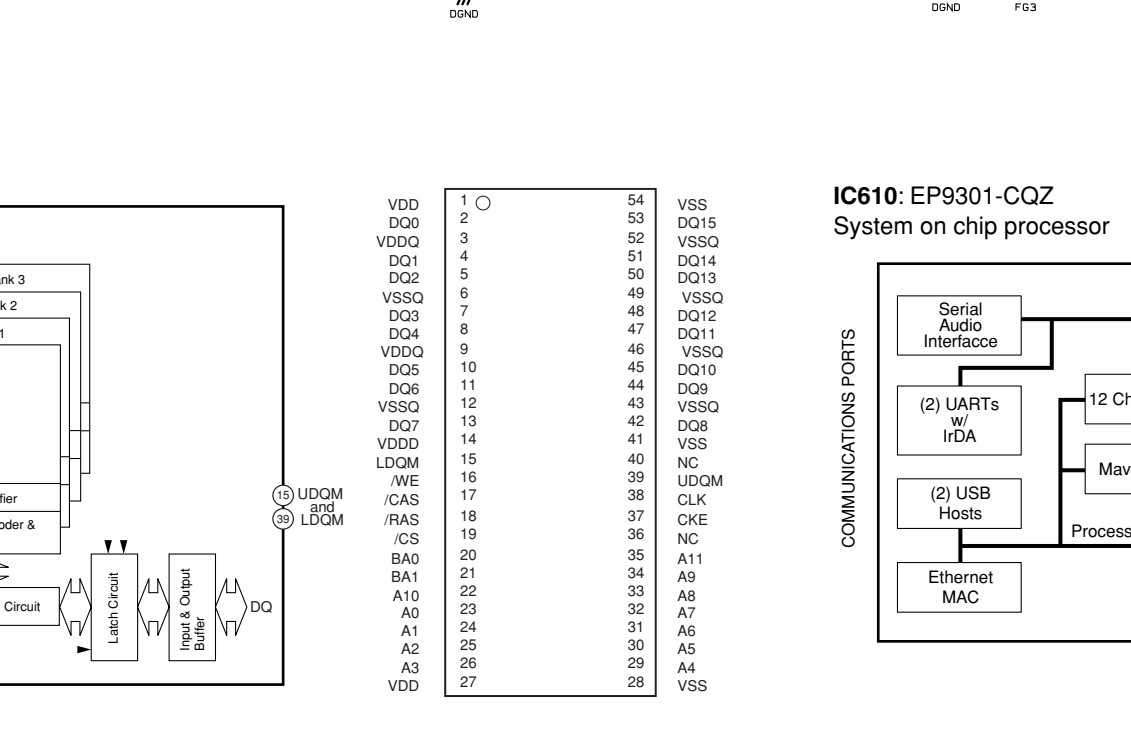
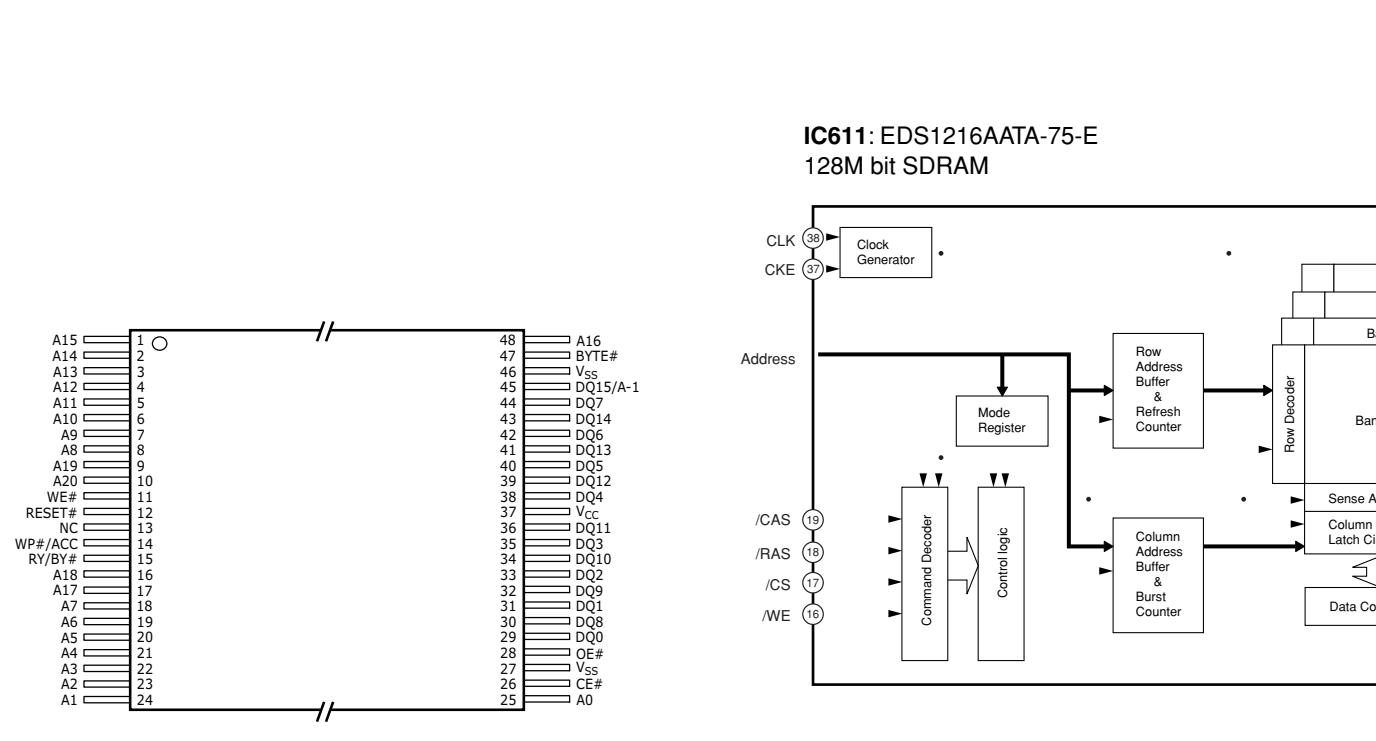
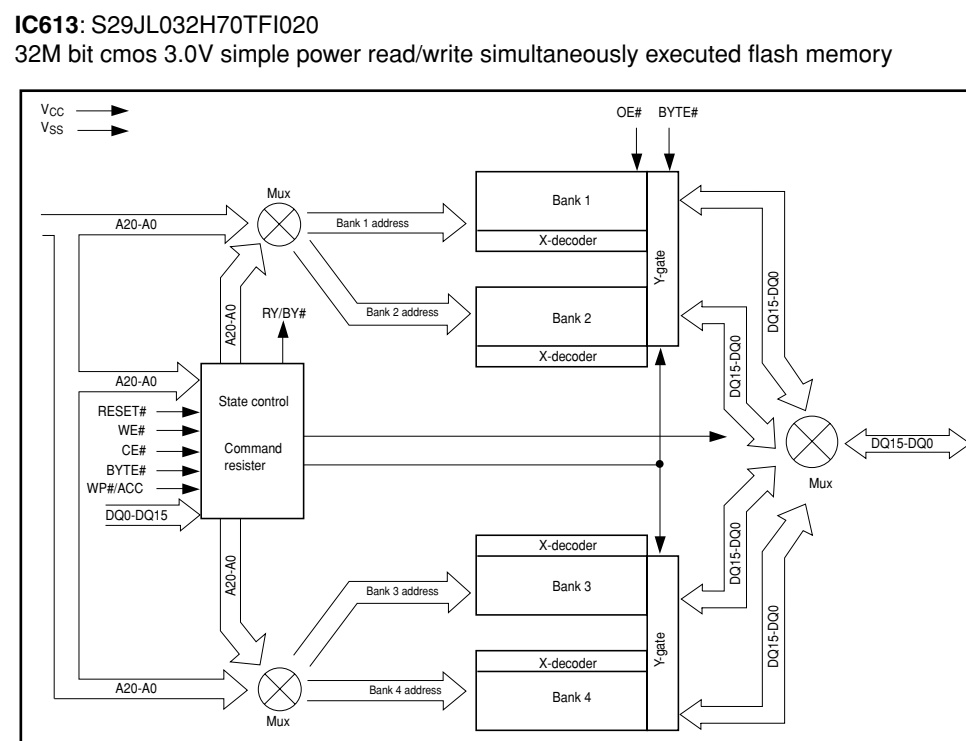
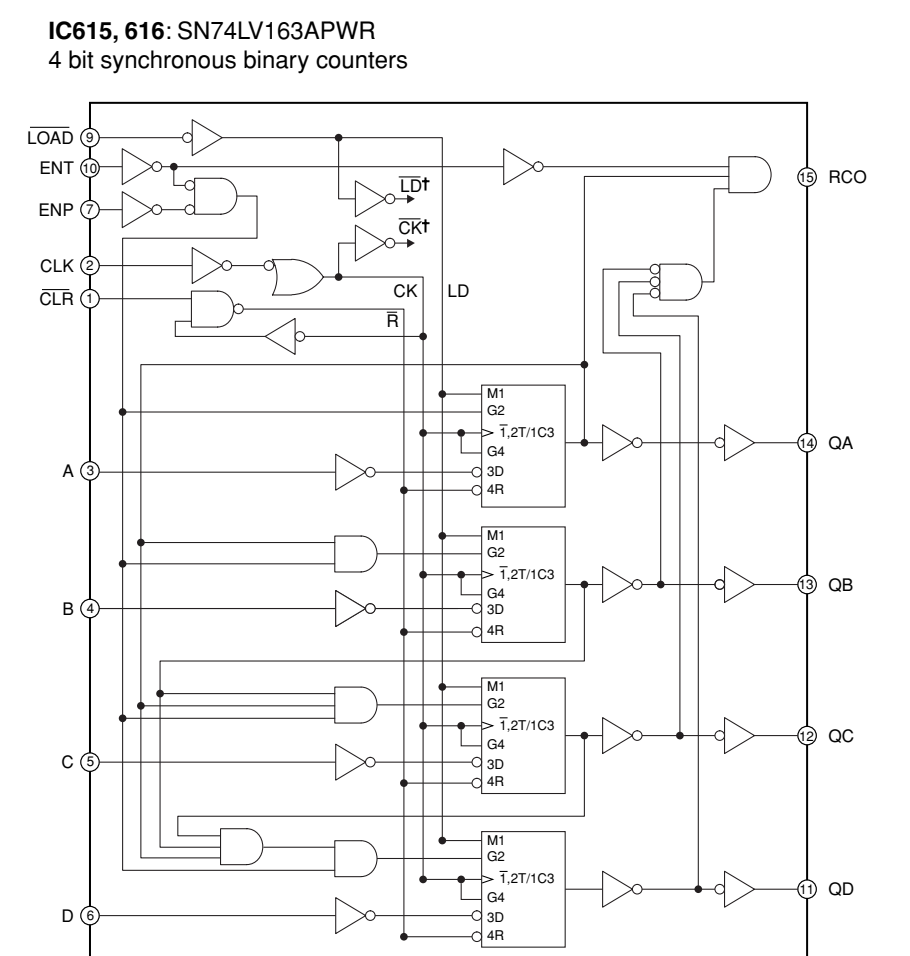
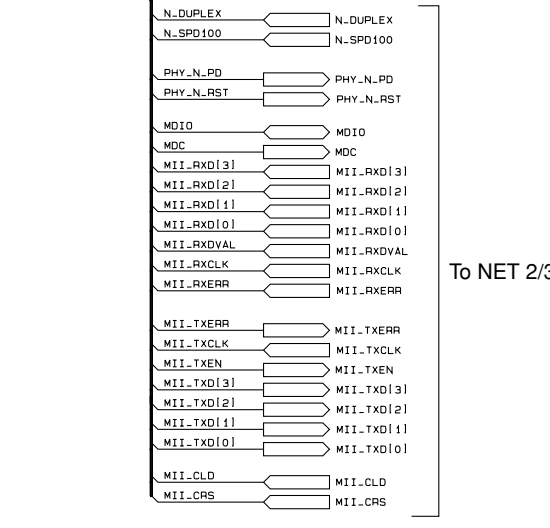
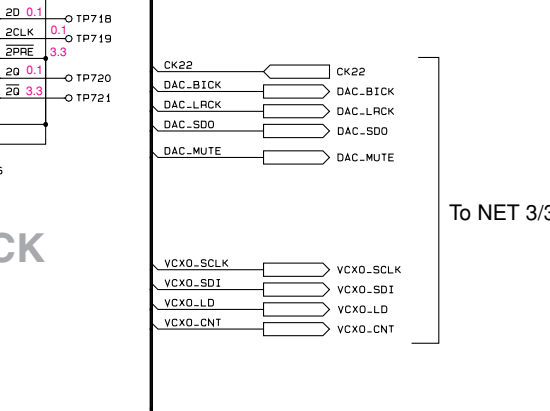
NET/13



No replacement part available.
サービス部品供給なし
(3.3V 70mA(MAX))

Interchangeable Parts at Manufacture Stage

Mark	Reference	Parts Number	Parts Name
41	IC613	SN74LVC14APWR	Hex schmitt trigger inverter

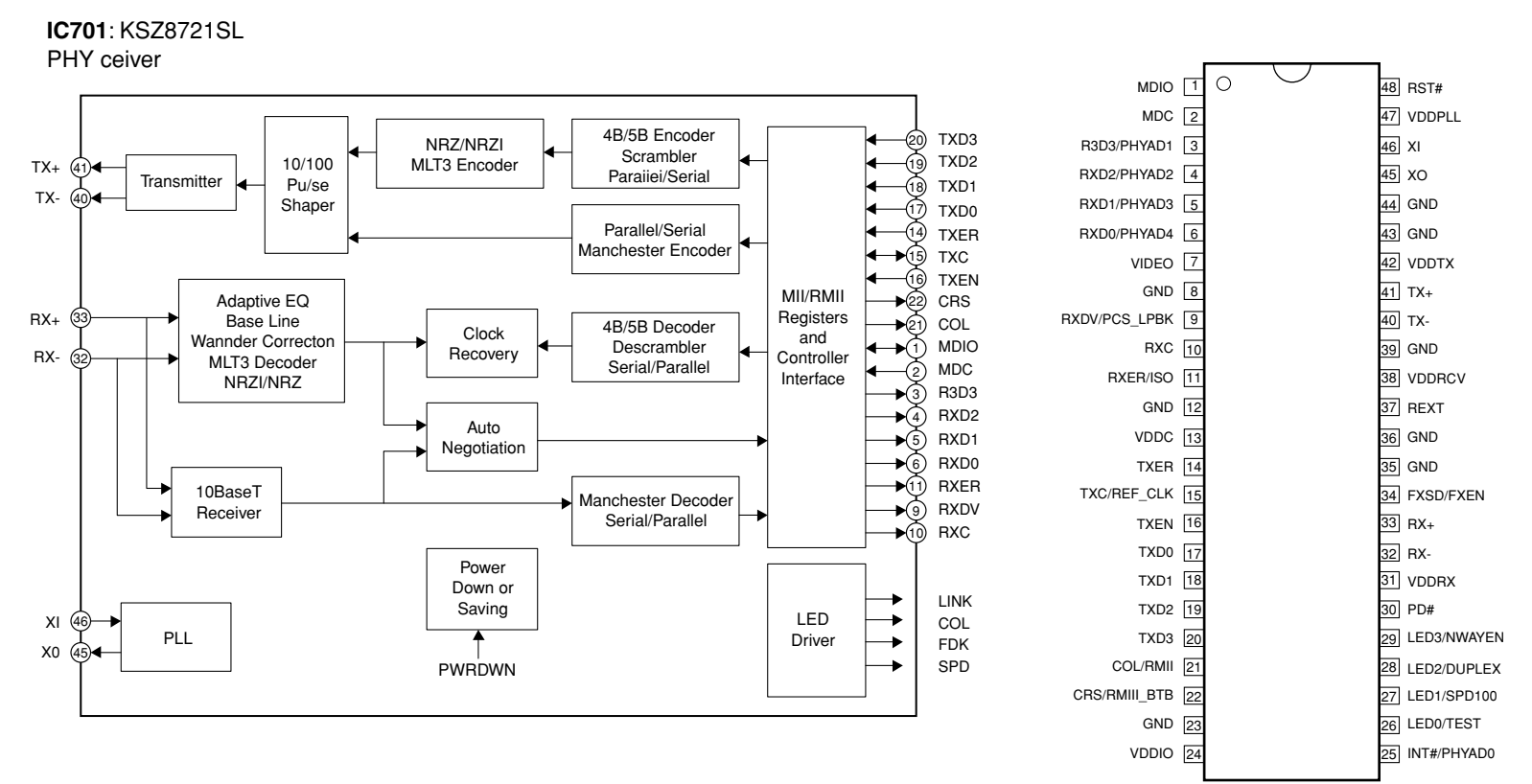
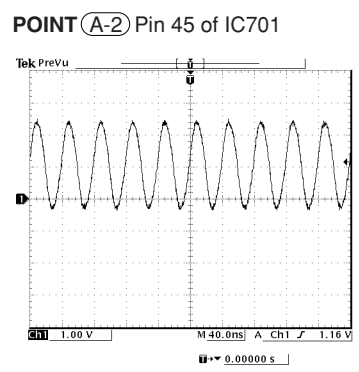
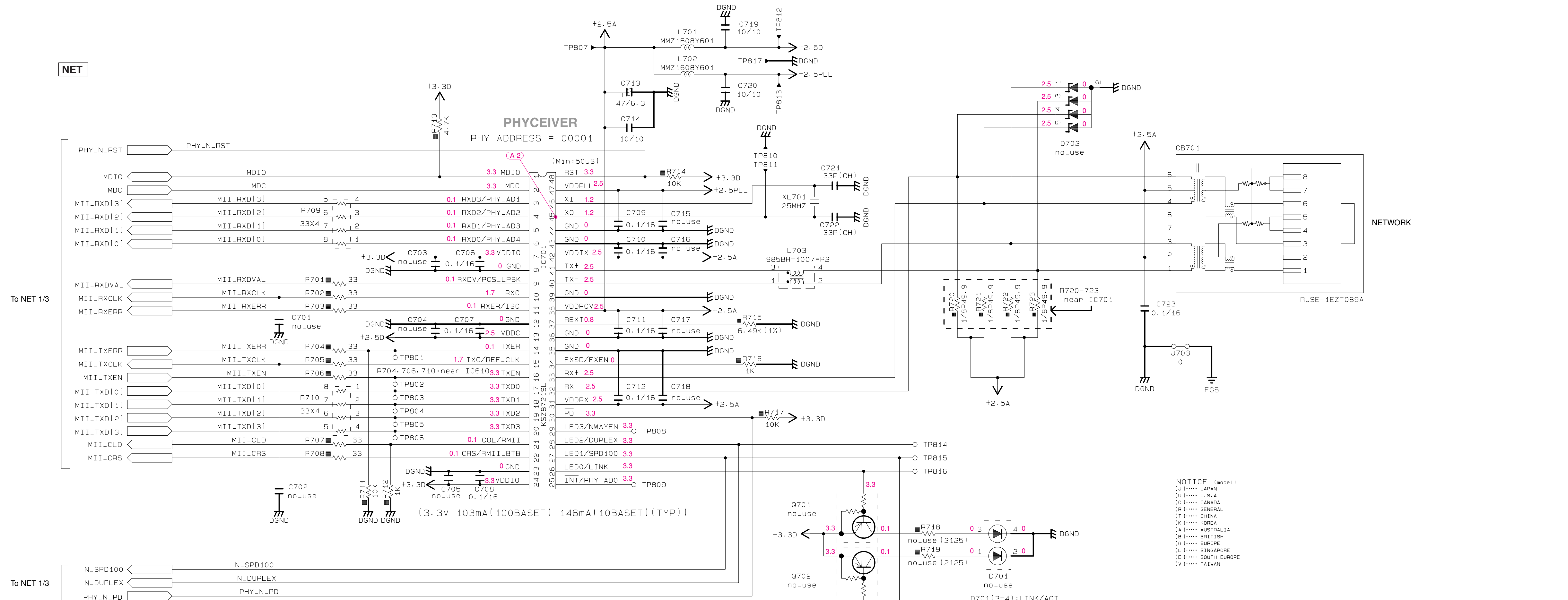


★ All voltages are measured with a 10MΩ/V DC electronic voltmeter.
★ Components having special characteristics are marked with a triangle (▲), and must be replaced with parts having specifications equal to those originally installed.
★ Schematic diagram is subject to change without notice.

● 電圧は、内部抵抗10MΩの電圧計で測定したものです。
● ▲印のある部品は、安全確保部品を示しています。部品の交換が必要な場合、パーツリストに記載されている部品を使用してください。
● 本回路図は標準回路図です。改良のため予告なく変更することがございます。

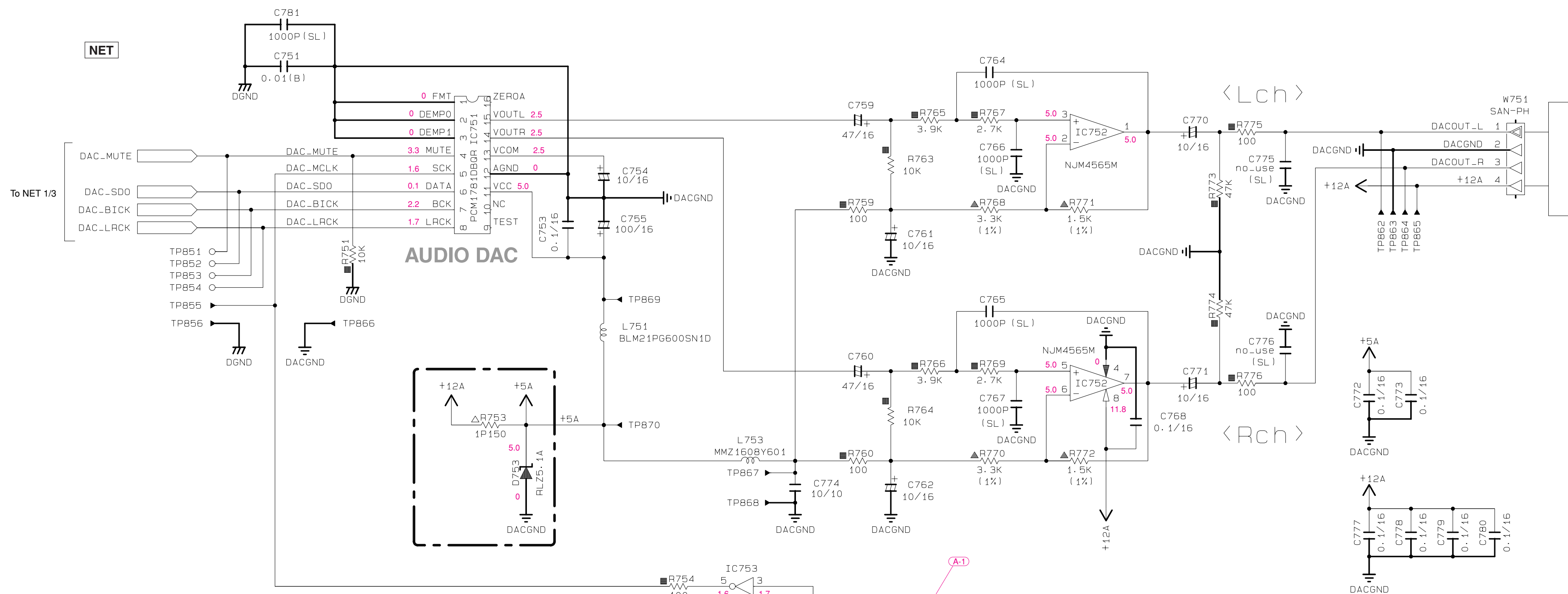
[PHYceiver Circuit]

NET



★ All voltages are measured with a 10MΩ/V DC electronic voltmeter.
 ★ Components having special characteristics are marked with a triangle (▲), and must be replaced with parts having specifications equal to those originally installed.
 ★ Schematic diagram is subject to change without notice.
 ● 電圧は、内部抵抗10MΩの電圧計で測定したものです。
 ● ▲印のある部品は、安全性確保部品を示しています。部品の交換が必要な場合、パーツリストに記載されている部品を使用してください。
 ● 本回路図は標準回路図です。改良のため予告なく変更することがございます。

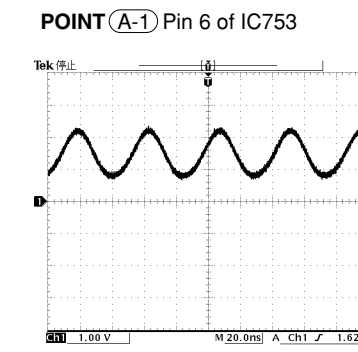
NET 3/3



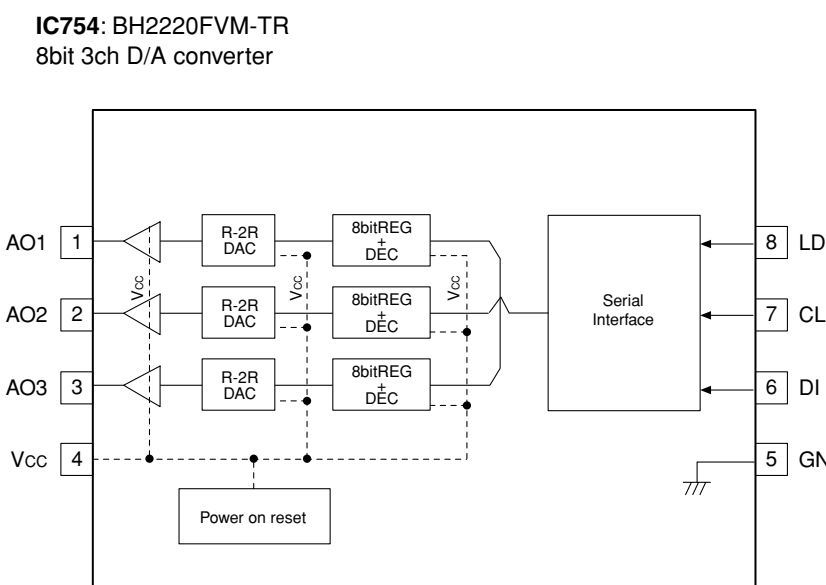
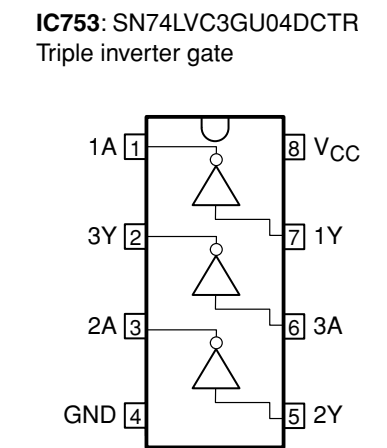
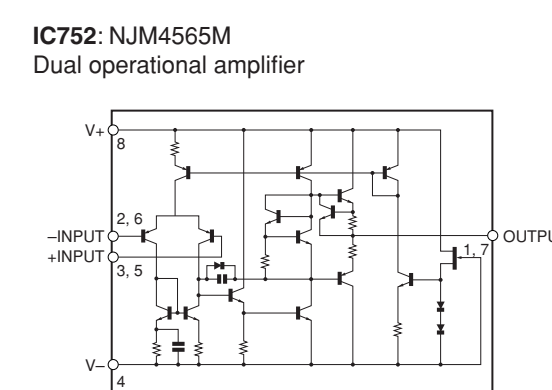
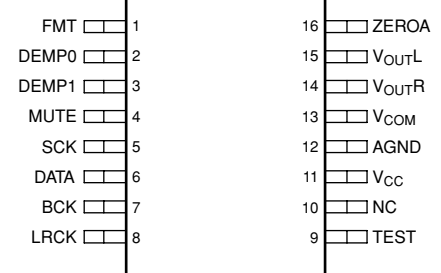
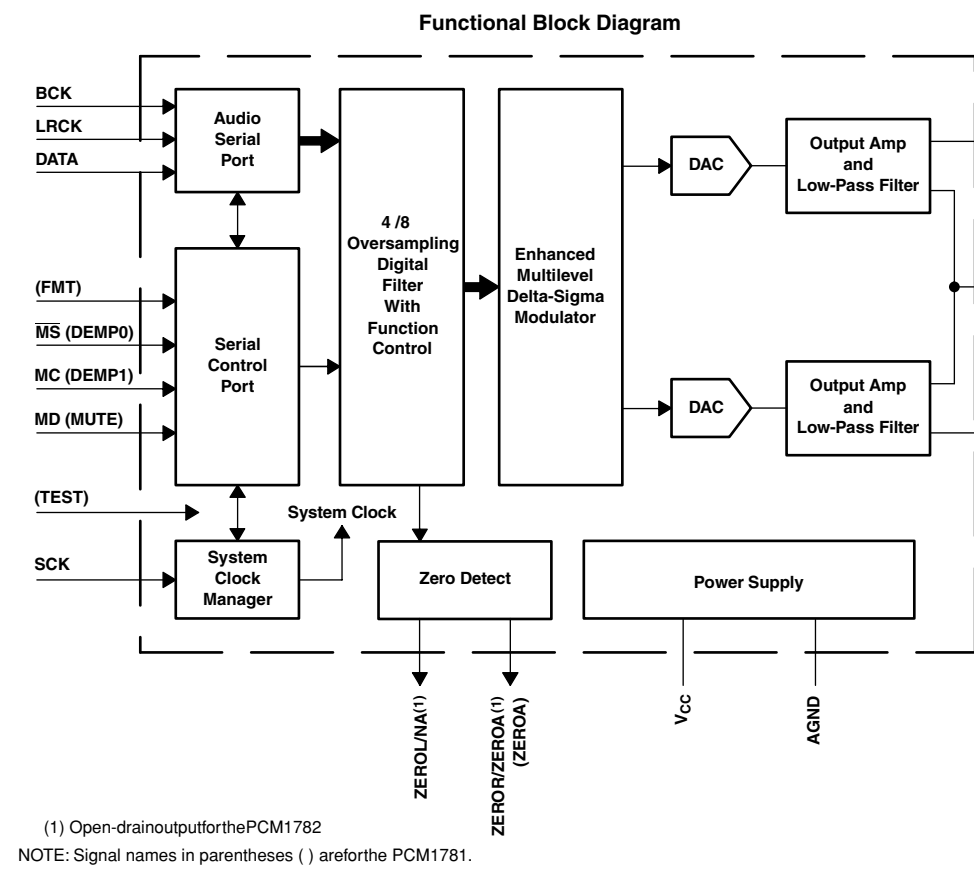
Page 111 [E1] to DSP_CB562

NOTICE (model)

(J)..... JAPAN
 (U)..... U.S.A
 (C)..... CANADA
 (R)..... GENERAL
 (T)..... CHINA
 (K)..... KOREA
 (A)..... AUSTRALIA
 (B)..... BRITISH
 (G)..... EUROPE
 (L)..... SINGAPORE
 (E)..... SOUTH EUROPE
 (V)..... TAIWAN



IC751: PCM1781DBQR Audio digital-to-analog converter



★ All voltages are measured with a 10MΩ/V DC electronic voltmeter.
 ★ Components having special characteristics are marked with a triangle (▲) and must be replaced with parts having specifications equal to those originally installed.
 ★ Schematic diagram is subject to change without notice.

● 電圧は、内部抵抗10MΩの電圧計で測定したものです。
 ● ▲印のある部品は、安全性確保部品を示しています。部品の交換が必要な場合、パーツリストに記載されている部品を使用してください。
 ● 本回路図は標準回路図です。改良のため予告なく変更することがございます。

(1) Open-drain output for the PCM1782
 NOTE: Signal names in parentheses () are for the PCM1781.